

Alcoa Wheel Service Manual

for trucks, trailers, and buses



Wheel Service Manual



January 2000

LIMITED WARRANTY

FOR HEAVY DUTY TRUCKS,
TRUCK TRAILERS AND BUSES

(Wheels with bead seat diameters measured in .5 inch increments and Alcoa tube type wheels)

Alcoa warrants to the original purchaser from Alcoa or its authorized distributor that a new Alcoa aluminum disc heavy duty truck, truck trailer or bus wheel is free from defects in material and workmanship. Alcoa agrees, without charge, to repair or replace a wheel which fails in normal use and service because of defects in material or workmanship. Wheels are warranted for 60 months from date of manufacture as shown on the wheel. Alcoa bus mount wheels (10-hole, 11.25 inch bolt circle, 8.670 inch hub bore with 1.22 inch diameter bolt holes) used in transit service are warranted for 120 months from date of manufacture. Alcoa does not warrant and will not repair or replace or make adjustment with respect to normal wear or for any wheel which has been damaged or subjected to misuse or abuse including, without limitation, the following:

- (a) Using a tire which is improperly sized according to standards recommended by Alcoa or the Tire and Rim Association, Inc.
- (b) Loading beyond the applicable maximum wheel load as specified by Alcoa;
- (c) Inflating beyond the applicable maximum as specified by Alcoa;
- (d) Changing the original condition of the wheel by alteration or by subjecting it to processing, such as heating, welding, straightening or machining;
- (e) Accidents, abnormal or severe operating conditions; or
- (f) Failure to follow recommended maintenance on the wheel as set forth in Alcoa's Heavy Duty Wheel Service Manual, Alcoa Technical Bulletins and other Alcoa literature. Recommended maintenance includes, without limitation, periodic cleaning, polishing, valve replacement, and rim flange wear inspections and procedures.

THERE IS NO WARRANTY THAT THE WHEEL SHALL BE MERCHANTABLE OR SATISFACTORY FOR ANY PARTICULAR PURPOSE. NOR IS THERE ANY OTHER WARRANTY, EXPRESSED OR IMPLIED, ON THE WHEEL.

ALCOA SHALL NOT BE LIABLE FOR ANY INCIDENTAL OR CONSEQUENTIAL DAMAGES FOR ANY BREACH OF WARRANTY, ITS LIABILITY AND THE PURCHASER'S EXCLUSIVE REMEDY BEING EXPRESSLY LIMITED TO REPAIR OR REPLACEMENT OF THE WHEEL. Repair or replacement will be handled by any authorized Alcoa wheel distributor or by any Alcoa wheel representative under Alcoa's return policy. This warranty gives you specific legal rights. You may also have other rights under other applicable laws.

This warranty should be used in conjunction with Alcoa's Heavy Duty Wheel Service Manual. It is included with the Service Manual, but may appear elsewhere. If you do not have a copy of the Service Manual you may obtain one along with other specification literature by contacting Alcoa Wheel Products International at (800) 242-9898 or the address below.

Alcoa Inc.
Wheel Products International
1600 Harvard Avenue, Cleveland, OH 44105

How to use this manual

This manual is written in a style called structured text.

Throughout the manual you will find numbers which look like this (See 3-1, page 12). These numbers are cross references to other sections of the manual. The numbers (3-1) refer to section 3, subtopic 1. When you turn to page 12 you will find the section number and subtopic number under the heading in each section as shown here.

Recommendations for mounting tubeless tires.

3-1

The cross references will help you find related information in the manual. For example in section 4-1 you will read the following sentence...

"Make sure all wheel cap nuts are properly torqued—check them often (see 4-9, page 20)."

By turning to section 4, subtopic 9, on page 20 you will find information on proper torquing.

Note: The **Alcoa Heavy Duty Wheel Service Manual** contains information for proper service and operation of Alcoa heavy duty wheels. Alcoa heavy duty wheels for heavy duty trucks, truck trailers and buses are Alcoa tubeless wheels with bead seat diameters measured in .5 inch increments and Alcoa tube type wheels.

Table of Contents

▼ Section Number	Page Number ▼
1 Wheel Specifications	1
2 Inspection	3
2-1 Inspect thoroughly and frequently	3
2-2 Dimension checks	4
2-3 Mounting area.....	6
2-4 Corrosion	7
2-5 Stud holes.....	8
2-6 Disc area	8
2-7 Rim area.....	9
2-8 Rim flange wear.....	9
2-9 Gutter area.....	10
3 Alcoa 15° Drop Center for Tubeless Tires	11
3-1 Recommendations for mounting tubeless tires.....	11
3-2 Mounting tubeless tires	12
3-3 Rim width to tire matching	13
3-4 Recommendations for demounting tubeless tires.....	14
3-5 Demounting of tubeless tires	14
4 Wheel Installation	15
4-1 Recommendations for proper installation of wheels	15
4-2 Wheel cap nuts.....	15
4-3 How to measure stud standout.....	16
4-4 Stud located ball seats are spherical.....	17
4-5 Single wheel, stud located, ball seat mounting.....	17
4-6 Dual wheels, stud located, ball seat mounting	17
4-7 Dual wheels, inner steel/outer aluminum stud located, ball seat mounting.....	19
4-8 Cap nut thread engagement, stud located wheels, ball seat mounting.....	20
4-9 Tightening stud located, ball seat cap nuts.....	20
4-10 Single, dual and wide base wheels, hub piloted mounting, two-piece flange nuts.....	22
4-11 Tightening hub piloted mounting, two-piece flange nuts.....	23
4-12 Incorrect assemblies	25
5 Care and Maintenance	26
5-1 Avoid abuse	26
5-2 Keep wheel nuts tight.....	26
5-3 Lead balance weights (clip on).....	26
5-4 Do not straighten wheels	26
5-5 Owner/in-service identification	27
5-6 Valves.....	27
5-7 Maintenance against corrosion.....	27
5-8 Identification.....	28
6 Flat Base Wheel for Tube-type Tires	29
6-1 Tube-type wheel part interchangeability	29
6-2 Mounting recommendations for tubed tires	30
6-3 Mounting of tubed tires	31
6-4 Demounting recommendations for tubed tires.....	32
6-5 Demounting of tubed tires.....	32
7 OSHA Regulations	33
7-1 OSHA Regulations.....	33
8 Glossary of Common Terms	39
8-1 Glossary of Common Terms.....	39
8-2 Wheel measurement.....	41
9 Conversion Tables	42
9-1 Inch Fraction, Decimal and Millimeter Equivalents Chart (Up to 1 Inch).....	42
9-2 Conversion Formulas	43

1

2

3

4

5

6

7

8

9

1 Specifications

Alcoa aluminum disc wheel mounting dimensions are consistent with SAE Recommended Practice J694 August 98. Part numbers listed for all sizes are machine finish. Polished finishes are indicated by changing the last digit of the part number listed to one of the following: For polished outside only, part number should end in "1." For polished inside only, part number should end in "2." For polished both sides, part number should end in "3." Valve hole is on the inside.



CLASSIC TUBELESS WHEELS (round hand holes) (ENGLISH UNITS)									
Item no.	Wheel description	Maximum wheel load ¹ in lbs.	Wheel mt. lbs.	Outlet inches ⁶	Inset inches	Maximum inflation PSI—cold	Valve stem	Part number ²	
6-hole, stud located, ball seat mounting—8.750 in. bolt circle, 6.495 in. hub bore									
1.	17.5:8.75-16 ^{DC}	6070	92	6.66	4.724	126	TR-649C	889170	
10-hole, stud located, ball seat mounting—8.750 in. bolt circle, 6.495 in. hub bore									
2.	17.5:8.75-16 ^{DC}	6070	94	6.66	4.724	126	TR-649C	889070	
10-hole, stud located, ball seat mounting—11.25 in. bolt circle, 8.73 in. hub bore									
3.	22.5:7.60-16 ^{DC}	7200	69	6.28	6.92	120	TR-646D	879400	
4.	22.5:8.25-16 ^{DC}	7200	66	6.66	6.66	120	TR-646D	889410	
5.	22.5:8.00-16 ^{DC}	9000	60	6.94	6.94	190	TR-649C	899000	
6.	22.5:12.25-16 ^{DC}	11,400	62	6.6 Reversible	—	126	TR-649E	829000	
7.	22.5:12.25-16 ^{DC}	11,400	68	9.88	2.76	126	TR-649E	829060	
8.	22.5:12.25-16 ^{DC}	11,000	70	6.94	4.68	120	TR-646E	829060A	
9.	22.5:12.25-16 ^{DC}	10,000	72	— ¹	6.42	120	TR-646E	829070A	
10.	22.5:14.00-16 ^{DC}	12,900	66	6.6 Reversible	—	126	TR-649E	899000	
11.	22.5:14.00-16 ^{DC}	12,900	72	9.6	2.98	126	TR-649E	899060	
12.	22.5:14.00-16 ^{DC}	11,000	74	— ¹	6.9	120	TR-646E	899060A	
13.	24.5:8.25-16 ^{DC}	7200	64	6.6	6.94	120	TR-646D	889430	
10-hole, stud located, ball seat mounting—13.19 in. bolt circle, 10.65 in. hub bore (valve hole is on outside)									
14.	22.5:14.00-16 ^{DC}	11,000	76	— ¹	6.42	120	TR-649E	899070A	
8-hole, hub piloted mounting—275 mm bolt circle, 224.1 mm hub bore (use 2-piece flange nuts)									
15.	22.5:7.60-16 ^{DC}	7900	69	6.28	6.44	120	TR-646D	879400	
16.	22.5:8.25-16 ^{DC}	7900	60	6.66	6.82	120	TR-646D	889430	
17.	22.5:8.00-16 ^{DC}	8260	69	6.94	6.06	190	TR-649C	899400	
18.	22.5:12.25-16 ^{DC}	11,400	64	6.6 Reversible	—	126	TR-649E	829400	
19.	22.5:12.25-16 ^{DC}	11,400	67	9.88	2.76	126	TR-649E	829460	
20.	22.5:14.00-16 ^{DC}	12,900	68	6.6 Reversible	—	126	TR-649E	899400	
21.	24.5:8.25-16 ^{DC}	7900	64	6.6	6.77	120	TR-609	889400	
10-hole, hub piloted mounting—285.75 mm bolt circle, 220.1 mm hub bore (use 2-piece flange nuts)									
22.	22.5:7.60-16 ^{DC}	7900	69	6.28	6.44	120	TR-646D	879600	
23.	22.5:8.25-16 ^{DC}	7900	49	6.66	6.82	120	TR-646D	889630	
24.	22.5:8.00-16 ^{DC}	9000	60	6.94	6.04	190	TR-649C	899600	
25.	22.5:8.00-16 ^{DC}	10,000	69	—	9.42	190	TR-646E	899690	
26.	22.5:12.25-16 ^{DC}	11,400	69	6.6 Reversible	—	126	TR-649E	829600	
27.	22.5:12.25-16 ^{DC}	11,400	67	9.88	2.76	126	TR-649E	829660	
28.	22.5:12.25-16 ^{DC}	11,000	74	6.8	4.68	120	TR-646E	829660A	
29.	22.5:12.25-16 ^{DC}	11,000	74	6.24	6.42	120	TR-646E	829670A	
30.	22.5:14.00-16 ^{DC}	12,900	67	6.6 Reversible	—	126	TR-649E	899600	
31.	22.5:14.00-16 ^{DC}	12,900	79	9.6	2.98	126	TR-649E	899660	
32.	22.5:14.00-16 ^{DC}	11,000	76	6.42	6.9	120	TR-646E	899660A	
33.	24.5:8.25-16 ^{DC}	7900	67	6.6	6.77	120	TR-646D	889630	



10-hole, hub piloted bus mounting—11.25 in. bolt circle, 8.670 in. hub bore (use 2-piece flange nuts)

Item no.	Wheel description	Maximum wheel load ¹ in lbs. (kilograms)	Wheel wt. lbs. (kilograms)	Outset inches ² (mm)	Inset inches (mm)	Maximum Inflation PSI—cold (KPa)	Valve stem	Part number ³
34.	22.5x8.25-15 ^{DC}	7300	53	6.66	5.82	120	TR-545D	883610
35.	22.5x9.00-15 ^{DC}	9000	57	6.91	6.04	130	TR-543C	893610
36.	24.5x8.25-15 ^{DC}	7300	62	6.6	5.77	120	TR-545D	983610

ENGLISH UNITS (METRIC UNITS)

Item no.	Wheel description	Maximum wheel load ¹ in lbs. (kilograms)	Wheel wt. lbs. (kilograms)	Outset inches ² (mm)	Inset inches (mm)	Maximum Inflation PSI—cold (KPa)	Valve stem	Part number ³
----------	-------------------	---	----------------------------	---------------------------------	-------------------	----------------------------------	------------	--------------------------

8-hole, hub piloted mounting—275mm bolt circle, 221.1mm hub bore (use 2-piece flange nuts)

37.	17.5x6.00-15 ^{DC}	5005 (2270)	20.8 (13.6)	5.24 (133)	4.37 (111)	142 (976)	TR-543C	663400
38.	17.5x6.75-15 ^{DC}	5515 (2500)	29.5 (13.4)	5.55 (141)	4.72 (120)	142 (978)	TR-543C	663470
39.	19.5x6.75RW-15 ^{DC}	5515 (2500)	37.0 (16.8)	5.55 (141)	4.72 (120)	142 (978)	TR-543C	764480
40.	19.5x7.50RW-15 ^{DC}	6615 (3000)	37.7 (17.1)	6.10 (155)	5.20 (134)	142 (978)	TR-543C	773600
41.	19.5x8.25RW-15 ^{DC}	6945 (3150)	39.9 (18.1)	6.57 (167)	5.75 (146)	142 (978)	TR-543C	783420

10-hole, hub piloted mounting—225mm bolt circle, 176.1mm hub bore (use 2-piece flange nuts)

42.	17.5x6.00-15 ^{DC}	5515 (2500)	20.0 (12.7)	5.21 (133)	4.49 (114)	142 (978)	TR-544D	663200
-----	----------------------------	-------------	-------------	------------	------------	-----------	---------	--------

10-hole, hub piloted mounting—285.75mm bolt circle, 220.1mm hub bore (use 2-piece flange nuts)

43.	19.5x6.75RW-15 ^{DC}	5515 (2500)	37.0 (16.8)	5.55 (141)	4.72 (120)	142 (978)	TR-543C	763670
44.	19.5x7.50RW-15 ^{DC}	6615 (3000)	37.7 (17.1)	6.10 (155)	5.20 (134)	142 (978)	TR-543C	773600
45.	19.5x8.25RW-15 ^{DC}	6945 (3150)	39.0 (17.7)	6.57 (167)	5.75 (146)	142 (978)	TR-543C	783600

10-hole, hub piloted mounting—335mm bolt circle, 281.2mm hub bore (use 2-piece flange nuts)

**46.	22.5x8.25-15 ^{DC} (32mm bolt hole)	7830 (3550)	55.1 (25.0)	6.69 (170)	5.71 (145)	138 (952)	60MS-27N	884550
**47.	22.5x9.00-15 ^{DC}	7830 (3550)	55.1 (25.0)	6.69 (170)	5.71 (145)	138 (952)	60MS-27N	884580
**48.	22.5x9.00-15 ^{DC}	8820 (4000)	58.0 (26.3)	6.93 (176)	6.02 (153)	142 (978)	60MS-27N	894530
**49.	22.5x9.00-15 ^{DC} (32mm bolt hole)	8820 (4000)	57.1 (25.8)	6.93 (176)	6.02 (153)	142 (978)	60MS-27N	894550
50.	22.5x13.00-15 ^{DC}	11,000 (4988)	75.0 (34.0)	—	6.10 (155)	120 (827)	TR-543	833570A

Do not exceed maximum wheel load. Do not overinflate. Valve hole is on the inside unless noted otherwise.

¹Capacity ratings are dual or single in highway service—bias ply or radial. Load ratings in lbs. for items 37 through 50 rounded to nearest multiple of 5.

²Some wheels may bear part numbers not shown in this manual. Before servicing these wheels contact your Alcoa Wheel Representative for proper load, inflation and part compatibility information.

³Outset (Positive)/Inset (Negative) — The distance from the rim centerline to the mounting face of wheel. Inset (negative) places the rim centerline inboard of the wheel mounting face and outset (positive) places the rim centerline outboard of the wheel mounting face (1/2" dual spacing — offset).

*These wheels must be installed only in the inset position because spherical ball seats are on only one side of the disc.

**Indicates Alcoa New Generation wheels.



2 Inspection

Inspect thoroughly and frequently

2-1

Safe operation requires thorough examination of wheels, both on and off the vehicle, and attachment hardware at frequent intervals.

Wheels that have been in service need to be inspected at regular intervals to assure proper and safe performance.

Like tires and other vehicle components that work hard, wheels will eventually wear out. It isn't always possible to predict exactly when the useful life of a wheel will end. But generally, older wheels and wheels operating in extreme conditions should be examined more frequently for obvious signs that they should be removed from service.

As an aid to the owner in determining the period of time a wheel has been in service, it is recommended the owner stamp an "in service" date onto the wheel at the time he receives it. See 5-5, page 27 for recommended stamping locations.

Pay particular attention to front-end assemblies. Examine all exposed areas frequently. Clean wheels and look for cracks or other damage. Also check the inner dualed wheel when the outer wheel is removed.

During tire changes, thoroughly examine the entire wheel. Pay particular attention to the rim contour and the surfaces of the rim. On tube-type wheels, carefully inspect the gutter area normally concealed by the side rings.

Be sure that the best wheels are on the front of the vehicle.

Hidden damage

Some forms of wheel damage can be hidden beneath the tire, so whenever a tire is removed, thoroughly examine the complete wheel. Remove all grease and road dirt. Use a wire brush or steel wool to remove rubber from the bead seats.

Check mounting holes for the enlargement and elongation which can occur if the cap nuts are not kept tight (see 2-5, page 8). Dirt streaks radiating from stud holes may mean that the cap nuts are loose (see 4-9, page 20).

Dimension checks

2-2

Open side circumference check



WARNING

Warning Wheels that have been subjected to a high pressure tire and rim separation (or other abuse) may no longer have sufficient dimension and contour to retain tire bead while under pressure.

Rims which lack proper dimension and contour can lead to explosive separation of tire and rim, causing injury or death.

Follow dimension check procedures described in this section during each wheel inspection. Remove any substandard wheel from service.

The circumference of the bead seat on the open side of the wheel should be checked with each tire change. The open side is the side opposite the disc face. In the case of center flange wide base wheels, or wheels with Insets less than 3 inches, both rim flanges should be checked. Measure the circumference of the bead seat on the open side (see illustration below) with a ball tape. Ball tapes used for measuring wheel circumference can be purchased from the Tire and Rim Association, Inc., 175 Montrose West Avenue, Copley, Ohio 44321.



If the circumference of the bead seat does not match the required dimension as indicated by the ball tape, remove the wheel from service. Be sure to clearly mark the wheel as out-of-service or otherwise render the wheel unusable.

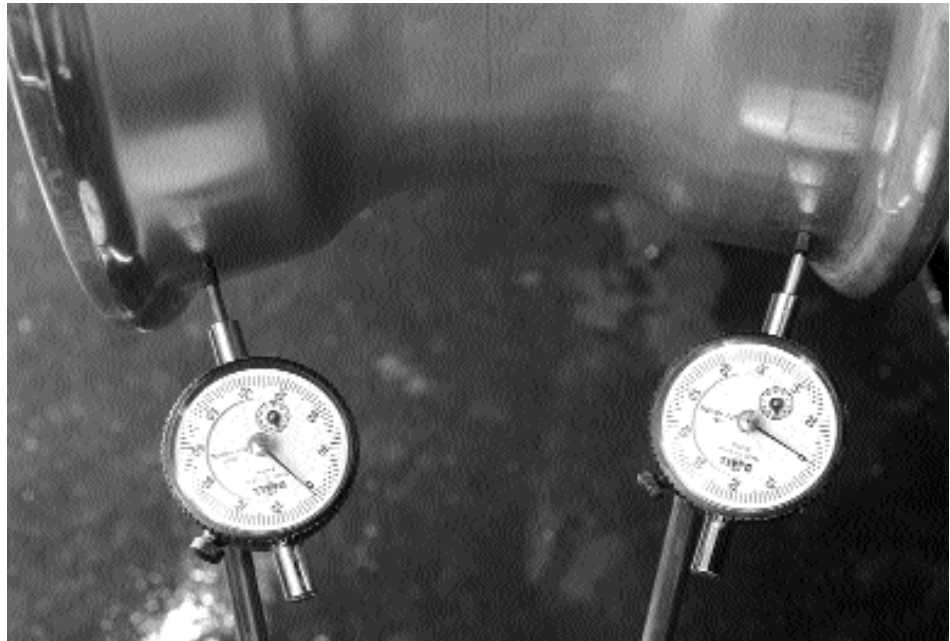
Continued on the next page

Dimension checks (continued)

Tire wear or ride problems

If you experience tire wear or ride problems it may be helpful to check radial run out. Remove the wheel from the vehicle, deflate and remove the tire (see 3-5, page 14 for recommendations and instructions for demounting tubeless tires and 6-5, page 32 for recommendations and instructions for demounting tube-type tires).

Remount the wheel on the vehicle without the tire. Be sure to follow proper mounting procedures to assure the wheel is well centered on the hub. Place a dial indicator as illustrated below to trace the bead seats of the wheel. Rotate the wheel noting the amount of variation shown on the dial indicator. Note: Alcoa aluminum wheels should be tested for radial run out only at the bead seat surface. A total indicator reading of .045 inches is acceptable.



Tire wear can also be caused by improperly seated tires. Inspect the tire for proper seating on the wheel. The tire beads may not be seated properly. If so, remove the wheel from the vehicle, deflate and break the bead seats (see 3-5, page 14 for recommendations and instructions for demounting tubeless tires and 6-5, page 32 for recommendations and instructions for demounting tube-type tires). Adequately lubricate the bead seats and properly reseal the tire beads. Reinflate the wheel in a safety cage or other suitable restraint (refer to OSHA rule 1910.177, paragraph b, see Section 7, page 33).

Mounting area

2-3

Stud hole cracks are usually caused by improper torquing (see 4-9, page 20 and 5-2, page 26), excessive loading or insufficient mounting flange support by the hub or brake drum. Remove wheel from service.



Shown below are stud hole cracks emanating from stud hole to stud hole. Causes are: undersized diameter of wheel support surface (see specifications below), support surface not flat, incorrect attachment parts (see 4-12, page 25) and insufficient torque (see 4-9, page 20 and 5-2, page 26). Remove wheel from service.

Support surface should be flat to the diameter recommended on the chart on the following page.



Inspect the hub/drum contact area thoroughly for cracks or other damage.

Mounting area (continued)

Support surface diameters

Support surface (backup diameter) should be flat to the diameter recommended on the chart below:

Number of Bolts	Bolt Circle	Mounting Type	Backup Diameter	Thread Size
10	11.25 inch	U.S. Stud pilot	13.2-13.5 in.	.750/1.125 in.
10	285.75mm	Hub pilot	13.2-13.4 in.	22mm
10	335mm	Hub pilot	15.0-15.2 in.	22mm
8	275mm	U.S. Stud pilot	13.2-13.5 in.	22mm
8	275mm	ISO Hub pilot	12.4-12.6 in.	20mm

Corrosion

2-4

Due to aluminum's natural resistance to corrosion, Alcoa aluminum disc wheels do not need to be painted for most operating conditions. However, certain environments can lead to corrosion. Some of these are: salt, chloride compounds used for snow removal and highly alkaline materials. If the air used to fill tubeless tires, or the tire itself, is not dry, the areas of the wheel under the tire can corrode severely.

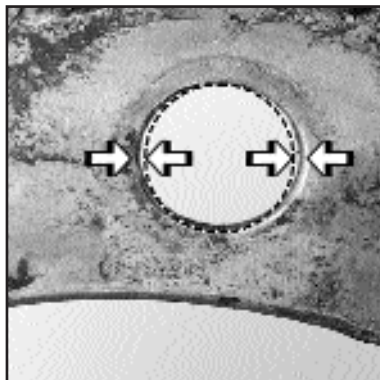


Bead seat and valve stem corrosion often are caused by entrapped moisture which contains corrosive elements. Mild corrosion should be removed thoroughly by wire brush and the rim protected with a coating of non-water-based lubricant (see 3-1, page 11). Remove any severely corroded wheel from service.

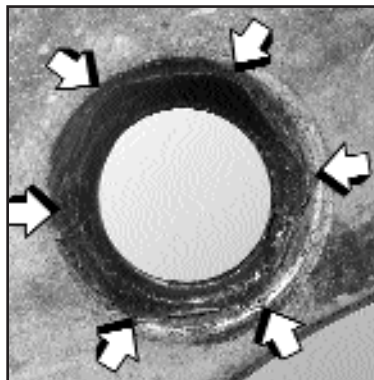
Stud holes

2-5

If wheels are run loose, both stud located wheels and hub piloted wheels can be damaged. Look for wallowed out or elongated ball seats on stud located wheels. On hub piloted wheels look for elongated stud holes. Over torquing can lead to damaged ball seats on stud located wheels and can damage the disc surface of hub piloted wheels. Remove damaged wheels from service.



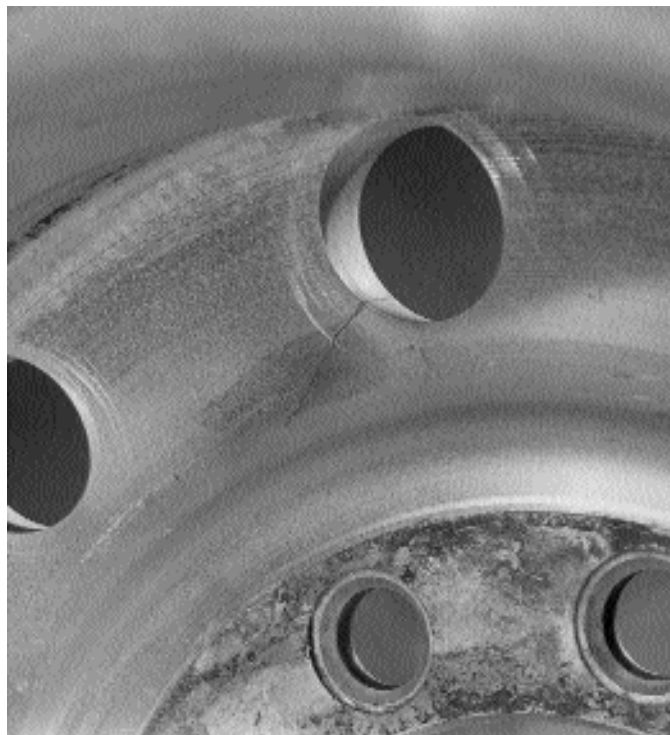
Damages hub piloted bolt hole. Elongation from true round (dashed circle) indicated by arrows.



Damaged ball seat contact area. Pounding of stud on ball seat contact area identified by arrows.

Disc area

2-6



Inspect both sides of disc area for hand hole cracks. If cracks are found, remove wheel from service.

Rim area

Check the entire rim area for nicks, gouges and cracks. Loss of air may be caused by cracks in areas around the valve stem hole. Wheel should be removed from service.

2-7



Rim flange wear

Irregular wear on the surface of the rim flange is caused by the chafer and side wall area of the tire working on the surface of the rim flange. Remove from service when rim flange wear is excessive. Excessive wear can be determined using an Alcoa approved wear gauge and procedures. Contact Alcoa for availability. If rim flange wear becomes sharp and/or cuts the tire, contact Alcoa for recommended maintenance procedures.

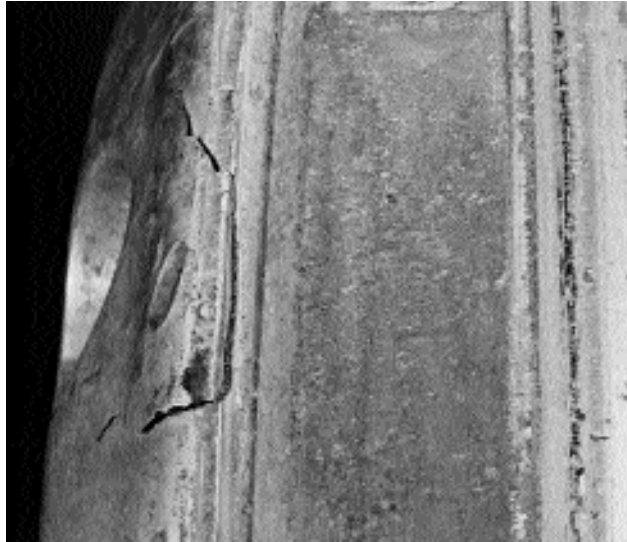
2-8



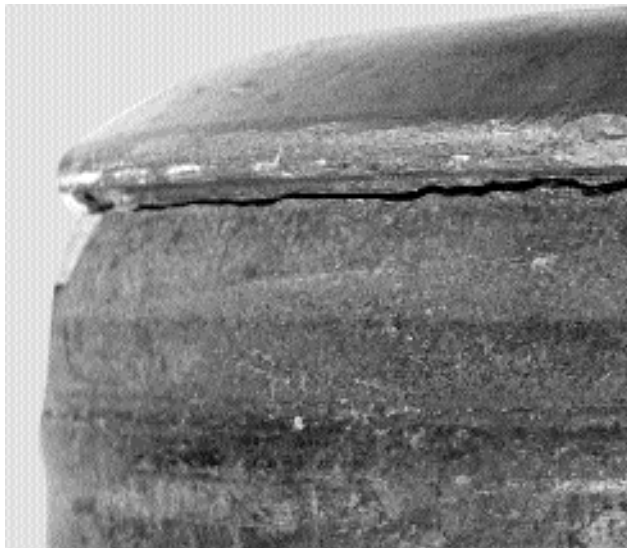
Gutter area

Projections on the side of the wheel gutter area can cause uneven seating of the side and lock ring and chipping of the gutter. Such projections must be removed. Remove wheel from service if damaged.

2-9



Cracking in bottom of gutter flange. Occasionally, circumferential cracks may appear in the bottom of the gutter area. This area should be thoroughly cleaned and carefully inspected after a tire is removed from the wheel. Also check the side underneath gutter flange for circumferential cracks. Gutter flange cracks can ultimately lead to the separation of the rim area from the disc. Immediately remove from service a wheel that exhibits any cracks.



3 Alcoa 15° Drop Center Wheel for Tubeless Tires

Recommendations for mounting tubeless tires

3-1

NOTICE: For complete information on tube type wheels, contact Alcoa.

NOTICE: Alcoa aluminum 19.5"RW and non-symmetrical well wide base wheels require special tire mounting techniques, See Section 3-2.



WARNING Use of inner tubes in tubeless wheels will hide slow leaks. Slow leaks may indicate cracked or damaged wheels which lead to wheel failures.

WARNING

Wheel failures can cause accidents which may result in serious injury or death.

Never use an inner tube on an Alcoa tubeless wheel, and always remove cracked or damaged wheels from service.

1. Do not gouge or nick the wheel. Place aluminum wheels on a clean wooden floor or rubber mat when hand mounting tires.
2. Always use a rubber, leather-faced or plastic mallet.
3. Inspect the wheel for damage. Do not use a damaged or severely corroded wheel. (See Section 2, page 3.)
4. Clean the wheel face with mild detergent and the tire bead seat areas with a wire brush. Be sure the wheel is dry before applying tire lubricant.
5. Inspect the tire for damage. Be sure the inside of the tire is dry before it is mounted.
6. Use of a non-water-based lubricant is recommended as a rim surface protectant and tire mounting lubricant. Coat the entire rim surface. (See 3-2, page 12).
7. Lubricate the rim and tire bead immediately before mounting the tire. Do not use any lubricant which contains water. Water-based lubricants can promote corrosion attack on the rim surface. The use of non-water-based lubricants is especially important when mounting tubeless tires as the air in the tire is contained by the seal between the bead and tire rim.
8. Never lubricate the rim or tire bead with a flammable solution. This can lead to an explosion during airing of the tire or in subsequent operation of the vehicle (see **Warning below**).
9. If using a tire mounting/demounting machine on aluminum wheels, care should be taken to prevent gouging the wheel.
10. Use only dry air for tire inflation. The use of moisture traps in the air compressor feed line is recommended.
11. Do not overinflate. Use the tire manufacturer's recommended pressure, but under no circumstances exceed cold tire pressures listed in **Section 1 Specifications** of this manual (see page 1).
12. When inflating a tire in an inflation cage or while mounted on a vehicle, always use a clip-on air chuck or threaded straight chuck and a remote valve with pressure gauge. Securely anchor the inflation cage and during inflation or handling of an inflated wheel and tire assembly, stay out of the path of potential exploding parts or air blasts.



WARNING

WARNING Use of a volatile or flammable material, such as ether or gasoline, as an aid to seating the tire beads on the wheel can lead to an uncontrolled pressure build-up in the tire and may result in an explosion.

Explosive separation of the tire and wheel can occur while seating beads in this manner, while adding air to the tire or later on the road. Loss of vehicle control can result, which can cause serious injury or death.

Use only approved mechanical or pneumatic bead seating devices.



WARNING

WARNING A pressurized tire/wheel assembly can explode and separate violently.

This violent separation can cause serious injury or death.

Always contain the tire/wheel assembly in an inflation cage during inflation.

Mounting tubeless tires

3-2

NOTICE: Not all tire mounting/demounting machines work alike. Be sure to read the operating or instruction manual for your particular machine before attempting to mount or demount tires.

NOTICE: When match mounting tires on Alcoa wheels, use the valve stem to locate the tire high point. This location can be used to insure consistent high point orientation and optimum ride quality. For dual wheel positions, position the valve stems 180° apart.

NOTICE: Alcoa aluminum 19.5"RW and non-symmetrical well wide base wheels require tires mounting and demounting over the disc side of the wheel only.



Position wheel on machine. Lubricate wheel (entire air chamber surface) and tire bead using approved lubricant. Tire beads (closest to drop center well) should be mounted over wheel flange. Push bead over flange as far as possible.



Insert curved end of tool between bead and wheel flange with tool stop against flange. In circular motion, use short successive bites to work the bead over the flange. Push down on tool as bead is worked over flange.

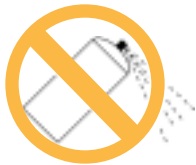


Lubricate the second tire bead. Start second bead into the well, holding it in position with the clamp to the rim flange. Lubricate bead half way around. With curved end of tool between tire bead and flange, and the stop towards the wheel, push tool outward to work tire over flange. Continue to pry bead over flange using the tool until remaining bead is over flange. Seat the tire bead using any air ring or other mechanical bead seating aid.



Place tire/wheel assembly inside safety cage or other suitable restraint (refer to OSHA rule 1910.177, paragraph b, see Section 7, page 33). Using a clip-on air chuck or threaded straight chuck and remote valve with pressure gauge, inflate the tire/wheel assembly to proper pressure. If air escapes, roll tire or use bead expander to force tire beads against rim. Be sure to stay out of the path of potential exploding parts or air blasts.

NOTICE: Alcoa aluminum 19.5"RW and non-symmetrical well wide base wheels require tires be mounted and dismantled **over the disc side of the wheel only**. For a free instruction wall chart, contact: Alcoa Inquiry Fulfillment, Markinetics Inc., P.O. Box 809, Marietta, OH 45750.



WARNING

WARNING Use of a volatile or flammable material, such as ether or gasoline, as an aid to seating the tire beads on the wheel can lead to an uncontrolled pressure build-up in the tire and may result in an explosion.

Explosive separation of the tire and wheel can occur while seating beads in this manner, while adding air to the tire or later on the road. Loss of vehicle control can result, which can cause serious injury or death.

Use only approved mechanical or pneumatic bead seating devices.



CAUTION

CAUTION The use of liquid tire balancers or sealants in Alcoa wheels may cause extremely rapid corrosion of the wheel rim surface.

Severely corroded wheels are unsuitable for service. Alcoa wheels corroded by the use of liquid tire balancers or sealants will not be replaced under the Alcoa limited warranty.

Recommendations for demounting tubeless tires

3-4



WARNING

WARNING Damaged tires or wheels can lead to an explosive separation of tires and wheels.

Explosive separation can result in serious injury or death.

Inspect tires and wheels for damage before removing from vehicle. If damage is found, tire must be completely deflated before loosening cap nuts. Remove damaged tires or wheels from service.

1. When hand demounting tires from wheels, placing aluminum wheels on a clean wooden floor or rubber mat is recommended.
2. Always use a rubber, leather-faced or plastic mallet.
3. Keep tire tools smooth. Use them with care. Rim gouges or nicks may cause cracks.
4. If using a tire mounting/demounting machine on aluminum wheels, care should be taken to prevent gouging the wheel.

3

Demounting of tubeless tires

3-5

NOTICE: Not all tire mounting/demounting machines work alike. Be sure to read the operating or instruction manual for your particular machine before attempting to mount or demount tires.



Remove the valve core from the valve stem to ensure complete deflation. Place wheel on machine and position tool so flat end can be driven between tire bead and rim flange. Straighten tool to a vertical position until bead is separated from wheel.



Repeat procedure at intervals until bead is totally separated from wheel. Repeat procedure on other side of tire. Tire is now ready for demounting. Lubricate the tire bead.



Insert curved end of tire tools between tire and wheel, approximately 10 inches apart. Pull one tool toward center of wheel, then pull second tool in the same manner. To free bead, leave one tool in position, take out and reinsert the other tool, curved end between bead and flange, a short distance from the spanned area. Pry bead free of rim, repeating process until entire bead is free from wheel.



Insert straight end of tire tool between beads and both rim flanges, hooking stop on the tool over second flange. Position inserted tool at 90° angle to tire assembly at top of wheel and lubricate bead areas on both sides of tool. Lean tire assembly toward tool and rock or bounce to pry off the tire.

4 Wheel Installation

Recommendations for proper installation of wheels

4-1

1. For the same reason the best tires are run on the front axle, the best wheels also should be used on the front axle.
2. Make sure all wheel cap nuts are properly torqued — check them often (see 4-9, page 20). If the wheel is loose, the holes will pound out (deform). If some cap nuts are tight and others are loose, the wheel may develop cracks or studs may break. Dirt streaks radiating from stud holes can indicate loose nuts (see 2-1, page 3).
3. Be sure the end of the wheel wrench is smooth or cover the wheel mounting surface with a protective shield prior to tightening the cap nuts. The wrench end will mar the wheel around the cap nuts if it is not smooth.
4. Keep all component contact surfaces smooth and clean. Dirt or projections in mounting area may lead to loose wheels. Remove all projections resulting from burrs, nicks, etc. Be sure that loose dirt does not fall into mounting area during assembly.
5. Check for and replace bent, broken, cracked or damaged studs. When replacing broken studs, replace studs on both sides of the broken stud also. If two or more studs are broken, replace all the studs for that wheel.
6. Do not introduce any foreign objects such as spacers or high hats into the contact surface areas of the mounting system unless approved by Alcoa. Do not paint Alcoa forged aluminum wheels.

Wheel cap nuts

4-2



WARNING Use of chrome-plated cap nuts which have chrome plating on the surfaces which contact the wheel can cause reduced and inconsistent wheel clamping.

WARNING

This condition can cause wheels to loosen and disengage from the vehicle, causing injury or death.

Never use cap nuts with chrome-plated contact surfaces. Use only recommended hardware on Alcoa aluminum wheels.

There are many types of nuts and studs in use, and their design and specifications are not standardized. Alcoa recommends the following cap nuts for use with Alcoa aluminum truck wheels:

Cap Nuts



2-piece 33mm hex head flange nut. Mounts single and dual wheels to wheel centering hubs. Right hand threads used on both sides of vehicle. Single wheels require 2" (50.8 mm) stud stand-out. Dual wheels require 2-13/16 (71.44 mm) stud stand-out. P/N 39701 (supercedes P/N 39691); M22-1.5 RH threads.



2 piece 1-1/16" hex head flange nut. Mounts single and dual wheels to wheel centering hubs. Right hand threads used in both sides of vehicle. P/N 39946; 5/8"x18 RH threads



2-piece 30mm hex head flange nut. Mounts single and dual wheels to wheel centering hubs. Right hand threads used on both sides of vehicle.. P/N 39708; M20x1.5 RH threads.

Continued on next page

Wheel cap nuts (continued)



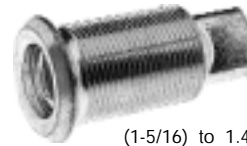
2-piece 33mm hex head flange nut. Mounts dual wheels to wheel centering hubs with 32mm bolt holes. Right hand threads used on both sides of vehicle. P/N 4307.32; M22x1.5 RH threads.



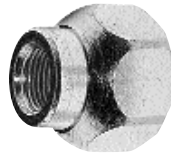
2-piece 33mm hex head flange nut. Mounts single wheels to wheel centering hubs with 32mm bolt holes. Right hand threads used on both sides of vehicle. P/N 4306.32; M22x1.5 RH threads.



1-1/8" cap nut. Mounts standard single wheels and wide base wheels to 1-1/8" studs. Also mounts outer dual wheel to 1-1/8" inner cap nut. P/N 5996R, 5996L (replaces P/N 5552R, 5552L).



Inner cap nut, inner thread 3/4"x16, outer thread 1-1/8"x16. For use with steel inner dual wheel an aluminum outer dual wheel with 1.31" (1-5/16) to 1.44" (1-7/16) stud stand-out. P/N 7896R, 7896L (Grade 8).



3/4"x16 cap nut. Mounts Alcoa wide base wheels to 3/4" studs. Do not use on steel wheels. P/N 5995R, 5995L (replaces P/N 5554R, 5554L).



Inner cap nut, inner thread 3/4"x16, outer thread 1-1/8"x16. For use with standard length studs (1.31" [1-5/16] to 1.44" [1-7/16]) stud stand-out) or longer studs not to exceed 1.88" [1-7/8] stud stand-out. Full internal and external threads. P/N 5978R, 5978L (Grade 8). For studs without exposed shoulders. Do not use with steel inner dual wheel.



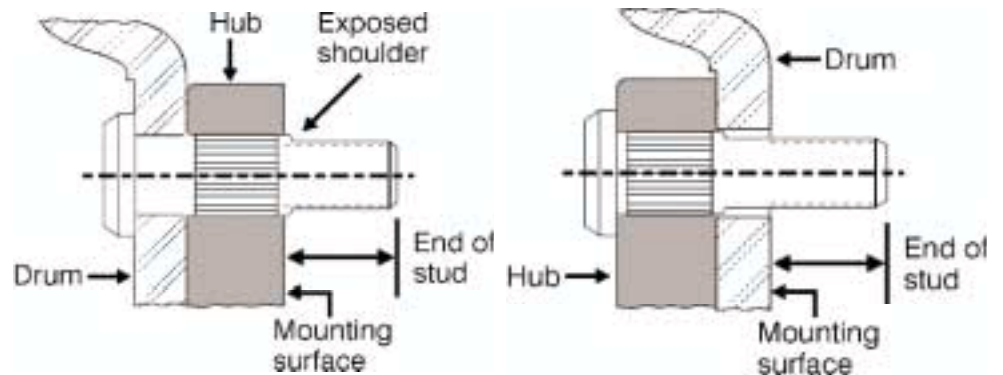
Inner cap nut for use with standard length studs (1.31" [1-5/16] to 1.44" [1-7/16]) stud stand-out) or longer studs not to exceed 1.88" (1-7/8) stud stand-out. Full internal and external threads, counter bore 5/16" deep at open end. Prevents stud from bottoming out in cap nut. P/N 5988R, 5988L (Grade 8). For use with studs with exposed shoulders. Do not use with steel inner dual wheel.

4

How to measure stud stand-out

Stud stand-out is measured from the axle end mounting surface to the end of the stud.

4-3



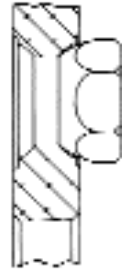
Inboard mounted drum

Outboard mounted drum

Stud located ball seat are spherical

4-4

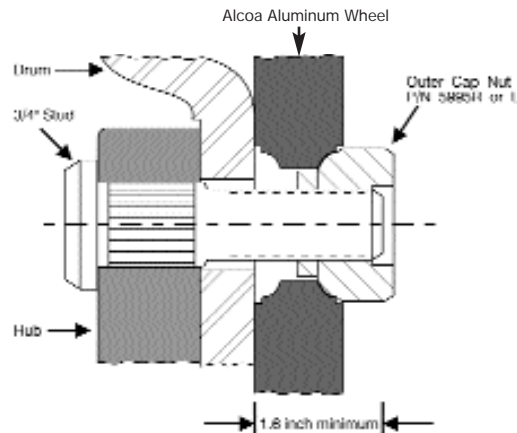
The nut seat for the stud located ball seat mounting system is a precision-machined spherical surface. Cap nuts must be properly manufactured to assure seating. Never use one or two-piece flange cap nuts on a wheel designed with ball seats (see 4-12, page 25). Ball seat cap nuts may be obtained from your Alcoa Wheel Distributor.



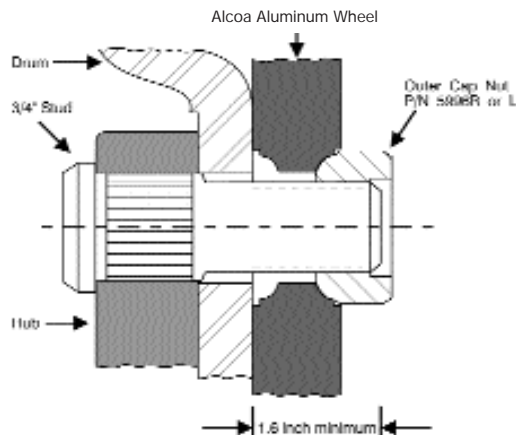
Single wheel, stud located, ball seat mounting

4-5

Front wheels are mounted as singles and require 1.6" (1-39/64") minimum stud standout. Most vehicles have large 1-1/8-inch bus-type studs on the front hubs. Alcoa single cap nuts, Part Nos. 5996R and 5996L, or equivalents, should be used. Some front hubs have 3/4-inch studs. On these hubs, use Alcoa single cap nuts, Part Nos. 5995R and 5995L or equivalents.



Correct single mounting with 3/4-inch stud located, ball seat mount.



Correct single mounting with 1-1/8-inch stud located, ball seat mount.

Dualed wheels, stud located, ball seat mounting

4-6

Rear wheels are most frequently mounted as duals. Each inner aluminum wheel is attached by 10 inner cap nuts. Alcoa recommends use of inner cap nuts 5978R, 5978L, or 5988R, 5988L (see 4-2, page 15).

Cap nuts recommended by Alcoa are compatible with Alcoa wheels. Hardware of equal dimensions and strength may be used.

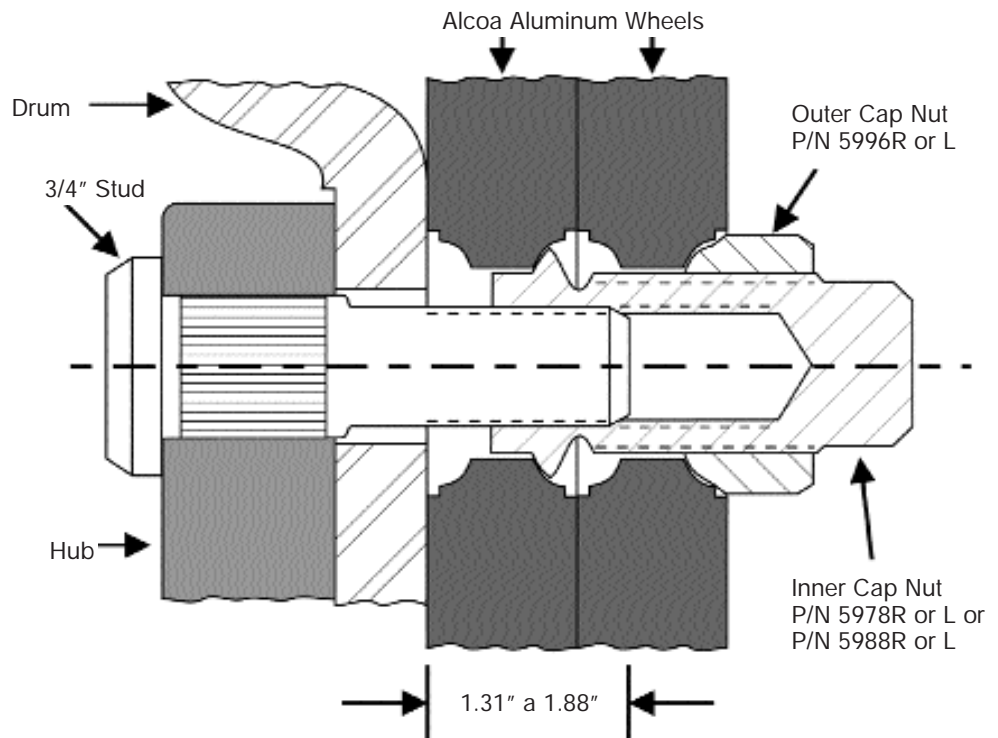
Continued on next page.

Dualed wheels, stud located, ball seat mounting (continued)

Most vehicles have standard length studs (1.31" [1-5/16"] to 1.44" [1-7/16"] stud stand out). Some vehicles use studs longer than standard (up to 1.88" [1-7/8"] stand out).

When changing types of brake drums be sure to check for excessive stud stand out (greater than 1.88" [1-7/8"]). Excessive stud stand out may cause the inner cap nut to bottom out on the longer stud preventing proper seating of the wheel.

Each outer dual wheel is attached by 10 single cap nuts which thread on the inner cap nuts. Use Alcoa outer cap nuts, Part Nos. 5996R, 5996L or equivalents. Match mounted dual wheels should be put on the vehicles with the valve stems 180° apart.



Correct dual mounting with stud located, ball seat mount.



WARNING

WARNING Incorrect inner cap nuts used with dualed aluminum wheels can bottom out on the unthreaded portion of the stud before the wheels are properly seated.

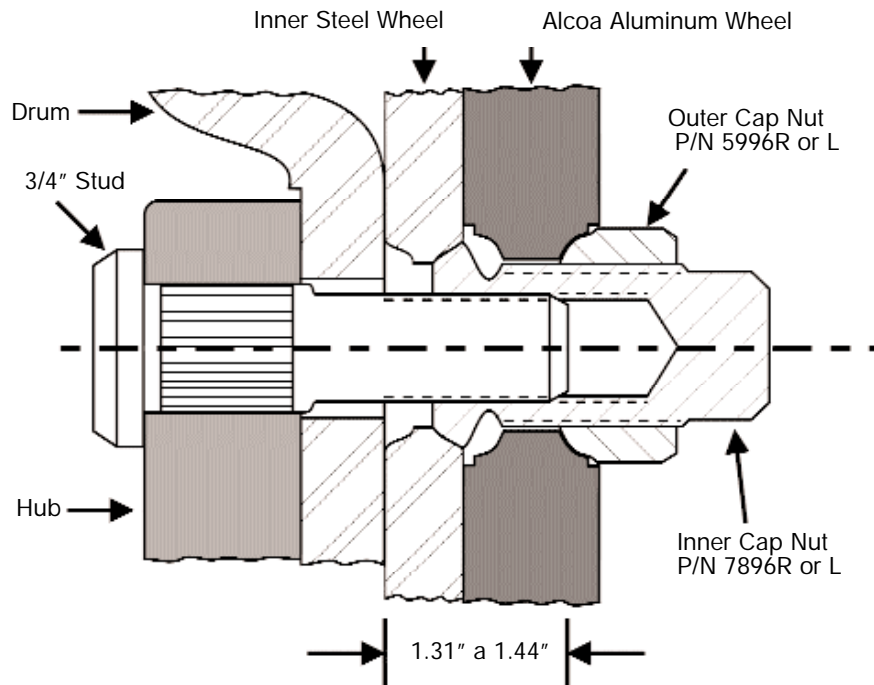
Improperly seated wheels can run loose, cause stud breakage and disengage from the vehicle which can cause serious injury or death. Loose running wheels can lead to stud breakage.

Use only cap nut 5978R or L, 5988R or L, or their equivalent when mounting dual aluminum wheels.

Dualed wheels, inner steel/outer aluminum stud located, ball seat mounting

On occasion Alcoa aluminum truck wheels are operated dualed with a steel inner wheel. In the event a steel inner wheel is used, extreme care must be exercised to properly seat it to the hub or drum prior to mounting the outer aluminum wheel. Selection of an inner cap nut capable of fixing the steel inner wheel and providing adequate external thread length to secure the outer aluminum dualed wheel is critical to a safe assembly. Alcoa recommends the use of inner cap nuts 7896R and L (Grade 8), or equivalent, for this purpose.

4-7



Correct dual mounting for inner and outer aluminum stud located, ball seat mount.



WARNING

WARNING Incorrect inner cap nuts used with steel wheels can bottom out on the unthreaded portion of the stud before the wheels are properly seated.

Improperly seated wheels can run loose, cause stud breakage and disengage from the vehicle which can cause serious injury or death. Loose running wheels can lead to stud breakage.

Use only cap nut 7896R or L or its equivalent when mounting steel inner duals.



WARNING

WARNING Inadequate wheel support surface can lead to stud hole-to-stud hole fracture resulting in separation of the outer disc and rim from the vehicle.

Separation of the wheel from the vehicle can cause injury or death.

Alcoa aluminum wheels with 11-1/4" diameter bolt circle require a support surface at least 13-3/16" in diameter. Check the outer support surface of the inner steel wheel for flatness and adequate diameter before installing the outer wheel. When wheels are serviced, check both mounting surfaces of both wheels for stud hole-to-stud hole cracks. If found, remove the wheel from service. For the support surface diameter required by other bolt circle sizes, ask your Alcoa representative.



WARNING

WARNING Use of two-piece flange nuts on ball seat wheels or ball seat cap nuts on hub piloted wheels is dangerous.

Using the wrong cap nuts can cause loss of torque, broken studs and cracked wheels, conditions which can lead to injury or death.

Use only hardware designed specifically for each wheel type. See 4-2, page 15 for proper hardware assemblies.

Cap nut thread engagement, stud located wheels, ball seat mounting

4-8

The actual length of thread engagement present in an assembled wheel can not always be determined by visual inspection or measurement of a tightened assembly. The relationship of the wheel cap nut seat to the end of the stud may vary. If there is any doubt that enough thread engagement is present, the number of engaged threads may be counted. Tighten all nuts in the regular manner, then loosen one to hand-tightness. The number of turns to disengage a 1- 1/8-inch nut should be at least five full turns. At least seven full turns should be required to disengage a 3/4-inch nut. Ideally, when torqued to the proper load, the stud should be flush with the face of the nut. The face of the nut may be recessed in nuts that are taller for improved wrenching. With most of the nuts in present use, a few unengaged threads at the outer end will cause no problem provided at least 5-7 full turns are required to disengage the nut depending on thread size.

Cap nuts made to Alcoa specification usually give more than the necessary thread engagement on a given stud.

Tightening stud located, ball seat cap nuts

4-9



The number of turns to disengage a 1-1/8-inch nut should be at least five full turns. At least seven full turns should be required to disengage a 3/4-inch nut.



WARNING

WARNING Lubricants should not be applied to the cap nut seat or to the cap nut-to-wheel contact surface.

Oiled seats can lead to over-torquing which can stretch studs causing failure of studs. Failed studs can cause the wheel to disengage from the vehicle, causing injury or death.

Lubricants must be completely removed from the cap nut seats and contact surfaces if applied accidentally.

Cap nuts must be kept tight, and studs and nuts should be checked frequently. Nuts should be retorqued if necessary. At tire changes, nuts and studs should be inspected for cracks and stripped or damaged threads. After each wheel mounting, cap nut torque should be checked with a torque wrench.

Impact wrenches, if used, should be carefully adjusted to apply torques within the limits recommended. Torquing of cap nuts should be done in recommended sequences.



ADVERTENCIA

WARNING Undertorqued cap nuts allow wheels to run loose, pounding out (deforming) the ball seats, fatiguing studs or losing nuts. Overtorquing can stretch studs causing them to fail.

Both under and overtightening can lead to wheel disengagement, causing injury or death.


Check all parts, including wheels, studs and cap nuts. Check mounting faces of wheels, hubs and drums. Check for dirt, corrosion or damage. Remove dirt and rust; replace damaged parts. Follow correct tightening sequences and torque levels.

Continued on next page

Tightening stud located, ball seat cap nuts (continued)

Stud located, ball seat mounting system.

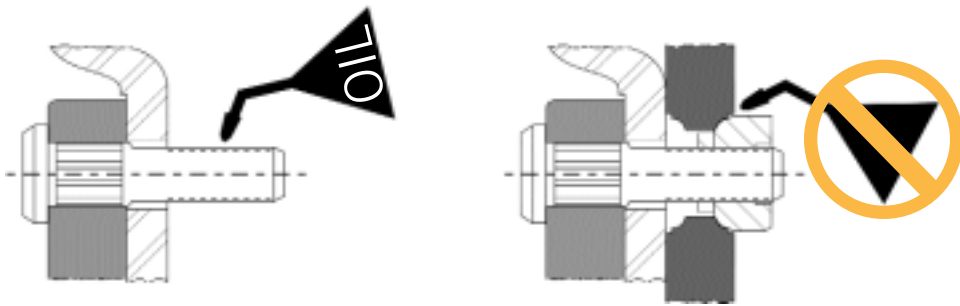
It is recommended that stud threads on stud located mounting systems be lubricated with SAE 30W oil and torqued between 350 and 400 foot-pounds. If threads are not lubricated, torque to between 450 and 500 foot-pounds. Note: when dualing steel wheels with Alcoa aluminum wheels, follow the steel wheel manufacturer's recommendations regarding the proper torque and use of thread lubricants to mount the wheel.



WARNING Application of lubricant to the ball seats can cause excessive torque. Over torque can stretch studs causing them to fail.

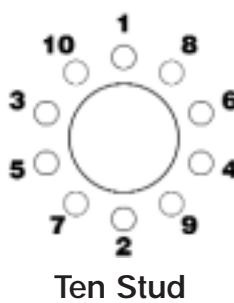
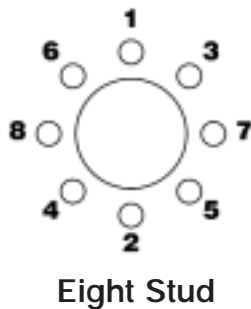
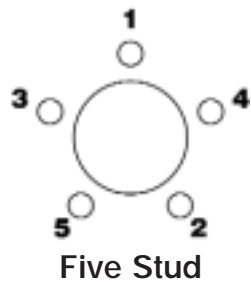
WARNING Overtorquing can lead to wheel disengagement causing injury or death.

WARNING Do not allow oil to contact ball seats or mounting surfaces of the wheel, hub or drum. Do not use aerosol cans for lubrication of stud threads.



On vehicles equipped to accept wheels manufactured for use with the stud located ball seat mounting system, wheel studs on the right side of the vehicle have right-hand threads and those on the left have left-hand threads. The "R" and "L" on the studs and nuts indicate right and left-hand threads respectively (see 4-2, page 15).

After mounting a wheel over the studs, snug up the cap nuts in the order shown in the illustrations that follow. After all the cap nuts have been snugged, tighten the cap nuts to the recommended torques, following the same tightening sequence.



Continued on the next page

Tightening stud located, ball seat cap nuts (continued)

After 50-100 miles of operation, torque should be rechecked. Loosen outer cap nuts on every other stud to check the torque on inner cap nuts, then retorque outer cap nuts. Repeat steps on remaining studs. **Check torque frequently from then on.** If nuts require frequent tightening, studs break frequently, or wheel nut seats are pounding out, hardware and mounting practices should be reviewed. Note: whenever the outer cap nut is loosened **ALWAYS** retorque the inner cap nut before retorquing the outer cap nut.

Single, dualed and wide base wheels, hub piloted mounting, two-piece flange nuts

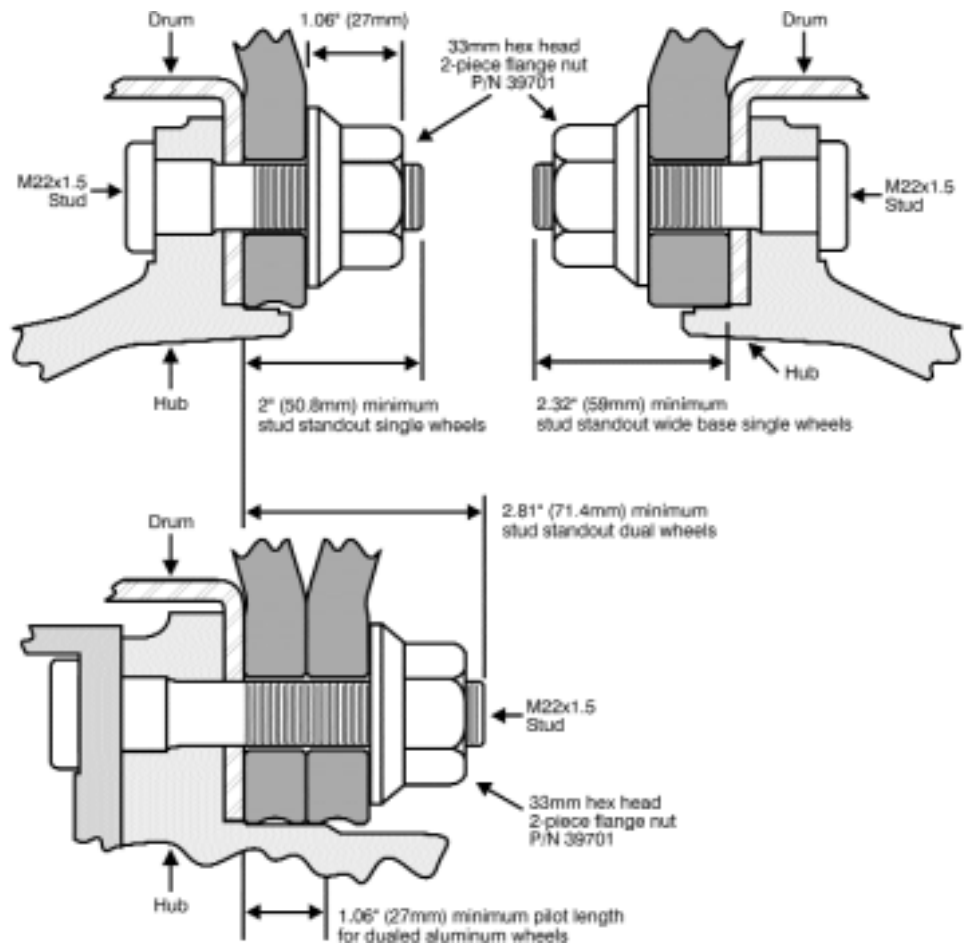
Most U.S. manufacturers of highway trucks, tractors and trailers which incorporate the hub piloted wheel mounting system require wheel studs and cap nuts which utilize metric threads. Most frequently these are of a size designated as M22x1.5.

Generally the same diameter stud is used to mount either single or dualed wheels.

Studs on both sides of the vehicle are right-hand threads thereby eliminating the need for cap nuts peculiar to either the right or left side of the vehicle. The same cap nut is used to mount dualed or single wheels. Proper stud standout for single wheels is 2-inch (50.8mm) minimum, dualed wheels require 2.81-inch (71.4mm) minimum and single wide base wheels require 2.32-inch (59mm).

Note: Some stud located ball seat wheels have the same number of holes and bolt circle diameter as hub piloted wheels. They should not be mixed.

4-10



Typical assembly of single and dual wheels of hub piloted type with 33mm hex head two-piece flange nut, Part No. 39701. If hex nuts with higher overall height are used, more stud length is required, Part No. 39691.

Continued on the next page.

Single, dualed and wide base wheels, hub piloted mounting, two-piece flange nuts (continued)

Hubs designed for steel hub piloted wheels may not have enough pilot length to locate dualed aluminum wheels. Pay close attention to pilot length, particularly when converting from steel to aluminum duals. Measure the hub pilot to make sure the hub has a minimum pilot length of 1.06-inch or 27mm for dualed wheels.

Typically, hub piloted Alcoa aluminum wheels are mounted using two-piece flange nut (Part No. 39701) with a 33mm hex head and a nut height of 1.06-inches (27mm). If nuts with higher over all height are used more stud length is required.

When mounting painted steel inner dual wheels with outer aluminum wheels, be cautious of excessive paint build-up on the inner steel wheel. Excessive paint can reduce the clamping force and allow the wheels to become loose.

Match mounted dual wheels should be put on the vehicle with the valve stems 180° apart.

4

Tightening hub piloted mounting, two-piece flange nuts

Flange nuts must be kept tight, and studs and nuts should be checked frequently. At tire changes, nuts and studs should be inspected to be sure they are in good condition. If nuts require frequent tightening or studs break frequently, hardware and mounting practices should be reviewed.

Impact wrenches, if used, should be carefully adjusted to apply torques within the limits recommended. Torquing of flange nuts should be done in recommended sequences.

4-11



WARNING

WARNING Undertorqued flange nuts allow wheels to run loose and fatigue studs or lose nuts. Overtorquing can stretch studs causing them to fail.

Both under and overtorquing can lead to wheel disengagement causing injury or death.

Check all parts including wheels, studs and flange nuts. Check mounting faces of wheels, hubs and drums. Check for dirt, corrosion or damage. Remove dirt and rust; replace damaged parts. Follow correct tightening sequences and torque levels.

Two-piece flange nuts with a 33mm hex head design (see 4-2, page 15), used with hub piloted wheels should be tightened to a torque of 450 to 500 foot-pounds. Two-piece flange nuts with 1-1/2-inch hex head design and other designs have different torque requirements. Inquire of the manufacturer for the proper torque values.

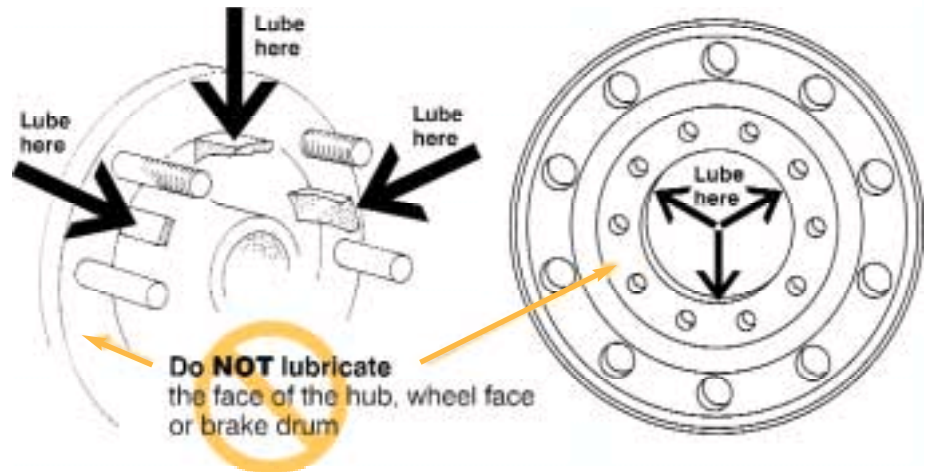
Wheel studs on both the right and left side hubs of vehicles utilizing the hub piloted wheel system have right-hand threads.

Prior to mounting hub piloted wheels, generously coat the wheel pilot or hub pads with a non-water-based lubricant to minimize corrosion product build-up between the wheel and hub pilot. Excessive corrosion build-up between the wheel and hub pilots can make wheel removal difficult. Do not lubricate the face of the wheel, hub or brake drum (see illustration on the next page).

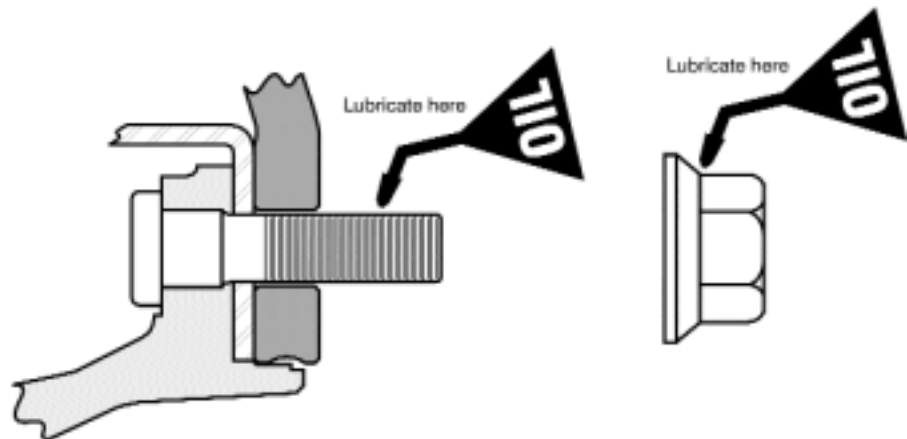
Continued on the next page.

Tightening hub piloted mounting, two-piece flange nuts (continued)

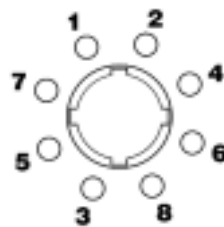
Lubricate the hub pads or the wheel hub bore generously with a non-water-based lubricant.



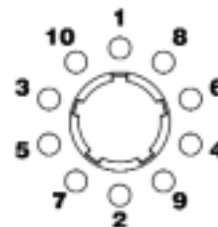
Before installing two-piece flange nuts, lightly lubricate the stud threads and the contact surfaces between the cap nut and the washer as illustrated below with an SAE 30W oil. This will minimize corrosion between the mating surfaces. Lubrication is not necessary with new hardware.



Position one of the hub's pilot pads at the twelve o'clock position. After positioning wheels on the pilot pads, hand tighten all two-piece flange nuts, then tighten to the recommended torque following the proper sequence shown below for your type wheel. After 50-100 miles of operation, torque should be rechecked. **Check torque frequently from then on.** If nuts require frequent tightening, studs break frequently, or wheel bolt holes are pounding out, hardware and mounting practices should be reviewed.



Eight Stud



Ten Stud

Incorrect assemblies

4-12



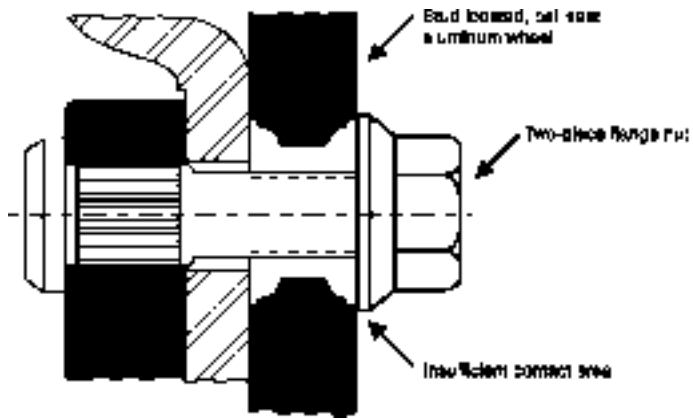
WARNING

WARNING Use of two-piece flange nuts on ball seat wheels, ball seat cap nuts on hub piloted wheels or single-piece flange nuts in place of 2-piece flange nuts is dangerous.

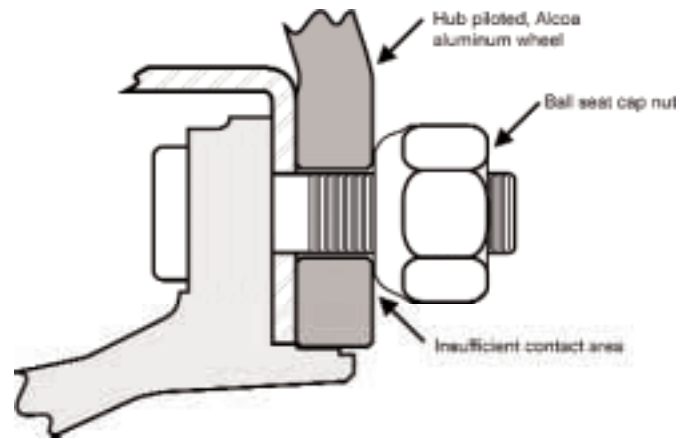
Using the wrong wheel nuts can cause loss of torque, broken studs and cracked wheels, conditions which can lead to injury or death.

Use only hardware designed specifically for each wheel type. See 4-2, page 15 for proper hardware assemblies.

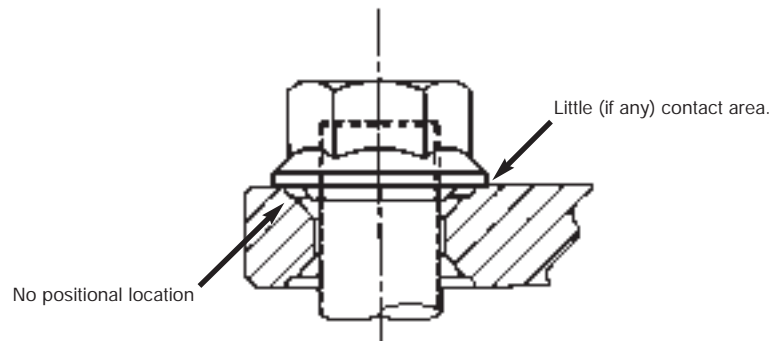
The following are examples of **incorrect** wheel assemblies.



Incorrect use of two-piece flange nut.



Incorrect use of ball seat cap nut.



Incorrect use of one-piece flange nut positioned on Alcoa ball seat wheel.

5 Care and Maintenance

Avoid abuse

Abuse can shorten the life of a wheel. Lack of care in changing a tire, heavy pounding of the wheel rim, overloading or hitting curbs at high speed or a sharp angle can damage wheels.

5-1

Keep wheel nuts tight

Wheel cap nuts must be kept tight (see 4-9, page 20). When checking the cap nuts on dual disc wheels utilizing the stud located ball seat mounting system, loosen every other outer cap nut and then check the torque of the inner cap nuts. Retorque the loosened outer cap nuts. Check all cap nuts for proper torque after the first use or any removal. Inspect wheels and check wheel nuts during service stops. (See Section 2, page 3). Dirt streaks from cap nuts may indicate looseness.

5-2

Flange nuts must be kept tight, and studs and nuts should be checked frequently. At tire changes nuts and studs should be inspected to be sure they are in good condition. If nuts require frequent tightening or studs break frequently, hardware and mounting practices should be reviewed.

The proper torque for ball seat cap nuts is between 350 and 400 foot-pounds for stud threads lubricated with SAE 30W oil and between 450 and 500 foot-pounds if threads are not lubricated. The proper torque for M22-1.5 two-piece flange nuts (33 mm hex head) is between 450 and 500 foot-pounds.

Lead balance weights (clip on)

Lead balance weights for Alcoa wheels are available from your Alcoa Wheel Distributor. With radial tires it may be necessary to reduce the tire pressure to allow clearance of the weight clamp over the rim flange.

5-3

Do not straighten wheels

Do not heat wheels in an attempt to soften them for straightening to repair damage from striking curbs or other causes. The special alloy used in these wheels is heat treated, and uncontrolled heating will weaken the wheel.

5-4

Do not rework, weld, heat or braze Alcoa aluminum wheels for any reason. This does not include normal wheel maintenance as described and approved by Alcoa.

Owner/in-service identification

5-5

Some fleets wish to specially identify wheels as to OWNERSHIP and IN-SERVICE dates. Alcoa recommends that fleets and owner-operators adopt the practice of permanently stamping wheels with the date they are first placed into service.

1. Use "Lo-Stress" stamps or equivalent.
2. Location of stamped areas on outside disc should be in space outward from a line between hand hole centers and a minimum of one inch from the periphery of any hand hole.
3. Location of stamped identification on inside of wheel should be as close to the factory identification stamping as possible.

Valves

5-6

Alcoa drop center wheels for tubeless tires come from the factory with air valves installed. If it becomes necessary to replace an air valve, install it using the following torque values.

10-14 foot-pounds for Part Nos.	7-11 foot-pounds for Part Nos.
TR 509	TR 542 Series
TR 510	TR 543 Series
TR 511	TR 544 Series
	TR 545 Series

Replacement valves may be obtained from your authorized Alcoa Wheel Distributor. Always use silicone o-rings ð not rubber ð when reinstalling valve stems. Metal valve stem caps are recommended over plastic.

Maintenance against corrosion

5-7

1. Clean frequently with high pressure water from a hose. The use of a mild detergent will speed the cleaning process. Use no harsh alkaline cleaners.

2. When tires are removed the entire wheel must be cleaned and inspected. (See Section 2, page 3). With a wire brush, remove any foreign products from the tire side of the rim. Do not use a wire brush to remove dirt and corrosion products from the appearance surface of the wheel. Generously coat the entire air chamber surface with an approved surface protectant and lubricant each time the tire is removed (See 3-1, page 11).

3. To maintain the original appearance of your Alcoa wheels, the following procedures are recommended:

a. After installing new wheels and prior to operating your vehicle, use a sponge, cloth or soft fiber brush to wash exposed wheel surfaces with a mild detergent and warm water solution.

b. Rinse thoroughly with clean water.

c. Wipe dry to avoid water spots.

d. Wax the cleaned surface with **Alcoa Advanced Aluminum Care System Polish** or Simonize, Mothers, California Gold paste wax, No. 7 Car Wax or equivalent.


e. Clean your Alcoa truck wheels as frequently as required to maintain their appearance.

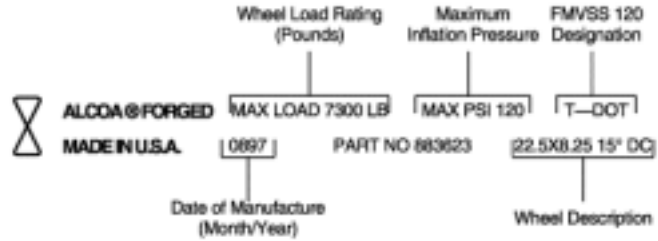
Identification

Alcoa wheel identification

5-8

Since 1977, all Alcoa aluminum disc wheels have been identified with a stamp that shows the wheel load rating, maximum inflation pressure, date of manufacture, part number, wheel description and DOT marking designation.

Prior to June 1996, all Alcoa heavy duty truck wheels had the Alcoa identification symbol  on the outside of the disc neat the hand hole in line with the valve location. This marking was phased out on heavy duty truck wheels manufactured after June 1996.



6 Flat Base Wheel for Tube-type Tires

Tube-type wheel part interchangeability



WARNING Mismatched rim/wheel components can lead to explosive separation of wheel components.

Explosive separation of wheel parts can cause serious injury or death.

See chart below for matching components.

6-1



Multipiece Rim Matching Chart

The following is the Alcoa Aluminum Wheel interchangeability information from the OSHA Multipiece Rim Matching Chart. For a complete matching chart, write to: U.S. Department of Labor, Occupational Health and Safety Administration, Publications Department, Room N4101, Washington, DC 20210

Read across the chart to find interchangeable components for specific size and type of Alcoa wheel. The information which is found in the shaded areas of the OSHA Multipiece Rim Matching Chart is represented in the table below.

Wheel Size	Wheel Type	Wheel Part	Wheel Part	Wheel Part
14.00 x 20	Flat Base	14.00 x 20	14.00 x 20	14.00 x 20
		14.00 x 20	14.00 x 20	14.00 x 20
		14.00 x 20	14.00 x 20	14.00 x 20
		14.00 x 20	14.00 x 20	14.00 x 20
14.00 x 22.5	Flat Base	14.00 x 22.5	14.00 x 22.5	14.00 x 22.5
		14.00 x 22.5	14.00 x 22.5	14.00 x 22.5
		14.00 x 22.5	14.00 x 22.5	14.00 x 22.5
		14.00 x 22.5	14.00 x 22.5	14.00 x 22.5
14.00 x 24	Flat Base	14.00 x 24	14.00 x 24	14.00 x 24
		14.00 x 24	14.00 x 24	14.00 x 24
		14.00 x 24	14.00 x 24	14.00 x 24
		14.00 x 24	14.00 x 24	14.00 x 24
14.00 x 26	Flat Base	14.00 x 26	14.00 x 26	14.00 x 26
		14.00 x 26	14.00 x 26	14.00 x 26
		14.00 x 26	14.00 x 26	14.00 x 26
		14.00 x 26	14.00 x 26	14.00 x 26
14.00 x 28	Flat Base	14.00 x 28	14.00 x 28	14.00 x 28
		14.00 x 28	14.00 x 28	14.00 x 28
		14.00 x 28	14.00 x 28	14.00 x 28
		14.00 x 28	14.00 x 28	14.00 x 28
14.00 x 30	Flat Base	14.00 x 30	14.00 x 30	14.00 x 30
		14.00 x 30	14.00 x 30	14.00 x 30
		14.00 x 30	14.00 x 30	14.00 x 30
		14.00 x 30	14.00 x 30	14.00 x 30
14.00 x 32	Flat Base	14.00 x 32	14.00 x 32	14.00 x 32
		14.00 x 32	14.00 x 32	14.00 x 32
		14.00 x 32	14.00 x 32	14.00 x 32
		14.00 x 32	14.00 x 32	14.00 x 32
14.00 x 34	Flat Base	14.00 x 34	14.00 x 34	14.00 x 34
		14.00 x 34	14.00 x 34	14.00 x 34
		14.00 x 34	14.00 x 34	14.00 x 34
		14.00 x 34	14.00 x 34	14.00 x 34
14.00 x 36	Flat Base	14.00 x 36	14.00 x 36	14.00 x 36
		14.00 x 36	14.00 x 36	14.00 x 36
		14.00 x 36	14.00 x 36	14.00 x 36
		14.00 x 36	14.00 x 36	14.00 x 36
14.00 x 38	Flat Base	14.00 x 38	14.00 x 38	14.00 x 38
		14.00 x 38	14.00 x 38	14.00 x 38
		14.00 x 38	14.00 x 38	14.00 x 38
		14.00 x 38	14.00 x 38	14.00 x 38
14.00 x 40	Flat Base	14.00 x 40	14.00 x 40	14.00 x 40
		14.00 x 40	14.00 x 40	14.00 x 40
		14.00 x 40	14.00 x 40	14.00 x 40
		14.00 x 40	14.00 x 40	14.00 x 40

Mounting recommendations for tubed tires

6-2

1. Inspect the wheel for damage. Do not use a bent, cracked, damaged or severely corroded wheel. (See Section 2, page 3).
2. Inspect ring(s) for corrosion, bending or other damage and discard if any is apparent.
3. Thoroughly clean the wheel and rings. Clean the wheel face with a mild detergent. Clean the tire bead seat areas and gutter flange with a wire brush.
4. Do not gouge or nick the wheel. Place wheels on a wooden floor or rubber mat. Always use a rubber, leather-faced or plastic mallet.
5. Inspect and clean the tire, tube, and flap before mounting ù replace if damaged, badly worn or defective.
6. Insert lubricated tube and flap in tire.
7. Lubricate the tire beads and rim, then mount tire, tube and flap assembly onto rim. Do not use any lubricant which contains water or a solvent which can injure rubber.
8. Select the proper rim components and assemble to rim (see 6-3, page 31). Discard bent, damaged or corroded side and lock rings. Do not use any side or lock ring which is not clearly identifiable.

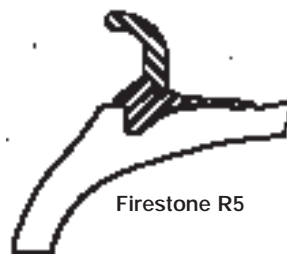


WARNING

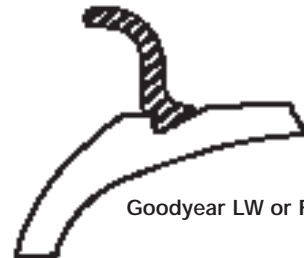
WARNING Use of a Firestone 5! side and lock ring assembly with a wheel machined for Firestone DT or Goodyear LW split side ring and vice versa can lead to explosive separation of wheel and tire.

An explosive separation of miss-matched wheel components can lead to injury or death.

Alcoa Aluminum Disc Wheels are available to accept (1) Firestone 5! side and lock rings or (2) Goodyear LW and Firestone DT split side rings. Select the proper side and lock rings by referring to the Multipiece Rim/Wheel Matching Chart on page of this manual.

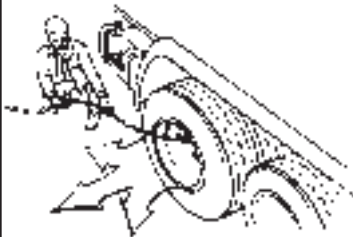


Firestone R5



Goodyear LW or Firestone DT

Always use the proper side and lock ring assembly or split side rings required for each particular wheel.



9. Do not overinflate. Use the tire manufacturer's recommended pressure, but under no circumstances exceed cold tire pressures listed in **Section 1 Specifications** of this manual (see page 1).

10. When inflating a tire in an inflation cage or while mounted on a vehicle, always use a clip-on air chuck and a remote valve with pressure gauge. During inflation or handling an inflated wheel and tire assembly, stay out of the path of potential exploding parts or air blasts.

Mounting of tubed tires

6-3

When mounting Alcoa flat base wheels for tube-type tires you must use the proper side ring or side and lock ring required for each wheel. The table below lists the Alcoa tube-type wheels currently in production and the proper side ring or side and lock ring identification recommended for each wheel. See the Multipiece Rim Matching Chart on page 1 for information on older wheels with part numbers not shown here.

Alcoa Flat Base Wheels for Tube-type Tires That Use Goodyear LW or Firestone DT Split Side Rings Only (2 Piece Assemblies)		
Wheel Size	Alcoa Part Number Identification Stamping	Side Ring Identification Stamping
22x8.00 LW	481010	R8022LW recommended or: R22X7.5-8.0-9.0LB-LW 22X7.5-8.0DT-LB-LW (3)
22x7.50 LW	471010	R8022LW recommended or: R22X7.5-8.0-9.0LB-LW 22X7.5-8.0DT-LB-LW (3)

Current Alcoa part numbers (i.e., 481010) end in 0-1-2 or 3, indicating a finish condition which does not affect the compatibility of parts as shown in the table.



Lubricate tube, flap and wheel. Insert tube and flap into tire. Place them on the wheel so that the valve is aligned with the valve slot.

Place side ring on wheel and tire and stand on the ring to position it below the lock ring groove. If a split side ring is required, start the leading edge and walk the side ring onto the wheel.



If the wheel requires a lock ring, start the leading edge of the lock ring being sure that it is seating in the machined groove. Then walk the lock ring onto the wheel, as illustrated.



Seat the second end of the split side ring or lock ring with a rubber, plastic or leather-facet mallet as shown. Check carefully to see that the split side ring or side ring and lock ring assembly is in the proper position. If not, completely remove the components and start over.



Inflate to 10 psi. Check to see that all components are properly in place. If not, deflate the tire by removing the valve core and reposition components properly. Place in a safety cage or other suitable restraining device (refer to OSHA rule 1910.177, paragraph B, see Section 7, page 33). Use clip-on chuck and stand behind barrier during inflation. Do not lean on cage. Inflate to recommended pressure. Deflate completely to avoid localized over-stretching of the tube. Reinflate to the tire manufacturer's recommended pressure.

Demounting recommendations for tubed tires

6-4



WARNING An inflated tire contains air under pressure which can be a dangerous explosive force.

Explosive separation of a tire and wheel can cause serious injury or death. Follow proper service procedures to avoid injury or death.

1. Before removing wheel from vehicle, remove the valve core from the valve stem to ensure complete deflation of tire.
2. Do not gouge or nick the wheel. Place aluminum wheels on a clean wooden floor or rubber mat.
3. Always use a rubber, leather-faced or plastic mallet.
4. Keep tire tools smooth. Use them with care. Rim gouges or nicks near the fixed flange can cause cracks.
5. Remove steel side rings carefully. If bead is well-loosened, rings can be removed without gouging the wheel.
6. Discard bent, damaged or corroded side and lock rings. Using bent, damaged or corroded rings can shorten service life of wheel and introduce the danger of an explosive separation.

Demounting of tubed tires

6-5

NOTICE: Tire must be completely deflated and valve core removed before demounting



If manually breaking the tire beads from the wheel, it is important to use the proper tools. Tire tools may be inserted next to the tire side wall and the side ring or locking ring. Tools must be smooth and used with care if gouging the rim is to be avoided. A stop, welded to the tool, is recommended



Once the tool is inserted, pry down and out as illustrated. Leaving one tool in position, work the other around the tire until the bead is completely free.



Insert the tapered end of the tire tool into the notch on the locking ring. Pry up carefully to avoid bending the ring and gouging the wheel.



Using the same procedures as outlined in Step 1, loosen the bead on the opposite side of the wheel. Do not drive tools into rim area. Lift wheel from tire.

7 OSHA Regulations

OSHA Regulations

Federal Register
Vol. 49, No. 24
Friday, February 3, 1984
Rules and Regulations

7-1

Signed at Washington, D.C., this 30th day of January 1984.
Thorne G. Auchter,
Assistant Secretary of Labor.

Part 1910-(AMENDED) Section 1910.177 is amended by revising the title to read, "SERVICING MULTI-PIECE AND SINGLE PIECE RIM WHEELS," by revising paragraphs (a), (b), (c)(1), (c)(1)(i), (c)(1)(ii), (c)(2), (c)(2)(ii), (c)(2)(iii), (c)(2)(iv), (c)(2)(v), (c)(2)(vii), (c)(3), (d)(2), (d)(3), (d)(4), (d)(5), (e), introductory text of (f), (f)(2), (f)(3), and (f)(4), and by adding new paragraphs (c)(2)(iii), (d)(6), (f)(11) and (g). As amended, *1910.177 reads as follows:
*1910.177 Servicing multi-piece and single piece rim wheels.

(a) Scope

- (1) This section applies to the servicing of multi-piece and single piece rim wheels used on large vehicles such as trucks, tractors, trailers, buses and off-road machines. It does not apply to the servicing of rim wheels used on automobiles, or on pickup trucks and vans utilizing automobile tires or truck tires designated "LT."
- (2) This section does not apply to employers and places of employment regulated under the Construction Safety Standards, 29 CFR Part 1926; the Agriculture Standards, 29 CFR Part 1928; or the Maritime Standards, 29 CFR 1915-1918.
- (3) All provisions of this section apply to the servicing of both single piece rim wheels and multi-piece rim wheels unless designated otherwise.

(b) Definitions

"Barrier" means a fence, wall or other structure or object placed between a single piece rim wheel and an employee during tire inflation, to contain the rim wheel components in the event of the sudden release of the contained air of the single piece rim wheel.

"Charts" means the United States Department of Transportation, National Highway Traffic Safety Administration (NHTSA) publications entitled "Safety Precautions for Mounting and Demounting Tube-Type Truck/Bus Tires" and "Multi-Piece Rim Wheel Matching Chart", or any other publications such as rim manuals containing, at a minimum, the same instructions, safety precautions and other information contained on those charts that are applicable to the types of rim wheels being serviced.

"Installing a rim wheel" means the transfer and attachment of an assembled rim wheel onto a vehicle axle hub. "Removing" means the opposite of installing.

"Mounting a tire" means the assembly or putting together of the wheel and tire components to form a rim wheel, including inflation. "Demounting" means the opposite of mounting.

OSHA Regulations (continued)

"Multi-piece rim wheel" means the assemblage of a multi-piece wheel with the tire tube and other components.

"Multi-piece wheel" means a vehicle wheel consisting of two or more parts, one of which is a side or locking ring designed to hold the tire on the wheel by interlocking components when the tire is inflated.

"Restraining device" means an apparatus such as a cage, rack, assemblage of bars and other components that will constrain all rim wheel components during an explosive separation of a multi-piece rim wheel, or during the sudden release of the contained air of a single piece rim wheel.

"Rim manual" means a publication containing instructions from the manufacturer or other qualified organization for correct mounting, demounting, maintenance, and safety precautions peculiar to the type of wheel being serviced.

"Rim wheel" means an assemblage of tire, tube and liner (where appropriate), and wheel components.

"Service" or "servicing" means the mounting and demounting of rim wheels, and related activities such as inflating, deflating, installing, removing, and handling.

"Service area" means that part of an employer's premises used for the servicing of rim wheels, or any other place where an employee services rim wheels.

"Single piece rim wheel" means the assemblage of single piece rim wheel with the tire and other components.

"Single piece wheel" means a vehicle wheel consisting of one part, designed to hold the tire on the wheel when the tire is inflated.

"Trajectory" means any potential path or route that a rim wheel component may travel during an explosive separation, or the sudden release of the pressurized air, or an area at which an airblast from a single piece rim wheel may be released. The trajectory may deviate from paths which are perpendicular to the assembled position or the rim wheel at the time of separation or explosion.

"Wheel" means that portion of a rim wheel which provides the method of attachment of the assembly to the axle of a vehicle and also provides the means to contain the inflated portion of the assembly (i.e., the tire and/or tube)

(c) Employee training

(1) The employer shall provide a program to train all employees who service rim wheels in the hazards involved in servicing those rim wheels and the safety procedures to be followed.

(i) The employer shall assure that no employee services any rim wheel unless the employee has been trained and instructed in correct procedures of servicing the type of wheel being serviced, and in the safe operating procedures described in paragraphs (f) and (g) of this section.

(ii) Information to be used in the training program shall include, at a minimum, the applicable data contained in the charts (rim manuals) and the contents of this standard.

(iii) Where an employer knows or has reason to believe that any of his employees is unable to read and understand the charts or rim manual, the employer shall assure that the employee is instructed concerning the contents of the charts and rim manual in a manner which the employee is able to understand.

(2) The employer shall assure that each employee demonstrates and maintains the ability to service rim-wheels safely, including performance of the following tasks:

OSHA Regulations (continued)

- (i) Demounting of tires (including deflation);
 - (ii) Inspection and identification of the rim wheel components;
 - (iii) Mounting of tires (including inflation with a restraining device or other safeguard required by this section);
 - (iv) Use of the restraining device or barrier, and other equipment required by this section;
 - (v) Handling of rim wheels;
 - (vi) Inflation of the tire when a single piece rim wheel is mounted on a vehicle;
 - (vii) An understanding of the necessity of standing outside the trajectory both during inflation of the tire and during inspection of the rim wheel following inflation; and
 - (viii) Installation and removal of rim wheels.
- (3) The employer shall evaluate each employee's ability to perform these tasks and to service rim wheels safely, and shall provide additional training as necessary to assure that each employee maintains his or her proficiency.

(d) Tire servicing equipment.

- (1) The employer shall furnish a restraining device for inflating tires on multi-piece wheels.
- (2) The employer shall provide a restraining device or barrier for inflating tires on single piece wheels unless the rim wheel will be bolted onto a vehicle during inflation.
- (3) Restraining devices and barriers shall comply with the following requirements:
- (i) Each restraining device or barrier shall have the capacity to withstand the maximum force that would be transferred to it during a rim wheel separation occurring at 150 percent of the maximum tire specification pressure for the type of rim wheel being serviced.
 - (ii) Restraining devices and barriers shall be capable of preventing the rim wheel components from being thrown outside or beyond the device or barrier for any rim wheel positioned within or behind the device:
 - (iii) Restraining devices and barriers shall be visually inspected prior to each day's use and after any separation of the rim wheel components or sudden release of contained air. Any restraining device or barrier exhibiting damage such as the following defects shall be immediately removed from service:
 - (A) Cracks at welds;
 - (B) Cracked or broken components;
 - (C) Bent or sprung components caused by mishandling, abuse, tire explosion or rim wheel separation;
 - (D) Pitting of components due to corrosion; or
 - (E) Other structural damage which would decrease its effectiveness.
 - (iv) Restraining devices or barriers removed from service shall not be returned to service until they are repaired and reinspected. Restraining devices or barriers requiring structural repair such as component replacement or rewelding shall not be returned to service until they are certified by either the manufacturer or a Registered Professional Engineer as meeting the strength requirements of paragraph (d)(3)(i) of this section.

OSHA Regulations (continued)

(4) The employer shall furnish and assure that an air line assembly consisting of the following components be used for inflating tires:

- (i) A clip-on chuck;
- (ii) An in-line valve with a pressure gauge or a presettable regulator; and
- (iii) A sufficient length of hose between the clip-on chuck and the in-line valve (if one is used) to allow the employee to stand outside the trajectory.

(5) Current charts (rim manuals) containing instructions for the types of wheels being serviced shall be available in the service area.

(6) The employer shall furnish and assure that only tools recommended in the rim manual for the type of wheel being serviced are used to service rim wheels.

(e) Wheel component acceptability.

(1) Multi-piece wheel components shall not be interchanged except as provided in the charts or in the applicable rim manual.

(2) Multi-piece wheel components and single piece wheels shall be inspected prior to assembly. Any wheel or wheel component which is bent out of shape, pitted from corrosion, broken, or cracked shall not be used and shall be marked or tagged unserviceable and removed from the service area. Damaged or leaky valves shall be replaced.

(3) Rim flanges, rim gutters, rings, bead seating surfaces and the bead areas of tires shall be free of any dirt, surface rust, scale or loose or flaked rubber built-up prior to mounting and inflation.

(4) The size (bead diameter and tire/wheel widths) and type of both the tire and the wheel shall be checked for compatibility prior to assembly of the rim wheel.

(f) Safe operating procedure - multi-piece rim wheels.

The employer shall establish a safe operating procedure for servicing multi-piece rim wheels and shall assure that employees are instructed in and follow that procedure. The procedure shall include at least the following elements:

- (1) Tires shall be completely deflated before demounting by removal of the valve core.
- (2) Tires shall be completely deflated by removing the valve core before a rim wheel is removed from the axle in either of the following situations:
 - (i) When the tire has been driven underinflated at 80% or less of its recommended pressure, or
 - (ii) When there is obvious or suspected damage to the tire or wheel components.
- (3) Rubber lubricant shall be applied to bead and rim mating surfaces during assembly of the wheel and inflation of the tire, unless the tire or wheel manufacturer recommends against it.

OSHA Regulations (continued)

- (4) If a tire on a vehicle is underinflated but has more than 80% of the recommended pressure, the tire may be inflated while the rim wheel is on the vehicle provided remote control inflation equipment is used, and no employees remain in the trajectory during inflation.
- (5) Tires shall be inflated outside a restraining device only to a pressure sufficient to force the tire bead onto the rim ledge and create an airtight seal with the tire and bead.
- (6) Whenever a rim wheel is in a restraining device the employee shall not rest or lean any part of his body or equipment on or against the restraining device.
- (7) After tire inflation, the tire and wheel components shall be inspected while still within the restraining device to make sure that they are properly seated and locked. If further adjustment to the tire or wheel components is necessary, the tire shall be deflated by removal of the valve core before the adjustment is made.
- (8) No attempt shall be made to correct the seating of side and lock rings by hammering, striking or forcing the components while the tire is pressurized.
- (9) Cracked, broken, bent or otherwise damaged rim components shall not be reworked, welded, brazed, or otherwise heated.
- (10) Whenever multi-piece rim wheels are being handled, employees shall stay out of the trajectory unless the employer can demonstrate that performance of the servicing makes the employee's presence in the trajectory necessary.
- (11) No heat shall be applied to a multi-piece wheel or wheel component.

(g) Safe operating procedure - single piece rim wheels.

The employer shall establish a safe operating procedure for servicing single piece rim wheels and shall assure that employees are instructed in and follow that procedure. The procedure shall include at least the following elements:

- (1) Tires shall be completely deflated by removal of the valve core before demounting.
- (2) Mounting and demounting of the tire shall be done only from the narrow ledge side of the wheel. Care shall be taken to avoid damaging the tire beads while mounting tires on wheels. Tires shall be mounted on compatible wheels of matching bead diameter and width.
- (3) Nonflammable rubber lubricant shall be applied to bead and wheel mating surfaces before assembly of the rim wheel, unless the tire or wheel manufacturer recommends against the use of any rubber lubricant.
- (4) If a tire changing machine is used, the tire shall be inflated only to the minimum pressure necessary to force the tire bead onto the rim ledge while on the tire changing machine.
- (5) If a bead expander is used, it shall be removed before the valve core is installed and as soon as the rim wheel becomes airtight (the tire bead slips onto the bead seat).
- (6) Tires may be inflated only when contained within a restraining device, positioned behind a barrier or bolted on the vehicle with the lug nuts fully tightened.
- (7) Tires shall not be inflated when any flat, solid surface is in the trajectory and within one foot of the sidewall.
- (8) Employees shall stay out of the trajectory when inflating a tire.
- (9) Tires shall not be inflated to more than the inflation pressure stamped in the sidewall unless a higher pressure is recommended by the manufacturer.
- (10) Tires shall not be inflated above the maximum pressure recommended by the manufacturer to seat the tire bead firmly against the rim flange.
- (11) No heat shall be applied to a single piece wheel.
- (12) Cracked, broken, bent, or otherwise damaged wheels shall not be reworked, welded, brazed, or otherwise heated.

Appendix B - Ordering Information for NHTSA Charts

OSHA has reprinted the NHTSA Charts as part of a continuing campaign to alert rim wheel servicing personnel of the industry accepted procedures for servicing multi-piece rim wheels.

Reprints of the charts are available through Occupational Safety and Health Administration (OSHA) Area Offices. The address and telephone number of the nearest OSHA Area Office can be obtained by looking in the local telephone directory under U. S. Government, U. S. Department of Labor, Occupational Safety and Health Administration.

Single copies are available without charge.

Individuals, establishments and other organizations desiring multiple copies of these charts may order them from the Publications Office, U. S. Department of Labor, Room N4101, Washington, D.C. 20210.

Telephone: (202)523-9667.

(FR Doc. 84 - 2884 Filed 2-2-84:8:45 a.m.)
BILLING CODE 4510-26-M

8

Glossary of Common Terms

Glossary of Common Terms

8-1

1/2 DUAL SPACING - One half the distance between the two center lines of dual wheels. The dimension is the same as the OUTSET dimension.

2-PIECE FLANGE NUT - A two-piece washer and nut combination used to secure hub piloted wheels.

AIR CHAMBER - The space enclosed by a tire and wheel rim or inner tube.

BEAD SEAT - The area along the outer edges of the rim where the mounted tire and rim are in contact.

BOLT CIRCLE - The circle defined by the centers of the bolt holes (stud holes) of a wheel, dimensions stated in diameter inches or millimeters.

BOLT HOLE - Hole found in the disc of the wheel through which the bolt (stud) passes.

BORE - See "HUB BORE."

CENTER BORE - See "HUB BORE."

CONE LOCK CAP NUT - See "2-PIECE FLANGE NUT."

DC - Abbreviation for drop center.

DISC AREA - The vertical wheel face which supports the rim.

DISC WHEEL - A one-piece (forged) or two-piece (welded) assembly of a disc and a rim.

DROP CENTER - The well or center portion of the wheel rim.

FLAT BASE WHEEL - A multi-piece wheel with a removable side ring.

FOOT-POUNDS - The measure of the amount of torque applied to a cap nut or other part. May be measured with a torque wrench.

GUTTER FLANGE - A groove which supports the removable portion of a multi-piece wheel.

HUB BORE - The center hole of a disc wheel, dimensions stated in diameter inches or millimeters.

HUB PILOTED MOUNTING - A wheel mounting system which uses the hub to center the wheel and two-piece flange nuts to secure it.

in. - Abbreviation for inches.

INNER CAP NUT - Cap nut used to mount the inner wheel in a dual stud located wheel system.

INSET - The distance from the wheel mounting surface to the rim centerline when the centerline is placed inboard of the mounting surface.

kg - Abbreviation for kilogram (weight measurement), equal to 1000 grams.

kPa - Abbreviation for kilo Pascals (pressure measurement).

Glossary of Common Terms (continued)

LOCK RING - The third piece of a three rim assembly which positions and supports the side ring to the rim base.

MAXIMUM INFLATION - The highest amount of air pressure allowed, measured at normal ambient temperatures.

mm - Abbreviation for millimeters.

MULTI-PIECE WHEEL - A wheel assembly in which the rim portion of the wheel consists of two or more separate parts.

OFFSET - See "OUTSET."

OPEN SIDE - The side of the wheel opposite the disc face.

OSHA - Abbreviation for the U.S. Department of Labor, Occupational Health and Safety Administration.

OUTER CAP NUT - A cap nut used to secure the outer stud located wheel in a dual wheel pair and thread onto the inner cap nut.

OUTSET - The distance from the mounting surface of the wheel to the rim centerline when the rim centerline is mounted outboard of the hub face. This dimension is the same as the 1/2 DUAL SPACING dimension.

PILOT PAD - The raised surfaces on a hub used to center a hub piloted wheel.

PSI - Abbreviation for pounds per square inch.

REVERSIBLE - Term applied to a disc wheel which can be reversed on the hub without changing the position of the tire centerline.

RIM CENTERLINE - A line to the radial axis of the wheel running through the mid point between the rim flanges.

RIM FLANGE - That portion of the rim which extends above the rim surface which retains the tire bead.

RIM - That portion of the wheel which supports the tire.

SIDE RING - A removable piece of a multi-piece wheel assembly which provides lateral support for one tire bead.

SINGLE CAP NUT - A cap nut used to secure single wheels or outer dual wheels.

STUD - A threaded bolt extending from the hub surface to which the wheels are secured by the cap nuts.

STUD LOCATED, BALL SEAT MOUNTING - A wheel mounting system which uses the studs and spherical ball seat cap nuts to center and secure the wheel.

TIRE BEAD - That surface of the tire which contacts the angled surface of the wheel rim.

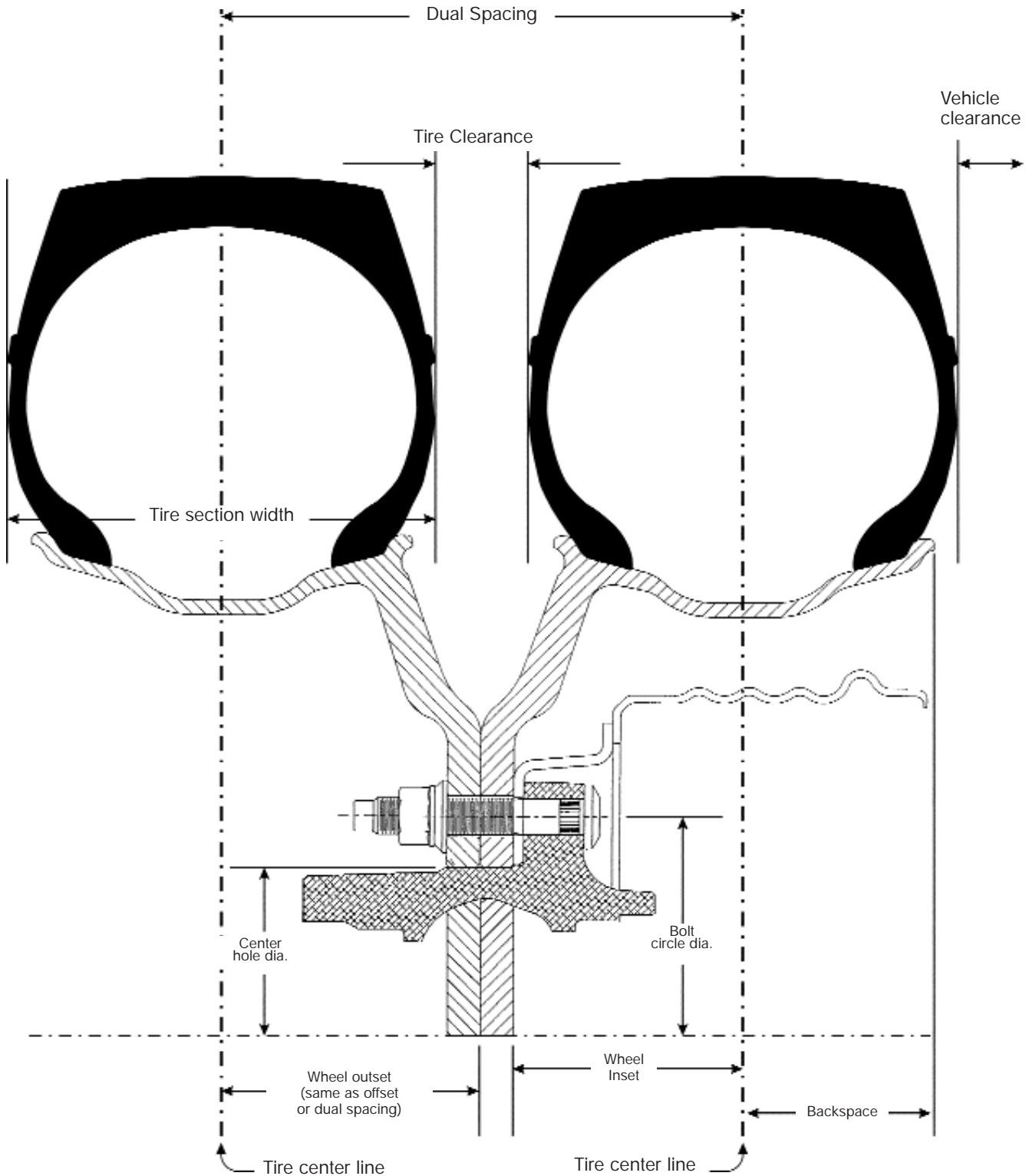
TORQUE - The amount of force used to tighten cap nuts. Usually stated in foot-pounds or kilograms and measured with a torque wrench.

WHEEL MOUNTING FACE - That portion of the wheel face which contacts the hub or brake drum.

wt. - Abbreviation for weight.

8-2

Minimum dual spacing measurement is determined by the tire manufacturer and may be obtained from the tire manufacturer's handbook. To determine if the Alcoa aluminum dual wheel assembly has adequate minimum dual spacing for the selected tires, double the wheel outset measurement of the Alcoa wheel used. If the doubled outset measurement is equal to or greater than the tire manufacturer's recommendation, there will be sufficient minimum dual spacing. Wheel inset and outset is given for each Alcoa wheel on pages 2 and 3. Both inset and outset wheels are measured from the mounting surface of the wheel to the center line of the rim. Maintaining proper tire inflation and load ratings are essential to maintaining proper minimum dual spacing.



8

9 Conversion Tables

Inch
Fraction,
Decimal and
Millimeter
Equivalents
Chart
(Up to 1
inch)

9-1

Inches	Decimals	Millimeters
1/64	0.0156	0.3969
1/32	0.0313	0.7938
3/64	0.0469	0.11906
1/16	0.0625	1.5875
5/64	0.0781	1.9844
3/32	0.0938	2.3813
7/64	0.1094	2.7781
1/8	0.1250	3.1750
9/64	0.1406	3.5719
5/32	0.1563	3.9688
11/64	0.1719	4.3656
3/16	0.1875	4.7625
13/64	0.2031	5.1594
7/32	0.2188	5.5563
15/64	0.2344	5.9531
1/4	0.2500	6.3500
17/64	0.2656	6.7469
9/32	0.2813	7.1438
19/64	0.2969	7.5406
5/16	0.3125	7.9375
21/64	0.3281	8.3344
11/32	0.3438	8.7313
23/64	0.3594	9.1281
3/8	0.3750	9.5250
25/64	0.3906	9.9219
13/32	0.4063	10.3188
27/64	0.4219	10.7156
7/16	0.4375	11.1125
29/64	0.4531	11.5094
15/32	0.4688	11.9063
31/64	0.4844	12.3031
1/2	0.5000	12.7000

Inches	Decimals	Millimeters
33/64	0.5156	13.0969
17/32	0.5313	13.4938
35/64	0.5469	13.8906
9/16	0.5625	14.2875
37/64	0.5781	14.6844
19/32	0.5938	15.0813
39/64	0.6094	15.4781
5/8	0.6250	15.8750
41/64	0.6406	16.2719
21/32	0.6563	16.6688
43/64	0.6719	17.0656
11/16	0.6875	17.4625
45/64	0.7031	17.8594
23/32	0.7188	18.2563
47/64	0.7344	18.6531
3/4	0.7500	19.0500
49/64	0.7656	19.4469
25/32	0.7813	19.8438
51/64	0.7969	20.2406
13/16	0.8125	20.6375
53/64	0.8281	21.0344
27/32	0.8438	21.4313
55/64	0.8594	21.8281
7/8	0.8750	22.2250
57/64	0.8906	22.6219
29/32	0.9063	23.0188
59/64	0.9219	23.4156
15/16	0.9375	23.8125
61/64	0.9531	24.2094
31/32	0.9688	24.6063
63/64	0.9844	25.0031
1	1.000	25.4000

Conversion Formulas

9-2

Inches to Millimeters

Inches	25.4	=	Millimeters
--------	------	---	-------------

Millimeters to Inches

Millimeters	0.03937	=	Inches
-------------	---------	---	--------

PSI to kPa

PSI	6.8948	=	kPa
-----	--------	---	-----

kPa to PSI

kPa	0.145	=	PSI
-----	-------	---	-----

Pounds to Kilograms

Pounds	0.4536	=	kg
--------	--------	---	----

Kilograms to Pounds

kg	2.2050	=	Pounds
----	--------	---	--------

Foot-pounds to Kilogram Meters

Ft-lbs	0.13826	=	kgm
--------	---------	---	-----

Kilogram Meters to Foot-pounds

kgm	7.23	=	Ft-lbs
-----	------	---	--------

Alcoa Inc.
Wheel Products International
1600 Harvard Avenue
Cleveland, Ohio 44105
(800) 242-9898

Alcoa Inter-America, Inc.
115-A Matheson Blvd. West, Suite 207
Mississauga, Ontario, Canada L5R 3L1
(800) 668-1150

Copyright © 1997
Alcoa Inc.
All Rights Reserved