

COMPANION FLANGES

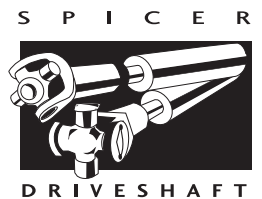
SPICER®



**J300P-1
AUGUST 2001**

Supersedes
J300P-1 Dated
November 1988
and
J300P-1A Dated
August 1991

COMPANION FLANGES





HOW TO USE THIS CATALOG

To identify any splined companion flange, there are ten pieces of required information:

- ① Center Hole type (Splined, Round or Tapered hole)
- ② Spline size and tooth count
- ③ Pilot diameter and type (Male-Female)
- ④ Bolt circle diameter
- ⑤ Bolt hole diameter (Drilled or Tapped)
- ⑥ Number of bolt holes
- ⑦ Ground hub diameter (where applicable)
- ⑧ Brake drum pilot diameter
- ⑨ Length of through hole
- ⑩ Flange face to end of hub

Example: To find a Companion Flange with a 1.750-10 Splined hole, a 5.312 male pilot that includes eight bolts (see sample below):

- ① Find the **Splined Hole** section of this catalog
- ② Find the **1.7500-10 Spline** sub-heading
- ③ Find a **male** pilot diameter of **5.312**
- ④ Find a bolt circle diameter of **6.125**
- ⑤ Find a drilled bolt hole diameter of **.375**
- ⑥ Find a bolt hole number of holes of **8**
- ⑦ Find a ground hub diameter of **2.500**
- ⑧ Find a brake drum pilot diameter (not applicable in this example)
- ⑨ Find the length through hole of **2.000**
- ⑩ Find flange face to end of hub of **3.938**

Locate the part number that matches the dimension of your part (example 5-1-6531).

J300P-1

SPICER®



① **COMPANION FLANGES** **Spline Hole**

C Pilot Diameter F-Female M-Male	B Bolt Circle Diameter	Bolt Hole		Brake Drum Pilot Diameter	E Ground Hub Diameter	F Length Thru Hole	G Flange Face to End of Hub	F i g u r e #	Companion Flange Assembly (Order When Listed)	Flinger Part Number	Companion Flange Part Number
		Diameter D-Drilled T-Tapped	# of Holes								
1.7500-10 Spline (Continued)											
3.7500M	4.7500	.500 D	4	-	2.2500	2.0000	3.5470	2	4-1-5211X		4-1-7001
									<i>Assembly includes four brake bolts</i>		
③ 5.3120M	④ 6.1250	⑤ .375 D	⑥ 8	-	⑦ 2.5000	⑨ 2.0000	⑩ 3.9380	4	5-1-6541X		⑪ 5-1-6531
									<i>Assembly includes eight 6-73-725 bolts</i>		
6.4380M	6.1250	.375 D	8	-	2.5000	2.0000	3.9060	3	5-1-6591X		5-1-6581
									<i>Assembly includes eight 6-73-725 bolts</i>		



To identify a non-splined companion flange there are nine pieces of required information:

- ① Type of hole (Tapered or Round)
- ② Type of flange (Circular or Rectangular)
- ③ Series
- ④ Hole size/bore diameter
- ⑤ Keyway width
- ⑥ Bolt hole diameter (Drilled or Tapped)
- ⑦ Hub Diameter
- ⑧ Length of thru hole
- ⑨ Flange face to end of hub

Example: To find a 1610 series Circular Type Companion Flange with a Straight Round Hole, a 3.500 bore diameter, a keyway width of .875, and .375-24 tapped bolt holes: (see sample below).

- ①② Find the **Circular Type with a Straight Round Hole** section of the catalog
- ③ Find a **1610 Series**
- ④ Find a bore diameter of **3.500**
- ⑤ Find the keyway width of **.875**
- ⑥ Find a tapped bolt hole of **.375-24**
- ⑦ Find a Hub Diameter of **6.8750**
- ⑧ Find a Length of thru hole of **5.000**
- ⑨ Find a Flange face to end of hub dimension of **5.000**

Select the part number that matches all of the above information of your part (example 5-1-883-1).

J300P-1 SPICER®
DANA

COMPANION FLANGES

① **Circular Type** — **Straight Round Hole** ②

D	K	C		Bolt Hole Diameter D-Drilled T-Tapped	E	F	G	Companion Flange Part Number
Bore Diameter	Keyway Width	Pilot Diameter F-Female M-Male	Figure #		Hub Diameter	Length Thru Hole	Flange Face to End of Hub	
1610 SERIES		A-6.875 B-6.125 DIA.		(8 HOLES)				
3.1250	—	6.6250 F	2	.375-24 T	6.8750	5.0000	5.0000	5-1-883
④ 3.5000	⑤ .8750	6.6250 F	2	⑥ .375-24 T	⑦ 6.8750	⑧ 5.0000	⑨ 5.0000	5-1-883-1
3.9380	1.0000	6.6250 F	2	.375-24 T	6.8750	5.0000	5.0000	5-1-883-2
4.0000	1.0000	6.6250 F	2	.375-24 T	6.8750	5.0000	5.0000	5-1-883-3

Note that footnotes are listed immediately under the dimensional data, alleviating the need to look at the bottom of the page.

IMPORTANT NOTICE: The data listed herein is correct to the best of our knowledge and belief; having been compiled from reliable and official sources of information. However, WE CANNOT ASSUME ANY RESPONSIBILITY for possible error.



COMPANION FLANGES

J300P-1

Spline Hole

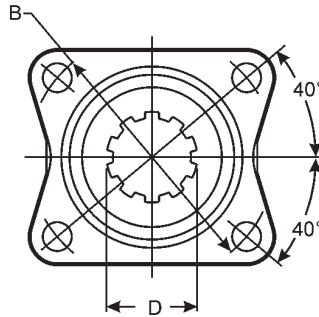
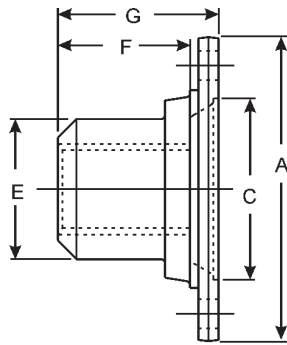


Figure 1

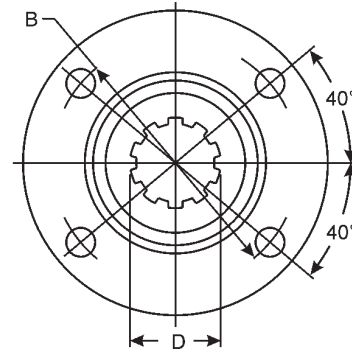


Figure 2

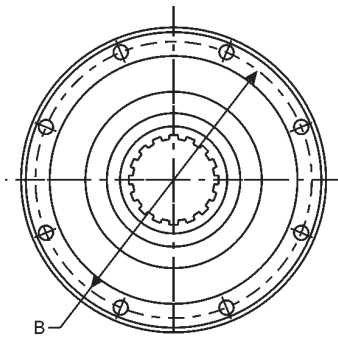


Figure 3

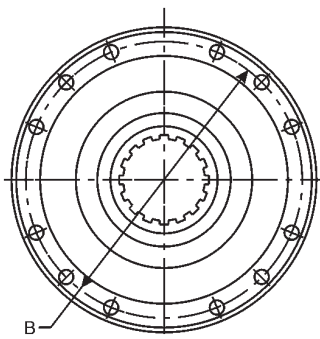


Figure 4

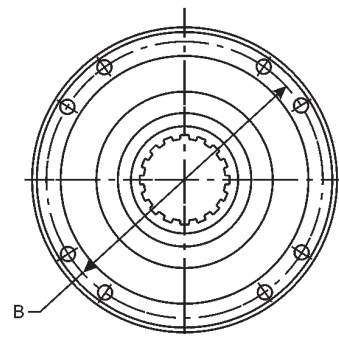


Figure 5

C Pilot Diameter F-Female M-Male	B Bolt Circle Diameter	Bolt Hole		Brake Drum Pilot Diameter	E Ground Hub Diameter	F Length Thru Hole	G Flange Face to End of Hub	F i g u r e #	Companion Flange Assembly (Order When Listed)	Flinger Part Number	Companion Flange Part Number
		Diameter D-Drilled T-Tapped	# of Holes								
1.0100-15 Involute Spline											
2.3750 F	3.1250	.375 D	4	—	2.1250	1.3120	2.0000	1			2-1-2581
1.0260-23 Involute Spline											
2.2500 F	3.1250	M8 X 1.25 T	4	—	1.5470	1.5000	2.5000	2	2-1-2651X	232001	2-1-2641
											<i>Bolt holes are equally spaced</i>
1.1410-26 Involute Spline											
3.9400 F	3.3850	M8 X 1.25 T	6	—	1.5500	1.4790	3.8980	3			2-1-2791
4.5620 M	5.3120	.375-16 T	6	—	1.5620	1.5000	2.3440	2			3-1-4321
											<i>Will bolt up to a 4C u-joint kit</i>
1.1450-26 Involute Spline											
2.7500 M	3.7500	.438-20 T	4	—	1.5470	1.5000	2.1090	2			3-1-4371
1.1460-26 Involute Spline											
2.3750 F	3.1250	.375 D	4	2.5500	1.5540	1.5000	2.5940	1	2-1-1881X	15099	2-1-1871
2.3750 F	3.1250	.375 D	4	2.4380	1.5470	1.5000	2.0620	1			2-1-2391
											<i>.185 depth counterbore at hub end</i>
2.5620 F	3.3460	.406 D	4	—	1.5470	1.5000	2.9060	1	2-1-2741X	232459	2-1-2571
											<i>Bolt holes spaced at 36 degrees</i>
2.5620 F	3.3460	.406 D	4	—	1.7340	1.3440	2.8120	1	2-1-2841X	232720	2-1-2831
											<i>Bolt holes spaced at 36 degrees</i>
3.9370 F	3.3850	M8 X 1.25 T	6	—	1.5520	1.4790	4.2160	3			2-1-2891
											<i>Special metric flange for Spicer CV shaft</i>
3.9370 F	3.3860	M8 X 1.25 T	6	—	1.8440	1.4910	3.8360	3	2-1-3031X	232969	2-1-3021
											<i>Special metric flange for Spicer CV shaft</i>
1.1720-27 Involute Spline											
2.5600 F	3.7400	M12 X 1.75 T	8	—	1.6800	1.0900	2.0100	3			2-1-2911
2.1600 M	3.9380	M12 X 1.75 T	8	—	1.6875	1.0540	1.5300	3			2-1-2931
1.2290-28 Involute Spline											
2.7500 M	3.7500	.438-20 T	4	—	1.8440	1.3750	2.0620	1			2-1-2341
1.2500-10 Spline											
2.3750 F	3.1250	.375 D	4	2.5000	1.7500	2.0000	2.6880	1			2-1-1641
2.7500 M	3.7500	.438 D	4	—	2.0000	1.7500	2.3120	1			3-1-3851



COMPANION FLANGES

Spline Hole



C Pilot Diameter F-Female M-Male	B Bolt Circle Diameter	Bolt Hole		Brake Drum Pilot Diameter	E Ground Hub Diameter	F Length Thru Hole	G Flange Face to End of Hub	F i g u r e #	Companion Flange Assembly (Order When Listed)	Flinger Part Number	Companion Flange Part Number
		Diameter D-Drilled T-Tapped	# of Holes								
1.2630-29 Involute Spline											
2.6000 M	3.9380	M12 X 1.75 T	8	—	1.7850	1.5000	1.9700	3			2-1-2921
1.2760-29 Involute Spline											
1.9840 M	4.2500	M12 X 1.75 T	8	—	1.8750	1.5000	1.9530	3	3-1-4881X	45799	3-1-4821
2.7500 F	3.7500	.438 D	4	—	1.8750	1.5000	2.0620	1	3-1-4041X	34592	3-1-4031
3.7500 F	4.7500	M12 X 1.75 T	8	—	1.8850	1.5000	1.9550	3	2-1-3001X	45799	2-1-2991
4.2530 F	3.7000	M10 X 1.50 T	6	—	1.8870	1.4920	3.1490	3			2-1-2961
<i>Special metric flange for Spicer CV shaft</i>											
1.3750-10 Spline											
2.3750 F	3.1250	.375 D	4	2.5000	2.1250	1.0620	1.7810	1			2-1-1961
2.3750 F	3.1250	.375 D	4	2.5000	2.1250	1.1560	2.1250	1			2-1-2091
2.7500 F	3.1250	.375 D	4	3.1090	1.9380	2.0000	2.5620	1			3-1-1181
2.7500 F	3.7500	.438 D	4	—	1.7500	1.6880	2.2500	1			3-1-3881
2.7500 F	3.7500	.438 D	4	3.0000	1.9380	2.0620	2.5700	1			3-1-2931
2.7500 F	3.7500	.438 D	4	2.9380	2.1250	1.7500	2.3120	1			3-1-3101
2.7500 F	3.7500	.438 D	4	3.0000	2.1250	2.0000	2.5160	1			3-1-2311
2.7500 F	3.7500	.438 D	4	3.0000	2.1250	2.0000	2.4380	1			3-1-4001
2.7500 F	3.7500	.438 D	4	3.0000	2.1250	2.0000	2.4380	1			3-1-2011
2.7500 F	3.7500	.438 D	4	—	2.1250	1.0620	1.6560	1			3-1-4141
2.7500 F	3.7500	.438 D	4	3.0000	2.1250	2.0000	2.4380	1			3-1-751
3.7500 F	4.7500	.500 D	4	3.7500	2.1090	2.0000	2.6250	1			4-1-3151
3.7500 F	4.7500	.500 D	4	—	2.1250	2.0000	2.1250	1			4-1-1011
1.4060-32 Involute Spline											
2.7500 M	3.7500	.438 D	4	3.465	2.1250	3.6560	5.3750	2			3-1-4271
<i>.940 depth counterbore at hub end</i>											
1.4980-29 Involute Spline											
2.6775 M	4.2500	12MM D	4	3.000	1.9655	2.8500	3.9270	2			3-1-4941
<i>Bolt holes are equally spaced, .980 depth counterbore at hub end</i>											
1.4990-10 Spline											
2.7510 F	3.7500	.438 D	4	2.4530	2.1275	2.0000	2.5550	1			3-1-2181
1.5000-10 Spline											
2.7500 F	3.7500	.438 D	4	3.1090	2.0000	2.1880	2.9060	1			3-1-3431
<i>.310 depth counterbore at hub end</i>											
2.7500 F	3.7500	.438 D	4	2.8750	2.1250	2.0000	2.5620	1			3-1-1151
2.7500 F	3.7500	.438 D	4	3.0000	2.1250	2.0000	2.4380	1			3-1-2431
2.7500 F	3.7500	.438 D	4	3.0000	2.2420	2.0000	2.5620	1			3-1-811
2.7500 F	3.7500	.438 D	4	—	2.2500	2.0620	2.7500	1			3-1-1141
2.7500 F	3.7500	.438 D	4	—	2.2500	2.0000	2.5620	1			3-1-3181
2.7500 F	3.7500	.438 D	4	3.0000	2.2500	2.0000	2.3750	1			3-1-3191
2.7500 F	3.7500	.438 D	4	3.1090	2.2500	2.1880	3.0620	2			3-1-3341
2.7500 F	3.7500	.438 D	4	2.9690	2.5000	2.0000	2.8750	2			3-1-871
3.7500 F	4.7500	.500 D	4	—	2.2500	2.0620	2.6250	1			4-1-2491
3.7500 F	4.7500	.500 D	4	3.3750	2.1250	2.0000	2.6250	1			4-1-2701
3.7500 F	4.7500	.500 D	4	3.7500	2.2500	2.0000	2.5000	1			4-1-3441
3.7500 F	4.7500	.500 D	4	—	2.2500	2.1880	2.8750	1			4-1-4011
3.7500 F	4.7500	.500 D	4	—	2.3120	2.0160	2.3440	2			4-1-4451
6.6250 F	6.1250	.375 D	8	6.8750	2.1250	2.0000	2.3750	3			5-1-2421
<i>.250 depth counterbore at hub end</i>											
6.6250 F	6.1250	.375 D	8	6.8750	2.2500	2.0620	2.7500	3			5-1-1291
1.5160-35 Involute Spline											
2.7500 F	3.7500	.438 D	4	2.8750	2.1250	2.0000	2.5620	1			3-1-3651
1.5200-23 Involute Spline											
2.7500 F	3.7500	.438 D	4	—	2.1250	2.0470	2.6090	1			3-1-3971
1.5250-35 Involute Spline											
3.1090 M	3.7500	.438 D	4	—	2.5000	1.9220	3.5620	2			3-1-3711
3.7500 M	4.7500	.500 D	4	3.8750	2.5000	1.9380	3.5620	2			4-1-4121
1.5430-24 Involute Spline											
2.6775 M	4.2500	12MM D	4	—	2.2410	1.8405	3.9070	2	3-1-4961X	232686	3-1-4951





COMPANION FLANGES

Spline Hole

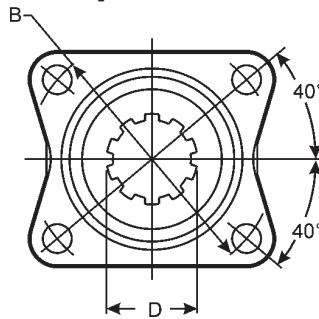
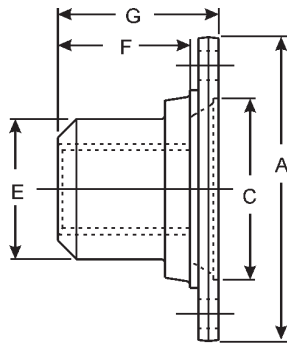


Figure 1

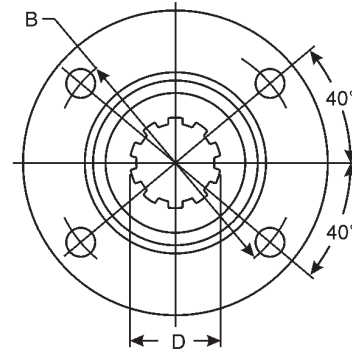


Figure 2

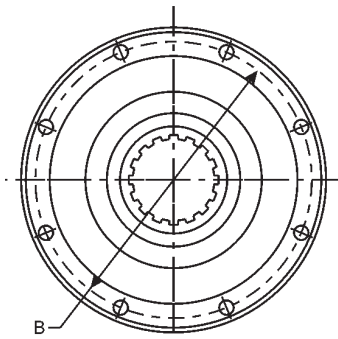


Figure 3

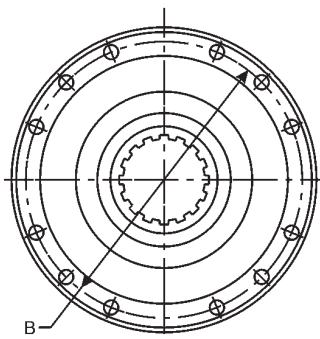


Figure 4

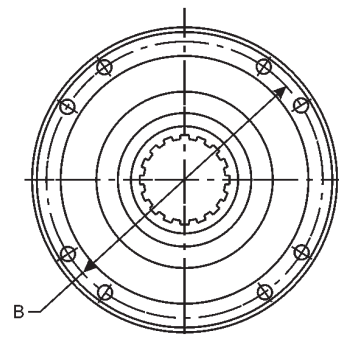


Figure 5

C Pilot Diameter F-Female M-Male	B Bolt Circle Diameter	Bolt Hole		Brake Drum Pilot Diameter	E Ground Hub Diameter	F Length Thru Hole	G Flange Face to End of Hub	F i g u r e #	Companion Flange Assembly (Order When Listed)	Flinger Part Number	Companion Flange Part Number
		Diameter D-Drilled T-Tapped	# of Holes								
1.6250-10 Spline											
2.7500 F	3.7500	.438 D	4	3.0000	2.3750	2.1250	3.0000	2			3-1-3531
3.7500 F	4.7500	.500 D	4	—	2.3750	2.1250	2.7500	1			4-1-2751
3.7500 M	4.7500	.500 D	4	—	2.2500	2.1250	2.6880	1			4-1-3571
5.3120 M	6.1250	.375 D	8	—	2.3750	2.1300	2.3750	3			5-1-6431
1.7500-10 Spline											
2.7500 F	3.7500	.438 D	4	3.1090	2.6250	2.2500	3.1250	2			3-1-1521
2.7500 F	3.7500	.438 D	4	3.0000	2.2500	2.1880	2.8120	1			3-1-3211
3.7500 F	4.7500	.500 D	4	3.7500	2.2500	2.0000	2.7500	1			4-1-1381
3.7500 F	4.7500	.500 D	4	—	2.6250	2.2500	2.8750	1			4-1-3101
3.7500 F	4.7500	.500 D	4	3.8750	2.3750	2.1880	2.8120	1			4-1-3171
3.7500 F	4.7500	.500 D	4	3.7500	2.5000	2.2500	2.7970	1			4-1-3611
3.7500 F	4.7500	.500 D	4	3.7500	2.5000	2.2500	3.0000	1			4-1-3891
3.7500 F	4.7500	.500 D	4	—	2.5000	1.9380	2.7340	1			4-1-5131
3.7500 M	4.7500	.500 D	4	—	2.5000	2.2500	2.2500	1			4-1-3241
3.7500 F	4.7500	.500 D	4	—	2.5000	2.2500	2.8750	1	4-1-3331X	565W	4-1-3321
3.7500 F	4.7500	.500 D	4	3.7500	2.2500	2.1880	2.9380	1			4-1-3561
3.7500 M	4.7500	.500 D	4	—	2.5000	1.9380	3.5620	2			4-1-3721
3.7500 M	4.7500	.500 D	4	—	2.2500	2.0000	3.5470	2	4-1-5211X		4-1-7001
									<i>Assembly includes four 8-73-226 brake bolts</i>		
5.3120 M	6.1250	.375 D	8	—	2.5000	2.0000	3.9380	3	5-1-6541X		5-1-6531
									<i>Assembly includes eight 6-73-725 bolts</i>		
6.4380 M	7.2500	.375 D	8	—	2.5000	2.0000	3.9060	3	5-1-6591X		5-1-6581
									<i>Assembly includes eight 6-73-725 bolts</i>		
6.6250 F	6.1250	.375 D	8	—	2.7500	2.2500	2.9380	3			5-1-2321
6.6250 F	6.1250	.375 D	8	—	2.6250	2.2500	2.8750	3			5-1-811
7.7500 F	7.2500	.375 D	8	—	2.7500	2.2500	2.9380	3			6-1-1761
1.7550-13 Spline											
6.6250 F	6.1250	.375 D	8	—	3.0620	2.9150	3.6250	3			5-1-6511



COMPANION FLANGES

Spline Hole



C Pilot Diameter F-Female M-Male	B Bolt Circle Diameter	Bolt Hole		Brake Drum Pilot Diameter	E Ground Hub Diameter	F Length Thru Hole	G Flange Face to End of Hub	F i g u r e #	Companion Flange Assembly (Order When Listed)	Flinger Part Number	Companion Flange Part Number
		Diameter D-Drilled T-Tapped	# of Holes								
1.7900-34 Involute Spline											
3.7500 F	4.7500	.500 D	4	—	2.5620	2.7500	3.3440	1	4-1-4501X		4-1-4491 <i>Assembly includes plug 231059</i>
3.7500 M	4.7500	.500 D	4	—	2.5620	2.7500	3.3440	1	4-1-4481X		4-1-4471 <i>Assembly includes plug 231059 and 4 studs 231016</i>
3.7500 M	4.7500	.500 D	4	—	2.5620	2.7500	3.3440	1	4-1-5201X		4-1-4471 <i>Assembly includes plug 231059 and four 8-73-226 bolts</i>
5.3120 M	6.1250	.375 D	8	—	2.5620	2.7500	3.7190	2	90-1-21X		90-1-11 <i>Assembly includes plug 231059 and eight 6-73-725 bolts</i>
5.3120 M	6.1250	.375 D	8	—	2.5620	2.7500	4.0900	3	5-1-6791X		5-1-6781 <i>Assembly includes plug 231059 and eight 6-73-725 bolts</i>
5.3120 M	6.1250	.375 D	8	—	2.5620	2.7500	4.2500	3	5-1-5151X		5-1-5141 <i>Assembly includes plug 231059 and eight 6-73-725 bolts</i>
6.4380 M	4.7500	.500-20 T	4	6.4380	2.5620	2.7500	3.9060	-	4-1-4571X		4-1-4561 <i>Assembly includes plug 231059. Special drill pattern</i>
6.4350 M	7.2500	.375 D	8	—	2.5650	2.7550	3.7000	3	6-1-6121X		6-1-6111 <i>Assembly includes plug 231059 and eight 6-73-725 bolts</i>
6.4360 M	7.2500	.375 D	8	6.4380	2.5620	2.7500	3.7030	3	6-1-5841X		6-1-5361 <i>Assembly includes plug 231059 and eight 6-73-725 bolts</i>
6.6250 F	6.1250	.375 D	8	—	2.5620	2.7810	3.9380	3	5-1-5121X		5-1-5111 <i>Assembly includes plug 231059</i>
7.7500 F	7.2500	.375 D	8	—	2.5620	2.6880	3.9030	3	6-1-4701X		6-1-4691 <i>Assembly includes plug 231059</i>
1.9600-10 Spline											
7.7500 F	7.2500	.375 D	8	-	2.8120	3.0000	3.6250	3			6-1-4641
1.9610-10 Spline											
3.7500 F	4.7500	.500 D	4	—	2.7500	2.6250	3.3750	1			4-1-2661
7.7500 F	7.2500	.375 D	8	—	2.7500	2.6250	3.3120	3			6-1-1461
1.9610-6 Spline											
3.7500 F	4.7500	.500 D	4	—	2.7500	3.0000	3.6250	1			4-1-601
1.9620-10 Spline											
5.3120M	6.1250	.375 D	8	—	2.7500	2.8280	4.8120	3	5-1-6641X		5-1-6481 <i>Assembly includes eight 6-73-725 bolts</i>
5.3120 M	6.1250	.375 D	8	—	2.7500	2.7970	4.5940	3	5-1-6561X		5-1-6551 <i>Assembly includes eight 6-73-725 bolts</i>
6.6250 F	6.1250	.375 D	8	—	2.5000	2.6250	3.2500	3			5-1-4301
1.9640-10 Spline											
3.7500 F	4.7500	.500 D	4	—	2.5000	2.2500	3.0000	1			4-1-3761
3.7500 M	4.7500	.500 D	4	—	2.9380	3.0310	3.6250	1			4-1-4421
6.6250 F	6.1250	.375 D	8	—	2.5000	2.2500	3.0000	3			5-1-4291
1.9980-38 Involute Spline											
3.7500 F	4.7500	.500 D	4	—	2.7500	2.1250	2.8750	1			4-1-5021
3.7500 M	4.7500	.500 D	4	—	2.7500	2.0620	3.8750	1	4-1-6051X		4-1-6041 <i>Assembly includes four 231016 studs</i>
5.3120 M	6.1250	.375 D	8	—	2.7500	2.1250	4.6880	3	5-1-6471X		5-1-6271 <i>Assembly includes eight 6-73-725 bolts</i>
6.4360 M	7.2500	.375 D	8	—	2.7500	2.1410	4.7030	3	6-1-5851X		6-1-5781 <i>Assembly includes eight 6-73-725 bolts</i>
2.0000-10 Spline											
3.7500 F	4.7500	.500 D	4	—	2.9380	3.0000	3.6250	1			4-1-2361
3.7500 F	4.7500	.500 D	4	3.7500	2.7500	3.0000	3.6250	1			4-1-3781
6.6250 F	6.1250	.375 D	8	—	2.7500	3.0000	3.6250	3			5-1-3141
6.6250 F	6.1250	.375 D	8	—	2.9380	3.0000	3.6250	3			5-1-3161
6.6250 F	6.1250	.375 D	8	—	3.2500	3.0000	3.6250	3			5-1-931
7.7500 F	7.2500	.438 D	12	—	2.9380	2.5620	3.2500	4			6.5-1-831
7.7500 F	7.2500	.375 D	8	5.8750	2.9380	2.5620	3.2500	3	6-1-198X	98-1361	6-1-2141
7.7500 F	7.2500	.375 D	8	—	2.7500	3.0000	3.6880	3			6-1-2221
7.7500 F	7.2500	.375 D	8	—	3.2500	3.0000	3.6880	3			6-1-791
7.7500 F	7.2500	.375 D	8	—	3.2500	3.1250	3.8120	3			6-1-911



Spline Hole

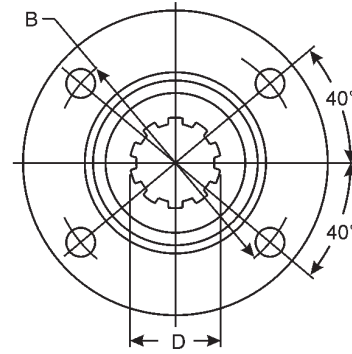
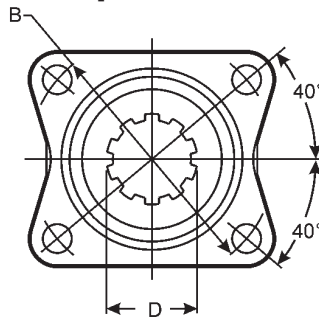
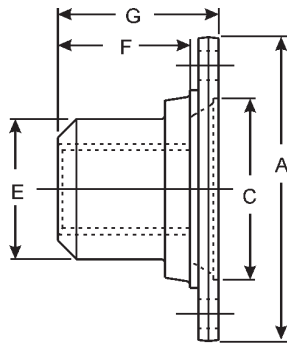


Figure 1

Figure 2

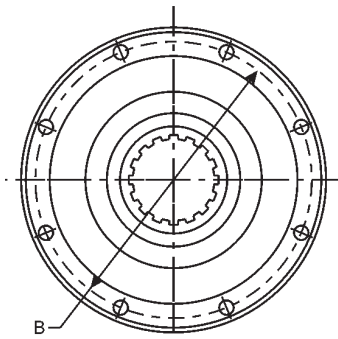


Figure 3

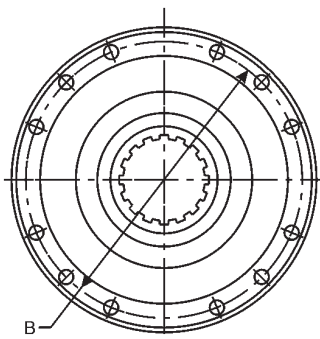


Figure 4

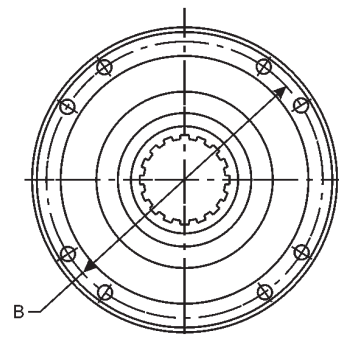


Figure 5

C Pilot Diameter F-Female M-Male	B Bolt Circle Diameter	Bolt Hole		Brake Drum Pilot Diameter	E Ground Hub Diameter	F Length Thru Hole	G Flange Face to End of Hub	F i g u r e #	Companion Flange Assembly (Order When Listed)	Flinger Part Number	Companion Flange Part Number
		Diameter D-Drilled T-Tapped	# of Holes								
2.1140-32 Involute Spline											
6.6250 F	6.1250	.375 D	8	—	3.0000	2.2450	2.8440	3	5-1-6701X	232200	5-1-6691 .424 depth counterbore at hub end
2.2500-6 Spline											
6.6250 F	6.1250	.375 D	8	—	3.0000	3.2500	3.8750	3			5-1-2541
6.6250 F	6.1250	.375 D	8	—	3.0000	3.2500	4.4690	3			5-1-2211
7.7500 F	7.2500	.375 D	8	—	3.0000	3.2500	3.7500	3			6-1-1731
7.7500 F	7.2500	.375 D	8	—	3.0000	3.2500	4.4690	3			6-1-1481
7.7500 F	7.2500	.438 D	12	—	3.0000	3.2500	3.7500	4			6.5-1-481
7.7500 F	7.2500	.438 D	12	—	3.0000	3.2500	4.4690	4			6.5-1-291
2.2500-10 Spline											
3.7500 F	4.7500	.500 D	4	3.6250	2.7970	2.0000	2.6250	1			4-1-2591
6.6250 F	6.1250	.375 D	8	—	3.5000	3.0000	3.6250	3			5-1-6331
7.7500 F	7.2500	.375 D	8	—	2.7500	2.2500	2.9380	3			6-1-4411
7.7500 F	7.2500	.375 D	8	—	3.0000	3.0000	3.7500	3			6-1-1421 .250 depth counterbore at hub end
7.7500 F	7.2500	.375 D	8	—	3.5000	3.0000	3.6880	3			6-1-951
7.7500 F	7.2500	.438 D	12	—	3.0000	3.0000	3.7500	4			6.5-1-211 .250 depth counterbore at hub end
7.7500 F	7.2500	.438 D	12	—	3.5000	3.0000	3.6880	4			6.5-1-151
8.0000 M	7.2500	.375 D	8	8.0000	3.5000	3.0000	3.8750	3			6-1-1031 Use with thru stop brake disc. mount between flange & yoke
2.2740-44 Involute Spline											
7.7500 F	7.2500	.438 D	12	—	2.9380	2.5000	3.0940	4	6.5-1-2401X	231022	6.5-1-2391
2.3500-16 Spline											
7.7500 F	7.2500	.438 D	12	—	3.3170	2.7500	3.4380	4			6.5-1-1811 For use on coupling shaft
7.7500 F	7.2500	.375 D	8	—	3.3120	2.7500	3.4380	3			6-1-5581 For use on coupling shaft



COMPANION FLANGES

Spline Hole



C Pilot Diameter F-Female M-Male	B Bolt Circle Diameter	Bolt Hole		Brake Drum Pilot Diameter	E Ground Hub Diameter	F Length Thru Hole	G Flange Face to End of Hub	F i g u r e #	Companion Flange Assembly (Order When Listed)	Flinger Part Number	Companion Flange Part Number
		Diameter D-Drilled T-Tapped	# of Holes								
2.3510-16 Spline											
7.7500 F	7.2500	.375 D	8	—	3.7500	2.7500	3.0000	3			6-1-4571
7.7500 F	7.2500	.375 D	8	—	3.7500	2.7500	3.0000	3	<i>W/speedo gear hub and no.3 woodruff keyway</i>		6-1-4861
									<i>W/speedo gear hub and no.3 woodruff keyway</i>		
2.3640-18 Involute Spline											
7.7500 F	7.2500	.438 D	12	—	3.5000	3.3750	4.0310	4			6.5-1-1801
7.7500 F	7.2500	.438 D	12	—	2.7500	2.3280	3.0000	4			6.5-1-2301
7.7500 F	7.2500	.375 D	8	6.6560	3.5000	3.3750	4.0310	3			6-1-4541
2.3740-46 Involute Spline											
7.7500 F	7.2500	.438 D	12	—	3.7500	2.3910	3.1090	4			6.5-1-2441
7.7500 F	7.2500	.438 D	12	—	3.5000	2.3910	6.6250	-	<i>With speedometer gear hub</i>		6.5-1-2591
									<i>Special Mack flange, 4 additional counterbore .312 dia holes</i>		
2.3900-46 Involute Spline											
6.4380 M	7.2500	.375 D	8	—	3.5000	3.3750	3.7810	3	6-1-4631X		6-1-4611
									<i>Assembly includes eight 6-73-725 bolts</i>		
6.4380 M	7.2500	.375 D	8	—	3.5000	3.3750	4.5470	3			6-1-4681
7.7500 F	7.2500	.375 D	8	—	3.5000	3.3750	4.5470	3			6-1-4671
2.5000-10 Spline											
7.7500 F	7.2500	.438 D	12	—	3.7500	3.0000	3.6250	4	6.5-1-2351X	231616	6.5-1-2271
7.7500 F	7.2500	.375 D	8	—	3.2500	3.0000	3.6880	3			6-1-4481
7.7500 F	7.2500	.375 D	8	—	3.7500	3.0000	3.6250	3	6-1-5651X	231616	6-1-5541
2.5000-19 Involute Spline											
7.0000 F	8.2500	.625-18 T	8	—	3.5000	4.0000	5.5160	5			8-1-191
2.5030-19 Involute Spline											
7.7500 F	7.2500	.438 D	12	6.6250	3.5000	3.0000	3.8440	4			6.5-1-1361
									<i>.250 depth counterbore at hub end</i>		
2.5470-49 Involute Spline											
7.7500 M	7.2500	.375-24 T	8	—	4.0000	2.7340	6.3120	3			6-1-5821
									<i>.250 depth counterbore at hub end</i>		
2.5600-20 Involute Spline											
6.4350 M	7.2500	.375 D	8	—	3.5000	3.3440	3.7500	3			6-1-5421
7.7500 F	7.2500	.438 D	12	6.6250	3.5000	3.3440	4.0000	4			6.5-1-2161
2.6250-20 Involute Spline											
7.7500 F	7.2500	.375 D	8	—	3.7500	2.7500	3.0000	3	6-1-5691X	231745	6-1-4881
									<i>With Speedometer Gear Hub</i>		
2.6250-25 Involute Spline											
7.7500 F	7.2500	.375 D	8	—	3.5000	3.0160	3.6250	3			6-1-5511
2.6350-20 Involute Spline											
7.7500 F	7.2500	.438 D	12	—	3.7500	2.7660	3.0000	4	6.5-1-2501X	231745	6.5-1-1991
									<i>With Speedometer Gear Hub</i>		
2.7500-10 Spline											
6.6250 F	6.1250	.375 D	8	—	3.7500	3.0000	4.0600	3	5-1-6611X	231616	5-1-6601
7.7500 F	7.2500	.438 D	12	—	4.0000	2.9380	3.7500	4			6.5-1-1871
									<i>With Speedometer Gear Hub</i>		
7.7500 F	7.2500	.438 D	12	—	3.7500	3.0000	4.0620	4	6.5-1-2361X	231616	6.5-1-2311
7.7500 F	7.2500	.438 D	8	—	3.5000	3.0000	4.0620	4			6.5-1-741
8.0000 M	7.2500	.375 D	8	8.0000	3.5000	3.0000	3.6880	3			6-1-2381
									<i>Use with thru stop brake disc. mount between flange & yoke</i>		
2.7840-21 Involute Spline											
6.4380 M	7.2500	.438 D	16	—	3.5000	3.0000	4.1250	-			6-1-5231
									<i>Part has 16 equally spaced holes</i>		
3.0000-10 Spline											
7.0000 F	8.2500	.625 D	8	—	4.0000	3.0000	4.7500	5			8-1-141
3.5030-27 Involute Spline											
7.0000 F	8.2500	.625 D	8	—	5.0000	4.0000	5.1880	5	8-1-791X	230922	8-1-751



Circular Type—Straight Round Hole

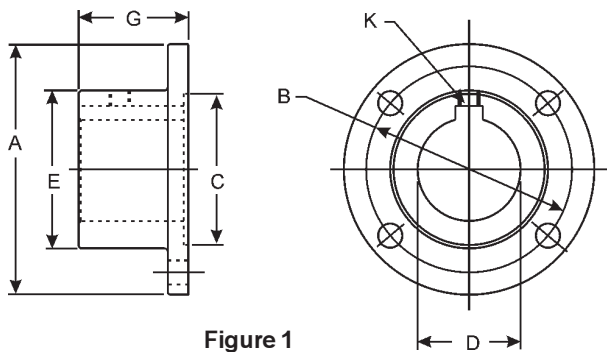


Figure 1

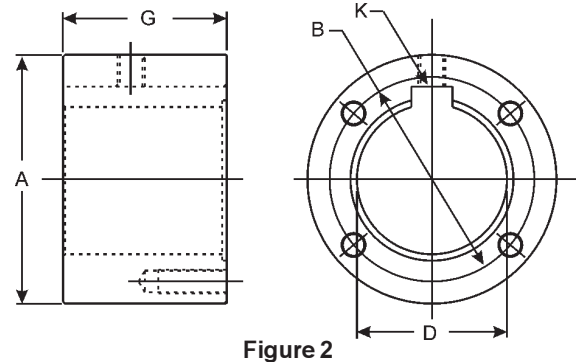


Figure 2

D	K	C	Figure #	Bolt Hole Diameter D-Drilled T-Tapped	E	F	G	Companion Flange Part Number
Bore Diameter	Keyway Width	Pilot Diameter F-Female M-Male			Hub Diameter	Length Thru Hole	Flange Face to End of Hub	
1310 SERIES			A-3.875 B-3.125 DIA.		(4 HOLES)			
.7500	—	2.3750 F	1	.375 D	2.4380	2.0000	2.0000	2-1-1313
1.0000	.2500	2.3750 F	1	.375 D	2.4380	2.0000	2.0000	2-1-1313-1
1.1250	.2500	2.3750 F	1	.375 D	2.4380	2.0000	2.0000	2-1-1313-2
1.2500	.2500	2.3750 F	1	.375 D	2.4380	2.0000	2.0000	2-1-1313-3
1.2500	.3120	2.3750 F	1	.375 D	2.4380	2.0000	2.0000	2-1-1313-4
1.3750	.3120	2.3750 F	1	.375 D	2.4380	2.0000	2.0000	2-1-1313-5
1.3750	—	2.3750 F	2	.375 -24 T	3.8750	2.5000	2.5000	2-1-1323
1.4380	.3750	2.3750 F	1	.375 D	2.4380	2.0000	2.0000	2-1-1313-7
1.5000	.3750	2.3750 F	1	.375 D	2.4380	2.0000	2.0000	2-1-1313-8
1.6250	.3750	2.3750 F	1	.375 D	2.4380	2.0000	2.0000	2-1-1313-9
1.7500	.3750	2.3750 F	2	.375-24 T	3.8750	2.5000	2.5000	2-1-1323-1
1.8750	.3750	2.3750 F	2	.375-24 T	3.8750	2.5000	2.5000	2-1-1323-2
1.8750	.5000	2.3750 F	2	.375-24 T	3.8750	2.5000	2.5000	2-1-1323-3
2.0000	.5000	2.3750 F	2	.375-24 T	3.8750	2.5000	2.5000	2-1-1323-4
2.1250	.5000	2.3750 F	2	.375-24 T	3.8750	2.5000	2.5000	2-1-1323-5
2.3750	.6250	2.3750 F	2	.375-24T	3.8750	2.5000	2.5000	2-1-1323-7
1350 SERIES			A-4.562 B-3.750 DIA.		(4 HOLES)			
1.0000	—	2.7500 F	1	.438 D	2.8750	2.0000	2.0000	3-1-1013
1.0000	.2500	2.7500 F	1	.438 D	2.8750	2.0000	2.0000	3-1-1013-1
1.1250	.2500	2.7500 F	1	.438 D	2.8750	2.0000	2.0000	3-1-1013-2
1.2500	.2500	2.7500 F	1	.438 D	2.8750	2.0000	2.0000	3-1-1013-3
1.2500	.3120	2.7500 F	1	.438 D	2.8750	2.0000	2.0000	3-1-1013-4
1.3750	.3120	2.7500 F	1	.438 D	2.8750	2.0000	2.0000	3-1-1013-5
1.3750	.3750	2.7500 F	1	.438 D	2.8750	2.0000	2.0000	3-1-1013-6
1.4380	.3750	2.7500 F	1	.438 D	2.8750	2.0000	2.0000	3-1-1013-7
1.5000	.3750	2.7500 F	1	.438 D	2.8750	2.0000	2.0000	3-1-1013-8
1.6250	.3750	2.7500 F	1	.438 D	2.8750	2.0000	2.0000	3-1-1013-9
1.7500	—	2.7500 F	2	.438-20 T	4.5620	3.0000	3.0000	3-1-1023
1.7500	.3750	2.7500 F	1	.438 D	2.8750	2.0000	2.0000	3-1-1013-10
1.8750	.3750	2.7500 F	1	.438 D	2.8750	2.0000	2.0000	3-1-1013-11
1.8750	.5000	2.7500 F	1	.438 D	2.8750	2.0000	2.0000	3-1-1013-12
2.0000	.5000	2.7500 F	2	.438-20 T	4.5620	3.0000	3.0000	3-1-1023-1
2.1250	.5000	2.7500 F	2	.438-20 T	4.5620	3.0000	3.0000	3-1-1023-2
2.2500	.5000	2.7500 F	2	.438-20 T	4.5620	3.0000	3.0000	3-1-1023-10
2.2500	.6250	2.7500 F	2	.438-20 T	4.5620	3.0000	3.0000	3-1-1023-3
2.3750	.6250	2.7500 F	2	.438-20 T	4.5620	3.0000	3.0000	3-1-1023-4
2.4380	.6250	2.7500 F	2	.438-20 T	4.5620	3.0000	3.0000	3-1-1023-5



COMPANION FLANGES

Circular Type—Straight Round Hole



D	K	C	Figure #	Bolt Hole Diameter D-Drilled T-Tapped	E	F	G	Companion Flange Part Number
Bore Diameter	Keyway Width	Pilot Diameter F-Female M-Male			Hub Diameter	Length Thru Hole	Flange Face to End of Hub	
1350 SERIES (Continued)		A-4.562		B-3.750 DIA.		(4 HOLES)		
1.7500	.5000	2.7500 F	2	.438-20 T	4.5620	3.0000	3.0000	3-1-1023-13
2.3750	.7500	2.7500 F	2	.438-20 T	4.5620	3.0000	3.0000	3-1-1023-8
2.5000	.6250	2.7500 F	2	.438-20 T	4.5620	3.0000	3.0000	3-1-1023-6
2.7500	.6250	2.7500 F	2	.438-20 T	4.5620	3.0000	3.0000	3-1-1023-7
2.6250	.7500	2.7500 F	2	.438-20 T	4.5620	3.0000	3.0000	3-1-1023-9
1480 SERIES		A-5.875		B-4.750 DIA.		(4 HOLES)		
1.2500	—	3.7500 F	1	.500 D	3.7500	2.5000	2.4000	4-1-1133
1.5000	.3750	3.7500 F	1	.500 D	3.7500	2.5000	2.5000	4-1-1133-1
1.6250	.3750	3.7500 F	1	.500 D	3.7500	2.5000	2.5000	4-1-1133-2
1.7500	.3750	3.7500 F	1	.500 D	3.7500	2.5000	2.5000	4-1-1133-3
1.8750	.3750	3.7500 F	1	.500 D	3.7500	2.5000	2.5000	4-1-1133-4
1.8750	.5000	3.7500 F	1	.500 D	3.7500	2.5000	2.5000	4-1-1133-5
2.0000	.5000	3.7500 F	1	.500 D	3.7500	2.5000	2.5000	4-1-1133-6
2.1250	.5000	3.7500 F	1	.500 D	3.7500	2.5000	2.5000	4-1-1133-7
2.2500	.5000	3.7500 F	1	.500 D	3.7500	2.5000	2.5000	4-1-1133-13
2.2500	.6250	3.7500 F	1	.500 D	3.7500	2.5000	2.5000	4-1-1133-8
2.3750	—	3.7500 F	2	.500-20 T	5.8750	3.0000	3.0000	4-1-1143
							<i>.250-20 th'd holes at 12 & 3</i>	
2.3750	.6250	3.7500 F	1	.500 D	3.7500	2.5000	2.5000	4-1-1133-9
2.4380	.6250	3.7500 F	1	.500 D	3.7500	2.5000	2.5000	4-1-1133-10
2.5000	.6250	3.7500 F	2	.500-20 T	5.8750	3.0000	3.0000	4-1-1143-1
2.7500	.6250	3.7500 F	2	.500-20 T	5.8750	3.0000	3.0000	4-1-1143-2
2.9380	.7500	3.7500 F	2	.500-20 T	5.8750	3.0000	3.0000	4-1-1143-3
3.0000	.7500	3.7500 F	2	.500-20 T	5.8750	3.0000	3.0000	4-1-1143-4
3.5000	.8750	3.7500 F	2	.500-20 T	5.8750	3.0000	3.0000	4-1-1143-5



COMPANION FLANGE

Circular Type—Straight Round Hole

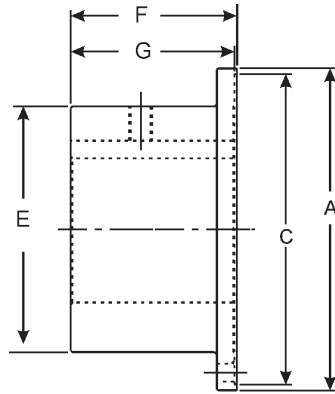


Figure 1

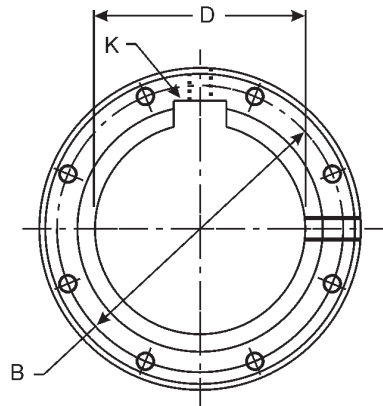


Figure 2

D	K	C	Figure #	Bolt Hole Diameter D-Drilled T-Tapped	E	F	G	Companion Flange Part Number
Bore Diameter	Keyway Width	Pilot Diameter F-Female M-Male			Hub Diameter	Length Thru Hole	Flange Face to End of Hub	
1610 SERIES			A-6.875 B-6.125 DIA.		(8 HOLES)			
1.2500	—	6.6250 F	1	.375 D	5.2500	3.5000	3.5000	5-1-873
1.8750	.3750	6.6250 F	1	.375 D	5.2500	3.5000	3.5000	5-1-873-14
2.0000	.5000	6.6250 F	1	.375 D	5.2500	3.5000	3.5000	5-1-873-1
2.1250	.5000	6.6250 F	1	.375 D	5.2500	3.5000	3.5000	5-1-873-2
2.2500	.6250	6.6250 F	1	.375 D	5.2500	3.5000	3.5000	5-1-873-3
2.3750	.6250	6.6250 F	1	.375 D	5.2500	3.5000	3.5000	5-1-873-4
2.4380	.6250	6.6250 F	1	.375 D	5.2500	3.5000	3.5000	5-1-873-5
2.5000	.6250	6.6250 F	1	.375 D	5.2500	3.5000	3.5000	5-1-873-6
2.7500	.6250	6.6250 F	1	.375 D	5.2500	3.5000	3.5000	5-1-873-7
2.9380	.7500	6.6250 F	1	.375 D	5.2500	3.5000	3.5000	5-1-873-8
3.0000	.7500	6.6250 F	1	.375 D	5.2500	3.5000	3.5000	5-1-873-9
3.1250	—	6.6250 F	2	.375-24 T	6.8750	5.0000	5.0000	5-1-883
3.5000	.8750	6.6250 F	2	.375-24 T	6.8750	5.0000	5.0000	5-1-883-1
3.9000	.6250	6.6250 F	2	.375-24 T	6.8750	5.0000	5.0000	5-1-883-2
4.0000	1.0000	6.6250 F	2	.375-24 T	6.8750	5.0000	5.0000	5-1-883-3
1710 SERIES			A-8.000 B-7.750 DIA.		(8 HOLES)			
1.2500	—	7.7500 F	1	.375 D	6.3750	4.0000	4.0000	6-1-1253
2.4380	.6250	7.7500 F	1	.375 D	6.3750	4.0000	4.0000	6-1-1253-1
2.5000	.6250	7.7500 F	1	.375 D	6.3750	4.0000	4.0000	6-1-1253-2
2.7500	.6250	7.7500 F	1	.375 D	6.3750	4.0000	4.0000	6-1-1253-3
2.9380	.7500	7.7500 F	1	.375 D	6.3750	4.0000	4.0000	6-1-1253-4
3.0000	.7500	7.7500 F	1	.375 D	6.3750	4.0000	4.0000	6-1-1253-5
3.5000	—	7.7500 F	2	.375-24 T	8.0000	6.0000	6.0000	6-1-1263
3.5000	.8750	7.7500 F	1	.375 D	6.3750	4.0000	4.0000	6-1-1253-6
3.9380	1.0000	7.7500 F	1	.375 D	6.3750	4.0000	4.0000	6-1-1253-7
1810 SERIES			A-8.000 B-7.750 DIA.		(12 HOLES)			
1.2500	—	7.7500 F	1	.438 D	6.3750	4.0000	4.0000	6.5-1-533
2.4380	.6250	7.7500 F	1	.438 D	6.3750	4.0000	4.0000	6.5-1-533-1
2.5000	.6250	7.7500 F	1	.438 D	6.3750	4.0000	4.0000	6.5-1-533-2
2.7500	.6250	7.7500 F	1	.438 D	6.3750	4.0000	4.0000	6.5-1-533-3
2.9380	.7500	7.7500 F	1	.438 D	6.3750	4.0000	4.0000	6.5-1-533-4
3.0000	.7500	7.7500 F	1	.438 D	6.3750	4.0000	4.0000	6.5-1-533-5
3.5000	—	7.7500 F	2	.438-20 T	8.0000	6.0000	6.0000	6.5-1-543
3.5000	.8750	7.7500 F	1	.438 D	6.3750	4.0000	4.0000	6.5-1-533-6
3.9380	1.0000	7.7500 F	1	.438 D	6.3750	4.0000	4.0000	6.5-1-533-7
4.0000	1.0000	7.7500 F	1	.438 D	6.3750	4.0000	4.0000	6.5-1-533-8



COMPANION FLANGES

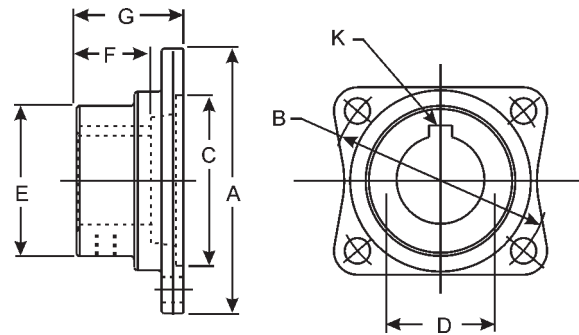
Circular Type—Straight Round Hole

D	K	C	Figure #	Bolt Hole Diameter D-Drilled T-Tapped	E	F	G	Companion Flange Part Number
Bore Diameter	Keyway Width	Pilot Diameter F-Female M-Male			Hub Diameter	Length Thru Hole	Flange Face to End of Hub	
1880 SERIES		A-9.500 B-8.250 DIA.		(8 HOLES)				
1.5000	—	7.0000 F	1	.625 D	6.8750	5.0000	5.0000	9-1-333
2.7500	.6250	7.0000 F	1	.625 D	6.8750	5.0000	5.0000	9-1-333-1
2.9380	.7500	7.0000 F	1	.625 D	6.8750	5.0000	5.0000	9-1-333-2
3.0000	.7500	7.0000 F	1	.625 D	6.8750	5.0000	5.0000	9-1-333-3
3.7500	.8750	7.0000 F	1	.625 D	6.8750	5.0000	5.0000	9-1-333-7
3.9380	1.0000	7.0000 F	1	.625 D	6.8750	5.0000	5.0000	9-1-333-5
4.0000	1.0000	7.0000 F	1	.625 D	6.8750	5.0000	5.0000	9-1-333-6
4.2500	—	7.0000 F	2	.625-18 T	9.5000	6.0000	6.0000	9-1-343



COMPANION FLANGES

Rectangular Type—Straight Round Hole

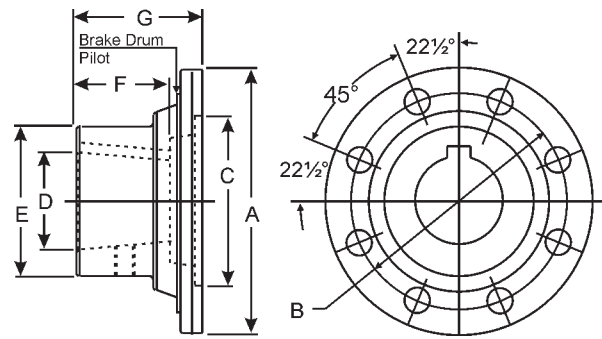


Bore Diameter	Keyway Width	Pilot Diameter F-Female M-Male	Set Screw Hole Viewed from Hub End & Keyway at 12		Hub Diameter	Length Thru Hole	Flange Face to End of Hub	Companion Flange Part Number
			Hole Diameter	At				
1000/1100 SERIES								
		A-3.500	B-2.750 DIA.		(4 HOLES .325 DIA)			
.8750	.1880	2.2500 F	.3750	6	1.8750	1.5000	2.1250	1-1-253
.8750	.2500	2.2500 F	.3750	6	1.8750	1.5000	2.1250	1-1-293
1.0000	.2500	2.2500 F	.3750	6	1.8750	1.5000	2.1250	1-1-143
1.1250	.2500	2.2500 F	.3750	6&9	1.8750	1.5000	2.1250	1-1-153
1.1250	.3120	2.2500 F	.3750	6	1.8750	1.5000	2.1250	1-1-123
1.2500	.3120	2.2500 F	.3750	6	1.8750	1.5000	2.1250	1-1-273
1.2500	.3120	2.2500 F	.3750	3	1.8750	1.5000	2.1250	1-1-653
1.3750	.3120	2.2500 F	.3750	6	2.1250	1.5000	2.1250	1-1-473
1310 SERIES								
		A-3.875	B-3.125 DIA.		(4 HOLES .375 DIA)			
.8750	.1880	2.3750 F	.3750	6	1.8750	1.5000	2.0620	2-1-623
.8750	.2500	2.3750 F	.3750	6	1.8800	1.5000	2.0600	2-1-513
1.0000	.2500	2.3750 F	.3750	6	1.8750	1.5000	2.0620	2-1-283
1.1250	.2500	2.3750 F	.3750	6&9	1.8750	1.5000	2.0620	2-1-293
1.1250	.3120	2.3750 F	.3750	6	1.8750	1.5000	2.0620	2-1-303
1.2500	.2500	2.3750 F	.3750	6	1.8750	1.5000	2.0620	2-1-323
1.2500	.3120	2.3750 F	.3750	6	1.8750	1.5000	2.0620	2-1-333
1.3750	.3120	2.3750 F	.3750	6	—	1.5000	2.0620	2-1-903
1.5000	.3750	2.3750 F	.3750	6	2.4380	2.0000	2.6250	2-1-933
<i>Hub dia. not ground</i>								
1350 SERIES								
		A-4.562	B-3.750 DIA.		(4 HOLES .438 DIA)			
1.0000	—	2.7500 F	—	—	2.8750	2.6250	3.4380	3-1-303
1.0000	.3780	2.7500 F	.3750	12	2.8750	2.6250	3.4380	3-1-303-7
1.2500	.3120	2.7500 F	.3750	6	2.2500	2.0000	2.5620	3-1-163
1.5000	.3750	2.7500 F	—	—	2.2500	2.0000	2.5620	3-1-333
1.5000	.3780	2.7500 F	.3750	12	2.8750	2.6250	3.4380	3-1-303-5
1480 SERIES								
		A-5.875	B-4.750 DIA.		(4 HOLES .500 DIA)			
1.2500	—	3.7500 F	—	—	3.0000	3.0620	3.6250	4-1-543



COMPANION FLANGES

Circular Type—Taper Hole

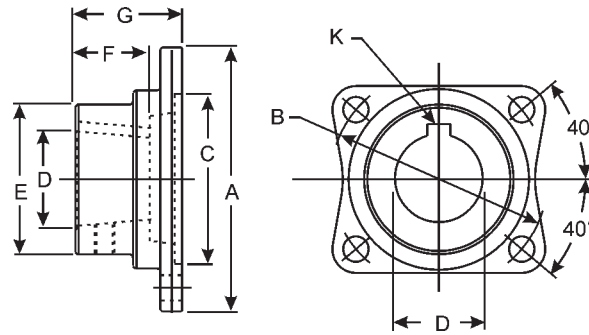


C	D - Taper Hole		E	F	G	Brake Drum Pilot Diameter	Companion Flange Part Number
Pilot Diameter M-Male F-Female	Bore Diameter	Width of Keyway	Ground Hub Diameter	Length Thru Hole	Flange Face to End of Hub		
1310 SERIES		A-Rect. 3.875 B-3.125 DIA.		(4 HOLES-.375 DIA.)			
1.125 SAE Taper							
2.3750-F	1.1250	.3125	1.8750	1.5000	2.0781	—	2-1-574
1.375 SAE Taper							
2.3750-F	1.3750	.3750	2.2500	2.0000	2.6250	—	2-1-634
1.500 SAE Taper							
2.3750-F	1.5000	.3750	2.3750	2.0000	2.6250	—	2-1-684
1350/1410 Series		A-Rect. 4.625 B-3.750 DIA.		(4 HOLES-.438 DIA.)			
1.250 SAE Taper							
2.7500-F	1.2500	.3125	2.1250	1.5000	2.4375	3.0000	3-1-604
1.375 SAE Taper							
2.7500-F	1.3750	.3750	2.2500	2.0000	2.5625	—	3-1-584
2.7500-F	1.3750	.3750	2.2500	2.0000	2.5625	3.1094	3-1-1054



COMPANION FLANGE

Rectangular Type—Taper Hole



C Pilot Diameter M-Male F-Female	D - Taper Hole		E Ground Hub Diameter	F Length Thru Hole	G Flange Face to End of Hub	Brake Drum Pilot Diameter	Companion Flange Part Number
	Bore Diameter	Width of Keyway					
1610 Series	A-Circular 6.875 B-6.1250 DIA.				(8 HOLES-.375 DIA.)		
1.750 SAE Taper 6.6250-F	1.750	.4375	2.7500	2.2500	2.9375	—	5-1-1154
2.000 SAE Taper 6.6250-F	2.000	.5000	3.2500	3.0000	3.6250	—	5-1-1924
1650/1710 Series	A-Circular 8.000 B-7.2500 DIA.				(8 HOLES-.375 DIA.)		
2.000 SAE Taper 7.7500-F	2.000	.5000	3.2500	3.0000	3.6875	—	6-1-1144







1-1-123	14	2-1-623	14	3-1-3881	5	4-1-3721	6
1-1-143	14	2-1-634	15	3-1-3971	5	4-1-3761	7
1-1-153	14	2-1-684	15	3-1-4001	5	4-1-3781	7
1-1-253	14	2-1-903	14	3-1-4031	5	4-1-3891	6
1-1-273	14	2-1-933	14	3-1-4041X	5	4-1-4011	5
1-1-293	14	3-1-1013	10	3-1-4141	5	4-1-4121	5
1-1-473	14	3-1-1013-1	10	3-1-4271	5	4-1-4421	7
1-1-653	14	3-1-1013-10	10	3-1-4321	4	4-1-4451	5
2-1-1313	10	3-1-1013-11	10	3-1-4371	4	4-1-4471	7
2-1-1313-1	10	3-1-1013-12	10	3-1-4821	5	4-1-4471	7
2-1-1313-2	10	3-1-1013-2	10	3-1-4881X	5	4-1-4481X	7
2-1-1313-3	10	3-1-1013-3	10	3-1-4941	5	4-1-4491	7
2-1-1313-4	10	3-1-1013-4	10	3-1-4951	5	4-1-4501X	7
2-1-1313-5	10	3-1-1013-5	10	3-1-4961X	5	4-1-4561	7
2-1-1313-7	10	3-1-1013-6	10	3-1-584	15	4-1-4571X	7
2-1-1313-8	10	3-1-1013-7	10	3-1-604	15	4-1-5021	7
2-1-1313-9	10	3-1-1013-8	10	3-1-751	5	4-1-5131	6
2-1-1323	10	3-1-1013-9	10	3-1-811	5	4-1-5201X	7
2-1-1323-1	10	3-1-1023	10	3-1-871	5	4-1-5211X	6
2-1-1323-2	10	3-1-1023-1	10	4-1-1011	5	4-1-543	14
2-1-1323-3	10	3-1-1023-10	10	4-1-1133	11	4-1-601	7
2-1-1323-4	10	3-1-1023-13	11	4-1-1133-1	11	4-1-6041	7
2-1-1323-5	10	3-1-1023-2	10	4-1-1133-10	11	4-1-6051X	7
2-1-1323-7	10	3-1-1023-3	10	4-1-1133-13	11	4-1-7001	6
2-1-1641	4	3-1-1023-4	10	4-1-1133-2	11	5-1-1154	16
2-1-1871	4	3-1-1023-5	10	4-1-1133-3	11	5-1-1291	5
2-1-1881X	4	3-1-1023-6	11	4-1-1133-4	11	5-1-1924	16
2-1-1961	5	3-1-1023-7	11	4-1-1133-5	11	5-1-2211	8
2-1-2091	5	3-1-1023-8	11	4-1-1133-6	11	5-1-2321	6
2-1-2341	4	3-1-1023-9	11	4-1-1133-7	11	5-1-2421	5
2-1-2391	4	3-1-1054	15	4-1-1133-8	11	5-1-2541	8
2-1-2571	4	3-1-1141	5	4-1-1133-9	11	5-1-3141	7
2-1-2581	4	3-1-1151	5	4-1-1143	11	5-1-3161	7
2-1-2641	4	3-1-1181	5	4-1-1143-1	11	5-1-4291	7
2-1-2651X	4	3-1-1521	6	4-1-1143-2	11	5-1-4301	7
2-1-2741X	4	3-1-163	14	4-1-1143-3	11	5-1-5111	7
2-1-2791	4	3-1-2011	5	4-1-1143-4	11	5-1-5121X	7
2-1-283	14	3-1-2181	5	4-1-1143-5	11	5-1-5141	7
2-1-2831	4	3-1-2311	5	4-1-1381	6	5-1-5151X	7
2-1-2841X	4	3-1-2431	5	4-1-2361	7	5-1-6271	7
2-1-2891	4	3-1-2931	5	4-1-2491	5	5-1-6331	8
2-1-2911	4	3-1-303	14	4-1-2591	8	5-1-6431	6
2-1-2921	5	3-1-303-5	14	4-1-2661	7	5-1-6471X	7
2-1-293	14	3-1-303-7	14	4-1-2701	5	5-1-6481	7
2-1-2931	4	3-1-3101	5	4-1-2751	6	5-1-6511	6
2-1-2961	5	3-1-3181	5	4-1-3101	6	5-1-6531	6
2-1-2991	5	3-1-3191	5	4-1-3151	5	5-1-6541X	6
2-1-3001X	5	3-1-3211	6	4-1-3171	6	5-1-6551	7
2-1-3021	4	3-1-333	14	4-1-3241	6	5-1-6561X	7
2-1-303	14	3-1-3341	5	4-1-3321	6	5-1-6581	6
2-1-3031X	4	3-1-3431	5	4-1-3331X	6	5-1-6591X	6
2-1-323	14	3-1-3531	6	4-1-3441	5	5-1-6601	9
2-1-333	14	3-1-3651	5	4-1-3561	6	5-1-6611X	9
2-1-513	14	3-1-3711	5	4-1-3571	6	5-1-6641X	7
2-1-574	15	3-1-3851	4	4-1-3611	6	5-1-6691	8



5-1-6701X	8	6-1-1253-1	12	9-1-333-2	13
5-1-6781	7	6-1-1253-2	12	9-1-333-3	13
5-1-6791X	7	6-1-1253-3	12	9-1-333-5	13
5-1-811	6	6-1-1253-4	12	9-1-333-6	13
5-1-873	12	6-1-1253-5	12	9-1-333-7	13
5-1-873-1	12	6-1-1253-6	12	9-1-343	13
5-1-873-14	12	6-1-1253-7	12		
5-1-873-2	12	6-1-1263	12		
5-1-873-3	12	6-1-1421	8		
5-1-873-4	12	6-1-1461	7		
5-1-873-5	12	6-1-1481	8		
5-1-873-6	12	6-1-1731	8		
5-1-873-7	12	6-1-1761	6		
5-1-873-8	12	6-1-198X	7		
5-1-873-9	12	6-1-2141	7		
5-1-883	12	6-1-2221	7		
5-1-883-1	12	6-1-2381	9		
5-1-883-2	12	6-1-4411	8		
5-1-883-3	12	6-1-4481	9		
5-1-931	7	6-1-4541	9		
6.5-1-1361	9	6-1-4571	9		
6.5-1-151	8	6-1-4611	9		
6.5-1-1801	9	6-1-4631X	9		
6.5-1-1811	8	6-1-4641	7		
6.5-1-1871	9	6-1-4671	9		
6.5-1-1991	9	6-1-4681	9		
6.5-1-211	8	6-1-4691	7		
6.5-1-2161	9	6-1-4701X	7		
6.5-1-2271	9	6-1-4861	9		
6.5-1-2301	9	6-1-4881	9		
6.5-1-2311	9	6-1-5231	9		
6.5-1-2351X	9	6-1-5361	7		
6.5-1-2361X	9	6-1-5421	9		
6.5-1-2391	8	6-1-5511	9		
6.5-1-2401X	8	6-1-5541	9		
6.5-1-2441	9	6-1-5581	8		
6.5-1-2501X	9	6-1-5651X	9		
6.5-1-2591	9	6-1-5691X	9		
6.5-1-291	8	6-1-5781	7		
6.5-1-481	8	6-1-5821	9		
6.5-1-533	12	6-1-5841X	7		
6.5-1-533-1	12	6-1-5851X	7		
6.5-1-533-2	12	6-1-6111	7		
6.5-1-533-3	12	6-1-6121X	7		
6.5-1-533-4	12	6-1-791	7		
6.5-1-533-5	12	6-1-911	7		
6.5-1-533-6	12	6-1-951	8		
6.5-1-533-7	12	8-1-141	9		
6.5-1-533-8	12	8-1-191	9		
6.5-1-543	12	8-1-751	9		
6.5-1-741	9	8-1-791X	9		
6.5-1-831	7	90-1-11	7		
6-1-1031	8	90-1-21X	7		
6-1-1144	16	9-1-333	13		
6-1-1253	12	9-1-333-1	13		



SPICER®



Commercial Vehicle Service Parts
Dana Corporation
P.O. Box 321
Toledo, OH 43697
Phone:419-866-3900
Fax:419-866-3925

www.dana.com
www2.dana.com/expert

©Dana Corporation, 2001