

Various Disc Caliper Noise Problems

Recently we have had questions arise as to the noise problems with various calipers. The Bendix center abutment caliper (Figure 1) used on many Ford Pintos (since 1971) and newer Chevrolet and GMC 1-ton trucks have this problem of noise. In this bulletin you will find replacement keys for the Chevrolet and GMC 1-ton trucks.

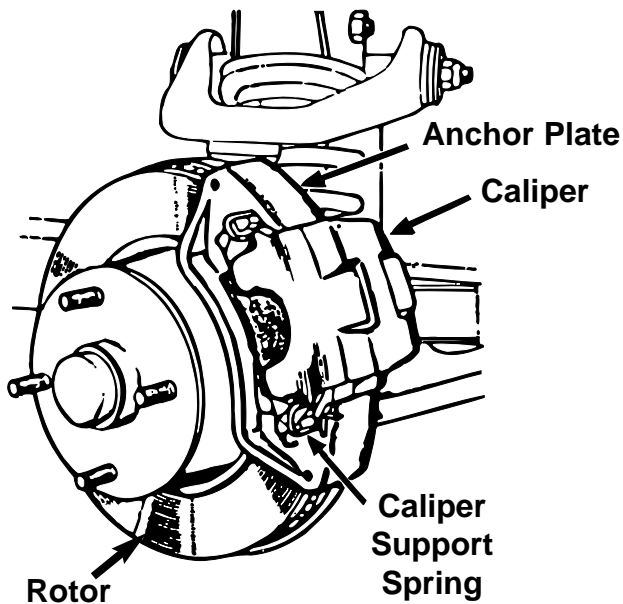


Figure 1

The caliper design is a single piston rail slider. In some instances, wear can occur between the caliper, steering knuckle and support key. This wear creates excessive clearance allowing fore and aft movement of the caliper. This movement can cause excessive vibration resulting in noise. If left unattended, damage to other brake components could result.

After cleaning caliper housing, lay a straightedge across the support key contact area (see Figure 2).

Caliper Inspection

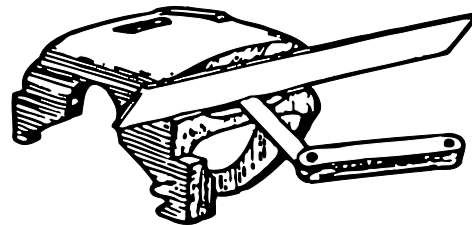


Figure 2

Using a feeler gauge measure the depth of wear in this area. If the measurement exceeds .050", replace the caliper. If the original caliper is to be reused, overhaul caliper before reinstallation. Replace all worn parts, and clean caliper using crocus cloth and brake fluid.

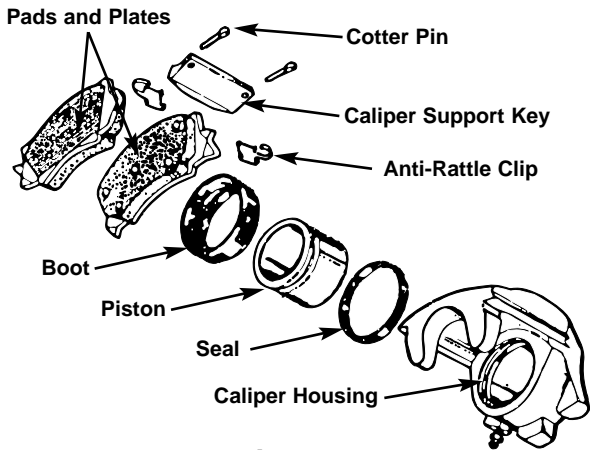


Figure 3

Many of these vehicles may be brought back to O.E. specifications by installing a new oversize key. With the use of an oversize support key and a new support spring, excessive clearance would eliminate wear and noise problems. In very extreme cases, replacement of the steering knuckle, rotor and caliper will be required.

Temporarily-install new or existing caliper into the steering knuckle along with a new support key. **DO NOT** install support spring. Insert screwdriver blade into bumper gap area and pry upward on caliper. Surfaces A, E3, and C (Figure 4) of caliper should seat firmly against steering knuckle. Measure bumper gap with thickest feeler gauge that will fit when inserted lengthwise.

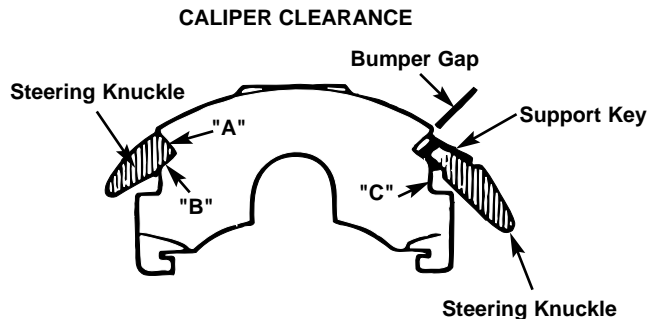


Figure 4

Select the correct oversize key using chart below (Figure 5). Also note key location on Figure 6.

REPLACEMENT MEASUREMENT KEY				
More Than	Not Exceeding	Size	I.D. Marking (Fig. 3)	Wagner Part No.
0	.060"	Std. Size		F-107401
.060"	.100"	.040 O.S.	II	F-107402
.100"	.140"	.080 O.S.	III	F-107403
.140"	.180"	.120 O.S.	IIII	F-107404
.180"	.220"	.160 O.S.	IIII	F-107405
.220"	Replace anchor plate/knuckle and caliper and use standard key and new support spring.			

Figure 5

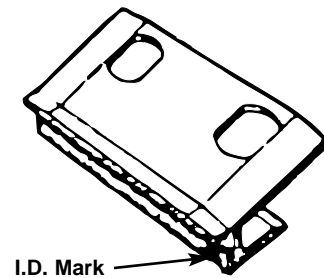


Figure 6