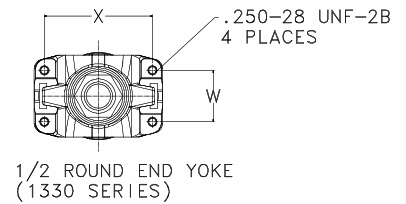
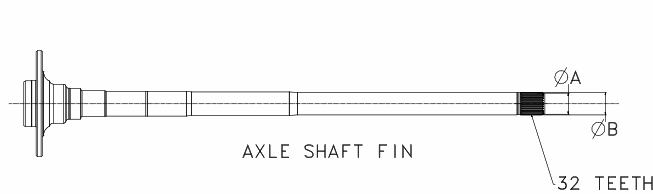
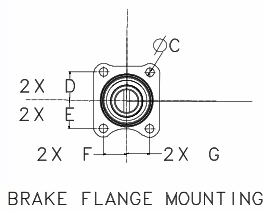
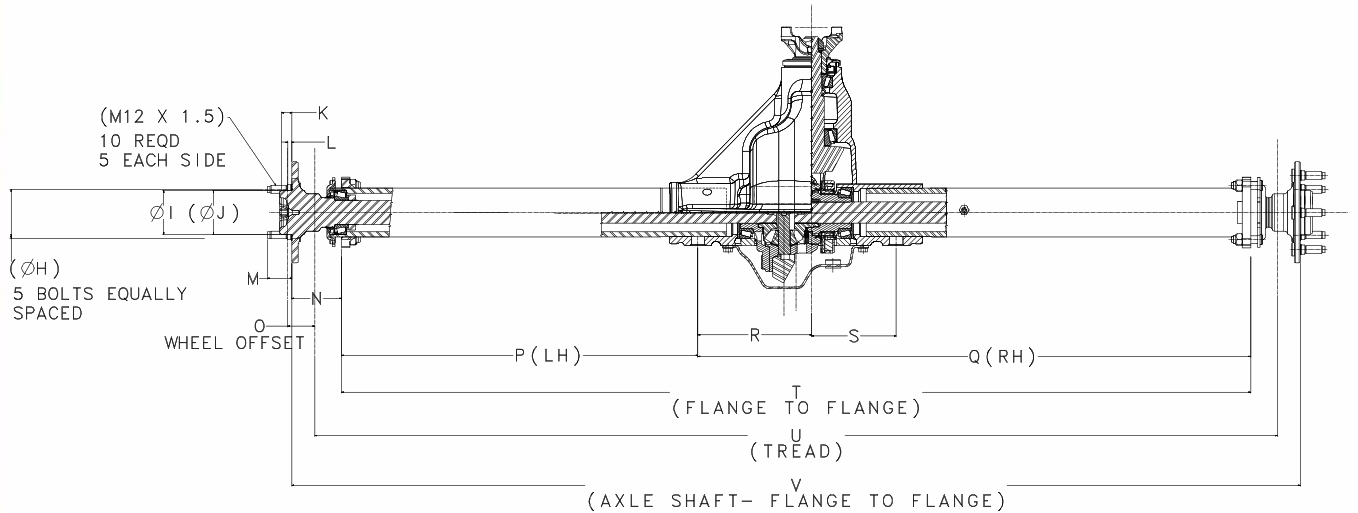




REAR AXLE

Dimensional Specifications



Drawing Reference	Description	MM	Inch	Drawing Reference	Description	MM	Inch
A	Spline - minor diameter	32.461	1.278	M	Wheel stud - length from shaft flange face	40.000	1.575
B	Spline - major diameter	34.671	1.365	N	Offset - brake flange to axle shaft flange	81.000	3.189
C	Brake flange - stud clearance hole	13.150	0.518	O	Wheel offset - estimated	44.450	1.750
D	Brake flange - stud spacing	44.000	1.732	P	Length - left side dowel pin to left side brake flange	582.300	22.925
E	Brake flange - stud spacing	44.000	1.732	Q	Length - left side dowel pin to right brake flange	902.860	35.546
F	Brake flange - stud spacing	36.000	1.417	R	Offset - dowel pin hole to end yoke/pinion center	185.680	7.310
G	Brake flange - stud spacing	36.000	1.417	S	Offset - dowel pin hole to end yoke/pinion center	138.070	5.436
H	Wheel stud - bolt circle	127.000	5.000	T	Length - brake flange to brake flange	1485.010	58.465
I	Wheel pilot	71.935	2.832	U	Wheel tread - estimated	1572.260	61.900
J	Wheel pilot - clearance	71.435	2.812	V	Axle shaft flange to flange	1647.000	64.843
K	Shaft flange face to wheel mounting	16.500	0.650	W	Input end yoke - stud spacing (1350 series)	40.140	1.580
L	Shaft flange face to brake drum mounting	6.840	0.269	X	Input end yoke - stud spacing (1350 series)	84.180	3.314

For more information, please contact your local Spicer products sales representative or visit our website at www.crateaxle.com.

SPICER[®]



Dana Aftermarket Group
PO Box 321 Toledo, Ohio 43697-0321
Phone: 1.800.621.8084
www.spicerparts.com

Form # 44DimSpec-812
Copyright Dana Limited, 2012.
All rights reserved. Dana Limited.
Printed in U.S.A.

