

# *Edelbrock*<sup>®</sup>

## *Advanced Fluid Transfer Systems*



### *2007-08 Automotive Catalog*



## TO OUR VALUED CUSTOMERS...

When Russell joined the Edelbrock family in 2000, we knew it would be the start of good things for the performance automotive enthusiast. One of our first changes was to get the Russell brand ISO certified, which we did in just a year. Now, 2008 marks the 70th anniversary for Edelbrock, and Russell performance plumbing products continue to be the perfect compliment to any Edelbrock-equipped engine. When my father founded the company in 1938, he believed in doing it better or not doing it at all, and my dedicated and hard-working team strives to achieve the very same thing today.

This year promises to be an exciting one! We are introducing several new parts to the Russell line, as well as improving upon our existing ones. First off, we have new **Fuel System Kits** that make it easier than ever to feed your performance engine. They include all the Russell plumbing you'll need plus Edelbrock's high quality electric fuel pump and regulator (when required). We've also expanded our new line of **ProClassic hose**. This popular black fabric nylon braid is both lightweight and strong, and is now available in sizes from —4 AN up to —16AN. It looks and works

great on street cars and is perfect for racing as well! Next, we have also expanded our line of **Full Flow Black hose ends and adapters**. They're designed to match our new ProClassic hose, but can also be used with our popular ProFlex and ProRace hose, as well. For the racer, we've expanded our applications of **Qwik Release hose ends and kits** which are designed to quickly connect and disconnect hoses in seconds. We've added listings for transmission kits, and continue to offer a full selection of Qwik Release kits for popular carb and fuel system applications. Finally, there are many useful new products to help you build you performance vehicle, like our new **Safety Wire pliers** and stainless steel **Safety Wire**.

Our existing line continues to thrive and prove what we already know; quality is key. Our company cars, trucks and motorcycles run Russell and our performance plumbing remains a core component to our record-setting nitrous line. Enjoy this exciting new catalog and have an outstanding 2008!

Happy motoring,

Vic Edelbrock, President and CEO

Edelbrock Corporation and Edelbrock Foundry Corporation



Russell ProClassic hose and fittings were used exclusively on the Edelbrock/Musi 555 crate engine in Edelbrock's 1967 SS Chevelle... Long Hauler on the 2007 Hot Rod Power Tour



Russell's Facilities in Southern California





ADVANCED FLUID TRANSFER SYSTEMS

**2007-08**

**RUSSELL AUTOMOTIVE CATALOG**

**RUSSELL HEADQUARTERS**

2301 Dominguez Way, Torrance, CA USA 90503  
 Phone: 310-781-2222 • Fax: 310-320-1187  
 Tech Line Only: 800-416-8628  
 Office hours: 8am-5pm PST, weekdays  
 Tech Line hours: 7am-5pm PST, weekdays

**EDELBROCK FACILITIES**

**Edelbrock Headquarters**

2700 California Street, Torrance, CA USA 90503  
 Phone: 310-781-2222 • Fax: 310-320-1187  
 Tech Line Only: 800-416-8628  
 Office hours: 8am-5pm PST, weekdays  
 Tech Line hours: 7am-5pm PST, weekdays

**Distribution Center & Vic's Garage**

510 Madrid Street • Torrance, CA 90501

**Exhaust & Suspension Division**

501 Amapola Street • Torrance, CA 90501

**Shock Division**

2301 Dominguez Way • Torrance, CA 90501

**Aluminum Foundry**

**(sand cast)**

1320 Buena Vista Street • San Jacinto, CA 92583

**Permanent Mold & Treat Foundry**

1380 Buena Vista Street • San Jacinto, CA 92583

**REGISTERED NAMES & TRADEMARKS**

Russell®, Edelbrock®, Mach 3™, ProFlex™, PowerFlex™, Twist-Lok™, Full Flow™, Street Legal™, Thunder Series AVS®, Performer Series®, Wrap-It™, ProClassic™, Qwik Release™

**PRODUCTION CREDITS**

Russell's 2007-08 Catalog was designed, written & produced by the Edelbrock Advertising Agency: Camee Edelbrock, Eric Blakely, Tom Dufur, Michelle Harris, Matt Tweedt, Dave Davis, Steve Call, Candice Levinson

Technical information from Russell Research and Development: Rick Rohauer, Carol Yohe, Frank Alioto, Dennis Kim

Proofreading: Vic Edelbrock, Jeff Thompson, Camee Edelbrock, Rick Rohauer, Carol Yohe, Tom Dufur, Eric Blakely, Steve Whipple, Smitty Smith, Dave Stinson, Frank Alioto, Jason Snyder, Todd Carroll, Dennis Kim

Photography: Tom Dufur, Steve Call, Brian Hamblin, Rose Musi



A6880 ISO 9001  
 EDELBROCK CORP. TORRANCE AND SAND FOUNDRY FACILITIES



[www.russellperformance.com](http://www.russellperformance.com)



**RUSSELL PERFORMANCE PRODUCTS... AN EDELBROCK COMPANY**

© 2007 Edelbrock Corporation. All Rights Reserved  
 Printed in the U.S.A

Brochure #600247 (drilled)  
 Brochure #600257 (undrilled)

Speed Bleeder is a registered trademark of Speed Bleeder Products Co. Demon™ is a registered trademark of Barry Grant Incorporated. Holley® and Dominator® are registered trademarks of Holley Performance Products, Inc. Jiffy-tite® is a registered trademark of Jiffy-tite Co., Inc.



# TABLE OF CONTENTS

**PROCLASSIC HOSE.....2-5**  
 PROCLASSIC HOSE, FULL FLOW BLACK HOSE ENDS & ADAPTERS .....2-5

**HOSE AND HOSE ENDS .....6-16**  
 FULL FLOW HOSE ENDS .....6-10  
 PROFLEX & PRORACE HOSE .....11-12  
 NITROUS LINES .....12  
 TWIST-LOK HOSE & FITTINGS.....13-14  
 POWERFLEX POWER STEERING HOSE, TUBE SEAL HOSE ENDS  
 & HOSE ASSEMBLY TOOL .....15-17

**ADAPTER FITTINGS .....17-31**

**QWIK RELEASE.....32-35**  
 TECHNICAL DETAIL.....32  
 FITTINGS .....33  
 HOSE ENDS, ADAPTERS & TRANSMISSION KITS.....34  
 CARB FITTINGS, CARB KITS & FLOW CAPACITY INFORMATION .....35

**FUEL MANAGEMENT .....36-43**  
 ASSEMBLED FUEL HOSE KITS .....36  
 FUEL SYSTEM KITS .....37  
 UNIVERSAL FUEL LINE KITS .....38  
 ASSEMBLED CARB INLET KITS.....39  
 BILLET Y-BLOCKS & GAUGES .....40  
 FUEL FILTERS .....41-42  
 ALUMINUM FUEL LINE & ADAPTERS.....43

**ACCESSORIES .....44-46**  
 ASSEMBLY LUBE & SEALANT .....44  
 AN WRENCHES, SAFETY WIRE, SAFETY PLIERS & EPOXY CHASSIS PAINT .....44  
 PLUG WIRE DIVIDERS, THROTTLE BRACKETS & ENGINE LIFT PLATE.....45  
 WRAP-IT WIRE SLEEVE, INNER COILS & TEFLON WASHERS .....45  
 O-RINGS, WASHERS, CUSHION CLAMPS, PLASTIC AN CAPS & PLUGS .....46

**BRAKE HOSE AND COMPONENTS .....47-63**  
 APPLICATION SPECIFIC BRAKE & CLUTCH HOSE KITS.....47-52  
 UNIVERSAL BRAKE HOSE ASSEMBLIES .....53  
 COMPETITION BRAKE HOSE ASSEMBLIES & ARB AIR LOCKER HOSE KIT .....54  
 BRAKE & CLUTCH ADAPTER FITTINGS .....55-56  
 POWERFLEX BRAKE HOSE & BRAKE HOSE ENDS.....57  
 ACCESSORIES & BRAKE FLUID .....58  
 SPEED BLEEDERS & ACCESSORIES .....59-63

**DEALER INFORMATION .....64-66**

**INDEX.....67**



# PERFORMANCE PLUMBING MADE EASY

## THE 3 BASIC ELEMENTS OF PLUMBING

In order to plumb your vehicle with a minimum amount of time, effort and money, you should know the basics about hose, hose ends and adapter fittings.

Hose diameters are assigned AN numbers. Using your automotive hose size, choose from the chart below to find the AN equivalent for hose, hose ends and adapter fittings.

For example: a 3/8" standard hose equals -6 AN.

### HOSE CONVERSIONS

STD. AUTOMOTIVE HOSE	=	AN EQUIVALENT
1/4"	=	-4
3/8"	=	-6
1/2"	=	-8
5/8"	=	-10
3/4"	=	-12
1"	=	-16
1-1/4"	=	-20
1-1/2"	=	-24

Another easy method to convert AN size to fractional is to remember that each AN number represents 1/16".

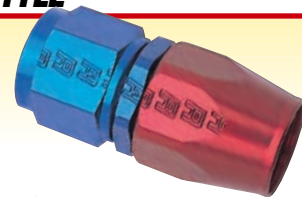
For example: -8 AN = 8/16" = 1/2".

### 1- CHOOSE HOSE SIZE



### 2- CHOOSE HOSE END STYLE

Straight, 45°, 90°, 120°, 150°, 180°  
In same AN size as hose



### 3- CHOOSE ADAPTER

Adapt AN to NPT

Example: -6 AN to 3/8" NPT



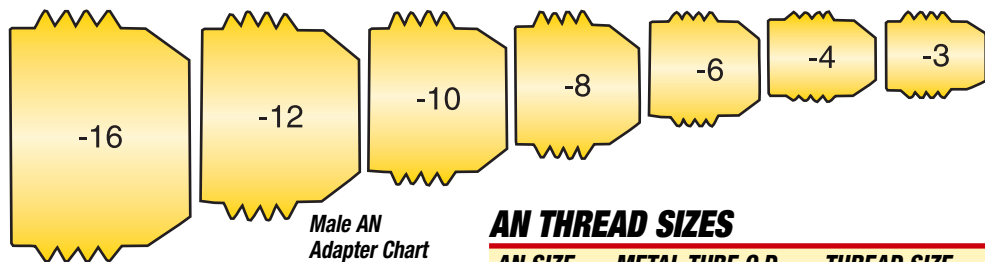
### = FINISHED PRODUCT



## TECHNICAL INFORMATION

### MALE AN ADAPTER IDENTIFICATION CHART

The line drawings to the right depict actual sizes of the various common AN thread sizes by dash number. Lay your fitting over the appropriate drawing to determine what size fitting you have.

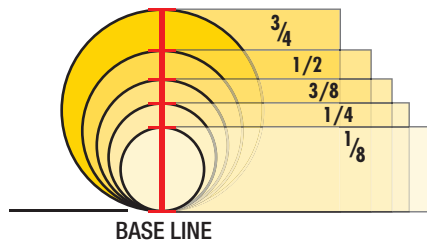


### AN THREAD SIZES

AN SIZE	METAL TUBE O.D.	THREAD SIZE
-3	3/16"	3/8" - 24 SAE
-4	1/4"	7/16" - 20 SAE
-5	5/16"	1/2" - 20 SAE
-6	3/8"	9/16" - 18 SAE
-8	1/2"	3/4" - 16 SAE
-10	5/8"	7/8" - 14 SAE
-12	3/4"	1-1/16" - 12 SAE
-16	1"	1-5/16" - 12 SAE
-20	1-1/4"	1-5/8" - 12 SAE

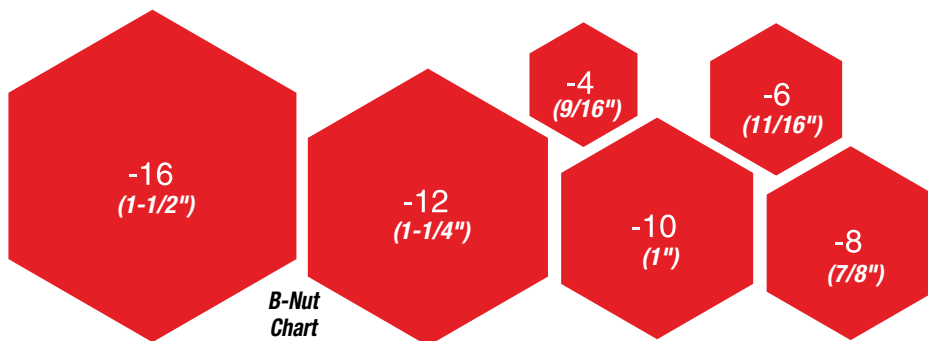
### PIPE THREAD SIZE CHART

Use the diagram to the right to find pipe thread size. Place fitting against Base Line; read fitting size where it intersects the vertical line.



### B-NUT SIZE CHART

The line drawings to the right depict actual sizes of the various common types of fittings, hose ends and adapters. The number in parenthesis is SAE wrench size equivalent.



# PROCLASSIC HOSE

## PROCLASSIC HOSE: ALL THE PERFORMANCE WITH LESS WEIGHT



Quick, trouble-free assembly without special tools

High-quality nylon fiber braid cover... excellent flexibility and resistance to abrasion



Made of extruded, synthetic rubber, inner liner is compatible with most fluids



For racers and performance enthusiasts who want high quality plumbing that is lighter and easier to assemble than traditional braided steel hose, Russell ProClassic Hose is the perfect choice. It features a lightweight nylon fiber outer braid over a durable rubber core with a maximum pressure rating of 350 psi. It is capable of handling nearly every plumbing task on your car and is safe to use with fuel, oil, or antifreeze. A choice of matching black/clear anodized aluminum hose ends and adapters is available to allow connection to most fuel pumps, carburetors, cooling system and oil lines.

- Lightweight tough nylon fiber covered hose is rated up to 350 psi
- Easy to cut and assemble
- Accepts Full Flow Swivel Hose Ends
- Match with Full Flow Black Adapters for many applications

### PROCLASSIC HOSE PRE-PACKAGED ROLLS

SIZE	3'	6'	10'	20'	50'	100'
-4	632003	632013	632023	632043	630253	630263
-6	632053	632063	632073	632093	630273	630283
-8	632103	632113	632123	632143	630293	630303
-10	632153	632163	632173	632193	630313	630323
-12	632203	632213	632223	632243	630333	630343
-16	632253	632263	632273	632293	630353	-

### HOW TO ASSEMBLE PROCLASSIC HOSE



**Step One:** Cut hose to length, as straight and square as possible, with razor blade-type hose cutter or shears.



**Step Two:** Unscrew socket from hose end. Push hose into socket, turning counter-clockwise, until hose is seated against step in socket. Make sure rubber part of hose does not protrude into socket threads.



**Step Three:** Apply Russell assembly lube to threads on nipple assembly and in socket. Insert nipple into socket/hose and start threads by hand (clockwise).



**Step Four:** Hold socket/hose in vise. Turn nipple with wrench until there is less than 1/16" between nipple hex and socket. Repeat Steps 1-3 for other end of hose. Then, flush hose assembly with solvent or soapy water and blow clean with compressed air or let air dry.



## FULL FLOW BLACK HOSE ENDS & ADAPTERS

### FULL FLOW SWIVEL BLACK/CLEAR HOSE ENDS

AN SIZE	STRAIGHT	45°	90°
-6	-	613093	613163
-8	-	613103	613173
-10	-	613113	613183
-12	-	613123	613193



#610023

### FULL FLOW NON-SWIVEL BLACK/CLEAR HOSE ENDS

AN SIZE	STRAIGHT	45°	90°
-4	610013	610083	610153
-6	610023	610093	610163
-8	610033	610103	610173
-10	610043	610113	610183
-12	610053	610123	610193



#613093



#613163

Note: -16 use Endura hose ends and adapters



Listings in red are new!

# FULL FLOW BLACK ADAPTERS

PROCLASSIC HOSE

HOSE & HOSE ENDS

ADAPTER FITTINGS

QUICK RELEASE

FUEL MANAGEMENT

ACCESSORIES

BRAKE HOSES

DEALER

INDEX

## BLACK FLARE TO PIPE ADAPTERS

AN SIZE	PIPE SIZE (NPT)	STRAIGHT	45°	90°
-4	1/8"	660423	660943	660803
-4	1/4"	660433	-	-
-6	1/4"	660443	660953	660823
-6	1/8"	660453	660103	-
-6	3/8"	660463	-	660843
-8	1/4"	660473	-	-
-8	3/8"	660483	660963	660863
-8	1/2"	660493	-	660873
-10	1/2"	660503	660973	660883
-10	3/8"	670033	-	-
-12	1/2"	660523	-	660903
-12	3/4"	660513	660983	660893



## TUBE SLEEVES AND NUTS

AN SIZE	TUBE SIZE	SLEEVE	NUT
-6	3/8"	660653	660573
-8	1/2"	660663	660583
-10	5/8"	660673	660593

## FLARE UNION AND FLARE CAP

AN SIZE	UNION	CAP
-4	660343	661953
-6	660353	661963
-8	660363	661973
-10	660373	661983

## SWIVEL COUPLER

AN SIZE	STRAIGHT	90°
-6	640003	640163
-8	640013	640173
-10	640023	-
-12	640033	-

## STRAIGHT THREAD PLUG

AN SIZE	PART #
-6	660273
-8	660283

## ALLEN SOCKET PIPE PLUG

THREAD SIZE	PART #
1/8"	662033
1/4"	662043
3/8"	662053
1/2"	662063

## STRAIGHT FLARE BULKHEAD

AN SIZE	THREAD PITCH	PART #
-6	9/16" -18	661183
-8	3/4" -16	661193

## BULKHEAD NUT

AN SIZE	THREAD PITCH	PART #
-6	9/16" -18	661893
-8	3/4" -16	661903

## FLARE REDUCER

AN SIZE	PART #
-6 to -8	661773
-8 to -10	661793

Listings in red are new!



# FULL FLOW BLACK ADAPTERS

PROCLASSIC HOSE

HOSE & HOSE ENDS

ADAPTER FITTINGS

QWIK RELEASE

FUEL MANAGEMENT

ACCESSORIES

BRAKE HOSES

DEALER

INDEX

**NEW!**



## FLARE TEE

SIZE	PART #
-4	661003
-6	661023
-8	661033

## TUBE SEALS

SIZE	PART #
-6	620263
-8	620273
-10	620193
-12	620203

**NEW!**



#620263

**NEW!**



## PIPE BUSHING REDUCER

SIZE	PART #
3/8" male to 1/8" female	661573
1/2" male to 3/8" female	661583

## ALUMINUM FUEL LINE ADAPTERS

SIZE/DESCRIPTION	PART #
-6 Female Swivel 3/8" Tubing	639203
-6 Male 37° 3/8" Tubing	639213
-8 Female Swivel 1/2" Tubing	639223
-8 Male 37° 1/2" Tubing	639233

**NEW!**



#639203

**NEW!**



## PUSH-ON EFI FITTINGS (FOR OEM HARD LINES)

SIZE/DESCRIPTION	PART #
-6 to 3/8" Hard Tube Adapters	640853
-6 to 5/16" Hard Tube Adapters	640863

## FORD EFI FITTINGS

SIZE/DESCRIPTION	PART #
Ford Return Side EFI x -6 AN	640873
Ford Pressure Side EFI x -8 AN	640883
Ford Pressure Side EFI x -6 AN	640903

**NEW!**



#640873

## BANJO FUEL FITTINGS

SIZE/DESCRIPTION	PART #
-6 AN Male Flare for Civics without Fuel Pressure Damper (12mm)	640913
-6 AN Male Flare for Civics/Integras with Fuel Pressure Damper (12 mm)	640923



#640923

**NEW!**

## FUEL PRESSURE TAKE OFF\*

AN SIZE	PART #
-6	670343
-8	670353

\*1/8" NPT side port



#670353

## FLARE TO PIPE PRESSURE ADAPTER\*

PIPE SIZE	AN SIZE	PART #
3/8"	-6	670063
3/8"	-8	670083

\*1/8" NPT side port



#670083

## 6" PROFILTER

DESCRIPTION	LENGTH	INLET/OUTLET	PART #
Anodized Aluminum	6"	-10 female o-ring seal	649250
Replacement element (10 microns)			649255

**NEW!**



#649250



# FULL FLOW BLACK ADAPTERS

PROCLASSIC HOSE

HOSE & HOSE ENDS

ADAPTER FITTINGS

QUICK RELEASE

FUEL MANAGEMENT

ACCESSORIES

BRAKE HOSES

DEALER

INDEX

## COMPETITION FUEL

INLET/OUTLET	DESCRIPTION	LENGTH	DIA.	PART #
-6 Male	Black	3"	1-1/4"	650133
-8 Male	Black	3-1/4"	1-1/4"	650103
Replacement Element				651670



## 8-1/4" PROFILTERS

DESCRIPTION	LENGTH	INLET/OUTLET	ELEMENT	PROCLASSIC PART #
Anodized Aluminum	8-1/4"	-6 Male	Nylon	649143
Anodized Aluminum	8-1/4"	-8 Male	Nylon	649153



**NEW!**

## CARB ADAPTER FITTINGS

DESCRIPTION	QTY.	PART #
<b>FOR HOLLEY SINGLE FEED AND DEMON CARBS</b>		
-6 AN x 9/16" -24 Male Flare Carb Fitting	2	640203
<i>APPLICATION: Holley Single Feed 600-660 Series, Holley Dual Feed 4010-4011 Series, all Two Barrel Series and Demon with 9/16"-24 thread.</i>		
-8 AN x 9/16" -24 Female Flare Extended Carb Fitting	2	640773
<i>APPLICATION: Demon or BG carb with 9/16"-24 thread. Overall length is 3-1/4".</i>		
-6 AN x 5/8" -20	2	640243
<i>APPLICATION: Edelbrock Thunder Series, Performer Series and Carter AFB Carburetors.</i>		
<b>FOR HOLLEY DUAL FEED AND QUADRAJET CARBS</b>		
-6 AN x 7/8" -20 Male Flare Carb Fitting	2	640223
-8 AN x 7/8" -20 Male Flare Extended Carb Fitting	2	640213
<i>APPLICATION: Holley Dual Feed 750 through Dominator 1350 Series, Quadrajet up to 1974 with 7/8"-20 thread.</i>		
-8 AN x 7/8" -20 Female Flare Extended Carb Fitting with Reduced Hex	1	640763
<i>APPLICATION: Holley Dual Feed 750 thru Dominator 1350 Series. Overall length is 2".</i>		



#640233

## CARB BANJO ADAPTER FITTINGS

DESCRIPTION	QTY.	PART #
<b>FOR EDELBROCK AND CARTER AFB CARBS</b>		
-6 AN x 5/8" -20 Banjo Carb Fitting/Hose End	1	640273
<i>APPLICATION: Edelbrock Thunder Series, Performer Series and Carter AFB carburetors with 5/8"-20 thread. Banjo fitting assembles directly to hose.</i>		
<b>FOR HOLLEY SINGLE FEED AND DEMON CARBS</b>		
-6 AN x 9/16" -24 Banjo Carb Fitting/Hose End	1	640233
<i>APPLICATION: Holley Single Feed 600-660 Series, and all two barrel series with 9/16" - 24 thread. Banjo fitting assembles directly to -6 hose.</i>		



## PROCLASSIC CARB KITS

DESCRIPTION	PART #
<b>FOR HOLLEY 4150 SERIES</b>	
-6 AN without gauge 1/8" pipe plug	641093
<i>APPLICATION: These Dual Inlet Kits do not fit Holley 4010 or 4011 Series carbs.</i>	
<b>FOR DUAL-INLET DEMON</b>	
-6 AN without gauge 1/8" pipe plug	641253
<b>FOR HOLLEY 4150 SERIES</b>	
-8 AN Inlet without filter	641153



- Includes high-quality Russell ProClassic hose
- Fully assembled with billet fuel reservoirs
- Features -6 or -8 hose and inlet fittings for maximum fuel flow

Listings in red are new!



# FULL FLOW HOSE ENDS

PROCLASSIC HOSE

HOSE & HOSE ENDS

ADAPTER FITTINGS

QUICK RELEASE

FUEL MANAGEMENT

ACCESSORIES

BRAKE HOSES

DEALER

INDEX

**1** ProClassic black/clear anodized (see page 2-5) – use with new ProClassic fabric hose or ProFlex/ProRace stainless hose

**2** Ultra-bright Endura is a unique finish that simulates the appearance of stainless steel – use with ProFlex/ProRace stainless hose or new ProClassic fabric hose

**3** Traditional red/blue anodized – for use with ProFlex/ProRace stainless hose or new ProClassic fabric hose

## THREE FINISHES TO CHOOSE FROM

Russell's Full Flow hose ends have been the choice of racing professionals for more than 30 years. We've expanded our line of adapters to provide the widest range of coverage for whatever plumbing problem you need to solve.

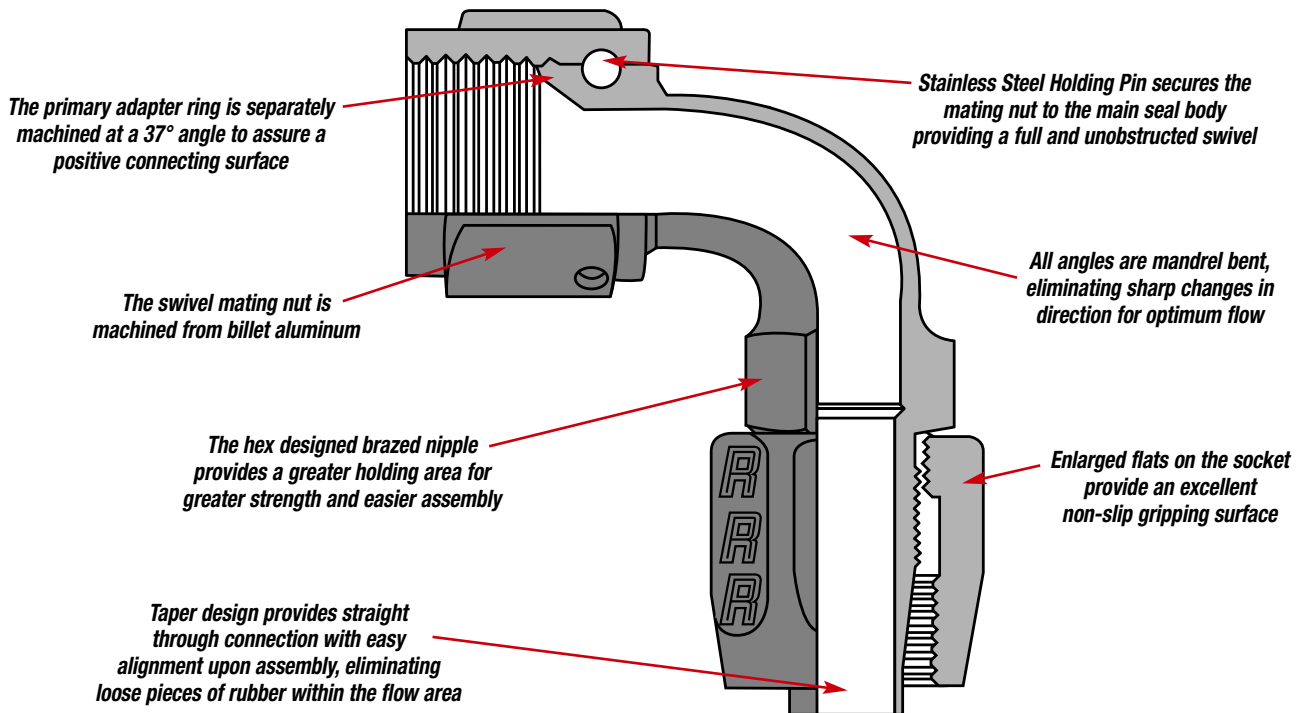
Now you can order Russell adapter fittings and hose ends in your choice of three finishes: traditional red and blue anodized, Endura or new ProClassic. Whatever look you want, one of our three corrosion-resistant finishes will meet your needs.



## FULL FLOW HOSE ENDS

### DESIGNED TO BE USED WITH PROFLEX, PRORACE AND PROCLASSIC HOSE

- Lightweight aluminum hose ends are completely reusable
- Unique taper design ensures easy assembly
- 37° angled sealing surface guarantees a positive anti-leak seal (does not require a sealing compound or Teflon® tape)
- Accepts a wide variety of lightweight aluminum AN style adapter and carburetor fittings
- Now available in three corrosion resistant finishes:
  - Red/blue anodized
  - Ultra bright Endura - unique finish which simulates the appearance of stainless steel
  - Black/clear anodized (see pages 2-5)
- Interchangeable with many other manufacturers' hose ends

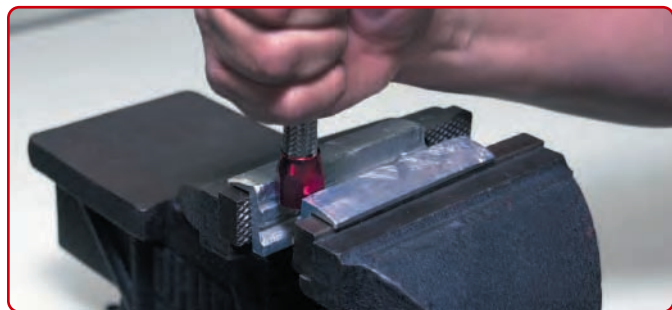


# FULL FLOW HOSE ENDS

## HOW TO ASSEMBLE FULL FLOW HOSE ENDS



**Step One:** Wrap hose tightly with race or electrical tape at the point determined for cut. Clamp the hose loosely in a vise close to the tape. Use a hacksaw with two blades opposing one another or abrasive cut-off wheel. Remove the tape when you are finished cutting.



**Step Two:** Unscrew the red socket of the hose end from the nipple. Hold the socket in a vise using soft jaws and insert the hose into the socket by turning it counterclockwise. The hose will stop at the bottom step of the socket.



**Step Three:** Position the nipple assembly of the hose end in the vise using soft jaws. Apply assembly lube to the threads of the socket as well as to the nipple assembly.



**Step Four:** Start the socket over the nipple by hand and tighten as far as possible by hand. Using an AN wrench, tighten until it reaches the nipple hex or when there is no more than 1/16" gap between the nipple/socket assembly. Be sure to wash & pressure test the assembly before using.

### STRAIGHT END



AN SIZE	RED/BLUE PART #		ENDURA PART #		BLACK/CLEAR PART #
	SINGLE	BULK*	SINGLE	BULK*	
-4	610010	610018*	610011	610019*	610013
-6	610020	610028*	610021	-	610023
-8	610030	610038*	610031	-	610033
-10	610040	610048*	610041	-	610043
-12	610050	-	610051	-	610053
-16	610060	-	610061	-	-
-20	610070	-	-	-	-

\*Packaged in quantity of 25 pcs.

### 45° END



AN SIZE	RED/BLUE PART #		ENDURA PART #	BLACK/CLEAR PART #
	SINGLE	BULK*		
-4	610080	-	610081	610083
-6	610090	610098*	610091	610093
-8	610100	610108*	610101	610103
-10	610110	610118*	610111	610113
-12	610120	-	610121	610123
-16	610130	-	610131	-
-20	610140	-	-	-

\*Packaged in quantity of 25 pcs.

Listings in red are new!



# FULL FLOW HOSE ENDS

PROCLASSIC HOSE

HOSE & HOSE ENDS

ADAPTER FITTINGS

QWIK RELEASE

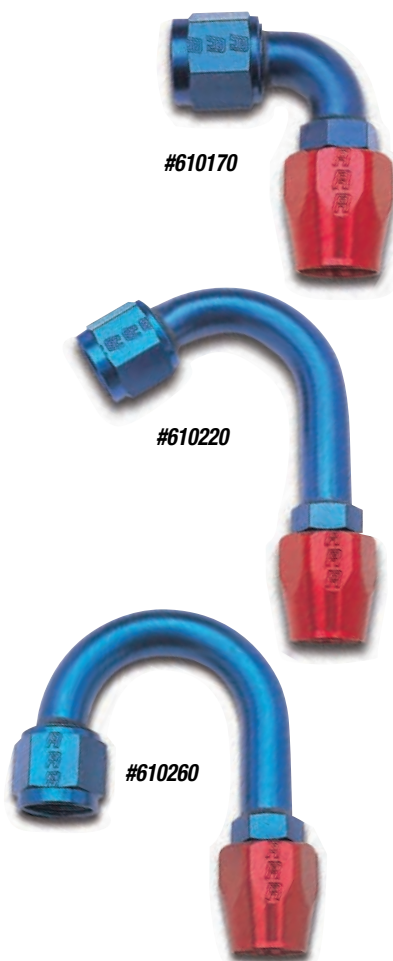
FUEL MANAGEMENT

ACCESSORIES

BRAKE HOSES

DEALER

INDEX



## 90° END

AN SIZE	RED/BLUE PART #		ENDURA PART #	BLACK/CLEAR PART #	CENTER LINE RADIUS
	SINGLE	BULK*			
-4	610150	610158*	610151	610153	1/2"
-6	610160	610168*	610161	610163	1/2"
-8	610170	610178*	610171	610173	1/2"
-10	610180	610188*	610181	610183	5/8"
-12	610190	-	610191	610193	7/8"
-16	610200	-	610201	-	1"
-20	610210	-	-	-	1-1/4"

\*Packaged in quantity of 25 pcs.

## 120° END

AN SIZE	RED/BLUE PART #	ENDURA PART #	CENTER LINE RADIUS
-6	610220	610221	1"
-8	610230	610231	1-1/4"
-10	610240	610241	1-1/4"
-12	610250	610251	1-1/2"

## 180° END

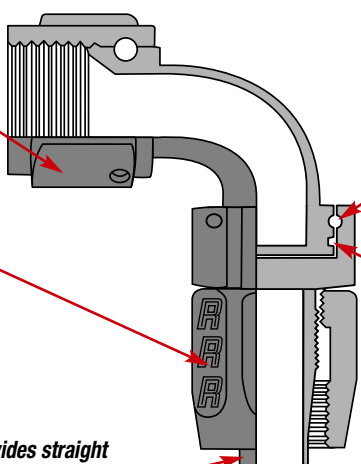
AN SIZE	RED/BLUE PART #	ENDURA PART #	CENTER LINE RADIUS
-6	610260	610261	1"
-8	610270	610271	1-1/4"
-10	610280	610281	1-1/4"
-12	610290	610291	1-1/2"

# FULL FLOW SWIVEL HOSE ENDS

The swivel mating nut is machined from billet aluminum

Enlarged flats on the socket provide an excellent non-slip gripping surface

The taper design provides straight through connection with easy alignment upon assembly, eliminating loose pieces of rubber within the flow area



Stainless Steel Retaining Pin secures elbow to main hose end body, allowing adjustability after assembly

Viton® O-Ring allows 360° rotation while it guarantees a positive seal

## 360° SWIVEL HOSE ENDS FIT PROFLEX, PRORACE & PROCLASSIC HOSE

Russell's Full Flow Swivel Hose Ends swivel 360° to maximize hose installation allowing for quick alignment of ends after hose assembly.

- 360° of adjustability after assembly
- Full Flow ends are completely re-useable
- Unique taper design ensures easy assembly
- 37° angled sealing surface guarantees a positive anti-leak seal (does not require a sealing compound or Teflon® tape)
- Mandrel bent tubing for superior flow
- Available in three finishes:
  - Red/blue anodize
  - Ultra bright Endura - unique finish which simulates the appearance of stainless steel
  - Black/clear anodized (see pages 2-5)
- Interchangeable with most manufacturers hose ends
- Accepts a wide variety of lightweight AN style adapter & carburetor fittings

# FULL FLOW SWIVEL HOSE ENDS

PROCLASSIC HOSE

HOSE & HOSE ENDS

ADAPTER FITTINGS

QUICK RELEASE

FUEL MANAGEMENT

ACCESSORIES

BRAKE HOSES

DEALER

INDEX



#613160

#613090



Tight Radius  
#613400

Standard  
Radius



Tight Radius  
#613450

Standard  
Radius



Tight Radius

#613260

## 45° END

AN SIZE	RED/BLUE PART #	ENDURA PART #	BLACK/CLEAR PART #
-6	613090	613091	613093
-8	613100	613101	613103
-10	613110	613111	613113
-12	613120	613121	613123
-16	613130	613131	-

## 90° END

AN SIZE	RED/BLUE PART #	ENDURA PART #	BLACK/CLEAR PART #
-6	613160	613161	613163
-8	613170	613171	613173
-10	613180	613181	613183
-12	613190	613191	613193
-16	613200	613201	-

## TIGHT & STANDARD RADIUS SWIVEL HOSE ENDS

Russell's Tight Radius Full Flow Swivel Hose Ends have a shorter distance between fittings for use in tight spots. The Tight Radius ends are available in 120°, 150°, 180°, and in both traditional red/blue anodized and Endura finishes.

### 120° END STANDARD RADIUS

AN SIZE	RED/BLUE PART #	ENDURA PART #	RADIUS	RED/BLUE PART #	ENDURA PART #	RADIUS
-6	613220	613221	1"	613400	613401	9/16"
-8	613230	613231	1-1/4"	613410	613411	3/4"
-10	613240	613241	1-1/4"	613420	613421	15/16"
-12	613250	613251	1-1/2"	613430	613431	1-1/8"
-16	613310	613311	1-1/2"	613440	613441	1-1/2"

### TIGHT RADIUS

### 150° END STANDARD RADIUS

AN SIZE	RED/BLUE PART #	ENDURA PART #	RADIUS	RED/BLUE PART #	ENDURA PART #	RADIUS
-6	613350	613351	1"	613450	613451	9/16"
-8	613360	613361	1-1/4"	613460	613461	3/4"
-10	613370	613371	1-1/4"	613470	613471	15/16"
-12	613380	613381	1-1/2"	613480	613481	1-1/8"
-16	613390	613391	1-1/2"	613490	613491	1-1/2"

### TIGHT RADIUS

### 180° END STANDARD RADIUS

AN SIZE	RED/BLUE PART #	ENDURA PART #	RADIUS	RED/BLUE PART #	ENDURA PART #	RADIUS
-6	613260	613261	1"	613500	613501	9/16"
-8	613270	613271	1-1/4"	613510	613511	3/4"
-10	613280	613281	1-1/4"	613520	613521	15/16"
-12	613290	613291	1-1/2"	613530	613531	1-1/8"
-16	613300	-	1-1/2"	613540	613541	1-1/2"

### TIGHT RADIUS

PLEASE SEE PAGE 7 FOR ASSEMBLY INSTRUCTIONS

# FULL FLOW SWIVEL HOSE ENDS

PROCLASSIC HOSE

HOSE & HOSE ENDS

ADAPTER FITTINGS

QUICK RELEASE

FUEL MANAGEMENT

ACCESSORIES

BRAKE HOSES

DEALER

INDEX

#612160



## 45° SWIVEL PIPE THREAD HOSE END

AN SIZE	PIPE SIZE	RED/BLUE PART #
-6	1/8" NPT	612150
-6	1/4" NPT	612000
-6	3/8" NPT	612160
-8	3/8" NPT	612010
-8	1/2" NPT	612020
-10	3/8" NPT	612080
-10	1/2" NPT	612030
-12	1/2" NPT	612040
-12	3/4" NPT	612050

#612180



## 90° SWIVEL PIPE THREAD HOSE END

AN SIZE	PIPE SIZE	RED/BLUE PART #
-6	1/8" NPT	612170
-6	1/4" NPT	612090
-6	3/8" NPT	612180
-8	3/8" NPT	612100
-8	1/2" NPT	612110
-10	3/8" NPT	612190
-10	1/2" NPT	612120
-12	1/2" NPT	612130
-12	3/4" NPT	612140

#612220



## 45° SWIVEL DRY SUMP HOSE END

AN SIZE	PORT OUTLET SIZE	DESCRIPTION/ THREAD	RED/BLUE PART #
-10	-10	7/8" - 14	612200
-10	-12	1-1/16" - 12	612210
-10	-8	3/4" - 16	612240
-12	-12	1-1/16" - 12	612220
-12	-10	7/8" - 14	612230

#612280



## 90° SWIVEL DRY SUMP HOSE END

AN SIZE	PORT OUTLET SIZE	DESCRIPTION/ THREAD	RED/BLUE PART #
-10	-10	7/8" - 14	612250
-10	-12	1-1/16" - 12	612260
-10	-8	3/4" - 16	612290
-12	-12	1-1/16" - 12	612270
-12	-6	7/8" - 14	612280

#613620



## 45° FORGED ALUMINUM SWIVEL HOSE END

AN SIZE	RED/BLUE PART #	ENDURA PART #
-10	613620	613621

#613640



## 90° FORGED ALUMINUM SWIVEL HOSE END

AN SIZE	RED/BLUE PART #	ENDURA PART #
-6	613640	613641
-8	613650	613651
-10	613660	613661
-12	613670	-



## FULL FLOW SWIVEL PIPE THREAD HOSE ENDS

Russell's Hose Ends are the perfect answer for connecting your oil and fuel lines without the need for a separate adapter. Each hose end attaches to the hose and threads directly into the fuel pump, fuel filter, Y-block or oil pump, eliminating the secondary AN adapter fitting. Available in traditional red and blue anodize finishes.

## FULL FLOW SWIVEL DRY SUMP HOSE ENDS

Russell's Full Flow Swivel Dry Sump Hose Ends allow you to plumb your dry sump oil lines with a minimum of fittings, eliminating the adapters that were previously necessary. This saves you money while simplifying the plumbing. These fittings connect directly to pumps making installation easier. Available in 45° and 90° styles to provide the flexibility in routing that you are looking for.

- See pages 11-12 for use with ProFlex, ProRace and page 2 for ProClassic Hose
- Supplied with Viton™ O-ring

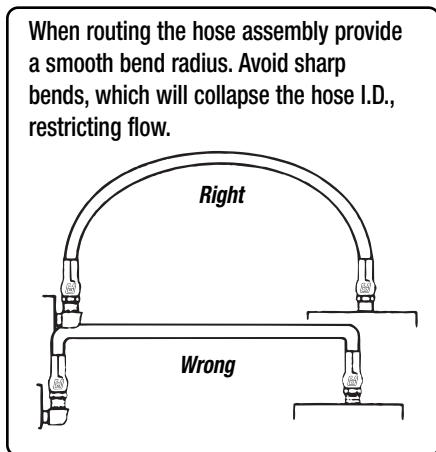
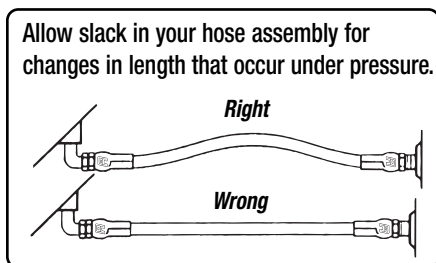
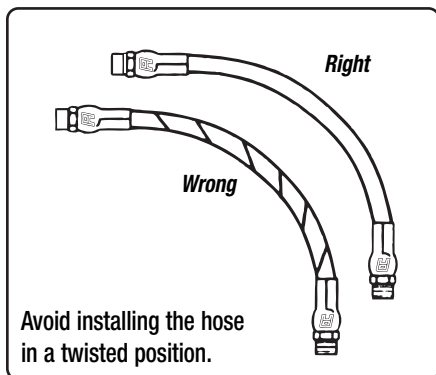
## FULL FLOW FORGED ALUMINUM SWIVEL HOSE ENDS

These hose ends are made of high-quality forged aluminum for superior strength and durability. With a unique tight configuration, our hose ends work perfectly in close engine compartments. The forged elbow design provides extra strength along with 360° full swivel adjustment. All Russell forged hose ends feature:

- 360° adjustment after assembly
- Unique taper design for simple assembly
- 37° angle sealing surface
- Fully forged elbow
- All CNC machined with stainless steel holding pin

# PROFLEX AND PRORACE HOSE

## HOSE INSTALLATION TIPS



## PROFLEX AND PRORACE STAINLESS STEEL BRAIDED HOSE

For maximum protection and reliability, more professionals and enthusiasts choose Russell ProFlex or ProRace performance hose. Constructed with a stainless steel outer braid that resists abrasion and corrosion, both have a Chlorinated Polyethylene (CPE) synthetic rubber liner with a nylon inner braid that will not collapse under extreme heat, yet is extremely flexible. Superior ProRace hose has the same features as ProFlex but with a specially formulated CPE synthetic inner liner that is embedded with a partial coverage stainless steel inner braid, then bonded together by a full coverage stainless outer braid for 50% more strength. Both types have these great features:

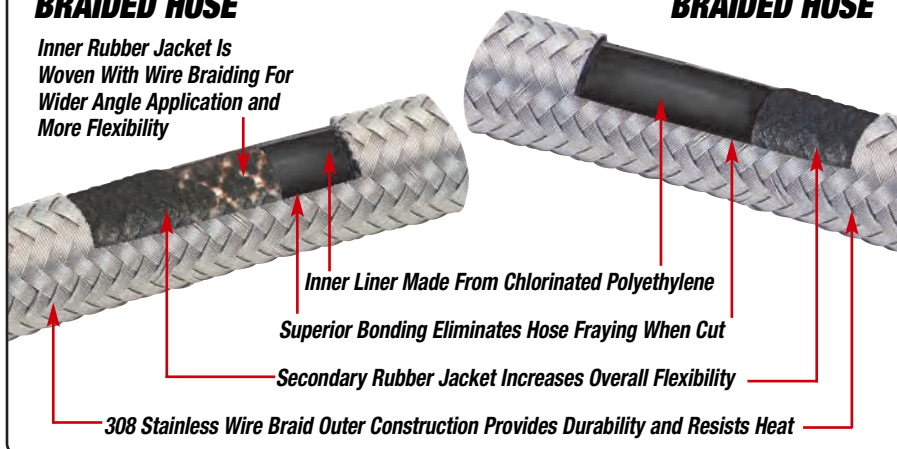
- *Stainless steel covering for a more attractive installation that is abrasion resistant*
- *Temperature range of -40° F to +350° F for a wider variety of uses and routing*
- *Compatible with all hydrocarbon and alcohol-based fuels, lubricants and additives*
- *Available in a wide range of AN sizes to meet your needs*
- *Use with Full Flow, Full Flow Swivel and Tube Seal hose ends*
- *Use with AN adapter fittings in either Endura, stainless steel or anodized finishes*



### PRORACE STAINLESS STEEL BRAIDED HOSE

*Inner Rubber Jacket Is Woven With Wire Braiding For Wider Angle Application and More Flexibility*

### PROFLEX STAINLESS STEEL BRAIDED HOSE



### PROFLEX SPECIFICATIONS

SIZE	ACTUAL I.D.	NOMINAL I.D.	O.D.	MAX PSI	TYPICAL USE
-4	7/32"	1/4"	1/2"	1000	Small oil and fuel lines, fuel gauges, and vacuum lines
-6	11/32"	3/8"	9/16"	1000	Carburetor, fuel, and oil lines
-8	7/16"	1/2"	5/8"	1000	Fuel, oil, water lines
-10	9/16"	5/8"	25/32"	750	Fuel, oil, water lines, heater hoses
-12	11/16"	3/4"	29/32"	750	Fuel, oil, water lines, heater hoses
-16	7/8"	1"	1-1/8"	750	Fuel, oil, water lines, heater hoses
-20	1-1/8"	1-1/4"	1-7/16"	750	Fuel, oil, water lines

### PROFLEX PRE-PACKAGED ROLLS

SIZE	3'	6'	10'	15'	20'	50'	100'
-4	632000	632010	632020	632030	632040	630250	630260
-6	632050	632060	632070	632080	632090	630270	630280
-8	632100	632110	632120	632130	632140	630290	630300
-10	632150	632160	632170	632180	632190	630310	630320
-12	632200	632210	632220	632230	632240	630330	630340
-16	632250	632260	632270	632280	632290	630350	-
-20	632300	632310	632320	632330	-	-	-

## MATCHING PRODUCT

Check out matching Russell Hose Ends on pages 6-10 and Adapters on pages 17-31. Available in traditional anodize, Endura, Stainless Steel and Black Anodized.



PROCLASSIC HOSE  
 HOSE & HOSE ENDS  
 ADAPTER FITTINGS  
 QUICK RELEASE  
 FUEL MANAGEMENT  
 ACCESSORIES  
 BRAKE HOSES  
 DEALER  
 INDEX

# PRORACE HOSE

## BASIC HOSE CUTTING INSTRUCTIONS FOR PROFLEX AND PRORACE HOSE

1. Measure hose to the length needed.
2. Wrap masking tape once or twice around the area to be cut.
3. Cut the hose with either a cutting wheel or a fine tooth hacksaw.
4. Assemble with proper hose ends.



## PRORACE SPECIFICATIONS

SIZE	ACTUAL I.D.	NOMINAL I.D.	O.D.	MAX PSI	TYPICAL USE
-4	7/32"	1/4"	1/2"	1500	Small oil and fuel lines, fuel gauges, and vacuum lines
-6	11/32"	3/8"	9/16"	1500	Carburetor, fuel, and oil lines
-8	7/16"	1/2"	11/16"	1500	Fuel, oil, water lines
-10	9/16"	5/8"	13/16"	1250	Fuel, oil, water lines, heater hoses
-12	11/16"	3/4"	15/16"	1000	Fuel, oil, water lines, heater hoses
-16	7/8"	1"	1-1/8"	750	Fuel, oil, water lines, heater hoses

## PRORACE PRE-PACKAGED ROLLS

SIZE	20'	50'	100'
-4	632870	633810	633820
-6	632890	633830	633840
-8	632910	633850	633860
-10	632930	633870	633880
-12	632950	633890	-
-16	632970	633910	-

# NITROUS LINES

## MATCHING PRODUCT

EDELbrock NITROUS SYSTEMS



Go to [www.edelbrock.com](http://www.edelbrock.com) to find out more about Edelbrock nitrous systems!

## PRE-MADE NITROUS AND FUEL LINES

Russell Nitrous hose assemblies are manufactured at the Russell facility and assembled by dedicated Russell professionals. All Nitrous hose assemblies are constructed using Russell PowerFlex stainless steel

braided hose. The Russell hose ends feature precision crimp installation using a hydraulic crimping method that provides the ultimate leak free connection. Use blue hose ends for nitrous, and red for fuel lines.



## NITROUS & FUEL LINES

DESCRIPTION	PART #	DESCRIPTION	PART #	DESCRIPTION	PART #
-3 AN 8-1/2" Blue	658000	-3 AN 4-foot Red 90° to Straight	658190	-4 AN 18-foot Blue	658400
-3 AN 8-1/2" Red	658010	-4 AN 8-1/2" Blue	658200	-4 AN 20-foot Blue	658410
-3 AN x 1/8" NPT 8-1/2" Blue	658020	-4 AN 8-1/2" Red	658210	-4 AN to -3AN 1-foot Blue	658420
-3 AN x 1/8" NPT 8-1/2" Red	658030	-4 AN 1-foot Blue	658220	-4 AN to -3AN 1-foot Red	658430
-3 AN 12" Blue	658040	-4 AN 1-foot Red	658230	-4 AN to -3AN 18" Blue	658440
-3 AN x 1/8" NPT 12" Blue	658050	-4 AN 15" Red 90° to Straight	658240	-4 AN to -3AN 18" Red	658450
-3 AN x 1/8" NPT 12" Red	658060	-4 AN 18" Blue	658250	-4 AN to -6AN 1-foot Blue	658460
-3 AN 10" Blue	658770	-4 AN 18" Red	658260	-4 AN to -6AN 18" Blue	658470
-3 AN 10" Red	658780	-4 AN 2-foot Blue	658270	-4 AN to -6AN 18" Red	658480
-3 AN 12" Red	658070	-4 AN 2-foot 1/8" NPT Blue	658280	-6 AN 1-foot Blue	658490
-3 AN 15" Blue	658080	-4 AN 2-foot 1/8" NPT Red	658290	-6 AN 1-foot Red	658500
-3 AN 15" Red	658090	-4 AN 2-foot Red	658300	-6 AN 2-foot Blue	658510
-3 AN 18" Blue	658100	-4 AN 3-foot Blue	658310	-6 AN 2-foot Red	658520
-3 AN 18" Red	658110	-4 AN 3-foot Red	658320	-6 AN 4-foot Blue	658530
-3 AN 2-foot Blue	658120	-4 AN 4-foot Blue	658330	-6 AN 6-foot Blue	658540
-3 AN 2-foot 1/8" NPT Blue	658130	-4 AN 6-foot Blue	658340	-6 AN 8-foot Blue	658550
-3 AN 2-foot 1/8" NPT Red	658140	-4 AN 8-foot Blue	658350	-6 AN 10-foot Blue	658560
-3 AN 2-foot Red	658150	-4 AN 10-foot Blue	658360	-6 AN 12-foot Blue	658570
-3 AN 3-foot Blue	658160	-4 AN 12-foot Blue	658370	-6 AN 14-foot Blue	658580
-3 AN 3-foot Red	658170	-4 AN 14-foot Blue	658380	-6 AN 16-foot Blue	658590
-3 AN 4-foot Blue	658180	-4 AN 16-foot Blue	658390	-6 AN 20-foot Blue	658600



# TWIST-LOK HOSE

## HIGH-QUALITY HOSE FOR THE "COST-CONSCIOUS" RACER

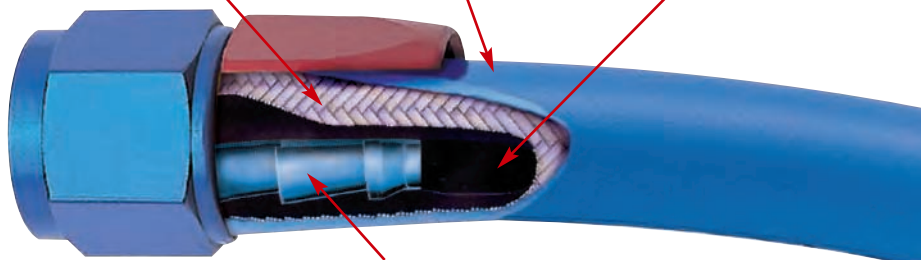
For the enthusiast looking for a quality performance hose while wanting to save assembly time and money, Russell Twist-Lok Hose is the way to go. Easy to assemble, flexible and lightweight, it is ideal for most automotive applications where a stainless steel braided line is not necessary.

- Approved by NHRA for use in competition
- CPE synthetic rubber liner with a reinforcing fabric braid
- Easy assembly using push-on barb technology
- Compatible with hydrocarbon and alcohol based fuel, lubricants and additives
- Lightweight and flexible
- Works with all AN adapter fittings
- Use with reusable Twist-Lok Hose Ends in traditional anodize
- Pressure rated up to 250 psi – suitable for most fuel and oil systems (not for power steering applications)

Fiber braid reinforcement layer is impregnated with synthetic rubber for added durability

High-quality elastomer cover... excellent flexibility and resistance to abrasion

Made of extruded, synthetic rubber, inner liner is compatible with most fluids



Barb technology allows quick, trouble-free assembly without special tools

### TWIST-LOK SPECIFICATIONS

SIZE	ACTUAL I.D.	O.D.	MAX PSI	TYPICAL USE
-4	1/4"	15/32"	250	Small oil and fuel lines
-6	3/8"	5/8"	250	Fuel and oil lines
-8	1/2"	23/32"	250	Fuel, oil, water lines
-10	5/8"	13/16"	250	Fuel, oil, water lines, heater hoses

### TWIST-LOK PRE-PACKAGED ROLLS

SIZE	10'	15'	25'	100'
-4	634100	634110	634120	634300
-6	634140	634150	634160	634310
-8	634180	634190	634200	634320
-10	634220	634230	634240	634330



### HOW TO ASSEMBLE TWIST-LOK HOSE & HOSE ENDS



**Step One:** Cut hose to length using a sharp knife or shears.



**Step Two:** Slide decorative red socket over hose (the hex end goes toward the tip of the hose). Liberally oil the inside of the hose and barbed end of the hose end.



**Step Three:** Insert the barbed end into hose using a twisting action. Put the swivel end at center hex in a vise. Use a twisting motion make the bottom of the hex even with the hose edge.



**Step Four:** Using a flat screwdriver, pry the hex socket open and push up until it bottoms out on the hex. Note: Be sure the slot is positioned to the back of the hose assembly for appearance purposes.

# TWIST-LOK HOSE ENDS

## REUSABLE HOSE ENDS UTILIZING BARB TECHNOLOGY

- Constructed of lightweight aluminum
- 40% lighter than conventional hose ends
- Available in red/blue anodize
- Easy to assemble
- Twist-Lok hose ends work with any Russell AN adapter or carburetor fittings
- Use only with Twist-Lok Hose



### STRAIGHT END

AN SIZE	RED/BLUE PART #
-4	624000
-6	624010
-8	624020
-10	624030



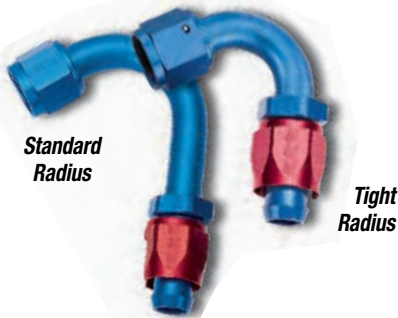
### 45° END

AN SIZE	RED/BLUE PART #
-4	624070
-6	624080
-8	624090
-10	624100



### 90° END

AN SIZE	RED/BLUE PART #
-4	624150
-6	624160
-8	624170
-10	624180



### TIGHT RADIUS TWIST-LOK HOSE ENDS

Russell's Tight Radius Twist-Lok Hose Ends have a shorter distance between fittings for use in tight spots. The Tight Radius ends are available anodize in 120°, 150°, and 180°. Also available in standard radius.

#### 120° END STANDARD RADIUS

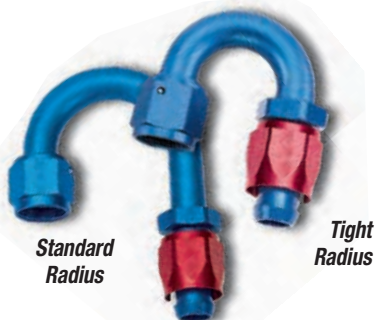
AN SIZE	ANODIZE PART #	RADIUS	TIGHT RADIUS ANODIZE PART #	RADIUS
-6	624260	1"	626000	9/16"
-8	624270	1-1/4"	626010	3/4"
-10	624280	1-1/4"	626020	15/16"

#### 150° END STANDARD RADIUS

AN SIZE	ANODIZE PART #	RADIUS	TIGHT RADIUS ANODIZE PART #	RADIUS
-6	624300	1"	626030	9/16"
-8	624310	1-1/4"	626040	3/4"
-10	624320	1-1/4"	626050	15/16"

#### 180° END STANDARD RADIUS

AN SIZE	ANODIZE PART #	RADIUS	TIGHT RADIUS ANODIZE PART #	RADIUS
-6	624340	1"	626060	9/16"
-8	624350	1-1/4"	626070	3/4"
-10	624360	1-1/4"	626080	15/16"



# POWERFLEX POWER STEERING HOSE ENDS

## STAINLESS BRAIDED HOSE FOR HIGH PRESSURE POWER STEERING LINES

For high pressure power steering lines, PowerFlex Power Steering Hose is the preferred choice. When used in conjunction with Russell's PowerFlex hose ends, the end result is a durable and professional hose that resists leaks, providing years of service. A choice of power steering adapters is available to allow the connection to most pumps, feed, pressure and return lines.

- Teflon® inner liner with 308 stainless steel braid
- Hose is rated at 2500 psi
- Use with super strength high alloy steel PowerFlex Hose Ends for enhanced reliability
- Select the appropriate power steering adapter to complete the assembly



## HOSE ASSEMBLY TOOL

This handy tool separates the steel braid from the teflon inner liner making insertion of the olive easier.

SIZE	PART #
-3 & -4	651970
-6 & -8	651971



## POWERFLEX SPECIFICATIONS

SIZE	ACTUAL I.D.	NOMINAL I.D.	O.D.	MAX PSI
-6	11/32"	3/8"	7/16"	2500
-8	7/16"	1/2"	.565"	2500
-10	9/16"	5/8"	.656"	2500

## POWERFLEX PRE-PACKAGED ROLLS

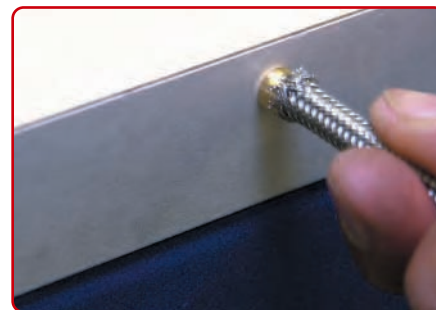
SIZE	3'		6'	10'	15'	20'
	SINGLE	BULK*				
-6	632600	632609	632610	632620	632630	632640
-8	632660	-	632670	632680	632740	-
-10	632710	632718	632720	632730	632770	-

\*Packaged in quantity of 25 pcs.

## HOW TO ASSEMBLE POWERFLEX HOSE & HOSE ENDS



**Step One:** Wrap the hose tightly with electrical or racers tape. Hold the hose firmly in a vise without crushing and cut through the tape. Make sure you make a straight cut. Remove the tape slowly and deburr the Teflon® edges. Install the socket on the hose and slide it back out of the way.



**Step Two:** Insert the nipple portion of the PowerFlex hose end in a vise. Slip the hose over the nipple using a twisting motion to size the I.D. of the teflon. Separate the wire braid from the O.D. of the Teflon® tube with a small screwdriver. Be careful not to crush the Teflon®.



**Step Three:** Push the olive sleeve around the Teflon® and between the braid. This can be done by pushing the sleeve against the side of your workbench or vise. Be sure the Teflon® liner is square to the bottom of the olive. With the nipple in the vise, lube the threads and the nipple portion of the hose end sparingly. Insert the hose over the nipple making sure the olive does not pop off the Teflon® tube.



**Step Four:** Start the socket onto the nipple by hand. Tighten with a wrench until the gap between the nipple and the socket is no more than 1/16". Clean the hose assembly and pressure test before using.

# POWERFLEX POWER STEERING HOSE ENDS

## POWERFLEX POWER STEERING HOSE ENDS WITH ENDURA FINISH

- Available in three AN sizes, -6, -8 and -10
- Corrosion resistant ultra bright Endura finish
- Suitable for high pressure power steering use
- Use with PowerFlex Hose for power steering applications
- Choose from a wide variety of AN style adapter fittings

### STRAIGHT END

AN SIZE	ENDURA PART #	BULK*
-6	620401	620409
-8	620471	-
-10	620501	620509



### 45° END

AN SIZE	ENDURA PART #
-6	620411
-8	620481
-10	620511



### 90° END

AN SIZE	ENDURA PART #	BULK*
-6	620421	620429
-8	620491	-
-10	620521	620529



\*Packaged in quantity of 25 pcs.

\*Packaged in quantity of 25 pcs.

## POWER STEERING ADAPTERS

Russell Power Steering Adapters are designed to ensure the reliability required in a high pressure steering system. These adapters allow the use of -6 or -8 PowerFlex Hose and Hose Ends for a lightweight, trouble-free system.

AN SIZE	PORT/THREAD	PART #	BULK*
-6	1/2" - 20 Inverted Flare	640330**	640339
-6	5/8" - 18 Inverted Flare	640380**	640389
-6	11/16" - 18 Inverted Flare	648050	648058
-6	16mm x 1.5 O-ring Seal	648060	648069
-6	14mm x 1.5 O-ring Seal	648070	648078
-6	18mm x 1.5 O-ring Seal	648080**	648089
-8	1/2" - 20 Inverted Flare	640390**	-
-8	5/8" - 18 Inverted Flare	640400**	-
-8	11/16" - 18 Inverted Flare	640410**	-

\*Packaged in quantity of 25 pcs.

\*\*Made from steel



## REPLACEMENT FERRULES

AN SIZE	QTY.	PART #
-6	10	620405
-8	10	620475
-10	10	620505



# TUBE SEAL HOSE ENDS

## ANODIZED ALUMINUM AND CHROME TUBE SEAL HOSE ENDS

Tube Seal Hose Ends are designed to add that finishing hose end appearance with the ease of installation of a hose clamp.

- Available in sizes to fit from 1/4" vacuum hose to 3/4" heater hose
- Offered in four choices of colors: red, blue, chrome and ProClassic
- Includes hose clamps

### HOW TO INSTALL TUBE SEAL HOSE ENDS

Screw the worm gear closed and insert inside the socket. Reopen the clamp, expanding the tube seal. Slip over the hose assembly. Tighten onto the barb.

AN SIZE	RED ANODIZE	BLUE ANODIZE	CHROME	BLACK/CLEAR	APPLICATION
-4	620250	623250	622250	-	1/4" Vacuum Hose
-6	620260	623260	622260	620263	5/16" Fuel Hose
-8	620270	623270	622270	620273	3/8" Fuel Hose
-10	620190	623190	622190	620193	1/2" Heater Hose
-12	620200	623200	622200	620203	-
-14	620290	623290	622290	-	5/8" Heater Hose
-16	620210	623210	622210	-	3/4" Heater Hose



PROCLASSIC HOSE  
 HOSE & HOSE ENDS  
 ADAPTER FITTINGS  
 QWIK RELEASE  
 FUEL MANAGEMENT  
 ACCESSORIES  
 BRAKE HOSES  
 DEALER  
 INDEX

# ADAPTER FITTINGS



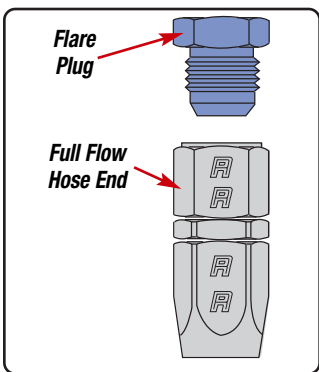
## ADAPTER FITTINGS

Russell's wide variety of lightweight aluminum adapter fittings allow for the connection of Russell hose ends to almost any component. Adapters are offered in standard thread, metric thread and pipe thread to fit most popular oil pumps, fuel pumps, fuel filters plus a variety of other common components. To compliment the looks of the hose installation, three finishes are available – ultra-bright Endura, traditional blue anodized or our new black anodized fittings on pages 2-5.

- Precision machined to ensure precise thread engagement
- Lightweight aluminum fittings are designed to match up with all Russell performance hose and hose ends
- 37° sealing angle guarantees a positive seal at maximum operating pressures



NMCA Extreme Street Racer Jimmy Byrne relies on Russell adapters, lines and fittings.



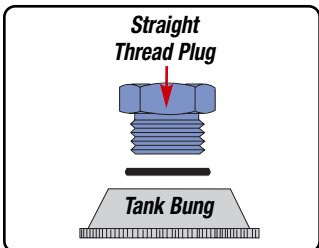
### FLARE PLUG

AN SIZE	BLUE PART #	ENDURA PART #
-3	660170	660171†
-4	660180	660181†
-6	660190	660191†
-8	660200	660201†
-10	660210	660211†
-12	660220	660221†
-16	660230†	660231†

†Available while supplies last.



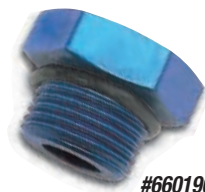
#660190



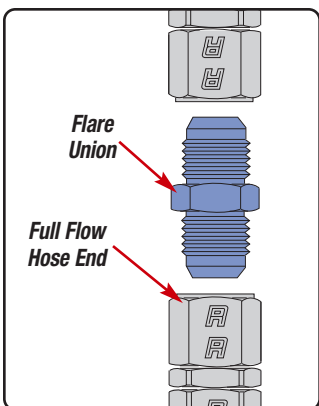
### STRAIGHT THREAD PLUG\*

AN SIZE	BLUE PART #	ENDURA PART #	BLACK PART #
-3	660250	-	-
-4	660260	660261†	-
-6	660270	660271†	660273
-8	660280	660281†	660283
-10	660290	660291†	-
-12	660300	660301†	-
-16	660310†	660311†	-

\*O-ring included  
†Available while supplies last.



#660190



### FLARE UNION

AN SIZE	BLUE PART #		ENDURA PART #	BLACK PART #
	SINGLE	BULK*		
-3	660330	-	660331	-
-4	660340	-	660341	660343
-6	660350	660358	660351	660353
-8	660360	660368	660361	660363
-10	660370	-	660371	660373
-12	660380	-	660381	-
-16	660390	-	660391†	-

\*Packaged in quantity of 25 pcs.  
†Available while supplies last.

**NEW!**



#660353

**NEW!**

Listings in red are new!



# ADAPTER FITTINGS

PROCLASSIC HOSE

HOSE & HOSE ENDS

ADAPTER FITTINGS

QUICK RELEASE

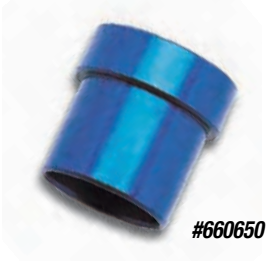
FUEL MANAGEMENT

ACCESSORIES

BRAKE HOSES

DEALER

INDEX



#660650

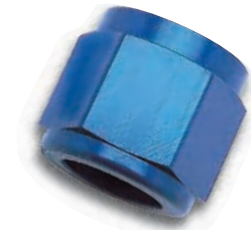
## TUBE SLEEVE

AN SIZE	TUBE SIZE	QTY.	BLUE		ENDURA PART #	BLACK PART #
			PART #	BULK*		
-3	3/16"	6	660630	-	660631	-
-4	1/4"	6	660640	-	660641	-
-6	3/8"	2	660650	660658	660651	660653
-8	1/2"	2	660660	660668	660661	660663
-10	5/8"	1	660670	-	660671	660673
-12	3/4"	1	660680	-	660681†	-
-16	1"	1	660690	-	660691†	-

\*Packaged in quantity of 25 pcs.  
†Available while supplies last.



Sportsman racers like Marty Bernard use Russell Hose, Hose Ends and Adapter Fittings for race-winning performance and reliability

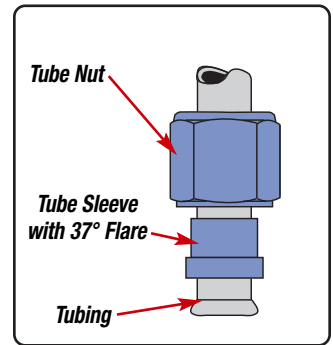


#660570

## TUBE NUT

AN SIZE	TUBE SIZE	QTY.	BLUE		ENDURA PART #	BLACK PART #
			PART #	BULK*		
-3	3/16"	6	660550	-	660551	-
-4	1/4"	6	660560	-	660561	-
-6	3/8"	2	660570	660578	660571	660573
-8	1/2"	2	660580	660588	660581	660583
-10	5/8"	1	660590	-	660591	660593
-12	3/4"	1	660600	-	660601†	-
-16	1"	1	660610	-	660611†	-

\*Packaged in quantity of 25 pcs.  
†Available while supplies last.

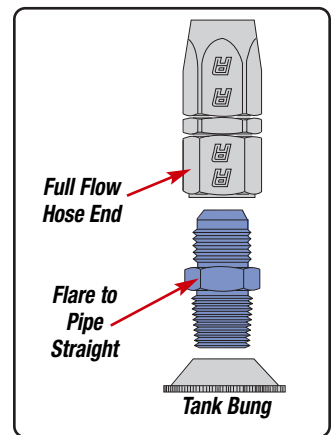


#660460

## FLARE TO PIPE STRAIGHT

AN SIZE	PIPE SIZE (NPT)	BLUE		ENDURA		BLACK PART #
		PART #	BULK*	PART #	BULK*	
-3	1/8"	660410	660418	660411	-	-
-4	1/8"	660420	660428	660421	-	660423
-4	1/4"	660430	-	660431	660439	660433
-4	3/8"	660060	-	660061	-	-
-6	1/4"	660440	660448	660441	-	660443
-6	1/8"	660450	660458	660451	-	660453
-6	3/8"	660460	660468	660461	-	660463
-6	1/2"	670150	-	670151	-	-
-8	1/4"	660470	-	660471	-	-
-8	3/8"	660480	660488	660481	-	660483
-8	1/2"	660490	660498	660491	-	660493
-10	1/2"	660500	660508	660501	-	660503
-10	3/8"	670030	670038	670031	-	670033
-12	1/2"	660520	-	660521	-	660523
-12	3/4"	660510	-	660511	-	660513
-16	1"	660530	-	660531†	-	-
-16	3/4"	660540	-	660541†	-	-

\*Packaged in quantity of 25 pcs.  
†Available while supplies last.



## MATCHING PRODUCT

Check out our New Full Flow Black Hose Ends and Adapters on pages 2-5. Available in black anodized.



# ADAPTER FITTINGS

PROCLASSIC HOSE

HOSE & HOSE ENDS

ADAPTER FITTINGS

QUICK RELEASE

FUEL MANAGEMENT

ACCESSORIES

BRAKE HOSES

DEALER

INDEX

**NEW!**



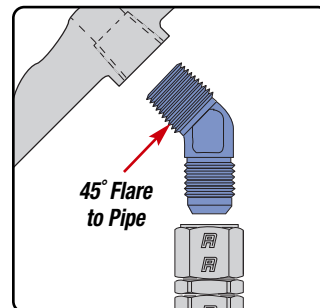
#660953

## 45° FLARE TO PIPE



AN SIZE	PIPE SIZE (NPT)	BLUE PART #	ENDURA PART #	BLACK PART #
-3	1/8"	660930	660931	-
-4	1/8"	660940	660941	<b>660943</b>
-4	1/4"	660770	660771	-
-6	1/4"	660950	660951	660953
-6	1/8"	660100	660101	<b>660103</b>
-6	3/8"	662390	662391	-
-8	1/4"	-	-	-
-8	3/8"	660960	660961	660963
-8	1/2"	662410†	-	-
-10	3/8"	662380†	-	-
-10	1/2"	660970	660971	660973
-10	3/4"	662500†	-	-
-12	1/2"	662450†	-	-
-12	3/4"	660980	660981†	660983
-16	1"	662400†	662401†	-
-16	3/4"	-	-	-

†Available while supplies last.



#660840

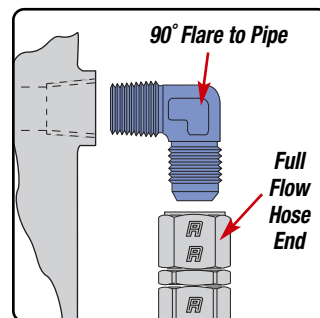
## 90° FLARE TO PIPE



AN SIZE	PIPE SIZE (NPT)	BLUE PART #		ENDURA PART #	BLACK PART #
		SINGLE	BULK*		
-3	1/8"	660790	660798	660791	-
-4	1/8"	660800	660808	660801	<b>660803</b>
-4	1/4"	660810	-	660811	-
-6	1/4"	660820	660828	660821	660823
-6	1/8"	660830	-	660831	-
-6	3/8"	660840	660848	660841	660843
-8	1/4"	660850	-	660851	-
-8	3/8"	660860	660868	660861	660863
-8	1/2"	660870	660878	660871	<b>660873</b>
-10	1/2"	660880	-	660881	660883
-12	1/2"	660900	-	660901	660903
-12	3/4"	660890	-	660891	660893
-16	1"	660910	-	660911†	-
-16	3/4"	660920†	-	660921	-

\*Packaged in quantity of 25 pcs.

†Available while supplies last.



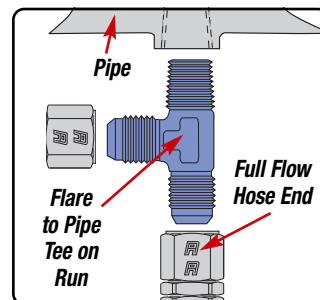
#661120

## FLARE TO PIPE TEE ON RUN



AN SIZE	PIPE SIZE (NPT)	BLUE PART #	ENDURA PART #
-3	1/8"	661100	661101†
-4	1/8"	661110	661111†
-6	1/4"	661120	661121†
-8	3/8"	661130	661131†
-10	1/2"	661140	661141
-12	3/4"	661150	661151†

†Available while supplies last.



Listings in red are new!



# ADAPTER FITTINGS

PROCLASSIC HOSE

HOSE & HOSE ENDS

ADAPTER FITTINGS

QUICK RELEASE

FUEL MANAGEMENT

ACCESSORIES

BRAKE HOSES

DEALER

INDEX



#660120

## FLARE TO PIPE TEE

AN SIZE	PIPE SIZE (NPT)	BLUE PART #	ENDURA PART #
-3	1/8"	661060	661061
-4	1/8"	661070	661071†
-6	1/4"	661080	661081†
-8	3/8"	660120	660121
-10	1/2"	661090	661091†
-12	3/4"	660150	-

†Available while supplies last.



#661020

## FLARE TEE

AN SIZE	BLUE PART #	ENDURA PART #	BLACK/CLEAR PART #
-3	660990	660991	-
-4	661000	661001	661003
-6	661020	661021	661023
-8	661030	661031	661033
-10	661040	661041†	-
-12	661050	661051†	-
-16	660110	660111	-

†Available while supplies last.



#661180

## STRAIGHT FLARE BULKHEAD

AN SIZE	BLUE PART #	ENDURA PART #	BLACK/CLEAR PART #
-3	661160	661161	-
-4	661170	661171	-
-6	661180	661181	661183
-8	661190	661191	661193
-10	661200	661201	-
-12	661210	661211	-
-16	661220	661221†	-

†Available while supplies last.



#661390

## 45° FLARE BULKHEAD

AN SIZE	BLUE PART #
-3	661370
-4	661380
-6	661390
-8	661400
-10	661410
-12	661420

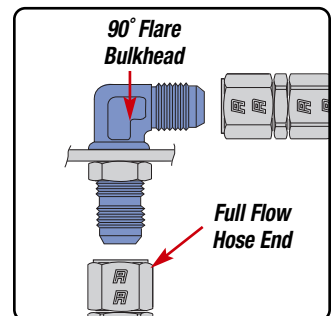
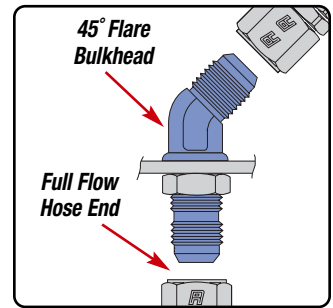
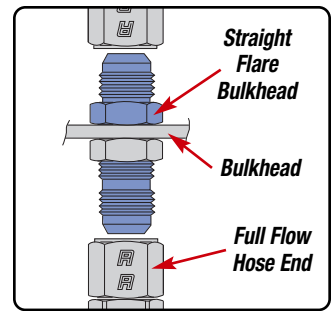
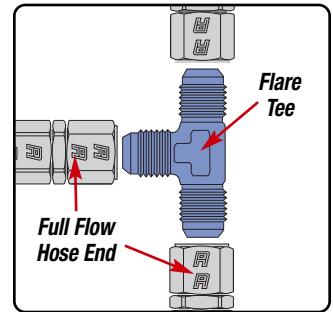
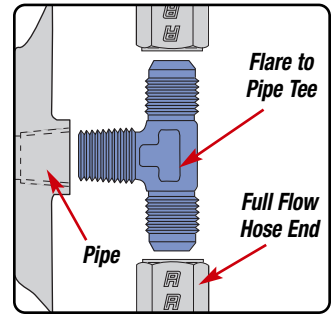


#661250

## 90° FLARE BULKHEAD

AN SIZE	BLUE PART #	ENDURA PART #
-3	661230	661231
-4	661240	661241
-6	661250	661251
-8	661260	661261
-10	661270	-
-12	661280	661281†
-16	661290†	661291†

†Available while supplies last.





# ADAPTER FITTINGS

PROCLASSIC HOSE

HOSE & HOSE ENDS

ADAPTER FITTINGS

QUICK RELEASE

FUEL MANAGEMENT

ACCESSORIES

BRAKE HOSES

DEALER

INDEX



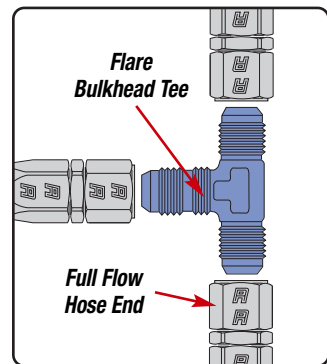
#661320

## FLARE BULKHEAD TEE



AN SIZE	BLUE PART #	ENDURA PART #
-3	661300	661301
-4	661310	661311†
-6	661320	661321†
-8	661330	661331†
-10	661340	661341†
-12	661350	661351†
-16	661360†	661361†

†Available while supplies last.

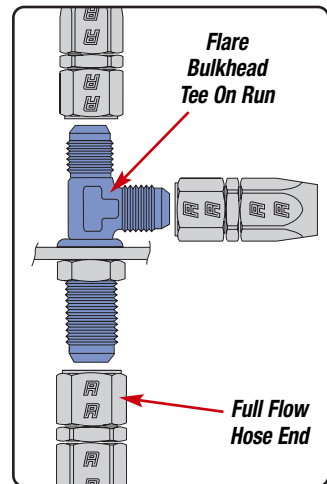


#662480

## FLARE BULKHEAD TEE ON RUN



AN SIZE	BLUE PART #
-3	662470
-4	662440



**NEW!**



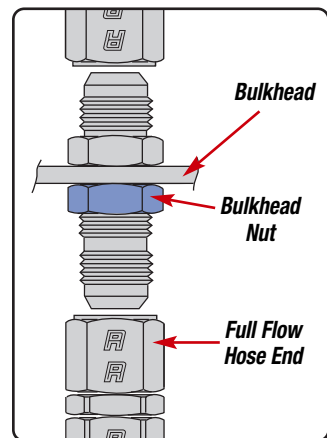
#661893

## BULKHEAD NUT



AN SIZE	THREAD SIZE	BLUE PART #	ENDURA PART #	BLACK PART #
-3	3/8"-24	661870	661871	-
-4	7/16"-20	661880	661881	-
-6	9/16"-18	661890	661891	<b>661893</b>
-8	3/4"-16	661900	661901	<b>661903</b>
-10	7/8"-14	661910	661911	-
-12	1 1/16"-12	661920	661921	-
-16	1 5/16"-12	661930	661931†	-

†Available while supplies last.



**NEW!**



#661573

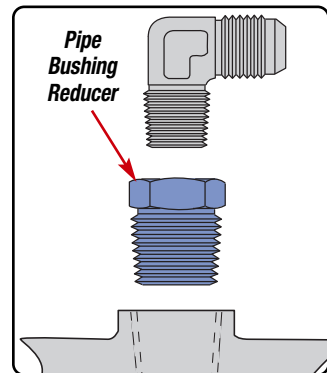
## PIPE BUSHING REDUCER



PIPE TO PIPE SIZE (NPT)	BLUE PART #	ENDURA PART #	BLACK PART #
1/8" male to 1/4" female	661690*	-	-
1/4" male to 1/8" female	661550	661551	-
3/8" male to 1/4" female	661560	661561	-
3/8" male to 1/8" female	661570	661571	<b>661573</b>
1/2" male to 3/8" female	661580	661581	<b>661583</b>
1/2" male to 1/4" female	661590	661591†	-
1/2" male to 1/8" female	661600	661601	-
3/4" male to 1/2" female	661620	661621	-
3/4" male to 3/8" female	661630	661631†	-
1" male to 3/4" female	661640	661641†	-
1" male to 1/2" female	661650†	661651†	-
1" male to 3/8" female	661660†	-	-

\*Red anodized.

†Available while supplies last.



Listings in red are new!



# ADAPTER FITTINGS

PROCLASSIC HOSE

HOSE & HOSE ENDS

ADAPTER FITTINGS

QUICK RELEASE

FUEL MANAGEMENT

ACCESSORIES

BRAKE HOSES

DEALER

INDEX

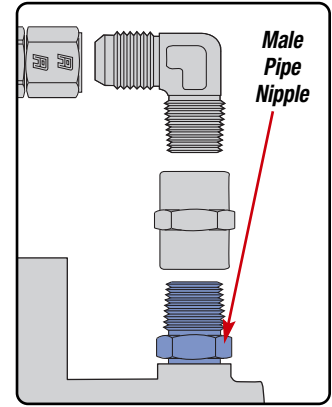
#661520



## MALE PIPE NIPPLE

PIPE SIZE	BLUE PART #	ENDURA PART #
1/8"	661500	661501
1/4"	661510	661511†
3/8"	661520	661521
1/2"	661530	661531†
3/4"	661540†	661541†

†Available while supplies last.



Male Pipe Nipple

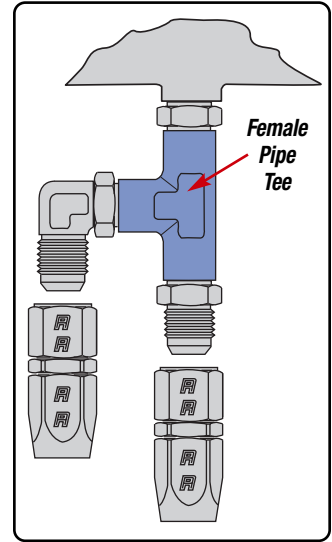


#661730

## FEMALE PIPE TEE

PIPE SIZE	BLUE PART #	ENDURA PART #
1/8"	661710	661711
1/4"	661720	661721†
3/8"	661730	661731†
1/2"	661740	661741

†Available while supplies last.



Female Pipe Tee



#670300

## BARB\* TO MALE AN

AN SIZE	BARB SIZE	BLUE PART #
-6	3/8"	670300**
-8	1/2"	670310
-10	5/8"	670320
-12	3/4"	670330†

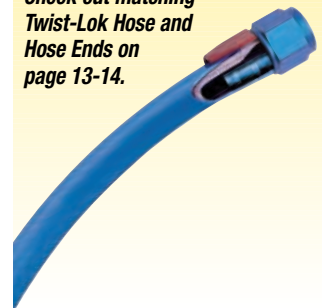
\*Recommended for use with Twist-Lok Hose.

\*\*Clear anodized.

†Available while supplies last.

## MATCHING PRODUCT

Check out matching Twist-Lok Hose and Hose Ends on page 13-14.

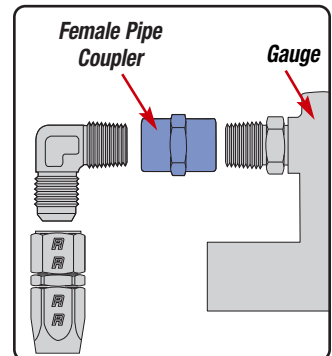


#661460

## FEMALE PIPE COUPLER

PIPE SIZE	BLUE PART #	ENDURA PART #
1/8"	661440	661441
1/4"	661450	661451
3/8"	661460	661461
1/2"	661470	661471†
3/4"	661480†	661481†
1"	661490†	661491†

†Available while supplies last.



Female Pipe Coupler

Gauge

# ADAPTER FITTINGS

PROCLASSIC HOSE

HOSE & HOSE ENDS

ADAPTER FITTINGS

QUICK RELEASE

FUEL MANAGEMENT

ACCESSORIES

BRAKE HOSES

DEALER

INDEX

**NEW!**

#661773

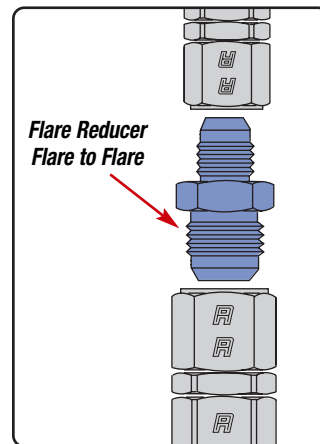


## FLARE REDUCER



FLARE TO FLARE	BLUE PART #	ENDURA PART #	BLACK PART #
-3 to -4	661750	661751	-
-4 to -6	661760	661761	-
-6 to -8	661770	661771	<b>661773</b>
-6 to -10	661780	661781	-
-6 to -12	661800†	661801†	-
-8 to -10	661790	661791	<b>661793</b>
-8 to -12	661810	661811	-
-10 to -12	661820	661821	-
-12 to -16	661840	661841†	-
-12 to -20	661850	661851	-
-16 to -10	661830†	661831†	-
-16 to -20	661860†	661861†	-

†Available while supplies last.

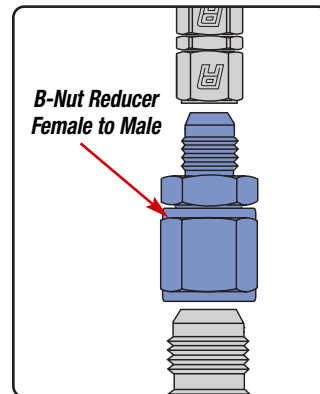


#660030

## MALE TO FEMALE B-NUT REDUCER



AN SIZE	BLUE PART #	ENDURA PART #
-4 to -6	660000	660001
-4 to -8	660010	660011
-6 to -8	660020	660021
-8 to -10	660030	660031
-10 to -12	660040	660041



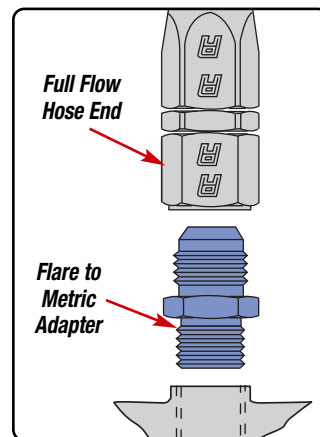
#670510

## FLARE TO METRIC ADAPTER



AN SIZE	METRIC THREAD	BLUE PART #	ENDURA PART #
-4	10mm x 1.0	670500	670501†
-6	10mm x 1.0	670480	670481
-6	12mm x 1.5	670510	670511
-6	14mm x 1.5	670520	670521
-6	16mm x 1.5	670530	670531
-6	18mm x 1.5	670540	670541†
-8	14mm x 1.5	670490	670491
-8	16mm x 1.5	670550	670551†
-8	18mm x 1.5	670560	670561†
-10	18mm x 1.5	670570	670571

†Available while supplies last.



Listings in red are new!



# ADAPTER FITTINGS

PROCLASSIC HOSE

HOSE & HOSE ENDS

ADAPTER FITTINGS

QUICK RELEASE

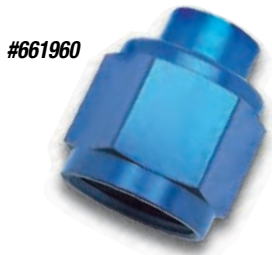
FUEL MANAGEMENT

ACCESSORIES

BRAKE HOSES

DEALER

INDEX

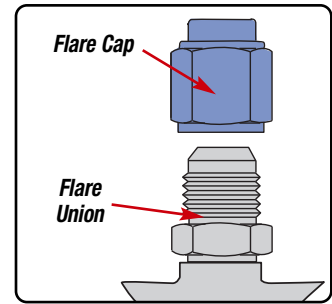


#661960

## FLARE CAP

AN SIZE	BLUE		ENDURA	BLACK
	SINGLE	BULK*	PART #	PART #
-4	661950	-	661951	661953
-6	661960	661968	661961	661963
-8	661970	661978	661971	661973
-10	661980	-	661981	661983
-12	661990	-	661991†	-
-16	662000	-	-	-

\*Packaged in quantity of 25 pcs.  
†Available while supplies last.



**NEW!**

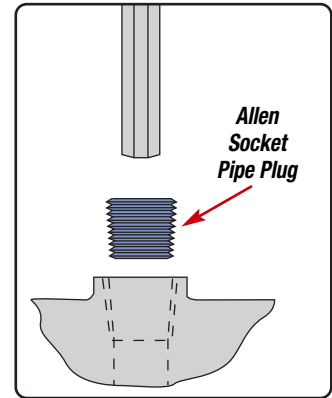


#662053

## ALLEN SOCKET PIPE PLUG

AN SIZE	BLUE		ENDURA	BLACK
	SINGLE	BULK*	PART #	PART #
1/8"	662030	662038	662031	662033
1/4"	662040	662048	662041	662043
3/8"	662050	662058	662051	662053
1/2"	662060	662068	662061	662063
3/4"	662070	-	662071	-

\*Packaged in quantity of 25 pcs.



#663010

## STRAIGHT PIPE TO TUBE

AN SIZE	PIPE SIZE	TUBE SIZE	BLUE PART #
-4	1/8"	1/4"	663000
-6	1/4"	3/8"	663010
-8	3/8"	1/2"	663020
-10	1/2"	5/8"	663030
-12	3/4"	3/4"	663040†

†Available while supplies last.

## MATCHING PRODUCT

### TUBE SEAL HOSE ENDS

Add the finishing touch to your tube fittings and hose with Tube Seal Hose Ends. Easy to install and available in three finishes. See page 16 for details.



#663060

## 45° PIPE TO TUBE

AN SIZE	PIPE SIZE	TUBE SIZE	BLUE PART #
-4	1/8"	1/4"	663050†
-6	1/4"	3/8"	663060†
-8	3/8"	1/2"	663070†
-10	1/2"	5/8"	663080†
-12	3/4"	3/4"	663090†

†Available while supplies last.



#663110

## 90° PIPE TO TUBE

AN SIZE	PIPE SIZE	TUBE SIZE	BLUE PART #
-4	1/8"	1/4"	663100†
-6	1/4"	3/8"	663110†
-8	3/8"	1/2"	663120†
-10	1/2"	5/8"	663130†
-12	3/4"	3/4"	663140†

†Available while supplies last.

# ADAPTER FITTINGS

PROCLASSIC HOSE

HOSE & HOSE ENDS

ADAPTER FITTINGS

QUICK RELEASE

FUEL MANAGEMENT

ACCESSORIES

BRAKE HOSES

DEALER

INDEX

## RADIUS AN PORT ADAPTERS

Russell Dry Sump/Fuel Fitting Adapters are precision machined for precise thread engagement, featuring radius profiled angles at the port inlet/outlet. For use when connecting dry sump and fuel lines to pumps and tanks – available in anodize black with sizes to fit most popular pumps. Supplied with an O-ring.

#670700



AN SIZE	RADIUS PORT SIZE	BLACK PART #
-6	-8	670640
-6	-10	670650
-8	-10	670660
-6	-6	670840
-8	-8	670700
-10	-10	670710
-12	-10	670720
-12	-12	670730
-16	-12	670690
-10	1/2" NPT Long	670670*
-12	1/2" NPT Long (steel)	670680*

\*Not supplied with an O-ring. Use #671570 thread sealant with this part.



#670680



#670670

## FUEL CELL BULKHEADS

Radiused entry bulkheads provide unrestricted fuel flow out of the fuel cell and into the pump feed line. Fuel cell bulkheads come complete with Teflon® sealing washer and jam nut. Sold one per package.



#670870

DESCRIPTION	BRASS PART #
-6 Fuel Cell Bulkhead	670850
-8 Fuel Cell Bulkhead	670860
-10 Fuel Cell Bulkhead	670870
-12 Fuel Cell Bulkhead	670880

## EDELBROCK MANIFOLD FITTINGS

These fittings are required when adapting metric size hose to standard NPT inlets/outlets. They eliminate having to force the hose over an oversized barb or excessive overtightening of the worm gear clamp to achieve a positive seal. Ideal for use with Edelbrock Victor X intake manifolds.



#697010



#697020

DESCRIPTION	BLACK PART #
1/8 NPT x 3/16" Hose Fitting	697000
1/8 NPT x 8mm (5/16") Hose Single Barb Fitting	697010*
1/4 NPT x 8mm (5/16") Hose Single Barb Fitting	697020*
Manifold Fitting 3/8"	
NPT x 17mm Hose x 90° 1/8" NPT Female	697030*
1/4 NPT x 9mm Hose Single Barb Fitting	697040*
1/4 NPT x 10mm Hose Single Barb Fitting	697050*

\*Designed for metric hose.

## AN THREAD PORT PLUGS

These professionally clear anodized port plugs are for use with O-ring seal ports.



#662120

DESCRIPTION	THREADS	CLEAR PART #
-12 Male AN Allen Plug	1-1/16" -12	662120†
-16 Male AN Allen Plug	1-5/16" -12	662130†

†Available while supplies last.

## MATCHING PRODUCT

### EFI FUEL PUMPS AND REGULATORS

Edelbrock Competition Electric Fuel Pumps and Regulators have enough flow capacity for applications up to 1,290 hp.



# ADAPTER FITTINGS

PROCLASSIC HOSE

HOSE & HOSE ENDS

ADAPTER FITTINGS

QUICK RELEASE

FUEL MANAGEMENT

ACCESSORIES

BRAKE HOSES

DEALER

INDEX



#614006

## 90° FEMALE AN TO MALE SWIVEL NPT

AN SIZE	NPT THD. SIZE	BLUE PART #
-6	1/4"	614006
-6	1/8"	614016
-6	3/8"	614026
-8	1/4"	614008
-8	3/8"	614018
-8	1/2"	614028
-10	1/2"	614010
-10	3/8"	614020
-12	3/4"	614012
-12	1/2"	614022



#614406

## AN TEE - FEMALE AN ON RUN

HOSE END SIZE	BLUE PART #
-3	614403
-4	614404
-6	614406
-8	614408
-10	614410



#614106

## 90° MALE AN TO MALE SWIVEL NPT

AN SIZE	NPT THD. SIZE	BLUE PART #
-6	1/4"	614106
-6	1/8"	614116
-6	3/8"	614126
-8	1/4"	614108
-8	3/8"	614118
-8	1/2"	614128
-10	1/2"	614110
-10	3/8"	614120
-12	3/4"	614112
-12	1/2"	614122



#614506

## 90° FEMALE AN TO FEMALE AN - LOW PROFILE

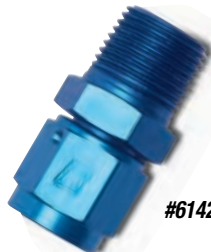
HOSE END SIZE	BLUE PART #
-3	614503
-4	614504
-6	614506
-8	614508
-10	614510†
-12	614512†
-16	614516†



#614606

## 45° FEMALE AN TO FEMALE AN - LOW PROFILE

HOSE END SIZE	BLUE PART #
-3	614603
-4	614604
-6	614606
-8	614608†
-10	614610†
-12	614612†
-16	614616†



#614226

## STRAIGHT AN FEMALE TO MALE NPT

AN SIZE	NPT THD. SIZE	BLUE PART #
-3	1/8"	614203
-4	1/8"	614204
-4	1/4"	614214
-6	1/4"	614206
-6	1/8"	614216
-6	3/8"	614226
-8	1/4"	614208
-8	3/8"	614218
-8	1/2"	614228
-10	1/2"	614210
-10	3/8"	614220
-12	1/2"	614222



#614706

## 45° FEMALE AN TO MALE AN

HOSE END SIZE	BLUE PART #
-3	614703
-4	614704
-6	614706
-8	614708
-10	614710†
-12	614712†



#614306

## AN TEE - FEMALE AN ON SIDE

AN SIZE	BLUE PART #
-3	614303
-4	614304
-6	614306
-8	614308
-10	614310



#614806

## 90° FEMALE AN TO MALE AN

HOSE END SIZE	BLUE PART #
-3	614803
-4	614804
-6	614806
-8	614808
-10	614810

# ADAPTER FITTINGS

**NEW!**



#640013

#640560



#640040



#640160



#640330

#640380



#640950

**NEW!**



#640970

**NEW!**

## STRAIGHT SWIVEL COUPLER

AN SIZE	RED/BLUE PART #	ENDURA PART #	BLACK/CLEAR PART #
-4	640140	640141	-
-6	640000	640001	640003
-8	640010	640011	640013
-10	640020	640021	640023
-12	640030	640031†	640033

## COUPLER REDUCER

AN SIZE	RED/BLUE PART #	ENDURA PART #
-6 to -8	640550	640551
-8 to -10	640560	640561
-10 to -12	640570	640571

## 45° SWIVEL COUPLER

AN SIZE	BLUE PART #	ENDURA PART #
-4	640150	640151
-6	640040	640041
-8	640050	640051†
-10	640060	640061†
-12	640070	640071†

## 90° SWIVEL COUPLER

AN SIZE	BLUE PART #	ENDURA PART #	BLACK/CLEAR PART #
-4	640250	640251	-
-6	640160	640161	640163
-8	640170	640171	640173
-10	640180	640181	-
-12	640190	640191†	-

## CARB/FUEL PUMP ADAPTER FITTINGS

AN SIZE	QTY.	ZINC-PLATED STEEL PART #	ENDURA PART #
-6	1	640330	640331
-8	1	640390	-

APPLICATION: Ford, Chrysler, and early Chevy pumps with 1/2"-20 inverted flare thread.

## CARB/FUEL PUMP ADAPTER FITTINGS

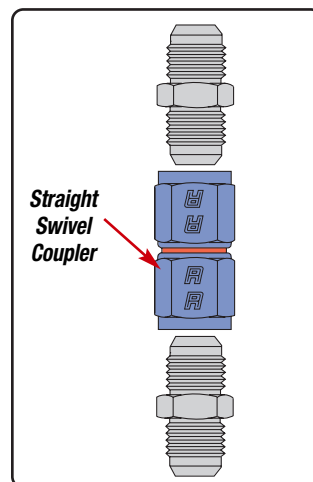
AN SIZE	QTY.	ZINC-PLATED STEEL PART #	ENDURA PART #
-6	1	640380	640381
-8	1	640400	-

APPLICATION: Chevy fuel pumps (1970 and later) inline filters with 5/8"-18 inverted flare thread.

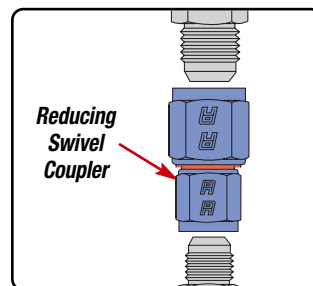
## FUEL PUMP ADAPTER FITTINGS/EDELBROCK

AN SIZE	THREAD SIZE	QTY.	ZINC-PLATED STEEL PART #
-6	-	1	640950
-8	-	1	640960
-	3/8" IF x 5/8" -18	1	640970
-	1/4" FNPT x 5/8" -18	1	640980

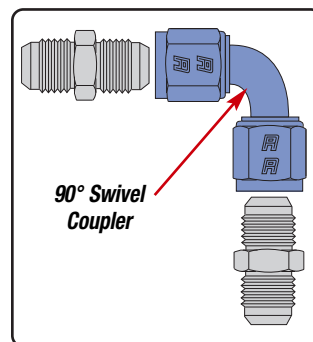
APPLICATION: For Edelbrock billet fuel pumps with 5/8"-18 thread & copper sealing washer.  
†Available while supplies last.



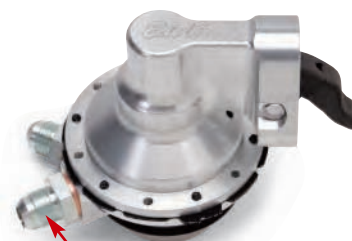
Straight Swivel Coupler



Reducing Swivel Coupler



90° Swivel Coupler



#640960 installed on an Edelbrock Billet Aluminum 170 Fuel Pump #17000

Listings in red are new!



# ADAPTER FITTINGS

PROCLASSIC HOSE  
HOSE & HOSE ENDS  
ADAPTER FITTINGS  
QUICK RELEASE  
FUEL MANAGEMENT  
ACCESSORIES  
BRAKE HOSES  
DEALER  
INDEX



#640240

**NEW!**



#640273



#640340



#640200



#640231



#640220

**NEW!**



#640213



#640770

## CARB ADAPTER FITTINGS

AN SIZE	QTY.	BLUE PART #	ENDURA PART #	BLACK/CLEAR PART #
-6	1	640240	640241	640243

APPLICATION: Edelbrock Thunder Series, Performer Series and Carter AFB carburetors with 5/8"-20 thread.

## CARB BANJO ADAPTER FITTINGS

AN SIZE	QTY.	RED/BLUE PART #	ENDURA PART #	BLACK/CLEAR PART #
-6	1	640270	640271	640273

APPLICATION: Edelbrock Thunder Series, Performer Series and Carter AFB carburetors with 5/8"-20 thread. Banjo fitting assembles directly to hose.

## QUADRAJET CARB ADAPTER FITTINGS

DESCRIPTION	QTY.	RED PART #
1"-20 x 6 AN Male Flare Adapter	1	640340
1"-20 x 8 AN Male Flare Adapter	1	640350

APPLICATION: Edelbrock Q-Jets for vehicles 1966-89. Also fits stock factory Q-Jets for 1974-89.

## CARB ADAPTER FITTINGS

AN SIZE	QTY.	ZINC-PLATED STEEL PART #	ENDURA PART #	BLACK PART #
-6	2	640200	640201	640203

APPLICATION: Holley Single Feed 600-660 Series, Holley Dual Feed 4010-4011 Series, all Two Barrel Series and Demon with 9/16"-24 thread.

## CARB BANJO ADAPTER FITTINGS

AN SIZE	QTY.	RED/BLUE PART #	ENDURA PART #	BLACK/CLEAR PART #
-6	1	640230	640231	640233

APPLICATION: Holley Single Feed 600-660 Series, and all two barrel series with 9/16" - 24 thread. Banjo fitting assembles directly to hose.

## CARB ADAPTER FITTINGS

AN SIZE	QTY.	RED PART #	ENDURA PART #	BLACK PART #
-6	2	640220	640221	640223

APPLICATION: Holley Dual Feed 750 through Dominator 1350 Series, Quadrajet up to 1974 with 7/8"-20 thread.

## CARB ADAPTER FITTINGS

AN SIZE	QTY.	RED PART #	ENDURA PART #	BLACK PART #
-8	2	640210	640211	640213

APPLICATION: Holley Dual Feed 750 thru Dominator 1350 Series. Overall length is 2".

## CARB INLET FITTINGS

AN SIZE	QTY.	RED/BLUE PART #	ENDURA PART #	BLACK PART #
-8	2	640770	640771	640773

APPLICATION: Fits any Demon and BG carburetor with 9/16"-24 inlet thread. Overall length is 3-1/4".



# ADAPTER FITTINGS

PROCLASSIC HOSE

HOSE & HOSE ENDS

ADAPTER FITTINGS

QUICK RELEASE

FUEL MANAGEMENT

ACCESSORIES

BRAKE HOSES

DEALER

INDEX

#640750



## CARB INLET FITTINGS

AN SIZE	QTY.	RED/BLUE PART #	ENDURA PART #
-8	2	640750	640751

APPLICATION: Holley Dual Feed 750 through Dominator 1350 Series. Overall length is 3-1/4".

## CARB ADAPTER FITTINGS

DESCRIPTION	QTY.	RED/BLUE PART #	ENDURA PART #	BLACK/CLEAR PART #
7/8" -20 x -6 AN Male Flare Extended Carb Fitting with Reduced Hex	2	640360	640361	-
7/8" -20 x -8 AN Male Flare Extended Carb Fitting with Reduced Hex	2	640370	640371	-
7/8" -20 x -8 AN Female Flare Extended Carb Fitting with Reduced Hex	2	640760*	640761*	640763

\*APPLICATION: Holley Dual Feed 750 thru Dominator 1350 Series. Overall length is 2".

## GM TBI ADAPTER FITTINGS

DESCRIPTION	QTY.	PART #
-6 to 12mm x 1.50 O-Ring Seal	1	640800
-6 to 14mm x 1.50 O-Ring Seal	1	640810

## PUSH-ON EFI FITTINGS (FOR OEM HARD LINES)

DESCRIPTION	QTY.	RED/BLUE PART #	BLACK/CLEAR PART #
-6 to 3/8" hard tube adapters	1	640850	640853
-6 to 5/16" hard tube adapters	1	640860	640863

APPLICATION: Fits LT1, LT4, and LS1 (pressure side).

## FORD EFI FITTINGS

DESCRIPTION	QTY.	RED/BLUE PART #	BLACK/CLEAR PART #
Ford Return Side EFI x 6 AN	1	640870	640873
Ford Pressure Side EFI x 8 AN	1	640880	640883
Ford Pressure Side EFI x 6 AN	1	640900	640903

## EFI FUEL PRESSURE FITTING

DESCRIPTION	QTY.	PART #
Ford EFI Fuel Pressure -4 AN x 1/16" NPT	1	640890

## BANJO FUEL FITTING

DESCRIPTION	QTY.	RED/BLUE PART #	BLACK/CLEAR PART #
-6 AN Male Flare for Civics w/out Fuel Pressure Damper (12mm)	1	640910*	640913*
-6 AN Male Flare for Civics/Integras with Fuel Pressure Damper (12mm)	1	640920	640923

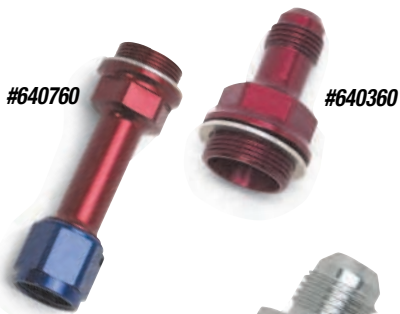
\*Fits 1991-95 MR2 also

## FUEL PRESSURE TAKEOFF BANJO BOLT

DESCRIPTION	QTY.	PART #
12mm x 1.25 with 1/8" NPT port; for use with #640910, #641110 & #641120	1	640700*

\*Fits many Hondas and Toyotas

#640760



#640360

#640850



#640800

#640873



**NEW!**

#640870



#640923

**NEW!**



#640700



Listings in red are new!



# ADAPTER FITTINGS

PROCLASSIC HOSE

HOSE & HOSE ENDS

ADAPTER FITTINGS

QUICK RELEASE

FUEL MANAGEMENT

ACCESSORIES

BRAKE HOSES

DEALER

INDEX



## UNIVERSAL TURBO FITTINGS

Ideal for custom applications using Garrett T03, T25, T28 turbochargers. Engineered for maximum flow and a secure fit, these adapters allow easy plumbing for your turbo's oil and water hoses.

DESCRIPTION	QTY.	PART #
Oil drain to male -10 AN adapter blue anodized aluminum, includes Viton® O-ring	1	697070
Water inlet/outlet 14mm banjo to -6 twist lock hose adapter, zinc plated steel, includes M14 x 1.5 banjo bolt and crush washers	1	697080
Oil pan flange, adapts a male -10 AN to any oil pan, black zinc plated steel, includes gasket and mounting bolts	1	697090
Oil inlet (7/16"-24 inverted flare) to -6 male AN, zinc plated steel	1	697100



## FUEL PRESSURE TAKE OFF\*

AN SIZE	RED/BLUE PART #	BLACK/CLEAR PART #
-4	670290	-
-6	670340	670343
-8	670350	670353
-10	670360	-

\*1/8" NPT side port

**NEW!**



## FLARE 90° FUEL PRESSURE ADAPTER\*

AN SIZE	BLUE PART #
-8	640790

\*1/8" NPT side port



## FLARE UNION PRESSURE ADAPTER\*

AN SIZE	BLUE PART #	ENDURA PART #
-6	670000	670001
-8	670010	670011

\*1/8" NPT side port



## FLARE TO PIPE PRESSURE ADAPTER\*

AN SIZE	PIPE SIZE	BLUE PART #	ENDURA PART #	BLACK PART #
-6	1/4"	670050	670051	-
-6	3/8"	670060	670061	670063
-8	3/8"	670080	670081	670083

\*1/8" NPT side port

## AN TO METRIC

DESCRIPTION	PART #
-6 AN male to M10 x 1.0" metric, steel w/crush washers (fits Edelbrock #3594 & other aftermarket fuel pumps)	670470

# STAINLESS HOSE ENDS & ADAPTERS

## STAINLESS STEEL HOSE ENDS AND ADAPTER FITTINGS

Russell Stainless Steel Adapter Fittings and Full Flow Hose Ends are made of extremely durable 303 stainless steel, precision machined to ensure precise thread engagement and a tight seal. Russell stainless steel hose ends and fittings provide maximum protection against

corrosion and the ultimate in strength and appearance. 303 stainless steel fittings and hose ends are the premium choice for all severe-duty applications including marine, street rods and race. Works well with Russell ProFlex, ProRace or ProClassic hose.



#610032

### STAINLESS HOSE ENDS

AN SIZE	STAINLESS STEEL PART #
-3*	610002
-4	610012
-8	610032
-10	610042
-12	610052

\*For -3 PowerFlex Hose



#661022

### STAINLESS FLARE TEE

AN SIZE	STAINLESS STEEL PART #
-4	661002
-6	661022
-8	661032
-10	661042
-12	661052



#660352

### STAINLESS FLARE UNION

AN SIZE	STAINLESS STEEL PART #
-4	660342
-6	660352
-8	660362
-10	660372
-12	660382



#661072

### STAINLESS FLARE TO PIPE TEE

AN SIZE	PIPE SIZE	STAINLESS STEEL PART #
-3	1/8"	661062
-4	1/8"	661072



#660462

### STAINLESS FLARE TO PIPE STRAIGHT

AN SIZE	PIPE SIZE	STAINLESS STEEL PART #
-3	1/8"	660412
-4	1/8"	660422
-6	1/8"	660452
-6	1/4"	660442
-6	3/8"	660462
-8	1/4"	660472
-8	3/8"	660482
-8	1/2"	660492
-10	1/2"	660502
-12	3/4"	660512



#661112

### STAINLESS FLARE TO PIPE TEE ON RUN

AN SIZE	PIPE SIZE	STAINLESS STEEL PART #
-3	1/8"	661102
-4	1/8"	661112



#661182

### STRAIGHT FLARE BULKHEAD

AN SIZE	STAINLESS STEEL PART #
-3	661162
-4	661172
-6	661182
-8	661192
-10	661202
-12	661212



#660842

### STAINLESS 90° FLARE

AN SIZE	PIPE SIZE	STAINLESS STEEL PART #
-3	1/8"	660792
-4	1/8"	660802
-4	1/4"	660812
-6	1/4"	660822
-6	3/8"	660842
-8	3/8"	660862
-8	1/2"	660872
-10	1/2"	660882
-12	3/4"	660892



#660952

### STAINLESS 45° FLARE

AN SIZE	PIPE SIZE	STAINLESS STEEL PART #
-3	1/8"	660932
-4	1/8"	660942
-6	1/4"	660952
-8	3/8"	660962
-10	1/2"	660972
-12	3/4"	660982

Stainless steel hose ends and fittings are available while supplies last.



# QWIK RELEASE

## QWIK Release

### QUICK DISCONNECT HOSE ENDS & FITTINGS

Russell offers an exciting line of Qwik Release Fittings manufactured by Jiffy-Tite®. These lightweight fittings are compact in design, constructed of 6061-T6 aluminum and feature brass valves, stainless steel ball bearings, a leak-proof face seal and 360° swivel. The Qwik Release hose ends are available in sizes -6, -8 & -10 AN with the option of a valved or non-valved socket and plug design. The valved technology allows the user to disconnect the fitting and stop the fluid flow when disconnected, while the non-valved design offers the same quick disconnect functionality but will continue to allow fluid flow when disconnected. A unique ribbed collar design provides a slip-proof connection for added convenience.



Qwik Release hose ends and fittings allow you to quickly disconnect your lines for clean and easy tuning at the track

#### PRESSURE/TEMP

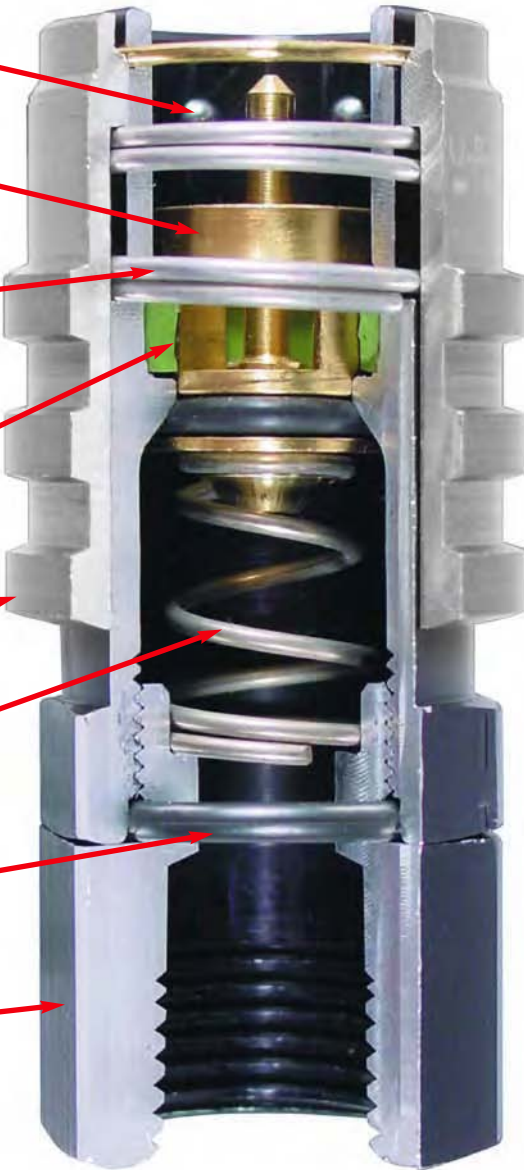
Maximum Operating Pressure - 200 psi  
Temperature 0° - 350° Fahrenheit

### QUICK-CONNECT FLUID FITTINGS

- Quickly disconnect carb fuel inlets for clean and easy tuning at the track
- Designed for a convenient, clean and attractive plumbing set-up in any application
- High flow design works with most automotive fluids including, fuel, water, transmission fluid and more
- Connect and disconnect in seconds without any tools
- Variety of interchangeable adapters available
- SCCA accepted, NHRA and IHRA approved
- Used by many NASCAR teams



High flow design works with most automotive fluids including fuel, water, transmission fluid and more



**Stainless Steel Ball Bearings**  
Corrosion resistant; built to withstand heavy usage

**Brass Valve**  
Durable design and resists corrosion from most fluids

**Stainless Steel Collar Spring**  
High quality spring allows for smooth operation

**Face Seal**  
Unlike O-ring seals, can endure continued usage without damage while maintaining a positive seal

**Ribbed Collar**  
For slip-proof operation

**Stainless Steel Valve Spring**  
Ensures constant seat pressure for leak-proof operation

**O-Ring Seal**  
Provides a 100% leak proof seal at body

**6061-T6 Aluminum**  
Aircraft quality material is tough and stays looking good

PROCLASSIC HOSE

HOSE & HOSE ENDS

ADAPTER FITTINGS

QWIK RELEASE

FUEL MANAGEMENT

ACCESSORIES

BRAKE HOSES

DEALER

INDEX

# QWIK RELEASE

## CONFIGURATIONS

- Plug assembly and socket assembly are sold separately
- Available in three different internal size series
- Utilize the flow information chart on page 35 to select the correct size
- Valved fittings prevent fluid loss from system when disconnected with minimal flow restriction
- Non-valved fittings allow optimum flow when fluid loss is not an issue while disconnected

**221402**  
**ITEM #**  
**THREAD TYPE**  
**SERIES CONFIGURATION**

The Russell Qwik Release part number system makes fitting identification fast and easy.

### THREAD TYPE (4TH DIGIT OF PART NUMBER)

- |                       |                               |
|-----------------------|-------------------------------|
| 1. 37° AN Female      | 5. Barb End                   |
| 2. 37° AN Male        | (Clamp on)                    |
| 3. Pipe Thread Female | 6. Hose End Straight          |
| 4. Pipe Thread Male   | 7. Hose End 45°               |
|                       | 8. Hose End 90°               |
|                       | 9. Specialty Adapter Fittings |

## QWIK RELEASE FITTINGS (NPT)

220000 SERIES		SOCKET		PLUG	
SIZE	END TYPE	VALVED	NON-VALVED	VALVED	NON-VALVED
1/4" NPT	Male	221402	221403	222402	222403
1/8" NPT	Female	221300	-	222300	-
1/8" NPT	Male	221400	221401	222400	222401

230000 SERIES		SOCKET		PLUG	
SIZE	END TYPE	VALVED	NON-VALVED	VALVED	NON-VALVED
1/4" NPT	Female	231302	231303	232302	232303
1/4" NPT	Male	231402	231403	232402	232403
3/8" NPT	Male	231404	231405	232404	232405

250000 SERIES		SOCKET		PLUG	
SIZE	END TYPE	VALVED	NON-VALVED	VALVED	NON-VALVED
1/2" NPT	Female	251306	251307	252306	252307
1/2" NPT	Male	251406	251407	252406	252407
3/4" NPT	Female	251308	251309	252308	252309
3/4" NPT	Male	251408	251409	252408	252409
3/8" NPT	Female	251304	251305	252304	252305
3/8" NPT	Male	251404	251405	252404	252405

## QWIK RELEASE FITTINGS (AN)

220000 SERIES		SOCKET		PLUG	
SIZE	END TYPE	VALVED	NON-VALVED	VALVED	NON-VALVED
6 AN	Hose Barb	221506	-	222506	-

230000 SERIES		SOCKET		PLUG	
SIZE	END TYPE	VALVED	NON-VALVED	VALVED	NON-VALVED
6 AN	Female	231106	231107	232106	232107
6 AN	Male	231206	231207	232206	232207
8 AN	Female	231108	231109	232108	232109
8 AN	Male	231208	231209	232208	232209
8 AN	Hose Barb	231508	-	232508	-

250000 SERIES		SOCKET		PLUG	
SIZE	END TYPE	VALVED	NON-VALVED	VALVED	NON-VALVED
10 AN	Female	251110	251111	252110	252111
10 AN	Male	251210	251211	252210	252211
10 AN	Hose Barb	251510	-	252510	-
12 AN	Female	251112	251113	252112	252113
12 AN	Male	251212	251213	252212	252213



PROCLASSIC HOSE

HOSE & HOSE ENDS

ADAPTER FITTINGS

QWIK RELEASE

FUEL MANAGEMENT

ACCESSORIES

BRAKE HOSES

DEALER

INDEX

# QWIK RELEASE

## QWIK RELEASE HOSE ENDS

Between rounds or heat races, time is of the essence; Qwik Release Hose Ends and adapters are the answer. Designed for quick installation or removal, without tools, simple Qwik Release design ensures precise attachment, eliminating the possibility of leaks from loose or over-tightened hose ends.

Engineered using our proven Full Flow hose end design, Qwik Release Hose Ends assure ease of assembly with Russell ProFlex, ProRace or ProClassic Hose for a balanced and trouble free assembly. See pages 2, 11, 12 for more information or to order ProFlex, ProRace or ProClassic Hose.

AN	VALVED	NON-VALVED
-6	222606	222607
-6	232606	232607
-8	232608	232609
-10	252610	252611
-12	252612	252613



**PLUG**  
Reusable Hose End Straight Plug

## QWIK RELEASE ADAPTERS

Qwik Release Plug Adapters are available in standard pipe or our unique Radius AN style port adapter. Available valved to fit most popular fuel pumps, fuel filters and regulators, both EFI and carbureted.



**RADIUS PLUG PORT ADAPTER**

RADIUS PORT SIZE	PLUG SERIES	PART #
-6 AN (9/16 - 18)	220000	222906
-6 AN (9/16 - 18)	230000	232906
-8 AN (3/4 - 16)	230000	232908
-8 AN (3/4 - 16)	250000	252908
-10 AN (7/8 - 14)	250000	252910
-12 AN (1-1/16 - 12)	250000	252912

## TRANSMISSION KITS

Kits feature ProFlex hose with factory crimped ends for years of service. All Kits come standard with fluorocarbon seals and Qwik Release valved end fittings to eliminate fluid loss when disconnected. For use with transmissions with 1/8" or 1/4" Female NPT case threads.

DESCRIPTION	PROFLEX	PROCLASSIC
	PART #	PART #
Universal Transmission Kit with Male Plug Socket Ends, -6 37° male end, 1/8" or 1/4" Pipe Male End	650040	650043

AN	VALVED	NON-VALVED
-6	221606	221607
-6	231606	231607
-8	231608	231609
-10	251610	251611
-12	251612	251613

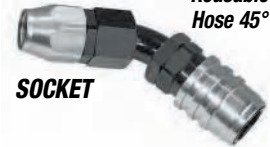
**SOCKET**



Reusable Hose End Straight

AN	VALVED	NON-VALVED
-6	221706	-
-8	231708	-
-10	251710	-

Reusable Hose 45°



**SOCKET**

AN	VALVED	NON-VALVED
-6	221806	-
-8	231806	-
-10	251810	-

**SOCKET**



Reusable Hose End 90°

AN	VALVED	NON-VALVED
1/8"	222400	222401
1/4"	222402	222403
1/4"	232402	232404
3/8"	232404	232405
3/8"	252404	252405
1/2"	252406	252407
3/4"	252408	252409

**MALE PIPE PLUG**



APPLICATION	PLUG SERIES	PART #
-6 Holley 750 through 1350 7/8-20 Thread	220000	222930
-6 Holley 600-660/4010-4011 Demon, King Demon 9/16-24 Thread	220000	222931
-8 Holley 750 through 1350 7/8-20 Thread	230000	232933
-8 Holley 600-660/4010-4011, Demon King Demon 9/16-24 Thread	230000	232934

**NOTE:**

For use with gasoline only. For alcohol or methanol, you must use the Carburetor Fitting Kit on the next page.



**CARB ADAPTER PLUG**

**NEW!**



PROCLASSIC HOSE

HOSE & HOSE ENDS

ADAPTER FITTINGS

QWIK RELEASE

FUEL MANAGEMENT

ACCESSORIES

BRAKE HOSES

DEALER

INDEX

## CARB FITTING KIT

A Qwik Release carburetor kit allows carb jets to be changed quickly. No tools are required to remove fuel lines from the bowls, saving valuable time. Qwik Release simply detaches the hose from the carb fitting, leaving each end with a positive seal, once disconnected, so there is no fuel loss.

The socket assembly attaches directly to Russell ProFlex, ProRace or ProClassic Hose, keeping the system clean and simple. Kits come complete with two socket hose ends, two bowl adapter plugs and sealing washers. Available in -6 or -8 for most popular carb applications.

### TECH TIPS

- A) All of the same series are interchangeable as long as valved are used with valved and non-valved with non-valved.
- B) When using the reusable hose ends, utilize the plug configuration to connect to your pump (etc.) as you would an AN style adapter.

CARB TYPE	SIZE	-6	-8
Dual Feed Holley 750 through 1350 Dominator	7/8-20 Threads	249106	249308
Dual Feed Holley 750 through 1350 Dominator (for use with Alcohol/Methanol)	7/8-20 Threads	249116	249318
Single Feed Holley 600 – 660/4010/4011 Demon, King Demon	9/16-24 Threads	249206	249408
Single Feed Holley 600 – 660/4010/4011 Demon, King Demon (for use with Alcohol/Methanol)	9/16-24 Threads	249216	249418



## FLOW INFORMATION

220000 SERIES			230000 SERIES			250000 SERIES		
PRESSURE IN PSI	QWIK RELEASE VALVED FLOW		PRESSURE IN PSI	QWIK RELEASE VALVED FLOW		PRESSURE IN PSI	QWIK RELEASE VALVED FLOW	
	GPM	GPH		GPM	GPH		GPM	GPH
5	1.75	105	5	4.34	260.4	5	7.86	471.6
10	2.32	139.2	10	5.31	318.60	10	10.64	638.4
20	3.16	189.6	20	6.83	409.8	20	14.60	876
30	4.08	244.8	30	8.24	494.4			
40	4.23	253.8	40	9.49	569.4			
50	4.67	280.2	50	10.50	630			
60	5.10	306	60	11.45	687			

## DIMENSIONS

	220000 SERIES	230000 SERIES	250000 SERIES
A.	0.24	0.37	0.59
B.	0.37	0.53	0.78
C.	0.75	1.03	1.37
D.	1.68 Max.	2.01 Max.	2.69 Max.
E.	1.86 Max.	2.34 Max.	3.06 Max.
F.	3.13 Max.	3.74 Max.	5.25 Max.

# FUEL HOSE KITS

PROCLASSIC HOSE  
HOSE & HOSE ENDS  
ADAPTER FITTINGS  
QWIK RELEASE  
FUEL MANAGEMENT  
ACCESSORIES  
BRAKE HOSES  
DEALER  
INDEX

## STAINLESS STEEL BRAIDED FUEL HOSE KITS

Engineered to replace stock fuel hoses exactly, these fuel hose kits are complete and ready-to-run. Built with Russell stainless steel braided hose and anodized aluminum hose ends, they easily connect to the OE component for maximum reliability and a professional-looking installation. The stainless steel outer braid resists abrasion and corrosion and a CPE synthetic rubber hose is compatible with all hydrocarbon and alcohol-based fuels.

### HONDA FUEL HOSE KITS

APPLICATION	PART #
Pre-fit stainless steel fuel hose kit for 1996-00 Honda Civic DX, LX, EX	641110
Pre-fit stainless steel fuel hose kit for 1992-95 Honda Civic EX, 1999-00 Civic Si, 1994-01 Acura Integra	641120

### MUSTANG FUEL HOSE KITS

APPLICATION	PART #
1987-93 5.0L Mustang	651104
2005-07 4.6L Mustang GT	651106

### PONTIAC GTO HOSE FUEL KIT

APPLICATION	PART #
2004 5.7L & 6.0L GTO	651105
2005-06 5.7L & 6.0L GTO	651108

### DODGE FUEL HOSE KIT

APPLICATION	PART #
2006-07 5.7L Charger R/T	651107

## PRE-FITTED FUEL HOSE KITS

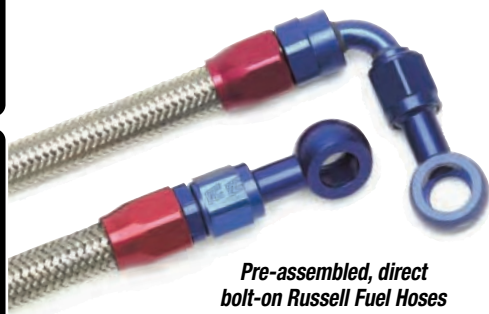
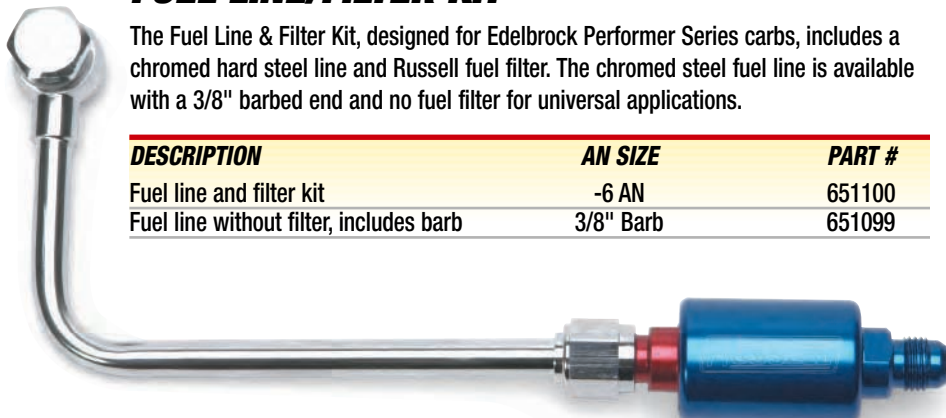
Our Pre-Fitted Stainless Steel Hoses are designed to work in conjunction with part #651100 when connecting the -6 filter to an Edelbrock Street Fuel Pump or any pump with 3/8" NPT outlets.

APPLICATION	AN SIZE	PART #
Small-Block Chevy	-6	651101
Big-Block Chevy	-6	651102
Small-Block Ford	-6	651103

## FUEL LINE/FILTER KIT

The Fuel Line & Filter Kit, designed for Edelbrock Performer Series carbs, includes a chromed hard steel line and Russell fuel filter. The chromed steel fuel line is available with a 3/8" barbed end and no fuel filter for universal applications.

DESCRIPTION	AN SIZE	PART #
Fuel line and filter kit	-6 AN	651100
Fuel line without filter, includes barb	3/8" Barb	651099



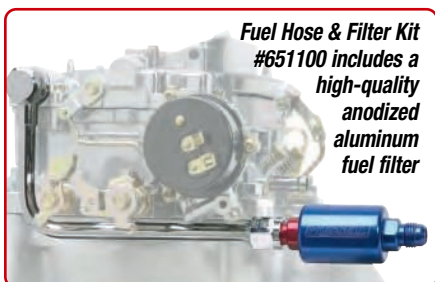
Pre-assembled, direct bolt-on Russell Fuel Hoses for Honda applications



Russell stainless steel fuel hose kit #651104 for 5.0L Ford Mustangs



B/B Chevy Pre-Fitted Stainless Steel Hose Kit used with Russell Fuel Hose and Filter Kit



Fuel Hose & Filter Kit #651100 includes a high-quality anodized aluminum fuel filter



# FUEL HOSE KITS

PROCLASSIC HOSE

HOSE & HOSE ENDS

ADAPTER FITTINGS

QUICK RELEASE

FUEL MANAGEMENT

ACCESSORIES

BRAKE HOSES

DEALER

INDEX

Russell Fuel System Kit #641523 for Holley/Demon Dual-Feed Carbs

**NEW!**



## RUSSELL COMPLETE FUEL SYSTEM KITS

- Available with traditional red/blue fittings or black/clear fittings for a unique look!
- Includes everything you need to build a complete fuel system
- Carbureted Kits Include:
  - Edelbrock Electric Fuel Pump and Fuel Pressure Regulator
  - Fuel Filter
  - Dual-Feed Carb Kit
  - Fuel Pump Relay Kit
  - Pressure Gauge
  - ProClassic or ProFlex Hose
- EFI Kits Include:
  - Edelbrock Electric Fuel Pump and Fuel Pressure Regulator
  - Fuel Filter Assembly
  - Fuel Rail Kit
  - Fuel Pump Relay Kit
  - ProClassic or ProFlex Hose

Complete Fuel System Kits include a state-of-the-art Edelbrock Electric Fuel Pump offering maximum performance in a compact package. Kits also include matching Fuel Pressure Regulator (if required), a Russell ProFilter fuel filter, a dual-feed carb kit with fittings (carb applications), a fuel pump relay and wiring assembly, 20 feet of our ProClassic or traditional ProFlex hose, plus an assortment of hose ends, adapters and mounting brackets. Available with traditional red/blue or black/clear fittings for a unique look!

### CARBURETED APPLICATIONS

APPLICATION	RED/BLUE PART #	BLACK/CLEAR PART #
Edelbrock Dual-Feed Thunder Series AVS Carburetors	641510	641513
Holley/Demon Dual-Feed Carburetors	641520	641523

Fuel Pump Flow Specs: 160 gallons/hour (free flow) capable of 1,008 hp max @ 7.5 p.s.i. @ 14V

### EFI APPLICATIONS

APPLICATION	RED/BLUE PART #	BLACK/CLEAR PART #
Chevrolet LS1 with Edelbrock Victor Jr. manifold #29085 only	641530	641533
Ford 5.0L passenger car applications	641540	641543
Honda B-series applications	641560	641563

Fuel Pump Flow Specs: LS1 & 5.0L: 80 gallons/hour @ 12V @ 45 p.s.i., capable of 820 hp max  
Honda B-series: 255 liters/hour @ 13.5V @ 43 p.s.i., capable of 600 hp max

## RUSSELL FUEL PLUMBING KITS

Russell Fuel Plumbing Kits include all of the necessary components to plumb your fuel system from the firewall to the manifold. Kits include an Edelbrock Fuel Pressure Regulator, Fuel Rail kit, and new ProClassic or traditional ProFlex hose, plus an assortment of straight, 45° and 90° hose ends, adapters and mounting brackets. Available with traditional red/blue or black/clear fittings for a unique look!

APPLICATION	RED/BLUE PART #	BLACK/CLEAR PART #
Ford 5.0L passenger cars	641550	641553
Honda B-series engines	641570	641573

**NEW!**



Russell Fuel Plumbing Kit #641570 for Honda B-series engines

Listings in red are new!



# FUEL HOSE KITS

PROCLASSIC HOSE

HOSE & HOSE ENDS

ADAPTER FITTINGS

QUICK RELEASE

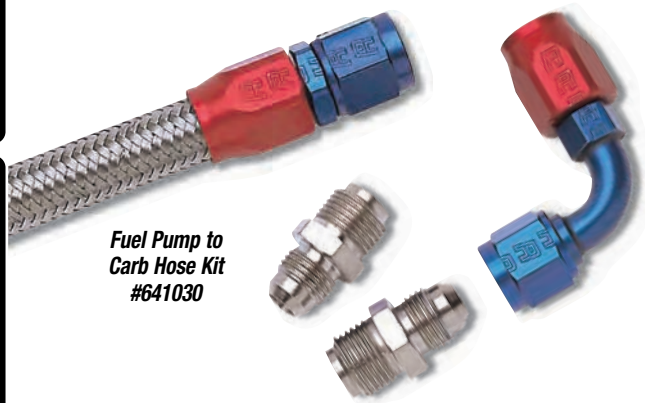
FUEL MANAGEMENT

ACCESSORIES

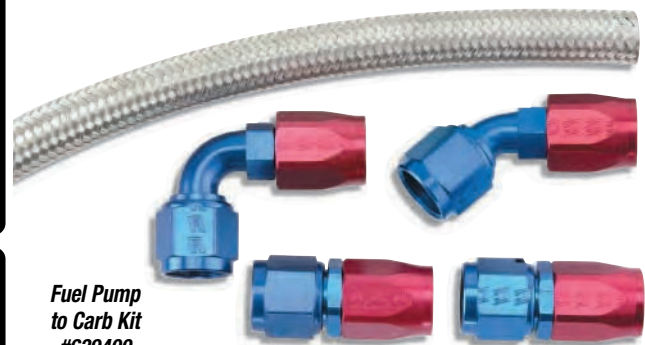
BRAKE HOSES

DEALER

INDEX



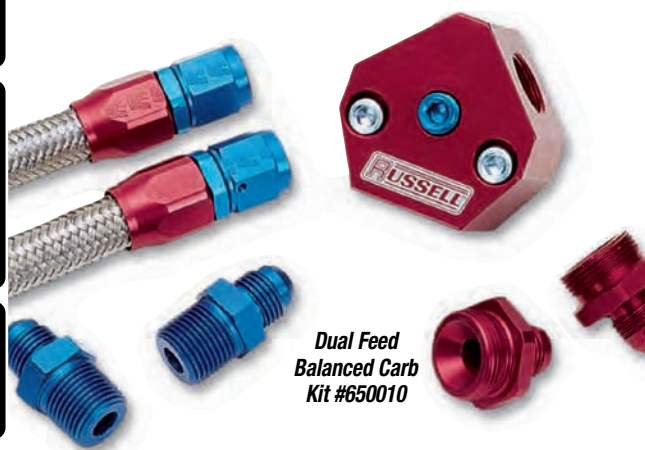
Fuel Pump to Carb Hose Kit #641030



Fuel Pump to Carb Kit #639400



Tunnel Ram Kit #650020



Dual Feed Balanced Carb Kit #650010

## PRE-FITTED FUEL PUMP TO CARB KITS

- Designed to replace your original fuel line
- Fits most GM applications
- Kits include Big Bore Carb Bowl Fitting, Fuel Pump Adapter, two Full Flow Hose Ends and a pre-cut length of -6 ProFlex Hose

DESCRIPTION	LENGTH	PART #
Fuel Pump to Carburetor Hose Kit (GM product with quadrajet, 1974 and later)	2-1/2'	641020
Fuel Pump to Carburetor Hose Kit (GM product for use with Kit No. 641090)	2'	641030
Fuel Pump to Carburetor Hose Kit (Universal Tube Seal Ends)	3'	641050

## FUEL PUMP TO CARB KITS

Designed to use with Russell's -8 Dual Inlet Kits, the Fuel Pump to Carb Kit is constructed of ProFlex Stainless Steel Braided Hose. Extra adapters and 4 ft. of -8 hose are included to work with most aftermarket high volume engine mounted pumps.

APPLICATION	HOSE	PART #
Fuel Pump to -8 Dual Inlet Kit - Holley	ProFlex - 4'	639400

## FUEL HOSE KITS FOR HIGH PERFORMANCE STREET APPLICATIONS

To complete your fuel system, select from one of Russell's Street Performance Fuel Hose Kits. Designed to fit most aftermarket and late-model factory carburetors, these fuel hose kits are available in traditional stainless steel braided hose.

## TUNNEL RAM KIT

Russell's Tunnel Ram Kit is designed for "high rise" or tunnel ram manifolds with dual carburetors. This kit offers a 3/8" NPT female Y-Block inlet/outlet including two big bore carb bowl fittings, four Full Flow Hose Ends and two 18" lengths of -6 ProFlex Hose.

APPLICATION	PART #
Holley Tunnel Ram Kit for 600/660 Carbs	650020
Edelbrock Tunnel Ram Kit for Performer Series Carbs	650080

## DUAL FEED BALANCED CARB KIT FOR HOLLEY CARBS

Russell's Dual Feed Balanced Carb Kit delivers high volumes of fuel. The fuel block features a 3/8" NPT female inlet/outlet. This kit includes two big bore carburetor bowl fittings, four Full Flow Hose Ends and two 8" lengths of -6 ProFlex Hose.

APPLICATION	PART #
7/8" -20 Inlet Balanced Carburetor Kit for Holley 4150 Series Carbs	650010

# FUEL HOSE KITS

## -8 DUAL INLET CARB KITS FOR HIGH-PERFORMANCE STREET AND COMPETITION

These fully assembled high-quality kits are manufactured by Russell in the USA. They are available with either Twist-Lok, ProClassic or ProFlex stainless steel braided hose. Each kit is drilled and tapped with 1/8" NPT female port for optional fuel pressure gauge. Includes AN swivel fittings, billet or forged fuel reservoirs, fuel bowl washers, -8 AN inlet and 1/8" pipe plug. 0-15 psi gauge #650330 is sold separately, see page 41. Please note: These Dual Inlet Kits do not fit Holley 4010 or 4011 Series carbs.



### -8 DUAL INLET PROFLEX CARB KITS

- Includes high-quality Russell ProFlex stainless steel braided hose
- Fully assembled with billet fuel reservoirs
- Features -8 stainless steel braided hose and inlet fitting for maximum fuel flow

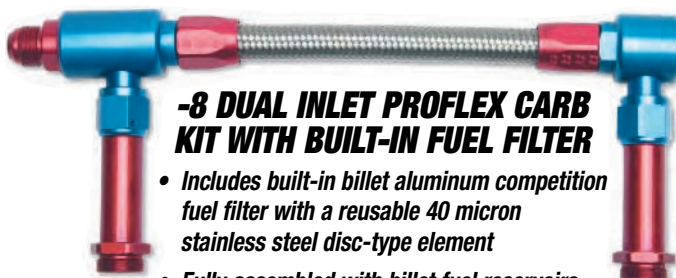
APPLICATION	RED/BLUE PART #	ENDURA PART #	BLACK/CLEAR PART #
For Holley 4150 Series carbs	641150	641151	641153
For Holley 4500 Series carbs	641140	641141	-
For Demon carbs	641180	641181	-



### -8 DUAL INLET TWIST-LOK CARB KITS

- Includes Russell Twist-Lok synthetic rubber hose
- Fully assembled with affordable forged fuel reservoirs
- Features -8 male inlet Twist-Lok Hose Ends for maximum fuel flow

APPLICATION	RED/BLUE PART #
For Holley 4150 Series carbs	641160



### -8 DUAL INLET PROFLEX CARB KIT WITH BUILT-IN FUEL FILTER

- Includes built-in billet aluminum competition fuel filter with a reusable 40 micron stainless steel disc-type element
- Fully assembled with billet fuel reservoirs
- Features -8 stainless steel braided hose and inlet fitting for maximum fuel flow
- Flows up to 130 gallons per hour

APPLICATION	RED/BLUE PART #	ENDURA PART #
For Holley 4150 Series carbs	641270	641271
For Holley 4500 Series carbs	641350	641351
For Demon carbs	641280	641281
For King Demon carbs	641360	641361

## -6 DUAL INLET CARBURETOR KITS WITH OR WITHOUT GAUGE

These fully assembled Russell kits include high-quality -6 ProClassic or ProFlex stainless steel braided hose with anodized AN fittings with a 3/8" NPT inlet. ProFlex hose utilizes an extruded CPE inner liner reinforced with a fabric braid. Kits without a gauge include 1/8" pipe plug. These Dual Inlet Kits do not fit Holley 4010 or 4011 Series carbs.



### -6 DUAL INLET FOR DEMON

DESCRIPTION	RED/BLUE PART #	ENDURA PART #	BLACK/CLEAR PART #
Without gauge	641250	641251	641253
With gauge	641260	641261	-



### -6 DUAL INLET FOR HOLLEY 4150 SERIES

DESCRIPTION	RED/BLUE PART #	ENDURA PART #	BLACK/CLEAR PART #
Without gauge	641090	641091	641093
With gauge	641100	641101	-

Listings in red are new!



# FUEL HOSE KITS

PROCLASSIC HOSE

HOSE & HOSE ENDS

ADAPTER FITTINGS

QWIK RELEASE

FUEL MANAGEMENT

ACCESSORIES

BRAKE HOSES

DEALER

INDEX



## BILLET ALUMINUM FUEL Y-BLOCKS

Designed for connecting dual fuel hoses to your carburetor, these Y-style fuel blocks are engineered for optimum flow for both street and race applications. These blocks feature 3/8" NPT inlet and outlet ports. For maximum flow applications, our race blocks utilize large 1/2" NPT inlets with either 3/8" NPT or 1/2" NPT outlet ports. All blocks feature a 1/8" NPT pressure gauge port and are anodized red for a great appearance.

DESCRIPTION	PART #
1/2" inlet and 3/8" outlet	650360
3/8" inlet and outlet	650370
1/2" inlet and outlet	650380

Polished Billet Aluminum Y-block with AN ports #650411



## BILLET ALUMINUM Y-BLOCKS WITH AN PORTS

These Russell Billet Y-Blocks are machined to accept AN straight thread adapters. Use Russell AN Radius Port Adapters for the ultimate in flow capacity, (see page 25). O-rings are required.

DESCRIPTION	BLUE PART #	POLISHED PART #	BLACK PART #
-6 inlet and -6 outlet	-	650401	650400
-10 inlet and -8 outlet	650410	650411	650413
-10 inlet and -10 outlet	650420	650421	-



Billet Aluminum Y-block with AN ports #650400

## FUEL PRESSURE GAUGES

Engineered for the serious street enthusiast, these gauges guarantee precise fuel pressure settings from 15 to 100 psi. Each comes with an easy to read face. These gauges have a chrome plated steel case with 1/8" NPT male inlet. Available in both liquid-filled and non-liquid filled models. Designed to withstand severe vibration to extend service and performance for automotive and marine usage.

### 1-1/2" GAUGES

DESCRIPTION	PART #
15 psi fuel pressure gauge (liquid-filled)	650330
100 psi fuel pressure gauge (liquid-filled)	650340
15 psi fuel pressure gauge (non liquid-filled)	650350
15 psi fuel pressure gauge, machine face (liquid-filled)	650390
15 psi fuel pressure gauge, black face and case (liquid-filled)	650310
100 psi fuel pressure gauge, black face, chrome case (liquid-filled)	650320



#650350



#650330



#650310



#650320



#650390

## FUEL AND OIL GAUGE FITTING KITS

This installation kit makes it a snap to connect remote mounted fuel or oil pressure gauges. Kit includes: 1/8" NPT block adapter, gauge adapter and one 6 foot -4 hose assembly.

DESCRIPTION	SIZE	PART #
Fitting kit with hose assembly	-4	640720

# FUEL HOSE KITS

PROCLASSIC HOSE

HOSE & HOSE ENDS

ADAPTER FITTINGS

QUICK RELEASE

FUEL MANAGEMENT

ACCESSORIES

BRAKE HOSES

DEALER

INDEX

## ALUMINUM STREET FUEL FILTERS



- Made of billet aluminum for strength and shock resistance
- Sintered-bronze 40 micron element can be cleaned or replaced
- Designed for carbureted engines making less than 300 horsepower
- Filters are bi-directional and available to fit 1/4", 5/16" or 3/8" fuel hoses

DESCRIPTION	LENGTH	DIA.	INLET/OUTLET	PART #
Chrome	3"	1-1/8"	1/4"	645000
Red	3"	1-1/8"	1/4"	645010
Blue	3"	1-1/8"	1/4"	645020
Black	3"	1-1/8"	1/4"	645030
Chrome	3"	1-1/8"	5/16"	645060
Red	3"	1-1/8"	5/16"	645070
Blue	3"	1-1/8"	5/16"	645080
Black	3"	1-1/8"	5/16"	645090
Chrome	3"	1-1/8"	3/8"	645120
Red	3"	1-1/8"	3/8"	645130
Blue	3"	1-1/8"	3/8"	645140
Black	3"	1-1/8"	3/8"	645150
Replacement Element				651660

## FUEL FILTER REPLACEMENT O-RINGS



Internal replacement Viton™ O-ring for Russell competition and ProFilter fuel filters.

DESCRIPTION	QTY.	PART #
For all Competition Filters	2	650160
For all ProFilters	3	648990

## COMPETITION FUEL FILTERS



- Designed for high volume fuel systems
- Manufactured from billet aluminum
- Offered in -6, -8 and 3/8" NPT male outlets
- 40 micron disc element
- 3/8" NPT connects directly to fuel pump, Y-block or regulator
- Offered in polished aluminum, traditional red and blue anodized and ProClassic black/clear anodized finishes

DESCRIPTION	LENGTH	DIA.	INLET/OUTLET	PART #
Red/Blue Anodized	3"	1-1/4"	-6 Male	650130
Polished Aluminum	3"	1-1/4"	-6 Male	650140
Black Anodized	3"	1-1/4"	-6 Male	650133
Red/Blue Anodized	3-1/4"	1-1/4"	-8 Male	650100
Polished Aluminum	3-1/4"	1-1/4"	-8 Male	650110
Black Anodized	3-1/4"	1-1/4"	-8 Male	650103
Red/Blue Anodized	3"	1-1/4"	-6 x 3/8" Male NPT	650190
Polished Aluminum	3"	1-1/4"	-6 x 3/8" Male NPT	650200
Red/Blue Anodized	3-1/4"	1-1/4"	-8 x 3/8" Male NPT	650170
Polished Aluminum	3-1/4"	1-1/4"	-8 x 3/8" Male NPT	650180
Replacement Element (40 microns)				651670

# FUEL HOSE KITS

PROCLASSIC HOSE

HOSE & HOSE ENDS

ADAPTER FITTINGS

QWIK RELEASE

FUEL MANAGEMENT

ACCESSORIES

BRAKE HOSES

DEALER

INDEX



#649000



#649150



#649180



#649250

**NEW!**



#649040

## PROFILTER

The Russell ProFilter is engineered to provide full flow filtration with a minimum amount of restriction. Precision machined from billet aluminum, the ProFilter end caps are removable for easy access to service the element. The replaceable element is secured with a positive O-ring seal, insuring the optimum in filtration.

- Designed for carbureted or injected engines
- Anodized in red/blue or black/clear
- Offered in -6, -8, -10 and -12 male outlets standard or in multiple end configurations
- Flows up to 140 gallons per hour at 7 psi

## 12" PROFILTERS/PAPER ELEMENT

DESCRIPTION	LENGTH	INLET/OUTLET	ELEMENT	PART #
Anodized Aluminum	12"	-8 Male	Paper	649000
Anodized Aluminum	12"	-10 Male	Paper	649020
Anodized Aluminum	12"	-12 Male	Paper	649110
Replacement Paper Element (10 microns)				649060

## 8-1/4" PROFILTERS/HIGH FLOW NYLON

DESCRIPTION	LENGTH	INLET/OUTLET	ELEMENT	RED/BLUE PART #	BLACK/CLEAR PART #
Anodized Aluminum	8-1/4"	-6 Male	Nylon	649140	649143
Anodized Aluminum	8-1/4"	-8 Male	Nylon	649150	649153
Anodized Aluminum	8-1/4"	-8 to -10 Male	Nylon	649190	-
Anodized Aluminum	8-1/4"	-10 Male	Nylon	649160	-
Anodized Aluminum	8-1/4"	-10 to -12 Male	Nylon	649200	-
Anodized Aluminum	8-1/4"	-12 Male	Nylon	649170	-
Replacement Nylon Element (60 microns)				649180	-

## 6" PROFILTER

Machined in house from 6061-T6, our ProFilter for EFI systems utilizes an aircraft designed 10 micron pleated paper element that insures the maximum in filtration while delivering large volumes of fuel. The -10 inlet and outlet ports incorporate O-ring boss sealing technology for leak-free connections. Professionally anodized in black/clear for unsurpassed appearance. Mounting clamp included.

DESCRIPTION	LENGTH	INLET/OUTLET	ELEMENT	PART #
Anodized Aluminum	6"	-10	10 micron	649250
Replacement Element				649255

For unrestricted flow utilize Russell Radius Port Adapters on page 25.

## PROFILTER BILLET BRACKET

DESCRIPTION	QTY.	PART #
Red Anodized, adjustable 1-1/4" to 2"	1	649040

Use with 12" and 8-1/4" ProFilter only.

# FUEL HOSE KITS

PROCLASSIC HOSE

HOSE & HOSE ENDS

ADAPTER FITTINGS

QUICK RELEASE

FUEL MANAGEMENT

ACCESSORIES

BRAKE HOSES

DEALER

INDEX

## ALUMINUM FUEL LINE

Lightweight, inexpensive and easy to use, Russell's aluminum fuel line is available in three sizes and three finishes to fit virtually any fuel system. Used where a flexible fuel line is not required, it is easily contoured to route along frame rails and chassis tubes. Connect to fuel line adapters using Russell tube nuts and tube sleeves and a 37° flaring tool or our Hard Tube Adapters. Rated up to 250 psi.

- Available in 25 ft. rolls of either 3/8", 1/2" or 5/8" outside diameter
- Three finishes available: natural, red or blue anodized finish
- For use with 37° flare adapter fittings using the Russell Tube Nut/Tube Sleeve combination or our Hard Tube Adapters
- Used for routing the fuel line along frame rails and to Y-Blocks or pump to carb

## ALUMINUM FUEL LINE

TUBE SIZE	COLOR	PART #
3/8"	Blue	639250
3/8"	Red	639260
3/8"	Natural	639480
1/2"	Blue	639270
1/2"	Red	639280
1/2"	Natural	639490
5/8"	Blue	639300†

†Available while supplies last.

## ALUMINUM FUEL LINE ADAPTERS

- Connects 3/8" or 1/2" aluminum tube to -6 or -8 adapters
- Unique crimp design eliminates tube flaring
- Available in male or female ends for 3/8" or 1/2" tubing

DESCRIPTION	RED/BLUE PART #	BLACK/CLEAR PART #
-6 Female Swivel to 3/8" Hose	639200	639203
-6 Male 37° to 3/8" Hose	639210	639213
-8 Female Swivel to 1/2" Hose	639220	639223
-8 Male 37° to 1/2" Hose	639230	639233

## TUBE NUT

TUBE SIZE	QTY/PKG	RED/BLUE PART #	ENDURA PART #	BLACK/CLEAR PART #
3/8"	2	660570	660571	660573
1/2"	2	660580	660581	660583
5/8"	1	660590	660591	660593

## TUBE SLEEVE

TUBE SIZE	QTY/PKG	BLUE PART #	ENDURA PART #	BLACK/CLEAR PART #
3/8"	2	660650	660651	660653
1/2"	2	660660	660661	660663
5/8"	1	660670	660671	660673



**NEW!**

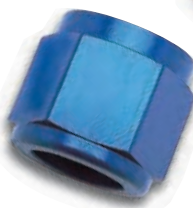
#639203



#639210



#639200



#660570



#660650

Listings in red are new!



# ACCESSORIES

PROCLASSIC HOSE

HOSE & HOSE ENDS

ADAPTER FITTINGS

QWIK RELEASE

FUEL MANAGEMENT

ACCESSORIES

BRAKE HOSES

DEALER

INDEX



## HOSE & FITTING ASSEMBLY LUBE AND SEALANT KIT

Precision Hose and Fitting Assembly Lube allows easy assembly and disassembly of hose ends. Our Assembly Lube will not damage the inner liner of the hose and prevents galling of hose ends during assembly. The Anti-Seize Thread Sealant provides an instant seal on pipe threads and eliminates the use of Teflon® tape. This sealant has a temperature range from -60° to +600° F and can be used as a gasket and flange sealant.

DESCRIPTION	PART #
Assembly Lube/Sealant Kit	671570

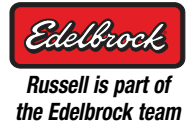
## RUSSELL AN HOSE END WRENCHES

AN Hose End Wrenches are precision machined to fit Russell hose ends without damaging the anodized finish. The satin, anodized finish features extended durability. Available individually or as a complete set.

DESCRIPTION	PART #
-6 Hose End Wrench	651900
-8 Hose End Wrench	651910
-10 Hose End Wrench	651920
-12 Hose End Wrench	651930
-16 Hose End Wrench	651940
Set of 5 Wrenches (Includes -6, -8, -10, -12, -16)	651950

## EDELBROCK BOTTLE NUT COMBO WRENCH

This Edelbrock wrench is one handy item to keep with your nitrous bottle. Compatible with all brands, it fits in your glove box, under your seat, or even in your pocket. It features 3AN, 4AN, 6AN, and 1-1/4" bottle nut wrenches all in one convenient package. Black anodized aluminum and laser etched for a sharp, clean look!



DESCRIPTION	PART #
Bottle Nut Combo Wrench	76504



## RUSSELL SAFETY WIRE PLIERS

Russell Safety Wire Pliers are great for wiring any parts subjected to loosening from vibration. This positive locking tool features automatic spin slide return.

DESCRIPTION	PART #
Safety Wire Pliers	651960



## RUSSELL SAFETY WIRE

DESCRIPTION	PART #
.032 stainless steel wire, 1-lb. spool	671580



## EPOXY CHASSIS PAINT

Russell Epoxy Frame Paint is formulated from the finest paint pigments available. It is combined with a modified formula to produce the same high gloss finish that until now has only been achieved by custom painters. The paint becomes chemically hardened during the drying process to achieve a finish that is highly resistant to both chipping and fuel discoloration.

COLOR	QTY	PART #
Black	Single Can	651441



# ACCESSORIES

PROCLASSIC HOSE

HOSE & HOSE ENDS

ADAPTER FITTINGS

QUICK RELEASE

FUEL MANAGEMENT

ACCESSORIES

BRAKE HOSES

DEALER

INDEX



## CENTERBOLT SPARK PLUG WIRE DIVIDERS

These billet aluminum spark plug wire dividers fit 1987 and later small-block GM centerbolt valve covers. They can be used with both front and rear mounted ignition systems and include all the necessary hardware. Available in red, blue or clear anodize.

DESCRIPTION	COLOR	PART #
Spark Plug Wire Divider	Aluminum	611146
Spark Plug Wire Divider	Red	611147
Spark Plug Wire Divider	Blue	611148



#611069

## CARBURETOR THROTTLE BRACKETS

These adjustable Carb Throttle Brackets fit any brand of 2-bbl. or 4-bbl. carbs and are great when changing to an aftermarket carburetor or for engine and transmission conversions. #611069 has provisions for automatic transmission kick-down cable.

DESCRIPTION	PART #
Standard Transmission	611068†
Automatic or Standard Trans	611069†

†Available while supplies last.



#611060

## PROFESSIONAL ULTRA TECH ENGINE LIFT PLATE

Manufactured from 5/16" aluminum, this plate is rated at 1000 lbs. and works with most 2-bbl and 4-bbl cast iron manifolds with 4500 Series or standard carburetor pads. Includes hardware for attachment to the manifold. **Note:** Not recommended for use with aluminum intake manifolds.

DESCRIPTION	PART #
Ultra Tech Red Anodized Aluminum Engine Lift Plate	611060†

†Available while supplies last.

## WRAP-IT FOR MAXIMUM WIRE & HOSE PROTECTION

Wrap-It is a self-wrapping, lightweight oversleeve that reduces chafing, cutting and abrading of wires and hoses. The self-wrapping feature allows for quick and easy installation and removal for assembly and/or maintenance without the need for any special tools.



Wrap-It For Maximum Wire & Hose Protection

DIAMETER	3' LENGTH	10' LENGTH
3/16"	629050	629060
5/16"	629080	629090
1/2"	629110	629120
3/4"	629140	629150
1"	629170†	629180†

†Available while supplies last.

## INNER COILS

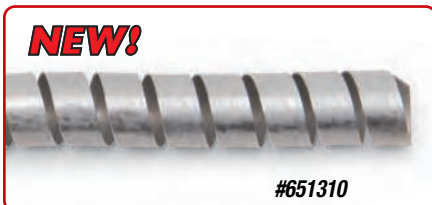
These Inner Coils can be inserted into Russell ProClassic Hose to prevent collapsing caused by vacuum, sharp turns, etc. For use with ProClassic Hose, see page 2.

SIZE	LENGTH	PART #
-8	4'	651308
-10	4'	651310
-12	4'	651312
-16	4'	651316

## TEFLON WASHERS

Replacement washers for Russell Bulkhead Fittings.

SIZE	QTY.	PART #	SIZE	QTY.	PART #
-3	10	651203	-10	10	651210
-4	10	651204	-12	10	651212
-6	10	651206	-16	10	651216
-8	10	651208			



**NEW!**

#651310



**NEW!**

#651216

Listings in red are new!



# ACCESSORIES

PROCLASSIC HOSE  
HOSE & HOSE ENDS  
ADAPTER FITTINGS  
QUICK RELEASE  
FUEL MANAGEMENT  
ACCESSORIES  
BRAKE HOSES  
DEALER  
INDEX



#651040

## VITON® AND FLUOROSILICONE O-RINGS

Replacement O-rings for use with dry sump fittings, straight threaded AN plugs and flare unions. Viton O-rings are compatible with gasoline. Fluorosilicone O-rings offer superior sealing and are the best choice for use with ethylene glycol, motor oil and methanol. Packaged in quantities of 10.

DESCRIPTION	PART #	DESCRIPTION	PART #	DESCRIPTION	PART #
-4 Viton O-Rings	651030	-12 Viton O-Rings	651070	-8 Fluorosilicone O-Rings	651051
-6 Viton O-Rings	651040	-16 Viton O-Rings	651080	-10 Fluorosilicone O-Rings	651061
-8 Viton O-Rings	651050	-4 Fluorosilicone O-Rings	651031	-12 Fluorosilicone O-Rings	651071
-10 Viton O-Rings	651060	-6 Fluorosilicone O-Rings	651041	-16 Fluorosilicone O-Rings	651081



#683980

## BRAKE CRUSH WASHERS

When changing brake hoses, always replace the sealing washers that are used with Russell's Street Legal brake hoses. Washers are sold 10 per package.

DESCRIPTION	QTY.	PART #
10mm - 3/8" Brake Hose Washers	10	683980
12mm - 7/16" Brake Hose Washers	10	683990



#645220

## CARBURETOR FITTING SEALING WASHERS

When servicing or rebuilding a carburetor, always replace the old washers with new ones. Sold 2 per package.

DESCRIPTION	QTY.	PART #
Use with Holley & Demon 9/16" -24 carb fittings	2	645210
Use with Holley & Quadrajet 7/8" -20 carb fittings	2	645220
Use with Edelbrock & Carter 5/8" -20 carb fittings	2	645230
Use with Quadrajet 1" -20 carb fittings	2	645240



#650980

## CUSHION CLAMPS

For the optimum method of securing hoses to frames or boat runners, mechanics choose Russell Cushion Clamps. The spring steel tab mount with the rubber covered hose loop provides a rigid vibration absorbing mount for hoses and/or tubing.

DESCRIPTION	QTY.	PART #
Holds Hose -4	10	650970
Holds Hose -6	10	650980
Holds Hose -8	6	650990
Holds Hose -10	6	651000
Holds Hose -12	6	651010

**NEW!**

#645551

#645550



#645531

#645530

## PLASTIC AN CAPS & PLUGS

Use these convenient caps and plugs to prevent leaks after disassembly. For temporary use only, remove before vehicle operation. Packaged in quantities of 10.

DESCRIPTION	QTY.	PART #	DESCRIPTION	QTY.	PART #
-3 Plastic AN Cap	10	645500	-3 Plastic AN Plug	10	645501
-4 Plastic AN Cap	10	645510	-4 Plastic AN Plug	10	645511
-6 Plastic AN Cap	10	645520	-6 Plastic AN Plug	10	645521
-8 Plastic AN Cap	10	645530	-8 Plastic AN Plug	10	645531
-10 Plastic AN Cap	10	645540	-10 Plastic AN Plug	10	645541
-12 Plastic AN Cap	10	645550	-12 Plastic AN Plug	10	645551

#640990

**NEW!**



## COPPER CRUSH WASHERS

DESCRIPTION	QTY.	PART #
For use with 5/8-18 male fitting	2	640990

For use with Edelbrock Billet Fuel Pumps.

# STREET LEGAL BRAKE & CLUTCH HOSE KITS



## PRE-ASSEMBLED, DIRECT BOLT-ON BRAKE HOSE KITS

Direct bolt-on Brake Hoses bring the ultimate in braking performance. They improve your braking performance for competition or every-day driving.

Replacing the OE rubber hoses with Russell brake hoses reduces brake hose expansion for more consistent braking. Featuring stainless steel braided hose with zinc-plated fittings, these brake hoses are factory assembled for convenient installation. They meet the guidelines of the U.S. Dept. of Transportation MVSS-571.106 requirements. All Russell brake hoses kits are for stock applications unless noted otherwise.



### DOMESTIC CARS

YEAR	MODEL	BRAKE HOSE PART #	FRONT	REAR	HOSES/ KIT	CLUTCH HOSE KIT	SPEED BLEEDERS	
							FRONT	REAR
<b>BUICK</b>								
67-68	Skylark, GS, GSX (with 69-72 Front Disc Swap)	692330	Disc	Drum	3	-	639590	639530
97-04	Regal FWD	692220	Disc	Disc	4	-	639580	639580
94-96	Roadmaster	692120	Disc	Disc	5	-	639580	639630
<b>CHEVROLET</b>								
67-68	Camaro	692070	Drum	Drum	3	-	639530	639530
67-68	Camaro (with 69-72 Front Disc Swap)	692330	Disc	Drum	3	-	-	-
69-76	Camaro (Except 1969 Z/28)	692080	Disc	Drum	3	-	639530	639530
69	Camaro Z/28	692090	Disc	Disc	3	-	639530	639530
77-81	Camaro	692030	Disc	Drum	3	-	639580	639530
82-83	Camaro	692040	Disc	Disc or Drum	3	-	639580	-
84-88	Camaro	692050	Disc	Drum	3	-	639580	-
84-88	Camaro	692360	Disc	Disc	4	-	639580	-
89-92	Camaro	692050	Disc	Drum	3	-	639580	-
89-92	Camaro	692370	Disc	Disc	5	-	639580	639560
93-97	Camaro	692240	Disc	Drum	3	-	639580	639520
93-97	Camaro (without Traction Control)	692260	Disc	Disc	5	-	639580	639560
98-02	Camaro (without Traction Control)	692280	Disc	Disc	5	-	639630	639630
98-02	Camaro (with Traction Control)	692290	Disc	Disc	6	-	639630	639630
94-96	Caprice	692120	Disc	Disc	5	-	639580	639630
95-04	Cavalier	692300	Disc	Drum	4	-	639580	639520
66-67	Chevelle, Malibu, El Camino	692070	Drum	Drum	3	-	639590	639530
67-68	Chevelle (with 69-72 Front Disc Swap)	692330	Disc	Drum	3	-	639590	639530
69-72	Chevelle	692080	Disc	Drum	3	-	639590	639530
05-06	Cobalt	692340	Disc	Drum	4	-	639560	639520
63-82	Corvette	692000	Disc	Disc	4	-	639530	639530
84-87	Corvette	692010	Disc	Disc	4	-	639630	639630
88-92	Corvette (Including 1990-92 ZR-1)	692020	Disc	Disc	4	-	639630	639630
94-96	Corvette (Including 1994-95 ZR-1)	692180	Disc	Disc	4	-	639630	639630
97-04	Corvette C5 (Including Z06)	692190	Disc	Disc	4	-	639630	639630
05-06	Corvette C6	692350	Disc	Disc	4	-	639560	639560
06-07	Corvette Z06	692200	Disc	Disc	4	-	639560	639560
94-96	Impala SS	692120	Disc	Disc	5	-	639580	639630
00-05	Impala FWD	692220	Disc	Disc	4	-	639580	639580
70-72	Monte Carlo	692080	Disc	Drum	3	-	639590	639530
79-88	Monte Carlo	692100	Disc	Drum	3	-	639580	639520
00-05	Monte Carlo FWD	692220	Disc	Disc	4	-	639580	639580
69-72	Nova	692080	Disc	Drum	3	-	639590	639530
<b>CHRYSLER</b>								
01-06	PT Cruiser (with ABS 4-Wheel Disc)	694010	Disc	Disc	4	-	639630	639560
01-06	PT Cruiser (Rear Drum)	694020	Disc	Drum	4	-	639630	639560
02-06	PT Cruiser GT Turbo	694010	Disc	Disc	4	-	639630	639560
<b>DODGE</b>								
67	Challenger	694030	Disc	Drum	3	-	-	-
68-69	Challenger	694000	Disc	Drum	3	-	639530	639530

Listings in red are new!



# STREET LEGAL BRAKE & CLUTCH HOSE KITS

## DOMESTIC CARS (CONTINUED)

YEAR	MODEL	BRAKE HOSE PART #	FRONT	REAR	HOSES/ KIT	CLUTCH HOSE KIT	SPEED BLEEDERS FRONT	REAR
<b>DODGE (CONTINUED)</b>								
67-69	Challenger	694030	Drum	Drum	3	-	-	-
70-72	Challenger	694050	Disc	Drum	3	-	639590	639530
67	Charger	694030	Disc	Drum	3	-	-	-
68-69	Charger	694000	Disc	Drum	3	-	639530	639530
67-69	Charger	694030	Drum	Drum	3	-	-	-
70-72	Charger	694050	Disc	Drum	3	-	639590	639530
06-07	Charger	694060	Disc	Disc	4	-	-	-
95-99	Neon (Rear Drum)	694300	Disc	Drum	4	-	639590	639530
95-99	Neon (Rear Disc)	694330	Disc	Disc	4	-	639540	639590
00-05	Neon	694320	Disc	Drum	4	-	-	-
03-05	Neon SRT-4	694310	Disc	Disc	4	-	-	-
91-95	Stealth 2WD	686000	Disc	Disc	4	-	639630	639630
<b>EAGLE</b>								
90-94	Talon 2WD	686000	Disc	Disc	4	-	639630	639560
<b>FORD</b>								
00-06	Focus	693250	Disc	Drum	4	-	639620	639560
02-04	Focus SVT	693370	Disc	Disc	6	-	639520	639570
65-67	Mustang	693050	Disc	Drum	3	-	639540	639540
68-70	Mustang (Fronts Only)	693150	Disc	N/A	2	-	639600	639540
71-73	Mustang	693080	Disc	Drum	3	-	639600	639590
74-78	Mustang	693090	Disc	Drum	3	-	639590	639540
79-86	Mustang	693000	Disc	Drum	3	-	639590	639540
87-93	Mustang	693010	Disc	Drum	3	-	639590	639540
94-95	Mustang Cobra - Complete 5-Line Kit	693350	Disc	Disc	5	-	639630	639630
94-95	Mustang GT - Complete 5-Line Kit	693040	Disc	Disc	5	-	639590	639630
96-98	Mustang Cobra	693400	Disc	Disc	4	-	639560	639560
96-98	Mustang GT	693190	Disc	Disc	4	-	639590	639630
99-04	Mustang with Traction Control (Except Cobra)	693210	Disc	Disc	4	-	639560	639630
99-04	Mustang Cobra (with IRS)	693270	Disc	Disc	4	-	639560	639630
99-04	Mustang w/o Traction Control	693290	Disc	Disc	4	-	639560	639630
05-07	Mustang (with ABS)	693380	Disc	Disc	4	-	639560	639560
89-95	Taurus sedan and wagon	693110	Disc	Disc	4	-	639630	639630
89-95	Taurus SHO	693110	Disc	Disc	4	-	639630	639630
<b>MERCURY</b>								
67	Cougar	693060	Drum	Drum	3	-	639540	639540
<b>OLDSMOBILE</b>								
67-68	Cutlass, 442 (with 69-72 Front Disc Swap)	692330	Disc	Drum	3	-	-	-
98-02	Intrigue FWD	692220	Disc	Disc	4	-	639580	639580
<b>PLYMOUTH</b>								
67-68	Barracuda	694000	Disc or 9" Drum	Drum	3	-	639540	639530
69	Barracuda	694000	Disc or 9" Drum	Drum	3	-	639590	639530
67-69	Barracuda	694030	10" Drum	Drum	3	-	-	-
70-72	Barracuda	694050	Disc	Drum	3	-	639590	639530
90-94	Laser 2WD	686000	Disc	Disc	4	-	639630	639560
95-99	Neon (Rear Drum)	694300	Disc	Drum	4	-	639590	639530
95-99	Neon (Rear Disc)	694330	Disc	Disc	4	-	639540	639590
67 & 69	Road Runner	694030	Disc	Drum	3	-	-	-
68	Road Runner	694000	Disc	Drum	3	-	639530	639530
67-69	Road Runner	694030	Drum	Drum	3	-	-	-
70-72	Road Runner	694050	Disc	Drum	3	-	639590	639530
<b>PONTIAC</b>								
67-68	Firebird	692070	Drum	Drum	3	-	639590	639530
67-68	Firebird (with 69-72 Front Disc Swap)	692330	Disc	Drum	3	-	-	-
69-76	Firebird/Trans Am	692080	Disc	Drum	3	-	639590	639530
77-78	Firebird/Trans Am	692030	Disc	Drum	3	-	639590	639530
79-81	Firebird/Trans Am	692030	Disc	Drum	3	-	639580	639520

PROCLASSIC HOSE  
 HOSE & HOSE ENDS  
 ADAPTER FITTINGS  
 QWIK RELEASE  
 FUEL MANAGEMENT  
 ACCESSORIES  
 BRAKE HOSES  
 DEALER  
 INDEX

## STREET LEGAL BRAKE &amp; CLUTCH HOSE KITS

## DOMESTIC CARS (CONTINUED)

YEAR	MODEL	BRAKE HOSE PART #	FRONT	REAR	HOSES/ KIT	CLUTCH HOSE KIT	SPEED BLEEDERS FRONT	REAR
<b>PONTIAC (CONTINUED)</b>								
79-81	Firebird/Trans Am	692030	Disc	Disc	3	—	639580	639580
82-83	Firebird/Trans Am	692040	Disc	Drum	3	—	639580	639520
84-88	Firebird/Trans Am	692050	Disc	Drum	3	—	639580	639520
84-88	Firebird/Trans Am	692360	Disc	Disc	4	—	—	—
89-92	Firebird/Trans Am	692050	Disc	Drum	3	—	639580	—
89-92	Firebird/Trans Am	692370	Disc	Disc	5	—	639580	639560
93-97	Firebird/Trans Am	692240	Disc	Drum	3	—	639580	639520
93-97	Firebird (without Traction Control)	692260	Disc	Disc	5	—	639580	639580
98-02	Firebird (without Traction Control)	692280	Disc	Disc	5	—	639630	639630
98-02	Firebird (with Traction Control)	692290	Disc	Disc	6	—	639630	639630
79-81	Grand Am	692100	Disc	Drum	3	—	—	—
79-87	Grand Prix	692100	Disc	Drum	3	—	639580	639520
97-03	Grand Prix FWD	692220	Disc	Disc	4	—	639580	639580
66-67	GTO, LeMans, Tempest	692070	Drum	Drum	3	—	639530	639530
67-68	GTO (with 69-72 Front Disc Swap)	692330	Disc	Drum	3	—	—	—
69-72	GTO	692080	Disc	Drum	3	—	639590	639530
05-06	GTO	692320	Disc	Disc	6	—	639560	639560
95-04	Sunfire FWD	692300	Disc	Drum	4	—	639580	639520

## IMPORT CARS

<b>ACURA</b>								
90-93	Integra RS, LS, GS and GSR	684800	Disc	Disc	4	—	639610	639610
94-97	Integra LS and GSR	684850	Disc	Disc	4	684730	639610	639520
98-01	Integra LS and GSR	684850	Disc	Disc	4	684730	639610	639510
97-01	Integra Type R	684860	Disc	Disc	4	684730	639610	639520
99-06	TL/CL 3.2L (Including Type S)	684690	Disc	Disc	4	—	639560	639610
03-06	TSX	684900	Disc	Disc	4	—	639610	639610
02-06	RSX Coupe Type S	684890	Disc	Disc	4	—	639610	639610
<b>HONDA</b>								
92-97	Accord (Rear Drum)	684650	Disc	Drum	4	—	639560	639520
92-97	Accord (Rear Disc)	684670	Disc	Disc	6	—	639560	639610
98-02	Accord 4 cyl.	684680	Disc	Drum	4	—	639560	—
98-02	Accord	684690	Disc	Disc	4	—	639560	639610
88-91	Civic, CRX (Rear Disc)	684500	Disc	Disc	4	—	639560	—
88-91	Civic EX, Si, CRX Si	684550	Disc	Disc	4	—	639560	—
92-95	Civic (All with rear discs, no ABS)	684600	Disc	Disc	4	—	639610	—
92-95	Civic (All with rear drums)	684480	Disc	Drum	4	—	639610	—
96-00	Civic CX, DX, HX (with small front rotor)	684610	Disc	Disc	4	684710	639560	639610
96-00	Civic LX, EX (with large front rotor)	684620	Disc	Disc	4	684710	639560	639610
99-02	Civic Coupe Si	684510	Disc	Disc	4	684720	639560	639610
01-05	Civic EX, LX, DX (with rear drums)	684630	Disc	Drum	4	—	639560	639520
03-05	Civic Hatchback Si	684890	Disc	Disc	4	—	639610	639610
06	Civic Si	684470	Disc	Disc	4	684740	639610	639610
92-96	Prelude	684450	Disc	Disc	4	—	639520	639620
97-01	Prelude Base Model	684640	Disc	Disc	4	—	639520	639620
97-01	Prelude SH Model	684660	Disc	Disc	4	—	639520	639620
00-06	S2000	684490	Disc	Disc	4	—	639610	639610
<b>INFINITI</b>								
03-06	G35 Coupe and Sedan (with standard disc brakes)	686910	Disc	Disc	4	—	639560	639570
03-06	G35 Coupe and Sedan (with Brembo brakes)	686920	Disc	Disc	4	—	639630	639630
<b>LEXUS</b>								
01-05	IS300	688400	Disc	Disc	4	—	639570	639570
<b>MAZDA</b>								
90-97	Miata MX-5	685500	Disc	Disc	4	—	639550	—
81-85	RX-7 (Rear Disc)	685550	Disc	Disc	4	—	639570	639570
86-92	RX-7	685600	Disc	Disc	4	—	639570	639570

# STREET LEGAL BRAKE & CLUTCH HOSE KITS

## IMPORT CARS (CONTINUED)

YEAR	MODEL	BRAKE HOSE PART #	FRONT	REAR	HOSES/ KIT	CLUTCH HOSE KIT	SPEED BLEEDERS FRONT	SPEED BLEEDERS REAR
<b>MAZDA (CONTINUED)</b>								
93-95	RX-7	685650	Disc	Disc	4	—	639550	639570
02-03	Mazdaspeed Protégé	685660	Disc	Disc	4	—	639570	639570
04-06	RX8	685670	Disc	Disc	4	685680	639550	639560
<b>MINI COOPER</b>								
03-06	Mini Cooper and Cooper S	684150	Disc	Disc	4	—	—	—
<b>MITSUBISHI</b>								
91-99	3000 GT 2WD	686000	Disc	Disc	4	—	639630	639630
90-94	Eclipse 2WD	686000	Disc	Disc	4	—	639630	639630
95-99	Eclipse 2WD and AWD (with rear drums)	686100	Disc	Drum	4	—	639570	—
95-99	Eclipse 2WD & All Wheel Drive	686150	Disc	Disc	4	—	639570	639570
00-05	Eclipse 2WD	686200	Disc	Disc	4	—	639570	639570
03-06	Lancer Evolution	686110	Disc	Disc	4	686120	—	—
<b>NISSAN</b>								
89-94	240SX	686850	Disc	Disc	4	—	639560	639560
95-98	240SX	686900	Disc	Disc	4	—	639560	639560
70-73	240Z	686550	Disc	Drum	4	—	639560	639570
74	260Z	686550	Disc	Drum	4	—	639560	639570
75-78	280Z	686550	Disc	Drum	4	—	639560	639570
79-83	280ZX	686600	Disc	Disc	4	—	639630	639630
90-96	300ZX	686700	Disc	Disc	4	—	639560	639560
03-05	350Z (with standard disc)	686910	Disc	Disc	4	—	639560	639570
03-06	350Z (with Brembo brakes)	686920	Disc	Disc	4	—	639630	639630
91-94	Sentra	686750	Disc	Disc or Drum	4	—	639560	639560
02-06	Sentra SE-R (Including Spec V)	686810	Disc	Disc	4	—	639560	639560
<b>SUBARU</b>								
02-05	Impreza 2.5 RS and WRX	689700	Disc	Disc	4	—	639570	639570
04-06	Impreza WRX STI	689710	Disc	Disc	4	—	—	—
<b>TOYOTA</b>								
00-05	Celica GTS	688360	Disc	Disc	4	—	639570	639570
88-91	Corolla GTS	688250	Disc	Disc or Drum	4	—	639570	639570
85-89	MR2	688000	Disc	Disc	4	—	639570	639570
91-95	MR2	688050	Disc	Disc	4	—	639570	639570
86-92	Supra	688140	Disc	Disc or Drum	6	—	639570	639570
93-97	Supra	688200	Disc	Disc or Drum	4	—	639570	639570
<b>VOLKSWAGEN</b>								
85-93	Cabriolet	688550	Disc	Drum	4	—	639570	639570
85-93	Golf/Jetta	688600†	Disc	—	4	—	639570	639570
85-93	GTI	688600†	Disc	—	4	—	639570	639570
96-99	Golf/Jetta GTI (with VR6)	688620†	Disc	Disc	6	—	639560	639560
74-84	Rabbit (U.S. built)	688550	Disc	Drum	4	—	639570	639570
81-84	Scirocco	688550	Disc	Drum	4	—	639570	639570
<b>TRUCKS &amp; SUVs</b>								
<b>GM</b>								
85-02	Astro/Safari 2WD	672320	Disc	Drum	3	—	639580	639520
04-06	Colorado/Canyon 4WD	695580	Disc	Drum	3	—	639580	639520
73-78	C-10/C-20 P/U, Blazer, Suburban 2WD	672300	Disc	Drum	3	—	639590	639530
79-87	C-10/C-20 P/U 2WD	672310	Disc	Drum	3	—	639580	639520
79-91	C-10/C-20 Blazer, Jimmy, Suburban 2WD	672310	Disc	Drum	3	—	639580	639520
88-00	C1500/C2500 P/U 2WD	672340	Disc	Drum	3	—	639580	639520
92-94	C1500 Blazer/Yukon 2WD	672400	Disc	Drum	3	—	639580	639520
95-99	C1500 Tahoe/Yukon 2WD	672340	Disc	Drum	3	—	639580	639520
99-06	1500 Truck 2WD	672470	Disc	Disc	5	—	639580	639560
05-06	1500 Truck 2WD	672480	Disc	Drum	3	—	639580	TBD
73	K-10/K-20 P/U, Suburban 4WD	672410	Disc	Drum	3	—	639590	639590
74-77	K-10/K-20 P/U, Suburban 4WD	672410	Disc	Drum	3	—	639590	639530

†Available while supplies last.

PROCLASSIC HOSE

HOSE & HOSE ENDS

ADAPTER FITTINGS

QUICK RELEASE

FUEL MANAGEMENT

ACCESSORIES

BRAKE HOSES

DEALER

INDEX

# STREET LEGAL BRAKE & CLUTCH HOSE KITS

## TRUCKS & SUVS (CONTINUED)

YEAR	MODEL	BRAKE HOSE PART #	FRONT	REAR	HOSES/ KIT	CLUTCH HOSE KIT	SPEED BLEEDERS	
							FRONT	REAR
<b>GM (CONTINUED)</b>								
78	K-10/K-20 P/U, Suburban 4WD	672410	Disc	Drum	3	-	639580	639520
07	Suburban, Tahoe, Yukon, Yukon XL 2WD/4WD	672500	Disc	Disc	6	-	-	-
79-87	K-10/K-20 P/U 4WD	672420	Disc	Drum	3	-	639580	639520
79-91	K-10/K-20 Blazer, Jimmy, Suburban 4WD	672420	Disc	Drum	3	-	639580	639520
88-00	K1500 P/U	672370	Disc	Drum	3	-	639580	639520
88-96	K2500 P/U (7200GVW)	672370	Disc	Drum	3	-	639580	639520
92-94	K1500 Blazer/Yukon	672400	Disc	Drum	3	-	639580	639520
95-99	K1500 Tahoe/Yukon (Non-Diesel)	672400	Disc	Drum	3	-	639580	639520
92-99	K1500 Suburban (Non-Diesel)	672370	Disc	Drum	3	-	639580	639520
99-04	Silverado/Sierra 1500 Truck 4WD	672430	Disc	Disc	5	-	639580	639560
99-05	Silverado/Sierra 1500 2WD	672470	Disc	Disc	5	-	-	-
04-05	Silverado 1500 SS	672430	Disc	Disc	5	-	639580	639560
99-06	Silverado/Sierra 1500 2WD	672470	Disc	Disc	5	-	639580	639560
05-06	Silverado/Sierra 1500 2WD	672480	Disc	Drum	3	-	639580	TBD
05-06	Silverado/Sierra 1500 4WD (including 06 SS)	672490	Disc	Drum	3	-	639580	TBD
07	Suburban 1500 2WD	672500	Disc	Disc	6	-	-	-
01-06	Silverado/Sierra HD (All)	672440	Disc	Disc	5	-	639580	639560
82-91	S-10 P/U-Blazer 4WD (Early 91)	672380	Disc	Drum	3	-	639580	639520
91-99	S-10 P/U-Blazer 4WD (Late 91)	672390	Disc	Drum	3	-	639580	639520
00-06	Suburban, Tahoe, Yukon 1500 2WD/4WD	672450	Disc	Disc	5	-	639580	639560
<b>GM LIFTED</b>								
73	K-10/K-20 P/U-Blazer, Suburban with 4" lift	695730	Disc	Drum	3	-	639590	639590
74-77	K-10/K-20 P/U-Blazer, Suburban with 4" lift	695730	Disc	Drum	3	-	639590	639530
78	K-10/K-20 P/U-Blazer, Suburban with 4" lift	695730	Disc	Drum	3	-	639580	639520
79-87	K-10/K-20 P/U-Blazer, Suburban with 4" lift	695710	Disc	Drum	3	-	639580	639520
79-91	K-10/K-20 P/U Blazer, Jimmy Suburban w/ 4" lift	695710	Disc	Drum	3	-	639580	639520
88-00	K1500 P/U w/4" lift	695700	Disc	Drum	3	-	639580	639520
88-96	K2500 P/U (7200GVW) w/ 4" lift	695700	Disc	Drum	3	-	639580	639520
92-99	K1500 Suburban (Non-Diesel) w/ 4" lift	695700	Disc	Drum	3	-	639580	639520
92-96	K2500 Suburban (7200GVW) w/ 4" lift	695700	Disc	Drum	3	-	639580	639520
99-06	Silverado/Sierra 1500 2WD with 6"-7" lift	695760	Disc	Drum	5	-	639580	639560
05-06	Silverado/Sierra 1500 2WD with 6"-7" lift	695780	Disc	Drum	3	-	639580	-
01-06	Silverado/Sierra HD (All) (Also fits Rancho)	695770	Disc	Disc	5	-	639580	639560
05-06	Silverado/Sierra 1500 4WD with 6"-7" lift (Also fits Rancho 4")	695780	Disc	Drum	3	-	639580	639560
00-06	Suburban, Tahoe, Yukon 1500 2WD/4WD with 6" lift (Also fits Rancho)	695560	Disc	Disc	5	-	639580	639560
<b>DODGE</b>								
94-99	Ram 1500, 2500 2WD	694500	Disc	Drum	3	-	639580	639520
94-99	Ram 1500, 2500 4WD (with rear ABS only)	694540	Disc	Drum	3	-	639580	639520
02-05	Ram 1500 4WD	694510	Disc	Disc	3	-	639590	639590
03-05	Ram 2500, 3500 4WD	694510	Disc	Disc	3	-	639590	639590
03-06	Ram 2500, 3500 2WD	694590	Disc	Disc	3	-	639560	639560
06	Ram 1500 2WD (with F&R ABS)	694530	Disc	Disc	3	-	639560	639560
<b>DODGE LIFTED</b>								
00-01	Ram 1500, 2500 2WD with 3" lift	694570	Disc	Drum	3	-	639580	639520
94-99	Ram 1500, 2500 4WD 4"-6" lift	694550	Disc	Drum	3	-	639580	639520
02-06	Ram 1500 4WD 4"-6" lift	694580	Disc	Disc	3	-	639590	639590
<b>FORD</b>								
92-96	F-150 2/4WD	693220	Disc	Drum	3	-	639510	639590
97-03	F-150/F-250 2WD (Except Super Duty)	693310	Disc	Drum	3	-	639590	639590
99-03	Lightning	693230	Disc	Disc	3	-	639590	639590
04	F-150 4x4 (Includes Fronts and Rear Center only, built prior to 11/29/04)	693360	Disc	Disc	3	-	639560	-

Listings in red are new!



# STREET LEGAL BRAKE & CLUTCH HOSE KITS

## TRUCKS & SUVs (CONTINUED)

YEAR	MODEL	BRAKE HOSE PART #	FRONT	REAR	HOSES/KIT	CLUTCH HOSE KIT	SPEED BLEEDERS FRONT	SPEED BLEEDERS REAR
<b>FORD LIFTED</b>								
90-96	Bronco 4WD with 4" lift	696140	Disc	Drum	3	-	639510	639590
99-06	Excursion 4WD with 4"-5.5" lift	696490	Disc	Disc	5	-	639560	639560
99-06	Excursion 4WD with 6"-8" lift	696500	Disc	Disc	5	-	639560	639560
80-89	F-100/150 with 4" lift	696150	Disc	Drum	3	-	639510	639590
04	F-150 4WD with 6" lift	696460	Disc	Disc or Drum	3	-	639560	-
05-06	F-150 4WD with 6" lift (Built after 11/29/04)	696470	Disc	Disc or Drum	3	-	-	-
05-06	F-150 4x4 (Includes fronts and rear center only, built after 11/29/04)	693390	Disc	Disc or Drum	3	-	-	-
99-04	F-250/350 Super Duty 4WD with 4-5.5" lift	696490	Disc	Disc	5	-	639560	639560
99-04	F-250/350 Super Duty 4WD with 6-8" lift	696500	Disc	Disc	5	-	639560	639560
05-06	F-250/350 Super Duty 4WD with 6" Lift	696510	Disc	Disc	5	-	639590	639590
<b>HUMMER</b>								
03-06	Hummer H2 (Including SUT)	689790	Disc	Disc	6	-	639580	639580
06	Hummer H3	689780	Disc	Disc	6	-	639560	639560
<b>HUMMER LIFTED</b>								
03-06	Hummer H2 (Including SUT) with 6" Lift	689800	Disc	Disc	6	-	639580	639580
<b>JEEP</b>								
77-81	CJ5/CJ7 Stock Height to 1" Lift	694890	Disc	Drum	3	-	639590	639590
82-86	CJ5, CJ7, CJ8 Stock Height to 1" Lift	694900	Disc	Drum	3	-	639590	639590
<b>JEEP LIFTED</b>								
77-78	CJ5/CJ7 with 4" lift	695910	Disc	Drum	3	-	639590	639540
79-81	CJ5/CJ7 with 4" lift	695910	Disc	Drum	3	-	639590	639590
82-86	CJ5/CJ7/CJ8 with 4" lift	695900	Disc	Drum	3	-	639590	639590
79-88	J10 & J20 Pickup with 4" lift	695920	Disc	Drum	3	-	639590	639530
79-83	Wagoneer & Cherokee (Incl. Wide Track) w/ 4" lift	695920	Disc	Drum	3	-	639590	639530
84-91	Grand Wagoneer with 4" lift	695920	Disc	Drum	3	-	639590	639530
87-95	Wrangler (YJ) with 4" lift	695940	Disc	Drum	3	-	639590	639530
97-06	Wrangler (TJ) with 4" to 6" lift (Includes Unlimited & Rubicon Models)	695950	Disc	Disc or Drum	3	-	639590	639590
<b>NISSAN</b>								
98-04	Frontier (2WD Desert Runner and 4WD)	686990	Disc	Drum	3	-	639560	639570
04-06	Titan (4WD) (With Traction Control)	686970	Disc	Disc	6	-	639630	639630
00-04	Xterra (2WD and 4WD)	686990	Disc	Drum	3	-	639560	639570
<b>TOYOTA</b>								
95-04	Tacoma 2WD (Except Pre-Runner)	688370	Disc	Drum	3	-	639570	-
95-04	Tacoma 4WD	688390	Disc	Drum	3	-	639560	-
98-04	Tacoma 2WD Pre-Runner	688390	Disc	Drum	3	-	639560	-
00-06	Tundra	688480	Disc	Drum	3	-	639560	-
05-06	Tacoma 2WD & 4WD Pre-Runner w/ 4 channels ABS	688380	Disc	Drum	4	-	-	-
07	FJ Cruiser 2WD & 4WD	688460	Disc	Drum	3	-	639570	-
07	Tundra 4WD	688490	Disc	Disc	6	-	-	-
<b>TOYOTA LIFTED</b>								
79-95	Pick Up 4X4 with 4" lift	695500	Disc	Drum	3	-	639560	639560
95-04	Tacoma 4WD with 6" lift	695550	Disc	Drum	3	-	639560	-
98-04	Tacoma 2WD Pre-Runner with 6" lift	695550	Disc	Drum	3	-	639560	-

### MATCHING PRODUCT

#### SPEED BLEEDERS

Bleeding your brake or clutch line is now a simple, one-person task. Replace your original bleeder valve with the double-patented Russell Speed Bleeders found on pages 60-63.



PROCLASSIC HOSE  
HOSE & HOSE ENDS  
ADAPTER FITTINGS  
QUICK RELEASE  
FUEL MANAGEMENT  
ACCESSORIES  
BRAKE HOSES  
DEALER  
INDEX



# UNIVERSAL BRAKE HOSE ASSEMBLIES

**Street Legal™**



Russell Universal Black Brake Hose installed on Edelbrock's '32 Ford Highboy Roadster



## BLACK UNIVERSAL HOSE

### STRAIGHT -3 TO STRAIGHT -3

LENGTH	PART #
9"	656013
12"	656023
15"	656033
16"	656243

### 10MM BANJO / 3/8" TO STRAIGHT -3

LENGTH	PART #
9"	657013
12"	657023
15"	657033
16"	657243

### 90° -3 TO STRAIGHT-3

LENGTH	PART #
9"	655013
12"	655023
15"	655033
16"	655243

### 45° -3 TO STRAIGHT-3

LENGTH	PART #
9"	654013
12"	654023
15"	654033
16"	654243

## PRE-ASSEMBLED HOSE ASSEMBLIES

### -3 UNIVERSAL PREASSEMBLED HOSE ASSEMBLY

Universal hose assemblies are constructed from PowerFlex Stainless Steel Braided Hose and Hose Ends that are plated with Russell's ultra-bright Endura or black finish. Ends are factory precision crimped to eliminate leakage. Hose assemblies are street legal as they meet with the guidelines of D.O.T. MVSS-571.106 requirements.

- Teflon® inner liner and stainless steel braid eliminates hose expansion common to original lines
- Unique Endura finish is corrosion resistant for long life
- Better braking performance and a firmer pedal feel
- Street legal in all 50 states
- Virtually any hydraulic brake or clutch system may be fitted
- Available in Endura or Black finish

## ENDURA UNIVERSAL HOSE

### 10MM BANJO (3/8") TO STRAIGHT -3

LENGTH	PART #
9"	657012
12"	657022
13"	657302
15"	657032
16"	657242
18"	657042
20"	657222
21"	657052
24"	657062
27"	657072

### 90° -3 TO STRAIGHT -3

LENGTH	PART #
9"	655012
12"	655022
13"	655302
15"	655032
16"	655242
18"	655042
20"	655222
21"	655052
24"	655062
27"	655072

### STRAIGHT -3 TO STRAIGHT -3

LENGTH	PART #	LENGTH	PART #
9"	656012	18"	656042
12"	656022	20"	656222
13"	656302	21"	656052
15"	656032	24"	656062
16"	656242	27"	656072



PROCLASSIC HOSE

HOSE & HOSE ENDS

ADAPTER FITTINGS

QUICK RELEASE

FUEL MANAGEMENT

ACCESSORIES

BRAKE HOSES

DEALER

INDEX

# COMPETITION BRAKE HOSE ASSEMBLIES

## COMPETITION BRAKE HOSES FOR PROFESSIONAL RACING APPLICATIONS

- Better braking performance and a firmer pedal feel
- Pre-assembled, ready for adapter fittings
- Stainless steel hose with zinc plated hose ends
- Choose from -3 or -4 brake hose from lengths of 9" up to 53"
- Wide selection of -3 Endura adapter fittings in metric and standard threads
- Non-D.O.T. hose for off-road use only



### STRAIGHT -4 TO STRAIGHT -4

LENGTH	PART #
14"	659000
16"	659010
18"	659020
20"	659030
22"	659040
24"	659050

### 10MM BANJO (3/8") TO STRAIGHT -3

LENGTH	PART #
9"	657010
12"	657020
15"	657030
18"	657040
21"	657050
24"	657060
27"	657070
30"	657080
33"	657090
36"	657100

### 90° -3 TO STRAIGHT -3

LENGTH	PART #
9"	655010
12"	655020
15"	655030
18"	655040
21"	655050
24"	655060
27"	655070
30"	655080
33"	655090
36"	655100

### STRAIGHT -3 TO STRAIGHT -3

LENGTH	PART #
9"	656010
12"	656020
15"	656030
18"	656040
21"	656050
24"	656060
27"	656070
30"	656080
33"	656090
36"	656100
39"	656110†
42"	656120
45"	656130
50"	656140†
53"	656150



NHRA racer Marty Bernard relies on Russell parts and plumbing for record-setting performance

## MATCHING PRODUCT

### PROPORTIONING VALVE

Reduce your brake line pressure to the rear wheels up to an adjustable 60% with the Russell Proportioning Valve on page 58.



# ARB HOSE KITS & FITTINGS

## ARB STAINLESS HOSE KITS & FITTINGS

- Replaces OEM plastic lines
- Won't pinch in tight bends
- Greater durability than plastic lines
- ARB Air Locker Fittings also sold separately (#634500)



DESCRIPTION	PART #
ARB fittings	634500
ARB hose - 5' length Kit (fittings included)	634510
ARB hose - 12' length Kit (fittings included)	634520

# METRIC BRAKE ADAPTER FITTINGS

PROCLASSIC HOSE

HOSE & HOSE ENDS

ADAPTER FITTINGS

QUICK RELEASE

FUEL MANAGEMENT

ACCESSORIES

BRAKE HOSES

DEALER

INDEX



## 10MM X 1.0 FEMALE

SIZE	QTY.	INVERTED FLARE PART #	BEVEL PART #
-3	2	641411	640411
-4	2	641421	640421

## 10MM X 1.0 MALE

SIZE	QTY.	INVERTED FLARE PART #	BEVEL PART #
-3	2	641431	640431
-4	2	641441†	640441

## 10MM X 1.25 FEMALE

SIZE	QTY.	INVERTED FLARE PART #	BEVEL PART #
-3	2	641471	-
-4	2	641481	-

## 10MM X 1.25 MALE

SIZE	QTY.	INVERTED FLARE PART #	BEVEL PART #
-3	2	641451†	640451
-4	2	641461†	640461

## TEE 10MM X 1.0 MALE INVERTED FLARE

SIZE	QTY.	PART #
-3	1	640510

## -3 AND -4 ENDURA BRAKE ADAPTER FITTINGS

### FOR USE WITH POWERFLEX UNIVERSAL HOSE ASSEMBLIES AND POWERFLEX HOSE

Endura plated steel AN brake adapters from Russell are best suited for operating conditions where additional corrosion protection is needed. The ultra-bright finish is very durable and looks great too.

- Looks like stainless steel for less money
- Choose from a wide selection of -3 and -4 fittings available in metric or SAE threads for most popular applications

# SAE BRAKE ADAPTER FITTINGS



## TEE 3/8" X 24 I.F. MALE

SIZE	QTY.	PART #
-3	1	640500

## 7/16" X 24 I.F. FEMALE

SIZE	QTY.	PART #
-3	1	641331

## 1/8" NPT PIPE MALE

SIZE	QTY.	PART #
-3	1	642441

## 1/8" NPT PIPE MALE 90°

SIZE	QTY.	PART #
-3	1	642791

## 1/8" NPT PIPE MALE 45°

SIZE	QTY.	PART #
-3	1	642931

## MALE TEE

SIZE	QTY.	PART #
-3	1	642981

## BULKHEAD TEE

SIZE	QTY.	PART #
-3	1	643301



†Available while supplies last.

# SAE BRAKE & CLUTCH ADAPTER FITTINGS

PROCLASSIC HOSE

HOSE & HOSE ENDS

ADAPTER FITTINGS

QWIK RELEASE

FUEL MANAGEMENT

ACCESSORIES

BRAKE HOSES

DEALER

INDEX

## BULKHEAD NUT

SIZE	QTY.	PART #
-3	2	643871



#643871

## 3/8" X 24 I.F. FEMALE

SIZE	QTY.	PART #
-3	2	641291
-4	2	640291



#640291

## 3/8" X 24 I.F. MALE

SIZE	QTY.	PART #
-3	2	643961
-4	2	640301



#640301

## 7/16" X 20 I.F. MALE

SIZE	QTY.	PART #
-3	2	641321
-4	2	640321



#640321

## 7/16" X 24 I.F. MALE

SIZE	QTY.	PART #
-3	2	641311
-4	2	640311



#641311

## 7/16" BOLT - GM

SIZE	QTY.	PART #
-3	1	640491



#640491

## 10MM (3/8") STRAIGHT

SIZE	QTY.	PART #
-3	1	640471
-4	1	640481



#640471

## 10MM (3/8") 35° BANJO

SIZE	QTY.	PART #
-3	1	640511



#640511

## 10MM (3/8") 90° BANJO

SIZE	QTY.	PART #
-3	1	640541



#640541

## UNIVERSAL CLUTCH FITTING MALE

SIZE	QTY.	PART #
-3	2	640281



#640281

## MUSTANG TO -3 FITTINGS

SIZE	QTY.	PART #
3/8" -24	1	640581
7/16" -24	1	640591



#640581

#640591

# POWERFLEX BRAKE HOSE

## POWERFLEX BRAKE HOSE HIGH PRESSURE HOSE FOR BRAKE LINES

PowerFlex stainless steel braided hose, specifically designed for high performance brake applications, features the combination of a Teflon® inner liner with the corrosion and abrasion resistance of stainless steel braid for maximum pressure use.

- Teflon® inner liner with a 308 stainless steel braid
- Use with PowerFlex hose ends
- Use with -3 and -4 Endura adapter fittings
- Available in a variety of pre-cut lengths



### POWERFLEX SPECIFICATIONS

SIZE	ACTUAL I.D.	MAX PSI
-3	1/8"	2500
-4	3/16"	2500

### POWERFLEX PRE-PACKAGED ROLLS

SIZE	3'	6'	10'	15'	20'	50'	100'
-3	632490	632500	632510	632520	632530	633930	633940
-4	632540	632550	632560	632570	632580	633960	633970

## HOSE ASSEMBLY TOOL

This handy tool separates the steel braid from the teflon inner liner making insertion of the olive easier.

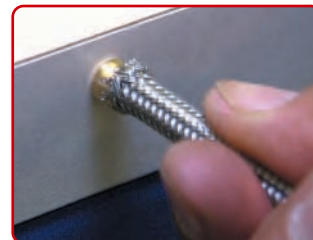
SIZE	PART #
-3 & -4	651970
-6 & -8	651971



## HOW TO ASSEMBLE POWERFLEX HOSE & HOSE ENDS



**Step One:** Wrap the hose tightly with electrical or racers tape. Hold the hose firmly in a vise without crushing and cut through the tape. Make sure you make a straight cut. Remove the tape slowly and deburr the Teflon® edges. Install the socket on the hose and slide it back out of the way.



**Step Two:** Insert the nipple portion of the PowerFlex hose end in a vise. Slip the hose over the nipple using a twisting motion to size the I.D. of the teflon. Separate the wire braid from the O.D. of the Teflon® tube with a small screwdriver. Be careful not to crush the Teflon.



**Step Three:** Push the olive sleeve around the Teflon® and between the braid. This can be done by pushing the olive sleeve against the side of your workbench or vise. Be sure the Teflon® liner is square to the bottom of the olive. With the nipple in the vise, lube the threads and the nipple portion of the hose end sparingly. Insert the hose over the nipple making sure the olive does not pop off the Teflon® tube.



**Step Four:** Start the socket onto the nipple by hand. Tighten with a wrench until the gap between the nipple and the socket is no more than 1/16". Clean the hose assembly and pressure test before using.

## POWERFLEX ENDURA BRAKE HOSE ENDS

### POWERFLEX ENDURA HOSE ENDS FOR USE WITH POWERFLEX BRAKE HOSE

Manufactured from high quality alloy steel providing the additional strength required to guarantee a quality, high pressure hose assembly.

#### STRAIGHT HOSE END

SIZE	PART #
-3	620131
-4	620141

#### 45° TUBE HOSE END

SIZE	PART #
-3	620431
-4	620451

#### 90° TUBE HOSE END

SIZE	PART #
-3	620441
-4	620461

#### 10MM (3/8") ID BANJO HOSE END

SIZE	PART #
-3	640641



Teflon is a registered trademark of Dupont Corporation.

Listings in red are new!



PROCLASSIC HOSE  
 HOSE & HOSE ENDS  
 ADAPTER FITTINGS  
 QUICK RELEASE  
 FUEL MANAGEMENT  
 ACCESSORIES  
 BRAKE HOSES  
 DEALER  
 INDEX

# BRAKE HOSE ACCESSORIES

PROCLASSIC HOSE

HOSE & HOSE ENDS

ADAPTER FITTINGS

QUICK RELEASE

FUEL MANAGEMENT

ACCESSORIES

BRAKE HOSES

DEALER

INDEX

#641490



## RUSSELL THRU THE FRAME FITTINGS

These fittings simplify the routing of brake hoses through the frame for a neater and safer installation when building street rods, pro-street and race car chassis. These fittings are sold in pairs and are available in 2" length with -3 AN on one end and 1/8" pipe on the other.

DESCRIPTION	PART #
Thru the Frame Fitting 2"	641490

## BRACKETS AND HARDWARE

DESCRIPTION	QTY.	PART #
E-clip	10	683940
Brake line retaining clip	10	683941
Bolt-on 90° mounting bracket	2-pc	683942
Weld-on brake hose bracket	2-pc	683943

**NEW!**



#683941

**NEW!**



#683942

**NEW!**



#683940

**NEW!**



#683943



## RUSSELL STAINLESS BRAKE LINE CLAMPS

These stainless steel brake line clamps offer a professional and secure method of attaching brake hard line to frame rail. Designed to work with 3/16" O.D. hard line.

## 3/16" BRAKE LINE CLAMPS

DESCRIPTION	QTY.	PART #
Stainless Steel Brake Line Clamps	12	654030



#654030

## BRAKE PROPORTIONING VALVE

- Manufactured from billet aluminum and anodized
- Adjustable up to a 60% pressure reduction
- Includes 3/8"- 24 inverted flare hard line adapter
- Utilizes anti-corrosive brass internal components

DESCRIPTION	PART #
Russell Brake Proportioning Valve	654000



#654000



Russell Brake Hose Kits combine function with beauty... perfect for any street machine or race car



#620135

## FERRULES

SIZE	PART #
-3	620135
-4	620145

## DOT 5 BRAKE FLUID

Russell's long life DOT 5 Silicone Brake Fluid complies with Federal Motor Vehicle Safety Standard #116. It will not boil at temperatures up to 500° F. Russell Silicone Brake Fluid will not absorb moisture and is recommended for street rods as it will not damage paint. Available in 12 oz. bottles. (Do Not Mix with Non-DOT 5).

DESCRIPTION	QTY.	PART #
Silicone Brake Fluid	Single Bottle	671441



Dot 5 brake fluid won't damage a vehicles paint making it ideal for street rods

# SPEED BLEEDERS®

## ONE PERSON SYSTEM TAKES THE WORK OUT OF BRAKE BLEEDING

Bleeding your brake or clutch line has never been easier or simpler! Revolutionary double-patented Speed Bleeder replaces the original bleeder valve in your caliper/wheel cylinder with a spring-loaded one-way ball and check valve design. This unique design opens to allow the old fluid and air out, then closes automatically between pumps to prevent the old fluid and air from re-entering the line. It's a real time saver!

### SPEED BLEEDER REFERENCE CHART

THREAD	OVERALL LENGTH	PART #
7/16 - 20	1.25"	639510
8mm x 1.25mm	24mm	639520
5/16 - 24	1"	639530
1/4 - 28	1"	639540
8mm x 1.0	34mm	639550
10mm x 1.0	35mm	639560
7mm x 1.0	34mm	639570
10mm x 1.5	30mm	639580
3/8 - 24	1"	639590
3/8 - 24 long	1.50"	639600
10mm x 1.25	33mm	639610
8mm x 1.25	39mm	639620
10mm x 1.0	33mm	639630

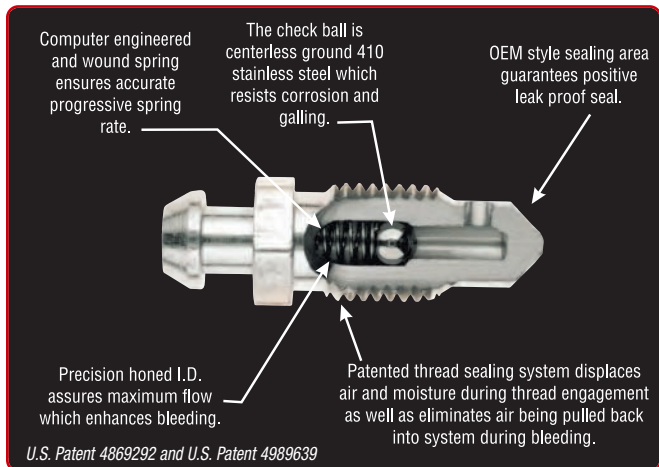
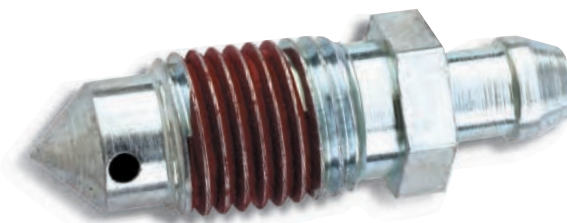


### SPEED BLEEDER BAG

Environmentally friendly Speed Bleeder Bag catches your old brake fluid for a no-spill, no-mess operation. This EPA-approved, user-friendly item includes plastic tubing and a 7" x 7" plastic bag with handy plastic tube connection that holds approximately 12 ounces.

### SPEED BLEEDER BAG

DESCRIPTION	PART #
Speed Bleeder Bag	639500



### EASY INSTALLATION

Position container to collect brake fluid. Remove your OEM bleeder screw and replace with the Speed Bleeder Screw.

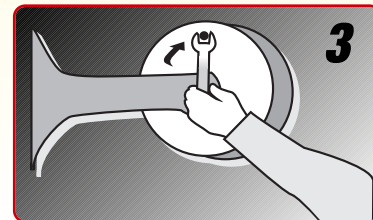
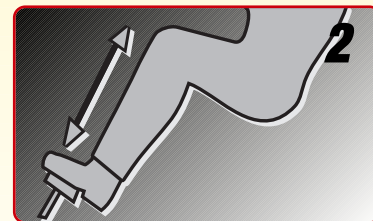
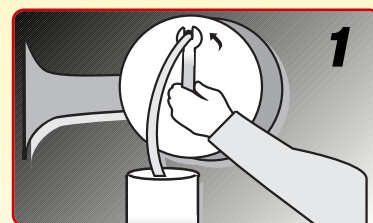
- Brake bleeding is now a one person task
- Sold two per package
- Available to fit virtually any hydraulic brake or clutch system
- Dust protection cap is standard with each bleeder screw
- Offered in metric and standard sizes
- Uses OEM style sealing area to guarantee a positive leak-proof seal
- Permanently replaces original bleeder screw
- Unique double-patent design ensures authenticity

### SPEED BLEEDER INSTRUCTIONS

**Step One:** Open Russell Speed Bleeder screw 1/4 to 1/2 turn. Attach hose to Speed Bleeder bag or catch can to collect brake fluid.

**Step Two:** Pump brakes until air is purged from wheel cylinder. No need to close the screw between pumps as with a stock brake bleeder screw.

**Step Three:** Close valve. Repeat previous steps for other wheels, adding brake fluid to master cylinder as needed to maintain level.







YEAR	MODEL	DISC		DRUM	
		FRONT	REAR	FRONT	REAR
<b>FORD</b>					
94-97	Aspire	639550	-	-	639550
95-00	Contour	639560	639560	-	639520
80-06	Crown Victoria	639590	-	-	639590
81-90	Escort	639590	-	-	639590
91-92	Escort	639550	639550	-	639550
93-97	Escort	639550	-	-	639550
82-89	EXP	639590	-	-	639590
77-80	Fiesta	639630	-	-	639630
00-04	Focus	639620	-	-	639560
02-04	Focus SVT	639520	639570	-	-
65-69	Galaxie	639590	-	-	639590
65-86	LTD	639590	-	-	639590
70-75	Maverick	639590	-	639540	639540
76-77	Maverick	639590	-	-	639590
65-67	Mustang	639540	-	639540	639540
68-70	Mustang	639600	-	639540	639540
71-73	Mustang	639600	-	639540	639590
74-93	Mustang	639590	639590	-	639540
94-98	Mustang	639590	639630	-	-
99-04	Mustang	639560	639630	-	-
05-06	Mustang (with ABS)	639560	639560	-	-
94-95	Mustang Cobra	639630	639630	-	-
96-98	Mustang Cobra	639560	639560	-	-
99-04	Mustang Cobra	639560	639630	-	-
71-80	Pinto	639590	-	-	639550
88-97	Probe	639570	639570	-	639550
86-06	Taurus	639630	639630	-	639630
84-97	Tempo	639590	-	-	639590
65-88	Thunderbird (Except Turbo)	639590	639590	639590	639590
87-88	Thunderbird Turbo Coupe	639590	639560	-	-
89-91	Thunderbird	639560	639560	-	639560
92-97	Thunderbird	639590	639560	-	639560
02-05	Thunderbird	639560	639560	-	-
<b>FORD TRUCK</b>					
86-89	Aerostar	639590	-	-	639530
93-96	Aerostar	639590	-	-	639590
67-79	Bronco (Full Size)	639590	-	639590	639590
80-96	Bronco (Full Size)	639510	-	-	639590
84-90	Bronco II	639510	-	-	639590
77-82	Courier	639570	-	-	-
64-79	Econoline Van 1/2-ton	639590	-	639590	639590
80-97	Econoline Van 1/2-ton	639510	-	-	639590
69-97	Econoline Van 3/4-ton	639590	-	-	639590
69-97	Econoline Van 1-ton	639590	-	-	639590
99-06	Excursion 4WD	639560	639560	-	-
91-97	Explorer	639590	-	-	639590
68-72	F-100 2WD	-	-	639590	639540
68-71	F-100 4WD	-	-	639590	639540
72	F-100 4WD	-	-	639530	639590
73-75	F-100 2WD/4WD	639590	-	639530	639540 639590
78-79	F-100	639590	-	-	639590
80-83	F-100 PU LT	639590	-	-	639540
84-96	F-150	639510	-	-	639590
97-03	F-150 2WD	639590	-	-	639590
04	F-150 4WD	639560	-	-	-
67-94	F-250	639510	-	-	639590
95-96	F-250	639590	-	-	639590
97-03	F-250 2WD (Exc. Super Duty)	639590	-	-	639590
99-04	F-250 4WD Super Duty	639560	639560	-	-
05-06	F-250 4WD Super Duty	639590	639590	-	-
68-94	F-350	639510	-	-	639590
95-97	F-350	639590	-	-	639590
99-04	F-350 4WD Super Duty	639560	639560	-	-

YEAR	MODEL	DISC		DRUM	
		FRONT	REAR	FRONT	REAR
05-06	F-350 4WD Super Duty	639590	639590	-	-
99-03	Lightning	639590	639590	-	-
82-88	Ranger	639510	-	-	639540 639590
89-96	Ranger	639590	-	-	639540 639590
95-97	Windstar	639560	639590	-	639590
<b>GEO</b>					
89-97	Metro	639560	-	-	639520
89-94	Metro Turbo	639560	-	-	639520
89-97	Prizm	639570	639570	-	-
89-97	Tracker	639560	-	-	639560
<b>GM TRUCK</b>					
85-98	Astro/Safari	639580	-	-	639520
71-72	Blazer/Jimmy	639590	-	-	639590
73-78	Blazer/Jimmy	639590	-	-	639530
79-91	Blazer/Jimmy Full-size	639580	-	-	639520
92-94	Blazer/Yukon Full-size	639580	-	-	639520
64-72	C-10/20 Pickup	639590	-	-	639590
73-78	C-10/20 Pickup	639590	-	-	639530
79-87	C-10/20 Pickup	639580	-	-	639520
88-00	C1500/2500 Pickup	639580	-	-	639520
04-06	Colorado/Canyon 4WD	639580	-	-	639520
65-69	El Camino	639530	-	-	639530
70-77	El Camino	639590	-	-	639530
78-88	El Camino	639580	-	-	639520
72-77	G-10 Van	639590	-	-	639530
78-97	G-10 Van	639580	-	-	639520
71-78	G-30 Van	639590	-	-	639590
64-73	K-10/20 Pickup	639590	-	-	639590
74-77	K-10/20 Pickup	639590	-	-	639530
78-87	K-10/20 Pickup	639580	-	-	639520
88-00	K1500/2500/3500 PU	639580	-	-	639520
82-99	S-Series PU/Blazer	639580	-	-	639520
99-06	Silverado/Sierra 1500	639580	639560	-	-
01-06	Silverado/Sierra HD	639580	639560	-	-
73-78	Suburban 2WD	639590	-	-	639530
79-99	Suburban 2WD	639580	-	-	639520
73	Suburban 4WD	639590	-	-	639590
74-77	Suburban 4WD	639590	-	-	639530
78-99	Suburban 4WD	639580	-	-	639520
00-06	Suburban 2/4WD	639580	639560	-	-
95-99	Tahoe/Yukon	639580	-	-	639520
00-06	Tahoe/Yukon	639580	639560	-	-
97-98	Venture	639580	-	-	639520
<b>HUMMER</b>					
03-06	H2 (incl. SUT)	639580	639580	-	-
06	H3	639560	639560	-	-
<b>JEEP</b>					
74-97	Cherokee 2WD/4 WD	639590	639590	-	639530
84-97	Grand Cherokee	639590	639590	-	639530
84-91	Grand Wagoneer	639590	-	-	639530
65-73	J10 & J20 Pickup	-	-	639590	639590
74-90	J10 & J20 Pickup	639590	-	639590	639530
67-71	CJ (all)	-	-	639540	639540
72-86	CJ (all)	639590	-	639590	639590
81-86	CJ (all)	639590	-	-	639590
74-83	Wagoneer	639590	-	-	639530
87-95	Wrangler YJ	639590	-	-	639530
97-06	Wrangler TJ	639590	639590	-	639590
<b>LINCOLN</b>					
65-90	Town Car	639590	639590	-	639590
91-94	Town Car	639590	639560	-	-
95-97	Town Car	639590	639590	-	-
65-90	Lincoln	639590	639590	-	639590
65-87	Continental	639590	639590	-	639590
88-99	Continental	639560	639590	-	-
77-80	Varsailles	639590	639590	-	-
68-89	Mark III-VIII	639590	639590	-	639590
93-97	Mark III-VIII	639560	639590	-	-
90-92	Mark III-VIII	639590	639560	-	-

# SPEED BLEEDERS®

YEAR	MODEL	DISC		DRUM	
		FRONT	REAR	FRONT	REAR
<b>MERCURY</b>					
71-77	Capri	639630	-	-	-
78-79	Capri	639590	-	-	639530
80-88	Capri	639590	-	-	639540
67-73	Cougar	639590	-	639540	639540
74-88	Cougar	639590	-	-	639590
89-91	Cougar	639560	639560	-	639540
92-97	Cougar	639590	639560	-	639560
65-97	Marquis	639590	639590	-	639590
96-97	Mountaineer	639590	639590	-	639590
95-97	Mystique	639560	639630	-	639520
86-05	Sable	639560	639560	-	639560
<b>OLDSMOBILE</b>					
71-78	88	-	-	-	639530
79-85	88	639580	-	-	639520
65-69	98	639590	-	639590	639590
70	98	639590	-	639590	639530
79-84	98	639580	-	-	639520
92-98	Achieva	639580	-	-	639520
95-03	Aurora	639580	639580	-	-
97-01	Bravada	639580	-	-	639520
02-04	Bravada	639560	639560	-	-
85-91	Calais	639580	-	-	639520
82-96	Ciera	639580	-	-	639520
79-90	Custom Cruiser	639580	-	-	639520
68-77	Cutlass	639590	-	-	639530
78-97	Cutlass	639580	639580	-	639520
79-97	Delta	639580	-	-	639520
98-02	Intrigue	639580	639580	-	-
90-04	Silhouette	639580	-	-	639520
<b>PLYMOUTH</b>					
89-95	Acclaim	639590	-	-	639530
67-68	Barracuda	-	-	639540	639530
69-74	Barracuda	639590	-	639530	639530
62-69	Belvedere	-	-	639530	639530
70-75	Belvedere	639590	-	639530	639530
96-97	Breeze	639590	639590	-	639530
83-88	Colt/Colt Turbo	639560	-	-	639560
89-91	Colt	639570	-	-	639570
92-94	Colt	639570	639570	-	639570
69-76	Duster	639590	-	639530	639530
78-90	Horizon	639590	-	-	639530
90-94	Laser	639630	-	-	639530
68-69	Road Runner	639530	-	639530	639530
70-75	Road Runner	639590	-	-	639530
69-76	Scamp	639590	-	639530	639530
82-83	Scamp	639590	-	-	639530
78-90	Turismo	639590	-	-	639530
65-68	Valiant	639590	-	639530	639530
69-76	Valiant	639590	-	-	639530
84-97	Voyager	639590	-	-	639530
<b>PONTIAC</b>					
82-91	6000	639580	-	-	639520
69-78	Bonneville	639590	-	-	639530
79-05	Bonneville	639580	639580	-	639520
69-78	Catalina	639580	-	-	639530
79-81	Catalina	639580	-	-	639520
84-88	Fiero	639580	639580	-	-
67-68	Firebird	639530	-	639530	639530
69-76	Firebird/TransAm	639530	639530	639530	639530
77-81	Firebird/TransAm	639580	639590	-	639530
82-88	Firebird/TransAm	639580	639580	-	639520
89-92	Firebird/TransAm	639580	639560	-	639520
93-97	Firebird/TransAm (without Traction Control)	639580	639560	-	639520
95-97	Firebird/TransAm (with Traction Control)	639580	639580	-	-
98-02	Firebird/TransAm	639630	639630	-	-
85-97	Grand Am	639580	-	-	639520
69-77	Grand Prix	639590	-	-	639530
78-03	Grand Prix	639580	639580	-	639520
64-68	GTO	-	-	639530	639530
69-77	GTO	639590	-	639530	639530
04-06	GTO	639560	639560	-	-
64-68	LeMans	-	-	639530	639530
69-77	LeMans	639590	-	-	639530

YEAR	MODEL	DISC		DRUM	
		FRONT	REAR	FRONT	REAR
78-81	LeMans	639580	-	-	639520
64-68	Tempest	-	-	639530	639530
69-77	Tempest	639590	-	-	639530
78-81	Tempest	639580	-	-	639520
83-86	Parisienne	639580	-	-	639520
78-79	Phoenix	639590	-	-	639520
80-84	Phoenix	639580	-	-	639520
69-78	Safari Wagon	639590	-	-	639530
79-89	Safari Wagon	639580	-	-	639520
76-80	Sunbird	639590	-	-	639590
82-94	Sunbird	639580	-	-	639520
95-04	Sunfire	639580	-	-	639520
90-00	Transport	639580	-	-	639520

<b>SATURN</b>					
91-01	ALL	639560	639560	-	639570

## IMPORT VEHICLES

<b>ACURA</b>					
99-06	CL	639560	639610	-	-
90-93	Integra	639610	639610	-	-
94-97	Integra	639610	639520	-	-
98-01	Integra (Exc. Type R)	639610	639510	-	-
98-01	Integra Type R	639610	639520	-	-
90-95	Legend (All)	639610	639610	-	-
91-00	NSX	639620	639620	-	-
02-06	RSX	639610	639610	-	-
96-97	SLX	639570	639570	-	-
03-06	TSX	639610	639610	-	-
99-06	TL	639560	639610	-	-

<b>BMW</b>					
75-98	All	639570	639570	-	-

<b>FIAT</b>					
-	All Models	639520	639520	-	639520

<b>HONDA</b>					
76-85	Accord	639560	-	-	639520
88-89	Accord (DX)	639560	-	-	-
88-89	Accord (LXI)	639610	-	-	-
90-92	Accord 2Dr	639610	-	-	639610
90-97	Accord 4Dr & Wagon	639560	639610	-	639520
93-97	Accord 2Dr	639560	639610	-	639520
98-02	Accord	639560	639610	-	-
76-91	Civic (Except 4wd Wagon)	639560	-	-	-
88-91	Civic Wagon 4wd	639610	-	-	-
92-93	Civic DX/LX 3Dr/4Dr	639560	639610	-	-
92-93	Civic EX 4Dr	639610	639610	-	-
93-95	Civic 2Dr	639610	639610	-	-
94-95	Civic 3Dr/4Dr	639610	639610	-	-
96-00	Civic	639560	639610	-	-
99-02	Civic Si	639560	639610	-	-
01-05	Civic (Except Si)	639560	-	-	639520
03-06	Civic Si	639610	639610	-	-
97-01	CRV	639610	-	-	-
88-91	CRX (Including Si)	639560	-	-	-
93-96	Del Sol S & Si (without ABS)	639560	639610	-	-
94-96	Del Sol VTEC & Si (with ABS)	639610	639610	-	-
94-97	Passport	639570	639570	-	-
79-82	Prelude	639560	-	-	639520
83-91	Prelude	639610	639610	-	639520
92-01	Prelude	639520	639620	-	-
00-06	S2000	639610	639610	-	-

<b>INFINITI</b>					
03-06	G35 (with standard brakes)	639560	639570	-	-
03-06	G35 (with Brembo brakes)	639630	639630	-	-
93-97	J30	639560	639560	-	-
90-92	M30 Coupe	639560	639560	-	-
90-97	Q45	639560	639560	-	-

<b>ISUZU</b>					
89-96	Amigo	639570	639570	-	-
96-97	Hombre	639580	-	-	639520
81-84	IMark	639560	-	-	639560
85-89	IMark	639570	-	-	-
83-89	Impulse	639570	639570	-	-
96	Oasis	639610	639610	-	-
81-83	Pickup	639570	-	-	639560

PROCLASSIC HOSE

HOSE & HOSE ENDS

ADAPTER FITTINGS

QUICK RELEASE

FUEL MANAGEMENT

ACCESSORIES

BRAKE HOSES

DEALER

INDEX

YEAR	MODEL	DISC		DRUM	
		FRONT	REAR	FRONT	REAR
84-95	Pickup	639570	-	-	639570
91-97	Rodeo	639570	639570	-	-
86-97	Trooper II	639570	639570	-	-
<b>LEXUS</b>					
01-05	IS300	639570	639570	-	-
<b>MAZDA</b>					
86-89	323	639570	-	-	-
90-94	323	639550	639570	-	639570
83-02	626 (MX6)	639570	639570	-	639570
88-91	929	639550	639570	-	-
92-97	929	639570	639570	-	-
95-96	B2300 Pickup	639590	-	-	639540
95-96	B4000	639590	-	-	639540
95-96	B3000	639590	-	-	639540
90-02	Miata (MX5)	639550	639570	-	-
95-02	Millenia (MX8)	639570	639570	-	-
92-96	MPV	639550	-	-	639550
92-96	MX3	639550	639570	-	-
77-96	Pickup 2, 4WD	639570	-	-	639570
90-01	Protégé	639550	639570	-	639550
02-03	Protégé MazdaSpeed	639570	639570	-	-
78-91	RX7 (Exc. HD Susp. & Turbo)	639570	639570	-	639570
86-88	RX7 (with HD Suspension)	639550	639570	-	-
89-91	RX7 Turbo	639550	639570	-	-
92-95	RX7	639550	639570	-	-
04-06	RX8	639550	639560	-	-
<b>MERKUR</b>					
88-90	Scorpio	639560	639560	-	-
85-89	XR4TI	639560	-	-	-
<b>MITSUBISHI</b>					
1/91-5/93	3000GT VR4	639560	639570	-	-
91-93	3000GT 2WD	639630	639630	-	-
92-97	Diamante	639560	639560	-	-
89-94	Eclipse	639630	639630	-	-
95-05	Eclipse	639570	639570	-	-
89-03	Galant	639560	639560	-	-
84-96	Montero/Montero Sport	639560	639570	-	-
87-97	Pickup/ Van	639560	-	-	639560
<b>NISSAN/DATSUN</b>					
80-98	200SX	639560	639560	-	639560
89-98	240SX	639560	639560	-	-
69-78	240/260/280Z	639560	-	-	639570
79-83	280ZX	639630	639630	-	-
84-89	300ZX	639630	639630	-	-
90-96	300ZX	639560	639560	-	-
03-05	350Z (with standard brakes)	639560	639570	-	-
03-06	350Z (with Brembo brakes)	639630	639630	-	-
93-06	Altima	639560	639560	-	639570
84-06	Maxima	639560	639560	-	639570
83-06	Sentra	639560	639560	-	639570
87-92	Stanza	639560	639560	-	-
<b>NISSAN/DATSUN TRUCK</b>					
98-04	Frontier	639560	-	-	639570
86-97	Pathfinder	639560	639560	-	-
77-96	Pickup	639560	-	-	-
93-97	Quest	639590	-	-	-
04-06	Titan 4WD	639630	639630	-	-
00-04	Xterra	639560	-	-	639570
<b>PORSCHE</b>					
69-Early 75	911	639570	639570	-	-
Late 75-89	911	639520LL	639570	-	-
89-94	911 Carrera 2,4	639630	639630	-	-
91-94	911 Turbo	639630	639630	-	-
70-76	914-4	639570	639570	-	-
76-82	924	639570	639570	-	-
82-1/86	928	639570	639570	-	-
2/86-94	928	639630	639570	-	-
89	944, 944S	639560	639570	-	-
86-91	944 Turbo, S2	639560	639560	-	-
<b>SAAB</b>					
68-80	99	639630	639630	-	-
79-87	900	639630	639630	-	-

YEAR	MODEL	DISC		DRUM	
		FRONT	REAR	FRONT	REAR
88-97	900	639520	639570	-	-
86-89	9000	639630	639630	-	-
90-97	9000	639570	639570	-	-
<b>STERLING</b>					
91-97	ALL	639630	639630	-	-
<b>SUBARU</b>					
93-01	Impreza	639560	639560	-	639560
02-05	Impreza (Except WRX)	639560	639570	-	-
02-05	Impreza WRX	639570	639570	-	-
87-88	Justy	639570	-	-	-
89-94	Justy	639560	-	-	639560
90-96	Legacy (Including Outback)	639560	639560	-	-
97-04	Legacy (Including Outback)	639570	639560	-	-
92-97	SVX	639560	639560	-	-
<b>SUZUKI</b>					
86-95	Samurai	639560	-	-	-
89-01	Swift	639560	639560	-	-
89-96	Sidekick	639560	-	-	-
<b>TOYOTA</b>					
97-04	Avalon	639570	639570	-	-
83-06	Camry	639570	639570	-	-
71-81	Celica	639630	639630	-	639570
82-05	Celica (Non Turbo)	639570	639570	-	639570
93-96	Celica (Turbo)	639560	639560	-	-
79-06	Corolla	639570	639570	-	639570
84-94	MR2	639570	639570	-	-
92-95	Paseo	639570	-	-	639570
70-81	Supra	639560	639560	-	639570
82-98	Supra	639570	639570	-	639570
<b>TOYOTA TRUCK</b>					
84-94	4Runner	639560	-	-	639570
95-03	4Runner	639560	-	-	639560
70	Landcruiser	-	-	639610	639610
74-97	Landcruiser	639560	639560	-	639560
83-95	Pickup (2WD)	639570	-	-	639560
83-88	Pickup (4WD)	639560	-	-	639560 639570
89-95	Pickup (4WD)	639560	-	-	639560
91-97	Previa	639560	639560	-	-
93-96	T100 (2WD)	639570	-	-	639560
93-98	T100 (4WD)	639560	-	-	639560
93-97	T100 (1 Ton)	639560	-	-	639560
95-04	Tacoma (2WD Exc. PreRunner)	639570	-	-	-
98-04	Tacoma 2WD PreRunner	639560	-	-	-
95-04	Tacoma (4WD)	639560	-	-	-
00-06	Tundra	639560	-	-	-
<b>VOLKSWAGEN</b>					
72-79	Beetle	639570	-	-	639570
98-06	Beetle (New)	639560	639560	-	-
85-96	Cabriolet	639570	-	-	639570
89-95	Corrado	639570	-	-	639570
85-95	Golf	639570	639570	-	639570
96-99	Golf VR6	639560	639560	-	-
85-95	GTI	639570	639570	-	-
81-84	Jetta	639570	-	-	639570
85-95	Jetta	639570	639570	-	639570
96-99	Jetta VR6	639560	639560	-	-
90-97	Passat	639570	639570	-	-
95-96	Passat VR6	639560	639560	-	-
75-84	Rabbit	639570	-	-	639570
75-84	Scirocco	639570	-	-	639570
85-90	Scirocco	639570	639570	-	639570
73-89	Van	639570	-	-	-
92-95	Van	639560	-	-	-
<b>AFTERMARKET</b>					
All	Baer Alcon System (2 per caliper)	639560	-	-	-
All	Baer PBR System (1 per caliper)	639590	-	-	-
All	Outlaw Racing Calipers	639540	639540	-	-
All	Stoptech ST-40 Calipers	639560	639560	-	-
All	Wilwood Calipers	639540	639540	-	-



Each Russell Plan-O-Gram includes a full color header sign (9" x 22")

**LARGE PLAN-O-GRAM (24" X 48") #639010**

The large Plan-O-Gram is for the serious shop that wants to be among the best in the performance plumbing business. It includes a complete selection of our fastest moving part numbers in -6, -8, and -10 so you'll have the parts on hand for the customer who wants it now. This Plan-O-Gram includes 77 reorder cards, 1 header sign and the products listed below.



DESCRIPTION	QTY.	PART #
Hose End, - 4 Straight	2	610010
Hose End, - 6 Straight	6	610020
Hose End, - 8 Straight	6	610030
Hose End, - 10 Straight	2	610040
Hose End, - 4 - 45°	2	610080
Hose End, - 6 - 45°	2	610090
Hose End, - 8 - 45°	2	610100
Hose End, - 10 - 45°	2	610110
Hose End, - 4 - 90°	2	610150
Hose End, - 6 - 90°	6	610160
Hose End, - 8 - 90°	6	610170
Hose End, - 10 - 90°	2	610180
-6 Female Swivel Coupler	2	640000
-8 Female Swivel Coupler	2	640010
-6 Male Single Feed Holley Fitting	2	640200
-8 Male Dual Feed Holley Fitting	2	640210
-6 Male Dual Feed Holley Fitting	2	640220
-6 Single Feed Holley Banjo	2	640230
-6 Male Single Feed Carter Fitting	2	640240
1"-20 X -6 AN Male Flare Adapter for Quadrajet Carb	2	640340
Honda Banjo with -6 AN Male Flare for Civics w/out Fuel Pressure Damper (12mm)	2	640910
Honda Banjo with -6 AN Male Flare for Civics/Integras with Fuel Pressure Damper	2	640920
-6 Female Swivel To 3/8" Tube	2	639200
-8 Female Swivel To 1/2" Tube	2	639220
-6 To 1/2" -20 Inverted Flare	2	640330
-6 To 5/8" -18 Inverted Flare	2	640380
-8 AN Male to 5/8" -18 Inverted Flare Power Steering Adapter	2	640400
Union, Flare - 6	2	660350
Union, Flare - 8	2	660360
Union, Flare - 10	2	660370
Adapter, -4 Flare x 1/8" NPT	2	660420
Adapter, -6 Flare x 1/4" NPT	6	660440
Adapter, -6 Flare x 1/8" NPT	2	660450
Adapter, -6 Flare x 3/8" NPT	6	660460
Adapter, -8 Flare x 1/4" NPT	2	660470
Adapter, -8 Flare x 3/8" NPT	6	660480

DESCRIPTION	QTY.	PART #
Adapter, -8 Flare x 1/2" NPT	2	660490
Adapter, -10 Flare x 1/2" NPT	2	660500
Nut, Tube Coupling - 6	2	660570
Nut, Tube Coupling - 8	2	660580
Nut, Tube Coupling - 10	2	660590
Sleeve, Tube - 6	2	660650
Sleeve, Tube - 8	2	660660
Elbow, 90° x -4 Flare x 1/8" NPT	2	660800
Elbow, 90° x -4 Flare x 1/4" NPT	2	660810
Elbow, 90° x -6 Flare x 1/4" NPT	2	660820
Elbow, 90° x -6 Flare x 1/8" NPT	2	660830
Elbow, 90° x -6 Flare x 3/8" NPT	6	660840
Elbow, 90° x -8 Flare x 1/4" NPT	2	660850
Elbow, 90° x -8 Flare x 3/8" NPT	2	660860
Elbow, 90° x -8 Flare x 1/2" NPT	2	660870
Elbow, 90° x -10 Flare x 1/2" NPT	2	660880
Tee, Flare -6	2	661020
Tee, Flare -8	2	661030
Nipple, Male - 3/8" NPT	2	661520
Bushing, Reducer 3/8" x 1/4" NPT	2	661560
Bushing, Reducer 3/8" x 1/8" NPT	6	661570
Bushing, Reducer 1/2" x 3/8" NPT	2	661580
Reducer, Flare -8 To -6	2	661770
Cap, Flare -6	2	661960
Cap, Flare -8	2	661970
Plug, Allen Pipe - 1/8"	2	662030
Plug, Allen Pipe - 1/4"	2	662040
Plug, Allen Pipe - 3/8"	2	662050
Plug, Allen Pipe - 1/2"	2	662060
In Line Fuel Pressure -6 Gauge Adapter	2	670000
In Line Fuel Pressure -8 Gauge Adapter	2	670010
-6 Flare x 3/8 NPT with 1/8 Female NPT	2	670060
-8 Flare x 3/8 NPT with 1/8 Female NPT	2	670080
Proflex Hose, - 4 - 20'	2	632040
Proflex Hose, - 6 - 20'	2	632090
Proflex Hose, - 8 - 20'	2	632140
Proflex Hose, - 10 - 20'	2	632190
Fuel Pump Line Kit (use with 641090)	2	641030
Performance Fuel Line Kit	2	641050
Holley Pro Street Fuel Kit	2	641090
Fuel Pressure Gauge 0-15 Psi	2	650330

PROCLASSIC HOSE  
 HOSE & HOSE ENDS  
 ADAPTER FITTINGS  
 QWIK RELEASE  
 FUEL MANAGEMENT  
 ACCESSORIES  
 BRAKE HOSES  
 DEALER  
 INDEX

**SMALL PLAN-O-GRAM (23" X 32") #639040**

Want to add plumbing to your existing inventory but not sure where to begin? We have the solution... the Russell Small Plan-O-Gram. This Plan-O-Gram features 25 top selling part numbers in sizes -6 and -8. Applications that use these sizes include carburetor, fuel, oil and water lines. Includes 2 of each part number, 25 reorder cards and a header card.

DESCRIPTION	QTY.	PART #
Hose End, - 6 Straight	2	610020
Hose End, - 8 Straight	2	610030
Hose End, - 6 - 45°	2	610090
Hose End, - 8 - 45°	2	610100
Hose End, - 6 - 90°	2	610160
Hose End, - 8 - 90°	2	610170
-6 Male Single Feed Holley Fitting	2	640200
-6 Male Dual Feed Holley Fitting	2	640220
-6 Female Swivel To 3/8" Tube	2	639200
-6 Male 37° To 3/8" Tube	2	639210
-8 Female Swivel To 1/2" Tube	2	639220
-8 Male 37° To 1/2" Tube	2	639230
Union, Flare - 6	2	660350
Union, Flare - 8	2	660360
Adapter, -6 Flare x 1/4" NPT	2	660440
Adapter, -6 Flare x 1/8" NPT	2	660450
Adapter, -6 Flare x 3/8" NPT	2	660460
Adapter, -8 Flare x 1/4" NPT	2	660470
Adapter, -8 Flare x 3/8" NPT	2	660480
Adapter, -8 Flare x 1/2" NPT	2	660490
Elbow, 90° x -6 Flare x 1/4" NPT	2	660820
Elbow, 90° x -8 Flare x 3/8" NPT	2	660860
Elbow, 90° x -8 Flare x 1/2" NPT	2	660870
Plug, Allen Pipe - 3/8"	2	662050
Plug, Allen Pipe - 1/2"	2	662060



Small Plan-O-Gram #639040



**UNIVERSAL BRAKE LINE PLAN-O-GRAM (23" X 32") #639020**

Adding brake lines to your existing inventory is easy with the Russell Universal Brake Line Plan-O-Gram. This Plan-O-Gram consists of the 14 top selling part numbers, 6 different lengths of street legal universal clear coat brake lines and 8 adapter fittings for a total of 24 units. 14 reorder cards and a header sign are included.

DESCRIPTION	QTY.	PART #
Endura - 3 10mm Banjo Fitting	2	640471
Endura GM Banjo To - 3	2	640491
Endura 3/8 x 24 -3 Female Brake Fitting	1	641291
Endura -3 1/8" Pipe Male	2	642441
Endura -3 90° 1/8" Pipe Male	1	642791
Endura -3 Male Tee	1	642981
Endura -3 Bulkhead Tee	1	643301
Endura -3 Bulkhead Nut	2	643871
Endura 18" 90° -3 To Straight -3 - Street Legal	2	655042
Endura 24" 90° -3 To Straight -3 - Street Legal	2	655062
Endura 15" Straight -3 To Straight -3 - Street Legal	2	656032
Endura 18" Straight -3 To Straight -3 - Street Legal	2	656042
Endura 24" Straight -3 To Straight -3 - Street Legal	2	656062
Endura 15" 90° -3 To Straight -3 - Street Legal	2	655032



#601900



#601903



#601904



#601902



#601910



#600299



#600290

**9-INCH CONTINGENCY DECALS**

Printed on adhesive backed white vinyl for durability, these 9" Russell contingency decals are the ideal size for race cars. Great for trailer and P.O.P use too.

DESCRIPTION	QTY.	PART #
Russell decal	1	601900
Russell Performance Plumbing decal	1	601903
Russell ProClassic decal	1	601904

**DEALER DECAL**

The red, yellow and black decal lets your customers know that you sell Russell products.

SIZE	QTY.	PART #
6-1/4" x 9-3/4"	1	601902

**RACE TRACK DECAL SHEET**

Raise your customers' awareness of the Russell name by handing out this Russell decal sheet at events. Each sheet contains 7 die cut logos: one 4-1/2" decal, two 2" decals and four 1-1/2" decals. Red, yellow and black printed on white vinyl.

QTY.	PART #
1	601910

**REORDER CARDS**

Let's you know when it's time to reorder stock for your Plan-O-Grams. Measures 2 1/4" x 2 1/4".

QTY.	PART #
100	600299

**RUSSELL BANNER**

Brilliant Russell logo printed on reinforced all weather vinyl with brass grommets. Recognizable from over a half mile away, these banners say you carry the Russell brand of fittings, hose ends, brake lines and more. Great for promotional displays and events.

SIZE	QTY.	PART #
99" x 28"	1	600290
18" x 62"	1	600291

**CLASSIC BALL CAP**

Classic brushed twill baseball style cap with embroidered Russell logo on the front.

COLOR	PART #
Black	600240



PROCLASSIC HOSE

HOSE & HOSE ENDS

ADAPTER FITTINGS

QUICK RELEASE

FUEL MANAGEMENT

ACCESSORIES

BRAKE HOSES

DEALER

INDEX



***Hose and Hose Ends***

***Adapters***

***Fuel Management***

***Service Parts***

***Tools***

***Accessories***

***Brake Lines***

***And Much More!***

***Edelbrock***

**[www.edelbrock.com/russell](http://www.edelbrock.com/russell)**

***RUSSELL***

Russell Performance Products...  
An Edelbrock Company