



**THE BEST IDEAS IN FILTRATION**



The #1 Filter in  
**NASCAR**

**2011** COMPLETE PRODUCT CATALOG





# HIGH-FLOW TECHNOLOGY

**AIR FILTERS**

**INTAKE SYSTEMS**

**OIL FILTERS**

## **AUTOMOTIVE**



## **RACING**



## **HEAVY DUTY DIESEL**



## **POWERSPORTS**



Photo: BermMotorsports.com

Photo: BrianJNelson.com

Photo: Warn Industries

## **MOBILE AND AUXILIARY POWER EQUIPMENT**







**2011 COMPLETE PRODUCT CATALOG**

**HIGH-FLOW  
AIR FILTERS™**

**PAGE 2**



**HIGH-FLOW  
INTAKE SYSTEMS\***

**PAGE 12**



**HIGH-FLOW  
OIL FILTERS**

**PAGE 6**



**SECTIONS PAGES**

**Air Filters, OE Replacements**  
 Benefits..... 2-3  
 Applications..... 149-691  
 Air Filter Cleaning Instructions & Assessories ... 692-693

**Air Filters, Light Duty Turbo Diesel Truck** ..... 4-5

**Air Filters, Motorcycle and ATV** ..... 7

**Air Filters, Agricultural and Heavy Duty** ..... 8-9

**Air Filters, Mobile & Auxiliary Power Equipment**..... 10

**Intake Systems**  
 Benefits..... 12-13  
 Applications..... 83-146  
 Spare Filters and Wraps ..... 75-78

**Oil Filters**  
 Benefits ..... 6  
 Applications ..... 149-691

**Oil Filters, Agricultural and Heavy Duty** ..... 9

**Clamp-On Air Filters**  
 Benefits ..... 14  
 Listings by Size ..... 35-54

**Racing, Hot Rod, & Custom Products** ..... 19-34

**Filter Dimensions by Size** ..... 55-67

**Filter Wraps** ..... 71-78

**Cleaning Products and Instructions** ..... 692-693

**Air Filter Accessories** ..... 68-70

**Warranties and Guarantees** ..... 79-80

**PARTS FOR VEHICLES UPDATED DAILY AT  
KNFILTERS.COM**

The following are Trademarks and/or Registered trademarks of K&N Engineering, Inc.: K&N, the K&N Logo, HIGH-FLOW AIR FILTERS, WRENCH-OFF OIL FILTERS, AIRCHARGER, DRYCHARGER, FILTERCHARGER, FIPK, FIPK Generation 2, KNFILTERS.COM, KNPOWERSPORTS.COM, PERFORMANCE GOLD, POWERLINK, PRECHARGER, RECHARGER, STUBSTACK, TYPHOON, XSTREAM, the XSTREAM Logo, CUSTOM 66 SERIES, POWERLID, POWER KLEEN, 57i, WASHABLE & REUSABLE, the Hybrid Media logo, K&N MILLION MILE LIMITED WARRANTY, and the K&N Warranty medallions. K&N protects its marks and other legal rights against infringers.

**800-858-3333**

\*Street legal in most states. Some intake systems are not legal for use on certain vehicles in California, or states adopting CA emissions standards. See our catalog or knfilters.com for CARB status on each part for a specific vehicle.

# STANDARD AUTOMOTIVE & TRUCK AIR FILTERS

## 5 Minute Performance Upgrade

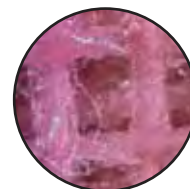
### DESIGNED TO INCREASE HORSEPOWER!

This is the original High-Flow Air Filter™ invented by K&N. It is made with layers of woven cotton for a washable filter that offers high airflow that can increase your car's horsepower and acceleration. For better performance and value over the life of your car, you cannot go wrong with our most popular product.

**Drops into your factory air box in 5 minutes and helps your car run better.**

- **Designed to increase horsepower and acceleration**
- **Built to last for the life of your car**

Thousands of microscopic cotton gauze fibers naturally hold specially designed oil in suspension to create a powerful filtering medium



**WASHABLE  
&  
REUSABLE™**

Washable and reusable High-Flow Air Filter™ can go up to 50,000 miles between cleanings under normal highway driving conditions

Multiple layers of premium cotton gauze help maintain high airflow rates with outstanding filtration



### SAVE MONEY

Using a washable air filter can save you money in the long run. One K&N O/E Replacement Air Filter costs far less than replacing disposable air filters over and over again. Even better, they only require cleaning every 50,000 miles under normal highway driving conditions.

### REDUCE WASTE / SAVE ENERGY

Long-life products also save energy and reduce waste. There are over 100 million disposable air filters that are thrown away each year in the USA. This waste ends up in landfills or incinerators requiring new filters to be manufactured and repurchased by consumers over and over during the life of their car.

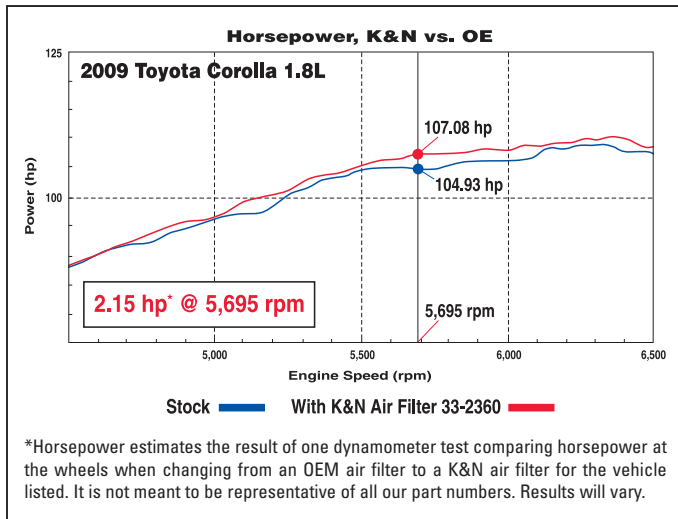
**Made in the USA using only the finest materials, K&N OE Replacement Air Filters are washable and backed by the World's First Million Mile Limited Warranty.**





# STANDARD AUTOMOTIVE AND TRUCK AIR FILTERS

Available for Most Cars and Trucks

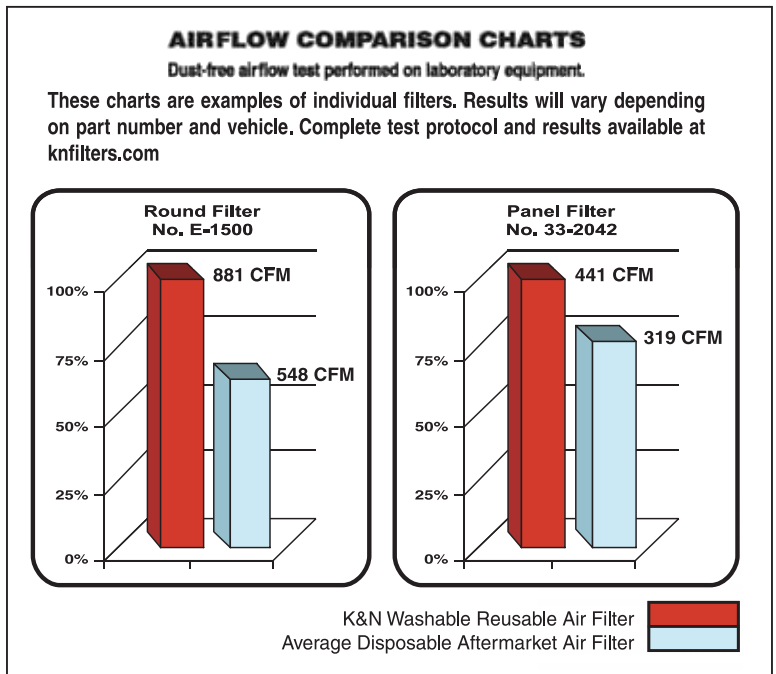


## HORSEPOWER, ACCELERATION AND PROTECTION

Our OE Replacement Air Filters flow huge volumes of air into your engine and generally add 1-4 horsepower to your car or truck. In our opinion we achieve the optimal blend of high airflow, filtration efficiency, durability and dust capacity. K&N Air Filter media has been tested both in-house and by independent labs using the ISO 5011 Test Protocol developed by the Society of Automotive Engineers. In addition, we test many of our filters both in and out of the OE airbox ensuring proper fit and function. Our goal is to design filters with the maximum possible airflow achievable while providing outstanding engine protection.



**EASY TO INSTALL**  
**5**  
**MINUTES**



2009-11 Audi A5  
2.7L, 3.0L



2009-11 Nissan GT-R  
3.8L



2011 Mustang GT  
3.7L, 5.0L

800-858-3333



# LIGHT DUTY TURBO DIESEL TRUCK

## LIGHT DUTY TURBO DIESEL TRUCK AIR FILTERS AND AIR INTAKE SYSTEMS



A diesel engine is a tough environment. Diesels create higher compression ratios and require tighter tolerances; that's why we build diesel air filters to even higher specifications. They typically use deeper pleats in larger sizes to increase surface area for more capacity and airflow. They contain more cotton in different grades and configurations to achieve higher levels of efficiency. When you put a K&N Diesel Air Filter to work, you can feel confident that you've got a product specially designed and tested for your diesel's specific engine demands.

### K&N POWERCUBE AIR FILTERS

*Drop Right Into Your Factory Air Box!*

#### Sometimes Thinking Out of the Box Means Thinking Inside the Box

K&N's line of POWERCUBE Air filters are designed to replace an O/E flat panel filter with a 3-D oversized air filter that fits right into your factory air box. They fill otherwise empty space with a larger four sided air filter and when it comes to air filters, bigger is always better – a lot better. The POWERCUBE has higher airflow and more dust holding capacity than even a K&N panel air filter. This oversized air filter provides dramatically more power than can be made available in a panel filter design.



**8\***  
**More HP!**  
**in Five**  
**minutes**

\*Dyno tested with part number E-0776 on a 2005 Dodge Ram 2500 5.9L Dsl. Results will vary.

**E-0776**  
2003-07 Dodge  
Cummins 5.9L Diesel

### K&N POWERCUBE AIR FILTERS

DODGE	YEAR	ENGINE	PART#	ESTIMATED HP
Ram 2500/3500	2010-11	6.7L dsl	E-0787	+ 5 HP
Ram 2500/3500	2007-09	6.7L dsl	E-0784	+ 6 HP
Ram 2500/3500	2003-07	5.9L dsl	E-0776	+ 8 HP

Horsepower estimates are the result of one dynamometer test comparing horsepower at the wheels when changing from an OEM air filter to a K&N air filter for the vehicle listed. It is not meant to be representative of all our part numbers. Results will vary.



# LIGHT DUTY TURBO DIESEL TRUCK



**E-0781**  
2006-10 GM  
Duramax 6.6L Diesel

**9 More Horsepower!\***

- Designed to Increase Horsepower
- Washable and Reusable
- 6 Layers of Extra Fine Weave Cotton
- K&N Million Mile Limited Warranty®
- Made in the USA

## HIGH-FLOW DIESEL AIR FILTERS - BETTER!

CHEVY/GMC	YEAR	ENGINE	AIR FILTER	EST. HP*
Duramax	2006-10	6.6L	<b>E-0781</b>	+9 hp*
Duramax	2005 <sup>1</sup>	6.6L	<b>E-0781</b>	+9 hp*
Duramax	2005 <sup>2</sup>	6.6L	<b>33-2135</b>	+7 hp*
Duramax	2001-04	6.6L	<b>33-2135</b>	+7 hp*
DODGE				
Cummins	2010-11	6.7L	<b>E-0787</b>	+5 hp*
Cummins	2007-09	6.7L	<b>E-0784</b>	+6 hp*
Cummins	2003-07	5.9L	<b>E-0776</b>	+8 hp*
Cummins	1994-02	5.9L	<b>33-2056</b>	+2 hp*
FORD				
Power Stroke	2008-10	6.4L	<b>E-0785</b>	+2 hp*
Power Stroke	2003-07	6.0L	<b>E-0780</b>	+10 hp*
Power Stroke	2000-03	7.3L	<b>33-2248</b>	+3 hp*
Power Stroke	1999 <sup>3</sup>	7.3L	<b>33-2248</b>	+3 hp*

Notes: 1) with round filter 2) with panel filter 3) Built from 12/7/98

\*Horsepower estimates are the result of one dynamometer test comparing horsepower at the wheels when changing from an OEM air filter to a K&N air filter for the vehicle listed. It is not meant to be representative of all our part numbers. Results will vary.



**57-2576**  
2008-10 Ford F250/350  
6.4L Diesel

**16 More Horsepower!†**

- Guaranteed Horsepower
- Improved Throttle Response
- Won't Void Factory Warranty
- K&N Million Mile Limited Warranty®
- Made in the USA

## HIGH-FLOW DIESEL INTAKE SYSTEMS - BEST!

CHEVY/GMC	YEAR	ENGINE	INTAKE	EST. HP†	EST. TORQUE†
Duramax	2007-10	6.6L LMM	<b>57-3066</b>	+20 hp†	+31 ft-lb†
Duramax	2006-07	6.6L	<b>57-3057</b>	+22 hp†	+41 ft-lb†
Duramax	2005	6.6L	<b>57-3057<sup>1</sup></b>	+22 hp†	+41 ft-lb†
Duramax	2005	6.6L	<b>57-3047<sup>2</sup></b>	+20 hp†	+34 ft-lb†
Duramax	2004	6.6L LLY	<b>57-3047</b>	+20 hp†	+34 ft-lb†
Duramax	2004	6.6L LB7	<b>57-3034</b>	+16 hp†	+26 ft-lb†
Duramax	2001-03	6.6L	<b>57-3034</b>	+16 hp†	+26 ft-lb†
DODGE					
Cummins	2007-09	6.7L	<b>57-1557</b>	+21 hp†	+43 ft-lb†
Cummins	2003-07	5.9L	<b>57-1532</b>	+11 hp†	+20 ft-lb†
Cummins	1994-02	5.9L	<b>57-1525</b>	+9 hp†	+19 ft-lb†
FORD					
Power Stroke	2008-10	6.4L	<b>57-2576</b>	+16 hp†	+26 ft-lb†
Power Stroke	2003-07	6.0L	<b>57-2546-1<sup>3</sup></b>	+16 hp†	+24 ft-lb†
Power Stroke	1999-03	7.3L	<b>57-2530</b>	+15 hp†	+27 ft-lb†
Power Stroke	1994-97	7.3L	<b>57-2531</b>	+10 hp†	+17 ft-lb†

Notes: 1) with round filter 2) with panel filter 3) Applies to F-250/F-350 only

†) Estimated horsepower and torque gains based on specific or similar vehicle dynamometer tests. Results will vary. For more information, look up vehicle and/or testing protocols at knfilters.com.

**PARTS FOR VEHICLES LISTED ARE 50-STATE LEGAL**

See our catalog or knfilters.com for CARB status on each part for a specific vehicle



# AUTO & LIGHT DUTY TRUCK OIL FILTERS

## PREMIUM GRADE WRENCH-OFF OIL FILTERS®

We've all been there: whether it's remembering where that disappearing canister tool is; having oil leak all over your garage and yourself; or finally giving up and pounding a screwdriver through the filter just to get it off. Most of our oil filters come with a nut welded to the top of the canister so they can be easily wrenched-off with a standard tool.

- Filter nut makes installation and removal quick and easy
- Premium filter media captures 99% of harmful contaminants
- Heavy gauge canister with leakproof double-rolled seams
- Designed for higher burst strength and protection from road debris
- Specially designed for today's synthetic and extended service motor oils

## HEAVY-DUTY CONSTRUCTION FOR EXTREME CONDITIONS

To satisfy the demands of racers, our oil filter has many features over and above the requirements of most vehicles. We use thicker canister walls for extra strength and durability which reduces the risk of damage from loose rocks and debris. The heavy-duty construction will withstand higher oil pressures. The drilled hole in the nut is for a safety wire attachment. Required for many types of racing, the safety wire prevents blown oil filters from falling on the track and presenting a hazard to other race vehicles. This extra engineering offers peace of mind for consumers who want only the best.

## HIGH-FLOW RATE

Our oil filters use resin impregnated cellulose filter media. This allows for higher flow rates while providing outstanding filtration. High filter flow rates are important in racing vehicles where heavier grade oil is used and the oil is pumped much faster than in a standard vehicle. When the engine is circulating oil at high GPM rates, the high-flow oil filter helps reduce the loss of pressure through the filtering process.

## EXTENDED LIFE MAKES DOLLARS AND SENSE

Many vehicle manufacturers are now recommending average oil change intervals of 10,000 miles or longer for newer vehicles using certain synthetic motor oils.\* K&N Premium Wrench-Off Oil Filters® are the perfect

partner for synthetic oils and extended oil change intervals. Extending your oil change intervals can save you time and serious money. Don't let an oil filter designed to last 3,000 miles be the weak link in the chain. K&N's Premium Wrench-Off Oil Filters® are built to go the distance.

\* Always follow the factory recommended oil change intervals found in your vehicle owners manual.

## OUR PREMIUM OIL FILTER



**WRENCH-OFF OIL FILTER®**

## HIGH-FLOW OIL FILTERS

K&N High-Flow Oil Filters are designed to provide better engine performance by reducing oil filter restriction. K&N High-Flow Oil Filters are engineered to handle all grades of synthetic and conventional motor oils, including blends, and use a pleated filtration media that provides increased capacity and outstanding filtration.

K&N's legacy in both racing and street performance finds its way into all of our filtration designs. That's why K&N is the #1 filter used in NASCAR.

**Part numbers for these filters begin with "PS"**



# K&N MOTORCYCLE AND ATV

## AIR AND OIL FILTERS

K&N has been making powersports air filters and kits right from its beginning. Designed to drop into your factory airbox, we offer over 400 stock replacement air filters, including products for cruisers, sport bikes, and ATVs.

Additionally, we offer specialty air filters, air intake systems\*, air cleaner assemblies\*, and Powerlids™ for select cruisers, ATVs and UTVs.

K&N delivers a Premium Oil Filter built with synthetic media designed to withstand the high concentrates of synthetic racing oils. Special media provides high flow rates, and outstanding filtration. K&N Oil Filters deliver performance and confidence!

Powersports Air and Oil Filters are listed in this catalog. For the complete Powersports line see [knfilters.com](http://knfilters.com) or request a K&N Powersports catalog at 800-858-3333.

**Motorcycle and ATV air filters and oil filters are listed on pages 149-691**



Photo: Warm Industries

**EMISSIONS NOTICE FOR CALIFORNIA RESIDENTS: FOR RACING AND RED TAG OFF-ROAD VEHICLES ONLY. MAY NEVER BE USED ON A HIGHWAY**

### ATV/UTV

- Aircharger® Complete Airbox Assemblies
- High-Flow Air Filters™
- Wrench-Off Oil Filters®



Photo: BermMotorsports.com

### Dirt Bikes

- XStream® Series Motocross Filters
- High-Flow Air Filters™
- Performance Oil Filters



### Sportbikes

- RACE-SPEC High-Flow Air Filters™
- Standard High-Flow Air Filters™
- Wrench-Off Oil Filters®



Photo: brianjnelson.com

### American V-Twin

- RK Series Custom Air Cleaners\*
- Aircharger® Complete Intake Systems\*
- High-Flow Air Filters™
- Wrench-Off Oil Filters®



**\* STREET LEGAL IN MOST STATES**  
 NOT LEGAL FOR USE IN CA & OTHER STATES ADOPTING CA EMISSIONS STANDARDS

**800-858-3333**



# COMMERCIAL GRADE HEAVY DUTY TRUCK AIR FILTERS & OIL FILTERS

## HEAVY DUTY WASHABLE AND REUSABLE AIR FILTERS



*Designed to Improve Horsepower • Easy to Clean*

**WASHABLE  
&  
REUSABLE™**

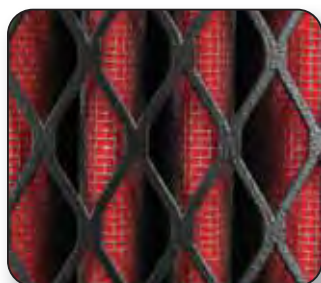


### Heavy Duty

- Motorhomes and Recreational Vehicles
- Bus/Fire/Transport Vehicles
- Class 6-8 Trucks and Diesel Equipment
- Construction and Earth Moving Equipment

### Commercial Grade Construction

Our Diesel Air Filters are constructed with extra strength and reinforcements to withstand the harsh conditions that can be found in commercial use. The Hybrid filter medium is pleated and placed between two powder-coated aluminum screens for consistent surface area that can smooth and straighten airflow. The reinforced medium is then held between sturdy top and bottom plates and surrounded by a powder-coated steel cage to help withstand the extreme temperatures and pressures that can be present in large turbo diesel applications. This means the filters will not collapse or lose their seal under the high levels of compression that may be encountered in commercial environments.



**Our robust Hybrid filtration medium is comprised of lofted non-woven synthetic fibers to create a three-dimensional medium capable of providing high airflow and dirt capacity.**

### Improves Performance

Our Diesel Air Filters are designed to increase horsepower through a low-restriction, high airflow design, which helps an engine run better. When there is too much restriction, the engine will need to expend energy "pulling" the air through the restriction. This is wasted energy that is no longer available for potential power at the wheels. Plus K&N Diesel Air filters are reusable.

### A Washable Diesel Air Filter

The power, durability and design of turbo diesel engines create unique air filtration demands. K&N has developed a new line of Washable Heavy Duty Air Filters using our Hybrid filtration medium. These depth loading air filters deliver very high filtration efficiency, large dust holding capacity and high airflow, making them perfect for large turbo diesel class 4-8 over-the-road trucks, agriculture and earth moving equipment.



Spray on degreaser



Spray off dirt

### Easy To Clean And Reuse

These filters are very robust which means they are incredibly easy to clean and nearly indestructible. After you apply our special degreaser, part number 99-0638, you can use pressure washers, compressed air, or water hose nozzles to clean the dirt and grime out of the filter. The filter does not even have to be completely dry to be re-installed.

### Commercial Grade Diesel Air Filter Warranty

These air filters are backed by a three-year/300,000-mile limited warranty. They are meant to be washed and reused over and over.



# COMMERCIAL GRADE HEAVY DUTY TRUCK AIR FILTERS & OIL FILTERS

## HEAVY DUTY AIR FILTER CROSS REFERENCE

K&N	BALDWIN	CARQUEST	DONALDSON	FARR/RACOR	FLEETGUARD	FRAM	LUBER-FINER	NAPA	WIX
38-2001S/R*	PA2721	88891	P537447	062891001	AH1104 AH8501	CA7229	LAF1828	6891	46891
38-2002S/R*	PA2722	88893	P537448	062891002	AH1105 AH8503	CA7230	LAF1848	6893	46893
38-2006S*	PA3493	88748	P537454	114880003	AH1197	CA8130	LAF1934	6748	46748
38-2007S*	PA3556	88755	P537453	114500003	AH1193	CA6855	LAF2521	6755	46755
38-2009R*	•	•	•	094973007	•	•	•	•	•
38-2012S*	RS3518	88556	P527682 EAF5069	•	AF4908 AF25139M	CA7140	LAF1849 LAF1849MXM	6556	46556
38-2014S*	PA3555	88759	P537452	114500002	AH1192	CA8129	LAF22026	6759	46759
38-2019S*	RS3530	88745	P533235 EAF5104	•	AF25033 AF25033M	CA7466	LAF1953 LAF1953MXM	6745	46745

\*S = standard flow. R = reverse flow. Cross references should be used for comparison of filters with similar dimensions. The user assumes all responsibility for verifying that filters are compatible with their vehicle before using these products. Damage may result if the user fails to ensure that the filter is compatible and seals properly before installing the product or operating the engine. Please call K&N's Customer Service Department at 1-800-858-3333 for assistance when choosing the appropriate replacement air filter.



### K&N HEAVY DUTY WRENCH-OFF OIL FILTERS®



K&N Diesel Wrench-Off Oil Filters® have been specially designed for the high compression levels and tighter tolerances of turbo diesel engines. Our synthetic micro-glass media provides lower restriction and incredible engine protection. Add to this our thicker canister and higher burst strength and you have one serious heavy duty oil filter.

**HEAVY DUTY AIR FILTER CLEANER**  
Specially formulated cleaner to be used on K&N Heavy Duty Commercial Grade air filters. Comes in a one-gallon bottle with a 38-inch hose & spray nozzle.

Part# 99-0638



## HEAVY DUTY WRENCH-OFF OIL FILTER® CROSS REFERENCE

K&N	BALDWIN	CARQUEST	DONALDSON	FLEETGUARD	FRAM	LUBER-FINER	NAPA	WIX
HP-8000	B495	85971	P552100	LF3620	PH7405A	LFP2160	1971	51971
	B495-MPG	85971MP	ELF3998	LF3671	PH7405	LFP2160XL	1971MP	51971MP
	B495-SS	85971XD		LF9620			1971XD	51971XD
HP-8001	B76	85791	P553191	LF667	PH8842	LFP3191	1791	51791
	B76-MPG	85791MP	P554004	LF3379	PH49A	LFP3191SC	1791MP	51791MP
	B76-SS	85791XD	ELF7483	LF9667	HPH49A	LFP3191XL	1791XD	51791XD
	B7600	85791XE	ELF7739				1791XE	51791XE
	B7600-SS							
HP-8002	B99	85792	P554005	LF691	HPH3335	LFP4005	1792	51792
	B99-MPG	85792MP	P554105	LF691A	PH3335	LFP4005RN	1792MP	51792MP
	B99-SS	85792XD	ELF7405	LF3374	PH3426	LFP4005SC	1792XD	51792XD
		85792XE		LF3566 LF9691 LF9691A		LFP4005XL	1792XE	51792XE 51801
HP-8003	BD103	85748	P553000	LF3000	PH6349A	LFP3000	1748	51748
	BD103-SS	85748MP	ELF7300	LF3639	HPH6349A	LFP3000XL	1748MP	51748MP
		85748XD		LF9009	HPH6349		1748XD	51748XD
HP-8006	BD7154	84745XD	P559000	LF9031	•	LFP9001	7745XD	57745XD
		84746XD	ELF7900	LF9080			7746XD	57746XD
HP-8017	BT427	85602	P558616 ELF7345	LF3345	PH3900	LFP3900	1602	51602
HP-8021	BT237	85459	P554407	LF699 LF787	PH977A	LFP2292	1459	51459
HP-8025	BD7250	84744XD	P550656 P552025	LF9025	PH9971A PH9971	LFP9025	7744XD	57744XD
HP-8026	P7235	84311	P550528	LF16166	CH9549	LP2017	7311	57311
HP-8027	P7188	84215	P550761	LF3914	CH9260	LP8741	7215	57215
HP-8028	P7230	84213	P550769 ELF7690	LF16046	CH9558	LP5048	7213	57213

Cross references should be used for comparison of filters with similar dimensions. The user assumes all responsibility for verifying that filters are compatible with their vehicle before using these products. Damage may result if the user fails to ensure that the filter is compatible and seals properly before installing the product or operating the engine. Please call K&N's Customer Service Department at 1-800-858-3333 for assistance when choosing the appropriate replacement oil filter.

**FIND THE APPLICATIONS FOR YOUR RIG AT [KNFILTERS.COM](http://KNFILTERS.COM)**

**800-858-3333**



# MOBILE & AUXILIARY POWER EQUIPMENT AIR FILTERS

## WASHABLE AND REUSABLE AIR FILTERS FOR GENERATORS, LANDSCAPE EQUIPMENT, REFRIGERATION UNITS AND MORE

K&N offers air filters for many types of mobile and auxiliary power equipment using our new Hybrid Air Filtration Medium. These filters are made from a non-woven synthetic material designed to be used dry with no oil required. This makes these air filters very easy to clean using power washers, pressure sprayers or hose nozzles. Our Hybrid filter has a lofted three-dimensional feature which adds depth loading and large dust holding capacities.



### MOBILE & AUXILIARY POWER EQUIPMENT AIR FILTER CROSS REFERENCE

K&N	ORIGINAL EQUIPMENT #	BALDWIN	CARQUEST	DONALDSON	FLEETGUARD	FRAM	LUBER-FINER	NAPA	WIX
33-2238	Briggs & Stratton: 399959 Briggs & Stratton: 491588 Honda: 17211ZL8003	PA2222	87420	P606276	•	•	LAF4512	2420	42420
33-2240	Briggs & Stratton: 499486	•	•	•	•	•	•	•	•
33-2301	Honda: 17210ZJ1842	•	•	•	•	•	•	•	•
33-2303	Kawasaki: 110137002	•	•	•	•	•	•	•	•
33-2307	Kawasaki: 110137017	•	•	•	•	•	•	•	•
E-1650	Impco: F19	PA1758	87095	•	AF390	•	AF212	2095	42095
E-2470	Case: A70090 International Harvester: 385168R1 Kohler: 235116 Tecumseh: 32008 Worthington: FLR225	PA678	87373	P528231	AF843	CA77	AF213	2373	42373
E-3740	Impco: F16	•	•	•	•	•	•	•	•
E-4142	Briggs & Stratton: 392308	PA4556	87292	•	•	CA8442	AF205	2292	42292
E-4142	Briggs & Stratton: 396424	PA2225	87424	•	•	CA8442	•	2424	42424
E-4310	Stihl: 42011410300	PA2862	87977	P530645	AF4525	•	LAF8820	2977	42977
E-4400	Jacobsen: 231847 (Kohler) John Deere: AM30800 Kohler: 231847 Lauson: 10060 Tecumseh: 31925	PA1712	87374	P528206	AF1651	CA76	AF211	2374	42374
E-4425	Onan: 1401228	PA2063	88094	P530642	AF1669	CA140	LAF1782	6094	46094
E-4430	Tecumseh: 32355 Volvo: 660846	PA1639	87305	•	AF1648	CA72	AF208	2305	42305
E-4450	Ingersoll Rand: 3H36330T75	•	•	•	•	•	•	•	•
E-4490	Ingersoll Rand: 668788 Thermo-King: FA70PL	PA640	87370	P526873	AF284	CA70	AF70	2370	42370
E-4505	Honda: 17210890505	•	•	•	•	•	•	•	•
E-4511	Honda: 17211ZE7W03	•	•	•	•	•	•	•	•
E-4513	Honda: 17210ZE2505	PA4552	87709	P607273	AF25473	•	LAF5024	2709	42709
E-4515	Honda: 17210ZE0505	PA4551	87322	•	AF25471	•	LAF22024	2322	42322
E-4516	Honda: 17210ZE1517 Honda: 17210ZE1822	PA4820	•	•	•	•	LAF22025	•	•
E-4517	Briggs & Stratton: 390930 Briggs & Stratton: 393957 John Deere: PT9334	PA2223	87291	P606290	AF4574	•	AF206	2291	42291
E-4518	Kohler: 2408303	PA3901	87444	P607255	•	CA8507	LAF5802	2444	42444
E-4521	John Deere: M47494 Kohler: 4708303	PA2069	87297	P530639	AF25340	CA79	AF217	2297	42297
E-4522	Kohler: 4708301 Kohler: 4708304	PA2068	87296	P530635	•	CA6605	AF216	2296	42296
E-4552	Onan: 140-3071	RS3715	88449	P822686	AF25538	CA9248	LAF8388	6449	46449
E-4583	Kohler: 4508302	PA2067	87299	P528215	•	CA372	AF215	2299	42299
E-4600	Ingersoll Rand: 9079099	•	•	•	•	•	•	•	•
E-4610	Ingersoll Rand: 9080099	•	•	•	•	•	•	•	•
E-4640	Impco: F15	PA2050	88033	•	AF4929	•	•	6033	46033
E-4650	Impco: F115	PA2102	88247	•	AF4928	CA6525	•	6247	46247
E-4665	Briggs & Stratton: 392642 Briggs & Stratton: 394018	PA2226	87359	P530628	•	CA7726	LAF1918	2359	42359
E-4680	Ingersoll Rand: 2969K99	•	•	•	•	•	•	•	•
E-4710	Craftsman: 917816000	•	•	•	•	•	•	•	•
E-4720	Ingersoll Rand: RU406X59	•	•	•	•	•	•	•	•
E-4780	Impco: F114	PA638	87232	•	•	•	•	2232	42232
E-4790	Impco: F11	PA615	•	•	•	•	•	•	•
E-4900	Tecumseh: 33268	PA2258	87361	•	•	CA8561	•	2361	42361
E-4961	•	RS3704	88438	P821575	AF25551	CA9550	LAF8195	6438	46438
E-4962	•	RS3988	88489	P822768	AF25308	CA9246	LAF8143	6489	46489

**The #1 filter in**



**Dedicated to  
NASCAR® Racing**

K&N traces its involvement with NASCAR back to the 1970s, the early days of supplying parts for the NASCAR Sprint Cup Series™ races at the old Riverside Speedway. And our dedication to racing is strengthened each time we develop our products at racetracks, and support race teams at all levels of NASCAR competition.

**K&N HIGH-FLOW  
AIR FILTERS™ FROM  
NASCAR TO YOUR CAR**

Now you can use the same air filter technology used in NASCAR to improve the performance of your car. K&N's High Flow Air Filters™ are specially designed to reduce airflow restriction and improve horsepower by using layers of cotton instead of paper media. Cotton breathes easier and is washable. One K&N High Flow Replacement Air Filter can last for the life of your car and only needs to be cleaned every 50,000 miles under normal driving conditions. Better performance and longer life from K&N, the original performance air filter of NASCAR.



As the title sponsor of the NASCAR K&N Pro Series East and West, K&N is once again helping to support developing drivers. This mirrors our 25 year commitment to grass-roots racing and local event sponsorship. This is the premier developmental series created by NASCAR to help drivers learn the skills they will need to be able to compete at the national event level. So if you want all the thrills and chills of NASCAR in a smaller setting, go check out a NASCAR K&N Pro Series™ race at one of the tracks near you.

**2011 NASCAR K&N PRO SERIES SCHEDULE**

Pro Series West		Pro Series East	
Feb 24	Phoenix	Mar 26	Greenville
Apr 16	Roseville	Apr 16	South Boston
Apr 30	Miller	Apr 28	Richmond
May 21	Iowa	May 21	Iowa
Jun 11	Las Vegas	Jun 4	Bowman
Jun 25	Sonoma	Jun 11	Gresham
Jul 2	Irwindale	Jun 18	Langley
Jul 10	Monroe	Jul 15	New Hampshire
Jul 24	Portland	Jul 23	Columbus
Aug 6	Colorado	Sep 5	Greenville
Aug 13	Montana	Sep 23	New Hampshire
Sep 3	Spokane	Sep 30	Dover
Oct 15	Roseville		
Nov 12	Phoenix		





# AUTO & TRUCK COMPLETE AIR INTAKE SYSTEMS

*The Ultimate Power Upgrade!*

## MORE POWER GUARANTEED



### **A COMPLETE AIR DELIVERY SYSTEM**

K&N Intake Systems completely replace the factory air intake assembly with an aerodynamically engineered tube and an oversized conical air filter. Most systems come with a heat shield to isolate cool air taken in by the engine. They take about 90 minutes to install and are designed to deliver huge increases in power and acceleration that you will feel on your next drive. Offering up to 4 times more horsepower than from a K&N Air Filter alone, these intake systems will make it seem like you have a different car!

**Look up the estimated horsepower gain available for your car on pages 81-146 or at [knfilters.com](http://knfilters.com)**

### **BETTER SOUND AND MORE POWER YOU CAN FEEL**

You'll smile at your car's new sound. A K&N intake system will make your car growl when under acceleration, yet stay quiet once at speed. You'll be thrilled when you feel the increased acceleration and horsepower. Plus you can feel confident knowing that your intake system is backed up by the best and largest aftermarket intake company in the World.

### **EXTEND YOUR CLEANING INTERVAL TO 100,000 MILES**

These intake systems come with oversized conical air filters that only require cleaning every 100,000 miles under normal highway driving conditions.

### **K&N MILLION MILE LIMITED WARRANTY®**

Each intake system we sell is tested for durability and power improvement. From vibration stands to dynamometers, to over the road testing, we put our intake systems through rigorous requirements so we can back them up with our Million Mile Limited Warranty.

### **STREET LEGAL IN MOST STATES**

**SOME OF THESE INTAKE SYSTEMS ARE NOT LEGAL FOR USE ON CERTAIN VEHICLES IN CALIFORNIA, OR OTHER STATES ADOPTING CA EMISSION STANDARDS.**

See our catalog or [knfilters.com](http://knfilters.com) for CARB status on each part for a specific vehicle

# AUTO & TRUCK COMPLETE AIR INTAKE SYSTEMS

## INTAKE TUBES

Improving the air path between the air filter and the engine is key to creating more horsepower. We offer two options for many vehicles. Our intake systems are available in black HDPE or aluminum tubes. Our molded polyethylene systems offer us the most flexibility in design and the best possible horsepower numbers. The aluminum tubes are polished, powder coated or anodized and offer power with a more stylish appearance. See page 82 of this catalog for a more in-depth description of intake tubes.

## EASY INSTALLATION

Our intake systems are easy to install. A typical installation can be done with a screwdriver, pliers and a ratchet set in 90 minutes or less! We specifically engineer our kits to use factory holes and mounting points, making installation simple. The vast majority of our kits do NOT require any cutting or drilling.

**The Ultimate Power Upgrade!**

**GUARANTEED HORSEPOWER**

**IMPROVED THROTTLE RESPONSE**

**K&N MILLION MILE LIMITED WARRANTY®**

**WON'T VOID FACTORY WARRANTY**

**OVER 500 SYSTEMS AVAILABLE**



Available with metal tubes or HDPE tubes for that 'O/E' look





# CLAMP-ON AIR FILTERS

## CLAMP-ON AIR FILTER SPECIFICATIONS

K&N Universal Air Filters are designed and manufactured for a wide variety of applications. Regardless of the angle, offset, or diameter of the air intake, there is probably a K&N Universal Air Filter available for your equipment. All filters are constructed with ultra-strong molded pliable rubber flanges which absorb vibration and allow for secure attachment, and can also be stretched up to 1/16" (1.5 mm) to fit in-between sizes. K&N Universal Air Filters are available in round, tapered and oval designs, for just about any special application.



**OVER 800 SIZES AVAILABLE**  
**See pages 35-54 for complete dimensions**

### POPULAR SPECIALTY AIR FILTERS

ROUND TAPERED	FLANGE ID	HEIGHT
RU-4960	2 3/4"	5 1/2"
RE-0930	3"	6"
RE-0870	4"	9"
RU-2800	5"	7"
RF-1041	6"	7 1/2"

ROUND STRAIGHT	FLANGE ID	HEIGHT
RU-0210	1 11/16"	5"
RU-0800	2 7/16"	4"
RB-0910	3"	5"
RU-2820	3"	6 1/2"

OVAL TAPERED	FLANGE ID	HEIGHT
RU-2780	2 7/16"	2 3/4"
RC-5040	3 1/2"	5 1/2"
RF-1040	4"	7 1/2"
RC-5102	4"	8 15/16"

OVAL STRAIGHT	FLANGE ID	HEIGHT
RU-1820	2"	2 3/4"
RU-1390	2 7/16"	7"
RA-0770	2 9/16"	3"
RU-3620	3 1/2"	7"

# XSTREAM® CLAMP-ON FILTERS



## XSTREAM® AIR FILTERS ARE DESIGNED FOR SERIOUS RACERS

These XStream® Air Filters take performance to the next level with innovative K&N airflow technology. The XStream Air Filter provides awesome airflow and outstanding filtration. In any form of racing, racers need all the protection and airflow they can get. K&N delivers. Two styles of XStream Air Filters are available: standard tapered or reverse tapered (top is larger diameter).



Go to page 693 for air filter cleaning accessories



RX-3810-1



RX-3770

FLANGE INSIDE DIAMETER		BASE OUTSIDE DIAMETER		TOP OUTSIDE DIAMETER		HEIGHT		FLANGE LENGTH		FLANGE TYPE	DESCRIPTION	AIR FILTER #	NOTE	FILTER WRAP PART #
INCH	MM	INCH	MM	INCH	MM	INCH	MM	INCH	MM					
2 13/32	61	4 23/32	120	3 31/32	101	3 3/4	95	3 11/32	85	Centered	Round Tapered	RX-5179		•
2 7/16	62	4	102	4	102	4 3/4	121	3/4	19	Centered	Round Straight	RX-4040-1	1	•
2 7/16	62	4 1/2	114	4	102	6 1/8	156	3	76	Angled - 20°	Round Tapered	RX-3800		RX-3820PK
2 7/16	62	4 1/2	114	4	102	6 1/8	156	7/8	22	Centered	Round Tapered	RX-3820-1	1	RX-3820PK
2 7/16	62	4 1/2	114	6	152	6 1/8	156	3	76	Angled - 20°	Reverse Tapered	RX-3770	1	RX-3810DK
2 7/16	62	4 1/2	114	6	152	6 1/8	156	7/8	22	Centered	Reverse Tapered	RX-3810-1	1	RX-3810DK
2 7/16	62	4 1/2	114	6	152	6 1/8	156	7/8	22	Centered	Reverse Tapered	RX-3810XD	2	RX-3810DK
2 1/2	64	4 1/2	114	4	102	3 13/16	97	3/4	19	Centered	Round Tapered	RX-4010		•
2 1/2	64	6	152	5	127	5 1/2	140	2	51	Centered	Round Tapered	RX-4950	1	RX-4990DK
2 1/2	64	6	152	5	127	6 1/2	165	2	51	Centered	Round Tapered	RX-4860	1	RX-4730DK
2 3/4	70	4 3/4 x 3 3/4	121 x 95	4	102	5 9/16	141	13/16	21	Centered	Oval Tapered	RX-5090	1	•
2 3/4	70	6	152	5	127	5 1/2	140	2	51	Centered	Round Tapered	RX-4960	1	RX-4990DK
2 3/4	70	6	152	5	127	6 1/2	165	2	51	Centered	Round Tapered	RX-4870		RX-4730DK
2 13/16	71	4 1/16	103	4 1/16	103	7	178	3/4	19	Centered	Round Straight	RX-5032		•
2 7/8	73	4 1/4	108	4	102	4 3/4	121	15/16	24	Centered	Round Tapered	RX-4020-1	1	•
3	76	4 1/2	114	6	152	4 5/8	117	7/8	22	Centered	Reverse Tapered	RX-3900-1	1	•
3	76	5	127	5	127	7	178	5/8	16	Centered	Round Straight	RX-2820	1, 3	22-8044PK
3	76	6	152	4	102	8 11/16	221	15/16	24	Centered	Round Tapered	RX-3990-1	1	•
3	76	6	152	5	127	5 9/16	141	1 7/8	48	Centered	Round Tapered	RX-4990	1	RX-4990DK
3	76	6	152	5	127	6 1/2	165	1 7/8	48	Centered	Round Tapered	RX-4730	1	RX-4730DK
3	76	6	152	5	127	6 1/2	165	1 7/8	48	Centered	Round Tapered	RX-4730XD	2	RX-4730DK
3	76	8 x 6	203 x 152	5	127	6 1/2	165	1 7/8	48	Centered	Oval Tapered	RX-4750	1	RF-1042DK
3 5/16	84	4 7/8	124	4	102	4 1/4	108	15/16	24	Centered	Round Tapered	RX-4120-1	1	•
3 1/2	89	4	102	4	101.6	5 3/4	146	3/4	19	Centered	Round Straight	RX-4140		RU-1470PK
3 13/16	97	6 13/16	173	6	152	2 1/8	54	3/4	19	Centered	Round Tapered	RX-4130-1	1	•

Footnotes: 1) Filter has molded-in velocity stack. 2) Extreme duty off-road filter. 3) Open style top.



# CUSTOM END CAP CLAMP-ON FILTERS

## COMPOSITE

With advanced composite technology, carbon fiber provides incredible strength with minimal weight. Carbon fiber provides 1/3 less weight than a conventional filter top. Smooth, glass like appearance provides the ultimate in finish, fit, and function.



RF-1047

FLANGE DIAMETER		BASE OUTSIDE DIAMETER		TOP OUTSIDE DIAMETER		FLANGE HEIGHT		LENGTH		DESCRIPTION	AIR FILTER #	NOTE	FILTER WRAP PART #
INCH	MM	INCH	MM	INCH	MM	INCH	MM	INCH	MM				
1 15/16	49	3	76	3	76	3	76	5/8	16	Round Straight	RP-5164		22-8008PK
1 15/16	49	3	76	3	76	4	102	5/8	16	Round Straight	RP-5119		22-8009PK
3	76	6	152	5	127	6	152	1	25	Round Tapered	RP-5044		•
3	76	6	152	5	127	6	152	1 3/4	44	Round Tapered	RF-1047		25-3900
3 3/8	86	6	152	4 1/2	114	9	229	1/2	13	Round Tapered	RP-5118		RC-3690DK
3 1/2	89	5 1/2	140	4 1/2	114	6 1/2	165	1 1/4	32	Round Tapered	RP-4630		RC-4630DK
3 1/2	89	12 x 6	305 x 152	9 15/16 x 3 15/16	252 x 100	6	152	15/16	24	Oval Tapered	RF-1038	1	•
3 7/8	98	12 x 6	305 x 152	9 15/16 x 3 15/16	253 x 100	6	152	15/16	24	Oval Tapered	RP-5070	1	•
3 7/8	98	12 x 6	305 x 152	9 15/16 x 3 15/16	254 x 100	6	152	15/16	24	Oval Tapered	RP-5115		•
3 7/8	98	12 x 6	305 x 152	9 15/16 x 3 15/16	255 x 100	7	178	15/16	24	Oval Tapered	RP-5103		RP-5103DK
4	102	5 3/8	137	4	102	5 1/16	129	5/8	16	Round Tapered	RP-4930		RP-4660DK
4	102	5 3/8	137	4	102	5 1/2	140	5/8	16	Round Tapered	RP-4660		RP-4660DK
4	102	5 3/8	137	4	102	6 1/2	165	5/8	16	Round Tapered	RP-4980		RC-5149DK
4	102	5 3/8	137	4	102	7	178	5/8	16	Round Tapered	RP-4970		22-8032PK
4 1/8	105	18 3/4 x 5	476 x 127	16 3/4 x 3	425 x 76	4 13/16	122	2	51	Oval Tapered	RP-5135		RP-5135DK
4 1/4	108	5 7/8	149	4 1/2	114	6 3/4	171	5/8	16	Round Tapered	RP-5167		RF-1037DK
4 1/2	114	5 7/8	149	4	102	6	152	5/8	16	Round Tapered	RP-5101		RU-5168DK
4 1/2	114	5 7/8	149	4 1/2	114	6	152	5/8	16	Round Tapered	RP-4740		RF-1023DK
5	127	6 1/2	165	4 1/2	114	5 5/8	143	1	25	Round Tapered	RP-5113		RU-5147DK
6	152	7 1/2	191	4 1/2	114	4	102	1	25	Round Tapered	RP-4600		22-8036PK
6	152	7 1/2	191	5	127	8	203	5/8	16	Round Tapered	RP-5143		•
8 3/4 in x 3 1/4	222 x 83	18 3/4 x 5	476 x 127	16 3/4 x 3	425 x 76	4 13/16	122	2	51	Oval Tapered	RP-5161		RP-5135DK

## INVERTED

This unique approach to filter design and concept utilizes a filtering top that actually inverts, dropping into the cylinder of the filter! Surface area is greatly increased and designed to provide more filtration than other comparably sized products. With three color options you can customize your intake to match the rest of your car.



FLANGE INSIDE DIAMETER		BASE OUTSIDE DIAMETER		TOP OUTSIDE DIAMETER		HEIGHT		FLANGE LENGTH		DESCRIPTION	COLOR	AIR FILTER #
INCH	MM	INCH	MM	INCH	MM	INCH	MM	INCH	MM			
2 3/4	70	5 7/8	149	5 1/4	133	5	127	3/4	19	Round Tapered	Red	RR-2801
2 3/4	70	5 7/8	149	5 1/4	133	5	127	3/4	19	Round Tapered	Blue	RR-2802
2 3/4	70	5 7/8	149	5 1/4	133	5	127	3/4	19	Round Tapered	Polished	RR-2803
3	76	6	152	5 1/4	133	5	127	1 3/4	44	Round Tapered	Red	RR-3001
3	76	6	152	5 1/4	133	5	127	1 3/4	44	Round Tapered	Blue	RR-3002
3	76	6	152	5 1/4	133	5	127	1 3/4	44	Round Tapered	Polished	RR-3003

## TITANIUM

When it comes to exotic race materials, titanium is well known for its lightweight and increased strength to weight ratio. Offering lighter weights than conventional filter tops and more rigidity, K&N titanium top filters are the next generation in filter design.

RT-4590



FLANGE INSIDE DIAMETER		BASE OUTSIDE DIAMETER		TOP OUTSIDE DIAMETER		HEIGHT		FLANGE LENGTH		DESCRIPTION	AIR FILTER #	FILTER WRAP PART #
INCH	MM	INCH	MM	INCH	MM	INCH	MM	INCH	MM			
4 1/2	114	5 7/8	149	4 1/2	114	5	127	5/8	16	Round Tapered	RT-4610	25-3900
6	152	7 1/2	191	4 1/2	114	4	102	1	25	Round Tapered	RT-4600	22-8036PK
6	152	7 1/2	191	4 1/2	114	5	127	1	25	Round Tapered	RT-4590	22-8049DK

Footnotes: 1) Filter top has a 1 1/8 inch vent hole.

# VENT FILTERS AND BREATHERS



## The NASCAR K&N Pro Series™

As the title sponsor of the NASCAR K&N Pro-Series East and West, K&N is once again helping to support developing drivers. This mirrors our 25 year commitment to grass-roots racing and local event sponsorship. This is the premier developmental series created by NASCAR to help drivers learn the skills they will need to be able to compete at the national event level. So if you want all the thrills and chills of NASCAR in a smaller setting, go check out a NASCAR K&N Pro-Series™ Race at one of the tracks near you.

Proud Sponsor Of The



### STEEL BASE CRANKCASE VENT FILTERS

#### ONE PIECE DESIGN FOR COMPETITION USE

Steel base crankcase vent filters have vent tubes added to their base. Filters consist of a one piece design with a rubber or chrome top. Filters with mounting studs can be mounted remotely, but require vent hoses and clamps. Filters mounted direct can be pressed into rubber grommets in valve covers. All baseplates are chrome plated and tubes are zinc.

VENT DIAMETER	2" O.D.; 1 1/2" H	3" O.D.; 2" H	2" O.D.; 1 1/2" H	3" O.D.; 2" H
	RUBBER TOP	RUBBER TOP	CHROME TOP W/STUD	CHROME TOP
3/8" O.D.	62-1000	•	62-1090	•
1/2" O.D.	62-1010	62-1050	62-1100	62-1140
1/2" O.D.	62-1015 <sup>2</sup>	•	•	•
1/2" O.D.	62-1250 <sup>1</sup>	•	62-1300 <sup>1</sup>	•
5/8" O.D.	62-1020	62-1060	62-1110	62-1150
3/4" O.D.	62-1030	62-1070	62-1120	62-1160
1" O.D.	62-1040	62-1080	62-1130	62-1170

Notes: 1) Special 3" H Filter; 2) 2" Chrome Top.



STEEL BASE/CHROME TOP

### RUBBER BASE CRANKCASE VENT FILTERS

Designed to clamp directly to metal or plastic tubing. Ideal for engines, transmissions, oil and gas tanks on racing vehicles.

FLANGE I.D.	FILTER O.D.	FILTER HEIGHT	RUBBER TOP	CHROME TOP	CARBON FIBER TOP
5/16"	1 3/8"	1 1/8"	•	62-2470	•
3/8"	2"	1 1/2"	•	62-1320	62-1570
1/2"	2"	1 1/2"	•	62-1330	•
9/16"	1 3/8"	1 1/8"	•	62-2480	•
5/8"	2"	1 1/2"	•	62-1340	•
3/4"	1 3/8"	1 1/8"	62-1560	•	•
3/4"	2"	1 1/2"	•	62-1360	•
3/4"	2"	2 1/2"	RU-3630	•	•
1"	2"	1 1/2"	•	62-1370	•
1"	3"	2 1/4"	62-1410	62-1420	•
1 1/4"	3"	2 1/2"	62-1380	62-1390	•
1 3/8"	3"	2 1/2"	62-1430	62-1440	•
1 1/2"	3"	2 1/2"	62-1450	62-1460	•
1 3/4"	3"	2 1/2"	62-1470	62-1480	•



RUBBER BASE/RUBBER TOP



RUBBER BASE//CHROME TOP

### RUBBER MOUNTING FLANGE COVERED AIR FILTERS

Designed for round intake flanges. Easy to install. Rubber flange design grips securely. The flange can be stretched to fit in between sizes. Aluminum cover is anodized for durability.

FLANGE I.D.	BONNET O.D.	ELEMENT SIZE	AIR FILTER ONLY	ASSEMBLY#
1"	4"	3 1/2" OD x 3 1/2" H	RE-0200	54-1010
1 1/4"	4"	3 1/2" OD x 3 1/2" H	RE-0220	54-1020
1 1/2"	4"	3 1/2" OD x 3 1/2" H	RE-0240	54-1030
1 3/4"	4"	3 1/2" OD x 3 1/2" H	RE-0260	54-1040
2"	4"	3 1/2" OD x 3 1/2" H	RE-0280	54-1050
2 1/2"	5"	5" OD x 2 3/4" H	RE-0380	54-1110



Assembled

These filters are legal ONLY for racing vehicles. Not applicable, nor intended for use on emission controlled street or highway vehicles, or for use on aircraft.

**CAUTION:** The use of these atmosphere vented breather systems are not recommended for computer controlled vehicles, as it will result in erratic operation and may damage an engine.



# VENT FILTERS AND BREATHERS

## CRANKCASE VENT FILTERS WITH AND WITHOUT DEFLECTOR SHIELD

Universal mounting, for a wide variety of valve covers. All shields and top plates are chrome-plated for beauty and durability.



### STYLE 1

Universal "Push-In" filter for all valve covers. Note: Not recommended to be used as an oil filter plug, as repeated removal will damage the filter.

VENT FILTER SIZE	PART#
3"OD; 2 1/2"H; 1 1/4" hole, w/shield	62-1516
3"OD; 2 1/2"H; 1 1/4" hole, w/o shield	62-1490
2"OD; 2 1/4"H; 1 1/4" hole, w/o shield	62-1485
1 1/8" FLG-OD, 9/16" FLG ID, 2"OD, 2 1/8"H	62-1230

### STYLE 4

Nylon reinforced adapter plus a 3" O.D. x 2 1/2" tall filter, with or without deflector shield. 3" tall universal mount, requires a 1 1/4" I.D. hole, and a 2" square, flat surface. Comes complete with mounting hardware.

DESCRIPTION	PART#
Without deflector shield	85-1221
With deflector shield	85-1222

### STYLE 2

Universal "Clamp-On" for valve covers with existing vent tubes. All filters are 3" O.D. with deflector shields and 2 1/2" tall.

VENT FLANGE DIAMETER	PART#
1" I.D.	62-1511
1 1/4" I.D.	62-1512
1 3/8" I.D.	62-1513
1 1/2" I.D.	62-1514
1 3/4" I.D.	62-1515

### FORD SCREW IN BREATHER

This filter is designed to screw directly into threaded Ford valve covers with 1 1/4-7 thread pitch. Filter dimensions: 3" O.D. Chrome top 1 3/4" height. Flange dimension: 1 1/4" O.D., 3/4" L.

DESCRIPTION	PART#
Ford screw in breather	62-1495

### STYLE 3

Zinc plated steel base plate with attached vent tube. Designed to push in to existing rubber breather grommets. All filters are 3" O.D. with deflector shields and 2 1/2" tall.

GROMMET SIZE	PART#
1/2" I.D.	62-1517
5/8" I.D.	62-1518
3/4" I.D.	62-1519
1" I.D.	62-1520

### NYLON REINFORCED 3" TALL VALVE COVER ADAPTERS

Requires a 1 1/2" I.D. flanged filter (purchased separately).

DESCRIPTION	PART#
Screws into Ford valve covers	85-1200
Screws into late GM valve covers	85-1210
Universal mount (see style 4)	85-1220

## TOWER BASE COVERED CRANKCASE VENT FILTER WITH MULTI-HOSE VENTS

Designed for VW and other like-size engines needing maximum crankcase breathing filtration. Saves blow-by oil while relieving crankcase pressure. K&N Air Filter stops dirt from reaching oil supply. Bottom fitting should connect to engine's lowest pressure point (such as a rocker cover). Top side fitting should connect to engine's highest pressure point (such as the crankcase).

**Cast Aluminum Tower:** Universal mount, internal oil baffles, three 3/8" NPT outlets for braided hose fittings.

**Chromed Steel Tower:** No inner baffles. Adjustable steel mounting bracket and three 1/2" vent tubes for use with rubber slip-on hose.



TOWER STYLE	TOWER DIMENSIONS	NUMBER OF OUTLETS	COVER DIAMETER & HEIGHT	ELEMENT DIAMETER & HEIGHT	REPLACEMENT ELEMENT PART#	COMPLETE ASSEMBLY PART#
Cast Aluminum	2 1/8"D x 4 3/4"H	3 - 3/8" NPT	4"OD x 3 1/2"H	3 1/2" x 3 1/2"	RE-0280	62-1400
Chromed Steel	2"D x 4"H	3 - 1/2" hose	4"OD x 3 1/2"H	3 1/2" x 3 1/2"	RE-0280	62-1210

## FLAT BASE COVERED CRANKCASE VENT FILTERS REMOTE MOUNT

Remote mount allows use of 1/2" or 3/8" ID vent hoses. Comes with satin anodized aluminum cover 4" in diameter and 3 1/2" high. Air Filter is removable for easy servicing. Includes universal type mounting bracket for bolt-on or weld-on.

NUMBER OF OUTLETS	COVER DIAMETER & HEIGHT	ELEMENT DIAMETER & HEIGHT	REPLACEMENT ELEMENT PART#	COMPLETE ASSEMBLY PART#
2 - 1/2" hose	4"OD x 3 1/2"H	3 1/2" x 3 1/2"	E-3050	62-1180
3 - 1/2" hose	4"OD x 3 1/2"H	3 1/2" x 3 1/2"	E-3050	62-1190
3 - 3/8" hose	4"OD x 3 1/2"H	3 1/2" x 3 1/2"	E-3050	62-1200

These filters are legal ONLY for racing vehicles. Not applicable, nor intended for use on emission controlled street or highway vehicles, or for use on aircraft.

**CAUTION:** The use of these atmosphere vented breather systems are not recommended for computer controlled vehicles, as it will result in erratic operation and may damage an engine.

# RACING, HOT ROD, & CUSTOM PRODUCTS



- INCREASES HIGH-FLOW FILTER AREA
- WASHABLE AND REUSABLE
- WIDE RANGE OF SIZES AND APPLICATIONS
- ALSO AVAILABLE AS A REPLACEMENT TOP FOR YOUR EXISTING ROUND FILTER



**14" ASSEMBLY**  
66-3060



Go to page 693 for air filter cleaning accessories



**16"**  
66-1601

Other colors available in 14" size only.

Assemblies come with black ring top. Blue, red, and polished tops sold separately.

K&N XStream® Air Flow Tops are innovative round filters designed to replace a metal air filter top. These filter lids add more filter area and are designed to increase horsepower and dirt capacity. XStream® top adds approximately 1" to total height of assembly.

<b>XSTREAM® AIR-FLOW TOP ONLY</b>						<b>14" ASSEMBLIES</b>					
DESCRIPTION	DIA.	FLANGE	HEIGHT	PART#	COLOR	NECK FLANGE	ELEMENT HEIGHT	ELEMENT PART#	COMPLETE ASSEMBLY	TOTAL HEIGHT**	COLOR
Top Only	9"	N/A	N/A	66-0901	Black	<b>STANDARD 9/16" RAISED BASE</b>					
Top Only	11"	N/A	N/A	66-1101	Black						
Top Only	14"	N/A	N/A	66-1401	Black						
Top Only	14"	N/A	N/A	66-1401XB	Blue						
Top Only	14"	N/A	N/A	66-1401XP	Polished						
Top Only	14"	N/A	N/A	66-1401XR	Red						
Top Only	16"	N/A	N/A	66-1601	Black						
<b>11" ASSEMBLIES</b>						<b>1 1/4" DROP BASE</b>					
NECK FLANGE	ELEMENT HEIGHT	ELEMENT PART#	COMPLETE ASSEMBLY	TOTAL HEIGHT**	COLOR	5 1/8"	3"	E-1650	66-3040	2 3/4"	Black
5 1/8"	2 3/16"	E-1200	66-3110	3 1/2"	Black	5 1/8"	4"	E-3750	66-3060	3 3/4"	Black
5 1/8"	3 1/2"	E-1250	66-3120	4 3/4"	Black	5 1/8"	5"	E-3760	66-3070	4 3/4"	Black
5 1/8"	5"	E-3680	66-3130	6 1/4"	Black	<b>7/8" DROP BASE</b>					
7 5/16"	3 1/2"	E-1250	66-3140	4 1/2"	Black	5 1/8"	3"	E-1650	66-3050	3 1/8"	Black
<b>9" ASSEMBLIES</b>						<b>DOMINATOR</b>					
NECK FLANGE	ELEMENT HEIGHT	ELEMENT PART#	COMPLETE ASSEMBLY	TOTAL HEIGHT**	COLOR	7 5/16"	4"	E-3750	66-3080	5 1/2"	Black
5 1/8"	2 7/8"	E-3530	66-3150	4 1/2"	Black	7 5/16"	5"	E-3760	66-3090	6 1/2"	Black
5 1/8"	2 7/8"	E-3530	66-3160	8 1/4"*	Black	7 5/16"	6"	E-3770	66-3100	7 1/2"	Black

Footnotes: \* Velocity stack. \*\* Total Height= minimum clearance required above carburetor flange.

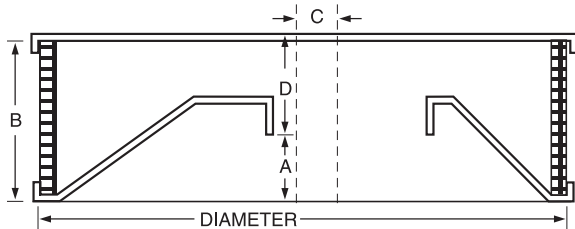


# RACING, HOT ROD, & CUSTOM PRODUCTS

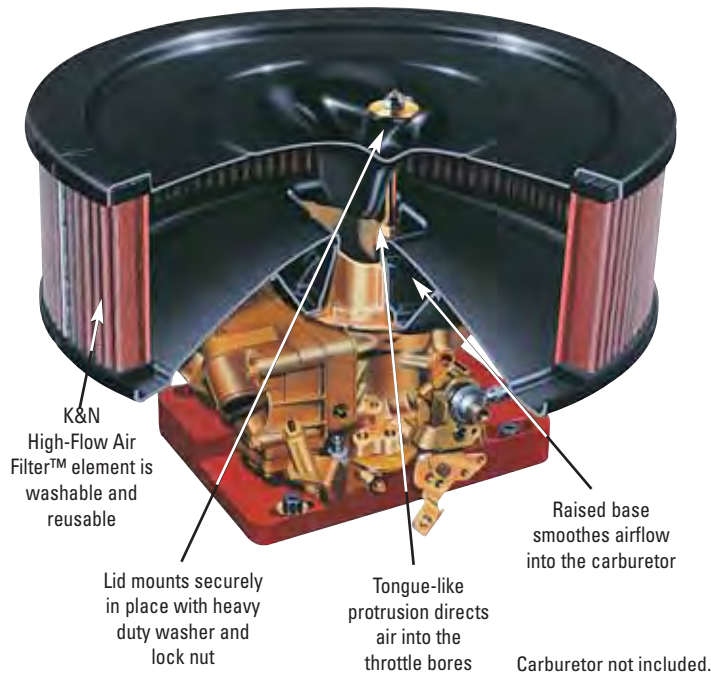
## FLOW CONTROL AIR FILTER KITS

The Flow Control Air Filter Kit utilizes a custom designed base in combination with a unique lid, featuring a tongue or protrusion, that is designed to reduce intake turbulence. The resulting smooth, laminar flow, enhances cylinder filling, horsepower, and torque. The filter element is the world famous K&N High-Flow Air Filter™ for the ultimate in airflow and filtration. This powerful combination is designed to increase horsepower. **Unless specifically noted, these will NOT fit "HP" series carburetors.**

### FLOW CONTROL DIMENSIONS



PART#	DIAMETER	DROP "A"	ELE. HT. "B"	OFF SET "C"	HT. ABOVE CARB FLG. "D"
61-2000	14"	.343	4.0	1.0	3.75
61-2010	14"	.343	4.5	1.0	4.25
61-2020	14"	1.37	4.0	1.0	2.75
61-2030	14"	1.37	4.5	1.0	3.25
61-2040	14"	.625	4.5	0	4.18
61-4000	14"	.125	4.0	0	4.25
61-4010	14"	.125	4.5	0	4.75
61-4020	14"	.156	4.0	0	4.37
61-4030	14"	.156	4.5	0	4.87
61-4040	14"	.437	4.0	0	4.00
61-4050	14"	.437	4.5	0	4.50
61-6000	14"	.500	4.5	0	4.62
61-4500	16"	1.93	3.5	0	2.12
61-4520	16"	1.93	4.0	0	2.62



### REPLACEMENT FILTER ELEMENTS

Hundreds of sizes available. See pages 56-68.

DIMENSIONS	PART#	DIMENSIONS	PART#
14" x 2.5"	E-3735	14" x 5"	E-3760 <sup>1</sup>
14" x 3"	E-3737	14" x 6"	E-3770 <sup>1</sup>
14" x 3.5"	E-3745 <sup>1</sup>	16" x 3.5"	E-3804
14" x 4"	E-3730	16" x 4"	E-3806
14" x 4.5"	E-3732	16" x 4.5"	E-3808

1) Inner Support Wire

### FLOW CONTROL FILTER CLIPS

Filter Clips are designed for added support around the outside of the complete air filter kit. Made of spring steel and black powder coated, these clips come in sets of four and are available for the Flow Control Air filter kits listed.



Comes in sets of four.

FOR 14" ASSY	PART#
14" x 4.0"	85-83890
14" x 4.5"	85-83892
FOR 16" ASSY	PART#
16" x 3.5"	85-83894
16" x 4.0"	85-83896

### DEFLECTOR SHIELDS FOR FLOW CONTROL AIR FILTER KITS

Designed to control heat and help direct airflow.

DESCRIPTION	PART#
14" x 4.0" Deflector Shield	85-54400
14" x 4.5" Deflector Shield	85-54450
16" x 3.5" Deflector Shield	85-56351
16" x 4.0" Deflector Shield	85-56401



These filters are legal ONLY for racing vehicles. Not applicable, nor intended for use on emission controlled street or highway vehicles. These filters are not applicable, nor intended for use on aircraft. **UNLESS SPECIFICALLY NOTED, THESE WILL NOT FIT "HP" SERIES CARB.**

## FLOW CONTROL: 4-BARREL HOLLEY® DOMINATOR

Specifically designed for all Holley® HP Dominator carburetors. This Flow Control Air Filter Kit takes full advantage of the 360° air delivery system by using K&N's 4 1/2" Air Filter. This air filter kit is designed to produce a whopping 1200 cfm which should be more than enough air for any motorsports application!

DESCRIPTION	SIZE	PART#
Fits Holley Dominator and HP Series Carbs	14" x 4.5"	61-6000



### XSTREAM® FLOW CONTROL AIR FILTER KITS

DESCRIPTION	FLANGE	COLOR	PART#
Flow Control for 4BI Holley®	No Choke	Black	66-3200
Flow Control for 4BI Holley®	w/ Choke	Black	66-3210
Flow Control for Holley® Dominator	All	Black	66-3220



## FLOW CONTROL: 4-BARREL HOLLEY® WITH AND WITHOUT CHOKE TOWER

The inspiration for this particular air cleaner was the 390 cfm Holley®. Many tracks and racing organizations use this carburetor as a restrictor. Flows plenty on the 390 and you can pass it all the way up to the mighty 850 and it keeps on making horsepower. Available in two sizes. Comes complete with all necessary parts.

**WITH CHOKE TOWER:** For unmodified choke towers.

DESCRIPTION	14" x 4.0"	14" x 4.5"
With choke tower, Fits 390-800	61-4020	61-4030
With choke tower, Fits 830-850	61-4040	61-4050

**WITHOUT CHOKE TOWER:**

DESCRIPTION	14" x 4.0"	14" x 4.5"
Without choke tower	61-4000	61-4010

## FLOW CONTROL: 4-BARREL HOLLEY® LOW PROFILE WITHOUT CHOKE TOWER

This air cleaner was designed for installations with the carburetor mounted high against the hood. An engine that requires 700 cfm or more to develop a certain level of power will not work with hood clearance that will only allow 450 cfm. There are race cars with less than 1/2" between the hood and the vent tubes of the carb. This model of Flow Control is as low as is recommended to assure maximum airflow. It was necessary to enlarge the diameter to 16" to maintain airflow. Fits 390-850 Holley.

DESCRIPTION	16" x 3.5"	16" x 4.0"
Low Profile w/o Choke Tower	61-4500	61-4520

Note: This model only works without the choke tower and works great with restrictor plate engines. If you're working with these engines, call K&N's customer service and get all the info. Available in two sizes. Comes with all necessary parts.

## FLOW CONTROL: 2-BARREL ROCHESTER

DESCRIPTION	SIZE	PART#
Flow Control Air Filter Kit	14" x 4.5"	61-2040

The choice of quite a few racing associations, this carburetor is used in an attempt to equalize competition. If you have to use this carburetor, you should use this air cleaner. Clears the HEI distributor on the cast iron manifold. Only one size offered because only one size works.

## FLOW CONTROL: 2-BARREL HOLLEY® WITH AND WITHOUT CHOKE TOWER

Fits the very popular 4412 Holley® 2-barrel by removing the choke assembly and leaving the choke tower untouched. The result is an increase in airflow. Two sizes available.

**WITH CHOKE TOWER:** For unmodified choke towers.

DESCRIPTION	14" x 4.0"	14" x 4.5"
With choke tower	61-2000	61-2010

**WITHOUT CHOKE TOWER:**

DESCRIPTION	14" x 4.0"	14" x 4.5"
Without choke tower	61-2020	61-2030

These filters are legal ONLY for racing vehicles. Not applicable, nor intended for use on emission controlled street or highway vehicles. These filters are not applicable, nor intended for use on aircraft. **UNLESS SPECIFICALLY NOTED, THESE WILL NOT FIT "HP" SERIES CARB.**

# RACING, HOT ROD, & CUSTOM PRODUCTS



## CARBON FIBER INJECTED STACK FILTER

Lightweight, yet durable, K&N's Carbon Fiber Injector Stack Filter is a must for any racer currently using traditional multi-Siamese stacks. Constructed from ultra-light weight carbon fiber. A Carbon Fiber Injector Stack Filter provides ample airflow for your racing needs. The base does not have any holes cut through, so it can fit most any stack configuration. Once the base has been put in place, simply slip the main filter assembly over the stacks. Supplied spring clip clamps keep the filter securely together for positive seal and ease of servicing. Extra large box. 27 3/16" L x 16 1/8" W x 6" H. **Part# 100-8580**



## CARBON FIBER AIRBOX

If maximum airflow is what you are looking for, this airbox is your ticket, flowing at 2700 CFM. K&N has constructed the base portion of this assembly from carbon fiber to fit from 2" to 2 5/8" Hilborn, Kinsler and Engler stacks. This allows you to do away with clamping a filter on to each individual ram tube. Once the base has been put in place, simply slip the main filter assembly over the stacks. Easily done and at only 3.4 lbs, this airbox will allow your vehicle's engine to breathe all the clean air it needs to make you a winner. As with all K&N filters, this is a washable and reusable air filter. Simply use our K&N oil and cleaner to service your filter.



### APPLICATIONS

### PART#

Small Carbon Fiber Box with filter top, no holes in base, fits two injectors**	100-8569*
Medium Carbon Fiber Box with filter top, no holes in base, fits four injectors**	100-8570*
Medium Carbon Fiber Box Base, no holes	100-8573
Medium Box with top/sides only	100-8575
Medium Box 4" Tall with hardware	100-8576
Large Base, Hilborn rotary injection base, with hardware	100-8574
Large Carbon Fiber Box with filter top 6 3/4" center spread**	100-8562*
Large Carbon Fiber Box with carbon top 6 3/4" center spread**	100-8563*
Large Side Filter with filter top only**	100-8564
Large Base Plate Only, holes are not pre-cut	100-8565
Large Side Filter with carbon top only**	100-8566
Large Carbon Fiber Box with filter top, no holes in base**	100-8567*
Large Carbon Fiber Box with filter top 7" center spread**	100-8568*
Large Base Plate Only with 4 1/2" c-c, holes	100-8571
Large Base Plate Only 12 5/8" x 17 3/4", no rubber or holes	100-8590
Large Box 4" Tall with hardware	100-8591



## PRECHARGERS®

BOX SIZE	BLACK	RED	BLUE	YELLOW
Small	100-8569PK	100-8569PR	•	100-8569PY
Medium	100-8570PK	100-8570PR	•	100-8570PY
Large	100-8562PK	100-8562PR	100-8562PL	100-8562PY

\*Complete units, base plate, side filter and top

\*\*Side filter is glued to top on all units



## INDIVIDUAL ROUND STYLE STACKS

### “EARLY TYPE” FUEL INJECTORS (SINGLE STACKS) FOR CHEVROLET, ETC.

Filters designed to fit with cut velocity stacks, or straight pieces of exhaust tubing. Rubber filter bases come with molded in velocity stack type radius and step, for smooth bore down from element to tube. Each filter has a rubber top with a stamped K&N logo.

AIR FILTER MOUNTING FLANGE INSIDE DIA.	INJECTOR BORE SIZE INSIDE DIA.	AIR FILTER DIA. X LENGTH IN INCHES	STRAIGHT NECK MOUNTING FLANGE PART#	5° ANGLE NECK MOUNTING FLANGE PART#
1 7/8" (47.5mm)	1 13/16" (46mm)	3 1/2 x 4	RD-0450	N/A
		3 1/2 x 5	RD-0460	N/A
		3 1/2 x 6	RD-0470	N/A
2 1/8" (54mm)	2 1/16" (52.5mm)	3 1/2 x 4	RD-0500	RB-0500
		3 1/2 x 5	RD-0510	RB-0510
		3 1/2 x 6	RD-0520	RB-0520
2 1/4" (57mm)	2 3/16" (55.5mm)	3 1/2 x 4	RD-0600	RB-0600
		3 1/2 x 5	RD-0610	RB-0610
		3 1/2 x 6	RD-0620	RB-0620
2 1/2" (63.5mm)	2 7/16" (62mm)	3 1/2 x 4	RD-0700	RB-0700
		3 1/2 x 5	RD-0710	RB-0710
		3 1/2 x 6	RD-0720	RB-0720
2 5/8" (66.5mm)	2 9/16" (65mm)	4 x 4	N/A	RB-0800
		4 x 5	N/A	RB-0810
		4 1/2 x 4	N/A	RB-0900
3" (76mm)	2 15/16" (74.5mm)	4 1/2 x 4	N/A	RB-0910
		4 1/2 x 5	N/A	RB-0910



RD-0620

Each filter sold individually.



Go to page 693 for air filter cleaning accessories

### KINSLER NON-SIAMESED FUEL INJECTOR STACKS

Round filters fit uncut ram tube bells and clamp securely to the lip. Will fit any injection setup that has a minimum of 4 1/4" center to center, and parallel ram tubes. Each filter has a rubber top with a stamped K&N logo.

RAM TUBE	FILTER SIZE	INJECTOR MODEL#	PART# SINGLE
3 7/8"	4 1/4" B, 4" T, 6" H	N/A	RD-6000
3 5/8"	4" B, 3 3/4" T, 6" H	"351-F-8"	RD-6010
3 7/8"	4 1/4" B, 3 1/2" T, 4 1/4" H	N/A	RD-6020



RD-6000

Each filter sold individually.

### HILBORN 4, INJECTORS FITTED TO HONDA & KAWASAKI ENGINES IN T.Q. MIDGETS

Air filters designed to fit over stock, uncut ram tubes. Filters come complete with rubber mounting adapters. To install, fit rubber adapters around ram tube bases and fit filters over ram tubes and clamp onto adapters in desired position. Air filters come with chrome end caps. Fits #45-K-4A and #45-H-4B Hilborn injectors and are packaged in sets of four. Filters measure 3" O.D. x 6"L and fit 1 1/2" Ram Tubes. Part# RD-1004



### HILBORN INJECTORS FOR BLOWERS & TURBOS

Air filters designed to fit over stock, uncut ram tube. Filter comes complete with rubber mounting adapter. To install, fit rubber adapter around ram tube base. On early screw-on ram tube type, cut adapter with razor blade and wrap around tube. Fit filter over ram tube and clamp onto adapter in desired position. Air filters come with chrome end caps.

DESCRIPTION	PART#
Hilborn Injector #525, for Magnuson Super Chargers. Used on American V-Twin and V.W. blown engines. Filter fits 2 1/8" ram tube. Measures 6" dia. top, 5 1/2" dia. base, 6" long	RD-1100
Hilborn Injector #523, for 60 c.i. Magnuson Blower Head. Filter fits 2 1/2" ram tube. Measures 7" dia. top, 7" dia. base, 6" long	RD-1200
Hilborn Injector #524, for 80 c.i. Magnuson Blower Head. Filter fits 3" ram tube. Measures 7" dia., 6" long	RD-1300
Hilborn Injector #F414A, for Turbocharged tractor, air filter clamps over 4" lip on cast ram tube. Air filter measures 7" dia., 6" long	RD-1400 <sup>1</sup>
Hilborn Injector #F414A, for Turbocharged tractor, air filter clamps over 4" lip on cast ram tube. Air filter measures 7" dia., 8" long	RD-1410 <sup>1</sup>

Footnote: 1) Rubber mounting adapter not required. Filter mounts directly to injector.



RD-1400

These filters are legal ONLY for racing vehicles. Not applicable, nor intended for use on emission controlled street or highway vehicles. These filters are not applicable, nor intended for use on aircraft.

# RACING, HOT ROD, & CUSTOM PRODUCTS

## DUAL OVAL STYLE STACKS

### “LATE TYPE” HILBORN SIAMESE STACKS

Filters are designed to be used with stock, uncut, siamesed ram tubes. Comes with removable aluminum top plate. To install, push Ram Tubes through rubber base and clamp at desired height. Oval top plate measures 9”L x 5 1/2”W, total height is 6 3/4”.

INJECTOR TUBE OUTSIDE DIAMETER	INJECTOR INSIDE DIAMETER	INJECTOR MODEL#	CENTER TO CENTER MEASUREMENT OF BORES	PART#
2 1/8" (54mm)	2 1/16" (52.5mm)	"R"	2.44"	RD-4200
2 1/4" (57mm)	2 3/16" (55.5mm)	"Q"	2.44"	RD-4400
2 1/2" (63.5mm)	2 7/16" (62mm)	"P"	2.70"	RD-4600**
2 5/8" (66.5mm)	2 1/2" (63.5mm)	"327-C-84"	2.70"	RD-4650
2 3/4" (70mm)	2 5/8" (66.5mm)	"327-C-8"	2.87"	RD-4669***
3" (76mm)	2 15/16" (74.5mm)	"F"	3.20"	RD-4800
3 1/8" (79.4mm)	3" (76mm)	"396-C-8M"	3.20"	RD-4850

\*\*Adapter kit needed to convert air cleaner when equipped with 2 1/4" restrictor stacks (Part# 85-4600, kit includes 8 adapters).

\*\*\*Packaged four per box. When ordering singles specify Part# RD-4660 right side or Part# RD-4670 left side.



RD-4600\*

### KINSLER-SIAMESE STACKS

Air filters are designed for use with the Kinsler fuel injection system for Pontiac and Chevrolet small block V8. Air filters come with removable top plate, to install, push injector tubes through rubber base and clamp at desired height. Oval top plate is 9”L x 5 1/2”W. Total height of air filter is 6 3/4”.

INJECTOR TUBE OUTSIDE DIAMETER	INJECTOR INSIDE DIAMETER	INJECTOR MODEL#	CENTER TO CENTER MEASUREMENT OF BORES	PART#
2 5/16" (58mm)	2 3/16" (55.5mm)	N/A	2.80"	RD-5000
2 3/8" (58mm)	2 1/4" (57mm)	N/A	2.80"	RD-5000
2 9/16" (65mm)	2 7/16" (62mm)	N/A	2.80"	RD-5010
2 5/8" (66.5mm)	2 1/2" (63.5mm)	N/A	2.80"	RD-5020



RD-5020\*

### “LATE TYPE” HILBORN AND OTHER INJECTORS FOR VW AIR-COOLED ENGINES

Air filters designed to fit over stock, uncut ram tubes. Comes with removable aluminum top plate. To install, push ram tubes through rubber base and clamp at desired height. Oval top plate measures 9”L x 5 1/2”W, total height is 6 3/4”.

AIR CLEANER MOUNTING FLANGE INSIDE DIAMETER	INJECTOR BORE SIZE INSIDE DIAMETER	HILBORN MODEL#	CENTER TO CENTER MEASUREMENT OF BORES	PART#
1 3/4" (44.5mm)	1 11/16" (43mm)	#1600 V-4	3.312"	RD-3400
1 7/8" (48mm)	1 13/16" (46mm)	31600 V-4B	3.312"	RD-3500
2 1/8" (54mm)	2 1/16" (52.5mm)	#2000 V-4	3.375"	RD-3600
1 3/4" (44.5mm)	1 11/16" (43mm)	ARPM Rotary F/1	2.700"	RD-4900



RD-3400\*

### “EARLY TYPE” HILBORN AND OTHER INJECTORS FOR VW AIR-COOLED ENGINES

Air filters designed to fit over stock, uncut ram tubes. Fits early type tubes with right angle mounting flange, held on with four screws. Cleaners come complete with rubber mounting adapters. To install, cut adapter with a razor blade and wrap around ram tube. Drop one-piece filter over ram tubes and clamp onto adapters in desired position. Oval top plate measures 9”L x 5 1/2”W, total filter height is 6 3/4”. Part# RD-3200

AIR CLEANER MOUNTING FLANGE INSIDE DIAMETER	INJECTOR BORE SIZE INSIDE DIAMETER	HILBORN MODEL#	CENTER TO CENTER MEASUREMENT OF BORES	PART#
1 3/4" (44.5mm)	1 11/16" (43mm)	(Early) 1600 V-4	3.312"	RD-3200



These filters are legal ONLY for racing vehicles. Not applicable, nor intended for use on emission controlled street or highway vehicles.

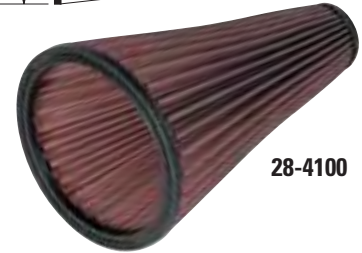
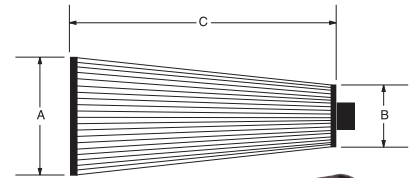
These filters are not applicable, nor intended for use on aircraft.

\*Each filter sold individually.

## RACING CONE FILTERS

Designed for Formula Atlantic and Super Vee style cars, these filters fit into the air scoops and allow plenty of fresh clean air to enter the engine, but keep racetrack debris from demolishing the engine. A hole at the small end of the filter allows debris to exit the air scoop. Designed for the vehicles listed below, but can probably be adapted to a wide variety of applications.

APPLICATION	A	B	C	PART#
Lola Sports 2000	5 7/8"	2"	10"	28-4100
Vestal Racing Cars	5 7/8"	2"	8"	28-4105
Tiga Sport 2000	5 1/2"	2"	16"	28-4115
83-85 Tiga Sport 2000	6 1/8"	3"	16"	28-4120
Ralt Formula Atlantic, Super Vee	4 7/8"	2"	16"	28-4125
Swift Sport 2000	5 3/4"	2"	16"	28-4130
Extension for 28-4130	8"	4 7/8"	11 5/8"	28-4131



## DRAG RACING SCOOP FILTERS

Engineered with two filter elements to provide maximum airflow and protection. Designed to fit specific scoop designs. Mount inside the front lip of the scoop with Dzus fasteners.

DESCRIPTION	PART#
Harwood 3158 Scoop Filter	28-4165
Harwood 3153 Scoop Filter	28-4135
Harwood 3160, 3161, 3164, 3166 Scoop Filter	28-4145
Harwood 3160, 3161, 3164, 3166 SHORT Scoop Filter	28-4150
Harwood 3152 Scoop Filter	28-4155
Harwood 3182 Scoop Filter	28-4180
Quarter-Max RJF1 Scoop Filter	28-4140
Quarter-Max RJF1 SHORT Scoop Filter	28-4185
Don Davis Scoop Filter 10" depth	28-4195
Don Davis Scoop Filter 6" depth	28-4200
K&N Hood Scoop Filter, Fits 100-8505	28-4165
K&N Hood Scoops Filter, 100-8506 and 100-8508	28-4210



## PRO STOCK COMPOSITE HOOD SCOOP

Created through CFD (computational fluid dynamics) and SolidWorks (CAD software) for a low drag design which resulted in 18-lb decrease in drag. Each hood scoop is made of carbon fiber and was designed to fit Pro Stock, Super Stock, Super Gas, Top Sportsman and Pro Mod cars.

DESCRIPTION	PART#
50 sq. inch, D-Shaped Opening, 10" Height	100-8506
50 sq. inch, D-Shaped Opening, 11" Height	100-8508
Inner Hood Scoop Pan: 7.25" Dominator Carb	100-8509
Inner Hood Scoop Pan: 8.00" Braswell Carb	100-8510
Carbon Fiber Inner Scoop Liner Set	100-8511



100-8508



100-8512

## COMPOSITE DRAGSTER SCOOP

This intake scoop has been designed with the latest technology available by taking the air principles and the cosmetic appeal of carbon fiber to produce this attractive air scoop. Height= 20", Length= 33", Opening (oval)= 5.5" x 4.5".

DESCRIPTION	PART#
Scoop and Pan, 25 sq. inch opening	100-8503
Standard Holley® 4 BBL Filter Assembly, Scoop and Base	100-8504
Holley® Dominator Air Filter Assembly, Scoop and Base	100-8505
Gen 2 Scoop and Pan, 50 sq. inch opening	100-8512



100-8503



# RACING, HOT ROD, & CUSTOM PRODUCTS

## OFF-ROAD FILTERS

These off-road filters are designed to provide an outstanding combination of filtration and performance. Designed to achieve high, virtually unrestricted airflow while maintaining filtration levels critical to your engine.



DESCRIPTION	PART#
Covered Round Assembly with 3" outlet. Aluminum cover allows extra protection for filter element. Filter size 9" Dia. by 3" tall.	<b>55-1120</b>
Replacement Element	<b>E-3600</b>



  
Go to page 693 for air filter cleaning accessories

DESCRIPTION	PART#
Fits inside the UMP Off-Road Air Box with 3" outlet	<b>55-1000</b>
Fits inside the UMP Off-Road Air Box with 4" outlet	<b>55-1001</b>
Both include sealing grease and DryCharger®.	



## VW SOLEX CARB WITH 2 1/16" MOUNTING FLANGE

FLANGE I.D.	FILTER DIMENSIONS	FILTER HEIGHT	RUBBER PART#	CHROME PART#
<b>ROUND CENTER MOUNT</b>				
2 1/16"	3 1/2"	4"	<b>RA-0500</b>	<b>RA-050V</b>
2 1/16"	3 1/2"	5"	<b>RA-0510</b>	N/A
2 1/16"	3 1/2"	6"	<b>RA-0520</b>	N/A
2 1/16"	4 1/2"	4"	<b>RA-0530</b>	N/A
2 1/16"	4 1/2"	5"	<b>RA-0540</b>	N/A
2 1/16"	5 1/2"	2"	<b>RA-0550*</b>	<b>RA-055V*</b>
2 1/16"	5 1/2"	3"	<b>RA-0560*</b>	<b>RA-056V*</b>
2 1/16"	5 1/2"	4"	<b>RA-0570*</b>	<b>RA-057V*</b>
2 1/16"	5 1/2"	5"	<b>RA-0580*</b>	<b>RA-058V*</b>
<b>ROUND OFFSET MOUNT</b>				
2 1/16"	6"	2"	<b>RA-0450*</b>	<b>RA-045V*</b>
2 1/16"	6"	3"	<b>RA-0460*</b>	<b>RA-046V*</b>
2 1/16"	6"	4"	<b>RA-0470*</b>	<b>RA-047V*</b>
<b>OVAL OFFSET MOUNT</b>				
2 1/16"	4 1/2" x 7"	1 1/2"	<b>RA-0700*</b>	<b>RA-070V*</b>
2 1/16"	4 1/2" x 7"	2"	<b>RA-0710*</b>	<b>RA-071V*</b>
2 1/16"	4 1/2" x 7"	3"	<b>RA-0720*</b>	<b>RA-072V*</b>

## FOR RACING VEHICLES USING VW ENGINES

Universal air filter designed for 2 1/16" VW Solex and 2 9/16" Zenith-Holley carburetors. One piece construction with a strong rubber base and flange that clamps directly to the carburetor. Some units have 1/2" vent kits included, for easy installation of vent hoses. Choice of show quality chrome or rubber top. Chrome adds a touch of class, rubber is great for rugged off-road use. Three shapes or styles and numerous heights available - see listings below.

## ZENITH-HOLLEY CARB WITH 2 9/16" MOUNTING FLANGE

FLANGE I.D.	FILTER DIMENSIONS	FILTER HEIGHT	RUBBER PART#	CHROME PART#
<b>ROUND CENTER MOUNT</b>				
2 9/16"	4 1/2"	4"	<b>RA-0600</b>	N/A
2 9/16"	4 1/2"	5"	<b>RA-0610</b>	N/A
2 9/16"	5 1/2"	2"	<b>RA-0620*</b>	<b>RA-062V*</b>
2 9/16"	5 1/2"	3"	<b>RA-0630*</b>	<b>RA-063V*</b>
2 9/16"	5 1/2"	4"	<b>RA-0640*</b>	N/A
2 9/16"	5 1/2"	5"	<b>RA-0650*</b>	N/A
<b>ROUND OFFSET MOUNT</b>				
2 9/16"	6"	2"	<b>RA-0660*</b>	<b>RA-066V*</b>
2 9/16"	6"	3"	<b>RA-0670*</b>	<b>RA-067V*</b>
2 9/16"	6"	4"	<b>RA-0680*</b>	<b>RA-068V*</b>
<b>OVAL OFFSET MOUNT</b>				
2 9/16"	4 1/2" x 7"	1 1/2"	<b>RA-0750*</b>	<b>RA-075V*</b>
2 9/16"	4 1/2" x 7"	2"	<b>RA-0760*</b>	<b>RA-076V*</b>
2 9/16"	4 1/2" x 7"	3"	<b>RA-0770*</b>	<b>RA-077V*</b>

\*1/2" vent comes as standard equipment.

These filters are legal ONLY for racing vehicles. Not applicable, nor intended for use on emission controlled street or highway vehicles. These filters are not applicable, nor intended for use on aircraft.

# RACING, HOT ROD, & CUSTOM PRODUCTS



Fit single 5 1/8" flange carburetors.

## FLAMED DESIGN

DESCRIPTION	DIMENSIONS*	PART#
Large Oval	15" x 8 1/4" x 3" h	66-1470
	15" x 8 1/4" x 5" h	66-1460
Small Oval	11 7/8" x 8 3/8" x 3" h	66-1530
	11 7/8" x 8 3/8" x 5" h	66-1520

## SCALLOPED DESIGN

DESCRIPTION	DIMENSIONS*	PART#
Large Oval	15" x 8 1/4" x 3" h	66-1490
	15" x 8 1/4" x 5" h	66-1480
Small Oval	11 7/8" x 8 3/8" x 3" h	66-1550
	11 7/8" x 8 3/8" x 5" h	66-1540

## ELECTRIC DESIGN

DESCRIPTION	DIMENSIONS*	PART#
Large Oval	15" x 8 1/4" x 3" h	66-1510
	15" x 8 1/4" x 5" h	66-1500
Small Oval	11 7/8" x 8 3/8" x 3" h	66-1570
	11 7/8" x 8 3/8" x 5" h	66-1560

\* Complete Assembly Dimensions



FLAMED



SCALLOPED



ELECTRIC

## REPLACEMENT ELEMENTS

DESCRIPTION	ELEMENT HEIGHT	PART#
For Large Oval Assemblies	2"	E-3515
	4"	E-3514
For Small Oval Assemblies	2"	E-3505
	4"	E-3504

## BILLET ALUMINUM SPOKED LIDS

These 14" assemblies feature a billet aluminum spoked lid with a carbon fiber insert and include our popular 3" tall E-1650 element. Both fit 5 1/8" carburetor flanges and are available with either 1 1/4" drop base or standard 9/16" raised base.



### 5 SPOKE ROUND DESIGN

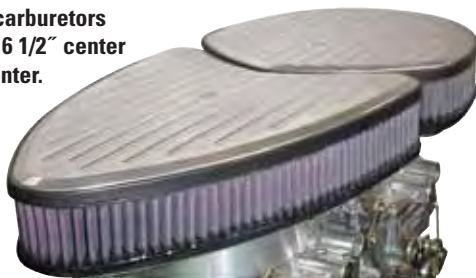
DESCRIPTION	PART#
5 Spoke with 1 1/4" drop base; 2 3/4" total height	66-5090
5 Spoke with standard 9/16" raised base; 4 5/8" total height	66-5100
5 Spoke Top Plate	85-6848



### 10 SPOKE ROUND DESIGN

DESCRIPTION	PART#
10 Spoke with 1 1/4" drop base; 2 3/4" total height	66-5110
10 Spoke with standard 9/16" raised base; 4 5/8" total height	66-5120
10 Spoke Top Plate	85-6850

Fits carburetors with 6 1/2" center to center.



## DUAL QUAD

DESCRIPTION	PART#
Dual Quad Assembly (Arrow & Oval)	66-5080
Dual Quad Arrow Assembly	66-5080F
Dual Quad Oval Assembly	66-5080R

# RACING, HOT ROD, & CUSTOM PRODUCTS

## 14-INCH DROP BASE AIR FILTER KITS - CHROME

Race ready low profile air cleaner. Drops filter 7/8" or 1 1/4" below carburetor flange. 5 1/8" flange fits most 4 barrel carburetors (all four element heights fit a wide variety of applications). Note: 7/8" drop will fit carburetors with electric choke mechanisms.

NECK FLANGE	ELEMENT HEIGHT	ELEMENT	COMPLETE ASSY.	TOTAL HEIGHT**
<b>1 1/4" DROP BASE</b>				
5 1/8"	3"	E-1650	60-1280 <sup>*.2</sup>	2.75"
5 1/8"	4"	E-3750	60-1290 <sup>*.2</sup>	3.75"
5 1/8"	5"	E-3760	60-1300 <sup>*.2</sup>	4.75"
5 1/8"	6"	E-3770	60-1310 <sup>2</sup>	5.75"
<b>7/8" DROP BASE</b>				
5 1/8"	3"	E-1650	60-1430 <sup>2</sup>	3.12"
5 1/8"	4"	E-3750	60-1440 <sup>2</sup>	4.12"
5 1/8"	5"	E-3760	60-1450 <sup>2</sup>	5.12"
5 1/8"	6"	E-3770	60-1460 <sup>2</sup>	6.12"



\*Will not fit Edelbrock carbs with electric choke.

## 14-INCH AIR FILTER KITS - CHROME

Popular 14" chrome racing style filter kit. Raises element 9/16" above carburetor flange. 5 1/8" flange fits most 4 barrel carburetors. Four element heights to fit a wide variety of applications. Will clear HEI distributors.

NECK FLANGE	ELEMENT HEIGHT	ELEMENT	COMPLETE ASSEMBLY	TOTAL HEIGHT**
5 1/8"	2 5/16"	E-3740	60-1263 <sup>1</sup>	3.87"
5 1/8"	3"	E-1650	60-1264 <sup>1</sup>	4.62"
5 1/8"	4"	E-3750	60-1260 <sup>1</sup>	5.62"
5 1/8"	5"	E-3760	60-1270 <sup>1</sup>	6.62"



## 11, 14 & 16-INCH DOMINATOR AIR FILTER KITS - CHROME

These K&N 11", 14" & 16" outer diameter race-ready air cleaners can flow the amount of air required for the Holley® Dominator carburetors. 11" & 14" have 7 5/16" flange base and a 3/4" rise velocity stack. 16" has 1" drop base.

NECK FLANGE	ELEMENT HEIGHT	ELEMENT	COMPLETE ASSEMBLY	TOTAL HEIGHT**
<b>11" OD AIR FILTER</b>				
7 5/16"	3 1/2"	E-1250	60-1230	4.50"
7 5/16"	5"	E-3680	60-1240	6.00"
7 5/16"	6"	E-3690	60-1250	7.00"
<b>14" OD AIR FILTER</b>				
7 5/16"	4"	E-3750	60-1235 <sup>5</sup>	5.50"
7 5/16"	5"	E-3760	60-1245 <sup>5</sup>	6.50"
7 5/16"	6"	E-3770	60-1255 <sup>5</sup>	7.50"
<b>16" OD AIR FILTER</b>				
7 5/16"	3 1/2"	E-3804 <sup>4</sup>	60-1640 <sup>7</sup>	3.25"



## 11-INCH AIR FILTER KITS - CHROME

The perfect application for when space is a premium, yet high performance is required. Base is available in three (3) flange sizes and various heights to fit a wide variety of applications.

NECK FLANGE	ELEMENT HEIGHT	ELEMENT	COMPLETE ASSEMBLY	TOTAL HEIGHT**
2 5/8"	2 1/8"	E-1200	60-1130 <sup>3,6</sup>	3.12"
2 5/8"	3 1/2"	E-1250	60-1140 <sup>3,6</sup>	4.50"
5 1/8"	2 1/8"	E-1200	60-1170 <sup>4,6</sup>	3.12"
5 1/8"	2 3/16"	E-1200	60-1150 <sup>6</sup>	3.37"
5 1/8"	3 1/2"	E-1250	60-1180 <sup>4</sup>	4.75"
5 1/8"	5"	E-3680	60-1190 <sup>6</sup>	6.00"
5 1/8"	5"	E-3680	60-1200 <sup>4,6</sup>	6.00"
5 1/8"	6"	E-3690	60-1210 <sup>4,6</sup>	7.00"
5 1/8"	6"	E-3690	60-1220 <sup>6</sup>	7.00"



Footnotes: \*\* Total Height= minimum clearance required above carburetor flange. 1) Includes vent kit; 2) Vent kit available, Part# 85-1190; 3) 1/2" vent tube on base; 4) 3/4" vent tube on base; 5) Top is chrome & Base is Hi-Temp nylon; 6) Stainless Steel top & chrome base; 7) 16" diameter. WILL NOT FIT "HP" SERIES CARB.



# RACING, HOT ROD, & CUSTOM PRODUCTS

## 9-INCH AIR FILTER KITS - CHROME

The ideal K&N Air Filter Kit when space is a problem. Five flange sizes and various heights assure a wide number of applications. Can be mounted on most dual carb setups. Polished stainless steel construction for top and base plates.

NECK FLANGE	ELEMENT HEIGHT	ELEMENT	COMPLETE ASSEMBLY	TOTAL HEIGHT**
2 5/8"	2"	E-3527	60-1070 <sup>1</sup>	3.37"
2 5/8"	2 7/8"	E-3530	60-1080 <sup>1</sup>	4.12"
3 1/16"	2 7/8"	E-3530	60-1090 <sup>1</sup>	4.12"
4 7/32"	2 7/8"	E-3530	60-1100 <sup>1</sup>	4.12"
5 1/8"	2"	E-3527	60-1110 <sup>1</sup>	3.37"
5 1/8"	2 7/8"	E-3530	60-1120 <sup>1</sup>	4.12"
5 1/8"	5"	E-3650	60-1365 <sup>1</sup>	6.37"
7 5/16"	2 7/8"	E-3530	60-1370	4.12"
7 5/16"	5"	E-3650	60-1366	6.37"



## 7-INCH AIR FILTER KITS - CHROME

Ideal for that quality show car image. Four flange sizes to fit nearly all carburetors, even 5 1/8" flange 4 barrels.

NECK FLANGE	ELEMENT HEIGHT	ELEMENT	COMPLETE ASSEMBLY	TOTAL HEIGHT**
2 5/16"	2"	E-3360	60-1010 <sup>3</sup>	3.06"
2 5/16"	3"	E-3380	60-1020 <sup>3</sup>	4.06"
2 5/8"	2"	E-3360	60-1030 <sup>3</sup>	3.12"
2 5/8"	3"	E-3380	60-1040 <sup>3</sup>	4.12"
3 1/16"	2"	E-3360	60-1050 <sup>3</sup>	3.12"
5 1/8"	2"	E-3402	60-1320	2.93"
5 1/8"	3"	E-3403	60-1330	3.93"



## 9-INCH TALL VELOCITY STACK AIR FILTER KITS - STAINLESS STEEL

Open 360° free breathing 9" air filter element on top of a 5" high stainless steel velocity stack base. Draws in cooler air away from engine heat. Engines equipped with the K&N Tall Velocity Stack Air Filter can produce more horsepower than those with no filter at all. All stainless steel tops and bases, highly polished to a mirror finish. Available with 5 1/8" flange to fit Holley®, Carter, or Rochester carburetors. Also available with 7 5/16" flange to fit Holley® Dominator carburetors. Choice of two element heights assures proper airflow for virtually any engine. Note: These K&N assemblies are not U.S. Coast Guard approved for use as a flame arrestor.

NECK FLANGE	ELEMENT HEIGHT	ELEMENT	COMPLETE ASSEMBLY	TOTAL HEIGHT**
5 1/8"	2 7/8"	E-3530	58-1190	8.25"
5 1/8"	5"	E-3650	58-1191	10.50"
7 5/16"	2 7/8"	E-3530	58-1200	8.25"
7 5/16"	5"	E-3650	58-1210	10.50"



## 14-INCH TRIANGLE AIR FILTER KIT - CHROME

K&N's custom chrome triangle filter kit is designed to make any engine compartment come to life. This triangle filter kit comes with a 3" high K&N Air Filter, has smooth radius corners and fits most carburetors with 5 1/8" flange.

NECK FLANGE	ELEMENT HEIGHT	ELEMENT	COMPLETE ASSEMBLY	TOTAL HEIGHT**
5 1/8"	3"	E-3737	60-1470	3.62"



Footnotes: \*\* Total Height = minimum clearance required above carburetor flange. 1) Includes vent kit; 2) Vent kit available, Part# 85-1190; 3) 1/2 vent tube on base; 4) 3/4" vent tube on base; 5) Top is chrome & Base is Hi-Temp nylon; 6) Stainless Steel top & chrome base; 7) 16" diameter.

These filters are legal ONLY for racing vehicles. Not applicable, nor intended for use on emission controlled street or highway vehicles. These filters are not applicable, nor intended for use on aircraft. **WILL NOT FIT "HP" SERIES CARB.**

# RACING, HOT ROD, & CUSTOM PRODUCTS

## NOSTALGIA AIR FILTER KITS

These custom air cleaner filter kits are designed for use on nostalgia engines. They incorporate our famous K&N Air Filters and are designed to provide more airflow than other air filter kits of this type. Available in 4 different styles.

### FOUR-INCH CHROME TOP OPEN SIDES

Round open style air filter kits fit nearly all early model carburetor's with 2 3/16" or 2 5/8" flange diameter. Assemblies are 4" in diameter and measure 3" from base to the top of the wingnut.



DESCRIPTION	PART#
Single Assembly	60-0400
3 Complete Assemblies	60-0403
Single Replacement Element for 60-0400	E-3120

### FOUR-INCH LOUVERED CHROME BONNET

Louvered Bonnet air filter kits have a 4" O.D. base with a 2 5/8" flange and 2 3/16" flange adapter. The 4 5/8" O.D. Bonnet measures 3" total height\*\*.



DESCRIPTION	PART#
Single Assembly	60-0500
3 Complete Assemblies	60-0503

\*\* Total Height= minimum clearance required above carburetor flange

### PONTIAC TRI-POWER AIR CLEANERS - CHROME

Designed for Pontiac 389, 400, 421 and 428 engines equipped with Tri-Power. Available in two flange sizes 2 5/8" and 3 1/16". Some mounting flange sizes vary by model year. Make sure to measure before ordering.



DESCRIPTION	PART#
Single Assembly- 2 5/8"	60-1331
Single Assembly - 3 1/16"	60-1340
3 Complete Assemblies 2 5/8"	60-1333
One 2 5/8" + Two 3 1/16" Assemblies	60-1350
Single Replacement Element for all air filter kits	E-3200

### FOUR-INCH FINNED ALUMINUM TOP FILTERS

Round one-piece filters are molded into the aluminum base and finned top and have an "as cast" finish that can be painted, polished or left as is. They fit carburetors with a 2 5/8" flange diameter and are held in one place with a setscrew. These filters are 4" in diameter and measure 2 3/4" in length from base of flange to top.

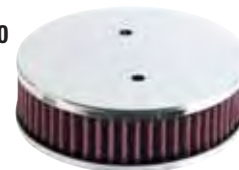


DESCRIPTION	PART#
Single Assembly	60-0410
3 Complete Assemblies	60-0413

## CUSTOM AIR FILTERS FOR SINGLE OR TWO BARREL CARBURETORS

Designed to allow the maximum performance from your carburetors, K&N Custom Air Filter kits keep the dirt on the outside where it belongs. Show quality and ideal for racing vehicles, these air filter kits come with custom chrome top and base plates and a famous K&N High-Flow Air Filter™. All air filter kits are convenient to clean and service.

56-1390



APPLICATION	FILTER STYLE	OUTSIDE DIMENSION	HEIGHT	ELEMENT PART#	NOTE	ASSEMBLY PART#
Autolite 32/36 (2bbl.)	DDO	5 1/2" x 9"	1 3/4"	E-3441	3	56-1010
	DDO	5 1/2" X 9"	3 1/4"	E-3461	2, 3	56-1020
Dellorto DHLA - 40, 45, 48	SDO	4 1/2" x 7"	1 3/4"	E-3321	12	56-1310
	SDO	4 1/2" x 7"	3 1/4"	E-3341	•	56-1320
Dellorto DRLA - 36, 40, 45, 48	DDO	5 1/2" x 9"	1 3/4"	E-3441	12	56-1330
	DDO	4 1/2" x 7"	1 3/4"	E-3321	12	56-1690
Fomoco 32/36 (2bbl.)	DDO	4 1/2" x 7"	3 1/4"	E-3341	•	56-1691
	DDO	5 1/2" x 9"	3 1/4"	E-3461	•	56-1693
	DDO	5 1/2" x 9"	1 3/4"	E-3441	3	56-1010
Hitachi (73-74 Datsun 240, 260Z)	DDO	5 1/2" x 9"	3 1/4"	E-3461	2, 3	56-1020
	SDR	5 7/8"	3 1/4"	E-3190	1, 11	56-1430
Hitachi	SDR	5 7/8"	2 1/4"	E-9143	•	56-9138
Holley 5200 w/EFC	DDO	4 1/2" x 7"	1 3/4"	E-3315	3, 4	56-1025
	DDO	4 1/2" x 7"	3 1/4"	E-3317	3, 4	56-1027
ISO (70-72 Datsun 240Z)	SDR	5 7/8"	3 1/4"	E-3190	6, 10	56-1410
Kadron-Solex H40 E/S (Brazil)	DDR	7"	4"	E-2510	13, 16	56-1490
	DDR	5 7/8"	3 3/4"	E-3210	14, 16	56-1520
Mikuni - Solex 36 PHH	SDO	4 1/2" x 7"	1 3/4"	E-3321	•	56-1370
	SDO	4 1/2" x 7"	3 1/4"	E-3341	•	56-1380
Mikuni - Solex 40, 44, 48 PHH	SDO	4 1/2" x 7"	1 3/4"	E-3321	12	56-1310
	SDO	4 1/2" x 7"	3 1/4"	E-3341	•	56-1350
	SDO	5 1/2" x 9"	1 3/4"	E-3441	12	56-1330
	SDO	5 1/2" x 9"	3 1/4"	E-3461	•	56-1360

APPLICATION	FILTER STYLE	OUTSIDE DIMENSION	HEIGHT	ELEMENT PART#	NOTE	ASSEMBLY PART#
Motorcraft 32/36 (2bbl.)	DDO	5 1/2" x 9"	1 3/4"	E-3441	3	56-1010
	DDO	5 1/2" x 9"	3 1/4"	E-3461	2, 3	56-1020
SK Racing	SDO	4 1/2" x 7"	3 1/4"	E-3341	3	56-1010
	SDO	5 1/2" x 9"	3 1/4"	E-3461	2, 3	56-1020
Solex 40 P11 (Porsche 912)	DDO	5 1/2" x 9"	3 1/4"	E-3461	15, 17	56-1255
Solex 34/34 Progressive	DDO	4 1/2" x 7"	1 3/4"	E-3321	3, 21	56-1701
	DDO	4 1/2" x 7"	3 1/4"	E-3341	3, 21	56-1703
Stromberg 150	DDO	5 1/2" x 9"	1 3/4"	E-3441	3, 21	56-1650
	DDO	5 1/2" x 9"	3 1/4"	E-3461	3, 21	56-1660
Stromberg 175	DDO	5 1/2" x 9"	1 3/4"	E-3441	3, 20	56-1651
	DDO	5 1/2" x 9"	3 1/4"	E-3461	3, 20	56-1652
SU 1 1/4 Bore	SDR	5 7/8"	1 3/4"	E-3211	•	56-1610
SU 1 1/2 Bore	SDR	5 7/8"	1 3/4"	E-3211	•	56-1620
SU 1 3/4 Bore (Not HIF6)	SDR	5 7/8"	3 1/4"	E-3213	•	56-1622
SU 1 1/2 Bore HIF4, HIF6, HIF38	SDR	5 7/8"	1 13/16"	E-3212	10, 17	56-1630
SU 1 3/4 Bore HIF6	SDR	5 7/8" b, 3 1/2" t	2 11/16"	E-3180	10	56-1390
SU 1 3/4 Bore HS6	SDR	5 7/8" b, 3 1/2" t	2 11/16"	E-9156	•	56-9320
SU (70-72 Datsun 240Z)	SDR	5 7/8"	3 1/4"	E-3180	10	56-1400
SU (73-74 Datsun 240, 260Z)	SDR	5 7/8" b, 3 1/2" t	2 11/16"	E-9156	•	56-9330
SU (70-72 Datsun 240Z)	SDR	5 7/8"	3 1/4"	E-3190	•	56-9327
SU (73-74 Datsun 240, 260Z)	SDR	5 7/8"	3 1/4"	E-3190	1, 11	56-1430

Filter Styles: DDO= down draft oval; DDR= down draft round; SDO= side draft oval; SDR= side draft round; REC= rectangle. These filters are legal ONLY for racing vehicles. Not applicable, nor intended for use on emission controlled street or highway vehicles. These filters are not applicable, nor intended for use on aircraft. Each filter sold individually.

# RACING, HOT ROD, & CUSTOM PRODUCTS

## CUSTOM AIR FILTERS FOR WEBER CARBURETORS

K&N Custom Air Filter kits are designed to allow the maximum performance from your carburetors, yet keep the dirt on the outside where it belongs. Show quality to fit racing vehicles with VW, Pinto or any other engine equipped with these performance carburetors. All air filter kits come with custom chrome top and base plates (except IDA Triple) and the famous K&N High-Flow Washable Air Filter. All air filter kits are convenient to clean and service.



56-1210



56-1770

APPLICATION	FILTER STYLE	OUTSIDE DIMENSION	HEIGHT	ELEMENT PART#	NOTE	ASSEMBLY PART#
DAR, DIR, DIF 32/36	DDO	5 1/2" x 9"	1 3/4"	E-3441	3	56-1010
	DDO	5 1/2" x 9"	3 1/4"	E-3461	2, 3	56-1020
DATRA, DATRE 34/36	DDO	5 1/2" x 9"	1 3/4"	E-3441	3, 20	56-1651
	DDO	5 1/2" x 9"	3 1/4"	E-3461	3, 20	56-1652
	DDO	5 1/2" x 9"	1 3/4"	E-3441	3, 21	56-1650
	DDO	5 1/2" x 9"	3 1/4"	E-3461	3, 21	56-1660
DCD, DAS, DCLD, DCS 28/36	DDO	4 1/2" x 7"	2 3/4"	E-3325	3	56-1640
DCN 40-14	DDO	4 1/2" x 7"	3 1/4"	E-3341	•	56-1080
DCNF 36, 40, 42, 44	DDO	4 1/2" x 7"	1 3/4"	E-3321	15	56-1110
	DDO	4 1/2" x 7"	3 1/4"	E-3341	15	56-1120
	DDO	5 1/2" x 9"	3 1/4"	E-3461	15	56-1130
	DDO	5 1/2" x 9"	3 1/4"	E-3461	3, 5, 15	56-1140
DCOE 40, 42	DDO	5 1/2" x 9"	2"	E-3442	3, 5	56-1150
	SDO	4 1/2" x 7"	1 3/4"	E-3321	8	56-1270
	SDO	4 1/2" x 7"	3 1/4"	E-3341	9	56-1350
	SDO	5 1/2" x 9"	3 1/4"	E-3461	9	56-1360
DCOE 45, 48	SDO	4 1/2" x 7"	1 3/4"	E-3321	8	56-1310
	SDO	5 1/2" x 9"	1 3/4"	E-3441	8	56-1330
	SDO	4 1/2" x 7"	3 1/4"	E-3341	9	56-1350
	SDO	5 1/2" x 9"	3 1/4"	E-3461	9	56-1360
	REC	6 1/2" x 7 1/2"	1 3/4"	E-3960	8	-
DCOE 50, DCOE SP48, 55	SDO	4 1/2" x 7"	3 1/4"	E-3341	9	56-1710
	SDO	5 1/2" x 9"	3 1/4"	E-3461	9	56-1720
DFT	DDO	5 1/2" x 9"	3 1/4"	E-3461	•	56-1730
DFB, DFD, DFE, DFV 32/36	DDO	5 1/2" x 9"	1 3/4"	E-3441	3	56-1010
	DDO	5 1/2" x 9"	3 1/4"	E-3461	2, 3	56-1020
DGV, DGV5A, DGAV, DGEV, DPS 32/36	DDO	3 1/4" x 4 3/8" top 4 1/2" x 7" base	4"	E-9141	20	56-9290
	DDO	4 1/2" x 7"	1 3/4"	E-3321	•	56-1030
	DDO	4 1/2" x 7"	3 1/4"	E-3341	•	56-1040
	DDO	5 1/2" x 9"	1 3/4"	E-3441	3	56-1070
	DDO	5 1/2" x 9"	3 1/4"	E-3461	3	56-1060
DMTR 34/36	DDO	5 1/2" x 9"	1 3/4"	E-3321	3, 20	56-1651
	DDO	5 1/2" x 9"	3 1/4"	E-3341	3, 20	56-1652
	DDO	5 1/2" x 9"	1 3/4"	E-3441	3, 21	56-1650
	DDO	5 1/2" x 9"	3 1/4"	E-3461	3, 21	56-1660
IDA 48	DDO	5 1/2" x 9"	3 1/4"	E-3461	•	56-1210
	DDO	5 1/2" x 9"	4 1/2"	E-3471	•	56-1220
	DDO	5 1/2" x 9"	5 1/2"	E-3481	•	56-1230
IDA Triple 40, 46-Porsche F6 Eng.	DDO	5 1/2" x 12"	3 1/4"	E-3671	7	•
	DDO	5 1/2" x 12"	6"	E-3676	7	•
IDF 40, 44, 48, 44MX	DDO	4 1/2" x 7"	1 3/4"	E-3321	•	56-1160
	DDO	4 1/2" x 7"	3 1/4"	E-3341	•	56-1170
	DDO	5 1/2" x 9"	1 3/4"	E-3441	•	•
	DDO	5 1/2" x 9"	3 1/4"	E-3461	•	56-1190
	DDO	5 1/2" x 9"	6"	E-3491	18, 19	56-1200

### Notes:

1) 1 15/16" x 19/16" rectangle opening in baseplate; 2) includes cast aluminum velocity stack; 3) 1/2" vent elbow included; 4) fits Holley® 5200 equipped with electronic feedback solenoid; 5) oval filter air filter kit is turned 90 degrees to the base of carburetor flange (4 stud base); 6) 1 3/4" opening in baseplate; 7) cast aluminum top and base powder coated black; 8) must remove Weber airhorns; 9) works with Weber airhorns; 10) 2 bolt mount; 11) 3 bolt mount; 12) will not work with velocity stacks; 13) 2 5/8" flange, will not fit VW engine with large fan shrouds; 14) special offset base allows use of larger fan shrouds on VW engines; 15) mounting bolt kit included; 16) E-2410 fits original Kadron filter case; 17) includes optional vent; 18) must use separate velocity stacks to mount filter; 19) new improved racing version has stronger center tree and 4 springs to hold top plate; 20) filter is turned 90 degrees to centerlines of carburetor bore; 21) filter is mounted centered to carburetor bores.

Filter Styles: DDO= down draft oval; DDR= down draft round; SDO= side draft oval; SDR= side draft round; REC= rectangle. These filters are legal ONLY for racing vehicles. Not applicable, nor intended for use on emission controlled street or highway vehicles. These filters are not applicable, nor intended for use on aircraft. Each filter sold individually.



# RACING, HOT ROD, & CUSTOM PRODUCTS

## CUSTOM LIDS

### XSTREAM® CHEVY & GMC REPLACEMENT LIDS

Improve airflow and appearance on your late model Chevrolet-GMC truck and 1968 to 1995 GM vehicles with one of our new XStream® air cleaner lids. Each lid comes in deep luster chrome with our XStream® Air Flow Top built in! These direct replacement lids are an inexpensive way to dress up your engine compartment and increase your airflow. **Part# 66-1201, 66-1202 (Black)**



66-1201



### CARBON FIBER LID

Combines all the necessary features for racing with the good looks only carbon fiber can provide. Easy to install. This top lid fits K&N air filter part numbers E-3740, E-1650, E-3743, E-3745, E-3730, E-3750, E-3732, E-3760, E-3770 or any round air filter with a 14" outside diameter. At 4.6 oz, this lid weighs 1/4 as much as our standard chrome top plate. Center rises 1". **Part# 85-6840**

85-6840

### CHROME LID

This chrome plated steel top lid is stamped with the K&N logo and is easy to install. It fits K&N air filter part numbers E-3740, E-1650, E-3743, E-3745, E-3730, E-3750, E-3732, E-3760, E-3770 or any round air filter with a 14" outside diameter. Center rises 1". **Part# 85-6842**



85-6842

## CHEVY/GMC CHROME TOPS

Improve the overall appearance of the engine compartment on your late model Chevrolet-GMC truck and 1968 to 1992 GM vehicles with one of our chrome air cleaner lids. Each lid comes in a deep luster chrome embossed with the K&N logo. These direct replacement lids are an inexpensive way to dress up your engine compartment without disturbing emission control equipment. Available separately or packaged with an E-1500 filter element to make a complete kit.



CE-1501

DESCRIPTION	PART#
88-92 Chevy/GMC Pickup (w/single wing nut) V8 Complete Kit With Chrome Top Lid and Replacement Filter (E-1500)	CE-1501
68-92 GM vehicles using 12" o.d. x 3 1/2" h. filter (E-1500) Complete Kit W/Chrome Top Lid and Replacement Filter (E-1500)	CE-1501
Chrome Top Lid Only (see CE-1501)	85-6846
93-95 Chevy/GMC Pickup (w/dual wing nuts) V8 Complete Kit With Chrome Top Lid and Replacement Filter (E-1500)	CE-1502
Chrome Top Lid Only (see CE-1502)	85-6844
68-95 Chevy/GMC XStream Flow Top Lid	CE-1503



85-6844

## CUSTOM AIR FILTER BASE PLATES

K&N's 14" air filter plates are available separately for replacement or special applications. Base plates fit carburetors with 5 1/8" or 7 5/16" airhorn flange. Drop base will clear most electric choke mechanisms, it may be necessary to space up baseplate with a locally available air cleaner spacer.

DESCRIPTION	PART#
14" O.D. drop base, Chrome plated steel, 5 1/8" flange (drops filter 7/8" below carb flange)	85-3545
14" O.D. drop base Chrome plated steel, 5 1/8" flange (drops filter 1 1/4" below carb flange)	85-3549
14" O.D. flat base Chrome plated steel, 5 1/8" flange (raises filter 9/16" above carb flange)	85-1541
14" O.D. flat base Nylon reinforced plastic, 7 5/16" flange (raises filter 3/4" above carb flange)	85-3552
14" O.D. offset flat base, Chrome plated steel, 5 1/8" flange (sets filter 1 1/2" off carb flange)	85-3540
Offset stud for use with 85-3540	08006



85-3545



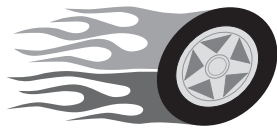
85-1541



85-3552



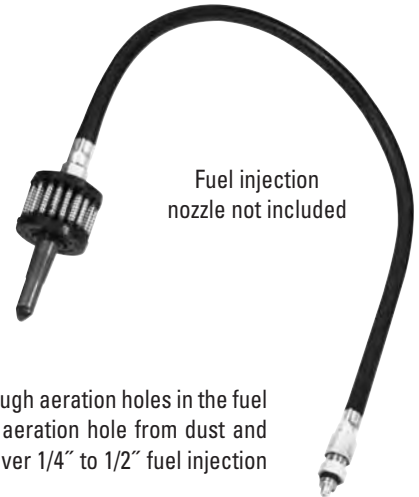
85-3549



Go to page 693 for air filter cleaning accessories

## FUEL INJECTION LINE AIR FILTERS

A unique way to protect your high performance engine from contaminants entering through aeration holes in the fuel injection nozzles. K&N offers filters that slip onto the injector nozzle and protect the aeration hole from dust and debris. Sold individually, these filters have a 1 1/4" OD and 1 1/16" HT and fit securely over 1/4" to 1/2" fuel injection nozzles. **Part# E-3003**



Fuel injection nozzle not included

## CUSTOM PLENUM

Cast aluminum plenum, beautifully finished with black powder coating and natural aluminum highlights. The plenum is designed to fit most American 4 barrel carbs that have a 5 1/8" flange. Also will fit the Weber DGV carburetor when used with K&N adapter (**Part# 85-1061**). Designed for cold air intake, the plenum has a single snorkel outlet that can be fitted with a 4" I.D. hose running to a remote air filter. A K&N universal filter with a 4" flange can also be clamped directly on the snorkel as well. See the Universal pages for filters that will fit onto the inlet. The outside diameter of the plenum is 9" and the snorkel sticks out 6" from the center of the plenum. Minimum clearance required above the carburetor flange is 3 1/8". Customer must provide 1/4"-20 hold down stud. **Part# 85-1060**

Note: The custom plenum is recommended for small displacement engines (less than 200 C.I.) or low revving V6-V8 engines. If the engine requires more than 45 sq. in. of filter area then the plenum should not be used because the carburetor would have to be re-jetted and resulting in a loss of high R.P.M. power.



## MINI PLENUM

Cast aluminum plenum designed to fit the Weber DGV carburetors. Single or dual snorkel accepts 2 1/2" I.D. hose or any 2 1/2" flanged K&N universal air filter (See Universal pages for filters that will fit). Ideal for cold air applications with remote mounted air filter, the diameter of the plenum is 5 3/4" and the snout sticks out 4" from the center of the adapter. The clearance needed above the carburetor flange is 2 1/2".



85-8927



### DESCRIPTION

DESCRIPTION	PART#
Single Snout for Weber DGV series	85-8921
Dual Snout for Weber DGV series	85-8927

## AIR CLEANER ADAPTER FOR WEBER DGV

### MINI-TRUCKS, IMPORT CARS, OFF-ROAD RACERS

K&N's complete selection of custom round air cleaners (5 1/8" flange) can now be adapted to the ever popular Weber DGV series carburetor.

You now have a choice of air cleaner diameters from the MINI seven inch all the way up to the BIG FOURTEENS. Select from OPEN 360° custom chrome, tall velocity stacks, or the full size custom plenum. Even a 14" drop base air cleaner can be used with this adaptor.

See the Custom Assemblies Section for filters and base plates that will fit and for the various sizes and styles of air cleaners available. Keep in mind that the flange must be 5 1/8" ID to work with the DGV adapter. The DGV adapter comes complete with gaskets and mounting hardware - except customer must provide 1/4"-20 center stud. **Part# 85-1061**



# RACING, HOT ROD, & CUSTOM PRODUCTS

## K&N STUBSTACKS®

K&N Stubstacks® are designed to reduce turbulence, improve metering accuracy, and increase the airflow by reducing restriction.

**AIR FILTER APPLICATION:** The Stubstack is designed to only work effectively with K&N Air Filter elements and 360° custom air cleaner assemblies. If the Stubstack is installed in an improper housing, the performance may actually drop! The minimum height above the stack needs to be at least 2 1/2" for proper operation. Will not fit "HP" series carb. Check the K&N Custom Assemblies that will work properly.

### STUBSTACK® FOR HOLLEY® 2300

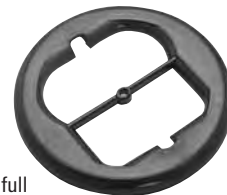
Fits most Holley® 2300 Series carburetors. The Stubstack® is designed to fit 2 barrel popular models within this series. Holley carburetor list numbers are stamped on the choke horn. **Part# 85-0210**



CARBURETOR LIST NO.	MODEL#	CFM RATING
0-4412	2300	500
0-6425	2300	650
0-7448	2300	350

### STUBSTACK® FOR HOLLEY® SQUARE BORE WITH MILLED CHOKE HORN

This Stubstack® is designed to be used on Holley® 390-850cfm square bore carbs (4150/4160), that have had the choke horn milled off, but do not use an air cleaner. The full radius design helps to increase the airflow for drag racing. Will also hold down the base plate of a cold air scoop. Will not work with K&N Custom Chrome Racing Air Cleaners. **Part# 85-0500**



### STUBSTACK® FOR HOLLEY® SQUARE BORE WITH MILLED CHOKE HORN

This Stubstack® is designed to be used with Holley® 390-850cfm square bore carbs (4150/4160), that have had the choke horn milled off and still use an air cleaner. Eliminates the need for hand polishing and radius work. Will work with all K&N Custom Chrome Racing Air Cleaners, including Tall Velocity Stack Air Cleaners. **Part# 85-0400**



### STUBSTACK® FOR HOLLEY® DOMINATOR

This Stubstack® is designed to be used on Holley® 1050 & 1150 cfm Dominator carbs. Will not allow use of a standard air cleaner housing, but it will hold down the base plate of a cold air scoop. Designed to straighten airflow and helps even out the flow to all four venturies. Decreases the restriction around the throttle bores. **Part# 85-0600**



### STUBSTACK® FOR EDELBROCK SQUARE-BORE CARBURETORS

Fits most Edelbrock Square-Bore carburetors. The Stubstack® is designed to fit almost every model within this series. This Stubstack straightens and speeds up airflow, reduces turbulence, improves metering accuracy and increases airflow by reducing restriction. Available for the Edelbrock part numbers. Will also fit some Carter AFB models. **Part# 85-0700**



MODEL#	CFM RATING	CHOKE TYPE	MODEL#	CFM RATING	CHOKE TYPE
1400	600 cfm	electric choke	1406	600 cfm	electric choke
1404	500 cfm	manual choke	1407	750 cfm	manual choke
1405	600 cfm	manual choke	1411	750 cfm	electric choke

### K&N CUSTOM CHROME ASSEMBLIES COMPATIBLE WITH STUBSTACK® 85-0200, 85-0210 AND 85-0700 ONLY!

PART#	DIAMETER	TOTAL HEIGHT
60-1180 (w/vent)	11" O.D.	4 1/2"
60-1190	11" O.D.	6"
60-1200 (w/vent)	11" O.D.	6"
60-1210 (w/vent)	11" O.D.	7"
60-1220	11" O.D.	7"
60-1260	14" O.D.	5 5/8"
60-1270	14" O.D.	6 5/8"
60-1300*	14" O.D.	4 3/4"
60-1310*	14" O.D.	5 3/4"



60-1180

### STUBSTACK® FOR HOLLEY® 4150/4160

Fits most Holley® 4150 and some 4160 Series carburetors with high and low choke horns. The 85-0200 is designed to fit 4 barrel popular models in this series. Holley carburetor list numbers are stamped on the choke horn. See the below chart for complete carburetor list numbers. **Part# 85-0200**

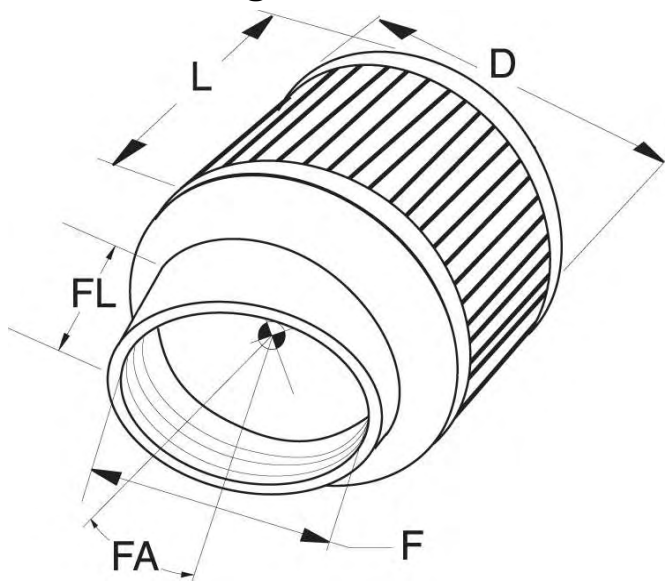


CARBURETOR LIST#	MODEL#	CFM RATING	CARBURETOR LIST#	MODEL#	CFM RATING	CARBURETOR LIST#	MODEL#	CFM RATING	CARBURETOR LIST#	MODEL#	CFM RATING	CARBURETOR LIST#	MODEL#	CFM RATING
0-1848-1	4160	465	0-4776**	4150	600	0-4780-3**	4150	800	0-6989	4160	600	0-8181	4160	600
0-1849	4160	550	0-4776-1**	4150	600	0-4781**	4150	850	0-7009	4160	600	0-8804**	4150	830
0-1850	4160	600	0-4776-2**	4150	600	0-4781-1**	4150	850	0-7009-1	4160	600	0-9002	4182	600
0-1850-1	4160	600	0-4777**	4150	650	0-4781-2**	4150	850	0-7154	4160	600	0-9040	4160	600
0-1850-2	4160	600	0-4777-1**	4150	650	0-4788**	4150	830	0-7410	4150	340	0-9210	4160	600
0-1850-3	4160	600	0-4777-2**	4150	650	0-4788-1**	4150	830	0-7411	4150	370	0-9219	4160	600
0-1850-4	4160	600	0-4778**	4150	700	0-6109	4150	750	0-7448	2300	350	0-9254	4160	600
0-2818	4150	600	0-4778-1**	4150	700	0-6299	4150	390	0-7985	4160	600	0-9379**	4150	750
0-2818-1	4150	600	0-4778-2**	4150	700	0-6299-1	4160	390	0-7986	4160	600	0-9380**	4150	850
0-3310*	4150	780	0-4779**	4150	750	0-6619	4160	600	0-7987	4160	600	0-9381**	4150	830
0-3310-1*	4150	780	0-4779-1**	4150	750	0-6619-1	4160	600	0-8004	4160	600	0-9626	4160	600
0-3310-2*	4160	750	0-4779-2**	4150	750	0-6895	4150	390	0-8005	4160	600			
0-4118*	4150	725	0-4779-5**	4150	750	0-6909	4160	600	0-8006	4160	600			
0-4452-1	4160	600	0-4780**	4150	800	0-6919	4150	800	0-8007	4160	390			
0-4452-2	4160	600	0-4780-1**	4150	800	0-6979	4160	600	0-8156**	4150	750			
0-4548	4160	450	0-4780-2**	4150	800	0-6979-1	4160	600	0-8162**	4150	850			

\*Indicates dual feed fuel bowls.  
\*\*Indicates dual accel. pump & dual feed bowls.



# Round Straight



When selecting one of K&N's universal round straight air filters, you should consider the following dimensions as they relate to the specification chart:

(F) Mounting Flange Inside Diameter - This is the most critical dimension and should be very close to the diameter of the application's inlet flange. The flange will stretch up to 1/16" for those in-between sizes.

(D) Filter Diameter - This is the overall diameter of the filter. Always use the largest diameter practical for maximum filtration.

(L) Filter Length - This dimension is the length of the filter body only, it does not include the flange length. Always use the longest filter practical for maximum filtration.

(FA/FL) Flange Angle and/or Length - If no angle is listed in the specifications table, then the flange is straight. Any angle listed is in degrees and can be utilized when space is a problem.

(FO) Flange Offset - In some cases the center of the flange is offset from the center of the filter base in order to provide a better fit.

(F) Mounting Flange Inside Diameter		(D) Filter Diameter		(L) Filter Length		(FL) Flange Length		(FA) Flange Style		(FO) Flange Offset		Rubber End Cap Part #	Chrome End Cap Part #	Custom End Cap Part #	Filter Wraps Part #	
Inch	mm	Inch	mm	Inch	mm	Inch	mm	Type	Angle	Inch	mm					
5/16	8	1-3/8	35	1-1/8	29	7/16	11	Centered					62-2470			
3/8	10	2	51	1-1/2	38	3/8	10	Centered						62-1570 <sup>28</sup>		
		2	51	1-1/2	38	5/8	16	Centered					62-1320			
1/2	13	2	51	1-1/2	38	5/8	16	Centered					62-1330			
9/16	14	1-3/8	35	1-1/8	29	7/16	11	Centered					62-2480			
5/8	16	1-3/8	35	1-1/8	29	3/8	10	Centered				RU-3230				
		2	51	1-1/2	38	5/8	16	Centered					62-1340			
11/16	17	2	51	2-1/8	54	1	25	Centered					62-1230			
3/4	19	1-3/8	35	1-1/8	29	1/2	13	Centered				62-1560				
		2	51	1-1/2	38	5/8	16	Centered					62-1360			
		2	51	2-1/2	64	5/8	16	Centered					RU-3630			
1	25	2	51	1-1/2	38	5/8	16	Centered					62-1370			
		3	76	2-1/4	57	5/8	16	Centered					62-1420		RU-0150PK	
		3	76	2-3/8	60	5/8	16	Centered				62-1410			RU-0150PK	
1-1/16	27	3	76	3	76	5/8	16	Centered			R-1040				22-8008PK	
1-1/4	32	3	76	2-1/2	64	5/8	16	Centered				62-1380	62-1390		RU-0150PK	
		3	76	3	76	5/8	16	Centered				RU-0060			22-8008PK	
		3	76	4	102	5/8	16	Centered				RU-0070			22-8009PK	
		3	76	4	102	3/4	19	Angled	20°				RU-0100			22-8009PK
		3	76	5	127	5/8	16	Centered					RU-0080			RU-0210PK
1-3/8	35	3	76	5	127	3/4	19	Angled	20°				RU-0110			RU-0210PK
		3	76	2-1/2	64	5/8	16	Centered					62-1430	62-1440		RU-0150PK
		3	76	2-1/2	64	5/8	16	Centered					62-1450			RU-0150PK
1-1/2	38	3	76	2-1/2	64	5/8	16	Centered					62-1460		RU-0150PK	
		3	76	3-1/2	89	5/8	16	Centered					RE-0240 <sup>20</sup>			
		3	76	4	102	5/8	16	Centered					RU-0160			22-8009PK

20) 1/4-20 Jack Nut inserted into Filter Top 4) Base has 1/2" vent standard 45) Base has 1/32" vent standard 47) Base has 1/4" vent standard 43) Base has 11/16" vent standard 24) Base has 13/16" vent standard 34) Base has 13/32" vent standard 41) Base has 15/64" vent standard 36) Base has 19/32" vent standard 38) Base has 25/64" vent standard 39) Base has 29/32" vent standard 19) Base has 3/16" vent standard 23) Base has 3/4" vent standard 21) Base has 3/8" vent standard 40) Base has 31/64" vent standard 42) Base has 35/64" vent standard 44) Base has 45/64" vent standard 6) Base has 5/8" vent standard 37) Base has 55/64" vent standard 18) Base has 7/16" vent standard 25) Base has 7/8" vent standard 22) Base has 9/16" vent standard 5) Base has optional 1/2" vent 29) Black Powder Coated Top Plate 28) Carbon Fiber Top Plate 13) Colors available; DL=blue, DR=red, DY=yellow 11) Colors available; PL=blue, PR=red, PY=yellow 1) Filter has molded-in velocity stack 16) Filter is reverse tapered 32) Fits "Legend/Dwarf" race cars w/FJ1200 motors 12) Foam Pre-filter 33) Galvanized Top Plate 2) Metal top plate has 1/4-20 stud 3) Metal top-plate has 6MM stud 10) Offset is horizontal 7) Offset is vertical 9) Offset is vertical and to the left 8) Offset is vertical and to the right 15) Refer to Custom End Cap/Xstream Clamp-On Sec 14) Refer to Filter Wrap Section 26) Top has 1/2" vent standard 31) Top has 21/32" center hole 27) Top has 7/16" vent standard 35) Top has two 0.400" vents

# Round Straight

(F) Mounting Flange Inside Diameter		(D) Filter Diameter		(L) Filter Length		(FL) Flange Length		(FA) Flange Style		(FO) Flange Offset		Rubber End Cap Part #	Chrome End Cap Part #	Custom End Cap Part #	Filter Wraps Part #		
Inch	mm	Inch	mm	Inch	mm	Inch	mm	Type	Angle	Inch	mm						
1-9/16	40	3	76	2	51	5/8	16	Centered					RC-0840		RU-0150PK		
		3	76	2-1/4	57	5/8	16	Centered					RC-0880		RU-0150PK		
		3	76	2-1/2	64	5/8	16	Centered				RU-2310	RC-0160		RU-0150PK		
		3	76	3	76	5/8	16	Centered						RC-0870		22-8008PK	
		3-1/2	89	1-1/2	38	5/8	16	Centered						RC-0170		RC-0170DK	
1-11/16	43	3	76	2-1/2	64	5/8	16	Centered				RU-1130	RC-1130		RU-0150PK		
		3	76	3	76	5/8	16	Centered						RC-1120		22-8008PK	
		3	76	4	102	5/8	16	Centered				RU-0200				22-8009PK	
		3	76	5	127	5/8	16	Centered				RU-0210				RU-0210PK	
		3	76	6	152	1-1/2	38	Angled	40°			R-1030				22-8010PK	
		3-1/2	89	2	51	5/8	16	Centered						RC-0190			
		3-1/2	89	10	254	5/8	16	Centered					RU-3850				25-3918
		4	102	2	51	5/8	16	Centered					RU-0260				
		5-1/4	133	2	51	5/8	16	Offset		3/4	19	RU-0310					
1-3/4	44	3	76	2	51	5/8	16	Centered				RU-2570				RU-0150PK	
		3	76	2-1/2	64	5/8	16	Centered				62-1470	62-1480			RU-0150PK	
		3-1/2	89	1-1/2	38	5/8	16	Centered						RC-2870		RC-0170DK	
		3-1/2	89	4-1/2	114	1	25	Angled	10°			RU-1030				RU-0510PK <sup>11</sup>	
		3-1/2	89	5	127	5/8	16	Centered				RU-0360				25-1770	
		3-1/2	89	5	127	3/4	19	Angled	10°			RU-1040				25-1770	
		3-1/2	89	6	152	5/8	16	Centered				R-1050				25-1770	
		3-1/2	89	6	152	3/4	19	Angled	10°			RU-1050				RU-0520PK	
		4-1/2	114	1-1/2	38	5/8	16	Offset		9/16	14			RC-0330			25-0330 <sup>12</sup>
1-13/16	46	3	76	2-1/4	57	5/8	16	Centered							RC-0910	RU-0150PK	
		3	76	2-1/4	57	1	25	Centered							RC-2620	RU-0150PK	
		3	76	3	76	5/8	16	Centered							RC-0890	22-8008PK	
		5-1/2	140	3	76	5/8	16	Offset		15/16	24	RU-0350				22-8015PK	
		3	76	1-1/2	38	5/8	16	Centered					RU-2560				
1-7/8	48	3	76	2	51	5/8	16	Centered				RU-3350				RU-0150PK	
		3	76	4	102	5/8	16	Centered				RU-0400				22-8009PK	
		3	76	4	102	1	25	Angled	10°			RU-1280	RC-1280			22-8009PK	
		3	76	5	127	5/8	16	Centered				RU-0410	RC-0410			RU-0210PK	
		3	76	6	152	5/8	16	Centered				RU-0420				22-8010PK	
		3-1/2	89	4	102	5/8	16	Centered				RD-0450				RU-0500PK	
		3-1/2	89	5	127	5/8	16	Centered				RD-0460				25-1770	
		3-1/2	89	6	152	5/8	16	Centered				RD-0470				25-1770	
		3-1/2	89	6	152	2	51	Angled	20°			RU-1400				RU-0500PK	
1-15/16	49	3	76	2	51	5/8	16	Centered				RU-2700				RU-0150PK	
		3	76	2-1/2	64	5/8	16	Centered				RU-2760				RU-0150PK	
		3	76	3	76	5/8	16	Centered				RP-5164				22-8008PK	
		3	76	4	102	5/8	16	Centered				RP-5119				22-8009PK	
		3-1/2	89	4	102	2	51	Angled	20°			RU-1400				RU-0500PK	
		3-1/2	89	5	127	2	51	Angled	20°			RU-1410				25-1770	
		3-1/2	89	6	152	2	51	Angled	20°			RU-1420				25-1770	

20) 1/4-20 Jack Nut inserted into Filter Top 4) Base has 1/2" vent standard 45) Base has 1/32" vent standard 17) Base has 1/4" vent standard 43) Base has 11/16" vent standard 24) Base has 13/16" vent standard 34) Base has 13/32" vent standard 41) Base has 15/64" vent standard 36) Base has 19/32" vent standard 38) Base has 25/64" vent standard 39) Base has 29/32" vent standard 19) Base has 3/16" vent standard 23) Base has 3/4" vent standard 21) Base has 3/8" vent standard 40) Base has 3/164" vent standard 42) Base has 35/64" vent standard 44) Base has 45/64" vent standard 6) Base has 5/8" vent standard 37) Base has 55/64" vent standard 18) Base has 7/16" vent standard 25) Base has 7/8" vent standard 22) Base has 9/16" vent standard 5) Base has optional 1/2" vent 29) Black Powder Coated Top Plate 28) Carbon Fiber Top Plate 13) Colors available; DL=blue, DR=red, DY=yellow 11) Colors available; PL=blue, PR=red, PY=yellow 1) Filter has molded-in velocity stack 16) Filter is reverse tapered 32) Fits "Legend/Dwarf" race cars w/FJ1200 motors 12) Foam Pre-filter 33) Galvanized Top Plate 2) Metal top plate has 1/4-20 stud 3) Metal top-plate has 6MM stud 10) Offset is horizontal 7) Offset is vertical 9) Offset is vertical and to the left 8) Offset is vertical and to the right 15) Refer to Custom End Cap/Xstream Clamp-On Sec 14) Refer to Filter Wrap Section 26) Top has 1/2" vent standard 31) Top has 21/32" center hole 30) Top has 23/32" center hole 27) Top has 7/16" vent standard 35) Top has two 0.400" vents

# Round Straight

(F) Mounting Flange Inside Diameter		(D) Filter Diameter		(L) Filter Length		(FL) Flange Length		(FA) Flange Style		(FO) Flange Offset		Rubber End Cap Part #	Chrome End Cap Part #	Custom End Cap Part #	Filter Wraps Part #
Inch	mm	Inch	mm	Inch	mm	Inch	mm	Type	Angle	Inch	mm				
2	51	5-1/8	130	2	51	11/16	17	Offset		1	25		RC-2400		
		5-3/8	137	2	51	5/8	16	Centered					RC-2440		
		7	178	9	229	5/8	16	Centered					41-1000 <sup>2</sup>		22-8022PK
2-1/16	52	3	76	2-1/2	64	5/8	16	Centered				RU-1880	RC-1880		RU-0150PK
		3	76	3	76	5/8	16	Centered					RC-1890		22-8008PK
		3-1/2	89	3	76	5/8	16	Centered					RC-1150		
		3-1/2	89	4	102	5/8	16	Centered				RU-0500	RC-0500		RU-0500PK
		3-1/2	89	4	102	7/8	22	Centered			RA-0500				RU-0500PK
		3-1/2	89	5	127	5/8	16	Centered				RU-0510			25-1770
		3-1/2	89	5	127	3/4	19	Angled	10°			RU-1060			25-1770
		3-1/2	89	5	127	7/8	22	Centered				RA-0510			25-1770
		3-1/2	89	5	127	2-1/2	64	Angled	17°			RU-1780			25-1770
		3-1/2	89	6	152	5/8	16	Centered				RU-0520			25-1770
		3-1/2	89	6	152	3/4	19	Angled	10°			RU-1070			25-1770
		3-1/2	89	6	152	7/8	22	Centered				RA-0520			25-1770
		4-1/2	114	4	102	7/8	22	Centered				RA-0530			22-8012PK
		4-1/2	114	5	127	7/8	22	Centered				RA-0540			22-8013PK
		5-1/2	140	2	51	5/8	16	Offset			5/16	8	RU-0570		
5-1/2	140	2	51	7/8	22	Centered					RA-0550 <sup>5</sup>	RA-055V <sup>5</sup>			
5-1/2	140	3	76	7/8	22	Centered					RA-0560 <sup>5</sup>	RA-056V <sup>5</sup>		22-8015PK	
5-1/2	140	4	102	7/8	22	Centered					RA-0570 <sup>5</sup>	RA-057V <sup>5</sup>			
5-1/2	140	5	127	7/8	22	Centered					RA-0580 <sup>5</sup>	RA-058V <sup>5</sup>		22-8016PK	
5-7/8	149	2	51	7/8	22	Offset			1-1/8	29	RA-0450 <sup>5</sup>	RA-045V <sup>5</sup>		22-8017PK	
5-7/8	149	3	76	7/8	22	Offset			1-1/8	29	RA-0460 <sup>5</sup>	RA-046V <sup>5</sup>		22-8018PK	
5-7/8	149	4	102	7/8	22	Offset			1-1/8	29	RA-0470 <sup>5</sup>	RA-047V <sup>5</sup>			
2-1/8	54	3	76	3	76	5/8	16	Centered					RC-1910		22-8008PK
		3-1/2	89	4	102	7/8	22	Centered				RD-0500			RU-0500PK
		3-1/2	89	4	102	1	25	Angled	5°			RB-0500			RU-0500PK
		3-1/2	89	5	127	7/8	22	Centered				RD-0510			25-1770
		3-1/2	89	5	127	1	25	Angled	5°			RB-0510	RC-0510		RU-0510PK <sup>11</sup>
		3-1/2	89	6	152	7/8	22	Centered				RD-0520			25-1770
3-1/2	89	6	152	1	25	Angled	5°			RB-0520			25-1770		
2-1/4	57	3-1/2	89	1-1/2	38	5/8	16	Centered					RC-2880		RC-0170DK
		3-1/2	89	2	51	5/8	16	Centered					RC-1900		
		3-1/2	89	4	102	5/8	16	Centered				RU-0600			RU-0500PK
		3-1/2	89	4	102	1	25	Angled	5°			RB-0600			RU-0500PK
		3-1/2	89	4	102	1	25	Angled	20°			RU-1700			RU-0500PK
		3-1/2	89	5	127	5/8	16	Centered				RU-0610			25-1770
		3-1/2	89	5	127	3/4	19	Angled	10°			RU-1080			25-1770
		3-1/2	89	5	127	1	25	Angled	5°			RB-0610			25-1770
		3-1/2	89	5	127	1	25	Angled	20°			RU-1710			25-1770
		3-1/2	89	6	152	5/8	16	Centered				RU-0620			25-1770
		3-1/2	89	6	152	3/4	19	Angled	10°			RU-1090			25-1770
3-1/2	89	6	152	1	25	Angled	5°			RB-0620			25-1770		
3-1/2	89	6	152	1	25	Angled	20°			RU-1720			25-1770		

20) 1/4-20 Jack Nut inserted into Filter Top 4) Base has 1/2" vent standard 45) Base has 1/32" vent standard 17) Base has 1/4" vent standard 43) Base has 11/16" vent standard 24) Base has 13/16" vent standard 34) Base has 13/32" vent standard 41) Base has 15/64" vent standard 36) Base has 19/32" vent standard 38) Base has 25/64" vent standard 39) Base has 29/32" vent standard 19) Base has 3/16" vent standard 23) Base has 3/4" vent standard 21) Base has 3/8" vent standard 40) Base has 31/64" vent standard 42) Base has 35/64" vent standard 44) Base has 45/64" vent standard 6) Base has 5/8" vent standard 37) Base has 55/64" vent standard 18) Base has 7/16" vent standard 25) Base has 7/8" vent standard 22) Base has 9/16" vent standard 5) Base has optional 1/2" vent 29) Black Powder Coated Top Plate 28) Carbon Fiber Top Plate 13) Colors available; DL=blue, DR=red, DY=yellow 11) Colors available; PL=blue, PR=red, PY=yellow 1) Filter has molded-in velocity stack 16) Filter is reverse tapered 32) Fits "Legend/Dwarf" race cars w/F1200 motors 12) Foam Pre-filter 33) Galvanized Top Plate 2) Metal top plate has 1/4-20 stud 3) Metal top-plate has 6MM stud 10) Offset is horizontal 7) Offset is vertical 9) Offset is vertical and to the left 8) Offset is vertical and to the right 15) Refer to Custom End Cap/Xstream Clamp-On Sec 14) Refer to Filter Wrap Section 26) Top has 1/2" vent standard 31) Top has 21/32" center hole 30) Top has 23/32" center hole 27) Top has 7/16" vent standard 35) Top has two 0.400" vents



# Round Straight

(F) Mounting Flange Inside Diameter		(D) Filter Diameter		(L) Filter Length		(FL) Flange Length		(FA) Flange Style		(FO) Flange Offset		Rubber End Cap Part #	Chrome End Cap Part #	Custom End Cap Part #	Filter Wraps Part #
Inch	mm	Inch	mm	Inch	mm	Inch	mm	Type	Angle	Inch	mm				
2-1/4	57	3-1/2	89	10	254	5/8	16	Centered				RU-3840			25-3918
		4-1/2	114	2	51	5/8	16	Offset		5/16	8		RC-1950		
		4-1/2	114	4	102	5/8	16	Centered				RU-0630			22-8012PK
		4-1/2	114	5	127	5/8	16	Centered				RU-0640			22-8013PK
		5-1/2	140	2-1/2	64	5/8	16	Offset		13/16	21	RU-0650	RC-0650		
		5-1/2	140	3	76	5/8	16	Offset		13/16	21	RU-0660			22-8015PK
		5-1/2	140	3-1/2	89	5/8	16	Centered				RU-0690			
		5-1/2	140	5	127	5/8	16	Offset		13/16	21	RU-0680			22-8016PK
		7	178	9	229	5/8	16	Centered					41-1100 <sup>2</sup>		22-8022PK
2-7/16	62	3-1/2	89	4	102	5/8	16	Centered				RU-0800			RU-0500PK
		3-1/2	89	5	127	5/8	16	Centered				RU-0810			25-1770
		3-1/2	89	6	152	5/8	16	Centered				RU-0820 <sup>4</sup>			25-1770
		3-1/2	89	6	152	1-1/8	29	Centered				RU-3030			25-1770
		3-3/4	95	2	51	2	51	Angled	20°			RU-1730			
		3-3/4	95	4	102	2	51	Angled	20°			RU-1750			22-8011PK
		3-3/4	95	5	127	2	51	Angled	20°			RU-1760			RU-1460PK
		3-3/4	95	6	152	2	51	Angled	20°			RU-1770			RU-1470PK
		4	102	4-3/4	121	3/4	19	Centered						RX-4040-1 <sup>15,1</sup>	
		4-1/2	114	4	102	5/8	16	Centered				RU-0830			22-8012PK
		4-1/2	114	5	127	5/8	16	Centered				RU-0840			22-8013PK
		5	127	3	76	5/8	16	Centered					RC-0860		22-8015PK
		5-1/8	130	2	51	5/8	16	Centered					RC-0850		
		5-1/2	140	3	76	5/8	16	Offset		1/2	13	RU-0870			22-8015PK
		5-1/2	140	4	102	5/8	16	Offset		1/2	13	RU-0880			
		5-1/2	140	6	152	5/8	16	Offset		1/2	13	RU-1000			22-8045PK
2-1/2	64	3-1/2	89	4	102	5/8	16	Centered				RD-0700			RU-0500PK
		3-1/2	89	4	102	1	25	Angled	5°			RB-0700			RU-0500PK
		3-1/2	89	5	127	5/8	16	Centered				RD-0710			25-1770
		3-1/2	89	5	127	1	25	Angled	5°			RB-0710			25-1770
		3-1/2	89	6	152	5/8	16	Centered				RD-0720			25-1770
		3-1/2	89	6	152	1	25	Angled	5°			RB-0720			25-1770
		7	178	6	152	5/8	16	Centered					RD-1200		
		7	178	9	229	5/8	16	Centered					41-1200 <sup>2</sup>		22-8022PK
2-9/16	65	4-1/2	114	4	102	3/4	19	Centered				RA-0600			22-8012PK
		4-1/2	114	5	127	3/4	19	Centered				RA-0610			22-8013PK
		5-1/2	140	2	51	3/4	19	Centered				RA-0620 <sup>5</sup>	RA-062V <sup>5</sup>		
		5-1/2	140	3	76	3/4	19	Centered				RA-0630 <sup>5</sup>	RA-063V <sup>5</sup>		22-8015PK
		5-1/2	140	4	102	3/4	19	Centered				RA-0640 <sup>5</sup>			
		5-1/2	140	5	127	3/4	19	Centered				RA-0650 <sup>5</sup>			22-8016PK
		5-7/8	149	3	76	7/8	22	Offset		13/16	21		RA-067V <sup>5</sup>		
		5-7/8	149	4	102	7/8	22	Offset		13/16	21	RA-0680 <sup>5</sup>			
		6	152	2	51	7/8	22	Offset		13/16	21	RA-0660 <sup>5</sup>	RA-066V <sup>5</sup>		22-8017PK
		6	152	3	76	7/8	22	Offset		13/16	21	RA-0670 <sup>5</sup>			
		6	152	4	102	7/8	22	Offset		13/16	21		RA-068V <sup>5</sup>		
2-5/8	67	4	102	2-1/4	57	1/2	13	Centered						60-0410	

20) 1/4-20 Jack Nut inserted into Filter Top 4) Base has 1/2" vent standard 45) Base has 1/32" vent standard 47) Base has 1/4" vent standard 43) Base has 11/16" vent standard 24) Base has 13/16" vent standard 34) Base has 13/32" vent standard 41) Base has 15/16" vent standard 36) Base has 19/32" vent standard 38) Base has 25/64" vent standard 39) Base has 29/32" vent standard 19) Base has 3/16" vent standard 23) Base has 3/4" vent standard 21) Base has 3/8" vent standard 40) Base has 31/64" vent standard 42) Base has 35/64" vent standard 44) Base has 45/64" vent standard 6) Base has 5/8" vent standard 37) Base has 55/64" vent standard 18) Base has 7/16" vent standard 25) Base has 7/8" vent standard 22) Base has 9/16" vent standard 5) Base has optional 1/2" vent 29) Black Powder Coated Top Plate 28) Carbon Fiber Top Plate 13) Colors available; DL=blue, DR=red, DY=yellow 11) Colors available; PL=blue, PR=red, PY=yellow 1) Filter has molded-in velocity stack 16) Filter is reverse tapered 32) Fits "Legend/Dwarf" race cars w/FJ1200 motors 12) Foam Pre-filter 33) Galvanized Top Plate 2) Metal top plate has 1/4-20 stud 3) Metal top-plate has 6MM stud 10) Offset is horizontal 7) Offset is vertical 9) Offset is vertical and to the left 8) Offset is vertical and to the right 15) Refer to Custom End Cap/Xstream Clamp-On Sec 14) Refer to Filter Wrap Section 26) Top has 1/2" vent standard 31) Top has 21/32" center hole 30) Top has 23/32" center hole 27) Top has 7/16" vent standard 35) Top has two 0.400" vents

# Round Straight

(F) Mounting Flange Inside Diameter		(D) Filter Diameter		(L) Filter Length		(FL) Flange Length		(FA) Flange Style		(FO) Flange Offset		Rubber End Cap Part #	Chrome End Cap Part #	Custom End Cap Part #	Filter Wraps Part #			
Inch	mm	Inch	mm	Inch	mm	Inch	mm	Type	Angle	Inch	mm							
2-5/8	67	4	102	4	102	1	25	Angled	5°			RB-0800			22-8011PK			
		4	102	5	127	1	25	Angled	5°			RB-0810			25-1770			
		4-1/2	114	2	51	5/8	16	Centered					RU-2630					
		4-1/2	114	3	76	5/8	16	Centered					RU-2640					
2-11/16	68	4-1/2	114	4	102	5/8	16	Centered							22-8012PK			
		4-1/2	114	5	127	5/8	16	Centered					RU-2650			22-8012PK		
2-3/4	70	4	102	5	127	1	25	Angled	10°			RU-1460			RU-1460PK			
		4	102	6	152	1	25	Angled	10°			RU-1470			25-1770			
		4	102	6	152	2	51	Angled	20°			RU-3190			25-1770			
		4	102	7	178	1	25	Angled	10°			RU-1480			RU-1480PK			
		5	127	2	51	5/8	16	Centered					RC-0920					
		5	127	3	76	5/8	16	Centered					RC-0930			22-8015PK		
		5-1/2	140	3	76	5/8	16	Offset		7/16	11	RU-0940				22-8015PK		
		5-1/2	140	4	102	5/8	16	Offset		7/16	11	RU-0950						
		5-1/2	140	5	127	5/8	16	Offset		7/16	11	RU-0960				22-8016PK		
		7	178	3	76	5/8	16	Offset		11/16	17	RU-0980				RU-0980PK		
2-13/16	71	4-1/16	103	7	178	3/4	19	Centered				RX-5032						
		2-7/8	73	4	102	5-3/8	137	5/8	16	Centered			RU-2410			25-3900		
		4	102	6	152	5/8	16	Centered					RU-1620			25-1770		
		4-1/2	114	5	127	5/8	16	Centered					RU-3710	RC-3710		22-8013PK		
		4-1/2	114	6-1/8	156	5/8	16	Centered					E-1989			RX-3820PK		
3	76	4-1/2	114	4	102	1	25	Angled	5°						22-8012PK			
		4-1/2	114	5	127	1	25	Angled	5°						22-8013PK			
		5	127	3	76	5/8	16	Centered					RU-2420			22-8015PK		
		5	127	5	127	5/8	16	Centered					RU-2430		RC-5182XD	RU-2430PK		
		5	127	6-1/2	165	5/8	16	Centered					RU-2820			22-8044PK		
		5	127	7	178	5/8	16	Centered							RX-2820 <sup>15</sup>	22-8044PK		
		5	127	9	229	5/8	16	Centered						RC-2530 <sup>33,2</sup>		25-3918		
		7	178	2	51	5/8	16	Offset		7/8	22	RA-0970 <sup>4</sup>	RA-097V <sup>4</sup>					
		7	178	3	76	5/8	16	Offset		7/8	22	RA-0980 <sup>4</sup>	RA-098V <sup>4</sup>			RU-0980PK		
		7	178	3	76	1-1/8	29	Offset		1-1/16	27			RC-3140		RU-0980PK		
		7	178	4	102	5/8	16	Offset		7/8	22	RA-0990 <sup>4</sup>	RA-099V <sup>4</sup>			22-8019PK		
		7	178	6	152	1	25	Centered						RD-1300		22-8021PK		
		3-1/16	78	6-7/8	175	5-15/16	151	9/16	14	Centered							RU-9040	
				7	178	3	76	5/8	16	Centered					RA-0950 <sup>4</sup>	RA-095V <sup>4</sup>		RU-0980PK
				7	178	4	102	5/8	16	Centered					RA-0960 <sup>4</sup>	RA-096V <sup>4</sup>		22-8019PK
7	178			6	152	5/8	16	Centered					RU-9004			22-8021PK		
3-1/8	79	6	152	4-1/4	108	5/8	16	Centered				E-2996						
3-3/16	81	4-15/16	125	4-7/16	113	1	25	Centered						RC-9130				
3-5/16	84	5-13/16	148	7-1/4	184	3/4	19	Centered				E-0774						
3-3/8	86	5-13/16	148	7-1/4	184	5/8	16	Centered				E-1009						

20) 1/4-20 Jack Nut inserted into Filter Top 4) Base has 1/2" vent standard 45) Base has 1/32" vent standard 47) Base has 1/4" vent standard 43) Base has 11/16" vent standard 24) Base has 13/16" vent standard 34) Base has 13/32" vent standard 41) Base has 15/64" vent standard 36) Base has 19/32" vent standard 39) Base has 25/64" vent standard 39) Base has 29/32" vent standard 19) Base has 3/16" vent standard 23) Base has 3/4" vent standard 21) Base has 3/8" vent standard 40) Base has 31/64" vent standard 42) Base has 35/64" vent standard 44) Base has 45/64" vent standard 6) Base has 5/8" vent standard 37) Base has 55/64" vent standard 18) Base has 7/16" vent standard 25) Base has 7/8" vent standard 22) Base has 9/16" vent standard 5) Base has optional 1/2" vent 29) Black Powder Coated Top Plate 28) Carbon Fiber Top Plate 13) Colors available; DL=blue, DR=red, DY=yellow 11) Colors available; PL=blue, PR=red, PY=yellow 1) Filter has molded-in velocity stack 16) Filter is reverse tapered 32) Fits "Legend/Dwarf" race cars w/FJ1200 motors 12) Foam Pre-filter 33) Galvanized Top Plate 2) Metal top plate has 1/4-20 stud 3) Metal top-plate has 6MM stud 10) Offset is horizontal 7) Offset is vertical 9) Offset is vertical and to the left 8) Offset is vertical and to the right 15) Refer to Custom End Cap/Xstream Clamp-On Sec 14) Refer to Filter Wrap Section 26) Top has 1/2" vent standard 31) Top has 21/32" center hole 30) Top has 23/32" center hole 27) Top has 7/16" vent standard 35) Top has two 0.400" vents

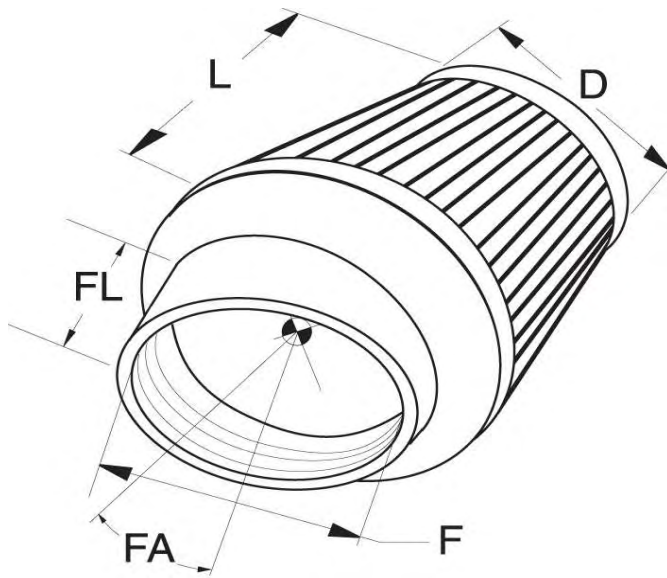
# Round Straight

(F) Mounting Flange Inside Diameter		(D) Filter Diameter		(L) Filter Length		(FL) Flange Length		(FA) Flange Style		(FO) Flange Offset		Rubber End Cap Part #	Chrome End Cap Part #	Custom End Cap Part #	Filter Wraps Part #		
Inch	mm	Inch	mm	Inch	mm	Inch	mm	Type	Angle	Inch	mm						
3-1/2	89	4	102	5-3/4	146	3/4	19	Centered						RX-4140 <sup>15</sup>	RU-1470PK		
		5	127	3	76	5/8	16	Centered			RU-1790	RC-1790			22-8015PK		
		5	127	5-5/8	143	5/8	16	Centered			RU-5114				CM-4508DK		
		5	127	8-1/2	216	5/8	16	Centered			RU-1785						
3-5/8	92	5-13/16	148	7-1/4	184	3/4	19	Centered			E-0773						
		4	102	7	178	6	152	5/8	16	Centered			RD-1400		22-8020PK		
		7	178	6	152	1	25	Centered			RD-1450				22-8021PK		
		7	178	8	203	5/8	16	Centered				RD-1410					
		7	178	9	229	1	25	Centered			RD-1460				22-8022PK		
		7	178	18	457	5/8	16	Centered				41-1400 <sup>2</sup>			25-3918		
		5	127	6-1/2	165	9	229	1	25	Centered			RU-3020			22-8022PK	
		6-1/2	165	10	254	1	25	Centered				RU-3220			22-8022PK		
		5-1/2	140	7	178	9	229	1	25	Centered				RC-3150 <sup>2</sup>		22-8022PK	
		6	152	7-1/2	191	4-1/2	114	1	25	Centered			RU-1850				
				7-1/2	191	6	152	1	25	Centered			RU-3060				25-3900
				7-1/2	191	8	203	1	25	Centered			RU-3260				
7-1/2	191			10	254	1	25	Centered			RU-3270				RU-3270DR		
7-1/2	191			12	305	1	25	Centered			RU-3040				25-3918		

20) 1/4-20 Jack Nut inserted into Filter Top 4) Base has 1/2" vent standard 45) Base has 1/32" vent standard 17) Base has 1/4" vent standard 43) Base has 11/16" vent standard 24) Base has 13/16" vent standard 34) Base has 13/32" vent standard 41) Base has 15/64" vent standard 36) Base has 19/32" vent standard 38) Base has 25/64" vent standard 39) Base has 29/32" vent standard 19) Base has 3/16" vent standard 23) Base has 3/4" vent standard 21) Base has 3/8" vent standard 40) Base has 31/64" vent standard 42) Base has 35/64" vent standard 44) Base has 45/64" vent standard 6) Base has 5/8" vent standard 37) Base has 55/64" vent standard 18) Base has 7/16" vent standard 25) Base has 7/8" vent standard 22) Base has 9/16" vent standard 5) Base has optional 1/2" vent 29) Black Powder Coated Top Plate 28) Carbon Fiber Top Plate 13) Colors available; DL=blue, DR=red, DY=yellow 11) Colors available: PL=blue, PR=red, PY=yellow 1) Filter has molded-in velocity stack 16) Filter is reverse tapered 32) Fits "Legend/Dwarf" race cars w/FJ1200 motors 12) Foam Pre-filter 33) Galvanized Top Plate 2) Metal top plate has 1/4-20 stud 3) Metal top-plate has 6MM stud 10) Offset is horizontal 7) Offset is vertical 9) Offset is vertical and to the left 8) Offset is vertical and to the right 15) Refer to Custom End Cap/Xstream Clamp-On Sec 14) Refer to Filter Wrap Section 26) Top has 1/2" vent standard 31) Top has 21/32" center hole 30) Top has 23/32" center hole 27) Top has 7/16" vent standard 35) Top has two 0.400" vents



# Round Tapered



When selecting one of K&N's universal round tapered air filters, you should consider the following dimensions as they relate to the specification chart:

(F) Mounting Flange Inside Diameter - This is the most critical dimension and should be very close to the diameter of the application's inlet flange. The flange will stretch up to 1/16" for those in-between sizes.

(D) Filter Diameter - This is the outside diameter of the filter. Always use the largest diameter practical for maximum filtration.

(L) Filter Length - This dimension is the length of the filter body only, it does not include the flange length. Always use the longest filter practical for maximum filtration.

(FA/FL) Flange Angle and/or Length - If no angle is listed in the specifications table, then the flange is straight. Any angle listed is in degrees and can be utilized when space is a problem.

(FO) Flange Offset - In some cases the center of the flange is offset from the center of the filter base in order to provide a better fit.

(F) Mounting Flange Inside Diameter		(D) Filter Base Diameter		(D) Filter Top Diameter		(L) Filter Length		(FL) Flange Length		(FA) Flange Style	(FO) Flange Offset		Rubber End Cap Part #	Chrome End Cap Part #	Custom End Cap Part #	Filter Wraps Part #
Inch	mm	Inch	mm	Inch	mm	Inch	mm	Inch	mm	Type	Angle	Inch	mm			
1/4	6	1-3/8	35	1	25	1-1/8	29	3/8	10	Centered			RU-5162			
5/16	8	1-3/8	35	1	25	1	25	5/8	16	Centered			RU-3490			
		1-3/8	35	1	25	1-3/8	35	3/8	10	Centered			RU-3170			
1	25	2-7/8	73	3-1/2	89	3-1/2	89	5/8	16	Centered			RE-0200 <sup>20</sup>			
		3	76	3-1/2	89	4	102	1	25	Centered			62-1550			
1-1/8	29	2-1/4	57	2	51	2-1/2	64	5/8	16	Centered				RC-2540		RC-2540PK
1-1/4	32	2-7/8	73	3-1/2	89	3-1/2	89	5/8	16	Centered			RE-0220 <sup>20</sup>			
		2-15/16	75	3-1/2	89	2-7/16	62	5/8	16	Centered			RE-0230 <sup>20</sup>			
1-3/8	35	2-1/2	64	2	51	2-1/4	57	5/8	16	Centered				RC-0790		RC-0790PK
1-9/16	40	2-5/8	67	2	51	3	76	5/8	16	Centered				RC-2290		
		3	76	2	51	3	76	5/8	16	Centered				RC-2310		22-8028PK
1-11/16	43	3	76	2	51	2-3/8	60	5/8	16	Centered				RC-2490		
		3	76	2	51	2-3/4	70	5/8	16	Centered			R-1070	RC-1070		22-8028PK
		3	76	2	51	4	102	1-1/2	38	Angled	40°		R-1100			22-8048PK
1-3/4	44	3-1/2	89	2	51	4	102	5/8	16	Centered			R-1080			22-8029PK
		2-15/16	75	3-1/2	89	3-1/2	89	5/8	16	Centered			RE-0260 <sup>20</sup>			
		3	76	2	51	2-1/2	64	5/8	16	Centered			RU-2690			
		4-3/8	111	3	76	2-1/2	64	5/8	16	Centered			RU-2680			
1-25/32	45	4-1/2	114	3	76	2-1/2	64	5/8	16	Offset		9/16 14	RU-2740			
		6-7/8	175	5-27/32	148	2-9/16	65	1-25/32	45	Centered				RC-5116		
1-13/16	46	3	76	2	51	2-1/2	64	5/8	16	Centered			RU-2930			22-8028PK
		3	76	2	51	3	76	5/8	16	Centered			RU-2320	RC-2320		22-8028PK
1-7/8	48	3	76	2	51	2	51	5/8	16	Centered			RU-2550	RC-2550		
		3	76	2	51	3	76	5/8	16	Centered			R-1090	RC-1090		22-8028PK
		3	76	2	51	3-11/16	94	1	25	Angled	10°			RC-1290		22-8048PK
1-15/16	49	3	76	2	51	2-1/2	64	5/8	16	Centered			RU-2660	RC-2500		22-8028PK

20) 1/4-20 Jack Nut inserted into Filter Top 4) Base has 1/2" vent standard 45) Base has 1/32" vent standard 17) Base has 1/4" vent standard 43) Base has 11/16" vent standard 24) Base has 13/16" vent standard 34) Base has 13/32" vent standard 41) Base has 15/64" vent standard 36) Base has 19/32" vent standard 39) Base has 29/32" vent standard 19) Base has 3/16" vent standard 23) Base has 3/4" vent standard 21) Base has 3/8" vent standard 40) Base has 31/64" vent standard 42) Base has 35/64" vent standard 44) Base has 45/64" vent standard 6) Base has 5/8" vent standard 37) Base has 55/64" vent standard 18) Base has 7/16" vent standard 25) Base has 7/8" vent standard 22) Base has 9/16" vent standard 5) Base has optional 1/2" vent 29) Black Powder Coated Top Plate 28) Carbon Fiber Top Plate 13) Colors available; DL=blue, DR=red, DY=yellow 11) Colors available; PL=blue, PR=red, PY=yellow 1) Filter has molded-in velocity stack 16) Filter is reverse tapered 32) Fits "Legend/Dwarf" race cars w/F1200 motors 12) Foam Pre-filter 33) Galvanized Top Plate 2) Metal top plate has 1/4-20 stud 3) Metal top-plate has 6MM stud 10) Offset is horizontal 7) Offset is vertical 9) Offset is vertical and to the left 8) Offset is vertical and to the right 15) Refer to Custom End Cap/Xstream Clamp-On Sec 14) Refer to Filter Wrap Section 26) Top has 1/2" vent standard 31) Top has 21/32" center hole 30) Top has 23/32" center hole 27) Top has 7/16" vent standard 35) Top has two 0.400" vents

# Round Tapered

(F) Mounting Flange Inside Diameter		(D) Filter Base Diameter		(D) Filter Top Diameter		(L) Filter Length		(FL) Flange Length		(FA) Flange Style		(FO) Flange Offset		Rubber End Cap Part #	Chrome End Cap Part #	Custom End Cap Part #	Filter Wraps  Part #
Inch	mm	Inch	mm	Inch	mm	Inch	mm	Inch	mm	Type	Angle	Inch	mm				
1-15/16	49	3	76	2	51	3	76	5/8	16	Centered				R-1060	RC-1060		22-8028PK
1-31/32	50	5-3/16	132	3-1/2	89	4-3/4	121	1-3/8	35	Offset		11/16	17		RC-8350		
		6-27/32	174	5-13/16	148	2-3/8	60	1-25/32	45	Angled	30°				RC-5054		
		6-27/32	174	5-27/32	148	2-9/16	65	1-25/32	45	Offset		3-1/8	79		RC-1649		
		6-7/8	175	5-27/32	148	2-9/16	65	1-25/32	45	Offset		27/32	21		RC-5124		
2	51	3	76	3-1/2	89	3-1/2	89	5/8	16	Centered				RE-0280 <sup>20</sup>			
		3-1/8	79	2	51	3	76	5/8	16	Centered				RU-2580	RC-2580		22-8028PK
		5-3/16	132	3-1/2	89	3-9/16	90	1-3/8	35	Offset		5/8	16			RC-9920 <sup>34</sup>	
		6-27/32	174	5-27/32	148	4-11/32	110	1-25/32	45	Offset		13/16	21		RC-5048 <sup>17,4</sup>		
		6-7/8	175	5-27/32	148	2-9/16	65	1-25/32	45	Centered					RC-70018		
2-1/16	52	3-1/4	83	3	76	4	102	5/8	16	Centered					RC-1350		
		3-1/2	89	2	51	4	102	5/8	16	Centered				RU-1200	RC-1200		22-8029PK
		3-1/2	89	3	76	4	102	7/8	22	Centered				RA-050V			
2-1/32	52	3-5/8	92	3-1/2	89	4-7/8	124	7/16	11	Centered					RC-8170		
		6-27/32	174	5-7/8	149	2-9/16	65	1-25/32	45	Offset		27/32	21		RC-5154 <sup>42</sup>		
2-1/8	54	3	76	2	51	2-3/4	70	5/8	16	Centered					RC-2340		22-8028PK
		3	76	2	51	3	76	5/8	16	Centered					RC-2330		22-8028PK
		3-1/2	89	2	51	4	102	5/8	16	Centered					RC-1920		22-8029PK
		4-1/2	114	3-1/2	89	4-3/4	121	13/16	21	Centered					RC-4890		
		5-3/16	132	3-1/2	89	5-1/2	140	7/8	22	Offset		19/32	15		RC-8090 <sup>44</sup>		
2-1/4	57	3-1/2	89	2	51	4	102	5/8	16	Centered				R-1260	RC-1250		22-8029PK
		5	127	3-1/2	89	3-9/16	90	11/16	17	Centered					RC-9220		
		5-1/8	130	4-5/8	117	6	152	5/8	16	Centered				RU-3560		25-3900	
2-9/32	58	4-1/2	114	3-1/2	89	4-15/16	125	2-13/32	61	Centered					RC-5157		
		6-27/32	174	5-13/16	148	2-9/16	65	1-25/32	45	Centered					RC-70021		
2-3/8	60	4-5/8	117	3-1/2	89	4-13/16	122	13/16	21	Centered					RC-9380		
		5-3/16	132	3-1/2	89	3-3/4	95	23/32	18	Offset		273/5	14		RC-1624 <sup>36</sup>		
		5-3/16	132	3-1/2	89	4-3/16	106	5/8	16	Offset		19/32	15		RC-9830 <sup>6</sup>		
		5-3/16	132	3-1/2	89	4-5/16	110	3/4	19	Offset		21/32	17		RC-9390		
2-13/32	61	4-23/32	120	3-31/32	101	3-3/4	95	3-11/32	85	Centered						RX-5179	
		5-7/32	133	3-1/2	89	5-9/32	134	7/8	22	Offset		19/32	15		RC-8320 <sup>38</sup>		
2-7/16	62	3-1/2	89	2	51	5	127	5/8	16	Centered				SN-2570			SN-2570PK
		3-3/4	95	3	76	4	102	2	51	Angled	20°			SN-2530			SN-2530PK
		3-3/4	95	3	76	5	127	2	51	Angled	20°			SN-2520			SN-2520PK
		3-3/4	95	3	76	6	152	2	51	Angled	20°			SN-2510			SN-2510PK
		4-1/2	114	4	102	6-1/8	156	3	76	Angled	20°					RX-3800 <sup>15</sup>	RX-3820PK
		4-1/2	114	4	102	6-1/8	156	7/8	22	Centered						RX-3820-1 <sup>1,15</sup>	RX-3820PK
		4-1/2	114	6	152	6-1/8	156	3	76	Angled	20°					RX-3770 <sup>1,15</sup>	RX-3810DK
		4-1/2	114	6	152	6-1/8	156	7/8	22	Centered						RX-3810XD <sup>1,15</sup>	RX-3810DK
2-1/2	64	5-1/8	130	3-1/2	89	6	152	5/8	16	Centered					RC-4160		RC-4160DK
		5-1/2	140	4-1/2	114	4	102	5/8	16	Offset		1/2	13	R-1380			
		4-1/2	114	3-1/2	89	3-3/16	81	3/4	19	Centered					RC-8100		
2-17/32	64	4-1/2	114	3-1/2	89	5	127	3/4	19	Centered					RC-9630		RC-9350DK <sup>13</sup>
		4-1/2	114	4	102	3-13/16	97	3/4	19	Centered						RX-4010	
		4-21/32	118	2-1/2	64	5-29/32	150	7/8	22	Centered					RC-9360		

20) 1/4-20 Jack Nut inserted into Filter Top 4) Base has 1/2" vent standard 45) Base has 1/32" vent standard 17) Base has 1/4" vent standard 43) Base has 11/16" vent standard 24) Base has 13/16" vent standard 34) Base has 13/32" vent standard 41) Base has 15/64" vent standard 36) Base has 19/32" vent standard 38) Base has 25/64" vent standard 39) Base has 29/32" vent standard 19) Base has 3/16" vent standard 23) Base has 3/4" vent standard 21) Base has 3/8" vent standard 40) Base has 31/64" vent standard 42) Base has 35/64" vent standard 44) Base has 45/64" vent standard 6) Base has 5/8" vent standard 37) Base has 55/64" vent standard 18) Base has 7/16" vent standard 25) Base has 7/8" vent standard 22) Base has 9/16" vent standard 5) Base has optional 1/2" vent 29) Black Powder Coated Top Plate 28) Carbon Fiber Top Plate 13) Colors available; DL=blue, DR=red, DY=yellow 11) Colors available; PL=blue, PR=red, PY=yellow 1) Filter has molded-in velocity stack 16) Filter is reverse tapered 32) Fits "Legend/Dwarf" race cars w/F1200 motors 12) Foam Pre-filter 33) Galvanized Top Plate 2) Metal top plate has 1/4-20 stud 3) Metal top-plate has 6MM stud 10) Offset is horizontal 7) Offset is vertical 9) Offset is vertical and to the left 8) Offset is vertical and to the right 15) Refer to Custom End Cap/Xstream Clamp-On Sec 14) Refer to Filter Wrap Section 26) Top has 1/2" vent standard 31) Top has 21/32" center hole 30) Top has 23/32" center hole 27) Top has 7/16" vent standard 35) Top has two 0.400" vents

# Round Tapered

(F) Mounting Flange Inside Diameter		(D) Filter Base Diameter		(D) Filter Top Diameter		(L) Filter Length		(FL) Flange Length		(FA) Flange Style		(FO) Flange Offset		Rubber End Cap Part #	Chrome End Cap Part #	Custom End Cap Part #	Filter Wraps Part #
Inch	mm	Inch	mm	Inch	mm	Inch	mm	Inch	mm	Type	Angle	Inch	mm				
2-1/2	64	4-21/32	118	3-1/2	89	4-23/32	120	25/32	20	Centered					RC-9080		
		4-21/32	118	3-1/2	89	5-1/2	140	25/32	20	Centered					RC-9800		
		5	127	5-1/2	140	2-3/4	70	5/8	16	Centered						RE-0380	
		5-1/8	130	3-7/16	87	3-3/4	95	3/4	19	Offset		19/32	15		RC-9700		
		5-3/16	132	3-1/2	89	4-9/16	116	3/4	19	Offset		11/16	17		RC-9780		
		5-3/16	132	3-1/2	89	4-11/16	119	3/4	19	Offset		19/32	15		RC-9690 <sup>21</sup>		
		5-3/16	132	3-1/2	89	5-5/32	131	5/8	16	Offset		19/32	15		RC-9490		
		5-3/16	132	3-1/2	89	5-15/16	151	3/4	19	Offset		19/32	15		RC-9510 <sup>21</sup>		
		5-1/4	133	2-1/2	64	5-3/4	146	1-1/2	38	Angled	20°			RU-5006			
		5-1/4	133	2-1/2	64	5-3/4	146	1-1/2	38	Centered				RU-5005			
		5-1/4	133	3-1/2	89	4-1/2	114	11/16	17	Offset		5/8	16		RC-9420 <sup>6</sup>		
		5-3/8	137	5-1/2	140	5-7/8	149	3/4	19	Centered				E-1006			
		5-1/2	140	4-1/2	114	6	152	3/4	19	Centered					RC-4670		RF-1023DK <sup>13</sup>
		6	152	5	127	5	127	2	51	Centered				RU-5174			RX-4990DK <sup>13</sup>
		6	152	5	127	5-1/2	140	2	51	Centered				RU-4950		RX-4950 <sup>1</sup>	RX-4990DK <sup>13</sup>
		6	152	5	127	6-1/2	165	2	51	Centered				RU-4860		RX-4860 <sup>1</sup>	RX-4730DK <sup>13</sup>
		6-11/16	170	3-1/2	89	7-3/32	180	7/8	22	Offset		1	25		RC-9300		
		6-27/32	174	5-27/32	148	2-9/16	65	1-25/32	45	Angled	30°				RC-5049		
2-9/16	65	6-7/8	175	5-7/8	149	2-1/2	64	1-11/16	43	Offset		7/8	22		RC-4620 <sup>4</sup>		
2-5/8	67	5-3/16	132	3-1/2	89	4-1/2	114	3/4	19	Offset		21/32	17		RC-9250		
		5-3/16	132	3-1/2	89	6	152	3/4	19	Offset		1-1/2	38		RC-9340		
		5-3/4	146	3-1/2	89	6-11/16	170	3/4	19	Offset		1-1/2	38		RC-1586		
2-11/16	68	4-7/16	113	3-1/2	89	4-7/16	113	5/8	16	Centered					RC-9280		
		4-1/2	114	3	76	5	127	5/8	16	Centered					RC-4340		SN-2520PK
		5-3/16	132	3-1/2	89	4-5/16	110	3/4	19	Offset		9/16	14		RC-8070 <sup>23</sup>		
		5-3/16	132	3-1/2	89	4-3/8	111	3/4	19	Offset		9/16	14		RC-9400 <sup>24,22</sup>		
		5-3/16	132	3-1/2	89	4-7/16	113	3/4	19	Offset		9/16	14		RC-9650 <sup>36</sup>		
		5-3/16	132	3-1/2	89	4-1/2	114	3/4	19	Offset		9/16	14		RC-9580 <sup>25,22</sup>		
		5-3/16	132	3-1/2	89	4-9/16	116	3/4	19	Offset		9/16	14		RC-9440 <sup>21</sup>		
		5-3/16	132	3-1/2	89	4-9/16	116	5/8	16	Offset		19/32	15		RC-9560		
		5-3/16	132	3-1/2	89	6	152	3/4	19	Offset		19/32	15		RC-9680 <sup>17</sup>		
		5-3/16	132	3-1/2	89	6	152	3/4	19	Offset		9/16	14		RC-9590 <sup>17</sup>		
		5-3/16	132	4	102	3-7/16	87	3/4	19	Offset		19/32	15	RU-9160B			
		5-25/32	147	3-1/2	89	4-9/16	116	5/8	16	Offset		1/2	13		RC-9730 <sup>37,34</sup>		
2-23/32	69	6-11/16	170	3-1/2	89	7-23/32	196	5/8	16	Offset		1	25		RC-9290		
2-3/4	70	3-3/4	95	4	102	5-9/16	141	13/16	21	Centered				RU-5090			RC-9310DK
		4	102	2	51	6	152	1	25	Angled	10°			RU-3120			22-8030DK
		4	102	2	51	7	178	1	25	Angled	10°			RU-3590			
		4	102	3	76	5	127	1	25	Angled	10°			SN-2590			SN-2590PK
		4	102	3	76	6	152	1	25	Angled	10°			SN-2600			SN-2600PK
		4	102	3	76	6	152	2	51	Angled	20°			SN-2620			SN-2620PK
		4-7/16	113	3-1/2	89	4-11/16	119	5/8	16	Centered					RC-9870		
		4-1/2	114	3	76	4	102	5/8	16	Centered				SN-2580			SN-2580PK
		4-11/16	119	3-1/2	89	4-7/8	124	13/16	21	Centered					RC-9350		RC-9350DK <sup>13</sup>
		4-11/16	119	3-1/2	89	4-15/16	125	13/16	21	Centered					RC-5133		

20) 1/4-20 Jack Nut inserted into Filter Top 4) Base has 1/2" vent standard 45) Base has 1/32" vent standard 17) Base has 1/4" vent standard 43) Base has 11/16" vent standard 24) Base has 13/16" vent standard 34) Base has 13/32" vent standard 41) Base has 15/64" vent standard 36) Base has 19/32" vent standard 38) Base has 25/64" vent standard 39) Base has 29/32" vent standard 19) Base has 3/16" vent standard 23) Base has 3/4" vent standard 21) Base has 3/8" vent standard 40) Base has 3/164" vent standard 42) Base has 35/64" vent standard 44) Base has 45/64" vent standard 6) Base has 5/8" vent standard 37) Base has 55/64" vent standard 18) Base has 7/16" vent standard 25) Base has 7/8" vent standard 22) Base has 9/16" vent standard 5) Base has optional 1/2" vent 29) Black Powder Coated Top Plate 28) Carbon Fiber Top Plate 13) Colors available; DL=blue, DR=red, DY=yellow 11) Colors available; PL=blue, PR=red, PY=yellow 1) Filter has molded-in velocity stack 16) Filter is reverse tapered 32) Fits "Legend/Dwarf" race cars w/F1200 motors 12) Foam Pre-filter 33) Galvanized Top Plate 2) Metal top plate has 1/4-20 stud 3) Metal top-plate has 6MM stud 10) Offset is horizontal 7) Offset is vertical 9) Offset is vertical and to the left 8) Offset is vertical and to the right 15) Refer to Custom End Cap/Xstream Clamp-On Sec 14) Refer to Filter Wrap Section 26) Top has 1/2" vent standard 31) Top has 21/32" center hole 30) Top has 23/32" center hole 27) Top has 7/16" vent standard 35) Top has two 0.400" vents



# Round Tapered

(F) Mounting Flange Inside Diameter		(D) Filter Base Diameter		(D) Filter Top Diameter		(L) Filter Length		(FL) Flange Length		(FA) Flange Style		(FO) Flange Offset		Rubber End Cap Part #	Chrome End Cap Part #	Custom End Cap Part #	Filter Wraps Part #
Inch	mm	Inch	mm	Inch	mm	Inch	mm	Inch	mm	Type	Angle	Inch	mm				
2-3/4	70	4-11/16	119	3-1/2	89	5-5/16	135	13/16	21	Centered					RC-8340		
		4-3/4	121	3-1/2	89	5-7/8	149	13/16	21	Centered					RC-9310		RC-9310DK
		4-3/4	121	4	102	7-7/8	200	13/16	21	Centered					RC-5144		RC-4690DK <sup>13</sup>
		5-1/32	128	3-1/2	89	3-1/4	83	11/16	17	Centered					RC-5127		
		5-1/32	128	3-1/2	89	3-15/16	100	11/16	17	Centered					RC-5128		
		5-1/32	128	3-1/2	89	4-11/32	110	11/16	17	Centered					RC-5135		
		5-1/32	128	3-1/2	89	5-1/2	140	11/16	17	Centered					RC-5131		
		5-3/16	132	3-1/2	89	4-5/16	110	3/4	19	Offset		1/2	13		RC-4490 <sup>6,23</sup>		
		5-3/16	132	3-1/2	89	4-3/8	111	3/4	19	Offset		17/32	13		RC-9980 <sup>21,22</sup>		
		5-3/16	132	3-1/2	89	4-31/32	126	5/8	16	Offset		19/32	15		RC-8470 <sup>40,38</sup>		
		5-3/16	132	3-1/2	89	5-1/8	130	3/4	19	Offset		11/16	17		RC-4500 <sup>2</sup>		25-3900
		5-1/4	133	3-1/2	89	4-11/32	110	3/4	19	Offset		15/32	12		RC-8410 <sup>17</sup>		
		5-1/2	140	4-1/2	114	7	178	2-1/2	64	Angled	30°				RC-4790		25-3900
		5-25/32	147	3-1/2	89	4-17/32	115	3/4	19	Offset		1/2	13		RC-9940		
		5-7/8	149	4-3/4	121	2-5/8	67	3/4	19	Centered					RU-3390		
		5-7/8	149	4-3/4	121	5	127	3/4	19	Centered					RU-4450		25-3900
		5-7/8	149	4-3/4	121	7	178	3/4	19	Centered					RU-3610		25-3900
		5-7/8	149	5-1/4	133	5	127	3/4	19	Centered						RR-2803	
		6	152	5	127	5-1/2	140	2	51	Centered					RU-4960XD		RX-4960 <sup>1</sup> RX-4990DK <sup>13</sup>
		6	152	5	127	6-1/2	165	2	51	Centered					RU-4870		RX-4870 RX-4730DK <sup>13</sup>
		6-3/4	171	5-7/8	149	3-1/4	83	3/4	19	Centered					RC-4850 <sup>1</sup>	E-2232	
2-13/16	71	4-7/16	113	3-1/2	89	5	127	3-9/16	90	Centered					RC-4510		25-3900
		6-7/8	175	5-7/8	149	3-1/8	79	3/4	19	Offset		3/4	19		RC-4640 <sup>4</sup>		
2-27/32	72	4-1/2	114	3-1/2	89	5-29/32	150	3/4	19	Centered					RC-5159		
		5-3/16	132	3-3/4	95	3-3/4	95	3/4	19	Centered					RU-5146		
2-7/8	73	4	102	3	76	5	127	5/8	16	Centered					RC-2600		25-3900
		4-1/4	108	4	102	4-3/4	121	15/16	24	Centered						RX-4020-1 <sup>1</sup>	
		4-1/2	114	3-1/2	89	5-7/8	149	3/4	19	Centered					RC-5136		25-3900
		5-3/16	132	3-1/2	89	4-7/16	113	3/4	19	Offset		15/32	12		RC-4570 <sup>6</sup>		
		5-3/16	132	3-1/2	89	4-1/2	114	2-7/8	73	Offset		1/2	13		RC-8390		
2-29/32	74	4-21/32	118	2-5/16	59	5-29/32	150	23/32	18	Centered					RU-9220		25-3900
2-15/16	75	6-3/4	171	5-7/8	149	3-1/8	79	3/4	19	Offset		13/16	21		RC-4770 <sup>4</sup>		
3	76	4-1/2	114	3-1/2	89	4-5/16	110	3/4	19	Centered					RC-9410		
		4-1/2	114	3-1/2	89	5-3/4	146	3/4	19	Centered					RU-5111		25-3900
		4-1/2	114	6	152	4-5/8	117	7/8	22	Centered						RX-3900-1 <sup>1</sup>	
		5	127	3-1/2	89	4-5/8	117	3/4	19	Centered					RC-9480		
		5	127	3-1/2	89	5-15/16	151	3/4	19	Centered					RC-9640		
		5	127	3-1/2	89	6	152	1-3/4	44	Centered					RF-1039		RC-4160DK
		5	127	4	102	6	152	1-3/4	44	Centered					RC-4650		RC-4650DK <sup>13</sup>
		5	127	4	102	7-7/8	200	1-1/4	32	Centered					RC-4690		RC-4690DK <sup>13</sup>
		5	127	4-1/2	114	5	127	1-3/4	44	Centered					RC-3870		25-3900
		5	127	4-1/2	114	6-1/2	165	1-13/16	46	Centered					RF-1030		RC-4630DK <sup>13</sup>
		5	127	4-5/8	117	4	102	1-3/4	44	Centered					RU-3700		22-8014PK
		5	127	4-5/8	117	8	203	1-3/4	44	Centered					RE-0910		RE-0910PK
		6	152	3-1/2	89	6	152	1-3/4	44	Centered					RC-4290		

20) 1/4-20 Jack Nut inserted into Filter Top 4) Base has 1/2" vent standard 45) Base has 1/32" vent standard 17) Base has 1/4" vent standard 43) Base has 11/16" vent standard 24) Base has 13/16" vent standard 34) Base has 13/32" vent standard 41) Base has 15/64" vent standard 36) Base has 19/32" vent standard 38) Base has 25/64" vent standard 39) Base has 29/32" vent standard 19) Base has 3/16" vent standard 23) Base has 3/4" vent standard 21) Base has 3/8" vent standard 40) Base has 3/164" vent standard 42) Base has 3/864" vent standard 44) Base has 45/64" vent standard 6) Base has 5/8" vent standard 37) Base has 55/64" vent standard 18) Base has 7/16" vent standard 25) Base has 7/8" vent standard 22) Base has 9/16" vent standard 5) Base has optional 1/2" vent 29) Black Powder Coated Top Plate 28) Carbon Fiber Top Plate 13) Colors available; DL=blue, DR=red, DY=yellow 11) Colors available; PL=blue, PR=red, PY=yellow 1) Filter has molded-in velocity stack 16) Filter is reverse tapered 32) Fits "Legend/Dwarf" race cars w/FJ1200 motors 12) Foam Pre-filter 33) Galvanized Top Plate 2) Metal top plate has 1/4-20 stud 3) Metal top-plate has 6MM stud 10) Offset is horizontal 7) Offset is vertical 9) Offset is vertical and to the left 8) Offset is vertical and to the right 15) Refer to Custom End Cap/Xstream Clamp-On Sec 14) Refer to Filter Wrap Section 26) Top has 1/2" vent standard 31) Top has 21/32" center hole 30) Top has 23/32" center hole 27) Top has 7/16" vent standard 35) Top has two 0.400" vents

# Round Tapered

(F) Mounting Flange Inside Diameter		(D) Filter Base Diameter		(D) Filter Top Diameter		(L) Filter Length		(FL) Flange Length		(FA) Flange Style		(FO) Flange Offset		Rubber End Cap Part #	Chrome End Cap Part #	Custom End Cap Part #	Filter Wraps Part #
Inch	mm	Inch	mm	Inch	mm	Inch	mm	Inch	mm	Type	Angle	Inch	mm				
3	76	6	152	4	102	5	127	1-3/4	44	Centered				RU-3580			25-3900
		6	152	4	102	6-3/4	171	1-3/4	44	Centered					RC-4700		RC-4700DK <sup>13</sup>
		6	152	4	102	8-11/16	221	15/16	24	Centered						RX-3990-1 <sup>1</sup>	
		6	152	4-1/2	114	6	152	1-3/4	44	Centered					RC-4180		22-8033PK
		6	152	4-1/2	114	8	203	1-3/4	44	Centered					RC-5106		RC-5106DK <sup>13</sup>
		6	152	4-5/8	117	9	229	1-3/4	44	Centered				RE-0810			25-0810
		6	152	4-5/8	117	12	305	1-3/4	44	Centered				RE-0800			22-8034PK
		6	152	4-5/8	117	14	356	1-3/4	44	Centered				RE-0820			22-8035PK
		6	152	4-3/4	121	6	152	1-3/4	44	Centered				RE-0930			22-8033PK
		6	152	5	127	5	127	2	51	Centered				RU-5176			RX-4990DK <sup>13</sup>
		6	152	5	127	5-9/16	141	1-7/8	48	Centered				RU-4990		RX-4990 <sup>1</sup>	RX-4990DK <sup>13</sup>
		6	152	5	127	6	152	1-3/4	44	Centered						RF-1047	25-3900
		6	152	5	127	6-1/2	165	1-7/8	48	Centered				RU-4730		RX-4730XD <sup>1</sup>	RX-4730DK <sup>13</sup>
		6	152	5-1/8	130	5	127	1-3/4	44	Centered				RU-3570			RX-4990DK <sup>13</sup>
		6	152	5-1/4	133	5	127	1-3/4	44	Centered						RR-3003	
		6	152	5-7/8	149	6	152	1-3/4	44	Centered						RD-1100	
3-1/8	79	4-7/8	124	3-1/2	89	5-7/16	138	23/32	18	Centered					RC-9240		
		4-15/16	125	3-1/2	89	3-15/16	100	3/4	19	Centered					RC-9270		
		4-15/16	125	3-1/2	89	4-3/8	111	3/4	19	Centered					RC-9160		
		4-15/16	125	3-1/2	89	4-5/8	117	3/4	19	Centered					RC-8220		
		5	127	3-1/2	89	6	152	3/4	19	Centered					RC-9320		RC-4160DK
		6	152	4-5/8	117	14	356	1-3/4	44	Centered				RE-0940			
		6	152	5	127	7	178	1-3/4	44	Centered					RC-5100		RC-5100DK <sup>13</sup>
3-5/32	80	4-15/16	125	3-1/2	89	6-21/32	169	3/4	19	Centered					RC-8250		
		5-3/4	146	3-1/2	89	4-7/16	113	3/4	19	Offset		1/2	13		RC-9110 <sup>4</sup>		
		5-25/32	147	3-1/2	89	4-17/32	115	3/4	19	Centered					RC-9670		
		5-25/32	147	3-1/2	89	4-17/32	115	3/4	19	Offset		1/2	13		RC-9910		
		5-25/32	147	3-1/2	89	5-15/32	139	3/4	19	Offset		1/2	13		RC-8370 <sup>40</sup>		
		5-25/32	147	3-1/2	89	7-23/32	196	5/8	16	Centered					RC-9950 <sup>43,34</sup>		
		6-15/16	176	3-1/2	89	7-27/32	199	3/4	19	Offset		13/32	10		RC-8450		
3-3/16	81	5-5/16	135	3-7/16	87	3-1/16	78	5/8	16	Centered					RC-9720		
3-7/32	82	4-15/16	125	3-1/2	89	5-9/16	141	5/8	16	Centered					RC-9610		
3-1/4	83	5-1/2	140	4-1/2	114	8	203	5/8	16	Centered					RF-1025 <sup>19</sup>		RC-5106DK <sup>13</sup>
		5-1/2	140	4-11/16	119	8	203	1-5/8	41	Centered				RU-5122			RC-5106DK <sup>13</sup>
		5-3/4	146	3-1/2	89	4-25/32	121	3/4	19	Offset		9/16	14		RC-9660 <sup>4</sup>		
		5-3/4	146	3-1/2	89	5-1/2	140	23/32	18	Offset		5/8	16		RC-1637		
		5-3/4	146	3-1/2	89	6-9/16	167	3/4	19	Offset		1/2	13		RC-4470		25-3900
		5-3/4	146	3-1/2	89	6-5/8	168	3/4	19	Offset		1/2	13		RC-4560 <sup>2</sup>		25-3900
3-5/16	84	4-3/4	121	3-1/2	89	6	152	3/4	19	Centered					RC-4540		25-3900
		4-3/4	121	3-1/2	89	6-1/2	165	5/8	16	Centered				RU-2710	RC-2710		25-3900
		4-7/8	124	4	102	4-1/4	108	15/16	24	Centered						RX-4120-1 <sup>1</sup>	
		5-13/16	148	3-1/2	89	6-9/32	160	7/8	22	Offset		1/2	13		RC-8110 <sup>42</sup>		
3-11/32	85	4-15/16	125	3-1/2	89	4-9/16	116	5/8	16	Centered					RC-9790		
3-3/8	86	5-3/4	146	3-1/2	89	4-1/4	108	3/4	19	Offset		9/16	14		RC-8200 <sup>3,4</sup>		
		5-3/4	146	3-1/2	89	4-7/16	113	3/4	19	Offset		9/16	14		RC-9970 <sup>4</sup>		

20) 1/4-20 Jack Nut inserted into Filter Top 4) Base has 1/2" vent standard 45) Base has 1/32" vent standard 17) Base has 1/4" vent standard 43) Base has 11/16" vent standard 24) Base has 13/16" vent standard 34) Base has 13/32" vent standard 41) Base has 5/64" vent standard 36) Base has 19/32" vent standard 38) Base has 25/64" vent standard 39) Base has 29/32" vent standard 19) Base has 3/16" vent standard 23) Base has 3/4" vent standard 21) Base has 3/8" vent standard 40) Base has 31/64" vent standard 42) Base has 35/64" vent standard 44) Base has 45/64" vent standard 6) Base has 5/8" vent standard 37) Base has 55/64" vent standard 18) Base has 7/16" vent standard 25) Base has 7/8" vent standard 22) Base has 9/16" vent standard 5) Base has optional 1/2" vent 29) Black Powder Coated Top Plate 28) Carbon Fiber Top Plate 13) Colors available; DL=blue, DR=red, DY=yellow 11) Colors available; PL=blue, PR=red, PY=yellow 1) Filter has molded-in velocity stack 16) Filter is reverse tapered 32) Fits "Legend/Dwarf" race cars w/F1200 motors 12) Foam Pre-filter 33) Galvanized Top Plate 2) Metal top plate has 1/4-20 stud 3) Metal top-plate has 6MM stud 10) Offset is horizontal 7) Offset is vertical 9) Offset is vertical and to the left 8) Offset is vertical and to the right 15) Refer to Custom End Cap/Xstream Clamp-On Sec 14) Refer to Filter Wrap Section 26) Top has 1/2" vent standard 31) Top has 21/32" center hole 30) Top has 23/32" center hole 27) Top has 7/16" vent standard 35) Top has two 0.400" vents

# Round Tapered

(F) Mounting Flange Inside Diameter		(D) Filter Base Diameter		(D) Filter Top Diameter		(L) Filter Length		(FL) Flange Length		(FA) Flange Style		(FO) Flange Offset		Rubber End Cap Part #	Chrome End Cap Part #	Custom End Cap Part #	Filter Wraps Part #
Inch	mm	Inch	mm	Inch	mm	Inch	mm	Inch	mm	Type	Angle	Inch	mm				
3-3/8	86	5-3/4	146	3-1/2	89	4-7/8	124	3/4	19	Offset		9/16	14		RC-8000 <sup>18</sup>		
		5-3/4	146	3-1/2	89	5-7/16	138	3/4	19	Offset		5/8	16		RC-9120 <sup>35</sup>		
		5-3/4	146	3-1/2	89	6-15/16	176	3/4	19	Offset		9/16	14			RC-8150	
		5-13/16	148	4	102	6	152	5/8	16	Centered				RU-5168			RU-5168DK
		6	152	4-1/2	114	9	229	3/4	19	Centered						RP-5118	RC-3690DK <sup>13</sup>
3-13/32	87	5-13/16	148	3-1/2	89	7-27/32	199	3/4	19	Offset		1	25		RC-8260 <sup>38</sup>		
3-1/2	89	4-5/8	117	3-1/2	89	3	76	5/8	16	Centered				RU-4410			
		4-5/8	117	3-1/2	89	4-1/2	114	5/8	16	Centered				RU-2790			
		4-5/8	117	3-1/2	89	5-1/2	140	5/8	16	Centered				RU-3550			25-3900
		4-5/8	117	3-1/2	89	7	178	5/8	16	Centered				RU-3130			RU-3130DK
		5	127	3-1/2	89	4	102	5/8	16	Centered				RU-2990			
		5	127	5-1/8	130	2	51	5/8	16	Centered					RC-4230 <sup>16</sup>		
		5-1/2	140	4	102	8	203	1-1/4	32	Centered					RF-1045		RF-1045DK <sup>13</sup>
		5-1/2	140	4-1/2	114	6-1/2	165	1-1/4	32	Centered					RC-4630XD	RP-4630	RC-4630DK <sup>13</sup>
		5-1/2	140	4-1/2	114	8	203	1-1/4	32	Centered					RC-4760		RC-5106DK <sup>13</sup>
		5-3/4	146	3-1/2	89	6	152	1-3/4	44	Angled	10°				RF-1035		RF-1035DK <sup>13</sup>
		5-3/4	146	3-3/4	95	6	152	1-3/4	44	Angled	10°			RF-1031			RU-5168DK
		5-3/4	146	4-1/2	114	6	152	1-3/4	44	Angled	10°				RF-1023		22-8033PK
		5-3/4	146	5	127	7	178	1-3/4	44	Angled	10°				RF-1016 <sup>2</sup>		25-3900
		5-3/4	146	5	127	8	203	1-3/4	44	Angled	10°				RF-1003 <sup>2</sup>		
		5-3/4	146	5	127	12-1/8	308	1-3/4	44	Angled	10°				RF-1004 <sup>2</sup>		
		6	152	4-1/2	114	9	229	1-3/4	44	Centered					RC-3690		RC-3690DK <sup>13</sup>
		6	152	4-5/8	117	6	152	1-3/4	44	Centered				RE-0950			22-8033PK
		6	152	4-5/8	117	9	229	1-3/4	44	Centered				RE-0920			RE-0810PK
		8	203	6-5/8	168	8	203	1-1/2	38	Centered				RC-5112 <sup>29,31</sup>			RC-5112DK
		8	203	7	178	12-1/2	318	1-1/2	38	Centered					RC-5165		RC-5165DK
3-5/8	92	4	102	3-3/4	95	6	152	5/8	16	Centered				RD-6010			
3-23/32	94	6	152	3-1/2	89	5	127	5/8	16	Offset		1/2	13		RC-8490 <sup>18</sup>		
3-3/4	95	5-3/8	137	4-3/8	111	5	127	5/8	16	Centered				RU-4250			25-3900
		5-3/8	137	4-3/8	111	7	178	5/8	16	Centered				RU-3530			RU-2590DK
		5-3/4	146	3-1/2	89	6-3/4	171	3/4	19	Offset		7/16	11		RC-8480		25-3900
3-13/16	97	6-13/16	173	6	152	2-1/8	54	3/4	19	Centered						RX-4130-1 <sup>1</sup>	
3-7/8	98	4-1/4	108	3-1/2	89	4-1/4	108	7/16	11	Centered				RD-6020			
		4-1/4	108	4	102	6	152	7/16	11	Centered				RD-6000			22-8031PK
		5-1/2	140	2-7/8	73	3-9/32	83	3/4	19	Centered						RC-5153	
		6-3/4	171	5-7/8	149	2-3/4	70	3/4	19	Offset		3/8	10		RC-4840 <sup>4</sup>		
3-27/32	98	6-7/8	175	5-7/8	149	2-25/32	71	3/4	19	Offset		7/16	11		RC-9600		
		6-7/8	175	5-7/8	149	3-3/16	81	3/4	19	Offset		13/32	10		RC-9990 <sup>24</sup>		
		6-15/16	176	3-1/2	89	2-11/16	68	3/4	19	Centered					RC-9520		
		6-15/16	176	3-1/2	89	3-5/32	80	3/4	19	Offset		3/4	19		RC-9860		
3-7/8	98	6-15/16	176	3-1/2	89	7-23/32	196	5/8	16	Offset		3/8	10		RC-9540		
		7-1/2	191	5-1/8	130	7	178	1-1/2	38	Centered					RF-1029		RF-1029DK <sup>13</sup>
3-15/16	100	5-7/16	138	4-1/2	114	3-5/8	92	11/16	17	Centered					RC-5057		
		5-7/16	138	4-1/2	114	4-1/2	114	13/16	21	Centered						RC-5059	
		5-7/16	138	4-1/2	114	5	127	11/16	17	Centered					RC-5156		

20) 1/4-20 Jack Nut inserted into Filter Top 4) Base has 1/2" vent standard 45) Base has 1/32" vent standard 17) Base has 1/4" vent standard 43) Base has 11/16" vent standard 24) Base has 13/16" vent standard 34) Base has 13/32" vent standard 41) Base has 5/64" vent standard 36) Base has 19/32" vent standard 38) Base has 25/64" vent standard 39) Base has 29/32" vent standard 19) Base has 3/16" vent standard 23) Base has 3/4" vent standard 21) Base has 3/8" vent standard 40) Base has 31/64" vent standard 42) Base has 35/64" vent standard 44) Base has 45/64" vent standard 6) Base has 5/8" vent standard 37) Base has 55/64" vent standard 18) Base has 7/16" vent standard 25) Base has 7/8" vent standard 22) Base has 9/16" vent standard 5) Base has optional 1/2" vent 29) Black Powder Coated Top Plate 28) Carbon Fiber Top Plate 13) Colors available; DL=blue, DR=red, DY=yellow 11) Colors available; PL=blue, PR=red, PY=yellow 1) Filter has molded-in velocity stack 16) Filter is reverse tapered 32) Fits "Legend/Dwarf" race cars w/F1200 motors 12) Foam Pre-filter 33) Galvanized Top Plate 2) Metal top plate has 1/4-20 stud 3) Metal top-plate has 6MM stud 10) Offset is horizontal 7) Offset is vertical 9) Offset is vertical and to the left 8) Offset is vertical and to the right 15) Refer to Custom End Cap/Xstream Clamp-On Sec 14) Refer to Filter Wrap Section 26) Top has 1/2" vent standard 31) Top has 21/32" center hole 30) Top has 23/32" center hole 27) Top has 7/16" vent standard 35) Top has two 0.400" vents



# Round Tapered

(F) Mounting Flange Inside Diameter		(D) Filter Base Diameter		(D) Filter Top Diameter		(L) Filter Length		(FL) Flange Length		(FA) Flange Style		(FO) Flange Offset		Rubber End Cap Part #	Chrome End Cap Part #	Custom End Cap Part #	Filter Wraps Part #	
Inch	mm	Inch	mm	Inch	mm	Inch	mm	Inch	mm	Type	Angle	Inch	mm					
3-15/16	100	5-7/16	138	4-1/2	114	5-15/16	151	11/16	17	Centered					RC-5058			
		5-1/2	140	4-1/2	114	5-15/16	151	3/4	19	Centered					RC-5053			
		7-1/2	191	4-7/16	113	6-5/16	160	1-15/32	37	Centered					RC-1620			
4	102	5-3/8	137	3-1/2	89	6	152	5/8	16	Centered				RU-5141 <sup>35</sup>			RP-4660DK <sup>13</sup>	
		5-3/8	137	4	102	5-1/16	129	5/8	16	Centered						RP-4930	RP-4660DK <sup>13</sup>	
		5-3/8	137	4	102	5-1/2	140	5/8	16	Centered						RP-4660	RP-4660DK <sup>13</sup>	
		5-3/8	137	4	102	6-1/2	165	5/8	16	Centered					RC-5149	RP-4980	RC-5149DK	
		5-3/8	137	4	102	7	178	5/8	16	Centered						RP-4970	22-8032PK	
		5-3/8	137	4-3/8	111	3-1/2	89	5/8	16	Centered					RU-2510			
		5-3/8	137	4-3/8	111	5	127	5/8	16	Centered					RU-2520			25-3900
		5-3/8	137	4-3/8	111	7	178	5/8	16	Centered					RU-2590			RU-2590DK
		5-3/8	137	4-1/2	114	5	127	5/8	16	Centered						RC-3600		25-3900
		5-3/8	137	4-1/2	114	6	152	5/8	16	Centered						RF-1049 <sup>3</sup>		RF-1023DK <sup>13</sup>
		5-3/8	137	4-1/2	114	7-1/2	191	5/8	16	Centered						RF-1007 <sup>2</sup>		
		5-3/8	137	4-1/2	114	8	203	5/8	16	Centered						RC-4580		
		5-3/8	137	5	127	6-1/2	165	5/8	16	Centered						RF-1018 <sup>2,26</sup>		25-3900
		6	152	4	102	7	178	1-3/4	44	Centered						RC-4680		RF-1032DK <sup>13</sup>
		6	152	4	102	8	203	1-3/4	44	Centered						RF-1046		
		6	152	4-1/2	114	7	178	5/8	16	Centered						RF-1015		RF-1015DK <sup>13</sup>
		6	152	4-5/8	117	9	229	1-3/4	44	Centered						RE-0870		25-0810
		6	152	4-5/8	117	12	305	1-3/4	44	Centered						RE-0860		22-8034PK
		6	152	4-5/8	117	14	356	1-3/4	44	Centered						RE-0880		22-8035PK
		6-1/2	165	4-1/2	114	6	152	1-3/4	44	Centered						RC-5060		RC-5060DK <sup>13</sup>
6-1/2	165	4-1/2	114	7	178	1-3/4	44	Centered						RF-1032		RF-1032DK <sup>13</sup>		
6-1/2	165	4-1/2	114	8	203	1-3/4	44	Centered						RF-1027		RF-1027DK <sup>13</sup>		
6-5/8	168	5-1/4	133	9-1/2	241	1-11/16	43	Centered							RC-4780 <sup>2,29,30</sup>	RC-4780DK <sup>13</sup>		
6-3/4	171	5-7/8	149	9-1/2	241	1-3/4	44	Centered						RU-5045		RU-5045DK		
6-7/8	175	5-7/8	149	2-3/4	70	3/4	19	Offset			1/2	13		RC-9500 <sup>19</sup>				
6-15/16	176	1-7/8	48	3-3/4	95	5/8	16	Offset			3/8	10		RC-9470 <sup>45</sup>				
8	203	6-5/8	168	12	305	1-1/2	38	Centered							RC-5171	25-5166		
4-1/16	103	6-7/8	175	5-7/8	149	2-3/16	56	3/4	19	Offset		15/32	12		RC-4480 <sup>4</sup>			
4-1/8	105	7-3/8	187	6-5/8	168	7-7/8	200	1-1/8	29	Centered						RC-4900 <sup>29,31</sup>	RC-4900DK <sup>13</sup>	
		7-3/8	187	7	178	11-1/2	292	1-1/8	29	Centered					RC-5181		RF-1026DK	
4-1/4	108	5-7/8	149	4-1/2	114	6-3/4	171	5/8	16	Centered					RP-5167	RF-1037DK <sup>13</sup>		
4-5/16	110	5-1/2	140	3-1/2	89	3-3/8	86	5/8	16	Centered					RC-9460			
		5-1/2	140	3-1/2	89	4-3/8	111	5/8	16	Centered					RC-9890			
4-3/8	111	5-1/2	140	3-1/2	89	5-3/16	132	15/16	24	Centered					RC-9210			
		6	152	4-5/8	117	6-1/2	165	1-1/4	32	Angled	10°				RU-5061		RX-4990DK <sup>13</sup>	
4-7/16	113	5-9/16	141	5-3/8	137	6-7/8	175	15/16	24	Centered					RC-1645			
4-1/2	114	5-7/8	149	4	102	6	152	5/8	16	Centered						RP-5101	RU-5168DK	
		5-7/8	149	4-1/2	114	4-1/2	114	5/8	16	Centered					RF-1005			
		5-7/8	149	4-1/2	114	5	127	5/8	16	Centered						RT-4610	25-3900	
		5-7/8	149	4-1/2	114	6	152	5/8	16	Centered					RU-4740	RP-4740	RF-1023DK <sup>13</sup>	
		5-7/8	149	4-1/2	114	8-3/8	213	5/8	16	Centered					RF-1008		RC-5106DK <sup>13</sup>	
5-7/8	149	5	127	3-1/4	83	5/8	16	Centered					RU-3110					

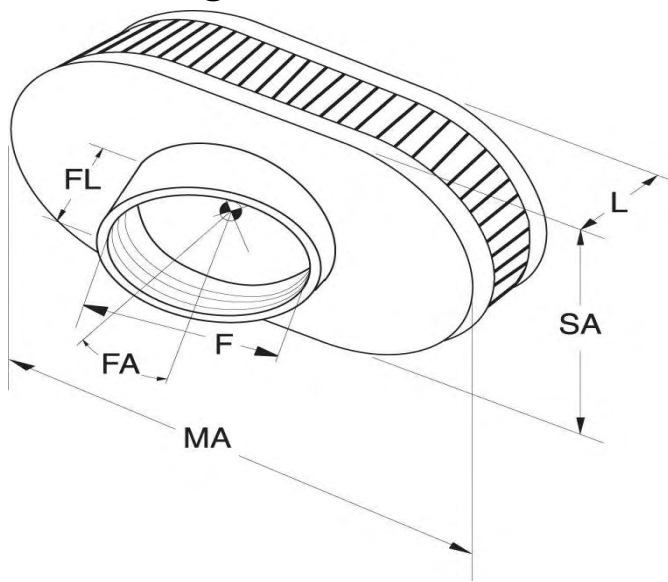
20) 1/4-20 Jack Nut inserted into Filter Top 4) Base has 1/2" vent standard 45) Base has 1/32" vent standard 17) Base has 1/4" vent standard 43) Base has 11/16" vent standard 24) Base has 13/16" vent standard 34) Base has 13/32" vent standard 41) Base has 5/64" vent standard 36) Base has 19/32" vent standard 39) Base has 29/32" vent standard 19) Base has 3/16" vent standard 23) Base has 3/4" vent standard 21) Base has 3/8" vent standard 40) Base has 31/64" vent standard 42) Base has 35/64" vent standard 44) Base has 45/64" vent standard 37) Base has 55/64" vent standard 18) Base has 7/16" vent standard 25) Base has 7/8" vent standard 22) Base has 9/16" vent standard 5) Base has optional 1/2" vent 29) Black Powder Coated Top Plate 28) Carbon Fiber Top Plate 13) Colors available; DL=blue, DR=red, DY=yellow 11) Colors available; PL=blue, PR=red, PY=yellow 1) Filter has molded-in velocity stack 16) Filter is reverse tapered 32) Fits "Legend/Dwarf" race cars w/F1200 motors 12) Foam Pre-filter 33) Galvanized Top Plate 2) Metal top plate has 1/4-20 stud 3) Metal top-plate has 6MM stud 10) Offset is horizontal 7) Offset is vertical 9) Offset is vertical and to the left 8) Offset is vertical and to the right 15) Refer to Custom End Cap/Xstream Clamp-On Sec 14) Refer to Filter Wrap Section 26) Top has 1/2" vent standard 31) Top has 21/32" center hole 27) Top has 7/16" vent standard 35) Top has two 0.400" vents

# Round Tapered

(F) Mounting Flange Inside Diameter		(D) Filter Base Diameter		(D) Filter Top Diameter		(L) Filter Length		(FL) Flange Length		(FA) Flange Style		(FO) Flange Offset		Rubber End Cap Part #	Chrome End Cap Part #	Custom End Cap Part #	Filter Wraps Part #	
Inch	mm	Inch	mm	Inch	mm	Inch	mm	Inch	mm	Type	Angle	Inch	mm					
4-1/2	114	5-7/8	149	5	127	6	152	5/8	16	Centered				RU-3480			RU-3480PK	
		5-7/8	149	5-1/8	130	5	127	5/8	16	Centered				RU-4260			25-3900	
		8	203	6-5/8	168	8	203	1-3/8	35	Centered						RC-5142 <sup>29,31</sup>	RC-5112DK	
		8	203	6-5/8	168	12	305	1-3/8	35	Centered						RC-5166	25-5166	
4-7/8	124	9	229	6-5/8	168	7-15/16	202	1-1/4	32	Centered				RU-5172			RC-5139DK	
5	127	6-1/2	165	4-3/8	111	7	178	1	25	Centered				RU-2800			25-3900	
		6-1/2	165	4-1/2	114	4-1/8	105	1	25	Centered				RU-5163			RU-5163DK	
		6-1/2	165	4-1/2	114	5-1/2	140	1	25	Centered				RU-5147			RU-5147DK	
		6-1/2	165	4-1/2	114	5-5/8	143	1	25	Centered						RP-5113	RU-5147DK	
		6-1/2	165	5	127	6-1/2	165	1	25	Centered					RF-1037			RF-1037DK <sup>13</sup>
		6-1/2	165	6-3/4	171	5	127	1	25	Centered					RU-5109			25-3900
6	152	7-1/2	191	4-1/2	114	4	102	1	25	Centered				RU-4600		RT-4600	22-8036PK	
		7-1/2	191	4-1/2	114	5	127	1	25	Centered						RT-4590	22-8049DK	
		7-1/2	191	4-1/2	114	5	127	5/8	16	Centered					RC-5138			22-8049DK
		7-1/2	191	4-1/2	114	6	152	5/8	16	Centered					RF-1048			RF-1048DK <sup>13</sup>
		7-1/2	191	4-1/2	114	6-1/2	165	5/8	16	Centered					RC-5107			RC-5107DK <sup>13</sup>
		7-1/2	191	4-1/2	114	9	229	5/8	16	Centered					RC-5046			RC-5046DK <sup>13</sup>
		7-1/2	191	5	127	4	102	1	25	Centered					RF-1009			22-8036PK
		7-1/2	191	5	127	5	127	1	25	Centered					RC-2960XD			22-8049DK
		7-1/2	191	5	127	6	152	1	25	Centered					RU-3100	RF-1036		RF-1036DK <sup>13</sup>
		7-1/2	191	5	127	6	152	5/8	16	Centered					RF-1043			22-8037PK
		7-1/2	191	5	127	6-1/2	165	1	25	Centered					RF-1042XD			RF-1042DK <sup>13</sup>
		7-1/2	191	5	127	7-1/2	191	1	25	Centered					RF-1041			RF-1041DK <sup>13</sup>
		7-1/2	191	5	127	8	203	1	25	Centered					RU-3050	RF-1020		RF-1020DK <sup>13</sup>
		7-1/2	191	5	127	8	203	5/8	16	Centered					RF-1044XD	RP-5143		RF-1020DK <sup>13</sup>
		7-1/2	191	5	127	10	254	1	25	Centered					RU-3280			
		7-1/2	191	5-7/8	149	3	76	1	25	Centered					RF-1028			RF-1028DK <sup>13</sup>
		7-1/2	191	5-7/8	149	6	152	1	25	Centered					RC-4940			RC-5173DK
		7-1/2	191	5-7/8	149	6	152	5/8	16	Centered					RC-5173			RC-5173DK
		7-1/2	191	5-7/8	149	6-1/2	165	1	25	Centered					RF-1014			RF-1014DK <sup>13</sup>
		7-1/2	191	7	178	4	102	1	25	Centered					RF-1010 <sup>2</sup>			
7-1/2	191	7	178	8	203	1	25	Centered					RF-1017 <sup>2</sup>			22-8050PK		
7-1/2	191	7	178	11	279	1	25	Centered					RF-1026			RF-1026DK		
7-1/2	191	7	178	18	457	1	25	Centered					RC-3070 <sup>2</sup>			RC-3070DK		
9	229	6-5/8	168	7-1/2	191	1-1/8	29	Centered							RC-5183	RC-5139DK		

20) 1/4-20 Jack Nut inserted into Filter Top 4) Base has 1/2" vent standard 45) Base has 1/32" vent standard 17) Base has 1/4" vent standard 43) Base has 11/16" vent standard 24) Base has 13/16" vent standard 34) Base has 13/32" vent standard 41) Base has 15/64" vent standard 36) Base has 19/32" vent standard 38) Base has 25/64" vent standard 39) Base has 29/32" vent standard 19) Base has 3/16" vent standard 23) Base has 3/4" vent standard 21) Base has 3/8" vent standard 40) Base has 31/64" vent standard 42) Base has 35/64" vent standard 44) Base has 45/64" vent standard 6) Base has 5/8" vent standard 37) Base has 55/64" vent standard 18) Base has 7/16" vent standard 25) Base has 7/8" vent standard 22) Base has 9/16" vent standard 5) Base has optional 1/2" vent 29) Black Powder Coated Top Plate 28) Carbon Fiber Top Plate 13) Colors available; DL=blue, DR=red, DY=yellow 11) Colors available; PL=blue, PR=red, PY=yellow 1) Filter has molded-in velocity stack 16) Filter is reverse tapered 32) Fits "Legend/Dwarf" race cars w/FJ1200 motors 12) Foam Pre-filter 33) Galvanized Top Plate 2) Metal top plate has 1/4-20 stud 3) Metal top-plate has 6MM stud 10) Offset is horizontal 7) Offset is vertical 9) Offset is vertical and to the left 8) Offset is vertical and to the right 15) Refer to Custom End Cap/Xstream Clamp-On Sec 14) Refer to Filter Wrap Section 26) Top has 1/2" vent standard 31) Top has 21/32" center hole 30) Top has 23/32" center hole 27) Top has 7/16" vent standard 35) Top has two 0.400" vents

# Oval Straight



When selecting one of K&N's universal oval air filters, you should consider the following dimensions as they relate to the specification chart:

(F) Mounting Flange Inside Diameter - This is the most critical dimension and should be very close to the diameter of the application's inlet flange. The flange will stretch up to 1/16" for those in-between sizes.

(MA / SA) Filter Oval Dimensions - This is the length and width of the filter. Always use the largest filter practical to fit the application.

(L) Filter Length - This dimension is the length of the filter body only, it does not include the flange length. Always use the longest filter practical for maximum filtration.

(FA / FL) Flange Angle and/or Length - If no angle is listed in the specifications table, then the flange is straight. Any angle listed is in degrees and can be utilized when space is a problem.

(FO) Flange Offset - In some cases the center of the flange is offset from the center of the filter base in order to provide a better fit.

(F) Mounting Flange Inside Diameter		(MA/SA) Filter Dimensions		(L) Filter Length		(FL) Flange Length		(FA) Flange Style		(FO) Flange Offset		Rubber End Cap Part #	Chrome End Cap Part #	Filter Wraps 14
Inch	mm	Inch	mm	Inch	mm	Inch	mm	Type	Angle	Inch	mm			Part #
1-1/2	38	3-3/4x4-1/2	95x114	2-3/4	70	1	25	Angled	30°			R-0640		
2-1/16	52	4-1/2x7	114x178	1-1/2	38	7/8	22	Offset		1/2	13	RA-0700 <sup>5</sup>	RA-070V <sup>5</sup>	22-2000PL <sup>14</sup>
		4-1/2x7	114x178	2	51	7/8	22	Offset		1/2	13	RA-0710 <sup>5</sup>	RA-071V <sup>5</sup>	22-2000PL <sup>14</sup>
		4-1/2x7	114x178	3	76	7/8	22	Offset		1/2	13	RA-0720 <sup>5</sup>	RA-072V <sup>5</sup>	22-2020PL <sup>14</sup>
2-1/4	57	4x6-1/4	102x159	4-1/2	114	1	25	Angled	10°			RU-1320		
		4x6-1/4	102x159	6	152	1	25	Angled	10°			RU-1330		
		3-3/4x4-1/2	95x114	4	102	5/8	16	Centered				RU-0990		
		3-3/4x4-1/2	95x114	5	127	5/8	16	Centered				RU-1100		
		3-3/4x4-1/2	95x114	5	127	1	25	Angled	10°			RU-1140		
		3-3/4x4-1/2	95x114	6	152	1	25	Angled	10°			RU-1150		RU-1230PK
2-7/16	62	3-3/4x4-1/2	95x114	2	51	5/8	16	Centered				R-1390		22-8023PK
		4x6-1/4	102x159	4-1/2	114	1	25	Angled	10°			RU-1340		
		4x6-1/4	102x159	5	127	1	25	Angled	10°			RU-1350		
		4x6-1/4	102x159	6	152	1	25	Angled	10°			RU-1360		
		4-1/2x7	114x178	2	51	5/8	16	Centered					RC-1980	22-2000PL <sup>14</sup>
		3-3/4x4-1/2	95x114	5	127	5/8	16	Centered				RU-1180		
		3-3/4x4-1/2	95x114	5	127	1	25	Angled	10°			RU-1220		
		3-3/4x4-1/2	95x114	5	127	1-1/4	32	Angled	20°			RU-1371 <sup>21</sup>		
		3-3/4x4-1/2	95x114	6	152	1	25	Angled	10°			RU-1230		RU-1230PK
		3-3/4x4-1/2	95x114	6	152	1-1/4	32	Angled	20°			RU-1380		RU-1230PK
		3-3/4x4-1/2	95x114	7	178	5/8	16	Centered				RU-1810		RU-1240PK
		3-3/4x4-1/2	95x114	7	178	1	25	Angled	10°			RU-1240		RU-1240PK
2-1/2	64	3-3/4x4-1/2	95x114	7	178	1-1/4	32	Angled	20°			RU-1390		RU-1240PK
		3-3/4x4-1/2	95x114	9	229	1	25	Angled	10°			RU-1260		RU-1260PK
		3-3/4x4-1/2	95x114	7	178	2-1/8	54	Angled	10°			RU-1830		RU-1240PK
		3-3/4x4-1/2	95x114	9	229	2-1/8	54	Angled	10°			RU-1840		RU-1260PK

20) 1/4-20 Jack Nut inserted into Filter Top 4) Base has 1/2" vent standard 45) Base has 1/32" vent standard 47) Base has 1/4" vent standard 43) Base has 11/16" vent standard 24) Base has 13/16" vent standard 34) Base has 13/32" vent standard 41) Base has 15/64" vent standard 36) Base has 19/32" vent standard 39) Base has 25/64" vent standard 39) Base has 29/32" vent standard 19) Base has 3/16" vent standard 23) Base has 3/4" vent standard 21) Base has 3/8" vent standard 40) Base has 31/64" vent standard 42) Base has 35/64" vent standard 44) Base has 45/64" vent standard 6) Base has 5/8" vent standard 37) Base has 55/64" vent standard 18) Base has 7/16" vent standard 25) Base has 7/8" vent standard 22) Base has 9/16" vent standard 5) Base has optional 1/2" vent 29) Black Powder Coated Top Plate 28) Carbon Fiber Top Plate 13) Colors available; DL=blue, DR=red, DY=yellow 11) Colors available; PL=blue, PR=red, PY=yellow 1) Filter has molded-in velocity stack 16) Filter is reverse tapered 32) Fits "Legend/Dwarf" race cars w/FJ1200 motors 12) Foam Pre-filter 33) Galvanized Top Plate 2) Metal top plate has 1/4-20 stud 3) Metal top-plate has 6MM stud 10) Offset is horizontal 7) Offset is vertical 9) Offset is vertical and to the left 8) Offset is vertical and to the right 15) Refer to Custom End Cap/Xstream Clamp-On Sec 14) Refer to Filter Wrap Section 26) Top has 1/2" vent standard 31) Top has 21/32" center hole 30) Top has 23/32" center hole 27) Top has 7/16" vent standard 35) Top has two 0.400" vents

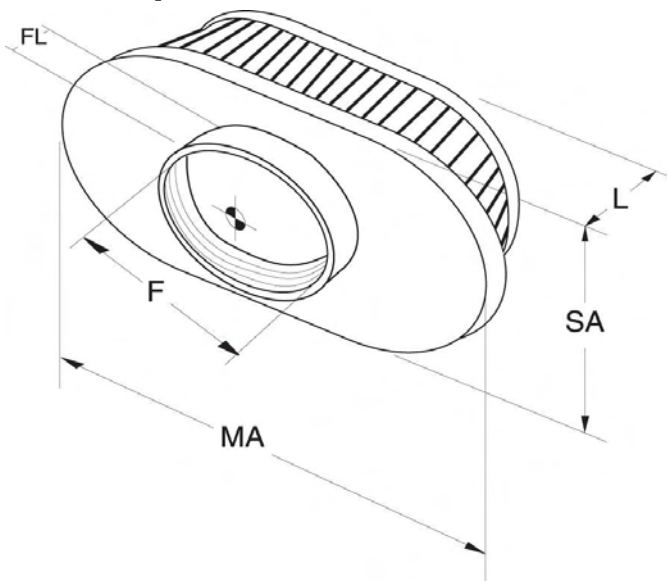
# Oval Straight

(F) Mounting Flange Inside Diameter		(MA/SA) Filter Dimensions		(L) Filter Length		(FL) Flange Length		(FA) Flange Style		(FO) Flange Offset		Rubber End Cap Part #	Chrome End Cap Part #	Filter Wraps <sup>14</sup>  Part #
Inch	mm	Inch	mm	Inch	mm	Inch	mm	Type	Angle	Inch	mm			
2-9/16	65	4-1/2x7	114x178	1-1/2	38	7/8	22	Offset		2-1/8	54	RA-0750	RA-075V	22-2000PL <sup>14</sup>
		4-1/2x7	114x178	2	51	7/8	22	Offset		2-1/8	54	RA-0760	RA-076V	22-2000PL <sup>14</sup>
		4-1/2x7	114x178	3	76	7/8	22	Offset		2-1/8	54		RA-077V	22-2020PL <sup>14</sup>
		4-1/2x7	114x178	3	76	7/8	22	Offset		1/2	13	RA-0770		22-2020PL <sup>14</sup>
2-11/16	68	5-5/16x8-7/8	135x225	1-7/8	48	9/16	14	Centered				RC-9000		
2-3/4	70	4x6-1/4	102x159	5	127	5/8	16	Centered				RU-1500	RC-1500	
		4x6-1/4	102x159	5	127	1	25	Angled	10°			RU-1530		
		4x6-1/4	102x159	6	152	1	25	Angled	10°			RU-1540	RC-1540	
		4x6-1/4	102x159	7	178	5/8	16	Centered				RU-1520	RC-1520	
		4x6-1/4	102x159	7	178	1	25	Angled	10°			RU-1550		
		4-1/2x7	114x178	2	51	5/8	16	Centered					RC-2000	22-2000PL <sup>14</sup>
3-1/2	89	4-1/2x7	114x178	3	76	5/8	16	Centered				RC-2860	22-2020PL <sup>14</sup>	
		4-1/2x7	114x178	3-1/2	89	5/8	16	Centered				RU-3620		
		4-1/2x7	114x178	3-1/2	89	5/8	16	Centered				RC-3180		E-3341PK <sup>11</sup>

20) 1/4-20 Jack Nut inserted into Filter Top 4) Base has 1/2" vent standard 45) Base has 1/32" vent standard 17) Base has 1/4" vent standard 43) Base has 11/16" vent standard 24) Base has 13/16" vent standard 34) Base has 13/32" vent standard 41) Base has 15/64" vent standard 36) Base has 19/32" vent standard 38) Base has 25/64" vent standard 39) Base has 29/32" vent standard 19) Base has 3/16" vent standard 23) Base has 3/4" vent standard 21) Base has 3/8" vent standard 40) Base has 31/64" vent standard 42) Base has 35/64" vent standard 44) Base has 45/64" vent standard 6) Base has 5/8" vent standard 37) Base has 55/64" vent standard 18) Base has 7/16" vent standard 25) Base has 7/8" vent standard 22) Base has 9/16" vent standard 5) Base has optional 1/2" vent 29) Black Powder Coated Top Plate 28) Carbon Fiber Top Plate 13) Colors available: DL=blue, DR=red, DY=yellow 11) Colors available: PL=blue, PR=red, PY=yellow 1) Filter has molded-in velocity stack 16) Filter is reverse tapered 32) Fits "Legend/Dwarf" race cars w/FJ1200 motors 12) Foam Pre-filter 33) Galvanized Top Plate 2) Metal top plate has 1/4-20 stud 3) Metal top-plate has 6MM stud 10) Offset is horizontal 7) Offset is vertical 9) Offset is vertical and to the left 8) Offset is vertical and to the right 15) Refer to Custom End Cap/Xstream Clamp-On Sec 14) Refer to Filter Wrap Section 26) Top has 1/2" vent standard 31) Top has 21/32" center hole 30) Top has 23/32" center hole 27) Top has 7/16" vent standard 35) Top has two 0.400" vents



# Oval Tapered



When selecting one of K&N's universal oval air filters, you should consider the following dimensions as they relate to the specification chart.

(F) Mounting Flange Inside Diameter - This is the most critical dimension and should be very close to the diameter of the application's inlet flange. The flange will stretch up to 1/16" for those in-between sizes.

(MA / SA) Filter Oval Dimensions - This is the length and width of the filter. Always use the largest filter practical to fit the application.

(L) Filter Length - This dimension is the length of the filter body only, it does not include the flange length. Always use the longest filter practical for maximum filtration.

(FA / FL) Flange Angle and/or Length - If no angle is listed in the specifications table, then the flange is straight. Any angle listed is in degrees and can be utilized when space is a problem.

(FO) Flange Offset - In some cases the center of the flange is offset from the center of the filter base in order to provide a better fit.

(F) Mounting Flange Inside Diameter		(MA/SA) Filter Base Dimensions		(MA/SA) Filter Top Dimensions		(L) Filter Length		(FL) Flange Length		(FA) Flange Style	(FO) Flange Offset		Rubber End Cap Part #	Chrome End Cap Part #	Custom End Cap Part #	Filter Wraps Part #	
Inch	mm	Inch	mm	Inch	mm	Inch	mm	Inch	mm	Type Angle	Inch	mm					
1-3/4	44	2-7/8x4	73x102	2x3	51x76	2-3/4	70	5/8	16	Offset	1/2	13		RC-2450 <sup>7</sup>		RC-1820DK	
		3x4	76x102	2-1/2x3-1/2	64x89	2-3/4	70	5/8	16	Offset	1/2	13	RU-2450 <sup>7</sup>			RU-0981DK	
2	51	3x4	76x102	2x3	51x76	2-3/4	70	5/8	16	Offset	1/2	13		RC-1820 <sup>7</sup>		RC-1820DK	
		3x4	76x102	2x3	51x76	5	127	5/8	16	Offset	1/2	13		RC-2770 <sup>7</sup>			
		3x4	76x102	2-1/2x3-1/2	64x89	2-3/4	70	5/8	16	Offset	1/2	13	RU-1820 <sup>7</sup>			RU-0981DK	
2-1/8	54	2-7/8x4	73x102	2-1/2x3-1/2	64x89	4	102	5/8	16	Offset	7/16	11	RU-2980 <sup>7</sup>				
		3x4	76x102	2x3	51x76	2-3/4	70	5/8	16	Offset	7/16	11		RC-0981 <sup>7</sup>		RC-1820DK	
		3x4	76x102	2x3	51x76	4	102	5/8	16	Offset	7/16	11		RC-2900 <sup>8</sup>			
		3x4	76x102	2-1/2x3-1/2	64x89	2-3/4	70	5/8	16	Offset	7/16	11	RU-3010 <sup>9</sup>			RU-0981DK	
		3x4	76x102	2-1/2x3-1/2	64x89	4	102	5/8	16	Offset	7/16	11	RU-2810 <sup>7</sup>				
		3x4	76x102	2-1/2x3-1/2	64x89	5	127	5/8	16	Offset	7/16	11	RU-2750 <sup>7</sup>				
2-7/16	62	3-3/4x4-1/2	95x114	2x3	51x76	6	152	5/8	16	Centered				RC-3680		22-8051PK	
		3-3/4x4-1/2	95x114	2-1/2x3-1/2	64x89	2-3/4	70	5/8	16	Centered			RU-2780 <sup>7</sup>			RU-2780DK	
		3-3/4x4-1/2	95x114	2-1/2x3-1/2	64x89	3-1/2	89	5/8	16	Centered			RU-3780				
		3-3/4x4-1/2	95x114	2-1/2x3-1/2	64x89	5	127	1-1/4	32	Angled 20°			SN-2540			SN-2540PK	
		3-3/4x4-1/2	95x114	2-1/2x3-1/2	64x89	6	152								RE-0960		
		3-3/4x4-1/2	95x114	2-1/2x3-1/2	64x89	6	152	1-1/4	32	Angled 20°			SN-2550			SN-2550PK	
		3-3/4x4-1/2	95x114	2-1/2x3-1/2	64x89	7	178	1-1/4	32	Angled 20°			SN-2560			SN-2560PK	
2-1/2	64	3-1/2x4-7/8	89x124	2x3	51x76	5-1/2	140	13/16	21	Centered				RC-70040			
		4-1/8x4-1/2	2105x114	3-5/16x4-7/16	84x113	5-1/2	140	2-3/8	60	Angled 9°				RC-70050			
2-3/4	70	3-3/4x4-3/4	95x121	4x4	102x102	5-9/16	141	13/16	21	Centered					RX-5090 <sup>1</sup>		
3	76	6x8	152x203	5x5	127x127	6-1/2	165	1-7/8	48	Centered					RX-4750 <sup>1</sup>	RF-1042DK <sup>13</sup>	
3-1/2	89	5-1/4x8-1/2	2133x216	4x6-1/4	102x159	5-1/2	140	3/4	19	Centered				RC-5040		RC-5040DK <sup>13</sup>	
		5-3/4x5-3/4	146x146	3-1/4x4-1/2	83x114	6	152	1-3/4	44	Angled 10°				RC-4400			
		5-3/4x5-3/4	146x146	3-1/4x4-1/2	83x114	7	178	1-3/4	44	Angled 10°					RF-1033		

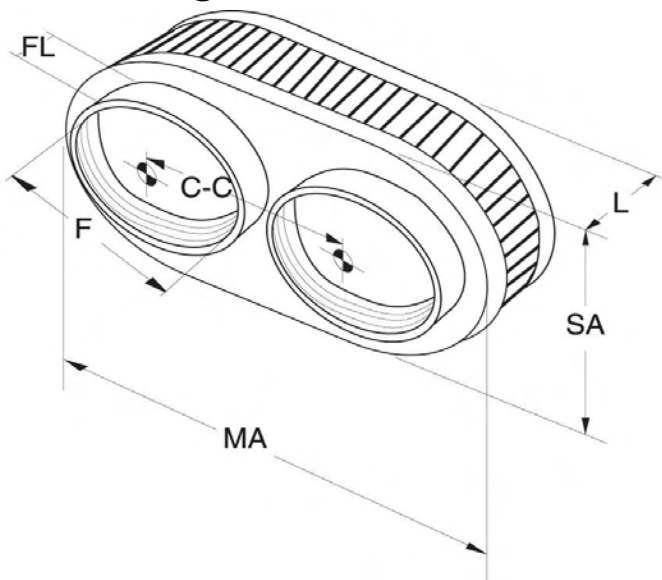
20) 1/4-20 Jack Nut inserted into Filter Top 4) Base has 1/2" vent standard 45) Base has 1/32" vent standard 47) Base has 1/4" vent standard 43) Base has 11/16" vent standard 24) Base has 13/16" vent standard 34) Base has 13/32" vent standard 41) Base has 15/64" vent standard 36) Base has 19/32" vent standard 38) Base has 25/64" vent standard 39) Base has 29/32" vent standard 19) Base has 3/16" vent standard 23) Base has 3/4" vent standard 21) Base has 3/8" vent standard 40) Base has 31/64" vent standard 42) Base has 35/64" vent standard 44) Base has 45/64" vent standard 6) Base has 5/8" vent standard 37) Base has 55/64" vent standard 18) Base has 7/16" vent standard 25) Base has 7/8" vent standard 22) Base has 9/16" vent standard 5) Base has optional 1/2" vent 29) Black Powder Coated Top Plate 28) Carbon Fiber Top Plate 13) Colors available; DL=blue, DR=red, DY=yellow 11) Colors available; PL=blue, PR=red, PY=yellow 1) Filter has molded-in velocity stack 16) Filter is reverse tapered 32) Fits "Legend/Dwarf" race cars w/F1200 motors 12) Foam Pre-filter 33) Galvanized Top Plate 2) Metal top plate has 1/4-20 stud 3) Metal top-plate has 6MM stud 10) Offset is horizontal 7) Offset is vertical 9) Offset is vertical and to the left 8) Offset is vertical and to the right 15) Refer to Custom End Cap/Xstream Clamp-On Sec 14) Refer to Filter Wrap Section 26) Top has 1/2" vent standard 31) Top has 21/32" center hole 30) Top has 23/32" center hole 27) Top has 7/16" vent standard 35) Top has two 0.400" vents

# Oval Tapered

Mounting Flange Inside Diameter		(MA/SA) Filter Base Dimensions		(MA/SA) Filter Top Dimensions		(L) Filter Length		(FL) Flange Length		(FA) Flange Style	(FO) Flange Offset		Rubber End Cap Part #	Chrome End Cap Part #	Custom End Cap Part #	Filter Wraps Part #
Inch	mm	Inch	mm	Inch	mm	Inch	mm	Inch	mm	Type Angle	Inch	mm				
3-1/2	89	6x6	152x152	3-3/4x4-1/2	95x114	5	127	1-3/4	44	Centered			RU-4190			
3-7/8	98	5-3/8x7-1/4	137x184	3-11/32x4-7/16	85x113	5	127	1-7/16	37	Centered					RC-1601	
		5-7/16x7	138x178	3-5/16x4-7/16	84x113	6-11/32	161	1-1/2	38	Centered				RC-70031		
4	102	5-3/8x7-1/2	137x191	3-5/16x4-7/16	84x113	6-11/32	161	1-3/8	35	Centered				RC-1680 <sup>23,3</sup>		
		5-3/8x7	137x178	3-5/16x4-7/16	84x113	6-13/32	163	1-3/8	35	Centered				RC-5056		
		5-3/8x7	137x178	3-5/16x4-7/16	84x113	6-1/2	165	1-3/8	35	Centered				RC-5129 <sup>23</sup>		
		5-3/8x7-1/2	137x191	3-5/16x4-1/2	84x114	8-1/16	205	1-3/8	35	Centered					RC-5126	
		5-3/8x7-1/2	137x191	3-5/16x4-7/16	84x113	8-1/16	205	1-3/8	35	Centered				RC-1677 <sup>23,3</sup>		
		5-15/32x7-1/2	129x191	3-5/16x4-13/32	84x112	5	127	1-3/8	35	Centered				RC-5055		
		5-1/2x7	140x178	3-5/16x4-15/32	84x114	6-13/32	163	1-3/8	35	Centered				RC-1681		
		5-1/2x7	140x178	3-5/16x4-17/32	84x115	6-13/32	163	1-3/8	35	Centered				RC-1605		
		5-3/4x9	146x229	4-1/2x7	114x178	4	102	1-1/2	38	Centered					RC-5148	
		5-3/4x9	146x229	4-1/2x7	114x178	7-1/2	191	1-1/2	38	Centered					RF-1040	RF-1034DK <sup>13</sup>
		5-3/4x9	146x229	4-1/2x7	114x178	7-1/2	191	5/8	16	Centered					RF-1034	RF-1034DK <sup>13</sup>
		6-3/4x9-1/2	171x241	5-1/2x9	140x229	8-15/16	227	1-7/8	48	Offset	1-1/2	38			RC-5102 <sup>2,29</sup>	RC-5102DK <sup>13</sup>
4-3/8	111	5-3/8x7-1/2	137x191	3-5/16x4-7/16	84x113	6-1/2	165	1-3/8	35	Centered					RC-5152	
		5-1/2x7-1/2	140x191	3-5/16x4-1/2	84x114	6-1/2	165	1-1/2	38	Centered					RC-5132	
4-1/2	114	5-7/8x5-7/8	149x149	3-1/4x4-1/2	83x114	8	203	5/8	16	Centered					RF-1021	
		6-1/4x9-1/4	159x235	4-1/2x7	114x178	10	254	5/8	16	Centered					RF-1024	RF-1024DK <sup>13</sup>
4-3/4	121	5-5/8x8	143x203	3-31/32x6-7/32	101x158	5-1/8	130	1	25	Centered					RC-5047	
6	152	6-1/4x8-1/4	159x210	4x6-1/4	102x159	5	127	1	25	Centered				RC-3160		
		6-1/4x8-1/4	159x210	4-1/2x7	114x178	3-1/4	83	1	25	Centered				RF-1002		

20) 1/4-20 Jack Nut inserted into Filter Top 4) Base has 1/2" vent standard 45) Base has 1/32" vent standard 47) Base has 1/4" vent standard 43) Base has 11/16" vent standard 24) Base has 13/16" vent standard 34) Base has 13/32" vent standard 41) Base has 15/64" vent standard 36) Base has 19/32" vent standard 38) Base has 25/64" vent standard 39) Base has 29/32" vent standard 19) Base has 3/16" vent standard 23) Base has 3/4" vent standard 21) Base has 3/8" vent standard 40) Base has 31/64" vent standard 42) Base has 35/64" vent standard 44) Base has 45/64" vent standard 6) Base has 5/8" vent standard 37) Base has 55/64" vent standard 18) Base has 7/16" vent standard 25) Base has 7/8" vent standard 22) Base has 9/16" vent standard 5) Base has optional 1/2" vent 29) Black Powder Coated Top Plate 28) Carbon Fiber Top Plate 13) Colors available; DL=blue, DR=red, DY=yellow 11) Colors available: PL=blue, PR=red, PY=yellow 1) Filter has molded-in velocity stack 16) Filter is reverse tapered 32) Fits "Legend/Dwarf" race cars w/FJ1200 motors 12) Foam Pre-filter 33) Galvanized Top Plate 2) Metal top plate has 1/4-20 stud 3) Metal top-plate has 6MM stud 10) Offset is horizontal 7) Offset is vertical 9) Offset is vertical and to the left 8) Offset is vertical and to the right 15) Refer to Custom End Cap/Xstream Clamp-On Sec 14) Refer to Filter Wrap Section 26) Top has 1/2" vent standard 31) Top has 21/32" center hole 30) Top has 23/32" center hole 27) Top has 7/16" vent standard 35) Top has two 0.400" vents

# Dual Flange Oval



When selecting one of K&N's universal dual flange air filters, you should consider the following dimensions as they relate to the specification chart:

(F) Mounting Flange Inside Diameter - This is the most critical dimension and should be very close to the diameter of the application's inlet flange. The flange will stretch up to 1/16" for those in-between sizes.

(MA / SA) Filter Oval Dimensions - This is the length and width of the filter. Always use the largest filter practical to fit the application.

(L) Filter Length - This dimension is the length of the filter body only, it does not include the flange length. Always use the longest filter practical for maximum filtration.

(FA / FL) Flange Angle and/or Length - If no angle is listed in the specifications table, then the flange is straight. Any angle listed is in degrees and can be utilized when space is a problem.

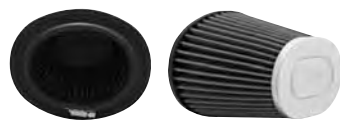
(FO) Flange Offset - In some cases the center of the flange is offset from the center of the filter base in order to provide a better fit.

(C-C) Flange Center to Center - For dual flange filters, this is the flange spacing. This dimension should be within 2mm for proper fit on the application.

(F) Mounting Flange Inside Diameter	(MA/SA) Filter Base Dimensions		(MA/SA) Filter Top Dimensions		(L) Filter Length		(FL) Flange Length		(FA) Flange Style	(FO) Flange Offset	(C-C) Flange Ctr to Ctr		Rubber End Cap Part #	Chrome End Cap Part #	Filter Wraps Part #
	Inch	mm	Inch	mm	Inch	mm	Inch	mm	Type Angle	Inch	mm	Inch	mm		
1-9/16 40	4-1/2x7	114x178	4-1/2x7	114x178	2	51	5/8	16	Offset	1-1/8 29	3	76		RC-2240	
1-7/8 48	3-7/8x6-1/8	98x156	3-7/8x6-1/8	98x156	3	76	5/8	16	Offset	3/8 10	2-5/8 67		R-0990 <sup>10</sup>		
2 51	4x6-1/4	102x159	4x6-1/4	102x159	2	51	5/8	16	Offset	1/4 6	2-5/8 67			RC-2370 <sup>7</sup>	
	4x6-1/4	102x159	4x6-1/4	102x159	3-1/4	83	5/8	16	Offset	1/4 6	2-5/8 67			RC-4350 <sup>7</sup>	
2-1/16 52	3-3/4x8-1/2	95x216	3-3/4x8-1/2	95x216	1-3/4	44	5/8	16	Centered		5	127			RC-3240
	3-3/4x8-1/2	95x216	3-3/4x8-1/2	95x216	2-3/8	60	5/8	16	Centered		3-3/4	95			RC-2820
	3-3/4x8-1/2	95x216	3-3/4x8-1/2	95x216	2-3/8	60	5/8	16	Centered		5	127			RC-2720
	3-3/4x6-1/4	95x159	3-3/4x6-1/4	95x159	3	76	5/8	16	Centered		3-1/16	78	R-2300		
2-1/8 54	4x6	102x152	3-3/4x4-1/2	95x114	4	102	5/8	16	Centered		2-15/16 75		RU-2850		
	4x6-1/4	102x159	4x6-1/4	102x159	1-3/4	44	5/8	16	Centered		2-15/16 75			RC-2380	
	4x6-1/4	102x159	4x6-1/4	102x159	2	51	3/4	19	Centered		2-5/8 67			RC-2360	
	4x6-1/4	102x159	4x6-1/4	102x159	3	76	3/8	10	Centered		3-1/8 79			RC-3510 <sup>32</sup>	
2-3/8 60	3-5/8x7-3/8	92x187	3-5/8x7-3/8	92x187	3	76	5/8	16	Centered		4-3/16 106		RU-2970		
	3-3/4x6-1/4	95x159	3-7/16x4-7/16	87x113	6-3/4	171	3/8	10	Centered		3	76	RU-4710		RU-4710PK
	3-3/4x6-1/4	95x159	3-3/4x6-1/4	95x159	3	76	3/8	10	Centered		3	76	RU-2920		
	3-3/4x6-1/4	95x159	4-7/16x3-7/16	113x87	5	127	3/8	10	Centered		3	76	RU-4720		RU-4720PK
2-3/4 70	5-1/2x9	140x229	5-1/2x9	140x229	2	51	3/4	19	Centered		4-1/16 103			RC-2830	22-2840PL <sup>14</sup>
	5-1/2x9	140x229	5-1/2x9	140x229	2-1/2	64	3/4	19	Centered		4-1/16 103			RC-2840	22-2840PL <sup>14</sup>

20) 1/4-20 Jack Nut inserted into Filter Top 4) Base has 1/2" vent standard 45) Base has 1/32" vent standard 47) Base has 1/4" vent standard 43) Base has 11/16" vent standard 24) Base has 13/16" vent standard 34) Base has 13/32" vent standard 41) Base has 15/64" vent standard 36) Base has 19/32" vent standard 38) Base has 25/64" vent standard 39) Base has 29/32" vent standard 19) Base has 3/16" vent standard 23) Base has 3/4" vent standard 21) Base has 3/8" vent standard 40) Base has 31/64" vent standard 42) Base has 35/64" vent standard 44) Base has 45/64" vent standard 6) Base has 5/8" vent standard 37) Base has 55/64" vent standard 18) Base has 7/16" vent standard 25) Base has 7/8" vent standard 22) Base has 9/16" vent standard 5) Base has optional 1/2" vent 29) Black Powder Coated Top Plate 28) Carbon Fiber Top Plate 13) Colors available; DL=blue, DR=red, DY=yellow 11) Colors available; PL=blue, PR=red, PY=yellow 1) Filter has molded-in velocity stack 16) Filter is reverse tapered 32) Fits "Legend/Dwarf" race cars w/FJ1200 motors 12) Foam Pre-filter 33) Galvanized Top Plate 2) Metal top plate has 1/4-20 stud 3) Metal top-plate has 6MM stud 10) Offset is horizontal 7) Offset is vertical 9) Offset is vertical and to the left 8) Offset is vertical and to the right 15) Refer to Custom End Cap/Xstream Clamp-On Sec 14) Refer to Filter Wrap Section 26) Top has 1/2" vent standard 31) Top has 21/32" center hole 30) Top has 23/32" center hole 27) Top has 7/16" vent standard 35) Top has two 0.400" vents

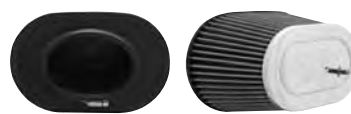
# UNIQUE AIR FILTERS



RC-5000



RC-5010



RC-5050

**SPECIAL FILTERS TO CLAMP DIRECTLY ON GM TPI THROTTLE BODIES USING 1990-92 STOCK GM OR DIGITAL FUEL INJECTION COMPUTER. WILL NOT WORK ON ENGINES THAT USE A MASS-AIR SENSOR.**

**NOTE: NOT LEGAL FOR USE ON EMISSION CONTROLLED VEHICLES THAT OPERATE ON PUBLIC STREETS.**

2 15/16" x 4 3/4" oval mounting flange	4 3/4" x 6 1/2" oval base	3 1/4" x 4 1/2" stainless steel oval top	5 5/8" filter height, 7/8" flange length	RC-5000
2 15/16" x 4 3/4" oval mounting flange	4 3/4" x 6 1/2" oval base	3 1/4" x 4 1/2" rubber oval top	3 1/2" filter height, 7/8" flange length	RU-5004
2 15/16" x 4 3/4" oval mounting flange	4 3/4" x 6 1/2" oval base	3 1/4" x 4 1/2" stainless steel oval top	3 1/2" filter height, 7/8" flange length	RC-5004
2 15/16" x 4 3/4" oval mounting flange	4 1/2" x 7" oval base	4 1/2" x 7" chrome oval top	2" filter height, 3/4" flange length	RC-5010
2 15/16" x 4 3/4" oval mounting flange	5 1/4" x 8 5/8" oval base	4" x 6 1/4" stainless steel oval top	5 1/2" filter height, 7/8" flange length	RC-5050
3 15/16" x 6 1/4" oval mounting flange	5 1/2" x 7 3/4" oval base	4" x 6 1/4" stainless steel oval top	5" filter height, 7/8" flange length	RF-1001



RE-0220



RE-0280



RE-0380

**SPECIAL FILTERS WITH THREADS IN THE TOP-PLATE TO AID IN MOUNTING, OR TO AFFIX COVERS/SHIELDS.**

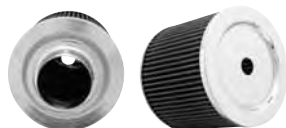
1 1/4" round mounting flange, 3 1/2" filter diameter, rubber top, 1/4-20 threads, 3 1/2" filter height, 5/8" flange length	RE-0220
1 3/4" round mounting flange, 3 1/2" filter diameter, rubber top, 1/4-20 threads, 3 1/2" filter height, 5/8" flange length	RE-0260
2" round mounting flange, 3" base diameter, 3 1/2" rubber top, 1/4-20 threads, 3 1/2" filter height, 5/8" flange length	RE-0280
2 1/2" round mounting flange, 5" base diameter, 5 1/2" metal top, 1/4-20 threads, 2 3/4" filter height, 5/8" flange length	RE-0380



RU-2952

**SPECIAL FILTERS WITH DUAL OVAL MOUNTING FLANGES, SOLD IN TWO-PACKS ONLY.**

2 3/16" x 2 7/8" flanges, 5" x 6" rectangle base, 3 1/4" x 4 1/4" rubber oval top, 4" filter height, 11/16" flange length, 3 1/8 c-c spacing	RU-2952
--	---------



RM-3001



RM-3501

**SPECIAL FILTERS WITH METAL BASE AND FLANGES, TO ALLOW MOUNTING THE FILTER WITH A HOSE, IDEAL FOR HIGH TEMPERATURE APPLICATIONS SUCH AS TURBOCHARGERS.**

3" Outside diameter round mounting flange, 7" filter diameter, 7" chrome top w/1" hole, 6" filter height, 1 5/8" flange length	RM-3001
3 1/2" Outside diameter round mounting flange, 4 1/2" x 7" oval base, 4 1/2" x 7" stainless steel top, 3 1/2" filter height, 5/8" flange length	RM-3501



RU-3460



RF-1011



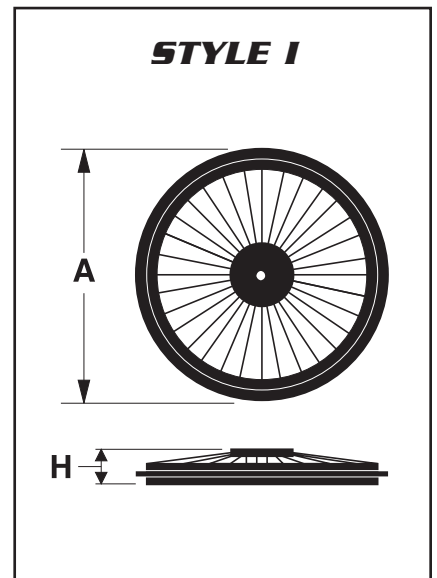
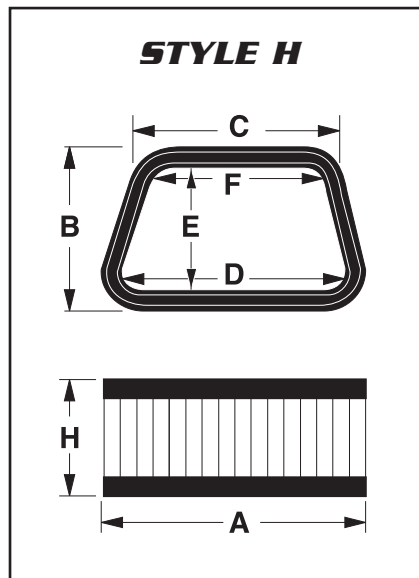
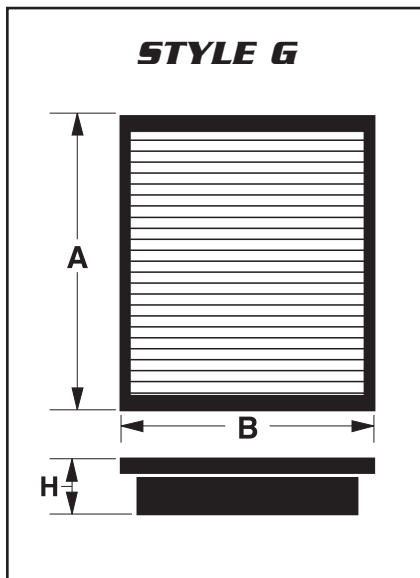
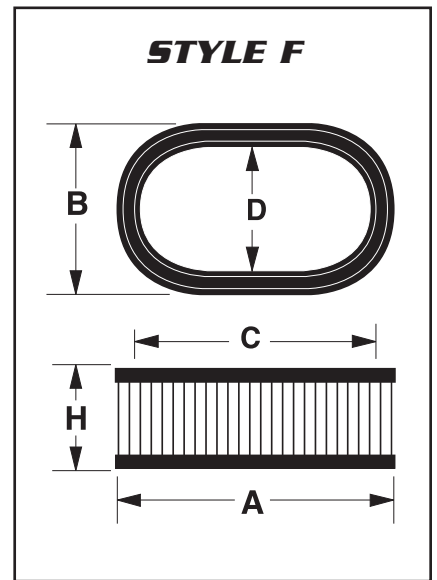
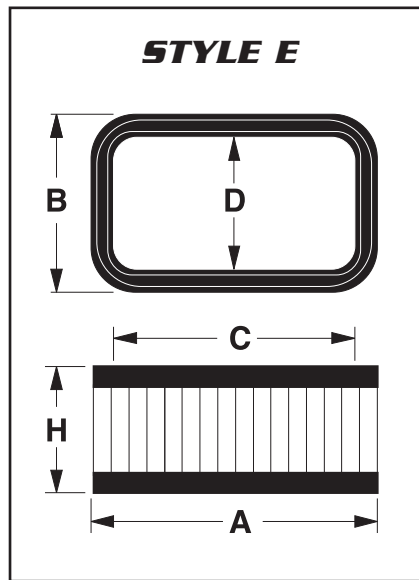
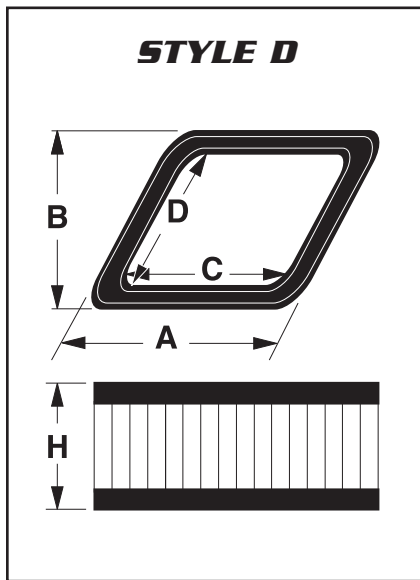
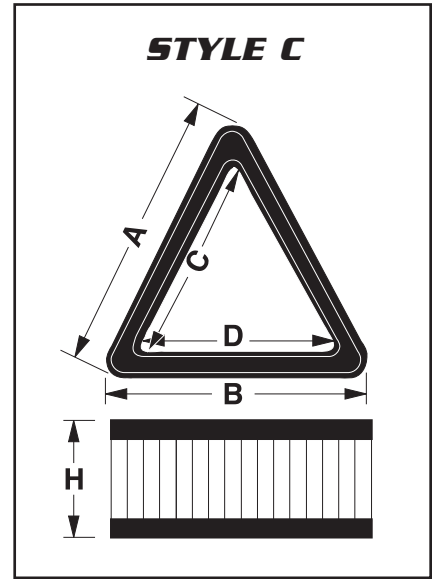
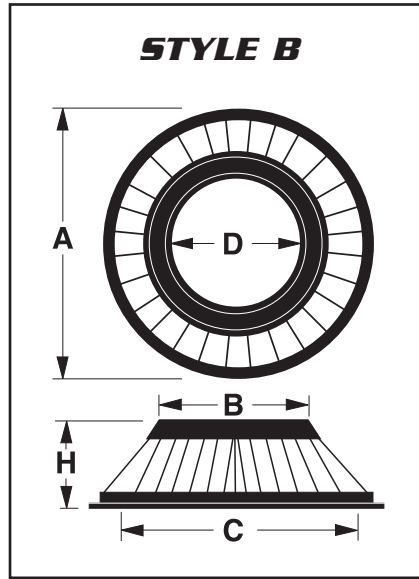
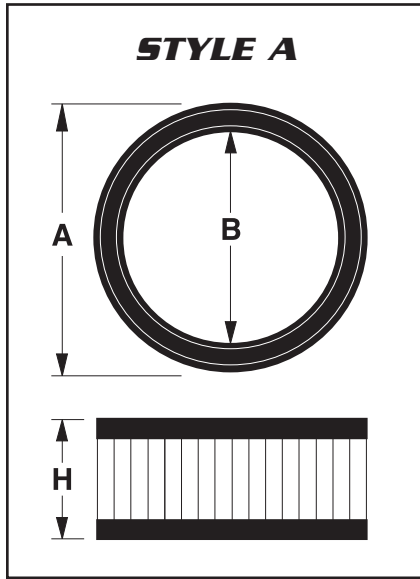
RU-3450

**OTHER**

1 1/2" x 2 1/4" oval mounting offset flange, 3 3/4" x 3 7/16" rect. base, 3 3/8" x 2 3/4" rectangle top, 2 1/4" filter height, 3/4" flange length	RU-3450
1 15/16" Outside diameter round mounting offset flange, 3 7/8" x 3 7/16" rectangle base, 3 3/8" x 2 3/4" rectangle top, 2 1/4" filter height, 1/2" flange length	RU-3460
1 1/4" Inside diameter round centered flange, 3 7/8" x 3 7/16" rectangle base, tapered, 2 1/4" filter height, 1/2" flange length	RU-3410
3 3/16" Outside diameter flange, 4 1/2" x 6 1/4" base, chrome top, 11 3/8" filter height, 3/4" flange length	RF-1011



# FILTER DIMENSIONS BY SIZE



# Filter Dimensions by Size

Part #	Style	A	B	C	D	E	F	H	Part #	Style	A	B	C	D	E	F	H
<b>Round Filters</b>									<b>Round Filters</b>								
HA-2597 <sup>3</sup>	A							4.000	YA-2598 <sup>3</sup>	A	4.000	1.875					3.750
HA-4400 <sup>3</sup>	A		0					4.500	YA-4085	A	4.000	2.063					4.125
KA-3603	A							5.313	YA-7086	A	4.000	2.063					5.875
YA-0086	A							4.188	DU-0202	A	4.125	2.875					2.438
E-0777	A	0	0					7.125	E-4961 <sup>3</sup>	A	4.125	2.625					10.750
KA-1203	A	0	0					2.000	HA-0301 <sup>1</sup>	A	4.125	1.750					3.625
E-3003	A	1.250	0.250					1.063	E-4450	A	4.188	2.875					4.875
E-3009	A	2.000	1.063					1.063	HA-6089 <sup>3</sup>	A	4.188	2.875					3.875
E-4110	A	2.750	1.375					2.625	KA-6085 <sup>3</sup>	A	4.188	2.875					1.625
E-9234 <sup>3</sup>	A	2.813	1.250					2.688	PL-5008 <sup>3</sup>	A	4.188	2.500					10.875
38-9175 <sup>3</sup>	A	2.835	2.835					7.756	SU-8087 <sup>3</sup>	A	4.188	0					3.000
E-2010	A	3.000	1.750					2.500	AL-6502	A	4.250	3.000					3.125
E-4188 <sup>3</sup>	A	3.000	2.000					1.438	E-2876	A	4.250	2.875					9.313
E-4189 <sup>3</sup>	A	3.000	2.000					1.813	E-4370	A	4.250	2.000					3.875
E-4210	A	3.000	2.125					3.125	HA-0300	A	4.250	3.125					2.125
HD-2492	A	3.000	2.000					5.000	HA-0850 <sup>3</sup>	A	4.250	3.000					5.313
MG-0200	A	3.000	2.188					7.750	KA-4010	A	4.250	3.000					4.375
AC-3098 <sup>3</sup>	A	3.250	2.188					3.500	SU-1284 <sup>3</sup>	A	4.250	2.938					5.094
E-4284	A	3.250	2.250					2.000	YA-6608 <sup>3</sup>	A	4.250	2.813					4.000
E-4510	A	3.250	1.625					7.063	BD-6502 <sup>3</sup>	A	4.313	2.750					5.000
YA-2597 <sup>3</sup>	A	3.313	1.875					5.500	E-2864	A	4.313	2.563					9.938
38-9027 <sup>3</sup>	A	3.346	3.346					13.268	E-9242	A	4.313	2.438					5.938
E-4495 <sup>3</sup>	A	3.375	1.938					7.250	BM-0400	A	4.375	3.000					3.375
38-9070 <sup>3</sup>	A	3.425	3.425					7.795	BM-1298	A	4.375	3.000					3.188
CG-0100	A	3.500	2.500					4.563	E-2190	A	4.375	2.875					5.750
DU-1006	A	3.500	2.000					5.500	E-2862	A	4.375	2.625					10.500
DU-6908	A	3.500	2.000					5.500	E-4420	A	4.375	3.000					3.313
E-2040	A	3.500	2.438					6.625	E-4430	A	4.375	3.000					5.000
E-3050	A	3.500	2.438					3.500	E-9238	A	4.375	3.000					7.000
E-9257	A	3.500	2.000					5.500	YA-6092	A	4.375	2.563					4.688
HA-0510 <sup>3</sup>	A	3.500	0					5.000	E-2230	A	4.438	3.000					3.688
HA-4020 <sup>3</sup>	A	3.500	0					5.188	E-4490	A	4.438	3.000					7.000
KA-1200	A	3.500	2.500					5.375	E-9000	A	4.438	2.875					9.500
KA-6201	A	3.500	1.813					7.188	E-9104	A	4.438	2.625					6.750
KA-7583	A	3.500	2.438					4.813	E-9256	A	4.438	2.625					8.625
YA-0587 <sup>3</sup>	A	3.500	2.375					3.250	KA-1408	A	4.438						3.563
KA-0018 <sup>1</sup>	A	3.543	2.165					6.457	E-0770	A	4.500	3.063					5.625
BM-0100	A	3.563	2.438					2.813	E-2240	A	4.500	3.313					4.813
E-4527 <sup>3</sup>	A	3.563	2.375					4.250	E-2244	A	4.500	3.250					8.625
HA-3010	A	3.563	2.125					5.313	E-2658	A	4.500	2.688					9.875
E-2401	A	3.625	2.375					7.875	E-9060	A	4.500	2.750					11.313
HA-2501 <sup>3</sup>	A	3.625	1.438					4.125	HA-1000 <sup>3</sup>	A	4.500	2.250					2.250
KA-0750	A	3.625	2.375					7.438	HA-5083 <sup>3</sup>	A	4.500	2.750					3.750
KA-7500	A	3.625	2.375					6.813	KA-2288 <sup>3</sup>	A	4.500	0					3.563
KA-7580	A	3.625	2.375					4.625	KA-4093 <sup>3</sup>	A	4.500	0					3.625
YA-4350 <sup>3</sup>	A	3.625	2.625					9.000	PL-1001	A	4.500	3.250					4.375
HA-5094 <sup>3</sup>	A	3.750	2.500					5.313	YA-6089	A	4.500	2.500					4.125
SU-7503	A	3.750	2.750					4.500	YA-7585	A	4.500	2.500					4.875
E-3120	A	3.875	2.875					2.000	E-9123	A	4.528	2.756					16.024
E-3130	A	3.875	2.750					3.250	E-9131	A	4.625	3.375					9.563
E-9260	A	3.875	2.125					11.875	HA-5000 <sup>3</sup>	A	4.750						4.625
HA-1326	A	3.875	2.500					4.219	TB-0100	A	4.750	3.250					1.625
HA-2090 <sup>3</sup>	A	3.875	0					4.313	BM-0200	A	4.813	3.125					4.500
HA-3098 <sup>3</sup>	A	3.875						4.250	E-9001	A	4.813	2.125					1.750
HA-5100 <sup>3</sup>	A	3.875	2.375					4.438	E-1007 <sup>3</sup>	A	4.875	3.313					6.063
E-9245	A	3.937	2.559					5.945	HA-0001	A	4.875	3.625					3.188
YA-4001 <sup>3</sup>	A	3.938	1.938					5.625	38-9103 <sup>1,3</sup>	A	4.921	2.559					11.220
E-4550 <sup>2</sup>	A	4.000	2.813					3.250	38-9150 <sup>3</sup>	A	4.921	2.756					6.890
HA-2410 <sup>3</sup>	A	4.000	0					5.250	E-0771	A	4.938	3.125					6.813
HA-4435 <sup>3</sup>	A	4.000	0					6.000	E-2429	A	4.938	3.188					6.750
HA-9002 <sup>3</sup>	A	4.000	2.750					5.375	E-9099	A	4.938	3.500					12.125
KA-1199	A	4.000	3.938					4.688	E-9183	A	4.938	3.500					6.500
PL-1003 <sup>3</sup>	A	4.000	0					7.000	E-9237	A	4.938	3.500					8.625
PL-1004 <sup>3</sup>	A	4.000	0					4.250	AL-1001 <sup>3</sup>	A	5.000	3.750					4.312

1) Inner Support Wire 2) Outer Support Wire 3) Closed Top

# Filter Dimensions by Size

Part #	Style	A	B	C	D	E	F	H	Part #	Style	A	B	C	D	E	F	H
<b>Round Filters</b>									<b>Round Filters</b>								
E-0850	A	5.000	3.750					4.938	E-0930	A	5.625	3.625					3.938
E-0870	A	5.000	3.750					5.250	E-2220	A	5.625	3.000					4.938
E-2290 <sup>3</sup>	A	5.000	2.750					3.875	E-2222	A	5.625	3.000					4.000
E-2291 <sup>3</sup>	A	5.000	2.750					3.875	E-2447	A	5.625	3.875					7.250
E-2300 <sup>1</sup>	A	5.000	3.625					7.500	E-3220	A	5.625	4.500					2.000
E-3140	A	5.000	3.750					3.563	E-3221	A	5.625	4.625					2.000
E-4962 <sup>3</sup>	A	5.000	3.375					12.375	E-3223	A	5.625	4.625					2.000
HA-2420 <sup>3</sup>	A	5.000	0					3.500	E-3230	A	5.625	4.500					4.375
HA-3084 <sup>3</sup>	A	5.000	3.500					3.813	KA-1596 <sup>3</sup>	A	5.625	4.500					2.000
HA-4350	A	5.000	3.000					5.000	E-9228	A	5.709	4.094					9.250
KA-1780	A	5.000	3.500					2.188	38-9203	A	5.748	3.425					10.906
KA-4508 <sup>3</sup>	A	5.000	3.438					7.375	E-0775	A	5.750	4.000					7.250
SU-4250	A	5.000	3.625					3.563	E-2416 <sup>1,3</sup>	A	5.750	4.000					10.000
AL-1098 <sup>3</sup>	A	5.063	3.875					4.750	E-2995 <sup>3</sup>	A	5.750	3.750					10.188
E-2310	A	5.063	3.250					6.688	E-9240	A	5.750	4.000					8.500
E-2400	A	5.063	3.625					3.688	E-9282	A	5.827	3.071					6.614
E-2984 <sup>2</sup>	A	5.063	2.563					11.375	E-2410	A	5.875	4.375					3.000
E-2021 <sup>3</sup>	A	5.118	5.039					4.587	E-2415	A	5.875	3.250					6.125
E-2402 <sup>1</sup>	A	5.125	3.625					12.188	E-2417	A	5.875	3.250					7.625
E-2590 <sup>1,3</sup>	A	5.125	3.000					11.313	E-3180	A	5.875	4.500					1.750
E-9002	A	5.125	3.750					4.938	E-3190	A	5.875	4.500					3.250
E-9053	A	5.125	3.750					9.938	E-3210	A	5.875	4.500					3.500
E-9139	A	5.125	3.750					7.063	E-3211	A	5.875	4.875					1.750
E-9235	A	5.125	3.750					10.375	E-3212	A	5.875	4.875					1.813
38-9154 <sup>1,3</sup>	A	5.219	2.969					7.031	E-3213	A	5.875	4.875					2.063
38-9051 <sup>1,3</sup>	A	5.236	2.834					8.425	E-3214	A	5.875	4.875					6.125
38-9102	A	5.236	2.835					11.063	E-3218	A	5.875	4.875					3.250
E-1008 <sup>1</sup>	A	5.250	3.375					13.125	E-3956 <sup>3</sup>	A	5.875	3.250					6.000
E-2012 <sup>3</sup>	A	5.250	3.625					10.000	E-4530	A	5.875	3.250					3.375
E-4800 <sup>1,3</sup>	A	5.250	2.563					11.000	E-9029	A	5.875	4.500					5.875
E-4810	A	5.250	2.625					11.313	E-9143	A	5.875	4.875					2.125
E-9244 <sup>3</sup>	A	5.250	3.500					9.750	E-9144	A	5.875	4.875					2.500
HD-0300	A	5.250	4.000					2.000	E-9145	A	5.875	4.875					3.250
38-9126 <sup>3</sup>	A	5.276	3.031					10.866	HA-1185	A	5.875	4.500					2.875
E-1986	A	5.313	3.313					13.250	E-1990 <sup>3</sup>	A	5.938	3.125					9.938
E-2345	A	5.313	3.500					6.375	38-9207 <sup>3</sup>	A	5.984	3.425					7.480
E-2350	A	5.313	3.500					6.500	E-2420	A	6.000	4.250					3.875
E-2380	A	5.313	3.500					8.750	E-2430	A	6.000	4.250					3.250
E-3506	A	5.313	4.063					2.375	E-3002	A	6.000	4.250					5.750
E-0900	A	5.375	3.750					3.188	E-3224	A	6.000	4.625					2.063
E-2320	A	5.375	3.500					2.375	E-3225	A	6.000	4.625					2.188
E-2321	A	5.375	3.500					2.250	E-3226	A	6.000	4.625					2.500
E-2330	A	5.375	3.500					2.563	E-3971	A	6.000	4.625					2.750
E-2331	A	5.375	3.500					2.438	E-9140	A	6.000	4.000					4.125
E-2340	A	5.375	3.500					4.250	HD-0500	A	6.000	4.750					2.250
E-2351	A	5.375	3.500					6.500	HU-0600 <sup>1</sup>	A	6.000	4.000					2.125
E-2360	A	5.375	3.500					6.313	E-9231-1	A	6.024	3.346					11.181
E-2361	A	5.375	3.500					6.250	38-9017 <sup>1,3</sup>	A	6.063	3.425					11.969
E-2381	A	5.375	3.500					8.625	E-1796 <sup>1</sup>	A	6.063	3.750					9.500
E-2450	A	5.375	3.625					5.875	E-2473	A	6.063	4.688					2.250
E-2457	A	5.375	3.625					9.125	E-2860 <sup>1,3</sup>	A	6.063	3.500					12.875
E-3200	A	5.375	4.000					2.000	E-3350	A	6.063	4.688					2.250
E-3205	A	5.375	4.000					2.250	E-4964	A	6.063	4.688					1.875
E-9108	A	5.375	3.500					4.875	E-9280 <sup>3</sup>	A	6.063	3.425					9.764
E-9130	A	5.375	3.500					4.938	E-9283	A	6.063	3.465					11.890
E-9134	A	5.375	3.500					7.000	E-2370	A	6.125	4.250					2.188
E-9251	A	5.375	3.500					9.000	E-3330	A	6.125	5.125					2.063
SU-7586 <sup>3</sup>	A	5.375	0					7.000	E-4710	A	6.188	4.438					7.563
E-1992	A	5.438	3.438					6.063	E-2993 <sup>3</sup>	A	6.250	2.750					8.250
DU-0100	A	5.500	3.625					3.000	E-3290	A	6.250	5.250					1.500
E-2455	A	5.500	3.750					5.438	E-3300	A	6.250	5.250					2.750
E-9268 <sup>3</sup>	A	5.500	3.750					9.875	E-3310	A	6.250	5.250					3.000
KA-1100	A	5.500	4.375					3.000	E-3320	A	6.250	5.250					1.750
E-0890	A	5.625	3.625					5.938	E-3322	A	6.250	5.250					2.500

1) Inner Support Wire 2) Outer Support Wire 3) Closed Top

# Filter Dimensions by Size

Part #	Style	A	B	C	D	E	F	H	Part #	Style	A	B	C	D	E	F	H
<b>Round Filters</b>									<b>Round Filters</b>								
E-3323	A	6.250	5.250					2.750	HU-1200 <sup>1</sup>	A	7.563	6.250					2.875
E-3340	A	6.250	5.250					3.250	E-1000	A	7.750	6.375					3.000
E-3344	A	6.250	5.250					4.000	E-3410	A	7.750	6.750					2.063
E-3346	A	6.250	5.250					6.000	E-3440	A	7.750	6.250					1.750
E-9267 <sup>1</sup>	A	6.250	3.625					5.688	E-3450	A	7.750	6.250					2.500
E-9187	A	6.313	3.625					9.313	E-3460	A	7.750	6.375					3.250
E-3237	A	6.375	5.000					1.500	E-3470	A	7.750	6.375					4.500
E-3240	A	6.375	5.000					1.750	E-3480	A	7.750	6.375					5.500
E-3243	A	6.375	5.000					2.063	E-3490	A	7.750	6.250					6.000
E-3250	A	6.375	5.000					2.250	E-9050	A	7.750	6.750					2.500
E-3260	A	6.375	5.000					2.500	E-9052	A	7.750	6.750					3.250
E-3270	A	6.375	5.000					3.250	E-9054	A	7.750	6.750					1.750
E-3280	A	6.375	5.000					3.625	E-1015	A	8.000	6.750					2.438
E-3282	A	6.375	5.000					3.750	E-1023 <sup>1,3</sup>	A	8.000	4.500					9.250
E-3284	A	6.375	5.000					4.000	E-2015 <sup>3</sup>	A	8.000	4.500					4.625
E-9184	A	6.375	4.750					4.875	E-2615 <sup>1,3</sup>	A	8.000	4.500					8.000
E-9216	A	6.496	4.724					4.449	E-4720	A	8.000	5.500					2.125
E-2017 <sup>1</sup>	A	6.500	4.750					9.313	E-4730 <sup>1</sup>	A	8.000	6.000					8.000
E-2475	A	6.500	4.000					4.000	E-9181	A	8.000	6.125					1.750
E-4595 <sup>1</sup>	A	6.500	4.000					2.250	NO-0100	A	8.125	6.875					2.875
E-4600 <sup>1</sup>	A	6.500	4.000					6.375	E-2570	A	8.188	6.250					1.875
E-4610 <sup>1</sup>	A	6.500	4.000					7.688	E-2600	A	8.188	6.250					2.188
E-9011 <sup>1</sup>	A	6.500	4.000					9.125	E-1025	A	8.250	6.875					2.500
E-9033 <sup>1</sup>	A	6.500	4.000					6.938	E-1040	A	8.313	6.313					3.250
E-2023	A	6.575	3.248					5.709	E-9173	A	8.375	6.625					2.688
E-2485	A	6.750	4.250					3.563	E-3492	A	8.500	6.625					2.375
E-2487	A	6.750	4.250					5.500	E-3972	A	8.813	6.188					1.625
E-2488	A	6.750	4.250					2.750	E-1010	A	9.000	7.000					2.875
E-4640	A	6.750	5.000					2.250	E-1050	A	9.000	7.000					2.000
E-4650	A	6.750	5.000					6.625	E-1700 <sup>1,3</sup>	A	9.000	5.250					12.938
E-2443	A	6.813	4.313					5.813	E-2585	A	9.000	7.000					1.813
E-2440	A	6.875	4.375					5.625	E-2620	A	9.000	7.125					1.875
E-9252	A	6.890	4.882					4.843	E-2630	A	9.000	7.125					2.000
E-2022 <sup>3</sup>	A	6.906	6.811					5.331	E-2640	A	9.000	7.125					2.250
E-0990	A	7.000	5.188					4.625	E-2660	A	9.000	7.125					2.500
E-2490	A	7.000	5.188					2.375	E-2670	A	9.000	7.125					2.375
E-2500	A	7.000	5.188					2.563	E-2710	A	9.000	7.500					2.000
E-2510	A	7.000	5.188					2.750	E-2720	A	9.000	7.500					2.500
E-2520	A	7.000	5.188					3.188	E-3500	A	9.000	7.000					3.000
E-2530	A	7.000	5.188					5.063	E-3510	A	9.000	7.500					2.000
E-2540	A	7.000	5.188					2.188	E-3527	A	9.000	8.000					2.000
E-2550	A	7.000	5.188					3.125	E-3530	A	9.000	8.000					2.875
E-3360	A	7.000	5.188					2.000	E-3532	A	9.000	8.000					3.750
E-3380	A	7.000	5.188					3.000	E-3534	A	9.000	8.000					3.313
E-3390	A	7.000	5.188					3.750	E-3550 <sup>1</sup>	A	9.000	7.500					2.750
E-3400	A	7.000	5.188					4.000	E-3600	A	9.000	7.000					3.500
E-3402	A	7.000	5.500					2.000	E-3640	A	9.000	7.500					4.000
E-3403	A	7.000	5.500					3.000	E-3650 <sup>1</sup>	A	9.000	7.500					5.000
E-4655	A	7.000	5.500					1.750	E-3657 <sup>1</sup>	A	9.000	7.500					7.000
E-4660	A	7.000	5.500					2.000	E-3659 <sup>1</sup>	A	9.000	7.500					9.000
HD-0600 <sup>3</sup>	A	7.000	0					1.975	E-3660 <sup>1</sup>	A	9.000	7.500					10.000
KA-8095	A	7.000	6.000					2.500	E-4780	A	9.000	7.000					6.625
38-9221 <sup>1,3</sup>	A	7.008	3.622					5.000	E-3620	A	9.125	7.875					2.000
E-2553	A	7.250	4.625					4.375	E-3630	A	9.125	7.875					3.500
E-4680 <sup>1</sup>	A	7.250	4.750					8.500	E-9092	A	9.125	7.375					1.938
E-4690	A	7.250	5.250					5.500	E-9135	A	9.188	7.313					2.438
E-9270	A	7.362	4.646					5.905	E-1100	A	9.250	7.500					2.750
E-2601	A	7.375	6.125					2.188	E-1110	A	9.250	7.500					2.625
E-2444 <sup>1,3</sup>	A	7.500	4.125					5.500	E-1112	A	9.250	7.500					2.375
E-2536	A	7.500	5.000					4.344	E-2700	A	9.250	7.250					2.750
E-2560	A	7.500	5.500					4.250	E-2723	A	9.250	6.750					3.125
E-2566	A	7.500	5.625					2.063	E-2725	A	9.250	6.750					3.375
E-3336	A	7.500	6.125					2.250	E-2750	A	9.250	7.500					1.938
E-9225	A	7.500	5.750					2.500	E-2755	A	9.250	7.500					2.438

1) Inner Support Wire 2) Outer Support Wire 3) Closed Top



# Filter Dimensions by Size

Part #	Style	A	B	C	D	E	F	H
<b>Round Filters</b>								
E-1115	A	9.313	7.500					2.500
E-1117	A	9.313	7.500					1.688
E-9101	A	9.528	7.677					1.772
E-9122	A	9.528	7.677					1.969
E-1065	A	9.625	8.375					2.813
E-3670	A	9.625	8.375					3.250
E-3674	A	9.625	8.375					6.000
E-9193 <sup>3</sup>	A	9.646	0.591					0.906
E-2610	A	9.750	7.875					2.250
E-2680	A	9.750	7.875					2.750
E-2730	A	9.750	7.875					1.688
E-2734	A	9.750	7.875					1.750
E-2740	A	9.750	7.875					2.000
E-2760	A	9.750	7.875					2.375
E-2810	A	9.750	8.000					2.563
E-2813	A	9.750	8.000					2.875
E-3675	A	9.875	8.875					2.500
E-1035	A	10.000	8.625					2.438
E-1068	A	10.000	8.375					2.000
E-1070	A	10.000	8.000					2.000
E-1080	A	10.000	8.000					2.250
E-1088	A	10.000	8.000					2.063
E-1090	A	10.000	8.000					2.313
E-1095	A	10.000	8.000					2.563
E-1120	A	10.000	8.000					3.000
E-1150	A	10.000	8.000					3.500
E-1170	A	10.000	8.000					6.000
E-2764	A	10.000	8.000					2.500
E-2861	A	10.000	8.375					3.000
E-3678	A	10.000	8.250					2.750
E-3679	A	10.000	8.000					3.750
E-4790	A	10.000	7.375					2.750
E-4820	A	10.000	7.375					5.500
E-9031	A	10.000	7.375					3.688
E-9080	A	10.000	8.000					2.750
E-2650	A	10.125	8.375					3.438
E-9103	A	10.236	8.268					2.087
E-1030	A	10.375	8.500					2.250
E-2770	A	10.500	8.500					1.750
E-2780	A	10.500	8.500					2.000
E-2790	A	10.500	8.500					2.188
E-2800	A	10.500	8.500					3.250
E-9113	A	10.563	8.750					2.375
HA-1191	A	10.563	8.813					2.875
E-1211	A	10.591	8.741					2.402
E-9176	A	10.630	0.866					2.126
E-1180	A	11.000	9.250					1.750
E-1200	A	11.000	9.000					2.188
E-1210	A	11.000	9.250					2.313
E-1220	A	11.000	9.250					2.500
E-1230	A	11.000	9.250					3.000
E-1240	A	11.000	9.250					2.750
E-1250	A	11.000	9.250					3.500
E-1290	A	11.000	9.000					2.750
E-1300	A	11.000	9.000					2.625
E-1325	A	11.000	9.000					1.938
E-1460	A	11.000	8.375					4.938
E-1461	A	11.000	8.375					4.438
E-2830	A	11.000	9.250					2.375
E-2840	A	11.000	9.250					3.125
E-3680	A	11.000	9.250					5.000
E-3681 <sup>1</sup>	A	11.000	9.000					5.000
E-3690	A	11.000	9.250					6.000
E-3691 <sup>1</sup>	A	11.000	9.000					6.000

Part #	Style	A	B	C	D	E	F	H
<b>Round Filters</b>								
E-3692	A	11.000	9.250					4.000
E-3693 <sup>1</sup>	A	11.000	9.000					8.000
E-4830	A	11.000	8.500					3.375
E-4834	A	11.000	8.500					4.313
E-1280	A	11.250	9.375					1.750
E-1350	A	11.250	9.500					2.125
E-1360	A	11.250	9.375					2.375
E-2690	A	11.250	8.750					1.563
E-2850	A	11.250	9.500					1.875
E-2870	A	11.250	8.875					4.250
E-9190	A	11.299	8.661					4.094
E-1320	A	11.375	8.875					5.563
E-1991	A	11.375	9.375					3.125
E-2820	A	11.500	9.500					2.000
E-3695	A	11.500	9.500					2.375
E-1410	A	12.000	9.813					3.125
E-1420	A	12.000	9.813					5.500
E-1447	A	12.000	9.813					2.125
E-1450	A	12.000	9.813					2.500
E-1500	A	12.000	9.813					3.438
E-1520	A	12.000	9.813					3.000
E-1430	A	12.375	10.875					2.938
E-1440	A	12.500	10.000					5.500
E-1510	A	12.500	10.750					2.625
E-1515	A	12.500	10.750					2.000
E-1530	A	12.500	11.000					2.750
E-1535	A	12.500	11.000					2.875
E-1540	A	12.500	11.000					3.500
E-2855	A	12.500	10.000					2.000
E-3021 <sup>1</sup>	A	12.500	11.000					2.125
E-2865	A	13.000	11.125					2.313
E-3036	A	13.000	11.125					6.000
E-1590	A	13.125	11.625					2.563
E-3698	A	13.125	11.438					2.750
E-3699	A	13.125	11.438					4.000
E-3705	A	13.125	11.625					3.250
E-1550	A	13.250	11.250					1.875
E-1560	A	13.250	11.250					2.188
E-1570	A	13.250	11.500					2.875
E-1577	A	13.250	11.500					2.750
E-1580	A	13.250	11.250					2.500
E-2872	A	13.250	11.500					3.125
E-3700	A	13.250	11.250					4.000
E-2859	A	13.500	11.750					1.500
E-3710	A	13.500	11.750					2.000
E-3717	A	13.500	11.750					2.500
E-3720	A	13.500	11.750					2.750
E-3723	A	13.500	11.750					3.000
E-1690	A	13.750	11.750					4.031
E-1695	A	13.750	11.750					5.500
E-1650	A	14.000	12.000					3.063
E-1651	A	14.000	12.000					3.063
E-3027R	A	14.000	12.250					3.000
E-3028R	A	14.000	12.250					3.250
E-3029R	A	14.000	12.250					3.500
E-3030R	A	14.000	12.250					3.750
E-3031R	A	14.000	12.250					4.000
E-3728R	A	14.000	12.500					3.500
E-3730	A	14.000	12.000					4.000
E-3730R	A	14.000	12.250					4.000
E-3732	A	14.000	12.000					4.500
E-3735	A	14.000	12.688					2.500
E-3737	A	14.000	12.688					3.000
E-3740	A	14.000	12.000					2.313

1) Inner Support Wire 2) Outer Support Wire 3) Closed Top

# Filter Dimensions by Size

Part #	Style	A	B	C	D	E	F	H	Part #	Style	A	B	C	D	E	F	H
<b>Round Filters</b>									<b>Tapered Conical Filters</b>								
E-3742	A	14.000	12.000					2.813	HA-2504 <sup>3</sup>	B	4.750	4.500	0	0			4.500
E-3743 <sup>1</sup>	A	14.000	12.000					3.063	HA-3350 <sup>3</sup>	B	4.750	4.500	0	0			5.000
E-3745 <sup>1</sup>	A	14.000	12.000					3.500	HA-4250 <sup>3</sup>	B	4.750	3.500	0	0			6.000
E-3750 <sup>1</sup>	A	14.000	12.000					4.000	SU-8086 <sup>3</sup>	B	4.750	3.750	3.500				3.250
E-3760 <sup>1</sup>	A	14.000	12.000					5.000	28-4125	B	4.875	2.000	3.875	0.500			16.000
E-3770 <sup>1</sup>	A	14.000	12.000					6.000	YA-6598 <sup>3</sup>	B	4.875	4.875	2.438	0			1.875
E-3978XD <sup>2</sup>	A	14.000	11.500					5.000	RC-9710 <sup>3</sup>	B	4.921	3.504	2.697				6.654
E-3979XD <sup>2</sup>	A	14.000	11.500					4.000	E-2231 <sup>3</sup>	B	5.000	4.438	3.625				9.000
E-2866	A	14.750	13.000					2.500	HA-7580 <sup>3</sup>	B	5.000	4.250	3.000	0			3.625
E-2867	A	14.750	13.000					3.250	SU-7588 <sup>3</sup>	B	5.000	3.500	0	0			4.000
E-3807R	A	15.938	13.313					3.875	SU-7592 <sup>3</sup>	B	5.000	3.500	0	0			4.000
E-3022R	A	16.000	14.250					3.000	HA-3093 <sup>3</sup>	B	5.125	4.500	0	0			4.188
E-3023R	A	16.000	14.250					3.250	E-2020	B	5.197	5.748	3.898	2.835			9.055
E-3024R	A	16.000	14.250					3.500	ML-0850 <sup>3</sup>	B	5.250	5.500	0	0			1.875
E-3025R	A	16.000	14.250					3.750	ML-0920 <sup>3</sup>	B	5.250	5.500	0	0			1.875
E-3026R	A	16.000	14.250					4.000	HA-2440 <sup>3</sup>	B	5.375	4.375	0	0			3.500
E-3976XD <sup>2</sup>	A	16.000	13.000					5.000	28-4115	B	5.500	2.000	4.500	0.500			16.000
E-3802R	A	16.125	14.375					3.000	E-2210 <sup>3</sup>	B	5.500	5.000	2.750	0.375			6.500
E-3804R	A	16.125	14.375					3.500	28-4130	B	5.750	2.000	4.750	0.500			16.000
E-3806R	A	16.125	14.375					4.000	HA-1100	B	5.750	5.375	0	0			2.250
E-1910	A	16.188	13.375					3.000	KA-1000 <sup>3</sup>	B	5.750	3.938	4.125	0			3.563
E-3780	A	16.188	13.375					2.250	28-4100	B	5.875	2.000	4.875	0.500			10.000
E-3786	A	16.188	13.375					3.500	28-4105	B	5.875	2.000	4.875	0.500			8.000
E-3800	A	16.188	13.375					4.000	E-9156	B	5.875	3.500	4.625	2.063			2.000
E-3804	A	16.250	14.500					3.500	SU-5098	B	5.875	4.938	4.000	3.188			4.000
E-3806	A	16.250	14.500					4.063	28-4120	B	6.125	3.000	5.125	1.000			16.000
E-3808	A	16.250	14.500					4.500	E-3007 <sup>3</sup>	B	6.250	7.000	5.375				2.750
E-3973	A	16.250	14.500					10.000	E-3010 <sup>3</sup>	B	6.250	7.000	5.375				3.250
E-3974	A	16.250	14.500					20.000	E-3227 <sup>3</sup>	B	6.250	7.000	5.375				2.750
E-3813 <sup>1</sup>	A	17.000	14.500					3.500	E-3228 <sup>3</sup>	B	6.250	7.000	5.375				3.250
E-3814 <sup>1</sup>	A	17.000	14.500					4.000	SU-4000 <sup>3</sup>	B	6.313	5.438					3.000
E-3815 <sup>1</sup>	A	17.000	14.500					5.000	56-9158	B	6.378	5.748	5.354	4.469			2.480
E-3816 <sup>1</sup>	A	17.000	14.500					6.000	E-0940 <sup>3</sup>	B	6.500	3.000	3.250	0			7.375
E-1920 <sup>1</sup>	A	18.250	15.625					2.750	E-0998 <sup>3</sup>	B	6.500	3.000	3.250	0			7.625
E-3018	A	20.000	17.500					2.125	KA-1287	B	6.500	4.750	5.313	3.625			2.750
E-3820 <sup>1</sup>	A	20.000	17.500					4.000	E-3020	B	6.625	5.125	5.250	0			6.000
E-3825 <sup>1</sup>	A	20.000	17.500					6.000	E-4910 <sup>3</sup>	B	6.625	5.125	5.250				10.000
RP-4820	A	20.000	19.000					7.500	E-0996 <sup>3</sup>	B	6.906	4.000	3.375				5.000
									E-0995 <sup>3</sup>	B	6.938	3.000	3.375	0			6.750
									E-9132 <sup>3</sup>	B	7.000	3.500	4.645				2.441
									E-2315	B	7.188	5.313	3.938	3.313			3.438
									E-3521	B	7.375	5.375	6.375	4.375			3.375
SU-2588 <sup>3</sup>	B	3.125	3.000	0	0			3.375	28-4131	B	8.000	4.875	6.750	3.813			11.625
E-4270 <sup>3</sup>	B	3.250	2.875	2.250				4.000	E-0945 <sup>3</sup>	B	8.000	3.875	4.438				8.000
SU-1250 <sup>3</sup>	B	3.500	3.000	2.250	0			5.625	E-2875 <sup>3</sup>	B	8.000	5.000	5.500				6.000
BU-5000 <sup>3</sup>	B	3.813	2.250	2.500				9.063	RF-1022 <sup>3</sup>	B	8.000	4.500	5.500				6.000
HA-6098	B	3.813	3.500	2.313				5.438	KA-2504	B	8.500	6.000	0				3.250
HA-3500 <sup>3</sup>	B	3.875	3.500					3.875	E-2605-1 <sup>3</sup>	B	8.813	5.000	7.125				3.125
HA-1004 <sup>3</sup>	B	4.000	3.750					5.000	E-3012 <sup>3</sup>	B	9.000	4.000	7.500				10.000
HA-1004R <sup>3</sup>	B	4.000	3.750					5.000	E-3520	B	9.000	7.000	7.250	5.250			3.500
HA-0700 <sup>3</sup>	B	4.125	3.750	2.375	0			5.250	E-2606 <sup>3</sup>	B	10.125	6.000	7.313				3.000
HA-0783 <sup>3</sup>	B	4.125	3.750	2.375	0			6.125	E-9192 <sup>3</sup>	B	10.500	9.000	9.750	7.500			1.250
KA-1700	B	4.438	5.000	2.500	2.500			3.000	38-9119	B	11.417	6.693	2.638	3.543			11.417
RK-3800 <sup>3</sup>	B	4.500	5.500	0	0			2.000	E-9233 <sup>3</sup>	B	12.750	9.438	10.438				2.500
RK-380E <sup>3</sup>	B	4.500	5.500	0	0			2.000	E-3013	B	18.500	16.500	15.000	15.000			2.125
SU-4002 <sup>3</sup>	B	4.500	3.500	2.875	0			5.375									
SU-5002 <sup>3</sup>	B	4.500	3.500	2.875	0			5.500									
CM-0300 <sup>3</sup>	B	4.625	3.750	3.250	0			4.625									
HA-7084 <sup>3</sup>	B	4.625	3.500	0	0			4.500									
KA-8088	B	4.625	3.438	3.813	2.438			3.438	YA-4074	C	3.000		2.000				4.875
YA-3502 <sup>3</sup>	B	4.625	3.500	0	0			6.750	HA-1050 <sup>3</sup>	C	3.750		2.500				4.188
YA-8096 <sup>3</sup>	B	4.625	3.750	0	0			3.438	HA-1087	C	4.000		2.750				5.250
CM-0200 <sup>3</sup>	B	4.750	3.250	3.000	0			4.250	TB-0410 <sup>3</sup>	C	7.500		6.250				1.625
E-3008	B	4.750	3.500	3.500	2.250			5.000	E-1970	C	16.250		14.000				1.750
HA-0900 <sup>3</sup>	B	4.750	5.000	3.750	0			3.875									

## Tapered Conical Filters

## Triangle Filters

1) Inner Support Wire 2) Outer Support Wire 3) Closed Top

# Filter Dimensions by Size

Part #	Style	A	B	C	D	E	F	H
--------	-------	---	---	---	---	---	---	---

## Parallelogram Filters

E-3836	D	14.750	13.375	12.750	11.375			3.000
E-1984	D	16.375	10.000	15.000	8.625			2.375

## Rectangular Filters

YA-1201	E	3.750	3.688	2.125	1.172			2.000
YA-0700	E	4.000	2.625	0	0			3.500
YA-1100	E	4.250	4.250	0	0			3.000
YA-5001	E	4.250	0	0	4.000			3.000
YA-1050 <sup>3</sup>	E	4.563	4.000	0	0			3.000
KA-1600 <sup>3</sup>	E	4.750	4.375	0	0			3.375
YA-4092 <sup>3</sup>	E	5.000	4.875					2.688
YA-1892 <sup>3</sup>	E	5.250	2.875	0	0			2.625
E-3900	E	6.625	4.250	5.875	3.375			1.688
E-3910	E	6.625	4.250	5.875	3.375			1.875
E-3920	E	6.625	4.250	5.875	3.375			3.000
E-3930	E	6.625	4.250	5.875	3.375			3.500
E-3951	E	6.750	4.500	5.750	3.500			1.875
E-3952	E	6.750	4.500	5.750	3.500			2.500
E-3953	E	6.750	4.500	5.750	3.500			3.000
E-3954	E	6.750	4.500	5.750	3.500			4.125
KA-4091	E	7.000	3.875	0	0			3.188
E-9038-1	E	7.441	6.260	6.102	4.921			2.283
E-9040-1	E	7.480	6.102	6.102	4.921			3.661
E-9248	E	7.480	6.181	6.102	4.961			3.819
E-3960	E	7.500	6.125	6.125	4.750			1.750
E-9037-1	E	7.598	6.378	6.063	4.921			1.811
E-9247	E	7.598	6.378	6.063	4.921			2.756
HD-1388 <sup>3</sup>	E	8.438	5.250	0	0			1.750
HD-8834	E	8.438	5.250	0	0			1.500
E-9138	E	8.500	6.500	6.750	4.750			4.250
KA-9006	E	10.000	8.375					1.125
SU-1200 <sup>3</sup>	E	10.250	2.875	9.500	1.750			1.875
KA-0883 <sup>3</sup>	E	11.250	3.500	0	0			2.188
E-2925	E	11.500	8.500	9.500	6.500			2.750
E-9071	E	12.000	9.000	10.750	7.750			1.688
KA-9084 <sup>3</sup>	E	12.000	2.750	10.969	1.188			2.563
E-9030	E	13.000	7.625	11.250	5.875			2.000
E-2930	E	14.750	12.000	13.375	10.625			2.250
E-9179	E	14.750	12.625	12.205	10.709			3.438
E-9068	E	17.008	12.008	15.433	10.433			3.976
E-3817	E	17.875	10.125	15.500	7.750			2.250

## Oval Filters

HA-1088 <sup>3</sup>	F							3.000
HA-4098 <sup>3</sup>	F			2.375	1.500			5.688
HA-4099 <sup>3</sup>	F							4.500
KA-5090 <sup>3</sup>	F							3.438
SU-2391 <sup>3</sup>	F			3.063	2.250			4.000
TB-9002	F	0	6.000	0	0			4.250
YA-6098 <sup>1,3</sup>	F	0	0	4.250	3.000			3.000
E-4250	F	4.063	3.063	2.813	1.813			1.625
KA-0006 <sup>3</sup>	F	4.063	4.875	0	0			6.188
TB-8002	F	4.250	3.313	0	0			5.500
TB-9004	F	4.250	3.313	0	0			6.750
YA-0075 <sup>3</sup>	F	4.250	3.000	3.250	2.000			3.500
AT-6091 <sup>3</sup>	F	4.375	3.250	0	0			6.750
MG-2640	F	4.500	3.500	0	0			3.250
SU-4230	F	4.500	3.250	0	0			4.125
KA-7587	F	4.625	2.250	3.625	1.313			4.469
HA-0750 <sup>3</sup>	F	4.750	3.500	3.500	2.250			4.125
YA-1078 <sup>3</sup>	F	4.750	3.125	3.750	2.125			2.375
BU-1297 <sup>3</sup>	F	5.000	3.500					3.500

Part #	Style	A	B	C	D	E	F	H
--------	-------	---	---	---	---	---	---	---

## Oval Filters

HA-1013-1	F	5.000	3.000					7.438
KA-1192	F	5.000	4.125	3.000	2.125			6.313
E-9241	F	5.354	3.150	4.409	2.165			6.654
E-9121 <sup>3</sup>	F	5.375	4.250	7.087	4.331			7.000
YA-1399 <sup>3</sup>	F	5.375	3.750					3.750
HA-0008	F	5.500	3.375	4.188	2.125			2.625
KA-0800 <sup>3</sup>	F	5.500	4.000	4.250	2.750			2.875
KA-1594 <sup>3</sup>	F	5.500	4.563	0	0			1.813
SU-1691 <sup>3</sup>	F	5.500	4.250	4.500	3.250			2.000
E-2868	F	5.625	4.000	3.875	2.250			6.313
KA-6589	F	5.625	4.125	4.125	2.625			2.500
HA-1187 <sup>3</sup>	F	6.000	3.500	4.750	2.250			5.000
HA-7500 <sup>3</sup>	F	6.000	3.500					2.875
YA-1089	F	6.125	4.813	3.875	2.625			4.250
YA-6094	F	6.125	4.813	3.875	2.625			4.000
TB-2204	F	6.188	4.000					6.813
KA-1150 <sup>3</sup>	F	6.250	4.000	5.000	2.750			3.688
YA-1550 <sup>3</sup>	F	6.250	4.000	5.000	2.750			2.500
HA-1210 <sup>3</sup>	F	6.375	4.375	5.125	3.125			2.313
YA-2088	F	6.375	4.750	5.375	3.750			2.750
E-3011	F	6.500	4.250	5.250	3.000			4.000
E-9098	F	6.500	3.000	4.750	1.125			2.125
HA-8080 <sup>3</sup>	F	6.500	4.625	5.250	3.375			3.688
SU-0007-A <sup>3</sup>	F	6.500	4.250	0	0			4.000
E-1004	F	6.625	4.625	5.250	3.250			8.375
E-2292	F	6.625	2.750	5.625	1.750			2.375
E-2873	F	6.625	5.625	5.375	4.375			7.000
PL-1002	F	6.625	3.813	0	0			3.438
SU-3590	F	6.625	3.750	5.625	2.750			2.500
SU-6590 <sup>3</sup>	F	6.625	4.625	5.250	3.250			2.875
YA-1595 <sup>3</sup>	F	6.625	3.813	0	0			3.250
E-4551 <sup>2</sup>	F	6.750	4.063	5.188	2.563			4.000
E-9269	F	6.875	5.250	4.344	2.875			9.313
HD-2084	F	6.875	5.875	5.625	4.500			2.375
E-3321	F	7.000	4.500	6.125	3.625			1.750
E-3324	F	7.000	4.500	6.125	3.625			2.250
E-3325	F	7.000	4.500	6.125	3.625			2.750
E-3341	F	7.000	4.500	6.125	3.625			3.250
HA-0800	F	7.000	4.500	5.750	3.250			4.650
HA-1294	F	7.000	4.500	5.750	3.250			3.688
HA-1303	F	7.000	4.000	5.750	2.750			3.313
HA-8084 <sup>3</sup>	F	7.000	4.500	5.750	3.250			3.813
HA-8085 <sup>3</sup>	F	7.000	4.500	5.750	3.250			3.813
YA-3586 <sup>3</sup>	F	7.000	3.750	0	0			2.250
PL-1598 <sup>3</sup>	F	7.063	3.750					4.875
HA-2584	F	7.125	5.000	5.875	3.750			2.750
HA-1312	F	7.375	4.000	6.125	2.750			2.063
HA-1314 <sup>3</sup>	F	7.375	4.000	6.125	2.750			2.313
HA-1315	F	7.375	4.000	6.125	2.750			2.500
KA-7408	F	7.500	5.500	7.500	5.500			4.750
YA-1300	F	7.500	1.625	0	0			2.875
SU-5503 <sup>3</sup>	F	7.625	3.313	6.375	2.063			1.688
YA-1285 <sup>3</sup>	F	7.625	3.250					4.563
HA-1302	F	7.750	3.313	3.438	2.031			4.563
HA-6592 <sup>3</sup>	F	7.750	4.750	6.875	2.938			2.500
KA-7504	F	7.750	5.875	0	0			5.063
E-1931	F	7.875	5.063	6.625	3.813			4.250
SU-7596 <sup>3</sup>	F	8.000	5.375	0	0			3.250
E-9249	F	8.071	5.315	3.740	1.693			8.071
HA-1079 <sup>3</sup>	F	8.500	3.750	6.750	2.000			2.500
HA-1245 <sup>3</sup>	F	8.500	3.750	6.500	1.750			2.875
HA-1250 <sup>3</sup>	F	8.500	3.750	6.500	1.750			3.188
E-9165	F	8.750	5.375	7.000	3.500			5.250
E-3014	F	8.813	6.188	0	0			1.625

1) Inner Support Wire 2) Outer Support Wire 3) Closed Top

# Filter Dimensions by Size

Part #	Style	A	B	C	D	E	F	H	Part #	Style	A	B	C	D	E	F	H
<b>Oval Filters</b>									<b>Oval Filters</b>								
E-1935	F	8.875	4.375	6.875	2.375			5.875	E-3001	F	22.000	11.125	20.125	9.250			6.000
E-2890	F	8.875	4.375	6.875	2.375			3.750	E-2950 <sup>1</sup>	F	24.125	5.625	22.750	4.250			2.438
E-3441	F	8.875	5.250	7.375	3.750			1.750	E-2960 <sup>1</sup>	F	24.125	5.625	22.750	4.250			2.125
E-3442	F	8.875	5.250	7.375	3.750			2.000	<b>Panel Filters</b>								
E-3461	F	8.875	5.250	7.500	3.986			3.250	AL-1002	G							1.000
E-3471	F	8.875	5.250	7.375	3.750			4.500	BM-6507	G	4.875	3.125					1.563
E-3481	F	8.875	5.250	7.375	3.750			5.500	43-9074	G	5.354	3.504					1.181
E-3491	F	8.875	5.250	7.375	3.750			6.000	YA-1306	G	5.438	4.625					1.125
E-2871	F	9.000	5.375	6.500	2.875			5.750	YA-1602-U	G	5.438	4.313					0.688
E-3445	F	9.000	5.500	8.000	4.500			1.750	BM-1199	G	5.625	4.313					1.313
E-3446	F	9.000	5.500	8.000	4.500			2.750	33-2709	G	5.750	5.750					0.875
E-3017	F	9.250	8.750					3.000	KA-0009	G	5.750	5.250					0.688
E-3495	F	9.250	8.375					2.125	BM-1204	G	5.875	3.500					1.250
E-3040	F	9.375	6.125					2.250	YA-5008	G	5.875	4.375					1.000
E-9032	F	9.750	6.750	6.875	3.750			4.250	MG-0001	G	5.984	4.449					1.220
HD-0200	F	9.750	5.500	8.375	4.250			2.063	BM-8006	G	6.000	3.625					1.438
HD-2075	F	9.750	5.500	8.375	4.250			2.438	33-2633	G	6.375	4.625					0.938
HD-2076	F	9.750	5.500	8.375	4.250			3.000	KA-6009	G	6.500	0.875					12.500
HD-2078	F	9.750	5.625	8.375	4.375			3.000	KA-6009R	G	6.500	0.875					12.500
MG-0100	F	10.000	6.250	8.500	4.750			2.250	33-2008-1	G	6.625	6.625					1.625
E-1940	F	10.438	8.438	8.875	6.875			1.875	33-2060	G	6.625	6.188					1.063
E-1950	F	10.625	9.250	9.125	7.750			2.125	33-2561	G	6.693	11.339					1.181
E-1955	F	10.625	9.250	9.125	7.750			4.000	33-2359	G	6.750	5.813					1.250
E-2980	F	10.750	8.500	9.000	6.625			1.750	33-2459	G	6.750	6.000					
E-2983	F	10.750	8.500	9.000	6.625			2.438	33-2422	G	6.813	6.688					1.000
E-9236	F	11.024	9.606	7.323	5.906			2.441	33-2544	G	6.938	3.500					0.875
E-1957	F	11.063	6.500	9.625	5.000			3.500	AL-6505	G	6.938	3.500					1.500
E-2920	F	11.125	9.250	9.188	7.313			1.844	33-2584	G	6.969	3.344					0.688
E-2863	F	11.250	10.250	9.500	8.500			2.500	33-2159	G	7.063	5.438					1.188
E-2877 <sup>3</sup>	F	11.250	7.875	8.250	4.875			3.750	33-2258	G	7.125	6.313					1.313
E-9172	F	11.250	7.188	9.500	5.438			1.563	33-2399	G	7.125	6.625					1.000
E-9136	F	11.438	7.875	9.625	6.125			2.375	33-2433	G	7.125	6.000					1.250
E-3504	F	11.500	8.125	9.750	6.375			4.000	AL-4506	G	7.188	5.125					1.000
E-3505	F	11.500	8.125	9.750	6.375			2.000	33-2634	G	7.205	6.654					1.000
E-0785 <sup>3</sup>	F	11.750	5.875	0	0			9.000	33-2860	G	7.250	3.000					1.188
E-3671	F	12.000	5.250	10.750	4.000			3.250	PL-1608	G	7.250	4.250					1.000
E-3672	F	12.000	5.250	10.750	4.000			2.250	33-2348	G	7.375	7.000					0.938
E-3676	F	12.000	5.250	10.750	4.000			5.625	AL-1004	G	7.375	5.188					0.813
E-9166	F	12.205	7.205	10.433	5.512			3.071	HD-1208	G	7.375	3.750					0.875
E-1946	F	12.250	5.500	9.688	3.000			6.000	KA-7589	G	7.375	5.688					0.625
E-2428	F	12.250	9.000	11.375	8.125			2.375	33-2202	G	7.438	6.563					1.188
TB-0300	F	12.250	4.750	0	0			1.500	33-2880	G	7.441	6.496					1.181
E-2874	F	12.375	8.500	9.875	6.000			2.250	SU-9094	G	7.500	7.250					0.625
E-3122	F	12.625	5.000	10.875	3.250			2.375	33-2790	G	7.559	6.062					0.944
E-9110	F	12.625	9.000	10.875	7.250			1.750	33-2022	G	7.563	5.938					1.563
E-2940	F	12.750	8.500	10.500	5.875			2.500	33-2162	G	7.563	6.125					0.875
E-2990	F	12.875	4.875	11.250	3.000			3.188	33-2836	G	7.563	6.875					1.000
E-9090 <sup>3</sup>	F	13.000	8.375	11.750	7.125			1.813	SU-6000	G	7.625	5.313					0.813
E-9091	F	13.875	9.500	12.000	7.625			1.875	SU-6505	G	7.625	5.250					0.875
E-1958	F	14.250	7.750	12.500	6.000			1.938	TB-6000	G	7.625	3.938					0.813
E-9201	F	14.500	8.000	11.750	5.250			2.875	33-2143	G	7.688	6.063					1.125
E-2970	F	14.625	6.500	12.375	4.250			1.844	33-2291	G	7.688	6.125					0.938
E-3514	F	14.625	7.750	13.000	6.188			4.000	33-2564	G	7.750	5.813					1.125
E-3515	F	14.625	7.750	13.000	6.188			2.000	33-2597	G	7.795	6.692					1.181
E-2880	F	15.750	4.625	14.000	2.875			1.938	33-2736	G	7.795	5.944					1.220
E-2910	F	16.125	5.500	14.500	3.625			2.375	33-2092	G	7.813	3.625					1.125
E-2900	F	16.250	5.500	14.500	3.625			2.000	KT-6908	G	7.813	4.750					1.625
E-9178	F	17.500	9.875	15.750	8.125			2.250	33-2044	G	7.875	7.000					1.125
E-1980	F	19.750	15.750	17.750	13.750			2.000	33-2104	G	7.875	7.563					0.938
E-3840	F	19.750	15.750	17.750	13.750			3.000	33-2440	G	7.875	7.063					1.438
E-1960	F	20.813	9.500	18.313	7.000			1.813	33-2955	G	7.875	6.375					1.063
E-1963	F	20.813	9.500	18.313	7.000			3.000	33-2735	G	7.913	5.551					1.220
E-1966	F	20.813	9.500	18.313	7.000			6.000									
E-3035	F	20.813	9.500	18.313	7.000			4.000									

1) Inner Support Wire 2) Outer Support Wire 3) Closed Top



# Filter Dimensions by Size

Part #	Style	A	B	C	D	E	F	H	Part #	Style	A	B	C	D	E	F	H
<b>Panel Filters</b>									<b>Panel Filters</b>								
33-2827	G	7.952	7.520					1.181	33-2076	G	9.125	9.188					1.250
33-2006	G	8.000	5.125					1.250	33-2117	G	9.125	7.750					1.188
33-2380	G	8.000	7.500					1.000	33-2156	G	9.125	7.063					1.063
33-2788	G	8.000	9.313					1.188	33-2375	G	9.125	5.250					0.875
33-2935	G	8.000	8.313					1.000	33-2586	G	9.125	3.563					0.938
BM-0300	G	8.000	6.375					1.688	33-2679	G	9.125	6.125					0.938
33-2796	G	8.031	6.377					0.945	33-2824	G	9.125	5.750					1.063
33-2098	G	8.063	6.375					1.000	BM-1010	G	9.125	6.156					1.125
33-2222	G	8.063	5.875					1.125	33-2285	G	9.188	8.563					0.813
33-2234	G	8.063	7.125					1.000	33-2452	G	9.188	9.000					1.000
33-2821	G	8.063	7.125					3.188	33-2547	G	9.188	5.125					1.188
33-2813	G	8.125	6.688					1.125	33-2873	G	9.188	8.063					1.000
CM-9908	G	8.125	5.250					0.875	33-2070	G	9.250	6.875					1.000
33-2740	G	8.188	6.625					1.260	33-2227	G	9.250	7.500					1.125
33-2866	G	8.188	6.500					1.250	33-2334	G	9.250	8.750					1.188
33-2758	G	8.228	5.551					1.220	33-2398	G	9.250	8.875					1.000
33-2003	G	8.250	8.125					1.563	33-2418	G	9.250	8.125					1.250
33-2340	G	8.250	6.250					1.125	33-2430	G	9.250	8.125					1.250
33-2436	G	8.250	9.813					1.125	33-2733	G	9.250	9.000					1.188
33-2592	G	8.250	6.625					1.313	33-2767	G	9.250	7.750					1.125
DU-9098	G	8.250	8.250					1.188	33-2887	G	9.250	7.500					1.188
KA-2508	G	8.250	5.375					0.625	33-2927	G	9.250	5.500					1.125
33-2105	G	8.313	8.063					2.000	33-2933	G	9.250	8.000					1.000
33-2795	G	8.313	8.000					1.000	33-2072	G	9.313	7.438					1.000
SU-7593	G	8.375	7.375					0.688	33-2188	G	9.313	7.375					1.125
33-2239	G	8.438	6.375					0.875	33-2206	G	9.313	8.375					1.063
HA-1010	G	8.438	3.000					1.125	33-2119	G	9.375	8.000					1.188
YA-1709	G	8.438	5.563					1.000	33-2231	G	9.375	6.875					1.063
33-2515	G	8.465	4.449					1.181	33-2245	G	9.375	6.500					1.125
33-2037	G	8.500	5.875					0.875	33-2305	G	9.375	7.063					0.938
33-2853	G	8.500	6.500					0.938	33-2310	G	9.375	7.125					1.125
33-2914	G	8.500	6.688					0.938	33-2419	G	9.375	8.375					1.250
DU-0900	G	8.500	8.375					0.750	33-2423	G	9.375	8.375					1.125
PL-5003	G	8.500	8.438					1.063	33-2771	G	9.375	7.375					1.125
33-2074	G	8.625	8.000					1.688	33-2826	G	9.375	5.500					0.938
KT-6907	G	8.625	4.625					1.000	33-2951	G	9.375	9.375					1.375
33-2770	G	8.661	7.401					1.260	33-2113	G	9.438	5.688					0.875
33-2435	G	8.688	7.344					1.125	33-2318	G	9.438	7.125					1.125
BM-2605	G	8.688	7.688					0.938	33-2639	G	9.449	6.890					1.181
33-2036	G	8.750	6.500					1.000	33-2595	G	9.450	6.417					1.181
33-2304	G	8.750	8.563					0.938	33-2063-1	G	9.500	7.188					1.063
33-2954	G	8.750	4.750					1.125	33-2242	G	9.500	6.063					1.125
CG-9002	G	8.750	5.250					1.000	33-2373	G	9.500	8.500					1.250
33-2073	G	8.813	8.188					0.938	33-2548-A	G	9.500	8.250					1.063
33-2120	G	8.813	6.500					1.125	33-2658	G	9.500	8.625					1.250
33-2409	G	8.813	6.625					1.000	33-2957	G	9.500	7.188					1.625
33-2702	G	8.813	8.563					1.063	33-2890	G	9.528	8.937					1.378
YA-8596	G	8.813	4.500					0.875	33-2054	G	9.563	8.125					1.313
33-2615	G	8.858	6.693					1.181	33-2136	G	9.563	7.125					1.000
33-2045	G	8.875	8.875					0.875	33-2199	G	9.563	7.625					0.938
33-2067	G	8.875	7.375					1.000	33-2282	G	9.563	6.375					0.938
33-2400	G	8.875	8.625					1.000	33-2429	G	9.563	7.875					0.875
33-2671	G	8.875	6.500					0.938	33-2918	G	9.563	9.563					0.938
33-2682	G	8.875	5.250					1.063	33-2134	G	9.625	6.188					0.875
33-2288	G	8.938	8.625					1.000	33-2171	G	9.625	6.563					0.875
33-2338	G	8.938	6.063					0.938	33-2241	G	9.625	8.125					1.375
33-2027	G	9.000	7.750					1.500	33-2360	G	9.625	6.938					1.000
33-2106-1	G	9.000	7.688					1.188	33-2443	G	9.625	8.750					1.125
33-2224	G	9.000	7.438					1.125	33-2457	G	9.625	8.875					1.250
33-2237	G	9.000	7.500					1.188	33-2802	G	9.625	8.000					1.000
33-2533	G	9.000	6.438					0.813	33-2849	G	9.625	7.500					1.250
TB-9097	G	9.000	3.938					1.063	33-2952	G	9.625	4.750					1.500
33-2155	G	9.063	7.938					1.000	33-2968	G	9.625	5.750					1.625
33-2455	G	9.063	8.625					1.063	33-2793	G	9.645	7.716					0.944

1) Inner Support Wire 2) Outer Support Wire 3) Closed Top

# Filter Dimensions by Size

Part #	Style	A	B	C	D	E	F	H	Part #	Style	A	B	C	D	E	F	H
<b>Panel Filters</b>									<b>Panel Filters</b>								
33-2170	G	9.688	8.188					1.313	33-2700	G	10.125	8.125					0.875
33-2182	G	9.688	6.563					1.125	33-2729	G	10.125	4.125					0.875
33-2265	G	9.688	8.250					1.375	33-2800	G	10.125	8.750					1.000
33-2510	G	9.688	6.750					1.188	33-2727	G	10.157	4.921					1.260
33-2534	G	9.688	5.563					1.250	33-2009	G	10.188	6.625					1.250
33-2833	G	9.688	8.313					1.063	33-2016	G	10.188	8.750					1.625
33-2881	G	9.724	4.606					1.181	33-2298	G	10.188	9.500					1.000
33-2034	G	9.750	5.938					1.000	33-2664	G	10.188	10.078					1.142
33-2077	G	9.750	9.625					1.063	33-2753	G	10.188	7.000					1.063
33-2093	G	9.750	6.250					1.125	33-2618	G	10.236	5.551					1.102
33-2161	G	9.750	6.188					1.063	33-2157	G	10.250	6.500					1.125
33-2204	G	9.750	8.250					1.063	33-2403	G	10.250	8.000					1.000
33-2211	G	9.750	4.688					0.813	33-2415	G	10.250	6.500					0.938
33-2445	G	9.750	6.313					1.000	33-2417	G	10.250	4.313					1.250
33-2748-1	G	9.750	6.750					0.938	33-2665	G	10.250	9.188					1.125
33-2949	G	9.750	5.875					1.000	33-2734	G	10.250	9.625					1.188
33-2960	G	9.750	5.125					1.000	33-2934	G	10.250	8.000					1.125
33-2112	G	9.813	8.813					1.188	33-2961	G	10.250	6.688					1.250
33-2149	G	9.813	8.188					1.125	33-2168	G	10.313	7.063					1.125
33-2500	G	9.813	6.000					1.188	33-2209	G	10.313	8.250					1.125
33-2525	G	9.813	6.500					0.875	33-2312	G	10.313	7.500					0.938
33-2013	G	9.875	8.250					1.625	33-2737	G	10.313	7.938					1.125
33-2041-1	G	9.875	6.188					0.938	33-2874	G	10.315	6.850					1.024
33-2125	G	9.875	8.250					0.750	33-2069	G	10.375	8.938					0.938
33-2147	G	9.875	8.000					0.875	33-2196	G	10.375	5.625					1.188
33-2151	G	9.875	8.375					1.938	33-2437	G	10.375	7.500					1.500
33-2167	G	9.875	7.875					0.938	33-2444	G	10.375	10.250					1.188
33-2680	G	9.875	5.625					1.188	33-2579	G	10.375	5.313					0.750
33-2929	G	9.875	5.250					1.125	33-2819	G	10.375	5.625					1.063
33-2609	G	9.882	7.283					1.181	33-2667	G	10.393	6.535					1.181
33-2033	G	9.938	9.938					0.875	33-2185	G	10.438	4.500					1.188
33-2050-1	G	9.938	6.750					1.063	33-2357	G	10.438	6.250					1.063
33-2095	G	9.938	8.875					1.063	33-2453	G	10.438	9.000					1.000
33-2137	G	9.938	8.500					1.063	33-2647	G	10.438	4.125					1.125
33-2142	G	9.938	8.250					1.188	33-2049	G	10.500	6.625					1.000
33-2150	G	9.938	7.063					0.875	33-2141-1	G	10.500	7.875					0.938
33-2153	G	9.938	7.438					1.125	33-2381	G	10.500	7.188					1.125
33-2675	G	9.938	8.250					1.125	33-2414	G	10.500	7.063					1.250
33-2744	G	9.938	8.938					1.188	33-2424	G	10.500	6.250					1.188
33-2804	G	9.938	6.875					1.188	33-2761	G	10.500	4.563					1.188
33-2794	G	9.960	7.952					0.827	33-2958	G	10.500	8.750					1.000
33-2059	G	10.000	5.750					1.063	33-2966	G	10.500	10.281					1.250
33-2081	G	10.000	7.625					1.250	33-2762	G	10.512	4.213					1.260
33-2094	G	10.000	4.813					1.125	33-2290	G	10.563	4.563					1.250
33-2107	G	10.000	7.250					1.188	33-2672	G	10.563	6.750					0.813
33-2187	G	10.000	7.188					0.813	33-2002	G	10.625	5.000					1.625
33-2201	G	10.000	6.813					1.188	33-2010	G	10.625	6.125					1.375
33-2523	G	10.000	6.500					1.000	33-2268	G	10.625	7.375					1.250
33-2627	G	10.000	7.125					1.063	33-2354	G	10.625	5.313					1.000
33-2862	G	10.000	8.500					1.125	33-2378	G	10.625	6.875					1.000
33-2930	G	10.000	4.625					1.000	33-2392	G	10.625	7.438					1.438
33-2964	G	10.000	9.750					1.625	33-2521	G	10.625	7.375					0.875
SU-6509	G	10.000	9.938					1.000	33-2701	G	10.625	10.500					1.250
33-2629	G	10.039	7.677					1.102	33-2953	G	10.625	9.250					1.125
33-2026	G	10.063	6.813					1.188	33-2963	G	10.625	10.000					0.125
33-2055	G	10.063	5.500					0.875	HA-6007R	G	10.625	5.500					1.250
33-2205	G	10.063	9.125					1.125	33-2053	G	10.688	8.125					1.313
33-2351	G	10.063	6.313					1.188	33-2086	G	10.688	8.000					1.125
33-2676	G	10.063	6.375					0.938	33-2087	G	10.688	5.188					1.313
YA-1009	G	10.063	5.813					0.813	33-2250	G	10.688	8.000					1.125
YA-1009R	G	10.063	5.813					0.813	33-2270	G	10.688	6.375					1.063
33-2131	G	10.125	4.563					0.813	33-2316	G	10.688	7.938					1.063
33-2198	G	10.125	6.938					0.875	33-2649	G	10.688	7.125					1.125
33-2451	G	10.125	6.500					0.875	33-2846	G	10.688	6.750					1.250

1) Inner Support Wire 2) Outer Support Wire 3) Closed Top

# Filter Dimensions by Size

Part #	Style	A	B	C	D	E	F	H
<b>Panel Filters</b>								
33-2124	G	10.750	6.563					0.813
33-2180	G	10.750	5.563					0.938
33-2246	G	10.750	9.750					0.875
33-2385	G	10.750	9.875					1.000
33-2428	G	10.750	10.250					1.250
33-2759	G	10.750	8.625					1.188
33-2839	G	10.750	7.188					1.188
33-2068	G	10.813	6.563					1.063
33-2293	G	10.813	7.313					1.125
33-2861	G	10.813	7.000					1.188
33-2017	G	10.875	10.250					1.188
33-2126	G	10.875	5.250					0.750
33-2229	G	10.875	7.313					1.125
33-2397	G	10.875	7.125					1.000
33-2663	G	10.875	6.250					1.125
33-2886	G	10.875	6.750					1.250
33-2091-1	G	10.938	7.125					0.938
33-2166	G	10.938	6.188					1.125
33-2253	G	10.938	9.750					0.938
33-2325	G	10.938	9.750					0.938
33-2921	G	10.938	6.375					0.813
33-2031-2	G	11.000	6.563					1.125
33-2075	G	11.000	6.563					1.063
33-2110	G	11.000	7.313					1.125
33-2232	G	11.000	6.563					1.063
33-2249	G	11.000	9.063					0.938
33-2297	G	11.000	9.875					1.625
33-2343	G	11.000	6.250					0.875
33-2439	G	11.000	8.875					1.250
33-2448	G	11.000	9.000					1.000
33-2454	G	11.000	7.000					1.000
33-2704	G	11.000	6.750					1.250
33-2969	G	11.000	7.875					1.000
DU-9001	G	11.000	8.563					0.938
KA-6005	G	11.000	4.563					1.500
33-2598	G	11.023	7.401					1.181
33-2080	G	11.063	7.063					1.063
33-2214	G	11.063	7.438					1.063
33-2296	G	11.063	9.125					0.938
33-2526	G	11.063	8.188					1.188
33-2870	G	11.063	4.813					1.125
33-2877	G	11.063	7.480					1.181
DU-6202	G	11.063	8.563					0.875
33-2221	G	11.125	7.375					1.125
33-2532	G	11.125	10.438					1.188
33-2752	G	11.125	6.000					1.250
33-2841	G	11.125	6.313					1.000
33-2854	G	11.125	1.500					1.500
33-2931	G	11.125	3.875					1.000
33-2746	G	11.141	10.314					1.220
33-2892	G	11.142	9.803					1.339
33-2728	G	11.181	3.819					0.866
33-2755	G	11.181	8.346					1.260
33-2024	G	11.188	6.125					1.125
33-2255	G	11.188	5.813					1.125
33-2336	G	11.188	6.625					0.938
33-2654	G	11.188	5.563					0.875
33-2779	G	11.188	9.938					1.125
33-2012	G	11.250	7.500					1.500
33-2015	G	11.250	8.875					1.063
33-2127	G	11.250	6.500					1.813
33-2212	G	11.250	8.000					1.125
33-2223	G	11.250	6.563					0.875
33-2272	G	11.250	7.563					1.125

Part #	Style	A	B	C	D	E	F	H
<b>Panel Filters</b>								
33-2371	G	11.250	5.375					1.000
33-2513	G	11.250	6.563					1.188
33-2708	G	11.250	7.250					0.813
33-2956	G	11.250	9.000					1.438
33-2726	G	11.259	5.275					1.181
33-2543	G	11.270	8.200					1.188
33-2289	G	11.313	9.000					1.000
33-2594	G	11.339	12.795					1.220
33-2020	G	11.375	6.563					1.563
33-2048	G	11.375	9.625					1.063
33-2116	G	11.375	9.000					0.938
33-2139	G	11.375	9.688					0.875
33-2235	G	11.375	9.000					0.938
33-2252	G	11.375	5.875					1.000
33-2286	G	11.375	9.625					1.000
33-2287	G	11.375	8.500					0.938
33-2300	G	11.375	5.875					1.063
33-2442	G	11.375	10.125					1.000
33-2962	G	11.375	10.125					1.625
33-2970	G	11.375	8.000					0.875
33-2603	G	11.417	5.315					0.669
33-2195	G	11.438	7.875					0.938
33-2208	G	11.438	9.125					1.125
33-2225	G	11.438	5.813					1.125
33-2233	G	11.438	8.500					1.125
33-2295	G	11.438	8.313					1.063
33-2314	G	11.438	9.063					1.063
33-2725	G	11.438	3.375					1.125
33-2787	G	11.438	9.125					1.188
33-2589	G	11.496	6.417					1.181
33-2040	G	11.500	9.188					0.875
33-2042	G	11.500	6.000					1.125
33-2213	G	11.500	8.688					1.188
33-2254	G	11.500	7.313					1.125
33-2363	G	11.500	9.000					1.125
33-2410	G	11.500	7.156					1.875
33-2420	G	11.500	8.500					1.625
33-2673	G	11.500	3.938					1.188
33-2703	G	11.500	8.813					1.000
33-2273	G	11.563	6.750					1.125
33-2038	G	11.625	7.125					0.875
33-2228	G	11.625	6.375					1.125
33-2315	G	11.625	7.125					1.313
33-2434	G	11.625	9.125					1.625
33-2447	G	11.625	8.313					1.000
33-2699	G	11.625	3.313					1.125
33-2850	G	11.625	6.000					1.188
BU-1108	G	11.625	7.375					0.750
33-2065	G	11.688	5.313					0.875
33-2271	G	11.688	9.250					0.938
33-2308	G	11.688	5.438					1.000
33-2333	G	11.688	8.813					1.125
33-2337	G	11.688	9.188					1.000
33-2057	G	11.750	8.250					0.938
33-2096	G	11.750	6.563					1.000
33-2370	G	11.750	7.813					1.000
33-2632	G	11.750	6.250					1.000
33-2705	G	11.750	6.625					1.250
33-2799	G	11.810	10.708					0.906
33-2207	G	11.813	7.438					1.000
33-2505	G	11.850	3.500					0.945
33-2056	G	11.875	10.750					1.750
33-2203	G	11.875	8.250					1.063
33-2275	G	11.875	8.438					0.938

1) Inner Support Wire 2) Outer Support Wire 3) Closed Top

# Filter Dimensions by Size

Part #	Style	A	B	C	D	E	F	H	Part #	Style	A	B	C	D	E	F	H
<b>Panel Filters</b>									<b>Panel Filters</b>								
33-2366	G	11.875	7.000					1.125	33-2005	G	12.500	7.063					1.313
33-2427	G	11.875	9.000					1.000	33-2066-1	G	12.500	6.938					1.063
33-2851	G	11.875	6.813					1.188	33-2135	G	12.500	9.875					1.625
33-2852	G	11.875	9.313					1.063	33-2321	G	12.500	6.750					0.938
33-2926	G	11.875	5.625					1.500	33-2438	G	12.500	9.188					1.750
33-2085	G	11.938	5.188					1.125	33-2441	G	12.500	8.125					1.000
33-2218	G	11.938	5.250					1.250	33-2749	G	12.500	8.375					1.125
33-2335	G	11.938	6.313					1.063	33-2847	G	12.500	4.438					1.125
33-2772	G	11.938	4.375					1.125	33-2115-1	G	12.563	5.813					1.063
33-2858	G	11.938	6.750					1.188	33-2260	G	12.563	7.563					0.938
33-2079	G	12.000	7.125					1.125	33-2177-1	G	12.625	6.813					0.938
33-2165	G	12.000	5.750					1.125	33-2197	G	12.625	5.250					1.125
33-2309	G	12.000	6.813					0.938	33-2278	G	12.625	6.875					1.000
33-2358	G	12.000	7.625					0.938	33-2910	G	12.625	6.000					0.875
33-2368	G	12.000	6.500					0.875	33-2945	G	12.625	5.000					1.563
33-2383	G	12.000	6.875					1.000	33-2959	G	12.625	10.000					1.750
33-2395	G	12.000	6.750					0.938	33-2178	G	12.688	6.125					0.938
33-2425	G	12.000	5.625					1.250	33-2539	G	12.688	6.000					1.188
33-2593	G	12.000	8.000					1.125	33-2743	G	12.688	3.813					1.125
33-2653-2	G	12.000	8.938					1.063	33-2848	G	12.688	9.750					1.188
33-2768	G	12.000	7.188					1.125	33-2019	G	12.750	6.563					1.563
33-2867	G	12.000	7.375					1.188	33-2078	G	12.750	5.750					1.063
33-2950	G	12.000	9.500					1.125	33-2176	G	12.750	8.313					1.125
33-2029	G	12.063	7.125					1.125	33-2306	G	12.750	9.500					1.063
33-2144	G	12.063	9.188					0.875	33-2387	G	12.750	12.000					1.375
33-2190	G	12.063	7.063					1.063	33-2656	G	12.750	10.063					1.000
33-2215	G	12.063	3.875					1.125	33-2666	G	12.755	4.881					1.299
33-2256	G	12.063	4.625					1.125	33-2023	G	12.813	5.750					1.188
33-2831	G	12.063	7.688					1.250	33-2099	G	12.813	5.813					1.063
33-2097	G	12.125	9.000					1.063	33-2121-1	G	12.813	7.688					1.000
33-2145-1	G	12.125	7.250					1.125	33-2140-1	G	12.813	7.688					0.875
33-2184	G	12.125	7.375					1.125	33-2766	G	12.813	10.438					1.063
33-2405	G	12.125	6.125					1.000	33-2842	G	12.875	6.063					0.938
33-2739	G	12.125	5.813					1.125	33-2928	G	12.875	6.000					1.125
33-2512	G	12.165	6.417					1.181	33-2939	G	12.875	6.938					1.500
33-2163	G	12.188	6.188					0.875	33-2277	G	12.938	5.625					0.938
33-2279	G	12.188	6.875					1.000	33-2317	G	12.938	7.625					0.938
33-2426	G	12.188	10.500					1.438	33-2683	G	12.938	6.188					1.125
33-2843	G	12.188	6.125					0.938	33-2299	G	13.000	5.625					0.875
33-2032	G	12.250	7.125					1.063	33-2347	G	13.000	5.563					0.938
33-2064	G	12.250	7.938					1.000	33-2362	G	13.000	6.750					1.000
33-2230	G	12.250	6.188					0.875	33-2678	G	13.000	6.000					1.125
33-2374	G	12.250	5.250					1.125	33-2844	G	13.000	4.000					1.125
33-2431	G	12.250	9.625					1.250	33-2043	G	13.063	9.438					1.063
33-2924	G	12.250	7.953					0.875	33-2183	G	13.063	7.375					1.125
33-2967	G	12.250	10.063					1.000	33-2210	G	13.063	5.563					1.125
33-2108	G	12.313	7.938					1.188	33-2747	G	13.063	7.375					1.125
33-2146	G	12.313	9.188					0.875	33-2001	G	13.125	5.000					1.563
33-2160	G	12.313	9.188					0.875	33-2046	G	13.125	5.250					1.063
33-2226	G	12.313	6.188					1.125	33-2538	G	13.125	6.313					1.188
33-2943	G	12.313	10.750					1.625	33-2248	G	13.188	7.250					1.500
33-2798	G	12.322	6.141					0.866	33-2446	G	13.188	6.375					1.000
33-2408	G	12.344	9.813					0.813	33-2750	G	13.188	8.063					1.188
33-2030	G	12.375	6.313					0.875	33-2763	G	13.188	6.500					1.188
33-2052	G	12.375	7.500					1.000	TB-9091	G	13.250	4.938					0.438
33-2266	G	12.375	6.563					1.000	33-2169	G	13.313	6.688					1.188
33-2319	G	12.375	10.875					1.500	33-2382	G	13.313	6.563					1.125
33-2922	G	12.375	5.875					1.000	33-2546	G	13.313	9.000					0.875
33-2965	G	12.375	4.500					1.250	33-2677	G	13.313	3.875					0.875
33-2129	G	12.438	9.813					1.188	33-2782	G	13.346	6.614					1.260
33-2764	G	12.438	10.813					1.063	33-2018	G	13.375	6.563					1.563
33-2835	G	12.438	6.313					0.875	33-2251	G	13.375	11.125					1.000
33-2816	G	12.440	7.559					0.906	33-2645	G	13.375	9.188					1.063
33-2884	G	12.480	10.315					1.181	33-2648	G	13.375	6.875					1.188

1) Inner Support Wire 2) Outer Support Wire 3) Closed Top



# Filter Dimensions by Size

Part #	Style	A	B	C	D	E	F	H
<b>Panel Filters</b>								
33-2878	G	13.375	8.813					1.188
33-2084	G	13.438	6.625					1.125
33-2114	G	13.438	6.250					1.125
33-2175	G	13.438	6.625					1.063
33-2507	G	13.438	5.813					1.313
33-2599	G	13.438	5.500					1.250
33-2865	G	13.438	5.313					1.188
33-2123	G	13.500	7.125					1.563
33-2384	G	13.500	8.750					1.125
33-2662	G	13.504	6.890					1.181
33-2122	G	13.563	6.688					1.125
33-2518	G	13.625	6.813					1.187
33-2530	G	13.625	8.250					0.866
33-2670	G	13.625	7.125					1.500
HA-7008	G	13.625	8.250					1.438
33-2181	G	13.688	5.188					1.250
33-2051	G	13.750	4.125					1.063
33-2058	G	13.750	5.125					1.125
33-2152	G	13.750	8.375					1.188
33-2247	G	13.750	9.313					1.563
33-2339	G	13.750	4.813					1.188
33-2626	G	13.779	5.905					1.181
33-2269	G	13.875	8.375					1.188
33-2391	G	13.875	10.313					1.625
33-2406	G	13.875	9.375					1.125
33-2577	G	13.875	9.625					1.250
33-2916	G	13.875	4.125					1.125
33-2509	G	13.938	3.582					1.181
33-2128	G	14.000	7.188					1.250
33-2394	G	14.000	11.750					1.000
33-2576	G	14.000	8.375					1.000
33-2925	G	14.000	3.250					1.125
33-2631	G	14.015	5.551					1.181
33-2891	G	14.016	10.354					1.339
33-2130	G	14.063	6.000					1.125
33-2164	G	14.125	9.313					0.938
33-2765	G	14.173	6.688					1.188
33-2559	G	14.213	10.118					0.827
33-2936	G	14.250	5.750					0.875
33-2172	G	14.375	5.250					1.063
33-2386	G	14.375	5.125					1.125
33-2697	G	14.375	5.813					1.125
33-2834	G	14.375	6.750					1.250
33-2154	G	14.500	6.500					0.938
33-2349	G	14.563	9.375					0.813
33-2344	G	14.625	6.250					1.000
33-2502	G	14.625	4.488					1.417
33-2864	G	14.688	3.250					1.188
33-2284	G	14.750	8.875					0.938
33-2369	G	14.750	9.500					0.875
33-2432	G	14.750	9.000					1.125
33-2508	G	14.750	6.125					1.250
33-2932	G	14.750	5.750					1.625
33-2549	G	14.813	6.625					1.125
33-2264	G	14.875	6.125					1.188
33-2573	G	14.875	5.813					1.125
33-2730	G	14.875	5.563					0.875
33-2504	G	15.000	4.488					1.220
33-2915	G	15.063	7.000					1.063
33-2574	G	15.118	5.945					1.181
33-2324	G	15.125	7.188					0.938
33-2745	G	15.250	6.375					1.063
33-2857	G	15.250	7.313					1.188
33-2313	G	15.313	7.250					1.000

Part #	Style	A	B	C	D	E	F	H
<b>Panel Filters</b>								
33-2353	G	15.313	8.188					1.000
33-2570	G	15.354	6.024					0.906
33-2132	G	15.563	5.813					1.125
33-2545	G	15.625	8.563					1.000
33-2004	G	15.750	7.000					1.688
33-2062-1	G	15.938	7.813					1.500
33-2014	G	16.000	7.750					1.063
33-2118	G	16.000	8.000					1.000
33-2322	G	16.000	7.875					1.125
33-2111	G	16.063	8.000					1.125
33-2912	G	16.313	8.875					1.125
33-2011	G	16.500	5.750					0.750
33-2522	G	16.750	5.313					0.688
33-2937	G	16.750	3.750					1.063
33-2331	G	16.813	5.000					1.188
33-2514	G	17.165	6.063					1.220
33-2710	G	17.519	5.118					1.181
33-2035	G	17.563	10.625					1.063
33-2635	G	17.750	5.313					1.250
33-2722	G	18.188	7.375					1.125
33-2193	G	18.250	3.250					1.125
33-2642	G	18.503	6.692					1.188
33-2640	G	18.813	5.688					1.188
38-0739 <sup>1</sup>	G	19.625	19.625					1.313
33-2591	G	20.250	6.188					0.938
33-2807	G	20.354	4.527					0.984
33-2189	G	20.500	6.938					1.063
33-2244	G	20.563	3.313					1.125
33-2706	G	22.313	6.375					1.000
38-0737 <sup>1</sup>	G	24.000	19.625					1.313

## Trapezoidal Filters

E-1923	H	8.750	7.250	5.000	7.250	5.750	3.500	2.250
--------	---	-------	-------	-------	-------	-------	-------	-------

## Round Panel Filters

E-9209	I	9.625						1.500
E-9199	I	10.000						1.500
E-9106	I	10.250						1.500
E-9107	I	10.250						1.500
E-9191	I	10.500						1.500
E-9194	I	11.500						1.370

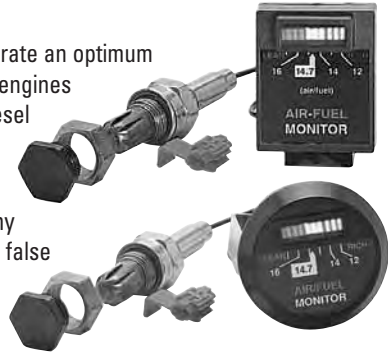
1) Inner Support Wire 2) Outer Support Wire 3) Closed Top

# AIR FILTER ACCESSORIES

## AIR/FUEL RATIO MONITORS

The K&N Air/Fuel Monitor is a precision instrument designed to help performance enthusiasts calibrate an optimum air/fuel mixture ratio. This device will work on carbureted, injected, supercharged or turbocharged engines using unleaded gasoline, alcohol, propane or nitrous oxide. It will not work with nitromethane or diesel fuels. Using the instrument to monitor the engine's air/fuel mixture ratio, a tuner can adjust for power, economy and/or improved drivability.

The oxygen sensor in your K&N Air/Fuel Monitor assembly is not compatible with leaded fuels or any fuel additive containing lead. Leaded fuel will contaminate the oxygen sensor causing it to deliver a false reading. The Monitor can, however, be used to momentarily test an engine burning leaded fuel. Simply install the sensor - re-calibrate the fuel delivery system to deliver the desired air/fuel ratio - then remove the sensor to avoid prolonged exposure. Short term exposure will extend the useful life of the sensor when testing an engine burning leaded fuel, but eventually it will become contaminated. Once contaminated, the sensor must be replaced to restore the accuracy of your instrument. Additionally, since there is no efficient way to test the sensor, there is no way to determine the level of contamination. Therefore, we recommend periodically comparing a used sensor to a new one.



### OTHER PRODUCTS THAT WILL CONTAMINATE OR CLOG THE SENSOR ARE:

- Gas/oil mixture
- Octane boosters containing lead
- Injector or carburetor cleaners containing lead additives
- Other "secret potions"

DESCRIPTION	PART#
Rectangle "Surface-mount" Complete Kit (includes monitor, sensor and weld-on fittings)	85-2437
Round "In-dash" Complete Kit (includes monitor, sensor and weld-on fittings)	85-2441
Rectangle Monitor only	85-2439
Round Monitor only	85-2442
Oxygen sensor only (includes weld-on fittings)	85-2438
Weld-on fitting	85-21688
O2 sensor plug	85-21686
Under-dash mount gauge bezel, for round monitor, black finish	85-2443
O2 sensor bushing and plug	85-2440

## FILTER MINDER®

The Filter Minder® is an air filter service indicator that monitors air filter restriction and indicates when the air filter should be serviced. As the air filter gets dirty, the yellow position indicator moves in the clear window of the service indicator and locks at the highest point. It can be read even after the engine is turned off. The air filter should not be cleaned until the yellow position indicator reaches the red zone. Reset the position of the indicator to zero by pushing the yellow reset at the end of the service indicator.

### IMPORTANT NOTES:

- Air filters typically plug very slowly, and initial filter restriction may not occur until 50,000 miles or more depending on operating conditions. Diesel applications and off-road use will generally require more frequent cleanings or maintenance.
- Most applications will show no air filter restriction on the service indicator with a new K&N Air Filter. There may be rare instances where the position indicator could move in the window even with a new air filter. This could result from high airflow engine requirements, or from operating in high humidity or rain. Do not be alarmed if the clean air filter restriction exceeds the initial calibration of the service indicator. The air filter should not be cleaned until the yellow position indicator reaches the red zone.
- K&N Air filters become more efficient at stopping dirt as they build a dust film. It is recommended that the air filter be cleaned only when the air filter service indicator reaches the red zone.



85-2445

85-2444

DESCRIPTION	PART#
1/8" pipe threaded Filter Minder	85-2444
Grommet Mount Filter Minder	85-2445

Filter Minder® is a registered trademark of Engineered Products Company.

## K&N CARBURETOR COVERS

K&N carburetor covers 5 1/8" standard and 7 5/16" dominator carburetors.



DESCRIPTION	BLACK	RED	ORANGE
5 1/8"	85-8913CK	85-8913CR	85-8913CO
7 5/16"	85-8932CK	85-8932CR	85-8932CO

## K&N SEALING GREASE

K&N Air Filter Sealing Grease provides an air tight fit around sealing surfaces on all types of air filter elements. It resists heat and will not melt or run off.

Note: K&N Air Filter sealing grease is not to be used on clamp-on filter elements.



DESCRIPTION	PART#
6 oz. squeeze tube	99-0704

## AIR FILTER ADAPTERS

- CAD Designed
- Made of High Quality Materials Such as Aluminum, Silicone or Reinforced Nylon
- One Year Limited Warranty



K&N Air Filter Adapters are perfect for the person looking to build their own intake system. Each component is designed with the latest CAD software to ensure exact tolerances and a perfect fit. Each adapter is configured to work in conjunction with K&N High-Flow Air Filters™ to ensure smooth non-turbulent air flow.

DESCRIPTION	ADAPTERS	PART#	GASKETS	PART#
TACOMA; 1995-99 L4-2.4L, 2.7L, 5" filter flange to mass air sensor	#230	08781	for #230 Adapter	09040
GM Truck/Corvette; 1999-04, 6" filter flange to mass air sensor	#240	08783	for #240 Adapter	09033
Ford Car/Truck V8, 1996-04, 6" Flange Filter to mass air sensor	#250	08785	for #250 Adapter	09984
Ford Car/Truck V6, 1997-04, 6" Flange Filter to mass air sensor	#290	21504	for #290 Adapter	09330
Ford/Mazda I4/V6, 1995-04, 5" Flange filter to mass air sensor	#350	21510	for #350 Adapter	09202
Nissan 3.3L V6, 2001-04, 5" Flange filter to mass air sensor	#360	21511	•	•
6" Flange to 3.5" Tube	#380	21512	•	•
Mitsubishi I4, 2003-04, 6" Flange filter to mass air sensor	#390	088010	•	•
Ford Super Charged V8, 2003-04, 6" Flange filter to mass air sensor	#400	21513	for #400 Adapter	09067

## WELD-ON MAF SENSOR ADAPTERS

- Precision CNC Machined from 6061 Aluminum
- CAD Design for Accurate Mass Air Flow Sensor Readings
- One Year Limited Warranty

K&N Weld on Mass Air Flow sensor adapters are designed to ensure a perfect MAF sensor fit. Re-positioning/installation of a MAF sensor can be a sensitive task. These precisely engineered adapters will ensure proper fitment. Weld-on MAF adapters are available for a majority of drop in MAF sensors styles and makes. Please call for applications.



DESCRIPTION	PART#
A2; 2005-06 Toyota Tundra V6, 2003-08 Mazda RX8	08951
A3; Toyota, Mazda, Subaru	08952
A4; Ford, GMC, Pontiac, Chevy, Isuzu, Nissan, Infiniti, Audi, VW, Toyota	08954
A5; Ford, GM, Toyota	08955
A7; Toyota	08978

## SILICONE HOSE COUPLERS

- Made of the Highest Grade Silicone
- Standard Temperature Range of -65° F to 350° F

K&N Silicone Hose Couplers are made of the highest grade silicone for uniformity. They have a standard temperature range of -65° F to 350° F, and are available in an assortment of sizes ranging from 2 3/8" - 5". Elbows and hump hoses also available. One year limited warranty.



DESCRIPTION	PART#	DESCRIPTION	PART#
2.125" Dia. x 2" L	85-1170	2.5" to 3.25" Step	084050
2.25" Dia. x 2" L	85-1160	2.75" to 2.38" Step	088003
2.5" Dia. x 2" L	08284	2.75" to 3" Step	08096
2.63" Dia. x 1.75" L	08108	3.25" to 3" Step	08186
2.75" Dia. x 1.50" L	08179	3.5" to 3" Step	08724
2.75" Dia. x 2" L	08756	3.5" to 3.25" Step	08051
3" Dia. x 1.75" L	08190	3.75" x 1.75" L	08536
3" Dia. x 2.5" L	08192	3.75" x 2.25" L	08760
3.25" Dia. x 2" L	08690	4" x 1.25" L	08712
3.5" Dia. x 2" L	08698	4" x 1.5" L	08755
3.63" Dia. x 2.5" L	08456	4" x 2" L	08761
3" Dia. to 2.5" Step	08713	4" x 3.5" Step	08050
2.375" to 3" Step	08188	4.5" x 1.75" L	08540

## CUSTOM AIR FILTER ACCESSORIES

FOR 9" CUSTOM AIR FILTER KITS	PART#		
5 1/8" Flange, Base Plate	03351		
5 1/8" Flange, Velocity Stack 5" High	03418		
7 5/16" Flange, Base Plate	03365		
7 5/16" Flange, Velocity Stack 5" High	00283		
7 5/16" Flange, Top Plate	06883		
FOR 11" CUSTOM AIR FILTER KITS	PART#		
5 1/8" Flange, Base Plate	01988		
7 5/16" Flange, Base Plate	01518		
16" CUSTOM AIR FILTER KITS	PART#		
7 5/16" Flange, Base Plate, 1" Drop	08984		
7 5/16" Flange, Top Plate	07377		
DELLORTO	PART#	DELLORTO	PART#
RAM PIPE DSS 40/20	85-5029	RAM PIPE 45/20	85-5032
RAM PIPE DSS 40/30	85-5030	RAM PIPE DSS 45/40	85-5034
RAM PIPE DSS 40/40	85-5031		
WEBER	PART#	WEBER	PART#
RAM PIPE	85-5042	RAM PIPE WSS 45/16	85-5045
RAM PIPE WSS 40/26	85-5043	RAM PIPE WSS 45/26	85-5046
RAM PIPE WSS 40/39	85-5044	RAM PIPE WSS 45/39	85-5047

# AIR FILTER ACCESSORIES

## VALVE COVER AND FILTER VENT TUBES



Universal adapters for smog tubes, crankcase and valve cover vents. Requires drilling hole in air filter base or valve cover. All come with mounting hardware and gasket.

DESCRIPTION	PART#
Steel 1/2" flange, 3/4" long, requires 5/8" hole	85-1050
Plastic straight adapter fits 5/8" to 3/4" hose	85-1130
Plastic 90° elbow fits 5/8" hose, requires 7/8" hole	85-1190
Plastic 90° elbow fits 1/2" hose, requires 9/16" hole	85-1120
Plastic 90° elbow fits 3/8" hose, uses rubber grommet	85-1140
Plastic 90° elbow fits 1/2" hose, uses rubber grommet	85-1150
Plastic screw-in for Ford valve covers, for mounting 1 1/2" I.D. CV filter	85-1200
Plastic screw-in for late GM valve covers, for mounting 1 1/2" I.D. CV filter	85-1210
Plastic universal mount, for any flat surface. Use 1 1/2" I.D. CV filter	85-1220

## CARBURETOR ADAPTERS

Allows remote mounting of air filter. Use smooth bore 3" I.D. hose. Do not use accordion flex hose between connections, as it restricts air flow and is difficult to seal properly.



CARBURETOR	FLANGE SIZE	ADAPTER O.D.	PART#
VW Solex	2 1/32"	3"	85-1010

## ADAPTER FLANGES



Quick convenient way to adapt K&N Universal Filter to carburetor with flat flange.

CARBURETOR FLANGE SIZE	BOLT CIRCLE	ADAPTER O.D.	ADAPTER WIDTH	ADAPTER PART#
1 1/8" bore, 2-bolt	1 3/8"	2 3/4"	7/8"	85-1070
1 5/8" bore, 3-bolt	2"	2 3/4"	5/8"	85-1080
1" bore, 2-bolt	45mm	2 7/16"	5/8"	85-1090
1" bore, 2-bolt	40mm	2"	5/8"	85-1180

## FUEL LINE "T" FITTING

Maximum flow, durable, light weight, easy to use. One size fits 1/4" to 3/8" I.D. hose.



81-0271

DESCRIPTION	PART#
Packed 12 per card	81-0270
Packed 1 per card	81-0271



## AIR FILTER HARDWARE KITS

All kits are packaged on attractive display card.

DESCRIPTION	PART#
5mm x 12mm Hex head bolts/5mm wafer washers (6 each)	85-7855
6mm x 12mm Hex head bolts, 6mm locknuts, 6mm wafer washers (4 each)	85-7863
1/4-20 Clip nuts, 1/4-20 x 3/4" Phillips head (2 each)	85-8362
Washers: Stalen, 6mm wave, 5mm wave (6 each)	85-8221
O-ring for Weber IDA (2 each)	85-7728
O-ring for Weber DCOE (2 each)	85-7752
10-24 Acorn nuts, 10-24 wave washers (6 each)	85-7493
5mm x 10mm Socket head bolts, 5mm wave washers (4 each)	85-7848

## MARINE STYLE VENT HOSE ADAPTERS



These vents mount in between the top and bottom plates of custom chrome air filter assemblies. Vent tube accommodates breather hose without drilling filter base.

HOSE SIZE	2 3/4" FLTR HT	4" FLTR HT	6" FLTR HT
1/4"	85-1325	85-1425	85-1625
3/8"	85-1337	85-1437	85-1637
1/2"	85-1350	85-1450	85-1650
5/8"	85-1362	85-1462	85-1662
3/4"	85-1375	85-1475	85-1675

## REINFORCED RUBBER WASHERS

Made of 1/8" thick reinforced neoprene rubber. Ideal for thin panels, fenders, number plates, air cleaner lids and other items that need to be rubber mounted.



DESCRIPTION	PART#
1) 1" O.D., 1/4" hole (12-10 packs per card)	81-0150
1) 1" O.D., 1/4" hole (single 10 pack)	81-0151
2) 1 1/4" O.D., 5/16" hole (12-8 packs per card)	81-0160
2) 1 1/4" O.D., 5/16" hole (single 8 pack)	81-0161

## K&N AIR FILTER GASKETS

Gaskets are used between air filter base and mounting flange of carburetor. All gaskets are full sets and packed on display card.

DESCRIPTION	PART#	DESCRIPTION	PART#	DESCRIPTION	PART#
2 & 4 barrel w/ 5/8" neck (1/8" thick)	85-9988*	Weber DCFN 36,40,42,44	85-9447	Weber IDA 48 (2 barrel)	85-9471
Dellorto DHLA 40-48	85-9635	Weber DCOE 40-48 w/o airhorns	85-9635	Weber IDF 40,44,48,48MX	85-9776
Dellorto DRLA 45, 48	85-9783	Weber DCOE 45-48 w/airhorns	85-9681		
Holley 5200 w/EFC solenoid	85-9424	Weber DFB,DFD,DFE,DFV,DIF,DIR,DAR			
Solex 40 PII	85-9494	32/36; Autolite 32/36; Holley 5200,5210			
SU 1 1/2"	85-9715	32/36; Motorcraft 32/36	85-9424		
		Weber DGV,DGV5A,DGAV,DGEV,DPS 32/36	85-9541		

\*85-9988 gaskets are made of reinforced neoprene rubber. All other gaskets listed are AN890 Armstrong paper gasket material.

# FILTER WRAPS

## PRECHARGER®

The K&N PreCharger® is a specially designed filter wrap made to extend the service interval of your K&N Air Filter when used in very dusty conditions. They are made from durable polyester material containing uniform micron openings. The PreCharger® will stop small dirt particles; yet add little restriction to the airflow of the filter. The PreCharger® is designed to be run dry and can be cleaned with K&N Filter Cleaner. The PreCharger® is custom made to fit each application. Double stitched elastic openings assure that the PreCharger® will stay in place. The PreChargers® are available in a variety of colors.



## DRYCHARGER®

K&N DryChargers® are manufactured from a durable polyester material and are pre-treated with a proprietary hydrophobic process designed to prevent splashes of water or mud from saturating your K&N Air Filter. The DryCharger® will also stop small dirt particles; yet add little restriction to the airflow of the filter. Please be aware the DryCharger® is water repellent, not water proof. Depending on conditions and usage the water repellent treatment is good for 1 to 2 years.

PART DESCRIPTION	WHAT IT FITS:	PART#	WRAP DESC.	PART DESCRIPTION	WHAT IT FITS:	PART#	WRAP DESC.
<b>CUSTOM ASSEMBLIES</b>				<b>CUSTOM ASSEMBLIES continued</b>			
3 1/4" x 7 1/16"	E-4510	E-4510DK	DRY, BLK	14" XStream 5"	66-3030, 66-3070, 66-3090	22-1450PK	PRE, BLK
6" x 1 3/4"	6" x 1 3/4"	E-3211PR	PRE, RED			22-1450PR	PRE, RED
		E-3211PY	PRE, YLW	16" x 2"	16" x 2"	22-8002PK	PRE, BLK
6" x 3 1/4"	6" x 3 1/4"	E-3190PK	PRE, BLK	16" x 3"	16" x 3"	22-8003PK	PRE, BLK
7" x 2"	60-1010, 60-1030, 60-1050, 60-1320	E-3360PY	PRE, YLW	16" x 4"	60-1640	22-8004PK	PRE, BLK
7" x 3"	60-1020, 60-1040, 60-1330	E-3360PL	PRE, BLU	16" x 5"	16" x 5"	22-8005PK	PRE, BLK
		E-3380PK	PRE, BLK	16" x 6"	16" x 6"	22-8006PK	PRE, BLK
		E-3380PL	PRE, BLU	UMP Air Box	55-1000	E-3810DK	DRY, BLK
		E-3380PR	PRE, RED	<b>ROUND TAPERED</b>			
		E-3380PY	PRE, YLW	2"OD x 2 1/4"H	RC-0790PK	RC-0790PK	PRE, BLK
7" x 4"	7" x 4"	E-2510PK	PRE, BLK	2 1/4"OD x 2 1/2"H	RC-2540	RC-2540PK	PRE, BLK
9" x 2"	60-1070, 60-1110	E-3527PK	PRE, BLK	2 1/4"B x 2"T x 2 1/2"H		RC-2540PK	PRE, BLK
9" x 3"	60-1080, 60-1090, 60-1100, 60-1120, 60-1370	E-3530PK	PRE, BLK	2 1/2"B x 2"T x 2 1/4"H		RC-0790PK	PRE, BLK
		E-3530PL	PRE, BLU	3 1/2"B x 2"T x 4"H	R-1260, RC-1920	RC-1200PK	PRE, BLK
		E-3530PR	PRE, RED	3 3/4"B x 2"T x 5"HT		22-8029PK	PRE, BLK
9" x 5"	60-1365, 60-1366	E-3650PK	PRE, BLK	3"B x 2"T x 3"H	RC-2310, R-1060, R-1090, RC-1060, RC-1090, RU-2320, RC-2320, RC-2330, RU-2660, RC-2500	22-8028PK	PRE, BLK
		E-3650PL	PRE, BLU				
		E-3650PR	PRE, RED	3"B x 2"T x 4"H	R-1100	22-8048PK	PRE, BLK
9 1/4" x 3"	RK-3906, RK-3908, RK-3918	E-3016DK	DRY, BLK	4 1/2"B x 3 3/4" T x 6"HT		22-8051PK	PRE, BLK
11" x 2 3/16"	60-1130, 60-1150, 60-1170	22-8000PK	PRE, BLK	4 1/2"B x 3 3/4" T x 6"HT		22-8051PR	PRE, RED
11" x 3 1/2"	60-1230, 60-1140, 60-1180	E-1250PK	PRE, BLK	4 11/16"B x 3 1/2" T x 4 7/8" H	RC-9350, 69-8000, 69-7505	RC-9350DK	DRY, BLK
11" x 4"	60-1230, 60-1140, 60-1180	22-8001PK	PRE, BLK			RC-9350DR	DRY, RED
11" x 5"	60-1240, 60-1190, 60-1200	E-3680PK	PRE, BLK			RC-9350DY	DRY, YLW
11" x 6"	60-1250, 60-1210, 60-1220	E-3690PK	PRE, BLK			RC-9350DL	DRY, BLU
14" x 2 1/4"	60-1263	E-3740PK	PRE, BLK	4 5/8"B x 3 1/2" T x 7" H	RU-3130	RU-3130PK	PRE, BLK
14" x 3"	60-1280, 60-1430, 60-1264	E-1650PK	PRE, BLK			RU-3130PY	PRE, YLW
		E-1650PL	PRE, BLU	4"B x 2"T x 6"HT	RU-3120	22-8030PK	PRE, BLK
		E-1650PR	PRE, RED	5"B x 4 3/4" T x 8" H	RE-0910	RE-0910PK	PRE, BLK
		E-1650PY	PRE, YLW	5"B x 4" T x 7" H	RU-3130	22-8032PK	PRE, BLK
14" x 4"	60-1290, 60-1440, 60-1260, 60-1235	E-3750PK	PRE, BLK	5"B x 4" T x 7 7/8" H	57-1000, 57-1518, 57-1519, 57-1520, 63-1093, RC-4690	RC-4690DK	DRY, BLK
		E-3750PL	PRE, BLU			RC-4690DL	DRY, BLU
		E-3750PR	PRE, RED			RC-4690DR	DRY, RED
		E-3750PY	PRE, YLW			RC-4690DY	DRY, YLW
14" x 5"	60-1300, 60-1450, 60-1270, 60-1245	E-3760PK	PRE, BLK	5"OD x 5"H	RU-2430	RU-2430DK	PRE, BLK
		E-3760PL	PRE, BLU	5 1/4"OD x 6"H	RU-4160	RC-4160DK	DRY, BLK
		E-3760PR	PRE, RED	5 3/8"B x 4" T x 5 1/2" H	57-1515-1, 57-1531, 57-1535, 63-1063, 63-1081, RP-4660	RP-4660DK	DRY, BLK
		E-3760PY	PRE, YLW			RP-4660DL	DRY, BLU
14" x 6"	60-1310, 60-1460, 60-1255	E-3770PK	PRE, BLK			RP-4660DR	DRY, RED
		E-3770PL	PRE, BLU			RP-4660DY	DRY, YLW
		E-3770PR	PRE, RED	5 1/2"B x 4" T x 8" H	RF-1045, 57-1513-1, 57-1514-1, 57-9014-1, 57-9017	RF-1045DK	DRY, BLK
		E-3770PY	PRE, YLW			RF-1045DL	DRY, BLU
14" XStream 2 1/4"	66-3000	22-1422PK	PRE, BLK			RF-1045DR	DRY, RED
		22-1422PL	PRE, BLU			RF-1045DY	DRY, YLW
14" XStream 3"	66-3010, 66-3040, 66-3050	22-1430PK	PRE, BLK	5 1/2"B x 4 1/2" T x 6 1/2" H	57-1524, 69-1040, 69-1046, 69-3500, RC-4630	RC-4630DK	DRY, BLK
		22-1430PL	PRE, BLU			RC-4630DL	DRY, BLU
14" XStream 4"	66-3020, 66-3060, 66-3080	22-1440PK	PRE, BLK			RC-4630DR	DRY, RED
		22-1440PL	PRE, BLU				
		22-1440PR	PRE, RED				

PRE = PRECHARGER®, DRY = DRYCHARGER®, RED = RED, YLW = YELLOW, BLU = BLUE, BLK = BLACK



# FILTER WRAPS

PART DESCRIPTION	WHAT IT FITS:	PART #	WRAP DESC.
<b>ROUND TAPERED continued</b>			
5 3/4" B x 3 1/2" T x 6" H	RF-1035, 57-3017-2	<b>RF-1035DK</b> <b>RF-1035DL</b> <b>RF-1035DR</b>	DRY, BLK DRY, BLU DRY, RED
5 3/4" B x 4 1/2" T x 6" H	RF-1023, 57-3009	<b>RF-1023DK</b>	DRY, BLK
5 7/8" B x 5" T x 6" H	RU-3480	<b>RU-3480PK</b>	PRE, BLK
6" B x 4" T x 6 3/4" H	57-1526, 57-9015-1, 57-9019, 63-1043, RC-4700	<b>RC-4700DK</b> <b>RC-4700DL</b> <b>RC-4700DR</b> <b>RC-4700DY</b>	DRY, BLK DRY, BLU DRY, RED DRY, YEL
6" B x 4 1/2" T x 8" H	77-1529, RC-5106	<b>RC-5106DK</b> <b>RC-5106DL</b> <b>RC-5106DR</b>	DRY, BLK DRY, BLU DRY, RED
6" B x 4 1/2" T x 9" H	57-2542, 63-1067, 77-1533, 77-1538, 77-1539, RC-3690	<b>RC-3690DK</b> <b>RC-3690DL</b> <b>RC-3690DR</b> <b>RC-3690DY</b>	DRY, BLK DRY, BLU DRY, RED DRY, YLW
6" B x 5" T x 7" H	57-9020, 57-9021, 57-9022, 57-9023, 57-9024, 63-1055, 63-1072, 63-1076, RC-5100	<b>RC-5100DK</b> <b>RC-5100DL</b> <b>RC-5100DR</b>	DRY, BLK DRY, BLU DRY, RED
6" B x 4 1/2" T x 7" H	RF-1015, 57-3010-1	<b>RF-1015DK</b> <b>RF-1015DR</b>	DRY, BLK DRY, RED
6" B x 4 5/8" T x 12" H	RE-0800, RE-0860 RE-0820, RE-0880	<b>22-8034PK</b> <b>22-8035PK</b>	PRE, BLK PRE, BLK
6" B x 4 5/8" T x 6" H	RE-0930, RF-1023, RE-0950,	<b>22-8033PK</b>	PRE, BLK
6" B x 4 5/8" T x 9" H	RE-0810, RE-0920	<b>RE-0810PK</b>	PRE, BLK
6" B x 5" T x 5 9/16" H	57-1524, 69-1040, 69-3500, RX-4990	<b>RX-4990DR</b> <b>RX-4990DY</b>	DRY, RED DRY, YLW
6" B x 5" T x 6 1/2" H	RX-4730	<b>RX-4730DY</b>	DRY, YLW
6 1/2" B x 4 1/2" T x 6" H	RC-5060, 63-1047	<b>RC-5060DY</b>	DRY, YLW
6 1/2" B x 4 1/2" T x 7" H	RF-1032, RC-4680, 57-3026, 57-3027, 57-1509, 57-1511-1, 57-1517-1, 63-1042	<b>RF-1032DK</b> <b>RF-1032DL</b> <b>RF-1032DR</b> <b>RF-1032DY</b>	DRY, BLK DRY, BLU DRY, RED DRY, YLW
6 1/2" B x 4 1/2" T x 8" H	RF-1027, 57-1506-1, 57-1507	<b>RF-1027DK</b> <b>RF-1027DL</b> <b>RF-1027DR</b>	DRY, BLK DRY, BLU DRY, RED
6 1/2" B x 5" T x 6 1/2" H	RF-1037, 57-2535, 57-9016-1, 63-1052, 63-1057	<b>RF-1037DK</b> <b>RF-1037DL</b> <b>RF-1037DR</b>	DRY, BLK DRY, BLU DRY, RED
6 5/8" B x 5 1/4" T x 9 1/2" H	RC-4780, 57-1525, 57-2530 57-2531	<b>RC-4780DK</b> <b>RC-4780DL</b> <b>RC-4780DR</b> <b>RC-4780DY</b>	DRY, BLK DRY, BLU DRY, RED DRY, YLW
7 1/2" B x 4 1/2" T x 6 1/2" H	77-2500, RC-5107, 77-2550	<b>RC-5107DK</b> <b>RC-5107DL</b>	DRY, BLK DRY, BLU
7 1/2" B x 5 1/8" T x 7" H	RF-1029, 57-9013	<b>RF-1029DK</b> <b>RF-1029DL</b> <b>RF-1029DR</b> <b>RF-1029DY</b>	DRY, BLK DRY, BLU DRY, RED DRY, YLW
7 1/2" B x 5 7/8" T x 3" H	RF-1028	<b>RF-1028DL</b> <b>RF-1028DR</b> <b>RF-1028DY</b>	DRY, BLU DRY, RED DRY, YLW
7 1/2" B, 5 7/8" CR-T, 3" H	57-2500, 57-2517, RF-1028	<b>RF-1028DK</b> <b>RF-1028DL</b> <b>RF-1028DR</b> <b>RF-1028DY</b>	DRY, BLK DRY, BLU DRY, RED DRY, YLW
7 1/2" B x 5 7/8" T x 6 1/2" H	RF-1014, 57-2513-1, 57-2523-2	<b>RF-1014DK</b> <b>RF-1014DL</b> <b>RF-1014DR</b>	DRY, BLK DRY, BLU DRY, RED
7 1/2" B x 5 7/8" T x 8 1/2" H	RF-1020, 57-2514-4, 63-1059 63-1053	<b>RF-1020DK</b> <b>RF-1020DL</b> <b>RF-1020DR</b> <b>RF-1020DY</b>	DRY, BLK DRY, BLU DRY, RED DRY, YLW
7 1/2" B x 5" T x 4" H	RF-1009, 57-5001, 57-9001, 57-9006, 57-9008	<b>RF-1009DK</b> <b>RF-1009DL</b> <b>RF-1009DR</b>	DRY, BLK DRY, BLU DRY, RED

PART DESCRIPTION	WHAT IT FITS:	PART #	WRAP DESC.
<b>ROUND TAPERED continued</b>			
7 1/2" B x 5" T x 4" H	RF-1009, 57-9001, 57-9006, 57-9008, 57-5001	<b>22-8036PK</b>	PRE, BLK
7 1/2" B x 5" T x 4" H	RU-3100	<b>22-8037PK</b>	PRE, BLK
7 1/2" B x 5" T x 5" H	RC-2960	<b>22-8049PK</b>	PRE, BLK
7 1/2" B x 5" T x 6 1/2" H	RF-1042, 57-3023-1	<b>RF-1042DK</b> <b>RF-1042DL</b> <b>RF-1042DR</b> <b>RF-1042DY</b>	DRY, BLK DRY, BLU DRY, RED DRY, YLW
7 1/2" B x 5" T x 7 1/2" H	RF-1041, 57-3021-1, 57-3032 57-3030-1, 57-3031-1, 57-3033	<b>RF-1041DK</b> <b>RF-1041DL</b> <b>RF-1041DR</b> <b>RF-1041DY</b>	DRY, BLK DRY, BLU DRY, RED DRY, YLW
7 1/2" B x 5" T x 8" H	RF-1044, 57-2524-2, 57-2525-2	<b>RF-1044DK</b> <b>RF-1044DL</b> <b>RF-1044DR</b> <b>RF-1044DY</b>	DRY, BLK DRY, BLU DRY, RED DRY, YLW
7 1/2" B x 5" T x 8" H	RF-1017, 57-2510-1	<b>22-8050PK</b>	PRE, BLK
7 1/2" B x 5" T x 8" H	RU-3050	<b>22-8038PK</b>	PRE, BLK
7 1/2" B x 7" T x 11" H	RF-1026, 57-2516	<b>RF-1026DK</b> <b>RF-1026DL</b> <b>RF-1026DR</b> <b>RF-1026DY</b>	DRY, BLK DRY, YLW DRY, RED
7 1/2" B x 7" T x 8" H	RF-1017, 57-2510-1	<b>RF-1017DL</b> <b>RF-1017DY</b>	DRY, BLU DRY, YLW
7 3/8" B x 6 5/8" T x 7 7/8" H	RC-4900, 57-3034	<b>RC-4900DK</b> <b>RC-4900DL</b> <b>RC-4900DR</b> <b>RC-4900DY</b>	DRY, BLK DRY, BLU DRY, RED DRY, YLW
<b>ROUND STRAIGHT</b>			
3 1/4" OD x 7 1/16" HT	E-4510	<b>E-4510DK</b>	DRY, BLK
3 1/2" OD x 1 1/2" H	RC-0170, RC-0173, RC-2870, RC-2880	<b>RC-0170DK</b>	DRY, BLK
3 1/2" OD x 4" HT	RD-0450, RU-1400, RU-0500, RD-0600, RD-0700, RU-0600, RB-0500, RB-0600, RB-0700, RU-0800, RU-1700, RC-0500, RD-0500	<b>RU-0500PK</b>	PRE, BLK
3 1/2" OD x 5" HT	RU-0360, RU-1040, RD-0460, RU-1410, RU-0510, RA-0510, RU-1060, RU-1780, RD-0510, RB-0510, RB-0610, RB-0710, RD-0610, RU-1080, RU-1710, RU-0810, RD-0710, RU-0610	<b>RU-0510PL</b> <b>RU-0510PK</b> <b>RU-0510PR</b> <b>RU-0510PY</b>	PRE, BLU PRE, BLK PRE, RED PRE, YLW
3 1/2" OD x 6" HT	R-1050, RU-0150, RD-0470, RU-1420, RU-0520, RU-1070, RA-0520, RD-0520, RD-0620, RD-0720, RB-0520, RB-0620, RB-0720, RU-0620, RU-1090, RU-1720, RU-0820, RU-3030	<b>RU-0520PK</b>	PRE, BLK
3" OD x 2 1/2" vent filter	62-1380, 62-1390, 62-1430, 62-1440, 62-1450, 62-1460, 62-1470, 62-1480, 62-1490, 62-1050, 62-1060, 62-1070, 62-1080, 62-1140, 62-1150, 62-1160, 62-1170, RU-1880, RC-1880, RU-1130, RC-1130, RU-0150, RC-0150, RC-0160, RU-2760	<b>RU-0150PK</b>	PRE, BLK
3" OD x 3" HT	R-1040, RU-0060, RC-0870, RC-1120, RC-0890, RC-1890, RC-1910	<b>22-8008PK</b>	PRE, BLK
3" OD x 4" HT	RU-0070, RU-0100, RU-0160, RU-0400, RU-1280, RC-1280	<b>22-8009PK</b>	PRE, BLK
3" OD x 5" HT	RU-0080, RU-0110, RU-0210, RU-0410, RC-0410	<b>RU-0210PK</b>	PRE, BLK
3" OD x 6" HT	R-1030, RU-0420	<b>22-8010PK</b>	PRE, BLK
3 1/2" OD x 5 3/8" HT	Suzuki SU-4002	<b>SU-4002PK</b>	PRE, BLK

PRE = PRECHARGER®, DRY = DRYCHARGER®, RED = RED, YLW = YELLOW, BLU = BLUE, BLK = BLACK

# FILTER WRAPS

PART DESCRIPTION	WHAT IT FITS:	PART #	WRAP DESC.
<b>ROUND STRAIGHT continued</b>			
4 1/2"OD x 4"HT	RA-0530, RU-0630, RU-0830, RA-0600, RU-2650, RU-0900, RB-0900	<b>22-8012PK</b>	PRE, BLK
4 1/2"OD x 4"HT	RA-0530, RU-0630, RU-0830, RA-0600, RU-2650, RU-0900, RB-0900	<b>22-8012DK</b>	DRY, BLK
4 1/2"OD x 5"HT	RA-0540, RU-0640, RU-0840, RA-0610, RU-0910, RU-3710, RC-3710, RB-0910	<b>22-8013PK</b>	PRE, BLK
4 1/2"OD x 6"HT		<b>22-8043PK</b>	PRE, BLK
4"OD x 4"HT	RB-0800	<b>22-8011PK</b>	PRE, BLK
4"OD x 5"HT	RB-0810	<b>RU-1460PK</b>	PRE, BLK
4"OD x 6"HT	RU-1470, RU-3190, RU-1620	<b>RU-1470PK</b>	PRE, BLK
4"OD x 7"HT	RU-1480	<b>RU-1480PK</b>	PRE, BLK
5 1/2"OD x 3"HT	RU-0350, RA-0560, RA-056V, RU-0660, RU-0870, RA-0630, RA-063V, RU-0940, RC-0860, RU-2420, RU-1790	<b>22-8015PK</b>	PRE, BLK
5 1/2"OD x 5"HT	RA-0580, RA-058V, RU-0680, RA-0650, RU-0960	<b>22-8016PK</b>	PRE, BLK
5"OD x 3"HT		<b>22-8052PK</b>	PRE, BLK
5"OD x 4"HT	RU-3700	<b>22-8014PK</b>	PRE, BLK
5"OD x 5"HT		<b>RU-2430PK</b>	PRK, BLK
5"OD x 7"HT		<b>22-8044PK</b>	PRE, BLK
5 1/2"OD x 2 1/4"HT	E-4665	<b>E-4665DK</b>	DRY, BLK
6"B x 5"T x 6 1/2"H	57-2533, 57-2534, RX-4730	<b>RX-4730DY</b>	DRY, YLW
6"OD x 12"HT		<b>22-8046PK</b>	PRE, BLK
6"OD x 14HT		<b>22-8047PK</b>	PRE, BLK
6"OD x 2"HT	RA-0450, RA-045V	<b>22-8017PK</b>	PRE, BLK
6"OD x 3 1/2"HT	RA-0460, RA-046V	<b>22-8018PK</b>	PRE, BLK
6"OD x 3 1/2"HT	RU-1000	<b>22-8045PK</b>	PRE, BLK
7"OD x 2 1/2"HT	E-4521	<b>E-4521DK</b>	DRY, BLK
7"OD x 2 15/16"HT	E-4518	<b>E-4518DK</b>	DRY, BLK
7"OD x 3"HT	RU-0980, RA-0980, RA-098V, RC-3140, RA-0950, RA-095V	<b>RU-0980PK</b>	PRE, BLK
7"OD x 4"HT	RA-0990, RA-099V, RA-0960, RA-096V	<b>22-8019PK</b>	PRE, BLK
7"OD x 5"HT		<b>22-8020PK</b>	PRE, BLK
7"OD x 6"HT	RU-9004, RD-1450	<b>22-8021PK</b>	PRE, BLK
7"OD x 9"HT	41-1000, 41-1100, 41-1200, RC-3150, RD-1460	<b>22-8022PK</b>	PRE, BLK
<b>OVAL (all)</b>			
3 1/4" x 4 1/2" x 2"H		<b>22-8023PK</b>	PRE, BLK
3 3/4" x 4 1/2" x 6"H	RU-1150, RC-3680, RU-1230, RU-1380	<b>RU-1230PK</b>	PRE, BLK
3 3/4" x 4 1/2" x 7"H	RU-1390, RU-1830	<b>RU-1240PK</b>	PRE, BLK
3 3/4" x 4 1/2" x 9"H	RU-1260, RU-1840	<b>RU-1260PK</b>	PRE, BLK
4 1/2" x 7" x 2"H	RA-0720, RA-072V, RA-0770, RA-077V, RC-2860	<b>22-2000PL</b>	DRY, BLU
4 1/2" x 7" x 2"H	RC-1980, RA-0760, RA-076V, RC-2000, RC-5010	<b>E-3321PK</b> <b>E-3321PY</b>	PRE, BLK PRE, YLW
4 1/2" x 7" x 3 1/2"H	RC-2860, RC-3180	<b>E-3341PK</b> <b>E-3341PL</b> <b>E-3341PR</b>	PRE, BLK PRE, BLU PRE, RED
4 1/2" x 7" x 3"H	RA-0720, RA-072V, RA-0770, RA-077V, RC-2860	<b>22-2020PL</b>	DRY, BLU
4 1/2" x 7" x 4 1/2"H		<b>22-8024PK</b>	PRE, BLK
4 1/2" x 7" x 6"H		<b>22-8025PK</b>	PRE, BLK
5 1/2" x 12" x 3 1/2"H	E-3671	<b>E-3671PK</b> <b>E-3671PL</b> <b>E-3671PY</b>	PRE, BLK PRE, BLU PRE, YLW
5 1/2" x 12" x 6"H	E-3676	<b>22-8027PK</b>	PRE, BLK
5 1/2" x 7 3/4" x 5"H	RF-1001, 57-1500-1, 63-1046	<b>RF-1001DK</b>	DRY, BLK
5 1/2" x 9" x 2 1/2"H	RC-2840	<b>22-2840PL</b>	DRY, BLU

PART DESCRIPTION	WHAT IT FITS:	PART #	WRAP DESC.
<b>OVAL (all) continued</b>			
5 1/2" x 9" x 2"H	RC-2830	<b>E-3441PK</b> <b>E-3441PR</b> <b>E-3441PY</b>	PRE, BLK PRE, RED PRE, YLW
5 1/2" x 9" x 3 1/2"H	E-3461	<b>E-3461PL</b>	PRE, BLU
5 1/2" x 9" x 4 1/2"H		<b>22-8026PK</b>	PRE, BLK
5 1/2" x 9" x 6 1/2"H	RD-5000, RD-5010, RD-5020	<b>RD-5000PK</b> <b>RD-5000PR</b>	PRE, BLK PRE, RED
5 1/2" x 9" x 6 1/4"H	RD-3200, RD-3400, RD-3500, RD-3600, RD-3900, RD-4200, RD-4400	<b>RD-4200PK</b> <b>RD-4200PL</b> <b>RD-4200PR</b>	PRE, BLK PRE, BLU PRE, RED
5 1/2" x 9" x 6"H	E-3491	<b>E-3491PK</b> <b>E-3491PR</b>	PRE, BLK PRE, RED
5 3/4" x 9"B, 4 1/2" x 7"T, 7 1/2"H	RF-1034, 57-3016-1	<b>RF-1034DK</b> <b>RF-1034DY</b> <b>RF-1034DL</b> <b>RF-1034DR</b>	DRY, BLK DRY, YLW DRY, BLU DRY, RED
5" x 8 3/4"B, 4" x 6 1/4"T, 9"H	RF-1012, 57-2503, 63-1014	<b>RF-1012DK</b> <b>RF-1012DL</b> <b>RF-1012DR</b>	DRY, BLK DRY, BLU DRY, RED
6 1/4" x 3 3/4"B, 3 7/16" x 4 7/16"T, 6 3/4"H	RU-4710	<b>RU-4710PK</b>	PRE, BLK
6 1/4" x 3 3/4"B, 3 7/16" x 4 7/16"T, 5"H	RU-4720	<b>RU-4720PK</b>	PRE, BLK
6 1/4" x 9 1/4"B 4 1/2" x 7"T, 10"H	RF-1024, 57-3013-2	<b>RF-1024DK</b> <b>RF-1024DR</b>	DRY, BLK DRY, RED
<b>OVAL TAPERED</b>			
7 3/4" / 5 1/2" B x 4" / 6 1/4" T x 5"H	RF-1001	<b>RF-1001DL</b> <b>RF-1001DY</b>	DRY, BLU DRY, YLW
3 3/4" BD x 6 1/4" / 3 3/4" B x 4 1/2" / 3 1/2" T x 6 3/4" H		<b>RU-4710PK</b>	PRE, BLK
<b>OTHER</b>			
3"OD x 2 1/2" vent filter w/shield	62-1511, 62-1512, 62-1513, 62-1514, 62-1515, 62-1516, 62-1517, 62-1518, 62-1519, 62-1520	<b>22-8007PK</b>	PRE, BLK
4 1/2" B x 4" T x 6 1/2" H		<b>22-8031PK</b>	PRE, BLK
4 1/2" B x 4" T x 6 1/8" H	RX-3820, RX-3800	<b>RX-3820PK</b> <b>RX-3820PR</b>	PRE, BLK PRE, RED
4 1/2" B x 6" T x 6 1/8" H	RX-3810, RX-3700	<b>RX-3810PK</b>	PRE, RED
4 1/2" B x 6" T x 6 1/8" H	RX-3810, RX-3700	<b>RX-3810PR</b>	RX-3810
5 1/2" B x 5" T x 5 9/16" H	RX-4990, 57-1524, 69-1040, 69-3500	<b>RX-4990DK</b> <b>RX-4990DL</b>	DRY, BLK DRY, BLU
5 1/2" B x 5" T x 6 1/2" H	RX-4730, 57-1522, 57-1523, 57-2533, 57-2534, 69-6501, 69-6540, 69-8700	<b>RX-4730DK</b> <b>RX-4730DL</b>	DRY, BLK DRY, BLU
5 1/2" x 7 3/4", 5"H, OVAL	R57-1500-1, 57-5505, RF-1001	<b>RF-1001DR</b> <b>RF-1001DY</b>	DRY, RED DRY, YLW
4 1/2" x 6 3/4" H x 1 1/2" Rectangle Straight	E-3951	<b>22-8039PK</b>	PRE, BLK
4 1/2" x 6 3/4" x 2 1/2" H Rectangle Straight	E-3952	<b>22-8040PK</b>	PRE, BLK
4 1/2" x 6 3/4" x 3" H Rectangle Straight	E-3953	<b>22-8041PK</b>	PRE, BLK
5 7/8"OD x 3 1/4" H Unique	HA-2591	<b>HA-2591DK</b>	DRY, BLK

PRE = PRECHARGER®, DRY = DRYCHARGER®, RED = RED, YLW = YELLOW, BLU = BLUE, BLK = BLACK

# PRE-CLEANER WRAPS



Developed for only the dustiest of conditions, the K&N Pre-cleaner is a specially designed foam filter wrap made to extend the service interval of your K&N Air Filter. Made from large, open cell foam, the Pre-cleaner will trap dust and dirt, yet add only a small amount of restriction to the airflow of your filter.

- Custom made to fit specific applications
- Also sold in universal cut-to-fit sizes
- Red Pre-cleaners are designed to be used with foam filter oil (purchased locally), Pre-cleaners must be cleaned with K&N cleaner or soap and water

## ROUND STRAIGHT

DESCRIPTION	I.D.	HEIGHT	PART#
Pre-Cleaner-Red	4.5" (114 mm)	1.5" (38 mm)	25-0330
Pre-Cleaner-Red	3" (76 mm)	2.5" (64 mm)	25-1480
Pre-Cleaner-Red	3.75" (95 mm)	6" (152 mm)	25-1770
Pre-Cleaner-Red	14" (356 mm)	4" (102 mm)	25-3750
Pre-Cleaner-Red	14" (356 mm)	5" (127 mm)	25-3760
Pre-Cleaner-Red	14" (356 mm)	6" (152 mm)	25-3770
Pre-Cleaner-Charcoal-Dry	14" (356 mm)	4" (102 mm)	25-5500
Pre-Cleaner-Charcoal-Dry	14" (356 mm)	5" (127 mm)	25-5600
Pre-Cleaner-Charcoal-Dry	14" (356 mm)	6" (152 mm)	25-5700
Pre-Cleaner-Charcoal-Dry	16" (406 mm)	3" (76 mm)	25-5200
Pre-Cleaner-Charcoal-Dry	16" (406 mm)	4" (102 mm)	25-5300
Pre-Cleaner-Charcoal-Dry	16" (406 mm)	5" (127 mm)	25-5400



25-3770

## ROUND TAPERED

DESCRIPTION	BASE I.D.	TOP I.D.	HEIGHT	PART#
Pre-Cleaner-Yellow	3.125" (79 mm)	3" (76 mm)	3.375" (86 mm)	25-2588
Pre-Cleaner-Red	6" (152 mm)	5" (127 mm)	14" (356 mm)	25-0880
Pre-Cleaner-Red	6" (152 mm)	5" (127 mm)	9" (229 mm)	25-0810
Pre-Cleaner-Red	7" (178 mm)	4.5" (114 mm)	4.875" (124 mm)	25-6601
Pre-Cleaner-Charcoal-Dry	8" (203 mm)	6.625" (168 mm)	12" (305 mm)	25-5166



25-5166

## OVAL STRAIGHT

DESCRIPTION	INSIDE LENGTH	INSIDE WIDTH	HEIGHT	PART#
Pre-Cleaner-Red	4.5" (114 mm)	3.25" (83 mm)	1.5" (38 mm)	25-4250
Pre-Cleaner-Red	5.5" (140 mm)	4.25" (108 mm)	2" (51 mm)	25-1691
Pre-Cleaner-Red	7" (178 mm)	4.5" (114 mm)	3.25" (83 mm)	25-3340
Pre-Cleaner-Red	7" (178 mm)	4.5" (114 mm)	6" (152 mm)	25-3346
Pre-Cleaner-Red	9" (229 mm)	5.5" (140 mm)	3.25" (83 mm)	25-3460
Pre-Cleaner-Red	9" (229 mm)	5.5" (140 mm)	6" (152 mm)	25-3490
Pre-Cleaner-Red	20" (508 mm)	9" (229 mm)	3" (76 mm)	25-1963
Pre-Cleaner-Red	20" (508 mm)	9" (229 mm)	4.5" (114 mm)	25-1964
Pre-Cleaner-Red	20" (508 mm)	9" (229 mm)	6" (152 mm)	25-1966



25-1966

## OVAL TAPERED

DESCRIPTION	BASE" SIDE LENGTH	BASE" SIDE WIDTH	TOP" SIDE LENGTH	TOP" SIDE WIDTH	HEIGHT	PART#
Pre-Cleaner-Red	3.25" (83 mm)	4.5" (114 mm)	3" (76 mm)	2" (51 mm)	4" (102 mm)	25-2391

## UNIVERSAL

DESCRIPTION	WIDTH	LENGTH	PART#
Pre-Cleaner-Red	7" (178 mm)	48" (1219 mm)	25-3900
Pre-Cleaner-Red	18" (457 mm)	48" (1219 mm)	25-3918
Pre-Cleaner-Red	24" (610 mm)	48" (1219 mm)	25-3924
Pre-Cleaner-Red	30" (762 mm)	48" (1219 mm)	25-3930



25-3900

## Intake System Spare Filters and Wraps

Intake System	Spare Filter	Filter Wrap	Intake System	Spare Filter	Filter Wrap	Intake System	Spare Filter	Filter Wrap
57-1000	RC-4690	RC-4690DK	57-2500	RF-1028	RF-1028DK	57-2572	RC-5046	RC-5046DK
57-1001	RC-4630	RC-4630DK	57-2501	RF-1003		57-2573	RF-1048	RF-1048DK
57-1002	RU-4730	RX-4730DK	57-2502	RF-1004		57-2574	RF-1041	RF-1041DK
57-1003	RF-1032	RF-1032DK	57-2503	RF-1012	RF-1012DK	57-2575		
57-1500-1	RF-1001	RF-1024DK	57-2505-1	RF-1016	RC-5100DK	57-2576	RU-5172	RC-5139DK
57-1501	E-3742	E-1650PK	57-2507	RF-1025	RC-5106DK	57-3000	RC-5177	RC-5139DK
57-1502	E-1650	E-1650PK	57-2510-1	RF-1017	RF-1017DK	57-3009	RF-1023	RF-1023DK
57-1503-1	E-3740	E-3740PK	57-2511	RF-1014	RF-1014DK	57-3010-1	RF-1015	RF-1015DK
57-1506-2	RF-1027	RF-1027DK	57-2513-1	RF-1014	RF-1014DK	57-3011	RF-1021	
57-1507	RF-1027	RF-1027DK	57-2514-4	RF-1020	RF-1020DK	57-3012	RF-1018	
57-1508	RF-1033		57-2516	RF-1026	RF-1026DK	57-3013-2	RF-1024	RF-1024DK
57-1509-1	RC-4680	RF-1032DK	57-2517	RF-1003		57-3014	E-3750	E-3750PK
57-1511-2	RC-4680	RF-1032DK	57-2519-3	RF-1036	RF-1036DK	57-3016-1	RF-1040	RF-1034DK
57-1512	RF-1039	RC-4160DK	57-2523-2	RF-1048	RF-1048DK	57-3017-2	RF-1035	RF-1035DK
57-1513-1	RF-1045	RF-1045DK	57-2524-2	RF-1044	RF-1020DK	57-3020	RF-1038	
57-1514-1	RF-1045	RF-1045DK	57-2525-2	RF-1044	RF-1020DK	57-3021-1	RF-1041	RF-1041DK
57-1515-1	RP-4660	RP-4660DK	57-2526-2	RP-4740	RF-1023DK	57-3022-2	RF-1050	
57-1516	RC-5040	RC-5040DK	57-2527	RF-1048	RF-1048DK	57-3023-1	RF-1042	RF-1042DK
57-1517-2	RC-4680	RF-1032DK	57-2528	RF-1048	RF-1048DK	57-3024	RC-4650	RC-4650DK
57-1518	RC-4690	RC-4690DK	57-2529-1	RF-1048	RF-1048DK	57-3025-1	RC-4650	RC-4650DK
57-1519	RC-4690	RC-4690DK	57-2530	RC-4780	RC-4780DK	57-3026	RF-1032	RF-1032DK
57-1520	RC-4690	RC-4690DK	57-2531	RC-4780	RC-4780DK	57-3027	RF-1032	RF-1032DK
57-1521	RC-4630	RC-4630DK	57-2532	RC-4940	RC-5173DK	57-3028	E-1240	
57-1522	RX-4730	RX-4730DL	57-2533	RX-4730	RX-4730DL	57-3029	E-1230	
57-1523	RX-4730	RX-4730DL	57-2534	RX-4730	RX-4730DL	57-3030-1	RF-1041	RF-1041DK
57-1524	RX-4990	RX-4990DK	57-2535	RF-1037	RF-1037DK	57-3031-1	RF-1041	RF-1041DK
57-1525	RC-4780	RC-4780DK	57-2536	RF-1048	RF-1048DK	57-3032	RF-1041	RF-1041DK
57-1526	RC-4700	RC-4700DK	57-2537	RF-1048	RF-1048DK	57-3033	RF-1041	RF-1041DK
57-1527-1	RC-4680	RF-1032DK	57-2538	RF-1020	RF-1020DK	57-3034	RC-4900	RC-4900DK
57-1528	RC-5060	RC-5060DK	57-2539	RF-1048	RF-1048DK	57-3035	RP-5070	
57-1529	RF-1040	RF-1034DK	57-2540	RF-1037	RF-1037DK	57-3036	RC-4630	RC-4630DK
57-1530-1	RF-1020	RF-1020DK	57-2541	RC-5046	RC-5046DK	57-3037	RP-5103	RP-5103DK
57-1531	RP-4660	RP-4660DK	57-2542	RC-3690	RC-3690DK	57-3038	RF-1041	RF-1041DK
57-1532	RC-4780	RC-4780DK	57-2543	RF-1041	RF-1041DK	57-3039	RF-1040	RF-1034DK
57-1533	RF-1040	RF-1034DK	57-2544	RF-1041	RF-1041DK	57-3040	RF-1048	RF-1048DK
57-1534	RU-5141	RP-4660DK	57-2545	RC-5046	RC-5046DK	57-3041	RP-5105	
57-1535	RP-4660	RP-4660DK	57-2546-1	RC-5178		57-3042	RF-1048	RF-1048DK
57-1536	RX-2820	22-8044PK	57-2547	RP-5101	RU-5168DK	57-3043	RF-1048	RF-1048DK
57-1537	RF-1040	RF-1034DK	57-2548	RC-5046	RC-5046DK	57-3044	RF-1048	RF-1048DK
57-1538	RC-5138	22-8049DK	57-2549	RC-5046	RC-5046DK	57-3045	RF-1040	RF-1034DK
57-1539	RC-5138	22-8049DK	57-2550	RC-5046	RC-5046DK	57-3046	RP-5115	
57-1540	RF-1048	RF-1048DK	57-2551	RF-1020	RF-1020DK	57-3047	RC-4900	RC-4900DK
57-1541	RF-1024	RF-1024DK	57-2552	RF-1037	RF-1037DK	57-3048	RF-1032	RF-1032DK
57-1542	RF-1042	RF-1042DK	57-2553	RF-1041	RF-1041DK	57-3049	RF-1048	RF-1048DK
57-1543	RF-1048	RF-1048DK	57-2554	RF-1037	RF-1037DK	57-3050	RF-1041	RF-1041DK
57-1544	RF-1048	RF-1048DK	57-2555	RF-1041	RF-1041DK	57-3051	RF-1048	RF-1048DK
57-1545	RF-1048	RF-1048DK	57-2556	RF-1020	RF-1020DK	57-3052	RP-5135	RP-5135DK
57-1546	RF-1048	RF-1048DK	57-2557	RF-1020	RF-1020DK	57-3053	RF-1048	RF-1048DK
57-1547	RF-1048	RF-1048DK	57-2558	RC-5046	RC-5046DK	57-3054	RC-2960	22-8049DK
57-1548	RF-1048	RF-1048DK	57-2559	RX-4990	RX-4990DK	57-3055	RP-5115	
57-1549	RF-1048	RF-1048DK	57-2560	RX-4860	RX-4730DK	57-3056	RC-5149	RC-5149DK
57-1550	RP-4660	RP-4660DK	57-2561	RU-4990	RX-4990DK	57-3057	RC-5177	RC-5139DK
57-1551	RP-4660	RP-4660DK	57-2562	RC-4630	RC-4630DK	57-3058	RF-1042	RF-1042DK
57-1552	RU-4730	RX-4730DK	57-2563	RF-1041	RF-1041DK	57-3061	RF-1032	RF-1032DK
57-1553	RF-1048	RF-1048DK	57-2564	RF-1048	RF-1048DK	57-3062	RU-4730	RX-4730DK
57-1554	RF-1041	RF-1041DK	57-2565	RF-1048	RF-1048DK	57-3063	RF-1042	RF-1042DK
57-1555			57-2566	RF-1048	RF-1048DK	57-3066	RC-5177	RC-5139DK
57-1556			57-2567	RC-5046	RC-5046DK	57-3067		
57-1557	RC-5142	RC-5112DK	57-2568	RF-1020	RF-1020DK	57-3500	RF-1007	
57-1558			57-2569	RF-1041	RF-1041DK	57-3501	RF-1005	
57-1559			57-2570	RC-5046	RC-5046DK	57-3502	RC-2960	22-8049DK
57-1560			57-2571	RF-1048	RF-1048DK	57-3503	RF-1007	

Filter Wrap Suffix K = Black, L = Blue, R=Red, Y=Yellow

**Visit [knfilters.com](http://knfilters.com)® to see available colors**

## Intake System Spare Filters and Wraps

Intake System	Spare Filter	Filter Wrap	Intake System	Spare Filter	Filter Wrap	Intake System	Spare Filter	Filter Wrap
57-3504	RF-1008	RC-5106DK	63-1533	RF-1040	RF-1034DK	63-9022	RC-5100	RC-5100DK
57-3506	RF-1013	RF-1036DK	63-1534	RU-5121	RP-4660DK	63-9023	RC-5100	RC-5100DK
57-3509	RF-1030	RC-4630DK	63-1537	RF-1040	RF-1034DK	63-9025	RF-1042	RF-1042DK
57-3512	RC-4550	RF-1023DK	63-1544	RF-1048	RF-1048DK	63-9026	RF-1042	RF-1042DK
57-3513	RP-4970	22-8032PK	63-1545	RF-1048	RF-1048DK	63-9027	RF-1042	RF-1042DK
57-3514	RP-4980	RC-5149DK	63-1546	RF-1048	RF-1048DK	63-9028	RF-1042	RF-1042DK
57-3515	RC-4760	RC-5106DK	63-1548	RF-1048	RF-1048DK	63-9029	RF-1048	RF-1048DK
57-5001	RF-1009	RF-1009DK	63-1549	RF-1048	RF-1048DK	63-9030	RC-5046	RC-5046DK
57-5005	RF-1002		63-1550	RP-4660	RP-4660DK	63-9031-1	RF-1042	RF-1042DK
57-5500	RF-1022		63-1551	RP-4660	RP-4660DK	63-9032-1	RF-1041	RF-1041DK
57-5504-1	RF-1019		63-1552	RU-4730	RX-4730DK	63-9033	RF-1020	RF-1020DK
57-5505	RF-1001	RF-1024DK	63-1553	RF-1048	RF-1048DK	63-9034	RF-1044XD	RF-1020DR
57-6000	RC-2960	22-8049DK	63-1554	RF-1041	RF-1041DK	69-0015TR	RU-4870	RX-4730DK
57-6001	RF-1010		63-1555	RF-1042	RF-1042DK	69-0015TS	RU-4870	RX-4730DK
57-6002	RF-1011		63-1556	RF-1042	RF-1042DK	69-0017TS	RX-4730	RX-4730DL
57-6003	RC-2960	22-8049DK	63-1558	RF-1048	RF-1048DK	69-0021TB	RU-4870	RX-4730DK
57-6005	RX-4750	RF-1042DK	63-1559	RF-1048	RF-1048DK	69-0021TS	RU-4870	RX-4730DK
57-6010	RF-1037	RF-1037DK	63-1560	RU-3570	RX-4990DK	69-0025TP	RU-4870	RX-4730DK
57-6011	RF-1037	RF-1037DK	63-1561	RF-1044	RF-1020DK	69-0026TS	RC-4630XD	RC-4630DK
57-6012	RF-1044	RF-1020DK	63-1562			69-0500TS	RU-4950	RX-4990DK
57-6013	RF-1037	RF-1037DK	63-2556	RF-1020	RF-1020DK	69-0500TWR	RU-4950	RX-4990DK
57-6014	RF-1014	RF-1014DK	63-2565	RF-1048	RF-1048DK	69-0502TWR	RU-4860	RX-4730DK
57-6015			63-2566	RF-1048	RF-1048DK	69-1005TB	RC-4290	
57-6016			63-2571	RF-1048	RF-1048DK	69-1005TP	RC-4290	
57-7000	RP-4630	RC-4630DK	63-2573	RF-1048	RF-1048DK	69-1005TR	RC-4290	
57-7001			63-2574	RF-1041	RF-1041DK	69-1007TS	RU-4950	RX-4990DK
57-9000	RF-1002		63-2575	RC-5173	RC-5173DK	69-1008TB	RU-4950	RX-4990DK
57-9001	RF-1009	RF-1009DK	63-2577	RC-4381	RF-1036DK	69-1008TS	RU-4950	RX-4990DK
57-9004	RC-2960	22-8049DK	63-2578			69-1009TP	RU-4870	RX-4730DK
57-9005	RC-2960	22-8049DK	63-2579			69-1009TR	RU-4870	RX-4730DK
57-9006	RF-1009	RF-1009DK	63-2580			69-1009TWR	RU-4870	RX-4730DK
57-9008	RF-1009	RF-1009DK	63-3030	RF-1041	RF-1041DK	69-1010TP	RU-4870	RX-4730DK
57-9011	RC-4630	RC-4630DK	63-3031	RF-1041	RF-1041DK	69-1011TP	RU-4860	RX-4730DK
57-9012	RF-1037	RF-1037DK	63-3037	RP-5103	RP-5103DK	69-1013TS	RU-4960	RX-4990DK
57-9013	RF-1029	RF-1029DK	63-3052	RP-5135	RP-5135DK	69-1014TS	RU-5147	RU-5147DK
57-9014-1	RF-1045	RF-1045DK	63-3053	RF-1048	RF-1048DK	69-1015TB	RU-4960	RX-4990DK
57-9015-1	RC-4700	RC-4700DK	63-3056	RC-5149	RC-5149DK	69-1015TP	RU-4960	RX-4990DK
57-9016-1	RF-1037	RF-1037DK	63-3058	RF-1042	RF-1042DK	69-1016-1TS	RU-5163	RU-5163DK
57-9017	RF-1045	RF-1045DK	63-3059	RF-1048	RF-1048DK	69-1017TTK	RC-9630	RC-9350DK
57-9018	RP-4980	RC-5149DK	63-3060-1	RP-5161	RP-5135DK	69-1040TP	RU-4990	RX-4990DK
57-9019	RC-4700	RC-4700DK	63-3061	RF-1032	RF-1032DK	69-1040TWR	RU-4990	RX-4990DK
57-9020	RC-5100	RC-5100DK	63-3062	RU-4730	RX-4730DK	69-1203TP	RU-4950	RX-4990DK
57-9021	RC-5100	RC-5100DK	63-3064-1	RF-1048	RF-1048DK	69-1206TP	RU-4870	RX-4730DK
57-9024	RF-1029	RF-1029DK	63-3065	RF-1048	RF-1048DK	69-1207TP	RU-4960	RX-4990DK
57-9027	E-3034		63-3067	RF-1042	RF-1042DK	69-1207TR	RU-4960	RX-4990DK
63-1007-1	E-3750	E-3750PK	63-3068	RC-2960	22-8049DK	69-1208TS	RU-4950	RX-4990DK
63-1008	RF-1014	RF-1014DK	63-3069	E-1989	RX-3820PK	69-1209TS	RU-4870	RX-4730DK
63-1014	RF-1012	RF-1012DK	63-3070	RF-1042	RF-1042DK	69-1210TS	RC-4630	RC-4630DK
63-1016	RF-1030	RC-4630DK	63-3071	RC-5138	22-8049DK	69-1211TTK	RU-3570	RX-4990DK
63-1017	RF-1030	RC-4630DK	63-3072	RC-5138	22-8049DK	69-1302TP	RU-4870	RX-4730DK
63-1019	RC-4400		63-3073	RP-5161	RP-5135DK	69-1500TP	RC-9310	RC-9310DK
63-1043	RC-4700	RC-4700DK	63-3074	RF-1042	RF-1042DK	69-1500TWR	RC-9310	RC-9310DK
63-1050	RP-5070		63-3075	RF-1042	RF-1042DK	69-1502TP	RU-4950	RX-4990DK
63-1058	RC-5100	RC-5100DK	63-3076			69-1502TS	RU-4950	RX-4990DK
63-1094	RC-5138	22-8049DK	63-3513	RP-4970	22-8032PK	69-2001TS	RP-5113	RU-5147DK
63-1101	RX-4990	RX-4990DK	63-3514	RP-4980	RC-5149DK	69-2001TWK	RP-5113	RU-5147DK
63-1102	RC-5138	22-8049DK	63-3515	RC-4760	RC-5106DK	69-2003TFK	RU-5147	RU-5147DK
63-1106	RX-4860	RX-4730DK	63-6012	RF-1044	RF-1020DK	69-2004TTK	RU-4960	RX-4990DK
63-1108	RU-4990	RX-4990DK	63-6014	RF-1014	RF-1014DK	69-2005TTK	RC-5144	RC-4690DK
63-1114	RF-1042	RF-1042DK	63-6015	RC-4180	22-8033PK	69-2020TP	RC-9350	RC-9350DK
63-1117	RF-1048	RF-1048DK	63-6016			69-2020TR	RC-9350	RC-9350DK
63-1529	RF-1040	RF-1034DK	63-7001	RP-5167	RF-1037DK	69-2021TP	RU-4950	RX-4990DK

Filter Wrap Suffix K = Black, L = Blue, R = Red, Y = Yellow



## Intake System Spare Filters and Wraps

Intake System	Spare Filter	Filter Wrap	Intake System	Spare Filter	Filter Wrap	Intake System	Spare Filter	Filter Wrap
69-2021TR	RU-4950	RX-4990DK	69-5306TS	RU-4990	RX-4990DK	69-8003TFK	RP-5113	RU-5147DK
69-2022TS	RC-9630	RC-9350DK	69-6000TP	RU-4870	RX-4730DK	69-8004TTK	RP-5113	RU-5147DK
69-2520TP	RU-4950	RX-4990DK	69-6000TR	RU-4870	RX-4730DK	69-8005TWR	RP-5113	RU-5147DK
69-2520TR	RU-4950	RX-4990DK	69-6010TR	RU-4950	RX-4990DK	69-8250TS	RU-4990	RX-4990DK
69-2521TB	RU-4950	RX-4990DK	69-6010TS	RU-4950	RX-4990DK	69-8250TWR	RU-4990	RX-4990DK
69-2521TP	RU-4950	RX-4990DK	69-6011TS	RU-4960	RX-4990DK	69-8251TB	RC-9350	RC-9350DK
69-2526TP	RF-1042	RF-1042DK	69-6012TS	RU-4960	RX-4990DK	69-8251TS	RC-9350	RC-9350DK
69-2527TTR	RF-1048	RF-1048DK	69-6013TTK	RU-4960XD	RX-4990DK	69-8400TR	RU-4960	RX-4990DK
69-2541TB	RU-4950	RX-4990DK	69-6020TR	RU-4950	RX-4990DK	69-8400TS	RU-4960	RX-4990DK
69-2541TP	RU-4950	RX-4990DK	69-6020TS	RU-4950	RX-4990DK	69-8431TP	RU-4990	RX-4990DK
69-2542TS	RU-4860	RX-4730DK	69-6025TS	RU-4870	RX-4730DK	69-8432TS	RU-4990	RX-4990DK
69-2543TTK	RU-4730	RX-4730DK	69-6026TS	RU-4870	RX-4730DK	69-8433TTK	RP-5182	
69-3000TR	RC-9630	RC-9350DK	69-6027TTK	RU-4870	RX-4730DK	69-8520TR	RU-4870	RX-4730DK
69-3000TS	RC-9630	RC-9350DK	69-6028TTK			69-8520TS	RU-4870	RX-4730DK
69-3002TS	RC-9350	RC-9350DK	69-6030-1TFK	RU-5123		69-8522TS	RU-4870	RX-4730DK
69-3300TB	RU-4960	RX-4990DK	69-6501TB	RU-4730	RX-4730DK	69-8600TP	RU-4960	RX-4990DK
69-3300TP	RU-4960	RX-4990DK	69-6501TP	RU-4730	RX-4730DK	69-8600TR	RU-4960	RX-4990DK
69-3300TR	RU-4960	RX-4990DK	69-6502TR	RU-4730	RX-4730DK	69-8601TP	RU-4960	RX-4990DK
69-3300TS	RU-4960	RX-4990DK	69-6506TR	RU-4730	RX-4730DK	69-8601TR	RU-4960	RX-4990DK
69-3301TB	RU-4950	RX-4990DK	69-6506TS	RU-4730	RX-4730DK	69-8605TS	RU-4860	RX-4730DK
69-3301TP	RU-4950	RX-4990DK	69-6540TB	RU-4730	RX-4730DK	69-8606TB	RU-4950	RX-4990DK
69-3301TS	RU-4950	RX-4990DK	69-6540TP	RU-4730	RX-4730DK	69-8606TP	RU-4950	RX-4990DK
69-3302TB	RC-9310	RC-9310DK	69-6543TP	RP-4600	22-8036PK	69-8607TB	RU-4960	RX-4990DK
69-3302TP	RC-9310	RC-9310DK	69-6543TR	RP-4600	22-8036PK	69-8607TS	RU-4960	RX-4990DK
69-3302TS	RC-9310	RC-9310DK	69-6544TS	RU-4950	RX-4990DK	69-8608TFK	E-3038	
69-3500TB	RU-4990	RX-4990DK	69-6545T	RP-4600	22-8036PK	69-8609TTK	RU-4960	RX-4990DK
69-3500TP	RU-4990	RX-4990DK	69-6546TWR	RF-1047		69-8610TTK	RU-4990	RX-4990DK
69-3510TB	RU-4860	RX-4730DK	69-7000TP	RU-4960	RX-4990DK	69-8611TS	RU-4990	RX-4990DK
69-3510TP	RU-4860	RX-4730DK	69-7000TR	RU-4960	RX-4990DK	69-8612TFK	RU-5174	RX-4990DK
69-3511TP	RU-4960	RX-4990DK	69-7001TTK	RU-3700	22-8014PK	69-8613TS	RU-3570	RX-4990DK
69-3511TR	RU-4960	RX-4990DK	69-7002TTK	RC-2960	22-8049DK	69-8614TS	RU-4860	RX-4730DK
69-3512TP	RU-4950	RX-4990DK	69-7060TS	RU-4870	RX-4730DK	69-8615TS	RC-4630	RC-4630DK
69-3512TR	RU-4950	RX-4990DK	69-7061TS	RU-4990	RX-4990DK	69-8700TP	RU-4960	RX-4990DK
69-3513TTK	RU-4950	RX-4990DK	69-7062TTK	RU-4990	RX-4990DK	69-8701TP	RU-5176	RX-4990DK
69-3514TTK	RU-4960	RX-4990DK	69-7070TB	RU-4990	RX-4990DK	69-8702TP	RU-4990	RX-4990DK
69-3515TS	RU-5176	RX-4990DK	69-7070TP	RU-4990	RX-4990DK	69-8703TS	RT-4590	22-8049DK
69-3516TTK	RU-4960XD	RX-4990DK	69-7071TS	RU-4960	RX-4990DK	69-8750TR	RU-4870	RX-4730DK
69-3520TP	RU-5122	RC-5106DK	69-7075TS	RU-4600	22-8036PK	69-8750TS	RU-4870	RX-4730DK
69-3521TP	RF-1036	RF-1036DK	69-7076TS	RU-4600	22-8036PK	69-8751TP	RU-4960	RX-4990DK
69-3522TP	RF-1048	RF-1048DK	69-7077TTK	RC-9350	RC-9350DK	69-8751TR	RU-4960	RX-4990DK
69-3523KP	RF-1048	RF-1048DK	69-7078TS	RU-4960XD	RX-4990DK	69-8752TB	RU-4870	RX-4730DK
69-3524TP	RF-1036	RF-1036DK	69-7080-1TS	RU-4730	RX-4730DK	69-8752TR	RU-4870	RX-4730DK
69-3525TS	RC-4381	RF-1036DK	69-7081-1TS	RU-4960	RX-4990DK	69-8752TS	RU-4870	RX-4730DK
69-3526TP			69-7082TS	RU-4960	RX-4990DK	69-8753TR	RC-5144	RC-4690DK
69-3527TP			69-7200TP	RC-5138	22-8049DK	69-8753TS	RC-5144	RC-4690DK
69-4000TB	RU-4860	RX-4730DK	69-7201TP	RF-1048	RF-1048DK	69-8754TP	RU-4960	RX-4990DK
69-4000TS	RU-4860	RX-4730DK	69-7202-1TTK	RF-1023	RF-1023DK	69-8754TR	RU-4960	RX-4990DK
69-4002TB	RC-9310	RC-9310DK	69-7501TB	RC-9630	RC-9350DK	69-8756TB	RU-4950	RX-4990DK
69-4510TS	RU-4960	RX-4990DK	69-7501TS	RC-9630	RC-9350DK	69-8756TP	RU-4950	RX-4990DK
69-4515TS	RU-5147	RU-5147DK	69-7502TB	RC-5136	RC-9310DK	69-8757TTK	RU-4960	RX-4990DK
69-4516TS	RU-4990	RX-4990DK	69-7502TP	RC-5136	RC-9310DK	69-9000TS	RU-4730	RX-4730DK
69-4517TTK	RU-5147	RU-5147DK	69-7502TS	RC-5136	RC-9310DK	69-9501TB	RU-4960	RX-4990DK
69-4518TTK	RC-4470	RC-4700DK	69-7503TB	RC-9310	RC-9310DK	69-9501TP	RU-4960	RX-4990DK
69-4519TP	RF-1042	RF-1042DK	69-7503TS	RC-9310	RC-9310DK	69-9502TB	RP-5118	RC-3690DK
69-4520TP	RF-1042	RF-1042DK	69-7505TP	RC-9350	RC-9350DK	69-9502TP	RP-5118	RC-3690DK
69-4900TB	RC-9350	RC-9350DK	69-7505TR	RC-9350	RC-9350DK	69-9503TFK	RU-4960	RX-4990DK
69-4900TS	RC-9350	RC-9350DK	69-7505TS	RC-9350	RC-9350DK	69-9504TTK	RX-4730XD	RX-4730DL
69-5300TR	RU-4870	RX-4730DK	69-7800TB	RU-5090	RC-9310DK	69-9505T	RF-1047	
69-5300TS	RU-4870	RX-4730DK	69-7800TS	RU-5090	RC-9310DK	69-9750TS	RC-9630	RC-9350DK
69-5301TTK	RC-5138	22-8049DK	69-8001TS	RP-5113	RU-5147DK	69-9750TWR	RC-9630	RC-9350DK
69-5302TTK			69-8001TWR	RP-5113	RU-5147DK	69-9751TB	RC-9630	RC-9350DK
69-5305TP	RU-4870	RX-4730DK	69-8002TS	RP-5113	RU-5147DK	69-9751TS	RC-9630	RC-9350DK

Filter Wrap Suffix K = Black, L = Blue, R=Red, Y=Yellow

**Visit [knfilters.com](http://knfilters.com)® to see available colors**

## Intake System Spare Filters and Wraps

Intake System	Spare Filter	Filter Wrap	Intake System	Spare Filter	Filter Wrap	Intake System	Spare Filter	Filter Wrap
69-9752TB	RU-4960	RX-4990DK	77-6016KS	RC-4381	RF-1036DK			
69-9752TP	RU-4960	RX-4990DK	77-9015KP	RF-1042	RF-1042DK			
69-9754TS	RC-9350	RC-9350DK	77-9016KP	RF-1037	RF-1037DK			
69-9756TFK	RU-4960	RX-4990DK	77-9020KP	RC-2960	22-8049DK			
77-1513KP	RF-1045	RF-1045DK	77-9022KP	RF-1048	RF-1048DK			
77-1516KP	RU-4990	RX-4990DK	77-9023KP	RF-1048	RF-1048DK			
77-1526KP	RU-4870	RX-4730DK	77-9025KP	RF-1048	RF-1048DK			
77-1529KP	RC-5106	RC-5106DK	77-9026KP	RF-1042	RF-1042DK			
77-1533KP	RC-3690	RC-3690DK	77-9027KP	RF-1042	RF-1042DK			
77-1538KD	RC-3690	RC-3690DK	77-9028KP	RF-1042	RF-1042DK			
77-1538KP	RC-3690	RC-3690DK	77-9029KP	RF-1048	RF-1048DK			
77-1539KP	RC-3690	RC-3690DK	77-9030KP	RF-1048	RF-1048DK			
77-1540KP	RF-1048	RF-1048DK	77-9031-1KP	RF-1042	RF-1042DK			
77-1545KP	RF-1048	RF-1048DK	77-9032-1KP	RU-5045	RU-5045DK			
77-1546KP	RF-1048	RF-1048DK	77-9033KP	RF-1020	RF-1020DK			
77-1547KP	RF-1048	RF-1048DK	77-9034KP	RF-1044XD	RF-1020DR			
77-1548KP	RF-1048	RF-1048DK						
77-1549KP	RF-1048	RF-1048DK						
77-1553KP	RU-4730	RX-4730DK						
77-1554KP	RF-1041	RF-1041DK						
77-1558KP	RF-1048	RF-1048DK						
77-1559KP	RF-1048	RF-1048DK						
77-1561KP	RF-1044	RF-1020DK						
77-2514KP	RC-5046	RC-5046DK						
77-2527KP								
77-2528KP								
77-2529KP	RF-1048	RF-1048DK						
77-2550KP	RC-5107	RC-5107DK						
77-2552KP	RF-1037	RF-1037DK						
77-2556KP	RC-5046	RC-5046DK						
77-2557KP	RF-1020	RF-1020DK						
77-2561KP	RF-1048	RF-1048DK						
77-2568KP	RF-1020	RF-1020DK						
77-2569KP	RF-1041	RF-1041DK						
77-2570KTK	RC-5046	RC-5046DK						
77-2573KP	RF-1048	RF-1048DK						
77-2574KS	RF-1042	RF-1042DK						
77-2577KTK	RC-5173	RC-5173DK						
77-2578KS	RF-1048	RF-1048DK						
77-2579KTK								
77-2580KP								
77-3000KP	RF-1037	RF-1037DK						
77-3021KP	RC-5046	RC-5046DK						
77-3023KP	RC-5046	RC-5046DK						
77-3031KP	RC-5046	RC-5046DK						
77-3034KP	RC-5112	RC-5112DK						
77-3036KP	RU-4730	RX-4730DK						
77-3037KP	RF-1041	RF-1041DK						
77-3043KP	RF-1048	RF-1048DK						
77-3044KP	RF-1048	RF-1048DK						
77-3047KP	RC-5112	RC-5112DK						
77-3050KP	RF-1041	RF-1041DK						
77-3058KP	RF-1042	RF-1042DK						
77-3062KP	RU-4730	RX-4730DK						
77-3063KTK	RC-5165	RC-5165DK						
77-3064KTK	RC-5181	RF-1026DK						
77-3065KP	RF-1048	RF-1048DK						
77-3070KP	RF-1042	RF-1042DK						
77-3071KS	RC-5138	22-8049DK						
77-3515KP	RC-4470	RC-4700DK						
77-6012KP	RC-5046	RC-5046DK						
77-6014-1KP	RF-1014	RF-1014DK						

Filter Wrap Suffix K = Black, L = Blue, R=Red, Y=Yellow

# WARRANTIES AND GUARANTEES

## CONSUMER PROTECTION PLEDGE

We want to make sure that when you buy a K&N Lifetime Air Filter or Air Intake System, you can be confident your vehicle's warranty will not be impacted. We also want you to feel confident that even if you experience difficulties with a dealership repair department, we will step in and resolve the issue, so you won't have to. Therefore, we make the following Pledge:

***K&N pledges to our customers that they will not be taken advantage of and charged for a repair due to a dealership warranty denial blamed on the presence of a K&N product.***



A member of K&N's fully staffed customer service department



## HORSEPOWER GUARANTEE

Every intake system we design has been tested on a dynamometer and proven to increase horsepower. We measure horsepower at the wheels. The horsepower rating that may have been on the window sticker when your car was new is often a measurement of horsepower at the engine and there can be a loss of horsepower through the drive train by the time it reaches the wheels.

K&N hereby warrants and guarantees to the original retail purchaser of any K&N Air Intake System that the vehicle on which the air intake system is installed will gain an increase in horsepower, or K&N will refund the purchase price, including sales tax, to the retail purchaser, subject to the following terms and conditions:

- The K&N Air Intake System must have been properly installed on the vehicle in accordance with the included K&N instructions.
  - The system must be the correct part number for the vehicle upon which it was installed.
  - The vehicle must be in good running condition.
- The vehicle must undergo a dynamometer test both before and after the installation of the system, with no changes to the vehicle, except for the installation of the system. The dyno tests must be performed by the same testing facility and must be performed within 30 days of one another and within 60 days of the date of purchase. The test results or work order for each test must reflect the name and address of the vehicle owner or operator having the test performed; the year, make, model and mileage of the vehicle being tested; and the horsepower results from both tests.
  - If the dyno tests show that the vehicle did not gain an increase in horsepower, then the retail purchaser must return the complete air intake system to K&N in its original packaging, together with his or her proof of purchase, the ORIGINALS of the two dyno tests and a statement requesting a refund in accordance with our Horsepower Guarantee. Upon receipt of all of the foregoing, K&N will refund the full purchase price, including sales tax, to the original retail purchaser.
  - This guaranty does not apply to any other costs incurred by the purchaser, including, but not limited to, the dyno tests, parts and labor for the installation and removal of the air intake system, shipping costs, rental car, loss of use or incidental damages, if any, and K&N expressly disclaims any and all liability for same.



## ENGINE PROTECTION LIMITED WARRANTY

Unlike many companies, our warranty for O/E replacement air filters and intake systems does extend beyond the replacement of a defective K&N part. For the original purchaser of the product, our warranty covers any engine damage or related costs incurred as a direct result of the use of a properly installed and maintained K&N O/E replacement air filter or intake system on the specific vehicle for which the product was designed to be used by K&N. This includes reasonable vehicle repair costs, sensor replacements, car rental fees or other incidental expenses directly related to an engine problem caused by the failure of a K&N product. Furthermore, we warrant that using our product will not result in a vehicle warranty denial. K&N will not be responsible for any indirect, consequential, special, contingent, or other damages not listed above.

We will promptly reimburse the consumer for the cost of the repair if a service provider denies warranty coverage as a result of a K&N product or claims that a K&N product has caused harm to your engine or vehicle. In order to receive reimbursement, we require each of the following:

1. The consumer must provide a written statement or repair order from the dealership or service provider in which the dealership or service provider blames the problem or warranty denial on a K&N product;
2. The service provider or consumer must provide K&N with all allegedly damaged parts. Many states have laws that require a service provider to retain all parts replaced during a vehicle repair, unless given consent to dispose of the parts by the consumer. K&N will pay the shipping cost to recover these parts; and
3. The consumer must provide proof of purchase of the K&N product along with cooperation in helping us investigate the claim.

Once these steps have been completed, K&N will contact the service provider and collect evidence to support their claim. In the event we are not provided with sufficient evidence, we reserve the right to reject the claim and will use our best efforts to assist in establishing your rights toward the service provider under warranty or other provisions.

We strive to exceed consumer expectations. Customer service can be reached at 1-800-858-3333.

# WARRANTIES AND GUARANTEES

## **K&N MILLION MILE LIMITED WARRANTY®**

K&N O/E Replacement Air Filters and Air Intake Systems purchased from Authorized Dealers are backed by the K&N Million Mile Limited Warranty® when used primarily on paved roads and on vehicles for which they were designed. If one of these products ever fails to provide complete satisfaction, K&N will replace it.

### **WHAT IS NOT COVERED BY OUR WARRANTY**

Any K&N product used for 1: any type of racing or competition; 2: any off-road use, custom or modified applications; 3: any off-road or dual sport motorcycle/ATV use; or 4: any illegal highway use, marine, or industrial applications. All K&N Air Filters not covered by our million mile warranty are warranted against defective materials or workmanship for one year from date of purchase with no mileage limitation. This includes K&N Air Filters sold for ATV's and off-highway or dual-purpose motorcycles.

### **INCORRECT CLEANING OR USE VOIDS WARRANTY**

K&N Air Filters should be cleaned every 50,000 miles for normal highway use, more often in dusty conditions. Cleaning should be done with K&N cleaner and air filter oil (or comparable air filter cleaner and oil). Use of compressed air, or chemicals not specifically designed to clean and re-oil cotton air filters (i.e. gasoline, transmission fluid, motor oil, lightweight oil, or diesel fuel) will void the warranty. Any damaged, abused or modified K&N Air Filters will not be warranted.

### **REPLACEMENT**

Any K&N product returned to K&N will need a Return Goods Authorization number and must be sent at customers' expense along with proof of purchase. Call 1-800-858-3333 or contact K&N by email or mail.

### **PRODUCT REGISTRATION**

Register your warranty at our web site and you'll be eligible for special promotions and product upgrade opportunities.

### **EXTENT OF WARRANTY**

Any defective K&N Air Filter properly returned to K&N will be replaced. K&N reserves the right to determine whether the terms of the warranty, set out above, have been properly complied with. In the event that the terms are not complied with, K&N shall be under no obligation to honor this warranty. K&N will not be responsible for any indirect, consequential, special, contingent, or other damages.



## **COMMERCIAL GRADE DIESEL AIR FILTER WARRANTY**

K&N commercial grade air filters have a 3-year or 300,000-mile limited warranty. They are meant to be washed and reused multiple times before needing to be replaced.

## **K&N OIL FILTER WARRANTY**

K&N oil filters are warranted to be free from defects in material and workmanship. Any filter proven defective during the engine or equipment manufacturer's recommended service intervals will be replaced at no charge.

In the event of an engine or equipment failure directly caused by a defective K&N oil filter, which was properly installed and changed following the engine or equipment manufacturer's recommended service intervals, K&N Engineering, Inc. will repair the damaged engine or equipment.

Claims for engine or equipment repairs provided under this warranty must be submitted within 30 days after discovery of damage. K&N Engineering, Inc. reserves the right to examine the engine or equipment and filter to determine the amount of damage and whether it was caused by a defective K&N oil filter.

This warranty gives you specific legal rights. You may have other rights which vary from state to state.

Engine and equipment manufacturer's warranties remain in effect when K&N oil filters are used.



## **EMISSIONS STANDARDS AND SMOG TEST REQUIREMENTS**

K&N offers more 50-state street legal automotive intake systems than any other company. Check the status of the part number for your vehicle in this catalog or on our website and check whether it has a CARB E.O. CARB stands for California Air Resources Board. An intake system for a vehicle that does not have a CARB E.O. is still street legal in most states. CARB E.O. status impacts California and a few other states that have similar emission control standards. So if you don't live in California or other states that have emission standards, read no further.

In order for an intake system to be legal in California and states with emission standards, the part must receive an exemption in the form of an E.O. number from CARB which is only valid for a specific vehicle and the E.O. must be in or attached to the vehicle. That means a part number can be CARB exempt for some vehicle applications and not others. There is no such thing as "CARB pending". A particular part number on a particular vehicle is either exempt or not. An intake system that does not have a CARB E.O. is not legal for highway use in California and a few other states and will not pass a state regulated emissions test solely due to the absence of an E.O. number. If you still have questions about the legality of a K&N part number on your vehicle, please visit our website or contact customer service at 1-800-858-3333. You can also determine whether CARB exemption is required for a part on your vehicle to be legal in your state by checking with your local or state motor vehicle or emissions agency.



**K&N DYNAMOMETER TESTING**

K&N operates three dynamometer testing facilities located in California, the United Kingdom and The Netherlands. Some individual intake systems we develop require as many as 200 dyno runs before being released for sale. During the year we perform literally thousands of dyno runs and our test center in California is sometimes used by magazines or third parties as a result of our reputation for performing credible and consistent results. We perform our dyno tests with the hood open and use fans to simulate temperatures that would be experienced when a vehicle is in motion. We believe this is essential as you can imagine the difference in temperature between a car in motion and one sitting stationary soaking in its accumulating engine heat.



K&N has noticed that horsepower values will vary from day-to-day, while testing the same vehicle, due to the manner in which the vehicle's on-board computer adjusts for varying climate conditions. In other words, if a vehicle is tested at sea level on a sunny and warm day, the dyno will apply a correction factor to adjust the conditions to a standard temperature and pressure (STP) and the vehicle's on-board computer will also apply certain set of operating parameters. If that same vehicle is tested at a high altitude, on a rainy and cold day, the dyno will again adjust to STP while the vehicle may adjust to a different correction factor than it did on the sea level test. Furthermore, some vehicles have required almost a 100 miles be logged on the vehicle in order to allow the on-board computer to reset itself to obtain accurate power readings.

**ESTIMATED HORSEPOWER GAINS  
ACTUAL RESULTS WILL VARY**

Our horsepower and torque testing is performed on a wheel-based dynamometer (dyno), which measures acceleration converted to brake horsepower and torque at the wheels. This is different and we believe more realistic than horsepower and torque testing done at the flywheel of an engine because there is power lost between the engine and the wheels.

Our standard horsepower and torque testing is designed to estimate the relative power differences on a specific or similar vehicle with different products installed. We attempt to hold test variables constant to generate a reliable estimate of changes in horsepower and torque on a vehicle before and after a K&N product is installed.

Some of our estimated horsepower gains are based on stock vehicle power gain charts which show actual dyno run graphs. These dyno charts show specific runs of a specific vehicle for a specific K&N product. We usually test more than one vehicle, and perform multiple runs with and without the K&N product installed. The year, make, model, and engine type of the vehicle tested is shown on each chart. The ambient temperature and atmospheric pressure at the time of the run is printed on the chart along with the correction factor. The correction factor used by the dyno to calculate the horsepower and torque is relative to standard conditions. This correction factor helps improve the consistency of our power measurements and improves the likelihood that gains shown are not significantly affected by changes in environmental conditions.

Some of our estimated horsepower gains are based on dyno tests of similar vehicles or vehicles from an earlier year that we believe experienced power gains that would be similar to the vehicle listed. In the event we are relying on a dyno test of a similar or different year vehicle, we base our judgment on such features as the use of a similar engine platform or family coupled with the use of a similar drivetrain or chassis platform. There are occasions when a specific vehicle will experience a much larger or much smaller power gain than another identical or similar vehicle model. By visiting our web site, a consumer can see which specific vehicle dyno test is being used to support an individual estimated horsepower gain allowing the consumer to consider the similarity for themselves.



Our estimated horsepower gains are a sincere attempt to provide a consumer with information they will find useful even though actual horsepower gains will vary due to the many variables that effect vehicle power including inconsistencies in manufacturing; vehicle age, mileage and condition; fuel octane levels; tire pressure; tie down strap tension; and even atmospheric and weather conditions. Our products are designed to provide increased performance and we are confident you will enjoy your K&N experience.





# HIGH-FLOW INTAKE SYSTEMS

## Tubes and Finishes

### HIGH DENSITY POLYETHYLENE (HDPE) TUBES

Part numbers starting with: 57, 63

Intake systems starting with 57 or 63 usually incorporate molded High Density Polyethylene Tubes that are black in color. They are built for many different vehicles and represent a dramatic improvement over a K&N OE replacement filter alone. The use of these non-metallic rotationally molded tubes allows us to precisely shape the tube to reduce turbulence and accelerate airflow into the engine. This massive amount of air flowing into the engine translates to more power. These systems offer us the most flexibility in design and the best possible horsepower numbers. Part numbers starting with 57 are usually 50-state street legal, while those starting with 63 are not legal for use in California and other states adopting California emissions standards.



### ALUMINUM TUBES

Part numbers starting with: 69, 77

Our intake systems featuring aluminum tubes are free-flowing, mandrel-bent systems designed to fit many vehicles. Each system is proven on a chassis dynamometer to increase horsepower and torque. Available in an assortment of finishes, these systems are built for performance and show.



**WRINKLE RED**

Part numbers end with: TWR

**WRINKLE BLACK**

Part numbers end with: TWK

**POLISHED**

Part numbers end with: TP, P

### Tube Finish Codes

The following codes are located at the end of the intake systems' part number.

- KTK= Textured Black
- KP= Bright
- KS= Silver
- TFK= Flat Black
- TWK= Wrinkle Black
- TWR= Wrinkle Red
- TB= Blue
- TP= Polished
- TR= Red
- TS= Silver
- TTK= Textured Black



**BRIGHT**

Part numbers end with: KP



**TEXTURED BLACK**

Part numbers end with: TTK, KTK



**BLUE**

Part numbers end with: TB

### STREET LEGAL IN MOST STATES

SOME OF THESE INTAKE SYSTEMS ARE NOT LEGAL FOR USE ON CERTAIN VEHICLES IN CALIFORNIA, OR OTHER STATES ADOPTING CA EMISSION STANDARDS.

See our catalog or knfilters.com for CARB status on each part for a specific vehicle



**FLAT BLACK**

Part numbers end with: TFK



**RED**

Part numbers end with: TR



**SILVER**

Part numbers end with: TS, KS

Horsepower estimates based on specific or similar vehicle dynamometer tests. Results will vary. For more information, look up vehicle and/or testing protocols at knfilters.com

# Intake Systems

# ACURA

Vehicle	Engine Type	Intake Kit	Estimated Horsepower*	Vehicle	Engine Type	Intake Kit	Estimated Horsepower*
<b>2010 ACURA</b>				<b>2002 ACURA</b>			
TL	3.5L V6 F/I	69-1210TS <sup>2</sup>	10.2 @ 5217	EL	1.7L L4 F/I	69-1008TS <sup>2</sup>	5.0 @ 5200
TSX	2.4L L4 F/I	69-0026TS <sup>2</sup>	7.9 @ 5400			69-1008TB <sup>2</sup>	5.0 @ 5200
<b>2009 ACURA</b>				RSX	2.0L L4 F/I	69-0015TR <sup>1</sup>	2.8 @ 6500
TL	3.5L V6 F/I	69-1210TS <sup>2</sup>	10.2 @ 5217			69-0015TS <sup>1</sup>	2.8 @ 6500
TSX	2.4L L4 F/I	69-0026TS <sup>2</sup>	7.9 @ 5400	RSX Type-S	2.0L L4 F/I	69-1009TWR <sup>1</sup>	10.5 @ 7014
<b>2008 ACURA</b>						69-1009TR <sup>1</sup>	10.5 @ 7014
RDX	2.3L L4 F/I	69-0017TS <sup>2</sup>	8.8 @ 5047			69-1009TP <sup>1</sup>	10.5 @ 7014
TL	3.2L V6 F/I	69-0021TS <sup>2</sup>	6.8 @ 5501	<b>2001 ACURA</b>			
		69-0021TB <sup>2</sup>	6.8 @ 5501	EL	1.7L L4 F/I	69-1008TS <sup>2</sup>	5.0 @ 5200
TL	3.5L V6 F/I	69-1210TS <sup>2</sup>	10.2 @ 5217			69-1008TB <sup>2</sup>	5.0 @ 5200
TSX	2.4L L4 F/I	69-0025TP <sup>2</sup>	4.2 @ 5300	Integra GS-R	1.8L L4 F/I	57-3509 <sup>1</sup>	5.5 @ 7200
<b>2007 ACURA</b>				<b>2000 ACURA</b>			
RDX	2.3L L4 F/I	69-0017TS <sup>2</sup>	8.8 @ 5047	Integra GS-R	1.8L L4 F/I	57-3509 <sup>1</sup>	5.5 @ 7200
TL	3.2L V6 F/I	69-0021TS <sup>2</sup>	6.8 @ 5501	<b>1999 ACURA</b>			
		69-0021TB <sup>2</sup>	6.8 @ 5501	Integra GS-R	1.8L L4 F/I	57-3509 <sup>1</sup>	5.5 @ 7200
TL	3.5L V6 F/I	69-1210TS <sup>2</sup>	10.2 @ 5217	<b>1998 ACURA</b>			
TSX	2.4L L4 F/I	69-0025TP <sup>2</sup>	4.2 @ 5300	Integra GS-R	1.8L L4 F/I	57-3509 <sup>1</sup>	5.5 @ 7200
<b>2006 ACURA</b>				<b>1997 ACURA</b>			
RSX	2.0L L4 F/I	69-0015TR <sup>2</sup>	2.8 @ 6500	Integra GS-R	1.8L L4 F/I	57-3509 <sup>1</sup>	5.5 @ 7200
		69-0015TS <sup>2</sup>	2.8 @ 6500	<b>1996 ACURA</b>			
RSX Type-S	2.0L L4 F/I	69-1009TWR <sup>2</sup>	10.5 @ 7014	Integra GS-R	1.8L L4 F/I	57-3509 <sup>1</sup>	5.5 @ 7200
		69-1009TR <sup>2</sup>	10.5 @ 7014	<b>1995 ACURA</b>			
		69-1009TP <sup>2</sup>	10.5 @ 7014	Integra	1.8L L4 F/I	57-3506 <sup>1</sup>	6.1 @ 6300
TL	3.2L V6 F/I	69-0021TB <sup>1</sup>	6.8 @ 5501	Integra GS-R	1.8L L4 F/I	57-3509 <sup>1</sup>	5.5 @ 7200
		69-0021TS <sup>1</sup>	6.8 @ 5501	<b>1994 ACURA</b>			
TSX	2.4L L4 F/I	69-0025TP <sup>1</sup>	4.2 @ 5300	Integra	1.8L L4 F/I	57-3506 <sup>1</sup>	6.1 @ 6300
<b>2005 ACURA</b>				Integra GS-R	1.8L L4 F/I	57-3509 <sup>1</sup>	5.5 @ 7200
EL	1.7L L4 F/I	69-1008TS <sup>2</sup>	5.0 @ 5200	NSX	3.0L V6 F/I	57-3502 <sup>1</sup>	
		69-1008TB <sup>2</sup>	5.0 @ 5200	<b>1993 ACURA</b>			
RSX	2.0L L4 F/I	69-0015TS <sup>1</sup>	2.8 @ 6500	Integra	1.8L L4 F/I	57-3501 <sup>1</sup>	
		69-0015TR <sup>1</sup>	2.8 @ 6500	Integra GS-R	1.7L L4 F/I	57-3501 <sup>1</sup>	
RSX Type-S	2.0L L4 F/I	69-1009TR <sup>2</sup>	10.5 @ 7014	NSX	3.0L V6 F/I	57-3502 <sup>1</sup>	
		69-1009TP <sup>2</sup>	10.5 @ 7014	<b>1992 ACURA</b>			
		69-1009TWR <sup>2</sup>	10.5 @ 7014	Integra	1.8L L4 F/I	57-3501 <sup>1</sup>	
TL	3.2L V6 F/I	69-0021TS <sup>1</sup>	6.8 @ 5501	Integra GS-R	1.7L L4 F/I	57-3501 <sup>1</sup>	
		69-0021TB <sup>1</sup>	6.8 @ 5501	NSX	3.0L V6 F/I	57-3502 <sup>1</sup>	
TSX	2.4L L4 F/I	69-0025TP <sup>1</sup>	4.2 @ 5300	<b>1991 ACURA</b>			
<b>2004 ACURA</b>				Integra	1.8L L4 F/I	57-3501 <sup>1</sup>	
EL	1.7L L4 F/I	69-1008TS <sup>2</sup>	5.0 @ 5200	NSX	3.0L V6 F/I	57-3502 <sup>1</sup>	
		69-1008TB <sup>2</sup>	5.0 @ 5200	<b>1990 ACURA</b>			
RSX	2.0L L4 F/I	69-0015TS <sup>1</sup>	2.8 @ 6500	Integra	1.8L L4 F/I	57-3501 <sup>1</sup>	
		69-0015TR <sup>1</sup>	2.8 @ 6500	<b>1989 ACURA</b>			
RSX Type-S	2.0L L4 F/I	69-1009TWR <sup>1</sup>	10.5 @ 7014	Integra	1.6L L4 F/I	57-3500 <sup>1</sup>	
		69-1009TP <sup>1</sup>	10.5 @ 7014	<b>1988 ACURA</b>			
		69-1009TR <sup>1</sup>	10.5 @ 7014	Integra	1.6L L4 F/I	57-3500 <sup>1</sup>	
TL	3.2L V6 F/I	69-0021TS <sup>1</sup>	6.8 @ 5501	<b>1987 ACURA</b>			
		69-0021TB <sup>1</sup>	6.8 @ 5501	Integra	1.6L L4 F/I	57-3500 <sup>1</sup>	
TSX	2.4L L4 F/I	69-0025TP <sup>1</sup>	4.2 @ 5300	<b>2008 ALFA ROMEO</b>			
<b>2003 ACURA</b>				147	1.6L L4 F/I	69-0500TWR <sup>2</sup>	
EL	1.7L L4 F/I	69-1008TS <sup>2</sup>	5.0 @ 5200	147	2.0L L4 F/I	69-0500TWR <sup>2</sup>	
		69-1008TB <sup>2</sup>	5.0 @ 5200	<b>2007 ALFA ROMEO</b>			
RSX	2.0L L4 F/I	69-0015TR <sup>1</sup>	2.8 @ 6500	147	1.6L L4 F/I	69-0500TWR <sup>2</sup>	
		69-0015TS <sup>1</sup>	2.8 @ 6500				
RSX Type-S	2.0L L4 F/I	69-1009TR <sup>1</sup>	10.5 @ 7014				
		69-1009TP <sup>1</sup>	10.5 @ 7014				
		69-1009TWR <sup>1</sup>	10.5 @ 7014				

1) Street legal in all US states. 2) Street legal in most states, but not legal for use in California or other states with similar emission control regulations.

\* Estimated horsepower gains are based on specific or similar vehicle dyno tests. Results will vary. See Page 81 for more information.  
 Partial Listing - Complete List of Vehicles and Applications at knfilters.com. See page 82 for information on intake tube materials/colors.



# ALFA ROMEO

# Intake Systems

Vehicle	Engine Type	Intake Kit	Estimated Horsepower*	Vehicle	Engine Type	Intake Kit	Estimated Horsepower*
<b>2007 ALFA ROMEO</b>				<b>2011 AUDI</b>			
147	2.0L L4 F/I	69-0500TWR <sup>2</sup> 69-0500TS <sup>2</sup>		A3	2.0L L4 DSL	69-9756TFK <sup>2</sup>	
<b>2006 ALFA ROMEO</b>				A3	2.0L L4 F/I - 211BHP	69-9756TFK <sup>2</sup>	
147	1.6L L4 F/I	69-0500TWR <sup>2</sup>		A3	2.0L L4 F/I - US	69-9504TTK <sup>2</sup>	9.2 @ 4853
147	2.0L L4 F/I	69-0500TWR <sup>2</sup> 69-0500TS <sup>2</sup>		<b>2010 AUDI</b>			
<b>2005 ALFA ROMEO</b>				A3	1.6L L4 DSL	69-9756TFK <sup>2</sup>	
147	1.6L L4 F/I	69-0500TWR <sup>2</sup> 69-0500TS <sup>2</sup>		A3	1.8L L4 F/I	69-9756TFK <sup>2</sup>	
147	2.0L L4 F/I	69-0500TS <sup>2</sup> 69-0500TWR <sup>2</sup>		A3	1.9L L4 DSL	69-9756TFK <sup>2</sup>	
<b>2004 ALFA ROMEO</b>				A3	2.0L L4 DSL	69-9756TFK <sup>2</sup>	
147	1.6L L4 F/I	69-0500TWR <sup>2</sup> 69-0500TS <sup>2</sup>		A3	2.0L L4 F/I - Non-US	69-9756TFK <sup>2</sup>	
147	2.0L L4 F/I	69-0500TWR <sup>2</sup> 69-0500TS <sup>2</sup>		A3	2.0L L4 F/I - US	69-9504TTK <sup>2</sup>	9.2 @ 4853
<b>2003 ALFA ROMEO</b>				A3	2.0L L4 F/I	69-9505T <sup>2</sup>	18.1 @ 4435
147	1.6L L4 F/I	69-0500TS <sup>2</sup> 69-0500TWR <sup>2</sup>		A4	2.0L L4 F/I	69-9505T <sup>2</sup>	18.1 @ 4435
147	2.0L L4 F/I	69-0500TS <sup>2</sup> 69-0500TWR <sup>2</sup>		A4 Cabriolet	2.0L L4 F/I	69-9505T <sup>2</sup>	18.1 @ 4435
156	1.6L L4 F/I	69-0502TWR <sup>2</sup>		<b>2009 AUDI</b>			
156	1.8L L4 F/I	69-0502TWR <sup>2</sup>		A3	1.6L L4 DSL	69-9756TFK <sup>2</sup>	
<b>2002 ALFA ROMEO</b>				A3	1.8L L4 F/I	69-9756TFK <sup>2</sup>	
147	1.6L L4 F/I	69-0500TS <sup>2</sup> 69-0500TWR <sup>2</sup>		A3	1.9L L4 DSL	69-9756TFK <sup>2</sup>	
147	2.0L L4 F/I	69-0500TS <sup>2</sup> 69-0500TWR <sup>2</sup>		A3	2.0L L4 DSL	69-9756TFK <sup>2</sup>	
156	1.6L L4 F/I	69-0502TWR <sup>2</sup>		A3	2.0L L4 F/I - Non-US	69-9756TFK <sup>2</sup>	
156	1.8L L4 F/I	69-0502TWR <sup>2</sup>		A3	2.0L L4 F/I - US	69-9504TTK <sup>2</sup>	9.2 @ 4853
156	2.0L L4 F/I	69-0502TWR <sup>2</sup>		A4	2.0L L4 F/I	69-9505T <sup>2</sup>	18.1 @ 4435
<b>2001 ALFA ROMEO</b>				A4 Cabriolet	2.0L L4 F/I	69-9505T <sup>2</sup>	18.1 @ 4435
147	1.6L L4 F/I	69-0500TS <sup>2</sup> 69-0500TWR <sup>2</sup>		A4 Quattro	2.0L L4 F/I	69-9505T <sup>2</sup>	18.1 @ 4435
147	2.0L L4 F/I	69-0500TS <sup>2</sup> 69-0500TWR <sup>2</sup>		A4 Quattro Cabriolet	2.0L L4 F/I	69-9505T <sup>2</sup>	18.1 @ 4435
156	1.6L L4 F/I	69-0502TWR <sup>2</sup>		TT	2.0L L4 DSL	69-9756TFK <sup>2</sup>	
156	1.8L L4 F/I	69-0502TWR <sup>2</sup>		<b>2008 AUDI</b>			
156	2.0L L4 F/I	69-0502TWR <sup>2</sup>		A3	1.8L L4 F/I	69-9756TFK <sup>2</sup>	
<b>2000 ALFA ROMEO</b>				A3	1.9L L4 DSL	69-9756TFK <sup>2</sup>	
156	1.6L L4 F/I	69-0502TWR <sup>2</sup>		A3	2.0L L4 DSL	69-9756TFK <sup>2</sup>	
156	1.8L L4 F/I	69-0502TWR <sup>2</sup>		A3	2.0L L4 F/I - Turbo, 200BHP	69-9503TFK <sup>2</sup>	18.6 @ 4500
156	2.0L L4 F/I	69-0502TWR <sup>2</sup>		A3	2.0L L4 F/I - US	69-9504TTK <sup>2</sup>	9.2 @ 4853
<b>1999 ALFA ROMEO</b>				TT	2.0L L4 DSL	69-9756TFK <sup>2</sup>	
156	1.6L L4 F/I	69-0502TWR <sup>2</sup>		<b>2007 AUDI</b>			
156	1.8L L4 F/I	69-0502TWR <sup>2</sup>		A3	1.8L L4 F/I	69-9756TFK <sup>2</sup>	
156	2.0L L4 F/I	69-0502TWR <sup>2</sup>		A3	1.9L L4 DSL	69-9756TFK <sup>2</sup>	
<b>1998 ALFA ROMEO</b>				A3	2.0L L4 DSL	69-9756TFK <sup>2</sup>	
156	1.6L L4 F/I	69-0502TWR <sup>2</sup>		A3	2.0L L4 F/I - Turbo	69-9503TFK <sup>2</sup>	18.6 @ 4500
156	1.8L L4 F/I	69-0502TWR <sup>2</sup>		A3	2.0L L4 F/I - Turbo, 200BHP	69-9503TFK <sup>2</sup>	18.6 @ 4500
156	2.0L L4 F/I	69-0502TWR <sup>2</sup>		<b>2006 AUDI</b>			
<b>2011 AUDI</b>				A3	1.9L L4 DSL	69-9756TFK <sup>2</sup>	
A3	1.6L L4 DSL	69-9756TFK <sup>2</sup>		A3	2.0L L4 DSL	69-9756TFK <sup>2</sup>	
A3	1.8L L4 F/I	69-9756TFK <sup>2</sup>		A3	2.0L L4 F/I - Turbo	69-9503TFK <sup>2</sup>	18.6 @ 4500
<b>2010 AUDI</b>				A3	2.0L L4 F/I - Turbo, 200BHP	69-9503TFK <sup>2</sup>	18.6 @ 4500
<b>2009 AUDI</b>				<b>2005 AUDI</b>			
<b>2008 AUDI</b>				A3	1.9L L4 DSL	69-9756TFK <sup>2</sup>	
<b>2007 AUDI</b>				A3	2.0L L4 DSL	69-9756TFK <sup>2</sup>	
<b>2006 AUDI</b>				A3	2.0L L4 F/I - Turbo	69-9503TFK <sup>2</sup>	18.6 @ 4500
<b>2005 AUDI</b>				A3	2.0L L4 F/I - Turbo, 200BHP	69-9503TFK <sup>2</sup>	18.6 @ 4500
<b>2004 AUDI</b>				<b>2003 AUDI</b>			
<b>2003 AUDI</b>				A3	1.8L L4 F/I - 150/180BHP, w/aux. air Pump	69-9501TB <sup>2</sup>	10.0 @ 5079

1) Street legal in all US states. 2) Street legal in most states, but not legal for use in California or other states with similar emission control regulations.

\* Estimated horsepower gains are based on specific or similar vehicle dyno tests. Results will vary. See Page 81 for more information.

Partial Listing - Complete List of Vehicles and Applications at knfilters.com. See page 82 for information on intake tube materials/colors.

# Intake Systems

# AUDI

Vehicle	Engine Type	Intake Kit	Estimated Horsepower*	Vehicle	Engine Type	Intake Kit	Estimated Horsepower*
<b>2003 AUDI</b>				<b>2003 BMW</b>			
A3	1.8L L4 F/I - 150/180BHP, w/aux. air Pump	69-9501TP <sup>2</sup>	10.0 @ 5079	325i	2.5L L6 F/I - US	57-1002 <sup>1</sup>	9.7 @ 6090
A3	1.9L L4 DSL	69-9756TFK <sup>2</sup>		325Xi	2.5L L6 F/I - US	57-1002 <sup>1</sup>	9.7 @ 6090
A3	2.0L L4 DSL	69-9756TFK <sup>2</sup>		330Ci	3.0L L6 F/I - US	57-1001 <sup>1</sup>	11.5 @ 6030
A3	2.0L L4 F/I - Turbo	69-9503TFK <sup>2</sup>	18.6 @ 4500	330i	3.0L L6 F/I - US	57-1001 <sup>1</sup>	11.5 @ 6030
<b>2002 AUDI</b>				<b>2002 BMW</b>			
A3	1.8L L4 F/I - 150/180BHP, w/aux. air Pump	69-9501TB <sup>2</sup>	10.0 @ 5079	M3	3.2L L6 F/I	57-1003 <sup>1</sup>	17.8 @ 7400
		69-9501TP <sup>2</sup>	10.0 @ 5079	M3	3.2L L6 F/I - US	69-2001TWK <sup>1</sup>	9.1 @ 6000
						69-2001TS <sup>1</sup>	9.1 @ 6000
<b>2001 AUDI</b>				<b>2001 BMW</b>			
A3	1.8L L4 F/I - 150/180BHP, w/aux. air Pump	69-9501TP <sup>2</sup>	10.0 @ 5079	325Ci	2.5L L6 F/I - US	57-1002 <sup>1</sup>	9.7 @ 6090
		69-9501TB <sup>2</sup>	10.0 @ 5079	325i	2.5L L6 F/I - US	57-1002 <sup>1</sup>	9.7 @ 6090
				325Xi	2.5L L6 F/I - US	57-1002 <sup>1</sup>	9.7 @ 6090
				330Ci	3.0L L6 F/I - US	57-1001 <sup>1</sup>	11.5 @ 6030
				330i	3.0L L6 F/I - US	57-1001 <sup>1</sup>	11.5 @ 6030
				330Xi	3.0L L6 F/I - US	57-1001 <sup>1</sup>	11.5 @ 6030
				M3	3.2L L6 F/I	57-1003 <sup>1</sup>	17.8 @ 7400
				M3	3.2L L6 F/I - US	69-2001TS <sup>1</sup>	9.1 @ 6000
						69-2001TWK <sup>1</sup>	9.1 @ 6000
<b>2000 AUDI</b>				<b>2000 BMW</b>			
A3	1.8L L4 F/I - 150/180BHP, w/aux. air Pump	69-9501TB <sup>2</sup>	10.0 @ 5079	325Ci	2.5L L6 F/I - US	57-1002 <sup>1</sup>	9.7 @ 6090
		69-9501TP <sup>2</sup>	10.0 @ 5079	325i	2.5L L6 F/I - US	57-1002 <sup>1</sup>	9.7 @ 6090
				330Ci	3.0L L6 F/I - US	57-1001 <sup>1</sup>	11.5 @ 6030
				330i	3.0L L6 F/I - US	57-1001 <sup>1</sup>	11.5 @ 6030
				M3	3.2L L6 F/I	57-1003 <sup>1</sup>	17.8 @ 7400
				M3	3.2L L6 F/I - US	69-2001TS <sup>1</sup>	9.1 @ 6000
						69-2001TWK <sup>1</sup>	9.1 @ 6000
<b>2008 BMW</b>				<b>2000 BMW</b>			
M5	5.0L V10 F/I - Non-US	69-2003TFK <sup>2</sup>	20.8 @ 5700	323Ci	2.5L L6 F/I - US	57-1002 <sup>1</sup>	9.7 @ 6090
M6	5.0L V10 F/I - Non-US	69-2003TFK <sup>2</sup>	20.8 @ 5700	323i	2.5L L6 F/I - US	57-1002 <sup>1</sup>	9.7 @ 6090
				328Ci	2.8L L6 F/I - US	57-1002 <sup>1</sup>	9.7 @ 6090
				328i	2.8L L6 F/I - US	57-1002 <sup>1</sup>	9.7 @ 6090
				330Ci	3.0L L6 F/I	57-1001 <sup>2</sup>	11.5 @ 6030
				330i	3.0L L6 F/I	57-1001 <sup>2</sup>	11.5 @ 6030
<b>2007 BMW</b>				<b>1999 BMW</b>			
M5	5.0L V10 F/I	69-2003TFK <sup>2</sup>	20.8 @ 5700	323Ci	2.5L L6 F/I - US	57-1002 <sup>1</sup>	9.7 @ 6090
M6	5.0L V10 F/I - Non-US	69-2003TFK <sup>2</sup>	20.8 @ 5700	323Ci	2.5L L6 F/I - US, E36	57-1000 <sup>1</sup>	8.7 @ 6300
				323i	2.5L L6 F/I - E46	57-1002 <sup>1</sup>	9.7 @ 6090
				323iC	2.5L L6 F/I - US	57-1002 <sup>1</sup>	9.7 @ 6090
				323iC	2.5L L6 F/I - US, E36	57-1000 <sup>1</sup>	8.7 @ 6300
				323iS	2.5L L6 F/I - US, E36	57-1000 <sup>1</sup>	8.7 @ 6300
				328i	2.8L L6 F/I - US, E36	57-1000 <sup>1</sup>	8.7 @ 6300
				328i	2.8L L6 F/I - US, E46	57-1002 <sup>1</sup>	9.7 @ 6090
				328iC	2.8L L6 F/I - US, E36	57-1000 <sup>1</sup>	8.7 @ 6300
				328iS	2.8L L6 F/I - US	57-1000 <sup>1</sup>	8.7 @ 6300
				M3	3.2L L6 F/I - US	57-1000 <sup>1</sup>	8.7 @ 6300
<b>2006 BMW</b>				<b>1998 BMW</b>			
M5	5.0L V10 F/I	69-2003TFK <sup>2</sup>	20.8 @ 5700	323iC	2.5L L6 F/I - US, E36	57-1000 <sup>1</sup>	8.7 @ 6300
M6	5.0L V10 F/I - Non-US	69-2003TFK <sup>2</sup>	20.8 @ 5700	323iS	2.5L L6 F/I - US, E36	57-1000 <sup>1</sup>	8.7 @ 6300
				328i	2.8L L6 F/I - US	57-1000 <sup>1</sup>	8.7 @ 6300
				328iC	2.8L L6 F/I - US	57-1000 <sup>1</sup>	8.7 @ 6300
				328iS	2.8L L6 F/I - US, E36	57-1000 <sup>1</sup>	8.7 @ 6300
				M3	3.2L L6 F/I - US	57-1000 <sup>1</sup>	8.7 @ 6300
<b>2005 BMW</b>				<b>1997 BMW</b>			
325Ci	2.5L L6 F/I - US	57-1002 <sup>1</sup>	9.7 @ 6090	323iS	2.5L L6 F/I - US, E36	57-1000 <sup>1</sup>	8.7 @ 6300
325i	2.5L L6 F/I - US	57-1002 <sup>1</sup>	9.7 @ 6090	328Ci	2.8L L6 F/I - US, E36	57-1000 <sup>1</sup>	8.7 @ 6300
325Xi	2.5L L6 F/I - US	57-1002 <sup>1</sup>	9.7 @ 6090	328i	2.8L L6 F/I - US	57-1000 <sup>1</sup>	8.7 @ 6300
330Ci	3.0L L6 F/I - US	57-1001 <sup>1</sup>	11.5 @ 6030				
330i	3.0L L6 F/I - US	57-1001 <sup>1</sup>	11.5 @ 6030				
330Xi	3.0L L6 F/I - US	57-1001 <sup>1</sup>	11.5 @ 6030				
M3	3.2L L6 F/I	57-1003 <sup>1</sup>	17.8 @ 7400				
M3	3.2L L6 F/I - US	69-2001TS <sup>1</sup>	9.1 @ 6000				
		69-2001TWK <sup>1</sup>	9.1 @ 6000				
M5	5.0L V10 F/I	69-2003TFK <sup>2</sup>	20.8 @ 5700				
M6	5.0L V10 F/I	69-2003TFK <sup>2</sup>	20.8 @ 5700				
<b>2004 BMW</b>							
325Ci	2.5L L6 F/I - US	57-1002 <sup>1</sup>	9.7 @ 6090				
325i	2.5L L6 F/I - US	57-1002 <sup>1</sup>	9.7 @ 6090				
325Xi	2.5L L6 F/I - US	57-1002 <sup>1</sup>	9.7 @ 6090				
330Ci	3.0L L6 F/I - US	57-1001 <sup>1</sup>	11.5 @ 6030				
330i	3.0L L6 F/I - US	57-1001 <sup>1</sup>	11.5 @ 6030				
330Xi	3.0L L6 F/I - US	57-1001 <sup>1</sup>	11.5 @ 6030				
M3	3.2L L6 F/I	57-1003 <sup>1</sup>	17.8 @ 7400				
M3	3.2L L6 F/I - US	69-2001TWK <sup>1</sup>	9.1 @ 6000				
		69-2001TS <sup>1</sup>	9.1 @ 6000				
<b>2003 BMW</b>							
325Ci	2.5L L6 F/I - US	57-1002 <sup>1</sup>	9.7 @ 6090				

1) Street legal in all US states. 2) Street legal in most states, but not legal for use in California or other states with similar emission control regulations.

\* Estimated horsepower gains are based on specific or similar vehicle dyno tests. Results will vary. See Page 81 for more information. Partial Listing - Complete List of Vehicles and Applications at knfilters.com. See page 82 for information on intake tube materials/colors.

# BMW

# Intake Systems

Vehicle	Engine Type	Intake Kit	Estimated Horsepower*	Vehicle	Engine Type	Intake Kit	Estimated Horsepower*
<b>1997 BMW</b>				<b>2005 CADILLAC</b>			
328iS	2.8L L6 F/I - US, E36	57-1000 <sup>1</sup>	8.7 @ 6300	Escalade	6.0L V8 F/I	77-3050KP <sup>1</sup>	8.4 @ 5336
M3	3.2L L6 F/I - US	57-1000 <sup>1</sup>	8.7 @ 6300	<b>2004 CADILLAC</b>			
<b>1996 BMW</b>				CTS	3.2L V6 F/I	57-3040 <sup>1</sup>	12.9 @ 6048
328Ci	2.8L L6 F/I - US, E36	57-1000 <sup>1</sup>	8.7 @ 6300	CTS	3.6L V6 F/I	57-3042 <sup>1</sup>	14.2 @ 6283
328i	2.8L L6 F/I - US	57-1000 <sup>1</sup>	8.7 @ 6300	CTS-V	5.7L V8 F/I	57-3054 <sup>1</sup>	19.1 @ 5100
328iS	2.8L L6 F/I - US, E36	57-1000 <sup>1</sup>	8.7 @ 6300	Escalade	5.3L V8 F/I	57-3023-1 <sup>1</sup>	14.3 @ 5018
M3	3.2L L6 F/I - US	57-1000 <sup>1</sup>	8.7 @ 6300	Escalade	6.0L V8 F/I	77-3023KP <sup>1</sup>	14.1 @ 4897
<b>1995 BMW</b>				Escalade	6.0L V8 F/I	57-3023-1 <sup>1</sup>	14.3 @ 5018
325Ci	2.5L L6 F/I - US, E36	57-1000 <sup>1</sup>	8.7 @ 6300	<b>2003 CADILLAC</b>			
325i	2.5L L6 F/I - US	57-1000 <sup>1</sup>	8.7 @ 6300	CTS	3.2L V6 F/I	57-3040 <sup>1</sup>	12.9 @ 6048
325iS	2.5L L6 F/I - US, E36	57-1000 <sup>1</sup>	8.7 @ 6300	Escalade	5.3L V8 F/I	57-3023-1 <sup>1</sup>	14.3 @ 5018
328Ci	2.8L L6 F/I - US, E36	57-1000 <sup>1</sup>	8.7 @ 6300	Escalade	6.0L V8 F/I	77-3023KP <sup>1</sup>	14.1 @ 4897
M3	3.0L L6 F/I - US	57-1000 <sup>1</sup>	8.7 @ 6300	Escalade	6.0L V8 F/I	57-3023-1 <sup>1</sup>	14.3 @ 5018
<b>1994 BMW</b>				<b>2002 CADILLAC</b>			
325Ci	2.5L L6 F/I - US, E36	57-1000 <sup>1</sup>	8.7 @ 6300	Escalade	5.3L V8 F/I	77-3023KP <sup>1</sup>	14.1 @ 4897
325i	2.5L L6 F/I - US	57-1000 <sup>1</sup>	8.7 @ 6300	Escalade	6.0L V8 F/I	77-3023KP <sup>1</sup>	14.1 @ 4897
325iS	2.5L L6 F/I - US, E36	57-1000 <sup>1</sup>	8.7 @ 6300	Escalade	6.0L V8 F/I	57-3023-1 <sup>1</sup>	14.3 @ 5018
<b>1993 BMW</b>				<b>2011 CHEVROLET</b>			
325i	2.5L L6 F/I - US	57-1000 <sup>1</sup>	8.7 @ 6300	Avalanche	5.3L V8 F/I	77-3070KP <sup>2</sup>	9.7 @ 5342
325iS	2.5L L6 F/I - US	57-1000 <sup>1</sup>	8.7 @ 6300	63-3070 <sup>2</sup>			16.6 @ 5342
<b>1992 BMW</b>				Camaro	3.6L V6 F/I	63-3075 <sup>2</sup>	15.0 @ 6200
325Ci	2.5L L6 F/I - US, E36	57-1000 <sup>1</sup>	8.7 @ 6300	69-4520TP <sup>2</sup>			13.5 @ 6200
325i	2.5L L6 F/I - US	57-1000 <sup>1</sup>	8.7 @ 6300	Camaro	6.2L V8 F/I	69-4519TP <sup>2</sup>	18.1 @ 5200
325iS	2.5L L6 F/I - US, E36	57-1000 <sup>1</sup>	8.7 @ 6300	63-3074 <sup>2</sup>			18.6 @ 5161
<b>2011 CADILLAC</b>				Colorado	2.9L L4 F/I	63-3064-1 <sup>2</sup>	9.0 @ 4862
Escalade	6.2L V8 F/I	77-3070KP <sup>2</sup>	9.7 @ 5342	Corvette	6.2L V8 F/I	63-3073 <sup>2</sup>	17.7 @ 4750
		63-3070 <sup>2</sup>	16.6 @ 5342	HHR	2.2L L4 F/I	63-3056 <sup>2</sup>	9.3 @ 5325
<b>2010 CADILLAC</b>				Silverado 1500	4.8L V8 F/I	77-3070KP <sup>2</sup>	9.7 @ 5342
Escalade	6.2L V8 F/I	63-3070 <sup>2</sup>	16.6 @ 5342	63-3070 <sup>2</sup>			16.6 @ 5342
		77-3070KP <sup>2</sup>	9.7 @ 5342	Silverado 1500	5.3L V8 F/I	77-3070KP <sup>2</sup>	9.7 @ 5342
<b>2009 CADILLAC</b>				63-3070 <sup>2</sup>			16.6 @ 5342
Escalade	6.2L V8 F/I	63-3070 <sup>2</sup>	16.6 @ 5342	Silverado 1500	6.0L V8 F/I	77-3070KP <sup>2</sup>	9.7 @ 5342
		77-3070KP <sup>2</sup>	9.7 @ 5342	63-3070 <sup>2</sup>			16.6 @ 5342
<b>2008 CADILLAC</b>				Silverado 1500	6.2L V8 F/I	77-3070KP <sup>2</sup>	9.7 @ 5342
Escalade	6.2L V8 F/I	77-3058KP <sup>2</sup>	12.5 @ 4917	63-3070 <sup>2</sup>			16.6 @ 5342
		63-3058 <sup>2</sup>	17.6 @ 4917	Suburban 1500	5.3L V8 F/I	63-3070 <sup>2</sup>	16.6 @ 5342
<b>2007 CADILLAC</b>				77-3070KP <sup>2</sup>			9.7 @ 5342
CTS-V	6.0L V8 F/I	63-3068 <sup>2</sup>	17.1 @ 5117	Tahoe	5.3L V8 F/I	77-3070KP <sup>2</sup>	9.7 @ 5342
Escalade	6.2L V8 F/I	77-3058KP <sup>1</sup>	12.5 @ 4917	63-3070 <sup>2</sup>			16.6 @ 5342
		63-3058 <sup>2</sup>	17.6 @ 4917	77-3070KP <sup>2</sup>			9.7 @ 5342
		57-3058 <sup>1</sup>	17.6 @ 4917	<b>2010 CHEVROLET</b>			
<b>2006 CADILLAC</b>				Avalanche	5.3L V8 F/I	63-3070 <sup>2</sup>	16.6 @ 5342
CTS	2.8L V6 F/I	57-3042 <sup>1</sup>	14.2 @ 6283	77-3070KP <sup>2</sup>			9.7 @ 5342
CTS	3.6L V6 F/I	57-3042 <sup>1</sup>	14.2 @ 6283	Camaro	3.6L V6 F/I	69-4520TP <sup>2</sup>	13.5 @ 6200
CTS-V	6.0L V8 F/I	63-3068 <sup>2</sup>	17.1 @ 5117	63-3075 <sup>2</sup>			15.0 @ 6200
Escalade	6.0L V8 F/I	57-3050 <sup>1</sup>	11.9 @ 5367	Camaro	6.2L V8 F/I	63-3074 <sup>2</sup>	18.6 @ 5161
		77-3050KP <sup>1</sup>	8.4 @ 5336	69-4519TP <sup>2</sup>			18.1 @ 5200
<b>2005 CADILLAC</b>				Cobalt	2.2L L4 F/I	69-4515TS <sup>2</sup>	6.6 @ 4800
CTS	2.8L V6 F/I	57-3042 <sup>1</sup>	14.2 @ 6283	Colorado	2.9L L4 F/I	63-3064-1 <sup>2</sup>	9.0 @ 4862
CTS	3.6L V6 F/I	57-3042 <sup>1</sup>	14.2 @ 6283	Colorado	3.7L L5 F/I	77-3065KP <sup>2</sup>	7.2 @ 4533
CTS-V	5.7L V8 F/I	57-3054 <sup>1</sup>	19.1 @ 5100	63-3065 <sup>2</sup>			11.0 @ 4754
Escalade	5.3L V8 F/I	77-3050KP <sup>1</sup>	8.4 @ 5336	Corvette	6.2L V8 F/I	63-3073 <sup>2</sup>	17.7 @ 4750
		57-3050 <sup>1</sup>	11.9 @ 5367	Equinox	2.4L L4 F/I	77-3071KS <sup>2</sup>	9.3 @ 4600
Escalade	6.0L V8 F/I	57-3050 <sup>1</sup>	11.9 @ 5367	HHR	2.2L L4 F/I	63-3056 <sup>2</sup>	9.3 @ 5325
				HHR	2.4L L4 F/I	63-3056 <sup>2</sup>	9.3 @ 5325

1) Street legal in all US states. 2) Street legal in most states, but not legal for use in California or other states with similar emission control regulations.

\* Estimated horsepower gains are based on specific or similar vehicle dyno tests. Results will vary. See Page 81 for more information.

Partial Listing - Complete List of Vehicles and Applications at knfilters.com. See page 82 for information on intake tube materials/colors.



# Intake Systems

# CHEVROLET

Vehicle	Engine Type	Intake Kit	Estimated Horsepower*	Vehicle	Engine Type	Intake Kit	Estimated Horsepower*
<b>2010 CHEVROLET</b>				<b>2008 CHEVROLET</b>			
<b>Silverado 1500</b>	4.8L V8 F/I	77-3070KP <sup>2</sup> 63-3070 <sup>2</sup>	9.7 @ 5342 16.6 @ 5342	<b>Avalanche</b>	6.0L V8 F/I	77-3058KP <sup>2</sup> 63-3058 <sup>2</sup>	12.5 @ 4917 17.6 @ 4917
<b>Silverado 1500</b>	5.3L V8 F/I	77-3070KP <sup>2</sup> 63-3070 <sup>2</sup>	9.7 @ 5342 16.6 @ 5342	<b>Cheyenne</b>	5.3L V8 F/I	77-3058KP <sup>2</sup>	12.5 @ 4917
<b>Silverado 1500</b>	6.0L V8 F/I	63-3070 <sup>2</sup> 77-3070KP <sup>2</sup>	16.6 @ 5342 9.7 @ 5342	<b>Cobalt</b>	2.0L L4 F/I	69-4518TTK <sup>2</sup>	12.2 @ 4600
<b>Silverado 1500</b>	6.2L V8 F/I	63-3070 <sup>2</sup> 77-3070KP <sup>2</sup>	16.6 @ 5342 9.7 @ 5342	<b>Cobalt</b>	2.2L L4 F/I	69-4515TS <sup>2</sup>	6.6 @ 4800
<b>Silverado 2500 HD</b>	6.0L V8 F/I	63-3076 <sup>2</sup>		<b>Cobalt</b>	2.4L L4 F/I	69-4517TTK <sup>2</sup>	15.9 @ 5900
<b>Silverado 2500 HD</b>	6.6L V8 DSL	57-3066 <sup>1</sup>	19.7 @ 2900	<b>Colorado</b>	2.9L L4 F/I	63-3064-1 <sup>2</sup>	9.0 @ 4862
<b>Silverado 3500 HD</b>	6.6L V8 DSL	57-3066 <sup>1</sup>	19.7 @ 2900	<b>Colorado</b>	3.7L L5 F/I	77-3065KP <sup>2</sup> 63-3065 <sup>2</sup>	7.2 @ 4533 11.0 @ 4754
<b>Suburban 1500</b>	5.3L V8 F/I	63-3070 <sup>2</sup> 77-3070KP <sup>2</sup>	16.6 @ 5342 9.7 @ 5342	<b>Corvette</b>	6.2L V8 F/I	63-3073 <sup>2</sup>	17.7 @ 4750
<b>Tahoe</b>	5.3L V8 F/I	77-3070KP <sup>2</sup> 63-3070 <sup>2</sup>	9.7 @ 5342 10.3 @ 5342	<b>Corvette Z06</b>	7.0L V8 F/I	63-3060-1 <sup>2</sup>	27.2 @ 5600
<b>2009 CHEVROLET</b>				<b>HHR</b>	2.0L L4 F/I	63-3069 <sup>2</sup>	9.4 @ 5068
<b>Avalanche</b>	5.3L V8 F/I	77-3070KP <sup>2</sup> 63-3070 <sup>2</sup>	9.7 @ 5342 16.6 @ 5342	<b>HHR</b>	2.4L L4 F/I	63-3056 <sup>2</sup>	9.3 @ 5325
<b>Avalanche</b>	6.0L V8 F/I	63-3070 <sup>2</sup> 77-3070KP <sup>2</sup>	16.6 @ 5342 9.7 @ 5342	<b>Impala</b>	5.3L V8 F/I	63-3059 <sup>2</sup>	13.5 @ 5222
<b>Cheyenne</b>	5.3L V8 F/I	77-3058KP <sup>2</sup>	12.5 @ 4917	<b>Silverado 1500</b>	4.8L V8 F/I	77-3058KP <sup>2</sup> 63-3058 <sup>2</sup>	12.5 @ 4917 17.6 @ 4917
<b>Cobalt</b>	2.0L L4 F/I	69-4518TTK <sup>2</sup>	12.2 @ 4600	<b>Silverado 1500</b>	5.3L V8 F/I	77-3058KP <sup>2</sup> 63-3058 <sup>2</sup>	12.5 @ 4917 17.6 @ 4917
<b>Cobalt</b>	2.2L L4 F/I	69-4515TS <sup>2</sup>	6.6 @ 4800	<b>Silverado 1500</b>	6.0L V8 F/I	77-3058KP <sup>2</sup> 63-3058 <sup>2</sup>	12.5 @ 4917 17.6 @ 4917
<b>Colorado</b>	2.9L L4 F/I	63-3064-1 <sup>2</sup>	9.0 @ 4862	<b>Silverado 2500 HD</b>	6.0L V8 F/I	63-3067 <sup>2</sup> 57-3067 <sup>2</sup>	11.4 @ 4500
<b>Colorado</b>	3.7L L5 F/I	63-3065 <sup>2</sup> 77-3065KP <sup>2</sup>	11.0 @ 4754 7.2 @ 4533	<b>Silverado 2500 HD</b>	6.6L V8 DSL	57-3066 <sup>1</sup>	19.7 @ 2900
<b>Corvette</b>	6.2L V8 F/I	63-3073 <sup>2</sup>	17.7 @ 4750	<b>Silverado 3500 HD</b>	6.0L V8 F/I	63-3067 <sup>2</sup> 57-3067 <sup>2</sup>	11.4 @ 4500
<b>Corvette Z06</b>	7.0L V8 F/I	63-3060-1 <sup>2</sup>	27.2 @ 5600	<b>Silverado 3500 HD</b>	6.6L V8 DSL	57-3066 <sup>1</sup>	19.7 @ 2900
<b>HHR</b>	2.0L L4 F/I	63-3069 <sup>2</sup>	9.4 @ 5068	<b>Suburban 1500</b>	5.3L V8 F/I	77-3058KP <sup>2</sup> 63-3058 <sup>2</sup>	12.5 @ 4917 17.6 @ 4917
<b>HHR</b>	2.4L L4 F/I	63-3056 <sup>2</sup>	9.3 @ 5325	<b>Suburban 1500</b>	6.0L V8 F/I	63-3058 <sup>2</sup> 77-3058KP <sup>2</sup>	17.6 @ 4917 12.5 @ 4917
<b>Impala</b>	5.3L V8 F/I	63-3059 <sup>2</sup>	13.5 @ 5222	<b>Tahoe</b>	4.8L V8 F/I	63-3058 <sup>2</sup> 77-3058KP <sup>2</sup>	17.6 @ 4917 12.5 @ 4917
<b>Silverado 1500</b>	4.8L V8 F/I	63-3070 <sup>2</sup> 77-3070KP <sup>2</sup>	16.6 @ 5342 9.7 @ 5342	<b>Tahoe</b>	5.3L V8 F/I	63-3058 <sup>2</sup> 77-3058KP <sup>2</sup>	17.6 @ 4917 12.5 @ 4917
<b>Silverado 1500</b>	5.3L V8 F/I	77-3070KP <sup>2</sup> 63-3070 <sup>2</sup>	9.7 @ 5342 16.6 @ 5342	<b>TrailBlazer</b>	4.2L L6 F/I	77-3062KP <sup>2</sup> 63-3062 <sup>2</sup>	9.3 @ 4850 9.5 @ 4725
<b>Silverado 1500</b>	6.0L V8 F/I	63-3070 <sup>2</sup> 77-3070KP <sup>2</sup>	16.6 @ 5342 9.7 @ 5342	<b>TrailBlazer</b>	6.0L V8 F/I	63-3061 <sup>2</sup>	19.2 @ 5331
<b>Silverado 1500</b>	6.2L V8 F/I	63-3070 <sup>2</sup> 77-3070KP <sup>2</sup>	16.6 @ 5342 10.8 @ 5342	<b>2007 CHEVROLET</b>			
<b>Silverado 2500 HD</b>	6.0L V8 F/I	63-3076 <sup>2</sup>		<b>Avalanche</b>	5.3L V8 F/I	77-3058KP <sup>1</sup> 63-3058 <sup>2</sup>	12.5 @ 4917 17.6 @ 4917
<b>Silverado 2500 HD</b>	6.6L V8 DSL	57-3066 <sup>1</sup>	19.7 @ 2900	<b>Avalanche</b>	6.0L V8 F/I	77-3058KP <sup>1</sup> 57-3058 <sup>1</sup>	12.5 @ 4917 17.6 @ 4917
<b>Silverado 3500 HD</b>	6.0L V8 F/I	63-3076 <sup>2</sup>		<b>Avalanche</b>	6.0L V8 F/I	77-3058KP <sup>1</sup> 57-3058 <sup>1</sup>	12.5 @ 4917 17.6 @ 4917
<b>Silverado 3500 HD</b>	6.6L V8 DSL	57-3066 <sup>1</sup>	19.7 @ 2900	<b>Cheyenne</b>	5.3L V8 F/I	63-3058 <sup>2</sup> 77-3058KP <sup>2</sup>	17.6 @ 4917 12.5 @ 4917
<b>Suburban 1500</b>	5.3L V8 F/I	63-3070 <sup>2</sup> 77-3070KP <sup>2</sup>	16.6 @ 5342 9.7 @ 5342	<b>Cobalt</b>	2.2L L4 F/I	69-4515TS <sup>2</sup>	6.6 @ 4800
<b>Suburban 1500</b>	6.0L V8 F/I	63-3070 <sup>2</sup> 77-3070KP <sup>2</sup>	16.6 @ 5342 9.7 @ 5342	<b>Cobalt</b>	2.4L L4 F/I	69-4517TTK <sup>2</sup>	15.9 @ 5900
<b>Tahoe</b>	4.8L V8 F/I	77-3070KP <sup>2</sup> 63-3070 <sup>2</sup>	9.7 @ 5342 16.6 @ 5342	<b>Colorado</b>	2.9L L4 F/I	63-3064-1 <sup>2</sup>	9.0 @ 4862
<b>Tahoe</b>	5.3L V8 F/I	77-3070KP <sup>2</sup> 63-3070 <sup>2</sup>	9.7 @ 5342 16.6 @ 5342	<b>Colorado</b>	3.7L L5 F/I	77-3065KP <sup>2</sup> 63-3065 <sup>2</sup>	7.2 @ 4533 11.0 @ 4754
<b>Tahoe</b>	6.2L V8 F/I	77-3070KP <sup>2</sup> 63-3070 <sup>2</sup>	9.7 @ 5342 16.6 @ 5342	<b>Corvette</b>	6.0L V8 F/I	63-3052 <sup>2</sup>	10.1 @ 6000
<b>TrailBlazer</b>	4.2L L6 F/I	77-3062KP <sup>2</sup> 63-3062 <sup>2</sup>	9.3 @ 4850 9.5 @ 4725	<b>Corvette Z06</b>	7.0L V8 F/I	63-3060-1 <sup>2</sup>	27.2 @ 5600
<b>2008 CHEVROLET</b>				<b>HHR</b>	2.4L L4 F/I	57-3056 <sup>1</sup>	9.3 @ 5325
<b>Avalanche</b>	5.3L V8 F/I	77-3058KP <sup>2</sup> 63-3058 <sup>2</sup>	12.5 @ 4917 17.6 @ 4917	<b>Impala</b>	5.3L V8 F/I	63-3059 <sup>2</sup>	13.5 @ 5222
<b>Avalanche</b>	5.3L V8 F/I	77-3058KP <sup>2</sup> 63-3058 <sup>2</sup>	12.5 @ 4917 17.6 @ 4917	<b>Monte Carlo</b>	5.3L V8 F/I	63-3059 <sup>2</sup>	13.5 @ 5222
<b>Avalanche</b>	5.3L V8 F/I	77-3058KP <sup>2</sup> 63-3058 <sup>2</sup>	12.5 @ 4917 17.6 @ 4917	<b>Silverado 1500</b>	4.8L V8 F/I	57-3058 <sup>1</sup> 77-3058KP <sup>1</sup>	17.6 @ 4917 12.5 @ 4917
<b>Avalanche</b>	5.3L V8 F/I	77-3058KP <sup>2</sup> 63-3058 <sup>2</sup>	12.5 @ 4917 17.6 @ 4917	<b>Silverado 1500</b>	5.3L V8 F/I	77-3058KP <sup>1</sup>	12.5 @ 4917

1) Street legal in all US states. 2) Street legal in most states, but not legal for use in California or other states with similar emission control regulations.

\* Estimated horsepower gains are based on specific or similar vehicle dyno tests. Results will vary. See Page 81 for more information. Partial Listing - Complete List of Vehicles and Applications at [knfilters.com](http://knfilters.com). See page 82 for information on intake tube materials/colors.

# CHEVROLET

# Intake Systems

Vehicle	Engine Type	Intake Kit	Estimated Horsepower*	Vehicle	Engine Type	Intake Kit	Estimated Horsepower*
<b>2007 CHEVROLET</b>				<b>2007 CHEVROLET</b>			
Silverado 1500	5.3L V8 F/I	63-3058 <sup>2</sup> 57-3058 <sup>1</sup>	17.6 @ 4917 17.6 @ 4917	TrailBlazer	4.2L L6 F/I	63-3062 <sup>2</sup>	9.5 @ 4725
Silverado 1500	6.0L V8 F/I	77-3058KP <sup>1</sup> 63-3058 <sup>2</sup> 57-3058 <sup>1</sup>	12.5 @ 4917 17.6 @ 4917 17.6 @ 4917	TrailBlazer	4.2L V6 F/I	63-3062 <sup>2</sup> 77-3062KP <sup>2</sup>	9.5 @ 4725 9.3 @ 4850
Silverado 1500 Classic	4.3L V6 F/I	57-3038 <sup>1</sup>	8.2 @ 4544	TrailBlazer	6.0L V8 F/I	57-3061 <sup>1</sup>	19.2 @ 5331
Silverado 1500 Classic	4.8L V8 F/I	77-3050KP <sup>1</sup> 57-3050 <sup>1</sup>	8.4 @ 5336 11.9 @ 5367	<b>2006 CHEVROLET</b>			
Silverado 1500 Classic	5.3L V8 F/I	57-3050 <sup>1</sup> 77-3050KP <sup>1</sup>	11.9 @ 5367 8.4 @ 5336	Avalanche 1500	5.3L V8 F/I	57-3050 <sup>1</sup> 77-3050KP <sup>1</sup>	11.9 @ 5367 8.4 @ 5336
Silverado 1500 HD Classic	6.0L V8 F/I	77-3023KP <sup>1</sup> 57-3023-1 <sup>1</sup>	14.1 @ 4897 14.3 @ 5018	Avalanche 2500	8.1L V8 F/I	57-3032 <sup>1</sup>	13.0 @ 4231
Silverado 2500 HD	6.0L V8 F/I	63-3067 <sup>2</sup> 57-3067 <sup>2</sup> 57-3066 <sup>1</sup>	11.4 @ 4500 11.4 @ 4500 19.7 @ 2900	Cobalt	2.0L L4 F/I	69-4516TS <sup>1</sup>	8.1 @ 5829
Silverado 2500 HD	6.6L V8 DSL	77-3031KP <sup>2</sup> 63-3031 <sup>2</sup>	17.5 @ 5024 20.3 @ 4894	Cobalt	2.2L L4 F/I	69-4515TS <sup>1</sup>	6.6 @ 4800
Silverado 2500 HD Classic	6.6L V8 DSL	57-3057 <sup>1</sup> 57-3000 <sup>1</sup>	22.1 @ 2860 15.4 @ 2911	Cobalt	2.4L L4 F/I	69-4517TTK <sup>2</sup>	15.9 @ 5900
Silverado 2500 HD Classic	8.1L V8 F/I	63-3030 <sup>2</sup>	17.3 @ 4559	Colorado	2.8L L4 F/I	57-3051 <sup>1</sup>	11.5 @ 5863
Silverado 3500 Classic	6.0L V8 F/I	77-3031KP <sup>2</sup> 63-3031 <sup>2</sup>	17.5 @ 5024 20.3 @ 4894	Colorado	3.5L L5 F/I	57-3043 <sup>1</sup> 77-3043KP <sup>1</sup>	18.6 @ 6001 9.2 @ 6057
Silverado 3500 Classic	6.6L V8 DSL	57-3057 <sup>1</sup> 57-3000 <sup>1</sup>	22.1 @ 2860 15.4 @ 2911	Corvette	6.0L V8 F/I	63-3052 <sup>2</sup>	10.1 @ 6000
Silverado 3500 Classic	8.1L V8 F/I	63-3030 <sup>2</sup>	17.3 @ 4559	Corvette Z06	7.0L V8 F/I	63-3060-1 <sup>2</sup>	27.2 @ 5600
Silverado 3500 HD	6.0L V8 F/I	57-3067 <sup>2</sup> 63-3067 <sup>2</sup> 57-3066 <sup>1</sup>	11.4 @ 4500 11.4 @ 4500 19.7 @ 2900	HHR	2.4L L4 F/I	57-3056 <sup>1</sup>	9.3 @ 5325
Silverado 3500 HD	6.6L V8 DSL	77-3031KP <sup>2</sup> 63-3031 <sup>2</sup>	17.5 @ 5024 20.3 @ 4894	Impala	5.3L V8 F/I	63-3059 <sup>2</sup>	13.5 @ 5222
Silverado 3500 HD	6.6L V8 DSL	57-3057 <sup>1</sup> 57-3000 <sup>1</sup>	22.1 @ 2860 15.4 @ 2911	Kodiak CK4500	6.6L V8 DSL	77-3064KTK <sup>1</sup>	10.0 @ 2944
Silverado 3500 HD	8.1L V8 F/I	63-3030 <sup>2</sup>	17.3 @ 4559	Kodiak CK5500	6.6L V8 DSL	77-3064KTK <sup>1</sup>	10.0 @ 2944
Silverado 3500 Classic	6.0L V8 F/I	77-3031KP <sup>2</sup> 63-3031 <sup>2</sup>	17.5 @ 5024 20.3 @ 4894	Monte Carlo	5.3L V8 F/I	63-3059 <sup>2</sup>	13.5 @ 5222
Silverado 3500 Classic	6.6L V8 DSL	57-3057 <sup>1</sup> 57-3000 <sup>1</sup>	22.1 @ 2860 15.4 @ 2911	Silverado 1500	4.3L V6 F/I	57-3038 <sup>1</sup>	8.2 @ 4544
Silverado 3500 HD	6.0L V8 F/I	57-3067 <sup>2</sup> 63-3067 <sup>2</sup> 57-3066 <sup>1</sup>	11.4 @ 4500 11.4 @ 4500 19.7 @ 2900	Silverado 1500	4.8L V8 F/I	77-3050KP <sup>1</sup> 57-3050 <sup>1</sup>	8.4 @ 5336 11.9 @ 5367
Silverado 3500 HD	6.6L V8 DSL	77-3050KP <sup>1</sup> 57-3050 <sup>1</sup>	8.4 @ 5336 11.9 @ 5367	Silverado 1500	5.3L V8 F/I	77-3050KP <sup>1</sup> 57-3050 <sup>1</sup>	8.4 @ 5336 11.9 @ 5367
Silverado SS	6.0L V8 F/I	77-3050KP <sup>1</sup> 57-3050 <sup>1</sup>	8.4 @ 5336 11.9 @ 5367	Silverado 1500	6.0L V8 F/I	57-3050 <sup>1</sup> 77-3050KP <sup>1</sup>	11.9 @ 5367 8.4 @ 5336
Suburban 1500	5.3L V8 F/I	57-3058 <sup>1</sup> 63-3058 <sup>2</sup> 77-3058KP <sup>1</sup>	17.6 @ 4917 17.6 @ 4917 12.5 @ 4917	Silverado 1500 HD	6.0L V8 F/I	57-3023-1 <sup>1</sup> 77-3023KP <sup>1</sup>	14.3 @ 5018 14.1 @ 4897
Suburban 1500	6.0L V8 F/I	77-3058KP <sup>1</sup> 63-3058 <sup>2</sup> 57-3058 <sup>1</sup>	12.5 @ 4917 17.6 @ 4917 17.6 @ 4917	Silverado 2500 HD	6.0L V8 F/I	57-3031-1 <sup>1</sup> 77-3031KP <sup>1</sup>	20.3 @ 4894 17.5 @ 5024
Suburban 1500	6.0L V8 F/I	57-3063 <sup>1</sup> 77-3058KP <sup>1</sup> 63-3058 <sup>2</sup>	11.6 @ 5075 12.5 @ 4917 17.6 @ 4917	Silverado 2500 HD	6.6L V8 DSL	57-3057 <sup>1</sup> 57-3000 <sup>1</sup>	22.1 @ 2860 15.4 @ 2911
Suburban 2500	6.0L V8 F/I	57-3058 <sup>1</sup> 77-3058KP <sup>1</sup> 63-3058 <sup>2</sup>	11.6 @ 5075 12.5 @ 4917 17.6 @ 4917	Silverado 2500 HD	8.1L V8 F/I	57-3030-1 <sup>1</sup> 57-3031-1 <sup>1</sup>	17.3 @ 4559 20.3 @ 4894
Tahoe	4.8L V8 F/I	57-3058 <sup>1</sup> 77-3058KP <sup>1</sup> 63-3058 <sup>2</sup>	17.6 @ 4917 12.5 @ 4917 17.6 @ 4917	Silverado 2500 HD	6.0L V8 F/I	77-3031KP <sup>1</sup> 57-3000 <sup>1</sup>	17.5 @ 5024 15.4 @ 2911
Tahoe	5.3L V8 F/I	77-3058KP <sup>1</sup> 63-3058 <sup>2</sup> 57-3058 <sup>1</sup>	12.5 @ 4917 17.6 @ 4917 17.6 @ 4917	Silverado 2500 HD	6.6L V8 DSL	57-3057 <sup>1</sup> 57-3057 <sup>1</sup>	22.1 @ 2860 22.1 @ 2860
TrailBlazer	4.2L L6 F/I	77-3062KP <sup>2</sup>	9.3 @ 4850	Silverado 2500 HD	8.1L V8 F/I	57-3030-1 <sup>1</sup> 57-3031-1 <sup>1</sup>	17.3 @ 4559 20.3 @ 4894
				Silverado 3500	6.0L V8 F/I	77-3031KP <sup>1</sup> 57-3000 <sup>1</sup>	17.5 @ 5024 15.4 @ 2911
				Silverado 3500	6.6L V8 DSL	57-3000 <sup>1</sup> 57-3057 <sup>1</sup>	15.4 @ 2911 22.1 @ 2860
				Silverado 3500	8.1L V8 F/I	57-3030-1 <sup>1</sup> 57-3050 <sup>1</sup>	17.3 @ 4559 11.9 @ 5367
				Silverado SS	6.0L V8 F/I	77-3050KP <sup>1</sup> 57-3055 <sup>1</sup>	8.4 @ 5336 13.8 @ 4700
				SSR	6.0L V8 F/I	57-3055 <sup>1</sup> 77-3050KP <sup>1</sup>	13.8 @ 4700 8.4 @ 5336
				Suburban 1500	5.3L V8 F/I	57-3050 <sup>1</sup> 77-3023KP <sup>1</sup>	11.9 @ 5367 14.1 @ 4897
				Suburban 1500	6.0L V8 F/I	57-3023-1 <sup>1</sup> 57-3023-1 <sup>1</sup>	14.3 @ 5018 14.3 @ 5018
				Suburban 2500	6.0L V8 F/I	77-3023KP <sup>1</sup> 57-3032 <sup>1</sup>	14.1 @ 4897 13.0 @ 4231
				Suburban 2500	8.1L V8 F/I	57-3032 <sup>1</sup> 57-3050 <sup>1</sup>	13.0 @ 4231 11.9 @ 5367
				Tahoe	4.8L V8 F/I	77-3050KP <sup>1</sup> 57-3050 <sup>1</sup>	8.4 @ 5336 11.9 @ 5367
				Tahoe	5.3L V8 F/I	57-3050 <sup>1</sup> 77-3050KP <sup>1</sup>	11.9 @ 5367 8.4 @ 5336
				TrailBlazer	4.2L L6 F/I	57-3062 <sup>1</sup> 77-3062KP <sup>1</sup>	9.5 @ 4725 9.3 @ 4850
				TrailBlazer	4.2L V6 F/I	77-3062KP <sup>1</sup> 57-3062 <sup>1</sup>	9.3 @ 4850 9.5 @ 4725

1) Street legal in all US states. 2) Street legal in most states, but not legal for use in California or other states with similar emission control regulations.

\* Estimated horsepower gains are based on specific or similar vehicle dyno tests. Results will vary. See Page 81 for more information.

Partial Listing - Complete List of Vehicles and Applications at [knfilters.com](http://knfilters.com). See page 82 for information on intake tube materials/colors.

# Intake Systems

# CHEVROLET

Vehicle	Engine Type	Intake Kit	Estimated Horsepower*	Vehicle	Engine Type	Intake Kit	Estimated Horsepower*
<b>2006 CHEVROLET</b>				<b>2005 CHEVROLET</b>			
TrailBlazer	6.0L V8 F/I	57-3061 <sup>1</sup>	19.2 @ 5331	TrailBlazer	5.3L V8 F/I	57-3048 <sup>1</sup>	19.3 @ 5133
<b>2005 CHEVROLET</b>				<b>2004 CHEVROLET</b>			
Avalanche 1500	5.3L V8 F/I	77-3050KP <sup>1</sup>	8.4 @ 5336	Avalanche 1500	5.3L V8 F/I	77-3023KP <sup>1</sup>	14.1 @ 4897
		57-3050 <sup>1</sup>	11.9 @ 5367			57-3033 <sup>1</sup>	10.2 @ 5244
Avalanche 2500	8.1L V8 F/I	57-3032 <sup>1</sup>	13.0 @ 4231	Avalanche 2500	8.1L V8 F/I	57-3032 <sup>1</sup>	13.0 @ 4231
Blazer	4.3L V6 F/I	57-3017-2 <sup>1</sup>	7.4 @ 4671	Blazer	4.3L V6 F/I	57-3017-2 <sup>1</sup>	7.4 @ 4671
Cavalier Ecotec	2.2L L4 F/I	69-4510TS <sup>1</sup>	5.4 @ 5223	Cavalier Ecotec	2.2L L4 F/I	69-4510TS <sup>1</sup>	5.4 @ 5223
Cobalt	2.0L L4 F/I	69-4516TS <sup>1</sup>	8.1 @ 5829	Colorado	2.8L L4 F/I	57-3051 <sup>1</sup>	11.5 @ 5863
Cobalt	2.2L L4 F/I	69-4515TS <sup>1</sup>	6.6 @ 4800	Colorado	3.5L L5 F/I	57-3043 <sup>1</sup>	18.6 @ 6001
Colorado	2.8L L4 F/I	57-3051 <sup>1</sup>	11.5 @ 5863			77-3043KP <sup>1</sup>	9.2 @ 6057
Colorado	3.5L L5 F/I	77-3043KP <sup>1</sup>	9.2 @ 6057	Corvette	5.7L V8 F/I	57-3035 <sup>1</sup>	11.4 @ 4700
		57-3043 <sup>1</sup>	18.6 @ 6001	Corvette Z06	5.7L V8 F/I	63-1050 <sup>2</sup>	11.4 @ 4700
Corvette	6.0L V8 F/I	57-3052 <sup>1</sup>	10.1 @ 6000	Impala	3.8L V6 F/I	57-3045 <sup>1</sup>	13.3 @ 5224
Impala	3.8L V6 F/I	57-3045 <sup>1</sup>	13.3 @ 5224	Kodiak CK4500	6.6L V8 DSL	77-3063KTK <sup>1</sup>	14.9 @ 2612
Kodiak CK4500	6.6L V8 DSL	77-3063KTK <sup>1</sup>	14.9 @ 2612	Kodiak CK5500	6.6L V8 DSL	77-3063KTK <sup>1</sup>	14.9 @ 2612
Kodiak CK5500	6.6L V8 DSL	77-3063KTK <sup>1</sup>	14.9 @ 2612	Monte Carlo	3.8L V6 F/I	57-3045 <sup>1</sup>	13.3 @ 5224
Monte Carlo	3.8L V6 F/I	57-3045 <sup>1</sup>	13.3 @ 5224	S10 Pickup	4.3L V6 F/I	57-3017-2 <sup>1</sup>	7.4 @ 4671
Silverado 1500	4.3L V6 F/I	57-3038 <sup>1</sup>	8.2 @ 4544	Silverado 1500	4.3L V6 F/I	57-3038 <sup>1</sup>	8.2 @ 4544
Silverado 1500	4.8L V8 F/I	77-3050KP <sup>1</sup>	8.4 @ 5336	Silverado 1500	4.8L V8 F/I	77-3021KP <sup>1</sup>	8.2 @ 5067
		57-3050 <sup>1</sup>	11.9 @ 5367			57-3021-1 <sup>1</sup>	9.1 @ 5352
Silverado 1500	5.3L V8 F/I	77-3050KP <sup>1</sup>	8.4 @ 5336	Silverado 1500	5.3L V8 F/I	77-3021KP <sup>1</sup>	8.2 @ 5067
		57-3050 <sup>1</sup>	11.9 @ 5367			57-3021-1 <sup>1</sup>	9.1 @ 5352
Silverado 1500 HD	6.0L V8 F/I	57-3023-1 <sup>1</sup>	14.3 @ 5018	Silverado 2500	6.0L V8 F/I	77-3023KP <sup>1</sup>	14.1 @ 4897
		77-3023KP <sup>1</sup>	14.1 @ 4897			57-3023-1 <sup>1</sup>	14.3 @ 5018
Silverado 2500 HD	6.0L V8 F/I	77-3031KP <sup>1</sup>	17.5 @ 5024	Silverado 2500 HD	6.0L V8 F/I	57-3031-1 <sup>1</sup>	20.3 @ 4894
		57-3031-1 <sup>1</sup>	20.3 @ 4894			77-3031KP <sup>1</sup>	17.5 @ 5024
Silverado 2500 HD	6.6L V8 DSL - w/Panel Filter	77-3047KP <sup>1</sup>	20.2 @ 3158	Silverado 2500 HD	6.6L V8 DSL - LB7	77-3034KP <sup>1</sup>	12.6 @ 3246
		57-3047 <sup>1</sup>	20.1 @ 3157			57-3034 <sup>1</sup>	16.3 @ 3246
Silverado 2500 HD	6.6L V8 DSL - w/Round Filter	57-3057 <sup>1</sup>	22.1 @ 2860	Silverado 2500 HD	6.6L V8 DSL - LLY	57-3047 <sup>1</sup>	20.1 @ 3157
		57-3000 <sup>1</sup>	15.4 @ 2911			77-3047KP <sup>1</sup>	20.2 @ 3158
Silverado 2500 HD	8.1L V8 F/I	57-3030-1 <sup>1</sup>	17.3 @ 4559	Silverado 2500 HD	8.1L V8 F/I	57-3030-1 <sup>1</sup>	17.3 @ 4559
Silverado 3500	6.0L V8 F/I	57-3031-1 <sup>1</sup>	20.3 @ 4894	Silverado 3500	6.0L V8 F/I	57-3031-1 <sup>1</sup>	20.3 @ 4894
		77-3031KP <sup>1</sup>	17.5 @ 5024			77-3031KP <sup>1</sup>	17.5 @ 5024
Silverado 3500	6.6L V8 DSL - w/Panel Filter	57-3047 <sup>1</sup>	20.1 @ 3157	Silverado 3500	6.6L V8 DSL - LB7	57-3034 <sup>1</sup>	16.3 @ 2750
		77-3047KP <sup>1</sup>	20.2 @ 3158			77-3034KP <sup>1</sup>	12.6 @ 3246
Silverado 3500	6.6L V8 DSL - w/Round Filter	57-3000 <sup>1</sup>	15.4 @ 2911	Silverado 3500	6.6L V8 DSL - LLY	57-3047 <sup>1</sup>	20.1 @ 3157
		57-3057 <sup>1</sup>	22.1 @ 2860			77-3047KP <sup>1</sup>	20.2 @ 3158
Silverado 3500	8.1L V8 F/I	57-3030-1 <sup>1</sup>	17.3 @ 4559	Silverado 3500	8.1L V8 F/I	57-3030-1 <sup>1</sup>	17.3 @ 4559
Silverado SS	6.0L V8 F/I	57-3050 <sup>1</sup>	11.9 @ 5367	Silverado SS	6.0L V8 F/I	57-3023-1 <sup>1</sup>	14.3 @ 5018
		77-3050KP <sup>1</sup>	8.4 @ 5336			77-3023KP <sup>1</sup>	14.1 @ 4897
SSR	6.0L V8 F/I	57-3055 <sup>1</sup>	13.8 @ 4700	SSR	5.3L V8 F/I	57-3046 <sup>1</sup>	5.4 @ 5200
Suburban 1500	5.3L V8 F/I	57-3050 <sup>1</sup>	11.9 @ 5367	Suburban 1500	5.3L V8 F/I	77-3023KP <sup>1</sup>	14.1 @ 4897
		77-3050KP <sup>1</sup>	8.4 @ 5336			57-3023-1 <sup>1</sup>	14.3 @ 5018
Suburban 2500	6.0L V8 F/I	57-3023KP <sup>1</sup>	14.1 @ 4897	Suburban 2500	6.0L V8 F/I	77-3023KP <sup>1</sup>	14.1 @ 4897
		57-3023-1 <sup>1</sup>	14.3 @ 5018			57-3023-1 <sup>1</sup>	14.3 @ 5018
Suburban 2500	8.1L V8 F/I	57-3032 <sup>1</sup>	13.0 @ 4231	Suburban 2500	8.1L V8 F/I	57-3032 <sup>1</sup>	13.0 @ 4231
Tahoe	4.8L V8 F/I	77-3050KP <sup>1</sup>	8.4 @ 5336	Tahoe	4.8L V8 F/I	77-3023KP <sup>1</sup>	14.1 @ 4897
		57-3050 <sup>1</sup>	11.9 @ 5367			57-3023-1 <sup>1</sup>	14.3 @ 5018
Tahoe	5.3L V8 F/I	57-3050 <sup>1</sup>	11.9 @ 5367	Tahoe	5.3L V8 F/I	77-3023KP <sup>1</sup>	14.1 @ 4897
		77-3050KP <sup>1</sup>	8.4 @ 5336			57-3023-1 <sup>1</sup>	14.3 @ 5018
TrailBlazer	4.2L L6 F/I	77-3036KP <sup>1</sup>	10.9 @ 5474	TrailBlazer	4.2L L6 F/I	77-3036KP <sup>1</sup>	10.9 @ 5474
		57-3036 <sup>1</sup>	9.3 @ 5623			57-3036 <sup>1</sup>	9.3 @ 5623
TrailBlazer	4.2L V6 F/I	57-3036 <sup>1</sup>	9.3 @ 5623	TrailBlazer	4.2L V6 F/I	77-3036KP <sup>1</sup>	10.9 @ 5474
		77-3036KP <sup>1</sup>	10.9 @ 5474			57-3036 <sup>1</sup>	9.3 @ 5623
				TrailBlazer	5.3L V8 F/I	57-3048 <sup>1</sup>	19.3 @ 5133
<b>2003 CHEVROLET</b>				<b>2003 CHEVROLET</b>			
Avalanche 1500	5.3L V8 F/I	77-3023KP <sup>1</sup>	14.1 @ 4897	Avalanche 1500	5.3L V8 F/I	77-3023KP <sup>1</sup>	14.1 @ 4897
		57-3033 <sup>1</sup>	10.2 @ 5244			57-3033 <sup>1</sup>	10.2 @ 5244

1) Street legal in all US states. 2) Street legal in most states, but not legal for use in California or other states with similar emission control regulations.

\* Estimated horsepower gains are based on specific or similar vehicle dyno tests. Results will vary. See Page 81 for more information. Partial Listing - Complete List of Vehicles and Applications at [knfilters.com](http://knfilters.com). See page 82 for information on intake tube materials/colors.

# CHEVROLET

# Intake Systems

Vehicle	Engine Type	Intake Kit	Estimated Horsepower*	Vehicle	Engine Type	Intake Kit	Estimated Horsepower*
<b>2003 CHEVROLET</b>				<b>2002 CHEVROLET</b>			
Avalanche 2500	8.1L V8 F/I	57-3032 <sup>1</sup>	13.0 @ 4231	S10 Pickup	2.2L L4 F/I	57-3025-1 <sup>1</sup>	6.7 @ 4700
Blazer	4.3L V6 F/I	57-3017-2 <sup>1</sup>	7.4 @ 4671	S10 Pickup	4.3L V6 F/I	57-3017-2 <sup>1</sup>	7.4 @ 4671
Cavalier	2.2L L4 F/I	69-4510TS <sup>1</sup>	5.4 @ 5223	Silverado 1500	4.3L V6 F/I	57-3038 <sup>1</sup>	8.2 @ 4544
Cavalier Ecotec	2.2L L4 F/I	69-4510TS <sup>1</sup>	5.4 @ 5223	Silverado 1500	4.8L V8 F/I	57-3021-1 <sup>1</sup>	9.1 @ 5352
Corvette	5.7L V8 F/I	57-3035 <sup>1</sup>	11.4 @ 4700	Silverado 1500	5.3L V8 F/I	77-3021KP <sup>1</sup>	8.2 @ 5067
Corvette Z06	5.7L V8 F/I	63-1050 <sup>2</sup>	11.4 @ 4700	Silverado 1500	5.3L V8 F/I	77-3021KP <sup>1</sup>	8.2 @ 5067
Impala	3.8L V6 F/I	57-3045 <sup>1</sup>	13.3 @ 5224	Silverado 1500	6.0L V8 F/I	57-3021-1 <sup>1</sup>	9.1 @ 5352
Monte Carlo	3.8L V6 F/I	57-3045 <sup>1</sup>	13.3 @ 5224	Silverado 1500 HD	6.0L V8 F/I	77-3023KP <sup>1</sup>	14.1 @ 4897
S10 Pickup	2.2L L4 F/I	57-3025-1 <sup>1</sup>	6.7 @ 4700	Silverado 1500	6.0L V8 F/I	57-3023-1 <sup>1</sup>	14.3 @ 5018
S10 Pickup	4.3L V6 F/I	57-3017-2 <sup>1</sup>	7.4 @ 4671	Silverado 2500	6.0L V8 F/I	77-3023KP <sup>1</sup>	14.1 @ 4897
Silverado 1500	4.3L V6 F/I	57-3038 <sup>1</sup>	8.2 @ 4544	Silverado 2500	6.0L V8 F/I	57-3023-1 <sup>1</sup>	14.3 @ 5018
Silverado 1500	4.8L V8 F/I	57-3021-1 <sup>1</sup>	9.1 @ 5352	Silverado 2500 HD	6.0L V8 F/I	57-3031-1 <sup>1</sup>	20.3 @ 4894
		77-3021KP <sup>1</sup>	8.2 @ 5067	Silverado 2500 HD	6.0L V8 F/I	77-3031KP <sup>1</sup>	17.5 @ 5024
Silverado 1500	5.3L V8 F/I	77-3021KP <sup>1</sup>	8.2 @ 5067	Silverado 2500 HD	6.6L V8 DSL	77-3034KP <sup>1</sup>	12.6 @ 3246
		57-3021-1 <sup>1</sup>	9.1 @ 5352	Silverado 2500 HD	8.1L V8 F/I	57-3034 <sup>1</sup>	16.3 @ 2750
Silverado 1500 HD	6.0L V8 F/I	77-3023KP <sup>1</sup>	14.1 @ 4897	Silverado 2500 HD	8.1L V8 F/I	57-3030-1 <sup>1</sup>	17.3 @ 4559
		57-3023-1 <sup>1</sup>	14.3 @ 5018	Silverado 3500	6.0L V8 F/I	77-3031KP <sup>1</sup>	17.5 @ 5024
Silverado 2500	6.0L V8 F/I	77-3023KP <sup>1</sup>	14.1 @ 4897	Silverado 3500	6.6L V8 DSL	57-3031-1 <sup>1</sup>	20.3 @ 4894
		57-3023-1 <sup>1</sup>	14.3 @ 5018	Silverado 3500	6.6L V8 DSL	57-3034 <sup>1</sup>	16.3 @ 2750
Silverado 2500 HD	6.0L V8 F/I	77-3031KP <sup>1</sup>	17.5 @ 5024	Silverado 3500	8.1L V8 F/I	77-3034KP <sup>1</sup>	12.6 @ 3246
		57-3031-1 <sup>1</sup>	20.3 @ 4894	Suburban 1500	5.3L V8 F/I	57-3030-1 <sup>1</sup>	17.3 @ 4559
Silverado 2500 HD	6.6L V8 DSL	77-3034KP <sup>1</sup>	12.6 @ 3246	Suburban 1500	5.7L V8 F/I	77-3023KP <sup>1</sup>	14.1 @ 4897
		57-3034 <sup>1</sup>	16.3 @ 2750	Suburban 2500	6.0L V8 F/I	57-3023-1 <sup>1</sup>	14.3 @ 5018
Silverado 2500 HD	8.1L V8 F/I	57-3030-1 <sup>1</sup>	17.3 @ 4559	Suburban 2500	6.0L V8 F/I	57-3013-2 <sup>2</sup>	9.5 @ 4918
Silverado 3500	6.0L V8 F/I	77-3031KP <sup>1</sup>	17.5 @ 5024	Suburban 2500	6.0L V8 F/I	57-3023-1 <sup>1</sup>	14.3 @ 5018
		57-3031-1 <sup>1</sup>	20.3 @ 4894	Suburban 2500	8.1L V8 F/I	77-3023KP <sup>1</sup>	14.1 @ 4897
Silverado 3500	6.6L V8 DSL	57-3034 <sup>1</sup>	16.3 @ 2750	Suburban 2500	8.1L V8 F/I	57-3032 <sup>1</sup>	13.0 @ 4231
		77-3034KP <sup>1</sup>	12.6 @ 3246	Tahoe	4.8L V8 F/I	57-3023-1 <sup>1</sup>	14.3 @ 5018
Silverado 3500	8.1L V8 F/I	57-3030-1 <sup>1</sup>	17.3 @ 4559	Tahoe	5.3L V8 F/I	77-3023KP <sup>1</sup>	14.1 @ 4897
Silverado SS	6.0L V8 F/I	57-3023-1 <sup>1</sup>	14.3 @ 5018	Tahoe	5.3L V8 F/I	57-3023-1 <sup>1</sup>	14.3 @ 5018
		77-3023KP <sup>1</sup>	14.1 @ 4897	TrailBlazer	4.2L L6 F/I	57-3036 <sup>1</sup>	9.3 @ 5623
SSR	5.3L V8 F/I	57-3046 <sup>1</sup>	5.4 @ 5200	TrailBlazer	4.2L V6 F/I	77-3036KP <sup>1</sup>	10.9 @ 5474
Suburban 1500	5.3L V8 F/I	77-3023KP <sup>1</sup>	14.1 @ 4897	TrailBlazer	4.2L V6 F/I	77-3036KP <sup>1</sup>	10.9 @ 5474
		57-3023-1 <sup>1</sup>	14.3 @ 5018			57-3036 <sup>1</sup>	9.3 @ 5623
Suburban 2500	6.0L V8 F/I	77-3023KP <sup>1</sup>	14.1 @ 4897	<b>2001 CHEVROLET</b>			
		57-3023-1 <sup>1</sup>	14.3 @ 5018	Blazer	4.3L V6 F/I	57-3017-2 <sup>1</sup>	7.4 @ 4671
Suburban 2500	8.1L V8 F/I	57-3032 <sup>1</sup>	13.0 @ 4231	Blazer	4.3L V6 F/I	57-3041 <sup>1</sup>	6.8 @ 5066
Tahoe	4.8L V8 F/I	77-3023KP <sup>1</sup>	14.1 @ 4897	Blazer	5.7L V8 F/I	57-3022-2 <sup>1</sup>	14.7 @ 5300
		57-3023-1 <sup>1</sup>	14.3 @ 5018	Blazer	5.7L V8 F/I	57-3035 <sup>1</sup>	11.4 @ 4700
Tahoe	5.3L V8 F/I	57-3023-1 <sup>1</sup>	14.3 @ 5018	Blazer	5.7L V8 F/I	63-1050 <sup>2</sup>	11.4 @ 4700
		77-3023KP <sup>1</sup>	14.1 @ 4897	Blazer	5.7L V8 F/I	57-3045 <sup>1</sup>	13.3 @ 5224
TrailBlazer	4.2L L6 F/I	77-3036KP <sup>1</sup>	10.9 @ 5474	Blazer	5.7L V8 F/I	57-3045 <sup>1</sup>	13.3 @ 5224
		57-3036 <sup>1</sup>	9.3 @ 5623	Blazer	5.7L V8 F/I	57-3025-1 <sup>1</sup>	6.7 @ 4700
TrailBlazer	4.2L V6 F/I	57-3036 <sup>1</sup>	9.3 @ 5623	Blazer	5.7L V8 F/I	57-3017-2 <sup>1</sup>	7.4 @ 4671
		77-3036KP <sup>1</sup>	10.9 @ 5474	Blazer	5.7L V8 F/I	57-3038 <sup>1</sup>	8.2 @ 4544
TrailBlazer	5.3L V8 F/I	57-3048 <sup>1</sup>	19.3 @ 5133	Silverado 1500	4.3L V6 F/I	57-3021-1 <sup>1</sup>	9.1 @ 5352
				Silverado 1500	4.8L V8 F/I	77-3021KP <sup>1</sup>	8.2 @ 5067
<b>2002 CHEVROLET</b>				Silverado 1500	4.8L V8 F/I	77-3021KP <sup>1</sup>	8.2 @ 5067
Avalanche 1500	5.3L V8 F/I	77-3023KP <sup>1</sup>	14.1 @ 4897	Silverado 1500	5.3L V8 F/I	57-3021-1 <sup>1</sup>	9.1 @ 5352
		57-3033 <sup>1</sup>	10.2 @ 5244	Silverado 1500	5.3L V8 F/I	77-3021KP <sup>1</sup>	8.2 @ 5067
Avalanche 2500	8.1L V8 F/I	57-3032 <sup>1</sup>	13.0 @ 4231	Silverado 1500	6.0L V8 F/I	57-3021-1 <sup>1</sup>	9.1 @ 5352
Blazer	4.3L V6 F/I	57-3017-2 <sup>1</sup>	7.4 @ 4671	Silverado 1500 HD	6.0L V8 F/I	77-3023KP <sup>1</sup>	14.1 @ 4897
Blazer	4.3L V6 F/I	57-3041 <sup>1</sup>	6.8 @ 5066	Silverado 1500 HD	6.0L V8 F/I	57-3023-1 <sup>1</sup>	14.3 @ 5018
Blazer	5.7L V8 F/I	57-3022-2 <sup>1</sup>	14.7 @ 5300	Silverado 2500	6.0L V8 F/I	57-3023-1 <sup>1</sup>	14.3 @ 5018
Cavalier Ecotec	2.2L L4 F/I	69-4510TS <sup>1</sup>	5.4 @ 5223	Silverado 2500	6.0L V8 F/I	77-3023KP <sup>1</sup>	14.1 @ 4897
Corvette	5.7L V8 F/I	57-3035 <sup>1</sup>	11.4 @ 4700	Silverado 2500 HD	6.0L V8 F/I	77-3031KP <sup>1</sup>	17.5 @ 5024
Corvette Z06	5.7L V8 F/I	63-1050 <sup>2</sup>	11.4 @ 4700	Silverado 2500 HD	6.0L V8 F/I	57-3031-1 <sup>1</sup>	20.3 @ 4894
Impala	3.8L V6 F/I	57-3045 <sup>1</sup>	13.3 @ 5224	Silverado 2500 HD	6.6L V8 DSL	57-3034 <sup>1</sup>	16.3 @ 2750
Monte Carlo	3.8L V6 F/I	57-3045 <sup>1</sup>	13.3 @ 5224			77-3034KP <sup>1</sup>	12.6 @ 3246

1) Street legal in all US states. 2) Street legal in most states, but not legal for use in California or other states with similar emission control regulations.

\* Estimated horsepower gains are based on specific or similar vehicle dyno tests. Results will vary. See Page 81 for more information.

Partial Listing - Complete List of Vehicles and Applications at knfilters.com. See page 82 for information on intake tube materials/colors.

# Intake Systems

# CHEVROLET

Vehicle	Engine Type	Intake Kit	Estimated Horsepower*	Vehicle	Engine Type	Intake Kit	Estimated Horsepower*
<b>2001 CHEVROLET</b>				<b>1999 CHEVROLET</b>			
Silverado 2500 HD	8.1L V8 F/I	57-3030-1 <sup>1</sup>	17.3 @ 4559	C2500	7.4L V8 F/I	57-3016-1 <sup>1</sup>	21.5 @ 4078
Silverado 3500	6.0L V8 F/I	77-3031KP <sup>1</sup>	17.5 @ 5024	C2500 Suburban	5.7L V8 F/I	57-3013-2 <sup>1</sup>	9.5 @ 4918
		57-3031-1 <sup>1</sup>	20.3 @ 4894	C2500 Suburban	7.4L V8 F/I	57-3016-1 <sup>1</sup>	21.5 @ 4078
Silverado 3500	6.6L V8 DSL	77-3034KP <sup>1</sup>	12.6 @ 3246	C3500	5.7L V8 F/I	57-3013-2 <sup>1</sup>	9.5 @ 4918
		57-3034 <sup>1</sup>	16.3 @ 2750	C3500	7.4L V8 F/I	57-3016-1 <sup>1</sup>	21.5 @ 4078
Silverado 3500	8.1L V8 F/I	57-3030-1 <sup>1</sup>	17.3 @ 4559	Camaro	3.8L V6 F/I	57-3041 <sup>1</sup>	6.8 @ 5066
Suburban 1500	5.3L V8 F/I	57-3023-1 <sup>1</sup>	14.3 @ 5018	Camaro	5.7L V8 F/I	57-3022-2 <sup>1</sup>	14.7 @ 5300
		77-3023KP <sup>1</sup>	14.1 @ 4897	Corvette	5.7L V8 F/I	57-3020 <sup>1</sup>	18.3 @ 5500
Suburban 1500	5.7L V8 F/I	57-3013-2 <sup>2</sup>	9.5 @ 4918	K1500	5.0L V8 F/I	57-3013-2 <sup>1</sup>	9.5 @ 4918
Suburban 2500	6.0L V8 F/I	77-3023KP <sup>1</sup>	14.1 @ 4897	K1500	5.7L V8 F/I	57-3013-2 <sup>1</sup>	9.5 @ 4918
		57-3023-1 <sup>1</sup>	14.3 @ 5018	K1500 Suburban	5.7L V8 F/I	57-3013-2 <sup>1</sup>	9.5 @ 4918
Suburban 2500	8.1L V8 F/I	57-3032 <sup>1</sup>	13.0 @ 4231	K2500	5.7L V8 F/I	57-3013-2 <sup>1</sup>	9.5 @ 4918
Tahoe	4.8L V8 F/I	77-3023KP <sup>1</sup>	14.1 @ 4897	K2500	7.4L V8 F/I	57-3016-1 <sup>1</sup>	21.5 @ 4078
		57-3023-1 <sup>1</sup>	14.3 @ 5018	K2500 Suburban	5.7L V8 F/I	57-3013-2 <sup>1</sup>	9.5 @ 4918
Tahoe	5.3L V8 F/I	77-3023KP <sup>1</sup>	14.1 @ 4897	K2500 Suburban	7.4L V8 F/I	57-3016-1 <sup>1</sup>	21.5 @ 4078
		57-3023-1 <sup>1</sup>	14.3 @ 5018	K3500	5.7L V8 F/I	57-3013-2 <sup>1</sup>	9.5 @ 4918
<b>2000 CHEVROLET</b>				<b>1998 CHEVROLET</b>			
Blazer	4.3L V6 F/I	57-3017-2 <sup>1</sup>	7.4 @ 4671	K3500	7.4L V8 F/I	57-3016-1 <sup>1</sup>	21.5 @ 4078
C2500	5.7L V8 F/I	57-3013-2 <sup>1</sup>	9.5 @ 4918	S10 Pickup	2.2L L4 F/I	57-3025-1 <sup>1</sup>	6.7 @ 4700
C2500	7.4L V8 F/I	57-3016-1 <sup>1</sup>	21.5 @ 4078	S10 Pickup	4.3L V6 F/I	57-3017-2 <sup>1</sup>	7.4 @ 4671
C3500	5.7L V8 F/I	57-3013-2 <sup>1</sup>	9.5 @ 4918	Silverado 1500	4.3L V6 F/I	57-3038 <sup>1</sup>	8.2 @ 4544
C3500	7.4L V8 F/I	57-3016-1 <sup>1</sup>	21.5 @ 4078	Silverado 1500	4.8L V8 F/I	77-3021KP <sup>1</sup>	8.2 @ 5067
Camaro	3.8L V6 F/I	57-3041 <sup>1</sup>	6.8 @ 5066	Silverado 1500	5.3L V8 F/I	57-3021-1 <sup>1</sup>	9.1 @ 5352
Camaro	5.7L V8 F/I	57-3022-2 <sup>1</sup>	14.7 @ 5300	Silverado 1500	5.3L V8 F/I	77-3021KP <sup>1</sup>	8.2 @ 5067
Corvette	5.7L V8 F/I	57-3020 <sup>1</sup>	18.3 @ 5500	Silverado 2500	5.3L V8 F/I	57-3021-1 <sup>1</sup>	9.1 @ 5352
Impala	3.8L V6 F/I	57-3045 <sup>1</sup>	13.3 @ 5224	Silverado 2500	6.0L V8 F/I	77-3023KP <sup>1</sup>	14.1 @ 4897
K2500	5.7L V8 F/I	57-3013-2 <sup>1</sup>	9.5 @ 4918	Silverado 2500	6.0L V8 F/I	57-3023-1 <sup>1</sup>	14.3 @ 5018
K2500	7.4L V8 F/I	57-3016-1 <sup>1</sup>	21.5 @ 4078	Tahoe	5.7L V8 F/I	57-3023-1 <sup>1</sup>	14.3 @ 5018
K3500	5.7L V8 F/I	57-3013-2 <sup>1</sup>	9.5 @ 4918			57-3013-2 <sup>1</sup>	9.5 @ 4918
K3500	7.4L V8 F/I	57-3016-1 <sup>1</sup>	21.5 @ 4078	<b>1998 CHEVROLET</b>			
Monte Carlo	3.8L V6 F/I	57-3045 <sup>1</sup>	13.3 @ 5224	Blazer	4.3L V6 F/I	57-3017-2 <sup>1</sup>	7.4 @ 4671
S10 Pickup	2.2L L4 F/I	57-3025-1 <sup>1</sup>	6.7 @ 4700	C1500	4.3L V6 F/I	57-3039 <sup>1</sup>	6.0 @ 4476
S10 Pickup	4.3L V6 F/I	57-3017-2 <sup>1</sup>	7.4 @ 4672	C1500	5.0L V8 F/I	57-3013-2 <sup>1</sup>	9.5 @ 4918
Silverado 1500	4.3L V6 F/I	57-3038 <sup>1</sup>	8.2 @ 4544	C1500	5.7L V8 F/I	57-3013-2 <sup>1</sup>	9.5 @ 4918
Silverado 1500	4.8L V8 F/I	77-3021KP <sup>1</sup>	8.2 @ 5067	C1500 Suburban	5.7L V8 F/I	57-3013-2 <sup>1</sup>	9.5 @ 4918
		57-3021-1 <sup>1</sup>	9.1 @ 5352	C2500	5.7L V8 F/I	57-3013-2 <sup>1</sup>	9.5 @ 4918
Silverado 1500	5.3L V8 F/I	77-3021KP <sup>1</sup>	8.2 @ 5067	C2500	7.4L V8 F/I	57-3016-1 <sup>1</sup>	21.5 @ 4078
		57-3021-1 <sup>1</sup>	9.1 @ 5352	C2500 Suburban	5.7L V8 F/I	57-3013-2 <sup>1</sup>	9.5 @ 4918
Silverado 2500	5.3L V8 F/I	77-3023KP <sup>1</sup>	14.1 @ 4897	C2500 Suburban	7.4L V8 F/I	57-3016-1 <sup>1</sup>	21.5 @ 4078
		57-3023-1 <sup>1</sup>	14.3 @ 5018	C3500	5.7L V8 F/I	57-3013-2 <sup>1</sup>	9.5 @ 4918
Silverado 2500	6.0L V8 F/I	77-3023KP <sup>1</sup>	14.1 @ 4897	C3500	7.4L V8 F/I	57-3016-1 <sup>1</sup>	21.5 @ 4078
		57-3023-1 <sup>1</sup>	14.3 @ 5018	Camaro	5.7L V8 F/I	57-3022-2 <sup>1</sup>	14.7 @ 5300
Suburban 1500	5.3L V8 F/I	57-3023-1 <sup>1</sup>	14.3 @ 5018	Corvette	5.7L V8 F/I	57-3020 <sup>1</sup>	18.3 @ 5500
		77-3023KP <sup>1</sup>	8.2 @ 5067	K1500	5.0L V8 F/I	57-3013-2 <sup>1</sup>	9.5 @ 4918
Suburban 1500	5.7L V8 F/I	57-3013-2 <sup>1</sup>	9.5 @ 4918	K1500	5.7L V8 F/I	57-3013-2 <sup>1</sup>	9.5 @ 4918
Suburban 2500	6.0L V8 F/I	57-3023-1 <sup>1</sup>	14.3 @ 5018	K1500 Suburban	5.7L V8 F/I	57-3013-2 <sup>1</sup>	9.5 @ 4918
		77-3023KP <sup>1</sup>	14.1 @ 4897	K2500	5.7L V8 F/I	57-3013-2 <sup>1</sup>	9.5 @ 4918
Tahoe	4.8L V8 F/I	77-3023KP <sup>1</sup>	14.1 @ 4897	K2500	7.4L V8 F/I	57-3016-1 <sup>1</sup>	21.5 @ 4078
		57-3023-1 <sup>1</sup>	14.3 @ 5018	K2500 Suburban	5.7L V8 F/I	57-3013-2 <sup>1</sup>	9.5 @ 4918
Tahoe	5.3L V8 F/I	77-3023KP <sup>1</sup>	14.1 @ 4897	K2500 Suburban	7.4L V8 F/I	57-3016-1 <sup>1</sup>	21.5 @ 4078
		57-3023-1 <sup>1</sup>	14.3 @ 5018	K3500	5.7L V8 F/I	57-3013-2 <sup>1</sup>	9.5 @ 4918
Tahoe	5.7L V8 F/I	57-3013-2 <sup>1</sup>	9.5 @ 4918	K3500	7.4L V8 F/I	57-3016-1 <sup>1</sup>	21.5 @ 4078
<b>1999 CHEVROLET</b>				<b>1997 CHEVROLET</b>			
Blazer	4.3L V6 F/I	57-3017-2 <sup>1</sup>	7.4 @ 4671	S10 Pickup	2.2L L4 F/I	57-3025-1 <sup>1</sup>	6.7 @ 4700
C1500	5.0L V8 F/I	57-3013-2 <sup>1</sup>	9.5 @ 4918	S10 Pickup	4.3L V6 F/I	57-3017-2 <sup>1</sup>	7.4 @ 4671
C1500	5.7L V8 F/I	57-3013-2 <sup>1</sup>	9.5 @ 4918	Tahoe	5.7L V8 F/I	57-3013-2 <sup>1</sup>	9.5 @ 4918
C1500 Suburban	5.7L V8 F/I	57-3013-2 <sup>1</sup>	9.5 @ 4918	<b>1997 CHEVROLET</b>			
C2500	5.7L V8 F/I	57-3013-2 <sup>1</sup>	9.5 @ 4918	Blazer	4.3L V6 F/I	57-3017-2 <sup>1</sup>	7.4 @ 4671
		57-3013-2 <sup>1</sup>	9.5 @ 4918	C1500	4.3L V6 F/I	57-3039 <sup>1</sup>	6.0 @ 4476

1) Street legal in all US states. 2) Street legal in most states, but not legal for use in California or other states with similar emission control regulations.

\* Estimated horsepower gains are based on specific or similar vehicle dyno tests. Results will vary. See Page 81 for more information. Partial Listing - Complete List of Vehicles and Applications at knfilters.com. See page 82 for information on intake tube materials/colors.



# CHEVROLET

# Intake Systems

Vehicle	Engine Type	Intake Kit	Estimated Horsepower*	Vehicle	Engine Type	Intake Kit	Estimated Horsepower*
<b>1997 CHEVROLET</b>				<b>1995 CHEVROLET</b>			
<b>C1500</b>	5.0L V8 F/I	57-3013-2 <sup>1</sup>	9.5 @ 4918	<b>C1500 Suburban</b>	5.7L V8 F/I	57-3026 <sup>1</sup>	10.3 @ 4237
<b>C1500</b>	5.7L V8 F/I	57-3013-2 <sup>1</sup>	9.5 @ 4918	<b>C2500</b>	5.7L V8 F/I	63-1007-1 <sup>2</sup>	6.7 @ 4107
<b>C1500 Suburban</b>	5.7L V8 F/I	57-3013-2 <sup>1</sup>	9.5 @ 4918			57-3026 <sup>1</sup>	10.3 @ 4237
<b>C2500</b>	5.7L V8 F/I	57-3013-2 <sup>1</sup>	9.5 @ 4918	<b>C2500</b>	7.4L V8 F/I	57-3027 <sup>1</sup>	7.4 @ 3571
<b>C2500</b>	7.4L V8 F/I	57-3016-1 <sup>1</sup>	21.5 @ 4078	<b>C2500 Suburban</b>	5.7L V8 F/I	63-1007-1 <sup>2</sup>	6.7 @ 4107
<b>C2500 Suburban</b>	5.7L V8 F/I	57-3013-2 <sup>1</sup>	9.5 @ 4918			57-3026 <sup>1</sup>	10.3 @ 4237
<b>C2500 Suburban</b>	7.4L V8 F/I	57-3016-1 <sup>1</sup>	21.5 @ 4078	<b>C2500 Suburban</b>	7.4L V8 F/I	63-1007-1 <sup>2</sup>	6.7 @ 4107
<b>C3500</b>	5.7L V8 F/I	57-3013-2 <sup>1</sup>	9.5 @ 4918			57-3027 <sup>1</sup>	7.4 @ 3571
<b>C3500</b>	7.4L V8 F/I	57-3016-1 <sup>1</sup>	21.5 @ 4078	<b>C2500 Suburban</b>	7.4L V8 F/I - w/o heat stove	57-3014 <sup>1</sup>	17.6 @ 3811
<b>Camaro</b>	5.7L V8 F/I - w/o ram air or traction control	57-3010-1 <sup>1</sup>	18.3 @ 5331	<b>C3500</b>	5.7L V8 F/I	57-3026 <sup>1</sup>	10.3 @ 4237
<b>Corvette</b>	5.7L V8 F/I	57-3020 <sup>1</sup>	18.3 @ 5500			63-1007-1 <sup>2</sup>	6.7 @ 4107
<b>K1500</b>	4.3L V6 F/I	57-3039 <sup>1</sup>	6.0 @ 4476	<b>C3500</b>	7.4L V8 F/I	57-3027 <sup>1</sup>	7.4 @ 3571
<b>K1500</b>	5.0L V8 F/I	57-3013-2 <sup>1</sup>	9.5 @ 4918			63-1007-1 <sup>2</sup>	6.7 @ 4107
<b>K1500</b>	5.7L V8 F/I	57-3013-2 <sup>1</sup>	9.5 @ 4918	<b>C3500</b>	7.4L V8 F/I - w/o heat stove	57-3014 <sup>1</sup>	17.6 @ 3811
<b>K1500 Suburban</b>	5.7L V8 F/I	57-3013-2 <sup>1</sup>	9.5 @ 4918	<b>Camaro</b>	3.4L V6 F/I - w/o ram air or traction control	57-3010-1 <sup>1</sup>	18.3 @ 5331
<b>K2500</b>	5.7L V8 F/I	57-3013-2 <sup>1</sup>	9.5 @ 4918			57-3010-1 <sup>1</sup>	18.3 @ 5331
<b>K2500</b>	7.4L V8 F/I	57-3016-1 <sup>1</sup>	21.5 @ 4078	<b>Camaro</b>	5.7L V8 F/I - w/o ram air or traction control	57-3010-1 <sup>1</sup>	18.3 @ 5331
<b>K2500 Suburban</b>	5.7L V8 F/I	57-3013-2 <sup>1</sup>	9.5 @ 4918	<b>Caprice</b>	5.7L V8 F/I	57-3011 <sup>1</sup>	18.8 @ 4760
<b>K2500 Suburban</b>	7.4L V8 F/I	57-3016-1 <sup>1</sup>	21.5 @ 4078	<b>Impala SS</b>	5.7L V8 F/I	57-3011 <sup>1</sup>	18.8 @ 4760
<b>K3500</b>	7.4L V8 F/I	57-3016-1 <sup>1</sup>	21.5 @ 4078	<b>K1500</b>	5.0L V8 F/I	63-1007-1 <sup>2</sup>	6.7 @ 4107
<b>S10 Pickup</b>	2.2L L4 F/I	57-3024 <sup>1</sup>	7.5 @ 5224			57-3026 <sup>1</sup>	10.3 @ 4237
<b>S10 Pickup</b>	4.3L V6 F/I	57-3017-2 <sup>1</sup>	7.4 @ 4671	<b>K1500</b>	5.7L V8 F/I	63-1007-1 <sup>2</sup>	6.7 @ 4107
<b>Tahoe</b>	5.7L V8 F/I	57-3013-2 <sup>1</sup>	9.5 @ 4918			57-3026 <sup>1</sup>	10.3 @ 4237
<b>1996 CHEVROLET</b>				<b>K1500 Suburban</b>	5.7L V8 F/I	63-1007-1 <sup>2</sup>	6.7 @ 4107
<b>Blazer</b>	4.3L V6 F/I	57-3017-2 <sup>1</sup>	7.4 @ 4671			57-3026 <sup>1</sup>	10.3 @ 4237
<b>C1500</b>	4.3L V6 F/I	57-3039 <sup>1</sup>	6.0 @ 4476	<b>K2500</b>	5.7L V8 F/I	63-1007-1 <sup>2</sup>	6.7 @ 4107
<b>C1500</b>	5.0L V8 F/I	57-3013-2 <sup>1</sup>	9.5 @ 4916			57-3026 <sup>1</sup>	10.3 @ 4237
<b>C1500</b>	5.7L V8 F/I	57-3013-2 <sup>1</sup>	9.5 @ 4918	<b>K2500</b>	7.4L V8 F/I	57-3027 <sup>1</sup>	7.4 @ 3571
<b>C1500 Suburban</b>	5.7L V8 F/I	57-3013-2 <sup>1</sup>	9.5 @ 4918			63-1007-1 <sup>2</sup>	6.7 @ 4107
<b>C2500</b>	5.7L V8 F/I	57-3013-2 <sup>1</sup>	9.5 @ 4918	<b>K2500</b>	7.4L V8 F/I - w/o heat stove	57-3014 <sup>1</sup>	17.6 @ 3811
<b>C2500 Suburban</b>	5.7L V8 F/I	57-3013-2 <sup>1</sup>	9.5 @ 4918	<b>K2500 Suburban</b>	5.7L V8 F/I	57-3026 <sup>1</sup>	10.3 @ 4237
<b>C2500 Suburban</b>	7.4L V8 F/I	57-3016-1 <sup>1</sup>	21.5 @ 4078			63-1007-1 <sup>2</sup>	6.7 @ 4107
<b>C3500</b>	5.7L V8 F/I	57-3013-2 <sup>1</sup>	9.5 @ 4918	<b>K2500 Suburban</b>	7.4L V8 F/I	57-3027 <sup>1</sup>	7.4 @ 3571
<b>C3500</b>	7.4L V8 F/I	57-3016-1 <sup>1</sup>	21.5 @ 4078			63-1007-1 <sup>2</sup>	6.7 @ 4107
<b>Camaro</b>	5.7L V8 F/I - w/o ram air or traction control	57-3010-1 <sup>1</sup>	18.3 @ 5333	<b>K2500 Suburban</b>	7.4L V8 F/I - w/o heat stove	57-3014 <sup>1</sup>	17.6 @ 3811
<b>Caprice</b>	5.7L V8 F/I	57-3011 <sup>1</sup>	18.8 @ 4760	<b>K3500</b>	5.7L V8 F/I	57-3026 <sup>1</sup>	10.3 @ 4237
<b>Impala SS</b>	5.7L V8 F/I	57-3011 <sup>1</sup>	18.8 @ 4760	<b>K3500</b>	7.4L V8 F/I	57-3027 <sup>1</sup>	7.4 @ 3571
<b>K1500</b>	4.3L V6 F/I	57-3039 <sup>1</sup>	6.0 @ 4476			63-1007-1 <sup>2</sup>	6.7 @ 4107
<b>K1500</b>	5.0L V8 F/I	57-3013-2 <sup>1</sup>	9.5 @ 4916	<b>K3500</b>	7.4L V8 F/I - w/o heat stove	57-3014 <sup>1</sup>	17.6 @ 3811
<b>K1500</b>	5.7L V8 F/I	57-3013-2 <sup>1</sup>	9.5 @ 4918	<b>S10 Pickup</b>	2.2L L4 F/I	57-3024 <sup>1</sup>	7.5 @ 5224
<b>K1500 Suburban</b>	5.7L V8 F/I	57-3013-2 <sup>1</sup>	9.5 @ 4918	<b>S10 Pickup</b>	4.3L V6 CPI	57-3009 <sup>1</sup>	7.1 @ 4571
<b>K2500</b>	5.7L V8 F/I	57-3013-2 <sup>1</sup>	9.5 @ 4918	<b>S10 Pickup</b>	4.3L V6 TBI	57-3029 <sup>1</sup>	4.7 @ 3971
<b>K2500</b>	7.4L V8 F/I	57-3016-1 <sup>1</sup>	21.5 @ 4078	<b>Tahoe</b>	5.7L V8 F/I	63-1007-1 <sup>2</sup>	6.7 @ 4107
<b>K2500 Suburban</b>	5.7L V8 F/I	57-3013-2 <sup>1</sup>	9.5 @ 4918			57-3026 <sup>1</sup>	10.3 @ 4237
<b>K2500 Suburban</b>	7.4L V8 F/I	57-3016-1 <sup>1</sup>	21.5 @ 4078	<b>1994 CHEVROLET</b>			
<b>K3500</b>	5.7L V8 F/I	57-3013-2 <sup>1</sup>	9.5 @ 4918	<b>Blazer</b>	5.7L V8 F/I	57-3026 <sup>1</sup>	10.3 @ 4237
<b>K3500</b>	7.4L V8 F/I	57-3016-1 <sup>1</sup>	21.5 @ 4078			63-1007-1 <sup>2</sup>	6.7 @ 4107
<b>S10 Pickup</b>	2.2L L4 F/I	57-3024 <sup>1</sup>	7.5 @ 5224	<b>C1500</b>	5.0L V8 F/I	63-1007-1 <sup>2</sup>	6.7 @ 4107
<b>S10 Pickup</b>	4.3L V6 F/I	57-3017-2 <sup>1</sup>	7.4 @ 4671			57-3026 <sup>1</sup>	10.3 @ 4237
<b>Tahoe</b>	5.7L V8 F/I	57-3013-2 <sup>1</sup>	9.5 @ 4918	<b>C1500</b>	5.7L V8 F/I	57-3026 <sup>1</sup>	10.3 @ 4237
<b>1995 CHEVROLET</b>						63-1007-1 <sup>2</sup>	6.7 @ 4107
<b>Blazer</b>	4.3L V6 F/I	57-3009 <sup>1</sup>	7.1 @ 4571	<b>C1500 Suburban</b>	5.7L V8 F/I	57-3026 <sup>1</sup>	10.3 @ 4237
<b>C1500</b>	5.0L V8 F/I	63-1007-1 <sup>2</sup>	6.7 @ 4107			63-1007-1 <sup>2</sup>	6.7 @ 4107
		57-3026 <sup>1</sup>	10.3 @ 4237	<b>C2500</b>	5.7L V8 F/I	57-3026 <sup>1</sup>	10.3 @ 4237
<b>C1500</b>	5.7L V8 F/I	63-1007-1 <sup>2</sup>	6.7 @ 4107			63-1007-1 <sup>2</sup>	6.7 @ 4107
		57-3026 <sup>1</sup>	10.3 @ 4237	<b>C2500</b>	7.4L V8 F/I	63-1007-1 <sup>2</sup>	6.7 @ 4107
<b>C1500 Suburban</b>	5.7L V8 F/I	63-1007-1 <sup>2</sup>	6.7 @ 4107			63-1007-1 <sup>2</sup>	6.7 @ 4107

1) Street legal in all US states. 2) Street legal in most states, but not legal for use in California or other states with similar emission control regulations.

\* Estimated horsepower gains are based on specific or similar vehicle dyno tests. Results will vary. See Page 81 for more information.

Partial Listing - Complete List of Vehicles and Applications at knfilters.com. See page 82 for information on intake tube materials/colors.

# Intake Systems

# CHEVROLET

Vehicle	Engine Type	Intake Kit	Estimated Horsepower*	Vehicle	Engine Type	Intake Kit	Estimated Horsepower*
<b>1994 CHEVROLET</b>				<b>1993 CHEVROLET</b>			
<b>C2500</b>	7.4L V8 F/I	57-3027 <sup>1</sup>	7.4 @ 3571	<b>C2500 Suburban</b>	5.7L V8 F/I	57-3026 <sup>1</sup>	10.3 @ 4237
<b>C2500</b>	7.4L V8 F/I - w/o heat stove	57-3014 <sup>1</sup>	17.6 @ 3811	<b>C2500 Suburban</b>	7.4L V8 F/I	63-1007-1 <sup>2</sup>	6.7 @ 4107
<b>C2500 Suburban</b>	5.7L V8 F/I	63-1007-1 <sup>2</sup>	6.7 @ 4107			57-3027 <sup>1</sup>	7.4 @ 3571
		57-3026 <sup>1</sup>	10.3 @ 4237	<b>C2500 Suburban</b>	7.4L V8 F/I - w/o heat stove	57-3014 <sup>1</sup>	17.6 @ 3811
<b>C2500 Suburban</b>	7.4L V8 F/I	63-1007-1 <sup>2</sup>	6.7 @ 4107	<b>C3500</b>	7.4L V8 F/I	57-3027 <sup>1</sup>	7.4 @ 3571
		57-3027 <sup>1</sup>	7.4 @ 3571			63-1007-1 <sup>2</sup>	6.7 @ 4107
<b>C2500 Suburban</b>	7.4L V8 F/I - w/o heat stove	57-3014 <sup>1</sup>	17.6 @ 3811	<b>C3500</b>	7.4L V8 F/I - w/o heat stove	57-3014 <sup>1</sup>	17.6 @ 3811
<b>C3500</b>	5.7L V8 F/I	63-1007-1 <sup>2</sup>	6.7 @ 4107	<b>C3500</b>	5.7L V8 F/I	63-1007-1 <sup>2</sup>	6.7 @ 4107
		57-3026 <sup>1</sup>	10.3 @ 4237	<b>Camaro</b>	3.4L V6 F/I - w/o ram air or traction control	57-3010-1 <sup>1</sup>	18.3 @ 5331
<b>C3500</b>	7.4L V8 F/I	63-1007-1 <sup>2</sup>	6.7 @ 4107	<b>Camaro</b>	5.7L V8 F/I - w/o ram air or traction control	57-3010-1 <sup>1</sup>	18.3 @ 5331
		57-3027 <sup>1</sup>	7.4 @ 3571	<b>K1500</b>	5.0L V8 F/I	63-1007-1 <sup>2</sup>	6.7 @ 4107
<b>C3500</b>	7.4L V8 F/I - w/o heat stove	57-3014 <sup>1</sup>	17.6 @ 3811			57-3026 <sup>1</sup>	10.3 @ 4237
<b>Camaro</b>	3.4L V6 F/I - w/o ram air or traction control	57-3010-1 <sup>1</sup>	18.3 @ 5331	<b>K1500</b>	5.7L V8 F/I	63-1007-1 <sup>2</sup>	6.7 @ 4107
<b>Camaro</b>	5.7L V8 F/I - w/o ram air or traction control	57-3010-1 <sup>1</sup>	18.3 @ 5331	<b>K1500</b>	5.7L V8 F/I	63-1007-1 <sup>2</sup>	6.7 @ 4107
<b>Caprice</b>	5.7L V8 F/I	57-3011 <sup>1</sup>	18.8 @ 4760	<b>K1500 Suburban</b>	5.7L V8 F/I	63-1007-1 <sup>2</sup>	6.7 @ 4107
<b>Impala SS</b>	5.7L V8 F/I	57-3011 <sup>1</sup>	18.8 @ 4760			57-3026 <sup>1</sup>	10.3 @ 4237
<b>K1500</b>	5.0L V8 F/I	63-1007-1 <sup>2</sup>	6.7 @ 4107	<b>K2500</b>	5.7L V8 F/I	63-1007-1 <sup>2</sup>	6.7 @ 4107
		57-3026 <sup>1</sup>	10.3 @ 4237			57-3026 <sup>1</sup>	10.3 @ 4237
<b>K1500</b>	5.7L V8 F/I	63-1007-1 <sup>2</sup>	6.7 @ 4107	<b>K2500 Suburban</b>	5.7L V8 F/I	63-1007-1 <sup>2</sup>	6.7 @ 4107
		57-3026 <sup>1</sup>	10.3 @ 4237			57-3026 <sup>1</sup>	10.3 @ 4237
<b>K1500 Suburban</b>	5.7L V8 F/I	63-1007-1 <sup>2</sup>	6.7 @ 4107	<b>K2500 Suburban</b>	7.4L V8 F/I	63-1007-1 <sup>2</sup>	6.7 @ 4107
		57-3026 <sup>1</sup>	10.3 @ 4237			57-3027 <sup>1</sup>	7.4 @ 3571
<b>K2500</b>	5.7L V8 F/I	63-1007-1 <sup>2</sup>	6.7 @ 4107	<b>K2500 Suburban</b>	7.4L V8 F/I - w/o heat stove	57-3014 <sup>1</sup>	17.6 @ 3811
		57-3026 <sup>1</sup>	10.3 @ 4237			57-3014 <sup>1</sup>	17.6 @ 3811
<b>K2500</b>	7.4L V8 F/I	63-1007-1 <sup>2</sup>	6.7 @ 4107	<b>K3500</b>	7.4L V8 F/I	57-3027 <sup>1</sup>	7.4 @ 3571
		57-3027 <sup>1</sup>	7.4 @ 3571			63-1007-1 <sup>2</sup>	6.7 @ 4107
<b>K2500</b>	7.4L V8 F/I - w/o heat stove	57-3014 <sup>1</sup>	17.6 @ 3811	<b>K3500</b>	7.4L V8 F/I - w/o heat stove	57-3014 <sup>1</sup>	17.6 @ 3811
<b>K2500 Suburban</b>	5.7L V8 F/I	63-1007-1 <sup>2</sup>	6.7 @ 4107	<b>S10 Blazer</b>	4.3L V6 TBI	57-3028 <sup>1</sup>	5.6 @ 3963
		57-3026 <sup>1</sup>	10.3 @ 4237	<b>S10 Pickup</b>	4.3L V6 TBI	57-3028 <sup>1</sup>	5.6 @ 3963
<b>K2500 Suburban</b>	7.4L V8 F/I	63-1007-1 <sup>2</sup>	6.7 @ 4107	<b>1992 CHEVROLET</b>			
		57-3027 <sup>1</sup>	7.4 @ 3571	<b>Blazer</b>	5.7L V8 F/I	57-3026 <sup>1</sup>	10.3 @ 4237
<b>K2500 Suburban</b>	7.4L V8 F/I - w/o heat stove	57-3014 <sup>1</sup>	17.6 @ 3811			63-1007-1 <sup>2</sup>	6.7 @ 4107
		57-3014 <sup>1</sup>	17.6 @ 3811	<b>C1500</b>	5.0L V8 F/I	63-1007-1 <sup>2</sup>	6.7 @ 4107
<b>K3500</b>	7.4L V8 F/I	63-1007-1 <sup>2</sup>	6.7 @ 4107			57-3026 <sup>1</sup>	10.3 @ 4237
		57-3027 <sup>1</sup>	7.4 @ 3571	<b>C1500</b>	5.7L V8 F/I	63-1007-1 <sup>2</sup>	6.7 @ 4107
<b>K3500</b>	7.4L V8 F/I - w/o heat stove	57-3014 <sup>1</sup>	17.6 @ 3811			57-3026 <sup>1</sup>	10.3 @ 4237
<b>S10 Blazer</b>	4.3L V6 TBI	57-3029 <sup>1</sup>	4.7 @ 3971	<b>C1500</b>	7.4L V8 F/I	63-1007-1 <sup>2</sup>	6.7 @ 4107
<b>S10 Pickup</b>	2.2L L4 F/I	57-3024 <sup>1</sup>	7.5 @ 5224			57-3027 <sup>1</sup>	7.4 @ 3571
<b>S10 Pickup</b>	4.3L V6 CPI	57-3009 <sup>1</sup>	7.1 @ 4571	<b>C1500</b>	7.4L V8 F/I - w/o heat stove	57-3014 <sup>1</sup>	17.6 @ 3811
<b>S10 Pickup</b>	4.3L V6 TBI	57-3029 <sup>1</sup>	4.7 @ 3971	<b>C1500 Suburban</b>	5.7L V8 F/I	63-1007-1 <sup>2</sup>	6.7 @ 4107
<b>1993 CHEVROLET</b>						57-3026 <sup>1</sup>	10.3 @ 4237
<b>Blazer</b>	5.7L V8 F/I	63-1007-1 <sup>2</sup>	6.7 @ 4107	<b>C2500</b>	5.7L V8 F/I	63-1007-1 <sup>2</sup>	6.7 @ 4107
		57-3026 <sup>1</sup>	10.3 @ 4237			57-3026 <sup>1</sup>	10.3 @ 4237
<b>C1500</b>	5.0L V8 F/I	63-1007-1 <sup>2</sup>	6.7 @ 4107	<b>C2500 Suburban</b>	5.7L V8 F/I	57-3026 <sup>1</sup>	10.3 @ 4237
		57-3026 <sup>1</sup>	10.3 @ 4237			63-1007-1 <sup>2</sup>	6.7 @ 4107
<b>C1500</b>	5.7L V8 F/I	63-1007-1 <sup>2</sup>	6.7 @ 4107	<b>C3500</b>	7.4L V8 F/I	57-3027 <sup>1</sup>	7.4 @ 3571
		57-3026 <sup>1</sup>	10.3 @ 4237	<b>K1500</b>	5.0L V8 F/I	63-1007-1 <sup>2</sup>	6.7 @ 4107
<b>C1500</b>	7.4L V8 F/I	57-3027 <sup>1</sup>	7.4 @ 3571			57-3026 <sup>1</sup>	10.3 @ 4237
		63-1007-1 <sup>2</sup>	6.7 @ 4107	<b>K1500</b>	5.7L V8 F/I	63-1007-1 <sup>2</sup>	6.7 @ 4107
<b>C1500</b>	7.4L V8 F/I - w/o heat stove	57-3014 <sup>1</sup>	17.6 @ 3811			57-3026 <sup>1</sup>	10.3 @ 4237
<b>C1500 Suburban</b>	5.7L V8 F/I	63-1007-1 <sup>2</sup>	6.7 @ 4107	<b>K1500 Suburban</b>	5.7L V8 F/I	63-1007-1 <sup>2</sup>	6.7 @ 4107
		57-3026 <sup>1</sup>	10.3 @ 4237			57-3026 <sup>1</sup>	10.3 @ 4237
<b>C2500</b>	5.7L V8 F/I	63-1007-1 <sup>2</sup>	6.7 @ 4107	<b>K2500</b>	5.7L V8 F/I	63-1007-1 <sup>2</sup>	6.7 @ 4107
		57-3026 <sup>1</sup>	10.3 @ 4237			57-3026 <sup>1</sup>	10.3 @ 4237
<b>C2500 Suburban</b>	5.7L V8 F/I	63-1007-1 <sup>2</sup>	6.7 @ 4107	<b>K2500 Suburban</b>	5.7L V8 F/I	57-3026 <sup>1</sup>	10.3 @ 4237
		57-3026 <sup>1</sup>	10.3 @ 4237			63-1007-1 <sup>2</sup>	6.7 @ 4107
<b>C2500 Suburban</b>	5.7L V8 F/I	63-1007-1 <sup>2</sup>	6.7 @ 4107	<b>K2500 Suburban</b>	7.4L V8 F/I	63-1007-1 <sup>2</sup>	6.7 @ 4107

1) Street legal in all US states. 2) Street legal in most states, but not legal for use in California or other states with similar emission control regulations.

\* Estimated horsepower gains are based on specific or similar vehicle dyno tests. Results will vary. See Page 81 for more information. Partial Listing - Complete List of Vehicles and Applications at knfilters.com. See page 82 for information on intake tube materials/colors.

# CHEVROLET

# Intake Systems

Vehicle	Engine Type	Intake Kit	Estimated Horsepower*	Vehicle	Engine Type	Intake Kit	Estimated Horsepower*
<b>1992 CHEVROLET</b>				<b>1989 CHEVROLET</b>			
K2500 Suburban	7.4L V8 F/I	57-3027 <sup>1</sup>	7.4 @ 3571	K1500	5.7L V8 F/I	63-1007-1 <sup>2</sup>	6.7 @ 4107
K2500 Suburban	7.4L V8 F/I - w/o heat stove	57-3014 <sup>1</sup>	17.6 @ 3811			57-3026 <sup>1</sup>	10.3 @ 4237
K3500	7.4L V8 F/I	57-3027 <sup>1</sup>	7.4 @ 3571	C2500	5.7L V8 F/I	63-1007-1 <sup>2</sup>	6.7 @ 4107
		63-1007-1 <sup>2</sup>	6.7 @ 4107			57-3026 <sup>1</sup>	10.3 @ 4237
K3500	7.4L V8 F/I - w/o heat stove	57-3014 <sup>1</sup>	17.6 @ 3811	C3500	7.4L V8 F/I	63-1007-1 <sup>2</sup>	6.7 @ 4107
S10 Pickup	4.3L V6 TBI	57-3028 <sup>1</sup>	5.6 @ 3963			57-3027 <sup>1</sup>	7.4 @ 3571
				K1500	5.0L V8 F/I	63-1007-1 <sup>2</sup>	6.7 @ 4107
<b>1991 CHEVROLET</b>						57-3026 <sup>1</sup>	10.3 @ 4237
Blazer	5.7L V8 F/I	63-1007-1 <sup>2</sup>	6.7 @ 4107	K1500	5.7L V8 F/I	63-1007-1 <sup>2</sup>	6.7 @ 4107
C1500	5.0L V8 F/I	63-1007-1 <sup>2</sup>	6.7 @ 4107			57-3026 <sup>1</sup>	10.3 @ 4237
		57-3026 <sup>1</sup>	10.3 @ 4237	K2500	5.7L V8 F/I	63-1007-1 <sup>2</sup>	6.7 @ 4107
C1500	5.7L V8 F/I	63-1007-1 <sup>2</sup>	6.7 @ 4107			57-3026 <sup>1</sup>	10.3 @ 4237
		57-3026 <sup>1</sup>	10.3 @ 4237	K3500	7.4L V8 F/I	57-3027 <sup>1</sup>	7.4 @ 3571
C1500	7.4L V8 F/I	63-1007-1 <sup>2</sup>	6.7 @ 4107	R1500 Suburban	5.7L V8 F/I	63-1007-1 <sup>2</sup>	6.7 @ 4107
		57-3027 <sup>1</sup>	7.4 @ 3571	S10 Blazer	4.3L V6 TBI	57-3028 <sup>1</sup>	5.6 @ 3963
C2500	5.7L V8 F/I	63-1007-1 <sup>2</sup>	6.7 @ 4107	S10 Pickup	4.3L V6 TBI	57-3028 <sup>1</sup>	5.6 @ 3963
		57-3026 <sup>1</sup>	10.3 @ 4237	V1500 Suburban	5.7L V8 F/I	63-1007-1 <sup>2</sup>	6.7 @ 4107
C3500	7.4L V8 F/I	57-3027 <sup>1</sup>	7.4 @ 3571	<b>1988 CHEVROLET</b>			
K1500	5.0L V8 F/I	57-3026 <sup>1</sup>	10.3 @ 4237	Blazer	5.7L V8 F/I	63-1007-1 <sup>2</sup>	6.7 @ 4107
		63-1007-1 <sup>2</sup>	6.7 @ 4107	C1500	5.0L V8 F/I	63-1007-1 <sup>2</sup>	6.7 @ 4107
K1500	5.7L V8 F/I	57-3026 <sup>1</sup>	10.3 @ 4237			57-3026 <sup>1</sup>	10.3 @ 4237
		63-1007-1 <sup>2</sup>	6.7 @ 4107	C1500	5.7L V8 F/I	63-1007-1 <sup>2</sup>	6.7 @ 4107
K2500	5.7L V8 F/I	63-1007-1 <sup>2</sup>	6.7 @ 4107			57-3026 <sup>1</sup>	10.3 @ 4237
		57-3026 <sup>1</sup>	10.3 @ 4237	C2500	5.7L V8 F/I	57-3026 <sup>1</sup>	10.3 @ 4237
K2500	7.4L V8 F/I	57-3027 <sup>1</sup>	7.4 @ 3571			63-1007-1 <sup>2</sup>	6.7 @ 4107
K3500	7.4L V8 F/I	63-1007-1 <sup>2</sup>	6.7 @ 4107	C3500	7.4L V8 F/I	57-3027 <sup>1</sup>	7.4 @ 3571
		57-3027 <sup>1</sup>	7.4 @ 3571	K1500	5.0L V8 F/I	57-3026 <sup>1</sup>	10.3 @ 4237
R1500 Suburban	5.7L V8 F/I	63-1007-1 <sup>2</sup>	6.7 @ 4107			63-1007-1 <sup>2</sup>	6.7 @ 4107
S10 Blazer	4.3L V6 TBI	57-3028 <sup>1</sup>	5.6 @ 3963	K1500	5.7L V8 F/I	57-3026 <sup>1</sup>	10.3 @ 4237
S10 Pickup	4.3L V6 TBI	57-3028 <sup>1</sup>	5.6 @ 3963			63-1007-1 <sup>2</sup>	6.7 @ 4107
<b>1990 CHEVROLET</b>				K2500	5.7L V8 F/I	63-1007-1 <sup>2</sup>	6.7 @ 4107
Blazer	5.7L V8 F/I	63-1007-1 <sup>2</sup>	6.7 @ 4107			57-3026 <sup>1</sup>	10.3 @ 4237
C1500	5.0L V8 F/I	63-1007-1 <sup>2</sup>	6.7 @ 4107	R10 Suburban	5.7L V8 F/I	63-1007-1 <sup>2</sup>	6.7 @ 4107
		57-3026 <sup>1</sup>	10.3 @ 4237	R20 Suburban	5.7L V8 F/I	63-1007-1 <sup>2</sup>	6.7 @ 4107
C1500	5.7L V8 F/I	63-1007-1 <sup>2</sup>	6.7 @ 4107	S10 Blazer	4.3L V6 TBI	57-3028 <sup>1</sup>	5.6 @ 3963
		57-3026 <sup>1</sup>	10.3 @ 4237	S10 Pickup	4.3L V6 TBI	57-3028 <sup>1</sup>	5.6 @ 3963
C1500	7.4L V8 F/I	63-1007-1 <sup>2</sup>	6.7 @ 4107	<b>2010 CHRYSLER</b>			
C2500	5.7L V8 F/I	63-1007-1 <sup>2</sup>	6.7 @ 4107	300	2.7L V6 F/I	63-1544 <sup>2</sup>	7.3 @ 5693
		57-3026 <sup>1</sup>	10.3 @ 4237	300	3.5L V6 F/I	63-1117 <sup>2</sup>	11.7 @ 6215
C3500	7.4L V8 F/I	63-1007-1 <sup>2</sup>	6.7 @ 4107	300C	5.7L V8 F/I	63-1114 <sup>2</sup>	31.4 @ 52
		57-3027 <sup>1</sup>	7.4 @ 3571			69-2526TP <sup>2</sup>	18.2 @ 5217
K1500	5.0L V8 F/I	63-1007-1 <sup>2</sup>	6.7 @ 4107	300C	6.1L V8 F/I	63-1114 <sup>2</sup>	31.4 @ 52
		57-3026 <sup>1</sup>	10.3 @ 4237			69-2526TP <sup>2</sup>	18.2 @ 5217
K1500	5.7L V8 F/I	57-3026 <sup>1</sup>	10.3 @ 4237	PT Cruiser	2.4L L4 F/I - exc. Turbo	63-1550 <sup>2</sup>	7.2 @ 5004
		63-1007-1 <sup>2</sup>	6.7 @ 4107	<b>2009 CHRYSLER</b>			
K2500	5.7L V8 F/I	57-3026 <sup>1</sup>	10.3 @ 4237	300	2.7L V6 F/I	63-1544 <sup>2</sup>	7.3 @ 5693
		63-1007-1 <sup>2</sup>	6.7 @ 4107	300	3.5L V6 F/I	63-1117 <sup>2</sup>	11.7 @ 6215
K3500	7.4L V8 F/I	57-3027 <sup>1</sup>	7.4 @ 3571	300C	5.7L V8 F/I	69-2526TP <sup>2</sup>	18.2 @ 5217
R1500 Suburban	5.7L V8 F/I	63-1007-1 <sup>2</sup>	6.7 @ 4107			63-1114 <sup>2</sup>	31.4 @ 52
S10 Blazer	4.3L V6 TBI	57-3028 <sup>1</sup>	5.6 @ 3963	300C	6.1L V8 F/I	69-2526TP <sup>2</sup>	18.2 @ 5217
S10 Pickup	4.3L V6 TBI	57-3028 <sup>1</sup>	5.6 @ 3963			63-1114 <sup>2</sup>	31.4 @ 52
V1500 Suburban	5.7L V8 F/I	63-1007-1 <sup>2</sup>	6.7 @ 4107	PT Cruiser	2.4L L4 F/I - exc. Turbo	63-1550 <sup>2</sup>	7.2 @ 5004
V2500 Suburban	5.7L V8 F/I	63-1007-1 <sup>2</sup>	6.7 @ 4107	<b>2008 CHRYSLER</b>			
<b>1989 CHEVROLET</b>				300	2.7L V6 F/I	63-1544 <sup>2</sup>	7.3 @ 5693
Blazer	5.7L V8 F/I	63-1007-1 <sup>2</sup>	6.7 @ 4107	300	3.5L V6 F/I	63-1117 <sup>2</sup>	11.7 @ 6215
C1500	5.0L V8 F/I	63-1007-1 <sup>2</sup>	6.7 @ 4107	300C	5.7L V8 F/I	69-2526TP <sup>2</sup>	18.2 @ 5217
		57-3026 <sup>1</sup>	10.3 @ 4237			63-1114 <sup>2</sup>	31.4 @ 52

1) Street legal in all US states. 2) Street legal in most states, but not legal for use in California or other states with similar emission control regulations.

\* Estimated horsepower gains are based on specific or similar vehicle dyno tests. Results will vary. See Page 81 for more information.

Partial Listing - Complete List of Vehicles and Applications at knfilters.com. See page 82 for information on intake tube materials/colors.

# Intake Systems

# CHRYSLER

Vehicle	Engine Type	Intake Kit	Estimated Horsepower*	Vehicle	Engine Type	Intake Kit	Estimated Horsepower*
<b>2008 CHRYSLER</b>				<b>2002 CHRYSLER</b>			
300C	6.1L V8 F/I	69-2526TP <sup>2</sup> 63-1114 <sup>2</sup>	18.2 @ 5217 31.4 @ 52	300M	3.5L V6 F/I	57-1522 <sup>1</sup>	8.5 @ 5482
PT Cruiser	2.4L L4 F/I - exc. Turbo	63-1550 <sup>2</sup>	7.2 @ 5004	Neon II	2.0L L4 F/I	69-2520TR <sup>2</sup> 69-2520TP <sup>2</sup>	5.3 @ 4641 5.3 @ 4641
PT Cruiser	2.4L L4 F/I - Turbo	69-2541TB <sup>2</sup> 69-2541TP <sup>2</sup> 63-1551 <sup>2</sup>	11.1 @ 4508 11.1 @ 4508 12.1 @ 5086	PT Cruiser	2.4L L4 F/I	57-1515-1 <sup>1</sup>	5.9 @ 5486
<b>2007 CHRYSLER</b>				<b>2001 CHRYSLER</b>			
300	2.7L V6 F/I	57-1544 <sup>1</sup>	7.3 @ 5693	300M	3.5L V6 F/I	57-1522 <sup>1</sup>	8.5 @ 5482
300	3.5L V6 F/I	57-1543 <sup>1</sup>	11.7 @ 6215	Neon	2.0L L4 F/I	69-2520TR <sup>2</sup> 69-2520TP <sup>2</sup>	5.3 @ 4641 5.3 @ 4641
300C	5.7L V8 F/I	69-2526TP <sup>1</sup> 57-1542 <sup>1</sup>	18.2 @ 5217 21.1 @ 5216	Neon II	2.0L L4 F/I	69-2520TR <sup>2</sup> 69-2520TP <sup>2</sup>	5.3 @ 4641 5.3 @ 4641
300C	6.1L V8 F/I	69-2526TP <sup>1</sup> 57-1542 <sup>1</sup>	18.2 @ 5217 21.1 @ 5216	PT Cruiser	2.4L L4 F/I	57-1515-1 <sup>1</sup>	5.9 @ 5486
Aspen	5.7L V8 F/I	77-1539KP <sup>1</sup> 57-1539 <sup>1</sup>	15.6 @ 5148 17.5 @ 5053	<b>2000 CHRYSLER</b>			
PT Cruiser	2.4L L4 F/I - exc. Turbo	57-1550 <sup>1</sup>	7.2 @ 5004	300M	3.5L V6 F/I	57-1522 <sup>1</sup>	8.5 @ 5482
PT Cruiser	2.4L L4 F/I - Turbo	69-2541TB <sup>2</sup> 63-1551 <sup>2</sup> 69-2541TP <sup>2</sup>	11.1 @ 4508 12.1 @ 5086 11.1 @ 4508	Neon	2.0L L4 F/I	69-2520TR <sup>2</sup> 69-2520TP <sup>2</sup>	5.3 @ 4641 5.3 @ 4641
<b>2006 CHRYSLER</b>				<b>2008 CITROEN</b>			
300	2.7L V6 F/I	57-1544 <sup>1</sup>	7.3 @ 5693	C4	1.6L L4 F/I	69-3000TS <sup>2</sup> 69-3000TR <sup>2</sup>	6.0 @ 4600 6.0 @ 4600
300	3.5L V6 F/I	57-1543 <sup>1</sup>	11.7 @ 6215	C4	2.0L L4 F/I - 177BHP	69-3002TS <sup>2</sup>	6.0 @ 4600
300C	5.7L V8 F/I	69-2526TP <sup>1</sup> 57-1542 <sup>1</sup>	18.2 @ 5217 21.1 @ 5216	<b>2007 CITROEN</b>			
300C	6.1L V8 F/I	57-1542 <sup>1</sup> 69-2526TP <sup>1</sup>	21.1 @ 5216 18.2 @ 5217	C4	1.6L L4 F/I	69-3000TS <sup>2</sup> 69-3000TR <sup>2</sup>	6.0 @ 4600 6.0 @ 4600
PT Cruiser	2.4L L4 F/I - exc. Turbo	57-1550 <sup>1</sup>	7.2 @ 5004	C4	2.0L L4 F/I - 177BHP	69-3002TS <sup>2</sup>	6.0 @ 4600
PT Cruiser	2.4L L4 F/I - Turbo	69-2541TB <sup>2</sup> 69-2541TP <sup>2</sup> 57-1551 <sup>1</sup>	11.1 @ 4508 11.1 @ 4508 12.1 @ 5086	<b>2006 CITROEN</b>			
<b>2005 CHRYSLER</b>				<b>2005 CITROEN</b>			
300	2.7L V6 F/I	57-1544 <sup>1</sup>	7.3 @ 5693	C4	1.6L L4 F/I	69-3000TS <sup>2</sup> 69-3000TR <sup>2</sup>	6.0 @ 4600 6.0 @ 4600
300	3.5L V6 F/I	57-1543 <sup>1</sup>	11.7 @ 6215	C4	2.0L L4 F/I - 177BHP	69-3002TS <sup>2</sup>	6.0 @ 4600
300C	5.7L V8 F/I	57-1542 <sup>1</sup> 69-2526TP <sup>1</sup>	21.1 @ 5216 18.2 @ 5217	<b>2004 CITROEN</b>			
300C	6.1L V8 F/I	69-2526TP <sup>1</sup> 57-1542 <sup>1</sup>	18.2 @ 5217 21.1 @ 5216	C4	1.6L L4 F/I	69-3000TS <sup>2</sup> 69-3000TR <sup>2</sup>	6.0 @ 4600 6.0 @ 4600
Neon II	2.0L L4 F/I	69-2520TP <sup>2</sup> 69-2520TR <sup>2</sup>	5.3 @ 4641 5.3 @ 4641	C4	2.0L L4 F/I - 177BHP	69-3002TS <sup>2</sup>	6.0 @ 4600
PT Cruiser	2.4L L4 F/I - exc. Turbo	57-1515-1 <sup>1</sup>	5.9 @ 5486	<b>2011 DODGE</b>			
PT Cruiser	2.4L L4 F/I - Turbo	69-2541TB <sup>2</sup> 69-2541TP <sup>2</sup> 57-1531 <sup>1</sup>	11.1 @ 4508 11.1 @ 4508 12.0 @ 5086	Nitro	4.0L V6 F/I	63-1556 <sup>2</sup>	8.7 @ 5006
<b>2004 CHRYSLER</b>				Ram 1500 Pickup	3.7L V6 F/I	63-1537 <sup>2</sup>	7.4 @ 5223
300M	3.5L V6 F/I	57-1522 <sup>1</sup>	8.5 @ 5482	Ram 1500 Pickup	4.7L V8 F/I	63-1529 <sup>2</sup> 77-1529KP <sup>2</sup>	8.6 @ 4688 6.8 @ 4743
PT Cruiser	2.4L L4 F/I - exc. Turbo	57-1515-1 <sup>1</sup>	5.9 @ 5486	Ram 1500 Pickup	5.7L V8 F/I	63-1561 <sup>2</sup> 77-1561KP <sup>2</sup>	15.7 @ 4688 10.3 @ 4382
PT Cruiser	2.4L L4 F/I - Turbo	69-2541TP <sup>1</sup> 57-1531 <sup>1</sup> 69-2541TB <sup>1</sup>	11.1 @ 4508 12.0 @ 5086 11.1 @ 4508	Ram 2500 Pickup	6.7L L6 DSL	63-1562 <sup>2</sup>	
<b>2003 CHRYSLER</b>				Ram 3500 Pickup	6.7L L6 DSL	63-1562 <sup>2</sup>	
300M	3.5L V6 F/I	57-1522 <sup>1</sup>	8.5 @ 5482	<b>2010 DODGE</b>			
PT Cruiser	2.4L L4 F/I - exc. Turbo	57-1515-1 <sup>1</sup>	5.9 @ 5486	Avenger	2.4L L4 F/I	69-2542TS <sup>2</sup>	9.4 @ 5969
PT Cruiser	2.4L L4 F/I - Turbo	69-2541TP <sup>1</sup> 69-2541TB <sup>1</sup> 57-1531 <sup>1</sup>	11.1 @ 4508 11.1 @ 4508 12.0 @ 5086	Avenger	3.5L V6 F/I	69-2543TTK <sup>2</sup>	12.3 @ 5493
<b>2002 CHRYSLER</b>				Caliber	1.8L L4 F/I	63-1552 <sup>2</sup>	7.9 @ 4557
300M	3.5L V6 F/I	57-1522 <sup>1</sup>	8.5 @ 5482	Caliber	2.0L L4 F/I	63-1552 <sup>2</sup>	7.9 @ 4557
Neon II	2.0L L4 F/I	69-2520TR <sup>2</sup> 69-2520TP <sup>2</sup>	5.3 @ 4641 5.3 @ 4641	Caliber	2.4L L4 F/I	63-1552 <sup>2</sup>	7.9 @ 4557
PT Cruiser	2.4L L4 F/I	57-1515-1 <sup>1</sup>	5.9 @ 5486	Challenger	3.5L V6 F/I	63-1117 <sup>2</sup>	11.7 @ 6215
<b>2001 CHRYSLER</b>				Challenger	5.7L V8 F/I	63-1114 <sup>2</sup> 69-2526TP <sup>2</sup>	31.4 @ 52 18.2 @ 5217
300M	3.5L V6 F/I	57-1522 <sup>1</sup>	8.5 @ 5482				
Neon	2.0L L4 F/I	69-2520TR <sup>2</sup> 69-2520TP <sup>2</sup>	5.3 @ 4641 5.3 @ 4641				
Neon II	2.0L L4 F/I	69-2520TR <sup>2</sup> 69-2520TP <sup>2</sup>	5.3 @ 4641 5.3 @ 4641				
PT Cruiser	2.4L L4 F/I	57-1515-1 <sup>1</sup>	5.9 @ 5486				
<b>2000 CHRYSLER</b>							
300M	3.5L V6 F/I	57-1522 <sup>1</sup>	8.5 @ 5482				
Neon	2.0L L4 F/I	69-2520TR <sup>2</sup> 69-2520TP <sup>2</sup>	5.3 @ 4641 5.3 @ 4641				
Neon II	2.0L L4 F/I	69-2520TR <sup>2</sup> 69-2520TP <sup>2</sup>	5.3 @ 4641 5.3 @ 4641				

1) Street legal in all US states. 2) Street legal in most states, but not legal for use in California or other states with similar emission control regulations.

\* Estimated horsepower gains are based on specific or similar vehicle dyno tests. Results will vary. See Page 81 for more information.  
Partial Listing - Complete List of Vehicles and Applications at knfilters.com. See page 82 for information on intake tube materials/colors.

# DODGE

# Intake Systems

Vehicle	Engine Type	Intake Kit	Estimated Horsepower*	Vehicle	Engine Type	Intake Kit	Estimated Horsepower*
<b>2010 DODGE</b>				<b>2008 DODGE</b>			
<b>Challenger</b>	6.1L V8 F/I	63-1114 <sup>2</sup>	31.4 @ 52	<b>Caliber SRT-4</b>	2.4L L4 F/I	63-1560 <sup>2</sup>	10.9 @ 5500
		69-2526TP <sup>2</sup>	18.2 @ 5217			57-1560 <sup>2</sup>	
<b>Charger</b>	2.7L V6 F/I	63-1544 <sup>2</sup>	7.3 @ 5693	<b>Challenger</b>	6.1L V8 F/I	69-2526TP <sup>2</sup>	18.2 @ 5217
<b>Charger</b>	3.5L V6 F/I	63-1117 <sup>2</sup>	11.7 @ 6215			63-1114 <sup>2</sup>	31.4 @ 5217
<b>Charger</b>	5.7L V8 F/I	63-1114 <sup>2</sup>	31.4 @ 52	<b>Charger</b>	2.7L V6 F/I	63-1544 <sup>2</sup>	7.3 @ 5693
		69-2526TP <sup>2</sup>	18.2 @ 5217	<b>Charger</b>	3.5L V6 F/I	63-1117 <sup>2</sup>	11.7 @ 6215
<b>Charger</b>	6.1L V8 F/I	63-1114 <sup>2</sup>	31.4 @ 52	<b>Charger</b>	5.7L V8 F/I	63-1114 <sup>2</sup>	31.4 @ 52
		69-2526TP <sup>2</sup>	18.2 @ 5217			69-2526TP <sup>2</sup>	18.2 @ 5217
<b>Dakota</b>	4.7L V8 F/I	63-1546 <sup>2</sup>	9.2 @ 4524	<b>Charger</b>	6.1L V8 F/I	63-1114 <sup>2</sup>	31.4 @ 52
		77-1546KP <sup>2</sup>	7.3 @ 4475			69-2526TP <sup>2</sup>	18.2 @ 5217
<b>Nitro</b>	4.0L V6 F/I	57-1556 <sup>2</sup>	8.7 @ 5006	<b>Dakota</b>	3.7L V6 F/I	57-1558 <sup>2</sup>	9.2 @ 4200
		63-1556 <sup>2</sup>	7.4 @ 5223			77-1558KP <sup>2</sup>	6.1 @ 4200
<b>Ram 1500 Pickup</b>	3.7L V6 F/I	63-1537 <sup>2</sup>	7.4 @ 5223	<b>Dakota</b>	4.7L V8 F/I	63-1558 <sup>2</sup>	9.2 @ 4200
<b>Ram 1500 Pickup</b>	4.7L V8 F/I	77-1529KP <sup>2</sup>	8.6 @ 4688			77-1546KP <sup>2</sup>	7.3 @ 4475
		63-1529 <sup>2</sup>	8.6 @ 4688	<b>Durango</b>	4.7L V8 F/I	63-1546 <sup>2</sup>	9.2 @ 4524
<b>Ram 1500 Pickup</b>	5.7L V8 F/I	77-1561KP <sup>2</sup>	10.3 @ 4382			77-1538KP <sup>2</sup>	8.9 @ 4406
		63-1561 <sup>2</sup>	15.7 @ 4688	<b>Durango</b>	5.7L V8 F/I	63-1102 <sup>2</sup>	16.8 @ 4588
<b>Ram 2500 Pickup</b>	6.7L L6 DSL	63-1562 <sup>2</sup>				77-1539KP <sup>2</sup>	15.6 @ 5148
<b>Ram 3500 Pickup</b>	6.7L L6 DSL	63-1562 <sup>2</sup>		<b>Magnum</b>	2.7L V6 F/I	63-1094 <sup>2</sup>	17.5 @ 5053
<b>2009 DODGE</b>				<b>Magnum</b>	3.5L V6 F/I	63-1544 <sup>2</sup>	7.3 @ 5693
<b>Avenger</b>	2.4L L4 F/I	69-2542TS <sup>2</sup>	9.4 @ 5969	<b>Magnum</b>	5.7L V8 F/I	63-1117 <sup>2</sup>	11.7 @ 6215
<b>Avenger</b>	3.5L V6 F/I	69-2543TTK <sup>2</sup>	12.3 @ 5493	<b>Magnum</b>		69-2526TP <sup>2</sup>	18.2 @ 5217
<b>Caliber</b>	1.8L L4 F/I	63-1552 <sup>2</sup>	7.9 @ 4557			63-1114 <sup>2</sup>	31.4 @ 52
<b>Caliber</b>	2.0L L4 F/I	63-1552 <sup>2</sup>	7.9 @ 4557	<b>Magnum</b>	6.1L V8 F/I	69-2526TP <sup>2</sup>	18.2 @ 5217
<b>Caliber</b>	2.4L L4 F/I	63-1552 <sup>2</sup>	7.9 @ 4557			63-1114 <sup>2</sup>	31.4 @ 52
<b>Caliber SRT-4</b>	2.4L L4 F/I	63-1560 <sup>2</sup>	10.9 @ 5500	<b>Nitro</b>	3.7L V6 F/I	77-1554KP <sup>2</sup>	11.6 @ 4270
		57-1560 <sup>2</sup>				63-1554 <sup>2</sup>	11.7 @ 4270
<b>Challenger</b>	3.5L V6 F/I	63-1117 <sup>2</sup>	11.7 @ 6215	<b>Nitro</b>	4.0L V6 F/I	63-1556 <sup>2</sup>	8.7 @ 5006
<b>Challenger</b>	5.7L V8 F/I	69-2526TP <sup>2</sup>	18.2 @ 5217			57-1556 <sup>2</sup>	
		63-1114 <sup>2</sup>	31.4 @ 52	<b>Ram 1500 Pickup</b>	3.7L V6 F/I	63-1537 <sup>2</sup>	7.4 @ 5223
<b>Challenger</b>	6.1L V8 F/I	69-2526TP <sup>2</sup>	18.2 @ 5217	<b>Ram 1500 Pickup</b>	4.7L V8 F/I	63-1529 <sup>2</sup>	8.6 @ 4688
		63-1114 <sup>2</sup>	31.4 @ 52			77-1529KP <sup>2</sup>	6.8 @ 4743
<b>Charger</b>	2.7L V6 F/I	63-1544 <sup>2</sup>	7.3 @ 5693	<b>Ram 1500 Pickup</b>	5.7L V8 F/I	77-1533KP <sup>2</sup>	8.3 @ 5391
<b>Charger</b>	3.5L V6 F/I	63-1117 <sup>2</sup>	11.7 @ 6215			63-1533 <sup>2</sup>	10.5 @ 5445
<b>Charger</b>	5.7L V8 F/I	69-2526TP <sup>2</sup>	18.2 @ 5217	<b>Ram 2500 Pickup</b>	5.7L V8 F/I	77-1533KP <sup>2</sup>	8.3 @ 5391
		63-1114 <sup>2</sup>	31.4 @ 52			63-1533 <sup>2</sup>	10.5 @ 5445
<b>Charger</b>	6.1L V8 F/I	69-2526TP <sup>2</sup>	18.2 @ 5217	<b>Ram 2500 Pickup</b>	6.7L L6 DSL	57-1557 <sup>1</sup>	20.6 @ 2500
		63-1114 <sup>2</sup>	31.4 @ 52	<b>Ram 3500 Pickup</b>	5.7L V8 F/I	77-1533KP <sup>2</sup>	8.3 @ 5391
<b>Dakota</b>	4.7L V8 F/I	77-1546KP <sup>2</sup>	7.3 @ 4475			63-1533 <sup>2</sup>	10.5 @ 5445
		63-1546 <sup>2</sup>	9.2 @ 4524	<b>Ram 3500 Pickup</b>	6.7L L6 DSL	57-1557 <sup>1</sup>	20.6 @ 2500
<b>Durango</b>	4.7L V8 F/I	77-1538KP <sup>2</sup>	8.9 @ 4406	<b>Viper</b>	8.4L V10 F/I	69-2527TTR <sup>2</sup>	18.7 @ 5300
		63-1102 <sup>2</sup>	16.8 @ 4588	<b>2007 DODGE</b>			
<b>Nitro</b>	4.0L V6 F/I	63-1556 <sup>2</sup>	8.7 @ 5006	<b>Caliber</b>	1.8L L4 F/I	57-1552 <sup>1</sup>	7.9 @ 4557
		57-1556 <sup>2</sup>		<b>Caliber</b>	2.0L L4 F/I	57-1552 <sup>1</sup>	7.9 @ 4557
<b>Ram 1500 Pickup</b>	3.7L V6 F/I	63-1537 <sup>2</sup>	7.4 @ 5223	<b>Caliber</b>	2.4L L4 F/I	57-1552 <sup>1</sup>	7.9 @ 4557
<b>Ram 1500 Pickup</b>	4.7L V8 F/I	63-1529 <sup>2</sup>	8.6 @ 4688	<b>Charger</b>	2.7L V6 F/I	57-1544 <sup>1</sup>	7.3 @ 5693
		77-1529KP <sup>2</sup>	6.8 @ 4743	<b>Charger</b>	3.5L V6 F/I	57-1543 <sup>1</sup>	11.7 @ 6215
<b>Ram 1500 Pickup</b>	5.7L V8 F/I	77-1561KP <sup>2</sup>	10.3 @ 4382	<b>Charger</b>	5.7L V8 F/I	69-2526TP <sup>1</sup>	18.2 @ 5217
		63-1561 <sup>2</sup>	15.7 @ 4688			57-1542 <sup>1</sup>	21.1 @ 5216
<b>Ram 2500 Pickup</b>	6.7L L6 DSL	57-1557 <sup>1</sup>	20.6 @ 2500	<b>Charger</b>	6.1L V8 F/I	57-1542 <sup>1</sup>	21.1 @ 5216
<b>Ram 3500 Pickup</b>	6.7L L6 DSL	57-1557 <sup>1</sup>	20.6 @ 2500			69-2526TP <sup>1</sup>	18.2 @ 5217
<b>Viper</b>	8.4L V10 F/I	69-2527TTR <sup>2</sup>	18.7 @ 5300	<b>Dakota</b>	3.7L V6 F/I	77-1558KP <sup>2</sup>	6.1 @ 4200
<b>2008 DODGE</b>						57-1558 <sup>2</sup>	
<b>Avenger</b>	2.4L L4 F/I	69-2542TS <sup>2</sup>	9.4 @ 5969			63-1558 <sup>2</sup>	9.2 @ 4200
<b>Avenger</b>	3.5L V6 F/I	69-2543TTK <sup>2</sup>	12.3 @ 5493	<b>Dakota</b>	4.7L V8 F/I	77-1546KP <sup>2</sup>	7.3 @ 4475
<b>Caliber</b>	1.8L L4 F/I	63-1552 <sup>2</sup>	7.9 @ 4557			63-1546 <sup>2</sup>	9.2 @ 4524
<b>Caliber</b>	2.0L L4 F/I	63-1552 <sup>2</sup>	7.9 @ 4557	<b>Durango</b>	4.7L V8 F/I	77-1538KP <sup>2</sup>	8.9 @ 4406
<b>Caliber</b>	2.4L L4 F/I	63-1552 <sup>2</sup>	7.9 @ 4557			63-1102 <sup>2</sup>	16.8 @ 4588

1) Street legal in all US states. 2) Street legal in most states, but not legal for use in California or other states with similar emission control regulations.

\* Estimated horsepower gains are based on specific or similar vehicle dyno tests. Results will vary. See Page 81 for more information.  
 Partial Listing - Complete List of Vehicles and Applications at knfilters.com. See page 82 for information on intake tube materials/colors.



# Intake Systems

# DODGE

Vehicle	Engine Type	Intake Kit	Estimated Horsepower*	Vehicle	Engine Type	Intake Kit	Estimated Horsepower*
<b>2007 DODGE</b>				<b>2006 DODGE</b>			
Durango	5.7L V8 F/I	77-1539KP <sup>2</sup> 63-1094 <sup>2</sup>	15.6 @ 5148 17.5 @ 5053	Ram SRT-10	8.3L V10 F/I	57-1541 <sup>1</sup>	19.8 @ 4867
Magnum	2.7L V6 F/I	57-1544 <sup>1</sup>	7.3 @ 5693	Viper	8.3L V10 F/I	57-1536 <sup>1</sup>	14.1 @ 5300
Magnum	3.5L V6 F/I	57-1543 <sup>1</sup>	11.7 @ 6215	<b>2005 DODGE</b>			
Magnum	5.7L V8 F/I	69-2526TP <sup>1</sup> 57-1542 <sup>1</sup>	18.2 @ 5217 21.1 @ 5216	Dakota	3.7L V6 F/I	57-1547 <sup>1</sup> 77-1547KP <sup>1</sup>	8.7 @ 4749 6.0 @ 4943
Magnum	6.1L V8 F/I	69-2526TP <sup>1</sup> 57-1542 <sup>1</sup>	18.2 @ 5217 21.1 @ 5216	Dakota	4.7L V8 F/I	57-1546 <sup>1</sup> 77-1546KP <sup>1</sup>	9.2 @ 4524 7.3 @ 4475
Nitro	3.7L V6 F/I	77-1554KP <sup>1</sup> 57-1554 <sup>1</sup>	11.6 @ 4270 11.7 @ 4270	Durango	4.7L V8 F/I	77-1538KP <sup>1</sup> 57-1538 <sup>1</sup>	8.9 @ 4406 16.8 @ 4588
Nitro	4.0L V6 F/I	63-1556 <sup>2</sup> 57-1556 <sup>2</sup>	8.7 @ 5006	Durango	5.7L V8 F/I	77-1538KD <sup>1</sup> 77-1539KP <sup>1</sup>	8.9 @ 4426 15.6 @ 5148
Ram 1500 Pickup	3.7L V6 F/I	57-1537 <sup>1</sup>	7.4 @ 5223	Durango	5.7L V8 F/I	57-1539 <sup>1</sup> 57-1539 <sup>1</sup>	17.5 @ 5053
Ram 1500 Pickup	4.7L V8 F/I	57-1529 <sup>1</sup> 77-1529KP <sup>1</sup>	8.6 @ 4688 6.8 @ 4743	Magnum	2.7L V6 F/I	57-1544 <sup>1</sup>	7.3 @ 5693
Ram 1500 Pickup	5.7L V8 F/I	57-1533 <sup>1</sup> 77-1533KP <sup>1</sup>	10.5 @ 5445 8.3 @ 5391	Magnum	3.5L V6 F/I	57-1543 <sup>1</sup>	11.7 @ 6215
Ram 2500 Pickup	5.7L V8 F/I	57-1533 <sup>1</sup> 77-1533KP <sup>1</sup>	10.5 @ 5445 8.3 @ 5391	Magnum	5.7L V8 F/I	69-2526TP <sup>1</sup> 57-1542 <sup>1</sup>	18.2 @ 5217 21.1 @ 5216
Ram 2500 Pickup	5.9L L6 DSL	57-1532 <sup>1</sup>	11.0 @ 2852	Neon	2.0L L4 F/I	69-2520TR <sup>2</sup> 63-1534 <sup>2</sup>	5.3 @ 4641 4.9 @ 5600
Ram 2500 Pickup	6.7L L6 DSL	57-1557 <sup>1</sup>	20.6 @ 2500	Neon	2.0L L4 F/I	69-2520TP <sup>2</sup> 57-1534 <sup>1</sup>	5.3 @ 4641 4.9 @ 5600
Ram 3500 Pickup	5.7L V8 F/I	57-1533 <sup>1</sup> 77-1533KP <sup>1</sup>	10.5 @ 5445 8.3 @ 5391	Neon SRT-4	2.4L L4 F/I	69-2521TB <sup>2</sup> 69-2521TP <sup>2</sup>	12.2 @ 5312 12.2 @ 5312
Ram 3500 Pickup	5.9L L6 DSL	57-1532 <sup>1</sup>	11.0 @ 2852	Ram 1500 Pickup	3.7L V6 F/I	57-1535 <sup>1</sup> 57-1537 <sup>1</sup>	9.8 @ 5500 7.4 @ 5223
Ram 3500 Pickup	6.7L L6 DSL	57-1557 <sup>1</sup>	20.6 @ 2500	Ram 1500 Pickup	4.7L V8 F/I	77-1529KP <sup>1</sup> 57-1529 <sup>1</sup>	6.8 @ 4743 8.6 @ 4688
<b>2006 DODGE</b>				Ram 1500 Pickup	5.7L V8 F/I	77-1533KP <sup>1</sup> 57-1533 <sup>1</sup>	8.3 @ 5391 10.5 @ 5445
Charger	2.7L V6 F/I	57-1544 <sup>1</sup>	7.3 @ 5693	Ram 2500 Pickup	5.7L V8 F/I	77-1533KP <sup>1</sup> 57-1533 <sup>1</sup>	8.3 @ 5391 10.5 @ 5445
Charger	3.5L V6 F/I	57-1543 <sup>1</sup>	11.7 @ 6215	Ram 2500 Pickup	5.9L L6 DSL	57-1532 <sup>1</sup>	11.0 @ 2852
Charger	5.7L V8 F/I	57-1542 <sup>1</sup> 69-2526TP <sup>1</sup>	21.1 @ 5216 18.2 @ 5217	Ram 3500 Pickup	5.7L V8 F/I	57-1533 <sup>1</sup> 77-1533KP <sup>1</sup>	10.5 @ 5445 8.3 @ 5391
Charger	6.1L V8 F/I	57-1542 <sup>1</sup> 69-2526TP <sup>1</sup>	21.1 @ 5216 18.2 @ 5217	Ram 3500 Pickup	5.9L L6 DSL	57-1532 <sup>1</sup>	11.0 @ 2852
Dakota	3.7L V6 F/I	57-1547 <sup>1</sup> 77-1547KP <sup>1</sup>	8.7 @ 4749 6.0 @ 4943	Ram SRT-10	8.3L V10 F/I	57-1541 <sup>1</sup>	19.8 @ 4867
Dakota	4.7L V8 F/I	57-1546 <sup>1</sup> 77-1546KP <sup>1</sup>	9.2 @ 4524 7.3 @ 4475	Viper	8.3L V10 F/I	57-1536 <sup>1</sup>	14.1 @ 5300
Durango	4.7L V8 F/I	77-1538KP <sup>1</sup> 57-1538 <sup>1</sup> 77-1538KD <sup>1</sup>	8.9 @ 4406 16.8 @ 4588 8.9 @ 4426	<b>2004 DODGE</b>			
Durango	5.7L V8 F/I	77-1539KP <sup>1</sup> 57-1539 <sup>1</sup>	15.6 @ 5148 17.5 @ 5053	Dakota	4.7L V8 F/I	77-1516KP <sup>1</sup> 57-1516 <sup>1</sup>	7.7 @ 4722 8.0 @ 4469
Magnum	2.7L V6 F/I	57-1544 <sup>1</sup>	7.3 @ 5693	Durango	4.7L V8 F/I	77-1538KP <sup>1</sup> 77-1538KD <sup>1</sup>	8.9 @ 4406 8.9 @ 4426
Magnum	3.5L V6 F/I	57-1543 <sup>1</sup>	11.7 @ 6215	Durango	5.7L V8 F/I	57-1538 <sup>1</sup> 77-1539KP <sup>1</sup>	16.8 @ 4588 15.6 @ 5148
Magnum	5.7L V8 F/I	69-2526TP <sup>1</sup> 57-1542 <sup>1</sup>	18.2 @ 5217 21.1 @ 5216	Intrepid	2.7L V6 F/I	57-1539 <sup>1</sup> 57-1539 <sup>1</sup>	17.5 @ 5053
Magnum	6.1L V8 F/I	69-2526TP <sup>1</sup> 57-1542 <sup>1</sup>	18.2 @ 5217 21.1 @ 5216	Intrepid SXT	3.5L V6 F/I	57-1523 <sup>1</sup> 57-1522 <sup>1</sup>	4.5 @ 5939 8.5 @ 5482
Ram 1500 Pickup	3.7L V6 F/I	57-1537 <sup>1</sup>	7.4 @ 5223	Neon	2.0L L4 F/I	69-2520TR <sup>1</sup> 69-2520TP <sup>1</sup>	5.3 @ 4641 5.3 @ 4641
Ram 1500 Pickup	4.7L V8 F/I	77-1529KP <sup>1</sup> 57-1529 <sup>1</sup>	6.8 @ 4743 8.6 @ 4688	Neon SRT-4	2.4L L4 F/I	57-1534 <sup>1</sup> 69-2521TP <sup>1</sup>	4.9 @ 5600 12.2 @ 5312
Ram 1500 Pickup	5.7L V8 F/I	77-1533KP <sup>1</sup> 57-1533 <sup>1</sup>	8.3 @ 5391 10.5 @ 5445	Ram 1500 Pickup	3.7L V6 F/I	69-2521TB <sup>1</sup> 57-1535 <sup>1</sup>	12.2 @ 5312 9.8 @ 5500
Ram 2500 Pickup	5.7L V8 F/I	77-1533KP <sup>1</sup> 57-1533 <sup>1</sup>	8.3 @ 5391 10.5 @ 5445	Ram 1500 Pickup	4.7L V8 F/I	57-1537 <sup>1</sup> 77-1529KP <sup>1</sup>	7.4 @ 5223 6.8 @ 4743
Ram 2500 Pickup	5.9L L6 DSL	57-1532 <sup>1</sup>	11.0 @ 2852	Ram 1500 Pickup	5.7L V8 F/I	57-1529 <sup>1</sup> 77-1533KP <sup>1</sup>	8.6 @ 4688 8.3 @ 5391
Ram 3500 Pickup	5.7L V8 F/I	77-1533KP <sup>1</sup> 57-1533 <sup>1</sup>	8.3 @ 5391 10.5 @ 5445	Ram 1500 Pickup	5.7L V8 F/I	57-1533 <sup>1</sup> 77-1533KP <sup>1</sup>	10.5 @ 5445 8.3 @ 5391
Ram 3500 Pickup	5.9L L6 DSL	57-1532 <sup>1</sup>	11.0 @ 2852	Ram 2500 Pickup	5.7L V8 F/I	77-1533KP <sup>1</sup>	8.3 @ 5391

1) Street legal in all US states. 2) Street legal in most states, but not legal for use in California or other states with similar emission control regulations.

\* Estimated horsepower gains are based on specific or similar vehicle dyno tests. Results will vary. See Page 81 for more information. Partial Listing - Complete List of Vehicles and Applications at knfilters.com. See page 82 for information on intake tube materials/colors.

# DODGE

# Intake Systems

Vehicle	Engine Type	Intake Kit	Estimated Horsepower*	Vehicle	Engine Type	Intake Kit	Estimated Horsepower*
<b>2004 DODGE</b>				<b>2002 DODGE</b>			
Ram 2500 Pickup	5.7L V8 F/I	57-1533 <sup>1</sup>	10.5 @ 5445	Ram 1500 Pickup	4.7L V8 F/I	57-1529 <sup>1</sup>	8.6 @ 4688
Ram 2500 Pickup	5.9L L6 DSL	57-1532 <sup>1</sup>	11.0 @ 2852	Ram 1500 Pickup	5.9L V8 F/I	57-1530-1 <sup>1</sup>	8.7 @ 4362
Ram 3500 Pickup	5.7L V8 F/I	57-1533 <sup>1</sup>	10.5 @ 5445	Ram 2500 Pickup	5.9L L6 DSL	57-1525 <sup>1</sup>	9.2 @ 2560
		77-1533KP <sup>1</sup>	8.3 @ 5391	Ram 2500 Pickup	5.9L V8 F/I	57-1511-2 <sup>1</sup>	11.8 @ 4248
Ram 3500 Pickup	5.9L L6 DSL	57-1532 <sup>1</sup>	11.0 @ 2852	Ram 2500 Pickup	8.0L V10 F/I	57-1507 <sup>1</sup>	15.8 @ 4128
Ram SRT-10	8.3L V10 F/I	57-1541 <sup>1</sup>	19.8 @ 4867	Ram 3500 Pickup	5.9L L6 DSL	57-1525 <sup>1</sup>	9.2 @ 2560
Viper	8.3L V10 F/I	57-1536 <sup>1</sup>	14.1 @ 5300	Ram 3500 Pickup	8.0L V10 F/I	57-1507 <sup>1</sup>	15.8 @ 4128
<b>2003 DODGE</b>				<b>2001 DODGE</b>			
Dakota	4.7L V8 F/I	77-1516KP <sup>1</sup>	7.7 @ 4722	Dakota	4.7L V8 F/I	77-1516KP <sup>1</sup>	7.7 @ 4722
		57-1516 <sup>1</sup>	8.0 @ 4469			57-1516 <sup>1</sup>	8.0 @ 4469
Dakota	5.9L V8 F/I	57-1517-2 <sup>1</sup>	11.7 @ 4553	Dakota	5.9L V8 F/I	57-1517-2 <sup>1</sup>	11.7 @ 4553
Durango	4.7L V8 F/I	77-1516KP <sup>1</sup>	7.7 @ 4722	Durango	4.7L V8 F/I	77-1516KP <sup>1</sup>	7.7 @ 4722
		57-1516 <sup>1</sup>	8.0 @ 4469			57-1516 <sup>1</sup>	8.0 @ 4469
Durango	5.9L V8 F/I	57-1517-2 <sup>1</sup>	11.7 @ 4553	Durango	5.9L V8 F/I	57-1517-2 <sup>1</sup>	11.7 @ 4553
Intrepid	2.7L V6 F/I	57-1523 <sup>1</sup>	4.5 @ 5939	Intrepid	2.7L V6 F/I	57-1523 <sup>1</sup>	4.5 @ 5939
Intrepid	3.5L V6 F/I	57-1522 <sup>1</sup>	8.5 @ 5482	Intrepid	3.5L V6 F/I	57-1522 <sup>1</sup>	8.5 @ 5482
Neon	2.0L L4 F/I	69-2520TR <sup>1</sup>	5.3 @ 4641	Neon	2.0L L4 F/I	69-2520TR <sup>1</sup>	5.3 @ 4641
		69-2520TP <sup>1</sup>	5.3 @ 4641			69-2520TP <sup>1</sup>	5.3 @ 4641
		57-1534 <sup>1</sup>	4.9 @ 5600			57-1534 <sup>1</sup>	4.9 @ 5600
Neon R/T	2.0L L4 F/I	69-2520TR <sup>1</sup>	5.3 @ 4641	Neon ACR	2.0L L4 F/I	69-2520TR <sup>1</sup>	5.3 @ 4641
		69-2520TP <sup>1</sup>	5.3 @ 4641			69-2520TP <sup>1</sup>	5.3 @ 4641
		57-1534 <sup>1</sup>	4.9 @ 5600			57-1534 <sup>1</sup>	4.9 @ 5600
Neon SRT-4	2.4L L4 F/I	69-2521TP <sup>1</sup>	12.2 @ 5312	Neon R/T	2.0L L4 F/I	69-2520TR <sup>1</sup>	5.3 @ 4641
		69-2521TB <sup>1</sup>	12.2 @ 5312			69-2520TP <sup>1</sup>	5.3 @ 4641
		57-1535 <sup>1</sup>	9.8 @ 5500			57-1534 <sup>1</sup>	4.9 @ 5600
Ram 1500 Pickup	3.7L V6 F/I	57-1537 <sup>1</sup>	7.4 @ 5223	Ram 1500 Pickup	3.9L V6 F/I	57-1527-1 <sup>1</sup>	5.3 @ 3884
Ram 1500 Pickup	4.7L V8 F/I	77-1529KP <sup>1</sup>	6.8 @ 4743	Ram 1500 Pickup	5.2L V8 F/I	57-1511-2 <sup>1</sup>	11.8 @ 4248
		57-1529 <sup>1</sup>	8.6 @ 4688	Ram 1500 Pickup	5.9L V8 F/I	57-1511-2 <sup>1</sup>	11.8 @ 4248
Ram 1500 Pickup	5.7L V8 F/I	77-1533KP <sup>1</sup>	8.3 @ 5391	Ram 2500 Pickup	5.9L L6 DSL	57-1525 <sup>1</sup>	9.2 @ 2560
		57-1533 <sup>1</sup>	10.5 @ 5445	Ram 2500 Pickup	5.9L V8 F/I	57-1511-2 <sup>1</sup>	11.8 @ 4248
Ram 1500 Pickup	5.9L V8 F/I	57-1530-1 <sup>1</sup>	8.7 @ 4362	Ram 2500 Pickup	8.0L V10 F/I	57-1507 <sup>1</sup>	15.8 @ 4128
Ram 2500 Pickup	5.7L V8 F/I	77-1533KP <sup>1</sup>	8.3 @ 5391	Ram 3500 Pickup	5.9L L6 DSL	57-1525 <sup>1</sup>	9.2 @ 2560
		57-1533 <sup>1</sup>	10.5 @ 5445	Ram 3500 Pickup	8.0L V10 F/I	57-1507 <sup>1</sup>	15.8 @ 4128
Ram 2500 Pickup	5.9L L6 DSL	57-1532 <sup>1</sup>	11.0 @ 2852	<b>2000 DODGE</b>			
Ram 3500 Pickup	5.7L V8 F/I	77-1533KP <sup>1</sup>	8.3 @ 5391	Avenger	2.5L V6 F/I	57-1524 <sup>1</sup>	4.3 @ 5576
		57-1533 <sup>1</sup>	10.5 @ 5445	Dakota	4.7L V8 F/I	77-1516KP <sup>1</sup>	7.7 @ 4722
Ram 3500 Pickup	5.9L L6 DSL	57-1532 <sup>1</sup>	11.0 @ 2852			57-1516 <sup>1</sup>	8.0 @ 4470
Viper	8.3L V10 F/I	57-1536 <sup>1</sup>	14.1 @ 5300	Dakota	5.9L V8 F/I	57-1517-2 <sup>1</sup>	11.7 @ 4553
<b>2002 DODGE</b>				Durango	4.7L V8 F/I	77-1516KP <sup>1</sup>	7.7 @ 4722
Dakota	4.7L V8 F/I	77-1516KP <sup>1</sup>	7.7 @ 4722			57-1516 <sup>1</sup>	8.0 @ 4469
		57-1516 <sup>1</sup>	8.0 @ 4469	Durango	5.2L V8 F/I	57-1517-2 <sup>1</sup>	11.7 @ 4553
Dakota	5.9L V8 F/I	57-1517-2 <sup>1</sup>	11.7 @ 4553	Durango	5.9L V8 F/I	57-1517-2 <sup>1</sup>	11.7 @ 4553
Durango	4.7L V8 F/I	77-1516KP <sup>1</sup>	7.7 @ 4722	Intrepid	2.7L V6 F/I	57-1523 <sup>1</sup>	4.5 @ 5939
		57-1516 <sup>1</sup>	8.0 @ 4469	Intrepid	3.5L V6 F/I	57-1522 <sup>1</sup>	8.5 @ 5482
Durango	5.9L V8 F/I	57-1517-2 <sup>1</sup>	11.7 @ 4553	Neon	2.0L L4 F/I	69-2520TR <sup>1</sup>	5.3 @ 4641
Intrepid	2.7L V6 F/I	57-1523 <sup>1</sup>	4.5 @ 5939			69-2520TP <sup>1</sup>	5.3 @ 4641
Intrepid	3.5L V6 F/I	57-1522 <sup>1</sup>	8.5 @ 5482			57-1534 <sup>1</sup>	4.9 @ 5600
Neon	2.0L L4 F/I	69-2520TR <sup>1</sup>	5.3 @ 4641	Ram 1500 Pickup	3.9L V6 F/I	57-1527-1 <sup>1</sup>	5.3 @ 3884
		69-2520TP <sup>1</sup>	5.3 @ 4641			57-1503-1 <sup>1</sup>	
		57-1534 <sup>1</sup>	4.9 @ 5600	Ram 1500 Pickup	5.2L V8 F/I	57-1511-2 <sup>1</sup>	11.8 @ 4248
Neon ACR	2.0L L4 F/I	69-2520TR <sup>1</sup>	5.3 @ 4641	Ram 1500 Pickup	5.9L V8 F/I	57-1511-2 <sup>1</sup>	11.8 @ 4248
		69-2520TP <sup>1</sup>	5.3 @ 4641	Ram 2500 Pickup	5.9L L6 DSL	57-1525 <sup>1</sup>	9.2 @ 2560
		57-1534 <sup>1</sup>	4.9 @ 5600	Ram 2500 Pickup	5.9L V8 F/I	57-1511-2 <sup>1</sup>	11.8 @ 4248
Neon R/T	2.0L L4 F/I	69-2520TR <sup>1</sup>	5.3 @ 4641	Ram 2500 Pickup	8.0L V10 F/I	57-1507 <sup>1</sup>	15.8 @ 4128
		69-2520TP <sup>1</sup>	5.3 @ 4641	Ram 3500 Pickup	5.9L L6 DSL	57-1525 <sup>1</sup>	9.2 @ 2560
		57-1534 <sup>1</sup>	4.9 @ 5600	Ram 3500 Pickup	8.0L V10 F/I	57-1507 <sup>1</sup>	15.8 @ 4128
Ram 1500 Pickup	3.7L V6 F/I	57-1537 <sup>1</sup>	7.4 @ 5223	<b>1999 DODGE</b>			
Ram 1500 Pickup	4.7L V8 F/I	77-1529KP <sup>1</sup>	6.8 @ 4743	Avenger	2.5L V6 F/I	57-1524 <sup>1</sup>	4.3 @ 5576

1) Street legal in all US states. 2) Street legal in most states, but not legal for use in California or other states with similar emission control regulations.

\* Estimated horsepower gains are based on specific or similar vehicle dyno tests. Results will vary. See Page 81 for more information.

Partial Listing - Complete List of Vehicles and Applications at knfilters.com. See page 82 for information on intake tube materials/colors.

# Intake Systems

# DODGE

Vehicle	Engine Type	Intake Kit	Estimated Horsepower*	Vehicle	Engine Type	Intake Kit	Estimated Horsepower*
<b>1999 DODGE</b>				<b>1996 DODGE</b>			
Dakota	5.2L V8 F/I	57-1509-1 <sup>1</sup>	10.7 @ 4580	Ram 2500 Pickup	8.0L V10 F/I	57-1507 <sup>1</sup>	15.8 @ 4128
Dakota	5.9L V8 F/I	57-1509-1 <sup>1</sup>	10.7 @ 4580	Ram 3500 Pickup	5.9L L6 DSL	57-1525 <sup>1</sup>	9.2 @ 2560
Durango	5.2L V8 F/I	57-1509-1 <sup>1</sup>	10.7 @ 4580	Ram 3500 Pickup	8.0L V10 F/I	57-1507 <sup>1</sup>	15.8 @ 4128
Durango	5.9L V8 F/I	57-1509-1 <sup>1</sup>	10.7 @ 4580	Stealth	3.0L V6 F/I	57-1500-1 <sup>1</sup>	
Intrepid	2.7L V6 F/I	57-1523 <sup>1</sup>	4.5 @ 5939	Viper	8.0L V10 F/I	57-1508 <sup>1</sup>	13.4 @ 5363
Neon	2.0L L4 F/I - SOHC	57-1512 <sup>1</sup>	6.0 @ 5810	<b>1995 DODGE</b>			
Ram 1500 Pickup	3.9L V6 F/I	57-1527-1 <sup>1</sup>	5.3 @ 3884	Dakota	3.9L V6 F/I	57-1501 <sup>1</sup>	6.4 @ 4352
		57-1503-1 <sup>1</sup>		Dakota	5.2L V8 F/I	57-1501 <sup>1</sup>	6.4 @ 4352
Ram 1500 Pickup	5.2L V8 F/I	57-1511-2 <sup>1</sup>	11.8 @ 4248	Neon	2.0L L4 F/I - SOHC	57-1512 <sup>1</sup>	6.0 @ 5810
Ram 1500 Pickup	5.9L V8 F/I	57-1511-2 <sup>1</sup>	11.8 @ 4248	Ram 1500 Pickup	3.9L V6 F/I	57-1527-1 <sup>1</sup>	5.3 @ 3884
Ram 2500 Pickup	5.9L L6 DSL	57-1525 <sup>1</sup>	9.2 @ 2560		57-1503-1 <sup>1</sup>		
Ram 2500 Pickup	5.9L V8 F/I	57-1511-2 <sup>1</sup>	11.8 @ 4248	Ram 1500 Pickup	5.2L V8 F/I	57-1511-2 <sup>1</sup>	11.8 @ 4248
Ram 2500 Pickup	8.0L V10 F/I	57-1507 <sup>1</sup>	15.8 @ 4128	Ram 1500 Pickup	5.9L V8 F/I	57-1511-2 <sup>1</sup>	11.8 @ 4248
Ram 3500 Pickup	5.9L L6 DSL	57-1525 <sup>1</sup>	9.2 @ 2560	Ram 2500 Pickup	5.2L V8 F/I	57-1511-2 <sup>1</sup>	11.8 @ 4248
Ram 3500 Pickup	8.0L V10 F/I	57-1507 <sup>1</sup>	15.8 @ 4128	Ram 2500 Pickup	5.9L L6 DSL	57-1525 <sup>1</sup>	9.2 @ 2560
				Ram 2500 Pickup	5.9L V8 F/I	57-1511-2 <sup>1</sup>	11.8 @ 4248
<b>1998 DODGE</b>				Ram 2500 Pickup	8.0L V10 F/I	57-1507 <sup>1</sup>	15.8 @ 4128
Avenger	2.5L V6 F/I	57-1524 <sup>1</sup>	4.3 @ 5576	Ram 2500 Pickup	5.9L V8 F/I	57-1511-2 <sup>1</sup>	11.8 @ 4248
Dakota	5.2L V8 F/I	57-1509-1 <sup>1</sup>	10.7 @ 4580	Ram 2500 Pickup	8.0L V10 F/I	57-1507 <sup>1</sup>	15.8 @ 4128
Dakota	5.9L V8 F/I	57-1509-1 <sup>1</sup>	10.7 @ 4580	Ram 3500 Pickup	5.9L L6 DSL	57-1525 <sup>1</sup>	9.2 @ 2560
Durango	5.2L V8 F/I	57-1509-1 <sup>1</sup>	10.7 @ 4580	Ram 3500 Pickup	8.0L V10 F/I	57-1507 <sup>1</sup>	15.8 @ 4128
Durango	5.9L V8 F/I	57-1509-1 <sup>1</sup>	10.7 @ 4580	Stealth	3.0L V6 F/I	57-1500-1 <sup>1</sup>	
Intrepid	2.7L V6 F/I	57-1523 <sup>1</sup>	4.5 @ 5939	Viper	8.0L V10 F/I	57-1508 <sup>1</sup>	13.4 @ 5363
Neon	2.0L L4 F/I - SOHC	57-1512 <sup>1</sup>	6.0 @ 5810	<b>1994 DODGE</b>			
Ram 1500 Pickup	3.9L V6 F/I	57-1527-1 <sup>1</sup>	5.3 @ 3884	Dakota	3.9L V6 F/I	57-1501 <sup>1</sup>	6.4 @ 4352
		57-1503-1 <sup>1</sup>		Dakota	5.2L V8 F/I	57-1501 <sup>1</sup>	6.4 @ 4352
Ram 1500 Pickup	5.2L V8 F/I	57-1511-2 <sup>1</sup>	11.8 @ 4248	Ram 1500 Pickup	3.9L V6 F/I	57-1527-1 <sup>1</sup>	5.3 @ 3884
Ram 1500 Pickup	5.9L V8 F/I	57-1511-2 <sup>1</sup>	11.8 @ 4248		57-1503-1 <sup>1</sup>		
Ram 2500 Pickup	5.2L V8 F/I	57-1511-2 <sup>1</sup>	11.8 @ 4248	Ram 1500 Pickup	5.2L V8 F/I	57-1511-2 <sup>1</sup>	11.8 @ 4248
Ram 2500 Pickup	5.9L L6 DSL	57-1525 <sup>1</sup>	9.2 @ 2560	Ram 1500 Pickup	5.9L V8 F/I	57-1511-2 <sup>1</sup>	11.8 @ 4248
Ram 2500 Pickup	5.9L V8 F/I	57-1511-2 <sup>1</sup>	11.8 @ 4248	Ram 2500 Pickup	5.2L V8 F/I	57-1511-2 <sup>1</sup>	11.8 @ 4248
Ram 2500 Pickup	8.0L V10 F/I	57-1507 <sup>1</sup>	15.8 @ 4128	Ram 2500 Pickup	5.9L L6 DSL	57-1525 <sup>1</sup>	9.2 @ 2560
Ram 2500 Pickup	5.9L V8 F/I	57-1511-2 <sup>1</sup>	11.8 @ 4248	Ram 2500 Pickup	5.9L V8 F/I	57-1511-2 <sup>1</sup>	11.8 @ 4248
Ram 3500 Pickup	5.9L L6 DSL	57-1525 <sup>1</sup>	9.2 @ 2560	Ram 2500 Pickup	8.0L V10 F/I	57-1507 <sup>1</sup>	15.8 @ 4128
Ram 3500 Pickup	8.0L V10 F/I	57-1507 <sup>1</sup>	15.8 @ 4128	Ram 2500 Pickup	5.9L L6 DSL	57-1525 <sup>1</sup>	9.2 @ 2560
Ram 3500 Pickup	8.0L V10 F/I	57-1507 <sup>1</sup>	15.8 @ 4128	Ram 3500 Pickup	5.9L V8 F/I	57-1511-2 <sup>1</sup>	11.8 @ 4248
Viper	8.0L V10 F/I	57-1508 <sup>1</sup>	13.4 @ 5363	Ram 3500 Pickup	8.0L V10 F/I	57-1507 <sup>1</sup>	15.8 @ 4128
				Ram 3500 Pickup	5.9L L6 DSL	57-1525 <sup>1</sup>	9.2 @ 2560
				Stealth	3.0L V6 F/I	57-1500-1 <sup>1</sup>	
<b>1997 DODGE</b>				<b>1993 DODGE</b>			
Dakota	5.2L V8 F/I	57-1509-1 <sup>1</sup>	10.7 @ 4580	D250	5.9L V8 F/I	57-1502 <sup>1</sup>	
Neon	2.0L L4 F/I - SOHC	57-1512 <sup>1</sup>	6.0 @ 5810	D350	5.9L V8 F/I	57-1502 <sup>1</sup>	
Ram 1500 Pickup	3.9L V6 F/I	57-1527-1 <sup>1</sup>	5.3 @ 3884	Dakota	3.9L V6 F/I	57-1501 <sup>1</sup>	6.4 @ 4352
		57-1503-1 <sup>1</sup>		Dakota	5.2L V8 F/I	57-1501 <sup>1</sup>	6.4 @ 4352
Ram 1500 Pickup	5.2L V8 F/I	57-1511-2 <sup>1</sup>	11.8 @ 4248	Stealth	3.0L V6 F/I	57-1500-1 <sup>1</sup>	
Ram 1500 Pickup	5.9L V8 F/I	57-1511-2 <sup>1</sup>	11.8 @ 4248	W250 Pickup	5.9L V8 F/I	57-1502 <sup>1</sup>	
Ram 2500 Pickup	5.9L L6 DSL	57-1525 <sup>1</sup>	9.2 @ 2560	W350 Pickup	5.9L V8 F/I	57-1502 <sup>1</sup>	
Ram 2500 Pickup	5.9L V8 F/I	57-1511-2 <sup>1</sup>	11.8 @ 4248	<b>1992 DODGE</b>			
Ram 2500 Pickup	8.0L V10 F/I	57-1507 <sup>1</sup>	15.8 @ 4128	D150	5.2L V8 F/I	57-1502 <sup>1</sup>	
Ram 3500 Pickup	5.9L L6 DSL	57-1525 <sup>1</sup>	9.2 @ 2560	D250	5.9L V8 F/I	57-1502 <sup>1</sup>	
Ram 3500 Pickup	8.0L V10 F/I	57-1507 <sup>1</sup>	15.8 @ 4128	D350	5.9L V8 F/I	57-1502 <sup>1</sup>	
Viper	8.0L V10 F/I	57-1508 <sup>1</sup>	13.4 @ 5363	Dakota	3.9L V6 F/I	57-1501 <sup>1</sup>	6.4 @ 4352
				Dakota	5.2L V8 F/I	57-1501 <sup>1</sup>	6.4 @ 4352
				Stealth	3.0L V6 F/I	57-1500-1 <sup>1</sup>	
				W250 Pickup	5.9L V8 F/I	57-1502 <sup>1</sup>	
				W350 Pickup	5.9L V8 F/I	57-1502 <sup>1</sup>	
<b>1996 DODGE</b>				<b>1991 DODGE</b>			
Dakota	3.9L V6 F/I	57-1501 <sup>1</sup>	6.4 @ 4352	Stealth	3.0L V6 F/I	57-1500-1 <sup>1</sup>	
Dakota	5.2L V8 F/I	57-1501 <sup>1</sup>	6.4 @ 4352	<b>1998 EAGLE</b>			
Neon	2.0L L4 F/I - SOHC	57-1512 <sup>1</sup>	6.0 @ 5810	Talon TSi	2.0L L4 F/I	57-5504-1 <sup>1</sup>	7.7 @ 5900
Ram 1500 Pickup	3.9L V6 F/I	57-1527-1 <sup>1</sup>	5.3 @ 3884				
		57-1503-1 <sup>1</sup>					
Ram 1500 Pickup	5.2L V8 F/I	57-1511-2 <sup>1</sup>	11.8 @ 4248				
Ram 1500 Pickup	5.9L V8 F/I	57-1511-2 <sup>1</sup>	11.8 @ 4248				
Ram 2500 Pickup	5.2L V8 F/I	57-1511-2 <sup>1</sup>	11.8 @ 4248				
Ram 2500 Pickup	5.9L L6 DSL	57-1525 <sup>1</sup>	9.2 @ 2560				
Ram 2500 Pickup	5.9L V8 F/I	57-1511-2 <sup>1</sup>	11.8 @ 4248				

1) Street legal in all US states. 2) Street legal in most states, but not legal for use in California or other states with similar emission control regulations.

\* Estimated horsepower gains are based on specific or similar vehicle dyno tests. Results will vary. See Page 81 for more information.  
 Partial Listing - Complete List of Vehicles and Applications at knfilters.com. See page 82 for information on intake tube materials/colors.

# EAGLE

# Intake Systems

Vehicle	Engine Type	Intake Kit	Estimated Horsepower*	Vehicle	Engine Type	Intake Kit	Estimated Horsepower*
<b>1997 EAGLE</b>				<b>2001 FIAT</b>			
Talon TSi	2.0L L4 F/I	57-5504-1 <sup>1</sup>	7.7 @ 5900	Punto	1.8L L4 F/I	69-3300TS <sup>2</sup>	
<b>1996 EAGLE</b>						69-3300TR <sup>2</sup>	
Talon TSi	2.0L L4 F/I	57-5504-1 <sup>1</sup>	7.7 @ 5900			69-3300TP <sup>2</sup>	
<b>1995 EAGLE</b>						69-3300TB <sup>2</sup>	
Talon TSi	2.0L L4 F/I	57-5504-1 <sup>1</sup>	7.7 @ 5900	Stilo	1.6L L4 F/I	69-3301TS <sup>2</sup>	
<b>1993 EAGLE</b>						69-3301TP <sup>2</sup>	
Talon	2.0L L4 F/I - exc. Turbo	57-5500 <sup>1</sup>				69-3301TB <sup>2</sup>	
<b>1992 EAGLE</b>				Stilo	2.4L L5 F/I	69-3302TS <sup>2</sup>	
Talon	2.0L L4 F/I - exc. Turbo	57-5500 <sup>1</sup>				69-3302TP <sup>2</sup>	
<b>1991 EAGLE</b>				<b>2000 FIAT</b>			
Talon	2.0L L4 F/I - exc. Turbo	57-5500 <sup>1</sup>		Punto	1.8L L4 F/I	69-3300TS <sup>2</sup>	
<b>1990 EAGLE</b>						69-3300TR <sup>2</sup>	
Talon	2.0L L4 F/I - exc. Turbo	57-5500 <sup>1</sup>				69-3300TP <sup>2</sup>	
<b>2005 FIAT</b>						69-3300TB <sup>2</sup>	
Punto	1.8L L4 F/I	69-3300TS <sup>2</sup>		<b>1999 FIAT</b>			
		69-3300TR <sup>2</sup>		Punto	1.8L L4 F/I	69-3300TP <sup>2</sup>	
		69-3300TP <sup>2</sup>		<b>2011 FORD</b>			
		69-3300TB <sup>2</sup>		Expedition	5.4L V8 F/I	63-2575 <sup>2</sup>	11.2 @ 4600
Stilo	1.6L L4 F/I	69-3301TS <sup>2</sup>		Flex	3.5L V6 F/I	77-2578KS <sup>2</sup>	9.2 @ 4914
		69-3301TP <sup>2</sup>		Focus	2.0L L4 F/I - PZEV	69-3516TTK <sup>2</sup>	5.8 @ 5000
		69-3301TB <sup>2</sup>		Mustang GT	5.0L V8 F/I	69-3527TP <sup>2</sup>	
Stilo	2.4L L5 F/I	69-3302TP <sup>2</sup>				63-2578 <sup>2</sup>	
<b>2004 FIAT</b>				Mustang Shelby GT500	5.4L V8 F/I	63-2579 <sup>2</sup>	
Punto	1.8L L4 F/I	69-3300TS <sup>2</sup>		<b>2010 FORD</b>			
		69-3300TR <sup>2</sup>		E350 Super Duty	6.8L V10 F/I	77-2570KTK <sup>2</sup>	17.5 @ 4101
		69-3300TP <sup>2</sup>		E450 Super Duty	6.8L V10 F/I	77-2570KTK <sup>2</sup>	17.5 @ 4101
		69-3300TB <sup>2</sup>		Edge	3.5L V6 F/I	77-2574KS <sup>2</sup>	11.2 @ 5797
Stilo	1.6L L4 F/I	69-3301TS <sup>2</sup>		Expedition	5.4L V8 F/I	63-2575 <sup>2</sup>	11.2 @ 4600
		69-3301TP <sup>2</sup>				57-2575 <sup>2</sup>	
		69-3301TB <sup>2</sup>		F150	4.6L V8 F/I	77-2580KP <sup>2</sup>	
Stilo	2.4L L5 F/I	69-3302TS <sup>2</sup>				63-2580 <sup>2</sup>	
		69-3302TP <sup>2</sup>		F150	5.4L V8 F/I	63-2575 <sup>2</sup>	11.2 @ 4600
		69-3302TB <sup>2</sup>				57-2575 <sup>2</sup>	
<b>2003 FIAT</b>				F150 Raptor	6.2L V8 F/I	77-2579KTK <sup>2</sup>	
Punto	1.8L L4 F/I	69-3300TR <sup>2</sup>		F250 Super Duty	5.4L V8 F/I	77-2577KTK <sup>2</sup>	13.9 @ 4077
		69-3300TP <sup>2</sup>		F250 Super Duty	6.4L V8 DSL	57-2576 <sup>1</sup>	16.4 @ 2600
Stilo	1.6L L4 F/I	69-3301TS <sup>2</sup>		F350 Super Duty	5.4L V8 F/I	77-2577KTK <sup>2</sup>	13.9 @ 4077
		69-3301TP <sup>2</sup>		F350 Super Duty	6.4L V8 DSL	57-2576 <sup>1</sup>	16.4 @ 2600
		69-3301TB <sup>2</sup>		F450 Super Duty	6.4L V8 DSL	57-2576 <sup>1</sup>	16.4 @ 2600
Stilo	2.4L L5 F/I	69-3302TS <sup>2</sup>		F550 Super Duty	6.4L V8 DSL	57-2576 <sup>1</sup>	16.4 @ 2600
		69-3302TP <sup>2</sup>		Flex	3.5L V6 F/I	77-2578KS <sup>2</sup>	9.2 @ 4914
		69-3302TB <sup>2</sup>		Focus	2.0L L4 F/I - PZEV	69-3516TTK <sup>2</sup>	5.8 @ 5000
<b>2002 FIAT</b>				Mustang	4.0L V6 F/I	69-3525TS <sup>2</sup>	5.2 @ 4700
Punto	1.8L L4 F/I	69-3300TS <sup>2</sup>				63-2577 <sup>2</sup>	7.4 @ 4700
		69-3300TR <sup>2</sup>		Mustang GT	4.6L V8 F/I	69-3526TP <sup>2</sup>	
		69-3300TP <sup>2</sup>		Mustang Shelby GT500	5.4L V8 F/I	63-2579 <sup>2</sup>	
		69-3300TB <sup>2</sup>		Ranger	4.0L V6 F/I	77-2561KP <sup>2</sup>	11.2 @ 4950
Stilo	1.6L L4 F/I	69-3301TS <sup>2</sup>				63-1108 <sup>2</sup>	13.5 @ 5129
		69-3301TP <sup>2</sup>		<b>2009 FORD</b>			
		69-3301TB <sup>2</sup>		E350 Super Duty	6.8L V10 F/I	77-2570KTK <sup>2</sup>	17.5 @ 4101
Stilo	2.4L L5 F/I	69-3302TS <sup>2</sup>		E450 Super Duty	6.8L V10 F/I	77-2570KTK <sup>2</sup>	17.5 @ 4101
		69-3302TP <sup>2</sup>		Edge	3.5L V6 F/I	77-2574KS <sup>2</sup>	11.2 @ 5797
		69-3302TB <sup>2</sup>		Expedition	5.4L V8 F/I	63-2575 <sup>2</sup>	11.2 @ 4600
						57-2575 <sup>2</sup>	

1) Street legal in all US states. 2) Street legal in most states, but not legal for use in California or other states with similar emission control regulations.

\* Estimated horsepower gains are based on specific or similar vehicle dyno tests. Results will vary. See Page 81 for more information.

Partial Listing - Complete List of Vehicles and Applications at knfilters.com. See page 82 for information on intake tube materials/colors.

# Intake Systems

# FORD

Vehicle	Engine Type	Intake Kit	Estimated Horsepower*	Vehicle	Engine Type	Intake Kit	Estimated Horsepower*
<b>2009 FORD</b>				<b>2007 FORD</b>			
<b>F150</b>	4.6L V8 F/I	77-2580KP <sup>2</sup> 63-2580 <sup>2</sup>		<b>E550 Motorhome</b>	6.8L V10 F/I - Class C	77-2570KTK <sup>2</sup>	17.5 @ 4101
<b>F150</b>	5.4L V8 F/I	63-2575 <sup>2</sup> 57-2575 <sup>2</sup>	11.2 @ 4600	<b>Edge</b>	3.5L V6 F/I	77-2574KS <sup>2</sup>	11.2 @ 5797
<b>F250 Super Duty</b>	5.4L V8 F/I	77-2577KTK <sup>2</sup>	13.9 @ 4077	<b>Expedition</b>	5.4L V8 F/I	63-2575 <sup>2</sup> 57-2575 <sup>2</sup>	11.2 @ 4600
<b>F250 Super Duty</b>	6.4L V8 DSL	57-2576 <sup>1</sup>	16.4 @ 2600	<b>Explorer</b>	4.6L V8 F/I	77-2573KP <sup>1</sup> 57-2573 <sup>1</sup>	10.0 @ 4700 11.0 @ 4500
<b>F350 Super Duty</b>	5.4L V8 F/I	77-2577KTK <sup>2</sup>	13.9 @ 4077	<b>F150</b>	4.6L V8 F/I	57-2574 <sup>1</sup>	9.9 @ 4200
<b>F350 Super Duty</b>	6.4L V8 DSL	57-2576 <sup>1</sup>	16.4 @ 2600	<b>F150</b>	5.4L V8 F/I	77-2556KP <sup>1</sup>	9.6 @ 3724
<b>F450 Super Duty</b>	6.4L V8 DSL	57-2576 <sup>1</sup>	16.4 @ 2600	<b>F250 Harley Davidson Super Duty</b>	6.0L V8 DSL	57-2556 <sup>1</sup> 57-2546-1 <sup>1</sup>	15.5 @ 3829 15.5 @ 3426
<b>F550 Super Duty</b>	6.4L V8 DSL	57-2576 <sup>1</sup>	16.4 @ 2600	<b>F250 Super Duty</b>	5.4L V8 F/I	77-2577KTK <sup>2</sup>	13.9 @ 4077
<b>Flex</b>	3.5L V6 F/I	77-2578KS <sup>2</sup>	9.2 @ 4914	<b>F250 Super Duty</b>	6.0L V8 DSL	57-2546-1 <sup>1</sup>	15.5 @ 3426
<b>Focus</b>	2.0L L4 F/I - PZEV	69-3513TTK <sup>2</sup>	5.2 @ 5400	<b>F350 Cutaway</b>	6.0L V8 DSL	57-2546-1 <sup>1</sup>	15.5 @ 3426
<b>Fusion</b>	2.3L L4 F/I	69-3514TTK <sup>2</sup>	6.1 @ 4200	<b>F350 Harley Davidson Super Duty</b>	6.0L V8 DSL	57-2546-1 <sup>1</sup>	15.5 @ 3426
<b>Fusion</b>	3.0L V6 F/I	69-3515TS <sup>2</sup>	11.9 @ 5001	<b>F550 Super Duty</b>	6.0L V8 DSL	57-2546-1 <sup>1</sup>	15.5 @ 3426
<b>Mustang</b>	4.0L V6 F/I	69-3522TP <sup>2</sup> 63-2566 <sup>2</sup>	7.1 @ 5200 7.5 @ 4996	<b>Fiesta V</b>	2.0L L4 F/I	69-4002TB <sup>2</sup>	5.2 @ 5400
<b>Mustang GT</b>	4.6L V8 F/I	69-3523KP <sup>2</sup> 63-2565 <sup>2</sup>	8.8 @ 5208 15.3 @ 6000	<b>Focus</b>	2.0L L4 F/I - PZEV	69-3513TTK <sup>2</sup>	5.2 @ 5400
<b>Mustang Shelby</b>	5.4L V8 F/I	63-2571 <sup>2</sup>	57.0 @ 5900	<b>Focus</b>	2.3L L4 F/I	69-3512TR <sup>2</sup> 69-3512TP <sup>2</sup>	8.5 @ 5800 8.5 @ 5800
<b>Ranger</b>	4.0L V6 F/I	77-2561KP <sup>2</sup> 63-1108 <sup>2</sup>	11.2 @ 4950 13.5 @ 5129	<b>Fusion</b>	2.3L L4 F/I	69-3514TTK <sup>2</sup>	6.1 @ 4200
<b>2008 FORD</b>				<b>Fusion</b>	3.0L V6 F/I	69-3515TS <sup>2</sup>	11.9 @ 5001
<b>E350 Super Duty</b>	6.8L V10 F/I	77-2570KTK <sup>2</sup>	17.5 @ 4101	<b>Lobo</b>	4.6L V8 F/I	57-2574 <sup>2</sup>	9.9 @ 4200
<b>E450 Motorhome</b>	6.8L V10 F/I - Class C	77-2570KTK <sup>2</sup>	17.5 @ 4101	<b>Lobo</b>	5.4L V8 F/I	77-2556KP <sup>2</sup>	9.6 @ 3724
<b>E450 Super Duty</b>	6.8L V10 F/I	77-2570KTK <sup>2</sup>	17.5 @ 4101	<b>Mustang</b>	4.0L V6 F/I	69-3522TP <sup>1</sup> 57-2566 <sup>1</sup>	7.1 @ 5200 7.5 @ 4996
<b>E550 Motorhome</b>	6.8L V10 F/I - Class C	77-2570KTK <sup>2</sup>	17.5 @ 4101	<b>Mustang GT</b>	4.6L V8 F/I	69-3523KP <sup>2</sup> 63-2565 <sup>2</sup>	8.8 @ 5208 15.3 @ 6000
<b>Edge</b>	3.5L V6 F/I	77-2574KS <sup>2</sup>	11.2 @ 5797	<b>Mustang Shelby</b>	5.4L V8 F/I	57-2571 <sup>1</sup>	57.0 @ 5900
<b>Expedition</b>	5.4L V8 F/I	63-2575 <sup>2</sup> 57-2575 <sup>2</sup>	11.2 @ 4600	<b>Ranger</b>	3.0L V6 F/I	57-2560 <sup>1</sup>	10.0 @ 4921
<b>Explorer</b>	4.6L V8 F/I	77-2573KP <sup>2</sup> 63-2573 <sup>2</sup>	10.0 @ 4700 11.0 @ 4500	<b>Ranger</b>	4.0L V6 F/I	77-2561KP <sup>1</sup> 57-2561 <sup>1</sup>	11.2 @ 4950 13.5 @ 5129
<b>F150</b>	4.6L V8 F/I	63-2574 <sup>2</sup>	9.9 @ 4200	<b>2006 FORD</b>			
<b>F150</b>	5.4L V8 F/I	77-2556KP <sup>2</sup> 63-2556 <sup>2</sup>	9.6 @ 3724 15.5 @ 3829	<b>E350 Super Duty</b>	6.8L V10 F/I	77-2570KTK <sup>1</sup>	17.5 @ 4101
<b>F250 Super Duty</b>	5.4L V8 F/I	77-2577KTK <sup>2</sup>	13.9 @ 4077	<b>E450 Motorhome</b>	6.8L V10 F/I - Class C	77-2570KTK <sup>1</sup>	17.5 @ 4101
<b>F250 Super Duty</b>	6.4L V8 DSL	57-2576 <sup>1</sup>	16.4 @ 2600	<b>E450 Super Duty</b>	6.8L V10 F/I	77-2570KTK <sup>1</sup>	17.5 @ 4101
<b>F350 Super Duty</b>	5.4L V8 F/I	77-2577KTK <sup>2</sup>	13.9 @ 4077	<b>E550 Motorhome</b>	6.8L V10 F/I - Class C	77-2570KTK <sup>1</sup>	17.5 @ 4101
<b>F350 Super Duty</b>	6.4L V8 DSL	57-2576 <sup>1</sup>	16.4 @ 2600	<b>Expedition</b>	5.4L V8 F/I	77-2568KP <sup>1</sup> 57-2568 <sup>1</sup>	10.6 @ 3872 13.6 @ 3872
<b>F450 Super Duty</b>	6.4L V8 DSL	57-2576 <sup>1</sup>	16.4 @ 2600	<b>Explorer</b>	4.6L V8 F/I	77-2573KP <sup>1</sup> 57-2573 <sup>1</sup>	10.0 @ 4700 11.0 @ 4500
<b>F550 Super Duty</b>	6.4L V8 DSL	57-2576 <sup>1</sup>	16.4 @ 2600	<b>F150</b>	4.2L V6 F/I	57-2572 <sup>1</sup>	7.4 @ 4106
<b>Fiesta V</b>	2.0L L4 F/I	69-4002TB <sup>2</sup>	5.2 @ 5400	<b>F150</b>	4.6L V8 F/I	77-2569KP <sup>1</sup> 57-2569 <sup>1</sup>	7.7 @ 4775 8.5 @ 4775
<b>Focus</b>	2.0L L4 F/I - PZEV	69-3513TTK <sup>2</sup>	5.2 @ 5400	<b>F150</b>	5.4L V8 F/I	77-2556KP <sup>1</sup> 57-2556 <sup>1</sup>	9.6 @ 3724 15.5 @ 3829
<b>Fusion</b>	2.3L L4 F/I	69-3514TTK <sup>2</sup>	6.1 @ 4200	<b>F150</b>	6.0L V8 DSL	57-2546-1 <sup>1</sup>	15.5 @ 3426
<b>Fusion</b>	3.0L V6 F/I	69-3515TS <sup>2</sup>	11.9 @ 5001	<b>F250 Harley Davidson Super Duty</b>	6.0L V8 DSL	57-2546-1 <sup>1</sup>	15.5 @ 3426
<b>Lobo</b>	4.6L V8 F/I	77-2556KP <sup>2</sup> 63-2574 <sup>2</sup>	9.6 @ 3724 9.9 @ 4200	<b>F250 Super Duty</b>	5.4L V8 F/I	57-2570 <sup>1</sup>	21.5 @ 4387
<b>Mustang</b>	4.0L V6 F/I	69-3522TP <sup>2</sup> 63-2566 <sup>2</sup>	7.1 @ 5200 7.5 @ 4996	<b>F250 Super Duty</b>	6.0L V8 DSL	57-2546-1 <sup>1</sup>	15.5 @ 3426
<b>Mustang GT</b>	4.6L V8 F/I	69-3523KP <sup>2</sup> 63-2565 <sup>2</sup>	8.8 @ 5208 15.3 @ 6000	<b>F250 Super Duty</b>	6.8L V10 F/I	57-2567 <sup>1</sup>	16.2 @ 4450
<b>Mustang Shelby</b>	5.4L V8 F/I	63-2571 <sup>2</sup>	57.0 @ 5900	<b>F350</b>	5.4L V8 F/I	57-2570 <sup>1</sup>	21.5 @ 4387
<b>Ranger</b>	3.0L V6 F/I	63-1106 <sup>2</sup>	10.0 @ 4921	<b>F350 Cutaway</b>	6.0L V8 DSL	57-2546-1 <sup>1</sup>	15.5 @ 3426
<b>Ranger</b>	4.0L V6 F/I	77-2561KP <sup>2</sup> 63-1108 <sup>2</sup>	11.2 @ 4950 13.5 @ 5129	<b>2007 FORD</b>			
<b>2007 FORD</b>				<b>E350 Super Duty</b>	6.8L V10 F/I	77-2570KTK <sup>2</sup>	17.5 @ 4101
<b>E350 Super Duty</b>	6.8L V10 F/I	77-2570KTK <sup>2</sup>	17.5 @ 4101	<b>E450 Motorhome</b>	6.8L V10 F/I - Class C	77-2570KTK <sup>2</sup>	17.5 @ 4101
<b>E450 Motorhome</b>	6.8L V10 F/I - Class C	77-2570KTK <sup>2</sup>	17.5 @ 4101	<b>E450 Super Duty</b>	6.8L V10 F/I	77-2570KTK <sup>2</sup>	17.5 @ 4101
<b>E450 Super Duty</b>	6.8L V10 F/I	77-2570KTK <sup>2</sup>	17.5 @ 4101	<b>1) Street legal in all US states. 2) Street legal in most states, but not legal for use in California or other states with similar emission control regulations.</b>			

1) Street legal in all US states. 2) Street legal in most states, but not legal for use in California or other states with similar emission control regulations.

\* Estimated horsepower gains are based on specific or similar vehicle dyno tests. Results will vary. See Page 81 for more information.

Partial Listing - Complete List of Vehicles and Applications at knfilters.com. See page 82 for information on intake tube materials/colors.



# FORD

# Intake Systems

Vehicle	Engine Type	Intake Kit	Estimated Horsepower*	Vehicle	Engine Type	Intake Kit	Estimated Horsepower*
<b>2006 FORD</b>				<b>2005 FORD</b>			
F350 Harley Davidson Super Duty	6.0L V8 DSL	57-2546-1	15.5 @ 3426	Focus	2.3L L4 F/I	57-2559 <sup>1</sup>	11.9 @ 5797
F350 Super Duty	5.4L V8 F/I	57-2570 <sup>1</sup>	21.5 @ 4387	Mustang	4.0L V6 F/I	69-3522TP <sup>1</sup>	7.1 @ 5200
F350 Super Duty	6.0L V8 DSL	57-2546-1	15.5 @ 3426			57-2566 <sup>1</sup>	7.5 @ 4996
F350 Super Duty	6.8L V10 F/I	57-2567 <sup>1</sup>	16.2 @ 4450	Mustang GT	4.6L V8 F/I	69-3523KP <sup>1</sup>	8.8 @ 5208
F450 Super Duty	6.0L V8 DSL	57-2546-1	15.5 @ 3426			57-2565 <sup>1</sup>	15.3 @ 6000
F550 Super Duty	6.0L V8 DSL	57-2546-1	15.5 @ 3426	Ranger	3.0L V6 F/I	57-2560 <sup>1</sup>	10.0 @ 4921
Fiesta V	2.0L L4 F/I	69-4002TB <sup>2</sup>		Ranger	4.0L V6 F/I	77-2561KP <sup>1</sup>	11.2 @ 4950
Focus	2.3L L4 F/I	69-3512TR <sup>2</sup>	8.5 @ 5800			57-2561 <sup>1</sup>	13.5 @ 5129
		69-3512TP <sup>2</sup>	8.5 @ 5800	Thunderbird	3.9L V8 F/I	57-2562 <sup>1</sup>	15.8 @ 6000
Fusion	2.3L L4 F/I	69-3514TTK <sup>2</sup>	6.1 @ 4200	<b>2004 FORD</b>			
Fusion	3.0L V6 F/I	69-3515TS <sup>2</sup>	11.9 @ 5001	E350 Super Duty	6.8L V10 F/I	77-2570KTK <sup>1</sup>	17.5 @ 4101
Mustang	4.0L V6 F/I	69-3522TP <sup>1</sup>	7.1 @ 5200	E450 Motorhome	6.8L V10 F/I - Class C	77-2570KTK <sup>1</sup>	17.5 @ 4101
		57-2566 <sup>1</sup>	7.5 @ 4996	E450 Super Duty	6.8L V10 F/I	77-2570KTK <sup>1</sup>	17.5 @ 4101
Mustang GT	4.6L V8 F/I	69-3523KP <sup>1</sup>	8.8 @ 5208	Excursion	5.4L V8 F/I	57-2525-2 <sup>1</sup>	11.6 @ 4480
		57-2565 <sup>1</sup>	15.3 @ 6000	Excursion	6.0L V8 DSL	57-2546-1 <sup>1</sup>	15.5 @ 3426
Ranger	3.0L V6 F/I	57-2560 <sup>1</sup>	10.0 @ 4921	Excursion	6.8L V10 F/I	57-2524-2 <sup>1</sup>	12.0 @ 4140
Ranger	4.0L V6 F/I	77-2561KP <sup>1</sup>	11.2 @ 4950	Expedition	4.6L V8 F/I	77-2514KP <sup>2</sup>	9.7 @ 4093
		57-2561 <sup>1</sup>	13.5 @ 5129			57-2538 <sup>1</sup>	10.2 @ 4618
<b>2005 FORD</b>				Expedition	5.4L V8 F/I	77-2514KP <sup>2</sup>	9.7 @ 4093
E350 Super Duty	6.8L V10 F/I	77-2570KTK <sup>1</sup>	17.5 @ 4101			57-2538 <sup>1</sup>	10.2 @ 4618
E450 Motorhome	6.8L V10 F/I - Class C	77-2570KTK <sup>1</sup>	17.5 @ 4101	Explorer	4.6L V8 F/I	57-2564 <sup>1</sup>	10.4 @ 4921
E450 Super Duty	6.8L V10 F/I	77-2570KTK <sup>1</sup>	17.5 @ 4101	Explorer Sport Trac	4.0L V6 F/I	77-2529KP <sup>1</sup>	5.3 @ 5095
Excursion	5.4L V8 F/I	57-2570 <sup>1</sup>	21.5 @ 4387			57-2529-1 <sup>1</sup>	6.9 @ 5243
Excursion	6.0L V8 DSL	57-2546-1 <sup>1</sup>	15.5 @ 3426	F150	4.6L V8 F/I	77-2557KP <sup>1</sup>	9.3 @ 4724
Excursion	6.8L V10 F/I	57-2524-2 <sup>1</sup>	12.0 @ 4140			57-2557 <sup>1</sup>	7.8 @ 4828
Expedition	5.4L V8 F/I	77-2556KP <sup>1</sup>	9.6 @ 3724	F150	5.4L V8 F/I	77-2556KP <sup>1</sup>	9.6 @ 3724
		57-2556 <sup>1</sup>	15.5 @ 3829			57-2556 <sup>1</sup>	15.5 @ 3829
Explorer	4.6L V8 F/I	57-2564 <sup>1</sup>	10.4 @ 4921	F150 Heritage	4.2L V6 F/I	77-2550KP <sup>1</sup>	6.2 @ 4567
F150	4.2L V6 F/I	57-2572 <sup>1</sup>	7.4 @ 4106			57-2550 <sup>1</sup>	7.6 @ 4891
F150	4.6L V8 F/I	77-2557KP <sup>1</sup>	9.3 @ 4724	F150 Heritage	4.6L V8 F/I	77-2514KP <sup>1</sup>	9.7 @ 4093
		57-2557 <sup>1</sup>	7.8 @ 4828			57-2541 <sup>1</sup>	13.1 @ 4562
F150	5.4L V8 F/I	77-2556KP <sup>1</sup>	9.6 @ 3724	F150 Lightning	5.4L V8 F/I	57-2549 <sup>1</sup>	15.6 @ 5162
		57-2556 <sup>1</sup>	15.5 @ 3829	F250 Harley Davidson Super Duty	6.0L V8 DSL	57-2546-1 <sup>1</sup>	15.5 @ 3426
F250 Harley Davidson Super Duty	6.0L V8 DSL	57-2546-1 <sup>1</sup>	15.5 @ 3426	F250 Super Duty	5.4L V8 F/I	57-2525-2 <sup>1</sup>	11.6 @ 4480
F250 Harley Davidson Super Duty	6.8L V10 F/I	57-2567 <sup>1</sup>	16.2 @ 4450	F250 Super Duty	6.0L V8 DSL	57-2546-1 <sup>1</sup>	15.5 @ 3426
F250 Super Duty	5.4L V8 F/I	57-2570 <sup>1</sup>	21.5 @ 4387	F250 Super Duty	6.8L V10 F/I	57-2524-2 <sup>1</sup>	12.0 @ 4140
F250 Super Duty	6.0L V8 DSL	57-2546-1 <sup>1</sup>	15.5 @ 3426	F350	5.4L V8 F/I	57-2525-2 <sup>1</sup>	11.6 @ 4480
F250 Super Duty	6.8L V10 F/I	57-2567 <sup>1</sup>	16.2 @ 4450	F350 Super Duty	5.4L V8 F/I	57-2525-2 <sup>1</sup>	11.6 @ 4480
F350	5.4L V8 F/I	57-2570 <sup>1</sup>	21.5 @ 4387	F350 Super Duty	6.0L V8 DSL	57-2546-1 <sup>1</sup>	15.5 @ 3426
F350 Harley Davidson Super Duty	6.0L V8 DSL	57-2546-1 <sup>1</sup>	15.5 @ 3426	F350 Super Duty	6.8L V10 F/I	57-2524-2 <sup>1</sup>	12.0 @ 4140
F350 Harley Davidson Super Duty	6.8L V10 F/I	57-2567 <sup>1</sup>	16.2 @ 4450	F450 Super Duty	6.0L V8 DSL	57-2546-1 <sup>1</sup>	15.5 @ 3426
F350 Super Duty	5.4L V8 F/I	57-2570 <sup>1</sup>	21.5 @ 4387	F550 Super Duty	6.0L V8 DSL	57-2546-1 <sup>1</sup>	15.5 @ 3426
F350 Super Duty	6.0L V8 DSL	57-2546-1 <sup>1</sup>	15.5 @ 3426	Focus	1.8L L4 F/I	69-4000TS <sup>2</sup>	
F350 Super Duty	6.8L V10 F/I	57-2567 <sup>1</sup>	16.2 @ 4450			69-4000TB <sup>2</sup>	
F450 Super Duty	6.0L V8 DSL	57-2546-1 <sup>1</sup>	15.5 @ 3426	Focus	2.0L L4 F/I - DOHC	57-2526-2 <sup>1</sup>	3.3 @ 5100
F550 Super Duty	6.0L V8 DSL	57-2546-1 <sup>1</sup>	15.5 @ 3426	Focus	2.0L L4 F/I - Non-US	69-4000TS <sup>2</sup>	
Fiesta V	2.0L L4 F/I	69-4002TB <sup>2</sup>				69-4000TB <sup>2</sup>	
Focus	2.0L L4 F/I - exc. PZEV	57-2559 <sup>1</sup>	11.9 @ 5797	Focus	2.3L L4 F/I	69-3512TR <sup>2</sup>	8.5 @ 5800
Focus	2.3L L4 F/I	69-3512TR <sup>2</sup>	8.5 @ 5800			69-3512TP <sup>2</sup>	8.5 @ 5800
		69-3512TP <sup>2</sup>	8.5 @ 5800	Focus ST170	2.0L L4 F/I	63-1101 <sup>2</sup>	11.9 @ 5797
						69-3511TR <sup>2</sup>	6.2 @ 5000
				Focus SVT	2.0L L4 F/I	69-3511TP <sup>2</sup>	6.2 @ 5000
						69-3511TR <sup>1</sup>	6.2 @ 5000
						69-3511TP <sup>1</sup>	6.2 @ 5000
						57-2547 <sup>1</sup>	5.5 @ 6500
				Mustang	3.8L V6 F/I	57-2532 <sup>1</sup>	6.9 @ 4825
				Mustang GT	4.6L V8 F/I	69-3521TP <sup>1</sup>	6.8 @ 4600

1) Street legal in all US states. 2) Street legal in most states, but not legal for use in California or other states with similar emission control regulations.

\* Estimated horsepower gains are based on specific or similar vehicle dyno tests. Results will vary. See Page 81 for more information.

Partial Listing - Complete List of Vehicles and Applications at knfilters.com. See page 82 for information on intake tube materials/colors.

# Intake Systems

# FORD

Vehicle	Engine Type	Intake Kit	Estimated Horsepower*	Vehicle	Engine Type	Intake Kit	Estimated Horsepower*
<b>2004 FORD</b>				<b>2003 FORD</b>			
Mustang GT	4.6L V8 F/I	57-2519-3 <sup>1</sup>	10.1 @ 4945	Focus ST170	2.0L L4 F/I	69-3511TR <sup>2</sup>	6.2 @ 5000
Mustang Mach 1	4.6L V8 F/I	57-2555 <sup>1</sup>	12.6 @ 5100	Focus SVT	2.0L L4 F/I	69-3511TP <sup>2</sup>	6.2 @ 5000
Mustang SVT Cobra	4.6L V8 F/I	57-2545 <sup>1</sup>	30.3 @ 5900	Mustang	3.8L V6 F/I	69-3511TR <sup>1</sup>	6.2 @ 5000
Ranger	3.0L V6 F/I	57-2560 <sup>1</sup>	10.0 @ 4921	Mustang GT	4.6L V8 F/I	69-3511TP <sup>1</sup>	6.2 @ 5000
Ranger	4.0L V6 F/I	77-2561KP <sup>1</sup>	11.2 @ 4950	Mustang Mach 1	4.6L V8 F/I	57-2547 <sup>1</sup>	5.5 @ 6500
Thunderbird	3.9L V8 F/I	57-2561 <sup>1</sup>	13.5 @ 5129	Mustang SVT Cobra	4.6L V8 F/I	57-2532 <sup>1</sup>	6.9 @ 4825
		69-3520TP <sup>1</sup>	8.0 @ 5379	Ranger	2.3L L4 F/I	69-3521TP <sup>1</sup>	6.8 @ 4600
		57-2562 <sup>1</sup>	15.8 @ 6000	Ranger	3.0L V6 F/I	57-2519-3 <sup>1</sup>	10.1 @ 4945
<b>2003 FORD</b>				<b>2002 FORD</b>			
Crown Victoria	4.6L V8 F/I	57-2553 <sup>1</sup>	13.1 @ 4979	Crown Victoria	4.6L V8 F/I	57-2555 <sup>1</sup>	12.6 @ 5100
E450 Motorhome	6.8L V10 F/I - Class C	77-2570KTK <sup>1</sup>	17.5 @ 4101	Mustang SVT Cobra	4.6L V8 F/I	57-2545 <sup>1</sup>	30.3 @ 5900
E450 Super Duty	6.8L V10 F/I	77-2570KTK <sup>1</sup>	17.5 @ 4101	Ranger	2.3L L4 F/I	77-2552KP <sup>1</sup>	6.1 @ 4498
E450 Super Duty Stripped Chassis	6.8L V10 F/I	77-2570KTK <sup>1</sup>	17.5 @ 4101	Ranger	3.0L V6 F/I	57-2552 <sup>1</sup>	6.8 @ 4874
Escort ZX2	2.0L L4 F/I	69-3500TP <sup>1</sup>	4.6 @ 5700	Ranger	4.0L V6 F/I	57-2554 <sup>1</sup>	9.4 @ 4848
Excursion	5.4L V8 F/I	69-3500TB <sup>1</sup>	4.6 @ 5700	Thunderbird	3.9L V8 F/I	77-2529KP <sup>1</sup>	5.3 @ 5095
Excursion	6.0L V8 DSL	57-2525-2 <sup>1</sup>	11.6 @ 4480			57-2529-1 <sup>1</sup>	6.9 @ 5243
Excursion	6.8L V10 F/I	57-2546-1 <sup>1</sup>	15.5 @ 3426			69-3520TP <sup>1</sup>	8.0 @ 5379
Excursion	6.8L V10 F/I	57-2524-2 <sup>1</sup>	12.0 @ 4140			57-2562 <sup>1</sup>	15.8 @ 6000
Excursion	7.3L V8 DSL	57-2530 <sup>1</sup>	14.9 @ 2925	<b>2002 FORD</b>			
Expedition	4.6L V8 F/I	77-2514KP <sup>2</sup>	9.7 @ 4093	Crown Victoria	4.6L V8 F/I	57-2544 <sup>1</sup>	16.9 @ 5000
Expedition	5.4L V8 F/I	57-2538 <sup>1</sup>	10.2 @ 4618	E350 Econoline Club Wagon	6.8L V10 F/I	77-2570KTK <sup>1</sup>	17.5 @ 4101
Explorer	4.0L V6 F/I	77-2514KP <sup>2</sup>	9.7 @ 4093	E450 Econoline Super Duty	6.8L V10 F/I	77-2570KTK <sup>1</sup>	17.5 @ 4101
Explorer	4.6L V8 F/I	57-2537 <sup>1</sup>	7.3 @ 4890	E450 Econoline Super Duty Stripped	6.8L V10 F/I	77-2570KTK <sup>1</sup>	17.5 @ 4101
Explorer Sport	4.0L V6 F/I	57-2539 <sup>1</sup>	8.6 @ 4486	E450 Motorhome	6.8L V10 F/I - Class C	77-2570KTK <sup>1</sup>	17.5 @ 4101
Explorer Sport Trac	4.0L V6 F/I	77-2529KP <sup>1</sup>	5.3 @ 5095	Escort ZX2	2.0L L4 F/I	69-3500TP <sup>1</sup>	4.6 @ 5700
F150	4.2L V6 F/I	57-2529-1 <sup>1</sup>	6.9 @ 5243	Excursion	5.4L V8 F/I	69-3500TB <sup>1</sup>	4.6 @ 5700
F150	4.6L V8 F/I	77-2529KP <sup>1</sup>	5.3 @ 5095	Excursion	6.8L V10 F/I	57-2525-2 <sup>1</sup>	11.6 @ 4482
F150	5.4L V8 F/I	57-2529-1 <sup>1</sup>	6.9 @ 5243	Excursion	6.8L V10 F/I	57-2524-2 <sup>1</sup>	12.0 @ 4140
F150 Harley Davidson	5.4L V8 F/I	57-2550KP <sup>1</sup>	6.2 @ 4567	Excursion	7.3L V8 DSL	57-2530 <sup>1</sup>	14.9 @ 2925
F150 Lightning	5.4L V8 F/I	57-2550 <sup>1</sup>	7.6 @ 4891	Expedition	4.6L V8 F/I	77-2514KP <sup>1</sup>	9.7 @ 4093
F250 Super Duty	5.4L V8 F/I	77-2514KP <sup>1</sup>	9.7 @ 4093	Expedition	5.4L V8 F/I	57-2541 <sup>1</sup>	13.1 @ 4562
F250 Super Duty	6.0L V8 DSL	57-2541 <sup>1</sup>	13.1 @ 4562	Expedition	5.4L V8 F/I	57-2514-4 <sup>1</sup>	9.8 @ 4198
F250 Super Duty	6.0L V8 DSL	57-2549 <sup>1</sup>	15.6 @ 5162	Explorer	4.0L V6 F/I	57-2541 <sup>1</sup>	13.1 @ 4562
F250 Super Duty	6.8L V10 F/I	57-2549 <sup>1</sup>	15.6 @ 5162	Explorer	4.6L V8 F/I	57-2514-4 <sup>1</sup>	9.8 @ 4198
F250 Super Duty	7.3L V8 DSL	57-2525-2 <sup>1</sup>	11.6 @ 4480	Explorer Sport	4.0L V6 F/I	57-2537 <sup>1</sup>	7.3 @ 4890
F250 Super Duty	7.3L V8 DSL	57-2546-1 <sup>1</sup>	15.5 @ 3426	Explorer Sport Trac	4.0L V6 F/I	57-2539 <sup>1</sup>	8.6 @ 4486
F350 Super Duty	5.4L V8 F/I	57-2524-2 <sup>1</sup>	12.0 @ 4140	F150	4.2L V6 F/I	77-2529KP <sup>1</sup>	5.3 @ 5095
F350 Super Duty	5.4L V8 F/I	57-2530 <sup>1</sup>	14.9 @ 2925	F150	4.6L V8 F/I	57-2529-1 <sup>1</sup>	6.9 @ 5243
F350 Super Duty	6.0L V8 DSL	57-2525-2 <sup>1</sup>	11.6 @ 4480	F150	5.4L V8 F/I	77-2529KP <sup>1</sup>	5.3 @ 5095
F350 Super Duty	6.8L V10 F/I	57-2546-1 <sup>1</sup>	15.5 @ 3426	F150	6.8L V10 F/I	57-2529-1 <sup>1</sup>	6.9 @ 5243
F350 Super Duty	6.8L V10 F/I	57-2524-2 <sup>1</sup>	12.0 @ 4140	F150	7.3L V8 DSL	77-2550KP <sup>1</sup>	6.2 @ 4567
F350 Super Duty	7.3L V8 DSL	57-2530 <sup>1</sup>	14.9 @ 2925	F150	7.3L V8 DSL	57-2550 <sup>1</sup>	7.6 @ 4891
F450 Super Duty	6.0L V8 DSL	57-2546-1 <sup>1</sup>	15.5 @ 3426	F150	6.0L V8 DSL	77-2514KP <sup>1</sup>	9.7 @ 4093
F550 Super Duty	6.0L V8 DSL	57-2546-1 <sup>1</sup>	15.5 @ 3426	F150	6.8L V10 F/I	57-2541 <sup>1</sup>	13.1 @ 4562
Focus	1.8L L4 F/I	69-4000TS <sup>2</sup>		F150	5.4L V8 F/I	57-2514-4 <sup>1</sup>	9.8 @ 4198
Focus	2.0L L4 F/I - DOHC	69-4000TB <sup>2</sup>		F150	5.4L V8 F/I	57-2541 <sup>1</sup>	13.1 @ 4562
Focus	2.0L L4 F/I - Non-US	69-3510TP <sup>1</sup>	3.9 @ 2931	F150	5.4L V8 F/I	57-2514-4 <sup>1</sup>	9.8 @ 4198
Focus	2.0L L4 F/I - Non-US	69-3510TB <sup>1</sup>	3.9 @ 2931	F150	5.4L V8 F/I	57-2549 <sup>1</sup>	15.6 @ 5162
Focus	2.3L L4 F/I	57-2526-2 <sup>1</sup>	3.3 @ 5100	F150 Harley Davidson	5.4L V8 F/I	57-2549 <sup>1</sup>	15.6 @ 5162
		69-4000TS <sup>2</sup>		F150 Lightning	5.4L V8 F/I	57-2549 <sup>1</sup>	15.6 @ 5162
		69-4000TB <sup>2</sup>		F250 Super Duty	5.4L V8 F/I	57-2525-2 <sup>1</sup>	11.6 @ 4480
		69-3512TR <sup>2</sup>	8.5 @ 5800	F250 Super Duty	6.8L V10 F/I	57-2524-2 <sup>1</sup>	12.0 @ 4140
		69-3512TP <sup>2</sup>	8.5 @ 5800	F250 Super Duty	7.3L V8 DSL	57-2530 <sup>1</sup>	14.9 @ 2925
		63-1101 <sup>2</sup>	11.9 @ 5797	F350 Super Duty	5.4L V8 F/I	57-2525-2 <sup>1</sup>	11.6 @ 4480
				F350 Super Duty	6.8L V10 F/I	57-2524-2 <sup>1</sup>	12.0 @ 4140

1) Street legal in all US states. 2) Street legal in most states, but not legal for use in California or other states with similar emission control regulations.

\* Estimated horsepower gains are based on specific or similar vehicle dyno tests. Results will vary. See Page 81 for more information. Partial Listing - Complete List of Vehicles and Applications at knfilters.com. See page 82 for information on intake tube materials/colors.

# FORD

# Intake Systems

Vehicle	Engine Type	Intake Kit	Estimated Horsepower*	Vehicle	Engine Type	Intake Kit	Estimated Horsepower*
<b>2002 FORD</b>				<b>2001 FORD</b>			
<b>F350 Super Duty</b>	7.3L V8 DSL	57-2530 <sup>1</sup>	14.9 @ 2925	<b>F150 Harley Davidson</b>	5.4L V8 F/I	57-2541 <sup>1</sup>	13.1 @ 4562
<b>Focus</b>	1.8L L4 F/I	69-4000TS <sup>2</sup>				57-2514-4 <sup>1</sup>	9.8 @ 4198
		69-4000TB <sup>2</sup>					
<b>Focus</b>	2.0L L4 F/I - DOHC	69-3510TP <sup>1</sup>	3.9 @ 2931	<b>F150 Lightning</b>	5.4L V8 F/I	57-2549 <sup>1</sup>	15.6 @ 5162
		69-3510TB <sup>1</sup>	3.9 @ 2931	<b>F250 Super Duty</b>	5.4L V8 F/I	57-2525-2 <sup>1</sup>	11.6 @ 4480
		57-2526-2 <sup>1</sup>	3.3 @ 5100	<b>F250 Super Duty</b>	6.8L V10 F/I	57-2524-2 <sup>1</sup>	12.0 @ 4140
<b>Focus</b>	2.0L L4 F/I - Non-US	69-4000TS <sup>2</sup>		<b>F250 Super Duty</b>	7.3L V8 DSL	57-2530 <sup>1</sup>	14.9 @ 2925
		69-4000TB <sup>2</sup>		<b>F350 Super Duty</b>	5.4L V8 F/I	57-2525-2 <sup>1</sup>	11.6 @ 4480
<b>Focus ST170</b>	2.0L L4 F/I	69-3511TR <sup>2</sup>	6.2 @ 5000	<b>F350 Super Duty</b>	6.8L V10 F/I	57-2524-2 <sup>1</sup>	12.0 @ 4140
		69-3511TP <sup>2</sup>	6.2 @ 5000	<b>F350 Super Duty</b>	7.3L V8 DSL	57-2530 <sup>1</sup>	14.9 @ 2925
<b>Focus SVT</b>	2.0L L4 F/I	69-3511TR <sup>1</sup>	6.2 @ 5000	<b>Focus</b>	1.8L L4 F/I	69-4000TS <sup>2</sup>	
		69-3511TP <sup>1</sup>	6.2 @ 5000			69-4000TB <sup>2</sup>	
		57-2547 <sup>1</sup>	5.5 @ 6500	<b>Focus</b>	2.0L L4 F/I - DOHC	69-3510TP <sup>1</sup>	3.9 @ 2931
<b>Mustang</b>	3.8L V6 F/I	57-2532 <sup>1</sup>	6.9 @ 4825			69-3510TB <sup>1</sup>	3.9 @ 2931
<b>Mustang GT</b>	4.6L V8 F/I	69-3521TP <sup>1</sup>	6.8 @ 4600			57-2526-2 <sup>1</sup>	3.3 @ 5100
		63-1008 <sup>2</sup>	4.5 @ 4216	<b>Focus</b>	2.0L L4 F/I - Non-US	69-4000TS <sup>2</sup>	
		57-2519-3 <sup>1</sup>	10.1 @ 4945			69-4000TB <sup>2</sup>	
<b>Ranger</b>	2.3L L4 F/I	77-2552KP <sup>1</sup>	6.1 @ 4498	<b>Mustang</b>	3.8L V6 F/I	57-2532 <sup>1</sup>	6.9 @ 4825
		57-2552 <sup>1</sup>	6.8 @ 4874	<b>Mustang GT</b>	4.6L V8 F/I	69-3524TP <sup>2</sup>	6.8 @ 4600
<b>Ranger</b>	3.0L V6 F/I	57-2554 <sup>1</sup>	9.4 @ 4848			63-1008 <sup>2</sup>	4.5 @ 4216
<b>Ranger</b>	4.0L V6 F/I	77-2529KP <sup>1</sup>	5.3 @ 5095			57-2519-3 <sup>1</sup>	10.1 @ 4945
		57-2529-1 <sup>1</sup>	6.9 @ 5243	<b>Mustang GT Bullitt</b>	4.6L V8 F/I	57-2523-2 <sup>1</sup>	12.1 @ 5860
				<b>Mustang SVT Cobra</b>	4.6L V8 F/I	63-1008 <sup>2</sup>	4.5 @ 4216
						57-2523-2 <sup>1</sup>	12.1 @ 5860
						77-2552KP <sup>1</sup>	6.1 @ 4498
						57-2552 <sup>1</sup>	6.8 @ 4874
						57-2540 <sup>1</sup>	6.6 @ 5000
						57-2533 <sup>1</sup>	5.6 @ 4721
						77-2529KP <sup>1</sup>	5.3 @ 5095
						57-2529-1 <sup>1</sup>	6.9 @ 5243
<b>2001 FORD</b>				<b>2000 FORD</b>			
<b>Crown Victoria</b>	4.6L V8 F/I	57-2544 <sup>1</sup>	16.9 @ 5000	<b>Crown Victoria</b>	4.6L V8 F/I	57-2544 <sup>1</sup>	16.9 @ 5000
<b>E350 Econoline</b>	6.8L V10 F/I	77-2570KTK <sup>1</sup>	17.5 @ 4101	<b>E350 Econoline</b>	6.8L V10 F/I	77-2570KTK <sup>1</sup>	17.5 @ 4101
<b>E350 Econoline Club Wagon</b>	6.8L V10 F/I	77-2570KTK <sup>1</sup>	17.5 @ 4101	<b>E350 Econoline Club Wagon</b>	6.8L V10 F/I	77-2570KTK <sup>1</sup>	17.5 @ 4101
<b>E450 Econoline Super Duty Stripped</b>	6.8L V10 F/I	77-2570KTK <sup>1</sup>	17.5 @ 4101	<b>E450 Econoline Super Duty</b>	6.8L V10 F/I	77-2570KTK <sup>1</sup>	17.5 @ 4101
<b>E450 Motorhome</b>	6.8L V10 F/I - Class C	77-2570KTK <sup>1</sup>	17.5 @ 4101	<b>E450 Econoline Super Duty Stripped</b>	6.8L V10 F/I	77-2570KTK <sup>1</sup>	17.5 @ 4101
<b>E550 Motorhome</b>	6.8L V10 F/I - Class C	77-2570KTK <sup>1</sup>	17.5 @ 4101	<b>E450 Motorhome</b>	6.8L V10 F/I - Class C	77-2570KTK <sup>1</sup>	17.5 @ 4101
<b>Escort ZX2</b>	2.0L L4 F/I	69-3500TP <sup>1</sup>	4.6 @ 5700	<b>Escort ZX2</b>	2.0L L4 F/I	69-3500TP <sup>1</sup>	4.6 @ 5700
		69-3500TB <sup>1</sup>	4.6 @ 5700			69-3500TB <sup>1</sup>	4.6 @ 5700
<b>Excursion</b>	5.4L V8 F/I	57-2525-2 <sup>1</sup>	11.6 @ 4480	<b>Excursion</b>	5.4L V8 F/I	57-2525-2 <sup>1</sup>	11.6 @ 4480
<b>Excursion</b>	6.8L V10 F/I	57-2524-2 <sup>1</sup>	12.0 @ 4140	<b>Excursion</b>	6.8L V10 F/I	57-2524-2 <sup>1</sup>	12.0 @ 4140
<b>Excursion</b>	7.3L V8 DSL	57-2530 <sup>1</sup>	14.9 @ 2925	<b>Excursion</b>	7.3L V8 DSL	57-2530 <sup>1</sup>	14.9 @ 2925
<b>Expedition</b>	4.6L V8 F/I	77-2514KP <sup>1</sup>	9.7 @ 4093	<b>Expedition</b>	4.6L V8 F/I	77-2514KP <sup>1</sup>	9.7 @ 4093
		57-2541 <sup>1</sup>	13.1 @ 4562			57-2541 <sup>1</sup>	13.1 @ 4562
		57-2514-4 <sup>1</sup>	9.8 @ 4198			57-2514-4 <sup>1</sup>	9.8 @ 4198
<b>Expedition</b>	5.4L V8 F/I	77-2514KP <sup>1</sup>	9.7 @ 4093	<b>Expedition</b>	5.4L V8 F/I	77-2514KP <sup>1</sup>	9.7 @ 4093
		57-2541 <sup>1</sup>	13.1 @ 4562			57-2541 <sup>1</sup>	13.1 @ 4562
		57-2514-4 <sup>1</sup>	9.8 @ 4198			57-2514-4 <sup>1</sup>	9.8 @ 4198
<b>Explorer</b>	4.0L V6 F/I	77-2529KP <sup>1</sup>	5.3 @ 5095	<b>Excursion</b>	5.4L V8 F/I	57-2525-2 <sup>1</sup>	11.6 @ 4480
		57-2529-1 <sup>1</sup>	6.9 @ 5243	<b>Excursion</b>	6.8L V10 F/I	57-2524-2 <sup>1</sup>	12.0 @ 4140
<b>Explorer Sport</b>	4.0L V6 F/I	77-2529KP <sup>1</sup>	5.3 @ 5095	<b>Excursion</b>	7.3L V8 DSL	57-2530 <sup>1</sup>	14.9 @ 2925
		57-2529-1 <sup>1</sup>	6.9 @ 5243	<b>Expedition</b>	4.6L V8 F/I	77-2514KP <sup>1</sup>	9.7 @ 4093
<b>Explorer Sport Trac</b>	4.0L V6 F/I - from 7/00	77-2529KP <sup>1</sup>	5.3 @ 5095			57-2541 <sup>1</sup>	13.1 @ 4562
		57-2529-1 <sup>1</sup>	6.9 @ 5243			57-2514-4 <sup>1</sup>	9.8 @ 4198
<b>Explorer Sport Trac F150</b>	4.0L V6 F/I - to 7/00	57-2528 <sup>1</sup>	8.6 @ 5303	<b>Expedition</b>	5.4L V8 F/I	77-2514KP <sup>1</sup>	9.7 @ 4093
	4.2L V6 F/I	77-2550KP <sup>1</sup>	6.2 @ 4567			57-2541 <sup>1</sup>	13.1 @ 4562
		57-2550 <sup>1</sup>	7.6 @ 4891			57-2514-4 <sup>1</sup>	9.8 @ 4198
<b>F150</b>	4.6L V8 F/I	77-2514KP <sup>1</sup>	9.7 @ 4093	<b>Explorer</b>	4.0L V6 F/I - OHV	77-2527KP <sup>2</sup>	8.4 @ 4476
		57-2541 <sup>1</sup>	13.1 @ 4562			57-2527 <sup>1</sup>	3.3 @ 3969
		57-2514-4 <sup>1</sup>	9.8 @ 4198	<b>Explorer</b>	4.0L V6 F/I - SOHC	77-2528KP <sup>2</sup>	12.0 @ 4764
<b>F150</b>	5.4L V8 F/I	77-2514KP <sup>1</sup>	9.7 @ 4093			57-2528 <sup>1</sup>	8.6 @ 5303
		57-2541 <sup>1</sup>	13.1 @ 4562	<b>F150</b>	4.2L V6 F/I	77-2550KP <sup>1</sup>	6.2 @ 4567
		57-2514-4 <sup>1</sup>	9.8 @ 4198			57-2550 <sup>1</sup>	7.6 @ 4891
<b>F150 Harley Davidson</b>	5.4L V8 F/I	77-2514KP <sup>1</sup>	9.7 @ 4093	<b>F150</b>	4.6L V8 F/I	77-2514KP <sup>1</sup>	9.7 @ 4093

1) Street legal in all US states. 2) Street legal in most states, but not legal for use in California or other states with similar emission control regulations.

\* Estimated horsepower gains are based on specific or similar vehicle dyno tests. Results will vary. See Page 81 for more information.

Partial Listing - Complete List of Vehicles and Applications at knfilters.com. See page 82 for information on intake tube materials/colors.

# Intake Systems

# FORD

Vehicle	Engine Type	Intake Kit	Estimated Horsepower*	Vehicle	Engine Type	Intake Kit	Estimated Horsepower*
<b>2000 FORD</b>				<b>1999 FORD</b>			
<b>F150</b>	4.6L V8 F/I	57-2541 <sup>1</sup>	13.1 @ 4562	<b>F150</b>	5.4L V8 F/I	57-2514-4 <sup>1</sup>	9.8 @ 4198
		57-2514-4 <sup>1</sup>	9.8 @ 4198	<b>F150 Lightning</b>	5.4L V8 F/I	57-2548 <sup>1</sup>	15.3 @ 5000
<b>F150</b>	5.4L V8 F/I	77-2514KP <sup>1</sup>	9.7 @ 4093	<b>F250</b>	4.6L V8 F/I	77-2514KP <sup>1</sup>	9.7 @ 4093
		57-2541 <sup>1</sup>	13.1 @ 4562	<b>F250</b>	5.4L V8 F/I	77-2514KP <sup>1</sup>	9.7 @ 4093
		57-2514-4 <sup>1</sup>	9.8 @ 4198			57-2525-2 <sup>1</sup>	11.6 @ 4480
<b>F150 Harley Davidson</b>	5.4L V8 F/I	77-2514KP <sup>1</sup>	9.7 @ 4093	<b>F250 Super Duty</b>	5.4L V8 F/I	57-2525-2 <sup>1</sup>	11.6 @ 4480
		57-2541 <sup>1</sup>	13.1 @ 4562	<b>F250 Super Duty</b>	6.8L V10 F/I	57-2524-2 <sup>1</sup>	12.0 @ 4140
		57-2514-4 <sup>1</sup>	9.8 @ 4198	<b>F250 Super Duty</b>	7.3L V8 DSL - from 12/98	57-2530 <sup>1</sup>	14.9 @ 2925
		57-2514-4 <sup>1</sup>	9.8 @ 4198	<b>F350 Super Duty</b>	5.4L V8 F/I	57-2525-2 <sup>1</sup>	11.6 @ 4480
<b>F150 Lightning</b>	5.4L V8 F/I	57-2548 <sup>1</sup>	15.3 @ 5000	<b>F350 Super Duty</b>	6.8L V10 F/I	57-2524-2 <sup>1</sup>	12.0 @ 4140
<b>F250 Super Duty</b>	5.4L V8 F/I	57-2525-2 <sup>1</sup>	11.6 @ 4480	<b>F350 Super Duty</b>	7.3L V8 DSL - from 12/98	57-2530 <sup>1</sup>	14.9 @ 2925
<b>F250 Super Duty</b>	6.8L V10 F/I	57-2524-2 <sup>1</sup>	12.0 @ 4140	<b>F450 Super Duty</b>	6.8L V10 F/I	57-2524-2 <sup>1</sup>	12.0 @ 4140
<b>F250 Super Duty</b>	7.3L V8 DSL	57-2530 <sup>1</sup>	14.9 @ 2925	<b>F450 Super Duty</b>	7.3L V8 DSL	57-2530 <sup>1</sup>	14.9 @ 2925
<b>F350 Super Duty</b>	5.4L V8 F/I	57-2525-2 <sup>1</sup>	11.6 @ 4480	<b>F550 Super Duty</b>	6.8L V10 F/I	57-2524-2 <sup>1</sup>	12.0 @ 4140
<b>F350 Super Duty</b>	6.8L V10 F/I	57-2524-2 <sup>1</sup>	12.0 @ 4140	<b>F550 Super Duty</b>	7.3L V8 DSL	57-2530 <sup>1</sup>	14.9 @ 2925
<b>F350 Super Duty</b>	7.3L V8 DSL	57-2530 <sup>1</sup>	14.9 @ 2925	<b>Focus</b>	1.8L L4 F/I	69-4000TS <sup>2</sup>	
<b>Focus</b>	1.8L L4 F/I	69-4000TS <sup>2</sup>				69-4000TB <sup>2</sup>	
		69-4000TB <sup>2</sup>		<b>Focus</b>	2.0L L4 F/I	69-4000TS <sup>2</sup>	
<b>Focus</b>	2.0L L4 F/I - DOHC	69-3510TP <sup>1</sup>	3.9 @ 2931			69-4000TB <sup>2</sup>	
		69-3510TB <sup>1</sup>	3.9 @ 2931	<b>Mustang</b>	3.8L V6 F/I	57-2532 <sup>1</sup>	6.9 @ 4825
		57-2526-2 <sup>1</sup>	3.3 @ 5100	<b>Mustang GT</b>	4.6L V8 F/I	69-3524TP <sup>2</sup>	6.8 @ 4600
<b>Focus</b>	2.0L L4 F/I - Non-US	69-4000TS <sup>2</sup>				63-1008 <sup>2</sup>	4.5 @ 4216
		69-4000TB <sup>2</sup>				57-2519-3 <sup>1</sup>	10.1 @ 4945
<b>Mustang</b>	3.8L V6 F/I	57-2532 <sup>1</sup>	6.9 @ 4820	<b>Mustang SVT Cobra</b>	4.6L V8 F/I	63-1008 <sup>2</sup>	4.5 @ 4216
<b>Mustang GT</b>	4.6L V8 F/I	69-3524TP <sup>2</sup>	6.8 @ 4600			57-2523-2 <sup>1</sup>	12.1 @ 5860
		63-1008 <sup>2</sup>	4.5 @ 4216	<b>Ranger</b>	2.5L L4 F/I	57-2540 <sup>1</sup>	6.6 @ 5000
		57-2519-3 <sup>1</sup>	10.1 @ 4945	<b>Ranger</b>	3.0L V6 F/I	57-2533 <sup>1</sup>	5.6 @ 4721
<b>Mustang SVT Cobra</b>	4.6L V8 F/I	63-1008 <sup>2</sup>	4.5 @ 4216	<b>Ranger</b>	4.0L V6 F/I	57-2527 <sup>1</sup>	3.3 @ 3969
<b>Ranger</b>	2.5L L4 F/I	57-2540 <sup>1</sup>	6.6 @ 5000	<b>Ranger</b>	4.0L V6 F/I - OHV	77-2527KP <sup>2</sup>	8.4 @ 4476
<b>Ranger</b>	3.0L V6 F/I	57-2533 <sup>1</sup>	5.6 @ 4721	<b>Ranger</b>	4.0L V6 F/I - SOHC	77-2528KP <sup>2</sup>	12.0 @ 4764
<b>Ranger</b>	4.0L V6 F/I	57-2527 <sup>1</sup>	3.3 @ 3969	<b>1998 FORD</b>			
<b>Ranger</b>	4.0L V6 F/I - OHV	77-2527KP <sup>2</sup>	8.4 @ 4476	<b>E350 Econoline</b>	6.8L V10 F/I	77-2570KTK <sup>1</sup>	17.5 @ 4101
<b>Ranger</b>	4.0L V6 F/I - SOHC	77-2528KP <sup>2</sup>	12.0 @ 4764	<b>E350 Econoline Club Wagon</b>	6.8L V10 F/I	77-2570KTK <sup>1</sup>	17.5 @ 4101
<b>1999 FORD</b>				<b>E450 Motorhome</b>	6.8L V10 F/I - Class C	77-2570KTK <sup>1</sup>	17.5 @ 4101
<b>Crown Victoria</b>	4.6L V8 F/I	57-2544 <sup>1</sup>	16.9 @ 5000	<b>Expedition</b>	4.6L V8 F/I	77-2514KP <sup>1</sup>	9.7 @ 4093
<b>E350 Econoline</b>	6.8L V10 F/I	77-2570KTK <sup>1</sup>	17.5 @ 4101			57-2541 <sup>1</sup>	13.1 @ 4562
<b>E350 Econoline Club Wagon</b>	6.8L V10 F/I	77-2570KTK <sup>1</sup>	17.5 @ 4101			57-2514-4 <sup>1</sup>	9.8 @ 4198
<b>E450 Motorhome</b>	6.8L V10 F/I - Class C	77-2570KTK <sup>1</sup>	17.5 @ 4101	<b>Expedition</b>	5.4L V8 F/I	77-2514KP <sup>1</sup>	9.7 @ 4093
<b>E550 Motorhome</b>	6.8L V10 F/I - Class C	77-2570KTK <sup>1</sup>	17.5 @ 4101			57-2541 <sup>1</sup>	13.1 @ 4562
<b>Expedition</b>	4.6L V8 F/I	77-2514KP <sup>1</sup>	9.7 @ 4093			57-2514-4 <sup>1</sup>	9.8 @ 4198
		57-2541 <sup>1</sup>	13.1 @ 4562	<b>Explorer</b>	4.0L V6 F/I - OHV	77-2527KP <sup>2</sup>	8.4 @ 4476
		57-2514-4 <sup>1</sup>	9.8 @ 4198			57-2527 <sup>1</sup>	3.3 @ 3969
<b>Expedition</b>	5.4L V8 F/I	77-2514KP <sup>1</sup>	9.7 @ 4093	<b>Explorer</b>	4.0L V6 F/I - SOHC	77-2528KP <sup>2</sup>	12.0 @ 4764
		57-2541 <sup>1</sup>	13.1 @ 4562			57-2528 <sup>1</sup>	8.6 @ 5303
		57-2514-4 <sup>1</sup>	9.8 @ 4198	<b>F150</b>	4.2L V6 F/I	77-2550KP <sup>1</sup>	6.2 @ 4567
<b>Explorer</b>	4.0L V6 F/I - OHV	77-2527KP <sup>2</sup>	8.4 @ 4476			57-2550 <sup>1</sup>	7.6 @ 4891
		57-2527 <sup>1</sup>	3.3 @ 3969	<b>F150</b>	4.6L V8 F/I	77-2514KP <sup>1</sup>	9.7 @ 4093
<b>Explorer</b>	4.0L V6 F/I - SOHC	77-2528KP <sup>2</sup>	12.0 @ 4764			57-2541 <sup>1</sup>	13.1 @ 4562
		57-2528 <sup>1</sup>	8.6 @ 5303			57-2514-4 <sup>1</sup>	9.8 @ 4198
<b>F150</b>	4.2L V6 F/I	77-2550KP <sup>1</sup>	6.2 @ 4567	<b>F150</b>	5.4L V8 F/I	77-2514KP <sup>1</sup>	9.7 @ 4093
		57-2550 <sup>1</sup>	7.6 @ 4891			57-2541 <sup>1</sup>	13.1 @ 4562
<b>F150</b>	4.6L V8 F/I	77-2514KP <sup>1</sup>	9.7 @ 4093			57-2514-4 <sup>1</sup>	9.8 @ 4198
		57-2541 <sup>1</sup>	13.1 @ 4562	<b>F250</b>	4.6L V8 F/I	77-2514KP <sup>1</sup>	9.7 @ 4093
		57-2514-4 <sup>1</sup>	9.8 @ 4198	<b>F250</b>	5.4L V8 F/I	77-2514KP <sup>1</sup>	9.7 @ 4093
<b>F150</b>	5.4L V8 F/I	77-2514KP <sup>1</sup>	9.7 @ 4093			57-2514-4 <sup>1</sup>	9.8 @ 4198
		57-2541 <sup>1</sup>	13.1 @ 4562	<b>Focus</b>	1.8L L4 F/I	69-4000TS <sup>2</sup>	

1) Street legal in all US states. 2) Street legal in most states, but not legal for use in California or other states with similar emission control regulations.

\* Estimated horsepower gains are based on specific or similar vehicle dyno tests. Results will vary. See Page 81 for more information. Partial Listing - Complete List of Vehicles and Applications at knfilters.com. See page 82 for information on intake tube materials/colors.

# FORD

# Intake Systems

Vehicle	Engine Type	Intake Kit	Estimated Horsepower*	Vehicle	Engine Type	Intake Kit	Estimated Horsepower*
<b>1998 FORD</b>				<b>1997 FORD</b>			
Focus	1.8L L4 F/I	69-4000TB <sup>2</sup>		Ranger	4.0L V6 F/I	77-2527KP <sup>2</sup>	8.4 @ 4476
Focus	2.0L L4 F/I	69-4000TS <sup>2</sup>		Ranger	4.0L V6 F/I - w/Panel Filter	57-2527 <sup>1</sup>	3.3 @ 3969
Mustang GT	4.6L V8 F/I	69-4000TB <sup>2</sup>		Ranger	4.0L V6 F/I - w/Round Filter	57-2513-1 <sup>1</sup>	
		63-1008 <sup>2</sup>	6.8 @ 4600	Thunderbird	3.8L V6 F/I	57-2505-1 <sup>1</sup>	4.7 @ 3418
		57-2519-3 <sup>1</sup>	4.5 @ 4216	Thunderbird	4.6L V8 F/I	57-2505-1 <sup>1</sup>	4.7 @ 3418
Mustang SVT Cobra	4.6L V8 F/I	63-1008 <sup>2</sup>	10.1 @ 4945	<b>1996 FORD</b>			
		57-2523-2 <sup>1</sup>	4.5 @ 4216	Bronco	5.0L V8 F/I - w/mass air	57-2543 <sup>1</sup>	10.2 @ 4201
Ranger	2.5L L4 F/I	57-2523-2 <sup>1</sup>	12.1 @ 5860			57-2510-1 <sup>1</sup>	9.7 @ 4313
Ranger	3.0L V6 F/I	57-2540 <sup>1</sup>	6.6 @ 5000	Bronco	5.0L V8 F/I - w/o mass air	63-1014 <sup>2</sup>	9.5 @ 3787
Ranger	4.0L V6 F/I - OHV	57-2533 <sup>1</sup>	5.6 @ 4721	Bronco	5.8L V8 F/I - w/mass air	57-2543 <sup>1</sup>	10.2 @ 4201
Ranger	4.0L V6 F/I - SOHC	77-2527KP <sup>2</sup>	8.4 @ 4476	Bronco	5.0L V8 F/I - w/o mass air	57-2510-1 <sup>1</sup>	9.7 @ 4313
		57-2527 <sup>1</sup>	3.3 @ 3969				
Ranger	4.0L V6 F/I - SOHC	77-2528KP <sup>2</sup>	12.0 @ 4764	Bronco	5.8L V8 F/I - w/o mass air	63-1014 <sup>2</sup>	9.5 @ 3787
<b>1997 FORD</b>				Explorer	4.0L V6 F/I	57-2536 <sup>1</sup>	5.9 @ 4202
E350 Econoline	6.8L V10 F/I	77-2570KTK <sup>1</sup>	17.5 @ 4101	Explorer	5.0L V8 F/I	57-2513-1 <sup>1</sup>	
E350 Econoline Club Wagon	6.8L V10 F/I	77-2570KTK <sup>1</sup>	17.5 @ 4101	Explorer F150	4.9L L6 F/I - w/mass air	57-2510-1 <sup>1</sup>	9.7 @ 4313
Expedition	4.6L V8 F/I	77-2514KP <sup>1</sup>	9.7 @ 4093	Explorer F150	4.9L L6 F/I - w/o mass air	63-1014 <sup>2</sup>	9.5 @ 3787
		57-2541 <sup>1</sup>	13.1 @ 4562	Explorer F150	5.0L V8 F/I - w/mass air	57-2543 <sup>1</sup>	10.2 @ 4201
		57-2514-4 <sup>1</sup>	9.8 @ 4198	Explorer F150	5.0L V8 F/I - w/o mass air	57-2510-1 <sup>1</sup>	9.7 @ 4313
Expedition	5.4L V8 F/I	77-2514KP <sup>1</sup>	9.7 @ 4093	Explorer F150	5.0L V8 F/I - w/o mass air	63-1014 <sup>2</sup>	9.5 @ 3787
		57-2541 <sup>1</sup>	13.1 @ 4562	Explorer F150	5.8L V8 F/I - w/o mass air	63-1014 <sup>2</sup>	9.5 @ 3787
Explorer	4.0L V6 F/I - OHV	57-2514-4 <sup>1</sup>	9.8 @ 4198	Explorer F150	5.8L V8 F/I - w/o mass air	63-1014 <sup>2</sup>	9.5 @ 3787
		77-2527KP <sup>2</sup>	8.4 @ 4476	Explorer F150	7.3L V8 DSL	57-2531 <sup>1</sup>	9.8 @ 3022
		57-2536 <sup>1</sup>	5.9 @ 4202	Explorer F150	7.5L V8 F/I - w/mass air	57-2516 <sup>1</sup>	
Explorer	4.0L V6 F/I - OHV, w/Panel Filter	57-2513-1 <sup>1</sup>	3.3 @ 3969	Explorer F150	7.5L V8 F/I - w/o mass air	63-1014 <sup>2</sup>	9.5 @ 3787
		57-2527 <sup>1</sup>	3.3 @ 3969	Explorer F150	5.8L V8 F/I - w/mass air	57-2510-1 <sup>1</sup>	9.7 @ 4313
Explorer	4.0L V6 F/I - SOHC	77-2528KP <sup>2</sup>	12.0 @ 4764	Explorer F150	5.8L V8 F/I - w/o mass air	63-1014 <sup>2</sup>	9.5 @ 3787
Explorer	5.0L V8 F/I - w/Round Filter	57-2528 <sup>1</sup>	8.6 @ 5303	Explorer F150	5.0L V8 F/I - w/mass air	57-2510-1 <sup>1</sup>	9.7 @ 4313
		57-2513-1 <sup>1</sup>		Explorer F250	5.0L V8 F/I - w/o mass air	63-1014 <sup>2</sup>	9.5 @ 3787
F150	4.2L V6 F/I	77-2550KP <sup>1</sup>	6.2 @ 4567	Explorer F250	5.8L V8 F/I - w/mass air	57-2510-1 <sup>1</sup>	9.7 @ 4313
F150	4.6L V8 F/I	57-2550 <sup>1</sup>	7.6 @ 4891	Explorer F250	5.8L V8 F/I - w/o mass air	63-1014 <sup>2</sup>	9.5 @ 3787
		77-2514KP <sup>1</sup>	9.7 @ 4093	Explorer F250	7.3L V8 DSL	57-2531 <sup>1</sup>	9.8 @ 3022
F150	5.4L V8 F/I	57-2541 <sup>1</sup>	13.1 @ 4562	Explorer F250	7.5L V8 F/I - w/mass air	57-2516 <sup>1</sup>	
		57-2514-4 <sup>1</sup>	9.8 @ 4198	Explorer F250	7.5L V8 F/I - w/o mass air	63-1014 <sup>2</sup>	9.5 @ 3787
		77-2514KP <sup>1</sup>	9.7 @ 4093	Explorer F350	5.8L V8 F/I - w/mass air	57-2510-1 <sup>1</sup>	9.7 @ 4313
F150	4.6L V8 F/I	57-2541 <sup>1</sup>	13.1 @ 4562	Explorer F350	5.8L V8 F/I - w/o mass air	63-1014 <sup>2</sup>	9.5 @ 3787
		57-2514-4 <sup>1</sup>	9.8 @ 4198	Explorer F350	5.8L V8 F/I - w/o mass air	63-1014 <sup>2</sup>	9.5 @ 3787
F150	5.4L V8 F/I	77-2514KP <sup>1</sup>	9.7 @ 4093	Explorer F350	7.3L V8 DSL	57-2531 <sup>1</sup>	9.8 @ 3022
		57-2541 <sup>1</sup>	13.1 @ 4562	Explorer F350	7.5L V8 F/I - w/mass air	57-2516 <sup>1</sup>	
F250	4.6L V8 F/I	57-2514-4 <sup>1</sup>	9.8 @ 4198	Explorer F350	7.5L V8 F/I - w/o mass air	63-1014 <sup>2</sup>	9.5 @ 3787
		77-2514KP <sup>1</sup>	9.7 @ 4093	Explorer F350	7.5L V8 F/I - w/o mass air	63-1014 <sup>2</sup>	9.5 @ 3787
F250	5.4L V8 F/I	57-2514-4 <sup>1</sup>	9.8 @ 4198	Explorer F350	7.5L V8 F/I - w/o mass air	63-1014 <sup>2</sup>	9.5 @ 3787
		77-2514KP <sup>1</sup>	9.7 @ 4093	Mustang GT	4.6L V8 F/I	69-3524TP <sup>2</sup>	6.8 @ 4600
F250	7.3L V8 DSL	57-2514-4 <sup>1</sup>	9.8 @ 4198	Mustang GT	63-1008 <sup>2</sup>	4.5 @ 4216	
		57-2531 <sup>1</sup>	9.8 @ 3022	Mustang GT	57-2519-3 <sup>1</sup>	10.1 @ 4945	
F250	7.5L V8 F/I - w/mass air	57-2516 <sup>1</sup>	9.5 @ 3787	Mustang GT	63-1008 <sup>2</sup>	4.5 @ 4216	
F250	7.5L V8 F/I - w/o mass air	63-1014 <sup>2</sup>	9.5 @ 3787	Mustang GT	57-2523-2 <sup>1</sup>	12.1 @ 5860	
		63-1014 <sup>2</sup>	9.5 @ 3787	Mustang GT	63-1008 <sup>2</sup>	4.5 @ 4216	
F350	7.3L V8 DSL	57-2531 <sup>1</sup>	9.8 @ 3022	Mustang GT	57-2519-3 <sup>1</sup>	10.1 @ 4945	
F350	7.5L V8 F/I - w/mass air	57-2516 <sup>1</sup>	9.5 @ 3787	Mustang GT	57-2523-2 <sup>1</sup>	12.1 @ 5860	
		63-1014 <sup>2</sup>	9.5 @ 3787	Mustang GT	63-1008 <sup>2</sup>	4.5 @ 4216	
F350	7.5L V8 F/I - w/o mass air	63-1014 <sup>2</sup>	9.5 @ 3787	Mustang GT	57-2523-2 <sup>1</sup>	12.1 @ 5860	
		63-1014 <sup>2</sup>	9.5 @ 3787	Mustang GT	63-1008 <sup>2</sup>	4.5 @ 4216	
Mustang GT	4.6L V8 F/I	69-3524TP <sup>2</sup>	6.8 @ 4600	Mustang GT	57-2519-3 <sup>1</sup>	10.1 @ 4945	
Mustang SVT Cobra	4.6L V8 F/I	63-1008 <sup>2</sup>	4.5 @ 4216	Mustang GT	57-2523-2 <sup>1</sup>	12.1 @ 5860	
		63-1008 <sup>2</sup>	4.5 @ 4216	Mustang GT	63-1008 <sup>2</sup>	4.5 @ 4216	
		57-2519-3 <sup>1</sup>	10.1 @ 4945	Mustang GT	57-2523-2 <sup>1</sup>	12.1 @ 5860	
Mustang SVT Cobra	4.6L V8 F/I	57-2519-3 <sup>1</sup>	10.1 @ 4945	Mustang GT	57-2510-1 <sup>1</sup>	9.7 @ 4313	
		63-1008 <sup>2</sup>	4.5 @ 4216	Mustang GT	57-2535 <sup>1</sup>	6.1 @ 5200	
Mustang SVT Cobra	4.6L V8 F/I	57-2523-2 <sup>1</sup>	12.1 @ 5860	Mustang GT	4.0L V6 F/I	57-2513-1 <sup>1</sup>	
		63-1008 <sup>2</sup>	4.5 @ 4216	Mustang GT	3.8L V6 F/I	57-2505-1 <sup>1</sup>	4.7 @ 3418
Probe	2.5L V6 F/I - US	57-2507 <sup>1</sup>	6.1 @ 5200	Probe	2.5L V6 F/I - US	57-2507 <sup>1</sup>	
Ranger	2.3L L4 F/I - Manual Trans.	57-2535 <sup>1</sup>	6.1 @ 5200	Ranger	2.3L L4 F/I - Manual Trans.	57-2535 <sup>1</sup>	6.1 @ 5200
				Ranger	4.0L V6 F/I	57-2513-1 <sup>1</sup>	
				Thunderbird	3.8L V6 F/I	57-2505-1 <sup>1</sup>	4.7 @ 3418

1) Street legal in all US states. 2) Street legal in most states, but not legal for use in California or other states with similar emission control regulations.

\* Estimated horsepower gains are based on specific or similar vehicle dyno tests. Results will vary. See Page 81 for more information.

Partial Listing - Complete List of Vehicles and Applications at knfilters.com. See page 82 for information on intake tube materials/colors.



# Intake Systems

# FORD

Vehicle	Engine Type	Intake Kit	Estimated Horsepower*	Vehicle	Engine Type	Intake Kit	Estimated Horsepower*
<b>1996 FORD</b>				<b>1994 FORD</b>			
Thunderbird	4.6L V8 F/I	57-2505-1 <sup>1</sup>	4.7 @ 3418	Bronco	5.0L V8 F/I - w/mass air	57-2510-1 <sup>1</sup>	9.7 @ 4313
<b>1995 FORD</b>				Bronco	5.0L V8 F/I - w/o mass air	57-2542 <sup>1</sup>	9.3 @ 3696
Bronco	5.0L V8 F/I - w/mass air	57-2543 <sup>1</sup>	10.2 @ 4201			57-2503 <sup>1</sup>	5.3 @ 3654
		57-2510-1 <sup>1</sup>	9.7 @ 4313	Bronco	5.8L V8 F/I - w/o mass air	57-2542 <sup>1</sup>	9.3 @ 3696
Bronco	5.0L V8 F/I - w/o mass air	57-2542 <sup>1</sup>	9.3 @ 3696			57-2503 <sup>1</sup>	5.3 @ 3654
		57-2503 <sup>1</sup>	5.3 @ 3654	Escort	1.8L L4 F/I	57-2500 <sup>1</sup>	
Bronco	5.8L V8 F/I - w/mass air	57-2543 <sup>1</sup>	10.2 @ 4201	F150	4.9L L6 F/I - w/o mass air	57-2503 <sup>1</sup>	5.3 @ 3654
		57-2510-1 <sup>1</sup>	9.7 @ 4313	F150	5.0L V8 F/I - w/mass air	57-2543 <sup>1</sup>	10.2 @ 4201
Bronco	5.8L V8 F/I - w/o mass air	57-2542 <sup>1</sup>	9.3 @ 3696			57-2510-1 <sup>1</sup>	9.7 @ 4313
		57-2503 <sup>1</sup>	5.3 @ 3654	F150	5.0L V8 F/I - w/o mass air	57-2542 <sup>1</sup>	9.3 @ 3696
Escort	1.8L L4 F/I	57-2500 <sup>1</sup>				57-2503 <sup>1</sup>	5.3 @ 3654
Explorer	4.0L V6 F/I	57-2536 <sup>1</sup>	5.9 @ 4202	F150	5.8L V8 F/I - w/o mass air	57-2542 <sup>1</sup>	9.3 @ 3696
		57-2513-1 <sup>1</sup>	9.7 @ 4313			57-2503 <sup>1</sup>	5.3 @ 3654
F150	4.9L L6 F/I - w/mass air	57-2510-1 <sup>1</sup>	9.7 @ 4313	F150 Lightning	5.8L V8 F/I	57-2517 <sup>1</sup>	
F150	4.9L L6 F/I - w/o mass air	57-2503 <sup>1</sup>	5.3 @ 3654	F250	5.0L V8 F/I - w/o mass air	57-2503 <sup>1</sup>	5.3 @ 3654
F150	5.0L V8 F/I - w/mass air	57-2543 <sup>1</sup>	10.2 @ 4201			57-2510-1 <sup>1</sup>	9.7 @ 4313
		57-2510-1 <sup>1</sup>	9.7 @ 4313	F250	5.8L V8 F/I - w/o mass air	57-2503 <sup>1</sup>	5.3 @ 3654
F150	5.0L V8 F/I - w/o mass air	57-2542 <sup>1</sup>	9.3 @ 3696			57-2531 <sup>1</sup>	9.8 @ 3022
		57-2503 <sup>1</sup>	5.3 @ 3654	F250	7.5L V8 F/I - w/o mass air	57-2503 <sup>1</sup>	5.3 @ 3654
F150	5.8L V8 F/I - w/mass air	57-2543 <sup>1</sup>	10.2 @ 4201	F350	5.8L V8 F/I - w/o mass air	57-2503 <sup>1</sup>	5.3 @ 3654
		57-2510-1 <sup>1</sup>	9.7 @ 4313			57-2531 <sup>1</sup>	9.8 @ 3022
F150	5.8L V8 F/I - w/o mass air	57-2542 <sup>1</sup>	9.3 @ 3696	F350	7.5L V8 F/I - w/o mass air	57-2503 <sup>1</sup>	5.3 @ 3654
		57-2503 <sup>1</sup>	5.3 @ 3654	Mustang	5.0L V8 F/I	57-2511 <sup>1</sup>	13.0 @ 4801
F150 Lightning	5.8L V8 F/I	57-2517 <sup>1</sup>		Mustang SVT Cobra	5.0L V8 F/I	57-2511 <sup>1</sup>	13.0 @ 4801
F250	5.8L V8 F/I - w/mass air	57-2543 <sup>1</sup>	10.2 @ 4201	Probe	2.5L V6 F/I - US	57-2507 <sup>1</sup>	
		57-2510-1 <sup>1</sup>	9.7 @ 4313	Thunderbird	3.8L V6 F/I - exc. S/C	57-2505-1 <sup>1</sup>	4.7 @ 3418
F250	5.8L V8 F/I - w/o mass air	57-2503 <sup>1</sup>	5.3 @ 3654	Thunderbird	4.6L V8 F/I	57-2505-1 <sup>1</sup>	4.7 @ 3418
F250	7.3L V8 DSL	57-2531 <sup>1</sup>	9.8 @ 3022	<b>1993 FORD</b>			
F250	7.5L V8 F/I - w/o mass air	57-2503 <sup>1</sup>	5.3 @ 3654	Bronco	5.0L V8 F/I	57-2542 <sup>1</sup>	9.3 @ 3696
F350	5.8L V8 F/I - w/mass air	57-2543 <sup>1</sup>	10.2 @ 4201			57-2503 <sup>1</sup>	5.3 @ 3654
		57-2510-1 <sup>1</sup>	9.7 @ 4313	Bronco	5.8L V8 F/I	57-2542 <sup>1</sup>	9.3 @ 3696
F350	5.8L V8 F/I - w/o mass air	57-2503 <sup>1</sup>	5.3 @ 3654			57-2503 <sup>1</sup>	5.3 @ 3654
F350	7.3L V8 DSL	57-2531 <sup>1</sup>	9.8 @ 3022	Escort GT	1.8L L4 F/I	57-2500 <sup>1</sup>	
F350	7.5L V8 F/I - w/o mass air	57-2503 <sup>1</sup>	5.3 @ 3654	F150	4.9L L6 F/I	57-2503 <sup>1</sup>	5.3 @ 3654
Mustang	5.0L V8 F/I	57-2511 <sup>1</sup>	13.0 @ 4801	F150	5.0L V8 F/I	57-2542 <sup>1</sup>	9.3 @ 3696
Mustang SVT Cobra	5.0L V8 F/I	57-2511 <sup>1</sup>	13.0 @ 4801			57-2503 <sup>1</sup>	5.3 @ 3654
Probe	2.5L V6 F/I - US	57-2507 <sup>1</sup>		F150	5.8L V8 F/I	57-2542 <sup>1</sup>	9.3 @ 3696
Ranger	2.3L L4 F/I - Manual Trans.	57-2535 <sup>1</sup>	6.1 @ 5200			57-2503 <sup>1</sup>	5.3 @ 3654
Ranger	4.0L V6 F/I	57-2513-1 <sup>1</sup>		F150 Lightning	5.8L V8 F/I	57-2517 <sup>1</sup>	
Thunderbird	3.8L V6 F/I - exc. S/C	57-2505-1 <sup>1</sup>	4.7 @ 3418	F250	5.8L V8 F/I	57-2503 <sup>1</sup>	5.3 @ 3654
Thunderbird	4.6L V8 F/I	57-2505-1 <sup>1</sup>	4.7 @ 3418	F250	7.5L V8 F/I	57-2503 <sup>1</sup>	5.3 @ 3654
<b>1994 FORD</b>				F350	7.5L V8 F/I	57-2503 <sup>1</sup>	5.3 @ 3654
Bronco	5.0L V8 F/I - w/mass air	57-2543 <sup>1</sup>	10.2 @ 4201	Mustang	5.0L V8 F/I	57-2502 <sup>1</sup>	6.8 @ 4706
				Probe	2.5L V6 F/I	57-2507 <sup>1</sup>	
				Thunderbird	3.8L V6 F/I - exc. S/C	57-2505-1 <sup>1</sup>	4.7 @ 3418
				Thunderbird	5.0L V8 F/I	57-2505-1 <sup>1</sup>	4.7 @ 3418
<b>1994 FORD</b>				<b>1992 FORD</b>			
Bronco	5.0L V8 F/I - w/mass air	57-2543 <sup>1</sup>	10.2 @ 4201	Bronco	5.0L V8 F/I	57-2542 <sup>1</sup>	9.3 @ 3696
						57-2503 <sup>1</sup>	5.3 @ 3654
				Bronco	5.8L V8 F/I	57-2542 <sup>1</sup>	9.3 @ 3696

1) Street legal in all US states. 2) Street legal in most states, but not legal for use in California or other states with similar emission control regulations.

\* Estimated horsepower gains are based on specific or similar vehicle dyno tests. Results will vary. See Page 81 for more information. Partial Listing - Complete List of Vehicles and Applications at knfilters.com. See page 82 for information on intake tube materials/colors.

# FORD

# Intake Systems

Vehicle	Engine Type	Intake Kit	Estimated Horsepower*	Vehicle	Engine Type	Intake Kit	Estimated Horsepower*
<b>1992 FORD</b>				<b>1989 FORD</b>			
Bronco	5.8L V8 F/I	57-2503 <sup>1</sup>	5.3 @ 3654	F150	5.8L V8 F/I - w/o mass air	57-2503 <sup>1</sup>	5.3 @ 3654
Escort GT	1.8L L4 F/I	57-2500 <sup>1</sup>		F250	5.0L V8 F/I - w/o mass air	57-2542 <sup>1</sup>	9.3 @ 3696
F150	4.9L L6 F/I	57-2503 <sup>1</sup>	5.3 @ 3654			57-2503 <sup>1</sup>	5.3 @ 3654
F150	5.0L V8 F/I	57-2542 <sup>1</sup>	9.3 @ 3696	F250	5.8L V8 F/I - w/o mass air	57-2503 <sup>1</sup>	5.3 @ 3654
F150	5.8L V8 F/I	57-2503 <sup>1</sup>	5.3 @ 3654	F250	7.5L V8 F/I - w/o mass air	57-2503 <sup>1</sup>	5.3 @ 3654
F150	5.8L V8 F/I	57-2542 <sup>1</sup>	9.3 @ 3696	F350	7.5L V8 F/I - w/o mass air	57-2503 <sup>1</sup>	5.3 @ 3654
F250	5.8L V8 F/I	57-2503 <sup>1</sup>	5.3 @ 3654	Mustang	5.0L V8 F/I	57-2502 <sup>1</sup>	6.8 @ 4706
F250	7.5L V8 F/I	57-2503 <sup>1</sup>	5.3 @ 3654	<b>1988 FORD</b>			
F350	7.5L V8 F/I	57-2503 <sup>1</sup>	5.3 @ 3654	Bronco	5.0L V8 F/I - w/o mass air	57-2542 <sup>1</sup>	9.3 @ 3696
Mustang	5.0L V8 F/I	57-2502 <sup>1</sup>	6.8 @ 4706			57-2503 <sup>1</sup>	5.3 @ 3654
Thunderbird	3.8L V6 F/I - exc. S/C	57-2505-1 <sup>1</sup>	4.7 @ 3418	Bronco	5.8L V8 F/I - w/o mass air	57-2542 <sup>1</sup>	9.3 @ 3696
Thunderbird	5.0L V8 F/I	57-2505-1 <sup>1</sup>	4.7 @ 3418			57-2503 <sup>1</sup>	5.3 @ 3654
<b>1991 FORD</b>				Bronco	5.8L V8 F/I - w/o mass air	57-2503 <sup>1</sup>	5.3 @ 3654
Bronco	5.0L V8 F/I	57-2542 <sup>1</sup>	9.3 @ 3696	F150	4.9L L6 F/I - w/o mass air	57-2503 <sup>1</sup>	5.3 @ 3654
Bronco	5.8L V8 F/I	57-2503 <sup>1</sup>	5.3 @ 3654	F150	5.0L V8 F/I - w/o mass air	57-2542 <sup>1</sup>	9.3 @ 3696
Bronco	5.8L V8 F/I	57-2542 <sup>1</sup>	9.3 @ 3696			57-2503 <sup>1</sup>	5.3 @ 3654
Escort	1.8L L4 F/I	57-2500 <sup>1</sup>		F150	5.8L V8 F/I - w/o mass air	57-2542 <sup>1</sup>	9.3 @ 3696
F150	4.9L L6 F/I	57-2503 <sup>1</sup>	5.3 @ 3654			57-2503 <sup>1</sup>	5.3 @ 3654
F150	5.0L V8 F/I	57-2542 <sup>1</sup>	9.3 @ 3696	F150	5.8L V8 F/I - w/o mass air	57-2542 <sup>1</sup>	9.3 @ 3696
F150	5.8L V8 F/I	57-2503 <sup>1</sup>	5.3 @ 3654			57-2503 <sup>1</sup>	5.3 @ 3654
F150	5.8L V8 F/I	57-2542 <sup>1</sup>	9.3 @ 3696	F250	5.8L V8 F/I - w/o mass air	57-2503 <sup>1</sup>	5.3 @ 3654
F250	5.8L V8 F/I	57-2503 <sup>1</sup>	5.3 @ 3654	F250	7.5L V8 F/I - w/o mass air	57-2503 <sup>1</sup>	5.3 @ 3654
F250	7.5L V8 F/I	57-2503 <sup>1</sup>	5.3 @ 3654	F250	7.5L V8 F/I - w/o mass air	57-2503 <sup>1</sup>	5.3 @ 3654
F350	7.5L V8 F/I	57-2503 <sup>1</sup>	5.3 @ 3654	F350	7.5L V8 F/I - w/o mass air	57-2503 <sup>1</sup>	5.3 @ 3654
Mustang	5.0L V8 F/I	57-2502 <sup>1</sup>	6.8 @ 4706	Mustang	5.0L V8 F/I - w/mass air	57-2502 <sup>1</sup>	6.8 @ 4706
Thunderbird	3.8L V6 F/I - exc. S/C	57-2505-1 <sup>1</sup>	4.7 @ 3418	Mustang	5.0L V8 F/I - w/o mass air	57-2501 <sup>1</sup>	
Thunderbird	5.0L V8 F/I	57-2505-1 <sup>1</sup>	4.7 @ 3418	<b>1987 FORD</b>			
<b>1990 FORD</b>				Mustang	5.0L V8 F/I	57-2501 <sup>1</sup>	
Bronco	5.0L V8 F/I	57-2542 <sup>1</sup>	9.3 @ 3696	<b>1986 FORD</b>			
Bronco	5.8L V8 F/I	57-2503 <sup>1</sup>	5.3 @ 3654	Mustang	5.0L V8 F/I	57-2501 <sup>1</sup>	
Bronco	5.8L V8 F/I	57-2542 <sup>1</sup>	9.3 @ 3696	<b>2011 GMC</b>			
F150	4.9L L6 F/I	57-2503 <sup>1</sup>	5.3 @ 3654	Canyon	2.9L L4 F/I	63-3064-1 <sup>2</sup>	9.0 @ 4862
F150	5.0L V8 F/I	57-2542 <sup>1</sup>	9.3 @ 3696	Sierra 1500	4.8L V8 F/I	77-3070KP <sup>2</sup>	9.7 @ 5342
F150	5.8L V8 F/I	57-2503 <sup>1</sup>	5.3 @ 3654			63-3070 <sup>2</sup>	16.6 @ 5342
F150	5.8L V8 F/I	57-2542 <sup>1</sup>	9.3 @ 3696	Sierra 1500	5.3L V8 F/I	77-3070KP <sup>2</sup>	9.7 @ 5342
F250	5.8L V8 F/I	57-2503 <sup>1</sup>	5.3 @ 3654			63-3070 <sup>2</sup>	16.6 @ 5342
F250	7.5L V8 F/I	57-2503 <sup>1</sup>	5.3 @ 3654	Sierra 1500	6.0L V8 F/I	77-3070KP <sup>2</sup>	9.7 @ 5342
F350	7.5L V8 F/I	57-2503 <sup>1</sup>	5.3 @ 3654			63-3070 <sup>2</sup>	16.6 @ 5342
Mustang	5.0L V8 F/I	57-2502 <sup>1</sup>	6.8 @ 4706	Sierra 1500	6.2L V8 F/I	77-3070KP <sup>2</sup>	9.7 @ 5342
<b>1989 FORD</b>						63-3070 <sup>2</sup>	16.6 @ 5342
Bronco	5.0L V8 F/I - w/o mass air	57-2542 <sup>1</sup>	9.3 @ 3696	Sierra Denali	6.2L V8 F/I	77-3070KP <sup>2</sup>	9.7 @ 5342
Bronco	5.8L V8 F/I - w/o mass air	57-2503 <sup>1</sup>	5.3 @ 3654			63-3070 <sup>2</sup>	16.6 @ 5342
Bronco	5.8L V8 F/I - w/o mass air	57-2542 <sup>1</sup>	9.3 @ 3696	Yukon	4.8L V8 F/I	77-3070KP <sup>2</sup>	9.7 @ 5342
F150	4.9L L6 F/I - w/o mass air	57-2503 <sup>1</sup>	5.3 @ 3654			63-3070 <sup>2</sup>	16.6 @ 5342
F150	5.0L V8 F/I - w/o mass air	57-2542 <sup>1</sup>	9.3 @ 3696	Yukon	5.3L V8 F/I	77-3070KP <sup>2</sup>	9.7 @ 5342
F150	5.8L V8 F/I - w/o mass air	57-2503 <sup>1</sup>	5.3 @ 3654			63-3070 <sup>2</sup>	16.6 @ 5342
F150	5.8L V8 F/I - w/o mass air	57-2542 <sup>1</sup>	9.3 @ 3696	Yukon Denali	6.2L V8 F/I	77-3070KP <sup>2</sup>	9.7 @ 5342
						63-3070 <sup>2</sup>	16.6 @ 5342
				Yukon Denali XL	6.2L V8 F/I	77-3070KP <sup>2</sup>	9.7 @ 5342
						63-3070 <sup>2</sup>	16.6 @ 5342

1) Street legal in all US states. 2) Street legal in most states, but not legal for use in California or other states with similar emission control regulations.

\* Estimated horsepower gains are based on specific or similar vehicle dyno tests. Results will vary. See Page 81 for more information.

Partial Listing - Complete List of Vehicles and Applications at knfilters.com. See page 82 for information on intake tube materials/colors.

# Intake Systems

# GMC

Vehicle	Engine Type	Intake Kit	Estimated Horsepower*	Vehicle	Engine Type	Intake Kit	Estimated Horsepower*
<b>2011 GMC</b>				<b>2009 GMC</b>			
Yukon XL 1500	5.3L V8 F/I	77-3070KP <sup>2</sup> 63-3070 <sup>2</sup>	9.7 @ 5342 16.6 @ 5342	Yukon Denali	6.2L V8 F/I	77-3070KP <sup>2</sup> 63-3070 <sup>2</sup>	9.7 @ 5342 16.6 @ 5342
Yukon XL 1500	6.2L V8 F/I	77-3070KP <sup>2</sup> 63-3070 <sup>2</sup>	9.7 @ 5342 16.6 @ 5342	Yukon Denali XL	6.2L V8 F/I	77-3070KP <sup>2</sup> 63-3070 <sup>2</sup>	9.7 @ 5342 16.6 @ 5342
<b>2010 GMC</b>				Yukon XL 1500	5.3L V8 F/I	77-3070KP <sup>2</sup> 63-3070 <sup>2</sup>	9.7 @ 5342 16.6 @ 5342
Canyon	2.9L L4 F/I	63-3064-1 <sup>2</sup>	9.0 @ 4862	Yukon XL 1500	6.0L V8 F/I	77-3070KP <sup>2</sup> 63-3070 <sup>2</sup>	9.7 @ 5342 16.6 @ 5342
Canyon	3.7L L5 F/I	77-3065KP <sup>2</sup> 63-3065 <sup>2</sup>	7.2 @ 4533 11.0 @ 4754	<b>2008 GMC</b>			
Sierra 1500	4.8L V8 F/I	77-3070KP <sup>2</sup> 63-3070 <sup>2</sup>	9.7 @ 5342 16.6 @ 5342	Canyon	2.9L L4 F/I	63-3064-1 <sup>2</sup>	9.0 @ 4862
Sierra 1500	5.3L V8 F/I	77-3070KP <sup>2</sup> 63-3070 <sup>2</sup>	9.7 @ 5342 16.6 @ 5342	Canyon	3.7L L5 F/I	77-3065KP <sup>2</sup> 63-3065 <sup>2</sup>	7.2 @ 4533 11.0 @ 4754
Sierra 1500	6.0L V8 F/I	77-3070KP <sup>2</sup> 63-3070 <sup>2</sup>	9.7 @ 5342 16.6 @ 5342	Envoy	4.2L L6 F/I	77-3062KP <sup>2</sup> 63-3062 <sup>2</sup>	9.3 @ 4850 9.5 @ 4725
Sierra 1500	6.2L V8 F/I	77-3070KP <sup>2</sup> 63-3070 <sup>2</sup>	9.7 @ 5342 16.6 @ 5342	Sierra 1500	4.8L V8 F/I	77-3058KP <sup>2</sup> 63-3058 <sup>2</sup>	12.5 @ 4917 17.6 @ 4917
Sierra 2500 HD	6.0L V8 F/I	63-3076 <sup>2</sup>		Sierra 1500	5.3L V8 F/I	77-3058KP <sup>2</sup> 63-3058 <sup>2</sup>	12.5 @ 4917 17.6 @ 4917
Sierra 2500 HD	6.6L V8 DSL	57-3066 <sup>1</sup>	19.7 @ 2900	Sierra 1500	6.0L V8 F/I	77-3058KP <sup>2</sup> 63-3058 <sup>2</sup>	12.5 @ 4917 17.6 @ 4917
Sierra 3500 HD	6.6L V8 DSL	57-3066 <sup>1</sup>	19.7 @ 2900	Sierra 1500	6.0L V8 F/I	77-3058KP <sup>2</sup> 63-3058 <sup>2</sup>	12.5 @ 4917 17.6 @ 4917
Sierra Denali	6.2L V8 F/I	77-3070KP <sup>2</sup> 63-3070 <sup>2</sup>	9.7 @ 5342 16.6 @ 5342	Sierra 2500 HD	6.0L V8 F/I	63-3067 <sup>2</sup> 57-3067 <sup>2</sup>	11.4 @ 4500
Terrain	2.4L L4 F/I	77-3071KS <sup>2</sup>	9.3 @ 4600	Sierra 2500 HD	6.6L V8 DSL	57-3066 <sup>1</sup>	19.7 @ 2900
Yukon	4.8L V8 F/I	77-3070KP <sup>2</sup> 63-3070 <sup>2</sup>	9.7 @ 5342 16.6 @ 5342	Sierra 3500 HD	6.0L V8 F/I	63-3067 <sup>2</sup> 57-3067 <sup>2</sup>	11.4 @ 4500
Yukon	5.3L V8 F/I	77-3070KP <sup>2</sup> 63-3070 <sup>2</sup>	9.7 @ 5342 16.6 @ 5342	Sierra 3500 HD	6.6L V8 DSL	57-3066 <sup>1</sup>	19.7 @ 2900
Yukon Denali	6.2L V8 F/I	77-3070KP <sup>2</sup> 63-3070 <sup>2</sup>	9.7 @ 5342 16.6 @ 5342	Sierra Denali	6.2L V8 F/I	77-3058KP <sup>2</sup> 63-3058 <sup>2</sup>	12.5 @ 4917 17.6 @ 4917
Yukon Denali XL	6.2L V8 F/I	77-3070KP <sup>2</sup> 63-3070 <sup>2</sup>	9.7 @ 5342 16.6 @ 5342	Yukon	4.8L V8 F/I	77-3058KP <sup>2</sup> 63-3058 <sup>2</sup>	12.5 @ 4917 17.6 @ 4917
Yukon XL 1500	5.3L V8 F/I	77-3070KP <sup>2</sup> 63-3070 <sup>2</sup>	9.7 @ 5342 16.6 @ 5342	Yukon	5.3L V8 F/I	77-3058KP <sup>2</sup> 63-3058 <sup>2</sup>	12.5 @ 4917 17.6 @ 4917
Yukon XL 1500	6.2L V8 F/I	77-3070KP <sup>2</sup> 63-3070 <sup>2</sup>	9.7 @ 5342 16.6 @ 5342	Yukon Denali	6.2L V8 F/I	77-3058KP <sup>2</sup> 63-3058 <sup>2</sup>	12.5 @ 4917 17.6 @ 4917
<b>2009 GMC</b>				Yukon Denali XL	6.2L V8 F/I	77-3058KP <sup>2</sup> 63-3058 <sup>2</sup>	12.5 @ 4917 17.6 @ 4917
Canyon	2.9L L4 F/I	63-3064-1 <sup>2</sup>	9.0 @ 4862	Yukon XL 1500	5.3L V8 F/I	77-3058KP <sup>2</sup> 63-3058 <sup>2</sup>	12.5 @ 4917 17.6 @ 4917
Canyon	3.7L L5 F/I	77-3065KP <sup>2</sup> 63-3065 <sup>2</sup>	7.2 @ 4533 11.0 @ 4754	Yukon XL 1500	6.0L V8 F/I	77-3058KP <sup>2</sup> 63-3058 <sup>2</sup>	12.5 @ 4917 17.6 @ 4917
Envoy	4.2L L6 F/I	77-3062KP <sup>2</sup> 63-3062 <sup>2</sup>	9.3 @ 4850 9.5 @ 4725	<b>2007 GMC</b>			
Sierra 1500	4.8L V8 F/I	77-3070KP <sup>2</sup> 63-3070 <sup>2</sup>	9.7 @ 5342 16.6 @ 5342	Canyon	2.9L L4 F/I	63-3064-1 <sup>2</sup>	9.0 @ 4862
Sierra 1500	5.3L V8 F/I	77-3070KP <sup>2</sup> 63-3070 <sup>2</sup>	9.7 @ 5342 16.6 @ 5342	Canyon	3.7L L5 F/I	77-3065KP <sup>2</sup> 63-3065 <sup>2</sup>	7.2 @ 4533 11.0 @ 4754
Sierra 1500	6.0L V8 F/I	77-3070KP <sup>2</sup> 63-3070 <sup>2</sup>	9.7 @ 5342 16.6 @ 5342	Envoy	4.2L L6 F/I	77-3062KP <sup>2</sup> 63-3062 <sup>2</sup>	9.3 @ 4850 9.5 @ 4725
Sierra 1500	6.2L V8 F/I	77-3070KP <sup>2</sup> 63-3070 <sup>2</sup>	9.7 @ 5342 16.6 @ 5342	Sierra 1500	4.8L V8 F/I	77-3058KP <sup>1</sup> 63-3058 <sup>2</sup>	12.5 @ 4917 17.6 @ 4917
Sierra 2500 HD	6.0L V8 F/I	63-3076 <sup>2</sup>		Sierra 1500	5.3L V8 F/I	77-3058KP <sup>1</sup> 63-3058 <sup>2</sup>	12.5 @ 4917 17.6 @ 4917
Sierra 2500 HD	6.6L V8 DSL	57-3066 <sup>1</sup>	19.7 @ 2900	Sierra 1500	6.0L V8 F/I	77-3058KP <sup>1</sup> 63-3058 <sup>2</sup>	12.5 @ 4917 17.6 @ 4917
Sierra 3500 HD	6.0L V8 F/I	63-3076 <sup>2</sup>		Sierra 1500 Classic	4.3L V6 F/I	57-3038 <sup>1</sup>	8.2 @ 4544
Sierra 3500 HD	6.6L V8 DSL	57-3066 <sup>1</sup>	19.7 @ 2900	Sierra 1500 Classic	4.8L V8 F/I	77-3050KP <sup>1</sup> 57-3050 <sup>1</sup>	8.4 @ 5336 11.9 @ 5367
Sierra Denali	6.2L V8 F/I	77-3070KP <sup>2</sup> 63-3070 <sup>2</sup>	9.7 @ 5342 16.6 @ 5342				
Yukon	4.8L V8 F/I	77-3070KP <sup>2</sup> 63-3070 <sup>2</sup>	9.7 @ 5342 16.6 @ 5342				
Yukon	5.3L V8 F/I	77-3070KP <sup>2</sup> 63-3070 <sup>2</sup>	9.7 @ 5342 16.6 @ 5342				

1) Street legal in all US states. 2) Street legal in most states, but not legal for use in California or other states with similar emission control regulations.

\* Estimated horsepower gains are based on specific or similar vehicle dyno tests. Results will vary. See Page 81 for more information. Partial Listing - Complete List of Vehicles and Applications at [knfilters.com](http://knfilters.com). See page 82 for information on intake tube materials/colors.

Vehicle	Engine Type	Intake Kit	Estimated Horsepower*	Vehicle	Engine Type	Intake Kit	Estimated Horsepower*
<b>2007 GMC</b>				<b>2006 GMC</b>			
<b>Sierra 1500 Classic</b>	5.3L V8 F/I	77-3050KP <sup>1</sup> 57-3050 <sup>1</sup>	8.4 @ 5336 11.9 @ 5367	<b>Sierra 1500</b>	4.8L V8 F/I	77-3050KP <sup>1</sup> 57-3050 <sup>1</sup>	8.4 @ 5336 11.9 @ 5367
<b>Sierra 1500 HD Classic</b>	6.0L V8 F/I	77-3023KP <sup>1</sup> 57-3023-1 <sup>1</sup>	14.1 @ 4897 14.3 @ 5018	<b>Sierra 1500</b>	5.3L V8 F/I	77-3050KP <sup>1</sup> 57-3050 <sup>1</sup>	8.4 @ 5336 11.9 @ 5367
<b>Sierra 2500 HD</b>	6.0L V8 F/I	63-3067 <sup>2</sup> 57-3067 <sup>2</sup>	11.4 @ 4500	<b>Sierra 1500</b>	6.0L V8 F/I	77-3050KP <sup>1</sup> 57-3050 <sup>1</sup>	8.4 @ 5336 11.9 @ 5367
<b>Sierra 2500 HD</b>	6.6L V8 DSL	57-3066 <sup>1</sup>	19.7 @ 2900	<b>Sierra 1500 HD</b>	6.0L V8 F/I	77-3023KP <sup>1</sup> 57-3023-1 <sup>1</sup>	14.1 @ 4897 14.3 @ 5018
<b>Sierra 2500 HD Classic</b>	6.0L V8 F/I	77-3031KP <sup>2</sup> 63-3031 <sup>2</sup>	17.5 @ 5024 20.3 @ 4894	<b>Sierra 2500 HD</b>	6.0L V8 F/I	77-3031KP <sup>1</sup> 57-3031-1 <sup>1</sup>	17.5 @ 5024 20.3 @ 4894
<b>Sierra 2500 HD Classic</b>	6.6L V8 DSL	57-3057 <sup>1</sup> 57-3000 <sup>1</sup>	22.1 @ 2860 15.4 @ 2911	<b>Sierra 2500 HD</b>	6.6L V8 DSL	57-3057 <sup>1</sup> 57-3000 <sup>1</sup>	22.1 @ 2860 15.4 @ 2911
<b>Sierra 2500 HD Classic</b>	8.1L V8 F/I	63-3030 <sup>2</sup>	17.3 @ 4559	<b>Sierra 2500 HD</b>	8.1L V8 F/I	57-3030-1 <sup>1</sup>	17.3 @ 4559
<b>Sierra 3500 Classic</b>	6.6L V8 DSL	57-3057 <sup>1</sup> 57-3000 <sup>1</sup>	22.1 @ 2860 15.4 @ 2911	<b>Sierra 3500</b>	6.0L V8 F/I	77-3031KP <sup>1</sup> 57-3031-1 <sup>1</sup>	17.5 @ 5024 20.3 @ 4894
<b>Sierra 3500 HD</b>	6.0L V8 F/I	63-3067 <sup>2</sup> 57-3067 <sup>2</sup>	11.4 @ 4500	<b>Sierra 3500</b>	6.6L V8 DSL	57-3057 <sup>1</sup> 57-3000 <sup>1</sup>	22.1 @ 2860 15.4 @ 2911
<b>Sierra 3500 HD</b>	6.6L V8 DSL	57-3066 <sup>1</sup>	19.7 @ 2900	<b>Sierra 3500</b>	8.1L V8 F/I	57-3030-1 <sup>1</sup>	17.3 @ 4559
<b>Sierra Denali</b>	6.2L V8 F/I	77-3058KP <sup>1</sup> 63-3058 <sup>2</sup>	12.5 @ 4917 17.6 @ 4917	<b>Sierra Denali</b>	6.0L V8 F/I	77-3050KP <sup>1</sup> 57-3050 <sup>1</sup>	8.4 @ 5336 11.9 @ 5367
<b>Sierra Denali Classic</b>	6.0L V8 F/I	57-3058 <sup>1</sup> 77-3050KP <sup>1</sup>	17.6 @ 4917 8.4 @ 5336	<b>Sierra Denali</b>	6.6L V8 DSL	77-3064KTK <sup>1</sup> 77-3064KTK <sup>1</sup>	10.0 @ 2944 10.0 @ 2944
<b>Yukon</b>	4.8L V8 F/I	77-3058KP <sup>1</sup> 63-3058 <sup>2</sup>	12.5 @ 4917 17.6 @ 4917	<b>Yukon</b>	4.8L V8 F/I	77-3050KP <sup>1</sup> 57-3050 <sup>1</sup>	8.4 @ 5336 11.9 @ 5367
<b>Yukon</b>	5.3L V8 F/I	57-3058 <sup>1</sup> 77-3058KP <sup>1</sup>	17.6 @ 4917 12.5 @ 4917	<b>Yukon</b>	5.3L V8 F/I	77-3050KP <sup>1</sup> 57-3050 <sup>1</sup>	8.4 @ 5336 11.9 @ 5367
<b>Yukon Denali</b>	6.2L V8 F/I	63-3058 <sup>2</sup> 57-3058 <sup>1</sup>	17.6 @ 4917 17.6 @ 4917	<b>Yukon Denali</b>	6.0L V8 F/I	77-3050KP <sup>1</sup> 57-3050 <sup>1</sup>	8.4 @ 5336 11.9 @ 5367
<b>Yukon Denali XL</b>	6.2L V8 F/I	77-3058KP <sup>1</sup> 63-3058 <sup>2</sup>	12.5 @ 4917 17.6 @ 4917	<b>Yukon Denali</b>	6.0L V8 F/I	77-3050KP <sup>1</sup> 57-3050 <sup>1</sup>	8.4 @ 5336 11.9 @ 5367
<b>Yukon XL 1500</b>	5.3L V8 F/I	57-3058 <sup>1</sup> 77-3058KP <sup>1</sup>	17.6 @ 4917 12.5 @ 4917	<b>Yukon Denali XL</b>	6.0L V8 F/I	77-3050KP <sup>1</sup> 57-3050 <sup>1</sup>	8.4 @ 5336 11.9 @ 5367
<b>Yukon XL 1500</b>	6.0L V8 F/I	63-3058 <sup>2</sup> 57-3058 <sup>1</sup>	17.6 @ 4917 17.6 @ 4917	<b>Yukon XL 1500</b>	5.3L V8 F/I	77-3050KP <sup>1</sup> 57-3050 <sup>1</sup>	8.4 @ 5336 11.9 @ 5367
<b>Yukon XL 1500</b>	6.2L V8 F/I	77-3058KP <sup>1</sup> 63-3058 <sup>2</sup>	12.5 @ 4917 17.6 @ 4917	<b>Yukon XL 2500</b>	6.0L V8 F/I	77-3050KP <sup>1</sup> 57-3023-1 <sup>1</sup>	8.4 @ 5336 14.3 @ 5018
<b>Yukon XL 2500</b>	6.0L V8 F/I	57-3058 <sup>1</sup> 57-3063 <sup>1</sup>	17.6 @ 4917 11.6 @ 5075	<b>2005 GMC</b>			
<b>2006 GMC</b>				<b>Canyon</b>	2.8L L4 F/I	57-3051 <sup>1</sup>	11.5 @ 5863
<b>Canyon</b>	2.8L L4 F/I	57-3051 <sup>1</sup>	11.5 @ 5863	<b>Canyon</b>	3.5L L5 F/I	77-3043KP <sup>1</sup> 57-3043 <sup>1</sup>	9.2 @ 6057 18.6 @ 6001
<b>Canyon</b>	3.5L L5 F/I	77-3043KP <sup>1</sup> 57-3043 <sup>1</sup>	9.2 @ 6057 18.6 @ 6001	<b>Envoy</b>	4.2L L6 F/I	77-3036KP <sup>1</sup> 57-3036 <sup>1</sup>	10.9 @ 5474 9.3 @ 5623
<b>Envoy</b>	4.2L L6 F/I	77-3062KP <sup>1</sup> 57-3062 <sup>1</sup>	9.3 @ 4850 9.5 @ 4725	<b>Envoy</b>	5.3L V8 F/I	57-3048 <sup>1</sup>	19.3 @ 5133
<b>Sierra 1500</b>	4.3L V6 F/I	57-3038 <sup>1</sup>	8.2 @ 4544	<b>Sierra 1500</b>	4.3L V6 F/I	57-3038 <sup>1</sup>	8.2 @ 4544
				<b>Sierra 1500</b>	4.8L V8 F/I	77-3050KP <sup>1</sup> 57-3050 <sup>1</sup>	8.4 @ 5336 11.9 @ 5367
				<b>Sierra 1500</b>	5.3L V8 F/I	77-3050KP <sup>1</sup> 57-3050 <sup>1</sup>	8.4 @ 5336 11.9 @ 5367
				<b>Sierra 1500 HD</b>	6.0L V8 F/I	77-3023KP <sup>1</sup> 57-3023-1 <sup>1</sup>	14.1 @ 4897 14.3 @ 5018
				<b>Sierra 2500 HD</b>	6.0L V8 F/I	77-3031KP <sup>1</sup> 57-3031-1 <sup>1</sup>	17.5 @ 5024 20.3 @ 4894
				<b>Sierra 2500 HD</b>	6.6L V8 DSL - w/Panel Filter	77-3047KP <sup>1</sup> 57-3047 <sup>1</sup>	20.2 @ 3158 20.1 @ 3157
				<b>Sierra 2500 HD</b>	6.6L V8 DSL - w/Round Filter	57-3057 <sup>1</sup> 57-3000 <sup>1</sup>	22.1 @ 2860 15.4 @ 2911
				<b>Sierra 2500 HD</b>	8.1L V8 F/I	57-3030-1 <sup>1</sup>	17.3 @ 4559
				<b>Sierra 3500</b>	6.0L V8 F/I	57-3031-1 <sup>1</sup>	20.3 @ 4894
				<b>Sierra 3500</b>	6.6L V8 DSL - w/Panel Filter	77-3047KP <sup>1</sup>	20.2 @ 3158

1) Street legal in all US states. 2) Street legal in most states, but not legal for use in California or other states with similar emission control regulations.

\* Estimated horsepower gains are based on specific or similar vehicle dyno tests. Results will vary. See Page 81 for more information.

# Intake Systems

# GMC

Vehicle	Engine Type	Intake Kit	Estimated Horsepower*	Vehicle	Engine Type	Intake Kit	Estimated Horsepower*
<b>2005 GMC</b>				<b>2004 GMC</b>			
Sierra 3500	6.6L V8 DSL - w/Panel Filter	57-3047 <sup>1</sup>	20.1 @ 3157	Yukon Denali	6.0L V8 F/I	57-3023-1 <sup>1</sup>	14.3 @ 5018
Sierra 3500	6.6L V8 DSL - w/Round Filter	57-3057 <sup>1</sup>	22.1 @ 2860	Yukon Denali XL	6.0L V8 F/I	77-3023KP <sup>1</sup>	14.1 @ 4897
		57-3000 <sup>1</sup>	15.4 @ 2911	Yukon XL 1500	5.3L V8 F/I	77-3023KP <sup>1</sup>	14.1 @ 4897
Sierra Denali	6.0L V8 F/I	77-3050KP <sup>1</sup>	8.4 @ 5336	Yukon XL 2500	6.0L V8 F/I	77-3023KP <sup>1</sup>	14.1 @ 4897
Topkick CK4500	6.6L V8 DSL	77-3063KTK <sup>1</sup>	14.9 @ 2612	Yukon XL 2500	8.1L V8 F/I	57-3023-1 <sup>1</sup>	14.3 @ 5018
Topkick CK5500	6.6L V8 DSL	77-3063KTK <sup>1</sup>	14.9 @ 2612			57-3032 <sup>1</sup>	13.0 @ 4231
Yukon	4.8L V8 F/I	77-3050KP <sup>1</sup>	8.4 @ 5336	<b>2003 GMC</b>			
		57-3050 <sup>1</sup>	11.9 @ 5367	Envoy	4.2L L6 F/I	77-3036KP <sup>1</sup>	10.9 @ 5474
Yukon	5.3L V8 F/I	77-3050KP <sup>1</sup>	8.4 @ 5336			57-3036 <sup>1</sup>	9.3 @ 5623
		57-3050 <sup>1</sup>	11.9 @ 5367	Envoy	5.3L V8 F/I	57-3048 <sup>1</sup>	19.3 @ 5133
Yukon Denali	6.0L V8 F/I	77-3050KP <sup>1</sup>	8.4 @ 5336	Sierra 1500	4.3L V6 F/I	57-3038 <sup>1</sup>	8.2 @ 4544
		57-3050 <sup>1</sup>	11.9 @ 5367	Sierra 1500	4.8L V8 F/I	77-3021KP <sup>1</sup>	8.2 @ 5067
Yukon Denali XL	6.0L V8 F/I	77-3050KP <sup>1</sup>	8.4 @ 5336			57-3021-1 <sup>1</sup>	9.1 @ 5352
		57-3050 <sup>1</sup>	11.9 @ 5367	Sierra 1500	5.3L V8 F/I	77-3021KP <sup>1</sup>	8.2 @ 5067
Yukon XL 1500	5.3L V8 F/I	77-3050KP <sup>1</sup>	8.4 @ 5336			57-3021-1 <sup>1</sup>	9.1 @ 5352
		57-3050 <sup>1</sup>	11.9 @ 5367	Sierra 1500 HD	6.0L V8 F/I	77-3023KP <sup>1</sup>	14.1 @ 4897
Yukon XL 2500	6.0L V8 F/I	77-3023KP <sup>1</sup>	14.1 @ 4897			57-3023-1 <sup>1</sup>	14.3 @ 5018
		57-3023-1 <sup>1</sup>	14.3 @ 5018	Sierra 2500	6.0L V8 F/I	77-3023KP <sup>1</sup>	14.1 @ 4897
Yukon XL 2500	8.1L V8 F/I	57-3032 <sup>1</sup>	13.0 @ 4231			57-3023-1 <sup>1</sup>	14.3 @ 5018
<b>2004 GMC</b>				Sierra 2500 HD	6.0L V8 F/I	77-3031KP <sup>1</sup>	17.5 @ 5024
Canyon	2.8L L4 F/I	57-3051 <sup>1</sup>	11.5 @ 5863			57-3031-1 <sup>1</sup>	20.3 @ 4894
Canyon	3.5L L5 F/I	77-3043KP <sup>1</sup>	9.2 @ 6057	Sierra 2500 HD	6.6L V8 DSL	77-3034KP <sup>1</sup>	12.6 @ 3246
		57-3043 <sup>1</sup>	18.6 @ 6001			57-3034 <sup>1</sup>	16.3 @ 2750
Envoy	4.2L L6 F/I	77-3036KP <sup>1</sup>	10.9 @ 5474	Sierra 2500 HD	8.1L V8 F/I	57-3030-1 <sup>1</sup>	17.3 @ 4559
		57-3036 <sup>1</sup>	9.3 @ 5623	Sierra 3500	6.6L V8 DSL	77-3034KP <sup>1</sup>	12.6 @ 3246
Envoy	5.3L V8 F/I	57-3048 <sup>1</sup>	19.3 @ 5133			57-3034 <sup>1</sup>	16.3 @ 2750
Sierra 1500	4.3L V6 F/I	57-3038 <sup>1</sup>	8.2 @ 4544	Sierra 3500	8.1L V8 F/I	57-3030-1 <sup>1</sup>	17.3 @ 4559
Sierra 1500	4.8L V8 F/I	77-3021KP <sup>1</sup>	8.2 @ 5067	Sierra Denali	6.0L V8 F/I	77-3023KP <sup>1</sup>	14.1 @ 4897
		57-3021-1 <sup>1</sup>	9.1 @ 5352			57-3023-1 <sup>1</sup>	14.3 @ 5018
Sierra 1500	5.3L V8 F/I	77-3021KP <sup>1</sup>	8.2 @ 5067	Sonoma	2.2L L4 F/I	57-3025-1 <sup>1</sup>	6.7 @ 4700
		57-3021-1 <sup>1</sup>	9.1 @ 5352	Sonoma	4.3L V6 F/I	57-3017-2 <sup>1</sup>	7.4 @ 4671
Sierra 2500	6.0L V8 F/I	77-3023KP <sup>1</sup>	14.1 @ 4897	Yukon	4.8L V8 F/I	77-3023KP <sup>1</sup>	14.1 @ 4897
		57-3023-1 <sup>1</sup>	14.3 @ 5018			57-3023-1 <sup>1</sup>	14.3 @ 5018
Sierra 2500 HD	6.0L V8 F/I	77-3031KP <sup>1</sup>	17.5 @ 5024	Yukon	5.3L V8 F/I	77-3023KP <sup>1</sup>	14.1 @ 4897
		57-3031-1 <sup>1</sup>	20.3 @ 4894			57-3023-1 <sup>1</sup>	14.3 @ 5018
Sierra 2500 HD	6.6L V8 DSL - LB7	77-3034KP <sup>1</sup>	12.6 @ 3246	Yukon Denali	6.0L V8 F/I	77-3023KP <sup>1</sup>	14.1 @ 4897
		57-3034 <sup>1</sup>	16.3 @ 2750			57-3023-1 <sup>1</sup>	14.3 @ 5018
Sierra 2500 HD	6.6L V8 DSL - LLY	77-3047KP <sup>1</sup>	20.2 @ 3158	Yukon Denali XL	6.0L V8 F/I	77-3023KP <sup>1</sup>	14.1 @ 4897
		57-3047 <sup>1</sup>	20.1 @ 3157			57-3023-1 <sup>1</sup>	14.3 @ 5018
Sierra 2500 HD	8.1L V8 F/I	57-3030-1 <sup>1</sup>	17.3 @ 4559	Yukon XL 1500	5.3L V8 F/I	77-3023KP <sup>1</sup>	14.1 @ 4897
Sierra 3500	6.0L V8 F/I	77-3031KP <sup>1</sup>	17.5 @ 5024			57-3023-1 <sup>1</sup>	14.3 @ 5018
		57-3031-1 <sup>1</sup>	20.3 @ 4894	Yukon XL 2500	6.0L V8 F/I	77-3023KP <sup>1</sup>	14.1 @ 4897
Sierra 3500	6.6L V8 DSL - LB7	77-3034KP <sup>1</sup>	12.6 @ 3246			57-3023-1 <sup>1</sup>	14.3 @ 5018
		57-3034 <sup>1</sup>	16.3 @ 2750	Yukon XL 2500	8.1L V8 F/I	57-3032 <sup>1</sup>	13.0 @ 4231
Sierra 3500	6.6L V8 DSL - LLY	77-3047KP <sup>1</sup>	20.2 @ 3158	<b>2002 GMC</b>			
		57-3047 <sup>1</sup>	20.1 @ 3157	Envoy	4.2L L6 F/I	77-3036KP <sup>1</sup>	10.9 @ 5474
Sierra 3500	8.1L V8 F/I	57-3030-1 <sup>1</sup>	17.3 @ 4559			57-3036 <sup>1</sup>	9.3 @ 5623
Sierra Denali	6.0L V8 F/I	77-3023KP <sup>1</sup>	14.1 @ 4897	Sierra 1500	4.3L V6 F/I	57-3038 <sup>1</sup>	8.2 @ 4544
		57-3023-1 <sup>1</sup>	14.3 @ 5018	Sierra 1500	4.8L V8 F/I	77-3021KP <sup>1</sup>	8.2 @ 5067
Sonoma	4.3L V6 F/I	57-3017-2 <sup>1</sup>	7.4 @ 4671			57-3021-1 <sup>1</sup>	9.1 @ 5352
Topkick CK4500	6.6L V8 DSL	77-3063KTK <sup>1</sup>	14.9 @ 2612	Sierra 1500	5.3L V8 F/I	77-3021KP <sup>1</sup>	8.2 @ 5067
Yukon	4.8L V8 F/I	77-3023KP <sup>1</sup>	14.1 @ 4897			57-3021-1 <sup>1</sup>	9.1 @ 5352
		57-3023-1 <sup>1</sup>	14.3 @ 5018	Sierra 1500 HD	6.0L V8 F/I	77-3023KP <sup>1</sup>	14.1 @ 4897
Yukon	5.3L V8 F/I	77-3023KP <sup>1</sup>	14.1 @ 4897			57-3023-1 <sup>1</sup>	14.3 @ 5018
		57-3023-1 <sup>1</sup>	14.3 @ 5018	Sierra 2500	6.0L V8 F/I	77-3023KP <sup>1</sup>	14.1 @ 4897
Yukon Denali	6.0L V8 F/I	77-3023KP <sup>1</sup>	14.1 @ 4897			57-3023-1 <sup>1</sup>	14.3 @ 5018

1) Street legal in all US states. 2) Street legal in most states, but not legal for use in California or other states with similar emission control regulations.

\* Estimated horsepower gains are based on specific or similar vehicle dyno tests. Results will vary. See Page 81 for more information.

Partial Listing - Complete List of Vehicles and Applications at knfilters.com. See page 82 for information on intake tube materials/colors.



# GMC

# Intake Systems

Vehicle	Engine Type	Intake Kit	Estimated Horsepower*	Vehicle	Engine Type	Intake Kit	Estimated Horsepower*
<b>2002 GMC</b>				<b>2001 GMC</b>			
Sierra 2500 HD	6.0L V8 F/I	77-3031KP <sup>1</sup> 57-3031-1 <sup>1</sup>	17.5 @ 5024 20.3 @ 4894	Yukon XL 2500	6.0L V8 F/I	77-3023KP <sup>1</sup> 57-3023-1 <sup>1</sup>	14.1 @ 4897 14.3 @ 5018
Sierra 2500 HD	6.6L V8 DSL	77-3034KP <sup>1</sup> 57-3034 <sup>1</sup>	12.6 @ 3246 16.3 @ 2750	Yukon XL 2500	8.1L V8 F/I	57-3032 <sup>1</sup>	13.0 @ 4231
Sierra 2500 HD	8.1L V8 F/I	57-3030-1 <sup>1</sup>	17.3 @ 4559	<b>2000 GMC</b>			
Sierra 3500	6.6L V8 DSL	77-3034KP <sup>1</sup> 57-3034 <sup>1</sup>	12.6 @ 3246 16.3 @ 2750	C2500	5.7L V8 F/I	57-3013-2 <sup>1</sup>	9.5 @ 4918
Sierra 3500	8.1L V8 F/I	57-3030-1 <sup>1</sup>	17.3 @ 4559	C3500	7.4L V8 F/I	57-3016-1 <sup>1</sup>	21.5 @ 4078
Sierra Denali	6.0L V8 F/I	77-3023KP <sup>1</sup> 57-3023-1 <sup>1</sup>	14.1 @ 4897 14.3 @ 5018	Jimmy	4.3L V6 F/I	57-3017-2 <sup>1</sup>	7.4 @ 4671
Sonoma	2.2L L4 F/I	57-3025-1 <sup>1</sup>	6.7 @ 4700	K2500	5.7L V8 F/I	57-3013-2 <sup>1</sup>	9.5 @ 4918
Sonoma	4.3L V6 F/I	57-3017-2 <sup>1</sup>	7.4 @ 4671	K3500	7.4L V8 F/I	57-3016-1 <sup>1</sup>	21.5 @ 4078
Yukon	4.8L V8 F/I	77-3023KP <sup>1</sup> 57-3023-1 <sup>1</sup>	14.1 @ 4897 14.3 @ 5018	Sierra 1500	4.3L V6 F/I	57-3038 <sup>1</sup>	8.2 @ 4544
Yukon	5.3L V8 F/I	77-3023KP <sup>1</sup> 57-3023-1 <sup>1</sup>	14.1 @ 4897 14.3 @ 5018	Sierra 1500	4.8L V8 F/I	77-3021KP <sup>1</sup> 57-3021-1 <sup>1</sup>	8.2 @ 5067 9.1 @ 5352
Yukon Denali	6.0L V8 F/I	77-3023KP <sup>1</sup> 57-3023-1 <sup>1</sup>	14.1 @ 4897 14.3 @ 5018	Sierra 1500	5.3L V8 F/I	77-3021KP <sup>1</sup> 57-3021-1 <sup>1</sup>	8.2 @ 5067 9.1 @ 5352
Yukon Denali XL	6.0L V8 F/I	77-3023KP <sup>1</sup> 57-3023-1 <sup>1</sup>	14.1 @ 4897 14.3 @ 5018	Sierra 2500	5.3L V8 F/I	77-3023KP <sup>1</sup> 57-3023-1 <sup>1</sup>	14.1 @ 4897 14.3 @ 5018
Yukon XL 1500	5.3L V8 F/I	77-3023KP <sup>1</sup> 57-3023-1 <sup>1</sup>	14.1 @ 4897 14.3 @ 5018	Sierra 2500	6.0L V8 F/I	77-3023KP <sup>1</sup> 57-3023-1 <sup>1</sup>	14.1 @ 4897 14.3 @ 5018
Yukon XL 2500	6.0L V8 F/I	77-3023KP <sup>1</sup> 57-3023-1 <sup>1</sup>	14.1 @ 4897 14.3 @ 5018	Sonoma	2.2L L4 F/I	57-3025-1 <sup>1</sup>	6.7 @ 4700
Yukon XL 2500	8.1L V8 F/I	57-3032 <sup>1</sup>	13.0 @ 4231	Sonoma	4.3L V6 F/I	57-3017-2 <sup>1</sup>	7.4 @ 4671
<b>2001 GMC</b>				Yukon	4.8L V8 F/I	77-3023KP <sup>1</sup> 57-3023-1 <sup>1</sup>	14.1 @ 4897 14.3 @ 5018
Jimmy	4.3L V6 F/I	57-3017-2 <sup>1</sup>	7.4 @ 4671	Yukon	5.3L V8 F/I	77-3023KP <sup>1</sup> 57-3023-1 <sup>1</sup>	14.1 @ 4897 14.3 @ 5018
Sierra 1500	4.3L V6 F/I	57-3038 <sup>1</sup>	8.2 @ 4544	Yukon Denali	5.7L V8 F/I	57-3013-2 <sup>1</sup>	9.5 @ 4918
Sierra 1500	4.8L V8 F/I	77-3021KP <sup>1</sup> 57-3021-1 <sup>1</sup>	8.2 @ 5067 9.1 @ 5352	Yukon XL 1500	5.3L V8 F/I	77-3023KP <sup>1</sup> 57-3023-1 <sup>1</sup>	14.1 @ 4897 14.3 @ 5018
Sierra 1500	5.3L V8 F/I	77-3021KP <sup>1</sup> 57-3021-1 <sup>1</sup>	8.2 @ 5067 9.1 @ 5352	Yukon XL 2500	6.0L V8 F/I	77-3023KP <sup>1</sup> 57-3023-1 <sup>1</sup>	14.1 @ 4897 14.3 @ 5018
Sierra 1500 HD	6.0L V8 F/I	77-3023KP <sup>1</sup> 57-3023-1 <sup>1</sup>	14.1 @ 4897 14.3 @ 5018	<b>1999 GMC</b>			
Sierra 2500	6.0L V8 F/I	77-3023KP <sup>1</sup> 57-3023-1 <sup>1</sup>	14.1 @ 4897 14.3 @ 5018	C1500	5.0L V8 F/I	57-3013-2 <sup>1</sup>	9.5 @ 4918
Sierra 2500 HD	6.0L V8 F/I	77-3031KP <sup>1</sup> 57-3031-1 <sup>1</sup>	17.5 @ 5024 20.3 @ 4894	C1500	5.7L V8 F/I	57-3013-2 <sup>1</sup>	9.5 @ 4918
Sierra 2500 HD	6.6L V8 DSL	77-3034KP <sup>1</sup> 57-3034 <sup>1</sup>	12.6 @ 3246 16.3 @ 2750	C1500 Suburban	5.7L V8 F/I	57-3013-2 <sup>1</sup>	9.5 @ 4918
Sierra 2500 HD	8.1L V8 F/I	57-3030-1 <sup>1</sup>	17.3 @ 4559	C2500 Suburban	5.7L V8 F/I	57-3013-2 <sup>1</sup>	9.5 @ 4918
Sierra 3500	6.6L V8 DSL	77-3034KP <sup>1</sup> 57-3034 <sup>1</sup>	12.6 @ 3246 16.3 @ 2750	C2500 Suburban	7.4L V8 F/I	57-3016-1 <sup>1</sup>	21.5 @ 4078
Sierra 3500	8.1L V8 F/I	57-3030-1 <sup>1</sup>	17.3 @ 4559	Jimmy	4.3L V6 F/I	57-3017-2 <sup>1</sup>	7.4 @ 4671
Sierra C3	6.0L V8 F/I	77-3023KP <sup>1</sup> 57-3023-1 <sup>1</sup>	14.1 @ 4897 14.3 @ 5018	K1500	5.0L V8 F/I	57-3013-2 <sup>1</sup>	9.5 @ 4918
Sonoma	2.2L L4 F/I	57-3025-1 <sup>1</sup>	6.7 @ 4700	K1500	5.7L V8 F/I	57-3013-2 <sup>1</sup>	9.5 @ 4918
Sonoma	4.3L V6 F/I	57-3017-2 <sup>1</sup>	7.4 @ 4671	K1500 Suburban	5.7L V8 F/I	57-3013-2 <sup>1</sup>	9.5 @ 4918
Yukon	4.8L V8 F/I	77-3023KP <sup>1</sup> 57-3023-1 <sup>1</sup>	14.1 @ 4897 14.3 @ 5018	K2500	5.7L V8 F/I	57-3013-2 <sup>1</sup>	9.5 @ 4918
Yukon	5.3L V8 F/I	77-3023KP <sup>1</sup> 57-3023-1 <sup>1</sup>	14.1 @ 4897 14.3 @ 5018	K2500 Suburban	5.7L V8 F/I	57-3013-2 <sup>1</sup>	9.5 @ 4918
Yukon Denali	6.0L V8 F/I	77-3023KP <sup>1</sup> 57-3023-1 <sup>1</sup>	14.1 @ 4897 14.3 @ 5018	K2500 Suburban	7.4L V8 F/I	57-3016-1 <sup>1</sup>	21.5 @ 4078
Yukon Denali XL	6.0L V8 F/I	77-3023KP <sup>1</sup> 57-3023-1 <sup>1</sup>	14.1 @ 4897 14.3 @ 5018	K3500	7.4L V8 F/I	57-3016-1 <sup>1</sup>	21.5 @ 4078
Yukon XL 1500	5.3L V8 F/I	77-3023KP <sup>1</sup> 57-3023-1 <sup>1</sup>	14.1 @ 4897 14.3 @ 5018	Sierra 1500	4.3L V6 F/I	57-3038 <sup>1</sup>	8.2 @ 4544
<b>2001 GMC</b>				Sierra 1500	4.8L V8 F/I	77-3021KP <sup>1</sup> 57-3021-1 <sup>1</sup>	8.2 @ 5067 9.1 @ 5352
Jimmy	4.3L V6 F/I	57-3017-2 <sup>1</sup>	7.4 @ 4671	Sierra 1500	5.3L V8 F/I	77-3021KP <sup>1</sup> 57-3021-1 <sup>1</sup>	8.2 @ 5067 9.1 @ 5352
Sierra 1500	4.3L V6 F/I	57-3038 <sup>1</sup>	8.2 @ 4544	Sierra 2500	5.3L V8 F/I	57-3023-1 <sup>1</sup>	14.3 @ 5018
Sierra 1500	4.8L V8 F/I	77-3021KP <sup>1</sup> 57-3021-1 <sup>1</sup>	8.2 @ 5067 9.1 @ 5352	Sierra 2500	6.0L V8 F/I	77-3023KP <sup>1</sup> 57-3023-1 <sup>1</sup>	14.1 @ 4897 14.3 @ 5018
Sierra 1500	5.3L V8 F/I	77-3021KP <sup>1</sup> 57-3021-1 <sup>1</sup>	8.2 @ 5067 9.1 @ 5352	Sonoma	2.2L L4 F/I	57-3025-1 <sup>1</sup>	6.7 @ 4700
Sierra 1500 HD	6.0L V8 F/I	77-3023KP <sup>1</sup> 57-3023-1 <sup>1</sup>	14.1 @ 4897 14.3 @ 5018	Sonoma	4.3L V6 F/I	57-3017-2 <sup>1</sup>	7.4 @ 4671
Sierra 2500	6.0L V8 F/I	77-3023KP <sup>1</sup> 57-3023-1 <sup>1</sup>	14.1 @ 4897 14.3 @ 5018	Yukon	5.7L V8 F/I	57-3013-2 <sup>1</sup>	9.5 @ 4918
Sierra 2500 HD	6.0L V8 F/I	77-3031KP <sup>1</sup> 57-3031-1 <sup>1</sup>	17.5 @ 5024 20.3 @ 4894	Yukon Denali	5.7L V8 F/I	57-3013-2 <sup>1</sup>	9.5 @ 4918
Sierra 2500 HD	6.6L V8 DSL	77-3034KP <sup>1</sup> 57-3034 <sup>1</sup>	12.6 @ 3246 16.3 @ 2750	<b>1998 GMC</b>			
Sierra 2500 HD	8.1L V8 F/I	57-3030-1 <sup>1</sup>	17.3 @ 4559	C1500	4.3L V6 F/I	57-3039 <sup>1</sup>	6.0 @ 4476
Sierra 3500	6.6L V8 DSL	77-3034KP <sup>1</sup> 57-3034 <sup>1</sup>	12.6 @ 3246 16.3 @ 2750	C1500	5.0L V8 F/I	57-3013-2 <sup>1</sup>	9.5 @ 4918
Sierra 3500	8.1L V8 F/I	57-3030-1 <sup>1</sup>	17.3 @ 4559				
Sierra C3	6.0L V8 F/I	77-3023KP <sup>1</sup> 57-3023-1 <sup>1</sup>	14.1 @ 4897 14.3 @ 5018				
Sonoma	2.2L L4 F/I	57-3025-1 <sup>1</sup>	6.7 @ 4700				
Sonoma	4.3L V6 F/I	57-3017-2 <sup>1</sup>	7.4 @ 4671				
Yukon	4.8L V8 F/I	77-3023KP <sup>1</sup> 57-3023-1 <sup>1</sup>	14.1 @ 4897 14.3 @ 5018				
Yukon	5.3L V8 F/I	77-3023KP <sup>1</sup> 57-3023-1 <sup>1</sup>	14.1 @ 4897 14.3 @ 5018				
Yukon Denali	6.0L V8 F/I	77-3023KP <sup>1</sup> 57-3023-1 <sup>1</sup>	14.1 @ 4897 14.3 @ 5018				
Yukon Denali XL	6.0L V8 F/I	77-3023KP <sup>1</sup> 57-3023-1 <sup>1</sup>	14.1 @ 4897 14.3 @ 5018				
Yukon XL 1500	5.3L V8 F/I	77-3023KP <sup>1</sup> 57-3023-1 <sup>1</sup>	14.1 @ 4897 14.3 @ 5018				

1) Street legal in all US states. 2) Street legal in most states, but not legal for use in California or other states with similar emission control regulations.

\* Estimated horsepower gains are based on specific or similar vehicle dyno tests. Results will vary. See Page 81 for more information.

Partial Listing - Complete List of Vehicles and Applications at [knfilters.com](http://knfilters.com). See page 82 for information on intake tube materials/colors.

# Intake Systems

# GMC

Vehicle	Engine Type	Intake Kit	Estimated Horsepower*	Vehicle	Engine Type	Intake Kit	Estimated Horsepower*
<b>1998 GMC</b>				<b>1995 GMC</b>			
<b>C1500</b>	5.7L V8 F/I	57-3013-2 <sup>1</sup>	9.5 @ 4918	<b>C1500</b>	5.0L V8 F/I	63-1007-1 <sup>2</sup>	6.7 @ 4107
<b>C1500 Suburban</b>	5.7L V8 F/I	57-3013-2 <sup>1</sup>	9.5 @ 4918			57-3026 <sup>1</sup>	10.3 @ 4237
<b>C2500</b>	5.7L V8 F/I	57-3013-2 <sup>1</sup>	9.5 @ 4918	<b>C1500</b>	5.7L V8 F/I	63-1007-1 <sup>2</sup>	6.7 @ 4107
<b>C2500 Suburban</b>	5.7L V8 F/I	57-3013-2 <sup>1</sup>	9.5 @ 4918			57-3026 <sup>1</sup>	10.3 @ 4237
<b>C3500</b>	7.4L V8 F/I	57-3016-1 <sup>1</sup>	21.5 @ 4078	<b>C1500 Suburban</b>	5.7L V8 F/I	63-1007-1 <sup>2</sup>	6.7 @ 4107
<b>Jimmy</b>	4.3L V6 F/I	57-3017-2 <sup>1</sup>	7.4 @ 4671			57-3026 <sup>1</sup>	10.3 @ 4237
<b>K1500</b>	5.0L V8 F/I	57-3013-2 <sup>1</sup>	9.5 @ 4918	<b>C2500</b>	5.7L V8 F/I	57-3026 <sup>1</sup>	10.3 @ 4237
<b>K1500</b>	5.7L V8 F/I	57-3013-2 <sup>1</sup>	9.5 @ 4918	<b>C2500 Suburban</b>	5.7L V8 F/I	63-1007-1 <sup>2</sup>	6.7 @ 4107
<b>K1500 Suburban</b>	5.7L V8 F/I	57-3013-2 <sup>1</sup>	9.5 @ 4918			57-3026 <sup>1</sup>	10.3 @ 4237
<b>K2500</b>	5.7L V8 F/I	57-3013-2 <sup>1</sup>	9.5 @ 4918	<b>C2500 Suburban</b>	7.4L V8 F/I	57-3027 <sup>1</sup>	7.4 @ 3571
<b>K2500</b>	7.4L V8 F/I	57-3016-1 <sup>1</sup>	21.5 @ 4078	<b>Jimmy</b>	4.3L V6 CPI	57-3009 <sup>1</sup>	7.1 @ 4571
<b>K2500 Suburban</b>	5.7L V8 F/I	57-3013-2 <sup>1</sup>	9.5 @ 4918	<b>K1500</b>	5.0L V8 F/I	63-1007-1 <sup>2</sup>	6.7 @ 4107
<b>K2500 Suburban</b>	7.4L V8 F/I	57-3016-1 <sup>1</sup>	21.5 @ 4078			57-3026 <sup>1</sup>	10.3 @ 4237
<b>K3500</b>	7.4L V8 F/I	57-3016-1 <sup>1</sup>	21.5 @ 4078	<b>K1500</b>	5.7L V8 F/I	63-1007-1 <sup>2</sup>	6.7 @ 4107
<b>Sonoma</b>	2.2L L4 F/I	57-3025-1 <sup>1</sup>	6.7 @ 4700			57-3026 <sup>1</sup>	10.3 @ 4237
<b>Sonoma</b>	4.3L V6 F/I	57-3017-2 <sup>1</sup>	7.4 @ 4671	<b>K1500 Suburban</b>	5.7L V8 F/I	63-1007-1 <sup>2</sup>	6.7 @ 4107
<b>Yukon</b>	5.7L V8 F/I	57-3013-2 <sup>1</sup>	9.5 @ 4918			57-3026 <sup>1</sup>	10.3 @ 4237
<b>1997 GMC</b>				<b>K2500</b>	5.7L V8 F/I	63-1007-1 <sup>2</sup>	6.7 @ 4107
<b>C1500</b>	4.3L V6 F/I	57-3039 <sup>1</sup>	6.0 @ 4476			57-3026 <sup>1</sup>	10.3 @ 4237
<b>C1500</b>	5.0L V8 F/I	57-3013-2 <sup>1</sup>	9.5 @ 4918	<b>K2500</b>	7.4L V8 F/I	63-1007-1 <sup>2</sup>	6.7 @ 4107
<b>C1500</b>	5.7L V8 F/I	57-3013-2 <sup>1</sup>	9.5 @ 4918			57-3027 <sup>1</sup>	7.4 @ 3571
<b>C1500 Suburban</b>	5.7L V8 F/I	57-3013-2 <sup>1</sup>	9.5 @ 4918	<b>K2500</b>	7.4L V8 F/I - w/o heat stove	57-3014 <sup>1</sup>	17.6 @ 3811
<b>C2500</b>	5.7L V8 F/I	57-3013-2 <sup>1</sup>	9.5 @ 4918	<b>K2500 Suburban</b>	5.7L V8 F/I	63-1007-1 <sup>2</sup>	6.7 @ 4107
<b>C2500 Suburban</b>	5.7L V8 F/I	57-3013-2 <sup>1</sup>	9.5 @ 4918			57-3026 <sup>1</sup>	10.3 @ 4237
<b>C2500 Suburban</b>	7.4L V8 F/I	57-3016-1 <sup>1</sup>	21.5 @ 4078	<b>K2500 Suburban</b>	7.4L V8 F/I	63-1007-1 <sup>2</sup>	6.7 @ 4107
<b>Jimmy</b>	4.3L V6 F/I	57-3017-2 <sup>1</sup>	7.4 @ 4671			57-3027 <sup>1</sup>	7.4 @ 3571
<b>K1500</b>	4.3L V6 F/I	57-3039 <sup>1</sup>	6.0 @ 4476	<b>K2500 Suburban</b>	7.4L V8 F/I - w/o heat stove	57-3014 <sup>1</sup>	17.6 @ 3811
<b>K1500</b>	5.0L V8 F/I	57-3013-2 <sup>1</sup>	9.5 @ 4918			63-1007-1 <sup>2</sup>	6.7 @ 4107
<b>K1500</b>	5.7L V8 F/I	57-3013-2 <sup>1</sup>	9.5 @ 4918	<b>K3500</b>	7.4L V8 F/I	57-3027 <sup>1</sup>	7.4 @ 3571
<b>K1500 Suburban</b>	5.7L V8 F/I	57-3013-2 <sup>1</sup>	9.5 @ 4918			57-3014 <sup>1</sup>	17.6 @ 3811
<b>K2500</b>	5.7L V8 F/I	57-3013-2 <sup>1</sup>	9.5 @ 4918	<b>K3500</b>	7.4L V8 F/I - w/o heat stove	57-3014 <sup>1</sup>	17.6 @ 3811
<b>K2500</b>	7.4L V8 F/I	57-3016-1 <sup>1</sup>	21.5 @ 4078	<b>Sonoma</b>	2.2L L4 F/I	57-3024 <sup>1</sup>	7.5 @ 5224
<b>K2500 Suburban</b>	5.7L V8 F/I	57-3013-2 <sup>1</sup>	9.5 @ 4918	<b>Sonoma</b>	4.3L V6 CPI	57-3009 <sup>1</sup>	7.1 @ 4571
<b>K2500 Suburban</b>	7.4L V8 F/I	57-3016-1 <sup>1</sup>	21.5 @ 4078	<b>Sonoma</b>	4.3L V6 TBI	57-3029 <sup>1</sup>	4.7 @ 3971
<b>Sonoma</b>	2.2L L4 F/I	57-3024 <sup>1</sup>	7.5 @ 5224	<b>Yukon</b>	5.7L V8 F/I	63-1007-1 <sup>2</sup>	6.7 @ 4107
<b>Sonoma</b>	4.3L V6 F/I	57-3017-2 <sup>1</sup>	7.4 @ 4671			57-3026 <sup>1</sup>	10.3 @ 4237
<b>Yukon</b>	5.7L V8 F/I	57-3013-2 <sup>1</sup>	9.5 @ 4918	<b>1994 GMC</b>			
<b>1996 GMC</b>				<b>C1500</b>	5.0L V8 F/I	63-1007-1 <sup>2</sup>	6.7 @ 4107
<b>C1500</b>	4.3L V6 F/I	57-3039 <sup>1</sup>	6.0 @ 4476			57-3026 <sup>1</sup>	10.3 @ 4237
<b>C1500</b>	5.0L V8 F/I	57-3013-2 <sup>1</sup>	9.5 @ 4918	<b>C1500</b>	5.7L V8 F/I	63-1007-1 <sup>2</sup>	6.7 @ 4107
<b>C1500</b>	5.7L V8 F/I	57-3013-2 <sup>1</sup>	9.5 @ 4918			57-3026 <sup>1</sup>	10.3 @ 4237
<b>C1500 Suburban</b>	5.7L V8 F/I	57-3013-2 <sup>1</sup>	9.5 @ 4918	<b>C1500 Suburban</b>	5.7L V8 F/I	63-1007-1 <sup>2</sup>	6.7 @ 4107
<b>C2500</b>	5.7L V8 F/I	57-3013-2 <sup>1</sup>	9.5 @ 4918			57-3026 <sup>1</sup>	10.3 @ 4237
<b>C2500 Suburban</b>	5.7L V8 F/I	57-3013-2 <sup>1</sup>	9.5 @ 4918	<b>Jimmy</b>	4.3L V6 TBI	57-3029 <sup>1</sup>	4.7 @ 3971
<b>C2500 Suburban</b>	7.4L V8 F/I	57-3016-1 <sup>1</sup>	21.5 @ 4078	<b>K1500</b>	5.0L V8 F/I	57-3026 <sup>1</sup>	10.3 @ 4237
<b>C3500</b>	7.4L V8 F/I	57-3016-1 <sup>1</sup>	21.5 @ 4078	<b>K1500</b>	5.7L V8 F/I	63-1007-1 <sup>2</sup>	6.7 @ 4107
<b>Jimmy</b>	4.3L V6 F/I	57-3017-2 <sup>1</sup>	7.4 @ 4671			57-3026 <sup>1</sup>	10.3 @ 4237
<b>K1500</b>	4.3L V6 F/I	57-3039 <sup>1</sup>	6.0 @ 4476	<b>K1500 Suburban</b>	5.7L V8 F/I	63-1007-1 <sup>2</sup>	6.7 @ 4107
<b>K1500</b>	5.0L V8 F/I	57-3013-2 <sup>1</sup>	9.5 @ 4918			57-3026 <sup>1</sup>	10.3 @ 4237
<b>K1500</b>	5.7L V8 F/I	57-3013-2 <sup>1</sup>	9.5 @ 4918	<b>K2500</b>	5.7L V8 F/I	63-1007-1 <sup>2</sup>	6.7 @ 4107
<b>K1500 Suburban</b>	5.7L V8 F/I	57-3013-2 <sup>1</sup>	9.5 @ 4918			57-3026 <sup>1</sup>	10.3 @ 4237
<b>K2500</b>	5.7L V8 F/I	57-3013-2 <sup>1</sup>	9.5 @ 4918	<b>K2500 Suburban</b>	5.7L V8 F/I	63-1007-1 <sup>2</sup>	6.7 @ 4107
<b>K2500 Suburban</b>	5.7L V8 F/I	57-3013-2 <sup>1</sup>	9.5 @ 4918			57-3026 <sup>1</sup>	10.3 @ 4237
<b>K2500 Suburban</b>	7.4L V8 F/I	57-3016-1 <sup>1</sup>	21.5 @ 4078	<b>Sonoma</b>	2.2L L4 F/I	57-3024 <sup>1</sup>	7.5 @ 5224
<b>K3500</b>	7.4L V8 F/I	57-3016-1 <sup>1</sup>	21.5 @ 4078	<b>Sonoma</b>	4.3L V6 CPI	57-3009 <sup>1</sup>	7.1 @ 4571
<b>Sonoma</b>	2.2L L4 F/I	57-3024 <sup>1</sup>	7.5 @ 5224	<b>Sonoma</b>	4.3L V6 TBI	57-3029 <sup>1</sup>	4.7 @ 3971
<b>Sonoma</b>	4.3L V6 F/I	57-3017-2 <sup>1</sup>	7.4 @ 4671	<b>Yukon</b>	5.7L V8 F/I	63-1007-1 <sup>2</sup>	6.7 @ 4107
<b>Yukon</b>	5.7L V8 F/I	57-3013-2 <sup>1</sup>	9.5 @ 4918			57-3026 <sup>1</sup>	10.3 @ 4237

1) Street legal in all US states. 2) Street legal in most states, but not legal for use in California or other states with similar emission control regulations.

\* Estimated horsepower gains are based on specific or similar vehicle dyno tests. Results will vary. See Page 81 for more information. Partial Listing - Complete List of Vehicles and Applications at knfilters.com. See page 82 for information on intake tube materials/colors.

# GMC

# Intake Systems

Vehicle	Engine Type	Intake Kit	Estimated Horsepower*	Vehicle	Engine Type	Intake Kit	Estimated Horsepower*
<b>1993 GMC</b>				<b>1988 GMC</b>			
C1500	5.0L V8 F/I	63-1007-1 <sup>2</sup> 57-3026 <sup>1</sup>	6.7 @ 4107 10.3 @ 4237	K1500	5.7L V8 F/I	63-1007-1 <sup>2</sup> 57-3026 <sup>1</sup>	6.7 @ 4107 10.3 @ 4237
C1500	5.7L V8 F/I	63-1007-1 <sup>2</sup> 57-3026 <sup>1</sup>	6.7 @ 4107 10.3 @ 4237	<b>2011 HARLEY DAVIDSON</b>			
C1500 Suburban	5.7L V8 F/I	63-1007-1 <sup>2</sup> 57-3026 <sup>1</sup>	6.7 @ 4107 10.3 @ 4237	FLSTC Heritage Softail Classic	1586	63-1125P <sup>2</sup> 63-1125 <sup>2</sup>	10.2 @ 4953 10.2 @ 4953
Jimmy	4.3L V6 TBI	57-3028 <sup>1</sup>	5.6 @ 3963	FLSTF Fat Boy	1586	63-1125P <sup>2</sup> 63-1125 <sup>2</sup>	10.2 @ 4953 10.2 @ 4953
K1500	5.7L V8 F/I	63-1007-1 <sup>2</sup> 57-3026 <sup>1</sup>	6.7 @ 4107 10.3 @ 4237	FLSTFB Softail Fat Boy Lo	1584	63-1125P <sup>2</sup> 63-1125 <sup>2</sup>	10.2 @ 4953 10.2 @ 4953
K1500 Suburban	5.7L V8 F/I	63-1007-1 <sup>2</sup> 57-3026 <sup>1</sup>	6.7 @ 4107 10.3 @ 4237	FLSTN Softail Deluxe	1584	63-1125P <sup>2</sup> 63-1125 <sup>2</sup>	10.2 @ 4953 10.2 @ 4953
K2500 Suburban	5.7L V8 F/I	63-1007-1 <sup>2</sup> 57-3026 <sup>1</sup>	6.7 @ 4107 10.3 @ 4237	FXCWC Rocker C	1584	63-1125P <sup>2</sup> 63-1125 <sup>2</sup>	10.2 @ 4953 10.2 @ 4953
Sonoma	4.3L V6 TBI	57-3028 <sup>1</sup>	5.6 @ 3963	FXDB Dyna Street Bob	1584	63-1125P <sup>2</sup> 63-1125 <sup>2</sup>	10.2 @ 4953 10.2 @ 4953
Yukon	5.7L V8 F/I	63-1007-1 <sup>2</sup> 57-3026 <sup>1</sup>	6.7 @ 4107 10.3 @ 4237	FXDC Dyna Super Glide Custom	1584	63-1125P <sup>2</sup> 63-1125 <sup>2</sup>	10.2 @ 4953 10.2 @ 4953
<b>1992 GMC</b>				FXDF Fat Bob	1584	63-1125P <sup>2</sup> 63-1125 <sup>2</sup>	10.2 @ 4953 10.2 @ 4953
C1500	5.0L V8 F/I	63-1007-1 <sup>2</sup> 57-3026 <sup>1</sup>	6.7 @ 4107 10.3 @ 4237	FXDWG Dyna Wide Glide	1584	63-1125P <sup>2</sup> 63-1125 <sup>2</sup>	10.2 @ 4953 10.2 @ 4953
C1500	5.7L V8 F/I	63-1007-1 <sup>2</sup> 57-3026 <sup>1</sup>	6.7 @ 4107 10.3 @ 4237	XL883L Sportster Low	883	63-1126 <sup>2</sup>	8.6 @ 5533
C1500 Suburban	5.7L V8 F/I	63-1007-1 <sup>2</sup> 57-3026 <sup>1</sup>	6.7 @ 4107 10.3 @ 4237	XL1200L Sportster Low	1200	63-1126 <sup>2</sup>	8.6 @ 5533
Jimmy	4.3L V6 TBI	57-3028 <sup>1</sup>	5.6 @ 3963	XL1200N Sportster Nightster	1200	63-1126 <sup>2</sup>	8.6 @ 5533
K1500	5.7L V8 F/I	63-1007-1 <sup>2</sup> 57-3026 <sup>1</sup>	6.7 @ 4107 10.3 @ 4237	XL1200X Forty-Eight	1200	63-1126 <sup>2</sup>	8.6 @ 5533
K1500 Suburban	5.7L V8 F/I	63-1007-1 <sup>2</sup> 57-3026 <sup>1</sup>	6.7 @ 4107 10.3 @ 4237	<b>2010 HARLEY DAVIDSON</b>			
K2500	5.7L V8 F/I	57-3026 <sup>1</sup>	10.3 @ 4237	FLHP Road King Police	1690	63-1122P <sup>2</sup> 63-1122 <sup>2</sup>	12.9 @ 4612 12.9 @ 4612
K2500 Suburban	5.7L V8 F/I	63-1007-1 <sup>2</sup> 57-3026 <sup>1</sup>	6.7 @ 4107 10.3 @ 4237	FLHR Road King	1584	63-1122P <sup>2</sup> 63-1122 <sup>2</sup>	12.9 @ 4612 12.9 @ 4612
Sonoma	4.3L V6 TBI	57-3028 <sup>1</sup>	5.6 @ 3963	FLHRC Road King Classic	1584	63-1122P <sup>2</sup> 63-1122 <sup>2</sup>	12.9 @ 4612 12.9 @ 4612
Yukon	5.7L V8 F/I	57-3026 <sup>1</sup>	10.3 @ 4237	FLHT Electra Glide Standard	1584	63-1122P <sup>2</sup> 63-1122 <sup>2</sup>	12.9 @ 4612 12.9 @ 4612
<b>1991 GMC</b>				FLHTC Electra Glide Classic	1584	63-1122 <sup>2</sup>	12.9 @ 4612
C1500	5.0L V8 F/I	57-3026 <sup>1</sup>	10.3 @ 4237	FLHTCU Ultra Classic Electra Glide	1584	63-1122P <sup>2</sup>	12.9 @ 4612
C1500	5.7L V8 F/I	63-1007-1 <sup>2</sup> 57-3026 <sup>1</sup>	6.7 @ 4107 10.3 @ 4237	<b>1990 GMC</b>			
K1500	5.7L V8 F/I	63-1007-1 <sup>2</sup> 57-3026 <sup>1</sup>	6.7 @ 4107 10.3 @ 4237	C1500	5.0L V8 F/I	63-1007-1 <sup>2</sup> 57-3026 <sup>1</sup>	6.7 @ 4107 10.3 @ 4237
S15 Jimmy	4.3L V6 TBI	57-3028 <sup>1</sup>	5.6 @ 3963	C1500	5.7L V8 F/I	63-1007-1 <sup>2</sup> 57-3026 <sup>1</sup>	6.7 @ 4107 10.3 @ 4237
Sonoma	4.3L V6 TBI	57-3028 <sup>1</sup>	5.6 @ 3963	K1500	5.7L V8 F/I	63-1007-1 <sup>2</sup> 57-3026 <sup>1</sup>	6.7 @ 4107 10.3 @ 4237
<b>1990 GMC</b>				<b>1989 GMC</b>			
C1500	5.0L V8 F/I	63-1007-1 <sup>2</sup> 57-3026 <sup>1</sup>	6.7 @ 4107 10.3 @ 4237	C1500	5.0L V8 F/I	57-3026 <sup>1</sup>	10.3 @ 4237
C1500	5.7L V8 F/I	63-1007-1 <sup>2</sup> 57-3026 <sup>1</sup>	6.7 @ 4107 10.3 @ 4237	C1500	5.7L V8 F/I	63-1007-1 <sup>2</sup> 57-3026 <sup>1</sup>	6.7 @ 4107 10.3 @ 4237
K1500	5.7L V8 F/I	63-1007-1 <sup>2</sup> 57-3026 <sup>1</sup>	6.7 @ 4107 10.3 @ 4237	K1500	5.7L V8 F/I	63-1007-1 <sup>2</sup> 57-3026 <sup>1</sup>	6.7 @ 4107 10.3 @ 4237
<b>1989 GMC</b>				<b>1988 GMC</b>			
C1500	5.0L V8 F/I	57-3026 <sup>1</sup>	10.3 @ 4237	C1500	5.7L V8 F/I	63-1007-1 <sup>2</sup> 57-3026 <sup>1</sup>	6.7 @ 4107 10.3 @ 4237
C1500	5.7L V8 F/I	63-1007-1 <sup>2</sup> 57-3026 <sup>1</sup>	6.7 @ 4107 10.3 @ 4237				
K1500	5.7L V8 F/I	63-1007-1 <sup>2</sup> 57-3026 <sup>1</sup>	6.7 @ 4107 10.3 @ 4237				
<b>1988 GMC</b>							
C1500	5.7L V8 F/I	63-1007-1 <sup>2</sup> 57-3026 <sup>1</sup>	6.7 @ 4107 10.3 @ 4237				

1) Street legal in all US states. 2) Street legal in most states, but not legal for use in California or other states with similar emission control regulations.

\* Estimated horsepower gains are based on specific or similar vehicle dyno tests. Results will vary. See Page 81 for more information.

Partial Listing - Complete List of Vehicles and Applications at knfilters.com. See page 82 for information on intake tube materials/colors.

# Intake Systems

# HARLEY DAVIDSON

Vehicle	Engine Type	Intake Kit	Estimated Horsepower*	Vehicle	Engine Type	Intake Kit	Estimated Horsepower*
<b>2010 HARLEY DAVIDSON</b>				<b>2010 HARLEY DAVIDSON</b>			
FLHTCU Ultra Classic Electra Glide	1584	63-1122 <sup>2</sup>	12.9 @ 4612	FXSTC Softail Custom	1586	63-1125 <sup>2</sup>	10.2 @ 4953
FLHTCUSE5 CVO Ultra Classic Electra Glide	1800	63-1122P <sup>2</sup>	12.9 @ 4612	XL883C Sportster Custom	883	63-1126 <sup>2</sup>	8.6 @ 5533
		63-1122 <sup>2</sup>	12.9 @ 4612	XL883L Sportster Low	883	63-1126 <sup>2</sup>	8.6 @ 5533
FLHTP Electra Glide Police	1690	63-1122P <sup>2</sup>	12.9 @ 4612	XL1200C Sportster Custom	1200	63-1126 <sup>2</sup>	8.6 @ 5533
		63-1122 <sup>2</sup>	12.9 @ 4612	XL1200L Sportster Low	1200	63-1126 <sup>2</sup>	8.6 @ 5533
FLHTRX Road Glide Custom	1584	63-1122P <sup>2</sup>	12.9 @ 4612	XL1200N Sportster Nightster	1200	63-1126 <sup>2</sup>	8.6 @ 5533
		63-1122 <sup>2</sup>	12.9 @ 4612	XL1200X Forty-Eight	1200	63-1126 <sup>2</sup>	8.6 @ 5533
FLHX Street Glide	1584	63-1122P <sup>2</sup>	12.9 @ 4612	<b>2009 HARLEY DAVIDSON</b>			
		63-1122 <sup>2</sup>	12.9 @ 4612	FLHP Road King Police	1690	63-1122P <sup>2</sup>	12.9 @ 4612
FLSTC Heritage Softail Classic	1586	63-1125P <sup>2</sup>	10.2 @ 4953	FLHR Road King	1584	63-1122P <sup>2</sup>	12.9 @ 4612
		63-1125 <sup>2</sup>	10.2 @ 4953	FLHRC Road King Classic	1584	63-1122P <sup>2</sup>	12.9 @ 4612
FLSTF Fat Boy	1586	63-1125P <sup>2</sup>	10.2 @ 4953			63-1122 <sup>2</sup>	12.9 @ 4612
		63-1125 <sup>2</sup>	10.2 @ 4953	FLHT Electra Glide Standard	1584	63-1122P <sup>2</sup>	12.9 @ 4612
FLSTFB Softail Fat Boy Lo	1584	63-1125P <sup>2</sup>	10.2 @ 4953			63-1122 <sup>2</sup>	12.9 @ 4612
		63-1125 <sup>2</sup>	10.2 @ 4953	FLHTC Electra Glide Classic	1584	63-1122P <sup>2</sup>	12.9 @ 4612
FLSTN Softail Deluxe	1586	63-1125P <sup>2</sup>	10.2 @ 4953			63-1122 <sup>2</sup>	12.9 @ 4612
		63-1125 <sup>2</sup>	10.2 @ 4953	FLHTP Electra Glide Police	1690	63-1122P <sup>2</sup>	12.9 @ 4612
FLSTSB Softail Cross Bones	1586	63-1125P <sup>2</sup>	10.2 @ 4953			63-1122 <sup>2</sup>	12.9 @ 4612
		63-1125 <sup>2</sup>	10.2 @ 4953	FLHX Street Glide	1584	63-1122P <sup>2</sup>	12.9 @ 4612
FLTR Road Glide	1584	63-1122P <sup>2</sup>	12.9 @ 4612			63-1122 <sup>2</sup>	12.9 @ 4612
		63-1122 <sup>2</sup>	12.9 @ 4612	FLSTC Heritage Softail Classic	1586	63-1125P <sup>2</sup>	10.2 @ 4953
FXCW Rocker	1584	63-1125P <sup>2</sup>	10.2 @ 4953			63-1125 <sup>2</sup>	10.2 @ 4953
		63-1125 <sup>2</sup>	10.2 @ 4953	FLSTF Fat Boy	1586	63-1125P <sup>2</sup>	10.2 @ 4953
FXCWC Rocker C	1584	63-1125P <sup>2</sup>	10.2 @ 4953			63-1125 <sup>2</sup>	10.2 @ 4953
		63-1125 <sup>2</sup>	10.2 @ 4953	FLSTN Softail Deluxe	1586	63-1125P <sup>2</sup>	10.2 @ 4953
FXD Dyna Super Glide	1584	63-1125P <sup>2</sup>	10.2 @ 4953			63-1125 <sup>2</sup>	10.2 @ 4953
		63-1125 <sup>2</sup>	10.2 @ 4953	FLSTSB Softail Cross Bones	1586	63-1125P <sup>2</sup>	10.2 @ 4953
FXDB Dyna Street Bob	1584	63-1125P <sup>2</sup>	10.2 @ 4953			63-1125 <sup>2</sup>	10.2 @ 4953
		63-1125 <sup>2</sup>	10.2 @ 4953	FLTR Road Glide	1584	63-1122P <sup>2</sup>	12.9 @ 4612
FXDC Dyna Super Glide Custom	1584	63-1125P <sup>2</sup>	10.2 @ 4953			63-1122 <sup>2</sup>	12.9 @ 4612
		63-1125 <sup>2</sup>	10.2 @ 4953	FXCW Rocker	1584	63-1125P <sup>2</sup>	10.2 @ 4953
FXDF Fat Bob	1584	63-1125P <sup>2</sup>	10.2 @ 4953			63-1125 <sup>2</sup>	10.2 @ 4953
		63-1125 <sup>2</sup>	10.2 @ 4953	FXCWC Rocker C	1584	63-1125P <sup>2</sup>	10.2 @ 4953
FXDWG Dyna Wide Glide	1584	63-1125P <sup>2</sup>	10.2 @ 4953			63-1125 <sup>2</sup>	10.2 @ 4953
		63-1125 <sup>2</sup>	10.2 @ 4953	FXD Dyna Super Glide	1584	63-1125P <sup>2</sup>	10.2 @ 4953
FXSTB Night Train	1586	63-1125P <sup>2</sup>	10.2 @ 4953			63-1125 <sup>2</sup>	10.2 @ 4953
		63-1125 <sup>2</sup>	10.2 @ 4953	FXDB Dyna Street Bob	1584	63-1125P <sup>2</sup>	10.2 @ 4953
FXSTC Softail Custom	1586	63-1125P <sup>2</sup>	10.2 @ 4953				

1) Street legal in all US states. 2) Street legal in most states, but not legal for use in California or other states with similar emission control regulations.

\* Estimated horsepower gains are based on specific or similar vehicle dyno tests. Results will vary. See Page 81 for more information. Partial Listing - Complete List of Vehicles and Applications at knfilters.com. See page 82 for information on intake tube materials/colors.

# HARLEY DAVIDSON

# Intake Systems

Vehicle	Engine Type	Intake Kit	Estimated Horsepower*	Vehicle	Engine Type	Intake Kit	Estimated Horsepower*
<b>2009 HARLEY DAVIDSON</b>				<b>2008 HARLEY DAVIDSON</b>			
FXDB Dyna Street Bob	1584	63-1125 <sup>2</sup>	10.2 @ 4953	FLSTSB Softail Cross Bones	1586	63-1125P <sup>2</sup>	10.2 @ 4953
FXDC Dyna Super Glide Custom	1584	63-1125P <sup>2</sup>	10.2 @ 4953			63-1125 <sup>2</sup>	10.2 @ 4953
		63-1125 <sup>2</sup>	10.2 @ 4953	FLTR Road Glide	1584	63-1122P <sup>2</sup>	12.9 @ 4612
FXDF Fat Bob	1584	63-1125P <sup>2</sup>	10.2 @ 4953			63-1122 <sup>2</sup>	12.9 @ 4612
		63-1125 <sup>2</sup>	10.2 @ 4953	FXCW Rocker	1584	63-1125P <sup>2</sup>	10.2 @ 4953
FXDL Dyna Low Rider	1584	63-1125P <sup>2</sup>	10.2 @ 4953			63-1125 <sup>2</sup>	10.2 @ 4953
		63-1125 <sup>2</sup>	10.2 @ 4953	FXCWC Rocker C	1584	63-1125P <sup>2</sup>	10.2 @ 4953
FXDWG Dyna Wide Glide	1584	63-1125P <sup>2</sup>	10.2 @ 4953			63-1125 <sup>2</sup>	10.2 @ 4953
		63-1125 <sup>2</sup>	10.2 @ 4953	FXD Dyna Super Glide	1584	63-1125P <sup>2</sup>	10.2 @ 4953
FXSTB Night Train	1586	63-1125P <sup>2</sup>	10.2 @ 4953			63-1125 <sup>2</sup>	10.2 @ 4953
		63-1125 <sup>2</sup>	10.2 @ 4953	FXDB Dyna Street Bob	1584	63-1125P <sup>2</sup>	10.2 @ 4953
FXSTC Softail Custom	1586	63-1125P <sup>2</sup>	10.2 @ 4953			63-1125 <sup>2</sup>	10.2 @ 4953
		63-1125 <sup>2</sup>	10.2 @ 4953	FXDC Dyna Super Glide Custom	1584	63-1125P <sup>2</sup>	10.2 @ 4953
XL883C Sportster Custom	871	63-1126 <sup>2</sup>	8.6 @ 5533			63-1125 <sup>2</sup>	10.2 @ 4953
XL883L Sportster Low	883	63-1126 <sup>2</sup>	8.6 @ 5533	FXDF Fat Bob	1584	63-1125P <sup>2</sup>	10.2 @ 4953
XL1200C Sportster Custom	1200	63-1126 <sup>2</sup>	8.6 @ 5533			63-1125 <sup>2</sup>	10.2 @ 4953
XL1200L Sportster Low	1200	63-1126 <sup>2</sup>	8.6 @ 5533	FXDL Dyna Low Rider	1584	63-1125P <sup>2</sup>	10.2 @ 4953
XL1200N Sportster Nightster	1200	63-1126 <sup>2</sup>	8.6 @ 5533			63-1125 <sup>2</sup>	10.2 @ 4953
XL883N Iron 883	883	63-1126 <sup>2</sup>	8.6 @ 5533	FXDWG Dyna Wide Glide	1584	63-1125P <sup>2</sup>	10.2 @ 4953
<b>2008 HARLEY DAVIDSON</b>						63-1125 <sup>2</sup>	10.2 @ 4953
FLHR Road King	1584	63-1122P <sup>2</sup>	12.9 @ 4612	FXSTB Night Train	1586	63-1125P <sup>2</sup>	10.2 @ 4953
		63-1122 <sup>2</sup>	12.9 @ 4612			63-1125 <sup>2</sup>	10.2 @ 4953
FLHRC Road King Classic	1584	63-1122P <sup>2</sup>	12.9 @ 4612	FXSTC Softail Custom	1586	63-1125P <sup>2</sup>	10.2 @ 4953
		63-1122 <sup>2</sup>	12.9 @ 4612			63-1125 <sup>2</sup>	10.2 @ 4953
FLHRSE4 Screamin Eagle Road King	1800	63-1122P <sup>2</sup>	12.9 @ 4612	XL883 Sportster	883	63-1126 <sup>2</sup>	8.6 @ 5533
		63-1122 <sup>2</sup>	12.9 @ 4612	XL883C Sportster Custom	871	63-1126 <sup>2</sup>	8.6 @ 5533
FLHT Electra Glide Standard	1584	63-1122P <sup>2</sup>	12.9 @ 4612	XL883L Sportster Low	883	63-1126 <sup>2</sup>	8.6 @ 5533
		63-1122 <sup>2</sup>	12.9 @ 4612	XL1200C Sportster Custom	1200	63-1126 <sup>2</sup>	8.6 @ 5533
FLHTC Electra Glide Classic	1584	63-1122P <sup>2</sup>	12.9 @ 4612	XL1200L Sportster Low	1200	63-1126 <sup>2</sup>	8.6 @ 5533
		63-1122 <sup>2</sup>	12.9 @ 4612	XL1200N Sportster Nightster	1200	63-1126 <sup>2</sup>	8.6 @ 5533
FLHX Street Glide	1584	63-1122P <sup>2</sup>	12.9 @ 4612	XL1200R Sportster Roadster	1200	63-1126 <sup>2</sup>	8.6 @ 5533
		63-1122 <sup>2</sup>	12.9 @ 4612	<b>2007 HARLEY DAVIDSON</b>			
FLSTC Heritage Softail Classic	1586	63-1125P <sup>2</sup>	10.2 @ 4953	FLHR Road King	1586	63-1125P <sup>2</sup>	10.2 @ 4953
		63-1125 <sup>2</sup>	10.2 @ 4953			63-1125 <sup>2</sup>	10.2 @ 4953
FLSTF Fat Boy	1586	63-1125P <sup>2</sup>	10.2 @ 4953	FLHRC Road King Classic	1586	63-1125P <sup>2</sup>	10.2 @ 4953
		63-1125 <sup>2</sup>	10.2 @ 4953			63-1125 <sup>2</sup>	10.2 @ 4953
FLSTN Softail Deluxe	1586	63-1125P <sup>2</sup>	10.2 @ 4953	FLHRS Road King Custom	1586	63-1125P <sup>2</sup>	10.2 @ 4953
		63-1125 <sup>2</sup>	10.2 @ 4953			63-1125 <sup>2</sup>	10.2 @ 4953
		63-1125 <sup>2</sup>	10.2 @ 4953	FLHT Electra Glide Standard	1586	63-1125P <sup>2</sup>	10.2 @ 4953

1) Street legal in all US states. 2) Street legal in most states, but not legal for use in California or other states with similar emission control regulations.

\* Estimated horsepower gains are based on specific or similar vehicle dyno tests. Results will vary. See Page 81 for more information.



# Intake Systems

# HARLEY DAVIDSON

Vehicle	Engine Type	Intake Kit	Estimated Horsepower*	Vehicle	Engine Type	Intake Kit	Estimated Horsepower*
<b>2007 HARLEY DAVIDSON</b>				<b>2007 HARLEY DAVIDSON</b>			
FLHT Electra Glide Standard	1586	63-1125 <sup>2</sup>	10.2 @ 4953	XL883 Sportster	883	63-1126 <sup>2</sup>	8.6 @ 5533
FLHTC Electra Glide Classic	1586	63-1125P <sup>2</sup>	10.2 @ 4953	XL883R Sportster	871	63-1126 <sup>2</sup>	8.6 @ 5533
		63-1125 <sup>2</sup>	10.2 @ 4953	XL1200C Sportster Custom	1200	63-1126 <sup>2</sup>	8.6 @ 5533
FLHTCU Ultra Classic Electra Glide	1586	63-1125P <sup>2</sup>	10.2 @ 4953	XL1200L Sportster Low	1200	63-1126 <sup>2</sup>	8.6 @ 5533
		63-1125 <sup>2</sup>	10.2 @ 4953	XL1200N Sportster Nightster	1200	63-1126 <sup>2</sup>	8.6 @ 5533
				XL1200R Sportster Roadster	1200	63-1126 <sup>2</sup>	8.6 @ 5533
<b>2006 HARLEY DAVIDSON</b>				<b>2006 HARLEY DAVIDSON</b>			
FLHX Street Glide	1586	63-1125P <sup>2</sup>	10.2 @ 4953	FLHRCI Road King Classic F/I	1432	63-1125P <sup>2</sup>	10.2 @ 4953
		63-1125 <sup>2</sup>	10.2 @ 4953			63-1125 <sup>2</sup>	10.2 @ 4953
FLSTC Heritage Softail Classic	1586	63-1125P <sup>2</sup>	10.2 @ 4953	FLHRI Road King F/I	1432	63-1125P <sup>2</sup>	10.2 @ 4953
		63-1125 <sup>2</sup>	10.2 @ 4953			63-1125 <sup>2</sup>	10.2 @ 4953
FLSTF Fat Boy	1586	63-1125P <sup>2</sup>	10.2 @ 4953	FLHRSI Road King Custom F/I	1432	63-1125P <sup>2</sup>	10.2 @ 4953
		63-1125 <sup>2</sup>	10.2 @ 4953			63-1125P <sup>2</sup>	10.2 @ 4953
FLSTN Softail Deluxe	1586	63-1125P <sup>2</sup>	10.2 @ 4953	FLHTCI Electra Glide Classic F/I	1432	63-1125 <sup>2</sup>	10.2 @ 4953
		63-1125 <sup>2</sup>	10.2 @ 4953			63-1125P <sup>2</sup>	10.2 @ 4953
FLSTSC Softail Springer	1584	63-1125P <sup>2</sup>	10.2 @ 4953	FLHTCUI Ultra Classic Electra Glide F/I	1432	63-1125 <sup>2</sup>	10.2 @ 4953
		63-1125 <sup>2</sup>	10.2 @ 4953			63-1125P <sup>2</sup>	10.2 @ 4953
FLTR Road Glide	1586	63-1125P <sup>2</sup>	10.2 @ 4953	FLHTI Electra Glide Standard F/I	1432	63-1125 <sup>2</sup>	10.2 @ 4953
		63-1125 <sup>2</sup>	10.2 @ 4953			63-1125P <sup>2</sup>	10.2 @ 4953
FXD Dyna Super Glide	1586	63-1125P <sup>2</sup>	10.2 @ 4953	FLHXI Street Glide F/I	1432	63-1125 <sup>2</sup>	10.2 @ 4953
		63-1125 <sup>2</sup>	10.2 @ 4953			63-1125P <sup>2</sup>	10.2 @ 4953
FXDB Dyna Street Bob	1586	63-1125P <sup>2</sup>	10.2 @ 4953	FLSTCI Heritage Softail Classic F/I	1432	63-1125 <sup>2</sup>	10.2 @ 4953
		63-1125 <sup>2</sup>	10.2 @ 4953			63-1125P <sup>2</sup>	10.2 @ 4953
FXDC Dyna Super Glide Custom	1586	63-1125P <sup>2</sup>	10.2 @ 4953	FLSTFI Fat Boy F/I	1432	63-1125 <sup>2</sup>	10.2 @ 4953
		63-1125 <sup>2</sup>	10.2 @ 4953			63-1125P <sup>2</sup>	10.2 @ 4953
FXDL Dyna Low Rider	1586	63-1125 <sup>2</sup>	10.2 @ 4953	FLSTI Heritage Softail F/I	1432	63-1125 <sup>2</sup>	10.2 @ 4953
FXDWG Dyna Wide Glide	1586	63-1125P <sup>2</sup>	10.2 @ 4953			63-1125P <sup>2</sup>	10.2 @ 4953
		63-1125 <sup>2</sup>	10.2 @ 4953			63-1125 <sup>2</sup>	10.2 @ 4953
FXST Softail Standard	1586	63-1125P <sup>2</sup>	10.2 @ 4953	FLSTNI Softail Deluxe F/I	1432	63-1125 <sup>2</sup>	10.2 @ 4953
		63-1125 <sup>2</sup>	10.2 @ 4953			63-1125P <sup>2</sup>	10.2 @ 4953
FXSTB Night Train	1586	63-1125P <sup>2</sup>	10.2 @ 4953	FLTRI Road Glide F/I	1432	63-1125 <sup>2</sup>	10.2 @ 4953
		63-1125 <sup>2</sup>	10.2 @ 4953			63-1125P <sup>2</sup>	10.2 @ 4953
FXSTC Softail Custom	1584	63-1125P <sup>2</sup>	10.2 @ 4953	FXDBI Street Bob F/I	1432	63-1125 <sup>2</sup>	10.2 @ 4953
		63-1125 <sup>2</sup>	10.2 @ 4953			63-1125P <sup>2</sup>	10.2 @ 4953
FXSTD Softail Deuce	1586	63-1125P <sup>2</sup>	10.2 @ 4953	FXDCI Dyna Super Glide Custom F/I	1432	63-1125 <sup>2</sup>	10.2 @ 4953
		63-1125 <sup>2</sup>	10.2 @ 4953			63-1125P <sup>2</sup>	10.2 @ 4953
XL50 50th Anniversary Sportster	1200	63-1126 <sup>2</sup>	8.6 @ 5533	FXDI Dyna Super Glide F/I	1432	63-1125 <sup>2</sup>	10.2 @ 4953
						63-1125P <sup>2</sup>	10.2 @ 4953

1) Street legal in all US states. 2) Street legal in most states, but not legal for use in California or other states with similar emission control regulations.

\* Estimated horsepower gains are based on specific or similar vehicle dyno tests. Results will vary. See Page 81 for more information. Partial Listing - Complete List of Vehicles and Applications at knfilters.com. See page 82 for information on intake tube materials/colors.

# HARLEY DAVIDSON

# Intake Systems

Vehicle	Engine Type	Intake Kit	Estimated Horsepower*	Vehicle	Engine Type	Intake Kit	Estimated Horsepower*
<b>2006 HARLEY DAVIDSON</b>				<b>2005 HARLEY DAVIDSON</b>			
FXDI35 35th Anniv. Super Glide F/I	1432	63-1125P <sup>2</sup>	10.2 @ 4953	FLTRI Road Glide F/I	1432	63-1125 <sup>2</sup>	10.2 @ 4953
		63-1125 <sup>2</sup>	10.2 @ 4953	FXDCI Dyna Super Glide Custom F/I	1432	63-1125P <sup>2</sup>	10.2 @ 4953
						63-1125 <sup>2</sup>	10.2 @ 4953
FXDL Dyna Low Rider	1432	63-1125P <sup>2</sup>	10.2 @ 4953	FXDI Dyna Super Glide F/I	1432	63-1125P <sup>2</sup>	10.2 @ 4953
		63-1125 <sup>2</sup>	10.2 @ 4953			63-1125 <sup>2</sup>	10.2 @ 4953
FXDLI Dyna Low Rider F/I	1432	63-1125P <sup>2</sup>	10.2 @ 4953	FXDLI Dyna Low Rider F/I	1432	63-1125P <sup>2</sup>	10.2 @ 4953
		63-1125 <sup>2</sup>	10.2 @ 4953			63-1125 <sup>2</sup>	10.2 @ 4953
FXDWGI Dyna Wide Glide F/I	1432	63-1125P <sup>2</sup>	10.2 @ 4953	FXDWGI Dyna Wide Glide F/I	1432	63-1125P <sup>2</sup>	10.2 @ 4953
		63-1125 <sup>2</sup>	10.2 @ 4953			63-1125 <sup>2</sup>	10.2 @ 4953
FXSTBI Night Train F/I	1450	63-1125P <sup>2</sup>	10.2 @ 4953	FXDXI Dyna Super Glide Sport F/I	1450	63-1125P <sup>2</sup>	10.2 @ 4953
		63-1125 <sup>2</sup>	10.2 @ 4953			63-1125 <sup>2</sup>	10.2 @ 4953
FXSTDI Softail Deuce F/I	1432	63-1125P <sup>2</sup>	10.2 @ 4953	FXSTBI Night Train F/I	1450	63-1125P <sup>2</sup>	10.2 @ 4953
		63-1125 <sup>2</sup>	10.2 @ 4953			63-1125 <sup>2</sup>	10.2 @ 4953
FXSTI Softail Standard F/I	1432	63-1125P <sup>2</sup>	10.2 @ 4953	FXSTDI Softail Deuce F/I	1432	63-1125P <sup>2</sup>	10.2 @ 4953
		63-1125 <sup>2</sup>	10.2 @ 4953			63-1125 <sup>2</sup>	10.2 @ 4953
FXSTSI Springer Softail F/I	1450	63-1125P <sup>2</sup>	10.2 @ 4953	FXSTI Softail Standard F/I	1432	63-1125P <sup>2</sup>	10.2 @ 4953
						63-1125 <sup>2</sup>	10.2 @ 4953
<b>2005 HARLEY DAVIDSON</b>				<b>2004 HARLEY DAVIDSON</b>			
FLHRCI Road King Classic F/I	1432	63-1125P <sup>2</sup>	10.2 @ 4953	FLHRCI Road King Classic F/I	1432	63-1125P <sup>2</sup>	10.2 @ 4953
		63-1125 <sup>2</sup>	10.2 @ 4953			63-1125 <sup>2</sup>	10.2 @ 4953
FLHRI Road King F/I	1432	63-1125P <sup>2</sup>	10.2 @ 4953	FLHRI Road King F/I	1432	63-1125P <sup>2</sup>	10.2 @ 4953
		63-1125 <sup>2</sup>	10.2 @ 4953			63-1125 <sup>2</sup>	10.2 @ 4953
FLHRSI Road King Custom F/I	1432	63-1125P <sup>2</sup>	10.2 @ 4953	FLHRSI Road King Custom F/I	1432	63-1125P <sup>2</sup>	10.2 @ 4953
		63-1125 <sup>2</sup>	10.2 @ 4953			63-1125 <sup>2</sup>	10.2 @ 4953
FLHTCUI Ultra Classic Electra Glide F/I	1432	63-1125P <sup>2</sup>	10.2 @ 4953	FLHTCUI Ultra Classic Electra Glide F/I	1432	63-1125P <sup>2</sup>	10.2 @ 4953
		63-1125 <sup>2</sup>	10.2 @ 4953			63-1125 <sup>2</sup>	10.2 @ 4953
FLHTI Electra Glide Standard F/I	1432	63-1125P <sup>2</sup>	10.2 @ 4953	FLHTI Electra Glide Standard F/I	1432	63-1125P <sup>2</sup>	10.2 @ 4953
		63-1125 <sup>2</sup>	10.2 @ 4953			63-1125P <sup>2</sup>	10.2 @ 4953
FLSTCI Heritage Softail Classic F/I	1432	63-1125P <sup>2</sup>	10.2 @ 4953	FLSTCI Heritage Softail Classic F/I	1432	63-1125P <sup>2</sup>	10.2 @ 4953
		63-1125 <sup>2</sup>	10.2 @ 4953			63-1125 <sup>2</sup>	10.2 @ 4953
FLSTFI Fat Boy F/I	1432	63-1125 <sup>2</sup>	10.2 @ 4953	FLHTI Electra Glide Standard F/I	1432	63-1125P <sup>2</sup>	10.2 @ 4953
FLSTNI Softail Deluxe F/I	1432	63-1125P <sup>2</sup>	10.2 @ 4953	FLSTFI Fat Boy F/I	1432	63-1125 <sup>2</sup>	10.2 @ 4953
		63-1125 <sup>2</sup>	10.2 @ 4953			63-1125 <sup>2</sup>	10.2 @ 4953
FLSTSCI Softail Springer Classic F/I	1432	63-1125P <sup>2</sup>	10.2 @ 4953	FLSTSCI Heritage Softail Classic F/I	1432	63-1125P <sup>2</sup>	10.2 @ 4953
		63-1125 <sup>2</sup>	10.2 @ 4953			63-1125 <sup>2</sup>	10.2 @ 4953
FLTRI Road Glide F/I	1432	63-1125P <sup>2</sup>	10.2 @ 4953	FLSTFI Fat Boy F/I	1432	63-1125P <sup>2</sup>	10.2 @ 4953
						63-1125 <sup>2</sup>	10.2 @ 4953
				FLTRI Road Glide F/I	1432	63-1125P <sup>2</sup>	10.2 @ 4953

1) Street legal in all US states. 2) Street legal in most states, but not legal for use in California or other states with similar emission control regulations.

\* Estimated horsepower gains are based on specific or similar vehicle dyno tests. Results will vary. See Page 81 for more information.

Partial Listing - Complete List of Vehicles and Applications at [knfilters.com](http://knfilters.com). See page 82 for information on intake tube materials/colors.

# Intake Systems

# HARLEY DAVIDSON

Vehicle	Engine Type	Intake Kit	Estimated Horsepower*	Vehicle	Engine Type	Intake Kit	Estimated Horsepower*
<b>2004 HARLEY DAVIDSON</b>				<b>2002 HARLEY DAVIDSON</b>			
FLTRI Road Glide F/I	1432	63-1125 <sup>2</sup>	10.2 @ 4953	FLHRCI Road King Classic F/I	1432	63-1125P <sup>2</sup>	10.2 @ 4953
FXDI Dyna Super Glide F/I	1432	63-1125P <sup>2</sup>	10.2 @ 4953			63-1125 <sup>2</sup>	10.2 @ 4953
		63-1125 <sup>2</sup>	10.2 @ 4953	FLHTCI Electra Glide Classic F/I	1432	63-1125P <sup>2</sup>	10.2 @ 4953
FXDLI Dyna Low Rider F/I	1432	63-1125P <sup>2</sup>	10.2 @ 4953			63-1125 <sup>2</sup>	10.2 @ 4953
		63-1125 <sup>2</sup>	10.2 @ 4953	FLSTCI Heritage Softail Classic F/I	1450	63-1125P <sup>2</sup>	10.2 @ 4953
FXDWGI Dyna Wide Glide F/I	1432	63-1125P <sup>2</sup>	10.2 @ 4953			63-1125 <sup>2</sup>	10.2 @ 4953
		63-1125 <sup>2</sup>	10.2 @ 4953	FLSTFI Fat Boy F/I	1432	63-1125P <sup>2</sup>	10.2 @ 4953
FXSTBI Night Train F/I	1450	63-1125P <sup>2</sup>	10.2 @ 4953			63-1125 <sup>2</sup>	10.2 @ 4953
		63-1125 <sup>2</sup>	10.2 @ 4953	FXSTBI Night Train F/I	1450	63-1125P <sup>2</sup>	10.2 @ 4953
FXSTDI Softail Deuce F/I	1432	63-1125P <sup>2</sup>	10.2 @ 4953			63-1125 <sup>2</sup>	10.2 @ 4953
		63-1125 <sup>2</sup>	10.2 @ 4953	FXSTDI Softail Deuce F/I	1432	63-1125P <sup>2</sup>	10.2 @ 4953
FXSTI Softail Standard F/I	1432	63-1125P <sup>2</sup>	10.2 @ 4953			63-1125 <sup>2</sup>	10.2 @ 4953
		63-1125 <sup>2</sup>	10.2 @ 4953	FXSTI Softail Standard F/I	1432	63-1125P <sup>2</sup>	10.2 @ 4953
		63-1125 <sup>2</sup>	10.2 @ 4953			63-1125 <sup>2</sup>	10.2 @ 4953
<b>2003 HARLEY DAVIDSON</b>				<b>2001 HARLEY DAVIDSON</b>			
FLHRCI Road King Classic F/I	1432	63-1125P <sup>2</sup>	10.2 @ 4953	FLSTFI Fat Boy F/I	1432	63-1125P <sup>2</sup>	10.2 @ 4953
		63-1125 <sup>2</sup>	10.2 @ 4953			63-1125 <sup>2</sup>	10.2 @ 4953
FLHRI Road King F/I	1432	63-1125P <sup>2</sup>	10.2 @ 4953	FXSTDI Softail Deuce F/I	1432	63-1125P <sup>2</sup>	10.2 @ 4953
		63-1125 <sup>2</sup>	10.2 @ 4953			63-1125 <sup>2</sup>	10.2 @ 4953
FLHTCI Electra Glide Classic F/I	1432	63-1125P <sup>2</sup>	10.2 @ 4953			63-1125 <sup>2</sup>	10.2 @ 4953
		63-1125 <sup>2</sup>	10.2 @ 4953	<b>2011 HONDA</b>			
FLHTI Electra Glide Standard F/I	1432	63-1125P <sup>2</sup>	10.2 @ 4953	Accord	2.4L L4 F/I	69-1211TTK <sup>2</sup>	11.1 @ 5600
		63-1125 <sup>2</sup>	10.2 @ 4953	Accord	3.5L V6 F/I	69-1210TS <sup>2</sup>	10.2 @ 5217
FLSTCI Heritage Softail Classic F/I	1450	63-1125P <sup>2</sup>	10.2 @ 4953	Accord Crosstour	3.5L V6 F/I	69-1210TS <sup>2</sup>	10.2 @ 5217
		63-1125 <sup>2</sup>	10.2 @ 4953	Civic	1.8L L4 F/I - US	69-1013TS <sup>2</sup>	5.7 @ 5700
FLSTFI Fat Boy F/I	1432	63-1125P <sup>2</sup>	10.2 @ 4953	Civic Si	2.0L L4 F/I	69-1014TS <sup>2</sup>	7.0 @ 6700
		63-1125 <sup>2</sup>	10.2 @ 4953	Fit	1.5L L4 F/I	69-1017TTK <sup>2</sup>	4.5 @ 5900
FLSTSI Heritage Springer F/I	1432	63-1125P <sup>2</sup>	10.2 @ 4953	<b>2010 HONDA</b>			
		63-1125 <sup>2</sup>	10.2 @ 4953	Accord	2.4L L4 F/I	69-1211TTK <sup>2</sup>	11.1 @ 5600
FLTRI Road Glide F/I	1432	63-1125P <sup>2</sup>	10.2 @ 4953	Accord	3.5L V6 F/I	69-1210TS <sup>2</sup>	10.2 @ 5217
		63-1125 <sup>2</sup>	10.2 @ 4953	Accord Crosstour	3.5L V6 F/I	69-1210TS <sup>2</sup>	10.2 @ 5217
FXSTBI Night Train F/I	1450	63-1125P <sup>2</sup>	10.2 @ 4953	Civic	1.8L L4 F/I - US	69-1013TS <sup>2</sup>	5.7 @ 5700
		63-1125 <sup>2</sup>	10.2 @ 4953	Civic GX	1.8L L4 F/I - US	69-1013TS <sup>2</sup>	5.7 @ 5700
FXSTDI Softail Deuce F/I	1432	63-1125P <sup>2</sup>	10.2 @ 4953	Civic Si	2.0L L4 F/I	69-1014TS <sup>2</sup>	7.0 @ 6700
		63-1125 <sup>2</sup>	10.2 @ 4953	Fit	1.5L L4 F/I	69-1017TTK <sup>2</sup>	4.5 @ 5900
FXSTI Softail Standard F/I	1432	63-1125P <sup>2</sup>	10.2 @ 4953	<b>2009 HONDA</b>			
		63-1125 <sup>2</sup>	10.2 @ 4953	Accord	2.4L L4 F/I	69-1211TTK <sup>2</sup>	11.1 @ 5600
		63-1125 <sup>2</sup>	10.2 @ 4953	Accord	3.5L V6 F/I	69-1210TS <sup>2</sup>	10.2 @ 5217
		63-1125 <sup>2</sup>	10.2 @ 4953	Civic	1.8L L4 F/I - US	69-1013TS <sup>2</sup>	5.7 @ 5700
		63-1125 <sup>2</sup>	10.2 @ 4953	Civic Si	2.0L L4 F/I	69-1014TS <sup>2</sup>	7.0 @ 6700
		63-1125 <sup>2</sup>	10.2 @ 4953	Fit	1.5L L4 F/I	69-1017TTK <sup>2</sup>	4.5 @ 5900
		63-1125 <sup>2</sup>	10.2 @ 4953	<b>2008 HONDA</b>			
		63-1125 <sup>2</sup>	10.2 @ 4953	Accord	2.4L L4 F/I	69-1211TTK <sup>2</sup>	11.1 @ 5600
		63-1125 <sup>2</sup>	10.2 @ 4953	Accord	3.5L V6 F/I	69-1210TS <sup>2</sup>	10.2 @ 5217
		63-1125 <sup>2</sup>	10.2 @ 4953	Accord VIII	2.0L L4 F/I - Non-US	69-1206TP <sup>2</sup>	3.9 @ 5097
		63-1125 <sup>2</sup>	10.2 @ 4953	Accord VIII	2.4L L4 F/I - Non-US	69-1206TP <sup>2</sup>	3.9 @ 5097
		63-1125 <sup>2</sup>	10.2 @ 4953			69-0025TP <sup>2</sup>	4.2 @ 5300

1) Street legal in all US states. 2) Street legal in most states, but not legal for use in California or other states with similar emission control regulations.

\* Estimated horsepower gains are based on specific or similar vehicle dyno tests. Results will vary. See Page 81 for more information. Partial Listing - Complete List of Vehicles and Applications at knfilters.com. See page 82 for information on intake tube materials/colors.

# HONDA

# Intake Systems

Vehicle	Engine Type	Intake Kit	Estimated Horsepower*	Vehicle	Engine Type	Intake Kit	Estimated Horsepower*
<b>2008 HONDA</b>				<b>2005 HONDA</b>			
Civic	1.8L L4 F/I - US	69-1013TS <sup>2</sup>	5.7 @ 5700	Civic EX	1.7L L4 F/I	69-1008TB <sup>1</sup>	5.0 @ 5200
Civic Si	2.0L L4 F/I	69-1014TS <sup>2</sup>	7.0 @ 6700			63-3513 <sup>2</sup>	4.8 @ 6200
Fit	1.5L L4 F/I	69-1016-1TS <sup>2</sup>	5.0 @ 5500			57-3513 <sup>1</sup>	4.8 @ 6200
Ridgeline	3.5L V6 F/I	77-3515KP <sup>2</sup>	9.7 @ 5159	Civic GX	1.7L L4 F/I	63-3513 <sup>2</sup>	4.8 @ 6200
		63-3515 <sup>2</sup>	11.0 @ 5159	Civic HX	1.7L L4 F/I	63-3513 <sup>2</sup>	4.8 @ 6200
S2000	2.2L L4 F/I	63-3514 <sup>2</sup>	9.6 @ 6500	Civic LX	1.7L L4 F/I	69-1008TS <sup>1</sup>	5.0 @ 5200
<b>2007 HONDA</b>						69-1008TB <sup>1</sup>	5.0 @ 5200
Accord	2.4L L4 F/I - SULEV	69-1209TS <sup>2</sup>	7.1 @ 5111			63-3513 <sup>2</sup>	4.8 @ 6200
Accord	3.0L V6 F/I	69-1207TR <sup>2</sup>	10.4 @ 5522			57-3513 <sup>1</sup>	4.8 @ 6200
		69-1207TP <sup>2</sup>	10.4 @ 5522	Civic Si	1.7L L4 F/I	69-1008TS <sup>2</sup>	5.0 @ 5200
Accord VIII	2.0L L4 F/I - Non-US	69-1206TP <sup>2</sup>	3.9 @ 5097			69-1008TB <sup>2</sup>	5.0 @ 5200
Accord VIII	2.4L L4 F/I - Non-US	69-1206TP <sup>2</sup>	3.9 @ 5097			63-3513 <sup>2</sup>	4.8 @ 6200
		69-0025TP <sup>2</sup>	4.2 @ 5300			57-3513 <sup>1</sup>	4.8 @ 6200
Civic	1.8L L4 F/I - US	69-1013TS <sup>2</sup>	5.7 @ 5700	Civic Si	2.0L L4 F/I	69-1009TWR <sup>2</sup>	10.5 @ 7014
Civic Si	2.0L L4 F/I	69-1014TS <sup>2</sup>	7.0 @ 6700			69-1009TR <sup>2</sup>	10.5 @ 7014
Fit	1.5L L4 F/I	69-1016-1TS <sup>2</sup>	5.0 @ 5500			69-1009TP <sup>2</sup>	10.5 @ 7014
Ridgeline	3.5L V6 F/I	77-3515KP <sup>1</sup>	9.7 @ 5159	Civic Value Package	1.7L L4 F/I	69-1008TS <sup>2</sup>	5.0 @ 5200
		57-3515 <sup>1</sup>	10.7 @ 5159			69-1008TB <sup>2</sup>	5.0 @ 5200
S2000	2.0L L4 F/I	69-1040TWR <sup>2</sup>	5.6 @ 5220			63-3513 <sup>2</sup>	4.8 @ 6200
		69-1040TP <sup>2</sup>	5.6 @ 5220			57-3513 <sup>1</sup>	4.8 @ 6200
		63-3514 <sup>2</sup>	9.6 @ 6500	Civic VI	1.6L L4 F/I	69-1008TS <sup>2</sup>	5.0 @ 5200
S2000	2.2L L4 F/I	57-3514 <sup>1</sup>	9.6 @ 6400			69-1008TB <sup>2</sup>	5.0 @ 5200
<b>2006 HONDA</b>						69-1007TS <sup>2</sup>	4.9 @ 6237
Accord	2.4L L4 F/I - SULEV	69-1209TS <sup>2</sup>	7.1 @ 5111	Civic VI	1.7L L4 F/I	69-1008TS <sup>2</sup>	5.0 @ 5200
Accord	2.4L L4 F/I - w/o mass air	69-1206TP <sup>2</sup>	3.9 @ 5097			69-1008TB <sup>2</sup>	5.0 @ 5200
Accord	3.0L V6 F/I	69-1207TR <sup>1</sup>	10.4 @ 5522	Civic VI	1.7L L4 F/I - 5 spd.	69-1007TS <sup>2</sup>	4.9 @ 6237
		69-1207TP <sup>1</sup>	10.4 @ 5522	Civic VI	2.0L L4 F/I - 200BHP	69-1009TWR <sup>2</sup>	10.5 @ 7014
Accord VIII	2.0L L4 F/I - Non-US	69-1206TP <sup>2</sup>	3.9 @ 5097			69-1009TR <sup>2</sup>	10.5 @ 7014
Accord VIII	2.4L L4 F/I - Non-US	69-1206TP <sup>2</sup>	3.9 @ 5097	Element	2.4L L4 F/I	69-1009TP <sup>2</sup>	10.5 @ 7014
		69-0025TP <sup>2</sup>	4.2 @ 5300			69-1015TP <sup>1</sup>	7.0 @ 4800
Civic	1.8L L4 F/I - US	69-1013TS <sup>2</sup>	5.7 @ 5700			69-1015TB <sup>1</sup>	7.0 @ 4800
Civic Si	2.0L L4 F/I	69-1014TS <sup>2</sup>	7.0 @ 6700	S2000	2.0L L4 F/I	69-1040TWR <sup>2</sup>	5.6 @ 5220
Civic VI	1.6L L4 F/I	69-1008TS <sup>2</sup>	5.0 @ 5200			69-1040TP <sup>2</sup>	5.6 @ 5220
		69-1008TB <sup>2</sup>	5.0 @ 5200			63-3514 <sup>2</sup>	9.6 @ 6500
		69-1007TS <sup>2</sup>	4.9 @ 6237	S2000	2.2L L4 F/I	69-1040TWR <sup>1</sup>	5.6 @ 5220
Element	2.4L L4 F/I	69-1015TP <sup>1</sup>	7.0 @ 4800			69-1040TP <sup>1</sup>	5.6 @ 5220
		69-1015TB <sup>1</sup>	7.0 @ 4800			57-3514 <sup>1</sup>	9.6 @ 6400
Ridgeline	3.5L V6 F/I	77-3515KP <sup>1</sup>	9.7 @ 5159	TRX450R	444	63-1127 <sup>2</sup>	3.0 @ 6200
		57-3515 <sup>1</sup>	10.7 @ 5159	<b>2004 HONDA</b>			
S2000	2.0L L4 F/I	69-1040TWR <sup>2</sup>	5.6 @ 5220	Accord	2.4L L4 F/I - SULEV	69-1209TS <sup>2</sup>	7.1 @ 5111
		69-1040TP <sup>2</sup>	5.6 @ 5220	Accord	2.4L L4 F/I - w/o mass air	69-1206TP <sup>1</sup>	3.9 @ 5097
		63-3514 <sup>2</sup>	9.6 @ 6500	Accord	3.0L V6 F/I	69-1207TR <sup>1</sup>	10.4 @ 5522
S2000	2.2L L4 F/I	57-3514 <sup>1</sup>	9.6 @ 6400			69-1207TP <sup>1</sup>	10.4 @ 5522
<b>2005 HONDA</b>				Accord VIII	2.0L L4 F/I - Non-US	69-1206TP <sup>2</sup>	3.9 @ 5097
Accord	2.4L L4 F/I - SULEV	69-1209TS <sup>2</sup>	7.1 @ 5111	Accord VIII	2.4L L4 F/I - Non-US	69-1206TP <sup>2</sup>	3.9 @ 5097
Accord	2.4L L4 F/I - w/o mass air	69-1206TP <sup>2</sup>	3.9 @ 5097			69-0025TP <sup>2</sup>	4.2 @ 5300
Accord	3.0L V6 F/I	69-1207TR <sup>1</sup>	10.4 @ 5522	Civic DX	1.7L L4 F/I	69-1008TS <sup>1</sup>	5.0 @ 5200
		69-1207TP <sup>1</sup>	10.4 @ 5522			69-1008TB <sup>1</sup>	5.0 @ 5200
Accord VIII	2.0L L4 F/I - Non-US	69-1206TP <sup>2</sup>	3.9 @ 5097			57-3513 <sup>1</sup>	4.8 @ 6200
Accord VIII	2.4L L4 F/I - Non-US	69-1206TP <sup>2</sup>	3.9 @ 5097	Civic DX	1.7L L4 F/I - Manual Trans.	69-1007TS <sup>1</sup>	4.9 @ 6237
		69-0025TP <sup>2</sup>	4.2 @ 5300	Civic EX	1.7L L4 F/I	69-1008TS <sup>1</sup>	5.0 @ 5200
Civic DX	1.7L L4 F/I	69-1008TS <sup>1</sup>	5.0 @ 5200			69-1008TB <sup>1</sup>	5.0 @ 5200
		69-1008TB <sup>1</sup>	5.0 @ 5200			57-3513 <sup>1</sup>	4.8 @ 6200
		63-3513 <sup>2</sup>	4.8 @ 6200	Civic EX	1.7L L4 F/I - Manual Trans.	69-1007TS <sup>1</sup>	4.9 @ 6237
		57-3513 <sup>1</sup>	4.8 @ 6200	Civic GX	1.7L L4 F/I	57-3513 <sup>1</sup>	4.8 @ 6200
Civic EX	1.7L L4 F/I	69-1008TS <sup>1</sup>	5.0 @ 5200	Civic HX	1.7L L4 F/I	57-3513 <sup>1</sup>	4.8 @ 6200

1) Street legal in all US states. 2) Street legal in most states, but not legal for use in California or other states with similar emission control regulations.

\* Estimated horsepower gains are based on specific or similar vehicle dyno tests. Results will vary. See Page 81 for more information.

# Intake Systems

# HONDA

Vehicle	Engine Type	Intake Kit	Estimated Horsepower*	Vehicle	Engine Type	Intake Kit	Estimated Horsepower*
<b>2004 HONDA</b>				<b>2003 HONDA</b>			
<b>Civic HX</b>	1.7L L4 F/I - Manual Trans.	69-1007TS <sup>1</sup>	4.9 @ 6237	<b>Civic LX</b>	1.7L L4 F/I	69-1008TS <sup>1</sup>	5.0 @ 5200
<b>Civic LX</b>	1.7L L4 F/I	69-1008TS <sup>1</sup>	5.0 @ 5200			69-1008TB <sup>1</sup>	5.0 @ 5200
		69-1008TB <sup>1</sup>	5.0 @ 5200	<b>Civic LX</b>	1.7L L4 F/I - Manual Trans.	57-3513 <sup>1</sup>	4.8 @ 6200
		57-3513 <sup>1</sup>	4.8 @ 6200	<b>Civic Si</b>	1.7L L4 F/I	69-1007TS <sup>1</sup>	4.9 @ 6237
<b>Civic LX</b>	1.7L L4 F/I - Manual Trans.	69-1007TS <sup>1</sup>	4.9 @ 6237	<b>Civic Si</b>	1.7L L4 F/I	69-1008TS <sup>2</sup>	5.0 @ 5200
<b>Civic Si</b>	1.7L L4 F/I	69-1008TS <sup>2</sup>	5.0 @ 5200			69-1008TB <sup>2</sup>	5.0 @ 5200
		69-1008TB <sup>2</sup>	5.0 @ 5200	<b>Civic Si</b>	1.7L L4 F/I - Manual Trans.	57-3513 <sup>1</sup>	4.8 @ 6200
		57-3513 <sup>1</sup>	4.8 @ 6200	<b>Civic Si</b>	2.0L L4 F/I	69-1007TS <sup>1</sup>	4.9 @ 6237
<b>Civic Si</b>	1.7L L4 F/I - Manual Trans.	69-1007TS <sup>1</sup>	4.9 @ 6237	<b>Civic Si</b>	2.0L L4 F/I	69-1009TWR <sup>1</sup>	10.5 @ 7014
<b>Civic Si</b>	2.0L L4 F/I	69-1009TWR <sup>1</sup>	10.5 @ 7014			69-1009TR <sup>1</sup>	10.5 @ 7014
		69-1009TR <sup>1</sup>	10.5 @ 7014	<b>Civic VI</b>	1.6L L4 F/I	69-1009TP <sup>1</sup>	10.5 @ 7014
		69-1009TP <sup>1</sup>	10.5 @ 7014			69-1008TS <sup>2</sup>	5.0 @ 5200
<b>Civic Value Package</b>	1.7L L4 F/I	69-1008TS <sup>2</sup>	5.0 @ 5200	<b>Civic VI</b>	1.7L L4 F/I	69-1008TB <sup>2</sup>	5.0 @ 5200
		69-1008TB <sup>2</sup>	5.0 @ 5200			69-1007TS <sup>2</sup>	4.9 @ 6237
		57-3513 <sup>1</sup>	4.8 @ 6200	<b>Civic VI</b>	1.7L L4 F/I	69-1008TS <sup>2</sup>	5.0 @ 5200
<b>Civic Value Package</b>	1.7L L4 F/I - Manual Trans.	69-1007TS <sup>1</sup>	4.9 @ 6237			69-1008TB <sup>2</sup>	5.0 @ 5200
<b>Civic VI</b>	1.6L L4 F/I	69-1008TS <sup>2</sup>	5.0 @ 5200	<b>Civic VI</b>	1.7L L4 F/I - 5 spd.	69-1007TS <sup>2</sup>	4.9 @ 6237
		69-1008TB <sup>2</sup>	5.0 @ 5200	<b>Civic VI</b>	2.0L L4 F/I	69-1009TWR <sup>2</sup>	10.5 @ 7014
		69-1007TS <sup>2</sup>	4.9 @ 6237			69-1009TR <sup>2</sup>	10.5 @ 7014
<b>Civic VI</b>	1.7L L4 F/I	69-1008TS <sup>2</sup>	5.0 @ 5200	<b>CR-V</b>	2.4L L4 F/I	69-1009TP <sup>2</sup>	10.5 @ 7014
		69-1008TB <sup>2</sup>	5.0 @ 5200			69-0015TS <sup>2</sup>	2.8 @ 6500
		69-1007TS <sup>2</sup>	4.9 @ 6237	<b>Element</b>	2.4L L4 F/I	69-0015TR <sup>2</sup>	2.8 @ 6500
<b>Civic VI</b>	1.7L L4 F/I - 5 spd.	69-1007TS <sup>2</sup>	4.9 @ 6237			69-1015TP <sup>1</sup>	7.0 @ 4800
<b>Civic VI</b>	2.0L L4 F/I - 200BHP	69-1009TWR <sup>2</sup>	10.5 @ 7014	<b>Element</b>	2.4L L4 F/I	69-1015TB <sup>1</sup>	7.0 @ 4800
		69-1009TR <sup>2</sup>	10.5 @ 7014			69-1040TWR <sup>2</sup>	5.6 @ 5220
		69-1009TP <sup>2</sup>	10.5 @ 7014	<b>S2000</b>	2.0L L4 F/I	69-1040TP <sup>2</sup>	5.6 @ 5220
<b>CR-V</b>	2.4L L4 F/I	69-0015TS <sup>2</sup>	2.8 @ 6500			63-3514 <sup>2</sup>	9.6 @ 6500
		69-0015TR <sup>2</sup>	2.8 @ 6500	<b>S2000</b>	2.2L L4 F/I	69-1040TWR <sup>1</sup>	5.6 @ 5220
<b>Element</b>	2.4L L4 F/I	69-1015TP <sup>1</sup>	7.0 @ 4800			69-1040TP <sup>1</sup>	5.6 @ 5220
		69-1015TB <sup>1</sup>	7.0 @ 4800	<b>TRX450R</b>	444	57-3514 <sup>1</sup>	9.6 @ 6400
<b>S2000</b>	2.0L L4 F/I	69-1040TWR <sup>2</sup>	5.6 @ 5220			63-1127 <sup>2</sup>	3.0 @ 6200
		69-1040TP <sup>2</sup>	5.6 @ 5220	<b>2002 HONDA</b>			
<b>S2000</b>	2.2L L4 F/I	69-1040TWR <sup>1</sup>	5.6 @ 5220	<b>Accord</b>	3.0L V6 F/I	69-1203TP <sup>1</sup>	9.5 @ 5924
		69-1040TP <sup>1</sup>	5.6 @ 5220	<b>Accord VII</b>	2.2L L4 F/I	69-1500TWR <sup>2</sup>	13.0 @ 7000
		57-3514 <sup>1</sup>	9.6 @ 6400			69-1500TP <sup>2</sup>	13.0 @ 7000
<b>TRX450R</b>	444	63-1127 <sup>2</sup>	3.0 @ 6200	<b>Civic DX</b>	1.7L L4 F/I	69-1008TS <sup>1</sup>	5.0 @ 5200
<b>2003 HONDA</b>						69-1008TB <sup>1</sup>	5.0 @ 5200
<b>Accord</b>	2.4L L4 F/I - w/o mass air	69-1206TP <sup>1</sup>	3.9 @ 5097	<b>Civic DX</b>	1.7L L4 F/I - Manual Trans.	57-3513 <sup>1</sup>	4.8 @ 6200
		69-1207TR <sup>1</sup>	10.4 @ 5522	<b>Civic DX</b>	1.7L L4 F/I - Manual Trans.	69-1007TS <sup>1</sup>	4.9 @ 6237
<b>Accord</b>	3.0L V6 F/I	69-1207TP <sup>1</sup>	10.4 @ 5522			69-1008TS <sup>1</sup>	5.0 @ 5200
<b>Accord VIII</b>	2.0L L4 F/I - Non-US	69-1206TP <sup>2</sup>	3.9 @ 5097	<b>Civic EX</b>	1.7L L4 F/I	69-1008TB <sup>1</sup>	5.0 @ 5200
<b>Accord VIII</b>	2.4L L4 F/I - Non-US	69-1206TP <sup>2</sup>	3.9 @ 5097			57-3513 <sup>1</sup>	4.8 @ 6200
		69-0025TP <sup>2</sup>	4.2 @ 5300	<b>Civic EX</b>	1.7L L4 F/I	69-1007TS <sup>1</sup>	4.9 @ 6237
<b>Civic DX</b>	1.7L L4 F/I	69-1008TS <sup>1</sup>	5.0 @ 5200			69-1008TS <sup>1</sup>	5.0 @ 5200
		69-1008TB <sup>1</sup>	5.0 @ 5200	<b>Civic EX</b>	1.7L L4 F/I - Manual Trans.	57-3513 <sup>1</sup>	4.8 @ 6200
		57-3513 <sup>1</sup>	4.8 @ 6200			69-1007TS <sup>1</sup>	4.9 @ 6237
<b>Civic DX</b>	1.7L L4 F/I - Manual Trans.	69-1007TS <sup>1</sup>	4.9 @ 6237	<b>Civic LX</b>	1.7L L4 F/I	69-1008TS <sup>1</sup>	5.0 @ 5200
<b>Civic EX</b>	1.7L L4 F/I	69-1008TS <sup>1</sup>	5.0 @ 5200			69-1008TB <sup>1</sup>	5.0 @ 5200
		69-1008TB <sup>1</sup>	5.0 @ 5200	<b>Civic LX</b>	1.7L L4 F/I - Manual Trans.	57-3513 <sup>1</sup>	4.8 @ 6200
		57-3513 <sup>1</sup>	4.8 @ 6200	<b>Civic Si</b>	1.7L L4 F/I	69-1007TS <sup>1</sup>	4.9 @ 6237
<b>Civic EX</b>	1.7L L4 F/I - Manual Trans.	69-1007TS <sup>1</sup>	4.9 @ 6237			69-1008TS <sup>2</sup>	5.0 @ 5200
<b>Civic GX</b>	1.7L L4 F/I	57-3513 <sup>1</sup>	4.8 @ 6200	<b>Civic Si</b>	1.7L L4 F/I	69-1008TB <sup>2</sup>	5.0 @ 5200
<b>Civic HX</b>	1.7L L4 F/I	57-3513 <sup>1</sup>	4.8 @ 6200			57-3513 <sup>1</sup>	4.8 @ 6200
<b>Civic HX</b>	1.7L L4 F/I - Manual Trans.	69-1007TS <sup>1</sup>	4.9 @ 6237	<b>Civic Si</b>	1.7L L4 F/I - Manual Trans.	69-1007TS <sup>1</sup>	4.9 @ 6237
				<b>Civic Si</b>	2.0L L4 F/I	69-1009TWR <sup>1</sup>	10.5 @ 7014
						69-1009TR <sup>1</sup>	10.5 @ 7014
				<b>Civic Si</b>	1.6L L4 F/I	69-1009TP <sup>1</sup>	10.5 @ 7014
						69-1008TS <sup>2</sup>	5.0 @ 5200
				<b>Civic VI</b>	1.6L L4 F/I	69-1008TB <sup>2</sup>	5.0 @ 5200
						69-1008TB <sup>2</sup>	5.0 @ 5200

1) Street legal in all US states. 2) Street legal in most states, but not legal for use in California or other states with similar emission control regulations.

\* Estimated horsepower gains are based on specific or similar vehicle dyno tests. Results will vary. See Page 81 for more information. Partial Listing - Complete List of Vehicles and Applications at knfilters.com. See page 82 for information on intake tube materials/colors.



# HONDA

# Intake Systems

Vehicle	Engine Type	Intake Kit	Estimated Horsepower*	Vehicle	Engine Type	Intake Kit	Estimated Horsepower*
<b>2002 HONDA</b>				<b>2000 HONDA</b>			
Civic VI	1.6L L4 F/I	69-1007TS <sup>2</sup>	4.9 @ 6237	S2000	2.0L L4 F/I	69-1040TP <sup>1</sup>	5.6 @ 5220
Civic VI	1.7L L4 F/I	69-1008TS <sup>2</sup>	5.0 @ 5200			57-3514 <sup>1</sup>	9.6 @ 6400
		69-1008TB <sup>2</sup>	5.0 @ 5200	<b>1999 HONDA</b>			
		69-1007TS <sup>2</sup>	4.9 @ 6237	Accord	3.0L V6 F/I	69-1203TP <sup>1</sup>	9.5 @ 5924
Civic VI	2.0L L4 F/I	69-1009TWR <sup>2</sup>	10.5 @ 7014	Accord VII	2.2L L4 F/I	69-1500TWR <sup>2</sup>	13.0 @ 7000
		69-1009TR <sup>2</sup>	10.5 @ 7014			69-1500TP <sup>2</sup>	13.0 @ 7000
		69-1009TP <sup>2</sup>	10.5 @ 7014	Civic EX	1.6L L4 F/I	69-1011TP <sup>1</sup>	5.3 @ 4692
CR-V	2.4L L4 F/I	69-0015TS <sup>2</sup>	2.8 @ 6500	Civic HX	1.6L L4 F/I - Manual Trans.	63-1016 <sup>2</sup>	5.6 @ 7200
		69-0015TR <sup>2</sup>	2.8 @ 6500	Civic Si	1.6L L4 F/I	69-1010TP <sup>1</sup>	10.6 @ 7100
S2000	2.0L L4 F/I	69-1040TWR <sup>1</sup>	5.6 @ 5220			69-1005TR <sup>1</sup>	
		69-1040TP <sup>1</sup>	5.6 @ 5220			69-1005TP <sup>1</sup>	
		57-3514 <sup>1</sup>	9.6 @ 6400			69-1005TB <sup>1</sup>	
<b>2001 HONDA</b>						57-3512 <sup>1</sup>	5.8 @ 7500
Accord	3.0L V6 F/I	69-1203TP <sup>1</sup>	9.5 @ 5924	Civic V	1.5L L4 F/I - 3/4-Door	69-1011TP <sup>2</sup>	5.3 @ 4692
Accord VII	2.2L L4 F/I	69-1500TWR <sup>2</sup>	13.0 @ 7000	Prelude	2.2L L4 F/I - US	69-1302TP <sup>1</sup>	7.1 @ 6821
		69-1500TP <sup>2</sup>	13.0 @ 7000	S2000	2.0L L4 F/I	69-1040TWR <sup>2</sup>	5.6 @ 5220
Civic DX	1.7L L4 F/I	69-1008TS <sup>1</sup>	5.0 @ 5200			69-1040TP <sup>2</sup>	5.6 @ 5220
		69-1008TB <sup>1</sup>	5.0 @ 5200	<b>1998 HONDA</b>			
		57-3513 <sup>1</sup>	4.8 @ 6200	Accord VII	2.2L L4 F/I	69-1500TWR <sup>2</sup>	13.0 @ 7000
Civic DX	1.7L L4 F/I - Manual Trans.	69-1007TS <sup>1</sup>	4.9 @ 6237			69-1500TP <sup>2</sup>	13.0 @ 7000
Civic EX	1.7L L4 F/I	69-1008TS <sup>1</sup>	5.0 @ 5200	Civic EX	1.6L L4 F/I	69-1011TP <sup>1</sup>	5.3 @ 4692
		69-1008TB <sup>1</sup>	5.0 @ 5200			63-1016 <sup>2</sup>	5.6 @ 7200
		57-3513 <sup>1</sup>	4.8 @ 6200	Civic HX	1.6L L4 F/I - Manual Trans.	63-1016 <sup>2</sup>	5.6 @ 7200
Civic EX	1.7L L4 F/I - Manual Trans.	69-1007TS <sup>1</sup>	4.9 @ 6237	Civic V	1.5L L4 F/I - 3/4-Door	69-1011TP <sup>2</sup>	5.3 @ 4692
Civic GX	1.7L L4 F/I	57-3513 <sup>1</sup>	4.8 @ 6200	Prelude	2.2L L4 F/I - US	69-1302TP <sup>1</sup>	7.1 @ 6821
Civic HX	1.7L L4 F/I	57-3513 <sup>1</sup>	4.8 @ 6200	<b>1997 HONDA</b>			
Civic HX	1.7L L4 F/I - Manual Trans.	69-1007TS <sup>1</sup>	4.9 @ 6237	Accord	2.2L L4 F/I	69-1208TS <sup>1</sup>	5.9 @ 5411
Civic LX	1.7L L4 F/I	69-1008TS <sup>1</sup>	5.0 @ 5200	Accord V	2.2L L4 F/I	69-1208TS <sup>2</sup>	5.9 @ 5411
		69-1008TB <sup>1</sup>	5.0 @ 5200	Accord VI	2.2L L4 F/I	69-1208TS <sup>2</sup>	5.9 @ 5411
		57-3513 <sup>1</sup>	4.8 @ 6200	Civic EX	1.6L L4 F/I	69-1011TP <sup>1</sup>	5.3 @ 4692
Civic LX	1.7L L4 F/I - Manual Trans.	69-1007TS <sup>1</sup>	4.9 @ 6237			63-1016 <sup>2</sup>	5.6 @ 7200
Civic V	1.5L L4 F/I - 3/4-Door	69-1011TP <sup>2</sup>	5.3 @ 4692	Civic HX	1.6L L4 F/I - Manual Trans.	63-1016 <sup>2</sup>	5.6 @ 7200
Civic VI	1.6L L4 F/I	69-1008TS <sup>2</sup>	5.0 @ 5200	Civic V	1.5L L4 F/I - 3/4-Door	69-1011TP <sup>2</sup>	5.3 @ 4692
		69-1008TB <sup>2</sup>	5.0 @ 5200	Prelude	2.2L L4 F/I - US	69-1302TP <sup>1</sup>	7.1 @ 6821
		69-1007TS <sup>2</sup>	4.9 @ 6237	<b>1996 HONDA</b>			
Civic VI	1.7L L4 F/I	69-1008TS <sup>2</sup>	5.0 @ 5200	Accord	2.2L L4 F/I	69-1208TS <sup>1</sup>	5.9 @ 5411
		69-1008TB <sup>2</sup>	5.0 @ 5200	Accord V	2.2L L4 F/I	69-1208TS <sup>2</sup>	5.9 @ 5411
		69-1007TS <sup>2</sup>	4.9 @ 6237	Accord VI	2.2L L4 F/I	69-1208TS <sup>2</sup>	5.9 @ 5411
Civic VI	2.0L L4 F/I	69-1009TWR <sup>2</sup>	10.5 @ 7014	Civic EX	1.6L L4 F/I	69-1011TP <sup>1</sup>	5.3 @ 4692
		69-1009TR <sup>2</sup>	10.5 @ 7014			63-1016 <sup>2</sup>	5.6 @ 7200
		69-1009TP <sup>2</sup>	10.5 @ 7014	Civic HX	1.6L L4 F/I - Manual Trans.	63-1016 <sup>2</sup>	5.6 @ 7200
S2000	2.0L L4 F/I	69-1040TWR <sup>1</sup>	5.6 @ 5220	Civic V	1.5L L4 F/I	69-1011TP <sup>2</sup>	5.3 @ 4692
		69-1040TP <sup>1</sup>	5.6 @ 5220	<b>1995 HONDA</b>			
		57-3514 <sup>1</sup>	9.6 @ 6400	Accord	2.2L L4 F/I	69-1208TS <sup>1</sup>	5.9 @ 5411
<b>2000 HONDA</b>				Civic del Sol	1.5L L4 F/I	57-3504 <sup>1</sup>	3.7 @ 6100
Accord	3.0L V6 F/I	69-1203TP <sup>1</sup>	9.5 @ 5924	Civic del Sol	1.6L L4 F/I	57-3504 <sup>1</sup>	3.7 @ 6100
Accord VII	2.2L L4 F/I	69-1500TWR <sup>2</sup>	13.0 @ 7000	Civic DX	1.5L L4 F/I	63-1017 <sup>2</sup>	5.3 @ 6000
		69-1500TP <sup>2</sup>	13.0 @ 7000			57-3504 <sup>1</sup>	3.7 @ 6100
Civic EX	1.6L L4 F/I	69-1011TP <sup>1</sup>	5.3 @ 4692	Civic DX Hatchback	1.5L L4 F/I	63-1017 <sup>2</sup>	5.3 @ 6000
Civic Si	1.6L L4 F/I	69-1010TP <sup>1</sup>	10.6 @ 7100	Civic EX	1.6L L4 F/I	63-1017 <sup>2</sup>	5.3 @ 6000
		57-3512 <sup>1</sup>	5.8 @ 7500			57-3504 <sup>1</sup>	3.7 @ 6100
Civic Type R	2.0L L4 F/I	69-1009TWR <sup>2</sup>	10.5 @ 7014	Civic IV	1.5L L4 F/I - 90BHP	69-1502TS <sup>2</sup>	
		69-1009TR <sup>2</sup>	10.5 @ 7014			69-1502TP <sup>2</sup>	
		69-1009TP <sup>2</sup>	10.5 @ 7014	Civic LX	1.5L L4 F/I	63-1017 <sup>2</sup>	5.3 @ 6000
Civic V	1.5L L4 F/I - 3/4-Door	69-1011TP <sup>2</sup>	5.3 @ 4692	Civic Si	1.6L L4 F/I	63-1017 <sup>2</sup>	5.3 @ 6000
S2000	2.0L L4 F/I	69-1040TWR <sup>1</sup>	5.6 @ 5220				

1) Street legal in all US states. 2) Street legal in most states, but not legal for use in California or other states with similar emission control regulations.

\* Estimated horsepower gains are based on specific or similar vehicle dyno tests. Results will vary. See Page 81 for more information.

Partial Listing - Complete List of Vehicles and Applications at knfilters.com. See page 82 for information on intake tube materials/colors.

# Intake Systems

# HONDA

Vehicle	Engine Type	Intake Kit	Estimated Horsepower*	Vehicle	Engine Type	Intake Kit	Estimated Horsepower*
<b>1995 HONDA</b>				<b>1989 HONDA</b>			
Civic V	1.5L L4 F/I	69-1011TP <sup>2</sup>	5.3 @ 4692	Civic	1.5L L4 F/I	57-3503 <sup>1</sup>	4.4 @ 5416
<b>1994 HONDA</b>				Civic	1.6L L4 F/I	57-3503 <sup>1</sup>	4.4 @ 5416
Accord	2.2L L4 F/I	69-1208TS <sup>1</sup>	5.9 @ 5411	Civic II	1.5L L4 F/I	57-3503 <sup>2</sup>	4.4 @ 5416
Civic CX	1.5L L4 F/I	63-1017 <sup>2</sup>	5.3 @ 6000	Civic III	1.5L L4 F/I	57-3503 <sup>2</sup>	4.4 @ 5416
		57-3504 <sup>1</sup>	3.7 @ 6100	CRX	1.5L L4 F/I	57-3503 <sup>1</sup>	4.4 @ 5416
Civic del Sol	1.5L L4 F/I	57-3504 <sup>1</sup>	3.7 @ 6100	CRX	1.6L L4 F/I	57-3503 <sup>1</sup>	4.4 @ 5416
Civic del Sol	1.6L L4 F/I	57-3504 <sup>1</sup>	3.7 @ 6100	<b>1988 HONDA</b>			
Civic DX	1.5L L4 F/I	63-1017 <sup>2</sup>	5.3 @ 6000	Civic	1.5L L4 F/I	57-3503 <sup>1</sup>	4.4 @ 5416
		57-3504 <sup>1</sup>	3.7 @ 6100	Civic	1.6L L4 F/I	57-3503 <sup>1</sup>	4.4 @ 5416
Civic DX Hatchback	1.5L L4 F/I	63-1017 <sup>2</sup>	5.3 @ 6000	Civic II	1.5L L4 F/I	57-3503 <sup>2</sup>	4.4 @ 5416
Civic EX	1.6L L4 F/I	63-1017 <sup>2</sup>	5.3 @ 6000	Civic III	1.5L L4 F/I	57-3503 <sup>2</sup>	4.4 @ 5416
		57-3504 <sup>1</sup>	3.7 @ 6100	CRX	1.5L L4 F/I	57-3503 <sup>1</sup>	4.4 @ 5416
Civic IV	1.5L L4 F/I - 90BHP	69-1502TS <sup>2</sup>		CRX	1.6L L4 F/I	57-3503 <sup>1</sup>	4.4 @ 5416
		69-1502TP <sup>2</sup>		<b>1987 HONDA</b>			
Civic LX	1.5L L4 F/I	63-1017 <sup>2</sup>	5.3 @ 6000	Civic III	1.5L L4 F/I	57-3503 <sup>2</sup>	4.4 @ 5416
		57-3504 <sup>1</sup>	3.7 @ 6100	<b>2009 HUMMER</b>			
Civic Si	1.6L L4 F/I	63-1017 <sup>2</sup>	5.3 @ 6000	H2	6.2L V8 F/I	77-3037KP <sup>2</sup>	9.8 @ 4558
		57-3504 <sup>1</sup>	3.7 @ 6100			63-3037 <sup>2</sup>	11.4 @ 4524
<b>1993 HONDA</b>				H3	3.7L L5 F/I	77-3065KP <sup>2</sup>	7.2 @ 4533
Civic del Sol	1.5L L4 F/I	57-3504 <sup>1</sup>	3.7 @ 6100			63-3065 <sup>2</sup>	11.0 @ 4754
Civic del Sol	1.6L L4 F/I	57-3504 <sup>1</sup>	3.7 @ 6100	H3T	3.7L L5 F/I	77-3065KP <sup>2</sup>	7.2 @ 4533
Civic DX	1.5L L4 F/I	63-1017 <sup>2</sup>	5.3 @ 6000			63-3065 <sup>2</sup>	11.0 @ 4754
		57-3504 <sup>1</sup>	3.7 @ 6100	<b>2008 HUMMER</b>			
Civic DX Hatchback	1.5L L4 F/I	63-1017 <sup>2</sup>	5.3 @ 6000	H2	6.2L V8 F/I	77-3037KP <sup>2</sup>	9.8 @ 4558
Civic EX	1.6L L4 F/I	63-1017 <sup>2</sup>	5.3 @ 6000			63-3037 <sup>2</sup>	11.4 @ 4524
		57-3504 <sup>1</sup>	3.7 @ 6100	H3	3.7L L5 F/I	77-3065KP <sup>2</sup>	7.2 @ 4533
Civic IV	1.5L L4 F/I - 90BHP	69-1502TS <sup>2</sup>				63-3065 <sup>2</sup>	11.0 @ 4754
		69-1502TP <sup>2</sup>		<b>2007 HUMMER</b>			
Civic LX	1.5L L4 F/I	63-1017 <sup>2</sup>	5.3 @ 6000	H2	6.0L V8 F/I	77-3037KP <sup>1</sup>	9.8 @ 4558
		57-3504 <sup>1</sup>	3.7 @ 6100			57-3037 <sup>1</sup>	11.4 @ 4524
Civic Si	1.6L L4 F/I	63-1017 <sup>2</sup>	5.3 @ 6000	H3	3.7L L5 F/I	77-3065KP <sup>2</sup>	7.2 @ 4533
						63-3065 <sup>2</sup>	11.0 @ 4754
<b>1992 HONDA</b>				<b>2006 HUMMER</b>			
Civic DX	1.5L L4 F/I	63-1017 <sup>2</sup>	5.3 @ 6000	H2	6.0L V8 F/I	77-3037KP <sup>1</sup>	9.8 @ 4558
		57-3504 <sup>1</sup>	3.7 @ 6100			57-3037 <sup>1</sup>	11.4 @ 4524
Civic DX Hatchback	1.5L L4 F/I	63-1017 <sup>2</sup>	5.3 @ 6000	H3	3.5L L5 F/I	77-3044KP <sup>1</sup>	16.2 @ 5849
Civic EX	1.6L L4 F/I	63-1017 <sup>2</sup>	5.3 @ 6000			57-3043 <sup>1</sup>	18.6 @ 6001
		57-3504 <sup>1</sup>	3.7 @ 6100	<b>2005 HUMMER</b>			
Civic IV	1.5L L4 F/I - 90BHP	69-1502TS <sup>2</sup>		H2	6.0L V8 F/I	77-3037KP <sup>1</sup>	9.8 @ 4558
		69-1502TP <sup>2</sup>				57-3037 <sup>1</sup>	11.4 @ 4524
Civic LX	1.5L L4 F/I	63-1017 <sup>2</sup>	5.3 @ 6000	<b>2004 HUMMER</b>			
Civic Si	1.6L L4 F/I	63-1017 <sup>2</sup>	5.3 @ 6000	H2	6.0L V8 F/I	77-3037KP <sup>1</sup>	9.8 @ 4558
						57-3037 <sup>1</sup>	11.4 @ 4524
<b>1991 HONDA</b>				<b>2003 HUMMER</b>			
Civic	1.5L L4 F/I - exc. HF	57-3503 <sup>1</sup>	4.4 @ 5416	H2	6.0L V8 F/I	77-3037KP <sup>1</sup>	9.8 @ 4558
Civic	1.6L L4 F/I	57-3503 <sup>1</sup>	4.4 @ 5416			57-3037 <sup>1</sup>	11.4 @ 4524
Civic II	1.5L L4 F/I	57-3503 <sup>2</sup>	4.4 @ 5416	<b>2011 HYUNDAI</b>			
Civic III	1.5L L4 F/I	57-3503 <sup>2</sup>	4.4 @ 5416	Sonata	2.4L L4 F/I	69-5301TTK <sup>2</sup>	7.8 @ 5147
Civic IV	1.5L L4 F/I - 90BHP	69-1502TS <sup>2</sup>		<b>2010 HYUNDAI</b>			
		69-1502TP <sup>2</sup>		Genesis	2.0L L4 F/I	69-5302TTK <sup>2</sup>	
				<b>2005 HYUNDAI</b>			
CRX	1.5L L4 F/I	57-3503 <sup>1</sup>	4.4 @ 5416	Coupe	2.7L V6 F/I	69-5300TS <sup>2</sup>	10.0 @ 5000
CRX	1.6L L4 F/I	57-3503 <sup>1</sup>	4.4 @ 5416			69-5300TR <sup>2</sup>	10.0 @ 5000
<b>1990 HONDA</b>				Tiburon GT	2.7L V6 F/I	69-5300TR <sup>2</sup>	10.0 @ 5000
Civic	1.5L L4 F/I	57-3503 <sup>1</sup>	4.4 @ 5416				
Civic	1.6L L4 F/I	57-3503 <sup>1</sup>	4.4 @ 5416				
Civic II	1.5L L4 F/I	57-3503 <sup>2</sup>	4.4 @ 5416				
Civic III	1.5L L4 F/I	57-3503 <sup>2</sup>	4.4 @ 5416				
CRX	1.5L L4 F/I	57-3503 <sup>1</sup>	4.4 @ 5416				
CRX	1.6L L4 F/I	57-3503 <sup>1</sup>	4.4 @ 5416				

1) Street legal in all US states. 2) Street legal in most states, but not legal for use in California or other states with similar emission control regulations.

\* Estimated horsepower gains are based on specific or similar vehicle dyno tests. Results will vary. See Page 81 for more information. Partial Listing - Complete List of Vehicles and Applications at knfilters.com. See page 82 for information on intake tube materials/colors.

# HYUNDAI

# Intake Systems

Vehicle	Engine Type	Intake Kit	Estimated Horsepower*	Vehicle	Engine Type	Intake Kit	Estimated Horsepower*
<b>2004 HYUNDAI</b>				<b>2006 ISUZU</b>			
Coupe	2.7L V6 F/I	69-5300TS <sup>2</sup>	10.0 @ 5000	Ascender	4.2L L6 F/I	77-3062KP <sup>1</sup>	9.3 @ 4850
		69-5300TR <sup>2</sup>	10.0 @ 5000			57-3062 <sup>1</sup>	9.5 @ 4725
Tiburon GT	2.7L V6 F/I	69-5300TR <sup>2</sup>	10.0 @ 5000	<b>2011 JEEP</b>			
<b>2003 HYUNDAI</b>				Wrangler	3.8L V6 F/I	77-1553KP <sup>2</sup>	7.9 @ 4807
Coupe	2.7L V6 F/I	69-5300TS <sup>2</sup>	10.0 @ 5000			63-1553 <sup>2</sup>	8.2 @ 4807
		69-5300TR <sup>2</sup>	10.0 @ 5000	<b>2010 JEEP</b>			
Tiburon GT	2.7L V6 F/I	69-5300TR <sup>1</sup>	10.0 @ 5000	Commander	3.7L V6 F/I	77-1545KP <sup>2</sup>	6.9 @ 5184
		69-5300TS <sup>1</sup>	10.0 @ 5000			63-1545 <sup>2</sup>	7.6 @ 5132
<b>2002 HYUNDAI</b>				Commander	5.7L V8 F/I	77-1549KP <sup>2</sup>	12.9 @ 5046
Coupe	2.7L V6 F/I	69-5300TS <sup>2</sup>	10.0 @ 5000			63-1549 <sup>2</sup>	15.3 @ 5046
		69-5300TR <sup>2</sup>	10.0 @ 5000	Compass	2.0L L4 F/I	63-1552 <sup>2</sup>	7.9 @ 4557
<b>2011 INFINITI</b>				Compass	2.4L L4 F/I	63-1552 <sup>2</sup>	7.9 @ 4557
G37	3.7L V6 F/I	69-7078TS <sup>2</sup>	14.2 @ 5600	Grand Cherokee	3.7L V6 F/I	77-1545KP <sup>2</sup>	6.9 @ 5184
<b>2010 INFINITI</b>						63-1545 <sup>2</sup>	7.6 @ 5132
G37	3.7L V6 F/I	69-7078TS <sup>2</sup>	14.2 @ 5600	Grand Cherokee	5.7L V8 F/I	77-1549KP <sup>2</sup>	12.9 @ 5046
QX56	5.6L V8 F/I	77-6012KP <sup>2</sup>	7.3 @ 4914			63-1549 <sup>2</sup>	15.3 @ 5046
		63-6012 <sup>2</sup>	11.2 @ 5073	Grand Cherokee	6.1L V8 F/I	63-1555 <sup>2</sup>	12.0 @ 5000
<b>2009 INFINITI</b>						57-1555 <sup>2</sup>	
G37	3.7L V6 F/I	69-7078TS <sup>2</sup>	14.2 @ 5600	Patriot	2.0L L4 F/I	63-1552 <sup>2</sup>	7.9 @ 4557
QX56	5.6L V8 F/I	77-6012KP <sup>2</sup>	7.3 @ 4914	Patriot	2.4L L4 F/I	63-1552 <sup>2</sup>	7.9 @ 4557
		63-6012 <sup>2</sup>	11.2 @ 5073	Wrangler	3.8L V6 F/I	77-1553KP <sup>2</sup>	7.9 @ 4807
<b>2008 INFINITI</b>						63-1553 <sup>2</sup>	8.2 @ 4807
G35	3.5L V6 F/I	69-7082TS <sup>2</sup>	8.1 @ 5960	<b>2009 JEEP</b>			
G37	3.7L V6 F/I	69-7078TS <sup>2</sup>	14.2 @ 5600	Commander	3.7L V6 F/I	77-1545KP <sup>2</sup>	6.9 @ 5184
QX56	5.6L V8 F/I	77-6012KP <sup>2</sup>	7.3 @ 4914			63-1545 <sup>2</sup>	7.6 @ 5132
		63-6012 <sup>2</sup>	11.2 @ 5073	Commander	4.7L V8 F/I	77-1548KP <sup>2</sup>	7.7 @ 4397
<b>2007 INFINITI</b>						63-1548 <sup>2</sup>	9.5 @ 4397
G35	3.5L V6 F/I - Sedan	69-7082TS <sup>2</sup>	8.1 @ 5960	Commander	5.7L V8 F/I	77-1549KP <sup>2</sup>	12.9 @ 5046
QX56	5.6L V8 F/I	77-6012KP <sup>1</sup>	7.3 @ 4914			63-1549 <sup>2</sup>	15.3 @ 5046
		57-6012 <sup>1</sup>	11.2 @ 5073	Compass	2.0L L4 F/I	63-1552 <sup>2</sup>	7.9 @ 4557
<b>2006 INFINITI</b>				Compass	2.4L L4 F/I	63-1552 <sup>2</sup>	7.9 @ 4557
G35	3.5L V6 F/I - Coupe	69-7080-1TS <sup>1</sup>	9.5 @ 6101	Grand Cherokee	3.7L V6 F/I	77-1545KP <sup>2</sup>	6.9 @ 5184
G35	3.5L V6 F/I - Sedan	69-7081-1TS <sup>2</sup>	5.1 @ 5688			63-1545 <sup>2</sup>	7.6 @ 5132
QX56	5.6L V8 F/I	77-6012KP <sup>1</sup>	7.3 @ 4914	Grand Cherokee	4.7L V8 F/I	77-1548KP <sup>2</sup>	7.7 @ 4397
		57-6012 <sup>1</sup>	11.2 @ 5073			63-1548 <sup>2</sup>	9.5 @ 4397
<b>2005 INFINITI</b>				Grand Cherokee	5.7L V8 F/I	77-1549KP <sup>2</sup>	12.9 @ 5046
G35	3.5L V6 F/I - Coupe	69-7080-1TS <sup>1</sup>	9.5 @ 6101			63-1549 <sup>2</sup>	15.3 @ 5046
G35	3.5L V6 F/I - Sedan	69-7081-1TS <sup>1</sup>	5.1 @ 5688	Grand Cherokee	6.1L V8 F/I	63-1555 <sup>2</sup>	12.0 @ 5000
QX56	5.6L V8 F/I	77-6012KP <sup>1</sup>	7.3 @ 4914			57-1555 <sup>2</sup>	
		57-6012 <sup>1</sup>	11.2 @ 5073	Liberty	3.7L V6 F/I	77-1559KP <sup>2</sup>	10.0 @ 4800
<b>2004 INFINITI</b>						63-1559 <sup>2</sup>	11.3 @ 4800
G35	3.5L V6 F/I - Coupe	69-7080-1TS <sup>1</sup>	9.5 @ 6101			57-1559 <sup>2</sup>	
G35	3.5L V6 F/I - Sedan	69-7081-1TS <sup>1</sup>	5.1 @ 5688	Patriot	2.0L L4 F/I	63-1552 <sup>2</sup>	7.9 @ 4557
QX56	5.6L V8 F/I	77-6012KP <sup>1</sup>	7.3 @ 4914	Patriot	2.4L L4 F/I	63-1552 <sup>2</sup>	7.9 @ 4557
		57-6012 <sup>1</sup>	11.2 @ 5073	Wrangler	3.8L V6 F/I	77-1553KP <sup>2</sup>	7.9 @ 4807
<b>2003 INFINITI</b>						63-1553 <sup>2</sup>	8.2 @ 4807
G35	3.5L V6 F/I - Coupe	69-7080-1TS <sup>1</sup>	9.5 @ 6101	<b>2008 JEEP</b>			
G35	3.5L V6 F/I - Sedan	69-7081-1TS <sup>1</sup>	5.1 @ 5688	Commander	3.7L V6 F/I	77-1545KP <sup>2</sup>	6.9 @ 5184
						63-1545 <sup>2</sup>	7.6 @ 5132
<b>2008 ISUZU</b>				Commander	4.7L V8 F/I	63-1548 <sup>2</sup>	9.5 @ 4397
Ascender	4.2L L6 F/I	77-3062KP <sup>2</sup>	9.3 @ 4850	Commander	5.7L V8 F/I	77-1549KP <sup>2</sup>	12.9 @ 5046
		63-3062 <sup>2</sup>	9.5 @ 4725			63-1549 <sup>2</sup>	15.3 @ 5046
<b>2007 ISUZU</b>				Compass	2.0L L4 F/I	63-1552 <sup>2</sup>	7.9 @ 4557
Ascender	4.2L L6 F/I	63-3062 <sup>2</sup>	9.5 @ 4725	Compass	2.4L L4 F/I	63-1552 <sup>2</sup>	7.9 @ 4557
				Grand Cherokee	3.7L V6 F/I	77-1545KP <sup>2</sup>	6.9 @ 5184
						63-1545 <sup>2</sup>	7.6 @ 5132
				Grand Cherokee	4.7L V8 F/I	63-1548 <sup>2</sup>	9.5 @ 4397

1) Street legal in all US states. 2) Street legal in most states, but not legal for use in California or other states with similar emission control regulations.

\* Estimated horsepower gains are based on specific or similar vehicle dyno tests. Results will vary. See Page 81 for more information.

Partial Listing - Complete List of Vehicles and Applications at knfilters.com. See page 82 for information on intake tube materials/colors.

# Intake Systems

# JEEP

Vehicle	Engine Type	Intake Kit	Estimated Horsepower*	Vehicle	Engine Type	Intake Kit	Estimated Horsepower*
<b>2008 JEEP</b>				<b>2005 JEEP</b>			
Grand Cherokee	5.7L V8 F/I	77-1549KP <sup>2</sup>	12.9 @ 5046	Grand Cherokee	4.7L V8 F/I	57-1548 <sup>1</sup>	9.5 @ 4397
		63-1549 <sup>2</sup>	15.3 @ 5046	Grand Cherokee	5.7L V8 F/I	77-1549KP <sup>1</sup>	12.9 @ 5046
Grand Cherokee	6.1L V8 F/I	63-1555 <sup>2</sup>	12.0 @ 5000			57-1549 <sup>1</sup>	15.3 @ 5046
		57-1555 <sup>2</sup>		Grand Cherokee III	5.7L V8 F/I	57-1549 <sup>2</sup>	15.3 @ 5046
Liberty	3.7L V6 F/I	77-1559KP <sup>2</sup>	10.0 @ 4800	Liberty	3.7L V6 F/I	77-1540KP <sup>1</sup>	5.9 @ 4054
		63-1559 <sup>2</sup>	11.3 @ 4800			57-1540 <sup>1</sup>	6.4 @ 5274
		57-1559 <sup>2</sup>		TJ	4.0L L6 F/I	57-1514-1 <sup>1</sup>	12.1 @ 4623
Patriot	2.0L L4 F/I	63-1552 <sup>2</sup>	7.9 @ 4557	Wrangler	4.0L L6 F/I	57-1514-1 <sup>1</sup>	12.1 @ 4623
Patriot	2.4L L4 F/I	63-1552 <sup>2</sup>	7.9 @ 4557	<b>2004 JEEP</b>			
Wrangler	3.8L V6 F/I	77-1553KP <sup>2</sup>	7.9 @ 4807	Grand Cherokee	4.0L L6 F/I	77-1526KP <sup>1</sup>	6.7 @ 4492
		63-1553 <sup>2</sup>	8.2 @ 4807			57-1526 <sup>1</sup>	7.7 @ 4711
<b>2007 JEEP</b>				Grand Cherokee	4.7L V8 F/I	77-1513KP <sup>1</sup>	9.2 @ 4680
Commander	3.7L V6 F/I	77-1545KP <sup>2</sup>	6.9 @ 5184			57-1513-1 <sup>1</sup>	13.1 @ 4765
		63-1545 <sup>2</sup>	7.6 @ 5132	Grand Cherokee II	4.0L L6 F/I	57-1526 <sup>2</sup>	7.7 @ 4711
Commander	4.7L V8 F/I	77-1548KP <sup>2</sup>	7.7 @ 4397	Liberty	3.7L V6 F/I	77-1540KP <sup>1</sup>	5.9 @ 4054
		63-1548 <sup>2</sup>	9.5 @ 4397			57-1540 <sup>1</sup>	6.4 @ 5274
Commander	5.7L V8 F/I	77-1549KP <sup>1</sup>	12.9 @ 5046	TJ	4.0L L6 F/I	57-1514-1 <sup>1</sup>	12.1 @ 4623
		57-1549 <sup>1</sup>	15.3 @ 5046	Wrangler	4.0L L6 F/I	57-1514-1 <sup>1</sup>	12.1 @ 4623
Compass	2.0L L4 F/I	57-1552 <sup>1</sup>	7.9 @ 4557	<b>2003 JEEP</b>			
Compass	2.4L L4 F/I	57-1552 <sup>1</sup>	7.9 @ 4557	Grand Cherokee	4.0L L6 F/I	77-1526KP <sup>1</sup>	6.7 @ 4492
Grand Cherokee	3.7L V6 F/I	77-1545KP <sup>1</sup>	6.9 @ 5184			57-1526 <sup>1</sup>	7.7 @ 4711
		57-1545 <sup>1</sup>	7.6 @ 5132	Grand Cherokee	4.7L V8 F/I	77-1513KP <sup>1</sup>	9.2 @ 4680
Grand Cherokee	4.7L V8 F/I	77-1548KP <sup>2</sup>	7.7 @ 4397			57-1513-1 <sup>1</sup>	13.1 @ 4765
		63-1548 <sup>2</sup>	9.5 @ 4397	Grand Cherokee II	4.0L L6 F/I	57-1526 <sup>2</sup>	7.7 @ 4711
Grand Cherokee	5.7L V8 F/I	77-1549KP <sup>1</sup>	12.9 @ 5046	Liberty	3.7L V6 F/I	57-1528 <sup>1</sup>	8.5 @ 5047
		57-1549 <sup>1</sup>	15.3 @ 5046	TJ	4.0L L6 F/I	57-1514-1 <sup>1</sup>	12.1 @ 4623
Grand Cherokee	6.1L V8 F/I	63-1555 <sup>2</sup>	12.0 @ 5000	Wrangler	4.0L L6 F/I	57-1514-1 <sup>1</sup>	12.1 @ 4623
		57-1555 <sup>2</sup>		<b>2002 JEEP</b>			
Grand Cherokee III	5.7L V8 F/I	57-1549 <sup>2</sup>	15.3 @ 5046	Grand Cherokee	4.0L L6 F/I	77-1526KP <sup>1</sup>	6.7 @ 4492
Liberty	3.7L V6 F/I	77-1540KP <sup>1</sup>	5.9 @ 4054			57-1526 <sup>1</sup>	7.7 @ 4711
		57-1540 <sup>1</sup>	6.4 @ 5274	Grand Cherokee	4.7L V8 F/I	77-1513KP <sup>1</sup>	9.2 @ 4680
Patriot	2.4L L4 F/I	63-1552 <sup>2</sup>	7.9 @ 4557			57-1513-1 <sup>1</sup>	13.1 @ 4765
Wrangler	3.8L V6 F/I	77-1553KP <sup>1</sup>	7.9 @ 4807	Grand Cherokee II	4.0L L6 F/I	57-1526 <sup>2</sup>	7.7 @ 4711
		57-1553 <sup>1</sup>	8.2 @ 4807	Liberty	3.7L V6 F/I	57-1528 <sup>1</sup>	8.5 @ 5047
<b>2006 JEEP</b>				TJ	4.0L L6 F/I	57-1514-1 <sup>1</sup>	12.1 @ 4623
Commander	3.7L V6 F/I	77-1545KP <sup>2</sup>	6.9 @ 5184	Wrangler	4.0L L6 F/I	57-1514-1 <sup>1</sup>	12.1 @ 4623
		63-1545 <sup>2</sup>	7.6 @ 5132	<b>2001 JEEP</b>			
Commander	4.7L V8 F/I	77-1548KP <sup>1</sup>	7.7 @ 4397	Cherokee	4.0L L6 F/I	57-1518 <sup>1</sup>	7.9 @ 4511
		57-1548 <sup>1</sup>	9.5 @ 4397	Grand Cherokee	4.0L L6 F/I	77-1526KP <sup>1</sup>	6.7 @ 4492
Commander	5.7L V8 F/I	77-1549KP <sup>1</sup>	12.9 @ 5046			57-1526 <sup>1</sup>	7.7 @ 4711
		57-1549 <sup>1</sup>	15.3 @ 5046	Grand Cherokee	4.7L V8 F/I	77-1513KP <sup>1</sup>	9.2 @ 4680
Grand Cherokee	3.7L V6 F/I	77-1545KP <sup>1</sup>	6.9 @ 5184			57-1513-1 <sup>1</sup>	13.1 @ 4765
		57-1545 <sup>1</sup>	7.6 @ 5132	Grand Cherokee II	4.0L L6 F/I	57-1526 <sup>2</sup>	7.7 @ 4711
Grand Cherokee	4.7L V8 F/I	77-1548KP <sup>1</sup>	7.7 @ 4397	TJ	4.0L L6 F/I	57-1514-1 <sup>1</sup>	12.1 @ 4623
		57-1548 <sup>1</sup>	9.5 @ 4397	Wrangler	4.0L L6 F/I	57-1514-1 <sup>1</sup>	12.1 @ 4623
Grand Cherokee	5.7L V8 F/I	77-1549KP <sup>1</sup>	12.9 @ 5046	<b>2000 JEEP</b>			
		57-1549 <sup>1</sup>	15.3 @ 5046	Cherokee	4.0L L6 F/I	57-1518 <sup>1</sup>	7.9 @ 4511
Grand Cherokee	6.1L V8 F/I	63-1555 <sup>2</sup>	12.0 @ 5000	Grand Cherokee	4.0L L6 F/I	77-1526KP <sup>1</sup>	6.7 @ 4492
		57-1555 <sup>2</sup>				57-1526 <sup>1</sup>	7.7 @ 4711
Grand Cherokee III	5.7L V8 F/I	57-1549 <sup>2</sup>	15.3 @ 5046	Grand Cherokee	4.7L V8 F/I	77-1513KP <sup>1</sup>	9.2 @ 4680
Liberty	3.7L V6 F/I	77-1540KP <sup>1</sup>	5.9 @ 4054			57-1513-1 <sup>1</sup>	13.1 @ 4765
		57-1540 <sup>1</sup>	6.4 @ 5274	Grand Cherokee II	4.0L L6 F/I	57-1526 <sup>2</sup>	7.7 @ 4711
TJ	4.0L L6 F/I	57-1514-1 <sup>1</sup>	12.1 @ 4623	TJ	4.0L L6 F/I	57-1514-1 <sup>1</sup>	12.1 @ 4623
Wrangler	4.0L L6 F/I	57-1514-1 <sup>1</sup>	12.1 @ 4623	Wrangler	4.0L L6 F/I	57-1514-1 <sup>1</sup>	12.1 @ 4623
<b>2005 JEEP</b>				<b>1999 JEEP</b>			
Grand Cherokee	3.7L V6 F/I	77-1545KP <sup>1</sup>	6.9 @ 5184	Cherokee	4.0L L6 F/I	57-1518 <sup>1</sup>	7.9 @ 4511
		57-1545 <sup>1</sup>	7.6 @ 5132				
Grand Cherokee	4.7L V8 F/I	77-1548KP <sup>1</sup>	7.7 @ 4397				

1) Street legal in all US states. 2) Street legal in most states, but not legal for use in California or other states with similar emission control regulations.

\* Estimated horsepower gains are based on specific or similar vehicle dyno tests. Results will vary. See Page 81 for more information.

Partial Listing - Complete List of Vehicles and Applications at knfilters.com. See page 82 for information on intake tube materials/colors.

# JEEP

# Intake Systems

Vehicle	Engine Type	Intake Kit	Estimated Horsepower*	Vehicle	Engine Type	Intake Kit	Estimated Horsepower*
<b>1999 JEEP</b>				<b>2008 KIA</b>			
Grand Cherokee	4.0L L6 F/I	77-1526KP <sup>1</sup>	6.7 @ 4492	Spectra	2.0L L4 F/I	69-5305TP <sup>2</sup>	7.2 @ 5800
		57-1526 <sup>1</sup>	7.7 @ 4711	<b>2007 KIA</b>			
Grand Cherokee	4.7L V8 F/I	77-1513KP <sup>1</sup>	9.2 @ 4680	Spectra	2.0L L4 F/I	69-5305TP <sup>2</sup>	7.2 @ 5800
		57-1513-1 <sup>1</sup>	13.1 @ 4765	<b>2006 KIA</b>			
Grand Cherokee II	4.0L L6 F/I	57-1526 <sup>2</sup>	7.7 @ 4711	Spectra	2.0L L4 F/I	69-5305TP <sup>2</sup>	7.2 @ 5800
TJ	4.0L L6 F/I	57-1514-1 <sup>1</sup>	12.1 @ 4623	Spectra5	2.0L L4 F/I	69-5305TP <sup>2</sup>	7.2 @ 5800
Wrangler	4.0L L6 F/I	57-1514-1 <sup>1</sup>	12.1 @ 4623	<b>2005 KIA</b>			
<b>1998 JEEP</b>				<b>2010 LEXUS</b>			
Cherokee	4.0L L6 F/I	57-1518 <sup>1</sup>	7.9 @ 4511	IS250	2.5L V6 F/I	69-8701TP <sup>2</sup>	12.1 @ 5852
Grand Cherokee	4.0L L6 F/I	57-1520 <sup>1</sup>	7.7 @ 4684	<b>2009 LEXUS</b>			
Grand Cherokee	5.2L V8 F/I	57-1506-2 <sup>1</sup>	24.7 @ 4335	GS350	3.5L V6 F/I	69-8702TP <sup>2</sup>	18.1 @ 5751
Grand Cherokee	5.9L V8 F/I	57-1506-2 <sup>1</sup>	24.7 @ 4335	IS250	2.5L V6 F/I	69-8701TP <sup>2</sup>	12.1 @ 5852
TJ	4.0L L6 F/I	57-1514-1 <sup>1</sup>	12.1 @ 4623	<b>2008 LEXUS</b>			
Wrangler	4.0L L6 F/I	57-1514-1 <sup>1</sup>	12.1 @ 4623	GS350	3.5L V6 F/I	69-8702TP <sup>2</sup>	18.1 @ 5751
<b>1997 JEEP</b>				IS F	5.0L V8 F/I	69-8703TS <sup>2</sup>	28.2 @ 5900
Cherokee	4.0L L6 F/I	57-1518 <sup>1</sup>	7.9 @ 4511	IS250	2.5L V6 F/I	69-8701TP <sup>2</sup>	12.1 @ 5852
Grand Cherokee	4.0L L6 F/I	57-1520 <sup>1</sup>	7.7 @ 4684	IS350	3.5L V6 F/I	69-8701TP <sup>2</sup>	12.1 @ 5852
Grand Cherokee	5.2L V8 F/I	57-1506-2 <sup>1</sup>	24.7 @ 4335	<b>2007 LEXUS</b>			
TJ	4.0L L6 F/I	57-1514-1 <sup>1</sup>	12.1 @ 4623	GS350	3.5L V6 F/I	69-8702TP <sup>2</sup>	18.1 @ 5751
Wrangler	4.0L L6 F/I	57-1514-1 <sup>1</sup>	12.1 @ 4623	IS250	2.5L V6 F/I	69-8701TP <sup>2</sup>	12.1 @ 5852
<b>1996 JEEP</b>				IS350	3.5L V6 F/I	69-8701TP <sup>2</sup>	12.1 @ 5852
Cherokee	4.0L L6 F/I	57-1518 <sup>1</sup>	7.9 @ 4511	<b>2006 LEXUS</b>			
Grand Cherokee	4.0L L6 F/I	57-1520 <sup>1</sup>	7.7 @ 4684	IS250	2.5L V6 F/I	69-8701TP <sup>2</sup>	12.1 @ 5852
Grand Cherokee	5.2L V8 F/I	57-1506-2 <sup>1</sup>	24.7 @ 4335	IS350	3.5L V6 F/I	69-8701TP <sup>2</sup>	12.1 @ 5852
<b>1995 JEEP</b>				<b>2005 LEXUS</b>			
Cherokee	4.0L L6 F/I	57-1519 <sup>1</sup>	7.1 @ 4548	IS250	2.5L V6 F/I	69-8701TP <sup>2</sup>	12.1 @ 5852
Grand Cherokee	4.0L L6 F/I	57-1520 <sup>1</sup>	7.7 @ 4684	IS300	3.0L L6 F/I	69-8700TP <sup>1</sup>	9.4 @ 5850
Grand Cherokee	4.0L V6 F/I	57-1520 <sup>1</sup>	7.7 @ 4684			57-9018 <sup>1</sup>	9.5 @ 5726
Grand Cherokee	5.2L V8 F/I	57-1506-2 <sup>1</sup>	24.7 @ 4335	<b>2004 LEXUS</b>			
Wrangler	4.0L L6 F/I - exc. ABS	57-1521 <sup>1</sup>	12.7 @ 4800	IS300	3.0L L6 F/I	69-8700TP <sup>1</sup>	9.4 @ 5850
<b>1994 JEEP</b>						57-9018 <sup>1</sup>	9.5 @ 5726
Cherokee	4.0L L6 F/I	57-1519 <sup>1</sup>	7.1 @ 4548	<b>2003 LEXUS</b>			
Grand Cherokee	4.0L L6 F/I	57-1520 <sup>1</sup>	7.7 @ 4684	IS300	3.0L L6 F/I	69-8700TP <sup>1</sup>	9.4 @ 5850
Grand Cherokee	5.2L V8 F/I	57-1506-2 <sup>1</sup>	24.7 @ 4335			57-9018 <sup>1</sup>	9.5 @ 5726
Wrangler	4.0L L6 F/I - exc. ABS	57-1521 <sup>1</sup>	12.7 @ 4800	<b>2002 LEXUS</b>			
<b>1993 JEEP</b>				IS300	3.0L L6 F/I	69-8700TP <sup>1</sup>	9.4 @ 5850
Cherokee	4.0L L6 F/I	57-1519 <sup>1</sup>	7.1 @ 4548			57-9018 <sup>1</sup>	9.5 @ 5726
Grand Cherokee	4.0L L6 F/I	57-1520 <sup>1</sup>	7.7 @ 4684	<b>2001 LEXUS</b>			
Grand Cherokee	5.2L V8 F/I	57-1506-2 <sup>1</sup>	24.7 @ 4335	IS300	3.0L L6 F/I	69-8700TP <sup>1</sup>	9.4 @ 5850
Wrangler	4.0L L6 F/I - exc. ABS	57-1521 <sup>1</sup>	12.7 @ 4800			57-9018 <sup>1</sup>	9.5 @ 5726
<b>1992 JEEP</b>				<b>2000 LEXUS</b>			
Cherokee	4.0L L6 F/I	57-1519 <sup>1</sup>	7.1 @ 4548	GS400	4.0L V8 F/I	57-9011 <sup>1</sup>	9.3 @ 5978
Wrangler	4.0L L6 F/I - exc. ABS	57-1521 <sup>1</sup>	12.7 @ 4800	<b>1999 LEXUS</b>			
<b>1991 JEEP</b>				GS400	4.0L V8 F/I	57-9011 <sup>1</sup>	9.3 @ 5978
Cherokee	4.0L L6 F/I	57-1519 <sup>1</sup>	7.1 @ 4548	<b>1998 LEXUS</b>			
Wrangler	4.0L L6 F/I - exc. ABS	57-1521 <sup>1</sup>	12.7 @ 4800	GS400	4.0L V8 F/I	57-9011 <sup>1</sup>	9.3 @ 5978
<b>2009 KAWASAKI</b>				<b>2011 LINCOLN</b>			
KFX450R	450	63-1124 <sup>2</sup>	4.7 @ 7100	Navigator	5.4L V8 F/I	63-2575 <sup>2</sup>	11.2 @ 4600
<b>2008 KAWASAKI</b>				<b>2010 LINCOLN</b>			
KFX450R	450	63-1124 <sup>2</sup>	4.7 @ 7100	Navigator	5.4L V8 F/I	63-2575 <sup>2</sup>	11.2 @ 4600
<b>2011 KIA</b>				<b>2009 LEXUS</b>			
Soul	2.0L L4 F/I	69-5306TS <sup>2</sup>	5.1 @ 5300	GS400	4.0L V8 F/I	57-9011 <sup>1</sup>	9.3 @ 5978
<b>2010 KIA</b>				<b>2008 LEXUS</b>			
Soul	2.0L L4 F/I	69-5306TS <sup>2</sup>	5.1 @ 5300	GS400	4.0L V8 F/I	57-9011 <sup>1</sup>	9.3 @ 5978

1) Street legal in all US states. 2) Street legal in most states, but not legal for use in California or other states with similar emission control regulations.

\* Estimated horsepower gains are based on specific or similar vehicle dyno tests. Results will vary. See Page 81 for more information.

Partial Listing - Complete List of Vehicles and Applications at knfilters.com. See page 82 for information on intake tube materials/colors.

# Intake Systems

# LINCOLN

Vehicle	Engine Type	Intake Kit	Estimated Horsepower*	Vehicle	Engine Type	Intake Kit	Estimated Horsepower*
<b>2010 LINCOLN</b>				<b>2008 MAZDA</b>			
Navigator	5.4L V8 F/I	57-2575 <sup>2</sup>		3	2.0L L4 F/I	69-6010TS <sup>2</sup>	5.7 @ 4764
<b>2009 LINCOLN</b>							
Navigator	5.4L V8 F/I	63-2575 <sup>2</sup> 57-2575 <sup>2</sup>	11.2 @ 4600	3	2.3L L4 F/I	69-6010TS <sup>2</sup> 69-6010TR <sup>2</sup>	5.7 @ 4764 5.7 @ 4764
<b>2008 LINCOLN</b>				<b>5 Van</b>			
Mark LT	5.4L V8 F/I	77-2556KP <sup>2</sup> 63-2556 <sup>2</sup>	9.6 @ 3724 15.5 @ 3829	6	2.3L L4 F/I	69-6010TS <sup>2</sup>	5.7 @ 4764
Navigator	5.4L V8 F/I	63-2575 <sup>2</sup> 57-2575 <sup>2</sup>	11.2 @ 4600	<b>B4000</b>	4.0L V6 F/I	77-2561KP <sup>2</sup> 63-1108 <sup>2</sup>	11.2 @ 4950 13.5 @ 5129
<b>2007 LINCOLN</b>				<b>Mazdaspeed3</b>			
Mark LT	5.4L V8 F/I	77-2556KP <sup>1</sup> 57-2556 <sup>1</sup>	9.6 @ 3724 15.5 @ 3829	<b>RX-8</b>	1.3L R2 F/I	69-6030-1TFK <sup>2</sup>	11.2 @ 8660
Navigator	5.4L V8 F/I	63-2575 <sup>2</sup> 57-2575 <sup>2</sup>	11.2 @ 4600	<b>2007 MAZDA</b>			
<b>2006 LINCOLN</b>				<b>3</b>			
Mark LT	5.4L V8 F/I	77-2556KP <sup>1</sup> 57-2556 <sup>1</sup>	9.6 @ 3724 15.5 @ 3829	3	2.0L L4 F/I	69-6010TS <sup>2</sup> 69-6010TR <sup>2</sup>	5.7 @ 4764 5.7 @ 4764
<b>2004 LINCOLN</b>				<b>3</b>			
Navigator	5.4L V8 F/I	57-2551 <sup>1</sup>	15.5 @ 5049	3	2.3L L4 F/I	69-6010TS <sup>2</sup> 69-6010TR <sup>2</sup>	5.7 @ 4764 5.7 @ 4764
<b>2003 LINCOLN</b>				<b>5 Van</b>			
Navigator	5.4L V8 F/I	57-2551 <sup>1</sup>	15.5 @ 5049	5 Van	2.3L L4 F/I	69-6010TS <sup>2</sup> 69-6010TR <sup>2</sup>	5.7 @ 4764 5.7 @ 4764
<b>2002 LINCOLN</b>				<b>6</b>			
Navigator	5.4L V8 F/I	57-2558 <sup>1</sup>	15.1 @ 4649	6	2.3L L4 F/I	69-6027TTK <sup>2</sup>	11.9 @ 5400
<b>2001 LINCOLN</b>				<b>6</b>			
Navigator	5.4L V8 F/I	57-2558 <sup>1</sup>	15.1 @ 4649	<b>B3000</b>	3.0L V6 F/I	69-6026TS <sup>2</sup>	6.6 @ 4700
<b>2000 LINCOLN</b>				<b>B4000</b>			
Navigator	5.4L V8 F/I	57-2558 <sup>1</sup>	15.1 @ 4649	<b>B3000</b>	3.0L V6 F/I	57-2560 <sup>1</sup>	10.0 @ 4921
<b>1999 LINCOLN</b>				<b>B4000</b>			
Navigator	5.4L V8 F/I - SOHC	77-2514KP <sup>1</sup> 57-2541 <sup>1</sup> 57-2514-4 <sup>1</sup>	9.7 @ 4093 13.1 @ 4562 9.8 @ 4198	<b>Mazdaspeed3</b>	2.3L L4 F/I	69-6011TS <sup>2</sup>	25.7 @ 4300
<b>1998 LINCOLN</b>				<b>RX-8</b>			
Navigator	5.4L V8 F/I	77-2514KP <sup>1</sup> 57-2541 <sup>1</sup> 57-2514-4 <sup>1</sup>	9.7 @ 4093 13.1 @ 4562 9.8 @ 4198	1.3L R2 F/I	69-6030-1TFK <sup>2</sup>	11.2 @ 8660	
<b>2011 MAZDA</b>				<b>2006 MAZDA</b>			
3	2.5L L4 F/I	69-6013TTK <sup>2</sup>	6.7 @ 5604	3	2.0L L4 F/I	69-6010TS <sup>2</sup> 69-6010TR <sup>2</sup>	5.7 @ 4764 5.7 @ 4764
Mazdaspeed3	2.3L L4 F/I	69-6012TS <sup>2</sup>	24.2 @ 5000	3	2.3L L4 F/I	69-6010TS <sup>2</sup> 69-6010TR <sup>2</sup>	5.7 @ 4764 5.7 @ 4764
RX-8	1.3L R2 F/I	69-6030-1TFK <sup>2</sup>	11.2 @ 8660	<b>5 Van</b>	2.3L L4 F/I	69-6010TS <sup>2</sup> 69-6010TR <sup>2</sup>	5.7 @ 4764 5.7 @ 4764
<b>2010 MAZDA</b>				<b>6</b>			
3	2.5L L4 F/I	69-6013TTK <sup>2</sup>	6.7 @ 5604	6	2.3L L4 F/I - US	69-6025TS <sup>2</sup>	6.2 @ 5051
Mazdaspeed3	2.3L L4 F/I	69-6012TS <sup>2</sup>	24.2 @ 5000	<b>6</b>	3.0L V6 F/I	69-6026TS <sup>2</sup>	6.6 @ 4700
RX-8	1.3L R2 F/I	69-6030-1TFK <sup>2</sup>	11.2 @ 8660	<b>B3000</b>	3.0L V6 F/I	57-2560 <sup>1</sup>	10.0 @ 4921
<b>2009 MAZDA</b>				<b>B4000</b>			
3	2.0L L4 F/I	69-6010TS <sup>2</sup> 69-6010TR <sup>2</sup>	5.7 @ 4764 5.7 @ 4764	<b>B4000</b>	4.0L V6 F/I	77-2561KP <sup>1</sup> 57-2561 <sup>1</sup>	11.2 @ 4950 13.5 @ 5129
3	2.3L L4 F/I - exc. Turbo	69-6010TS <sup>2</sup> 69-6010TR <sup>2</sup>	5.7 @ 4764 5.7 @ 4764	<b>RX-8</b>	1.3L R2 F/I	69-6030-1TFK <sup>1</sup>	11.2 @ 8660
6	2.5L L4 F/I	69-6028TTK <sup>2</sup>		<b>2005 MAZDA</b>			
<b>B4000</b>	4.0L V6 F/I	77-2561KP <sup>2</sup> 63-1108 <sup>2</sup>	11.2 @ 4950 13.5 @ 5129	3	2.0L L4 F/I	69-6010TS <sup>2</sup> 69-6010TR <sup>2</sup>	5.7 @ 4764 5.7 @ 4764
<b>Mazdaspeed3</b>	2.3L L4 F/I	69-6011TS <sup>2</sup>	25.7 @ 4300	3	2.3L L4 F/I	69-6010TS <sup>1</sup> 69-6010TR <sup>1</sup>	5.7 @ 4764 5.7 @ 4764
<b>RX-8</b>	1.3L R2 F/I	69-6030-1TFK <sup>2</sup>	11.2 @ 8660	<b>2004 MAZDA</b>			
				3	2.0L L4 F/I - Non-US	69-6010TS <sup>2</sup> 69-6010TR <sup>2</sup>	5.7 @ 4764 5.7 @ 4764
				3	2.3L L4 F/I	69-6010TS <sup>1</sup> 69-6010TR <sup>1</sup>	5.7 @ 4764 5.7 @ 4764

1) Street legal in all US states. 2) Street legal in most states, but not legal for use in California or other states with similar emission control regulations.

\* Estimated horsepower gains are based on specific or similar vehicle dyno tests. Results will vary. See Page 81 for more information. Partial Listing - Complete List of Vehicles and Applications at knfilters.com. See page 82 for information on intake tube materials/colors.



# MAZDA

# Intake Systems

Vehicle	Engine Type	Intake Kit	Estimated Horsepower*	Vehicle	Engine Type	Intake Kit	Estimated Horsepower*
<b>2004 MAZDA</b>				<b>2000 MAZDA</b>			
6	2.3L L4 F/I - US	69-6025TS <sup>1</sup>	6.2 @ 5051	Miata	1.8L L4 F/I	69-6000TP <sup>1</sup>	3.6 @ 6499
6	3.0L V6 F/I	69-6026TS <sup>1</sup>	6.6 @ 4700	MX-5 II	1.8L L4 F/I	69-6000TR <sup>2</sup>	3.6 @ 6499
B3000	3.0L V6 F/I	57-2560 <sup>1</sup>	10.0 @ 4921			69-6000TP <sup>2</sup>	3.6 @ 6499
B4000	4.0L V6 F/I	77-2561KP <sup>1</sup>	11.2 @ 4950	<b>1999 MAZDA</b>			
		57-2561 <sup>1</sup>	13.5 @ 5129	B2500	2.5L L4 F/I	57-2540 <sup>1</sup>	6.6 @ 5000
Miata	1.8L L4 F/I	69-6000TR <sup>1</sup>	3.6 @ 6499	B3000	3.0L V6 F/I	57-2533 <sup>1</sup>	5.6 @ 4721
		69-6000TP <sup>1</sup>	3.6 @ 6499	B4000	4.0L V6 F/I	57-2527 <sup>1</sup>	3.3 @ 3969
MX-5 II	1.8L L4 F/I	69-6000TR <sup>2</sup>	3.6 @ 6499	Miata	1.8L L4 F/I	69-6000TR <sup>1</sup>	3.6 @ 6499
		69-6000TP <sup>2</sup>	3.6 @ 6499			69-6000TP <sup>1</sup>	3.6 @ 6499
RX-8	1.3L R2 F/I	69-6030-1TFK <sup>1</sup>	11.2 @ 8660	MX-5 II	1.8L L4 F/I	69-6000TR <sup>2</sup>	3.6 @ 6499
						69-6000TP <sup>2</sup>	3.6 @ 6499
<b>2003 MAZDA</b>				<b>1998 MAZDA</b>			
3	2.0L L4 F/I	69-6010TS <sup>2</sup>	5.7 @ 4764	B2500	2.5L L4 F/I	57-2540 <sup>1</sup>	6.6 @ 5000
		69-6010TR <sup>2</sup>	5.7 @ 4764	B3000	3.0L V6 F/I	57-2533 <sup>1</sup>	5.6 @ 4721
6	2.3L L4 F/I - US	69-6025TS <sup>1</sup>	6.2 @ 5051	B4000	4.0L V6 F/I	57-2527 <sup>1</sup>	3.3 @ 3969
6	3.0L V6 F/I	69-6026TS <sup>1</sup>	6.6 @ 4700	Miata	1.8L L4 F/I	69-6000TR <sup>2</sup>	3.6 @ 6499
B2300	2.3L L4 F/I	77-2552KP <sup>1</sup>	6.1 @ 4498			69-6000TP <sup>2</sup>	3.6 @ 6499
		57-2552 <sup>1</sup>	6.8 @ 4874	MX-5 II	1.8L L4 F/I	69-6000TR <sup>2</sup>	3.6 @ 6499
B3000	3.0L V6 F/I	57-2554 <sup>1</sup>	9.4 @ 4848			69-6000TP <sup>2</sup>	3.6 @ 6499
B4000	4.0L V6 F/I	77-2529KP <sup>1</sup>	5.3 @ 5095			69-6000TR <sup>2</sup>	3.6 @ 6499
		57-2529-1 <sup>1</sup>	6.9 @ 5243			69-6000TP <sup>2</sup>	3.6 @ 6499
Miata	1.8L L4 F/I	69-6000TR <sup>1</sup>	3.6 @ 6499	<b>1997 MAZDA</b>			
		69-6000TP <sup>1</sup>	3.6 @ 6499	B2300	2.3L L4 F/I - Manual Trans.	57-2535 <sup>1</sup>	6.1 @ 5200
MX-5 II	1.8L L4 F/I	69-6000TR <sup>2</sup>	3.6 @ 6499	B4000	4.0L V6 F/I	57-2527 <sup>1</sup>	3.3 @ 3969
		69-6000TP <sup>2</sup>	3.6 @ 6499	MX-6	2.5L V6 F/I	57-2507 <sup>1</sup>	
Protege	2.0L L4 F/I	69-6020TS <sup>1</sup>	5.0 @ 3568	<b>1996 MAZDA</b>			
		69-6020TR <sup>1</sup>	5.0 @ 3568	B2300	2.3L L4 F/I - Manual Trans.	57-2535 <sup>1</sup>	6.1 @ 5200
Protege5	2.0L L4 F/I	69-6020TS <sup>1</sup>	5.0 @ 3568	MX-6	2.5L V6 F/I	57-2507 <sup>1</sup>	
		69-6020TR <sup>1</sup>	5.0 @ 3568	<b>1995 MAZDA</b>			
RX-8	1.3L R2 F/I	69-6030-1TFK <sup>1</sup>	11.2 @ 8660	B2300	2.3L L4 F/I - Manual Trans.	57-2535 <sup>1</sup>	6.1 @ 5200
				MX-6	2.5L V6 F/I	57-2507 <sup>1</sup>	
<b>2002 MAZDA</b>				<b>1994 MAZDA</b>			
B2300	2.3L L4 F/I	77-2552KP <sup>1</sup>	6.1 @ 4498	MX-6	2.5L V6 F/I	57-2507 <sup>1</sup>	
		57-2552 <sup>1</sup>	6.8 @ 4874	<b>1993 MAZDA</b>			
B3000	3.0L V6 F/I	57-2554 <sup>1</sup>	9.4 @ 4848	Miata	1.6L L4 F/I	57-5001 <sup>1</sup>	4.1 @ 5828
B4000	4.0L V6 F/I	77-2529KP <sup>1</sup>	5.3 @ 5095	MX-6	2.5L V6 F/I	57-2507 <sup>1</sup>	
		57-2529-1 <sup>1</sup>	6.9 @ 5243	<b>1992 MAZDA</b>			
Miata	1.8L L4 F/I	69-6000TR <sup>1</sup>	3.6 @ 6499	Miata	1.6L L4 F/I	57-5001 <sup>1</sup>	4.1 @ 5828
		69-6000TP <sup>1</sup>	3.6 @ 6499	<b>1991 MAZDA</b>			
MX-5 II	1.8L L4 F/I	69-6000TR <sup>2</sup>	3.6 @ 6499	Miata	1.6L L4 F/I	57-5001 <sup>1</sup>	4.1 @ 5828
		69-6000TP <sup>2</sup>	3.6 @ 6499	<b>1990 MAZDA</b>			
Protege	2.0L L4 F/I	69-6020TS <sup>1</sup>	5.0 @ 3568	Miata	1.6L L4 F/I	57-5001 <sup>1</sup>	4.1 @ 5828
		69-6020TR <sup>1</sup>	5.0 @ 3568	<b>1989 MAZDA</b>			
Protege5	2.0L L4 F/I	69-6020TS <sup>1</sup>	5.0 @ 3568	RX-7 II	1.3L R2 F/I - exc. Turbo	57-5005 <sup>2</sup>	
		69-6020TR <sup>1</sup>	5.0 @ 3568	<b>1988 MAZDA</b>			
<b>2001 MAZDA</b>				RX-7	1.3L R2 F/I - exc. Turbo	57-5005 <sup>1</sup>	
B2500	2.5L L4 F/I	57-2540 <sup>1</sup>	6.6 @ 5000	RX-7 II	1.3L R2 F/I - exc. Turbo	57-5005 <sup>2</sup>	
B3000	3.0L V6 F/I	57-2533 <sup>1</sup>	5.6 @ 4721	<b>1987 MAZDA</b>			
B4000	4.0L V6 F/I	77-2529KP <sup>1</sup>	5.3 @ 5095	RX-7	1.3L R2 F/I - exc. Turbo	57-5005 <sup>1</sup>	
		57-2529-1 <sup>1</sup>	6.9 @ 5243	RX-7 II	1.3L R2 F/I - exc. Turbo	57-5005 <sup>2</sup>	
Miata	1.8L L4 F/I	69-6000TR <sup>1</sup>	3.6 @ 6499				
		69-6000TP <sup>1</sup>	3.6 @ 6499				
MX-5 II	1.8L L4 F/I	69-6000TR <sup>2</sup>	3.6 @ 6499				
		69-6000TP <sup>2</sup>	3.6 @ 6499				
<b>2000 MAZDA</b>							
B2500	2.5L L4 F/I	57-2540 <sup>1</sup>	6.6 @ 5000				
B3000	3.0L V6 F/I	57-2533 <sup>1</sup>	5.6 @ 4721				
B4000	4.0L V6 F/I	57-2527 <sup>1</sup>	3.3 @ 3969				
Miata	1.8L L4 F/I	69-6000TR <sup>1</sup>	3.6 @ 6499				

1) Street legal in all US states. 2) Street legal in most states, but not legal for use in California or other states with similar emission control regulations.

\* Estimated horsepower gains are based on specific or similar vehicle dyno tests. Results will vary. See Page 81 for more information.  
 Partial Listing - Complete List of Vehicles and Applications at knfilters.com. See page 82 for information on intake tube materials/colors.

# Intake Systems

# MAZDA

Vehicle	Engine Type	Intake Kit	Estimated Horsepower*	Vehicle	Engine Type	Intake Kit	Estimated Horsepower*
<b>1986 MAZDA</b>				<b>2009 MINI</b>			
RX-7	1.3L R2 F/I - exc. Turbo	57-5005 <sup>1</sup>		Cooper S	1.6L L4 F/I - US	69-2004TTK <sup>2</sup>	11.2 @ 4700
RX-7 II	1.3L R2 F/I - exc. Turbo	57-5005 <sup>2</sup>		<b>2008 MINI</b>			
<b>1985 MAZDA</b>				Cooper	1.6L L4 F/I - Non-US, Coupe, Manual Trans.	69-2022TS <sup>2</sup>	
RX-7 II	1.3L R2 F/I - exc. Turbo	57-5005 <sup>2</sup>		Cooper	1.6L L4 F/I - US	69-2005TTK <sup>2</sup>	4.1 @ 5300
<b>2005 MERCURY</b>				Cooper Clubman	1.6L L4 F/I - US	69-2005TTK <sup>2</sup>	4.1 @ 5300
Mountaineer	4.6L V8 F/I	57-2564 <sup>1</sup>	10.4 @ 4921	Cooper S	1.6L L4 F/I - US	69-2004TTK <sup>2</sup>	11.2 @ 4700
<b>2004 MERCURY</b>				One	1.4L L4 F/I - Exc., Convertible	69-2022TS <sup>2</sup>	
Marauder	4.6L V8 F/I	57-2563 <sup>1</sup>	17.3 @ 5675	<b>2007 MINI</b>			
Mountaineer	4.6L V8 F/I	57-2564 <sup>1</sup>	10.4 @ 4921	Cooper	1.6L L4 F/I - Non-US, Coupe, Manual Trans.	69-2022TS <sup>2</sup>	
<b>2003 MERCURY</b>				Cooper	1.6L L4 F/I - US	69-2005TTK <sup>2</sup>	4.1 @ 5300
Marauder	4.6L V8 F/I	57-2563 <sup>1</sup>	17.3 @ 5675	Cooper S	1.6L L4 F/I - exc. Coupe	69-2021TR <sup>2</sup>	4.1 @ 5997
Mountaineer	4.0L V6 F/I	57-2537 <sup>1</sup>	7.3 @ 4890			69-2021TP <sup>2</sup>	4.1 @ 5997
Mountaineer	4.6L V8 F/I	57-2539 <sup>1</sup>	8.6 @ 4486	Cooper S	1.6L L4 F/I - US, exc. Convertible	69-2004TTK <sup>2</sup>	11.2 @ 4700
<b>2002 MERCURY</b>				One	1.4L L4 F/I - Exc., Convertible	69-2022TS <sup>2</sup>	
Mountaineer	4.0L V6 F/I	57-2537 <sup>1</sup>	7.3 @ 4890	<b>2006 MINI</b>			
Mountaineer	4.6L V8 F/I	57-2539 <sup>1</sup>	8.6 @ 4486	Cooper	1.6L L4 F/I	69-2020TR <sup>2</sup>	4.3 @ 5950
<b>2001 MERCURY</b>						69-2020TP <sup>2</sup>	4.3 @ 5950
Cougar	2.5L V6 F/I	57-2534 <sup>1</sup>	8.9 @ 6189	Cooper S	1.6L L4 F/I - Manual Trans.	69-2021TR <sup>2</sup>	4.1 @ 5997
<b>2000 MERCURY</b>						69-2021TP <sup>2</sup>	4.1 @ 5997
Cougar	2.5L V6 F/I	57-2534 <sup>1</sup>	8.9 @ 6189	One	1.6L L4 F/I	69-2020TR <sup>2</sup>	4.3 @ 5950
<b>1997 MERCURY</b>						69-2020TP <sup>2</sup>	4.3 @ 5950
Cougar	3.8L V6 F/I	57-2505-1 <sup>1</sup>	4.7 @ 3418	Works	1.6L L4 F/I	69-2021TR <sup>2</sup>	4.1 @ 5997
Cougar	4.6L V8 F/I	57-2505-1 <sup>1</sup>	4.7 @ 3418			69-2021TP <sup>2</sup>	4.1 @ 5997
Mountaineer	5.0L V8 F/I - w/Round Filter	57-2513-1 <sup>1</sup>		<b>2005 MINI</b>			
<b>1996 MERCURY</b>				Cooper	1.6L L4 F/I	69-2020TR <sup>2</sup>	4.3 @ 5950
Cougar	3.8L V6 F/I	57-2505-1 <sup>1</sup>	4.7 @ 3418			69-2020TP <sup>2</sup>	4.3 @ 5950
Cougar	4.6L V8 F/I	57-2505-1 <sup>1</sup>	4.7 @ 3418	Cooper S	1.6L L4 F/I	69-2021TR <sup>2</sup>	4.1 @ 5997
<b>1995 MERCURY</b>						69-2021TP <sup>2</sup>	4.1 @ 5997
Cougar	4.6L V8 F/I	57-2505-1 <sup>1</sup>	4.7 @ 3418	One	1.6L L4 F/I	69-2020TR <sup>2</sup>	4.3 @ 5950
<b>1994 MERCURY</b>						69-2020TP <sup>2</sup>	4.3 @ 5950
Cougar	3.8L V6 F/I	57-2505-1 <sup>1</sup>	4.7 @ 3418	Works	1.6L L4 F/I	69-2021TR <sup>2</sup>	4.1 @ 5997
Cougar	4.6L V8 F/I	57-2505-1 <sup>1</sup>	4.7 @ 3418			69-2021TP <sup>2</sup>	4.1 @ 5997
<b>1993 MERCURY</b>				<b>2004 MINI</b>			
Cougar	3.8L V6 F/I	57-2505-1 <sup>1</sup>	4.7 @ 3418	Cooper	1.6L L4 F/I	69-2020TR <sup>1</sup>	4.3 @ 5950
Cougar	5.0L V8 F/I	57-2505-1 <sup>1</sup>	4.7 @ 3418			69-2020TP <sup>1</sup>	4.3 @ 5950
<b>2010 MINI</b>				Cooper S	1.6L L4 F/I	69-2021TR <sup>1</sup>	4.1 @ 5997
Cooper	1.6L L4 F/I - Non-US, Manual Trans.	69-2022TS <sup>2</sup>				69-2021TP <sup>1</sup>	4.1 @ 5997
Cooper Clubman	1.6L L4 F/I - Manual Trans.	69-2022TS <sup>2</sup>		One	1.6L L4 F/I	69-2020TR <sup>2</sup>	4.3 @ 5950
Cooper John Cooper Works	1.6L L4 F/I	69-2004TTK <sup>2</sup>	11.2 @ 4700			69-2020TP <sup>2</sup>	4.3 @ 5950
Cooper John Cooper Works Clubman	1.6L L4 F/I	69-2004TTK <sup>2</sup>	11.2 @ 4700	Works	1.6L L4 F/I	69-2021TR <sup>2</sup>	4.1 @ 5997
Cooper S	1.6L L4 F/I - US	69-2004TTK <sup>2</sup>	11.2 @ 4700			69-2021TP <sup>2</sup>	4.1 @ 5997
<b>2009 MINI</b>				<b>2003 MINI</b>			
Cooper	1.6L L4 F/I - Manual Trans.	69-2022TS <sup>2</sup>		Cooper	1.6L L4 F/I	69-2020TR <sup>1</sup>	4.3 @ 5950
Cooper	1.6L L4 F/I - US	69-2005TTK <sup>2</sup>	4.1 @ 5300			69-2020TP <sup>1</sup>	4.3 @ 5950
Cooper Clubman	1.6L L4 F/I - Manual Trans.	69-2022TS <sup>2</sup>		Cooper S	1.6L L4 F/I	69-2021TR <sup>1</sup>	4.1 @ 5997
Cooper Clubman	1.6L L4 F/I - US	69-2005TTK <sup>2</sup>	4.1 @ 5300			69-2021TP <sup>1</sup>	4.1 @ 5997
				One	1.6L L4 F/I	69-2020TR <sup>2</sup>	4.3 @ 5950
						69-2020TP <sup>2</sup>	4.3 @ 5950
				Works	1.6L L4 F/I	69-2021TR <sup>2</sup>	4.1 @ 5997
						69-2021TP <sup>2</sup>	4.1 @ 5997

1) Street legal in all US states. 2) Street legal in most states, but not legal for use in California or other states with similar emission control regulations.

\* Estimated horsepower gains are based on specific or similar vehicle dyno tests. Results will vary. See Page 81 for more information. Partial Listing - Complete List of Vehicles and Applications at knfilters.com. See page 82 for information on intake tube materials/colors.

# MINI

# Intake Systems

Vehicle	Engine Type	Intake Kit	Estimated Horsepower*	Vehicle	Engine Type	Intake Kit	Estimated Horsepower*
<b>2002 MINI</b>				<b>2004 MITSUBISHI</b>			
Cooper	1.6L L4 F/I	69-2020TR <sup>1</sup>	4.3 @ 5950	Eclipse	2.4L L4 F/I	69-6506TS <sup>1</sup>	5.9 @ 4213
		69-2020TP <sup>1</sup>	4.3 @ 5950			69-6506TR <sup>1</sup>	5.9 @ 4213
Cooper S	1.6L L4 F/I	69-2021TR <sup>1</sup>	4.1 @ 5997	Eclipse	3.0L V6 F/I	57-5505 <sup>1</sup>	5.4 @ 5500
		69-2021TP <sup>1</sup>	4.1 @ 5997	Eclipse GT	3.0L V6 F/I	69-6501TP <sup>1</sup>	6.9 @ 5800
One	1.6L L4 F/I	69-2020TR <sup>2</sup>	4.3 @ 5950			69-6501TB <sup>1</sup>	6.9 @ 5800
		69-2020TP <sup>2</sup>	4.3 @ 5950			57-5505 <sup>1</sup>	5.4 @ 5500
<b>2001 MINI</b>				Lancer	2.0L L4 F/I	69-6540TP <sup>1</sup>	4.3 @ 4491
Cooper	1.6L L4 F/I	69-2020TR <sup>2</sup>	4.3 @ 5950			69-6540TB <sup>1</sup>	4.3 @ 4491
		69-2020TP <sup>2</sup>	4.3 @ 5950	Lancer Evolution	2.0L L4 F/I	69-6543TR <sup>1</sup>	12.9 @ 5200
One	1.6L L4 F/I	69-2020TR <sup>2</sup>	4.3 @ 5950			69-6543TP <sup>1</sup>	12.9 @ 5200
		69-2020TP <sup>2</sup>	4.3 @ 5950	<b>2003 MITSUBISHI</b>			
<b>2000 MINI</b>				Eclipse	2.4L L4 F/I	69-6506TS <sup>1</sup>	5.9 @ 4213
Cooper	1.6L L4 F/I	69-2020TR <sup>2</sup>	4.3 @ 5950			69-6506TR <sup>1</sup>	5.9 @ 4213
		69-2020TP <sup>2</sup>	4.3 @ 5950	Eclipse	3.0L V6 F/I	57-5505 <sup>1</sup>	5.4 @ 5500
<b>2010 MITSUBISHI</b>				Eclipse GT	3.0L V6 F/I	69-6501TP <sup>1</sup>	6.9 @ 5800
Lancer Evolution	2.0L L4 F/I	69-6546TWR <sup>2</sup>	21.4 @ 6100			69-6501TB <sup>1</sup>	6.9 @ 5800
Lancer Evolution GSR	2.0L L4 F/I	69-6546TWR <sup>2</sup>	21.4 @ 6100			57-5505 <sup>1</sup>	5.4 @ 5500
<b>2009 MITSUBISHI</b>				Lancer	2.0L L4 F/I	69-6540TP <sup>1</sup>	4.3 @ 4491
Lancer	2.0L L4 F/I	69-6544TS <sup>2</sup>	6.7 @ 5100			69-6540TB <sup>1</sup>	4.3 @ 4491
Lancer	2.4L L4 F/I	69-6544TS <sup>2</sup>	6.7 @ 5100	Lancer Evolution	2.0L L4 F/I	69-6543TR <sup>1</sup>	12.9 @ 5200
Lancer Evolution	2.0L L4 F/I	69-6546TWR <sup>2</sup>	21.4 @ 6100			69-6543TP <sup>1</sup>	12.9 @ 5200
<b>2008 MITSUBISHI</b>				<b>2002 MITSUBISHI</b>			
Lancer	2.0L L4 F/I	69-6544TS <sup>2</sup>	6.7 @ 5100	Eclipse	2.4L L4 F/I	69-6506TS <sup>1</sup>	5.9 @ 4213
Lancer Evolution	2.0L L4 F/I	69-6546TWR <sup>2</sup>	21.4 @ 6100			69-6506TR <sup>1</sup>	5.9 @ 4213
Raider	3.7L V6 F/I	77-1558KP <sup>2</sup>	6.1 @ 4200	Eclipse	3.0L V6 F/I	69-6501TP <sup>1</sup>	6.9 @ 5800
		63-1558 <sup>2</sup>	9.2 @ 4200			69-6501TB <sup>1</sup>	6.9 @ 5800
		57-1558 <sup>2</sup>	9.2 @ 4200	Lancer	2.0L L4 F/I	57-5505 <sup>1</sup>	5.4 @ 5500
<b>2007 MITSUBISHI</b>						69-6540TP <sup>1</sup>	4.3 @ 4491
Raider	3.7L V6 F/I	77-1558KP <sup>2</sup>	6.1 @ 4200			69-6540TB <sup>1</sup>	4.3 @ 4491
		63-1558 <sup>2</sup>	9.2 @ 4200	<b>2001 MITSUBISHI</b>			
		57-1558 <sup>2</sup>	9.2 @ 4200	Eclipse	2.4L L4 F/I	69-6506TS <sup>1</sup>	5.9 @ 4213
Raider	4.7L V8 F/I	77-1546KP <sup>2</sup>	7.3 @ 4475			69-6506TR <sup>1</sup>	5.9 @ 4213
		63-1546 <sup>2</sup>	9.2 @ 4524	Eclipse	3.0L V6 F/I	69-6501TP <sup>1</sup>	6.9 @ 5800
<b>2006 MITSUBISHI</b>						69-6501TB <sup>1</sup>	6.9 @ 5800
Eclipse	3.8L V6 F/I	69-6502TR <sup>2</sup>	13.1 @ 5400			57-5505 <sup>1</sup>	5.4 @ 5500
Lancer	2.0L L4 F/I	69-6540TP <sup>1</sup>	4.3 @ 4491	<b>2000 MITSUBISHI</b>			
		69-6540TB <sup>1</sup>	4.3 @ 4491	Eclipse	2.4L L4 F/I	69-6506TS <sup>1</sup>	5.9 @ 4213
Lancer Evolution	2.0L L4 F/I	69-6545T <sup>2</sup>	14.6 @ 5500			69-6506TR <sup>1</sup>	5.9 @ 4213
Raider	3.7L V6 F/I	77-1547KP <sup>1</sup>	6.0 @ 4943	Eclipse	3.0L V6 F/I	69-6501TP <sup>1</sup>	6.9 @ 5800
		57-1547 <sup>1</sup>	8.7 @ 4749			69-6501TB <sup>1</sup>	6.9 @ 5800
Raider	4.7L V8 F/I	77-1546KP <sup>1</sup>	7.3 @ 4475			57-5505 <sup>1</sup>	5.4 @ 5500
		57-1546 <sup>1</sup>	9.2 @ 4524	<b>1999 MITSUBISHI</b>			
<b>2005 MITSUBISHI</b>				3000GT	3.0L V6 F/I	57-1500-1 <sup>1</sup>	
Eclipse	2.4L L4 F/I	69-6506TS <sup>1</sup>	5.9 @ 4213	Eclipse	2.0L L4 F/I - Turbo	57-5504-1 <sup>1</sup>	7.7 @ 5900
		69-6506TR <sup>1</sup>	5.9 @ 4213	Eclipse II	2.0L L4 F/I - Turbo	57-5504-1 <sup>2</sup>	7.7 @ 5900
Eclipse	3.0L V6 F/I	57-5505 <sup>1</sup>	5.4 @ 5500	<b>1998 MITSUBISHI</b>			
Eclipse GT	3.0L V6 F/I	69-6501TP <sup>1</sup>	6.9 @ 5800	3000GT	3.0L V6 F/I	57-1500-1 <sup>1</sup>	
		69-6501TB <sup>1</sup>	6.9 @ 5800	Eclipse	2.0L L4 F/I - Turbo	57-5504-1 <sup>1</sup>	7.7 @ 5900
		57-5505 <sup>1</sup>	5.4 @ 5500	Eclipse II	2.0L L4 F/I - Turbo	57-5504-1 <sup>2</sup>	7.7 @ 5900
Lancer	2.0L L4 F/I	69-6540TP <sup>1</sup>	4.3 @ 4491	<b>1997 MITSUBISHI</b>			
		69-6540TB <sup>1</sup>	4.3 @ 4491	3000GT	3.0L V6 F/I	57-1500-1 <sup>1</sup>	
Lancer Evolution	2.0L L4 F/I	69-6543TR <sup>2</sup>	12.9 @ 5200	Eclipse	2.0L L4 F/I - Turbo	57-5504-1 <sup>1</sup>	7.7 @ 5900
		69-6543TP <sup>2</sup>	12.9 @ 5200	Eclipse II	2.0L L4 F/I - Turbo	57-5504-1 <sup>2</sup>	7.7 @ 5900
<b>2004 MITSUBISHI</b>				<b>1996 MITSUBISHI</b>			
3000GT	3.0L V6 F/I	57-1500-1 <sup>1</sup>		3000GT	3.0L V6 F/I	57-1500-1 <sup>1</sup>	
Eclipse	2.0L L4 F/I - Turbo	57-5504-1 <sup>1</sup>	7.7 @ 5900	Eclipse	2.0L L4 F/I - Turbo	57-5504-1 <sup>1</sup>	7.7 @ 5900
Eclipse II	2.0L L4 F/I - Turbo	57-5504-1 <sup>2</sup>	7.7 @ 5900				

1) Street legal in all US states. 2) Street legal in most states, but not legal for use in California or other states with similar emission control regulations.

\* Estimated horsepower gains are based on specific or similar vehicle dyno tests. Results will vary. See Page 81 for more information.

Partial Listing - Complete List of Vehicles and Applications at knfilters.com. See page 82 for information on intake tube materials/colors.

# Intake Systems

# MITSUBISHI

Vehicle	Engine Type	Intake Kit	Estimated Horsepower*	Vehicle	Engine Type	Intake Kit	Estimated Horsepower*
<b>1996 MITSUBISHI</b>				<b>2009 NISSAN</b>			
Eclipse II	2.0L L4 F/I - Turbo	57-5504-1 <sup>2</sup>	7.7 @ 5900	370Z	3.7L V6 F/I	69-7078TS <sup>2</sup>	14.2 @ 5600
<b>1995 MITSUBISHI</b>				370Z Nismo	3.7L V6 F/I	69-7078TS <sup>2</sup>	14.2 @ 5600
3000GT	3.0L V6 F/I	57-1500-1 <sup>1</sup>		Altima	2.5L L4 F/I	69-7061TS <sup>2</sup>	6.9 @ 4927
Eclipse	2.0L L4 F/I - Turbo	57-5504-1 <sup>1</sup>	7.7 @ 5900	Altima	3.5L V6 F/I	69-7062TTK <sup>2</sup>	9.4 @ 4300
Eclipse II	2.0L L4 F/I - Turbo	57-5504-1 <sup>2</sup>	7.7 @ 5900	Armada	5.6L V8 F/I	77-6012KP <sup>2</sup>	7.3 @ 4914
<b>1994 MITSUBISHI</b>						63-6012 <sup>2</sup>	11.2 @ 5073
3000GT	3.0L V6 F/I	57-1500-1 <sup>1</sup>		Cube	1.8L L4 F/I	69-7077TTK <sup>2</sup>	7.8 @ 4886
<b>1993 MITSUBISHI</b>				Frontier	4.0L V6 F/I	77-6014-1KP <sup>2</sup>	11.6 @ 5200
3000GT	3.0L V6 F/I	57-1500-1 <sup>1</sup>				63-6014 <sup>2</sup>	14.3 @ 5075
Eclipse	2.0L L4 F/I - exc. Turbo	57-5500 <sup>1</sup>		Maxima	3.5L V6 F/I	69-7002TTK <sup>2</sup>	13.3 @ 5249
Eclipse I	2.0L L4 F/I	57-5500 <sup>2</sup>		Sentra	2.5L L4 F/I	69-7001TTK <sup>2</sup>	7.6 @ 5900
<b>1992 MITSUBISHI</b>				Titan	5.6L V8 F/I	77-6012KP <sup>2</sup>	7.3 @ 4914
3000GT	3.0L V6 F/I	57-1500-1 <sup>1</sup>				63-6012 <sup>2</sup>	11.2 @ 5073
Eclipse	2.0L L4 F/I - exc. Turbo	57-5500 <sup>1</sup>		Xterra	4.0L V6 F/I	77-6014-1KP <sup>2</sup>	11.6 @ 5200
Eclipse I	2.0L L4 F/I	57-5500 <sup>2</sup>				63-6014 <sup>2</sup>	14.3 @ 5075
<b>1991 MITSUBISHI</b>				<b>2008 NISSAN</b>			
3000GT	3.0L V6 F/I	57-1500-1 <sup>1</sup>		350Z	3.5L V6 F/I	69-7071TS <sup>2</sup>	8.2 @ 5800
Eclipse	2.0L L4 F/I - exc. Turbo	57-5500 <sup>1</sup>		Altima	2.5L L4 F/I	69-7061TS <sup>2</sup>	6.9 @ 4927
Eclipse I	2.0L L4 F/I	57-5500 <sup>2</sup>		Altima	3.5L V6 F/I	69-7062TTK <sup>2</sup>	9.4 @ 4300
<b>1990 MITSUBISHI</b>				Armada	5.6L V8 F/I	77-6012KP <sup>2</sup>	7.3 @ 4914
Eclipse	2.0L L4 F/I - exc. Turbo	57-5500 <sup>1</sup>				63-6012 <sup>2</sup>	11.2 @ 5073
<b>2011 NISSAN</b>				Frontier	4.0L V6 F/I	77-6014-1KP <sup>2</sup>	11.6 @ 5200
370Z	3.7L V6 F/I	69-7078TS <sup>2</sup>	14.2 @ 5600			63-6014 <sup>2</sup>	14.3 @ 5075
Altima	2.5L L4 F/I	69-7061TS <sup>2</sup>	6.9 @ 4927	Maxima	3.5L V6 F/I	69-7001TTK <sup>2</sup>	7.6 @ 5900
Altima	3.5L V6 F/I	69-7062TTK <sup>2</sup>	9.4 @ 4300			77-6012KP <sup>2</sup>	7.3 @ 4914
Armada	5.6L V8 F/I	77-6012KP <sup>2</sup>	7.3 @ 4914			63-6012 <sup>2</sup>	11.2 @ 5073
		63-6012 <sup>2</sup>	11.2 @ 5073	Xterra	4.0L V6 F/I	77-6014-1KP <sup>2</sup>	11.6 @ 5200
Frontier	4.0L V6 F/I	77-6014-1KP <sup>2</sup>	11.6 @ 5200			63-6014 <sup>2</sup>	14.3 @ 5075
		63-6014 <sup>2</sup>	14.3 @ 5075	<b>2007 NISSAN</b>			
Maxima	3.5L V6 F/I	69-7002TTK <sup>2</sup>	13.3 @ 5249	350Z	3.5L V6 F/I	69-7071TS <sup>2</sup>	8.2 @ 5800
Pathfinder	4.0L V6 F/I	77-6014-1KP <sup>2</sup>	11.6 @ 5200	Altima	2.5L L4 F/I	69-7061TS <sup>2</sup>	6.9 @ 4927
		63-6014 <sup>2</sup>	14.3 @ 5075	Altima	3.5L V6 F/I	69-7062TTK <sup>2</sup>	9.4 @ 4300
Sentra	2.5L L4 F/I	69-7001TTK <sup>2</sup>	7.6 @ 5900	Armada	5.6L V8 F/I	77-6012KP <sup>1</sup>	7.3 @ 4914
Titan	5.6L V8 F/I	77-6012KP <sup>2</sup>	7.3 @ 4914			57-6012 <sup>1</sup>	11.2 @ 5073
		63-6012 <sup>2</sup>	11.2 @ 5073	Frontier	4.0L V6 F/I	77-6014-1KP <sup>1</sup>	11.6 @ 5200
<b>2010 NISSAN</b>						57-6014 <sup>1</sup>	14.3 @ 5075
370Z	3.7L V6 F/I	69-7078TS <sup>2</sup>	14.2 @ 5600	Maxima	3.5L V6 F/I	63-6015 <sup>2</sup>	7.4 @ 5001
370Z Nismo	3.7L V6 F/I	69-7078TS <sup>2</sup>	14.2 @ 5600			57-6015 <sup>2</sup>	
Altima	2.5L L4 F/I	69-7061TS <sup>2</sup>	6.9 @ 4927	Sentra	2.5L L4 F/I	69-7001TTK <sup>2</sup>	7.6 @ 5900
Altima	3.5L V6 F/I	69-7062TTK <sup>2</sup>	9.4 @ 4300	Titan	5.6L V8 F/I	77-6012KP <sup>1</sup>	7.3 @ 4914
Altima Hybrid	2.5L L4 F/I	69-7061TS <sup>2</sup>	6.9 @ 4927			57-6012 <sup>1</sup>	11.2 @ 5073
Armada	5.6L V8 F/I	77-6012KP <sup>2</sup>	7.3 @ 4914	Xterra	4.0L V6 F/I	77-6014-1KP <sup>1</sup>	11.6 @ 5200
		63-6012 <sup>2</sup>	11.2 @ 5073			57-6014 <sup>1</sup>	14.3 @ 5075
Cube	1.8L L4 F/I	69-7077TTK <sup>2</sup>	7.8 @ 4886	<b>2006 NISSAN</b>			
Frontier	4.0L V6 F/I	77-6014-1KP <sup>2</sup>	11.6 @ 5200	350Z	3.5L V6 F/I	69-7070TP <sup>1</sup>	7.7 @ 6208
		63-6014 <sup>2</sup>	14.3 @ 5075			69-7070TB <sup>1</sup>	7.7 @ 6208
Maxima	3.5L V6 F/I	69-7002TTK <sup>2</sup>	13.3 @ 5249			57-6013 <sup>1</sup>	10.7 @ 5500
Pathfinder	4.0L V6 F/I	77-6014-1KP <sup>2</sup>	11.6 @ 5200			69-7060TS <sup>1</sup>	7.0 @ 5498
		63-6014 <sup>2</sup>	14.3 @ 5075	Altima	2.5L L4 F/I - exc. SULEV & LEV2 Eng.	63-6015 <sup>2</sup>	7.4 @ 5001
Sentra	2.5L L4 F/I	69-7001TTK <sup>2</sup>	7.6 @ 5900			57-6015 <sup>2</sup>	
Titan	5.6L V8 F/I	77-6012KP <sup>2</sup>	7.3 @ 4914	Altima	3.5L V6 F/I	63-6015 <sup>2</sup>	7.4 @ 5001
		63-6012 <sup>2</sup>	11.2 @ 5073	Armada	5.6L V8 F/I	77-6012KP <sup>1</sup>	7.3 @ 4914
Xterra	4.0L V6 F/I	77-6014-1KP <sup>2</sup>	11.6 @ 5200			57-6012 <sup>1</sup>	11.2 @ 5073
		63-6014 <sup>2</sup>	14.3 @ 5075				

1) Street legal in all US states. 2) Street legal in most states, but not legal for use in California or other states with similar emission control regulations.

\* Estimated horsepower gains are based on specific or similar vehicle dyno tests. Results will vary. See Page 81 for more information. Partial Listing - Complete List of Vehicles and Applications at knfilters.com. See page 82 for information on intake tube materials/colors.

# NISSAN

# Intake Systems

Vehicle	Engine Type	Intake Kit	Estimated Horsepower*	Vehicle	Engine Type	Intake Kit	Estimated Horsepower*
<b>2006 NISSAN</b>				<b>2003 NISSAN</b>			
Frontier	4.0L V6 F/I	77-6014-1KP <sup>1</sup>	11.6 @ 5200	Frontier	3.3L V6 F/I - S/C	57-6010 <sup>1</sup>	12.7 @ 4824
		57-6014 <sup>1</sup>	14.3 @ 5075	Pathfinder	3.5L V6 F/I	57-6011 <sup>1</sup>	14.5 @ 5918
Maxima	3.5L V6 F/I	63-6015 <sup>2</sup>	7.4 @ 5001	Sentra	2.5L L4 F/I	69-7000TR <sup>1</sup>	7.7 @ 5253
		57-6015 <sup>2</sup>				69-7000TP <sup>1</sup>	7.7 @ 5253
Pathfinder	4.0L V6 F/I	57-6014 <sup>1</sup>	14.3 @ 5075	Xterra	3.3L V6 F/I - exc. S/C	57-6005 <sup>1</sup>	5.5 @ 4847
Sentra	2.5L L4 F/I	69-7000TR <sup>2</sup>	7.7 @ 5253	Xterra	3.3L V6 F/I - S/C	57-6010 <sup>1</sup>	12.7 @ 4824
		69-7000TP <sup>2</sup>	7.7 @ 5253	<b>2002 NISSAN</b>			
Titan	5.6L V8 F/I	77-6012KP <sup>1</sup>	7.3 @ 4914	Altima	2.5L L4 F/I	69-7060TS <sup>1</sup>	7.0 @ 5498
		57-6012 <sup>1</sup>	11.2 @ 5073	Frontier	3.3L V6 F/I - exc. S/C	57-6005 <sup>1</sup>	5.5 @ 4847
Xterra	4.0L V6 F/I	77-6014-1KP <sup>1</sup>	11.6 @ 5200	Frontier	3.3L V6 F/I - S/C	57-6010 <sup>1</sup>	12.7 @ 4824
		57-6014 <sup>1</sup>	14.3 @ 5075	Pathfinder	3.5L V6 F/I	57-6011 <sup>1</sup>	14.5 @ 5918
<b>2005 NISSAN</b>				Sentra	2.5L L4 F/I	69-7000TR <sup>1</sup>	7.7 @ 5253
350Z	3.5L V6 F/I	69-7070TP <sup>1</sup>	7.7 @ 6208			69-7000TP <sup>1</sup>	7.7 @ 5253
		69-7070TB <sup>1</sup>	7.7 @ 6208	Xterra	3.3L V6 F/I - exc. S/C	57-6005 <sup>1</sup>	5.5 @ 4847
		57-6013 <sup>1</sup>	10.7 @ 5500	Xterra	3.3L V6 F/I - S/C	57-6010 <sup>1</sup>	12.7 @ 4824
Altima	2.5L L4 F/I - exc. SULEV & LEV2 Eng.	69-7060TS <sup>1</sup>	7.0 @ 5498	<b>2001 NISSAN</b>			
Altima	3.5L V6 F/I	63-6015 <sup>2</sup>	7.4 @ 5001	Frontier	3.3L V6 F/I - exc. S/C	57-6005 <sup>1</sup>	5.5 @ 4847
		57-6015 <sup>2</sup>		Frontier	3.3L V6 F/I - S/C	57-6010 <sup>1</sup>	12.7 @ 4824
Armada	5.6L V8 F/I	77-6012KP <sup>1</sup>	7.3 @ 4914	Pathfinder	3.5L V6 F/I	57-6011 <sup>1</sup>	14.5 @ 5918
		57-6012 <sup>1</sup>	11.2 @ 5073	Xterra	3.3L V6 F/I	57-6005 <sup>1</sup>	5.5 @ 4847
Frontier	4.0L V6 F/I	77-6014-1KP <sup>1</sup>	11.6 @ 5200	<b>2000 NISSAN</b>			
		57-6014 <sup>1</sup>	14.3 @ 5075	Frontier	3.3L V6 F/I	57-6005 <sup>1</sup>	5.5 @ 4847
Maxima	3.5L V6 F/I	63-6015 <sup>2</sup>	7.4 @ 5001	Xterra	3.3L V6 F/I	57-6005 <sup>1</sup>	5.5 @ 4847
		57-6015 <sup>2</sup>		<b>1999 NISSAN</b>			
Pathfinder	4.0L V6 F/I	77-6014-1KP <sup>1</sup>	11.6 @ 5200	Frontier	3.3L V6 F/I	57-6005 <sup>1</sup>	5.5 @ 4847
		57-6014 <sup>1</sup>	14.3 @ 5075	<b>1998 NISSAN</b>			
Sentra	2.5L L4 F/I	69-7000TR <sup>2</sup>	7.7 @ 5253	240SX	2.4L L4 F/I	69-7076TS <sup>2</sup>	4.9 @ 4471
		69-7000TP <sup>2</sup>	7.7 @ 5253	<b>1997 NISSAN</b>			
Titan	5.6L V8 F/I	77-6012KP <sup>1</sup>	7.3 @ 4914	240SX	2.4L L4 F/I	69-7076TS <sup>2</sup>	4.9 @ 4471
		57-6012 <sup>1</sup>	11.2 @ 5073	<b>1996 NISSAN</b>			
Xterra	4.0L V6 F/I	77-6014-1KP <sup>1</sup>	11.6 @ 5200	240SX	2.4L L4 F/I	69-7076TS <sup>2</sup>	4.9 @ 4471
		57-6014 <sup>1</sup>	14.3 @ 5075	<b>1995 NISSAN</b>			
<b>2004 NISSAN</b>				240SX	2.4L L4 F/I	69-7076TS <sup>2</sup>	4.9 @ 4471
350Z	3.5L V6 F/I	69-7070TP <sup>1</sup>	7.7 @ 6208	<b>1994 NISSAN</b>			
		69-7070TB <sup>1</sup>	7.7 @ 6208	240SX	2.4L L4 F/I	69-7075TS <sup>2</sup>	10.7 @ 4500
		57-6013 <sup>1</sup>	10.7 @ 5500	Sentra	2.0L L4 F/I	57-6003 <sup>1</sup>	
Altima	2.5L L4 F/I - exc. SULEV & LEV2 Eng.	69-7060TS <sup>1</sup>	7.0 @ 5498	<b>1993 NISSAN</b>			
Altima	3.5L V6 F/I	63-6015 <sup>2</sup>	7.4 @ 5001	240SX	2.4L L4 F/I	69-7075TS <sup>2</sup>	10.7 @ 4500
		57-6015 <sup>2</sup>				57-6000 <sup>1</sup>	
Frontier	3.3L V6 F/I - exc. S/C	57-6005 <sup>1</sup>	5.5 @ 4847	300ZX	3.0L V6 F/I	57-6001 <sup>1</sup>	
Frontier	3.3L V6 F/I - S/C	57-6010 <sup>1</sup>	12.7 @ 4824	Sentra	2.0L L4 F/I	57-6003 <sup>1</sup>	
Maxima	3.5L V6 F/I	63-6015 <sup>2</sup>	7.4 @ 5001	<b>1992 NISSAN</b>			
		57-6015 <sup>2</sup>		240SX	2.4L L4 F/I	69-7075TS <sup>2</sup>	10.7 @ 4500
Pathfinder	3.5L V6 F/I	57-6011 <sup>1</sup>	14.5 @ 5918			57-6000 <sup>1</sup>	
Sentra	2.5L L4 F/I	69-7000TR <sup>1</sup>	7.7 @ 5253	300ZX	3.0L V6 F/I	57-6001 <sup>1</sup>	
		69-7000TP <sup>1</sup>	7.7 @ 5253	Sentra	2.0L L4 F/I	57-6003 <sup>1</sup>	
Titan	5.6L V8 F/I	77-6012KP <sup>1</sup>	7.3 @ 4914	<b>1991 NISSAN</b>			
		57-6012 <sup>1</sup>	11.2 @ 5073	240SX	2.4L L4 F/I	69-7075TS <sup>2</sup>	10.7 @ 4500
Xterra	3.3L V6 F/I - exc. S/C	57-6005 <sup>1</sup>	5.5 @ 4847			57-6000 <sup>1</sup>	
Xterra	3.3L V6 F/I - S/C	57-6010 <sup>1</sup>	12.7 @ 4824	300ZX	3.0L V6 F/I	57-6001 <sup>1</sup>	
				Sentra	2.0L L4 F/I	57-6003 <sup>1</sup>	
<b>2003 NISSAN</b>				<b>1990 NISSAN</b>			
350Z	3.5L V6 F/I	69-7070TP <sup>1</sup>	7.7 @ 6208	240SX	2.4L L4 F/I	57-6000 <sup>1</sup>	
		69-7070TB <sup>1</sup>	7.7 @ 6208				
		57-6013 <sup>1</sup>	10.7 @ 5500				
Altima	2.5L L4 F/I	69-7060TS <sup>1</sup>	7.0 @ 5498				
Frontier	3.3L V6 F/I - exc. S/C	57-6005 <sup>1</sup>	5.5 @ 4847				

1) Street legal in all US states. 2) Street legal in most states, but not legal for use in California or other states with similar emission control regulations.

\* Estimated horsepower gains are based on specific or similar vehicle dyno tests. Results will vary. See Page 81 for more information.

Partial Listing - Complete List of Vehicles and Applications at knfilters.com. See page 82 for information on intake tube materials/colors.

# Intake Systems

# NISSAN

Vehicle	Engine Type	Intake Kit	Estimated Horsepower*	Vehicle	Engine Type	Intake Kit	Estimated Horsepower*
<b>1990 NISSAN</b>				<b>2005 PEUGEOT</b>			
300ZX	3.0L V6 F/I - US	57-6001 <sup>1</sup>		206	2.0L L4 F/I	69-7505TR <sup>2</sup>	
<b>1989 NISSAN</b>						69-7505TP <sup>2</sup>	
240SX	2.4L L4 F/I	57-6000 <sup>1</sup>		206 RC	2.0L L4 F/I	69-7503TS <sup>2</sup>	
300ZX	3.0L V6 F/I	57-6002 <sup>1</sup>				69-7503TB <sup>2</sup>	
<b>1988 NISSAN</b>				<b>2004 PEUGEOT</b>			
300ZX	3.0L V6 F/I	57-6002 <sup>1</sup>		206	1.6L L4 F/I	69-7501TS <sup>2</sup>	
<b>1987 NISSAN</b>						69-7501TB <sup>2</sup>	
300ZX	3.0L V6 F/I	57-6002 <sup>1</sup>		206	2.0L L4 F/I	69-7505TS <sup>2</sup>	
<b>1986 NISSAN</b>						69-7505TR <sup>2</sup>	
300ZX	3.0L V6 F/I	57-6002 <sup>1</sup>		206 RC	2.0L L4 F/I	69-7505TP <sup>2</sup>	
<b>1985 NISSAN</b>						69-7503TS <sup>2</sup>	
300ZX	3.0L V6 F/I	57-6002 <sup>1</sup>				69-7503TB <sup>2</sup>	
<b>1984 NISSAN</b>				<b>2003 PEUGEOT</b>			
300ZX	3.0L V6 F/I	57-6002 <sup>1</sup>		106 II	1.6L L4 F/I - 16v	69-7502TS <sup>2</sup>	
<b>2004 OLDSMOBILE</b>						69-7502TP <sup>2</sup>	
Bravada	4.2L L6 F/I	77-3036KP <sup>1</sup>	10.9 @ 5474			69-7502TB <sup>2</sup>	
		57-3036 <sup>1</sup>	9.3 @ 5623	206	1.6L L4 F/I	69-7501TS <sup>2</sup>	
<b>2003 OLDSMOBILE</b>						69-7501TB <sup>2</sup>	
Bravada	4.2L L6 F/I	77-3036KP <sup>1</sup>	10.9 @ 5474	206	2.0L L4 F/I	69-7505TS <sup>2</sup>	
		57-3036 <sup>1</sup>	9.3 @ 5623			69-7505TR <sup>2</sup>	
<b>2002 OLDSMOBILE</b>						69-7505TP <sup>2</sup>	
Bravada	4.2L L6 F/I	77-3036KP <sup>1</sup>	10.9 @ 5474	206 RC	2.0L L4 F/I	69-7503TS <sup>2</sup>	
		57-3036 <sup>1</sup>	9.3 @ 5623			69-7503TB <sup>2</sup>	
<b>2009 OPEL</b>				<b>2002 PEUGEOT</b>			
GT	2.0L L4 F/I	69-8433TTK <sup>2</sup>	11.0 @ 4900	106 II	1.6L L4 F/I - 16v	69-7502TS <sup>2</sup>	
<b>2008 OPEL</b>						69-7502TP <sup>2</sup>	
GT	2.0L L4 F/I	69-8433TTK <sup>2</sup>	11.0 @ 4900			69-7502TB <sup>2</sup>	
<b>2007 OPEL</b>				206	1.6L L4 F/I	69-7501TS <sup>2</sup>	
GT	2.0L L4 F/I	69-8433TTK <sup>2</sup>	11.0 @ 4900			69-7501TB <sup>2</sup>	
<b>2005 OPEL</b>				206	2.0L L4 F/I	69-7505TS <sup>2</sup>	
Astra G	1.8L L4 F/I - 125BHP	69-4900TS <sup>2</sup>				69-7505TR <sup>2</sup>	
		69-4900TB <sup>2</sup>				69-7505TP <sup>2</sup>	
<b>2004 OPEL</b>				<b>2001 PEUGEOT</b>			
Astra G	1.8L L4 F/I - 125BHP	69-4900TS <sup>2</sup>		106 II	1.6L L4 F/I - 16v	69-7502TS <sup>2</sup>	
		69-4900TB <sup>2</sup>				69-7502TP <sup>2</sup>	
<b>2003 OPEL</b>						69-7502TB <sup>2</sup>	
Astra G	1.8L L4 F/I - 125BHP	69-4900TS <sup>2</sup>		206	1.6L L4 F/I	69-7501TS <sup>2</sup>	
		69-4900TB <sup>2</sup>				69-7501TB <sup>2</sup>	
<b>2002 OPEL</b>						69-7505TS <sup>2</sup>	
Astra G	1.8L L4 F/I - 125BHP	69-4900TS <sup>2</sup>		206	2.0L L4 F/I	69-7505TR <sup>2</sup>	
		69-4900TB <sup>2</sup>				69-7505TP <sup>2</sup>	
<b>2001 OPEL</b>				<b>2000 PEUGEOT</b>			
Astra G	1.8L L4 F/I - 125BHP	69-4900TS <sup>2</sup>		106 II	1.6L L4 F/I - 16v	69-7502TS <sup>2</sup>	
		69-4900TB <sup>2</sup>				69-7502TP <sup>2</sup>	
<b>2000 OPEL</b>						69-7502TB <sup>2</sup>	
Astra G	1.8L L4 F/I - 125BHP	69-4900TS <sup>2</sup>		206	1.6L L4 F/I - 16v	69-7501TS <sup>2</sup>	
		69-4900TB <sup>2</sup>				69-7501TB <sup>2</sup>	
<b>2005 PEUGEOT</b>						69-7505TS <sup>2</sup>	
206	1.6L L4 F/I - to 9/05	69-7501TS <sup>2</sup>		206	2.0L L4 F/I	69-7505TR <sup>2</sup>	
		69-7501TB <sup>2</sup>				69-7505TP <sup>2</sup>	
206	2.0L L4 F/I	69-7505TS <sup>2</sup>		<b>1999 PEUGEOT</b>			
				106 II	1.6L L4 F/I - 16v	69-7502TS <sup>2</sup>	
						69-7502TP <sup>2</sup>	
						69-7502TB <sup>2</sup>	
				206	2.0L L4 F/I	69-7505TS <sup>2</sup>	
						69-7505TR <sup>2</sup>	
						69-7505TP <sup>2</sup>	

1) Street legal in all US states. 2) Street legal in most states, but not legal for use in California or other states with similar emission control regulations.

\* Estimated horsepower gains are based on specific or similar vehicle dyno tests. Results will vary. See Page 81 for more information.  
 Partial Listing - Complete List of Vehicles and Applications at [knfilters.com](http://knfilters.com). See page 82 for information on intake tube materials/colors.



# PEUGEOT

# Intake Systems

Vehicle	Engine Type	Intake Kit	Estimated Horsepower*	Vehicle	Engine Type	Intake Kit	Estimated Horsepower*
<b>1999 PEUGEOT</b>				<b>2006 PONTIAC</b>			
206	2.0L L4 F/I	69-7505TP <sup>2</sup>		G6	3.5L V6 F/I	69-7202-1TTK <sup>2</sup>	5.2 @ 5196
<b>1998 PEUGEOT</b>				Grand Prix	5.3L V8 F/I	63-3059 <sup>2</sup>	13.5 @ 5222
106 II	1.6L L4 F/I - 16v	69-7502TS <sup>2</sup> 69-7502TP <sup>2</sup> 69-7502TB <sup>2</sup>		GTO	6.0L V8 F/I	63-3053 <sup>2</sup>	14.0 @ 5700
<b>1997 PEUGEOT</b>				Solstice	2.4L L4 F/I	69-8432TS <sup>2</sup>	5.4 @ 4700
106 II	1.6L L4 F/I - 16v	69-7502TS <sup>2</sup> 69-7502TP <sup>2</sup> 69-7502TB <sup>2</sup>		Vibe GT	1.8L L4 F/I	69-8601TR <sup>2</sup> 69-8601TP <sup>2</sup>	11.9 @ 7700
<b>1996 PEUGEOT</b>				<b>2005 PONTIAC</b>			
106 II	1.6L L4 F/I - 16v	69-7502TS <sup>2</sup> 69-7502TP <sup>2</sup> 69-7502TB <sup>2</sup>		G6	3.5L V6 F/I	69-7202-1TTK <sup>2</sup>	5.2 @ 5196
<b>1999 PLYMOUTH</b>				Grand Prix	3.8L V6 F/I	57-3049 <sup>1</sup>	16.8 @ 5248
Neon	2.0L L4 F/I - SOHC	57-1512 <sup>1</sup>	6.0 @ 5810	GTO	6.0L V8 F/I	69-7201TP <sup>1</sup> 57-3053 <sup>1</sup>	10.3 @ 5100 14.0 @ 5700
<b>1998 PLYMOUTH</b>				<b>2004 PONTIAC</b>			
Neon	2.0L L4 F/I - SOHC	57-1512 <sup>1</sup>	6.0 @ 5810	Grand Prix	3.8L V6 F/I	57-3049 <sup>1</sup>	16.8 @ 5248
<b>1997 PLYMOUTH</b>				GTO	5.7L V8 F/I	69-7200TP <sup>1</sup> 57-3044 <sup>1</sup>	15.4 @ 5100 18.6 @ 5818
Neon	2.0L L4 F/I - SOHC	57-1512 <sup>1</sup>	6.0 @ 5810	Sunfire	2.2L L4 F/I	69-4510TS <sup>2</sup>	5.4 @ 5223
<b>1996 PLYMOUTH</b>				Sunfire Ecotec	2.2L L4 F/I	69-4510TS <sup>2</sup>	5.4 @ 5223
Neon	2.0L L4 F/I - SOHC	57-1512 <sup>1</sup>	6.0 @ 5810	Vibe	1.8L L4 F/I	69-8600TR <sup>1</sup> 69-8600TP <sup>1</sup>	8.7 @ 6250 8.7 @ 6250
<b>1995 PLYMOUTH</b>				Vibe GT	1.8L L4 F/I	69-8601TR <sup>1</sup> 69-8601TP <sup>1</sup>	11.9 @ 7700 11.9 @ 7700
Neon	2.0L L4 F/I - SOHC	57-1512 <sup>1</sup>	6.0 @ 5810	<b>2003 PONTIAC</b>			
<b>1992 PLYMOUTH</b>				Grand Prix	3.8L V6 F/I	57-3045 <sup>1</sup>	13.3 @ 5224
Laser	2.0L L4 F/I - exc. Turbo	57-5500 <sup>1</sup>		Sunfire Ecotec	2.2L L4 F/I	69-4510TS <sup>2</sup>	5.4 @ 5223
<b>1991 PLYMOUTH</b>				Vibe	1.8L L4 F/I	69-8600TR <sup>1</sup> 69-8600TP <sup>1</sup>	8.7 @ 6250 8.7 @ 6250
Laser	2.0L L4 F/I - exc. Turbo	57-5500 <sup>1</sup>		Vibe GT	1.8L L4 F/I	69-8601TR <sup>1</sup> 69-8601TP <sup>1</sup>	11.9 @ 7700 11.9 @ 7700
<b>1990 PLYMOUTH</b>				<b>2002 PONTIAC</b>			
Laser	2.0L L4 F/I - exc. Turbo	57-5500 <sup>1</sup>		Firebird	3.8L V6 F/I	57-3041 <sup>1</sup>	6.8 @ 5066
<b>2010 POLARIS</b>				Firebird	5.7L V8 F/I	57-3022-2 <sup>1</sup>	14.7 @ 5300
Ranger RZR	800	63-1120 <sup>2</sup>		Grand Prix	3.8L V6 F/I	57-3045 <sup>1</sup>	13.3 @ 5224
<b>2009 POLARIS</b>				Sunfire Ecotec	2.2L L4 F/I	69-4510TS <sup>2</sup>	5.4 @ 5223
Ranger RZR	800	63-1120 <sup>2</sup>		<b>2001 PONTIAC</b>			
Ranger RZR S	800	63-1120 <sup>2</sup>		Firebird	3.8L V6 F/I	57-3041 <sup>1</sup>	6.8 @ 5066
<b>2008 POLARIS</b>				Firebird	5.7L V8 F/I	57-3022-2 <sup>1</sup>	14.7 @ 5300
Ranger RZR	800	63-1120 <sup>2</sup>		Grand Prix	3.8L V6 F/I	57-3045 <sup>1</sup>	13.3 @ 5224
<b>2009 PONTIAC</b>				<b>2000 PONTIAC</b>			
G6	3.5L V6 F/I	69-7202-1TTK <sup>2</sup>	5.2 @ 5196	Firebird	3.8L V6 F/I	57-3041 <sup>1</sup>	6.8 @ 5066
G8	3.6L V6 F/I	63-3072 <sup>2</sup>	10.7 @ 6200	Firebird	5.7L V8 F/I	57-3022-2 <sup>1</sup>	14.7 @ 5300
G8	6.0L V8 F/I	63-3071 <sup>2</sup>	11.9 @ 4700	Grand Prix	3.8L V6 F/I	57-3045 <sup>1</sup>	13.3 @ 5224
Solstice	2.4L L4 F/I	69-8432TS <sup>2</sup>	5.4 @ 4700	<b>1999 PONTIAC</b>			
<b>2008 PONTIAC</b>				Firebird	3.8L V6 F/I	57-3041 <sup>1</sup>	6.8 @ 5066
G6	3.5L V6 F/I	69-7202-1TTK <sup>2</sup>	5.2 @ 5196	Firebird	5.7L V8 F/I	57-3022-2 <sup>1</sup>	14.7 @ 5300
G8	3.6L V6 F/I	63-3072 <sup>2</sup>	10.7 @ 6200	Grand Prix	3.8L V6 F/I	57-3045 <sup>1</sup>	13.3 @ 5224
G8	6.0L V8 F/I	63-3071 <sup>2</sup>	11.9 @ 4700	<b>1998 PONTIAC</b>			
Grand Prix	5.3L V8 F/I	63-3059 <sup>2</sup>	13.5 @ 5222	Firebird	5.7L V8 F/I	57-3022-2 <sup>1</sup>	14.7 @ 5300
Solstice	2.0L L4 F/I	69-8433TTK <sup>2</sup>	11.0 @ 4900	<b>1997 PONTIAC</b>			
Solstice	2.4L L4 F/I	69-8432TS <sup>2</sup>	5.4 @ 4700	Firebird	5.7L V8 F/I - w/o ram air or traction control	57-3010-1 <sup>1</sup>	18.3 @ 5331
<b>2007 PONTIAC</b>				<b>1996 PONTIAC</b>			
G6	3.5L V6 F/I	69-7202-1TTK <sup>2</sup>	5.2 @ 5196	Firebird	5.7L V8 F/I - w/o ram air or traction control	57-3010-1 <sup>1</sup>	18.3 @ 5331
Grand Prix	5.3L V8 F/I	63-3059 <sup>2</sup>	13.5 @ 5222				
Solstice	2.4L L4 F/I	69-8432TS <sup>2</sup>	5.4 @ 4700				

1) Street legal in all US states. 2) Street legal in most states, but not legal for use in California or other states with similar emission control regulations.

\* Estimated horsepower gains are based on specific or similar vehicle dyno tests. Results will vary. See Page 81 for more information.  
Partial Listing - Complete List of Vehicles and Applications at knfilters.com. See page 82 for information on intake tube materials/colors.

# Intake Systems

# PONTIAC

Vehicle	Engine Type	Intake Kit	Estimated Horsepower*	Vehicle	Engine Type	Intake Kit	Estimated Horsepower*
<b>1995 PONTIAC</b>				<b>2005 SATURN</b>			
Firebird	3.4L V6 F/I - w/o ram air or traction control	57-3010-1 <sup>1</sup>	18.3 @ 5331	Vue	3.5L V6 F/I	77-3000KP <sup>1</sup>	11.8 @ 5420
Firebird	5.7L V8 F/I - w/o ram air or traction control	57-3010-1 <sup>1</sup>	18.3 @ 5331	<b>2004 SATURN</b>			
<b>1994 PONTIAC</b>				Ion	2.0L L4 F/I	69-8431TP <sup>1</sup>	14.4 @ 6000
Firebird	3.4L V6 F/I - w/o ram air or traction control	57-3010-1 <sup>1</sup>	18.3 @ 5331	Vue	3.5L V6 F/I	77-3000KP <sup>1</sup>	11.8 @ 5420
Firebird	5.7L V8 F/I - w/o ram air or traction control	57-3010-1 <sup>1</sup>	18.3 @ 5331	<b>1996 SATURN</b>			
<b>1993 PONTIAC</b>				SC2	1.9L L4 F/I - exc. TLEV models	57-3012 <sup>1</sup>	
Firebird	3.4L V6 F/I - w/o ram air or traction control	57-3010-1 <sup>1</sup>	18.3 @ 5331	SL2	1.9L L4 F/I - exc. TLEV models	57-3012 <sup>1</sup>	
Firebird	5.7L V8 F/I - w/o ram air or traction control	57-3010-1 <sup>1</sup>	18.3 @ 5331	<b>1995 SATURN</b>			
<b>2007 PORSCHE</b>				SC2	1.9L L4 F/I	57-3012 <sup>1</sup>	
911 GT3	3.6L H6 F/I	63-7001 <sup>2</sup> 57-7001 <sup>2</sup>	24.7 @ 6726	SL2	1.9L L4 F/I	57-3012 <sup>1</sup>	
<b>2005 PORSCHE</b>				<b>1994 SATURN</b>			
911	3.6L H6 F/I - exc. Turbo	57-7000 <sup>1</sup>	23.8 @ 5500	SC2	1.9L L4 F/I	57-3012 <sup>1</sup>	
<b>2004 PORSCHE</b>				SL2	1.9L L4 F/I	57-3012 <sup>1</sup>	
911	3.6L H6 F/I - exc. Turbo	57-7000 <sup>1</sup>	23.8 @ 5500	<b>1993 SATURN</b>			
<b>2003 PORSCHE</b>				SC2	1.9L L4 F/I	57-3012 <sup>1</sup>	
911 Carrera	3.6L H6 F/I	57-7000 <sup>1</sup>	23.8 @ 5500	SL2	1.9L L4 F/I	57-3012 <sup>1</sup>	
<b>2002 PORSCHE</b>				<b>1992 SATURN</b>			
911	3.6L H6 F/I	57-7000 <sup>1</sup>	23.8 @ 5500	SC	1.9L L4 F/I	57-3012 <sup>1</sup>	
911 Carrera	3.6L H6 F/I	57-7000 <sup>1</sup>	23.8 @ 5500	SL2	1.9L L4 F/I	57-3012 <sup>1</sup>	
<b>2001 PORSCHE</b>				<b>2011 SCION</b>			
911	3.4L H6 F/I	57-7000 <sup>1</sup>	23.8 @ 5500	xB	2.4L L4 F/I	69-8613TS <sup>2</sup>	9.1 @ 5026
911	3.6L H6 F/I - US	57-7000 <sup>1</sup>	23.8 @ 5500	<b>2010 SCION</b>			
<b>2000 PORSCHE</b>				tC	2.4L L4 F/I	69-8614TS <sup>2</sup>	8.1 @ 5467
911	3.4L H6 F/I	57-7000 <sup>1</sup>	23.8 @ 5500	xB	2.4L L4 F/I	69-8613TS <sup>2</sup>	9.1 @ 5026
<b>1999 PORSCHE</b>				xD	1.8L L4 F/I	69-8615TS <sup>2</sup>	5.5 @ 5300
911	3.4L H6 F/I	57-7000 <sup>1</sup>	23.8 @ 5500	<b>2009 SCION</b>			
<b>2001 RENAULT</b>				tC	2.4L L4 F/I	69-8614TS <sup>2</sup>	8.1 @ 5467
Clio II	2.0L L4 F/I - w/Round Filter	69-7800TS <sup>2</sup> 69-7800TB <sup>2</sup>		xB	2.4L L4 F/I	69-8613TS <sup>2</sup>	9.1 @ 5026
<b>2000 RENAULT</b>				xD	1.8L L4 F/I	69-8615TS <sup>2</sup>	5.5 @ 5300
Clio II	2.0L L4 F/I	69-7800TS <sup>2</sup> 69-7800TB <sup>2</sup>		<b>2008 SCION</b>			
<b>2009 SATURN</b>				tC	2.4L L4 F/I	69-8614TS <sup>2</sup>	8.1 @ 5467
Sky	2.4L L4 F/I	69-8432TS <sup>2</sup>	5.4 @ 4700	xA	1.5L L4 F/I	69-8606TP <sup>2</sup>	4.4 @ 4925
<b>2008 SATURN</b>						69-8606TB <sup>2</sup>	4.4 @ 4925
Sky	2.0L L4 F/I	69-8433TTK <sup>2</sup>	11.0 @ 4900	xB	1.5L L4 F/I	69-8605TS <sup>2</sup>	8.0 @ 5450
Sky	2.4L L4 F/I	69-8432TS <sup>2</sup>	5.4 @ 4700	<b>2007 SCION</b>			
<b>2007 SATURN</b>				tC	2.4L L4 F/I	69-8614TS <sup>2</sup>	8.1 @ 5467
Sky	2.4L L4 F/I	69-8432TS <sup>2</sup>	5.4 @ 4700	xA	1.5L L4 F/I	69-8606TP <sup>2</sup>	4.4 @ 4925
Vue	3.5L V6 F/I	77-3000KP <sup>1</sup>	11.8 @ 5420			69-8606TB <sup>2</sup>	4.4 @ 4925
<b>2006 SATURN</b>				xB	1.5L L4 F/I	69-8605TS <sup>2</sup>	8.0 @ 5450
Ion	2.0L L4 F/I	69-8431TP <sup>2</sup>	14.4 @ 6000	<b>2006 SCION</b>			
Vue	3.5L V6 F/I	77-3000KP <sup>1</sup>	11.8 @ 5420	tC	2.4L L4 F/I	69-8608TFK <sup>1</sup>	7.6 @ 5000
<b>2005 SATURN</b>						69-8607TS <sup>2</sup>	6.0 @ 5412
Ion	2.0L L4 F/I	69-8431TP <sup>1</sup>	14.4 @ 6000			69-8607TB <sup>2</sup>	6.0 @ 5412
				xA	1.5L L4 F/I	69-8606TP <sup>2</sup>	4.4 @ 4925
						69-8606TB <sup>2</sup>	4.4 @ 4925
				xB	1.5L L4 F/I	69-8605TS <sup>2</sup>	8.0 @ 5450
				<b>2005 SCION</b>			
				tC	2.4L L4 F/I	69-8608TFK <sup>1</sup>	7.6 @ 5000
						69-8607TS <sup>2</sup>	6.0 @ 5412
						69-8607TB <sup>2</sup>	6.0 @ 5412
				xA	1.5L L4 F/I	69-8606TP <sup>1</sup>	4.4 @ 4925
						69-8606TB <sup>1</sup>	4.4 @ 4925
				xB	1.5L L4 F/I	69-8605TS <sup>1</sup>	8.0 @ 5450

1) Street legal in all US states. 2) Street legal in most states, but not legal for use in California or other states with similar emission control regulations.

\* Estimated horsepower gains are based on specific or similar vehicle dyno tests. Results will vary. See Page 81 for more information. Partial Listing - Complete List of Vehicles and Applications at knfilters.com. See page 82 for information on intake tube materials/colors.

Vehicle	Engine Type	Intake Kit	Estimated Horsepower*	Vehicle	Engine Type	Intake Kit	Estimated Horsepower*
<b>2004 SCION</b>				<b>2008 SEAT</b>			
xA	1.5L L4 F/I	69-8606TP <sup>1</sup>	4.4 @ 4925	Altea XL	2.0L L4 F/I - 200BHP	69-9503TFK <sup>2</sup>	18.6 @ 4500
		69-8606TB <sup>1</sup>	4.4 @ 4925	Leon	1.8L L4 F/I	69-9756TFK <sup>2</sup>	
xB	1.5L L4 F/I	69-8605TS <sup>1</sup>	8.0 @ 5450	Leon	1.9L L4 DSL	69-9756TFK <sup>2</sup>	
<b>2011 SEAT</b>				Leon	2.0L L4 DSL	69-9756TFK <sup>2</sup>	
Alhambra II	2.0L L4 DSL	69-9756TFK <sup>2</sup>		Leon	2.0L L4 F/I - 200BHP	69-9503TFK <sup>2</sup>	18.6 @ 4500
Alhambra II	2.0L L4 F/I	69-9756TFK <sup>2</sup>		Toledo III	1.8L L4 F/I	69-9756TFK <sup>2</sup>	
Altea	1.6L L4 DSL	69-9756TFK <sup>2</sup>		Toledo III	1.9L L4 DSL	69-9756TFK <sup>2</sup>	
Altea	1.8L L4 F/I	69-9756TFK <sup>2</sup>		Toledo III	2.0L L4 DSL	69-9756TFK <sup>2</sup>	
Altea	2.0L L4 F/I	69-9756TFK <sup>2</sup>		Toledo III	2.0L L4 F/I - TFSi	69-9503TFK <sup>2</sup>	18.6 @ 4500
Altea XL	1.6L L4 DSL	69-9756TFK <sup>2</sup>		<b>2007 SEAT</b>			
Altea XL	2.0L L4 DSL	69-9756TFK <sup>2</sup>		Altea	1.9L L4 DSL	69-9756TFK <sup>2</sup>	
Altea XL	2.0L L4 F/I	69-9756TFK <sup>2</sup>		Altea	2.0L L4 DSL	69-9756TFK <sup>2</sup>	
Leon	1.6L L4 DSL	69-9756TFK <sup>2</sup>		Altea	2.0L L4 F/I - 200BHP	69-9503TFK <sup>2</sup>	18.6 @ 4500
Leon	1.8L L4 F/I	69-9756TFK <sup>2</sup>		Altea XL	1.9L L4 DSL	69-9756TFK <sup>2</sup>	
Leon	2.0L L4 DSL	69-9756TFK <sup>2</sup>		Altea XL	2.0L L4 DSL	69-9756TFK <sup>2</sup>	
Leon	2.0L L4 F/I - Exc. Cupra R	69-9756TFK <sup>2</sup>		Altea XL	2.0L L4 F/I - 200BHP	69-9503TFK <sup>2</sup>	18.6 @ 4500
<b>2010 SEAT</b>				Leon	1.8L L4 F/I	69-9756TFK <sup>2</sup>	
Alhambra II	2.0L L4 DSL	69-9756TFK <sup>2</sup>		Leon	1.9L L4 DSL	69-9756TFK <sup>2</sup>	
Alhambra II	2.0L L4 F/I	69-9756TFK <sup>2</sup>		Leon	2.0L L4 DSL	69-9756TFK <sup>2</sup>	
Altea	1.6L L4 DSL	69-9756TFK <sup>2</sup>		Leon	2.0L L4 F/I - 200BHP	69-9503TFK <sup>2</sup>	18.6 @ 4500
Altea	1.8L L4 F/I	69-9756TFK <sup>2</sup>		Toledo III	1.9L L4 DSL	69-9756TFK <sup>2</sup>	
Altea	2.0L L4 DSL	69-9756TFK <sup>2</sup>		Toledo III	2.0L L4 DSL	69-9756TFK <sup>2</sup>	
Altea	2.0L L4 F/I	69-9756TFK <sup>2</sup>		Toledo III	2.0L L4 F/I - TFSi	69-9503TFK <sup>2</sup>	18.6 @ 4500
Altea XL	1.6L L4 DSL	69-9756TFK <sup>2</sup>		<b>2006 SEAT</b>			
Altea XL	1.8L L4 F/I	69-9756TFK <sup>2</sup>		Altea	1.9L L4 DSL	69-9756TFK <sup>2</sup>	
Altea XL	2.0L L4 DSL	69-9756TFK <sup>2</sup>		Altea	2.0L L4 DSL	69-9756TFK <sup>2</sup>	
Altea XL	2.0L L4 F/I	69-9756TFK <sup>2</sup>		Altea	2.0L L4 F/I - 200BHP	69-9503TFK <sup>2</sup>	18.6 @ 4500
Leon	1.6L L4 DSL	69-9756TFK <sup>2</sup>		Altea XL	1.9L L4 DSL	69-9756TFK <sup>2</sup>	
Leon	1.8L L4 F/I	69-9756TFK <sup>2</sup>		Altea XL	2.0L L4 DSL	69-9756TFK <sup>2</sup>	
Leon	2.0L L4 DSL	69-9756TFK <sup>2</sup>		Altea XL	2.0L L4 F/I - 200BHP	69-9503TFK <sup>2</sup>	18.6 @ 4500
Leon	2.0L L4 F/I - Exc. Cupra R	69-9756TFK <sup>2</sup>		Leon	1.9L L4 DSL	69-9756TFK <sup>2</sup>	
<b>2009 SEAT</b>				Leon	2.0L L4 DSL	69-9756TFK <sup>2</sup>	
Altea	1.6L L4 DSL	69-9756TFK <sup>2</sup>		Leon	2.0L L4 F/I - 200BHP	69-9503TFK <sup>2</sup>	18.6 @ 4500
Altea	1.8L L4 F/I	69-9756TFK <sup>2</sup>		Toledo III	2.0L L4 DSL	69-9756TFK <sup>2</sup>	
Altea	1.9L L4 DSL	69-9756TFK <sup>2</sup>		Toledo III	2.0L L4 F/I - TFSi	69-9503TFK <sup>2</sup>	18.6 @ 4500
Altea	2.0L L4 DSL	69-9756TFK <sup>2</sup>		<b>2005 SEAT</b>			
Altea XL	1.6L L4 DSL	69-9756TFK <sup>2</sup>		Altea	2.0L L4 DSL	69-9756TFK <sup>2</sup>	
Altea XL	1.8L L4 F/I	69-9756TFK <sup>2</sup>		Leon	1.6L L4 F/I - 105BHP, To 7/05	69-9751TB <sup>2</sup>	
Altea XL	1.9L L4 DSL	69-9756TFK <sup>2</sup>		Leon	1.6L L4 F/I - To 7/05	69-9751TS <sup>2</sup>	
Altea XL	2.0L L4 DSL	69-9756TFK <sup>2</sup>		Leon	1.8L L4 F/I - 125/180BHP	69-9501TP <sup>2</sup>	10.0 @ 5079
Leon	1.6L L4 DSL	69-9756TFK <sup>2</sup>				69-9501TB <sup>2</sup>	10.0 @ 5079
Leon	1.8L L4 F/I	69-9756TFK <sup>2</sup>		Leon	1.9L L4 DSL	69-9756TFK <sup>2</sup>	
Leon	1.9L L4 DSL	69-9756TFK <sup>2</sup>		Leon	2.0L L4 DSL	69-9756TFK <sup>2</sup>	
Leon	2.0L L4 DSL	69-9756TFK <sup>2</sup>		Leon	2.0L L4 F/I - Exc., 150BHP	69-9503TFK <sup>2</sup>	18.6 @ 4500
Leon	2.0L L4 F/I	69-9756TFK <sup>2</sup>		<b>2004 SEAT</b>			
Toledo III	1.8L L4 F/I	69-9756TFK <sup>2</sup>		Altea	2.0L L4 DSL	69-9756TFK <sup>2</sup>	
Toledo III	1.9L L4 DSL	69-9756TFK <sup>2</sup>		Leon	1.6L L4 F/I - 105BHP	69-9751TS <sup>2</sup>	
Toledo III	2.0L L4 DSL	69-9756TFK <sup>2</sup>				69-9751TB <sup>2</sup>	
<b>2008 SEAT</b>				Leon	1.8L L4 F/I - 125/180BHP	69-9501TP <sup>2</sup>	10.0 @ 5079
Altea	1.8L L4 F/I	69-9756TFK <sup>2</sup>				69-9501TB <sup>2</sup>	10.0 @ 5079
Altea	1.9L L4 DSL	69-9756TFK <sup>2</sup>		Leon	2.8L V6 F/I	69-8250TWR <sup>2</sup>	
Altea	2.0L L4 DSL	69-9756TFK <sup>2</sup>				69-8250TS <sup>2</sup>	
Altea	2.0L L4 F/I - 200BHP	69-9503TFK <sup>2</sup>	18.6 @ 4500	Toledo II	1.8L L4 F/I - 125BHP	69-9501TP <sup>2</sup>	10.0 @ 5079
Altea XL	1.8L L4 F/I	69-9756TFK <sup>2</sup>				69-9501TB <sup>2</sup>	10.0 @ 5079
Altea XL	1.9L L4 DSL	69-9756TFK <sup>2</sup>					
Altea XL	2.0L L4 DSL	69-9756TFK <sup>2</sup>					

1) Street legal in all US states. 2) Street legal in most states, but not legal for use in California or other states with similar emission control regulations.

\* Estimated horsepower gains are based on specific or similar vehicle dyno tests. Results will vary. See Page 81 for more information. Partial Listing - Complete List of Vehicles and Applications at knfilters.com. See page 82 for information on intake tube materials/colors.

# Intake Systems

# SEAT

Vehicle	Engine Type	Intake Kit	Estimated Horsepower*	Vehicle	Engine Type	Intake Kit	Estimated Horsepower*
<b>2003 SEAT</b>				<b>2010 SKODA</b>			
Leon	1.6L L4 F/I - 105BHP	69-9751TS <sup>2</sup>		Superb	1.9L L4 DSL	69-9756TFK <sup>2</sup>	
		69-9751TB <sup>2</sup>		Superb	2.0L L4 DSL	69-9756TFK <sup>2</sup>	
Leon	1.8L L4 F/I - 125/180BHP	69-9501TP <sup>2</sup>	10.0 @ 5079	Superb	2.0L L4 F/I	69-9756TFK <sup>2</sup>	
		69-9501TB <sup>2</sup>	10.0 @ 5079	Yeti	1.6L L4 DSL	69-9756TFK <sup>2</sup>	
Toledo II	1.8L L4 F/I - 125BHP	69-9501TP <sup>2</sup>	10.0 @ 5079	Yeti	1.8L L4 F/I	69-9756TFK <sup>2</sup>	
				Yeti	2.0L L4 DSL	69-9756TFK <sup>2</sup>	
<b>2002 SEAT</b>				<b>2009 SKODA</b>			
Ibiza III	1.8L L4 F/I	69-8251TS <sup>2</sup>		Octavia	1.6L L4 DSL	69-9756TFK <sup>2</sup>	
		69-8251TB <sup>2</sup>		Octavia	1.8L L4 F/I	69-9756TFK <sup>2</sup>	
Leon	1.4L L4 F/I	69-9751TS <sup>2</sup>		Octavia	1.9L L4 DSL	69-9756TFK <sup>2</sup>	
		69-9751TB <sup>2</sup>		Octavia	2.0L L4 DSL	69-9756TFK <sup>2</sup>	
Leon	1.6L L4 F/I - 105BHP	69-9751TS <sup>2</sup>		Octavia	2.0L L4 F/I	69-9756TFK <sup>2</sup>	
		69-9751TB <sup>2</sup>		Superb	1.8L L4 F/I	69-9756TFK <sup>2</sup>	
Leon	1.8L L4 F/I - 125/180BHP	69-9501TP <sup>2</sup>	10.0 @ 5079	Superb	1.9L L4 DSL	69-9756TFK <sup>2</sup>	
		69-9501TB <sup>2</sup>	10.0 @ 5079	Superb	2.0L L4 DSL	69-9756TFK <sup>2</sup>	
Leon	2.8L V6 F/I	69-8250TWR <sup>2</sup>		Yeti	1.8L L4 F/I	69-9756TFK <sup>2</sup>	
		69-8250TS <sup>2</sup>		Yeti	2.0L L4 DSL	69-9756TFK <sup>2</sup>	
<b>2001 SEAT</b>				<b>2008 SKODA</b>			
Ibiza III	1.8L L4 F/I	69-8251TS <sup>2</sup>		Octavia	1.8L L4 F/I	69-9756TFK <sup>2</sup>	
		69-8251TB <sup>2</sup>		Octavia	1.9L L4 DSL	69-9756TFK <sup>2</sup>	
Leon	1.4L L4 F/I	69-9751TS <sup>2</sup>		Octavia	2.0L L4 DSL	69-9756TFK <sup>2</sup>	
		69-9751TB <sup>2</sup>		Octavia	2.0L L4 F/I - 200BHP	69-9503TFK <sup>2</sup>	18.6 @ 4500
Leon	1.6L L4 F/I - 105BHP	69-9751TS <sup>2</sup>		Superb	1.8L L4 F/I	69-9756TFK <sup>2</sup>	
		69-9751TB <sup>2</sup>		Superb	1.9L L4 DSL	69-9756TFK <sup>2</sup>	
Leon	1.8L L4 F/I - 125/180BHP	69-9501TP <sup>2</sup>	10.0 @ 5079	Superb	2.0L L4 DSL	69-9756TFK <sup>2</sup>	
		69-9501TB <sup>2</sup>	10.0 @ 5079	<b>2007 SKODA</b>			
Leon	2.8L V6 F/I	69-8250TWR <sup>2</sup>		Octavia	1.8L L4 F/I	69-9756TFK <sup>2</sup>	
		69-8250TS <sup>2</sup>		Octavia	1.9L L4 DSL	69-9756TFK <sup>2</sup>	
<b>2000 SEAT</b>				<b>2006 SKODA</b>			
Ibiza III	1.8L L4 F/I	69-8251TS <sup>2</sup>		Octavia	1.9L L4 SDI	69-9756TFK <sup>2</sup>	
		69-8251TB <sup>2</sup>		Octavia	2.0L L4 DSL	69-9756TFK <sup>2</sup>	
Leon	1.6L L4 F/I - 105BHP	69-9751TS <sup>2</sup>		Octavia	2.0L L4 F/I - 200BHP	69-9503TFK <sup>2</sup>	18.6 @ 4500
		69-9751TB <sup>2</sup>		<b>2005 SKODA</b>			
Leon	1.8L L4 F/I - 125/180BHP	69-9501TP <sup>2</sup>	10.0 @ 5079	Octavia	1.9L L4 DSL	69-9756TFK <sup>2</sup>	
		69-9501TB <sup>2</sup>	10.0 @ 5079	Octavia	1.9L L4 SDI	69-9756TFK <sup>2</sup>	
Toledo II	1.6L L4 F/I - 105BHP	69-9751TS <sup>2</sup>		Octavia	2.0L L4 DSL	69-9756TFK <sup>2</sup>	
		69-9751TB <sup>2</sup>		<b>2004 SKODA</b>			
<b>2011 SKODA</b>				<b>2003 SKODA</b>			
Octavia	1.8L L4 F/I	69-9756TFK <sup>2</sup>		Octavia	1.8L L4 F/I - 150/180BHP	69-9501TP <sup>2</sup>	10.0 @ 5079
Octavia	2.0L L4 F/I	69-9756TFK <sup>2</sup>				69-9501TB <sup>2</sup>	10.0 @ 5079
Superb	1.6L L4 DSL	69-9756TFK <sup>2</sup>		Octavia	1.9L L4 DSL	69-9756TFK <sup>2</sup>	
Superb	1.8L L4 F/I	69-9756TFK <sup>2</sup>		Octavia	1.9L L4 SDI	69-9756TFK <sup>2</sup>	
Superb	2.0L L4 DSL	69-9756TFK <sup>2</sup>		Octavia	2.0L L4 DSL	69-9756TFK <sup>2</sup>	
Yeti	1.6L L4 DSL	69-9756TFK <sup>2</sup>		Octavia	2.0L L4 F/I	69-9501TP <sup>2</sup>	10.0 @ 5079
Yeti	1.8L L4 F/I	69-9756TFK <sup>2</sup>				69-9501TB <sup>2</sup>	10.0 @ 5079
Yeti	2.0L L4 DSL	69-9756TFK <sup>2</sup>		<b>2003 SKODA</b>			
<b>2010 SKODA</b>				<b>2003 SKODA</b>			
Octavia	1.6L L4 DSL	69-9756TFK <sup>2</sup>		Octavia	1.8L L4 F/I - 150/180BHP	69-9501TP <sup>2</sup>	10.0 @ 5079
Octavia	1.8L L4 F/I	69-9756TFK <sup>2</sup>				69-9501TB <sup>2</sup>	10.0 @ 5079
Octavia	2.0L L4 DSL	69-9756TFK <sup>2</sup>		Octavia	2.0L L4 F/I	69-9501TP <sup>2</sup>	10.0 @ 5079
Octavia	2.0L L4 F/I	69-9756TFK <sup>2</sup>				69-9501TB <sup>2</sup>	10.0 @ 5079
Superb	1.6L L4 DSL	69-9756TFK <sup>2</sup>		<b>2003 SKODA</b>			
Superb	1.8L L4 F/I	69-9756TFK <sup>2</sup>		Octavia	2.0L L4 F/I	69-9501TP <sup>2</sup>	10.0 @ 5079

1) Street legal in all US states. 2) Street legal in most states, but not legal for use in California or other states with similar emission control regulations.

\* Estimated horsepower gains are based on specific or similar vehicle dyno tests. Results will vary. See Page 81 for more information. Partial Listing - Complete List of Vehicles and Applications at knfilters.com. See page 82 for information on intake tube materials/colors.

# SKODA

# Intake Systems

Vehicle	Engine Type	Intake Kit	Estimated Horsepower*	Vehicle	Engine Type	Intake Kit	Estimated Horsepower*
<b>2002 SKODA</b>				<b>2004 SUBARU</b>			
Octavia	1.8L L4 F/I - 150/180BHP	69-9501TP <sup>2</sup>	10.0 @ 5079	Forester	2.5L H4 F/I - Turbo	69-8002TS <sup>1</sup>	10.6 @ 4100
		69-9501TB <sup>2</sup>	10.0 @ 5079	Impreza WRX	2.0L H4 F/I	69-8001TWR <sup>1</sup>	15.9 @ 5050
Octavia	2.0L L4 F/I	69-9501TP <sup>2</sup>	10.0 @ 5079	Impreza WRX STi	2.0L H4 F/I	69-8001TS <sup>1</sup>	15.9 @ 5050
		69-9501TB <sup>2</sup>	10.0 @ 5079	Impreza WRX STi	2.0L H4 F/I	69-8001TWR <sup>2</sup>	15.9 @ 5050
<b>2001 SKODA</b>				<b>2003 SUBARU</b>			
Octavia	1.8L L4 F/I - 150/180BHP	69-9501TP <sup>2</sup>	10.0 @ 5079	Impreza WRX	2.0L H4 F/I	69-8001TWR <sup>1</sup>	15.9 @ 5050
		69-9501TB <sup>2</sup>	10.0 @ 5079	Impreza WRX STi	2.0L H4 F/I	69-8001TS <sup>1</sup>	15.9 @ 5050
<b>2000 SKODA</b>				<b>2002 SUBARU</b>			
Octavia	1.8L L4 F/I - 150/180BHP	69-9501TP <sup>2</sup>	10.0 @ 5079	Impreza WRX STi	2.0L H4 F/I	69-8001TWR <sup>2</sup>	15.9 @ 5050
		69-9501TB <sup>2</sup>	10.0 @ 5079	Impreza WRX	2.0L H4 F/I	69-8001TS <sup>2</sup>	15.9 @ 5050
<b>2011 SUBARU</b>				<b>2002 SUBARU</b>			
Impreza WRX STi	2.5L H4 F/I	69-8005TWR <sup>2</sup>	17.5 @ 5260	Impreza WRX	2.0L H4 F/I	69-8001TWR <sup>1</sup>	15.9 @ 5050
<b>2010 SUBARU</b>				<b>2001 SUBARU</b>			
Impreza WRX	2.5L H4 F/I	69-8004TTK <sup>2</sup>	14.3 @ 5228	Impreza WRX STi	2.0L H4 F/I	69-8001TS <sup>1</sup>	15.9 @ 5050
Impreza WRX STi	2.5L H4 F/I	69-8005TWR <sup>2</sup>	17.5 @ 5260	Impreza WRX	2.0L H4 F/I	69-8001TWR <sup>2</sup>	15.9 @ 5050
<b>2009 SUBARU</b>				<b>2000 SUBARU</b>			
Impreza WRX	2.5L H4 F/I	69-8004TTK <sup>2</sup>	14.3 @ 5228	Impreza WRX	2.0L H4 F/I	69-8001TWR <sup>2</sup>	15.9 @ 5050
Impreza WRX STi	2.5L H4 F/I	69-8005TWR <sup>2</sup>	17.5 @ 5260	Impreza WRX	2.0L H4 F/I	69-8001TS <sup>2</sup>	15.9 @ 5050
<b>2008 SUBARU</b>				<b>2008 SUZUKI</b>			
Impreza WRX	2.5L H4 F/I - US	69-8004TTK <sup>2</sup>	14.3 @ 5228	LTR450 QuadRacer	450	63-1128 <sup>2</sup>	2.7 @ 6600
Impreza WRX STi	2.5L H4 F/I	69-8005TWR <sup>2</sup>	17.5 @ 5260	<b>2007 SUZUKI</b>			
Legacy GT	2.5L H4 F/I	69-8003TFK <sup>2</sup>	14.9 @ 4700	LTR450 QuadRacer	450	63-1128 <sup>2</sup>	2.7 @ 6600
<b>2007 SUBARU</b>				<b>2006 SUZUKI</b>			
Impreza WRX	2.0L H4 F/I	69-8001TWR <sup>2</sup>	15.9 @ 5050	LTR450 QuadRacer	450	63-1128 <sup>2</sup>	2.7 @ 6600
		69-8001TS <sup>2</sup>	15.9 @ 5050	<b>2003 SUZUKI</b>			
Impreza WRX	2.5L H4 F/I	69-8001TWR <sup>2</sup>	15.9 @ 5050	Aerio	2.0L L4 F/I	69-8400TS <sup>1</sup>	7.3 @ 5900
		69-8001TS <sup>2</sup>	15.9 @ 5050	Aerio	2.0L L4 F/I	69-8400TR <sup>1</sup>	7.3 @ 5900
Impreza WRX STi	2.0L H4 F/I	69-8001TWR <sup>2</sup>	15.9 @ 5050	<b>2002 SUZUKI</b>			
		69-8001TS <sup>2</sup>	15.9 @ 5050	Aerio	2.0L L4 F/I	69-8400TS <sup>1</sup>	7.3 @ 5900
Impreza WRX STi	2.5L H4 F/I	69-8001TWR <sup>2</sup>	15.9 @ 5050	Aerio	2.0L L4 F/I	69-8400TR <sup>1</sup>	7.3 @ 5900
		69-8001TS <sup>2</sup>	15.9 @ 5050	<b>2011 TOYOTA</b>			
Legacy GT	2.5L H4 F/I	69-8003TFK <sup>2</sup>	14.9 @ 4700	Camry	3.5L V6 F/I	69-8611TS <sup>2</sup>	11.7 @ 4800
<b>2006 SUBARU</b>				Sequoia	5.7L V8 F/I	77-9031-1KP <sup>2</sup>	13.4 @ 5142
Forester	2.5L H4 F/I - Turbo	69-8002TS <sup>2</sup>	10.6 @ 4100	Sequoia	5.7L V8 F/I	63-9031-1 <sup>2</sup>	13.1 @ 5282
Impreza WRX	2.0L H4 F/I	69-8001TWR <sup>2</sup>	15.9 @ 5050	Tacoma	2.7L L4 F/I	77-9026KP <sup>2</sup>	5.7 @ 4600
		69-8001TS <sup>2</sup>	15.9 @ 5050	Tacoma	2.7L L4 F/I	63-9026 <sup>2</sup>	7.4 @ 4600
Impreza WRX	2.5L H4 F/I	69-8001TWR <sup>1</sup>	15.9 @ 5050	Tacoma	4.0L V6 F/I	77-9025KP <sup>2</sup>	10.2 @ 5174
		69-8001TS <sup>1</sup>	15.9 @ 5050	Tacoma	4.0L V6 F/I	63-9025 <sup>2</sup>	10.3 @ 4979
Impreza WRX STi	2.0L H4 F/I	69-8001TWR <sup>2</sup>	15.9 @ 5050	Tundra	5.7L V8 F/I	77-9031-1KP <sup>2</sup>	13.4 @ 5142
		69-8001TS <sup>2</sup>	15.9 @ 5050	Tundra	5.7L V8 F/I	63-9031-1 <sup>2</sup>	13.1 @ 5282
Impreza WRX STi	2.5L H4 F/I	69-8001TWR <sup>1</sup>	15.9 @ 5050	Yaris	1.8L L4 F/I	69-8615TS <sup>2</sup>	5.5 @ 5300
		69-8001TS <sup>1</sup>	15.9 @ 5050	<b>2010 TOYOTA</b>			
Legacy GT	2.5L H4 F/I	69-8003TFK <sup>1</sup>	14.9 @ 4700	4 Runner	4.0L V6 F/I	77-9034KP <sup>2</sup>	13.6 @ 5000
<b>2005 SUBARU</b>				4 Runner	4.0L V6 F/I	63-9034 <sup>2</sup>	12.2 @ 4600
Forester	2.5L H4 F/I - Turbo	69-8002TS <sup>1</sup>	10.6 @ 4100	Camry	3.5L V6 F/I	69-8611TS <sup>2</sup>	11.7 @ 4800
Impreza WRX	2.0L H4 F/I	69-8001TWR <sup>1</sup>	15.9 @ 5050	Corolla	1.8L L4 F/I	69-8757TTK <sup>2</sup>	6.4 @ 5323
		69-8001TS <sup>1</sup>	15.9 @ 5050	FJ Cruiser	4.0L V6 F/I	77-9034KP <sup>2</sup>	13.6 @ 5000
Impreza WRX STi	2.0L H4 F/I	69-8001TWR <sup>2</sup>	15.9 @ 5050	Sequoia	5.7L V8 F/I	63-9034 <sup>2</sup>	12.2 @ 4600
		69-8001TS <sup>2</sup>	15.9 @ 5050	Sequoia	5.7L V8 F/I	77-9031-1KP <sup>2</sup>	13.4 @ 5142
Impreza WRX STi	2.5L H4 F/I	69-8001TWR <sup>1</sup>	15.9 @ 5050				
		69-8001TS <sup>1</sup>	15.9 @ 5050				
Legacy GT	2.5L H4 F/I	69-8001TWR <sup>1</sup>	15.9 @ 5050				
		69-8003TFK <sup>1</sup>	14.9 @ 4700				

1) Street legal in all US states. 2) Street legal in most states, but not legal for use in California or other states with similar emission control regulations.

\* Estimated horsepower gains are based on specific or similar vehicle dyno tests. Results will vary. See Page 81 for more information.

Partial Listing - Complete List of Vehicles and Applications at knfilters.com. See page 82 for information on intake tube materials/colors.

# Intake Systems

# TOYOTA

Vehicle	Engine Type	Intake Kit	Estimated Horsepower*	Vehicle	Engine Type	Intake Kit	Estimated Horsepower*
<b>2010 TOYOTA</b>				<b>2008 TOYOTA</b>			
Sequoia	5.7L V8 F/I	63-9031-1 <sup>2</sup>	13.1 @ 5282	Tacoma	4.0L V6 F/I	63-9025 <sup>2</sup>	10.3 @ 4979
Tacoma	2.7L L4 F/I	77-9026KP <sup>2</sup>	5.7 @ 4600	Tundra	4.0L V6 F/I	77-9033KP <sup>2</sup>	9.7 @ 4743
		63-9026 <sup>2</sup>	7.4 @ 4600			63-9033 <sup>2</sup>	9.7 @ 4742
Tacoma	4.0L V6 F/I	77-9025KP <sup>2</sup>	10.2 @ 5174	Tundra	4.7L V8 F/I	77-9032-1KP <sup>2</sup>	9.0 @ 4717
		63-9025 <sup>2</sup>	10.3 @ 4979			63-9032-1 <sup>2</sup>	8.1 @ 4717
Tundra	4.0L V6 F/I	77-9033KP <sup>2</sup>	9.7 @ 4743	Tundra	5.7L V8 F/I	77-9031-1KP <sup>2</sup>	13.4 @ 5142
		63-9033 <sup>2</sup>	9.7 @ 4742			63-9031-1 <sup>2</sup>	13.1 @ 5282
Tundra	5.7L V8 F/I	77-9031-1KP <sup>2</sup>	13.4 @ 5142	Yaris	1.5L L4 F/I	69-8612TFK <sup>2</sup>	4.6 @ 5089
		63-9031-1 <sup>2</sup>	13.1 @ 5282	Yaris	1.8L L4 F/I	69-8615TS <sup>2</sup>	5.5 @ 5300
Venza	3.5L V6 F/I	69-8611TS <sup>2</sup>	11.7 @ 4800	<b>2007 TOYOTA</b>			
Yaris	1.5L L4 F/I	69-8612TFK <sup>2</sup>	4.6 @ 5089	4 Runner	4.0L V6 F/I	77-9023KP <sup>2</sup>	7.9 @ 5189
Yaris	1.8L L4 F/I	69-8615TS <sup>2</sup>	5.5 @ 5300			63-9023 <sup>2</sup>	9.2 @ 5388
<b>2009 TOYOTA</b>				4 Runner	4.7L V8 F/I	77-9029KP <sup>2</sup>	7.4 @ 5270
Camry	2.4L L4 F/I	69-8610TTK <sup>2</sup>	14.3 @ 5639			63-9029 <sup>2</sup>	12.3 @ 5270
Camry	3.5L V6 F/I	69-8611TS <sup>2</sup>	11.7 @ 4800	Avensis	1.6L L4 F/I	69-8754TR <sup>2</sup>	
Corolla	1.8L L4 F/I	69-8757TTK <sup>2</sup>	6.4 @ 5323			69-8754TP <sup>2</sup>	
FJ Cruiser	4.0L V6 F/I	77-9030KP <sup>2</sup>	8.2 @ 4785	Avensis	1.8L L4 F/I	69-8754TR <sup>2</sup>	
		63-9030 <sup>2</sup>	12.0 @ 4785			69-8754TP <sup>2</sup>	
Matrix	2.4L L4 F/I	69-8613TS <sup>2</sup>	9.1 @ 5026	Avensis	2.0L L4 F/I	69-8754TR <sup>2</sup>	
Sequoia	4.7L V8 F/I	77-9032-1KP <sup>2</sup>	9.0 @ 4717			69-8754TP <sup>2</sup>	
		63-9032-1 <sup>2</sup>	8.1 @ 4717	Camry	2.4L L4 F/I	69-8610TTK <sup>2</sup>	14.3 @ 5639
Sequoia	5.7L V8 F/I	77-9031-1KP <sup>2</sup>	13.4 @ 5142	Camry	3.5L V6 F/I	69-8611TS <sup>2</sup>	11.7 @ 4800
		63-9031-1 <sup>2</sup>	13.1 @ 5282	Corolla	1.4L L4 F/I	69-8754TR <sup>2</sup>	
Tacoma	2.7L L4 F/I	77-9026KP <sup>2</sup>	5.7 @ 4600			69-8754TP <sup>2</sup>	
		63-9026 <sup>2</sup>	7.4 @ 4600	Corolla	1.6L L4 F/I	69-8754TR <sup>2</sup>	
Tacoma	4.0L V6 F/I	77-9025KP <sup>2</sup>	10.2 @ 5174			69-8754TP <sup>2</sup>	
		63-9025 <sup>2</sup>	10.3 @ 4979	Corolla	1.8L L4 F/I - Non-US	69-8751TR <sup>2</sup>	
Tundra	4.0L V6 F/I	77-9033KP <sup>2</sup>	9.7 @ 4743			69-8751TP <sup>2</sup>	
		63-9033 <sup>2</sup>	9.7 @ 4742	FJ Cruiser	4.0L V6 F/I	77-9030KP <sup>2</sup>	8.2 @ 4785
Tundra	4.7L V8 F/I	77-9032-1KP <sup>2</sup>	9.0 @ 4717			63-9030 <sup>2</sup>	11.9 @ 4785
		63-9032-1 <sup>2</sup>	8.1 @ 4717	Sequoia	4.7L V8 F/I	77-9027KP <sup>2</sup>	8.7 @ 5465
Tundra	5.7L V8 F/I	77-9031-1KP <sup>2</sup>	13.4 @ 5142			63-9027 <sup>2</sup>	9.5 @ 5472
		63-9031-1 <sup>2</sup>	13.1 @ 5282	Tacoma	2.7L L4 F/I	77-9026KP <sup>2</sup>	5.7 @ 4600
Venza	3.5L V6 F/I	69-8611TS <sup>2</sup>	11.7 @ 4800			63-9026 <sup>2</sup>	7.4 @ 4600
Yaris	1.5L L4 F/I	69-8612TFK <sup>2</sup>	4.6 @ 5089	Tacoma	4.0L V6 F/I	77-9025KP <sup>2</sup>	10.2 @ 5174
Yaris	1.8L L4 F/I	69-8615TS <sup>2</sup>	5.5 @ 5300			63-9025 <sup>2</sup>	10.3 @ 4979
<b>2008 TOYOTA</b>				Tundra	4.0L V6 F/I	77-9033KP <sup>2</sup>	9.7 @ 4743
4 Runner	4.0L V6 F/I	77-9023KP <sup>2</sup>	7.9 @ 5189			63-9033 <sup>2</sup>	9.7 @ 4742
		63-9023 <sup>2</sup>	9.2 @ 5388	Tundra	4.7L V8 F/I	77-9032-1KP <sup>2</sup>	9.0 @ 4717
4 Runner	4.7L V8 F/I	77-9029KP <sup>2</sup>	7.4 @ 5270			63-9032-1 <sup>2</sup>	8.1 @ 4717
		63-9029 <sup>2</sup>	12.3 @ 5270	Tundra	5.7L V8 F/I	77-9031-1KP <sup>2</sup>	13.4 @ 5142
Avensis	1.6L L4 F/I	69-8754TR <sup>2</sup>				63-9031-1 <sup>2</sup>	13.1 @ 5282
		69-8754TP <sup>2</sup>		Yaris	1.5L L4 F/I	69-8612TFK <sup>2</sup>	4.6 @ 5089
Avensis	1.8L L4 F/I	69-8754TR <sup>2</sup>		Yaris	1.8L L4 F/I	69-8615TS <sup>2</sup>	5.5 @ 5300
		69-8754TP <sup>2</sup>		<b>2006 TOYOTA</b>			
Avensis	2.0L L4 F/I	69-8754TR <sup>2</sup>		4 Runner	4.0L V6 F/I	77-9023KP <sup>2</sup>	7.9 @ 5189
		69-8754TP <sup>2</sup>				63-9023 <sup>2</sup>	9.2 @ 5388
Camry	2.4L L4 F/I	69-8610TTK <sup>2</sup>	14.3 @ 5639	4 Runner	4.7L V8 F/I	77-9029KP <sup>2</sup>	7.4 @ 5270
Camry	3.5L V6 F/I	69-8611TS <sup>2</sup>	11.7 @ 4800			63-9029 <sup>2</sup>	12.3 @ 5270
FJ Cruiser	4.0L V6 F/I	77-9030KP <sup>2</sup>	8.2 @ 4785	Avensis	1.8L L4 F/I	69-8754TR <sup>2</sup>	
		63-9030 <sup>2</sup>	12.0 @ 4785			69-8754TP <sup>2</sup>	
Sequoia	4.7L V8 F/I	77-9032-1KP <sup>2</sup>	9.0 @ 4717	Avensis	2.0L L4 F/I	69-8754TR <sup>2</sup>	
		63-9032-1 <sup>2</sup>	8.1 @ 4717			69-8754TP <sup>2</sup>	
Sequoia	5.7L V8 F/I	77-9031-1KP <sup>2</sup>	13.4 @ 5142	Camry	2.4L L4 F/I	69-8609TTK <sup>2</sup>	6.4 @ 5600
		63-9031-1 <sup>2</sup>	13.1 @ 5282	Celica	1.8L L4 F/I - 143BHP	69-8750TS <sup>2</sup>	
Tacoma	2.7L L4 F/I	77-9026KP <sup>2</sup>	5.7 @ 4600			69-8750TR <sup>2</sup>	
		63-9026 <sup>2</sup>	7.4 @ 4600	Celica	1.8L L4 F/I - 192BHP	69-8752TS <sup>2</sup>	
Tacoma	4.0L V6 F/I	77-9025KP <sup>2</sup>	10.2 @ 5174			69-8752TR <sup>2</sup>	

1) Street legal in all US states. 2) Street legal in most states, but not legal for use in California or other states with similar emission control regulations.

\* Estimated horsepower gains are based on specific or similar vehicle dyno tests. Results will vary. See Page 81 for more information.  
 Partial Listing - Complete List of Vehicles and Applications at knfilters.com. See page 82 for information on intake tube materials/colors.



# TOYOTA

# Intake Systems

Vehicle	Engine Type	Intake Kit	Estimated Horsepower*	Vehicle	Engine Type	Intake Kit	Estimated Horsepower*
<b>2006 TOYOTA</b>				<b>2005 TOYOTA</b>			
Celica	1.8L L4 F/I - 192BHP	69-8752TB <sup>2</sup>		Tacoma	4.0L V6 F/I	63-9025 <sup>2</sup>	10.3 @ 4979
Corolla	1.4L L4 F/I	69-8754TR <sup>2</sup>		Tundra	4.0L V6 F/I	77-9028KP <sup>2</sup>	8.3 @ 5159
		69-8754TP <sup>2</sup>				63-9028 <sup>2</sup>	11.4 @ 5159
Corolla	1.6L L4 F/I	69-8754TR <sup>2</sup>		Tundra	4.7L V8 F/I	77-9027KP <sup>2</sup>	8.7 @ 5465
		69-8754TP <sup>2</sup>				63-9027 <sup>2</sup>	9.5 @ 5472
Corolla	1.8L L4 F/I - Non-US	69-8751TR <sup>2</sup>				57-9027 <sup>1</sup>	9.6 @ 4306
		69-8751TP <sup>2</sup>		Yaris	1.5L L4 F/I - 105BHP	69-8756TP <sup>2</sup>	
Matrix XRS	1.8L L4 F/I	69-8601TR <sup>2</sup>	11.9 @ 7700			69-8756TB <sup>2</sup>	
		69-8601TP <sup>2</sup>	11.9 @ 7700	<b>2004 TOYOTA</b>			
Sequoia	4.7L V8 F/I	77-9027KP <sup>2</sup>	8.7 @ 5465	4 Runner	4.0L V6 F/I	77-9023KP <sup>2</sup>	7.9 @ 5189
		63-9027 <sup>2</sup>	9.5 @ 5472			63-9023 <sup>2</sup>	9.2 @ 5388
		57-9027 <sup>1</sup>	9.6 @ 4306	4 Runner	4.7L V8 F/I	77-9022KP <sup>2</sup>	12.8 @ 5007
Solara	2.4L L4 F/I	69-8609TTK <sup>2</sup>	6.4 @ 5600			63-9022 <sup>2</sup>	13.5 @ 5011
Tacoma	2.7L L4 F/I	77-9026KP <sup>2</sup>	5.7 @ 4600	Avensis	1.8L L4 F/I	69-8754TR <sup>2</sup>	
		63-9026 <sup>2</sup>	7.4 @ 4600			69-8754TP <sup>2</sup>	
Tacoma	4.0L V6 F/I	77-9025KP <sup>2</sup>	10.2 @ 5174	Avensis	2.0L L4 F/I	69-8754TR <sup>2</sup>	
		63-9025 <sup>2</sup>	10.3 @ 4979			69-8754TP <sup>2</sup>	
Tundra	4.0L V6 F/I	77-9028KP <sup>2</sup>	8.3 @ 5159	Camry	2.4L L4 F/I	69-8609TTK <sup>2</sup>	6.4 @ 5600
		63-9028 <sup>2</sup>	11.4 @ 5159	Celica	1.8L L4 F/I - 143BHP	69-8750TS <sup>2</sup>	
Tundra	4.7L V8 F/I	77-9027KP <sup>2</sup>	8.7 @ 5465			69-8750TR <sup>2</sup>	
		63-9027 <sup>2</sup>	9.5 @ 5472	Celica	1.8L L4 F/I - 192BHP	69-8752TS <sup>2</sup>	
		57-9027 <sup>1</sup>	9.6 @ 4306			69-8752TR <sup>2</sup>	
Yaris	1.5L L4 F/I	69-8612TFK <sup>2</sup>	4.6 @ 5089			69-8752TB <sup>2</sup>	
<b>2005 TOYOTA</b>				Celica GT	1.8L L4 F/I	69-8520TS <sup>1</sup>	5.9 @ 6400
4 Runner	4.0L V6 F/I	77-9023KP <sup>2</sup>	7.9 @ 5189			69-8520TR <sup>1</sup>	5.9 @ 6400
		63-9023 <sup>2</sup>	9.2 @ 5388	Celica GTS	1.8L L4 F/I	69-8522TS <sup>1</sup>	7.5 @ 6362
4 Runner	4.7L V8 F/I	77-9029KP <sup>2</sup>	7.4 @ 5270	Corolla	1.4L L4 F/I	69-8754TR <sup>2</sup>	
		63-9029 <sup>2</sup>	12.3 @ 5270			69-8754TP <sup>2</sup>	
Avensis	1.6L L4 F/I	69-8754TR <sup>2</sup>		Corolla	1.6L L4 F/I	69-8754TR <sup>2</sup>	
		69-8754TP <sup>2</sup>				69-8754TP <sup>2</sup>	
Avensis	1.8L L4 F/I	69-8754TR <sup>2</sup>		Corolla	1.8L L4 F/I - Non-US	69-8751TR <sup>2</sup>	
		69-8754TP <sup>2</sup>				69-8751TP <sup>2</sup>	
Avensis	2.0L L4 F/I	69-8754TR <sup>2</sup>		Corolla	1.8L L4 F/I - US	69-8600TR <sup>1</sup>	8.7 @ 6250
		69-8754TP <sup>2</sup>				69-8600TP <sup>1</sup>	8.7 @ 6250
Camry	2.4L L4 F/I	69-8609TTK <sup>2</sup>	6.4 @ 5600	Land Cruiser	4.7L V8 F/I	57-9021 <sup>1</sup>	8.5 @ 4138
Celica	1.8L L4 F/I - 143BHP	69-8750TS <sup>2</sup>		Matrix XR	1.8L L4 F/I	69-8600TR <sup>1</sup>	8.7 @ 6250
		69-8750TR <sup>2</sup>				69-8600TP <sup>1</sup>	8.7 @ 6250
Celica	1.8L L4 F/I - 192BHP	69-8752TS <sup>2</sup>		Matrix XRS	1.8L L4 F/I	69-8601TR <sup>1</sup>	11.9 @ 7700
		69-8752TR <sup>2</sup>				69-8601TP <sup>1</sup>	11.9 @ 7700
		69-8752TB <sup>2</sup>		RAV4 II	2.0L L4 F/I - Non-US	69-8753TS <sup>2</sup>	
Corolla	1.4L L4 F/I	69-8754TR <sup>2</sup>				69-8753TR <sup>2</sup>	
		69-8754TP <sup>2</sup>		Sequoia	4.7L V8 F/I	77-9020KP <sup>1</sup>	10.1 @ 5022
Corolla	1.6L L4 F/I	69-8754TR <sup>2</sup>				57-9020 <sup>1</sup>	13.7 @ 4842
		69-8754TP <sup>2</sup>		Solara	2.4L L4 F/I	69-8609TTK <sup>2</sup>	6.4 @ 5600
Corolla	1.8L L4 F/I - Non-US	69-8751TR <sup>2</sup>		Tacoma	2.4L L4 F/I	77-9016KP <sup>1</sup>	5.4 @ 4365
		69-8751TP <sup>2</sup>				57-9016-1 <sup>1</sup>	6.2 @ 4200
Land Cruiser	4.7L V8 F/I	57-9021 <sup>1</sup>	8.5 @ 4138	Tacoma	2.7L L4 F/I	77-9016KP <sup>1</sup>	5.4 @ 4365
Matrix XRS	1.8L L4 F/I	69-8601TR <sup>2</sup>	11.9 @ 7700			57-9016-1 <sup>1</sup>	6.2 @ 4200
		69-8601TP <sup>2</sup>	11.9 @ 7700	Tacoma	3.4L V6 F/I	77-9015KP <sup>1</sup>	9.3 @ 4620
RAV4 II	2.0L L4 F/I - Non-US	69-8753TS <sup>2</sup>				57-9015-1 <sup>1</sup>	9.5 @ 4842
		69-8753TR <sup>2</sup>		Tundra	3.4L V6 F/I	63-1043 <sup>2</sup>	5.0 @ 4752
Sequoia	4.7L V8 F/I	77-9027KP <sup>2</sup>	8.7 @ 5465	Tundra	4.7L V8 F/I	77-9020KP <sup>2</sup>	10.1 @ 5022
		63-9027 <sup>2</sup>	9.5 @ 5472			63-1058 <sup>2</sup>	13.7 @ 4842
		57-9027 <sup>1</sup>	9.6 @ 4306	Yaris	1.5L L4 F/I - 105BHP	69-8756TP <sup>2</sup>	
Solara	2.4L L4 F/I	69-8609TTK <sup>2</sup>	6.4 @ 5600			69-8756TB <sup>2</sup>	
Tacoma	2.7L L4 F/I	77-9026KP <sup>2</sup>	5.7 @ 4600	<b>2003 TOYOTA</b>			
		63-9026 <sup>2</sup>	7.4 @ 4600	4 Runner	4.0L V6 F/I	77-9023KP <sup>2</sup>	7.9 @ 5189
Tacoma	4.0L V6 F/I	77-9025KP <sup>2</sup>	10.2 @ 5174			63-9023 <sup>2</sup>	9.2 @ 5388

1) Street legal in all US states. 2) Street legal in most states, but not legal for use in California or other states with similar emission control regulations.

\* Estimated horsepower gains are based on specific or similar vehicle dyno tests. Results will vary. See Page 81 for more information.

# Intake Systems

# TOYOTA

Vehicle	Engine Type	Intake Kit	Estimated Horsepower*	Vehicle	Engine Type	Intake Kit	Estimated Horsepower*
<b>2003 TOYOTA</b>				<b>2002 TOYOTA</b>			
<b>4 Runner</b>	4.7L V8 F/I	77-9022KP <sup>2</sup> 63-9022 <sup>2</sup>	12.8 @ 5007 13.5 @ 5011	<b>Corolla</b>	1.6L L4 F/I	69-8754TR <sup>2</sup> 69-8754TP <sup>2</sup>	
<b>Avensis</b>	1.8L L4 F/I	69-8754TR <sup>2</sup> 69-8754TP <sup>2</sup>		<b>Corolla</b>	1.8L L4 F/I	69-8600TR <sup>1</sup> 69-8600TP <sup>1</sup>	8.7 @ 6250 8.7 @ 6250
<b>Avensis</b>	2.0L L4 F/I	69-8754TR <sup>2</sup> 69-8754TP <sup>2</sup>		<b>Corolla</b>	1.8L L4 F/I - Non-US	69-8751TR <sup>2</sup> 69-8751TP <sup>2</sup>	
<b>Camry</b>	2.4L L4 F/I	69-8609TTK <sup>2</sup>	6.4 @ 5600	<b>Land Cruiser</b>	4.7L V8 F/I	57-9021 <sup>1</sup>	8.5 @ 4138
<b>Celica</b>	1.8L L4 F/I - 143BHP	69-8750TS <sup>2</sup> 69-8750TR <sup>2</sup>		<b>RAV4 II</b>	2.0L L4 F/I - Non-US	69-8753TS <sup>2</sup> 69-8753TR <sup>2</sup>	
<b>Celica</b>	1.8L L4 F/I - 192BHP	69-8752TS <sup>2</sup> 69-8752TR <sup>2</sup> 69-8752TB <sup>2</sup>		<b>Sequoia</b>	4.7L V8 F/I	77-9020KP <sup>1</sup> 57-9020 <sup>1</sup>	10.1 @ 5022 13.7 @ 4842
<b>Celica GT</b>	1.8L L4 F/I	69-8520TS <sup>1</sup> 69-8520TR <sup>1</sup>	5.9 @ 6400 5.9 @ 6400	<b>Solara</b>	2.4L L4 F/I	69-8609TTK <sup>2</sup>	6.4 @ 5600
<b>Celica GTS</b>	1.8L L4 F/I	69-8522TS <sup>1</sup>	7.5 @ 6362	<b>Tacoma</b>	2.4L L4 F/I	77-9016KP <sup>1</sup> 57-9016-1 <sup>1</sup>	5.4 @ 4365 6.2 @ 4200
<b>Corolla</b>	1.4L L4 F/I	69-8754TR <sup>2</sup> 69-8754TP <sup>2</sup>		<b>Tacoma</b>	2.7L L4 F/I	77-9016KP <sup>1</sup> 57-9016-1 <sup>1</sup>	5.4 @ 4365 6.2 @ 4200
<b>Corolla</b>	1.6L L4 F/I	69-8754TR <sup>2</sup> 69-8754TP <sup>2</sup>		<b>Tacoma</b>	3.4L V6 F/I	77-9015KP <sup>1</sup> 57-9015-1 <sup>1</sup>	9.3 @ 4620 9.5 @ 4842
<b>Corolla</b>	1.8L L4 F/I - Non-US	69-8751TR <sup>2</sup> 69-8751TP <sup>2</sup>		<b>Tundra</b>	3.4L V6 F/I	57-9019 <sup>1</sup>	5.0 @ 4752
<b>Corolla</b>	1.8L L4 F/I - US	69-8600TR <sup>1</sup> 69-8600TP <sup>1</sup>	8.7 @ 6250 8.7 @ 6250	<b>Tundra</b>	4.7L V8 F/I	77-9020KP <sup>1</sup> 57-9020 <sup>1</sup>	10.1 @ 5022 13.7 @ 4842
<b>Land Cruiser</b>	4.7L V8 F/I	57-9021 <sup>1</sup>	8.5 @ 4138	<b>Yaris</b>	1.5L L4 F/I - 105BHP	69-8756TP <sup>2</sup> 69-8756TB <sup>2</sup>	
<b>Matrix XR</b>	1.8L L4 F/I	69-8600TR <sup>1</sup> 69-8600TP <sup>1</sup>	8.7 @ 6250 8.7 @ 6250	<b>2001 TOYOTA</b>			
<b>Matrix XRS</b>	1.8L L4 F/I	69-8601TR <sup>1</sup> 69-8601TP <sup>1</sup>	11.9 @ 7700 11.9 @ 7700	<b>4 Runner</b>	3.4L V6 F/I	77-9015KP <sup>1</sup> 57-9015-1 <sup>1</sup>	9.3 @ 4620 9.5 @ 4842
<b>RAV4 II</b>	2.0L L4 F/I - Non-US	69-8753TS <sup>2</sup> 69-8753TR <sup>2</sup>		<b>Celica</b>	1.8L L4 F/I - 143BHP	69-8750TS <sup>2</sup> 69-8750TR <sup>2</sup>	
<b>Sequoia</b>	4.7L V8 F/I	77-9020KP <sup>1</sup> 57-9020 <sup>1</sup>	10.1 @ 5022 13.7 @ 4842	<b>Celica</b>	1.8L L4 F/I - 192BHP	69-8752TS <sup>2</sup> 69-8752TR <sup>2</sup> 69-8752TB <sup>2</sup>	
<b>Solara</b>	2.4L L4 F/I	69-8609TTK <sup>2</sup>	6.4 @ 5600	<b>Celica GT</b>	1.8L L4 F/I	69-8520TS <sup>1</sup> 69-8520TR <sup>1</sup>	5.9 @ 6400 5.9 @ 6400
<b>Tacoma</b>	2.4L L4 F/I	77-9016KP <sup>1</sup> 57-9016-1 <sup>1</sup>	5.4 @ 4365 6.2 @ 4200	<b>Celica GTS</b>	1.8L L4 F/I	69-8522TS <sup>1</sup>	7.5 @ 6362
<b>Tacoma</b>	2.7L L4 F/I	77-9016KP <sup>1</sup> 57-9016-1 <sup>1</sup>	5.4 @ 4365 6.2 @ 4200	<b>Corolla</b>	1.6L L4 F/I	69-8754TR <sup>2</sup> 69-8754TP <sup>2</sup>	
<b>Tacoma</b>	3.4L V6 F/I	77-9015KP <sup>1</sup> 57-9015-1 <sup>1</sup>	9.3 @ 4620 9.5 @ 4842	<b>Corolla</b>	1.8L L4 F/I - Non-US	69-8751TR <sup>2</sup> 69-8751TP <sup>2</sup>	
<b>Tundra</b>	3.4L V6 F/I	63-1043 <sup>2</sup>	5.0 @ 4752	<b>Land Cruiser</b>	4.7L V8 F/I	57-9021 <sup>1</sup>	8.5 @ 4138
<b>Tundra</b>	4.7L V8 F/I	77-9020KP <sup>2</sup> 63-1058 <sup>2</sup>	10.1 @ 5022 13.7 @ 4842	<b>RAV4 II</b>	2.0L L4 F/I - Non-US	69-8753TS <sup>2</sup> 69-8753TR <sup>2</sup>	
<b>Yaris</b>	1.5L L4 F/I - 105BHP	69-8756TP <sup>2</sup> 69-8756TB <sup>2</sup>		<b>Sequoia</b>	4.7L V8 F/I	77-9020KP <sup>1</sup> 57-9017 <sup>1</sup>	10.1 @ 5022 11.7 @ 5108
<b>2002 TOYOTA</b>				<b>Tacoma</b>	2.4L L4 F/I	77-9016KP <sup>1</sup> 57-9016-1 <sup>1</sup>	5.4 @ 4365 6.2 @ 4200
<b>4 Runner</b>	3.4L V6 F/I	77-9015KP <sup>1</sup> 57-9015-1 <sup>1</sup>	9.3 @ 4620 9.5 @ 4842	<b>Tacoma</b>	2.7L L4 F/I	77-9016KP <sup>1</sup> 57-9016-1 <sup>1</sup>	5.4 @ 4365 6.2 @ 4200
<b>Camry</b>	2.4L L4 F/I	69-8609TTK <sup>2</sup>	6.4 @ 5600	<b>Tacoma</b>	3.4L V6 F/I	77-9015KP <sup>1</sup> 57-9015-1 <sup>1</sup>	9.3 @ 4620 9.5 @ 4842
<b>Celica</b>	1.8L L4 F/I - 143BHP	69-8750TS <sup>2</sup> 69-8750TR <sup>2</sup>		<b>Tundra</b>	3.4L V6 F/I	57-9019 <sup>1</sup>	5.0 @ 4752
<b>Celica</b>	1.8L L4 F/I - 192BHP	69-8752TS <sup>2</sup> 69-8752TR <sup>2</sup> 69-8752TB <sup>2</sup>		<b>Tundra</b>	4.7L V8 F/I	77-9020KP <sup>1</sup> 57-9014-1 <sup>1</sup>	10.1 @ 5022 14.2 @ 5027
<b>Celica GT</b>	1.8L L4 F/I	69-8520TS <sup>1</sup> 69-8520TR <sup>1</sup>	5.9 @ 6400 5.9 @ 6400	<b>Yaris</b>	1.5L L4 F/I - 105BHP	69-8756TP <sup>2</sup> 69-8756TB <sup>2</sup>	
<b>Celica GTS</b>	1.8L L4 F/I	69-8522TS <sup>1</sup>	7.5 @ 6362	<b>2000 TOYOTA</b>			
<b>Corolla</b>	1.4L L4 F/I	69-8754TR <sup>2</sup> 69-8754TP <sup>2</sup>		<b>4 Runner</b>	2.7L L4 F/I	77-9016KP <sup>1</sup> 57-9016-1 <sup>1</sup>	5.4 @ 4365 6.2 @ 4200
				<b>4 Runner</b>	3.4L V6 F/I	77-9015KP <sup>1</sup>	9.3 @ 4620

1) Street legal in all US states. 2) Street legal in most states, but not legal for use in California or other states with similar emission control regulations.

\* Estimated horsepower gains are based on specific or similar vehicle dyno tests. Results will vary. See Page 81 for more information. Partial Listing - Complete List of Vehicles and Applications at knfilters.com. See page 82 for information on intake tube materials/colors.

# TOYOTA

# Intake Systems

Vehicle	Engine Type	Intake Kit	Estimated Horsepower*	Vehicle	Engine Type	Intake Kit	Estimated Horsepower*
<b>2000 TOYOTA</b>				<b>1995 TOYOTA</b>			
4 Runner	3.4L V6 F/I	57-9015-1 <sup>1</sup>	9.5 @ 4842	4 Runner	2.4L L4 F/I	57-9008 <sup>1</sup>	5.1 @ 4700
Celica	1.8L L4 F/I - 143BHP	69-8750TS <sup>2</sup>		4 Runner	3.0L V6 F/I	57-9006 <sup>1</sup>	3.3 @ 4405
		69-8750TR <sup>2</sup>		MR2	2.0L L4 F/I	57-9001 <sup>1</sup>	6.1 @ 5500
Celica	1.8L L4 F/I - 192BHP	69-8752TS <sup>2</sup>		Pickup	2.4L L4 F/I	57-9008 <sup>1</sup>	5.1 @ 4700
		69-8752TR <sup>2</sup>		Pickup	3.0L V6 F/I	57-9006 <sup>1</sup>	3.3 @ 4405
Celica GT	1.8L L4 F/I	69-8520TS <sup>1</sup>	5.9 @ 6400	Supra	3.0L L6 F/I - Turbo	57-9004 <sup>1</sup>	8.3 @ 5306
		69-8520TR <sup>1</sup>	5.9 @ 6400	T100	3.4L V6 F/I	57-9024 <sup>1</sup>	9.1 @ 4847
Celica GTS	1.8L L4 F/I	69-8522TS <sup>1</sup>	7.5 @ 6362	Tacoma	2.4L L4 F/I	57-9012 <sup>1</sup>	5.7 @ 4727
Land Cruiser	4.7L V8 F/I	57-9021 <sup>1</sup>	8.5 @ 4138	Tacoma	2.7L L4 F/I	57-9012 <sup>1</sup>	5.7 @ 4727
RAV4 II	2.0L L4 F/I - Non-US	69-8753TS <sup>2</sup>		Tacoma	3.4L V6 F/I	57-9013 <sup>1</sup>	6.2 @ 4848
		69-8753TR <sup>2</sup>		<b>1994 TOYOTA</b>			
Tacoma	2.4L L4 F/I	77-9016KP <sup>1</sup>	5.4 @ 4365	4 Runner	2.4L L4 F/I	57-9008 <sup>1</sup>	5.1 @ 4700
		57-9016-1 <sup>1</sup>	6.2 @ 4200	4 Runner	3.0L V6 F/I	57-9006 <sup>1</sup>	3.3 @ 4405
Tacoma	2.7L L4 F/I	77-9016KP <sup>1</sup>	5.4 @ 4365	MR2	2.0L L4 F/I	57-9001 <sup>1</sup>	6.1 @ 5500
		57-9016-1 <sup>1</sup>	6.2 @ 4200	Pickup	2.4L L4 F/I	57-9008 <sup>1</sup>	5.1 @ 4700
Tacoma	3.4L V6 F/I	77-9015KP <sup>1</sup>	9.3 @ 4620	Pickup	3.0L V6 F/I	57-9006 <sup>1</sup>	3.3 @ 4405
		57-9015-1 <sup>1</sup>	9.5 @ 4842	Supra	3.0L L6 F/I - Turbo	57-9004 <sup>1</sup>	8.3 @ 5306
Tundra	3.4L V6 F/I	57-9019 <sup>1</sup>	5.0 @ 4752	<b>1993 TOYOTA</b>			
Tundra	4.7L V8 F/I	77-9020KP <sup>1</sup>	10.1 @ 5022	4 Runner	2.4L L4 F/I	57-9008 <sup>1</sup>	5.1 @ 4700
		57-9014-1 <sup>1</sup>	14.2 @ 5027	4 Runner	3.0L V6 F/I	57-9006 <sup>1</sup>	3.3 @ 4405
Yaris	1.3L L4 F/I	69-8606TP <sup>2</sup>	4.4 @ 4925	MR2	2.0L L4 F/I	57-9001 <sup>1</sup>	6.1 @ 5500
		69-8606TB <sup>2</sup>	4.4 @ 4925	Pickup	2.4L L4 F/I	57-9008 <sup>1</sup>	5.1 @ 4700
<b>1999 TOYOTA</b>				Pickup	3.0L V6 F/I	57-9006 <sup>1</sup>	3.3 @ 4405
4 Runner	2.7L L4 F/I	57-9012 <sup>1</sup>	5.7 @ 4727	Supra	3.0L L6 F/I - Turbo	57-9004 <sup>1</sup>	8.3 @ 5306
4 Runner	3.4L V6 F/I	77-9015KP <sup>1</sup>	9.3 @ 4620	<b>1992 TOYOTA</b>			
		57-9015-1 <sup>1</sup>	9.5 @ 4842	4 Runner	2.4L L4 F/I	57-9008 <sup>1</sup>	5.1 @ 4700
Celica	1.8L L4 F/I - 143BHP	69-8750TS <sup>2</sup>		4 Runner	3.0L V6 F/I	57-9006 <sup>1</sup>	3.3 @ 4405
		69-8750TR <sup>2</sup>		MR2	2.0L L4 F/I	57-9001 <sup>1</sup>	6.1 @ 5500
Land Cruiser	4.7L V8 F/I	57-9021 <sup>1</sup>	8.5 @ 4138	Pickup	2.4L L4 F/I	57-9008 <sup>1</sup>	5.1 @ 4700
Tacoma	2.4L L4 F/I	57-9012 <sup>1</sup>	5.7 @ 4727	Pickup	3.0L V6 F/I	57-9006 <sup>1</sup>	3.3 @ 4405
Tacoma	2.7L L4 F/I	57-9012 <sup>1</sup>	5.7 @ 4727	Supra	3.0L L6 F/I - exc. Turbo	57-9005 <sup>1</sup>	
Tacoma	3.4L V6 F/I	77-9015KP <sup>1</sup>	9.3 @ 4620	Supra	3.0L L6 F/I - Turbo	57-9004 <sup>1</sup>	8.3 @ 5306
		57-9015-1 <sup>1</sup>	9.5 @ 4842	<b>1991 TOYOTA</b>			
Yaris	1.3L L4 F/I	69-8606TP <sup>2</sup>	4.4 @ 4925	4 Runner	2.4L L4 F/I	57-9008 <sup>1</sup>	5.1 @ 4700
		69-8606TB <sup>2</sup>	4.4 @ 4925	4 Runner	3.0L V6 F/I	57-9006 <sup>1</sup>	3.3 @ 4405
<b>1998 TOYOTA</b>				MR2	2.0L L4 F/I	57-9001 <sup>1</sup>	6.1 @ 5500
4 Runner	2.7L L4 F/I	57-9012 <sup>1</sup>	5.7 @ 4727	Pickup	2.4L L4 F/I	57-9008 <sup>1</sup>	5.1 @ 4700
4 Runner	3.4L V6 F/I	57-9013 <sup>1</sup>	6.2 @ 4848	Pickup	3.0L V6 F/I	57-9006 <sup>1</sup>	3.3 @ 4405
T100	3.4L V6 F/I	57-9024 <sup>1</sup>	9.1 @ 4847	Supra	3.0L L6 F/I - exc. Turbo	57-9005 <sup>1</sup>	
Tacoma	2.4L L4 F/I	57-9012 <sup>1</sup>	5.7 @ 4727	Supra	3.0L L6 F/I - Turbo	57-9004 <sup>1</sup>	8.3 @ 5306
Tacoma	2.7L L4 F/I	57-9012 <sup>1</sup>	5.7 @ 4727	<b>1990 TOYOTA</b>			
Tacoma	3.4L V6 F/I	57-9013 <sup>1</sup>	6.2 @ 4848	4 Runner	2.4L L4 F/I	57-9008 <sup>1</sup>	5.1 @ 4700
<b>1997 TOYOTA</b>				4 Runner	3.0L V6 F/I	57-9006 <sup>1</sup>	3.3 @ 4405
4 Runner	2.7L L4 F/I	57-9012 <sup>1</sup>	5.7 @ 4727	MR2	2.0L L4 F/I - Turbo	57-9001 <sup>1</sup>	6.1 @ 5500
4 Runner	3.4L V6 F/I	57-9013 <sup>1</sup>	6.2 @ 4848	Pickup	2.4L L4 F/I	57-9008 <sup>1</sup>	5.1 @ 4700
T100	3.4L V6 F/I	57-9024 <sup>1</sup>	9.1 @ 4847	Pickup	3.0L V6 F/I	57-9006 <sup>1</sup>	3.3 @ 4405
Tacoma	2.4L L4 F/I	57-9012 <sup>1</sup>	5.7 @ 4727	Supra	3.0L L6 F/I - exc. Turbo	57-9005 <sup>1</sup>	
Tacoma	2.7L L4 F/I	57-9012 <sup>1</sup>	5.7 @ 4727	Supra	3.0L L6 F/I - Turbo	57-9004 <sup>1</sup>	8.3 @ 5306
Tacoma	3.4L V6 F/I	57-9013 <sup>1</sup>	6.2 @ 4848	<b>1989 TOYOTA</b>			
<b>1996 TOYOTA</b>				4 Runner	2.4L L4 F/I	57-9008 <sup>1</sup>	5.1 @ 4700
4 Runner	2.7L L4 F/I	57-9012 <sup>1</sup>	5.7 @ 4727	4 Runner	3.0L V6 F/I	57-9006 <sup>1</sup>	3.3 @ 4405
4 Runner	3.4L V6 F/I	57-9013 <sup>1</sup>	6.2 @ 4848	Pickup	2.4L L4 F/I	57-9008 <sup>1</sup>	5.1 @ 4700
T100	3.4L V6 F/I	57-9024 <sup>1</sup>	9.1 @ 4847	Pickup	3.0L V6 F/I	57-9006 <sup>1</sup>	3.3 @ 4405
Tacoma	2.4L L4 F/I	57-9012 <sup>1</sup>	5.7 @ 4727	Supra	3.0L L6 F/I - exc. Turbo	57-9005 <sup>1</sup>	
Tacoma	2.7L L4 F/I	57-9012 <sup>1</sup>	5.7 @ 4727	Supra	3.0L L6 F/I - Turbo	57-9004 <sup>1</sup>	8.3 @ 5306
Tacoma	3.4L V6 F/I	57-9013 <sup>1</sup>	6.2 @ 4848				

1) Street legal in all US states. 2) Street legal in most states, but not legal for use in California or other states with similar emission control regulations.

\* Estimated horsepower gains are based on specific or similar vehicle dyno tests. Results will vary. See Page 81 for more information.

# Intake Systems

# TOYOTA

Vehicle	Engine Type	Intake Kit	Estimated Horsepower*	Vehicle	Engine Type	Intake Kit	Estimated Horsepower*
<b>1988 TOYOTA</b>				<b>2009 VOLKSWAGEN</b>			
4 Runner	2.4L L4 F/I	57-9008 <sup>1</sup>	5.1 @ 4700	Passat	2.0L L4 F/I - US	69-9504TTK <sup>2</sup>	9.2 @ 4853
4 Runner	3.0L V6 F/I	57-9006 <sup>1</sup>	3.3 @ 4405	Scirocco	2.0L L4 DSL	69-9756TFK <sup>2</sup>	
Pickup	2.4L L4 F/I	57-9008 <sup>1</sup>	5.1 @ 4700	Scirocco	2.0L L4 F/I - 211BHP	69-9756TFK <sup>2</sup>	
Pickup	3.0L V6 F/I	57-9006 <sup>1</sup>	3.3 @ 4405	Touran	1.9L L4 DSL	69-9756TFK <sup>2</sup>	
Supra	3.0L L6 F/I - exc. Turbo	57-9005 <sup>1</sup>		Touran	2.0L L4 DSL	69-9756TFK <sup>2</sup>	
Supra	3.0L L6 F/I - Turbo	57-9004 <sup>1</sup>	8.3 @ 5306	<b>2008 VOLKSWAGEN</b>			
<b>1987 TOYOTA</b>				Eos	2.0L L4 DSL	69-9756TFK <sup>2</sup>	
Corolla	1.6L L4 F/I	57-9000 <sup>1</sup>		Eos	2.0L L4 F/I - 150BHP	69-9754TS <sup>2</sup>	
Corolla Sport GTS	1.6L L4 F/I	57-9000 <sup>1</sup>		Eos	2.0L L4 F/I - 200BHP	69-9503TFK <sup>2</sup>	18.6 @ 4500
Supra	3.0L L6 F/I - exc. Turbo	57-9005 <sup>1</sup>		Golf Plus	1.9L L4 DSL	69-9756TFK <sup>2</sup>	
Supra	3.0L L6 F/I - Turbo	57-9004 <sup>1</sup>	8.3 @ 5306	Golf Plus	2.0L L4 DSL	69-9756TFK <sup>2</sup>	
<b>1986 TOYOTA</b>				Golf V	1.9L L4 DSL	69-9756TFK <sup>2</sup>	
Corolla	1.6L L4 F/I	57-9000 <sup>1</sup>		Golf V	2.0L L4 DSL	69-9756TFK <sup>2</sup>	
Supra	3.0L L6 F/I	57-9005 <sup>1</sup>		Golf V	2.0L L4 F/I - 200BHP	69-9503TFK <sup>2</sup>	18.6 @ 4500
<b>1985 TOYOTA</b>				Golf V GTI	2.0L L4 F/I	69-9503TFK <sup>2</sup>	18.6 @ 4500
Corolla	1.6L L4 F/I	57-9000 <sup>1</sup>		Golf VI	2.0L L4 DSL	69-9756TFK <sup>2</sup>	
<b>2011 VOLKSWAGEN</b>				GTI	2.0L L4 F/I	69-9503TFK <sup>2</sup>	18.6 @ 4500
CC	2.0L L4 F/I - US	69-9504TTK <sup>2</sup>	9.2 @ 4853	Jetta V	1.9L L4 DSL	69-9756TFK <sup>2</sup>	
Eos	2.0L L4 F/I	69-9504TTK <sup>2</sup>	9.2 @ 4853	Jetta V	2.0L L4 DSL	69-9756TFK <sup>2</sup>	
Golf Plus	1.6L L4 DSL	69-9756TFK <sup>2</sup>		Jetta V	2.0L L4 F/I - 150BHP	69-9754TS <sup>2</sup>	
Golf Plus	2.0L L4 DSL	69-9756TFK <sup>2</sup>		Jetta V	2.0L L4 F/I - 200BHP	69-9503TFK <sup>2</sup>	18.6 @ 4500
Golf VI	1.6L L4 DSL	69-9756TFK <sup>2</sup>		Passat	1.8L L4 F/I	69-9756TFK <sup>2</sup>	
Golf VI	1.6L L4 DSL	69-9756TFK <sup>2</sup>		Passat	1.9L L4 DSL	69-9756TFK <sup>2</sup>	
Golf VI	1.8L L4 F/I	69-9756TFK <sup>2</sup>		Passat	2.0L L4 DSL	69-9756TFK <sup>2</sup>	
Golf VI	2.0L L4 DSL	69-9756TFK <sup>2</sup>		Passat	2.0L L4 F/I - 200BHP	69-9503TFK <sup>2</sup>	18.6 @ 4500
Golf VI	2.0L L4 F/I - 211BHP	69-9756TFK <sup>2</sup>		Scirocco	2.0L L4 DSL	69-9756TFK <sup>2</sup>	
GTI	2.0L L4 F/I - US	69-9504TTK <sup>2</sup>	9.2 @ 4853	Scirocco	2.0L L4 F/I - 211BHP	69-9756TFK <sup>2</sup>	
<b>2010 VOLKSWAGEN</b>				Touran	1.9L L4 DSL	69-9756TFK <sup>2</sup>	
CC	2.0L L4 F/I - US	69-9504TTK <sup>2</sup>	9.2 @ 4853	Touran	2.0L L4 DSL	69-9756TFK <sup>2</sup>	
Eos	2.0L L4 F/I - US	69-9504TTK <sup>2</sup>	9.2 @ 4853	<b>2007 VOLKSWAGEN</b>			
Golf Plus	1.6L L4 DSL	69-9756TFK <sup>2</sup>		Eos	2.0L L4 DSL	69-9756TFK <sup>2</sup>	
Golf Plus	2.0L L4 DSL	69-9756TFK <sup>2</sup>		Eos	2.0L L4 F/I - 150BHP	69-9754TS <sup>2</sup>	
Golf VI	1.6L L4 DSL	69-9756TFK <sup>2</sup>		Eos	2.0L L4 F/I - 200BHP	69-9503TFK <sup>2</sup>	18.6 @ 4500
Golf VI	1.8L L4 F/I	69-9756TFK <sup>2</sup>		Golf Plus	1.9L L4 DSL	69-9756TFK <sup>2</sup>	
Golf VI	2.0L L4 DSL	69-9756TFK <sup>2</sup>		Golf Plus	2.0L L4 DSL	69-9756TFK <sup>2</sup>	
Golf VI	2.0L L4 F/I - 211BHP	69-9756TFK <sup>2</sup>		Golf Plus	2.0L L4 F/I	69-9754TS <sup>2</sup>	
GTI	2.0L L4 F/I - US	69-9504TTK <sup>2</sup>	9.2 @ 4853	Golf V	1.9L L4 DSL	69-9756TFK <sup>2</sup>	
Jetta GLi	2.0L L4 F/I - US	69-9504TTK <sup>2</sup>	9.2 @ 4853	Golf V	2.0L L4 DSL	69-9756TFK <sup>2</sup>	
Passat	2.0L L4 F/I - US	69-9504TTK <sup>2</sup>	9.2 @ 4853	Golf V	2.0L L4 F/I - 150BHP	69-9754TS <sup>2</sup>	
Touran	1.9L L4 DSL	69-9756TFK <sup>2</sup>		Golf V	2.0L L4 F/I - 200BHP	69-9503TFK <sup>2</sup>	18.6 @ 4500
Touran	2.0L L4 DSL	69-9756TFK <sup>2</sup>		Golf V GTI	2.0L L4 F/I	69-9503TFK <sup>2</sup>	18.6 @ 4500
<b>2009 VOLKSWAGEN</b>				GTI	2.0L L4 F/I	69-9503TFK <sup>2</sup>	18.6 @ 4500
CC	2.0L L4 F/I - US	69-9504TTK <sup>2</sup>	9.2 @ 4853	Jetta GLi	2.0L L4 F/I	69-9503TFK <sup>2</sup>	18.6 @ 4500
Eos	2.0L L4 DSL	69-9756TFK <sup>2</sup>		Jetta V	1.9L L4 DSL	69-9756TFK <sup>2</sup>	
Eos	2.0L L4 F/I - US	69-9504TTK <sup>2</sup>	9.2 @ 4853	Jetta V	2.0L L4 DSL	69-9756TFK <sup>2</sup>	
Golf V	1.9L L4 DSL	69-9756TFK <sup>2</sup>		Jetta V	2.0L L4 F/I - 150BHP	69-9754TS <sup>2</sup>	
Golf V	2.0L L4 DSL	69-9756TFK <sup>2</sup>		Jetta V	2.0L L4 F/I - 200BHP	69-9503TFK <sup>2</sup>	18.6 @ 4500
Golf VI	1.8L L4 F/I	69-9756TFK <sup>2</sup>		Passat	1.9L L4 DSL	69-9756TFK <sup>2</sup>	
Golf VI	2.0L L4 DSL	69-9756TFK <sup>2</sup>		Passat	2.0L L4 DSL	69-9756TFK <sup>2</sup>	
Golf VI	2.0L L4 F/I - 211BHP	69-9756TFK <sup>2</sup>		Passat	2.0L L4 F/I - 200BHP	69-9503TFK <sup>2</sup>	18.6 @ 4500
GTI	2.0L L4 F/I - US	69-9504TTK <sup>2</sup>	9.2 @ 4853	Touran	1.9L L4 DSL	69-9756TFK <sup>2</sup>	
Jetta GLi	2.0L L4 F/I - US	69-9504TTK <sup>2</sup>	9.2 @ 4853	Touran	2.0L L4 DSL	69-9756TFK <sup>2</sup>	
Jetta V	1.9L L4 DSL	69-9756TFK <sup>2</sup>		<b>2006 VOLKSWAGEN</b>			
Jetta V	2.0L L4 DSL	69-9756TFK <sup>2</sup>		Eos	2.0L L4 DSL	69-9756TFK <sup>2</sup>	
Passat	1.8L L4 F/I	69-9756TFK <sup>2</sup>		Eos	2.0L L4 F/I - 150BHP	69-9754TS <sup>2</sup>	
Passat	1.9L L4 DSL	69-9756TFK <sup>2</sup>		Eos	2.0L L4 F/I - 200BHP	69-9503TFK <sup>2</sup>	18.6 @ 4500
Passat	2.0L L4 DSL	69-9756TFK <sup>2</sup>		Golf Plus	1.9L L4 DSL	69-9756TFK <sup>2</sup>	
				Golf Plus	2.0L L4 DSL	69-9756TFK <sup>2</sup>	

1) Street legal in all US states. 2) Street legal in most states, but not legal for use in California or other states with similar emission control regulations.

\* Estimated horsepower gains are based on specific or similar vehicle dyno tests. Results will vary. See Page 81 for more information. Partial Listing - Complete List of Vehicles and Applications at knfilters.com. See page 82 for information on intake tube materials/colors.

# VOLKSWAGEN

# Intake Systems

Vehicle	Engine Type	Intake Kit	Estimated Horsepower*	Vehicle	Engine Type	Intake Kit	Estimated Horsepower*
<b>2006 VOLKSWAGEN</b>				<b>2004 VOLKSWAGEN</b>			
Golf Plus	2.0L L4 F/I	69-9754TS <sup>2</sup>		Golf IV	1.6L L4 F/I - 102/105BHP	69-9751TS <sup>2</sup>	
Golf V	1.9L L4 DSL	69-9756TFK <sup>2</sup>				69-9751TB <sup>2</sup>	
Golf V	2.0L L4 DSL	69-9756TFK <sup>2</sup>		Golf IV	1.8L L4 F/I - 150BHP, w/AAP	69-9501TP <sup>2</sup>	10.0 @ 5079
Golf V	2.0L L4 F/I - 150BHP	69-9754TS <sup>2</sup>				69-9501TB <sup>2</sup>	10.0 @ 5079
Golf V	2.0L L4 F/I - 200BHP	69-9503TFK <sup>2</sup>	18.6 @ 4500	Golf IV	2.0L L4 F/I	69-9501TP <sup>2</sup>	10.0 @ 5079
Golf V GTI	2.0L L4 F/I	69-9503TFK <sup>2</sup>	18.6 @ 4500			69-9501TB <sup>2</sup>	10.0 @ 5079
GTI	2.0L L4 F/I	69-9503TFK <sup>2</sup>	18.6 @ 4500	Golf IV	2.8L V6 F/I	69-8250TWR <sup>2</sup>	
Jetta GLi	2.0L L4 F/I	69-9503TFK <sup>2</sup>	18.6 @ 4500			69-8250TS <sup>2</sup>	
Jetta V	1.9L L4 DSL	69-9756TFK <sup>2</sup>		Golf IV GTI	1.8L L4 F/I - w/AAP	69-9501TP <sup>2</sup>	10.0 @ 5079
Jetta V	2.0L L4 DSL	69-9756TFK <sup>2</sup>				69-9501TB <sup>2</sup>	10.0 @ 5079
Jetta V	2.0L L4 F/I - 150BHP	69-9754TS <sup>2</sup>		Golf Plus	2.0L L4 DSL	69-9756TFK <sup>2</sup>	
Jetta V	2.0L L4 F/I - 200BHP	69-9503TFK <sup>2</sup>	18.6 @ 4500	Golf R32	3.2L V6 F/I	69-9502TP <sup>2</sup>	17.7 @ 5684
Passat	1.9L L4 DSL	69-9756TFK <sup>2</sup>				69-9502TB <sup>2</sup>	17.7 @ 5684
Passat	2.0L L4 DSL	69-9756TFK <sup>2</sup>		Golf V	1.9L L4 DSL	69-9756TFK <sup>2</sup>	
Passat	2.0L L4 F/I - 200BHP	69-9503TFK <sup>2</sup>	18.6 @ 4500	Golf V	2.0L L4 DSL	69-9756TFK <sup>2</sup>	
Touran	1.9L L4 DSL	69-9756TFK <sup>2</sup>		Golf V	2.0L L4 F/I - 150BHP	69-9754TS <sup>2</sup>	
Touran	2.0L L4 DSL	69-9756TFK <sup>2</sup>		Golf V	2.0L L4 F/I - 200BHP	69-9503TFK <sup>2</sup>	18.6 @ 4500
<b>2005 VOLKSWAGEN</b>				Golf V GTI	2.0L L4 F/I	69-9503TFK <sup>2</sup>	18.6 @ 4500
Bora	1.8L L4 F/I - 180BHP	69-9501TP <sup>2</sup>	10.0 @ 5079	Jetta	1.8L L4 F/I	69-9501TP <sup>2</sup>	10.0 @ 5079
		69-9501TB <sup>2</sup>	10.0 @ 5079			69-9501TB <sup>2</sup>	10.0 @ 5079
Bora	2.0L L4 F/I - w/AAP	69-9501TP <sup>2</sup>	10.0 @ 5079	Jetta	2.0L L4 F/I	69-9501TP <sup>2</sup>	10.0 @ 5079
		69-9501TB <sup>2</sup>	10.0 @ 5079			69-9501TB <sup>2</sup>	10.0 @ 5079
Golf	2.0L L4 F/I	69-9501TP <sup>2</sup>	10.0 @ 5079	Touran	1.9L L4 DSL	69-9756TFK <sup>2</sup>	
		69-9501TB <sup>2</sup>	10.0 @ 5079	Touran	2.0L L4 DSL	69-9756TFK <sup>2</sup>	
Golf GTI	1.8L L4 F/I	69-9501TP <sup>2</sup>	10.0 @ 5079	<b>2003 VOLKSWAGEN</b>			
		69-9501TB <sup>2</sup>	10.0 @ 5079	Bora	1.6L L4 F/I - 105BHP	69-9751TS <sup>2</sup>	
Golf Plus	1.9L L4 DSL	69-9756TFK <sup>2</sup>				69-9751TB <sup>2</sup>	
Golf Plus	2.0L L4 DSL	69-9756TFK <sup>2</sup>		Bora	1.8L L4 F/I - 180BHP	69-9501TP <sup>2</sup>	10.0 @ 5079
Golf Plus	2.0L L4 F/I	69-9754TS <sup>2</sup>				69-9501TB <sup>2</sup>	10.0 @ 5079
Golf V	1.9L L4 DSL	69-9756TFK <sup>2</sup>		Bora	2.8L V6 F/I	69-8250TWR <sup>2</sup>	
Golf V	2.0L L4 DSL	69-9756TFK <sup>2</sup>				69-8250TS <sup>2</sup>	
Golf V	2.0L L4 F/I - 150BHP	69-9754TS <sup>2</sup>		Golf	2.0L L4 F/I - US	69-9501TP <sup>2</sup>	10.0 @ 5079
Golf V	2.0L L4 F/I - 200BHP	69-9503TFK <sup>2</sup>	18.6 @ 4500			69-9501TB <sup>2</sup>	10.0 @ 5079
Golf V GTI	2.0L L4 F/I	69-9503TFK <sup>2</sup>	18.6 @ 4500	Golf GTI	1.8L L4 F/I - US	69-9501TP <sup>2</sup>	10.0 @ 5079
Jetta V	1.9L L4 DSL	69-9756TFK <sup>2</sup>				69-9501TB <sup>2</sup>	10.0 @ 5079
Jetta V	2.0L L4 DSL	69-9756TFK <sup>2</sup>		Golf IV	1.4L L4 F/I	69-9751TS <sup>2</sup>	
Jetta V	2.0L L4 F/I - 150BHP	69-9754TS <sup>2</sup>				69-9751TB <sup>2</sup>	
Jetta V	2.0L L4 F/I - 200BHP	69-9503TFK <sup>2</sup>	18.6 @ 4500	Golf IV	1.6L L4 F/I - 102/105BHP	69-9751TS <sup>2</sup>	
Passat	1.9L L4 DSL - 3C Model	69-9756TFK <sup>2</sup>				69-9751TB <sup>2</sup>	
Passat	2.0L L4 DSL - 3C Model	69-9756TFK <sup>2</sup>		Golf IV	1.8L L4 F/I - 150BHP, w/AAP	69-9501TP <sup>2</sup>	10.0 @ 5079
Passat	2.0L L4 F/I - 200BHP, 3C Model	69-9503TFK <sup>2</sup>	18.6 @ 4500			69-9501TB <sup>2</sup>	10.0 @ 5079
Touran	1.9L L4 DSL	69-9756TFK <sup>2</sup>		Golf IV	2.0L L4 F/I	69-9501TP <sup>2</sup>	10.0 @ 5079
Touran	2.0L L4 DSL	69-9756TFK <sup>2</sup>				69-9501TB <sup>2</sup>	10.0 @ 5079
<b>2004 VOLKSWAGEN</b>				Golf IV	2.3L L5 F/I - 170BHP	69-8250TWR <sup>2</sup>	
Bora	1.6L L4 F/I - 105BHP	69-9751TS <sup>2</sup>				69-8250TS <sup>2</sup>	
		69-9751TB <sup>2</sup>		Golf IV	2.8L V6 F/I	69-8250TWR <sup>2</sup>	
Bora	1.8L L4 F/I - 180BHP	69-9501TP <sup>2</sup>	10.0 @ 5079			69-8250TS <sup>2</sup>	
		69-9501TB <sup>2</sup>	10.0 @ 5079	Golf IV	3.2L V6 F/I	69-9502TP <sup>2</sup>	17.7 @ 5684
Bora	2.0L L4 F/I - w/AAP	69-9501TP <sup>2</sup>	10.0 @ 5079			69-9502TB <sup>2</sup>	17.7 @ 5684
		69-9501TB <sup>2</sup>	10.0 @ 5079	Golf IV GTI	1.8L L4 F/I - w/AAP	69-9501TP <sup>2</sup>	10.0 @ 5079
Golf	2.0L L4 F/I - US	69-9501TP <sup>2</sup>	10.0 @ 5079			69-9501TB <sup>2</sup>	10.0 @ 5079
		69-9501TB <sup>2</sup>	10.0 @ 5079	Golf V	1.9L L4 DSL	69-9756TFK <sup>2</sup>	
Golf GTI	1.8L L4 F/I - US	69-9501TP <sup>2</sup>	10.0 @ 5079	Golf V	2.0L L4 DSL	69-9756TFK <sup>2</sup>	
		69-9501TB <sup>2</sup>	10.0 @ 5079	Jetta	1.8L L4 F/I	69-9501TP <sup>2</sup>	10.0 @ 5079
Golf IV	1.4L L4 F/I	69-9751TS <sup>2</sup>					
		69-9751TB <sup>2</sup>					

1) Street legal in all US states. 2) Street legal in most states, but not legal for use in California or other states with similar emission control regulations.

\* Estimated horsepower gains are based on specific or similar vehicle dyno tests. Results will vary. See Page 81 for more information.

# Intake Systems

# VOLKSWAGEN

Vehicle	Engine Type	Intake Kit	Estimated Horsepower*	Vehicle	Engine Type	Intake Kit	Estimated Horsepower*
<b>2003 VOLKSWAGEN</b>				<b>2001 VOLKSWAGEN</b>			
Jetta	1.8L L4 F/I	69-9501TB <sup>2</sup>	10.0 @ 5079	Golf IV	1.6L L4 F/I - 102/105BHP	69-9751TS <sup>2</sup>	
Jetta	2.0L L4 F/I	69-9501TP <sup>2</sup>	10.0 @ 5079			69-9751TB <sup>2</sup>	
		69-9501TB <sup>2</sup>	10.0 @ 5079	Golf IV	1.8L L4 F/I - 150BHP, w/AAP	69-9501TP <sup>2</sup>	10.0 @ 5079
Touran	1.9L L4 DSL	69-9756TFK <sup>2</sup>				69-9501TB <sup>2</sup>	10.0 @ 5079
<b>2002 VOLKSWAGEN</b>				<b>2000 VOLKSWAGEN</b>			
Bora	1.6L L4 F/I - 105BHP	69-9751TS <sup>2</sup>		Bora	1.6L L4 F/I - 105BHP	69-9751TS <sup>2</sup>	
		69-9751TB <sup>2</sup>				69-9751TB <sup>2</sup>	
Bora	1.8L L4 F/I - 180BHP	69-9501TP <sup>2</sup>	10.0 @ 5079	Bora	2.0L L4 F/I - Exc. AAP	69-9752TP <sup>2</sup>	8.0 @ 6000
		69-9501TB <sup>2</sup>	10.0 @ 5079			69-9752TB <sup>2</sup>	8.0 @ 6000
Bora	2.3L V5 F/I	69-8250TWR <sup>2</sup>		Bora	2.0L L4 F/I - w/AAP	69-9501TP <sup>2</sup>	10.0 @ 5079
		69-8250TS <sup>2</sup>				69-9501TB <sup>2</sup>	10.0 @ 5079
Bora	2.8L V6 F/I	69-8250TWR <sup>2</sup>		Bora	2.3L V5 F/I - 170BHP	69-8250TWR <sup>2</sup>	
		69-8250TS <sup>2</sup>				69-8250TS <sup>2</sup>	
Golf	2.0L L4 F/I - US	69-9501TP <sup>2</sup>	10.0 @ 5079	Bora	2.8L V6 F/I	69-8250TWR <sup>2</sup>	
		69-9501TB <sup>2</sup>	10.0 @ 5079			69-8250TS <sup>2</sup>	
Golf GTI	1.8L L4 F/I - US	69-9501TP <sup>2</sup>	10.0 @ 5079	Bora	3.2L V6 F/I	69-9502TP <sup>2</sup>	17.7 @ 5684
		69-9501TB <sup>2</sup>	10.0 @ 5079			69-9502TB <sup>2</sup>	17.7 @ 5684
Golf IV	1.4L L4 F/I	69-9751TS <sup>2</sup>		Golf	1.8L L4 F/I - w/AAP	69-9501TP <sup>2</sup>	10.0 @ 5079
		69-9751TB <sup>2</sup>				69-9501TB <sup>2</sup>	10.0 @ 5079
Golf IV	1.6L L4 F/I - 102/105BHP	69-9751TS <sup>2</sup>		Golf IV	1.8L L4 F/I	69-9501TP <sup>2</sup>	10.0 @ 5079
		69-9751TB <sup>2</sup>				69-9501TB <sup>2</sup>	10.0 @ 5079
Golf IV	1.8L L4 F/I - 150BHP, w/AAP	69-9501TP <sup>2</sup>	10.0 @ 5079	Golf IV	1.6L L4 F/I - 102/105BHP	69-9751TS <sup>2</sup>	
		69-9501TB <sup>2</sup>	10.0 @ 5079			69-9751TB <sup>2</sup>	
Golf IV	2.0L L4 F/I	69-9501TP <sup>2</sup>	10.0 @ 5079	Golf IV	1.8L L4 F/I - 150BHP, w/AAP	69-9501TP <sup>2</sup>	10.0 @ 5079
		69-9501TB <sup>2</sup>	10.0 @ 5079			69-9501TB <sup>2</sup>	10.0 @ 5079
Golf IV	2.3L L5 F/I - 170BHP	69-8250TWR <sup>2</sup>		Golf IV	2.0L L4 F/I - Exc. AAP	69-9752TP <sup>2</sup>	8.0 @ 6000
		69-8250TS <sup>2</sup>				69-9752TB <sup>2</sup>	8.0 @ 6000
Golf IV	2.8L V6 F/I	69-8250TWR <sup>2</sup>		Golf IV	2.0L L4 F/I - w/AAP	69-9501TP <sup>2</sup>	10.0 @ 5079
		69-8250TS <sup>2</sup>				69-9501TB <sup>2</sup>	10.0 @ 5079
Golf IV	3.2L V6 F/I	69-9502TP <sup>2</sup>	17.7 @ 5684	Bora	2.3L V5 F/I - 170BHP	69-8250TWR <sup>2</sup>	
		69-9502TB <sup>2</sup>	17.7 @ 5684			69-8250TS <sup>2</sup>	
Golf IV GTI	1.8L L4 F/I - w/AAP	69-9501TP <sup>2</sup>	10.0 @ 5079	Bora	2.8L V6 F/I	69-8250TWR <sup>2</sup>	
		69-9501TB <sup>2</sup>	10.0 @ 5079			69-8250TS <sup>2</sup>	
Jetta	1.8L L4 F/I	69-9501TP <sup>2</sup>	10.0 @ 5079	Golf	2.0L L4 F/I	69-9501TP <sup>2</sup>	10.0 @ 5079
		69-9501TB <sup>2</sup>	10.0 @ 5079			69-9501TB <sup>2</sup>	10.0 @ 5079
Jetta	2.0L L4 F/I	69-9501TP <sup>2</sup>	10.0 @ 5079	Golf IV	1.4L L4 F/I	69-9751TS <sup>2</sup>	
		69-9501TB <sup>2</sup>	10.0 @ 5079			69-9751TB <sup>2</sup>	
				Golf IV	1.6L L4 F/I - 102/105BHP	69-9751TS <sup>2</sup>	
						69-9751TB <sup>2</sup>	
<b>2001 VOLKSWAGEN</b>				<b>2000 VOLKSWAGEN</b>			
Bora	1.6L L4 F/I - 105BHP	69-9751TS <sup>2</sup>		Bora	1.6L L4 F/I - 105BHP	69-9751TS <sup>2</sup>	
		69-9751TB <sup>2</sup>				69-9751TB <sup>2</sup>	
Bora	1.8L L4 F/I - 180BHP	69-9501TP <sup>2</sup>	10.0 @ 5079	Bora	2.0L L4 F/I - Exc. AAP	69-9752TP <sup>2</sup>	8.0 @ 6000
		69-9501TB <sup>2</sup>	10.0 @ 5079			69-9752TB <sup>2</sup>	8.0 @ 6000
Bora	2.0L L4 F/I - w/AAP	69-9501TP <sup>2</sup>	10.0 @ 5079	Bora	2.0L L4 F/I - w/AAP	69-9501TP <sup>2</sup>	10.0 @ 5079
		69-9501TB <sup>2</sup>	10.0 @ 5079			69-9501TB <sup>2</sup>	10.0 @ 5079
Bora	2.3L V5 F/I	69-8250TWR <sup>2</sup>		Bora	2.3L V5 F/I - 170BHP	69-8250TWR <sup>2</sup>	
		69-8250TS <sup>2</sup>				69-8250TS <sup>2</sup>	
Bora	2.8L V6 F/I	69-8250TWR <sup>2</sup>		Bora	2.8L V6 F/I	69-8250TWR <sup>2</sup>	
		69-8250TS <sup>2</sup>				69-8250TS <sup>2</sup>	
Golf	1.8L L4 F/I - US	69-9501TP <sup>2</sup>	10.0 @ 5079	Bora	3.2L V6 F/I	69-9502TP <sup>2</sup>	17.7 @ 5684
		69-9501TB <sup>2</sup>	10.0 @ 5079			69-9502TB <sup>2</sup>	17.7 @ 5684
Golf	2.0L L4 F/I	69-9501TP <sup>2</sup>	10.0 @ 5079	Golf	1.8L L4 F/I - w/AAP	69-9501TP <sup>2</sup>	10.0 @ 5079
		69-9501TB <sup>2</sup>	10.0 @ 5079			69-9501TB <sup>2</sup>	10.0 @ 5079
Golf GTI	1.8L L4 F/I - US	69-9501TP <sup>2</sup>	10.0 @ 5079	Golf IV	1.8L L4 F/I	69-9501TP <sup>2</sup>	10.0 @ 5079
		69-9501TB <sup>2</sup>	10.0 @ 5079			69-9501TB <sup>2</sup>	10.0 @ 5079
Golf IV	1.4L L4 F/I	69-9751TS <sup>2</sup>		Golf IV	1.6L L4 F/I - 102/105BHP	69-9751TS <sup>2</sup>	
		69-9751TB <sup>2</sup>				69-9751TB <sup>2</sup>	
				Golf IV	1.8L L4 F/I - 150BHP, w/AAP	69-9501TP <sup>2</sup>	10.0 @ 5079
						69-9501TB <sup>2</sup>	10.0 @ 5079
				Golf IV	2.0L L4 F/I - Exc. AAP	69-9752TP <sup>2</sup>	8.0 @ 6000
						69-9752TB <sup>2</sup>	8.0 @ 6000
				Golf IV	2.0L L4 F/I - w/AAP	69-9501TP <sup>2</sup>	10.0 @ 5079
						69-9501TB <sup>2</sup>	10.0 @ 5079
				Golf IV	2.3L L5 F/I - 170BHP	69-8250TWR <sup>2</sup>	
						69-8250TS <sup>2</sup>	
				Golf IV	2.8L V6 F/I	69-8250TWR <sup>2</sup>	
						69-8250TS <sup>2</sup>	
				Golf IV GTI	1.8L L4 F/I - w/AAP	69-9501TP <sup>2</sup>	10.0 @ 5079
						69-9501TB <sup>2</sup>	10.0 @ 5079
				Jetta	1.8L L4 F/I	69-9501TP <sup>2</sup>	10.0 @ 5079
						69-9501TB <sup>2</sup>	10.0 @ 5079
				Jetta	2.0L L4 F/I	69-9501TP <sup>2</sup>	10.0 @ 5079
						69-9501TB <sup>2</sup>	10.0 @ 5079
				Polo	1.6L L4 F/I - Type 6N	69-9750TWR <sup>2</sup>	
						69-9750TS <sup>2</sup>	

1) Street legal in all US states. 2) Street legal in most states, but not legal for use in California or other states with similar emission control regulations.

\* Estimated horsepower gains are based on specific or similar vehicle dyno tests. Results will vary. See Page 81 for more information. Partial Listing - Complete List of Vehicles and Applications at knfilters.com. See page 82 for information on intake tube materials/colors.



# VOLKSWAGEN

# Intake Systems

Vehicle	Engine Type	Intake Kit	Estimated Horsepower*	Vehicle	Engine Type	Intake Kit	Estimated Horsepower*
<b>2000 VOLKSWAGEN</b>				<b>2011 YAMAHA</b>			
Polo	1.6L L4 F/I - Type 6N	69-9750TS <sup>2</sup>		YXR700 Rhino FI Auto 4x4	700	63-1121 <sup>2</sup>	
<b>1999 VOLKSWAGEN</b>				YXR700 Rhino FI Auto 4x4 Hunter Edition	700	63-1121 <sup>2</sup>	
Bora	2.0L L4 F/I - Exc. AAP	69-9752TP <sup>2</sup>	8.0 @ 6000	YXR700 Rhino FI Auto 4x4 SE	700	63-1121 <sup>2</sup>	
		69-9752TB <sup>2</sup>	8.0 @ 6000	YXR700 Rhino FI Auto 4x4 Sport Edition	700	63-1121 <sup>2</sup>	
Golf IV	1.4L L4 F/I	69-9751TS <sup>2</sup>		<b>2009 YAMAHA</b>			
		69-9751TB <sup>2</sup>		YFZ450	439 - Exc. F/I	63-1123 <sup>2</sup>	4.3 @ 7200
Golf IV	1.8L L4 F/I - w/AAP	69-9501TP <sup>2</sup>	10.0 @ 5079	YXR700 Rhino FI Auto 4x4	700	63-1121 <sup>2</sup>	
		69-9501TB <sup>2</sup>	10.0 @ 5079	YXR700 Rhino FI Auto 4x4 SE	700	63-1121 <sup>2</sup>	
Golf IV	2.0L L4 F/I - Exc. AAP	69-9752TP <sup>2</sup>	8.0 @ 6000	YXR700 Rhino FI Auto 4x4 Sport Edition	700	63-1121 <sup>2</sup>	
		69-9752TB <sup>2</sup>	8.0 @ 6000	<b>2008 YAMAHA</b>			
Golf IV	2.0L L4 F/I - w/AAP	69-9501TP <sup>2</sup>	10.0 @ 5079	YFZ450	439	63-1123 <sup>2</sup>	4.3 @ 7200
		69-9501TB <sup>2</sup>	10.0 @ 5079	YFZ450 SE	450	63-1123 <sup>2</sup>	4.3 @ 7200
Golf IV	2.8L V6 F/I	69-8250TWR <sup>2</sup>		YXR700 Rhino FI Auto 4x4	700	63-1121 <sup>2</sup>	
		69-8250TS <sup>2</sup>		YXR700 Rhino FI Auto 4x4 Sport Edition	700	63-1121 <sup>2</sup>	
Golf IV GTI	1.8L L4 F/I	69-9501TP <sup>2</sup>	10.0 @ 5079	<b>2007 YAMAHA</b>			
		69-9501TB <sup>2</sup>	10.0 @ 5079	YFZ450	439	63-1123 <sup>2</sup>	4.3 @ 7200
Polo	1.6L L4 F/I - Type 6N, 120/125BHP	69-9750TS <sup>2</sup>		YFZ450 SE	450	63-1123 <sup>2</sup>	4.3 @ 7200
Polo	1.6L L4 F/I - Type 6N, Exc., 75BHP	69-9750TWR <sup>2</sup>		YXR660 Rhino 4x4 Sport Ed.	660	63-1119 <sup>2</sup>	
<b>1998 VOLKSWAGEN</b>				YXR660 Rhino Auto 4x4	660	63-1119 <sup>2</sup>	
Golf IV	1.4L L4 F/I	69-9751TS <sup>2</sup>		YXR660 Rhino Auto 4x4 Exploring Ed.	660	63-1119 <sup>2</sup>	
		69-9751TB <sup>2</sup>		YXR660 Rhino Auto 4x4 Special Ed.	660	63-1119 <sup>2</sup>	
Golf IV	2.0L L4 F/I - Exc. AAP	69-9752TP <sup>2</sup>	8.0 @ 6000	<b>2006 YAMAHA</b>			
		69-9752TB <sup>2</sup>	8.0 @ 6000	YFZ450	439	63-1123 <sup>2</sup>	4.3 @ 7200
Golf IV	2.0L L4 F/I - w/AAP	69-9501TP <sup>2</sup>	10.0 @ 5079	YXR660 Rhino Auto 4x4	660	63-1119 <sup>2</sup>	
		69-9501TB <sup>2</sup>	10.0 @ 5079	YXR660 Rhino Auto 4x4 Exploring Ed.	660	63-1119 <sup>2</sup>	
Polo	1.6L L4 F/I - Type 6N, 120/125BHP	69-9750TWR <sup>2</sup>		YXR660 Rhino Auto 4x4 Special Ed.	660	63-1119 <sup>2</sup>	
		69-9750TS <sup>2</sup>		<b>2005 YAMAHA</b>			
<b>2010 VOLVO</b>				YFZ450	439	63-1123 <sup>2</sup>	4.3 @ 7200
C30	2.5L L5 F/I	69-9000TS <sup>2</sup>	14.6 @ 3925	YXR660 Rhino Auto 4x4	660	63-1119 <sup>2</sup>	
<b>2009 VOLVO</b>				YXR660 Rhino Auto 4x4	660	63-1119 <sup>2</sup>	
C30	2.5L L5 F/I	69-9000TS <sup>2</sup>	14.6 @ 3925	YXR660 Rhino Auto 4x4 Exploring Ed.	660	63-1119 <sup>2</sup>	
S40 II	2.5L L5 F/I	69-9000TS <sup>2</sup>	14.6 @ 3925	YXR660 Rhino Auto 4x4 Special Ed.	660	63-1119 <sup>2</sup>	
V50	2.5L L5 F/I - Non-US	69-9000TS <sup>2</sup>	14.6 @ 3925	<b>2004 YAMAHA</b>			
<b>2008 VOLVO</b>				YFZ450	439	63-1123 <sup>2</sup>	4.3 @ 7200
C30	2.5L L5 F/I	69-9000TS <sup>2</sup>	14.6 @ 3925	YXR660 Rhino Auto 4x4	660	63-1119 <sup>2</sup>	
S40 II	2.5L L5 F/I	69-9000TS <sup>2</sup>	14.6 @ 3925	YXR660 Rhino Auto 4x4 Exploring Ed.	660	63-1119 <sup>2</sup>	
V50	2.5L L5 F/I - Non-US	69-9000TS <sup>2</sup>	14.6 @ 3925	YXR660 Rhino Auto 4x4 Special Ed.	660	63-1119 <sup>2</sup>	
<b>2007 VOLVO</b>				<b>2003 YAMAHA</b>			
C30	2.5L L5 F/I	69-9000TS <sup>2</sup>	14.6 @ 3925	YFZ450	439	63-1123 <sup>2</sup>	4.3 @ 7200
S40 II	2.5L L5 F/I	69-9000TS <sup>2</sup>	14.6 @ 3925	YXR660 Rhino Auto 4x4	660	63-1119 <sup>2</sup>	
V50	2.5L L5 F/I - Non-US	69-9000TS <sup>2</sup>	14.6 @ 3925	YXR660 Rhino Auto 4x4	660	63-1119 <sup>2</sup>	
<b>2006 VOLVO</b>				<b>2002 YAMAHA</b>			
S40	2.5L L5 F/I	69-9000TS <sup>1</sup>	14.6 @ 3925	YFZ450	439	63-1123 <sup>2</sup>	4.3 @ 7200
S40 II	2.5L L5 F/I	69-9000TS <sup>2</sup>	14.6 @ 3925	YXR660 Rhino Auto 4x4	660	63-1119 <sup>2</sup>	
V50	2.5L L5 F/I - Non-US	69-9000TS <sup>2</sup>	14.6 @ 3925	YXR660 Rhino Auto 4x4	660	63-1119 <sup>2</sup>	
<b>2005 VOLVO</b>				<b>2001 YAMAHA</b>			
S40	2.5L L5 F/I	69-9000TS <sup>1</sup>	14.6 @ 3925	YFZ450	439	63-1123 <sup>2</sup>	4.3 @ 7200
S40 II	2.5L L5 F/I	69-9000TS <sup>2</sup>	14.6 @ 3925	YXR660 Rhino Auto 4x4	660	63-1119 <sup>2</sup>	
V50	2.5L L5 F/I - Non-US	69-9000TS <sup>2</sup>	14.6 @ 3925	YXR660 Rhino Auto 4x4	660	63-1119 <sup>2</sup>	
<b>2004 VOLVO</b>				<b>2000 YAMAHA</b>			
S40	2.5L L5 F/I	69-9000TS <sup>1</sup>	14.6 @ 3925	YFZ450	439	63-1123 <sup>2</sup>	4.3 @ 7200
S40 II	2.5L L5 F/I	69-9000TS <sup>2</sup>	14.6 @ 3925	YXR660 Rhino Auto 4x4	660	63-1119 <sup>2</sup>	
V50	2.5L L5 F/I	69-9000TS <sup>2</sup>	14.6 @ 3925	YXR660 Rhino Auto 4x4	660	63-1119 <sup>2</sup>	

1) Street legal in all US states. 2) Street legal in most states, but not legal for use in California or other states with similar emission control regulations.

\* Estimated horsepower gains are based on specific or similar vehicle dyno tests. Results will vary. See Page 81 for more information.

Partial Listing - Complete List of Vehicles and Applications at knfilters.com. See page 82 for information on intake tube materials/colors.

# CAN AN AIR FILTER INCREASE HORSEPOWER?



**WASHABLE  
&  
REUSABLE™**

**6 MORE  
HORSEPOWER\***  
on a 2009 Chevy Silverado 1500 5.3L  
with K&N High-Flow Air Filter™ #33-2129

## K&N HIGH-FLOW AIR FILTERS™

This is the original High-Flow Air Filter™ invented by K&N. It is made with layers of woven cotton for a washable filter that offers high air flow that can increase your car's horsepower and acceleration. For better performance and value over the life of your car, you cannot go wrong with our most popular product.



## POPULAR AIR FILTER APPLICATIONS

YEAR	MODEL	ENGINE	PART#	EST. HP GAIN
2009	Chevy Silverado 1500	5.3L	33-2129	+6 hp*
2005	Chevy Silverado 2500HD	6.6L DSL	33-2135	+7 hp*
2002	Dodge Dakota	4.7L	33-2175	+5 hp*
2007	Dodge Ram 2500	6.7L DSL	E-0784	+6 hp*
2002	Ford Explorer	4.0L	33-2207	+4 hp*
2004	Ford F-150	5.4L	33-2287	+3 hp*
2008	Ford F-350 Super Duty	6.4L DSL	E-0785	+2 hp*
2007	Ford Mustang GT	4.6L	33-2298	+8 hp*
2004	Honda Accord	2.4L	33-2276	+2 hp*
2005	Jeep Grand Cherokee	3.7L	33-2233	+4 hp*
2005	Jeep Wrangler	4.0L	33-2114	+4 hp*
2009	Toyota Corolla	1.8L	33-2360	+2 hp*
2009	Toyota Prius	1.5L	33-2329	+2 hp*
2006	Toyota Tundra	4.7L	33-2144	+3 hp*
2006	Volkswagen Jetta	2.5L	33-2331	+2 hp*

\*Horsepower estimates are the result of one dynamometer test comparing horsepower at the wheels when changing from an OEM air filter to a K&N air filter for the vehicle listed. It is not meant to be representative of all our part numbers. Results will vary.



AIR / OIL FILTERS





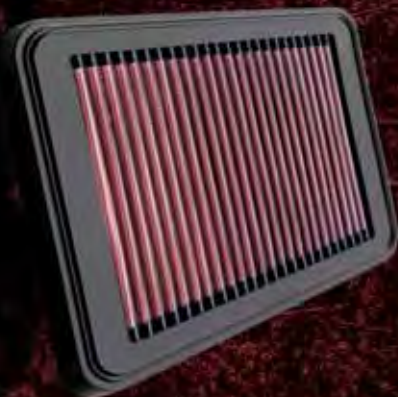
## OE REPLACEMENT AIR FILTERS

*Air Filters for Virtually Every Vehicle on the Road*

The #1 filter in



Better engine performance and a great value because they never need to be replaced.



### **Panel Filters**

Part numbers start with: 33



### **Conical Filters**

Part numbers start with: E



### **Round Filters**

Part numbers start with: E

These replacement air filters are custom designed to fit into the existing factory air box. All you do is remove the disposable air filter and replace it with a K&N; there usually is not any cutting or fitting required. Our stock replacement air filters are covered by our famous K&N Million Mile Limited Warranty™.

**WASHABLE  
&  
REUSABLE™**

## PERFORMANCE OIL FILTERS

*High-Flow Technology Built into Canister and Cartridge Filters*

K&N's High-Flow Oil Filters are designed to provide better engine performance by reducing oil filter restriction.



### **Powersports Oil Filters**

Part numbers start with: KN



### **Premium Oil Filters**

Part numbers start with: HP



### **High-Flow Oil Filters**

Part numbers start with: P5

# AIR & OIL FILTERS

# ACURA

Vehicle	Engine Type	Air Filter	Oil Filter	Vehicle	Engine Type	Air Filter	Oil Filter
<b>2011 ACURA</b>				<b>2004 ACURA</b>			
MDX	3.7L V6 F/I	33-2454	HP-1010	EL	1.7L L4 F/I		HP-1010
RDX	2.3L L4 F/I	33-2382	HP-1010	MDX	3.5L V6 F/I	33-2200	HP-1010
RL	3.7L V6 F/I	33-2425	HP-1010	NSX	3.0L V6 F/I	33-2713	
TL	3.5L V6 F/I	33-2403	HP-1010	NSX	3.2L V6 F/I	33-2713	
TL	3.7L V6 F/I	33-2403	HP-1010	RL	3.5L V6 F/I	33-2179	HP-1004
TSX	2.4L L4 F/I	33-2430	HP-1010	RSX	2.0L L4 F/I	E-2429 ♦	HP-1010
TSX	3.5L V6 F/I	33-2403	HP-1010	RSX Type-S	2.0L L4 F/I	E-2429 ♦	HP-1010
ZDX	3.7L V6 F/I	33-2454	HP-1010	TL	3.2L V6 F/I	33-2299 ♦	HP-1010
<b>2010 ACURA</b>				<b>2003 ACURA</b>			
CSX	2.0L L4 F/I		HP-1010	CL	3.2L V6 F/I	33-2133	HP-1004
MDX	3.7L V6 F/I	33-2454	HP-1010	CL Type-S	3.2L V6 F/I	33-2178	HP-1004
RDX	2.3L L4 F/I	33-2382	HP-1010	EL	1.7L L4 F/I		HP-1010
RL	3.7L V6 F/I	33-2425	HP-1010	MDX	3.5L V6 F/I	33-2200	HP-1010
TL	3.5L V6 F/I	33-2403 ♦	HP-1010	NSX	3.0L V6 F/I	33-2713	
TL	3.7L V6 F/I	33-2403	HP-1010	NSX	3.2L V6 F/I	33-2713	
TSX	2.4L L4 F/I	33-2430 ♦	HP-1010	RL	3.5L V6 F/I	33-2179	HP-1004
TSX	3.5L V6 F/I	33-2403	HP-1010	RSX	2.0L L4 F/I	E-2429 ♦	HP-1010
ZDX	3.7L V6 F/I	33-2454	HP-1010	RSX Type-S	2.0L L4 F/I	E-2429 ♦	HP-1010
<b>2009 ACURA</b>				<b>2002 ACURA</b>			
CSX	2.0L L4 F/I		HP-1010	CL	3.2L V6 F/I	33-2133	HP-1004
MDX	3.7L V6 F/I	33-2383	HP-1010	CL Type-S	3.2L V6 F/I	33-2178	HP-1004
RDX	2.3L L4 F/I	33-2382	HP-1010	EL	1.7L L4 F/I		HP-1004
RL	3.7L V6 F/I	33-2425	HP-1010	MDX	3.5L V6 F/I	33-2200	HP-1004
TL	3.5L V6 F/I	33-2403 ♦	HP-1010	NSX	3.0L V6 F/I	33-2713	
TL	3.7L V6 F/I	33-2403	HP-1010	NSX	3.2L V6 F/I	33-2713	
TSX	2.4L L4 F/I	33-2430 ♦	HP-1010	RL	3.5L V6 F/I	33-2179	HP-1004
<b>2008 ACURA</b>				<b>2001 ACURA</b>			
CSX	2.0L L4 F/I		HP-1010	CL	3.2L V6 F/I	33-2133	HP-1004
MDX	3.7L V6 F/I	33-2383	HP-1010	CL Type-S	3.2L V6 F/I	33-2178	HP-1004
RDX	2.3L L4 F/I	33-2382 ♦	HP-1010	EL	1.7L L4 F/I		HP-1004
RL	3.5L V6 F/I	33-2299	HP-1010	Integra	1.8L L4 F/I	E-2427	HP-1004
TL	3.2L V6 F/I	33-2379 ♦	HP-1010	Integra GS-R	1.8L L4 F/I	E-2427 ♦	HP-1004
TL	3.5L V6 F/I	33-2379 ♦	HP-1010	Integra Type R	1.8L L4 F/I	E-2427	HP-1004
TSX	2.4L L4 F/I	33-2276 ♦	HP-1010	MDX	3.5L V6 F/I	33-2200	HP-1004
<b>2007 ACURA</b>				<b>2000 ACURA</b>			
CSX	2.0L L4 F/I		HP-1010	EL	1.6L L4 F/I		HP-1004
MDX	3.7L V6 F/I	33-2383	HP-1010	Integra	1.8L L4 F/I	E-2427	HP-1004
RDX	2.3L L4 F/I	33-2382 ♦	HP-1010	Integra GS-R	1.8L L4 F/I	E-2427 ♦	HP-1004
RL	3.5L V6 F/I	33-2299	HP-1010	Integra Type R	1.8L L4 F/I	E-2427	HP-1004
RSX	2.0L L4 F/I	E-2429		NSX	3.0L V6 F/I	33-2713	
TL	3.2L V6 F/I	33-2379 ♦	HP-1010	NSX	3.2L V6 F/I	33-2713	
TL	3.5L V6 F/I	33-2379 ♦	HP-1010	RL	3.5L V6 F/I	33-2179	HP-1004
TSX	2.4L L4 F/I	33-2276 ♦	HP-1010	TL	3.2L V6 F/I	33-2133	HP-1004
<b>2006 ACURA</b>				<b>1999 ACURA</b>			
CSX	2.0L L4 F/I		HP-1010	CL	2.3L L4 F/I	33-2071	HP-1004
MDX	3.5L V6 F/I	33-2200	HP-1010	CL	3.0L V6 F/I	33-2100	HP-1004
RL	3.5L V6 F/I	33-2299	HP-1010	EL	1.6L L4 F/I		HP-1004
RSX	2.0L L4 F/I	E-2429 ♦	HP-1010	Integra	1.8L L4 F/I	E-2427	HP-1004
RSX Type-S	2.0L L4 F/I	E-2429 ♦	HP-1010	Integra GS-R	1.8L L4 F/I	E-2427 ♦	HP-1004
TL	3.2L V6 F/I	33-2299 ♦	HP-1010	Integra Type R	1.8L L4 F/I	E-2427	HP-1004
TSX	2.4L L4 F/I	33-2276 ♦	HP-1010	NSX	3.0L V6 F/I	33-2713	
<b>2005 ACURA</b>				<b>1999 ACURA</b>			
EL	1.7L L4 F/I		HP-1010	NSX	3.2L V6 F/I	33-2713	
MDX	3.5L V6 F/I	33-2200	HP-1010	RL	3.5L V6 F/I	33-2179	HP-1004
NSX	3.0L V6 F/I	33-2713		TL	3.2L V6 F/I	33-2133	HP-1004
NSX	3.2L V6 F/I	33-2713		<b>1999 ACURA</b>			
RL	3.5L V6 F/I	33-2299	HP-1010	CL	2.3L L4 F/I	33-2071	HP-1004
RSX	2.0L L4 F/I	E-2429 ♦	HP-1010	CL	3.0L V6 F/I	33-2100	HP-1004
RSX Type-S	2.0L L4 F/I	E-2429 ♦	HP-1010	EL	1.6L L4 F/I		HP-1004
TL	3.2L V6 F/I	33-2299 ♦	HP-1010	Integra	1.8L L4 F/I	E-2427	HP-1004
TSX	2.4L L4 F/I	33-2276 ♦	HP-1010	Integra GS-R	1.8L L4 F/I	E-2427 ♦	HP-1004
				Integra Type R	1.8L L4 F/I	E-2427	HP-1004

\*Indicates 2 filters required      ♦ - Intake kit available      Applications updated daily at [knfilters.com](http://knfilters.com) ®

**Partial Listing - Complete List of Vehicles and Applications at [knfilters.com](http://knfilters.com)**

# ACURA

# AIR & OIL FILTERS

Vehicle	Engine Type	Air Filter	Oil Filter
<b>1999 ACURA</b>			
NSX	3.0L V6 F/I	33-2713	
NSX	3.2L V6 F/I	33-2713	
RL	3.5L V6 F/I	33-2179	HP-1004
SLX	3.5L V6 F/I	33-2064	HP-1004
TL	3.2L V6 F/I	33-2133	HP-1004
<b>1998 ACURA</b>			
CL	2.3L L4 F/I	33-2071	HP-1004
CL	3.0L V6 F/I	33-2100	HP-1004
EL	1.6L L4 F/I		HP-1004
Integra	1.8L L4 F/I	E-2427	HP-1004
Integra GS-R	1.8L L4 F/I	E-2427 ♦	HP-1004
Integra Type R	1.8L L4 F/I	E-2427	HP-1004
NSX	3.0L V6 F/I	33-2713	
NSX	3.2L V6 F/I	33-2713	
RL	3.5L V6 F/I	33-2179	HP-1004
SLX	3.5L V6 F/I	33-2064	HP-1004
TL	2.5L L5 F/I	33-2267	HP-1004
TL	3.2L V6 F/I	33-2089	
<b>1997 ACURA</b>			
CL	2.2L L4 F/I	33-2071	HP-1004
CL	3.0L V6 F/I	33-2100	HP-1004
EL	1.6L L4 F/I		HP-1004
Integra	1.8L L4 F/I	E-2427	HP-1004
Integra GS-R	1.8L L4 F/I	E-2427 ♦	HP-1004
Integra Type R	1.8L L4 F/I	E-2427	HP-1004
NSX	3.0L V6 F/I	33-2713	
NSX	3.2L V6 F/I	33-2713	
RL	3.5L V6 F/I	33-2179	HP-1004
SLX	3.2L V6 F/I	33-2064	HP-1004
TL	2.5L L5 F/I	33-2267	HP-1004
TL	3.2L V6 F/I	33-2089	
<b>1996 ACURA</b>			
Integra	1.8L L4 F/I	E-2427	HP-1004
Integra GS-R	1.8L L4 F/I	E-2427 ♦	HP-1004
NSX	3.0L V6 F/I	33-2713	
RL	3.5L V6 F/I	33-2179	HP-1004
SLX	3.2L V6 F/I	33-2064	HP-1004
TL	2.5L L5 F/I	33-2267	HP-1004
TL	3.2L V6 F/I	33-2089	
<b>1995 ACURA</b>			
Integra	1.8L L4 F/I	E-2427 ♦	HP-1004
Integra GS-R	1.8L L4 F/I	E-2427 ♦	HP-1004
Legend	3.2L V6 F/I	33-2089	
NSX	3.0L V6 F/I	33-2713	
TL	2.5L L5 F/I		HP-1004
<b>1994 ACURA</b>			
Integra	1.8L L4 F/I	E-2427 ♦	HP-1004
Integra GS-R	1.8L L4 F/I	E-2427 ♦	HP-1004
Legend	3.2L V6 F/I	33-2089	
NSX	3.0L V6 F/I	33-2713 ♦	
Vigor	2.5L L5 F/I		HP-1004
<b>1993 ACURA</b>			
Integra	1.8L L4 F/I	33-2028 ♦	HP-1004
Integra GS-R	1.7L L4 F/I	33-2028 ♦	HP-1004
Legend	3.2L V6 F/I	33-2089	
NSX	3.0L V6 F/I	33-2713 ♦	
Vigor	2.5L L5 F/I		HP-1004
<b>1992 ACURA</b>			
Integra	1.8L L4 F/I	33-2028 ♦	HP-1004
Integra GS-R	1.7L L4 F/I	33-2028 ♦	HP-1004

Vehicle	Engine Type	Air Filter	Oil Filter
<b>1992 ACURA</b>			
Legend	3.2L V6 F/I	33-2089	
NSX	3.0L V6 F/I	33-2089	
Vigor	2.5L L5 F/I		HP-1004
<b>1991 ACURA</b>			
Integra	1.8L L4 F/I	33-2028 ♦	HP-1004
Legend	3.2L V6 F/I	33-2089	
NSX	3.0L V6 F/I	33-2713 ♦	
<b>1990 ACURA</b>			
Integra	1.8L L4 F/I	33-2028 ♦	HP-1004
Legend	2.7L V6 F/I	E-0999	
<b>1989 ACURA</b>			
Integra	1.6L L4 F/I	33-2021 ♦	HP-1004
Legend	2.7L V6 F/I	E-0999	
<b>1988 ACURA</b>			
Integra	1.6L L4 F/I	33-2021 ♦	HP-1004
Legend	2.7L V6 F/I	E-0999	
<b>1987 ACURA</b>			
Integra	1.6L L4 F/I	33-2021 ♦	
Legend	2.7L V6 F/I	E-0999	
<b>1986 ACURA</b>			
Integra	1.6L L4 F/I	33-2021 ♦	
<b>2011 ALFA ROMEO</b>			
159	1.7L L4 F/I	E-9281	
159	2.0L L4 DSL	E-9281	
GT	1.8L L4 F/I	E-9281	
GT	3.2L V6 F/I	E-9281	
Mito	1.3L L4 DSL - OEM 51775324	33-2932	
Mito	1.4L L4 F/I - exc. Turbo	33-2842 ♦	
Mito	1.4L L4 F/I - Turbo	33-2935 ♦	
Mito	1.6L L4 DSL	33-2935	
Spider	1.7L L4 F/I	E-9281	
Spider	3.2L V6 F/I	E-9281	
<b>2010 ALFA ROMEO</b>			
159	1.7L L4 F/I	E-9281	
159	1.8L L4 F/I	E-9281	
159	1.9L L4 DSL	E-9281	
159	2.0L L4 DSL	E-9281	
159	2.2L L4 F/I	E-9281	
159	2.4L L5 DSL	E-9281	
159	3.2L V6 F/I	E-9281	
Brera	1.7L L4 F/I	E-9281	
Brera	2.0L L4 DSL	E-9281	
Brera	2.2L L4 F/I	E-9281	
Brera	2.4L L5 DSL	E-9281	
Brera	3.2L V6 F/I	E-9281	
GT	3.2L V6 F/I	E-9281	
Mito	1.3L L4 DSL	33-2932	
Mito	1.4L L4 F/I - exc. Turbo	33-2842 ♦	
Mito	1.4L L4 F/I - Turbo	33-2935 ♦	
Mito	1.6L L4 DSL	33-2935	
Spider	1.7L L4 F/I	E-9281	
Spider	2.0L L4 DSL	E-9281	
Spider	2.2L L4 F/I	E-9281	
Spider	2.4L L5 DSL	E-9281	
Spider	3.2L V6 F/I	E-9281	
<b>2009 ALFA ROMEO</b>			
159	1.7L L4 F/I	E-9281	
159	1.8L L4 F/I	E-9281	
159	1.9L L4 DSL	E-9281	

\*Indicates 2 filters required

♦ - Intake kit available

Applications updated daily at [knfilters.com](http://knfilters.com) ®



# AIR & OIL FILTERS

# ALFA ROMEO

Vehicle	Engine Type	Air Filter	Oil Filter	Vehicle	Engine Type	Air Filter	Oil Filter
<b>2009 ALFA ROMEO</b>				<b>2007 ALFA ROMEO</b>			
159	1.9L L4 F/I	E-9281		Spider	2.4L L5 DSL	E-9281	
159	2.0L L4 DSL	E-9281		Spider	3.2L V6 F/I	E-9281	
159	2.2L L4 F/I	E-9281		<b>2006 ALFA ROMEO</b>			
159	2.4L L5 DSL	E-9281		147	1.6L L4 F/I	33-2218 ♦	
159	3.2L V6 F/I	E-9281		147	1.9L L4 DSL	33-2228	
Brera	1.7L L4 F/I	E-9281		147	2.0L L4 F/I	33-2218 ♦	
Brera	2.0L L4 DSL	E-9281		147	3.2L V6 F/I	E-9268	
GT	3.2L V6 F/I	E-9281		156	1.6L L4 F/I	E-9244 ♦	
Mito	1.3L L4 DSL	33-2932		156	1.8L L4 F/I	E-9244 ♦	
Mito	1.4L L4 F/I - exc. Turbo	33-2842 ♦		156	1.9L L4 DSL	E-9244	
Mito	1.4L L4 F/I - Turbo	33-2935 ♦		156	2.0L L4 F/I	E-9244 ♦	
Mito	1.6L L4 DSL	33-2935		156	2.4L L4 DSL	E-9244	
Spider	1.7L L4 F/I	E-9281		156	2.5L L4 F/I	E-9244	
Spider	2.0L L4 DSL	E-9281		156	3.2L V6 F/I	E-9268 ♦	
Spider	2.2L L4 F/I	E-9281		159	1.9L L4 F/I	E-9281	HP-7000
Spider	2.4L L5 DSL	E-9281		159	2.2L L4 F/I	E-9281	HP-7000
Spider	3.2L V6 F/I	E-9281		159	2.4L L4 DSL	E-9281	
<b>2008 ALFA ROMEO</b>				159	3.2L V6 F/I	E-9281	
147	1.6L L4 F/I	33-2218 ♦		166	2.0L L4 F/I	E-9228	
147	2.0L L4 F/I	33-2218 ♦		166	2.0L V6 F/I	E-9228	
159	1.8L L4 F/I	E-9281		166	2.4L L5 DSL	E-9228	
159	1.9L L4 F/I	E-9281	HP-7000	Brera	2.2L L4 F/I	E-9281	HP-7000
159	2.2L L4 F/I	E-9281	HP-7000	Brera	2.4L L4 DSL	E-9281	
159	2.4L L4 DSL	E-9281		Brera	3.2L V6 F/I	E-9281	
159	3.2L V6 F/I	E-9281		GT	1.8L L4 F/I - round airbox	E-9244 ♦	
Brera	2.2L L4 F/I	E-9281	HP-7000	GT	1.8L L4 F/I - square airbox	33-2218 ♦	
Brera	2.4L L4 DSL	E-9281		GT	1.9L L4 DSL	33-2228	
Brera	3.2L V6 F/I	E-9281		GT	2.0L L4 F/I	33-2218	
GT	1.8L L4 F/I - round airbox	E-9244 ♦		GT	3.2L V6 F/I	E-9268	
GT	1.8L L4 F/I - square airbox	33-2218 ♦		Spider	2.2L L4 F/I	E-9281	
GT	1.9L L4 DSL	33-2228		Spider	3.2L V6 F/I	E-9281	
GT	2.0L L4 F/I	33-2218		<b>2005 ALFA ROMEO</b>			
GT	3.2L V6 F/I	E-9268		147	1.6L L4 F/I	33-2218 ♦	
Mito	1.4L L4 F/I - exc. Turbo	33-2842 ♦		147	1.9L L4 DSL	33-2228	
Mito	1.4L L4 F/I - Turbo	33-2935 ♦		147	2.0L L4 F/I	33-2218 ♦	HP-1010
Mito	1.6L L4 DSL	33-2935		147	3.2L V6 F/I	E-9268	
Spider	2.2L L4 F/I	E-9281		156	1.6L L4 F/I	E-9244 ♦	
Spider	2.4L L5 DSL	E-9281		156	1.8L L4 F/I	E-9244 ♦	
Spider	3.2L V6 F/I	E-9281		156	1.9L L4 DSL	E-9244	
<b>2007 ALFA ROMEO</b>				156	2.0L L4 F/I	E-9244 ♦	
147	1.6L L4 F/I	33-2218 ♦		156	2.4L L4 DSL	E-9244	
147	1.9L L4 DSL	33-2228		156	2.5L L4 F/I	E-9244	
147	2.0L L4 F/I	33-2218 ♦		156	3.2L V6 F/I	E-9268 ♦	
159	1.8L L4 F/I	E-9281		159	1.9L L4 F/I	E-9281	HP-7000
159	1.9L L4 F/I	E-9281	HP-7000	159	2.2L L4 F/I	E-9281	HP-7000
159	2.2L L4 F/I	E-9281	HP-7000	159	2.4L L4 DSL	E-9281	
159	2.4L L4 DSL	E-9281		159	3.2L V6 F/I	E-9281	
159	3.2L V6 F/I	E-9281		166	2.0L L4 F/I	E-9228	
166	2.0L L4 F/I	E-9228		166	2.0L V6 F/I	E-9228	
166	2.0L V6 F/I	E-9228		166	2.4L L5 DSL	E-9228	
166	2.4L L5 DSL	E-9228		166	2.5L V6 F/I	E-9228	
Brera	2.2L L4 F/I	E-9281	HP-7000	Brera	2.2L L4 F/I	E-9281	HP-7000
Brera	2.4L L4 DSL	E-9281		Brera	2.4L L4 DSL	E-9281	
Brera	3.2L V6 F/I	E-9281		Brera	3.2L V6 F/I	E-9281	
GT	1.8L L4 F/I - round airbox	E-9244 ♦		GT	1.8L L4 F/I - round airbox	E-9244 ♦	
GT	1.8L L4 F/I - square airbox	33-2218 ♦		GT	1.8L L4 F/I - square airbox	33-2218 ♦	
GT	1.9L L4 DSL	33-2228		GT	1.9L L4 DSL	33-2228	
GT	2.0L L4 F/I	33-2218		GT	2.0L L4 F/I	33-2218	
GT	3.2L V6 F/I	E-9268		GT	3.2L V6 F/I	E-9268	
Spider	2.2L L4 F/I	E-9281		GTV	2.0L L4 F/I	E-9244	

\*Indicates 2 filters required      ♦ - Intake kit available      Applications updated daily at [knfilters.com](http://knfilters.com) ®

Partial Listing - Complete List of Vehicles and Applications at [knfilters.com](http://knfilters.com)



# ALFA ROMEO

# AIR & OIL FILTERS

Vehicle	Engine Type	Air Filter	Oil Filter
<b>2005 ALFA ROMEO</b>			
GTV	2.0L V6 F/I	E-9228	
Spider	2.0L L4 F/I - JTS	E-9244	
<b>2004 ALFA ROMEO</b>			
147	1.6L L4 F/I	33-2218 ♦	
147	1.9L L4 DSL	33-2228	
147	2.0L L4 F/I	33-2218 ♦	HP-1010
147	3.2L V6 F/I - 250BHP, GTA	E-9268 ♦	
156	1.6L L4 F/I	E-9244 ♦	
156	1.8L L4 F/I	E-9244 ♦	
156	1.9L L4 DSL	E-9244	
156	2.0L L4 F/I	E-9244 ♦	
156	2.4L L5 DSL - JTD, 20v	E-9244	
156	2.5L V6 F/I - 190/192BHP	E-9244	
156	3.2L V6 F/I	E-9268 ♦	
166	2.0L L4 F/I	E-9228	
166	2.0L V6 F/I	E-9228	
166	2.4L L5 DSL	E-9228	
166	2.5L V6 F/I	E-9228	
GT	1.8L L4 F/I - round airbox	E-9244 ♦	
GT	1.8L L4 F/I - square airbox	33-2218 ♦	
GT	1.9L L4 DSL	33-2228	
GT	2.0L L4 F/I	33-2218	
GT	3.2L V6 F/I	E-9268	
GTV	2.0L L4 F/I - exc. JTS	E-9228	
GTV	2.0L L4 F/I - JTS	E-9244	
GTV	2.0L V6 F/I	E-9228	
Spider	2.0L L4 F/I - 150/155BHP, Twin Spark	E-9228	
Spider	2.0L L4 F/I - JTS	E-9244	
Spider	3.0L V6 F/I - 192BHP, 12v	E-9228	

Vehicle	Engine Type	Air Filter	Oil Filter
<b>2003 ALFA ROMEO</b>			
147	1.6L L4 F/I	33-2218 ♦	
147	1.9L L4 DSL	33-2228	
147	2.0L L4 F/I	33-2218 ♦	HP-1010
147	3.2L V6 F/I - 250BHP, GTA	E-9268 ♦	
156	1.6L L4 F/I	E-9244 ♦	
156	1.8L L4 F/I	E-9244 ♦	
156	1.9L L4 DSL - JTD, 16v	E-9244	
156	2.0L L4 F/I	E-9244 ♦	
156	2.4L L5 DSL - JTD, 20v	E-9244	
156	2.5L V6 F/I - 190/192BHP	E-9244	
156	3.2L V6 F/I	E-9268 ♦	
166	2.0L L4 F/I	E-9228	
166	2.0L V6 F/I	E-9228	
166	2.4L L5 DSL	E-9228	
166	2.5L V6 F/I	E-9228	
GTV	2.0L L4 F/I - exc. JTS	E-9228	
GTV	2.0L L4 F/I - JTS	E-9244	
GTV	2.0L V6 F/I	E-9228	
Spider	2.0L L4 F/I - 150/155BHP, Twin Spark	E-9228	
Spider	2.0L L4 F/I - JTS	E-9244	
Spider	3.0L V6 F/I - 192BHP, 12v	E-9228	

Vehicle	Engine Type	Air Filter	Oil Filter
<b>2002 ALFA ROMEO</b>			
147	1.6L L4 F/I	33-2218 ♦	
147	1.9L L4 DSL	33-2228	
147	2.0L L4 F/I	33-2218 ♦	

Vehicle	Engine Type	Air Filter	Oil Filter
<b>2002 ALFA ROMEO</b>			
156	1.6L L4 F/I	E-9244 ♦	
156	1.8L L4 F/I	E-9244 ♦	
156	1.9L L4 DSL - JTD, 16v	E-9244	
156	2.0L L4 F/I	E-9244 ♦	
156	2.4L L5 DSL - JTD, 20v	E-9244	
156	2.5L V6 F/I - 190/192BHP	E-9244	
156	3.2L V6 F/I	E-9268 ♦	
166	2.0L L4 F/I	E-9228	
166	2.0L V6 F/I	E-9228	
166	2.4L L5 DSL	E-9228	
166	2.5L V6 F/I	E-9228	
GTV	2.0L L4 F/I	E-9228	
GTV	2.0L V6 F/I	E-9228	
Spider	2.0L L4 F/I - 150/155BHP, Twin Spark	E-9228	
Spider	3.0L V6 F/I - 192BHP, 12v	E-9228	

Vehicle	Engine Type	Air Filter	Oil Filter
<b>2001 ALFA ROMEO</b>			
145	1.4L L4 F/I	33-2748-1	
145	1.6L L4 F/I	33-2748-1	
145	1.8L L4 F/I	33-2748-1 ♦	
145	1.9L L4 DSL	33-2748-1	
145	2.0L L4 F/I	33-2748-1 ♦	
146	1.4L L4 F/I	33-2748-1	
146	1.6L L4 F/I	33-2748-1	
146	1.8L L4 F/I	33-2748-1 ♦	
146	1.9L L4 DSL	33-2748-1	
146	2.0L L4 F/I	33-2748-1 ♦	
147	1.6L L4 F/I	33-2218 ♦	
147	1.9L L4 DSL	33-2228	
147	2.0L L4 F/I	33-2218 ♦	
156	1.6L L4 F/I	E-9244 ♦	
156	1.8L L4 F/I	E-9244 ♦	
156	1.9L L4 DSL - JTD, 16v	E-9244	
156	2.0L L4 F/I	E-9244 ♦	
156	2.4L L5 DSL - JTD, 20v	E-9244	
156	2.5L V6 F/I - 190/192BHP	E-9244	
166	2.0L L4 F/I	E-9228	
166	2.0L V6 F/I	E-9228	
166	2.4L L5 DSL	E-9228	
166	2.5L V6 F/I	E-9228	
GTV	1.8L L4 F/I	E-9228	
GTV	2.0L L4 F/I	E-9228	
GTV	2.0L V6 F/I	E-9228	
Spider	1.8L L4 F/I	E-9228	
Spider	2.0L L4 F/I - 150/155BHP, Twin Spark	E-9228	
Spider	3.0L V6 F/I - 192BHP, 12v	E-9228	

Vehicle	Engine Type	Air Filter	Oil Filter
<b>2000 ALFA ROMEO</b>			
145	1.4L L4 F/I	33-2748-1	
145	1.6L L4 F/I	33-2748-1	
145	1.8L L4 F/I	33-2748-1 ♦	
145	1.9L L4 DSL	33-2748-1	
145	2.0L L4 F/I	33-2748-1 ♦	
146	1.4L L4 F/I	33-2748-1	
146	1.6L L4 F/I	33-2748-1	
146	1.8L L4 F/I	33-2748-1 ♦	
146	1.9L L4 DSL	33-2748-1	
146	2.0L L4 F/I	33-2748-1 ♦	
147	1.6L L4 F/I	33-2218 ♦	
147	1.9L L4 DSL	33-2228	

\*Indicates 2 filters required

♦ - Intake kit available

Applications updated daily at [knfilters.com](http://knfilters.com) ®

# AIR & OIL FILTERS

# ALFA ROMEO

Vehicle	Engine Type	Air Filter	Oil Filter	Vehicle	Engine Type	Air Filter	Oil Filter
<b>2000 ALFA ROMEO</b>				<b>1998 ALFA ROMEO</b>			
147	2.0L L4 F/I	33-2218 ♦		145	1.8L L4 F/I	33-2748-1 ♦	
156	1.6L L4 F/I	E-9244 ♦		145	2.0L L4 F/I	33-2748-1 ♦	
156	1.8L L4 F/I	E-9244 ♦		146	1.4L L4 F/I	33-2748-1	
156	1.9L L4 DSL - JTD, 16v	E-9244		146	1.6L L4 F/I	33-2748-1	
156	2.0L L4 F/I	E-9244 ♦		146	1.8L L4 F/I	33-2748-1 ♦	
156	2.4L L5 DSL - JTD, 20v	E-9244		146	2.0L L4 F/I	33-2748-1 ♦	
156	2.5L V6 F/I - 190/192BHP	E-9244		155	1.8L L4 F/I - to 4/98	33-2748-1	
166	2.0L L4 F/I	E-9228		156	1.6L L4 F/I	E-9244 ♦	
166	2.0L V6 F/I	E-9228		156	1.8L L4 F/I	E-9244 ♦	
166	2.4L L5 DSL	E-9228		156	1.9L L4 DSL - JTD, 16v	E-9244	
166	2.5L V6 F/I	E-9228		156	2.0L L4 F/I	E-9244 ♦	
166	3.0L V6 F/I - 226BHP	E-9228		156	2.4L L5 DSL - JTD, 20v	E-9244	
GTV	1.8L L4 F/I	E-9228		156	2.5L V6 F/I - 190/192BHP	E-9244	
GTV	2.0L L4 F/I	E-9228		164	2.0L L4 F/I	33-2645	
GTV	2.0L V6 F/I - w/Panel Filter	33-2748-1		164	2.0L V6 F/I	33-2645	
GTV	2.0L V6 F/I - w/Round Filter	E-9228		164	2.5L L4 DSL	33-2645	
GTV	3.0L V6 F/I - AR16102 Eng.	E-9228		164	2.5L V6 F/I	33-2645	
Spider	1.8L L4 F/I	E-9228		164	3.0L V6 F/I	33-2645	
Spider	2.0L V6 F/I - w/Panel Filter	33-2748-1		166	2.0L L4 F/I	E-9228	
Spider	2.0L V6 F/I - w/Round Filter	E-9228		166	2.0L V6 F/I	E-9228	
Spider	3.0L V6 F/I - 192BHP, 12v	E-9228		166	2.4L L5 DSL	E-9228	
<b>1999 ALFA ROMEO</b>				166	2.5L V6 F/I	E-9228	
145	1.4L L4 F/I	33-2748-1		166	3.0L V6 F/I - 226BHP	E-9228	
145	1.6L L4 F/I	33-2748-1		GTV	1.8L L4 F/I	E-9228	
145	1.8L L4 F/I	33-2748-1 ♦		GTV	2.0L L4 F/I	E-9228	
145	1.9L L4 DSL - JTD	33-2748-1		GTV	2.0L V6 F/I - w/Panel Filter	33-2748-1	
145	2.0L L4 F/I	33-2748-1 ♦		GTV	2.0L V6 F/I - w/Round Filter	E-9228	
146	1.4L L4 F/I	33-2748-1		GTV	3.0L V6 F/I - AR16102 Eng.	E-9228	
146	1.6L L4 F/I	33-2748-1		Spider	1.8L L4 F/I	E-9228	
146	1.8L L4 F/I	33-2748-1 ♦		Spider	2.0L V6 F/I - w/Panel Filter	33-2748-1	
146	1.9L L4 DSL - JTD	33-2748-1		Spider	2.0L V6 F/I - w/Round Filter	E-9228	
146	2.0L L4 F/I	33-2748-1 ♦		Spider	3.0L V6 F/I - 192BHP, 12v	E-9228	
156	1.6L L4 F/I	E-9244 ♦		<b>1997 ALFA ROMEO</b>			
156	1.8L L4 F/I	E-9244 ♦		145	1.4L F4 F/I	33-2748-1	
156	1.9L L4 DSL - JTD, 16v	E-9244		145	1.6L F4 F/I	33-2748-1	
156	2.0L L4 F/I	E-9244 ♦		145	1.8L L4 F/I	33-2748-1 ♦	
156	2.4L L5 DSL - JTD, 20v	E-9244		146	1.4L F4 F/I	33-2748-1	
156	2.5L V6 F/I - 190/192BHP	E-9244		146	1.6L F4 F/I	33-2748-1	
166	2.0L L4 F/I	E-9228		146	1.8L L4 F/I	33-2748-1 ♦	
166	2.0L V6 F/I	E-9228		146	2.0L L4 F/I	33-2748-1 ♦	
166	2.4L L5 DSL	E-9228		155	1.6L L4 F/I	33-2748-1 ♦	
166	2.5L V6 F/I	E-9228		155	1.8L L4 F/I	33-2748-1 ♦	
166	3.0L V6 F/I - 226BHP	E-9228		155	2.0L L4 F/I - 16v, exc. Turbo	33-2748-1 ♦	
GTV	1.8L L4 F/I	E-9228		155	2.0L L4 F/I - 8v, 16v Turbo	33-2689 ♦	
GTV	2.0L L4 F/I	E-9228		155	2.5L L4 DSL	33-2689	
GTV	2.0L V6 F/I - w/Panel Filter	33-2748-1		155	2.5L V6 F/I	33-2689	
GTV	2.0L V6 F/I - w/Round Filter	E-9228		156	1.6L L4 F/I	E-9244 ♦	
GTV	3.0L V6 F/I - AR16102 Eng.	E-9228		156	1.8L L4 F/I	E-9244 ♦	
Spider	1.8L L4 F/I	E-9228		156	1.9L L4 DSL - JTD, 16v	E-9244	
Spider	2.0L V6 F/I - w/Panel Filter	33-2748-1		156	2.0L L4 F/I	E-9244 ♦	
Spider	2.0L V6 F/I - w/Round Filter	E-9228		156	2.4L L5 DSL - JTD, 20v	E-9244	
Spider	3.0L V6 F/I - 192BHP, 12v	E-9228		156	2.5L V6 F/I - 190/192BHP	E-9244	
<b>1998 ALFA ROMEO</b>				164	2.0L L4 F/I	33-2645	
145	1.4L L4 F/I	33-2748-1		164	2.0L V6 F/I	33-2645	
145	1.6L L4 F/I	33-2748-1		164	3.0L V6 F/I	33-2645	
				164	2.0L L4 F/I	E-9228	
				GTV	2.0L L4 F/I	E-9228	
				GTV	2.0L V6 F/I - w/Panel Filter	33-2748-1	

\*Indicates 2 filters required      ♦ - Intake kit available      Applications updated daily at [knfilters.com](http://knfilters.com) ®

**Partial Listing - Complete List of Vehicles and Applications at [knfilters.com](http://knfilters.com)**

# ALFA ROMEO

# AIR & OIL FILTERS

Vehicle	Engine Type	Air Filter	Oil Filter
---------	-------------	------------	------------

1997 ALFA ROMEO			
GTV	2.0L V6 F/I - w/Round Filter	E-9228	
GTV	3.0L V6 F/I - AR16102 Eng.	E-9228	
Spider	2.0L V6 F/I - w/Panel Filter	33-2748-1	
Spider	2.0L V6 F/I - w/Round Filter	E-9228	
Spider	3.0L V6 F/I - 192BHP, 12v	E-9228	

## 1996 ALFA ROMEO

145	1.4L F4 F/I	33-2096	
145	1.6L F4 F/I	33-2096	
145	1.7L F4 F/I	33-2096	
146	1.4L F4 F/I	33-2096	
146	1.6L F4 F/I	33-2096	
146	1.7L F4 F/I	33-2096	
146	2.0L L4 F/I	33-2748-1 ♦	
155	1.6L L4 F/I	33-2748-1 ♦	
155	1.7L L4 F/I	33-2689	
155	1.8L L4 F/I - 140BHP, 16v, Twin Spark	33-2748-1 ♦	
155	1.8L L4 F/I - Twin Spark, 8v	33-2689 ♦	
155	2.0L L4 F/I - 16v, exc. Turbo	33-2748-1 ♦	
155	2.0L L4 F/I - 8v, 16v Turbo	33-2689 ♦	
155	2.5L L4 DSL	33-2689	
155	2.5L V6 F/I	33-2689	
164	2.0L L4 F/I	33-2645	
164	2.0L V6 F/I	33-2645	
164	2.5L L4 DSL	33-2645	
164	2.5L V6 F/I	33-2645	
164	3.0L V6 F/I	33-2645	
GTV	2.0L L4 F/I	E-9228	
GTV	2.0L V6 F/I - w/Panel Filter	33-2748-1	
GTV	2.0L V6 F/I - w/Round Filter	E-9228	
GTV	3.0L V6 F/I - AR16102 Eng.	E-9228	
Spider	2.0L V6 F/I - w/Panel Filter	33-2748-1	
Spider	2.0L V6 F/I - w/Round Filter	E-9228	
Spider	3.0L V6 F/I - 192BHP, 12v	E-9228	

## 1995 ALFA ROMEO

145	1.4L F4 F/I	33-2096	
145	1.6L F4 F/I	33-2096	
145	1.7L F4 F/I	33-2096	
146	1.4L F4 F/I	33-2096	
146	1.6L F4 F/I	33-2096	
146	1.7L F4 F/I	33-2096	
146	2.0L L4 F/I	33-2748-1 ♦	
155	1.7L L4 F/I	33-2689	
155	1.8L L4 F/I - Twin Spark, 8v	33-2689	
155	2.0L L4 F/I - 16v, exc. Turbo	33-2748-1 ♦	
155	2.0L L4 F/I - 8v, 16v Turbo	33-2689 ♦	
155	2.5L L4 DSL	33-2689	
155	2.5L V6 F/I	33-2689	
164	2.0L L4 F/I	33-2645	
164	2.0L V6 F/I	33-2645	
164	2.5L L4 DSL	33-2645	
164	2.5L V6 F/I	33-2645	
164	3.0L V6 F/I	33-2645	HP-1002
GTV	2.0L L4 F/I	E-9228	

Vehicle	Engine Type	Air Filter	Oil Filter
---------	-------------	------------	------------

1995 ALFA ROMEO			
GTV	2.0L V6 F/I - w/Panel Filter	33-2748-1	
GTV	2.0L V6 F/I - w/Round Filter	E-9228	
GTV	3.0L V6 F/I - AR16102 Eng.	E-9228	
Spider	2.0L V6 F/I - w/Panel Filter	33-2748-1	
Spider	2.0L V6 F/I - w/Round Filter	E-9228	
Spider	3.0L V6 F/I - 192BHP, 12v	E-9228	

## 1994 ALFA ROMEO

33	1.4L F4 F/I - 88/90BHP, i.e.	33-2096	
33	1.5L L4 F/I	33-2096	
33	1.7L F4 F/I	33-2096 ♦	
145	1.4L F4 F/I	33-2096	
145	1.6L F4 F/I	33-2096	
145	1.7L F4 F/I	33-2096	
146	1.4L F4 F/I	33-2096	
146	1.6L F4 F/I	33-2096	
155	1.7L L4 F/I	33-2689	
155	1.8L L4 F/I - Twin Spark, 8v	33-2689	
155	2.0L L4 F/I	33-2689	
155	2.5L L4 DSL	33-2689	
155	2.5L V6 F/I	33-2689	
164	2.0L L4 F/I	33-2645	
164	2.0L V6 F/I	33-2645	
164	2.5L L4 DSL	33-2645	
164	2.5L V6 F/I	33-2645	
164	3.0L V6 F/I	33-2645	HP-1002
Spider	2.0L L4 F/I		HP-2004

## 1993 ALFA ROMEO

33	1.4L F4 F/I - 88/90BHP, i.e.	33-2096	
33	1.5L L4 F/I	33-2096	
33	1.7L F4 F/I	33-2096 ♦	
33	1.8L L3 DSL	33-2096	
155	1.7L L4 F/I	33-2689	
155	1.8L L4 F/I - Twin Spark, 8v	33-2689	
155	2.0L L4 F/I	33-2689	
155	2.5L V6 DSL	33-2689	
155	2.5L V6 F/I	33-2689	
164	2.0L L4 F/I	33-2645	
164	2.0L V6 F/I	33-2645	
164	2.5L L4 DSL	33-2645	
164	2.5L V6 F/I	33-2645	
164	3.0L V6 F/I	33-2645	HP-2004
Spider	1.8L L4 F/I - 107BHP	33-2546	
Spider	2.0L L4 F/I	33-2546	HP-2004

## 1992 ALFA ROMEO

33	1.4L F4 F/I - 88/90BHP, i.e.	33-2096	
33	1.5L F4 F/I	33-2096	
33	1.7L F4 F/I	33-2096 ♦	
75/Milano	1.6L L4 F/I	33-2546	
75/Milano	1.8L L4 F/I - exc. Evoluzione	33-2546	
75/Milano	2.0L L4 F/I	33-2546	
75/Milano	3.0L V6 F/I	33-2545	
155	1.8L L4 F/I - Twin Spark, 8v	33-2689	
155	2.0L L4 F/I	33-2689	
155	2.5L V6 F/I	33-2689	
164	2.0L L4 F/I	33-2645	

\*Indicates 2 filters required

♦ - Intake kit available

Applications updated daily at [knfilters.com](http://knfilters.com) ®

# AIR & OIL FILTERS

# ALFA ROMEO

Vehicle	Engine Type	Air Filter	Oil Filter
<b>1992 ALFA ROMEO</b>			
164	2.0L V6 F/I	33-2645	
164	2.5L L4 DSL	33-2645	
164	2.5L V6 F/I	33-2645	
164	3.0L V6 F/I	33-2645	HP-2004
Spider	2.0L L4 F/I	33-2546	HP-2004
<b>1991 ALFA ROMEO</b>			
33	1.4L F4 F/I - 88/90BHP, i.e.	33-2096	
33	1.5L F4 F/I	33-2096	
33	1.7L F4 F/I	33-2096 ♦	
33	1.8L L3 DSL	33-2096	
75/Milano	1.6L L4 F/I	33-2546	
75/Milano	1.8L L4 F/I - exc. Evoluzione	33-2546	
75/Milano	2.0L L4 F/I	33-2546	
75/Milano	3.0L V6 F/I	33-2545	
164	2.0L L4 F/I	33-2645	
164	2.0L V6 F/I	33-2645	
164	3.0L V6 F/I	33-2645	HP-2004
Spider	1.8L L4 F/I - 107BHP	33-2546	
Spider	2.0L L4 F/I	33-2546	HP-2004
<b>1990 ALFA ROMEO</b>			
33	1.5L F4 CARB	33-2096	
33	1.7L F4 CARB	33-2096	
33	1.7L F4 F/I	33-2096 ♦	
33	1.8L L3 DSL	33-2096	
75/Milano	1.6L L4 F/I	33-2546	
75/Milano	1.8L L4 F/I - exc. Evoluzione	33-2546	
75/Milano	2.0L L4 F/I	33-2546	
75/Milano	3.0L V6 F/I	33-2545	
164	2.0L L4 F/I	33-2645	
164	2.5L L4 DSL	33-2645	
164	3.0L V6 F/I	33-2645	
Spider	1.8L L4 F/I - 107BHP	33-2546	
Spider	2.0L L4 F/I	33-2546	HP-2004
<b>1989 ALFA ROMEO</b>			
33	1.2L F4 CARB	E-1015	
33	1.3L F4 CARB - 79/86BHP, Panel Filter	33-2096	
33	1.3L F4 CARB - 79/86BHP, Round Filter	E-1015	
33	1.5L F4 CARB	33-2096	
33	1.7L F4 CARB	33-2096	
75/Milano	1.8L L4 CARB	33-2508	
75/Milano	1.8L L4 F/I - exc. Evoluzione	33-2546	
75/Milano	2.0L L4 CARB	33-2508	
75/Milano	2.0L L4 F/I	33-2546	
75/Milano	2.5L V6 F/I - 229x333mm	33-2546	
75/Milano	3.0L V6 F/I	33-2545	HP-2004
164	3.0L V6 F/I	33-2645	
Milano	2.5L V6 F/I - US	33-2545	HP-2004
Spider	1.6L L4 CARB	33-2546	
Spider	2.0L L4 F/I	33-2546	HP-2004
<b>1988 ALFA ROMEO</b>			
33	1.2L F4 CARB	E-1015	
33	1.3L F4 CARB - 79/86BHP, Round Filter	E-1015	
33	1.5L F4 CARB	33-2096	
33	1.7L F4 CARB	33-2096	
75/Milano	1.6L L4 CARB	33-2508	
75/Milano	1.6L L4 F/I	33-2546	
75/Milano	1.8L L4 F/I - exc. Evoluzione	33-2546	

Vehicle	Engine Type	Air Filter	Oil Filter
<b>1988 ALFA ROMEO</b>			
75/Milano	2.0L L4 CARB	33-2508	
75/Milano	2.0L L4 F/I	33-2546	
75/Milano	2.5L V6 F/I - 221x397mm	33-2545	
75/Milano	2.5L V6 F/I - 229x333mm	33-2546	
75/Milano	3.0L V6 F/I	33-2545	HP-2004
Milano	2.5L V6 F/I - US	33-2545	HP-2004
Spider	1.6L L4 CARB	33-2546	
Spider	2.0L L4 F/I	33-2546	HP-2004
Sprint	1.7L F4 CARB - 118BHP, OHC, Green Cloverleaf	33-2096	
<b>1987 ALFA ROMEO</b>			
33	1.3L F4 CARB - 79/86BHP, Panel Filter	33-2096	
33	1.3L F4 CARB - 79/86BHP, Round Filter	E-1015	
33	1.5L F4 CARB	33-2096	
33	1.7L F4 CARB	33-2096	
75/Milano	1.8L L4 F/I - exc. Evoluzione	33-2546	
75/Milano	2.0L L4 CARB	33-2508	
75/Milano	2.0L L4 F/I	33-2546	
75/Milano	2.5L V6 F/I - 221x397mm	33-2545	
75/Milano	2.5L V6 F/I - 229x333mm	33-2546	
75/Milano	3.0L V6 F/I	33-2545	HP-2004
GTV-6	2.5L V6 F/I	33-2545	
Milano	2.5L V6 F/I - US	33-2545	HP-2004
Spider	2.0L L4 F/I	33-2546	HP-2004
<b>1986 ALFA ROMEO</b>			
33	1.5L F4 CARB - Round Filter	E-1015	
33	1.8L L3 DSL	33-2096	
75/Milano	1.6L L4 F/I	33-2546	
75/Milano	1.8L L4 CARB	33-2508	
75/Milano	1.8L L4 F/I - exc. Evoluzione	33-2546	
75/Milano	2.5L V6 F/I - 221x397mm	33-2545	
75/Milano	2.5L V6 F/I - 229x333mm	33-2546	
Alfetta	2.0L L4 CARB	33-2508	
Alfetta	2.0L L4 F/I	33-2546	
GTV-6	2.5L V6 F/I	33-2545	HP-2004
Spider	1.6L L4 CARB	33-2546	
Spider	2.0L L4 F/I	33-2546	HP-2004
<b>1985 ALFA ROMEO</b>			
33	1.5L F4 CARB - Panel Filter	33-2096	
33	1.5L F4 CARB - Round Filter	E-1015	
75/Milano	2.0L L4 CARB	33-2508	
75/Milano	2.5L V6 F/I - 221x397mm	33-2545	
75/Milano	2.5L V6 F/I - 229x333mm	33-2546	
Alfetta	2.0L L4 CARB	33-2508	
Alfetta	2.0L L4 F/I	33-2546	
GTV-6	2.5L V6 F/I	33-2545	HP-2004
Spider	2.0L L4 F/I	33-2546	HP-2004
<b>1984 ALFA ROMEO</b>			
33	1.5L F4 CARB - Panel Filter	33-2096	
33	1.5L F4 CARB - Round Filter	E-1015	
Alfetta	2.0L L4 F/I	33-2546	
GTV-6	2.5L V6 F/I	33-2545	HP-2004

\*Indicates 2 filters required

♦ - Intake kit available

Applications updated daily at [knfilters.com](http://knfilters.com) ®

Partial Listing - Complete List of Vehicles and Applications at [knfilters.com](http://knfilters.com)

# ALFA ROMEO

# AIR & OIL FILTERS

Vehicle	Engine Type	Air Filter	Oil Filter
<b>1984 ALFA ROMEO</b>			
Spider	2.0L L4 F/I	33-2546	HP-2004
<b>1983 ALFA ROMEO</b>			
33	1.5L F4 CARB - Round Filter	E-1015	
Alfetta	2.0L L4 CARB	33-2508	
Alfetta	2.0L L4 F/I	33-2546	
GTV-6	2.5L V6 F/I	33-2545	HP-2004
Spider	2.0L L4 F/I	33-2546	HP-2004
Sprint	1.5L F4 CARB - 105BHP, OHC, Green Cloverleaf	33-2096	
<b>1982 ALFA ROMEO</b>			
Alfetta	2.0L L4 CARB	33-2508	
GTV-6	2.5L V6 F/I	33-2545	HP-2004
Spider	2.0L L4 F/I	33-2546	HP-2004
<b>1981 ALFA ROMEO</b>			
Alfetta	2.0L L4 CARB	33-2508	
GTV-6	2.5L V6 F/I	33-2545	HP-2004
Spider	2.0L L4 F/I	E-2510	HP-2004
<b>1980 ALFA ROMEO</b>			
Alfasud	1.5L F4 CARB - Round Filter	E-1015	
Alfetta	2.0L L4 F/I		HP-2004
Spider	2.0L L4 F/I	E-2510	HP-2004
<b>1979 ALFA ROMEO</b>			
Alfetta	2.0L L4 F/I		HP-2004
Spider	2.0L L4 F/I	E-2510	HP-2004
<b>1978 ALFA ROMEO</b>			
Alfasud	1.3L F4 CARB - Round Filter	E-1015	
Alfasud	1.5L F4 CARB - Round Filter	E-1015	
Alfetta	2.0L L4 F/I		HP-2004
Spider	2.0L L4 CARB	E-2510	
Spider	2.0L L4 F/I	E-2510	HP-2004
Sport	2.0L L4 F/I		HP-2004
Sprint	2.0L L4 F/I		HP-2004
<b>1977 ALFA ROMEO</b>			
2000	2.0L L4 CARB	E-2040	
Spider	2.0L L4 F/I		HP-2004
<b>1976 ALFA ROMEO</b>			
2000	2.0L L4 CARB	E-2040	
Alfetta	2.0L L4 F/I		HP-2004
Spider	2.0L L4 F/I		HP-2004
<b>1975 ALFA ROMEO</b>			
2000	2.0L L4 CARB	E-2040	
Alfetta	2.0L L4 F/I		HP-2004
Spider	2.0L L4 F/I		HP-2004
<b>1974 ALFA ROMEO</b>			
2000	2.0L L4 CARB	E-2040	
GT Veloce	2.0L L4 F/I		HP-2004
Spider	2.0L L4 F/I		HP-2004
<b>1973 ALFA ROMEO</b>			
2000	2.0L L4 CARB	E-2040	
Giulia	1.3L L4 CARB	E-9123	
GT Veloce	2.0L L4 F/I		HP-2004
Spider	2.0L L4 F/I		HP-2004
<b>1972 ALFA ROMEO</b>			
1750	1.75L L4 CARB	E-2040	
2000	2.0L L4 CARB	E-2040	

Vehicle	Engine Type	Air Filter	Oil Filter
<b>1972 ALFA ROMEO</b>			
Alfetta	2.0L L4 F/I		HP-2004
Giulia	1.3L L4 CARB	E-9123	
GT Veloce	2.0L L4 F/I		HP-2004
Spider	2.0L L4 F/I		HP-2004
<b>1971 ALFA ROMEO</b>			
1750	1.75L L4 CARB	E-2040	
2000	2.0L L4 CARB	E-2040	
<b>1970 ALFA ROMEO</b>			
1750	1.75L L4 CARB	E-2040	
Giulia	1.3L L4 CARB	E-9123	
<b>1969 ALFA ROMEO</b>			
1750	1.75L L4 CARB	E-2040	
<b>1968 ALFA ROMEO</b>			
1750	1.75L L4 CARB	E-2040	
2600	2.6L L6 CARB	E-2510	HP-3001
<b>1966 ALFA ROMEO</b>			
2600	2.6L L6 CARB	E-2510	HP-3001
<b>1964 ALFA ROMEO</b>			
2600	2.6L L6 CARB	E-2510	HP-3001
<b>1988 AMC</b>			
Eagle	4.2L L6 CARB	E-1080	
<b>1987 AMC</b>			
Eagle	4.2L L6 CARB	E-1080	HP-2007
<b>1986 AMC</b>			
Eagle	4.2L L6 CARB	E-1080	HP-1007
<b>1985 AMC</b>			
Eagle	4.2L L6 CARB	E-1080	HP-1007
<b>1984 AMC</b>			
Eagle	4.2L L6 CARB	E-1080	HP-1007
<b>1983 AMC</b>			
Eagle	4.2L L6 CARB	E-1080	HP-1007
<b>1982 AMC</b>			
Eagle	4.2L L6 CARB	E-1080	HP-2003
<b>1981 AMC</b>			
Concord	4.2L L6 CARB	E-1080	HP-2003
Eagle	4.2L L6 CARB	E-1080	HP-2003
Spirit	4.2L L6 CARB	E-1080	HP-2003
<b>1980 AMC</b>			
AMX	258 L6 CARB	E-1080	HP-2003
Eagle	258 L6 CARB	E-1080	HP-2003
<b>1979 AMC</b>			
AMX	304 V8 CARB	E-1090	HP-2003
Concord	304 V8 CARB	E-1090	HP-2003
Pacer	258 L6 CARB	E-1080	HP-2003
<b>1978 AMC</b>			
AMX	258 L6 CARB	E-1080	HP-2003
AMX	304 V8 CARB	E-1090	HP-2003
Gremlin	232 L6 CARB	E-1080	HP-2003
Gremlin	258 L6 CARB	E-1080	HP-2003
Matador	360 V8 CARB	E-1100	HP-2003
Pacer	258 L6 CARB	E-1080	HP-2003
<b>1977 AMC</b>			
Gremlin	258 L6 CARB	E-1080	HP-2003
Hornet	304 V8 CARB	E-1090	HP-2003
Matador	360 V8 CARB	E-1100	HP-2003

\*Indicates 2 filters required

◆ - Intake kit available

Applications updated daily at [knfilters.com](http://knfilters.com) ®

# AIR & OIL FILTERS

# AMC

Vehicle	Engine Type	Air Filter	Oil Filter
<b>1977 AMC</b>			
Pacer	258 L6 CARB	E-1080	HP-2003
<b>1976 AMC</b>			
Pacer	258 L6 CARB	E-1080	HP-2003
<b>1975 AMC</b>			
Matador	304 V8 CARB	E-1100	HP-2003
Matador	360 V8 2 BBL.	E-1100	HP-2003
Matador	360 V8 4 BBL.	E-1080	HP-2003
Matador	401 V8 CARB	E-1100	HP-2003
<b>1974 AMC</b>			
Gremlin	232 L6 CARB	E-1080	HP-2003
Gremlin	258 L6 CARB	E-1080	HP-2003
Gremlin	304 V8 CARB	E-1090	HP-2003
Matador	401 V8 CARB	E-1100	HP-2003
<b>1973 AMC</b>			
Hornet	360 V8 CARB	E-1090	HP-2003
<b>1971 AMC</b>			
Hornet	360 V8 CARB	E-1100	HP-2003
<b>1970 AMC</b>			
AMX	360 V8 CARB	E-1957	
AMX	390 V8 CARB	E-1957	
Rebel	390 V8 CARB	E-1957	HP-2003
<b>1969 AMC</b>			
Ambassador	343 V8 CARB		HP-2003
AMX	290 V8 CARB - 2 BBL	E-1010	
AMX	290 V8 CARB - 4 BBL	E-1957	
AMX	343 V8 CARB - 2 BBL	E-1010	
AMX	343 V8 CARB - 4 BBL	E-1957	
AMX	390 V8 CARB	E-1957	
<b>1968 AMC</b>			
AMX	390 V8 CARB	E-1957	
<b>1965 AMC</b>			
Marlin	327 V8 CARB	E-1957	HP-2003
<b>2010 APRILIA</b>			
RSV 1000 R	1000	AL-1004	
RSV 1000 R Factory	1000	AL-1004	
SXV 450 Super Moto	450	AL-4506	
SXV 550 Super Moto	550	AL-4506	
Tuono 1000 R	1000	AL-1004	KN-152
Tuono 1000 R Factory	1000	AL-1004	KN-152
<b>2009 APRILIA</b>			
RSV 1000 R	1000	AL-1004	KN-152
RSV 1000 R Factory	1000	AL-1004	KN-152
RSV 1000 R Tuono	1000		KN-152
SXV 450 Street Legal	450		KN-563
SXV 450 Super Moto	450	AL-4506	KN-563
SXV 550 Street Legal	550		KN-563
SXV 550 Super Moto	550	AL-4506	KN-563
Tuono 1000 R	1000	AL-1004	KN-152
Tuono 1000 R Factory	1000	AL-1004	KN-152
<b>2008 APRILIA</b>			
ETV1000 Caponord	1000	AL-1002	KN-152
Pegaso 650	660	AL-6505	KN-145
Pegaso 650 Factory	660	AL-6505	KN-145
Pegaso 650 Trail	660	AL-6505	KN-145
Pegaso 660 Street	660		KN-145
Pegaso 660 Trail	660		KN-145

Vehicle	Engine Type	Air Filter	Oil Filter
<b>2008 APRILIA</b>			
Pegaso 660 Trail	660		KN-145
RSV 1000 R	1000	AL-1004	KN-152
RSV 1000 R Factory	1000	AL-1004	KN-152
RSV 1000 R Tuono	1000		KN-152
RSV Mille R Nera	1000		KN-152
RXV 450 Enduro	450	AL-4506	KN-563
RXV 550 Enduro	550	AL-4506	KN-563
SL1000 Falco	1000		KN-152
SXV 450 Super Moto	450	AL-4506	KN-563
SXV 550 Super Moto	550	AL-4506	KN-563
Tuono 1000 R	1000	AL-1004	KN-152
Tuono 1000 R Factory	1000	AL-1004	KN-152
<b>2007 APRILIA</b>			
ETV1000 Caponord	1000	AL-1002	KN-152
Pegaso 650	660	AL-6505	KN-145
Pegaso 650 Factory	660	AL-6505	KN-145
Pegaso 650 Trail	660	AL-6505	KN-145
Pegaso 660 Factory	660		KN-145
Pegaso 660 Street	660		KN-145
Pegaso 660 Trail	660		KN-145
RSV 1000 R	1000	AL-1004	KN-152
RSV 1000 R Factory	1000	AL-1004	KN-152
RSV 1000 R Tuono	1000		KN-152
RSV Mille R Nera	1000		KN-152
RXV 450 Enduro	450	AL-4506	KN-563
RXV 550 Enduro	550	AL-4506	KN-563
SL1000 Falco	1000		KN-152
SXV 450 Super Moto	450	AL-4506	KN-563
SXV 550 Super Moto	550	AL-4506	KN-563
Tuono 1000 R	1000	AL-1004	KN-152
Tuono 1000 R Factory	1000	AL-1004	KN-152
<b>2006 APRILIA</b>			
ETV1000 Caponord	1000	AL-1002	KN-152
Pegaso 650 Trail	660	AL-6505	KN-145
Pegaso 660 Factory	660		KN-145
Pegaso 660 Street	660		KN-145
Pegaso 660 Trail	660		KN-145
RST1000 Futura	1000		KN-152
RSV 1000 R	1000	AL-1004	KN-152
RSV 1000 R Factory	1000	AL-1004	KN-152
RSV 1000 R Tuono	1000		KN-152
RSV Mille R Nera	1000		KN-152
RXV 450 Enduro	450	AL-4506	KN-563
RXV 550 Enduro	550	AL-4506	KN-563
SL1000 Falco	1000		KN-152
SXV 450 Super Moto	450	AL-4506	KN-563
SXV 550 Super Moto	550	AL-4506	KN-563
Tuono 1000 R	1000	AL-1004	KN-152
Tuono 1000 R Factory	1000	AL-1004	KN-152
<b>2005 APRILIA</b>			
ETV1000 Caponord	1000	AL-1002	KN-152
Leonardo 125	125		KN-185
Leonardo 150	150		KN-185
Pegaso 650 Strada	660	AL-6505	KN-145
Pegaso 660 Factory	660		KN-145
Pegaso 660 Street	660		KN-145
Pegaso 660 Trail	660		KN-145
RST1000 Futura	1000		KN-152
RSV 1000 R	1000	AL-1004	KN-152
RSV 1000 R Factory	1000	AL-1004	KN-152

\*Indicates 2 filters required

◆ - Intake kit available

Applications updated daily at [knfilters.com](http://knfilters.com) ®

**Partial Listing - Complete List of Vehicles and Applications at [knfilters.com](http://knfilters.com)**



# APRILIA

# AIR & OIL FILTERS

Vehicle	Engine Type	Air Filter	Oil Filter
<b>2005 APRILIA</b>			
RSV 1000 R Tuono	1000		KN-152
RSV Mille R Nera	1000		KN-152
SL1000 Falco	1000		KN-152
Tuono 1000 R	1000	AL-1001	KN-152
Tuono 1000 R Factory	1000	AL-1001	KN-152
<b>2004 APRILIA</b>			
ETV1000 Caponord	1000	AL-1002	KN-152
ETV1000 Caponord Rally Raid	1000		KN-152
Leonardo 125	125		KN-185
Leonardo 150	150		KN-185
Pegaso 650 i.e.	650	AL-6502	KN-151
Pegaso 650 i.e. Tuscany Tibet Raid	650		KN-151
RST1000 Futura	1000	AL-1098	KN-152
RSV 1000 R Factory	1000		KN-152
RSV 1000 R Tuono	1000		KN-152
RSV Mille	1005		KN-152
RSV Mille Factory	1000	AL-1004	KN-152
RSV Mille R	1000	AL-1004	KN-152
RSV Mille R Nera	1000		KN-152
SL1000 Falco	1000	AL-1098	KN-152
Tuono 1000 R	1000	AL-1001	KN-152
Tuono Fighter	1000	AL-1001	KN-152
Tuono Racing	1000	AL-1001	KN-152
<b>2003 APRILIA</b>			
ETV1000 Caponord	1000	AL-1002	KN-152
Leonardo 125	123		KN-185
Leonardo 150	151		KN-185
Pegaso 650 i.e.	650	AL-6502	KN-151
RST1000 Futura	1000	AL-1098	KN-152
RSV Mille	1005	AL-1001	KN-152
RSV Mille R	1000	AL-1001	KN-152
Scarabeo 125	123 - Rotax Engine		KN-185
Scarabeo 125 GT	125 - Rotax Engine		KN-185
Scarabeo 150	151		KN-185
Scarabeo 200	200 - Rotax Engine		KN-185
Scarabeo 200 GT	200 - Rotax Engine		KN-185
SL1000 Falco	1005	AL-1098	KN-152
Tuono Fighter	1000	AL-1001	KN-152
<b>2002 APRILIA</b>			
ETV1000 Caponord	1000	AL-1002	KN-152
Leonardo 125	123		KN-185
Leonardo 150	151		KN-185
Pegaso 650 i.e.	650	AL-6502	KN-151
RST1000 Futura	1000	AL-1098	KN-152
RSV Mille	1005	AL-1001	KN-152
RSV Mille R	1000	AL-1001	KN-152
RSV Mille SP	1000		KN-152
Scarabeo 125	123 - Rotax Engine		KN-185
Scarabeo 125 GT	125 - Rotax Engine		KN-185
Scarabeo 150	151		KN-185
Scarabeo 200	200 - Rotax Engine		KN-185
Scarabeo 200 GT	200 - Rotax Engine		KN-185
SL1000 Falco	1005	AL-1098	KN-152
<b>2001 APRILIA</b>			
ETV1000 Caponord	1000	AL-1002	KN-152
Leonardo 125	123		KN-185
Leonardo 150	151		KN-185
Moto 650	644		KN-151
Pegaso 650 i.e.	650	AL-6502	KN-151

Vehicle	Engine Type	Air Filter	Oil Filter
<b>2001 APRILIA</b>			
RST1000 Futura	1000	AL-1098	KN-152
RSV Mille	1005	AL-1001	KN-152
RSV Mille R	1000	AL-1001	KN-152
RSV Mille SP	1000	AL-1098	KN-152
Scarabeo 125	123		KN-185
Scarabeo 150	151		KN-185
Scarabeo 200	200 - Rotax Engine		KN-185
Scarabeo 200 GT	200 - Rotax Engine		KN-185
SL1000 Falco	1005	AL-1098	KN-152
<b>2000 APRILIA</b>			
Leonardo 125	123		KN-185
Leonardo 150	151		KN-185
Moto 650	644		KN-151
Pegaso 650	650	AL-6502	KN-151
Pegaso 650 Cube	650		KN-151
RSV Mille	1005	AL-1098	KN-152
RSV Mille R	1000	AL-1001	KN-152
RSV Mille SL	1000		KN-152
RSV Mille SP	1000	AL-1098	KN-152
Scarabeo 125	123		KN-185
Scarabeo 150	151		KN-185
Scarabeo 200	200 - Rotax Engine		KN-185
Scarabeo 200 GT	200 - Rotax Engine		KN-185
SL1000 Falco	1005	AL-1098	KN-152
<b>1999 APRILIA</b>			
Leonardo 125	123		KN-185
Leonardo 150	151		KN-185
Moto 650	644		KN-151
Pegaso 650	650	AL-6502	KN-151
RSV Mille	1005	AL-1098	KN-152
Scarabeo 125	123		KN-185
Scarabeo 150	151		KN-185
Scarabeo 200	200 - Rotax Engine		KN-185
Scarabeo 200 GT	200 - Rotax Engine		KN-185
<b>1998 APRILIA</b>			
Leonardo 125	123		KN-185
Leonardo 150	151		KN-185
Moto 650	644		KN-151
Pegaso 650	650	AL-6502	KN-151
RSV Mille	1005	AL-1098	KN-152
<b>1997 APRILIA</b>			
Leonardo 125	123		KN-185
Leonardo 150	151		KN-185
Moto 650	644		KN-151
Pegaso 650	650	AL-6502	KN-151
<b>1996 APRILIA</b>			
Leonardo 125	123		KN-185
Moto 650	644		KN-151
Pegaso 650	650		KN-151
<b>1995 APRILIA</b>			
Moto 650	644		KN-151
Pegaso 650	650		KN-151
<b>1994 APRILIA</b>			
Pegaso 650	650		KN-151
<b>1993 APRILIA</b>			
Pegaso 650	650		KN-151
Tuareg 600	600		KN-151
<b>1992 APRILIA</b>			
Tuareg 600	600		KN-151

\*Indicates 2 filters required

◆ - Intake kit available

Applications updated daily at [knfilters.com](http://knfilters.com) ®

# AIR & OIL FILTERS

# APRILIA

Vehicle	Engine Type	Air Filter	Oil Filter	Vehicle	Engine Type	Air Filter	Oil Filter
<b>1991 APRILIA</b>				<b>2008 ARCTIC CAT</b>			
Tuareg 600	600		KN-151	500 4x4 Auto TRV	500	AC-4004	KN-621
<b>1990 APRILIA</b>				650 H1 4x4 Auto	650		KN-621
ETX350 Tuareg Wind	350		KN-151	650 H1 4x4 Auto TRV	650		KN-621
Tuareg 600	600		KN-151	700 EFI 4x4 Auto	700		KN-621
<b>1989 APRILIA</b>				700 EFI 4x4 Auto M4	700		KN-621
ETX350	350		KN-151	700 EFI 4x4 Auto	700		KN-621
ETX350 Tuareg Wind	350		KN-151	TRV LE			
Tuareg 600	600		KN-151	700 H1 EFI 4x4 Auto	700		KN-621
<b>1988 APRILIA</b>				SE			
ETX350	350		KN-151	DVX250	250	KY-2504	
ETX350 Tuareg Wind	350		KN-151	DVX400	400	SU-4002	KN-139
Tuareg 600	600		KN-151	Prowler 650 4x4 Auto	650		KN-621
<b>1987 APRILIA</b>				Prowler XT 650 4x4	650		KN-621
ETX350	350		KN-151	Auto			
Tuareg 600	600		KN-151	Prowler XT 650 4x4	650		KN-621
<b>1985 APRILIA</b>				Auto M4			
ETX350	350		KN-151	Prowler XT 650 H1	650		KN-621
Tuareg 600	600		KN-151	Thundercat 4x4 Auto	950		KN-621
<b>2010 ARCTIC CAT</b>				<b>2007 ARCTIC CAT</b>			
650 H1 4x4 Auto	650	AC-4004		250 2x4 Auto	250	KY-2504	
<b>2009 ARCTIC CAT</b>				400 4x4	400	AC-4004	KN-138
250	250	KY-2504				AC-4004	KN-138C
366 4x4 Auto	366		KN-621	400 4x4 Auto	400	AC-4004	KN-138
500 4x4	500	AC-4004	KN-621	400 4x4 Auto LE	400	AC-4004	KN-138C
550 H1 EFI	550		KN-621	400 4x4 Auto TRV	400	AC-4004	KN-138
550 H1 EFI LE	550		KN-621	Plus		AC-4004	KN-138C
700 H1 EFI	700		KN-621				
700 H1 EFI LE	700		KN-621	500 4x4	500	AC-4004	KN-138
700 H1 EFI Mudpro	700		KN-621			AC-4004	KN-138C
700 H1 EFI SE	700		KN-621	500 4x4 Auto	500	AC-4004	KN-138
DVX300	300	KY-2504				AC-4004	KN-138C
Prowler 550 H1 EFI	550		KN-621	650 H1 4x4 Auto	650	AC-4004	KN-621
Prowler XT 650 4x4	650		KN-621	650 H1 4x4 Auto LE	650	AC-4004	KN-621
Auto M4				650 H1 4x4 Auto TBX	650	AC-4004	KN-621
Prowler XT 650 H1	650		KN-621	650 H1 4x4 Auto TRV	650	AC-4004	KN-621
Prowler XT 700 H1	700		KN-621	Plus			
EFI				650 H1 4x4 TRV Plus	650	AC-4004	KN-621
Prowler XTX 700 H1	700		KN-621	LE			
EFI				700 EFI 4x4 Auto	700		KN-621
Prowler XTX 700 H1	700		KN-621	700 EFI 4x4 Auto LE	700		KN-621
EFI LE				DVX250	250	KY-2504	
Prowler XTZ 1000 H2	950		KN-621	DVX400	400	SU-4002	KN-139
EFI				DVX400 TS	400	SU-4002	KN-139
TBX650	650		KN-621	Prowler 650 H1	650	AC-4004	KN-621
Thundercat 1000 H2	950		KN-621	Prowler XT 650 H1	650	AC-4004	KN-621
TRV400	400		KN-621	<b>2006 ARCTIC CAT</b>			
TRV550 H1 EFI	550		KN-621	250 2x4 Auto	250	KY-2504	
TRV550 H1 EFI LE	550		KN-621	400 4x4	400	AC-4004	KN-138
TRV650 H1	650		KN-621			AC-4004	KN-138C
TRV700 H1 EFI	700		KN-621	400 4x4 Auto	400	AC-4004	KN-138
Cruiser						AC-4004	KN-138C
TRV1000 H2 EFI	950		KN-621	400 4x4 Auto LE	400	AC-4004	KN-138
Cruiser						AC-4004	KN-138C
<b>2008 ARCTIC CAT</b>				400 4x4 Auto TBX	400	AC-4004	KN-138
250 2x4 Auto	250	KY-2504		400 4x4 Auto TRV	400	AC-4004	KN-138
366 4x4 Auto	366		KN-621			AC-4004	KN-138C
400 4x4 Auto	400	AC-4004	KN-138	400 4x4 Auto VP	400	AC-4096-1	KN-138
		AC-4004	KN-138C			AC-4096-1	KN-138C
500 4x4	500	AC-4004	KN-138	400 4x4 VP	400	AC-4096-1	KN-138
		AC-4004	KN-138C			AC-4096-1	KN-138C
500 4x4 Auto	500	AC-4004	KN-621	500 4x4	500	AC-4004	KN-138
500 4x4 Auto M4	500	AC-4004	KN-621				

\*Indicates 2 filters required      ♦ - Intake kit available      Applications updated daily at [knfilters.com](http://knfilters.com) ®

**Partial Listing - Complete List of Vehicles and Applications at [knfilters.com](http://knfilters.com)**

# ARCTIC CAT

# AIR & OIL FILTERS

Vehicle	Engine Type	Air Filter	Oil Filter	Vehicle	Engine Type	Air Filter	Oil Filter
<b>2006 ARCTIC CAT</b>				<b>2004 ARCTIC CAT</b>			
500 4x4	500	AC-4004	KN-138C	400 4x4 Auto	400	AC-4096-1	KN-138
500 4x4 Auto	500	AC-4004	KN-138			AC-4096-1	KN-138C
		AC-4004	KN-138C	400 4x4 Auto ACT	400	AC-4096-1	KN-138
500 4x4 Auto LE	500	AC-4004	KN-138			AC-4096-1	KN-138C
		AC-4004	KN-138C	400 4x4 Auto TBX	400	AC-4096-1	KN-138
500 4x4 Auto TBX	500	AC-4004	KN-138			AC-4096-1	KN-138C
		AC-4004	KN-138C	500 4x4	500		KN-138
500 4x4 Auto TRV	500	AC-4004	KN-138				KN-138C
		AC-4004	KN-138C	500 4x4 Auto	500		KN-138
650 H1 4x4 SE	650	AC-6504	KN-621				KN-138C
650 V2 4x4	650	AC-6504	KN-204	500 4x4 Auto TBX	500		KN-138
		AC-6504	KN-204C				KN-138C
650 V2 4x4 LE TS	650	AC-6504	KN-204	500 4x4 Auto TRV	500		KN-138
		AC-6504	KN-204C				KN-138C
DVX250	250	KY-2504		650 4x4 Auto	650	AC-6504	KN-204
DVX400	400	SU-4002	KN-139			AC-6504	KN-204C
DVX400 TS	400	SU-4002	KN-139	650 4x4 Auto LE	650	AC-6504	KN-204
Prowler XT 650 H1	650	AC-4004	KN-621			AC-6504	KN-204C
<b>2005 ARCTIC CAT</b>				650 V2 4x4 Auto	650		KN-204
250 2x4	250	AC-3098	KN-132				KN-204C
250 4x4	250	AC-3098	KN-132	650 V2 4x4 Auto LE	650		KN-204
300 4x4	300	AC-3098	KN-132				KN-204C
400 4x4	400	AC-4096-1	KN-138	DVX400	400	SU-4002	KN-139
		AC-4096-1	KN-138C	<b>2003 ARCTIC CAT</b>			
400 4x4 Auto	400	AC-4096-1	KN-138	250 2x4	250	AC-3098	KN-132
		AC-4096-1	KN-138C	250 4x4	250	AC-3098	KN-132
400 4x4 Auto LE	400	AC-4096-1	KN-138	300 2x4	276	AC-3098	KN-132
		AC-4096-1	KN-138C	300 4x4	300	AC-3098	KN-132
400 4x4 Auto TBX	400	AC-4096-1	KN-138	400 2x4	400	AC-4096-1	KN-138
		AC-4096-1	KN-138C			AC-4096-1	KN-138C
400 4x4 Auto VP	400	AC-4096-1	KN-138	400 2x4 Auto	400	AC-4096-1	KN-138
		AC-4096-1	KN-138C			AC-4096-1	KN-138C
400 4x4 VP	400	AC-4096-1	KN-138	400 4x4	400	AC-4096-1	KN-138
		AC-4096-1	KN-138C			AC-4096-1	KN-138C
500 4x4	500	AC-4004	KN-138	400 4x4 ACT	400	AC-4096-1	KN-138
		AC-4004	KN-138C			AC-4096-1	KN-138C
500 4x4 Auto	500	AC-4004	KN-138	400 4x4 Auto	400	AC-4096-1	KN-138
		AC-4004	KN-138C			AC-4096-1	KN-138C
500 4x4 Auto LE	500	AC-4004	KN-138	400 4x4 Auto ACT	400	AC-4096-1	KN-138
		AC-4004	KN-138C			AC-4096-1	KN-138C
500 4x4 Auto TBX	500	AC-4004	KN-138	400 4x4 Auto MRP	400	AC-4096-1	KN-138
		AC-4004	KN-138C			AC-4096-1	KN-138C
500 4x4 Auto TRV	500		KN-138	500 4x4	500		KN-138
			KN-138C				KN-138C
650 H1 4x4 Auto	650	AC-4004	KN-138	500 4x4 Auto	500		KN-138
		AC-4004	KN-138C				KN-138C
650 V2 4x4 Auto	650	AC-6504	KN-204	500 4x4 Auto MRP	500		KN-138
		AC-6504	KN-204C				KN-138C
650 V2 4x4 Auto LE	650	AC-6504	KN-204	500 4x4 Auto TBX	500		KN-138
		AC-6504	KN-204C				KN-138C
DVX400	400	SU-4002	KN-139	<b>2002 ARCTIC CAT</b>			
<b>2004 ARCTIC CAT</b>				250 2x4	250	AC-3098	KN-132
250 2x4	250	AC-3098	KN-132	250 4x4	250	AC-3098	KN-132
250 4x4	250	AC-3098	KN-132	300 2x4	276	AC-3098	KN-132
300 4x4	276	AC-3098	KN-132	300 4x4	300	AC-3098	KN-132
400 2x4	400	AC-4096-1	KN-138	375 2x4	375	AC-4096-1	KN-138
		AC-4096-1	KN-138C			AC-4096-1	KN-138C
400 2x4 Auto	400	AC-4096-1	KN-138	375 4x4	375	AC-4096-1	KN-138
		AC-4096-1	KN-138C			AC-4096-1	KN-138C
400 4x4	400	AC-4096-1	KN-138	400 2x4	375	AC-4096-1	KN-138
		AC-4096-1	KN-138C			AC-4096-1	KN-138C
400 4x4 ACT	400	AC-4096-1	KN-138	400 4x4	400	AC-4096-1	KN-138
		AC-4096-1	KN-138C			AC-4096-1	KN-138C

\*Indicates 2 filters required

◆ - Intake kit available

Applications updated daily at [knfilters.com](http://knfilters.com) ®

# AIR & OIL FILTERS

# ARCTIC CAT

Vehicle	Engine Type	Air Filter	Oil Filter
<b>2002 ARCTIC CAT</b>			
500 4x4	487	AC-4096-1	KN-138
		AC-4096-1	KN-138C
500 4x4 Auto	500	AC-4096-1	KN-138
		AC-4096-1	KN-138C
500 4x4 Auto TBX	500	AC-4096-1	KN-138
		AC-4096-1	KN-138C
<b>2001 ARCTIC CAT</b>			
250 2x4	250	AC-3098	KN-132
250 4x4	250	AC-3098	KN-132
300 2x4	276	AC-3098	KN-132
300 4x4	300	AC-3098	KN-132
400 2x4	363	AC-4096-1	KN-138
		AC-4096-1	KN-138C
400 4x4	400	AC-4096-1	KN-138
		AC-4096-1	KN-138C
500 4x4	487	AC-4096-1	KN-138
		AC-4096-1	KN-138C
500 4x4 Auto	500	AC-4096-1	KN-138
		AC-4096-1	KN-138C
<b>2000 ARCTIC CAT</b>			
250 2x4	250	AC-3098	KN-132
300 2x4	276	AC-3098	KN-132
300 4x4	300	AC-3098	KN-132
400 2x4	363	AC-4096-1	KN-138
		AC-4096-1	KN-138C
400 4x4	400	AC-4096-1	KN-138
		AC-4096-1	KN-138C
500 4x4	487	AC-4096-1	KN-138
		AC-4096-1	KN-138C
500 4x4 Auto	500	AC-4096-1	KN-138
		AC-4096-1	KN-138C
<b>1999 ARCTIC CAT</b>			
250 2x4	246	AC-3098	KN-132
300 2x4	276	AC-3098	KN-132
300 4x4	300	AC-3098	KN-132
400 2x4	363	AC-4096-1	KN-138
		AC-4096-1	KN-138C
400 4x4	400	AC-4096-1	KN-138
		AC-4096-1	KN-138C
500 4x4	487	AC-4096-1	KN-138
		AC-4096-1	KN-138C
<b>1998 ARCTIC CAT</b>			
300 2x4	276	AC-3098	KN-132
300 4x4	300	AC-3098	KN-132
400 2x4	363	AC-4096-1	KN-138
		AC-4096-1	KN-138C
400 4x4	400	AC-4096-1	KN-138
		AC-4096-1	KN-138C
454 2x4	454	AC-4096-1	KN-138
		AC-4096-1	KN-138C
454 4x4	454	AC-4096-1	KN-138
		AC-4096-1	KN-138C
500 4x4	487	AC-4096-1	KN-138
		AC-4096-1	KN-138C
<b>1997 ARCTIC CAT</b>			
454 2x4	454	AC-4096-1	KN-138
		AC-4096-1	KN-138C
454 4x4	454	AC-4096-1	KN-138
		AC-4096-1	KN-138C
<b>1996 ARCTIC CAT</b>			
454 4x4	454	AC-4096-1	KN-138

Vehicle	Engine Type	Air Filter	Oil Filter
<b>1996 ARCTIC CAT</b>			
454 4x4	454	AC-4096-1	KN-138C
<b>2003 ASIA</b>			
Rocsta	1.8L L4 F/I	E-2790	
<b>2002 ASIA</b>			
Rocsta	1.8L L4 F/I	E-2790	
<b>2001 ASIA</b>			
Rocsta	1.8L L4 F/I	E-2790	
<b>2000 ASIA</b>			
Rocsta	1.8L L4 F/I	E-2790	
<b>1999 ASIA</b>			
Rocsta	1.8L L4 F/I	E-2790	
<b>1998 ASIA</b>			
Rocsta	1.8L L4 F/I	E-2790	
<b>1997 ASIA</b>			
Rocsta	1.8L L4 F/I	E-2790	
<b>1996 ASIA</b>			
Rocsta	1.8L L4 F/I	E-2790	
<b>1995 ASIA</b>			
Rocsta	1.8L L4 F/I	E-2790	
<b>1993 ASIA</b>			
Rocsta	1.8L L4 F/I	E-2790	
<b>1989 ASTON MARTIN</b>			
V-8	5.3L V8 F/I		HP-3001
<b>1988 ASTON MARTIN</b>			
Lagonda	5.3L V8 F/I		HP-2004
V-8	5.3L V8 F/I		HP-3001
<b>1986 ASTON MARTIN</b>			
Lagonda	5.3L V8 F/I		HP-2004
<b>1984 ASTON MARTIN</b>			
V-8	5.3L V8 CARB		HP-3001
<b>1982 ASTON MARTIN</b>			
V-8	5.3L V8 CARB		HP-3001
<b>1980 ASTON MARTIN</b>			
V-8	326 V8 CARB		HP-3001
<b>1978 ASTON MARTIN</b>			
V-8	326 V8 CARB		HP-3001
<b>1993 ASUNA</b>			
Sunfire	1.8L L4 F/I		HP-1004
Sunrunner	1.6L L4 F/I		HP-1002
<b>1992 ASUNA</b>			
Sunrunner	1.6L L4 F/I		HP-1002
<b>1991 ATK</b>			
604 F/I	560	AT-6091	
<b>2011 AUDI</b>			
A3	1.2L L4 F/I	E-2014 ♦	
A3	1.4L L4 F/I	E-2014 ♦	
A3	1.6L L4 DSL	33-2865 ♦	
A3	1.8L L4 F/I	33-2865 ♦	
A3	2.0L L4 DSL	33-2865 ♦	
A3	2.0L L4 F/I	33-2865 ♦	
A4	1.8L L4 F/I	33-2945	
A4	2.0L L4 DSL	33-2945	
A4	2.0L L4 F/I	33-2945	

\*Indicates 2 filters required

♦ - Intake kit available

Applications updated daily at [knfilters.com](http://knfilters.com) ®

Partial Listing - Complete List of Vehicles and Applications at [knfilters.com](http://knfilters.com)

# AUDI

# AIR & OIL FILTERS

Vehicle	Engine Type	Air Filter	Oil Filter	Vehicle	Engine Type	Air Filter	Oil Filter
<b>2011 AUDI</b>				<b>2010 AUDI</b>			
A4	2.7L V6 DSL	E-1987		A5	3.0L V6 F/I	E-1987	
A4	3.0L V6 DSL	E-1987		A5	3.2L V6 F/I	E-1987	HP-7015
A4	3.0L V6 F/I	E-1987		A5	4.2L V8 F/I	E-1987	
A4	3.2L V6 F/I	E-1987		A5 Quattro	3.2L V6 F/I	E-1987	HP-7015
A4 Quattro	2.0L L4 F/I	33-2945		A6	2.0L L4 DSL	E-9282	
A5	1.8L L4 F/I	33-2945		A6	2.0L L4 F/I	E-9282	
A5	2.0L L4 DSL	33-2945		A6	2.7L V6 DSL	E-0778	
A5	2.0L L4 F/I	33-2945		A6	2.8L V6 F/I	E-0778	
A5	2.7L V6 DSL	E-1987		A6	3.0L V6 DSL	E-0778	
A5	3.0L V6 DSL	E-1987		A6	3.0L V6 F/I	E-0778	HP-7015
A5	3.2L V6 F/I	E-1987		A6	3.2L V6 F/I	E-0778	HP-7015
A5 Quattro	2.0L L4 F/I	33-2945		A6 Quattro	3.0L V6 F/I		HP-7015
A6	2.0L L4 DSL	E-9282		A6 Quattro	4.2L V8 F/I	E-0778	
A6	2.0L L4 F/I	E-9282		A8	3.0L V6 F/I	E-0775	
A6	3.2L V6 F/I	E-0778		A8	6.0L W12 F/I	E-1992*	
A6 Quattro	4.2L V8 F/I	E-0778		A8 Quattro	3.0L V6 DSL - 250BHP	E-2999	
A8 Quattro	3.0L V6 DSL	E-2999		A8 Quattro	3.0L V6 DSL - Exc., 250BHP	E-0775	
A8 Quattro	3.0L V6 F/I	E-2999		A8 Quattro	4.2L V8 DSL - 351BHP	E-2999*	
A8 Quattro	4.2L V8 DSL	E-2999*		A8 Quattro	4.2L V8 DSL - Exc., 351BHP	E-0775*	
A8 Quattro	4.2L V8 F/I	E-1996*		A8 Quattro	4.2L V8 F/I	E-0775	
Q5	2.0L L4 DSL	33-2945		A8 Quattro	4.2L V8 F/I - 371BHP	E-1996*	
Q5	2.0L L4 F/I	33-2945		A8 Quattro	4.2L V8 F/I - Exc., 371BHP	E-0775	
Q5	3.0L V6 DSL	E-1987		A8 Quattro	6.0L W12 F/I	E-1992*	
Q5	3.2L V6 F/I	E-1987		Q5	2.0L L4 DSL	33-2945	
Q7	3.0L V6 DSL	33-2857		Q5	2.0L L4 F/I	33-2945	
Q7	3.0L V6 F/I	33-2857		Q5	3.0L V6 DSL	E-1987	
Q7	4.2L V8 DSL	33-2857*		Q5	3.2L V6 F/I	E-1987	HP-7015
Q7	6.0L V12 DSL	33-2857*		Q7	3.0L V6 DSL	33-2857	
S4	3.0L V6 F/I	E-1987		Q7	3.0L V6 F/I	33-2857	
S5	3.0L V6 F/I	E-1987		Q7	3.6L V6 F/I	33-2857	HP-7005
S5	4.2L V8 F/I	E-1987		Q7	4.2L V8 DSL	33-2857*	
S6	5.2L V10 F/I	E-2996*		Q7	4.2L V8 F/I	33-2857	
TT	1.8L L4 F/I	33-2865 ♦		Q7	6.0L V12 DSL	33-2857*	
TT	2.0L L4 DSL	33-2865 ♦		S3	2.0L L4 F/I	33-2888	
TT	2.0L L4 F/I	33-2865 ♦		S4	3.0L V6 F/I	E-1987	HP-7015
TT Quattro	2.0L L4 F/I	33-2865 ♦		S5	3.0L V6 F/I	E-1987	HP-7015
TT Quattro	3.2L V6 F/I	33-2384		S5	4.2L V8 F/I	E-1987	
TT RS	2.5L L5 F/I	33-2384		S6	5.2L V10 F/I	E-2996*	
TTS	2.0L L4 F/I	33-2384		S8	5.2L V10 F/I	E-1992*	
<b>2010 AUDI</b>				<b>2009 AUDI</b>			
A3	1.2L L4 F/I	E-2014 ♦		TT	1.8L L4 F/I	33-2865 ♦	
A3	1.4L L4 F/I	E-2014 ♦		TT	2.0L L4 DSL	33-2865 ♦	
A3	1.6L L4 DSL	33-2865 ♦		TT	2.0L L4 F/I	33-2865 ♦	
A3	1.6L L4 F/I	E-2014 ♦		TT Quattro	2.0L L4 F/I	33-2865 ♦	
A3	1.8L L4 F/I	33-2865 ♦		TT Quattro	3.2L V6 F/I	33-2384	
A3	1.9L L4 DSL	33-2865 ♦		TT RS	2.5L L5 F/I	33-2384	
A3	2.0L L4 DSL	33-2865 ♦		TTS	2.0L L4 F/I	33-2384	
A3	2.0L L4 F/I	33-2865 ♦		<b>2009 AUDI</b>			
A3	3.2L V6 F/I	33-2384		A3	1.2L L4 F/I	E-2014 ♦	
A4	1.8L L4 F/I	33-2945		A3	1.4L L4 F/I	E-2014 ♦	
A4	2.0L L4 DSL	33-2945		A3	1.6L L4 DSL	33-2865 ♦	
A4	2.0L L4 F/I	33-2945 ♦		A3	1.6L L4 F/I - exc. FSi	E-2014 ♦	
A4	2.7L V6 DSL	E-1987		A3	1.6L L4 F/I - FSi	33-2869 ♦	
A4	3.0L V6 DSL	E-1987		A3	1.8L L4 F/I	33-2865 ♦	
A4	3.0L V6 F/I	E-1987		A3	1.9L L4 DSL	33-2865 ♦	
A4	3.2L V6 F/I	E-1987		A3	2.0L L4 DSL	33-2865 ♦	
A4 Cabriolet	2.0L L4 F/I	33-2209 ♦		A3	2.0L L4 F/I	33-2865 ♦	HP-7010
A4 Quattro	2.0L L4 F/I	33-2945		A3	2.0L L4 F/I	33-2865 ♦	HP-7010
A5	1.8L L4 F/I	33-2945		A3	3.2L V6 F/I	33-2384 ♦	
A5	2.0L L4 DSL	33-2945		A4	1.8L L4 F/I	33-2945	
A5	2.0L L4 F/I	33-2945		A4	2.0L L4 DSL	33-2945	
A5	2.7L V6 DSL	E-1987		A4	2.0L L4 F/I	33-2945 ♦	
A5	3.0L V6 DSL	E-1987		A4	2.7L V6 DSL	E-1987	

\*Indicates 2 filters required

♦ - Intake kit available

Applications updated daily at [knfilters.com](http://knfilters.com) ®

# AIR & OIL FILTERS

# AUDI

Vehicle	Engine Type	Air Filter	Oil Filter	Vehicle	Engine Type	Air Filter	Oil Filter
<b>2009 AUDI</b>				<b>2008 AUDI</b>			
A4	3.0L V6 DSL	E-1987		A3	1.8L L4 F/I	33-2865 ♦	
A4	3.0L V6 F/I	E-1987		A3	1.9L L4 DSL	33-2865 ♦	
A4	4.2L V8 F/I	E-1987		A3	2.0L L4 DSL	33-2865 ♦	
A4 Cabriolet	2.0L L4 F/I	33-2209 ♦	HP-7010	A3	2.0L L4 F/I	33-2888 ♦	HP-7010
A4 Quattro	2.0L L4 F/I	33-2945 ♦		A3	2.0L L4 F/I - exc. Turbo	E-2014 ♦	HP-7010
A4 Quattro	3.2L V6 F/I	E-1987	HP-7015	A3	2.0L L4 F/I - Turbo	33-2888 ♦	HP-7010
A4 Quattro Cabriolet	2.0L L4 F/I	33-2209 ♦	HP-7010	A3	3.2L V6 F/I	33-2384* ♦	
A4 Quattro Cabriolet	3.2L V6 F/I	33-2209	HP-7015	A3	3.2L V6 F/I - Non-US	33-2878 ♦	
A5	1.8L L4 F/I	33-2945		A4	1.8L L4 F/I	33-2945	
A5	2.0L L4 DSL	33-2945		A4	2.0L L4 DSL	33-2945	
A5	2.0L L4 F/I	33-2945		A4	2.0L L4 F/I		HP-7010
A5	2.7L V6 DSL	E-1987		A4	2.0L L4 F/I - US	33-2209	HP-7010
A5	3.0L V6 DSL	E-1987		A4	2.4L V6 F/I	33-2209	
A5	3.0L V6 F/I	E-1987		A4	2.7L V6 DSL	E-1987	
A5	3.2L V6 F/I		HP-7015	A4	3.0L V6 DSL	E-1987	
A5	4.2L V8 F/I	E-1987		A4	3.0L V6 F/I	33-2209	
A5 Quattro	3.2L V6 F/I	E-1987	HP-7015	A4	3.2L V6 F/I	33-2209	HP-7015
A6	2.0L L4 DSL	E-9282		A4	4.2L V8 F/I	E-1987	
A6	2.0L L4 F/I	E-9282		A4 Quattro	2.0L L4 F/I		HP-7010
A6	2.4L V6 F/I	E-0778		A4 Quattro	2.0L L4 F/I - US	33-2209	HP-7010
A6	2.7L V6 DSL	E-0778		A4 Quattro	3.2L V6 F/I		HP-7015
A6	2.8L V6 F/I	E-0778		A4 Quattro	3.2L V6 F/I - Non-US	E-1987	HP-7015
A6	3.0L V6 DSL	E-0778		A4 Quattro	3.2L V6 F/I - US	33-2209	HP-7015
A6	3.0L V6 F/I	E-0778		A5	2.7L V6 DSL	E-1987	
A6	3.2L V6 F/I		HP-7015	A5	3.0L V6 DSL	E-1987	
A6	3.2L V6 F/I - US	E-0778	HP-7015	A5	3.2L V6 F/I	E-1987	HP-7015
A6 Quattro	3.0L V6 F/I		HP-7015	A5	4.2L V8 F/I - Non-US	E-1987	
A6 Quattro	3.2L V6 F/I		HP-7015	A5 Quattro	3.2L V6 F/I		HP-7015
A6 Quattro	4.2L V8 F/I	E-0778		A5 Quattro	3.2L V6 F/I - Non-US	E-1987	HP-7015
A8	2.8L V6 F/I	E-0775		A6	2.0L L4 DSL	E-9282	
A8	3.0L V6 F/I	E-0775		A6	2.0L L4 F/I	E-9282	HP-7010
A8	3.2L V6 F/I	E-0775		A6	2.4L V6 F/I	E-0778	
A8	6.0L W12 F/I	E-1992*		A6	2.7L V6 DSL	E-0778	
A8 Quattro	3.0L V6 DSL	E-0775		A6	2.8L V6 F/I	E-0778	
A8 Quattro	4.2L V8 DSL	E-0775*		A6	3.0L V6 DSL	E-0778	
A8 Quattro	4.2L V8 F/I	E-0775		A6	3.0L V6 F/I	E-0778	
A8 Quattro	6.0L W12 F/I	E-1992*		A6	3.2L V6 F/I	E-0778	HP-7015
Q5	2.0L L4 DSL	33-2945		A6 Quattro	3.2L V6 F/I	E-0778	HP-7015
Q5	2.0L L4 F/I	33-2945		A6 Quattro	4.2L V8 F/I	E-0778	
Q5	3.0L V6 DSL	E-1987		A8	2.8L V6 F/I	E-0775	
Q5	3.2L V6 F/I	E-1987	HP-7015	A8	3.0L V6 F/I	E-0775	
Q7	3.0L V6 DSL	33-2857		A8	3.2L V6 F/I	E-0775	
Q7	3.6L V6 F/I	33-2857	HP-7005	A8	4.0L V8 DSL	E-0775*	
Q7	4.2L V8 DSL	33-2857*		A8	6.0L W12 F/I	E-1992*	
Q7	4.2L V8 F/I	33-2857*		A8 Quattro	3.0L V6 DSL	E-0775	
Q7	6.0L V12 DSL	33-2857*		A8 Quattro	4.2L V8 DSL	E-0775*	
RS4	4.2L V8 F/I - US	33-2209		A8 Quattro	4.2L V8 F/I	E-0775	
S3	2.0L L4 F/I	33-2888		A8 Quattro	6.0L W12 F/I - Non-US	E-1992*	
S4	3.0L V6 F/I	E-1987		A8 Quattro	6.0L W12 F/I - US	E-0775*	
S4	4.2L V8 F/I - US	33-2209		Q5	2.0L L4 DSL	33-2945	
S5	4.2L V8 F/I	E-1987		Q5	2.0L L4 F/I	33-2945	
S6	5.2L V10 F/I	E-2996*		Q5	3.0L V6 DSL	E-1987	
S8	5.2L V10 F/I	E-1992*		Q7	3.0L V6 DSL	33-2857	
TT	1.8L L4 F/I	33-2865 ♦		Q7	3.6L V6 F/I	33-2857	HP-7005
TT	2.0L L4 DSL	33-2865 ♦		Q7	4.2L V8 DSL	33-2857*	
TT	2.0L L4 F/I	33-2888 ♦	HP-7010	Q7	4.2L V8 F/I	33-2857	
TT	2.5L L5 F/I	33-2384		Q7	6.0L V12 DSL	33-2857*	
TT Quattro	2.0L L4 F/I	33-2865		RS4	4.2L V8 F/I	33-2209	
TT Quattro	3.2L V6 F/I	33-2384		S4	4.2L V8 F/I	33-2209	
<b>2008 AUDI</b>				S5	4.2L V8 F/I	E-1987	
A3	1.4L L4 F/I	E-2014 ♦		S6	5.2L V10 F/I	E-2996*	
A3	1.6L L4 F/I - exc. FSi	E-2014 ♦		S8	5.2L V10 F/I - Non-US	E-1992*	
A3	1.6L L4 F/I - FSi	33-2869 ♦		S8	5.2L V10 F/I - US	E-0775*	
				TT	1.8L L4 F/I	33-2865 ♦	

\*Indicates 2 filters required      ♦ - Intake kit available      Applications updated daily at [knfilters.com](http://knfilters.com) ®

**Partial Listing - Complete List of Vehicles and Applications at [knfilters.com](http://knfilters.com)**



# AUDI

# AIR & OIL FILTERS

Vehicle	Engine Type	Air Filter	Oil Filter	Vehicle	Engine Type	Air Filter	Oil Filter
<b>2008 AUDI</b>				<b>2006 AUDI</b>			
TT	2.0L L4 DSL	33-2865 ♦		A3	1.6L L4 F/I - exc. FSi	E-2014 ♦	
TT	2.0L L4 F/I	33-2888 ♦	HP-7010	A3	1.6L L4 F/I - FSi	33-2869 ♦	
TT Quattro	3.2L V6 F/I - Non-US	33-2878		A3	1.8L L4 F/I	33-2865 ♦	
TT Quattro	3.2L V6 F/I - US	33-2384		A3	1.9L L4 DSL	33-2865 ♦	
<b>2007 AUDI</b>				A3	2.0L L4 DSL	33-2865 ♦	
A3	1.4L L4 F/I	E-2014 ♦		A3	2.0L L4 F/I - exc. Turbo	E-2014 ♦	
A3	1.6L L4 F/I - exc. FSi	E-2014 ♦		A3	2.0L L4 F/I - Turbo	33-2888 ♦	HP-7010
A3	1.6L L4 F/I - FSi	33-2869 ♦				33-2888 ♦	HP-7010
A3	1.8L L4 F/I	33-2865 ♦		A3	3.2L V6 F/I - Non-US	33-2878 ♦	
A3	1.9L L4 DSL	33-2865 ♦		A4	1.6L L4 F/I	33-2209	
A3	2.0L L4 DSL	33-2865 ♦		A4	1.8L L4 F/I	33-2209	HP-3001
A3	2.0L L4 F/I - exc. Turbo	E-2014 ♦		A4	1.9L L4 DSL	33-2209 ♦	
A3	2.0L L4 F/I - Turbo	33-2888	HP-7010	A4	2.0L L4 DSL	33-2209	
		33-2888 ♦	HP-7010	A4	2.0L L4 F/I	33-2209	HP-7010
A3	3.2L V6 F/I - Non-US	33-2878 ♦		A4	2.4L V6 F/I	33-2209	
A3	3.2L V6 F/I - US	33-2384 ♦		A4	2.7L V6 DSL	33-2209	
A4	1.6L L4 F/I	33-2209		A4	3.0L V6 DSL	33-2209	
A4	1.8L L4 F/I - 163BHP	33-2209		A4	3.2L V6 F/I	33-2209	HP-7015
A4	1.8L L4 F/I - Exc., 163BHP	33-2945		A4 Quattro	2.0L L4 F/I	33-2209	HP-7010
A4	1.9L L4 DSL	33-2209 ♦		A4 Quattro	3.0L V6 F/I	33-2209	
A4	2.0L L4 DSL	33-2209		A4 Quattro	3.2L V6 F/I	33-2209	HP-7015
A4	2.0L L4 F/I	33-2209	HP-7010	A6	2.0L L4 DSL	E-9282	
A4	2.4L V6 F/I	33-2209		A6	2.0L L4 F/I	E-9282	HP-7010
A4	2.7L V6 DSL	33-2209		A6	2.4L V6 F/I	E-0778	
A4	3.0L V6 DSL	33-2209		A6	2.7L V6 DSL	E-0778	
A4	3.0L V6 F/I	33-2209		A6	2.8L V6 F/I	E-0778	
A4	3.2L V6 F/I	33-2209	HP-7015	A6	3.0L V6 DSL	E-0778	
A4 Quattro	2.0L L4 F/I	33-2209	HP-7010	A6	3.0L V6 F/I	E-0778	
A4 Quattro	3.2L V6 F/I	33-2209	HP-7015	A6	3.2L V6 F/I	E-0778	HP-7015
A6	2.0L L4 DSL	E-9282		A6 Quattro	3.2L V6 F/I	E-0778	HP-7015
A6	2.0L L4 F/I	E-9282	HP-7010	A6 Quattro	4.2L V8 F/I	E-0778	
A6	2.4L V6 F/I	E-0778		A8	3.0L V6 F/I	E-0775	
A6	2.7L V6 DSL	E-0778		A8	3.2L V6 F/I	E-0775	
A6	2.8L V6 F/I	E-0778		A8	3.7L V8 F/I	E-0775	
A6	3.0L V6 DSL	E-0778		A8	4.0L V8 DSL	E-0775*	
A6	3.0L V6 F/I	E-0778		A8	6.0L W12 F/I	E-1992*	
A6	3.2L V6 F/I	E-0778	HP-7015	A8 Quattro	3.0L V6 DSL	E-0775	
A6 Quattro	3.2L V6 F/I	E-0778	HP-7015	A8 Quattro	4.2L V8 DSL	E-0775*	
A6 Quattro	4.2L V8 F/I	E-0778		A8 Quattro	4.2L V8 F/I	E-0775	
A8	2.8L V6 F/I	E-0775		A8 Quattro	6.0L W12 F/I - Non-US	E-1992*	
A8	3.0L V6 F/I	E-0775		A8 Quattro	6.0L W12 F/I - US	E-0775*	
A8	3.2L V6 F/I	E-0775		Q7	3.0L V6 DSL	33-2857	
A8	3.7L V8 F/I	E-0775		Q7	3.6L V6 F/I	33-2857	HP-7005
A8	4.0L V8 DSL	E-0775*		Q7	4.2L V8 F/I	33-2857*	
A8	6.0L W12 F/I	E-1992*		RS4	4.2L V8 F/I	33-2209	
A8 Quattro	3.0L V6 DSL	E-0775		S4	4.2L V8 F/I	33-2209	
A8 Quattro	4.2L V8 DSL	E-0775*		S6	4.2L V8 F/I	E-0778	
A8 Quattro	4.2L V8 F/I	E-0775		S6	5.2L V10 F/I	E-2996*	
A8 Quattro	6.0L W12 F/I - Non-US	E-1992*		S8	5.2L V10 F/I	E-1992*	
A8 Quattro	6.0L W12 F/I - US	E-0775*		TT	1.8L L4 F/I	33-2128 ♦	HP-2005
Q7	3.0L V6 DSL	33-2857		TT	2.0L L4 F/I	33-2888 ♦	HP-7010
Q7	3.6L V6 F/I	33-2857	HP-7005	TT Quattro	1.8L L4 F/I	33-2128 ♦	HP-2005
Q7	4.2L V8 DSL	33-2857*		TT Quattro	3.2L V6 F/I - Non-US, BHE Eng.	33-2128	
Q7	4.2L V8 F/I	33-2857*		TT Quattro	3.2L V6 F/I - Non-US, BUB Eng.	33-2878	
RS4	4.2L V8 F/I	33-2209		TT Quattro	3.2L V6 F/I - US	33-2857	
S4	4.2L V8 F/I	33-2209		<b>2005 AUDI</b>			
S6	5.2L V10 F/I	E-2996*		A2	1.2L L3 DSL	E-2658	
S8	5.2L V10 F/I	E-1992*		A2	1.4L L3 DSL	E-2658	
TT	1.8L L4 F/I	33-2128		A2	1.4L L4 F/I	E-2658	
TT	2.0L L4 F/I	33-2888 ♦	HP-7010	A2	1.6L L4 F/I	E-2658	
TT Quattro	3.2L V6 F/I - Non-US	33-2878		A3	1.6L L4 F/I - exc. FSi	E-2014 ♦	
TT Quattro	3.2L V6 F/I - US	33-2857		A3	1.6L L4 F/I - FSi	33-2869 ♦	

\*Indicates 2 filters required

♦ - Intake kit available

Applications updated daily at [knfilters.com](http://knfilters.com) ®

# AIR & OIL FILTERS

# AUDI

Vehicle	Engine Type	Air Filter	Oil Filter	Vehicle	Engine Type	Air Filter	Oil Filter
<b>2005 AUDI</b>				<b>2004 AUDI</b>			
A3	1.9L L4 DSL	33-2865 ♦		A4	1.8L L4 F/I	33-2209 ♦	HP-3001
A3	2.0L L4 DSL	33-2865 ♦		A4	1.9L L4 DSL	33-2209 ♦	
A3	2.0L L4 F/I - exc. Turbo	E-2014 ♦		A4	2.0L L4 DSL	33-2209	
A3	2.0L L4 F/I - Turbo	33-2888 ♦	HP-7010	A4	2.0L L4 F/I	33-2209	
A3	3.2L V6 F/I	33-2878 ♦		A4	2.0L L4 F/I - Turbo	33-2209	HP-7010
A4	1.6L L4 F/I	33-2209		A4	2.4L V6 F/I	33-2209	
A4	1.8L L4 F/I	33-2209	HP-3001	A4	2.5L V6 DSL	33-2209 ♦	
A4	1.9L L4 DSL	33-2209 ♦		A4	3.0L V6 DSL	33-2209	
A4	2.0L L4 DSL	33-2209		A4	3.0L V6 F/I	33-2209	
A4	2.0L L4 F/I	33-2209	HP-7010	A4 Quattro	1.8L L4 F/I	33-2209	HP-3001
A4	2.4L V6 F/I	33-2209		A4 Quattro	3.0L V6 F/I	33-2209	
A4	2.5L V6 DSL	33-2209		A6	1.8L L4 F/I	33-2125	
A4	2.7L V6 DSL	33-2209		A6	1.9L L4 DSL	33-2125	
A4	3.0L V6 DSL	33-2209		A6	2.0L L4 DSL	E-9282	
A4	3.0L V6 F/I	33-2209		A6	2.0L L4 F/I	33-2125	
A4	3.2L V6 F/I	33-2209	HP-7015	A6	2.4L V6 F/I	33-2125	
A4 Quattro	1.8L L4 F/I	33-2209	HP-3001	A6	2.5L V6 DSL	33-2125	
A4 Quattro	2.0L L4 F/I	33-2209	HP-7010	A6	2.7L V6 DSL	E-0778	
A4 Quattro	3.0L V6 F/I	33-2209		A6	2.7L V6 F/I	33-2125	
A4 Quattro	3.2L V6 F/I	33-2209		A6	2.8L V6 F/I	33-2125	
A6	2.0L L4 DSL	E-9282		A6	3.0L V6 DSL	E-0778	
A6	2.0L L4 F/I		HP-7010	A6	3.0L V6 F/I - Non-US, from 4/04	E-0778	
A6	2.0L L4 F/I - 130BHP	33-2125	HP-7010	A6	3.0L V6 F/I - US	33-2125	
A6	2.0L L4 F/I - 170BHP	E-9282	HP-7010	A6 Quattro	2.7L V6 F/I	33-2125	
A6	2.4L V6 F/I	E-0778		A6 Quattro	3.0L V6 F/I	33-2125	
A6	2.7L V6 DSL	E-0778		A6 Quattro	4.2L V8 F/I - exc. RS6	33-2125	
A6	3.0L V6 DSL	E-0778		A6 Quattro	4.2L V8 F/I - RS6	33-2866*	
A6	3.0L V6 F/I	E-0778		A6 Quattro	4.2L V8 F/I - US	33-2125	
A6 Quattro	3.2L V6 F/I	E-0778	HP-7015	A6 Quattro	4.2L V8 F/I	E-0775	
A6 Quattro	4.2L V8 F/I	E-0778		A8	3.7L V8 F/I	E-0775	
A8	3.0L V6 F/I	E-0775		A8	4.0L V8 DSL	E-0775*	
A8	3.2L V6 F/I	E-0775		A8	4.2L V8 F/I	E-0775	
A8	3.7L V8 F/I	E-0775		A8	6.0L W12 F/I	E-1992*	
A8	4.0L V8 DSL	E-0775*		A8 Quattro	3.0L V6 DSL	E-0775	
A8	6.0L W12 F/I	E-1992*		A8 Quattro	4.2L V8 F/I	E-0775	
A8 Quattro	3.0L V6 DSL	E-0775		A8 Quattro	6.0L W12 F/I	E-1992*	
A8 Quattro	4.2L V8 DSL	E-0775*		Allroad Quattro	2.5L V6 DSL	33-2125	
A8 Quattro	4.2L V8 F/I	E-0775		Allroad Quattro	2.7L V6 F/I	33-2125	
A8 Quattro	6.0L W12 F/I - Non-US	E-1992*		Allroad Quattro	4.2L V8 F/I	33-2125	
A8 Quattro	6.0L W12 F/I - US	E-0775*		Cabriolet	3.0L V6 F/I	33-2209	
Allroad Quattro	2.5L V6 DSL	33-2125		Quattro	1.8L L4 F/I	33-2209	
Allroad Quattro	2.7L V6 F/I	33-2125		Quattro	3.0L V6 F/I	33-2209	
Allroad Quattro	4.2L V8 F/I	33-2125		Quattro	4.2L V8 F/I	33-2779	
RS4	4.2L V8 F/I	33-2209		RS6	4.2L V8 F/I	33-2866*	HP-2005
S4	4.2L V8 F/I	33-2209		S6	4.2L V8 F/I	33-2125	
S6	4.2L V8 F/I	E-0778		S8	4.2L V8 F/I	33-2779	
TT	1.8L L4 F/I	33-2128 ♦	HP-2005	TT	1.8L L4 F/I	33-2128 ♦	HP-2005
TT Quattro	1.8L L4 F/I	33-2128 ♦	HP-2005	TT Quattro	1.8L L4 F/I	33-2128 ♦	HP-2005
TT Quattro	3.2L V6 F/I - Non-US	33-2128		TT Quattro	3.2L V6 F/I	33-2128	
TT Quattro	3.2L V6 F/I - US	33-2857					
<b>2004 AUDI</b>				<b>2003 AUDI</b>			
A2	1.2L L3 DSL	E-2658		A2	1.2L L3 DSL	E-2658	
A2	1.4L L3 DSL	E-2658		A2	1.4L L3 DSL	E-2658	
A2	1.4L L4 F/I	E-2658		A2	1.4L L4 F/I	E-2658	
A2	1.6L L4 F/I	E-2658		A2	1.6L L4 F/I	E-2658	
A3	1.6L L4 F/I - exc. FSi	E-2014 ♦		A3	1.6L L4 F/I - from 6/03, exc. FSi	E-2014 ♦	
A3	1.6L L4 F/I - FSi	33-2869 ♦		A3	1.6L L4 F/I - FSi	33-2869 ♦	
A3	1.9L L4 DSL	33-2865 ♦		A3	1.6L L4 F/I - to 5/03	33-2128 ♦	
A3	2.0L L4 DSL	33-2865 ♦		A3	1.8L L4 F/I	33-2128 ♦	HP-2005
A3	2.0L L4 F/I - exc. Turbo	E-2014 ♦		A3	1.9L L4 DSL - from 5/03	33-2865 ♦	
A3	2.0L L4 F/I - Turbo	33-2888 ♦	HP-7010	A3	1.9L L4 DSL - to 4/03	33-2128 ♦	
A3	3.2L V6 F/I	33-2878 ♦		A3	2.0L L4 DSL	33-2865 ♦	
A4	1.6L L4 F/I	33-2209		A3	2.0L L4 F/I	E-2014 ♦	

\*Indicates 2 filters required      ♦ - Intake kit available      Applications updated daily at [knfilters.com](http://knfilters.com) ®

**Partial Listing - Complete List of Vehicles and Applications at [knfilters.com](http://knfilters.com)**

# AUDI

# AIR & OIL FILTERS

Vehicle	Engine Type	Air Filter	Oil Filter	Vehicle	Engine Type	Air Filter	Oil Filter
<b>2003 AUDI</b>				<b>2002 AUDI</b>			
A3	2.0L L4 F/I - Turbo	E-2014	HP-7010	A6	1.8L L4 F/I	33-2125	
A3	3.2L V6 F/I	33-2878 ♦		A6	1.9L L4 DSL	33-2125	
A4	1.6L L4 F/I	33-2209		A6	2.0L L4 F/I	33-2125	
A4	1.8L L4 F/I	33-2209 ♦	HP-3001	A6	2.4L V6 F/I	33-2125	
A4	1.9L L4 DSL	33-2209 ♦		A6	2.5L V6 DSL	33-2125	
A4	2.0L L4 F/I	33-2209		A6	2.7L V6 F/I	33-2125	
A4	2.4L V6 F/I	33-2209		A6	2.8L V6 F/I	33-2125	
A4	2.5L V6 DSL	33-2209 ♦		A6	3.0L V6 F/I	33-2125	
A4	2.7L V6 F/I	33-2125		A6 Quattro	2.7L V6 F/I	33-2125	
A4	3.0L V6 F/I	33-2209		A6 Quattro	3.0L V6 F/I	33-2125	
A4 Quattro	1.8L L4 F/I	33-2209	HP-3001	A6 Quattro	4.2L V8 F/I - Non-US, exc. RS6	33-2125	
A4 Quattro	3.0L V6 F/I	33-2209		A6 Quattro	4.2L V8 F/I - Non-US, RS6	33-2866*	
A6	1.8L L4 F/I	33-2125		A6 Quattro	4.2L V8 F/I - US	33-2125	
A6	1.9L L4 DSL	33-2125		A6 Quattro	4.2L V8 F/I - Panel Filter	33-2779	HP-7005
A6	2.0L L4 F/I	33-2125		A6 Quattro	3.7L V8 F/I - Round Filter	E-0775	HP-7005
A6	2.4L V6 F/I	33-2125		A6 Quattro	4.2L V8 F/I	E-0775	HP-7005
A6	2.5L V6 DSL	33-2125		A6 Quattro	3.0L V6 DSL	E-0775	
A6	2.7L V6 F/I	33-2125		A6 Quattro	4.2L V8 F/I	33-2779	HP-7005
A6	2.8L V6 F/I	33-2125		Allroad Quattro	2.5L V6 DSL	33-2125	
A6	3.0L V6 F/I	33-2125		Allroad Quattro	2.7L V6 F/I	33-2125	
A6 Quattro	2.7L V6 F/I	33-2125		Allroad Quattro	4.2L V8 F/I	33-2125	
A6 Quattro	3.0L V6 F/I	33-2125		Allroad Quattro	2.7L V6 F/I	33-2125 ♦	
A6 Quattro	4.2L V8 F/I - Non-US, exc. RS6	33-2125		Allroad Quattro	1.8L L4 F/I	33-2128 ♦	
A6 Quattro	4.2L V8 F/I - Non-US, RS6	33-2866*		Allroad Quattro	2.7L V6 F/I	33-2125	
A6 Quattro	4.2L V8 F/I - US	33-2125		Allroad Quattro	4.2L V8 F/I	33-2125	
A8	3.0L V6 F/I	E-0775		Allroad Quattro	2.7L V6 F/I	33-2125	
A8	3.7L V8 F/I - Panel Filter	33-2779		Allroad Quattro	4.2L V8 F/I	33-2125 ♦	
A8	3.7L V8 F/I - Round Filter	E-0775		Allroad Quattro	1.8L L4 F/I	33-2128 ♦	HP-2005
A8	4.0L V8 DSL	E-0775*		Allroad Quattro	1.8L L4 F/I	33-2128 ♦	HP-2005
A8	4.2L V8 F/I	E-0775		Allroad Quattro	2.5L V6 DSL	33-2125	
A8 Quattro	3.0L V6 DSL	E-0775		Allroad Quattro	2.7L V6 F/I	33-2125	
A8 Quattro	4.2L V8 F/I	33-2779	HP-7005	Allroad Quattro	4.2L V8 F/I	33-2125	
Allroad Quattro	2.5L V6 DSL	33-2125		Allroad Quattro	2.7L V6 F/I	33-2125 ♦	
Allroad Quattro	2.7L V6 F/I	33-2125		Allroad Quattro	1.8L L4 F/I	33-2128 ♦	
Allroad Quattro	4.2L V8 F/I	33-2125		Allroad Quattro	1.8L L4 F/I	33-2125 ♦	HP-3001
RS4	2.7L V6 F/I	33-2125 ♦		Allroad Quattro	1.9L L4 DSL	33-2209 ♦	HP-3001
RS6	4.2L V8 F/I	33-2866*	HP-2005	Allroad Quattro	2.0L L4 F/I	33-2209	
S3	1.8L L4 F/I	33-2128 ♦		Allroad Quattro	2.4L V6 F/I	33-2125 ♦	
S6	4.2L V8 F/I	33-2125		Allroad Quattro	2.5L V6 DSL - 150BHP	33-2125 ♦	
S8	4.2L V8 F/I	33-2779	HP-7005	Allroad Quattro	2.5L V6 DSL - 155/163/180BHP	33-2209 ♦	
TT	1.8L L4 F/I	33-2128 ♦	HP-2005	Allroad Quattro	2.6L V6 F/I	33-2125	
TT Quattro	1.8L L4 F/I	33-2128 ♦	HP-2005	Allroad Quattro	2.7L V6 F/I	33-2125	
TT Quattro	3.2L V6 F/I	33-2128		Allroad Quattro	2.8L V6 F/I	33-2125 ♦	
				Allroad Quattro	3.0L V6 F/I	33-2209	
				Allroad Quattro	1.8L L4 F/I	33-2125	HP-3001
				Allroad Quattro	2.8L V6 F/I	33-2125	HP-3001
				Allroad Quattro	1.8L L4 F/I	33-2125 ♦	
				Allroad Quattro	1.9L L4 DSL	33-2125 ♦	
				Allroad Quattro	2.0L L4 F/I	33-2125	
				Allroad Quattro	2.4L V6 F/I	33-2125 ♦	
				Allroad Quattro	2.5L V6 DSL - 150BHP	33-2125 ♦	
				Allroad Quattro	2.5L V6 DSL - 155/163/180BHP	33-2209 ♦	
				Allroad Quattro	2.6L V6 F/I	33-2125	
				Allroad Quattro	2.7L V6 F/I	33-2125	
				Allroad Quattro	2.8L V6 F/I	33-2125 ♦	
				Allroad Quattro	3.0L V6 F/I	33-2209	
				Allroad Quattro	1.8L L4 F/I	33-2125	HP-3001
				Allroad Quattro	2.8L V6 F/I	33-2125	
				Allroad Quattro	1.8L L4 F/I	33-2125 ♦	
				Allroad Quattro	1.9L L4 DSL	33-2125 ♦	
				Allroad Quattro	2.0L L4 F/I	33-2125	
				Allroad Quattro	2.4L V6 F/I	33-2125 ♦	
				Allroad Quattro	2.5L V6 DSL	33-2125 ♦	
				Allroad Quattro	2.7L V6 F/I	33-2125	
				Allroad Quattro	3.0L V6 F/I	33-2209	
				Allroad Quattro	1.8L L4 F/I	33-2209	HP-3001
				Allroad Quattro	3.0L V6 F/I	33-2209	

\*Indicates 2 filters required

♦ - Intake kit available

Applications updated daily at [knfilters.com](http://knfilters.com) ®

# AIR & OIL FILTERS

# AUDI

Vehicle	Engine Type	Air Filter	Oil Filter	Vehicle	Engine Type	Air Filter	Oil Filter
<b>2001 AUDI</b>				<b>2000 AUDI</b>			
A6	2.8L V6 F/I	33-2125 ♦		TT Quattro	1.8L L4 F/I	33-2128 ♦	HP-2005
A6 Quattro	2.7L V6 F/I	33-2125		<b>1999 AUDI</b>			
A6 Quattro	2.8L V6 F/I	33-2125 ♦		A3	1.6L L4 F/I	33-2128 ♦	
A6 Quattro	3.0L V6 F/I	33-2125		A3	1.8L L4 F/I	33-2128 ♦	HP-2005
A6 Quattro	4.2L V8 F/I	33-2125		A3	1.9L L4 DSL	33-2128	
A8	2.5L V6 DSL	33-2779		A4	1.6L L4 F/I	33-2125 ♦	
A8	2.8L V6 F/I	33-2779		A4	1.8L L4 F/I	33-2125	HP-3001
A8	3.3L V8 DSL	33-2779				33-2125 ♦	HP-3001
A8	3.7L V8 F/I	33-2779	HP-7005	A4	1.9L L4 DSL	33-2125 ♦	
A8 Quattro	4.2L V8 F/I	33-2779	HP-7005	A4	2.4L V6 F/I	33-2125 ♦	
Allroad Quattro	2.5L V6 DSL	33-2125		A4	2.5L V6 DSL	33-2125 ♦	
Allroad Quattro	2.7L V6 F/I	33-2125		A4	2.6L V6 F/I	33-2125	
RS4	2.7L V6 F/I	33-2125 ♦		A4	2.7L V6 F/I	33-2125	
S3	1.8L L4 F/I	33-2128 ♦		A4	2.8L V6 F/I	33-2125 ♦	
S4	2.7L V6 F/I	33-2125 ♦		A4 Quattro	1.8L L4 F/I	33-2125 ♦	HP-3001
S8	4.2L V8 F/I	33-2779	HP-7005			33-2125 ♦	HP-3001
TT	1.8L L4 F/I	33-2128 ♦	HP-2005	A4 Quattro	2.8L V6 F/I	33-2125 ♦	
TT Quattro	1.8L L4 F/I	33-2128 ♦	HP-2005	A6	1.8L L4 F/I	33-2125 ♦	
<b>2000 AUDI</b>				A6	1.9L L4 DSL	33-2125 ♦	
A2	1.4L L3 DSL	E-2658		A6	2.0L L4 F/I	33-2125	
A2	1.4L L4 F/I	E-2658		A6	2.4L V6 F/I	33-2125 ♦	
A3	1.6L L4 F/I	33-2128 ♦		A6	2.5L V6 DSL	33-2125 ♦	
A3	1.8L L4 F/I	33-2128 ♦	HP-2005	A6	2.7L V6 F/I	33-2125	
A3	1.9L L4 DSL	33-2128		A6	2.8L V6 F/I	33-2125 ♦	
A4	1.6L L4 F/I	33-2125 ♦		A6 Quattro	2.8L V6 F/I	33-2125 ♦	
A4	1.8L L4 F/I	33-2125	HP-3001	A8	2.5L V6 DSL	33-2779	
		33-2125 ♦	HP-3001	A8	2.8L V6 F/I	33-2779	
A4	1.9L L4 DSL	33-2125 ♦		A8	3.7L V8 F/I	33-2779	HP-7005
A4	2.0L L4 F/I	33-2209		A8	4.2L V8 F/I	33-2779	HP-7005
A4	2.4L V6 F/I	33-2125 ♦		A8 Quattro	4.2L V8 F/I	33-2779	HP-7005
A4	2.5L V6 DSL - 150BHP	33-2125 ♦		Cabriolet	1.8L L4 F/I	33-2029	
A4	2.5L V6 DSL - 155/163/180BHP	33-2209 ♦		Cabriolet	1.9L L4 DSL	33-2029	
A4	2.6L V6 F/I	33-2125		Cabriolet	2.8L V6 F/I	33-2029	
A4	2.7L V6 F/I	33-2125		S3	1.8L L4 F/I	33-2128 ♦	
A4	2.8L V6 F/I	33-2125 ♦		S4	2.7L V6 F/I	33-2125 ♦	
A4	3.0L V6 F/I	33-2209		S8	4.2L V8 F/I	33-2779	
A4 Quattro	1.8L L4 F/I	33-2125	HP-3001	TT	1.8L L4 F/I	33-2128 ♦	
A4 Quattro	2.8L V6 F/I	33-2125		<b>1998 AUDI</b>			
A6	1.8L L4 F/I	33-2125 ♦		A3	1.6L L4 F/I	33-2128 ♦	
A6	1.9L L4 DSL	33-2125 ♦		A3	1.8L L4 F/I	33-2128 ♦	HP-2005
A6	2.0L L4 F/I	33-2125		A3	1.9L L4 DSL	33-2128	
A6	2.4L V6 F/I	33-2125 ♦		A4	1.6L L4 F/I	33-2125 ♦	
A6	2.5L V6 DSL	33-2125 ♦		A4	1.8L L4 F/I	33-2125	HP-3001
A6	2.7L V6 F/I	33-2125				33-2125 ♦	HP-3001
A6	2.8L V6 F/I	33-2125 ♦		A4	1.9L L4 DSL	33-2125 ♦	
A6 Quattro	2.7L V6 F/I	33-2125		A4	2.4L V6 F/I	33-2125 ♦	
A6 Quattro	2.8L V6 F/I	33-2125 ♦		A4	2.5L V6 DSL	33-2125 ♦	
A6 Quattro	4.2L V8 F/I	33-2125		A4	2.6L V6 F/I	33-2125	
A8	2.5L V6 DSL	33-2779		A4	2.7L V6 F/I	33-2125	
A8	2.8L V6 F/I	33-2779		A4	2.8L V6 F/I	33-2125 ♦	HP-3001
A8	3.3L V8 DSL	33-2779		A4 Quattro	1.8L L4 F/I	33-2125 ♦	HP-3001
A8	3.7L V8 F/I	33-2779	HP-7005			33-2125 ♦	HP-3001
A8 Quattro	4.2L V8 F/I	33-2779	HP-7005	A4 Quattro	2.8L V6 F/I	33-2125 ♦	HP-3001
Allroad Quattro	2.5L V6 DSL	33-2125		A6	1.8L L4 F/I	33-2125 ♦	
Allroad Quattro	2.7L V6 F/I	33-2125		A6	1.9L L4 DSL	33-2125 ♦	
Cabriolet	1.8L L4 F/I	33-2029		A6	2.0L L4 F/I	33-2125	
Cabriolet	1.9L L4 DSL	33-2029		A6	2.4L V6 F/I	33-2125 ♦	
Cabriolet	2.8L V6 F/I	33-2029		A6	2.5L V6 DSL	33-2125 ♦	
RS4	2.7L V6 F/I	33-2125 ♦		A6	2.7L V6 F/I	33-2125	
S3	1.8L L4 F/I	33-2128 ♦		A6	2.8L V6 F/I		HP-3001
S4	2.7L V6 F/I	33-2125 ♦		A6	2.8L V6 F/I - AFC Eng.	33-2029 ♦	HP-3001
S8	4.2L V8 F/I	33-2779		A6	2.8L V6 F/I - AHA Eng.	33-2125 ♦	HP-3001
TT	1.8L L4 F/I	33-2128 ♦	HP-2005	A6 Quattro	2.8L V6 F/I		HP-3001

\*Indicates 2 filters required      ♦ - Intake kit available      Applications updated daily at [knfilters.com](http://knfilters.com) ®

**Partial Listing - Complete List of Vehicles and Applications at [knfilters.com](http://knfilters.com)**

# AUDI

# AIR & OIL FILTERS

Vehicle	Engine Type	Air Filter	Oil Filter	Vehicle	Engine Type	Air Filter	Oil Filter
<b>1998 AUDI</b>				<b>1996 AUDI</b>			
A6 Quattro	2.8L V6 F/I - Sedan	33-2125 ♦	HP-3001	A4	2.6L V6 F/I	33-2125	
A6 Quattro	2.8L V6 F/I - Wagon	33-2029 ♦	HP-3001	A4	2.8L V6 F/I	33-2125 ♦	HP-3001
A8	2.5L V6 DSL	33-2779		A4 Quattro	2.8L V6 F/I	33-2125 ♦	HP-3001
A8	2.8L V6 F/I	33-2779		A6	1.8L L4 F/I	33-2029	
A8	3.7L V8 F/I	33-2779	HP-7005	A6	1.9L L4 DSL	33-2029	
A8	4.2L V8 F/I	33-2779	HP-7005	A6	2.0L L4 F/I	33-2029	
A8 Quattro	4.2L V8 F/I	33-2779	HP-7005	A6	2.5L V6 DSL	33-2029	
Cabriolet	1.8L L4 F/I	33-2029		A6	2.6L V6 F/I	33-2029	
Cabriolet	1.9L L4 DSL	33-2029		A6	2.8L V6 F/I	33-2029	HP-3001
Cabriolet	2.0L L5 F/I	33-2029		A6	4.2L V8 F/I	33-2573	
Cabriolet	2.8L V6 F/I	33-2029		A6 Quattro	2.8L V6 F/I	33-2029	HP-3001
S4	2.7L V6 F/I	33-2125 ♦		A8	2.8L V6 F/I	33-2779	
S8	4.2L V8 F/I	33-2779		A8	3.7L V8 F/I	33-2779	
TT	1.8L L4 F/I	33-2128		A8	4.2L V8 F/I	33-2779	
<b>1997 AUDI</b>				<b>1995 AUDI</b>			
A3	1.6L L4 F/I	33-2128 ♦		Cabriolet	1.9L L4 DSL	33-2029	
A3	1.8L L4 F/I	33-2128 ♦		Cabriolet	2.0L L5 F/I	33-2029	
A3	1.9L L4 DSL	33-2128		Cabriolet	2.8L V6 F/I	33-2029	HP-3001
A4	1.6L L4 F/I	33-2125 ♦		Coupe	2.0L L4 F/I	33-2001	
A4	1.8L L4 F/I	33-2125	HP-3001	Coupe	2.3L L5 F/I	33-2001	
		33-2125 ♦	HP-3001	Coupe	2.6L V6 F/I	33-2029	
A4	1.9L L4 DSL	33-2125 ♦		Coupe	2.8L V6 F/I	33-2029	
A4	2.4L V6 F/I	33-2125 ♦		RS2	2.2L L4 F/I	33-2768	
A4	2.6L V6 F/I	33-2125		S2	2.2L L5 F/I	33-2768	
A4	2.8L V6 F/I	33-2125 ♦	HP-3001	S6	2.2L L5 F/I		HP-2005
A4 Quattro	1.8L L4 F/I	33-2125 ♦	HP-3001	S8	4.2L V8 F/I	33-2779	
		33-2125 ♦	HP-3001	<b>1994 AUDI</b>			
A4 Quattro	2.8L V6 F/I	33-2125 ♦	HP-3001	80	2.0L L4 F/I - 16v	33-2001	
A6	1.8L L4 F/I - from 5/97	33-2125 ♦		80	2.2L L5 F/I	33-2768	
A6	1.8L L4 F/I - to 4/97	33-2029 ♦		80	2.6L V6 F/I	33-2029	
A6	1.9L L4 DSL - from 3/97	33-2125 ♦		80	2.8L V6 F/I	33-2029	
A6	1.9L L4 DSL - to 2/97	33-2029 ♦		90	2.8L V6 F/I - AAH Eng.	33-2029	HP-2005
A6	2.0L L4 F/I	33-2125		90	2.8L V6 F/I - AFC Eng.	33-2029	HP-3001
A6	2.4L V6 F/I	33-2125 ♦		90 Quattro	2.8L V6 F/I	33-2029	HP-3001
A6	2.5L V6 DSL - from 7/97	33-2125 ♦		A4	1.6L L4 F/I	33-2125 ♦	
A6	2.5L V6 DSL - to 6/97	33-2029 ♦		A4	1.8L L4 F/I	33-2125 ♦	
A6	2.6L V6 F/I	33-2029		A4	1.9L L4 DSL	33-2125 ♦	
A6	2.7L V6 F/I	33-2125		A4	2.6L V6 F/I	33-2125	
A6	2.8L V6 F/I	33-2029 ♦	HP-3001	A4	2.8L V6 F/I	33-2125 ♦	
A6	4.2L V8 F/I	33-2573		A6	1.8L L4 F/I	33-2029	
A6 Quattro	2.8L V6 F/I	33-2029 ♦	HP-3001	A6	1.9L L4 DSL	33-2029	
A8	2.5L V6 DSL	33-2779		A6	2.0L L4 F/I	33-2029	
A8	2.8L V6 F/I	33-2779		A6	2.5L V6 DSL	33-2029	
A8	3.7L V8 F/I	33-2779		A6	2.6L V6 F/I	33-2029	
A8	4.2L V8 F/I	33-2779		A6	2.8L V6 F/I	33-2029	
A8 Quattro	4.2L V8 F/I	33-2779		A6	2.8L V6 F/I - AAH Eng.	33-2029	HP-2005
Cabriolet	1.8L L4 F/I	33-2029		A6	2.8L V6 F/I - AFC Eng.	33-2029	HP-3001
Cabriolet	1.9L L4 DSL	33-2029		A6	4.2L V8 F/I	33-2573	
Cabriolet	2.0L L5 F/I	33-2029		A6 Quattro	2.8L V6 F/I	33-2029	HP-3001
Cabriolet	2.8L V6 F/I	33-2029		A8	2.8L V6 F/I	33-2779	
Coupe	2.3L L5 F/I	33-2001		A8	3.7L V8 F/I	33-2779	
S4	2.7L V6 F/I	33-2125 ♦		A8	4.2L V8 F/I	33-2779	
S6	2.2L L5 F/I		HP-2005	Cabriolet	2.0L L5 F/I	33-2029	
S8	4.2L V8 F/I	33-2779		Cabriolet	2.8L V6 F/I	33-2029	HP-3001
<b>1996 AUDI</b>				<b>1994 AUDI</b>			
80	2.0L L4 F/I - 16v	33-2001		80	1.6L L4 CARB	E-1210	
A3	1.6L L4 F/I	33-2128 ♦					
A3	1.8L L4 F/I	33-2128 ♦					
A3	1.9L L4 DSL	33-2128					
A4	1.6L L4 F/I	33-2125 ♦					
A4	1.8L L4 F/I	33-2125 ♦					
A4	1.9L L4 DSL	33-2125 ♦					

\*Indicates 2 filters required

♦ - Intake kit available

Applications updated daily at [knfilters.com](http://knfilters.com) ®

# AIR & OIL FILTERS

# AUDI

Vehicle	Engine Type	Air Filter	Oil Filter	Vehicle	Engine Type	Air Filter	Oil Filter
<b>1994 AUDI</b>				<b>1993 AUDI</b>			
80	2.0L L4 F/I - 16v	33-2001		Coupe	2.0L L4 F/I	33-2001	
80	2.0L L4 F/I - exc. 16v	33-2029		Coupe	2.3L L5 F/I	33-2001	
80	2.2L L5 F/I	33-2768		Coupe	2.6L V6 F/I	33-2029	
80	2.3L L5 F/I	33-2001		Coupe	2.8L V6 F/I	33-2029	
80	2.6L V6 F/I	33-2029		S2	2.2L L5 F/I	33-2768	
80	2.8L V6 F/I	33-2029		S4	2.2L L5 F/I	33-2029	HP-2005
90	2.8L V6 F/I	33-2029	HP-2005	S4	2.3L L5 F/I - 20v, Turbo	33-2029	
90 Quattro	2.8L V6 F/I	33-2029	HP-2005	V8 Quattro	3.6L V8 F/I	33-2573	
100	2.0L L4 F/I	33-2029		V8 Quattro	4.2L V8 F/I	33-2573	
100	2.2L L5 F/I	33-2029		<b>1992 AUDI</b>			
100	2.3L L5 F/I - Non-US	33-2029		80	1.6L L4 CARB	E-1210	
100	2.4L L5 DSL	33-2029		80	2.0L L4 F/I	33-2029	
100	2.5L L5 DSL	33-2029		80	2.3L L5 F/I	33-2001	HP-2005
100	2.6L V6 F/I	33-2029		80	2.6L V6 F/I	33-2029	
100	2.8L V6 F/I	33-2029	HP-2005	80	2.8L V6 F/I	33-2029	
100 Quattro	2.8L V6 F/I	33-2029	HP-2005	80 Quattro	2.3L L5 F/I	33-2001	HP-2005
100/200	1.9L L4 DSL - TDi, 90BHP	33-2029		100	2.0L L4 F/I	33-2029	
A4	1.8L L4 F/I	33-2125		100	2.2L L5 F/I	33-2029	
A4	1.9L L4 DSL	33-2125 ♦		100	2.3L L5 F/I	33-2029	
A4	2.6L V6 F/I	33-2125		100	2.5L L5 DSL	33-2029	
A4	2.8L V6 F/I	33-2125		100	2.6L V6 F/I	33-2029	
A6	2.5L V6 DSL	33-2029		100	2.8L V6 F/I	33-2029	HP-2005
A6	2.6L V6 F/I	33-2029		100 Quattro	2.8L V6 F/I	33-2029	HP-2005
A6	2.8L V6 F/I	33-2029		100/200	1.9L L4 DSL - TDi, 90BHP	33-2029	
A6	4.2L V8 F/I	33-2573		Cabriolet	2.3L L5 F/I	33-2001	
A8	2.8L V6 F/I	33-2779		Coupe	2.0L L4 F/I	33-2001	
A8	4.2L V8 F/I	33-2779		Coupe	2.3L L5 F/I	33-2001	
Cabriolet	2.0L L5 F/I	33-2029		Coupe	2.6L V6 F/I	33-2029	
Cabriolet	2.3L L5 F/I	33-2001		Coupe	2.8L V6 F/I	33-2029	
Cabriolet	2.8L V6 F/I	33-2029	HP-2005	S2	2.2L L5 F/I - 220BHP	33-2001	
Coupe	2.0L L4 F/I	33-2001		S2	2.2L L5 F/I - 230BHP	33-2768	
Coupe	2.3L L5 F/I	33-2001		S4	2.2L L5 F/I	33-2029	HP-2005
Coupe	2.6L V6 F/I	33-2029		V8 Quattro	3.6L V8 F/I	33-2573	
Coupe	2.8L V6 F/I	33-2029		V8 Quattro	4.2L V8 F/I	33-2573	
RS2	2.2L L4 F/I	33-2768		<b>1991 AUDI</b>			
S2	2.2L L5 F/I	33-2768		80	1.6L L4 CARB	E-1210	
S4	2.2L L5 F/I	33-2029	HP-2005	80	1.6L L4 DSL	33-2001	
S4	2.3L L5 F/I	33-2029	HP-2005	80	1.8L L4 F/I - KE Jetronic	33-2001	
S4	2.3L L5 F/I - Turbo, 20v	33-2029	HP-2005	80	1.8L L4 F/I - SPi	E-1210	
V8 Quattro	3.6L V8 F/I	33-2573		80	1.9L L5 DSL	33-2029	
V8 Quattro	4.2L V8 F/I	33-2573	HP-2005	80	2.0L L4 F/I - from 9/91	33-2029	
<b>1993 AUDI</b>				80	2.0L L4 F/I - to 8/91	33-2001	
80	1.6L L4 CARB	E-1210		80	2.3L L5 F/I	33-2001	HP-2005
80	2.0L L4 F/I - 16v	33-2001		80	2.8L V6 F/I	33-2029	
80	2.0L L4 F/I - exc. 16v	33-2029		80 Quattro	2.3L L5 F/I	33-2001	HP-2005
80	2.2L L5 F/I	33-2768		90	2.0L L5 F/I - 20v	33-2001	
80	2.3L L5 F/I	33-2001		90	2.3L L5 F/I	33-2001	HP-2005
80	2.6L V6 F/I	33-2029		90	2.3L L5 F/I - Non-US, 20v	33-2001	HP-2005
80	2.8L V6 F/I	33-2029		90	2.3L L5 F/I - US	33-2001	HP-2005
90	2.8L V6 F/I	33-2029	HP-2005	90 Quattro	2.3L L5 F/I	33-2001	HP-2005
90 Quattro	2.8L V6 F/I	33-2029	HP-2005	90 Quattro	2.3L L5 F/I - US	33-2001	HP-2005
100	2.0L L4 F/I	33-2029		100	2.0L L4 F/I	33-2029	
100	2.2L L5 F/I	33-2029		100	2.3L L5 F/I	33-2029	HP-2005
100	2.3L L5 F/I	33-2029		100	2.3L L5 F/I - Non-US	33-2029	HP-2005
100	2.4L L5 DSL	33-2029		100	2.3L L5 F/I - US	33-2003	HP-2005
100	2.5L L5 DSL	33-2029		100	2.8L V6 F/I	33-2029	
100	2.6L V6 F/I	33-2029		100 Quattro	2.3L L5 F/I	33-2001	HP-2005
100	2.8L V6 F/I	33-2029	HP-2005	100 Quattro	2.3L L5 F/I - US	33-2003	HP-2005
100 Quattro	2.8L V6 F/I	33-2029	HP-2005	100/200	1.9L L4 DSL - TDi, 90BHP	33-2029	
100/200	1.9L L4 DSL - TDi, 90BHP	33-2029		200	2.2L L5 F/I	33-2003	HP-2005
Cabriolet	2.3L L5 F/I	33-2001					
Cabriolet	2.8L V6 F/I	33-2029					

\*Indicates 2 filters required      ♦ - Intake kit available      Applications updated daily at [knfilters.com](http://knfilters.com) ®

**Partial Listing - Complete List of Vehicles and Applications at [knfilters.com](http://knfilters.com)**



# AUDI

# AIR & OIL FILTERS

Vehicle	Engine Type	Air Filter	Oil Filter	Vehicle	Engine Type	Air Filter	Oil Filter
<b>1991 AUDI</b>				<b>1989 AUDI</b>			
200 Quattro	2.2L L5 F/I		HP-2005	200 Quattro	2.2L L5 F/I	33-2003	HP-2005
200 Quattro	2.2L L5 F/I - 10v	33-2003	HP-2005	Coupe	2.0L L4 F/I	33-2001	
200 Quattro	2.2L L5 F/I - 20v	33-2768	HP-2005	Coupe	2.0L L5 F/I	33-2001	
Cabriolet	2.3L L5 F/I	33-2001		Quattro	2.2L L5 F/I	33-2001	
Coupe	2.0L L4 F/I	33-2001		V8 Quattro	3.6L V8 F/I	33-2573	
Coupe	2.0L L5 F/I	33-2001		<b>1988 AUDI</b>			
Coupe	2.8L V6 F/I	33-2029		80	1.6L L4 CARB	E-1210	
Coupe Quattro	2.3L L5 F/I	33-2001	HP-2005	80	1.6L L4 DSL	33-2001	
S2	2.2L L5 F/I	33-2001		80	1.8L L4 F/I - KE Jetronic	33-2001	
V8 Quattro	3.6L V8 F/I	33-2573		80	1.8L L4 F/I - SPi	E-1210	
V8 Quattro	4.2L V8 F/I	33-2573		80	2.0L L4 F/I	33-2001	HP-2005
<b>1990 AUDI</b>				80 Quattro	2.3L L5 F/I	33-2001	HP-2005
80	1.6L L4 CARB	E-1210		90	2.0L L4 F/I	33-2001	HP-2005
80	1.6L L4 DSL	33-2001		90	2.0L L5 F/I		HP-2005
80	1.8L L4 F/I - KE Jetronic	33-2001		90	2.3L L5 F/I		HP-2005
80	1.8L L4 F/I - SPi	E-1210		90	2.3L L5 F/I - Non-US, 20v	33-2001	HP-2005
80	1.9L L5 DSL	33-2029		90	2.3L L5 F/I - US	33-2001	HP-2005
80	2.0L L4 F/I	33-2001	HP-2005	90 Quattro	2.3L L5 F/I	HP-2005	
80 Quattro	2.3L L5 F/I	33-2001	HP-2005	90 Quattro	2.3L L5 F/I - US	33-2001	HP-2005
90	2.0L L5 F/I - 20v	33-2001		100	2.3L L5 F/I	33-2003	
90	2.2L L5 F/I	33-2001		5000 Quattro	2.2L L5 F/I	33-2003	HP-2005
90	2.3L L5 F/I		HP-2005	5000 Quattro	2.3L L5 F/I	33-2003	HP-2005
90	2.3L L5 F/I - Non-US, 20v	33-2001	HP-2005	<b>1987 AUDI</b>			
90	2.3L L5 F/I - US	33-2001	HP-2005	80	1.8L L4 F/I - KE Jetronic	33-2001	
90 Quattro	2.3L L5 F/I		HP-2005	80	1.8L L4 F/I - SPi	E-1210	
90 Quattro	2.3L L5 F/I - US	33-2001	HP-2005	90	2.2L L5 F/I	33-2001	
100	2.0L L4 F/I	33-2003		100	2.0L L5 DSL - Turbo	33-2635	
100	2.0L L5 DSL - exc. Turbo	33-2001		100	2.2L L5 F/I - exc. 120BHP, 200BHP	33-2003	
100	2.0L L5 DSL - Turbo	33-2635		100	2.3L L5 F/I	33-2003	
100	2.2L L5 F/I	33-2029		100	2.3L L5 F/I	33-2003	
100	2.3L L5 F/I	33-2003	HP-2005	200	2.3L L5 F/I	33-2003	
100	2.5L L5 DSL	33-2635		4000	1.8L L4 F/I	33-2001	HP-2005
100 Quattro	2.3L L5 F/I	33-2003	HP-2005	4000 Quattro	2.2L L5 F/I	33-2001	HP-2005
200	2.2L L5 F/I	33-2003	HP-2005	5000 Quattro	2.2L L5 F/I	33-2003	HP-2005
200 Quattro	2.2L L5 F/I	33-2003	HP-2005	5000 Quattro	2.3L L5 F/I		HP-2005
Coupe	2.0L L4 F/I	33-2001		Coupe	2.2L L5 F/I	33-2001	HP-2005
Coupe	2.0L L5 F/I	33-2001		Quattro	2.2L L5 F/I	33-2001	
Coupe Quattro	2.3L L5 F/I	33-2001	HP-2005	<b>1986 AUDI</b>			
S2	2.2L L5 F/I	33-2001		80	1.6L L4 F/I - 110BHP	33-2002	
V8 Quattro	3.6L V8 F/I	33-2573		80	1.8L L4 CARB - 90BHP	E-1210	
<b>1989 AUDI</b>				80	1.8L L4 F/I - 90BHP, KE Jetronic	33-2001	
80	1.6L L4 CARB	E-1210		80	1.8L L4 F/I - 90BHP, SPi	E-1210	
80	1.6L L4 DSL	33-2001		100	1.8L L4 CARB	E-1210	
80	1.8L L4 F/I - KE Jetronic	33-2001		100	1.8L L4 F/I - 90BHP	33-2003	
80	1.8L L4 F/I - SPi	E-1210		100	2.2L L5 F/I - exc. 120BHP, 200BHP	33-2003	
80	2.0L L4 F/I	33-2001	HP-2005	200	2.3L L5 F/I	33-2003	
80 Quattro	2.3L L5 F/I		HP-2005	4000	2.2L L5 F/I	33-2001	HP-2005
90	2.0L L5 F/I - 20v	33-2001		4000 Quattro	2.2L L5 F/I	33-2001	HP-2005
90	2.2L L5 F/I	33-2001		5000	2.2L L5 F/I	33-2003	HP-2005
90	2.3L L5 F/I		HP-2005	5000 Quattro	2.2L L5 F/I	33-2003	HP-2005
90	2.3L L5 F/I - Non-US, 20v	33-2001	HP-2005	Coupe	2.0L L4 F/I	33-2001	
90	2.3L L5 F/I - US	33-2001	HP-2005	Coupe	2.0L L5 F/I	33-2001	
90 Quattro	2.3L L5 F/I		HP-2005	Coupe	2.2L L5 F/I	33-2001	HP-2005
90 Quattro	2.3L L5 F/I - US	33-2001	HP-2005	<b>1985 AUDI</b>			
100	2.0L L5 DSL - Turbo	33-2635		80	1.6L L4 CARB	E-1210	
100	2.2L L5 F/I - from 4/89, exc. 120BHP, 200BHP	33-2029		80	1.6L L4 DSL	33-2001	
100	2.2L L5 F/I - to 3/89, exc. 120BHP, 200BHP	33-2003		80	1.6L L4 F/I - 110BHP	33-2002	
100	2.3L L5 F/I	33-2003	HP-2005	80	1.8L L4 CARB - 90BHP	E-1210	
100 Quattro	2.3L L5 F/I	33-2003	HP-2005	80	1.8L L4 F/I - 90BHP	33-2001	

\*Indicates 2 filters required

◆ - Intake kit available

Applications updated daily at [knfilters.com](http://knfilters.com) ®

# AIR & OIL FILTERS

# AUDI

Vehicle	Engine Type	Air Filter	Oil Filter
<b>1985 AUDI</b>			
100	2.0L L5 DSL - Turbo	33-2635	
4000	1.8L L4 F/I	33-2001	HP-2005
4000 Quattro	2.2L L5 F/I	33-2001	HP-2005
5000	2.2L L5 F/I	33-2003	HP-2005
Coupe	2.2L L5 F/I	33-2001	HP-2005
Quattro	2.2L L5 F/I		HP-2005
<b>1984 AUDI</b>			
80	1.6L L4 F/I - 110BHP	33-2002	
100	2.0L L5 DSL - Turbo	33-2635	
4000	1.8L L4 F/I	33-2002	HP-2005
4000 Quattro	2.2L L5 F/I	33-2001	HP-2005
5000	2.2L L5 F/I	33-2003	HP-2005
Coupe	2.2L L5 F/I	33-2001	HP-2005
Quattro	2.2L L5 F/I		HP-2005
<b>1983 AUDI</b>			
Quattro	2.2L L5 F/I		HP-2005
<b>1982 AUDI</b>			
Coupe	2.2L L5 F/I	33-2001	HP-2005
<b>1975 AUSTIN</b>			
Marina	1.8L L4 CARB		HP-1002
<b>1974 AUSTIN</b>			
Marina	1.8L L4 CARB		HP-1002
<b>1973 AUSTIN</b>			
Marina	1.8L L4 CARB		HP-1002
<b>1972 AUSTIN</b>			
America	1.3L L4 CARB	E-2600	HP-1002
Sprite	1.3L L4 CARB	E-2230	HP-1002
<b>1971 AUSTIN</b>			
Sprite	1.3L L4 CARB	E-2230	HP-1002
<b>1970 AUSTIN</b>			
America	1.3L L4 CARB	E-2600	HP-1002
Sprite	1.3L L4 CARB	E-2230	HP-1002
<b>1969 AUSTIN</b>			
America	1.3L L4 CARB	E-2600	
Sprite	1.3L L4 CARB	E-2230	HP-1002
<b>1968 AUSTIN</b>			
America	1.3L L4 CARB	E-2600	
<b>1990 BEDFORD</b>			
Rascal	1.0L L4 F/I	E-9104	
<b>1989 BEDFORD</b>			
Rascal	1.0L L4 F/I	E-9104	
<b>1987 BEDFORD</b>			
Rascal	1.0L L4 F/I	E-9104	
<b>1980 BEDFORD</b>			
Chevanne	1.3L L4 CARB	33-2505	
<b>1979 BEDFORD</b>			
Chevanne	1.3L L4 CARB	33-2505	
<b>1978 BEDFORD</b>			
Chevanne	1.3L L4 CARB	33-2505	
<b>1977 BEDFORD</b>			
Chevanne	1.3L L4 CARB	33-2505	
<b>2001 BENTLEY</b>			
Arnage	4.4L V8 F/I		HP-7006

Vehicle	Engine Type	Air Filter	Oil Filter
<b>2000 BENTLEY</b>			
Arnage	4.4L V8 F/I		HP-7006
Continental	6.7L V8 F/I	33-2543	
Corniche	6.7L V8 F/I	33-2543	
<b>1999 BENTLEY</b>			
Arnage	4.4L V8 F/I		HP-7006
Continental	6.7L V8 F/I	33-2543	
Corniche	6.7L V8 F/I	33-2543	
<b>1998 BENTLEY</b>			
Continental	6.7L V8 F/I	33-2543	
Corniche	6.7L V8 F/I	33-2543	
<b>1997 BENTLEY</b>			
Continental	6.8L V8 F/I	33-2543	
Corniche	6.7L V8 F/I	33-2543	
Turbo R	6.7L V8 F/I	33-2543	
<b>1996 BENTLEY</b>			
Continental	6.7L V8 F/I	33-2543	
Turbo R	6.7L V8 F/I	33-2543	
<b>1995 BENTLEY</b>			
Continental	6.7L V8 F/I	33-2543	
Corniche	6.7L V8 F/I	33-2543	
Turbo R	6.7L V8 F/I	33-2543	
<b>1994 BENTLEY</b>			
Turbo R	6.7L V8 F/I	33-2543	
<b>1993 BENTLEY</b>			
Continental	6.7L V8 F/I	33-2543	
<b>1992 BENTLEY</b>			
Turbo R	6.7L V8 F/I	33-2543	
<b>1989 BENTLEY</b>			
Turbo R	6.7L V8 F/I	33-2543	
<b>1988 BENTLEY</b>			
Turbo R	6.8L V8 F/I	33-2543	
<b>1988 BERTONE</b>			
X1/9	1.5L L4 F/I		HP-2004
<b>1987 BERTONE</b>			
X1/9	1.5L L4 F/I		HP-2004
<b>1986 BERTONE</b>			
X1/9	1.5L L4 F/I		HP-2004
<b>1985 BERTONE</b>			
X1/9	1.5L L4 F/I		HP-2004
<b>1984 BERTONE</b>			
X1/9	1.5L L4 F/I		HP-2004
<b>2011 BMW</b>			
116D	2.0L L4 DSL	33-2942	
116i	2.0L L4 F/I	RC-9350	
118d	2.0L L4 DSL	33-2942	
118i	2.0L L4 F/I	E-2021 ♦	
120d	2.0L L4 DSL	33-2942	
120i	2.0L L4 F/I	E-2021 ♦	
123d	2.0L L4 DSL	33-2942	
128i	3.0L L6 F/I	33-2332	HP-7014
130i	3.0L L6 F/I	33-2332	
135i	3.0L L6 F/I	33-2458	HP-7014
316D	2.0L L4 DSL	33-2942	
316i	1.6L L4 F/I	E-2021	
318D	2.0L L4 DSL	33-2942	
318i	2.0L L4 F/I	E-2021 ♦	

\*Indicates 2 filters required      ♦ - Intake kit available      Applications updated daily at [knfilters.com](http://knfilters.com) ®

**Partial Listing - Complete List of Vehicles and Applications at [knfilters.com](http://knfilters.com)**

# BMW

# AIR & OIL FILTERS

Vehicle	Engine Type	Air Filter	Oil Filter	Vehicle	Engine Type	Air Filter	Oil Filter
<b>2011 BMW</b>				<b>2010 BMW</b>			
320D	2.0L L4 DSL	33-2942 ♦		123d	2.0L L4 DSL	33-2942	
320i	2.0L L4 F/I	E-2021 ♦		128i	3.0L L6 F/I	33-2332	HP-7014
325d	3.0L L6 DSL	E-2657		130i	3.0L L6 F/I - w/Panel Filter	33-2332	
325i	3.0L L6 F/I	33-2332		130i	3.0L L6 F/I - w/Round Filter	E-2022	
328i	3.0L L6 F/I	33-2332		135i	3.0L L6 F/I		HP-7014
328i xDrive	3.0L L6 F/I	33-2332		135i	3.0L L6 F/I - N54 Eng.	33-2367	HP-7014
330D	3.0L L6 DSL	33-2942		135i	3.0L L6 F/I - N55 Eng.	33-2458	HP-7014
330i	3.0L L6 F/I	33-2332		135i	3.0L L6 F/I - US	33-2367	HP-7014
335d	3.0L L6 DSL	33-2942		316D	2.0L L4 DSL	33-2942	
335i	3.0L L6 F/I	33-2458		316i	1.6L L4 F/I - Exc. N45N Eng	RC-9350	
335i xDrive	3.0L L6 F/I	33-2458		316i	1.6L L4 F/I - N45N Eng	E-2021	
335is Convertible	3.0L L6 F/I - Non-US	33-2367		318D	2.0L L4 DSL	33-2942 ♦	
335is Convertible	3.0L L6 F/I - US	33-2458		318i	2.0L L4 F/I	E-2021 ♦	
335is Coupe	3.0L L6 F/I	33-2458		320D	2.0L L4 DSL	33-2942 ♦	
523i	3.0L L6 F/I	33-2970		320i	2.0L L4 F/I	E-2021 ♦	
528i	3.0L L6 F/I	33-2970		325d	3.0L L6 DSL	E-2657	
528i xDrive	3.0L L6 F/I - Non-US, F10	33-2970		325i	3.0L L6 F/I - w/Panel Filter	33-2332	
535i GT	3.0L L6 F/I	33-2428		325i	3.0L L6 F/I - w/Round Filter	E-2022	
535i GT xDrive	3.0L L6 F/I	33-2428		328i	3.0L L6 F/I	33-2332	HP-7014
535i xDrive	3.0L L6 F/I	33-2428		328i xDrive	3.0L L6 F/I	33-2332	HP-7014
630i	3.0L L6 F/I	33-2292		330D	3.0L L6 DSL	33-2942 ♦	
635d	3.0L L6 DSL	33-2943		330i	3.0L L6 F/I - w/Panel Filter	33-2332	
650i	4.8L V8 F/I	33-2294		330i	3.0L L6 F/I - w/Round Filter	E-2022	
730i	3.0L L6 F/I	33-2970		335d	3.0L L6 DSL	33-2942	
740i	3.0L L6 F/I	33-2428		335i	3.0L L6 F/I		HP-7014
740Li	3.0L L6 F/I	33-2428		335i	3.0L L6 F/I - Non-US, N54 Eng.	33-2367	HP-7014
F650GS	652	BM-8006		335i	3.0L L6 F/I - US	33-2367	HP-7014
F800GS	798	BM-8006		335i xDrive	3.0L L6 F/I		HP-7014
F800S	798	BM-8006		335i xDrive	3.0L L6 F/I - US	33-2367	HP-7014
F800ST	798	BM-8006		520d	2.0L L4 DSL	33-2943	
G650 Xchallenge	652	BM-6507		520i	2.0L L6 F/I	33-2294	
G650GS	650	BM-6501		523i	2.5L L6 F/I - E60, E61	33-2292	
HP2 Megamoto	1170	BM-1204		523i	3.0L L6 F/I - F10, F11	33-2970	
HP2 Sport	1170	BM-1208		525d	3.0L L6 DSL	E-2657	
K1300GT	1300	BM-1205		525i	3.0L L6 F/I	33-2292	
K1300R	1300	BM-1205		528i	3.0L L6 F/I		HP-7014
K1300S	1300	BM-1205		528i	3.0L L6 F/I - Non-US, E60, E61	33-2292	HP-7014
M3	4.0L V8 F/I	E-2994		528i	3.0L L6 F/I - Non-US, F10, F11	33-2970	HP-7014
M6	5.0L V10 F/I - Left Side Air Box	33-2352		528i	3.0L L6 F/I - US	33-2292	HP-7014
M6	5.0L V10 F/I - Right Side Air Box	33-2350		528i xDrive	3.0L L6 F/I		HP-7014
R1200R	1200	BM-1204		528i xDrive	3.0L L6 F/I - Non-US, E60, E61	33-2292	HP-7014
R1200S	1200	BM-1204		528i xDrive	3.0L L6 F/I - Non-US, F10	33-2970	HP-7014
S1000RR	990	BM-1010		528i xDrive	3.0L L6 F/I - US	33-2292	HP-7014
		BM-1010R		530d	3.0L L6 DSL	E-2657	
X1	2.0L L4 DSL	33-2942		530i	3.0L L6 F/I	33-2292	
X1	2.0L L4 F/I	E-2021		535d	3.0L L6 DSL	33-2943	
X3	3.0L L6 F/I - Non-US, F25	33-2428		535i	3.0L L6 F/I	33-2367	HP-7014
X3	3.0L L6 F/I - US	33-2372		535i GT	3.0L L6 F/I	33-2428	
X5	3.0L L6 F/I	33-2428		535i xDrive	3.0L L6 F/I	33-2367	HP-7014
X6	3.0L L6 F/I	33-2428	HP-7014	540i	4.0L V8 F/I	33-2294	
Z4	3.0L L6 F/I		HP-7014	550i	4.8L V8 F/I	33-2294	
Z4	3.0L L6 F/I - exc. Turbo	33-2963	HP-7014	630i	3.0L L6 F/I	33-2292	
Z4	3.0L L6 F/I - Turbo	33-2367	HP-7014	635d	3.0L L6 DSL	33-2943	
<b>2010 BMW</b>				<b>2010 BMW</b>			
116D	2.0L L4 DSL	33-2942		650i	4.8L V8 F/I	33-2294	
116i	1.6L L4 F/I	E-2021		730i	3.0L L6 F/I	33-2970	
116i	2.0L L4 F/I	RC-9350		740i	3.0L L6 F/I	33-2428	
118d	2.0L L4 DSL	33-2942 ♦		F650GS	652	BM-8006	
118i	2.0L L4 F/I	E-2021 ♦					
120d	2.0L L4 DSL	33-2942 ♦					
120i	2.0L L4 F/I	E-2021 ♦					

\*Indicates 2 filters required

♦ - Intake kit available

Applications updated daily at [knfilters.com](http://knfilters.com) ®

# AIR & OIL FILTERS

# BMW

Vehicle	Engine Type	Air Filter	Oil Filter	Vehicle	Engine Type	Air Filter	Oil Filter
<b>2010 BMW</b>				<b>2009 BMW</b>			
F800GS	798	BM-8006		135i	3.0L L6 F/I - Non-US, N54 Eng.	33-2367	HP-7014
F800R	798	BM-8006		135i	3.0L L6 F/I - US	33-2367	HP-7014
F800S	798	BM-8006		316D	2.0L L4 DSL	33-2942	
F800ST	798	BM-8006		316i	1.6L L4 F/I - Exc. N45N Eng	RC-9350	
G650 Xchallenge	652	BM-6507		316i	1.6L L4 F/I - N45N Eng	E-2021	
G650 Xcountry	652	BM-6507		318D	2.0L L4 DSL	33-2942 ♦	
G650 Xmoto	652	BM-6507		318i	2.0L L4 F/I	E-2021 ♦	
G650GS	650	BM-6501		320D	2.0L L4 DSL	33-2942 ♦	
HP2 Megamoto	1170	BM-1204	KN-164	320i	2.0L L4 F/I	E-2021 ♦	
HP2 Sport	1170	BM-1208	KN-164	325d	3.0L L6 DSL	E-2657	
K1300GT	1300	BM-1205		325i	3.0L L6 F/I	E-2022	
K1300R	1300	BM-1205		328i	3.0L L6 F/I	33-2332	HP-7014
K1300S	1300	BM-1205		328i xDrive	3.0L L6 F/I	33-2332	HP-7014
M3	4.0L V8 F/I	E-2994		328xi	3.0L L6 F/I	33-2332	
M5	5.0L V10 F/I - Left Side Air Box	33-2352		330D	3.0L L6 DSL	33-2942 ♦	
M5	5.0L V10 F/I - Right Side Air Box	33-2350		330i	3.0L L6 F/I	E-2022	
M6	5.0L V10 F/I - Left Side Air Box	33-2352		335d	3.0L L6 DSL	33-2942	
M6	5.0L V10 F/I - Right Side Air Box	33-2350		335i	3.0L L6 F/I	33-2367	HP-7014
M6	5.0L V10 F/I - Right Side Air Box	33-2350		335i xDrive	3.0L L6 F/I	33-2367	HP-7014
R1200GS	1200	BM-1204		520d	2.0L L4 DSL	33-2943	
R1200GS Adventure	1200	BM-1204		520i	2.0L L6 F/I	33-2294	
R1200R	1200	BM-1204		523i	2.5L L6 F/I	33-2292	
R1200RT	1200	BM-1204	KN-164	525d	3.0L L6 DSL	E-2657	
R1200S	1200	BM-1204		525i	3.0L L6 F/I	33-2292	
S1000RR	990	BM-1010	KN-164	528i	3.0L L6 F/I	33-2292	HP-7014
		BM-1010R	KN-164	528i xDrive	3.0L L6 F/I	33-2292	HP-7014
X1	2.0L L4 DSL	33-2942 ♦		528xi	3.0L L6 F/I	33-2292	
X1	2.0L L4 F/I	E-2021		530d	3.0L L6 DSL	E-2657	
X1	3.0L L6 F/I	E-2022		530i	3.0L L6 F/I	33-2292	
X3	3.0L L6 F/I		HP-7014	535d	3.0L L6 DSL	33-2943	
X3	3.0L L6 F/I - Non-US, E83	33-2372	HP-7014	535i	3.0L L6 F/I	33-2367	HP-7014
X3	3.0L L6 F/I - Non-US, F25	33-2428	HP-7014	535i GT	3.0L L6 F/I	33-2428	
X3	3.0L L6 F/I - US	33-2372	HP-7014	535i xDrive	3.0L L6 F/I	33-2367	HP-7014
X3 Si	2.5L L6 F/I	33-2372		540i	4.0L V8 F/I	33-2294	
X5	3.0L L6 DSL - 30dX	E-2657		550i	4.8L V8 F/I	33-2294	
X5	3.0L L6 DSL - 35dX	33-2959		630i	3.0L L6 F/I	33-2292	
X5	3.0L L6 F/I		HP-7014	635d	3.0L L6 DSL	33-2943	
X5	3.0L L6 F/I - 35iX	33-2428	HP-7014	650i	4.8L V8 F/I	33-2294	
X5	3.0L L6 F/I - US	33-2406	HP-7014	730i	3.0L L6 F/I	33-2970	
X5	4.8L V8 F/I	33-2407		740i	3.0L L6 F/I	33-2428	
X6	3.0L L6 DSL - 30dX	E-2657		740iL	3.0L L6 F/I	33-2428	
X6	3.0L L6 DSL - 35dX	33-2959		F650GS	652	BM-8006	KN-164
X6	3.0L L6 F/I	33-2428	HP-7014	F650GS Dakar	652	BM-8006	
Z4	2.5L L6 F/I	33-2963		F800GS	798		KN-164
Z4	3.0L L6 F/I		HP-7014	F800R	798	BM-8006	KN-164
Z4	3.0L L6 F/I - 23i, 30i	33-2963	HP-7014	F800S	798	BM-8006	KN-164
Z4	3.0L L6 F/I - 35i	33-2367	HP-7014	F800ST	798	BM-8006	KN-164
Z4	3.0L L6 F/I - exc. Turbo	33-2963	HP-7014	G650 Xchallenge	652	BM-6507	
Z4	3.0L L6 F/I - Turbo	33-2367	HP-7014	G650 Xcountry	652	BM-6507	
				G650 Xmoto	652	BM-6507	
				G650GS	650	BM-6501	KN-151
				HP2 Sport	1170	BM-1208	KN-164
				K1300GT	1300	BM-1205	
				K1300R	1300	BM-1205	
				K1300S	1300	BM-1205	
				M3	4.0L V8 F/I - Non-US	E-2994	
				M3	4.0L V8 F/I - US	E-1994	
				M5	5.0L V10 F/I - Left Side Air Box	33-2352	
				M5	5.0L V10 F/I - Right Side Air Box	33-2350	
				M6	5.0L V10 F/I - Left Side Air Box	33-2352	
<b>2009 BMW</b>							
116D	2.0L L4 DSL	33-2942					
116i	1.6L L4 F/I	E-2021					
116i	2.0L L4 F/I	RC-9350					
118d	2.0L L4 DSL	33-2942 ♦					
118i	2.0L L4 F/I	E-2021 ♦					
120d	2.0L L4 DSL	33-2942 ♦					
123d	2.0L L4 DSL	33-2942					
128i	3.0L L6 F/I	33-2332	HP-7014				
130i	3.0L L6 F/I	E-2022					
135i	3.0L L6 F/I		HP-7014				

\*Indicates 2 filters required      ♦ - Intake kit available      Applications updated daily at [knfilters.com](http://knfilters.com) ®

**Partial Listing - Complete List of Vehicles and Applications at [knfilters.com](http://knfilters.com)**

# BMW

# AIR & OIL FILTERS

Vehicle	Engine Type	Air Filter	Oil Filter	Vehicle	Engine Type	Air Filter	Oil Filter
<b>2009 BMW</b>				<b>2008 BMW</b>			
M6	5.0L V10 F/I - Right Side Air Box	33-2350		530xi	3.0L L6 F/I	33-2292	
R1200 HP2 Sport	1200		KN-164	535d	3.0L L6 DSL	33-2943	
R1200GS	1170	BM-1204	KN-164	535i	3.0L L6 F/I	33-2367	HP-7014
R1200R	1170	BM-1204	KN-164	535xi	3.0L L6 F/I	33-2367	HP-7014
R1200RT	1170	BM-1204	KN-164	540i	4.0L V8 F/I	33-2294	
R1200S	1170	BM-1204	KN-164	550i	4.8L V8 F/I	33-2294	
S1000RR	990		KN-164	630i	3.0L L6 F/I	33-2292	
X1	2.0L L4 DSL	33-2942 ♦		635d	3.0L L6 DSL	33-2943	
X1	3.0L L6 F/I	E-2022		650i	4.8L V8 F/I	33-2294	
X3	3.0L L6 DSL	33-2946		730D	3.0L L6 DSL	E-2657	
X3	3.0L L6 F/I	33-2372	HP-7014	730i	3.0L L6 F/I	33-2254	
X3 Si	2.5L L6 F/I	33-2372	HP-7007	740i	4.0L V8 F/I	33-2254*	
X5	3.0L L6 DSL - 30dX	E-2657		740iL	4.0L V8 F/I	33-2254*	
X5	3.0L L6 DSL - 35dX	33-2959		745d	4.4L V8 DSL	33-2254*	
X5	3.0L L6 F/I	33-2406	HP-7014	750i	4.8L V8 F/I - Non-US	33-2254*	
X5	4.8L V8 F/I	33-2407		750i	4.8L V8 F/I - US	33-2410	
X6	3.0L L6 DSL - 30dX	E-2657		750iL	4.8L V8 F/I - Non-US	33-2254*	
X6	3.0L L6 DSL - 35dX	33-2959		750Li	4.8L V8 F/I - US	33-2410	
X6	3.0L L6 F/I	33-2428	HP-7014	760i	6.0L V12 F/I - Non-US	33-2254*	
Z4	2.5L L6 F/I	33-2963		760Li	6.0L V12 F/I - Non-US	33-2254*	
Z4	3.0L L6 F/I	33-2372		F650GS	652	BM-6501	KN-151
Z4	3.0L L6 F/I - 23i, 30i	33-2963		F800GS	798		KN-164
Z4	3.0L L6 F/I - 35i	33-2367		F800S	798	BM-8006	KN-164
Z4	3.2L L6 F/I	33-2292		F800ST	798	BM-8006	KN-164
<b>2008 BMW</b>				G650 Xchallenge	652	BM-6507	KN-151
116i	1.6L L4 F/I	E-2021		G650 Xcountry	652	BM-6507	KN-151
118d	2.0L L4 DSL	33-2942 ♦		G650 Xmoto	652	BM-6507	KN-151
118i	2.0L L4 F/I	E-2021 ♦		HP2 Megamoto	1170	BM-1204	KN-164
120d	2.0L L4 DSL	33-2942 ♦		HP2 Sport	1170	BM-1208	KN-164
120i	2.0L L4 F/I	E-2021 ♦		K1200GT	1157	BM-1205	KN-164
123d	2.0L L4 DSL	33-2942		K1200LT	1170	BM-1299	KN-163
125i	3.0L L6 F/I	E-2022		K1200R	1200		KN-164
128i	3.0L L6 F/I	33-2332	HP-7014	K1200S	1157	BM-1205*	KN-164
130i	3.0L L6 F/I	E-2022		M3	4.0L V8 F/I - Non-US	E-2994	
135i	3.0L L6 F/I	33-2367	HP-7014	M3	4.0L V8 F/I - US	E-1994	
316i	1.6L L4 F/I - Exc. N45N Eng	RC-9350		M5	5.0L V10 F/I - Left Side Air Box	33-2352 ♦	
318D	2.0L L4 DSL	33-2942 ♦		M5	5.0L V10 F/I - Right Side Air Box	33-2350 ♦	
318i	1.6L L4 F/I - N45N Eng	E-2021		M6	5.0L V10 F/I - Left Side Air Box	33-2352 ♦	
318i	2.0L L4 F/I	E-2021 ♦		M6	5.0L V10 F/I - Right Side Air Box	33-2350 ♦	
320D	2.0L L4 DSL	33-2942 ♦		R1200 HP2 Sport	1200		KN-164
320i	2.0L L4 F/I	E-2021 ♦	HP-7007	R1200GS	1170	BM-1204	KN-164
320si	2.0L L4 F/I	E-2021 ♦	HP-7007	R1200GS Adventure	1170	BM-1204	KN-164
323i	2.5L L6 F/I - Non-US	E-2022		R1200GS HP2	1170		KN-164
325d	3.0L L6 DSL	E-2657		R1200R	1170	BM-1204	KN-164
325i	2.5L L6 F/I	E-2022	HP-7007	R1200RT	1170	BM-1204	KN-164
328i	3.0L L6 F/I	33-2332	HP-7014	R1200S	1170		KN-164
328xi	3.0L L6 F/I	33-2332	HP-7014	R1200ST	1170		KN-164
330i	3.0L L6 F/I - Non-US	E-2022	HP-7007	X3	3.0L L6 DSL - exc. SD	E-2657	
335d	3.0L L6 DSL	33-2942		X3	3.0L L6 DSL - SD	33-2946	
335i	3.0L L6 F/I	33-2367	HP-7014	X3	3.0L L6 F/I	33-2372	HP-7014
335xi	3.0L L6 F/I	33-2367	HP-7014	X3 Si	2.5L L6 F/I	33-2372	HP-7007
520d	2.0L L4 DSL	33-2943		X3 Si	3.0L L6 F/I	33-2372	HP-7014
520i	2.2L L6 F/I	33-2294		X5	3.0L L6 DSL - 30dX	E-2657	
523i	2.5L L6 F/I	33-2292		X5	3.0L L6 DSL - 35dX	33-2959	
525d	2.5L L6 DSL	E-2657		X5	3.0L L6 F/I	33-2406	HP-7014
525i	2.5L L6 F/I	33-2292	HP-7007	X5	4.8L V8 F/I	33-2407	
525i	3.0L L6 F/I	33-2292		X6	3.0L L6 DSL - 30dX	E-2657	
525xi	3.0L L6 F/I	33-2292		X6	3.0L L6 DSL - 35dX	33-2959	
528i	3.0L L6 F/I	33-2292	HP-7014	X6	3.0L L6 F/I	33-2428	HP-7014
528xi	3.0L L6 F/I	33-2292	HP-7014	Z4	2.0L L4 F/I	33-2372	HP-7007
530d	3.0L L6 DSL	E-2657					
530i	3.0L L6 F/I	33-2292					

\*Indicates 2 filters required

♦ - Intake kit available

Applications updated daily at [knfilters.com](http://knfilters.com) ®

# AIR & OIL FILTERS

# BMW

Vehicle	Engine Type	Air Filter	Oil Filter	Vehicle	Engine Type	Air Filter	Oil Filter
<b>2008 BMW</b>				<b>2007 BMW</b>			
Z4	2.5L L6 F/I	33-2372		750Li	4.8L V8 F/I - US	33-2410	
Z4	3.0L L6 F/I	33-2372	HP-7014	760i	6.0L V12 F/I	33-2254*	
Z4	3.2L L6 F/I	33-2292		760Li	6.0L V12 F/I - Non-US	33-2254*	
Z4	3.4L L6 F/I		HP-7007	760Li	6.0L V12 F/I - US	33-2410	
<b>2007 BMW</b>				<b>2006 BMW</b>			
116i	1.6L L4 F/I	E-2021 ♦		116i	1.6L L4 F/I	E-2021 ♦	
118d	2.0L L4 DSL - 143BHP, from 3/07	33-2942 ♦		118d	2.0L L4 DSL	E-2653	
118d	2.0L L4 DSL - to 2/07	E-2653 ♦		118i	2.0L L4 F/I	E-2021 ♦	
118i	2.0L L4 F/I	E-2021 ♦		120d	2.0L L4 DSL	E-2653	
120d	2.0L L4 DSL - 143BHP, from 3/07	33-2942 ♦		120i	2.0L L4 F/I	E-2021 ♦	
120d	2.0L L4 DSL - to 2/07	E-2653 ♦		123d	2.0L L4 DSL	33-2942	
120i	2.0L L4 F/I	E-2021 ♦		130i	3.0L L6 F/I	E-2022	
123d	2.0L L4 DSL	33-2942		135i	3.0L L6 F/I	33-2367	
130i	3.0L L6 F/I	E-2022		318D	2.0L L4 DSL - 122BHP, to 8/07	E-2653 ♦	
135i	3.0L L6 F/I	33-2367		318D	2.0L L4 DSL - 143BHP, from 9/07	33-2942 ♦	
318D	2.0L L4 DSL - 122BHP, to 8/07	E-2653 ♦		318i	2.0L L4 F/I	E-2021 ♦	
318D	2.0L L4 DSL - 143BHP, from 9/07	33-2942 ♦		320D	2.0L L4 DSL - 163BHP, to 8/07	E-2653 ♦	
318i	2.0L L4 F/I	E-2021 ♦		320D	2.0L L4 DSL - 177BHP, from 3/07	33-2942 ♦	
320D	2.0L L4 DSL - 163BHP, to 8/07	E-2653 ♦		320i	2.0L L4 F/I	E-2021 ♦	HP-7007
320D	2.0L L4 DSL - 177BHP, from 3/07	33-2942 ♦		320si	2.0L L4 F/I	E-2021 ♦	HP-7007
320i	2.0L L4 F/I	E-2021 ♦	HP-7007	323i	2.5L L6 F/I - Non-US	E-2022	
320si	2.0L L4 F/I	E-2021 ♦	HP-7007	325Ci	2.5L L6 F/I	33-2231	HP-7007
323i	2.5L L6 F/I - Non-US	E-2022		325d	3.0L L6 DSL	E-2657	
325Ci	2.5L L6 F/I	33-2231	HP-7007	325i	2.5L L6 F/I	E-2022	HP-7007
325d	3.0L L6 DSL	E-2657		328i	3.0L L6 F/I	33-2332	HP-7014
325i	2.5L L6 F/I	E-2022	HP-7007	328xi	3.0L L6 F/I	33-2332	HP-7014
328i	3.0L L6 F/I	33-2332	HP-7014	330D	3.0L L6 DSL	E-2657 ♦	
328xi	3.0L L6 F/I	33-2332	HP-7014	330i	3.0L L6 F/I	E-2022	HP-7007
330D	3.0L L6 DSL	E-2657 ♦		330Xd	3.0L L6 DSL	E-2657	
330i	3.0L L6 F/I	E-2022	HP-7007	335d	3.0L L6 DSL	33-2942	
330Xd	3.0L L6 DSL	E-2657		335i	3.0L L6 F/I	33-2367	HP-7014
335d	3.0L L6 DSL	33-2942		335xi	3.0L L6 F/I	33-2367	
335i	3.0L L6 F/I	33-2367	HP-7014	520d	2.0L L4 DSL - from 9/07	33-2943	
335xi	3.0L L6 F/I	33-2367		520d	2.0L L4 DSL - to 8/07	E-2653	
520d	2.0L L4 DSL - from 9/07	33-2943		520i	2.2L L6 F/I	33-2294	
520d	2.0L L4 DSL - to 8/07	E-2653		523i	2.5L L6 F/I	33-2292	
520i	2.2L L6 F/I	33-2294		525d	2.5L L6 DSL	E-2657	
523i	2.5L L6 F/I	33-2292		525i	2.5L L6 F/I	33-2292	HP-7007
525d	2.5L L6 DSL	E-2657		525i	3.0L L6 F/I	33-2292	HP-7014
525i	2.5L L6 F/I	33-2292	HP-7007	525xi	3.0L L6 F/I	33-2292	HP-7014
525i	3.0L L6 F/I	33-2292	HP-7014	530d	3.0L L6 DSL	E-2657	
525xi	3.0L L6 F/I	33-2292	HP-7014	530i	3.0L L6 F/I	33-2292	HP-7014
530d	3.0L L6 DSL	E-2657		530xi	3.0L L6 F/I	33-2292	HP-7014
530i	3.0L L6 F/I	33-2292	HP-7014	535d	3.0L L6 DSL	33-2943	
530xi	3.0L L6 F/I	33-2292	HP-7014	540i	4.0L V8 F/I	33-2294	
535d	3.0L L6 DSL	33-2943		550i	4.8L V8 F/I	33-2294	
540i	4.0L V8 F/I	33-2294		630i	3.0L L6 F/I	33-2292	
550i	4.8L V8 F/I	33-2294		635d	3.0L L6 DSL	33-2943	
630i	3.0L L6 F/I	33-2292		650i	4.8L V8 F/I	33-2294	
635d	3.0L L6 DSL	33-2943		730D	3.0L L6 DSL	E-2657	
650i	4.8L V8 F/I	33-2294		730i	3.0L L6 F/I	33-2254	
730D	3.0L L6 DSL	E-2657		740i	4.0L V8 F/I	33-2254*	
730i	3.0L L6 F/I	33-2254		740iL	4.0L V8 F/I	33-2254*	
740i	4.0L V8 F/I	33-2254*		745d	4.4L V8 DSL	33-2254*	
740iL	4.0L V8 F/I	33-2254*		750i	4.8L V8 F/I - Non-US	33-2254*	
745d	4.4L V8 DSL	33-2254*		750i	4.8L V8 F/I - US	33-2410	
750i	4.8L V8 F/I - Non-US	33-2254*		750iL	4.8L V8 F/I - Non-US	33-2254*	
750i	4.8L V8 F/I - US	33-2410					
750iL	4.8L V8 F/I - Non-US	33-2254*					

\*Indicates 2 filters required      ♦ - Intake kit available      Applications updated daily at [knfilters.com](http://knfilters.com) ®

**Partial Listing - Complete List of Vehicles and Applications at [knfilters.com](http://knfilters.com)**

# BMW

# AIR & OIL FILTERS

Vehicle	Engine Type	Air Filter	Oil Filter	Vehicle	Engine Type	Air Filter	Oil Filter
<b>2006 BMW</b>				<b>2006 BMW</b>			
325d	3.0L L6 DSL	E-2657		R1200GS HP2	1170		KN-164
325i	3.0L L6 F/I		HP-7014	R1200RT	1170	BM-1204	KN-164
325i	3.0L L6 F/I - Non-US	E-2022	HP-7014	R1200S	1170	BM-1204	KN-164
325i	3.0L L6 F/I - US	33-2332	HP-7014	R1200ST	1170	BM-1204	KN-164
325Xi	3.0L L6 F/I	33-2332	HP-7014	X3	2.0L L4 DSL	E-2653	
330Ci	3.0L L6 F/I	33-2231	HP-7014	X3	2.0L L6 F/I	33-2372	
330D	3.0L L6 DSL	E-2657 ♦		X3	2.5L L6 F/I		HP-7007
330i	3.0L L6 F/I		HP-7014	X3	2.5L L6 F/I - Non-US, to 8/06	33-2070	HP-7007
330i	3.0L L6 F/I - Non-US	E-2022	HP-7014	X3	3.0L L6 DSL - exc. SD	E-2657	
330i	3.0L L6 F/I - US	33-2332	HP-7014	X3	3.0L L6 DSL - SD	33-2946	
330Xd	3.0L L6 DSL	E-2657		X3	3.0L L6 F/I	33-2231	HP-7007
330Xi	3.0L L6 F/I		HP-7014	X3	2.5L L6 F/I		HP-7007
330Xi	3.0L L6 F/I - Non-US	E-2022	HP-7014	X3 Si	2.5L L6 F/I - Non-US, from 8/06	33-2372	HP-7007
330Xi	3.0L L6 F/I - US	33-2332	HP-7014	X3 Si	3.0L L6 F/I		HP-7007
335d	3.0L L6 DSL	33-2942		X3 Si	3.0L L6 F/I - Non-US, from 9/06	33-2372	HP-7007
335i	3.0L L6 F/I	33-2367		X3 Si	3.0L L6 DSL	E-2657	
520d	2.0L L4 DSL	E-2653		X5	3.0L L6 F/I	33-2255	HP-7007
523i	2.5L L6 F/I	33-2292		X5	4.4L V8 F/I	33-2149	
525d	2.5L L6 DSL	E-2657		X5	4.4L V8 F/I - exc. E53	33-2149	HP-7006
525i	2.5L L6 F/I	33-2292	HP-7007	X5	4.8L V8 F/I	33-2149	
525i	3.0L L6 F/I	33-2292	HP-7007	X5	2.0L L4 F/I	33-2372	HP-7007
525xi	3.0L L6 F/I	33-2292	HP-7014	Z4	2.2L L6 F/I	33-2070 ♦	HP-7007
530d	3.0L L6 DSL	E-2657		Z4	2.5L L6 F/I		HP-7007
530i	3.0L L6 F/I	33-2292	HP-7007	Z4	2.5L L6 F/I - Non-US	33-2372	HP-7007
530xi	3.0L L6 F/I	33-2292	HP-7014	Z4	2.5L L6 F/I - US	33-2070	HP-7007
535d	3.0L L6 DSL	33-2943		Z4	3.0L L6 F/I	33-2372	HP-7007
540i	4.0L V8 F/I	33-2294		Z4	3.2L L6 F/I - Non-US	33-2292	
550i	4.8L V8 F/I	33-2294		<b>2005 BMW</b>			
630i	3.0L L6 F/I	33-2292		116i	1.6L L4 F/I	E-2021 ♦	
650i	4.8L V8 F/I	33-2294		118d	2.0L L4 DSL	E-2653	
730D	3.0L L6 DSL	E-2657		118i	2.0L L4 F/I	E-2021 ♦	
730i	3.0L L6 F/I	33-2254		120d	2.0L L4 DSL	E-2653	
740i	4.0L V8 F/I	33-2254*		120i	2.0L L4 F/I	E-2021 ♦	
740iL	4.0L V8 F/I	33-2254*		130i	3.0L L6 F/I	E-2022	
745d	4.4L V8 DSL	33-2254*		316Ci	1.6L L4 F/I - 115BHP	E-2232 ♦	
750i	4.8L V8 F/I	33-2254*		316i	1.6L L4 F/I - 115BHP	E-2232 ♦	
750iL	4.8L V8 F/I	33-2254*		316i	1.8L L4 F/I	E-2232 ♦	
750Li	4.8L V8 F/I	33-2254*		316Ti	1.8L L4 F/I	E-2232 ♦	
760i	6.0L V12 F/I	33-2254*		318Ci	2.0L L4 F/I - 143BHP	E-2232	
760Li	6.0L V12 F/I	33-2254*		318D	2.0L L4 DSL	E-2653 ♦	
F650CS	650		KN-151	318i	2.0L L4 F/I - 129BHP	E-2021 ♦	
F650GS	652	BM-6501	KN-151	318i	2.0L L4 F/I - 143BHP	E-2232 ♦	
F650GS Dakar	652	BM-6501	KN-151	318td	2.0L L4 DSL	E-2653	
F800S	798	BM-8006	KN-164	318ti	2.0L L4 F/I	E-2232	
F800ST	798	BM-8006	KN-164	320Cd	2.0L L4 DSL	E-2653	
HP2 Enduro	1170	BM-1204	KN-164	320Ci	2.0L L6 F/I		HP-7007
K1200GT	1157	BM-1205	KN-164	320Ci	2.0L L6 F/I - E46	33-2231	HP-7007
K1200LT	1170	BM-1299	KN-163	320Ci	2.2L L6 F/I	33-2231 ♦	HP-7007
K1200R	1200	BM-1205	KN-164	320D	2.0L L4 DSL	E-2653 ♦	
K1200S	1157	BM-1205*	KN-164	320i	2.0L L4 F/I	E-2021 ♦	HP-7007
M3	3.2L L6 F/I	33-2231		320i	2.2L L6 F/I	33-2231 ♦	HP-7007
M5	5.0L V10 F/I - Left Side Air Box	33-2352 ♦		320td	2.0L L4 DSL	E-2653	
M5	5.0L V10 F/I - Right Side Air Box	33-2350 ♦		325Ci	2.5L L6 F/I	33-2231 ♦	HP-7007
M6	5.0L V10 F/I - Left Side Air Box	33-2352 ♦		325i	2.5L L6 F/I		HP-7007
M6	5.0L V10 F/I - Right Side Air Box	33-2350 ♦		325i	2.5L L6 F/I - 192BHP	33-2231 ♦	HP-7007
R850R	850	BM-0400	KN-163	325i	2.5L L6 F/I - 218BHP	E-2022 ♦	HP-7007
R1150R	1150	BM-0400	KN-163	325i	2.5L L6 F/I - US	33-2231 ♦	HP-7007
R1150R Rockster	1150	BM-0400	KN-163	325Ti	2.5L L6 F/I	33-2231 ♦	HP-7007
R1200CL	1200	BM-1298	KN-163	325Xi	2.5L L6 F/I	33-2231 ♦	HP-7007
R1200GS	1170	BM-1204	KN-164	330Cd	3.0L L6 DSL	E-2657	
R1200GS Adventure	1170	BM-1204	KN-164	330Ci	3.0L L6 F/I		HP-7007
				330Ci	3.0L L6 F/I - Non-US	E-2022 ♦	HP-7007

\*Indicates 2 filters required    ♦ - Intake kit available    Applications updated daily at [knfilters.com](http://knfilters.com) ®



# AIR & OIL FILTERS

# BMW

Vehicle	Engine Type	Air Filter	Oil Filter	Vehicle	Engine Type	Air Filter	Oil Filter
<b>2005 BMW</b>				<b>2005 BMW</b>			
330Ci	3.0L L6 F/I - US	33-2231 ♦	HP-7007	R1150R	1150	BM-0400	KN-163
330D	3.0L L6 DSL	E-2657		R1150R Rockster	1150	BM-0400	KN-163
330i	3.0L L6 F/I		HP-7007	R1150RS	1150	BM-0400	KN-163
330i	3.0L L6 F/I - Non-US	E-2022 ♦	HP-7007	R1150RT	1150	BM-0400	KN-163
330i	3.0L L6 F/I - US	33-2231 ♦	HP-7007	R1200C Classic	1200		KN-163
330Xd	3.0L L6 DSL	E-2657		R1200C Montauk	1200		KN-163
330Xi	3.0L L6 F/I		HP-7007	R1200CL	1200	BM-1298	KN-163
330Xi	3.0L L6 F/I - Non-US	E-2022 ♦	HP-7007	R1200GS	1170	BM-1204	KN-164
330Xi	3.0L L6 F/I - US	33-2231 ♦	HP-7007	R1200GS HP2	1170		KN-164
335d	3.0L L6 DSL	33-2942		R1200RT	1170	BM-1204	KN-164
520d	2.0L L4 DSL	E-2653		R1200ST	1170	BM-1204	KN-164
520i	2.2L L6 F/I	33-2292	HP-7007	X3	2.0L L4 DSL	E-2653	
523i	2.5L L6 F/I	33-2292		X3	2.0L L6 F/I	33-2372	
525d	2.5L L6 DSL	E-2657		X3	2.5L L6 F/I		HP-7007
525i	2.5L L6 F/I	33-2292	HP-7007	X3	2.5L L6 F/I - Non-US	33-2070	HP-7007
525xi	3.0L L6 F/I	33-2292		X3	2.5L L6 F/I - US	33-2231	HP-7007
530d	3.0L L6 DSL	E-2657		X3	3.0L L6 DSL	E-2657	
530i	3.0L L6 F/I	33-2292	HP-7007	X3	3.0L L6 F/I	33-2231	HP-7007
530xi	3.0L L6 F/I	33-2292		X5	3.0L L6 DSL	E-2657	
535d	3.0L L6 DSL	33-2943		X5	3.0L L6 F/I	33-2255	HP-7007
540i	4.0L V8 F/I	33-2294		X5	4.4L V8 F/I	33-2149	
545i	4.4L V8 F/I	33-2294		X5	4.8L V8 F/I	33-2149	
550i	4.8L V8 F/I	33-2294		Z4	2.0L L4 F/I	33-2372	HP-7007
630i	3.0L L6 F/I	33-2292		Z4	2.2L L6 F/I	33-2070 ♦	HP-7007
645Ci	4.4L V8 F/I	33-2294		Z4	2.5L L6 F/I	33-2070	HP-7007
650i	4.8L V8 F/I	33-2294		Z4	3.0L L6 F/I	33-2070	HP-7007
730D	3.0L L6 DSL	E-2657		<b>2004 BMW</b>			
730i	3.0L L6 F/I	33-2254	HP-7007	116i	1.6L L4 F/I	E-2021 ♦	
735i	4.0L V8 F/I	33-2254		118d	2.0L L4 DSL	E-2653	
735iL	4.0L V8 F/I	33-2254		118i	2.0L L4 F/I	E-2021 ♦	
740d	3.9L V8 DSL	33-2254	HP-7007	120d	2.0L L4 DSL	E-2653	
740i	4.0L V8 F/I	33-2254*		120i	2.0L L4 F/I	E-2021 ♦	
740iL	4.0L V8 F/I	33-2254*		316Ci	1.6L L4 F/I - 115BHP	E-2232 ♦	
745d	4.4L V8 DSL	33-2254*		316i	1.6L L4 F/I - 115BHP	E-2232 ♦	
745i	4.4L V8 F/I	33-2254		316i	1.8L L4 F/I	E-2232 ♦	
745Li	4.4L V8 F/I	33-2254		316Ti	1.8L L4 F/I	E-2232 ♦	
750i	4.8L V8 F/I	33-2254*		318Ci	2.0L L4 F/I	E-2232	
750iL	4.8L V8 F/I	33-2254*		318D	2.0L L4 DSL	E-2653	
760i	6.0L V12 F/I	33-2254*		318i	2.0L L4 F/I	E-2232	
760Li	6.0L V12 F/I	33-2254*		318td	2.0L L4 DSL	E-2653	
F650CS	650		KN-151	318ti	2.0L L4 F/I	E-2232	
F650GS	652	BM-6501	KN-151	320Cd	2.0L L4 DSL	E-2653	
F650GS Dakar	652	BM-6501	KN-151	320Ci	2.0L L6 F/I		HP-7007
K1200GT	1157	BM-1299	KN-163	320Ci	2.0L L6 F/I - E46	33-2231	HP-7007
K1200LT	1170	BM-1299	KN-163	320Ci	2.2L L6 F/I	33-2231 ♦	HP-7007
K1200LT SE	1200		KN-164	320Ci	2.5L L6 F/I		HP-7007
K1200R	1200	BM-1205	KN-164	320D	2.0L L4 DSL	E-2653	
K1200RS	1200	BM-1299	KN-163	320i	2.2L L6 F/I	33-2231 ♦	HP-7007
K1200RS SE	1200		KN-164	320i	2.5L L6 F/I		HP-7007
K1200S	1157	BM-1205*	KN-164	320td	2.0L L4 DSL	E-2653	
M3	3.2L L6 F/I	33-2231 ♦		325Ci	2.5L L6 F/I	33-2231 ♦	HP-7007
M5	5.0L V10 F/I - Left Side Air Box	33-2352 ♦		325i	2.5L L6 F/I	33-2231 ♦	HP-7007
M5	5.0L V10 F/I - Right Side Air Box	33-2350 ♦		325Ti	2.5L L6 F/I	33-2231 ♦	HP-7007
M6	5.0L V10 F/I - Left Side Air Box	33-2352 ♦		325Xi	2.5L L6 F/I	33-2231 ♦	HP-7007
M6	5.0L V10 F/I - Right Side Air Box	33-2350 ♦		330Cd	3.0L L6 DSL	E-2657	
R850R	850		KN-163	330Ci	3.0L L6 F/I	33-2231 ♦	HP-7007
R900RT	900	BM-1204	KN-164	330D	3.0L L6 DSL	E-2657	
R1100S	1100	BM-1199	KN-163	330i	3.0L L6 F/I	33-2231 ♦	HP-7007
R1100S Replika	1100	BM-1199	KN-163	330Xd	3.0L L6 DSL	E-2657	
R1150GS	1150		KN-163	330Xi	3.0L L6 F/I	33-2231 ♦	HP-7007
R1150GS Adventure	1150	BM-0400	KN-163	520d	2.0L L4 DSL	E-2657	
				520i	2.0L L6 F/I	33-2070	
				520i	2.2L L6 F/I		HP-7007

\*Indicates 2 filters required    ♦ - Intake kit available    Applications updated daily at [knfilters.com](http://knfilters.com) ®

**Partial Listing - Complete List of Vehicles and Applications at [knfilters.com](http://knfilters.com)**

Vehicle	Engine Type	Air Filter	Oil Filter	Vehicle	Engine Type	Air Filter	Oil Filter
<b>2004 BMW</b>				<b>2004 BMW</b>			
520i	2.2L L6 F/I - E39	33-2070	HP-7007	X5	3.0L L6 F/I	33-2255	HP-7007
520i	2.2L L6 F/I - E60, E61	33-2292	HP-7007	X5	4.4L V8 F/I	33-2149	
525d	2.5L L6 DSL	E-2657		X5	4.6L V8 F/I		HP-7006
525i	2.5L L6 F/I		HP-7007	X5	4.8L V8 F/I	33-2149	
525i	2.5L L6 F/I - E39	33-2070 ♦	HP-7007	Z4	2.2L L6 F/I	33-2070 ♦	HP-7007
525i	2.5L L6 F/I - E60, E61	33-2292 ♦	HP-7007	Z4	2.5L L6 F/I	33-2070	HP-7007
525i	2.5L L6 F/I - US	33-2292	HP-7007	Z4	3.0L L6 F/I	33-2070	HP-7007
530d	3.0L L6 DSL	E-2657		<b>2003 BMW</b>			
530i	3.0L L6 F/I		HP-7007	316Ci	1.6L L4 F/I - 115BHP	E-2232 ♦	
530i	3.0L L6 F/I - E39	33-2070	HP-7007	316i	1.6L L4 F/I - 115BHP	E-2232 ♦	
530i	3.0L L6 F/I - E60, E61	33-2292	HP-7007	316i	1.8L L4 F/I	E-2232 ♦	
530i	3.0L L6 F/I - US	33-2292	HP-7007	316Ti	1.8L L4 F/I	E-2232 ♦	
535d	3.0L L6 DSL	33-2943		318Ci	2.0L L4 F/I	E-2232	
540i	4.4L V8 F/I	33-2142	HP-7006	318D	2.0L L4 DSL	E-2653	
545i	4.4L V8 F/I	33-2294		318i	2.0L L4 F/I	E-2232	
630i	3.0L L6 F/I	33-2292		318td	2.0L L4 DSL	E-2653	
645Ci	4.4L V8 F/I	33-2294		318ti	2.0L L4 F/I	E-2232	
730D	3.0L L6 DSL	E-2657		320Cd	2.0L L4 DSL	E-2653	
730i	3.0L L6 F/I	33-2254	HP-7007	320Ci	2.0L L6 F/I		HP-7007
730Li	3.0L L6 F/I	33-2254		320Ci	2.0L L6 F/I - E46	33-2231	HP-7007
735i	3.6L V8 F/I	33-2254		320Ci	2.2L L6 F/I	33-2231 ♦	HP-7007
735iL	3.6L V8 F/I	33-2254		320Ci	2.5L L6 F/I		HP-7007
735Li	3.6L V8 F/I	33-2254		320D	2.0L L4 DSL	E-2653	
740d	3.9L V8 DSL	33-2254	HP-7007	320i	2.2L L6 F/I	33-2231 ♦	HP-7007
745i	4.4L V8 F/I	33-2254		320i	2.5L L6 F/I		HP-7007
745Li	4.4L V8 F/I	33-2254		320td	2.0L L4 DSL	E-2653	
760i	6.0L V12 F/I	33-2254*		325Ci	2.5L L6 F/I	33-2231 ♦	HP-7007
760Li	6.0L V12 F/I	33-2254*		325i	2.5L L6 F/I	33-2231 ♦	HP-7007
F650CS	650		KN-151	325Ti	2.5L L6 F/I	33-2231 ♦	HP-7007
F650GS	652	BM-6501	KN-151	325Xi	2.5L L6 F/I	33-2231 ♦	HP-7007
F650GS Dakar	652	BM-6501	KN-151	330Cd	3.0L L6 DSL	E-2657	
K1200GT	1157	BM-1299	KN-163	330Ci	3.0L L6 F/I	33-2231 ♦	HP-7007
K1200LT	1170	BM-1299	KN-163	330D	3.0L L6 DSL	E-2657	
K1200RS	1200	BM-1299	KN-163	330i	3.0L L6 F/I	33-2231 ♦	HP-7007
K1200RS SE	1200		KN-163	330Xd	3.0L L6 DSL	E-2657	
M3	3.2L L6 F/I	33-2231 ♦		330Xi	3.0L L6 F/I	33-2231 ♦	HP-7007
M5	5.0L V8 F/I	33-2142*	HP-7006	520d	2.0L L4 DSL	E-2657	
R850R	850		KN-163	520i	2.0L L6 F/I		HP-7007
R850R Classic	850		KN-163	520i	2.0L L6 F/I - E39	33-2070 ♦	HP-7007
R1100S	1100	BM-1199	KN-163	520i	2.0L L6 F/I - E60, E61	33-2292 ♦	HP-7007
R1100S Prep	1100		KN-163	520i	2.2L L6 F/I		HP-7007
R1100S Replika	1100	BM-1199	KN-163	520i	2.2L L6 F/I - E39	33-2070 ♦	HP-7007
R1150GS	1150		KN-163	520i	2.2L L6 F/I - E60, E61	33-2292 ♦	HP-7007
R1150GS Adventure	1150	BM-0400	KN-163	525d	2.5L L6 DSL	E-2657	
R1150R	1150	BM-0400	KN-163	525i	2.5L L6 F/I		HP-7007
R1150R Rockster	1150	BM-0400	KN-163	525i	2.5L L6 F/I - E39	33-2070 ♦	HP-7007
R1150R Rockster Edition 80	1150		KN-163	525i	2.5L L6 F/I - E60, E61	33-2292 ♦	HP-7007
R1150RS	1150	BM-0400	KN-163	525i	2.5L L6 F/I - US	33-2070	HP-7007
R1150RT	1150	BM-0400	KN-163	530d	3.0L L6 DSL	E-2657	
R1200C	1200	BM-1298	KN-163	530i	3.0L L6 F/I		HP-7007
R1200C Classic	1200		KN-163	530i	3.0L L6 F/I - E39	33-2070	HP-7007
R1200C Independent	1200		KN-163	530i	3.0L L6 F/I - E60	33-2292	HP-7007
R1200C Montauk	1200	BM-1298	KN-163	530i	3.0L L6 F/I - US	33-2070	HP-7007
R1200C Phoenix	1200		KN-163	535i	3.5L L6 F/I	33-2142	HP-7006
R1200CL	1200	BM-1298	KN-163	540i	4.4L V8 F/I	33-2142	HP-7006
R1200GS	1170	BM-1204	KN-164	545i	4.4L V8 F/I	33-2294	
X3	2.0L L4 DSL	E-2653		730D	3.0L L6 DSL	E-2657	
X3	2.5L L6 F/I		HP-7007	730i	3.0L L6 F/I	33-2254	HP-7007
X3	2.5L L6 F/I - Non-US	33-2070	HP-7007	730Li	3.0L L6 F/I	33-2254	
X3	2.5L L6 F/I - US	33-2231	HP-7007	735i	3.6L V8 F/I	33-2254	
X3	3.0L L6 DSL	E-2657		735iL	3.6L V8 F/I	33-2254	
X3	3.0L L6 F/I	33-2231	HP-7007	735Li	3.6L V8 F/I	33-2254	
X5	3.0L L6 DSL	E-2657		740d	3.9L V8 DSL	33-2254	HP-7007

\*Indicates 2 filters required

♦ - Intake kit available

Applications updated daily at [knfilters.com](http://knfilters.com) ®

# AIR & OIL FILTERS

# BMW

Vehicle	Engine Type	Air Filter	Oil Filter	Vehicle	Engine Type	Air Filter	Oil Filter
<b>2003 BMW</b>				<b>2002 BMW</b>			
745i	4.4L V8 F/I	33-2254		320i	2.2L L6 F/I	33-2231 ♦	HP-7007
745Li	4.4L V8 F/I	33-2254		320i	2.5L L6 F/I		HP-7007
760i	6.0L V12 F/I	33-2254*		320td	2.0L L4 DSL	E-2653	
760Li	6.0L V12 F/I	33-2254*		325Ci	2.5L L6 F/I	33-2231 ♦	HP-7007
C1 125	125		KN-185	325i	2.5L L6 F/I	33-2231 ♦	HP-7007
C1 200	200		KN-185	325Ti	2.5L L6 F/I	33-2231 ♦	HP-7007
F650CS	650		KN-151	325Xi	2.5L L6 F/I	33-2231 ♦	HP-7007
F650GS	650	BM-6501	KN-151	330Ci	3.0L L6 F/I	33-2231 ♦	HP-7007
F650GS Dakar	650	BM-6501	KN-151	330D	3.0L L6 DSL	E-2657	
K1200GT	1200	BM-1299	KN-163	330i	3.0L L6 F/I	33-2231 ♦	HP-7007
K1200LT	1200	BM-1299	KN-163	330Xd	3.0L L6 DSL	E-2657	
K1200RS	1200	BM-1299	KN-163	330Xi	3.0L L6 F/I	33-2231 ♦	HP-7007
K1200RS SE	1200		KN-163	520d	2.0L L4 DSL	E-2657	
M3	3.2L L6 F/I	33-2231 ♦		520i	2.0L L6 F/I	33-2070 ♦	HP-7007
M5	5.0L V8 F/I	33-2142*	HP-7006	520i	2.2L L6 F/I	33-2070 ♦	HP-7007
R850R	832	BM-0400	KN-163	525d	2.5L L6 DSL	E-2657	
R850R Classic	850		KN-163	525i	2.5L L6 F/I	33-2070 ♦	HP-7007
R1100S	1100	BM-1199	KN-163	530d	3.0L L6 DSL	E-2657	
R1100S Replika	1100		KN-163	530i	3.0L L6 F/I	33-2070	HP-7007
R1150GS	1150	BM-0400	KN-163	535i	3.5L L6 F/I	33-2142	HP-7006
R1150GS Adventure	1150	BM-0400	KN-163	540i	4.4L V8 F/I	33-2142	HP-7006
R1150R	1150	BM-0400	KN-163	730D	3.0L L6 DSL	E-2657	
R1150RS	1150	BM-0400	KN-163	735i	3.6L V8 F/I	33-2254	
R1150RT	1150	BM-0400	KN-163	735iL	3.6L V8 F/I	33-2254	
R1200C	1170	BM-1298	KN-163	735Li	3.6L V8 F/I	33-2254	
R1200C Avantgarde	1200		KN-163	740d	3.9L V8 DSL	33-2254	HP-7007
R1200C Classic	1200	BM-1298	KN-163	745i	4.4L V8 F/I	33-2254	
R1200C Independent	1200	BM-1298	KN-163	745Li	4.4L V8 F/I	33-2254	
R1200C Montauk	1200	BM-1298	KN-163	C1 125	125		KN-185
R1200CL	1200	BM-1298	KN-163	C1 200	200		KN-185
X5	3.0L L6 DSL	E-2657		F650CS	650		KN-151
X5	3.0L L6 F/I	33-2255	HP-7007	F650GS	650	BM-6501	KN-151
X5	4.4L V8 F/I	33-2149	HP-7006	F650GS Dakar	650	BM-6501	KN-151
X5	4.6L V8 F/I	33-2149	HP-7006	K1200C	1200	BM-1299	
X5	4.8L V8 F/I	33-2149		K1200GT	1200	BM-1299	KN-163
Z3	1.9L L4 F/I	33-2733 ♦		K1200LT	1200	BM-1299	KN-163
Z3	2.0L L6 F/I	33-2070		K1200LT ABS	1200	BM-1299	KN-163
Z3	2.2L L6 F/I	33-2070 ♦	HP-7007	K1200LT Lux	1200		KN-163
Z3	3.0L L6 F/I	33-2070 ♦	HP-7007	K1200LT SE	1200	BM-1299	KN-163
Z3	3.2L L6 F/I	33-2070		K1200RS	1200	BM-1299	KN-163
Z4	2.2L L6 F/I	33-2070 ♦	HP-7007	K1200RS SE	1200		KN-163
Z4	2.5L L6 F/I	33-2070	HP-7007	M3	3.2L L6 F/I	33-2231 ♦	
Z4	3.0L L6 F/I	33-2070	HP-7007	M5	5.0L V8 F/I	33-2142*	HP-7006
Z8	4.8L V8 F/I	33-2204	HP-7006	R850C	850		KN-163
Z8	4.9L V8 F/I	33-2204*	HP-7006	R850R	832	BM-0400	KN-163
Z8	5.0L V8 F/I	33-2204	HP-7006	R850R Classic	850		KN-163
<b>2002 BMW</b>				R1100S	1100	BM-1199	KN-163
316Ci	1.6L L4 F/I - 105BHP	33-2231 ♦		R1100S Sport	1100		KN-163
316Ci	1.6L L4 F/I - 115BHP	E-2232 ♦		R1150GS	1150	BM-0400	KN-163
316i	1.6L L4 F/I - 105BHP	33-2231 ♦		R1150GS Adventure	1150	BM-0400	KN-163
316i	1.6L L4 F/I - 115BHP	E-2232 ♦		R1150R	1150	BM-0400	KN-163
316i	1.8L L4 F/I	E-2232 ♦		R1150RS	1150	BM-0400	KN-163
316i	1.9L L4 F/I	33-2231 ♦		R1150RS SE	1150		KN-163
316Ti	1.8L L4 F/I	E-2232 ♦		R1150RT	1150	BM-0400	KN-163
318Ci	2.0L L4 F/I	E-2232		R1200C	1170	BM-1298	KN-163
318D	2.0L L4 DSL	E-2653		R1200C Avantgarde	1200	BM-1298	KN-163
318i	2.0L L4 F/I	E-2232		R1200C Classic	1200	BM-1298	KN-163
318ti	2.0L L4 F/I	E-2232		R1200C Independent	1200	BM-1298	KN-163
320Ci	2.0L L6 F/I		HP-7007	X5	3.0L L6 DSL	E-2657	
320Ci	2.0L L6 F/I - E46	33-2231	HP-7007	X5	3.0L L6 F/I	33-2255	HP-7007
320Ci	2.2L L6 F/I	33-2231 ♦	HP-7007	X5	4.4L V8 F/I	33-2149	HP-7006
320Ci	2.5L L6 F/I		HP-7007	X5	4.6L V8 F/I	33-2149	HP-7006
320D	2.0L L4 DSL	E-2653		Z3	1.9L L4 F/I	33-2733 ♦	
				Z3	2.0L L6 F/I	33-2070	

\*Indicates 2 filters required

♦ - Intake kit available

Applications updated daily at [knfilters.com](http://knfilters.com) ®

**Partial Listing - Complete List of Vehicles and Applications at [knfilters.com](http://knfilters.com)**

# BMW

# AIR & OIL FILTERS

Vehicle	Engine Type	Air Filter	Oil Filter	Vehicle	Engine Type	Air Filter	Oil Filter
<b>2002 BMW</b>				<b>2001 BMW</b>			
Z3	2.2L L6 F/I	33-2070 ♦	HP-7007	740iL	4.4L V8 F/I - US	33-2142	HP-7006
Z3	2.5L L6 F/I	33-2070	HP-7007	745i	4.4L V8 F/I	33-2254	
Z3	3.0L L6 F/I	33-2070 ♦	HP-7007	750i	5.4L V12 F/I	33-2752*	HP-7006
Z3	3.2L L6 F/I	33-2070		750iL	5.4L V12 F/I	33-2752*	HP-7006
Z8	4.9L V8 F/I	33-2204*	HP-7006	C1 125	125		KN-185
Z8	5.0L V8 F/I	33-2149	HP-7006	F650GS	650	BM-6501	KN-151
<b>2001 BMW</b>				<b>2000 BMW</b>			
316Ci	1.6L L4 F/I	33-2231 ♦		F650GS Dakar	650	BM-6501	KN-151
316i	1.6L L4 F/I	33-2231 ♦		K1200LT ABS	1200	BM-1299	KN-163
316i	1.9L L4 F/I	33-2231 ♦		K1200RS	1200	BM-1299	KN-163
316Ti	1.8L L4 F/I	E-2232 ♦		M3	3.2L L6 F/I	33-2231 ♦	
318Ci	1.9L L4 F/I	33-2231 ♦		M5	5.0L V8 F/I	33-2142*	HP-7006
318Ci	2.0L L4 F/I	E-2232		R850C	850		KN-163
318D	2.0L L4 DSL	E-2653		R850C Avantgarde	850		KN-163
318i	1.9L L4 F/I	33-2231 ♦		R850C Boxer	850		KN-163
318i	2.0L L4 F/I	E-2232		R850C Classic	850		KN-163
318ti	2.0L L4 F/I	E-2232		R850R	832	BM-0400	KN-163
320Ci	2.0L L6 F/I		HP-7007	R1100R	1100	BM-0400	KN-163
320Ci	2.0L L6 F/I - E46	33-2231	HP-7007	R1100RS ABS	1100	BM-0400	KN-163
320Ci	2.2L L6 F/I	33-2231 ♦	HP-7007	R1100RT ABS	1100	BM-0400	KN-163
320Ci	2.5L L6 F/I		HP-7007	R1100S	1100	BM-1199	KN-163
320D	2.0L L4 DSL	E-2653		R1150GS	1150	BM-0400	KN-163
320i	2.2L L6 F/I	33-2231 ♦	HP-7007	R1150R	1150	BM-0400	KN-163
320i	2.5L L6 F/I		HP-7007	R1150RT	1150	BM-0400	KN-163
320td	2.0L L4 DSL	E-2653		R1200C	1170	BM-1298	KN-163
325Ci	2.5L L6 F/I	33-2231 ♦	HP-7007	R1200C Avantgarde	1200	BM-1298	KN-163
325i	2.5L L6 F/I	33-2231 ♦	HP-7007	R1200C Classic	1200	BM-1298	KN-163
325Ti	2.5L L6 F/I	33-2231 ♦	HP-7007	R1200C Crusier	1170	BM-1298	KN-163
325Xi	2.5L L6 F/I	33-2231 ♦	HP-7007	R1200C Independent	1200	BM-1298	KN-163
330Ci	3.0L L6 F/I	33-2231 ♦	HP-7007	R1200C Phoenix	1200	BM-1298	KN-163
330D	3.0L L6 DSL	E-2657		X5	3.0L L6 DSL	E-2657	
330i	3.0L L6 F/I	33-2231 ♦	HP-7007	X5	3.0L L6 F/I	33-2255	HP-7007
330Xd	3.0L L6 DSL	E-2657		X5	4.4L V8 F/I	33-2149	HP-7006
330Xi	3.0L L6 F/I	33-2231 ♦	HP-7007	X5	4.6L V8 F/I	33-2149	HP-7006
520d	2.0L L4 DSL	E-2657		Z3	1.9L L4 F/I	33-2733 ♦	
520i	2.0L L6 F/I	33-2070 ♦	HP-7007	Z3	2.0L L6 F/I	33-2070	
520i	2.2L L6 F/I	33-2070 ♦	HP-7007	Z3	2.2L L6 F/I	33-2070 ♦	HP-7007
525d	2.5L L6 DSL	E-2657		Z3	2.5L L6 F/I	33-2070	HP-7007
525i	2.5L L6 F/I	33-2070 ♦	HP-7007	Z3	3.0L L6 F/I	33-2070 ♦	HP-7007
530d	3.0L L6 DSL	E-2657		Z3	3.2L L6 F/I	33-2070 ♦	
530i	3.0L L6 F/I	33-2070	HP-7007	Z8	4.9L V8 F/I	33-2204*	HP-7006
535i	3.5L L6 F/I	33-2142	HP-7006	Z8	5.0L V8 F/I	33-2204*	HP-7006
540i	4.4L V8 F/I	33-2142	HP-7006	<b>2000 BMW</b>			
725tds	2.5L L6 DSL	33-2706		316Ci	1.6L L4 F/I	33-2231 ♦	
728i	2.8L L6 F/I	33-2070	HP-7007	316i	1.6L L4 F/I - E36	33-2733 ♦	
728iL	2.8L L6 F/I	33-2070		316i	1.6L L4 F/I - E46	33-2231 ♦	
730D	3.0L L6 DSL	E-2657		316i	1.9L L4 F/I	33-2231 ♦	
730i	4.0L V8 F/I	33-2675		318Ci	1.9L L4 F/I	33-2231 ♦	
730iL	4.0L V8 F/I	33-2675		318D	2.0L L4 DSL	E-2653	
735i	3.5L L6 F/I	33-2675	HP-7006	318i	1.9L L4 F/I	33-2231 ♦	
735i	3.6L V8 F/I	33-2254	HP-7006	318tds	1.8L L4 DSL	33-2745	
735iL	3.5L L6 F/I	33-2675	HP-7006	318ti	1.9L L4 F/I	33-2733 ♦	
735iL	3.6L V8 F/I	33-2254	HP-7006	320Ci	2.0L L6 F/I		HP-7007
740d	3.9L V8 DSL	33-2254	HP-7007	320Ci	2.0L L6 F/I - E46	33-2231	HP-7007
740i	4.0L V8 F/I		HP-7006	320D	2.2L L6 F/I	33-2231 ♦	HP-7007
740i	4.0L V8 F/I - Non-US	33-2675	HP-7006	320D	2.0L L4 DSL	E-2653	
740i	4.4L V8 F/I		HP-7006	320i	2.0L L6 F/I	33-2231 ♦	HP-7007
740i	4.4L V8 F/I - Non-US	33-2675	HP-7006	320i	2.2L L6 F/I	33-2231 ♦	HP-7007
740i	4.4L V8 F/I - US	33-2142	HP-7006	323Ci	2.5L L6 F/I	33-2231 ♦	HP-7007
740iL	4.0L V8 F/I		HP-7006	323i	2.5L L6 F/I	33-2231 ♦	HP-7007
740iL	4.0L V8 F/I - Non-US	33-2675	HP-7006	323Ti	2.5L L6 F/I	33-2070 ♦	HP-7007
740iL	4.4L V8 F/I		HP-7006	325Ci	2.5L L6 F/I	33-2231 ♦	HP-7007
740iL	4.4L V8 F/I - Non-US	33-2675	HP-7006	325i	2.5L L6 F/I	33-2231 ♦	HP-7007
740iL	4.4L V8 F/I		HP-7006	325Xi	2.5L L6 F/I	33-2231 ♦	HP-7007

\*Indicates 2 filters required

♦ - Intake kit available

Applications updated daily at [knfilters.com](http://knfilters.com) ®

# AIR & OIL FILTERS

# BMW

Vehicle	Engine Type	Air Filter	Oil Filter	Vehicle	Engine Type	Air Filter	Oil Filter
<b>2000 BMW</b>				<b>2000 BMW</b>			
328Ci	2.8L L6 F/I	33-2231 ♦	HP-7007	X5	4.4L V8 F/I	33-2149	HP-7006
328i	2.8L L6 F/I	33-2231 ♦	HP-7007	Z3	1.9L L4 F/I	33-2733 ♦	
330Ci	3.0L L6 F/I	33-2231 ♦	HP-7007	Z3	2.0L L6 F/I	33-2070 ♦	
330D	3.0L L6 DSL	E-2657		Z3	2.0L L6 F/I - to 9/00	33-2070	HP-7007
330i	3.0L L6 F/I	33-2231 ♦	HP-7007	Z3	2.2L L6 F/I	33-2070 ♦	HP-7007
330Xd	3.0L L6 DSL	E-2657		Z3	2.5L L6 F/I	33-2070	HP-7007
330Xi	3.0L L6 F/I	33-2231 ♦	HP-7007	Z3	2.8L L6 F/I	33-2070 ♦	HP-7007
520d	2.0L L4 DSL	E-2657		Z3	3.0L L6 F/I	33-2070 ♦	HP-7007
520i	2.0L L6 F/I	33-2070 ♦	HP-7007	Z3	3.2L L6 F/I	33-2070 ♦	
520i	2.2L L6 F/I	33-2070 ♦	HP-7007	Z8	4.9L V8 F/I	33-2204*	HP-7006
523i	2.5L L6 F/I	33-2070 ♦	HP-7007	Z8	5.0L V8 F/I	33-2204*	HP-7006
525d	2.5L L6 DSL	E-2657		<b>1999 BMW</b>			
525i	2.5L L6 F/I	33-2070 ♦	HP-7007	316i	1.6L L4 F/I	33-2733 ♦	
525td	2.5L L6 DSL	33-2706		316i	1.9L L4 F/I	33-2231 ♦	
525tds	2.5L L6 DSL	33-2706		318Ci	1.9L L4 F/I	33-2231 ♦	
528i	2.8L L6 F/I	33-2070 ♦	HP-7007	318i	1.8L L4 F/I	33-2733 ♦	
530d	3.0L L6 DSL	E-2657		318i	1.9L L4 F/I	33-2231 ♦	
530i	3.0L L6 F/I	33-2070	HP-7007	318iS	1.9L L4 F/I	33-2733 ♦	
535i	3.5L L6 F/I	33-2142	HP-7006	318tds	1.8L L4 DSL	33-2745	
540i	4.4L V8 F/I	33-2142	HP-7006	318ti	1.9L L4 F/I - Non-US	33-2733 ♦	
725tds	2.5L L6 DSL	33-2706		318ti	1.9L L4 F/I - US	33-2231 ♦	
728i	2.8L L6 F/I	33-2070	HP-7007	320Ci	2.0L L6 F/I		HP-7007
728iL	2.8L L6 F/I	33-2070		320Ci	2.0L L6 F/I - E46	33-2231	HP-7007
730D	3.0L L6 DSL	E-2657		320D	2.0L L4 DSL	E-2653	
730i	4.0L V8 F/I	33-2675		320i	2.0L L6 F/I		HP-7007
730iL	4.0L V8 F/I	33-2675		320i	2.0L L6 F/I - E36	33-2070 ♦	HP-7007
735i	3.5L L6 F/I	33-2675	HP-7006	320i	2.0L L6 F/I - E46	33-2231 ♦	HP-7007
735iL	3.5L L6 F/I	33-2675	HP-7006	323Ci	2.5L L6 F/I	33-2070 ♦	HP-7007
740i	4.0L V8 F/I		HP-7006	323Ci	2.5L L6 F/I - E46	33-2231 ♦	HP-7007
740i	4.0L V8 F/I - Non-US	33-2675	HP-7006	323i	2.5L L6 F/I		HP-7007
740i	4.4L V8 F/I		HP-7006	323i	2.5L L6 F/I - E36	33-2070 ♦	HP-7007
740i	4.4L V8 F/I - Non-US	33-2675	HP-7006	323i	2.5L L6 F/I - E46	33-2231 ♦	HP-7007
740i	4.4L V8 F/I - US	33-2142	HP-7006	323iC	2.5L L6 F/I	33-2070 ♦	HP-7007
740iL	4.0L V8 F/I		HP-7006	323iC	2.5L L6 F/I - E46	33-2231 ♦	HP-7007
740iL	4.0L V8 F/I - Non-US	33-2675	HP-7006	323iS	2.5L L6 F/I	33-2070 ♦	HP-7007
740iL	4.4L V8 F/I		HP-7006	323Ti	2.5L L6 F/I	33-2070 ♦	HP-7007
740iL	4.4L V8 F/I - Non-US	33-2675	HP-7006	325i	2.5L L6 F/I	33-2070 ♦	
740iL	4.4L V8 F/I - US	33-2142	HP-7006	325tds	2.5L L6 DSL	33-2706	
750i	5.4L V12 F/I	33-2752*	HP-7006	328Ci	2.8L L6 F/I	33-2231 ♦	HP-7007
750iL	5.4L V12 F/I	33-2752*	HP-7006	328i	2.8L L6 F/I		HP-7007
F650 Funduro	650		KN-151	328i	2.8L L6 F/I - Non-US, E36	33-2070 ♦	HP-7007
F650GS	650	BM-6501	KN-151	328i	2.8L L6 F/I - Non-US, E46	33-2231 ♦	HP-7007
F650ST Strada	650		KN-151	328i	2.8L L6 F/I - US	33-2070 ♦	HP-7007
K1200LT ABS	1200	BM-1299	KN-163	328iC	2.8L L6 F/I		HP-7007
K1200RS	1200	BM-1299	KN-163	328iC	2.8L L6 F/I - US: E36	33-2070 ♦	HP-7007
M3	3.0L L6 F/I	33-2070 ♦		328iS	2.8L L6 F/I		HP-7007
M3	3.2L L6 F/I	33-2231		328iS	2.8L L6 F/I - US	33-2070 ♦	HP-7007
M5	5.0L V8 F/I	33-2142*	HP-7006	330D	3.0L L6 DSL	E-2657	
R850C	850		KN-163	520i	2.0L L6 F/I	33-2070 ♦	HP-7007
R850R	832	BM-0400	KN-163	523i	2.5L L6 F/I	33-2070 ♦	HP-7007
R1100R	1100	BM-0400	KN-163	525td	2.5L L6 DSL	33-2706	
R1100R ABS	1100	BM-0400	KN-163	525tds	2.5L L6 DSL	33-2706	
R1100RS ABS	1100	BM-0400	KN-163	528i	2.8L L6 F/I	33-2070 ♦	HP-7007
R1100RS Special Edition	1100		KN-163	530d	3.0L L6 DSL	E-2657	
R1100RT ABS	1100	BM-0400	KN-163	535i	3.5L L6 F/I	33-2142	HP-7006
R1100S	1100	BM-1199	KN-163	540i	4.4L V8 F/I	33-2142	HP-7006
R1100S Sport	1100		KN-163	725tds	2.5L L6 DSL	33-2706	
R1150GS	1150	BM-0400	KN-163	728i	2.8L L6 F/I	33-2070	HP-7007
R1200C	1170	BM-1298	KN-163	728iL	2.8L L6 F/I	33-2070	
R1200C Avantgarde	1200		KN-163	730D	3.0L L6 DSL	E-2657	
R1200C Crusier	1170	BM-1298	KN-163	730i	4.0L V8 F/I	33-2675	HP-7006
X5	3.0L L6 DSL	E-2657		730iL	4.0L V8 F/I	33-2675	HP-7006
X5	3.0L L6 F/I	33-2255	HP-7007				

\*Indicates 2 filters required      ♦ - Intake kit available      Applications updated daily at [knfilters.com](http://knfilters.com) ®

**Partial Listing - Complete List of Vehicles and Applications at [knfilters.com](http://knfilters.com)**

# BMW

# AIR & OIL FILTERS

Vehicle	Engine Type	Air Filter	Oil Filter	Vehicle	Engine Type	Air Filter	Oil Filter
<b>1999 BMW</b>				<b>1998 BMW</b>			
735i	3.5L L6 F/I	33-2675	HP-7006	323iC	2.5L L6 F/I	33-2070 ♦	HP-7007
735iL	3.5L L6 F/I	33-2675	HP-7006	323iS	2.5L L6 F/I	33-2070 ♦	HP-7007
740d	3.9L V8 DSL	33-2254	HP-7007	323Ti	2.5L L6 F/I	33-2070 ♦	HP-7007
740i	4.0L V8 F/I		HP-7006	325i	2.5L L6 F/I	33-2070 ♦	
740i	4.0L V8 F/I - Non-US	33-2675	HP-7006	325td	2.5L L6 DSL	33-2706	
740i	4.4L V8 F/I		HP-7006	325tds	2.5L L6 DSL	33-2706	
740i	4.4L V8 F/I - Non-US	33-2675	HP-7006	328Ci	2.8L L6 F/I	33-2070 ♦	HP-7007
740i	4.4L V8 F/I - US	33-2142	HP-7006	328i	2.8L L6 F/I		HP-7007
740iL	4.0L V8 F/I		HP-7006	328i	2.8L L6 F/I - Non-US, E36	33-2070 ♦	HP-7007
740iL	4.0L V8 F/I - Non-US	33-2675	HP-7006	328i	2.8L L6 F/I - Non-US, E46	33-2231 ♦	HP-7007
740iL	4.4L V8 F/I		HP-7006	328i	2.8L L6 F/I - US	33-2070 ♦	HP-7007
740iL	4.4L V8 F/I - Non-US	33-2675	HP-7006	328i	2.8L L6 F/I - US	33-2070 ♦	HP-7007
740iL	4.4L V8 F/I - US	33-2142	HP-7006	328iS	2.8L L6 F/I	33-2070 ♦	HP-7007
750i	5.4L V12 F/I	33-2752*	HP-7006	520i	2.0L L6 F/I	33-2070 ♦	HP-7007
750iL	5.4L V12 F/I	33-2752*	HP-7006	523i	2.5L L6 F/I	33-2070 ♦	HP-7007
840Ci	4.4L V8 F/I	33-2675		525td	2.5L L6 DSL	33-2706	
850Ci	5.4L V12 F/I	33-2059*	HP-7006	525tds	2.5L L6 DSL	33-2706	
F650 Funduro	650		KN-151	528i	2.8L L6 F/I	33-2070 ♦	HP-7007
F650ST Strada	650		KN-151	530d	3.0L L6 DSL	E-2657	
K1100LT ABS	1100		KN-163	535i	3.5L L6 F/I	33-2142	HP-7006
K1200C	1200		KN-163	540i	4.4L V8 F/I	33-2142	HP-7006
K1200LT ABS	1200	BM-1299	KN-163	725tds	2.5L L6 DSL	33-2706	
K1200RS	1200	BM-1299	KN-163	728i	2.8L L6 F/I	33-2070	HP-7007
M Coupe	3.2L L6 F/I	33-2070		728iL	2.8L L6 F/I	33-2070	
M3	3.0L L6 F/I	33-2070 ♦		730D	3.0L L6 DSL	E-2657	
M3	3.2L L6 F/I	33-2070 ♦		730i	4.0L V8 F/I	33-2675	HP-7006
M5	5.0L V8 F/I	33-2142*	HP-7006	730iL	4.0L V8 F/I	33-2675	HP-7006
R850C	850		KN-163	735i	3.5L L6 F/I	33-2675	HP-7006
R850GS Boxer	850		KN-163	735iL	3.5L L6 F/I	33-2675	HP-7006
R850R	832	BM-0400	KN-163	740i	4.0L V8 F/I	33-2675	HP-7006
R850R Boxer	850		KN-163	740i	4.4L V8 F/I	33-2675	HP-7006
R850RT	850		KN-163	740iL	4.0L V8 F/I	33-2675	HP-7006
R1100GS ABS	1100	BM-0400	KN-163	740iL	4.4L V8 F/I	33-2675	HP-7006
R1100R	1100	BM-0400	KN-163	750i	5.4L V12 F/I	33-2752*	HP-7006
R1100R ABS	1100	BM-0400	KN-163	750iL	5.4L V12 F/I	33-2752*	HP-7006
R1100RS ABS	1100	BM-0400	KN-163	840Ci	4.4L V8 F/I	33-2675	HP-7006
R1100RT ABS	1100	BM-0400	KN-163	850Ci	5.4L V12 F/I	33-2059*	HP-7006
R1100S	1100	BM-1199	KN-163	F650 Funduro	650		KN-151
R1150GS	1150	BM-0400	KN-163	F650ST Strada	650		KN-151
R1200C	1170	BM-1298	KN-163	K1100LT ABS	1100		KN-163
R1200C Crusler	1170	BM-1298	KN-163	K1200LT ABS	1200	BM-1299	KN-163
Z3	1.9L L4 F/I	33-2733 ♦		K1200RS	1200	BM-1299	KN-163
Z3	2.0L L6 F/I	33-2070 ♦	HP-7007	M Coupe	3.2L L6 F/I	33-2070	
Z3	2.5L L6 F/I	33-2070	HP-7007	M3	3.0L L6 F/I	33-2070 ♦	
Z3	2.8L L6 F/I	33-2070 ♦	HP-7007	M3	3.2L L6 F/I	33-2070 ♦	
Z3	3.2L L6 F/I	33-2070 ♦		M5	5.0L V8 F/I	33-2142*	HP-7006
<b>1998 BMW</b>				<b>1997 BMW</b>			
316i	1.6L L4 F/I	33-2733 ♦		R850R	832	BM-0400	KN-163
316i	1.9L L4 F/I	33-2231 ♦		R1100GS ABS	1100	BM-0400	KN-163
318i	1.8L L4 F/I	33-2733 ♦		R1100GS PD	1100		KN-163
318i	1.9L L4 F/I - Non-US	33-2231 ♦		R1100R	1100	BM-0400	KN-163
318i	1.9L L4 F/I - US	33-2733 ♦		R1100R ABS	1100	BM-0400	KN-163
318iS	1.9L L4 F/I	33-2733 ♦		R1100RS ABS	1100	BM-0400	KN-163
318tds	1.8L L4 DSL	33-2745		R1100RT ABS	1100	BM-0400	
318ti	1.9L L4 F/I	33-2733 ♦		R1200C	1170	BM-1298	KN-163
320D	2.0L L4 DSL	E-2653		R1200C Crusler	1170	BM-1298	
320i	2.0L L6 F/I - E36	33-2070 ♦		Z3	1.8L L4 F/I	33-2733	
320i	2.0L L6 F/I - E46	33-2231 ♦		Z3	1.9L L4 F/I	33-2733 ♦	
323Ci	2.5L L6 F/I	33-2070 ♦	HP-7007	Z3	2.8L L6 F/I	33-2070 ♦	HP-7007
323i	2.5L L6 F/I		HP-7007	Z3	3.2L L6 F/I	33-2070 ♦	
323i	2.5L L6 F/I - E36	33-2070 ♦	HP-7007	<b>1997 BMW</b>			
323i	2.5L L6 F/I - E46	33-2231 ♦	HP-7007	316i	1.6L L4 F/I	33-2733 ♦	
323i	2.5L L6 F/I - US	33-2070	HP-7007	318i	1.8L L4 F/I	33-2733 ♦	

\*Indicates 2 filters required

♦ - Intake kit available

Applications updated daily at [knfilters.com](http://knfilters.com) ®

# AIR & OIL FILTERS

# BMW

Vehicle	Engine Type	Air Filter	Oil Filter	Vehicle	Engine Type	Air Filter	Oil Filter
<b>1997 BMW</b>				<b>1996 BMW</b>			
318i	1.9L L4 F/I - Non-US	33-2231		318i	1.8L L4 F/I	33-2733 ♦	
318i	1.9L L4 F/I - US	33-2733		318i	1.9L L4 F/I - Non-US	33-2231	
318iC	1.9L L4 F/I - US	33-2733		318i	1.9L L4 F/I - US	33-2733	
318iS	1.8L L4 F/I	33-2733		318iC	1.9L L4 F/I - US	33-2733	
318iS	1.9L L4 F/I	33-2733 ♦		318iS	1.8L L4 F/I	33-2733	
318tds	1.8L L4 DSL	33-2745		318iS	1.9L L4 F/I	33-2733 ♦	
318ti	1.9L L4 F/I	33-2733 ♦		318tds	1.8L L4 DSL	33-2745	
320i	2.0L L6 F/I	33-2070 ♦		318ti	1.9L L4 F/I	33-2733 ♦	
323i	2.5L L6 F/I	33-2070 ♦	HP-7007	320i	2.0L L6 F/I	33-2070 ♦	
323iS	2.5L L6 F/I	33-2070 ♦	HP-7007	323i	2.5L L6 F/I	33-2070 ♦	HP-7007
323Ti	2.5L L6 F/I	33-2070 ♦	HP-7007	325i	2.5L L6 F/I	33-2070 ♦	
325i	2.5L L6 F/I	33-2070 ♦		325td	2.5L L6 DSL	33-2706	
325td	2.5L L6 DSL	33-2706		325tds	2.5L L6 DSL	33-2706	
325tds	2.5L L6 DSL	33-2706		328i	2.8L L6 F/I	33-2070 ♦	HP-7007
328Ci	2.8L L6 F/I	33-2070 ♦		328iS	2.8L L6 F/I	33-2070 ♦	HP-7007
328i	2.8L L6 F/I	33-2070 ♦	HP-7007	520i	2.0L L6 F/I		HP-7007
328iS	2.8L L6 F/I	33-2070 ♦	HP-7007	520i	2.0L L6 F/I - E34	33-2078	HP-7007
520i	2.0L L6 F/I	33-2070	HP-7007	520i	2.0L L6 F/I - E39	33-2070	HP-7007
523i	2.5L L6 F/I	33-2070	HP-7007	523i	2.5L L6 F/I	33-2070	HP-7007
525td	2.5L L6 DSL	33-2706		525i	2.5L L6 F/I	33-2078	
525tds	2.5L L6 DSL	33-2706		525iX	2.5L L6 F/I	33-2078	
528i	2.8L L6 F/I	33-2070	HP-7007	525td	2.5L L6 DSL - E34 Left Hand Drive, E39	33-2706	
535i	3.5L L6 F/I	33-2142	HP-7006	525td	2.5L L6 DSL - E34, Right Hand Drive	33-2594	
540i	4.4L V8 F/I	33-2142	HP-7006	525tds	2.5L L6 DSL - E34 Left Hand Drive, E39	33-2706	
725tds	2.5L L6 DSL	33-2706		525tds	2.5L L6 DSL - E34, Right Hand Drive	33-2594	
728i	2.8L L6 F/I	33-2070	HP-7007	528i	2.8L L6 F/I	33-2070	HP-7007
728iL	2.8L L6 F/I	33-2070		530i	3.0L V8 F/I	33-2675	HP-7006
730i	4.0L V8 F/I	33-2675	HP-7006	535i	3.5L L6 F/I	33-2142	HP-7006
730iL	4.0L V8 F/I	33-2675	HP-7006	540i	4.0L V8 F/I	33-2675	HP-7006
735i	3.5L L6 F/I	33-2675	HP-7006	540i	4.4L V8 F/I	33-2142	HP-7006
735iL	3.5L L6 F/I	33-2675	HP-7006	725tds	2.5L L6 DSL	33-2706	
740i	4.0L V8 F/I	33-2675	HP-7006	728i	2.8L L6 F/I	33-2070	HP-7007
740i	4.4L V8 F/I	33-2675	HP-7006	728iL	2.8L L6 F/I	33-2070	
740iL	4.0L V8 F/I	33-2675	HP-7006	730i	4.0L V8 F/I	33-2675	HP-7006
740iL	4.4L V8 F/I	33-2675	HP-7006	730iL	4.0L V8 F/I	33-2675	HP-7006
750i	5.4L V12 F/I	33-2752*	HP-7006	735i	3.5L L6 F/I	33-2675	HP-7006
750iL	5.4L V12 F/I	33-2752*	HP-7006	735iL	3.5L L6 F/I	33-2675	HP-7006
840Ci	4.4L V8 F/I	33-2675	HP-7006	740i	4.0L V8 F/I	33-2675	HP-7006
850Ci	5.4L V12 F/I	33-2059*	HP-7006	740i	4.4L V8 F/I	33-2675	HP-7006
F650 Funduro	650		KN-151	740iL	4.0L V8 F/I	33-2675	HP-7006
F650ST Strada	650		KN-151	740iL	4.4L V8 F/I	33-2675	HP-7006
K75	750		KN-163	740iL	4.0L V8 F/I	33-2675	HP-7006
K75RT	750		KN-163	740iL	4.4L V8 F/I	33-2675	HP-7006
K75S	750		KN-163	750i	5.4L V12 F/I	33-2752*	HP-7006
K1100LT ABS	1100	BM-2605	KN-163	750iL	5.4L V12 F/I	33-2752*	HP-7006
K1100RS	1100	BM-2605		840Ci	4.0L V8 F/I	33-2675	
K1200RS	1200	BM-1299	KN-163	840Ci	4.4L V8 F/I	33-2675	HP-7006
M3	3.0L L6 F/I	33-2070 ♦		850Ci	5.4L V12 F/I	33-2059*	HP-7006
M3	3.2L L6 F/I	33-2070 ♦		850CSi	5.6L V12 F/I	33-2059*	HP-7006
R850R	832	BM-0400	KN-163	F650 Funduro	650		KN-151
R1100GS ABS	1100	BM-0400	KN-163	K75	750		KN-163
R1100R	1100	BM-0400	KN-163	K75RT	750	BM-2605	KN-163
R1100R ABS	1100	BM-0400	KN-163	K75S	750		KN-163
R1100RS ABS	1100	BM-0400	KN-163	K1100LT ABS	1100	BM-2605	KN-163
R1100RSL ABS	1100	BM-0400		K1100RS	1100	BM-2605	
R1100RT ABS	1100	BM-0400		M3	3.0L L6 F/I	33-2070 ♦	
R1200C	1170	BM-1298	KN-163	M3	3.2L L6 F/I	33-2070 ♦	
Z3	1.8L L4 F/I	33-2733		R100R	1000 - w/o oil cooler		KN-161
Z3	1.9L L4 F/I	33-2733 ♦		R100RS	1000 - w/o oil cooler		KN-161
Z3	2.8L L6 F/I	33-2070 ♦	HP-7007	R100RT	1000 - w/o oil cooler		KN-161
Z3	3.2L L6 F/I	33-2070 ♦		R850R	832	BM-0400	KN-163
<b>1996 BMW</b>				R1100GS ABS	1100	BM-0400	KN-163
316i	1.6L L4 F/I	33-2733 ♦		R1100R	1100	BM-0400	KN-163

\*Indicates 2 filters required      ♦ - Intake kit available      Applications updated daily at [knfilters.com](http://knfilters.com) ®

**Partial Listing - Complete List of Vehicles and Applications at [knfilters.com](http://knfilters.com)**



# BMW

# AIR & OIL FILTERS

Vehicle	Engine Type	Air Filter	Oil Filter	Vehicle	Engine Type	Air Filter	Oil Filter
<b>1996 BMW</b>				<b>1995 BMW</b>			
R1100R ABS	1100	BM-0400	KN-163	850Ci	5.4L V12 F/I	33-2059*	
R1100RS ABS	1100	BM-0400	KN-163	850Ci	5.4L V12 F/I - w/ Plastic Center Tube	33-2059*	HP-7006
R1100RSL ABS	1100	BM-0400		850Ci	5.6L V12 F/I	33-2059*	
R1100RT ABS	1100	BM-0400		850CSi	5.4L V12 F/I	33-2059*	HP-7006
Z3	1.8L L4 F/I	33-2733		850CSi	5.6L V12 F/I	33-2059*	
Z3	1.9L L4 F/I	33-2733 ♦		850CSi	5.6L V12 F/I - w/ Plastic Center Tube	33-2059*	HP-7006
<b>1995 BMW</b>				<b>1994 BMW</b>			
316i	1.6L L4 F/I - from 9/95	33-2733 ♦		F650 Funduro	650		KN-151
316i	1.6L L4 F/I - to 8/95	33-2059 ♦		K75	740	BM-2605	KN-163
318i	1.8L L4 F/I - Non-US, from 9/95	33-2733 ♦		K75/3	750	BM-2605	KN-163
318i	1.8L L4 F/I - Non-US, to 8/95	33-2059 ♦		K75/3 ABS	750	BM-2605	KN-163
318i	1.8L L4 F/I - US	33-2733		K75RT	750	BM-2605	KN-163
318iC	1.8L L4 F/I	33-2733		K75RT ABS	750	BM-2605	KN-163
318iS	1.8L L4 F/I	33-2733 ♦		K75S	750	BM-2605	KN-163
318iS	1.9L L4 F/I	33-2733		K75S ABS	750	BM-2605	KN-163
318tds	1.8L L4 DSL	33-2745		K1100LT ABS	1100	BM-2605	KN-163
318ti	1.8L L4 F/I	33-2733 ♦		K1100RS	1100	BM-2605	KN-163
318ti	1.9L L4 F/I	33-2733 ♦		M3	3.0L L6 F/I	33-2070 ♦	
320i	2.0L L6 F/I	33-2070 ♦		M3	3.2L L6 F/I	33-2070 ♦	
323i	2.5L L6 F/I	33-2070 ♦	HP-7007	M5	3.8L L6 F/I	33-2078 ♦	
325Ci	2.5L L6 F/I	33-2070 ♦		R80	800	BM-0300	KN-161
325i	2.5L L6 F/I	33-2070 ♦		R80GS	800		KN-161
325iS	2.5L L6 F/I	33-2070 ♦		R80R	800		KN-161
325td	2.5L L6 DSL	33-2706		R80RT	800	BM-0300	KN-161
325tds	2.5L L6 DSL	33-2706		R100GS	1000	BM-0300	
328i	2.8L L6 F/I	33-2070 ♦	HP-7007	R100MYS	1000	BM-0300	
518i	1.8L L4 F/I	33-2059		R100PD	1000	BM-0300	
520i	2.0L L6 F/I	33-2078		R100R	1000	BM-0300	
523i	2.5L L6 F/I	33-2070	HP-7007	R100R	1000 - w/o oil cooler	BM-0300	KN-161
524td	2.4L L6 DSL	33-2594		R100RS	1000	BM-0300	
525i	2.5L L6 F/I	33-2078 ♦		R100RS	1000 - w/o oil cooler	BM-0300	KN-161
525iT	2.5L L6 F/I	33-2078		R100RT	1000	BM-0300	
525iX	2.5L L6 F/I	33-2078		R100RT	1000 - w/o oil cooler	BM-0300	KN-161
525td	2.5L L6 DSL - Left Hand Drive	33-2706		R850R	832	BM-0400	KN-163
525td	2.5L L6 DSL - Right Hand Drive	33-2594		R1100GS ABS	1100	BM-0400	KN-163
525tds	2.5L L6 DSL - Left Hand Drive	33-2706		R1100R	1100	BM-0400	KN-163
525tds	2.5L L6 DSL - Right Hand Drive	33-2594		R1100R ABS	1100	BM-0400	KN-163
528i	2.8L L6 F/I	33-2070	HP-7007	R1100RA/S ABS	1100	BM-0400	KN-163
530i	3.0L V8 F/I	33-2675		R1100RS ABS	1100	BM-0400	KN-163
530i	3.0L V8 F/I - w/ Plastic Center Tube	33-2675	HP-7006	R1100RS ABS Special Edition	1100	BM-0400	KN-163
530iT	3.0L V8 F/I	33-2675	HP-7006	R1100RSL ABS	1100	BM-0400	
535i	3.5L L6 F/I	33-2573 ♦		R1100RSL ABS Special Edition			
540i	4.0L V8 F/I	33-2675		Z3	1.8L L4 F/I	33-2733	
540i	4.0L V8 F/I - w/ Plastic Center Tube	33-2675	HP-7006	Z3	1.9L L4 F/I	33-2733	
728i	2.8L L6 F/I	33-2070	HP-7007	<b>1994 BMW</b>			
730i	4.0L V8 F/I	33-2675	HP-7006	316i	1.6L L4 F/I	33-2059 ♦	
730iL	4.0L V8 F/I	33-2675	HP-7006	318i	1.8L L4 F/I	33-2059 ♦	
740i	4.0L V8 F/I	33-2675		318iC	1.8L L4 F/I	33-2059	
740i	4.0L V8 F/I - w/ Plastic Center Tube	33-2675	HP-7006	318iS	1.8L L4 F/I - Non-US	33-2733 ♦	
740iL	4.0L V8 F/I	33-2675		318iS	1.8L L4 F/I - US	33-2059	
740iL	4.0L V8 F/I - w/ Plastic Center Tube	33-2675	HP-7006	318ti	1.8L L4 F/I	33-2733 ♦	
750i	5.4L V12 F/I	33-2752*	HP-7006	320i	2.0L L6 F/I	33-2070 ♦	
750iL	5.4L V12 F/I	33-2752*		325Ci	2.5L L6 F/I	33-2070 ♦	
750iL	5.4L V12 F/I - w/ Plastic Center Tube	33-2752*	HP-7006	325i	2.5L L6 F/I	33-2070 ♦	
840Ci	4.0L V8 F/I	33-2675		325iS	2.5L L6 F/I	33-2070 ♦	
840Ci	4.0L V8 F/I - w/ Plastic Center Tube	33-2675	HP-7006	325td	2.5L L6 DSL	33-2706	
				325tds	2.5L L6 DSL	33-2706	
				518i	1.8L L4 F/I	33-2059	
				520i	2.0L L6 F/I	33-2078	
				525i	2.5L L6 F/I	33-2078 ♦	
				525iT	2.5L L6 F/I	33-2078	
				525iX	2.5L L6 F/I	33-2078	

\*Indicates 2 filters required

♦ - Intake kit available

Applications updated daily at [knfilters.com](http://knfilters.com) ®

# AIR & OIL FILTERS

# BMW

Vehicle	Engine Type	Air Filter	Oil Filter	Vehicle	Engine Type	Air Filter	Oil Filter
<b>1994 BMW</b>				<b>1994 BMW</b>			
525td	2.5L L6 DSL - Left Hand Drive	33-2706		R100MYS	1000	BM-0300	
525td	2.5L L6 DSL - Right Hand Drive	33-2594		R100PD	1000	BM-0300	
525tds	2.5L L6 DSL - Left Hand Drive	33-2706		R100R	1000	BM-0300	
525tds	2.5L L6 DSL - Right Hand Drive	33-2594		R100R	1000 - w/o oil cooler	BM-0300	KN-161
530i	3.0L V8 F/I	33-2675		R100RS	1000	BM-0300	
530i	3.0L V8 F/I - w/ Plastic Center Tube	33-2675	HP-7006	R100RS	1000 - w/o oil cooler	BM-0300	KN-161
530iT	3.0L V8 F/I	33-2675	HP-7006	R100RT	1000	BM-0300	
535i	3.5L L6 F/I	33-2573 ♦		R100RT	1000 - w/o oil cooler	BM-0300	KN-161
540i	4.0L V8 F/I	33-2675		R1100GS ABS	1100	BM-0400	KN-163
540i	4.0L V8 F/I - w/ Plastic Center Tube	33-2675	HP-7006	R1100R	1100	BM-0400	KN-163
728i	2.8L L6 F/I	33-2070		R1100RS ABS	1100	BM-0400	KN-163
730i	4.0L V8 F/I	33-2675	HP-7006	R1100RS ABS	1100	BM-0400	KN-163
730iL	3.0L L6 F/I	33-2573		Special Edition			
730iL	4.0L V8 F/I	33-2675	HP-7006	R1100RSL ABS	1100	BM-0400	
740i	4.0L V8 F/I	33-2675		R1100RSL ABS	1100	BM-0400	
740i	4.0L V8 F/I - w/ Plastic Center Tube	33-2675	HP-7006	Special Edition			
740iL	4.0L V8 F/I	33-2675		<b>1993 BMW</b>			
740iL	4.0L V8 F/I - w/ Plastic Center Tube	33-2675	HP-7006	316i	1.6L L4 F/I	33-2059 ♦	
750i	5.0L V12 F/I	33-2059*		318i	1.8L L4 F/I - US	33-2059	
750i	5.4L V12 F/I	33-2752*	HP-7006	318iS	1.8L L4 F/I - Non-US, from 12/93	33-2733 ♦	
750iL	5.0L V12 F/I	33-2059*		318iS	1.8L L4 F/I - Non-US, to 11/93	33-2059 ♦	
750iL	5.0L V12 F/I - w/ Plastic Center Tube	33-2059*	HP-7006	318iS	1.8L L4 F/I - US	33-2059	
750iL	5.4L V12 F/I	33-2752*	HP-7006	320i	2.0L L6 F/I - E30	33-2059 ♦	
840Ci	4.0L V8 F/I	33-2675		320i	2.0L L6 F/I - E36	33-2070 ♦	
840Ci	4.0L V8 F/I - w/ Plastic Center Tube	33-2675	HP-7006	320i	2.0L L6 F/I - US	33-2070	
850Ci	5.0L V12 F/I	33-2059*		324td	2.4L L6 DSL	33-2577	
850Ci	5.0L V12 F/I - w/ Plastic Center Tube	33-2059*	HP-7006	325Ci	2.5L L6 F/I - 24v	33-2070 ♦	
850CSi	5.6L V12 F/I	33-2059*		325i	2.5L L6 F/I - Non-US, 12v		HP-2005
850CSi	5.6L V12 F/I - w/ Plastic Center Tube	33-2059*	HP-7006	325i	2.5L L6 F/I - Non-US, E30	33-2059 ♦	
850i	5.0L V12 F/I	33-2059*	HP-7006	325i	2.5L L6 F/I - Non-US, E36	33-2070 ♦	
F650 Funduro	650		KN-151	325i	2.5L L6 F/I - US	33-2070 ♦	
K1	1000		KN-163	325i	2.5L L6 F/I - US, SOHC		HP-2005
K75	740	BM-2605	KN-163	325iS	2.5L L6 F/I	33-2070 ♦	
K75 ABS	750	BM-2605	KN-163	325iX	2.5L L6 F/I	33-2059 ♦	
K75 ABS Special Edition	750	BM-2605	KN-163	325td	2.5L L6 DSL	33-2706	
K75 Special Edition	750	BM-2605	KN-163	325tds	2.5L L6 DSL	33-2706	
K75RT	750	BM-2605	KN-163	518i	1.8L L4 F/I	33-2059	
K75RT ABS	750	BM-2605	KN-163	520i	2.0L L6 F/I	33-2078	
K75S	750	BM-2605	KN-163	524td	2.4L L6 DSL	33-2594	
K75S ABS	750	BM-2605	KN-163	525i	2.5L L6 F/I	33-2078 ♦	
K75S ABS Special Edition	750	BM-2605	KN-163	525iT	2.5L L6 F/I	33-2078	
K100LT	1000		KN-163	525iX	2.5L L6 F/I	33-2078	
K100RS	1000		KN-163	525td	2.5L L6 DSL - Left Hand Drive	33-2706	
K100RT	1000		KN-163	525td	2.5L L6 DSL - Right Hand Drive	33-2594	
K1100LT ABS	1100	BM-2605	KN-163	525tds	2.5L L6 DSL - Left Hand Drive	33-2706	
K1100LT ABS Special Edition	1100	BM-2605	KN-163	525tds	2.5L L6 DSL - Right Hand Drive	33-2594	
K1100RS	1100	BM-2605	KN-163	530i	3.0L V8 F/I	33-2675	HP-7006
M3	3.0L L6 F/I	33-2070 ♦		535i	3.5L L6 F/I	33-2573 ♦	
M5	3.8L L6 F/I	33-2078 ♦		540i	4.0L V8 F/I	33-2675	HP-7006
R80	806	BM-0300	KN-161	730i	4.0L V8 F/I	33-2675	HP-7006
R80GS	800		KN-161	730iL	3.0L L6 F/I	33-2573	
R80R	800		KN-161	730iL	4.0L V8 F/I	33-2675	HP-7006
R80RT	800	BM-0300	KN-161	740i	4.0L V8 F/I	33-2675	
R100GS	1000	BM-0300		740i	4.0L V8 F/I - w/ Plastic Center Tube	33-2675	HP-7006
R100GS	1000 - w/o oil cooler	BM-0300	KN-161	740iL	4.0L V8 F/I	33-2675	
				740iL	4.0L V8 F/I - w/ Plastic Center Tube	33-2675	HP-7006
				750i	5.0L V12 F/I	33-2059*	

\*Indicates 2 filters required      ♦ - Intake kit available      Applications updated daily at [knfilters.com](http://knfilters.com) ®

**Partial Listing - Complete List of Vehicles and Applications at [knfilters.com](http://knfilters.com)**

# BMW

# AIR & OIL FILTERS

Vehicle	Engine Type	Air Filter	Oil Filter	Vehicle	Engine Type	Air Filter	Oil Filter
<b>1993 BMW</b>				<b>1992 BMW</b>			
750iL	5.0L V12 F/I	33-2059*		535i	3.5L L6 F/I	33-2573 ♦	
750iL	5.0L V12 F/I - w/ Plastic Center Tube	33-2059*	HP-7006	540i	4.0L V8 F/I	33-2675	HP-7006
840Ci	4.0L V8 F/I	33-2675		730i	3.0L L6 F/I	33-2573	
850Ci	5.0L V12 F/I	33-2059*	HP-7006	730i	4.0L V8 F/I	33-2675	HP-7006
850CSi	5.0L V12 F/I	33-2059*	HP-7006	730iL	3.0L L6 F/I	33-2573	
850CSi	5.6L V12 F/I	33-2059*	HP-7006	730iL	4.0L V8 F/I	33-2675	HP-7006
850i	5.0L V12 F/I	33-2059*	HP-7006	735i	3.5L L6 F/I	33-2573	
F650 Funduro	650		KN-151	735iL	3.5L L6 F/I	33-2573	
K1	1000	BM-2605	KN-163	740i	4.0L V8 F/I	33-2675	
K75	740	BM-2605	KN-163	740iL	4.0L V8 F/I	33-2675	
K75RT	750	BM-2605	KN-163	750i	5.0L V12 F/I	33-2059*	
K75RT ABS	750	BM-2605	KN-163	750iL	5.0L V12 F/I	33-2059*	
K75S	750	BM-2605	KN-163	750iL	5.0L V12 F/I - w/ Plastic Center Tube	33-2059*	HP-7006
K75S ABS	750	BM-2605	KN-163	850i	5.0L V12 F/I	33-2059*	
K100LT	1000	BM-2605	KN-163	850i	5.0L V12 F/I - w/ Plastic Center Tube	33-2059*	HP-7006
K100RS	1000	BM-2605	KN-163	K1	1000	BM-2605	KN-163
K100RT	1000		KN-163	K75	740	BM-2605	KN-163
K1100LT ABS	1100	BM-2605	KN-163	K75RT	750	BM-2605	KN-163
K1100RS	1100	BM-2605	KN-163	K75RT ABS	750	BM-2605	KN-163
M3	3.0L L6 F/I	33-2070 ♦		K75S	750	BM-2605	KN-163
M5	3.6L L6 F/I	33-2078		K75S ABS	750	BM-2605	KN-163
M5	3.8L L6 F/I	33-2078 ♦		K100LT	1000	BM-2605	KN-163
R80GS	800		KN-161	K100RS	1000	BM-2605	KN-163
R80R	800		KN-161	K100RT	1000		KN-163
R80RT	800	BM-0300	KN-161	K1100LT ABS	1100	BM-2605	KN-163
R100GS	1000	BM-0300		K1100RS	1100	BM-2605	KN-163
R100GS	1000 - w/o oil cooler	BM-0300	KN-161	M3	2.5L L4 F/I	33-2005	
R100PD	1000	BM-0300		M3	3.0L L6 F/I	33-2070 ♦	
R100R	1000	BM-0300		M5	3.5L L6 F/I	33-2078 ♦	
R100R	1000 - w/o oil cooler	BM-0300	KN-161	M5	3.6L L6 F/I	33-2078	
R100RS	1000	BM-0300		M5	3.8L L6 F/I	33-2078 ♦	
R100RS	1000 - w/o oil cooler	BM-0300	KN-161	R65	650	BM-0300	KN-161
R100RT	1000	BM-0300		R80	806	BM-0300	KN-161
R100RT	1000 - w/o oil cooler	BM-0300	KN-161	R80GS	800		KN-161
R1100GS ABS	1100	BM-0400	KN-163	R80RT	800	BM-0300	KN-161
R1100RS ABS	1100	BM-0400	KN-163	R100GS	1000	BM-0300	
<b>1992 BMW</b>				<b>1991 BMW</b>			
316i	1.6L L4 F/I	33-2059 ♦		316i	1.6L L4 F/I	33-2059 ♦	
318i	1.8L L4 F/I	33-2059 ♦		318i	1.8L L4 F/I	33-2059 ♦	
318iC	1.8L L4 F/I	33-2059		318iC	1.8L L4 F/I	33-2059	
318iS	1.8L L4 F/I	33-2059		318iS	1.8L L4 F/I	33-2059	
320i	2.0L L6 F/I	33-2070		320i	2.0L L6 F/I - E30	33-2059 ♦	
320i	2.0L L6 F/I - E30	33-2059 ♦		320i	2.0L L6 F/I - E36	33-2070 ♦	
320i	2.0L L6 F/I - E36	33-2070 ♦		324td	2.4L L6 DSL	33-2577	
324td	2.4L L6 DSL	33-2577		325i	2.5L L6 F/I	33-2059	HP-2005
325Ci	2.5L L6 F/I	33-2059 ♦		325i	2.5L L6 F/I - E30	33-2059 ♦	HP-2005
325i	2.5L L6 F/I	33-2070 ♦		325i	2.5L L6 F/I - E36	33-2070 ♦	HP-2005
325i	2.5L L6 F/I - 12v	33-2070	HP-2005	325iX	2.5L L6 F/I - SOHC	33-2070	HP-2005
325i	2.5L L6 F/I - E30	33-2059 ♦		325iS	2.5L L6 F/I	33-2070 ♦	
325i	2.5L L6 F/I - E36	33-2070 ♦		325iX	2.5L L6 F/I	33-2059 ♦	
325i	2.5L L6 F/I - SOHC	33-2070	HP-2005	325td	2.5L L6 DSL	33-2706	
325iS	2.5L L6 F/I	33-2070 ♦		518i	1.8L L4 F/I	33-2059	
325iX	2.5L L6 F/I	33-2059 ♦		520i	2.0L L6 F/I	33-2078	
325td	2.5L L6 DSL	33-2706		524td	2.4L L6 DSL	33-2594	
518i	1.8L L4 F/I	33-2059		525i	2.5L L6 F/I	33-2078 ♦	
520i	2.0L L6 F/I	33-2078		525iX	2.5L L6 F/I	33-2078	
524td	2.4L L6 DSL	33-2594		525tds	2.5L L6 DSL - Left Hand Drive	33-2706	
525i	2.5L L6 F/I	33-2078 ♦		525tds	2.5L L6 DSL - Right Hand Drive	33-2594	
525iX	2.5L L6 F/I	33-2078		530i	3.0L V8 F/I	33-2675	HP-7006

\*Indicates 2 filters required

♦ - Intake kit available

Applications updated daily at [knfilters.com](http://knfilters.com) ®

# AIR & OIL FILTERS

# BMW

Vehicle	Engine Type	Air Filter	Oil Filter	Vehicle	Engine Type	Air Filter	Oil Filter
<b>1991 BMW</b>				<b>1990 BMW</b>			
525i	2.5L L6 F/I - 192BHP	33-2059 ♦		525i	2.5L L6 F/I - 170BHP	33-2059 ♦	
525i	2.5L L6 F/I - US	33-2059		525i	2.5L L6 F/I - 192BHP	33-2078 ♦	
525i	2.5L L6 F/I - US, M20 Eng.		HP-2005	525i	2.5L L6 F/I - US	33-2059	HP-2005
525i	2.5L L6 F/I - US, M50 Eng.		HP-7006	530i	3.0L L6 F/I	33-2573 ♦	
525iX	2.5L L6 F/I	33-2078		535i	3.5L L6 F/I	33-2573 ♦	
525tds	2.5L L6 DSL - Left Hand Drive	33-2706		635CSi	3.5L L6 F/I	33-2005	
525tds	2.5L L6 DSL - Right Hand Drive	33-2594		730i	3.0L L6 F/I	33-2573	
530i	3.0L L6 F/I	33-2573 ♦		730iL	3.0L L6 F/I	33-2573	
535i	3.5L L6 F/I	33-2573 ♦		735i	3.5L L6 F/I	33-2573	
730i	3.0L L6 F/I	33-2573		735iL	3.5L L6 F/I	33-2573	
730iL	3.0L L6 F/I	33-2573		750i	5.0L V12 F/I	33-2059*	
735i	3.5L L6 F/I	33-2573		750iL	5.0L V12 F/I	33-2059*	
735iL	3.5L L6 F/I	33-2573		850i	5.0L V12 F/I	33-2059*	
750i	5.0L V12 F/I	33-2059*		K1	1000	BM-2605	KN-163
750iL	5.0L V12 F/I	33-2059*		K75	740	BM-2605	KN-163
750iL	5.0L V12 F/I - w/ Plastic Center Tube	33-2059*	HP-7006	K75RT	750	BM-2605	KN-163
850i	5.0L V12 F/I	33-2059*		K75S	750	BM-2605	KN-163
850i	5.0L V12 F/I - w/ Plastic Center Tube	33-2059*	HP-7006	K100	1000	BM-2605	KN-163
K1	1000	BM-2605	KN-163	K100LT	1000	BM-2605	KN-163
K75	740	BM-2605	KN-163	K100RS	1000	BM-2605	KN-163
K75RT	750	BM-2605	KN-163	K100RT	1000	BM-2605	KN-163
K75RT ABS	750	BM-2605	KN-163	K1100RS	1100	BM-2605	KN-163
K75S	750	BM-2605	KN-163	M3	2.3L L4 F/I	33-2005	
K75S ABS	750	BM-2605	KN-163	M3	2.5L L4 F/I	33-2005	
K100LT	1000	BM-2605	KN-163	M5	3.5L L6 F/I	33-2078 ♦	
K100RS	1000	BM-2605	KN-163	M5	3.6L L6 F/I	33-2078	
K100RT	1000	KN-163		R80	806	BM-0300	KN-161
K1100RS	1100	BM-2605	KN-163	R80GS	800	KN-161	
M3	2.3L L4 F/I	33-2005		R80RT	800	BM-0300	KN-161
M3	2.5L L4 F/I	33-2005		R100GS	1000	BM-0300	
M5	3.5L L6 F/I	33-2078 ♦		R100GS	1000 - w/o oil cooler	BM-0300	KN-161
M5	3.6L L6 F/I	33-2078		R100PD	1000	BM-0300	
R80	806	BM-0300	KN-161	R100R	1000	BM-0300	
R80GS	800	KN-161		R100R	1000 - w/o oil cooler	BM-0300	KN-161
R80RT	800	BM-0300	KN-161	R100RS	1000	BM-0300	
R100GS	1000	BM-0300		R100RS	1000 - w/o oil cooler	BM-0300	KN-161
R100GS	1000 - w/o oil cooler	BM-0300	KN-161	R100RT	1000	BM-0300	
R100PD	1000	BM-0300		R100RT	1000 - w/o oil cooler	BM-0300	KN-161
R100R	1000	BM-0300		Z1	2.5L L6 F/I	33-2059	
R100R	1000 - w/o oil cooler	BM-0300	KN-161	<b>1989 BMW</b>			
R100RS	1000	BM-0300		316i	1.6L L4 F/I	33-2059	
R100RS	1000 - w/o oil cooler	BM-0300	KN-161	318i	1.8L L4 F/I	33-2059 ♦	
R100RT	1000	BM-0300		318iS	1.8L L4 F/I	33-2059	
R100RT	1000 - w/o oil cooler	BM-0300	KN-161	320i	2.0L L6 F/I	33-2059 ♦	
Z1	2.5L L6 F/I	33-2059		324td	2.4L L6 DSL	33-2577	
<b>1990 BMW</b>				325i	2.5L L6 F/I	33-2059 ♦	HP-2005
316i	1.6L L4 F/I	33-2059 ♦		325iS	2.5L L6 F/I	33-2059	HP-2005
318i	1.8L L4 F/I	33-2059 ♦		325iX	2.5L L6 F/I	33-2059 ♦	HP-2005
318iS	1.8L L4 F/I	33-2059		520i	2.0L L6 F/I - 129BHP	33-2059	
320i	2.0L L6 F/I - E30	33-2059 ♦		520i	2.0L L6 F/I - 150BHP	33-2078	
320i	2.0L L6 F/I - E36	33-2070 ♦		525i	2.5L L6 F/I		HP-2005
324d	2.4L L6 DSL	33-2577		525i	2.5L L6 F/I - 170BHP	33-2059 ♦	HP-2005
324td	2.4L L6 DSL	33-2577		525i	2.5L L6 F/I - 192BHP	33-2078 ♦	HP-2005
325i	2.5L L6 F/I	33-2059 ♦	HP-2005	525i	2.5L L6 F/I - US	33-2059	HP-2005
325iS	2.5L L6 F/I	33-2059	HP-2005	530i	3.0L L6 F/I	33-2573 ♦	
325iX	2.5L L6 F/I	33-2059 ♦	HP-2005	535i	3.5L L6 F/I	33-2573 ♦	
518i	1.8L L4 F/I	33-2059		635CSi	3.5L L6 F/I	33-2005	
520i	2.0L L6 F/I - 129BHP	33-2059		730i	3.0L L6 F/I	33-2573	
520i	2.0L L6 F/I - 150BHP	33-2078		730iL	3.0L L6 F/I	33-2573	
524td	2.4L L6 DSL	33-2594		735i	3.5L L6 F/I	33-2573	
				735iL	3.5L L6 F/I	33-2573	
				750i	5.0L V12 F/I	33-2059*	
				750iL	5.0L V12 F/I	33-2059*	
				K1	1000	BM-2605	KN-163
				K75	750	BM-2605	KN-163
				K75S	750	BM-2605	KN-163
				K100	1000	BM-2605	KN-163

\*Indicates 2 filters required    ♦ - Intake kit available    Applications updated daily at [knfilters.com](http://knfilters.com) ®

**Partial Listing - Complete List of Vehicles and Applications at [knfilters.com](http://knfilters.com)**

# BMW

# AIR & OIL FILTERS

Vehicle	Engine Type	Air Filter	Oil Filter	Vehicle	Engine Type	Air Filter	Oil Filter
<b>1989 BMW</b>				<b>1988 BMW</b>			
K100LT	1000	BM-2605	KN-163	R100RT	1000 - w/o oil cooler	BM-0300	KN-161
K100RS	1000	BM-2605	KN-163	<b>1987 BMW</b>			
K100RT	1000	BM-2605	KN-163	316	1.8L L4 CARB	E-2850	
M3	2.3L L4 F/I	33-2005		316i	1.6L L4 F/I	33-2059	
M5	3.5L L6 F/I	33-2078 ♦		316i	1.8L L4 F/I	33-2005	
M635CSi	3.5L L6 F/I	33-2559		318i	1.8L L4 F/I - from 9/87	33-2059 ♦	
R80	800	BM-0300	KN-161	318i	1.8L L4 F/I - to 8/87	33-2005 ♦	
R80GS	800		KN-161	320i	2.0L L6 F/I	33-2059 ♦	
R80RT	800	BM-0300	KN-161	325	2.7L L6 F/I		HP-2005
R80ST	800		KN-161	325e	2.7L L6 F/I	33-2059	HP-2005
R100GS	1000	BM-0300		325i	2.5L L6 F/I	33-2059 ♦	HP-2005
R100GS	1000 - w/o oil cooler	BM-0300	KN-161	325iS	2.5L L6 F/I	33-2059	HP-2005
R100PD	1000	BM-0300		325iX	2.5L L6 F/I	33-2059 ♦	
R100RS	1000	BM-0300		518i	1.8L L4 F/I	33-2005	
R100RS	1000 - w/o oil cooler	BM-0300	KN-161	520i	2.0L L6 F/I	33-2059	
R100RT	1000	BM-0300		525e	2.7L L6 F/I	33-2059	
R100RT	1000 - w/o oil cooler	BM-0300	KN-161	525i	2.5L L6 F/I	33-2005	
<b>1988 BMW</b>				528E	2.7L L6 F/I	33-2059	HP-2005
316	1.8L L4 CARB	E-2850		528i	2.8L L6 F/I	33-2005	
316i	1.6L L4 F/I	33-2059		535i	3.5L L6 F/I	33-2005	
316i	1.8L L4 F/I	33-2005		635CSi	3.5L L6 F/I	33-2005	
318i	1.8L L4 F/I	33-2059 ♦		730i	3.0L L6 F/I	33-2573	
320i	2.0L L6 F/I	33-2059 ♦		730iL	3.0L L6 F/I	33-2573	
324td	2.4L L6 DSL	33-2577		735i	3.5L L6 F/I - Non-US	33-2573	
325	2.7L L6 F/I	33-2059	HP-2005	735i	3.5L L6 F/I - US	33-2005	
325e	2.7L L6 F/I	33-2059	HP-2005	735iL	3.5L L6 F/I - Non-US	33-2573	
325i	2.5L L6 F/I	33-2059 ♦	HP-2005	K75	750		KN-163
325iS	2.5L L6 F/I	33-2059	HP-2005	K75C	750	BM-2605	KN-163
325iX	2.5L L6 F/I	33-2059 ♦	HP-2005	K75S	750	BM-2605	KN-163
520i	2.0L L6 F/I	33-2059		K100	1000	BM-2605	KN-163
525i	2.5L L6 F/I	33-2059 ♦		K100LT	1000	BM-2605	KN-163
528E	2.7L L6 F/I	33-2059	HP-2005	K100RS	1000	BM-2605	KN-163
530i	3.0L L6 F/I	33-2573 ♦		K100RT	1000	BM-2605	KN-163
535i	3.5L L6 F/I	33-2573 ♦		M3	2.3L L4 F/I	33-2005	
535iS	3.5L L6 F/I	33-2005		M5	3.5L L6 F/I	33-2559	
635CSi	3.5L L6 F/I	33-2005		M535i	3.5L L6 F/I	33-2005	
730i	3.0L L6 F/I	33-2573		M635CSi	3.5L L6 F/I	33-2559	
730iL	3.0L L6 F/I	33-2573		R65	650	BM-0300	KN-161
735i	3.5L L6 F/I	33-2573		R80	800	BM-0300	KN-161
735iL	3.5L L6 F/I	33-2573		R80GS	800	BM-0300	KN-161
750iL	5.0L V12 F/I	33-2059*		R80RT	800	BM-0300	KN-161
K75	750	BM-2605	KN-163	R80ST	800		KN-161
K75C	750	BM-2605	KN-163	R100GS	1000 - w/o oil cooler		KN-161
K75S	750	BM-2605	KN-163	R100RS	1000	BM-0300	
K100	1000	BM-2605	KN-163	R100RS	1000 - w/o oil cooler	BM-0300	KN-161
K100LT	1000	BM-2605	KN-163	R100RT	1000 - w/o oil cooler		KN-161
K100RS	1000	BM-2605	KN-163	<b>1986 BMW</b>			
K100RT	1000	BM-2605	KN-163	316	1.8L L4 CARB	E-2850	
M3	2.3L L4 F/I	33-2005		318i	1.8L L4 F/I	33-2005 ♦	
M5	3.5L L6 F/I - Non-US	33-2078 ♦		320i	2.0L L6 F/I	33-2059 ♦	
M5	3.5L L6 F/I - US	33-2559 ♦		323i	2.3L L6 F/I	33-2005 ♦	
M6	3.5L L6 F/I	33-2559		324d	2.4L L6 DSL	33-2577	
M635CSi	3.5L L6 F/I	33-2559		325e	2.7L L6 F/I	33-2059	HP-2005
R65	650	BM-0300	KN-161	325i	2.5L L6 F/I	33-2059 ♦	
R80	800	BM-0300	KN-161	325iX	2.5L L6 F/I	33-2059 ♦	
R80GS	800		KN-161	520i	2.0L L6 F/I	33-2059	
R80RT	800	BM-0300	KN-161	524td	2.4L L6 DSL	33-2577	
R80ST	800		KN-161	525e	2.7L L6 F/I	33-2059	
R100GS	1000	BM-0300		525i	2.5L L6 F/I	33-2005	
R100GS	1000 - w/o oil cooler	BM-0300	KN-161	528E	2.7L L6 F/I	33-2059	HP-2005
R100RS	1000	BM-0300		528i	2.8L L6 F/I	33-2005	
R100RS	1000 - w/o oil cooler	BM-0300	KN-161	535i	3.5L L6 F/I	33-2005	
R100RT	1000	BM-0300		635CSi	3.5L L6 F/I	33-2005	

\*Indicates 2 filters required

♦ - Intake kit available

Applications updated daily at [knfilters.com](http://knfilters.com) ®

# AIR & OIL FILTERS

# BMW

Vehicle	Engine Type	Air Filter	Oil Filter	Vehicle	Engine Type	Air Filter	Oil Filter
<b>1986 BMW</b>				<b>1984 BMW</b>			
735i	3.5L L6 F/I - Non-US, from 9/86	33-2573		325e	2.7L L6 F/I	33-2005	HP-2005
735i	3.5L L6 F/I - Non-US, to 8/86	33-2005		325i	2.5L L6 F/I	33-2059 ♦	
735i	3.5L L6 F/I - US	33-2005		520i	2.0L L6 F/I	33-2005	
745i	3.5L L6 F/I	33-2005		525e	2.7L L6 F/I	33-2005	
K75C	750	BM-2605	KN-163	525i	2.5L L6 F/I	33-2005	
K75S	750	BM-2605	KN-163	528E	2.7L L6 F/I	33-2005	HP-2005
K75T	750	BM-2605	KN-163	533i	3.2L L6 F/I	33-2005	
K100	1000	BM-2605	KN-163	633CSi	3.2L L6 F/I	33-2005	
K100LT	1000	BM-2605	KN-163	635CSi	3.5L L6 F/I	33-2005	
K100RS	1000	BM-2605	KN-163	K100	1000	BM-2605	KN-163
K100RT	1000	BM-2605	KN-163	K100LT	1000	BM-2605	KN-163
M3	2.3L L4 F/I	33-2005		K100RS	1000	BM-2605	KN-163
M5	3.5L L6 F/I	33-2559		K100RT	1000	BM-2605	KN-163
M535i	3.5L L6 F/I	33-2005		R45	450	BM-0200	KN-161
M635CSi	3.5L L6 F/I	33-2559		R45N	450	BM-0300	KN-161
R65	650	BM-0300	KN-161	R65	650	BM-0300	KN-161
R80	800	BM-0300	KN-161	R65LS	650	BM-0300	KN-161
R80GS	800	BM-0300	KN-161	R80	800	BM-0300	KN-161
R80RT	800	BM-0300	KN-161	R80GS	800	BM-0300	KN-161
R80ST	800	BM-0300	KN-161	R80RT	800	BM-0200	KN-161
R100CS	1000 - w/o oil cooler		KN-161	R80ST	800	BM-0300	KN-161
R100S	1000 - w/o oil cooler		KN-161	R100CS	1000	BM-0300	
<b>1985 BMW</b>				<b>1983 BMW</b>			
316	1.8L L4 CARB	E-2850		316	1.8L L4 CARB	E-2850	
318i	1.8L L4 F/I	33-2005 ♦		318i	1.8L L4 F/I	33-2005 ♦	
320i	2.0L L6 F/I - from 9/85	33-2059 ♦		320i	1.8L L4 F/I	33-2005	
320i	2.0L L6 F/I - to 8/85	33-2005 ♦		320i	2.0L L6 F/I	33-2005 ♦	
323i	2.3L L6 F/I	33-2005 ♦		323i	2.3L L6 F/I	33-2005 ♦	
325e	2.7L L6 F/I	33-2005	HP-2005	528E	2.7L L6 F/I	33-2005	HP-2005
325i	2.5L L6 F/I	33-2059 ♦		533i	3.2L L6 F/I	33-2005	
520i	2.0L L6 F/I - from 9/85	33-2059		633CSi	3.2L L6 F/I	33-2005	
520i	2.0L L6 F/I - to 8/85	33-2005		635CSi	3.5L L6 F/I	33-2005	
524td	2.4L L6 DSL	33-2577		K100	1000	BM-2605	KN-163
525i	2.5L L6 F/I	33-2005		K100LT	1000	BM-2605	KN-163
528E	2.7L L6 F/I	33-2005	HP-2005	K100RS	1000	BM-2605	KN-163
528i	2.8L L6 F/I	33-2005		K100RT	1000	BM-2605	KN-163
535i	3.5L L6 F/I	33-2005		R65	650	BM-0300	KN-161
635CSi	3.5L L6 F/I	33-2005		R65LS	650	BM-0300	KN-161
735i	3.5L L6 F/I	33-2005		R80GS	800	BM-0300	KN-161
745i	3.5L L6 F/I	33-2005		R80RT	800	BM-0200	
K75C	750	BM-2605	KN-163	R80ST	800	BM-0300	KN-161
K100	1000	BM-2605	KN-163	R100	1000	BM-0200	
K100LT	1000	BM-2605	KN-163	R100CS	1000	BM-0300	
K100RS	1000	BM-2605	KN-163	R100CS	1000 - w/o oil cooler	BM-0300	KN-161
K100RT	1000	BM-2605	KN-163	R100RS	1000	BM-0300	
M5	3.5L L6 F/I	33-2559		R100RT	1000	BM-0300	
M535i	3.5L L6 F/I	33-2005		R100S	1000 - w/o oil cooler		KN-161
M635CSi	3.5L L6 F/I	33-2559		R100T	1000	BM-0300	
R45	450	BM-0200	KN-161	<b>1982 BMW</b>			
R45N	450	BM-0300	KN-161	316	1.8L L4 CARB	E-2850	
R65	650	BM-0300	KN-161	318i	1.8L L4 F/I	33-2005 ♦	
R80	800	BM-0300	KN-161	320i	1.8L L4 F/I	33-2005	
R80GS	800	BM-0300	KN-161	320i	2.0L L6 F/I	33-2005 ♦	
R80RT	800	BM-0300	KN-161	323i	2.3L L6 F/I - E21	33-2530 ♦	
R80ST	800	BM-0300	KN-161	323i	2.3L L6 F/I - E30	33-2005 ♦	
R100CS	1000 - w/o oil cooler		KN-161	520i	2.0L L6 F/I	33-2005	
R100S	1000 - w/o oil cooler		KN-161	528i	2.8L L6 F/I	33-2005	
<b>1984 BMW</b>				633CSi	3.2L L6 F/I	33-2005	
316	1.8L L4 CARB	E-2850		635CSi	3.5L L6 F/I	33-2005	
318i	1.8L L4 F/I	33-2005 ♦					
320i	2.0L L6 F/I	33-2005 ♦					
323i	2.3L L6 F/I	33-2005 ♦					

\*Indicates 2 filters required      ♦ - Intake kit available      Applications updated daily at [knfilters.com](http://knfilters.com) ®

**Partial Listing - Complete List of Vehicles and Applications at [knfilters.com](http://knfilters.com)**

# BMW

# AIR & OIL FILTERS

Vehicle	Engine Type	Air Filter	Oil Filter	Vehicle	Engine Type	Air Filter	Oil Filter
<b>1982 BMW</b>				<b>1979 BMW</b>			
R45	450	BM-0200	KN-161	R100CS	1000 - w/o oil cooler	BM-0300	KN-161
R45N	450	BM-0300	KN-161	R100RS	1000	BM-0300	
R65	650	BM-0300	KN-161	R100RT	1000	BM-0300	
R65LS	650	BM-0300	KN-161	R100S	1000	BM-0300	
R80GS	800	BM-0300	KN-161	R100S	1000 - w/o oil cooler	BM-0300	KN-161
R100	1000	BM-0200		R100T	1000	BM-0200	
R100CS	1000	BM-0300		<b>1978 BMW</b>			
R100CS	1000 - w/o oil cooler	BM-0300	KN-161	320/6	2.0L L6 F/I	33-2530	
R100RS	1000	BM-0300		323i	2.3L L6 F/I	33-2530	
R100RT	1000	BM-0300		R45N	450	BM-0300	KN-161
R100S	1000 - w/o oil cooler		KN-161	R60	600	BM-0200	KN-161
R100T	1000	BM-0300		R65	650	BM-0300	KN-161
R100TR	1000	BM-0300		R65LS	650	BM-0300	KN-161
<b>1981 BMW</b>				R75	750	BM-0200	KN-161
316	1.8L L4 CARB	E-2850		R80RT	800	BM-0200	
318i	1.8L L4 F/I	33-2005		R100	1000	BM-0200	
320i	1.8L L4 F/I	33-2005		R100CS	1000	BM-0300	
323i	2.3L L6 F/I	33-2530		R100CS	1000 - w/o oil cooler	BM-0300	KN-161
528i	2.8L L6 F/I	33-2005		R100RS	1000	BM-0300	
R65	650	BM-0300	KN-161	R100RT	1000	BM-0300	
R65LS	650	BM-0300	KN-161	R100S	1000	BM-0300	
R75	750	BM-0200	KN-161	R100S	1000 - w/o oil cooler	BM-0300	KN-161
R80GS	800	BM-0300	KN-161	<b>1977 BMW</b>			
R100	1000	BM-0200		320/6	2.0L L6 F/I	33-2530	
R100CS	1000	BM-0300		R60	600	BM-0200	KN-161
R100CS	1000 - w/o oil cooler	BM-0300	KN-161	R75	750	BM-0200	KN-161
R100RS	1000	BM-0300		R100	1000	BM-0200	
R100RT	1000	BM-0300		R100CS	1000	BM-0300	
R100S	1000 - w/o oil cooler		KN-161	R100CS	1000 - w/o oil cooler	BM-0300	KN-161
R100T	1000	BM-0300		R100RS	1000	BM-0300	
<b>1980 BMW</b>				R100RT	1000	BM-0300	
318i	1.8L L4 F/I	33-2005		R100S	1000	BM-0300	
320i	1.8L L4 F/I	33-2005		R100S	1000 - w/o oil cooler	BM-0300	KN-161
323i	2.3L L6 F/I	33-2530		<b>1976 BMW</b>			
528i	2.8L L6 F/I	33-2005		520i	2.0L L4 F/I	33-2530	
R45	450	BM-0200	KN-161	1502	1.6L L4 CARB	E-2630	
R45N	450	BM-0300	KN-161	2002	2.0L L4 CARB	E-2850	
R65	650	BM-0300	KN-161	2002tii	2.0L L4 F/I	E-2290	
R65LS	650	BM-0300	KN-161	R60	600	BM-0200	KN-161
R75	750	BM-0200	KN-161	R75	750	BM-0200	KN-161
R80GS	800	BM-0300	KN-161	R90	900	BM-0200	KN-161
R80RT	800	BM-0200		R90S	900	BM-0200	KN-161
R80ST	800	BM-0300		R100CS	1000 - w/o oil cooler		KN-161
R100	1000	BM-0200		R100RS	1000	BM-0300	
R100CS	1000	BM-0300		R100S	1000 - w/o oil cooler		KN-161
R100CS	1000 - w/o oil cooler	BM-0300	KN-161	<b>1975 BMW</b>			
R100RS	1000	BM-0300		2002	2.0L L4 CARB - Non-US	E-2630	
R100RT	1000	BM-0300		2002	2.0L L4 CARB - US	E-2850	
R100S	1000	BM-0300		2002tii	2.0L L4 F/I	E-2290	
R100S	1000 - w/o oil cooler	BM-0300	KN-161	R60	600	BM-0200	KN-161
R100T	1000	BM-0300		R75	750	BM-0200	KN-161
R100T Sport	1000	BM-0300		R90	900	BM-0200	KN-161
<b>1979 BMW</b>				R90S	900	BM-0200	KN-161
320/6	2.0L L6 F/I	33-2530		R100S	1000 - w/o oil cooler		KN-161
323i	2.3L L6 F/I	33-2530		<b>1974 BMW</b>			
R45	450	BM-0200	KN-161	2002	2.0L L4 CARB - exc. auto. trans.	E-2630	
R45N	450	BM-0300	KN-161	2002	2.0L L4 CARB - w/auto. trans	E-2850	
R65	650	BM-0300	KN-161	2002	2.0L L4 F/I - exc. auto. trans.	E-2630	
R65LS	650	BM-0300	KN-161				
R80RT	800	BM-0200					
R100	1000	BM-0200					
R100CS	1000	BM-0300					

\*Indicates 2 filters required

◆ - Intake kit available

Applications updated daily at [knfilters.com](http://knfilters.com) ®



# AIR & OIL FILTERS

# BMW

Vehicle	Engine Type	Air Filter	Oil Filter
<b>1974 BMW</b>			
2002	2.0L L4 F/I - w/auto. trans	E-2850	
2002tii	2.0L L4 F/I	E-2290	
R60	600	BM-0200	KN-161
R90S	900	BM-0200	KN-161
R100CS	1000 - w/o oil cooler		KN-161
R100S	1000 - w/o oil cooler		KN-161

Vehicle	Engine Type	Air Filter	Oil Filter
<b>1973 BMW</b>			
3.0CSi	3.0L L6	E-2630*	
3.0CSi	3.0L L6 F/I - until Vin 3223675	33-2530	
2002	2.0L L4 CARB - exc. auto. trans.	E-2630	
2002	2.0L L4 CARB - w/auto. trans	E-2850	
2002	2.0L L4 F/I - exc. auto. trans.	E-2630	
2002	2.0L L4 F/I - w/auto. trans	E-2850	
2002tii	2.0L L4 F/I	E-2290	
R75	750	BM-0200	KN-161
R90S	900	BM-0200	KN-161

Vehicle	Engine Type	Air Filter	Oil Filter
<b>1972 BMW</b>			
2002	2.0L L4 CARB	E-2630	
		E-2850	
2002tii	2.0L L4 F/I	E-2290	
R50/5	500	BM-0200	KN-161
R60	600	BM-0200	KN-161
R75	750	BM-0200	KN-161

Vehicle	Engine Type	Air Filter	Oil Filter
<b>1971 BMW</b>			
2002	2.0L L4 CARB	E-2630	
2002tii	2.0L L4 F/I	E-2630	
R50/5	500	BM-0200	KN-161
R75	750	BM-0200	KN-161

Vehicle	Engine Type	Air Filter	Oil Filter
<b>1970 BMW</b>			
2002ti	2.0L L4 CARB	E-2630	
R75	750	BM-0200	KN-161
R90S	900	BM-0200	KN-161

Vehicle	Engine Type	Air Filter	Oil Filter
<b>1969 BMW</b>			
2002ti	2.0L L4 CARB	E-2630	
R60	600		KN-161

Vehicle	Engine Type	Air Filter	Oil Filter
<b>2006 BOMBARDIER</b>			
DS650	650		KN-152
DS650X	644	BD-6500	KN-152
Outlander 330 H.O. 2x4	330		KN-152
Outlander 330 H.O. 4x4	330		KN-152
Outlander 400 H.O. 4x4	400	BD-3303	KN-152
Outlander 400 H.O. 4x4 XT	400	BD-3303	KN-152
Outlander 650 H.O. EFI	650	BD-6506	KN-152
Outlander 650 H.O. EFI XT	650	BD-6506	KN-152
Outlander 800 H.O. EFI	800	BD-6506	KN-152
Outlander 800 H.O. EFI XT	800	BD-6506	KN-152
Outlander Max 400 H.O. 4x4	400	BD-3303	KN-152
Outlander Max 400 H.O. 4x4 XT	400	BD-3303	KN-152
Outlander Max 650 H.O. EFI	650	BD-6506	KN-152

Vehicle	Engine Type	Air Filter	Oil Filter
<b>2006 BOMBARDIER</b>			
Outlander Max 650 H.O. EFI XT	650	BD-6506	KN-152
Outlander Max 800 H.O. EFI	800	BD-6506	KN-152
Outlander Max 800 H.O. EFI XT	800	BD-6506	KN-152

Vehicle	Engine Type	Air Filter	Oil Filter
<b>2005 BOMBARDIER</b>			
DS650	650	BD-6500	KN-152
DS650X	644	BD-6500	KN-152
Outlander 330 H.O. 2x4	330	BD-3303	KN-152
Outlander 330 H.O. 4x4	330	BD-3303	KN-152
Outlander 400 H.O. 4x4	400	BD-3303	KN-152
Outlander 400 H.O. 4x4 XT	400	BD-3303	KN-152
Outlander Max 400 H.O. 4x4	403	BD-3303	KN-152
Outlander Max 400 H.O. 4x4 XT	400	BD-3303	KN-152
Traxter 500 5 Speed	500	BD-6502	KN-557
Traxter 500 Auto CVT	498	BD-6502	KN-556
Traxter 500 XL	500	BD-6502	KN-557
Traxter 500 XT	500	BD-6502	KN-557
Traxter 650 Auto CVT	650	BD-6502	KN-556
Traxter 650 Auto CVT XT	650	BD-6502	KN-556
Traxter Max 500	500	BD-6502	KN-557
Traxter Max 500 XT	500	BD-6502	KN-557
Traxter Max 650 Auto CVT	650	BD-6502	KN-556
Traxter Max 650 Auto CVT XT	650	BD-6502	KN-556

Vehicle	Engine Type	Air Filter	Oil Filter
<b>2004 BOMBARDIER</b>			
DS650	650	BD-6500	KN-152
DS650 Baja	650	BD-6500	KN-152
Outlander 330 H.O. 2x4	330	BD-3303	KN-152
Outlander 330 H.O. 4x4	330	BD-3303	KN-152
Outlander 400 H.O. 2x4	400	BD-3303	KN-152
Outlander 400 H.O. 4x4	400	BD-3303	KN-152
Outlander 400 H.O. 4x4 XT	400	BD-3303	KN-152
Outlander Max 400 H.O. 4x4	403	BD-3303	KN-152
Outlander Max 400 H.O. 4x4 XT	400	BD-3303	KN-152
Quest 500	495	BD-6502	KN-556
Quest 650	644	BD-6502	KN-556
Quest Max 650	650	BD-6502	KN-556
Traxter 500	500		KN-557
Traxter 500 Auto	498	BD-6502	KN-557
Traxter 500 Auto XT	500	BD-6502	KN-557
Traxter 500 XL	498	BD-6502	KN-557
Traxter 500 XT	500		KN-557
Traxter Max 500	498	BD-6502	KN-557
Traxter Max 500 XT	500	BD-6502	KN-557

Vehicle	Engine Type	Air Filter	Oil Filter
<b>2003 BOMBARDIER</b>			
DS650	644	BD-6500	KN-152
DS650 Baja	644	BD-6500	KN-152
Outlander 330 H.O. 2x4	330	BD-3303	KN-152

\*Indicates 2 filters required    ♦ - Intake kit available    Applications updated daily at [knfilters.com](http://knfilters.com) ®

**Partial Listing - Complete List of Vehicles and Applications at [knfilters.com](http://knfilters.com)**

# BOMBARDIER

# AIR & OIL FILTERS

Vehicle	Engine Type	Air Filter	Oil Filter
<b>2003 BOMBARDIER</b>			
Outlander 330 H.O. 4x4	330	BD-3303	KN-152
Outlander 400 H.O. 2x4	400	BD-3303	KN-152
Outlander 400 H.O. 4x4	400	BD-3303	KN-152
Outlander 400 H.O. 4x4 XT	400	BD-3303	KN-152
Quest 650	644	BD-6502	KN-556
Quest 650 XT	650		KN-556
Traxter 500	500		KN-557
Traxter 500 Autoshift	498	BD-6502	KN-557
Traxter 500 Autoshift XT	500	BD-6502	KN-557
Traxter 500 XL	498	BD-6502	KN-557
Traxter 500 XT	500		KN-557
Traxter Max 500	498	BD-6502	KN-557

<b>2002 BOMBARDIER</b>			
DS650	644	BD-6500	KN-152
DS650 Baja	644	BD-6500	KN-152
Quest 650	644	BD-6502	KN-556
Quest 650 XT	650		KN-556
Traxter 500	500		KN-557
Traxter 500 Autoshift	498	BD-6502	KN-557
Traxter 500 XL	498		KN-557
Traxter 500 XT	500	BD-6502	KN-557

<b>2001 BOMBARDIER</b>			
DS650	644	BD-6500	KN-152
Traxter 500	498		KN-557
Traxter 500 Autoshift	500	BD-6502	KN-557
Traxter 500 Footshift	500	BD-6502	KN-557
Traxter 500 XL	498		KN-557
Traxter 500 XT	500	BD-6502	KN-557

<b>2000 BOMBARDIER</b>			
DS650	644	BD-6500	KN-151
Traxter 500	498		KN-557
Traxter 500 XL	498		KN-557
Traxter 500 XT	500		KN-557

<b>1999 BOMBARDIER</b>			
Traxter 500	498		KN-557
Traxter 500 XL	500		KN-557
Traxter 500 XT	500		KN-557

<b>2010 BUELL</b>			
1125CR	1125	BU-1108	
1125R	1125	BU-1108	
Blast	500	BU-5000	
Firebolt XB12R	1168	BU-9003	
Lightning CityX XB9SX	900	BU-9003	
Lightning Long XB12SS	1200	BU-9003	
Lightning XB12SCG	1200	BU-9003	
Ulysses Police XB12XP	1200	BU-9003	
Ulysses XB12X	1200	BU-9003	
Ulysses XB12XT	1200	BU-9003	

<b>2009 BUELL</b>			
1125CR	1125	BU-1108	KN-564
1125R	1125	BU-1108	KN-564
Blast	500	BU-5000	KN-177
Firebolt XB12R	1168	BU-9003	KN-177
Lightning CityX XB9SX	900	BU-9003	KN-177

Vehicle	Engine Type	Air Filter	Oil Filter
<b>2009 BUELL</b>			
Lightning Long XB12SS	1200	BU-9003	KN-177
Lightning XB12SCG	1200	BU-9003	KN-177
Ulysses Police XB12XP	1200	BU-9003	KN-177
Ulysses XB12X	1168	BU-9003	KN-177
Ulysses XB12XT	1168	BU-9003	KN-177

<b>2008 BUELL</b>			
1125R	1125	BU-1108	
Blast	480	BU-5000	KN-177
Firebolt XB12R	1168	BU-9003	KN-177
Lightning CityX XB9SX	900		KN-177
Lightning Long XB12SS	1200	BU-9003	KN-177
Lightning XB9SX	900	BU-9003	KN-177
Lightning XB12S	1200	BU-9003	KN-177
Lightning XB12SCG	1200	BU-9003	KN-177
Lightning XB12STT	1200	BU-9003	KN-177
Ulysses XB12X	1168	BU-9003	KN-177
Ulysses XB12XT	1168	BU-9003	KN-177

<b>2007 BUELL</b>			
Blast	480	BU-5000	KN-177
Firebolt XB9R	961	BU-9003	KN-177
Firebolt XB12R	1168	BU-9003	KN-177
Lightning CityX XB9SX	900	BU-9003	KN-177
Lightning Long XB12SS	1200	BU-9003	KN-177
Lightning XB12S	1200	BU-9003	KN-177
Lightning XB12SCG	1200	BU-9003	KN-177
Ulysses XB12X	1168	BU-9003	KN-177

<b>2006 BUELL</b>			
Blast	480	BU-5000	KN-177
Firebolt XB9R	961	BU-9003	KN-177
Firebolt XB12R	1168	BU-9003	KN-177
Lightning CityX XB9SX	900	BU-9003	KN-177
Lightning Long XB12SS	1200	BU-9003	KN-177
Lightning XB12S	1200	BU-9003	KN-177
Lightning XB12SCG	1200	BU-9003	KN-177
Ulysses XB12X	1168	BU-9003	KN-177

<b>2005 BUELL</b>			
Blast	480	BU-5000	KN-177
Firebolt XB9R	961	BU-9003	KN-177
Firebolt XB12R	1168	BU-9003	KN-177
Lightning CityX XB9SX	900	BU-9003	KN-177
Lightning XB12S	1200	BU-9003	KN-177
Lightning XB12SCG	1200	BU-9003	KN-177

<b>2004 BUELL</b>			
Blast	480	BU-5000	KN-177
Firebolt XB9R	961	BU-9003	KN-177
Firebolt XB12R	1168	BU-9003	KN-177
Lightning XB9S	900	BU-9003	KN-177
Lightning XB12S	1200	BU-9003	KN-177

<b>2003 BUELL</b>			
Blast	480	BU-5000	KN-177
Firebolt XB9R	961	BU-9003	KN-177
Lightning XB9S	900	BU-9003	KN-177

\*Indicates 2 filters required

◆ - Intake kit available

Applications updated daily at [knfilters.com](http://knfilters.com) ®

# AIR & OIL FILTERS

# BUELL

Vehicle	Engine Type	Air Filter	Oil Filter
<b>2002 BUELL</b>			
Blast	480	BU-5000	KN-177
Firebolt XB9R	1131	BU-9003	KN-177
M2 Cyclone	1168	BU-1297	KN-171B
		BU-1297	KN-171C
S1 Lightning	1200	BU-1297	KN-177
S1 White Lightning	1200	BU-1297	KN-171B
		BU-1297	KN-171C
S2 Thunderbolt	1200	BU-1297	KN-177
S2T Thunderbolt	1200	BU-1297	KN-177
S3 Thunderbolt	1168	BU-1297	KN-177
S3T Thunderbolt	1168	BU-1297	KN-177
X1 Lightning	1200	BU-1297	KN-171B
		BU-1297	KN-171C

<b>2001 BUELL</b>			
Blast	480	BU-5000	KN-177
M2 Cyclone	1168	BU-1297	KN-171B
		BU-1297	KN-171C
M2 Cyclone Low	1200	BU-1297	KN-171B
		BU-1297	KN-171C
S1 Lightning	1200	BU-1297	KN-177
S2 Thunderbolt	1200	BU-1297	KN-177
S2T Thunderbolt	1200	BU-1297	KN-177
S3 Thunderbolt	1168	BU-1297	KN-177
S3T Thunderbolt	1168	BU-1297	KN-177
X1 Lightning	1200	BU-1297	KN-171B
		BU-1297	KN-171C

<b>2000 BUELL</b>			
Blast	480	BU-5000	KN-177
M2 Cyclone	1168	BU-1297	KN-171B
		BU-1297	KN-171C
S1 Lightning	1200	BU-1297	KN-177
S2 Thunderbolt	1200	BU-1297	KN-177
S2T Thunderbolt	1200	BU-1297	KN-177
S3 Thunderbolt	1168	BU-1297	KN-177
S3T Thunderbolt	1168	BU-1297	KN-177
X1 Lightning	1200	BU-1297	KN-171B
		BU-1297	KN-171C

<b>1999 BUELL</b>			
M2 Cyclone	1168	BU-1297	KN-171B
		BU-1297	KN-171C
S1 Lightning	1168	BU-1297	KN-171B
		BU-1297	KN-171C
S2 Thunderbolt	1200	BU-1297	KN-171B
		BU-1297	KN-171C
S2T Thunderbolt	1200	BU-1297	KN-171B
		BU-1297	KN-171C
S3 Thunderbolt	1168	BU-1297	KN-171B
		BU-1297	KN-171C
S3T Thunderbolt	1168	BU-1297	KN-171B
		BU-1297	KN-171C
X1 Lightning	1200	BU-1297	KN-171B
		BU-1297	KN-171C

<b>1998 BUELL</b>			
M2 Cyclone	1168	BU-1297	KN-171B
		BU-1297	KN-171C
S1 Lightning	1168	BU-1297	KN-171B
		BU-1297	KN-171C
S1 White Lightning	1200	BU-1297	KN-171B
		BU-1297	KN-171C
S2 Thunderbolt	1200	BU-1297	KN-171B
		BU-1297	KN-171C
S2T Thunderbolt	1200	BU-1297	KN-171B
		BU-1297	KN-171C

Vehicle	Engine Type	Air Filter	Oil Filter
<b>1998 BUELL</b>			
S2T Thunderbolt	1200		KN-171C
S3 Thunderbolt	1168	BU-1297	KN-171B
		BU-1297	KN-171C
S3T Thunderbolt	1168	BU-1297	KN-171B
		BU-1297	KN-171C

<b>1997 BUELL</b>			
M2 Cyclone	1168	BU-1297	KN-171B
		BU-1297	KN-171C
S1 Lightning	1168	BU-1297	KN-171B
		BU-1297	KN-171C
S2 Thunderbolt	1200		KN-171B
			KN-171C
S2T Thunderbolt	1200		KN-171B
			KN-171C
S3 Thunderbolt	1168	BU-1297	KN-171B
		BU-1297	KN-171C
S3T Thunderbolt	1168	BU-1297	KN-171B
		BU-1297	KN-171C

<b>1996 BUELL</b>			
S1 Lightning	1168	BU-1297	KN-171B
		BU-1297	KN-171C
S2 Thunderbolt	1168		KN-171B
			KN-171C
S2T Thunderbolt	1168		KN-171B
			KN-171C
S3 Thunderbolt	1168		KN-171B
			KN-171C
S3T Thunderbolt	1168		KN-171B
			KN-171C

<b>1995 BUELL</b>			
S1 Lightning	1168		KN-171B
			KN-171C
S2 Thunderbolt	1168		KN-171B
			KN-171C
S2T Thunderbolt	1168		KN-171B
			KN-171C
S3 Thunderbolt	1200		KN-171B
			KN-171C
S3T Thunderbolt	1200		KN-171B
			KN-171C

<b>1994 BUELL</b>			
S1 Lightning	1168		KN-171B
			KN-171C
S2 Thunderbolt	1168		KN-171B
			KN-171C
S2T Thunderbolt	1168		KN-171B
			KN-171C
S3 Thunderbolt	1200		KN-171B
			KN-171C
S3T Thunderbolt	1200		KN-171B
			KN-171C

<b>2011 BUICK</b>			
Enclave	3.6L V6 F/I	33-2394	HP-2011
LaCrosse	2.4L L4 F/I	33-2442	
LaCrosse	3.6L V6 F/I	33-2442	HP-2011
Lucerne	3.9L V6 F/I	33-2296	HP-2006
Lucerne	4.6L V8 F/I	33-2296	HP-2006
Regal	2.4L L4 F/I	33-2442	

<b>2010 BUICK</b>			
Enclave	3.6L V6 F/I	33-2394	HP-1017
LaCrosse	2.4L L4 F/I	33-2442	

\*Indicates 2 filters required      ♦ - Intake kit available      Applications updated daily at [knfilters.com](http://knfilters.com) ®

**Partial Listing - Complete List of Vehicles and Applications at [knfilters.com](http://knfilters.com)**

# BUICK

# AIR & OIL FILTERS

Vehicle	Engine Type	Air Filter	Oil Filter
<b>2010 BUICK</b>			
LaCrosse	3.0L V6 F/I	33-2442	HP-1017
LaCrosse	3.6L V6 F/I	33-2442	HP-1017
Lucerne	3.9L V6 F/I	33-2296	HP-2006
Lucerne	4.6L V8 F/I	33-2296	HP-2006
<b>2009 BUICK</b>			
Allure	3.8L V6 F/I		HP-1001
Allure	5.3L V8 F/I		HP-1017
Enclave	3.6L V6 F/I	33-2394	HP-1017
LaCrosse	3.8L V6 F/I	33-2316	HP-1001
LaCrosse	5.3L V8 F/I		HP-1017
Lucerne	3.9L V6 F/I	33-2296	HP-2006
Lucerne	4.6L V8 F/I	33-2296	HP-2006
<b>2008 BUICK</b>			
Allure	3.6L V6 F/I	33-2316	HP-1017
Allure	3.8L V6 F/I	33-2316	HP-1001
Allure	5.3L V8 F/I		HP-1017
Enclave	3.6L V6 F/I	33-2394	HP-1017
LaCrosse	3.6L V6 F/I	33-2316	HP-2006
LaCrosse	3.8L V6 F/I	33-2316	HP-1001
LaCrosse	5.3L V8 F/I	33-2334	HP-1017
Lucerne	3.8L V6 F/I	33-2296	HP-1001
Lucerne	4.6L V8 F/I	33-2296	HP-2006
Rainier	5.3L V8 F/I	E-1009	HP-1017
Terraza	3.9L V6 F/I		HP-2006
<b>2007 BUICK</b>			
Allure	3.6L V6 F/I	33-2316	HP-1017
Allure	3.8L V6 F/I	33-2316	HP-1001
LaCrosse	3.6L V6 F/I	33-2316	HP-2006
LaCrosse	3.8L V6 F/I	33-2316	HP-1001
Lucerne	3.8L V6 F/I	33-2296	HP-1001
Lucerne	4.6L V8 F/I	33-2296	HP-2006
Rainier	4.2L L6 F/I	E-1009	HP-2006
Rainier	5.3L V8 F/I	E-1009	HP-1017
Rendezvous	3.5L V6 F/I	33-2318	HP-1001
Terraza	3.9L V6 F/I	33-2318	HP-2006
<b>2006 BUICK</b>			
Allure	3.6L V6 F/I		HP-2006
Allure	3.8L V6 F/I		HP-1001
LaCrosse	3.6L V6 F/I	33-2316	HP-2006
LaCrosse	3.8L V6 F/I	33-2316	HP-1001
Lucerne	3.8L V6 F/I	33-2296	HP-1001
Lucerne	4.6L V8 F/I	33-2296	HP-2006
Rainier	4.2L L6 F/I	E-1009	HP-2006
Rainier	5.3L V8 F/I	E-1009	HP-1007
Rendezvous	3.5L V6 F/I	33-2318	HP-1001
Rendezvous	3.6L V6 F/I	33-2318	HP-2006
Terraza	3.5L V6 F/I	33-2318	HP-1001
Terraza	3.9L V6 F/I	33-2318	HP-2006
<b>2005 BUICK</b>			
Allure	3.6L V6 F/I		HP-2006
Allure	3.8L V6 F/I		HP-1001
Century	3.1L V6 F/I	33-2141-1	HP-1001
LaCrosse	3.6L V6 F/I	33-2316	HP-2006
LaCrosse	3.8L V6 F/I	33-2316	HP-1001
LeSabre	3.8L V6 F/I	33-2141-1	HP-1001
Park Avenue	3.8L V6 F/I	33-2086	HP-1001
Rainier	4.2L L6 F/I	E-1009	HP-2006
Rainier	5.3L V8 F/I	E-1009	HP-1007
Rendezvous	3.4L V6 F/I	33-2156	HP-1001
Rendezvous	3.6L V6 F/I	33-2318	HP-2006
Terraza	3.5L V6 F/I	33-2318	HP-1001

Vehicle	Engine Type	Air Filter	Oil Filter
<b>2004 BUICK</b>			
Century	3.1L V6 F/I	33-2141-1	HP-1001
LeSabre	3.8L V6 F/I	33-2141-1	HP-1001
Park Avenue	3.8L V6 F/I	33-2086	HP-1001
Rainier	4.2L L6 F/I	E-1009	HP-2006
Rainier	5.3L V8 F/I	E-1009	HP-1007
Regal	3.8L V6 F/I	33-2141-1	HP-1001
Rendezvous	3.4L V6 F/I	33-2156	HP-1001
Rendezvous	3.6L V6 F/I		HP-2006
<b>2003 BUICK</b>			
Century	3.1L V6 F/I	33-2141-1	HP-1001
LeSabre	3.8L V6 F/I	33-2141-1	HP-1001
Park Avenue	3.8L V6 F/I	33-2086	HP-1001
Regal	3.8L V6 F/I	33-2141-1	HP-1001
Rendezvous	3.4L V6 F/I	33-2156	HP-1001
<b>2002 BUICK</b>			
Century	3.1L V6 F/I	33-2141-1	HP-1001
LeSabre	3.8L V6 F/I	33-2141-1	HP-1001
Park Avenue	3.8L V6 F/I	33-2086	HP-1001
Regal	3.8L V6 F/I	33-2141-1	HP-1001
Rendezvous	3.4L V6 F/I	33-2156	HP-1001
<b>2001 BUICK</b>			
Century	3.1L V6 F/I	33-2141-1	HP-1001
GL8	3.0L V6 F/I - China	33-2063-1	
LeSabre	3.8L V6 F/I	33-2141-1	HP-1001
Park Avenue	3.8L V6 F/I	33-2086	HP-1001
Regal	3.8L V6 F/I	33-2141-1	HP-1001
<b>2000 BUICK</b>			
Century	3.1L V6 F/I	33-2141-1	HP-1001
LeSabre	3.8L V6 F/I	33-2141-1	HP-1001
Park Avenue	3.8L V6 F/I	33-2086	HP-1001
Regal	3.0L V6 F/I	33-2141-1	
Regal	3.8L V6 F/I	33-2141-1	HP-1001
<b>1999 BUICK</b>			
Century	3.1L V6 F/I	33-2141-1	HP-1001
LeSabre	3.8L V6 F/I	33-2086	HP-1001
Park Avenue	3.8L V6 F/I	33-2086	HP-1001
Regal	3.8L V6 F/I	33-2141-1	HP-1001
Riviera	3.8L V6 F/I	33-2250	HP-1001
<b>1998 BUICK</b>			
Century	3.1L V6 F/I	33-2063-1	HP-1001
LeSabre	3.8L V6 F/I	33-2086	HP-1001
Park Avenue	3.8L V6 F/I	33-2086	HP-1001
Regal	3.8L V6 F/I	33-2063-1	HP-1001
Riviera	3.8L V6 F/I	33-2250	HP-1001
Skylark	2.4L L4 F/I		HP-1007
Skylark	3.1L V6 F/I	33-2068	HP-1001
<b>1997 BUICK</b>			
Century	3.1L V6 F/I	33-2063-1	HP-1001
LeSabre	3.8L V6 F/I	33-2086	HP-1001
Park Avenue	3.8L V6 F/I	33-2086	HP-1001
Regal	3.8L V6 F/I	33-2063-1	HP-1001
Riviera	3.8L V6 F/I	33-2086	HP-1001
Skylark	2.4L L4 F/I	33-2068	HP-1007
Skylark	3.1L V6 F/I	33-2068	HP-1001
<b>1996 BUICK</b>			
Century	2.2L L4 F/I	E-0850	HP-1001
Century	3.1L V6 F/I	E-0890	HP-1001
LeSabre	3.8L V6 F/I	33-2086	HP-1001
Park Avenue	3.8L V6 F/I	33-2086	HP-1001
Regal	3.1L V6 F/I	33-2063-1	HP-1001

\*Indicates 2 filters required

◆ - Intake kit available

Applications updated daily at [knfilters.com](http://knfilters.com) ®

# AIR & OIL FILTERS

# BUICK

Vehicle	Engine Type	Air Filter	Oil Filter
<b>1996 BUICK</b>			
Regal	3.8L V6 F/I	33-2063-1	HP-1001
Riviera	3.8L V6 F/I	33-2086	HP-1001
Roadmaster	5.7L V8 F/I	33-2057	HP-2001
Skylark	2.4L L4 F/I	33-2068	HP-1007
Skylark	3.1L V6 F/I	33-2068	HP-1001
<b>1995 BUICK</b>			
Century	2.2L L4 F/I	E-0850	HP-1001
Century	3.1L V6 F/I	E-0890	HP-1001
LeSabre	3.8L V6 F/I	33-2086	HP-1001
Park Avenue	3.8L V6 F/I	33-2086	HP-1001
Regal	3.1L V6 F/I	33-2063-1	HP-1001
Regal	3.8L V6 F/I	33-2063-1	HP-1001
Riviera	3.8L V6 F/I	33-2086	HP-1001
Roadmaster	5.7L V8 F/I	33-2057	HP-2001
Skylark	2.3L L4 F/I	33-2068	HP-1001
Skylark	3.1L V6 F/I	33-2068	HP-1001
<b>1994 BUICK</b>			
Century	2.2L L4 F/I	E-0850	HP-1001
Century	3.1L V6 F/I	E-0890	HP-1001
LeSabre	3.8L V6 F/I	33-2086	HP-1001
Park Avenue	3.8L V6 F/I		HP-1001
Regal	3.1L V6 F/I	33-2063-1	HP-1001
Regal	3.8L V6 F/I	33-2063-1	HP-1001
Roadmaster	5.7L V8 F/I	33-2057	HP-2001
Skylark	2.3L L4 F/I	33-2068	HP-1001
Skylark	3.1L V6 F/I	33-2068	HP-1001
<b>1993 BUICK</b>			
Century	2.2L L4 F/I	E-0850	HP-1001
Century	3.3L V6 F/I	33-2022	HP-1001
LeSabre	3.8L V6 F/I	33-2086	HP-1001
Park Avenue	3.8L V6 F/I		HP-1001
Regal	3.1L V6 F/I	33-2038	HP-2001
Regal	3.8L V6 F/I	E-0890	HP-1001
Riviera	3.8L V6 F/I	33-2022	HP-1001
Roadmaster	5.7L V8 F/I	33-2051	HP-2002
Skylark	3.3L V6 F/I	33-2022	HP-1001
<b>1992 BUICK</b>			
Century	2.5L L4 F/I	E-1015	
Century	3.3L V6 F/I	33-2022	HP-1001
LeSabre	3.8L V6 F/I	33-2086	HP-1001
Park Avenue	3.8L V6 F/I		HP-1001
Regal	3.1L V6 F/I	33-2038	HP-2001
Regal	3.8L V6 F/I	E-0890	HP-1001
Riviera	3.8L V6 F/I	33-2022	HP-1001
Roadmaster	5.7L V8 F/I	33-2051	HP-2002
Skylark	2.3L L4 F/I	33-2022	HP-1001
Skylark	3.3L V6 F/I	33-2022	HP-1001
<b>1991 BUICK</b>			
Century	2.5L L4 F/I	E-1015	
Century	3.3L V6 F/I	33-2022	HP-1001
LeSabre	3.8L V6 F/I	33-2022	HP-1001
Park Avenue	3.8L V6 F/I		HP-1001
Reatta	3.8L V6 F/I	33-2022	HP-1001
Regal	3.1L V6 F/I	33-2038	HP-2001
Regal	3.8L V6 F/I	E-0890	HP-1001
Riviera	3.8L V6 F/I	33-2022	HP-1001
Roadmaster	5.0L V8 F/I	33-2051	HP-2002
Skylark	2.5L L4 F/I	E-1015	
Skylark	3.3L V6 F/I	33-2022	HP-1001
<b>1990 BUICK</b>			
Century	2.5L L4 F/I	E-1015	

Vehicle	Engine Type	Air Filter	Oil Filter
<b>1990 BUICK</b>			
Century	3.3L V6 F/I	33-2022	HP-1001
Electra	3.8L V6 F/I	33-2022	HP-1001
LeSabre	3.8L V6 F/I	33-2022	HP-1001
LeSabre	5.0L V8 CARB	E-1500	HP-2006
Reatta	3.8L V6 F/I	33-2022	HP-1001
Regal	3.1L V6 F/I	33-2038	HP-2001
Regal	3.8L V6 F/I	E-0890	HP-1001
Riviera	3.8L V6 F/I	33-2022	HP-1001
Skylark	2.5L L4 F/I	E-1015	
Skylark	3.3L V6 F/I	33-2022	HP-1001
<b>1989 BUICK</b>			
Century	2.8L V6 F/I	E-0850	HP-2001
Century	3.3L V6 F/I	33-2022	HP-1001
Electra	3.8L V6 F/I	33-2022	HP-1001
LeSabre	3.8L V6 F/I	33-2022	HP-1001
Reatta	3.8L V6 F/I	33-2022	HP-1001
Regal	2.8L V6 F/I	33-2038	HP-2001
Regal	3.1L V6 F/I	33-2038	HP-2001
Riviera	3.8L V6 F/I	33-2022	HP-1001
Skyhawk	2.0L L4 F/I		HP-2001
Skylark	3.3L V6 F/I	33-2022	HP-1001
<b>1988 BUICK</b>			
Century	2.8L V6 F/I	E-0850	HP-2001
Century	3.8L V6 F/I	E-0870	HP-1001
Electra	3.8L V6 F/I	33-2022	HP-1001
Estate Wagon	5.0L V8 CARB	E-1500	HP-2006
LeSabre	3.8L V6 F/I	33-2022	HP-1001
Reatta	3.8L V6 F/I	33-2022	HP-1001
Regal	2.8L V6 F/I	E-0850	HP-2001
Riviera	3.8L V6 F/I	33-2022	HP-1001
Skyhawk	2.0L L4 F/I - VIN 1	E-1015	HP-2001
Skyhawk	2.0L L4 F/I - VIN K	E-1015	HP-1001
<b>1987 BUICK</b>			
Century	2.8L V6 F/I	E-0850	HP-2001
Century	3.8L V6 F/I	E-0870	HP-1001
LeSabre	3.8L V6 F/I	33-2022	HP-1001
Regal	3.8L V6 CARB	E-1150	HP-1001
Regal	3.8L V6 F/I	E-0870	HP-1001
Regal	5.0L V8 CARB	E-1500	HP-2006
Riviera	3.8L V6 F/I	33-2022	HP-1001
<b>1986 BUICK</b>			
Century	2.8L V6 CARB	E-1950	HP-1001
Century	3.8L V6 F/I	E-0870	HP-1001
LeSabre	3.8L V6 F/I	33-2022	HP-1001
LeSabre	5.0L V8 CARB	E-1500	HP-2006
Regal	3.8L V6 CARB	E-1150	HP-1001
Regal	3.8L V6 F/I	E-0870	HP-1001
Regal	5.0L V8 CARB	E-1500	HP-2006
Riviera	3.8L V6 F/I	33-2022	HP-1001
<b>1985 BUICK</b>			
Century	2.8L V6 CARB		HP-1001
Century	3.8L V6 F/I	E-0870	HP-1001
Century	4.3L V6 DSL	E-1577	HP-2001
Electra	3.8L V6 F/I	E-0870	HP-1001
Electra	4.3L V6 DSL	E-1577	HP-2001
LeSabre	3.8L V6 CARB	E-1150	HP-1001
LeSabre	5.0L V8 CARB	E-1500	HP-2006
LeSabre	5.7L V8 DSL	E-1690	HP-2006
Regal	3.8L V6 CARB	E-1150	HP-1001
Regal	3.8L V6 F/I	E-0870	HP-1001
Regal	5.0L V8 CARB		HP-2006

\*Indicates 2 filters required

◆ - Intake kit available

Applications updated daily at [knfilters.com](http://knfilters.com) ®

**Partial Listing - Complete List of Vehicles and Applications at [knfilters.com](http://knfilters.com)**

# BUICK

# AIR & OIL FILTERS

Vehicle	Engine Type	Air Filter	Oil Filter
<b>1985 BUICK</b>			
Regal	5.7L V8 DSL		HP-2006
Riviera	3.8L V6 F/I	E-0870	HP-1001
Riviera	5.0L V8 CARB	E-1450	HP-2006
Riviera	5.7L V8 DSL	E-1650	HP-2006
Skyhawk	1.8L L4 F/I - Turbo	E-0770	HP-1001
Somerset Regal	2.5L L4 F/I	E-1015	HP-1001

Vehicle	Engine Type	Air Filter	Oil Filter
<b>1984 BUICK</b>			
Century	2.5L L4 F/I	E-1015	HP-1001
Century	4.3L V6 DSL	E-1577	HP-2001
Electra	5.0L V8 CARB	E-1500	HP-2006
LeSabre	5.0L V8 CARB	E-1500	HP-2006
LeSabre	5.7L V8 DSL	E-1690	HP-2006
Regal	3.8L V6 CARB	E-1150	HP-1001
Regal	3.8L V6 F/I	E-0870	HP-1001
Regal	4.1L V6 CARB	E-1450	HP-1001
Regal	4.3L V6 DSL	E-1690	HP-2001
Regal	5.0L V8 CARB		HP-2002
Riviera	3.8L V6 F/I	E-0870	HP-1001
Riviera	5.0L V8 CARB	E-1450	HP-2006
Riviera	5.7L V8 DSL	E-1650	HP-2006

Vehicle	Engine Type	Air Filter	Oil Filter
<b>1983 BUICK</b>			
Electra	5.0L V8 CARB	E-1500	HP-2006
Estate Wagon	5.0L V8 CARB	E-1500	HP-2006
LeSabre	307 V8 CARB	E-1500	HP-2006
Regal	3.8L V6 2 BBL.	E-1150	HP-1001
Regal	3.8L V6 4 BBL.	E-0870	HP-1001
Regal	4.1L V6 CARB	E-1450	HP-1001
Regal	4.3L V6 DSL	E-1690	HP-2001
Regal	5.7L V8 DSL	E-1690	HP-2006
Riviera	5.0L V8 CARB	E-1450	HP-2006
Riviera	5.7L V8 DSL	E-1650	HP-2006

Vehicle	Engine Type	Air Filter	Oil Filter
<b>1982 BUICK</b>			
Century	4.3L V6 DSL	E-1577	HP-2001
Electra	4.1L V6 CARB	E-1150	HP-1001
LeSabre	3.8L V6 CARB	E-1150	HP-1001
LeSabre	4.1L V6 CARB	E-1150	HP-1001
LeSabre	4.4L V8 CARB		HP-2002
LeSabre	5.0L V8 CARB	E-1500	HP-2006
Regal	3.8L V6 2 BBL.	E-1150	HP-1001
Regal	3.8L V6 4 BBL.	E-0870	HP-1001
Regal	5.0L V8 CARB	E-1500	HP-2006
Riviera	5.0L V8 CARB	E-1450	HP-2006

Vehicle	Engine Type	Air Filter	Oil Filter
<b>1981 BUICK</b>			
Regal	3.8L V6 2 BBL.	E-1150	HP-1001
Regal	3.8L V6 4 BBL.	E-0870	HP-1001
Regal	4.3L V8 CARB	E-1410	HP-1001

Vehicle	Engine Type	Air Filter	Oil Filter
<b>1980 BUICK</b>			
Electra	350 V8 CARB - VIN R	E-1500	HP-2006
Electra	350 V8 CARB - VIN X	E-1500	HP-2003
Electra	350 V8 DSL	E-1690	HP-2006
LeSabre	350 V8 CARB - VIN R	E-1500	HP-2006
LeSabre	350 V8 CARB - VIN X	E-1500	HP-2003
LeSabre	350 V8 DSL	E-1690	HP-2006
Regal	231 V6 2 BBL.	E-1150	HP-1001
Regal	231 V6 4 BBL.	E-0870	HP-1001
Regal	305 V8 CARB	E-1500	HP-2002
Skylark	173 V6 CARB	E-1950	HP-2001

Vehicle	Engine Type	Air Filter	Oil Filter
<b>1979 BUICK</b>			
Electra	350 V8 CARB - VIN R	E-1650	HP-2006
Electra	350 V8 CARB - VIN X	E-1500	HP-2003
Electra	403 V8 CARB	E-1650	HP-2006

Vehicle	Engine Type	Air Filter	Oil Filter
<b>1979 BUICK</b>			
Estate Wagon	350 V8 CARB - VIN R	E-1650	
LeSabre	350 V8 CARB - VIN R	E-1650	HP-2006
LeSabre	350 V8 CARB - VIN X	E-1500	HP-2003
Regal	196 V6 CARB	E-1150	HP-1001
Regal	231 V6 CARB - VIN 2	E-1150	HP-1001
Regal	231 V6 CARB - VIN 3	E-0870	HP-1001
Regal	231 V6 CARB - VIN A	E-1150	HP-1001
Regal	301 V8 CARB		HP-1001
Regal	305 V8 CARB		HP-2002
Riviera	350 V8 CARB	E-1650	HP-2006
Skylark	305 V8 CARB	E-1150	HP-2002
Skylark	350 V8 CARB	E-1500	HP-2002

Vehicle	Engine Type	Air Filter	Oil Filter
<b>1978 BUICK</b>			
Regal	231 V6 CARB - exc. Turbo	E-1450	HP-1001
Regal	231 V6 CARB - Turbo	E-0870	HP-1001
Regal	305 V8 CARB		HP-2002
Riviera	403 V8 CARB	E-1650	HP-2006
Skylark	231 V6 CARB	E-1150	HP-1001
Skylark	305 V8 CARB	E-1450	HP-2002
Skylark	350 V8 CARB	E-1500	HP-2002

Vehicle	Engine Type	Air Filter	Oil Filter
<b>1977 BUICK</b>			
Electra	350 V8 CARB		HP-2003
Electra	350 V8 CARB - VIN J	E-1500	HP-2003
Electra	350 V8 CARB - VIN R	E-1650	HP-2003
Electra	403 V8 CARB	E-1650	HP-2003
LeSabre	350 V8 CARB - VIN H	E-1450	HP-2003
LeSabre	350 V8 CARB - VIN J	E-1450	HP-2003
LeSabre	350 V8 CARB - VIN R	E-1650	HP-2003
LeSabre	403 V8 CARB	E-1650	HP-2003
Regal	350 V8 CARB - VIN H	E-1450	HP-2003
Regal	350 V8 CARB - VIN J	E-1450	HP-2003
Regal	350 V8 CARB - VIN L	E-1500	HP-2002
Regal	350 V8 CARB - VIN R	E-1650	HP-2003
Riviera	350 V8 CARB - VIN J	E-1500	HP-2003
Riviera	350 V8 CARB - VIN R	E-1650	HP-2003

Vehicle	Engine Type	Air Filter	Oil Filter
<b>1976 BUICK</b>			
Electra	455 V8 CARB	E-1650	HP-2003
LeSabre	350 V8 CARB	E-1450	HP-2003
Regal	350 V8 CARB		HP-2003
Riviera	455 V8 CARB	E-1650	HP-2003
Skylark	260 V8 CARB	E-1500	HP-2003

Vehicle	Engine Type	Air Filter	Oil Filter
<b>1975 BUICK</b>			
Electra	455 V8 CARB	E-1650	HP-2003

Vehicle	Engine Type	Air Filter	Oil Filter
<b>1974 BUICK</b>			
Apollo	350 V8 CARB - GS Series	E-1650	
Century	350 V8 CARB - GS Series	E-1650	
Electra	455 V8 CARB	E-1650	HP-2003
LeSabre	455 V8 CARB	E-1650	HP-2003
Riviera	455 V8 CARB	E-1650	HP-2003

Vehicle	Engine Type	Air Filter	Oil Filter
<b>1973 BUICK</b>			
Apollo	350 V8 CARB	E-1450	HP-2003
Centurion	350 V8 CARB	E-1450	HP-2003
Centurion	455 V8 CARB	E-1650	HP-2003
Electra	455 V8 CARB	E-1650	HP-2003
LeSabre	350 V8 CARB		HP-2003
LeSabre	350 V8 CARB - GS Series	E-1650	HP-2003
LeSabre	455 V8 CARB	E-1650	HP-2003
Regal	350 V8 CARB - GS Series	E-1650	

\*Indicates 2 filters required

◆ - Intake kit available

Applications updated daily at [knfilters.com](http://knfilters.com) ®

# AIR & OIL FILTERS

# BUICK

Vehicle	Engine Type	Air Filter	Oil Filter
<b>1973 BUICK</b>			
Regal	455 V8 CARB - GS Series	E-1650	
Riviera	455 V8 CARB	E-1650	HP-2003
<b>1972 BUICK</b>			
Centurion	350 V8 CARB	E-1450	HP-2003
Centurion	455 V8 CARB	E-1650	HP-2003
Electra	455 V8 CARB	E-1650	HP-2003
Estate Wagon	455 V8 CARB	E-1650	
GS	350 V8 CARB	E-1450	HP-2003
GS 455	455 V8 CARB	E-1650	HP-2003
LeSabre	350 V8 CARB - GS Series	E-1650	
LeSabre	455 V8 CARB	E-1650	HP-2003
Riviera	455 V8 CARB	E-1650	HP-2003
Skylark	350 V8 CARB	E-1450	HP-2003
Skylark	455 V8 CARB	E-1650	HP-2003
<b>1971 BUICK</b>			
Centurion	455 V8 CARB	E-1650	HP-2003
Electra	455 V8 CARB	E-1650	HP-2003
Estate Wagon	455 V8 CARB	E-1650	
GS	350 V8 CARB	E-1450	HP-2003
GS 455	455 V8 CARB	E-1650	HP-2003
LeSabre	350 V8 CARB	E-1450	HP-2003
Riviera	455 V8 CARB	E-1650	HP-2003
Skylark	250 L6 CARB	E-1070	HP-2002
Skylark	350 V8 CARB	E-1450	HP-2003
Skylark	455 V8 CARB	E-1650	
Skylark Custom	350 V8 CARB	E-1450	HP-2003
<b>1970 BUICK</b>			
Electra	455 V8 CARB	E-1650	HP-2003
Estate Wagon	455 V8 CARB	E-1650	
GS	350 V8 CARB	E-1650	HP-2003
GS 455	455 V8 CARB	E-1650	HP-2003
LeSabre	350 V8 CARB	E-1450	HP-2003
LeSabre	455 V8 CARB	E-1650	HP-2003
Riviera	455 V8 CARB	E-1650	HP-2003
Skylark	350 V8 CARB	HP-2003	
Skylark	350 V8 CARB - GS Series	E-1650	HP-2003
Skylark	455 V8 CARB	E-1650	HP-2003
Sportwagon	455 V8 CARB	E-1650	
Wildcat	455 V8 CARB	E-1650	HP-2003
<b>1969 BUICK</b>			
Electra	430 V8 CARB	E-1450	HP-2003
GS 350	350 V8 2 BBL.	E-1450	HP-2003
GS 350	350 V8 4 BBL.	E-1650	HP-2003
GS 400	400 V8 CARB	E-1450	
LeSabre	350 V8 CARB	E-1450	HP-2003
Riviera	430 V8 CARB	E-1450	HP-2003
Skylark	250 L6 CARB	E-1070	HP-2002
Skylark	350 V8 CARB	E-1450	HP-2003
Wildcat	430 V8 CARB	E-1450	HP-2003
<b>1968 BUICK</b>			
Electra	430 V8 CARB	E-1650	HP-2003
GS 350	350 V8 2 BBL.	E-1070	HP-2003
GS 350	350 V8 4 BBL.	E-1650	HP-2003
GS 400	400 V8 CARB	E-1650	HP-2003
LeSabre	350 V8 2 BBL.	E-1070	HP-2003
LeSabre	350 V8 4 BBL.	E-1650	HP-2003
Riviera	430 V8 CARB	E-1650	HP-2003
Skylark	350 V8 2 BBL.	E-1070	HP-2003
Skylark	350 V8 4 BBL.	E-1650	HP-2003
Skylark	400 V8 CARB	E-1650	HP-2003

Vehicle	Engine Type	Air Filter	Oil Filter
<b>1968 BUICK</b>			
Wildcat	430 V8 CARB	E-1650	HP-2003
<b>1967 BUICK</b>			
Electra	430 V8 CARB	E-1360	HP-2003
LeSabre	340 V8 CARB		HP-2003
Riviera	430 V8 CARB	E-1360	HP-2003
Skylark	225 V6 CARB	E-1070	HP-2003
Skylark	300 V8 CARB		HP-2003
Skylark	340 V8 CARB		HP-2003
Skylark	400 V8 CARB		HP-2003
Wildcat	430 V8 CARB	E-1360	HP-2003
<b>1966 BUICK</b>			
Electra	401 V8 CARB	E-1360	HP-2003
Electra	425 V8 CARB	E-1360	HP-2003
Gran Sport	401 V8 CARB	E-1910	
LeSabre	340 V8 CARB		HP-2003
Riviera	425 V8 CARB	E-1360	HP-2003
Skylark	225 V6 CARB	E-1070	HP-2003
Skylark	401 V8 CARB	E-1910	HP-2003
Wildcat	401 V8 CARB	E-1360	HP-2003
Wildcat	425 V8 CARB	E-1360	HP-2003
<b>1965 BUICK</b>			
Electra	401 V8 CARB	E-1360	HP-2003
Gran Sport	401 V8 CARB	E-1910	
LeSabre	300 V8 CARB		HP-2003
Riviera	401 V8 CARB	E-1360	HP-2003
Riviera	425 V8 CARB	E-1360	HP-2003
Skylark	225 V6 CARB	E-1070	HP-2003
Skylark	300 V8 CARB		HP-2003
Skylark	401 V8 CARB	E-1910	HP-2003
Wildcat	401 V8 CARB	E-1360	HP-2003
Wildcat	425 V8 CARB	E-1360	HP-2003
<b>1964 BUICK</b>			
Riviera	401 V8 CARB	E-1910	HP-2003
Riviera	425 V8 CARB	E-1520	HP-2003
Skylark	300 V8 CARB	E-1520	HP-2003
Wildcat	401 V8 CARB	E-1520	HP-2003
Wildcat	425 V8 CARB	E-1520	HP-2003
<b>1963 BUICK</b>			
Electra	401 V8 CARB	E-1520	HP-2003
Riviera	401 V8 CARB	E-1910	HP-2003
Skylark	215 V8 CARB	E-1520	HP-2003
<b>1962 BUICK</b>			
LeSabre	401 V8 CARB	E-1520	HP-2003
Skylark	215 V8 CARB	E-1520	HP-2003
<b>1961 BUICK</b>			
Skylark	215 V8 CARB	E-1520	HP-2003
<b>1960 BUICK</b>			
LeSabre	364 V8 CARB	E-1520	HP-2003
<b>2011 CADILLAC</b>			
CTS	3.0L V6 F/I	33-2411	HP-7003
CTS	3.6L V6 F/I	33-2411	HP-7003
CTS-V	6.2L V8 F/I	33-2411	HP-1017
DTS	4.6L V8 F/I	33-2296	HP-2006
Escalade	6.0L V8 F/I	33-2135	HP-1017
Escalade	6.2L V8 F/I	33-2135 ♦	HP-1017
SRX	2.8L V6 F/I		HP-7003
SRX	3.0L V6 F/I	33-2444	HP-2011
STS	3.6L V6 F/I	33-2356	HP-7003

\*Indicates 2 filters required

♦ - Intake kit available

Applications updated daily at [knfilters.com](http://knfilters.com) ®

Partial Listing - Complete List of Vehicles and Applications at [knfilters.com](http://knfilters.com)



# CADILLAC

# AIR & OIL FILTERS

Vehicle	Engine Type	Air Filter	Oil Filter
<b>2010 CADILLAC</b>			
CTS	3.0L V6 F/I	33-2411	HP-7003
CTS	3.6L V6 F/I	33-2411	HP-7003
CTS-V	6.2L V8 F/I	33-2411	HP-1017
DTS	4.6L V8 F/I	33-2296	HP-2006
Escalade	6.0L V8 F/I	33-2135	HP-1017
Escalade	6.2L V8 F/I	33-2135 ♦	HP-1017
SRX	2.8L V6 F/I	33-2444	HP-7003
SRX	3.0L V6 F/I	33-2444	HP-1017
STS	3.6L V6 F/I	33-2356	HP-7003
STS	4.6L V8 F/I	33-2356	HP-2006

<b>2009 CADILLAC</b>			
CTS	3.6L V6 F/I	33-2411	HP-7003
CTS-V	6.2L V8 F/I	33-2411	HP-1017
DTS	4.6L V8 F/I	33-2296	HP-2006
Escalade	6.0L V8 F/I	33-2135	HP-1017
Escalade	6.2L V8 F/I	33-2135 ♦	HP-1017
SRX	3.6L V6 F/I	33-2356	HP-7003
SRX	4.6L V8 F/I	33-2356	HP-2006
STS	3.6L V6 F/I	33-2356	HP-7003
STS	4.6L V8 F/I	33-2356	HP-2006
STS-V	4.4L V8 F/I	E-1995	HP-2010
XLR	4.4L V8 F/I	33-2305*	HP-2010
XLR	4.6L V8 F/I	33-2305*	HP-2006

<b>2008 CADILLAC</b>			
CTS	2.6L V6 F/I		HP-7001
CTS	2.8L V6 F/I	33-2411	
CTS	3.6L V6 F/I	33-2411	HP-7003
DTS	4.6L V8 F/I	33-2296	HP-2006
Escalade	6.2L V8 F/I	33-2135 ♦	HP-1017
SRX	3.6L V6 F/I	33-2356	HP-7003
SRX	4.6L V8 F/I	33-2356	HP-2006
STS	3.6L V6 F/I	33-2356	HP-7003
STS	4.6L V8 F/I	33-2356	HP-2006
STS-V	4.4L V8 F/I	E-1995	
XLR	4.4L V8 F/I	33-2305*	
XLR	4.6L V8 F/I	33-2305*	HP-2006

<b>2007 CADILLAC</b>			
CTS	2.8L V6 F/I	33-2251	HP-7003
CTS	3.6L V6 F/I	33-2251	HP-7003
CTS-V	6.0L V8 F/I	33-2649 ♦	HP-1017
DTS	4.6L V8 F/I	33-2296	HP-2006
Escalade	6.2L V8 F/I	33-2135 ♦	HP-1017
SRX	3.6L V6 F/I	33-2356	HP-7003
SRX	4.6L V8 F/I	33-2356	HP-2006
STS	3.6L V6 F/I	33-2356	HP-7003
STS	4.6L V8 F/I	33-2356	HP-2006
STS-V	4.4L V8 F/I	E-1995	
XLR	4.4L V8 F/I	33-2305*	
XLR	4.6L V8 F/I	33-2305*	HP-2006

<b>2006 CADILLAC</b>			
CTS	2.8L V6 F/I	33-2251 ♦	HP-7003
CTS	3.6L V6 F/I	33-2251 ♦	HP-7003
CTS-V	6.0L V8 F/I	33-2649 ♦	HP-1007
DTS	4.6L V8 F/I	33-2296	HP-2006
Escalade	6.0L V8 F/I	33-2135 ♦	HP-1007
SRX	3.6L V6 F/I	33-2356	HP-7003
SRX	4.6L V8 F/I	33-2356	HP-2006
STS	3.6L V6 F/I	33-2356	HP-7003
STS	4.6L V8 F/I	33-2356	HP-2006
STS-V	4.4L V8 F/I	E-1995	
XLR	4.6L V8 F/I	33-2305*	HP-2006

Vehicle	Engine Type	Air Filter	Oil Filter
<b>2005 CADILLAC</b>			
CTS	2.8L V6 F/I	33-2251 ♦	HP-7003
CTS	3.6L V6 F/I	33-2251 ♦	HP-7003
CTS-V	5.7L V8 F/I	33-2649 ♦	HP-1007
DeVille	4.6L V8 F/I	33-2063-1	HP-2006
Escalade	5.3L V8 F/I	33-2135 ♦	HP-1007
Escalade	6.0L V8 F/I	33-2135 ♦	HP-1007
SRX	3.6L V6 F/I	33-2356	HP-7003
SRX	4.6L V8 F/I	33-2356	HP-2006
STS	3.6L V6 F/I	33-2356	HP-7003
STS	4.6L V8 F/I	33-2356	HP-2006
XLR	4.6L V8 F/I	33-2305*	HP-2006

<b>2004 CADILLAC</b>			
CTS	3.2L V6 F/I	33-2251 ♦	
CTS	3.6L V6 F/I	33-2251 ♦	HP-7003
CTS-V	5.7L V8 F/I	33-2649 ♦	HP-1007
DeVille	4.6L V8 F/I	33-2063-1	HP-2006
Escalade	5.3L V8 F/I	33-2129 ♦	HP-1007
Escalade	6.0L V8 F/I	33-2135 ♦	HP-1007
Seville	4.6L V8 F/I	33-2063-1	HP-2006
SRX	3.6L V6 F/I	33-2356	HP-7003
SRX	4.6L V8 F/I	33-2356	HP-2006
XLR	4.6L V8 F/I		HP-2006

<b>2003 CADILLAC</b>			
CTS	3.2L V6 F/I	33-2251 ♦	
DeVille	4.6L V8 F/I	33-2063-1	HP-2006
Escalade	5.3L V8 F/I	33-2129 ♦	HP-1007
Escalade	6.0L V8 F/I	33-2135 ♦	HP-1007
Seville	4.6L V8 F/I	33-2063-1	HP-2006

<b>2002 CADILLAC</b>			
DeVille	4.6L V8 F/I	33-2063-1	HP-2006
Eldorado	4.6L V8 F/I		HP-2006
Escalade	5.3L V8 F/I	33-2129 ♦	HP-2006
Escalade	6.0L V8 F/I	33-2135 ♦	HP-2006
Seville	4.6L V8 F/I	33-2063-1	HP-2006

<b>2001 CADILLAC</b>			
Catera	3.0L V6 F/I	33-2734	HP-7001
DeVille	4.6L V8 F/I	33-2063-1	HP-2006
Eldorado	4.6L V8 F/I		HP-2006
Seville	4.6L V8 F/I	33-2063-1	HP-2006

<b>2000 CADILLAC</b>			
Catera	3.0L V6 F/I	33-2734	HP-7001
DeVille	4.6L V8 F/I	33-2063-1	HP-2006
Eldorado	4.6L V8 F/I		HP-2006
Escalade	5.7L V8 F/I	E-1796	HP-2001
Seville	4.6L V8 F/I	33-2063-1	HP-2006

<b>1999 CADILLAC</b>			
Catera	3.0L V6 F/I	33-2734	HP-7001
DeVille	4.6L V8 F/I		HP-2006
Eldorado	4.6L V8 F/I		HP-2006
Escalade	5.7L V8 F/I	E-1796	HP-2001
Seville	4.6L V8 F/I	33-2063-1	HP-2006

<b>1998 CADILLAC</b>			
Catera	3.0L V6 F/I	33-2734	
Catera	3.0L V6 F/I - Cartridge	33-2734	HP-7001
Catera	3.0L V6 F/I - Spin On	33-2734	HP-1001
DeVille	4.6L V8 F/I		HP-2006
Eldorado	4.6L V8 F/I		HP-2006
Seville	4.6L V8 F/I	33-2063-1	HP-2006

<b>1997 CADILLAC</b>			
Catera	3.0L V6 F/I	33-2734	

\*Indicates 2 filters required

♦ - Intake kit available

Applications updated daily at [knfilters.com](http://knfilters.com) ®

# AIR & OIL FILTERS

# CADILLAC

Vehicle	Engine Type	Air Filter	Oil Filter
---------	-------------	------------	------------

## 1997 CADILLAC

Catera	3.0L V6 F/I - Cartridge	33-2734	HP-7001
Catera	3.0L V6 F/I - Spin On	33-2734	HP-1001
DeVille	4.6L V8 F/I		HP-2006
Eldorado	4.6L V8 F/I		HP-2006
Seville	4.6L V8 F/I		HP-2006

## 1996 CADILLAC

DeVille	4.6L V8 F/I		HP-2006
Eldorado	4.6L V8 F/I		HP-2006
Fleetwood	5.7L V8 F/I	33-2057	HP-2001
Seville	4.6L V8 F/I		HP-2006

## 1995 CADILLAC

DeVille	4.6L V8 F/I	33-2086	HP-2006
DeVille	4.9L V8 F/I	33-2086	HP-2006
Eldorado	4.6L V8 F/I	33-2086	HP-2006
Fleetwood	5.7L V8 F/I	33-2057	HP-2001
Seville	4.6L V8 F/I		HP-2006

## 1994 CADILLAC

DeVille	4.6L V8 F/I	33-2086	
DeVille	4.9L V8 F/I		HP-2006
Eldorado	4.6L V8 F/I	33-2086	HP-2006
Fleetwood	5.7L V8 F/I	33-2057	HP-2001
Seville	4.6L V8 F/I		HP-2006

## 1993 CADILLAC

60 Special	4.9L V8 F/I		HP-2006
Allante	4.6L V8 F/I		HP-2006
DeVille	4.9L V8 F/I		HP-2006
Eldorado	4.6L V8 F/I	33-2086	HP-2006
Eldorado	4.9L V8 F/I	33-2086	HP-2006
Fleetwood	5.7L V8 F/I	E-1500	HP-2002
Seville	4.6L V8 F/I		HP-2006
Seville	4.9L V8 F/I	33-2086	HP-2006

## 1992 CADILLAC

Allante	4.5L V8 F/I	33-2038	HP-2006
Brougham	5.0L V8 F/I	E-1500	HP-2002
Brougham	5.7L V8 F/I	E-1500	HP-2002
DeVille	4.9L V8 F/I		HP-2006
Eldorado	4.9L V8 F/I	33-2057	HP-2006
Fleetwood	4.9L V8 F/I		HP-2006
Seville	4.9L V8 F/I	33-2086	HP-2006

## 1991 CADILLAC

Allante	4.5L V8 F/I	33-2038	HP-2006
Brougham	5.0L V8 F/I	E-1500	HP-2002
Brougham	5.7L V8 F/I	E-1500	HP-2002
DeVille	4.9L V8 F/I		HP-2006
Eldorado	4.9L V8 F/I	33-2086	HP-2006
Fleetwood	4.9L V8 F/I		HP-2006
Seville	4.9L V8 F/I	33-2086	HP-2006

## 1990 CADILLAC

Allante	4.5L V8 F/I	33-2038	HP-2006
Brougham	5.0L V8 CARB	E-1500	HP-2006
Brougham	5.7L V8 F/I	E-1500	HP-2002
DeVille	4.5L V8 F/I	33-2086	HP-2006
Eldorado	4.5L V8 F/I		HP-2006
Fleetwood	4.5L V8 F/I		HP-2006
Seville	4.5L V8 F/I		HP-2006

## 1989 CADILLAC

Allante	4.5L V8 F/I	33-2038	HP-2006
Brougham	5.0L V8 CARB	E-1500	HP-2006
DeVille	4.5L V8 F/I	33-2086	HP-2006
Eldorado	4.5L V8 F/I		HP-2006

Vehicle	Engine Type	Air Filter	Oil Filter
---------	-------------	------------	------------

## 1989 CADILLAC

Fleetwood	4.5L V8 F/I		HP-2006
Seville	4.5L V8 F/I		HP-2006

## 1988 CADILLAC

Allante	4.1L V8 F/I	E-0870	HP-2006
Brougham	5.0L V8 CARB	E-1690	HP-2006
Cimarron	2.8L V6 F/I	E-0850	HP-1001
DeVille	4.5L V8 F/I	33-2086	HP-2006
Eldorado	4.5L V8 F/I		HP-2006
Fleetwood	4.5L V8 F/I		HP-2006
Seville	4.5L V8 F/I		HP-2006

## 1987 CADILLAC

Allante	4.1L V8 F/I	E-0870	HP-2006
Brougham	5.0L V8 CARB		HP-2006
DeVille	4.1L V8 F/I	E-1065	HP-2006
Eldorado	4.1L V8 F/I		HP-2006
Fleetwood	4.1L V8 F/I	E-1065	HP-2006
Seville	4.1L V8 F/I		HP-2006

## 1986 CADILLAC

Cimarron	2.8L V6 F/I	E-0850	HP-1001
DeVille	4.1L V8 F/I	E-1065	HP-2006
Eldorado	4.1L V8 F/I		HP-2006
Fleetwood	5.0L V8 CARB	E-1500	HP-2006

## 1985 CADILLAC

DeVille	4.1L V8 F/I	E-1065	HP-2006
DeVille	4.3L V6 DSL	E-1577	HP-2001
Eldorado	4.1L V8 F/I	E-1450	HP-2006
Eldorado	5.7L V8 DSL	E-1650	HP-2006
Fleetwood	4.1L V8 F/I		HP-2006
Fleetwood	4.1L V8 F/I - FWD	E-1065	HP-2006
Fleetwood	4.1L V8 F/I - RWD	E-1450	HP-2006
Fleetwood	4.3L V6 DSL	E-1577	HP-2001
Seville	4.1L V8 F/I	E-1450	HP-2006
Seville	5.7L V8 DSL	E-1650	HP-2006

## 1984 CADILLAC

DeVille	4.1L V8 F/I	E-1450	HP-2006
Eldorado	4.1L V8 F/I	E-1450	HP-2006
Eldorado	5.7L V8 DSL	E-1650	HP-2006
Seville	4.1L V8 F/I	E-1450	HP-2006
Seville	5.7L V8 DSL	E-1650	HP-2006

## 1983 CADILLAC

DeVille	4.1L V8 F/I	E-1450	HP-2006
DeVille	5.7L V8 DSL	E-1690	HP-2006
Eldorado	5.7L V8 DSL	E-1650	HP-2006
Fleetwood	4.1L V8 F/I	E-1450	HP-2006

## 1982 CADILLAC

DeVille	4.1L V6 CARB	E-1150	HP-1001
DeVille	4.1L V8 F/I	E-1450	HP-2006
Eldorado	4.1L V6 CARB	E-1450	HP-1001
Eldorado	4.1L V8 TBI	E-1450	HP-2006
Fleetwood	5.7L V8 DSL	E-1690	HP-2006

## 1981 CADILLAC

DeVille	4.1L V6 CARB	E-1150	HP-1001
DeVille	5.7L V8 DSL	E-1690	HP-2006
DeVille	6.0L V8 F/I	E-1450	HP-2006
Fleetwood	6.0L V8 F/I	E-1450	HP-2006

## 1980 CADILLAC

DeVille	350 V8 DSL	E-1690	HP-2006
DeVille	368 V8 CARB	E-1500	HP-2006
Fleetwood	6.0L V8 CARB	E-1500	HP-2006

\*Indicates 2 filters required    ♦ - Intake kit available    Applications updated daily at [knfilters.com](http://knfilters.com) ®

Partial Listing - Complete List of Vehicles and Applications at [knfilters.com](http://knfilters.com)

# CADILLAC

# AIR & OIL FILTERS

Vehicle	Engine Type	Air Filter	Oil Filter
<b>1980 CADILLAC</b>			
Seville	350 V8 DSL	E-1650	HP-2006
<b>1979 CADILLAC</b>			
DeVille	350 V8 DSL	E-1690	HP-2006
DeVille	425 V8 CARB	E-1510	HP-2006
DeVille	425 V8 F/I	E-1510	HP-2006
Eldorado	350 V8 DSL	E-1690	HP-2006
Eldorado	350 V8 F/I	E-1650	HP-2006
Seville	350 V8 DSL	E-1690	HP-2006
Seville	350 V8 F/I	E-1650	HP-2006
<b>1978 CADILLAC</b>			
DeVille	425 V8 CARB	E-1510	HP-2006
DeVille	425 V8 F/I	E-1510	HP-2006
Eldorado	425 V8 CARB	E-1510	HP-2006
Eldorado	425 V8 F/I	E-1510	HP-2006
Fleetwood	425 V8 CARB	E-1510	HP-2006
Fleetwood	425 V8 F/I	E-1510	HP-2006
Seville	350 V8 DSL	E-1690	HP-2003
Seville	350 V8 F/I	E-1650	HP-2006
<b>1977 CADILLAC</b>			
DeVille	425 V8 CARB	E-1510	HP-2006
DeVille	425 V8 F/I	E-1510	HP-2006
Eldorado	425 V8 CARB	E-1510	HP-2006
Seville	350 V8 F/I	E-1650	HP-2003
<b>1976 CADILLAC</b>			
DeVille	500 V8 CARB	E-1510	HP-2003
DeVille	500 V8 F/I	E-1510	HP-2003
Eldorado	500 V8 CARB	E-1510	HP-2003
Eldorado	500 V8 F/I	E-1510	HP-2003
Fleetwood	500 V8 CARB		HP-2003
Fleetwood	500 V8 F/I		HP-2003
Seville	350 V8 F/I	E-1650	HP-2003
<b>1975 CADILLAC</b>			
DeVille	500 V8 CARB	E-1510	HP-2003
DeVille	500 V8 F/I	E-1510	HP-2003
Eldorado	500 V8 CARB	E-1510	HP-2003
Eldorado	500 V8 F/I	E-1510	HP-2003
Fleetwood	500 V8 CARB	E-1510	HP-2003
Fleetwood	500 V8 F/I	E-1510	HP-2003
<b>1974 CADILLAC</b>			
DeVille	472 V8 CARB	E-1510	HP-2003
Eldorado	500 V8 CARB	E-1510	HP-2003
Fleetwood	472 V8 CARB	E-1510	HP-2003
<b>1973 CADILLAC</b>			
Calais	472 V8 CARB	E-1510	HP-2003
DeVille	472 V8 CARB	E-1510	HP-2003
Eldorado	500 V8 CARB	E-1510	HP-2003
Fleetwood	472 V8 CARB	E-1510	HP-2003
<b>1972 CADILLAC</b>			
DeVille	472 V8 CARB	E-1510	HP-2003
Eldorado	500 V8 CARB	E-1510	HP-2003
Fleetwood	472 V8 CARB	E-1510	HP-2003
<b>1971 CADILLAC</b>			
DeVille	472 V8 CARB	E-1510	HP-2003
Eldorado	500 V8 CARB	E-1510	HP-2003
<b>1970 CADILLAC</b>			
DeVille	472 V8 CARB	E-1510	HP-2003
Eldorado	500 V8 CARB	E-1510	HP-2003
Fleetwood	472 V8 CARB	E-1510	HP-2003

Vehicle	Engine Type	Air Filter	Oil Filter
<b>1969 CADILLAC</b>			
Calais	472 V8 CARB	E-1510	HP-2003
DeVille	472 V8 CARB	E-1510	HP-2003
Eldorado	472 V8 CARB	E-1510	HP-2003
Fleetwood	472 V8 CARB	E-1510	HP-2003
<b>1968 CADILLAC</b>			
Calais	472 V8 CARB	E-1510	HP-2003
DeVille	472 V8 CARB	E-1510	HP-2003
Eldorado	472 V8 CARB	E-1510	HP-2003
Fleetwood	472 V8 CARB	E-1510	HP-2003
<b>1967 CADILLAC</b>			
Calais	429 V8 CARB	E-1220	HP-2003
DeVille	429 V8 CARB	E-1220	HP-2003
Eldorado	429 V8 CARB	E-1220	HP-2003
Fleetwood	429 V8 CARB	E-1220	HP-2003
<b>1966 CADILLAC</b>			
DeVille	429 V8 CARB	E-1220	HP-2003
Fleetwood	429 V8 CARB	E-1220	HP-2003
<b>1965 CADILLAC</b>			
Calais	429 V8 CARB	E-1220	HP-2003
DeVille	429 V8 CARB	E-1220	HP-2003
Eldorado	429 V8 CARB	E-1220	HP-2003
Fleetwood	429 V8 CARB	E-1220	HP-2003
<b>1964 CADILLAC</b>			
DeVille	429 V8 CARB	E-1220	HP-2003
Eldorado	429 V8 CARB	E-1220	HP-2003
Series 60 Fleetwood	429 V8 CARB	E-1520	HP-2003
<b>1963 CADILLAC</b>			
DeVille	390 V8 CARB		HP-2003
Series 60 Fleetwood	390 V8 CARB	E-1520	HP-2003
<b>1962 CADILLAC</b>			
DeVille	390 V8 CARB		HP-2003
<b>1961 CADILLAC</b>			
DeVille	390 V8 CARB		HP-2003
<b>1960 CADILLAC</b>			
DeVille	390 V8 CARB		HP-2003
Eldorado	390 V8 CARB		HP-2003
Series 60 Fleetwood	390 V8 CARB	E-1520	HP-2003
<b>2005 CAGIVA</b>			
Navigator	1000		KN-138
			KN-138C
Raptor 650 i.e.	650		KN-138
			KN-138C
Raptor 1000	1000	SU-0007-A	KN-138
		SU-0007-A	KN-138C
Xtra Raptor 1000	1000	SU-0007-A	KN-138
		SU-0007-A	KN-138C
<b>2004 CAGIVA</b>			
Navigator	1000		KN-138
			KN-138C
Raptor 650	650	SU-6599	KN-138
		SU-6599	KN-138C
Raptor 1000	1000	SU-0007-A	KN-138
		SU-0007-A	KN-138C
V Raptor 650	650		KN-138
			KN-138C
V Raptor 1000	1000	SU-0007-A	KN-138
		SU-0007-A	KN-138C
Xtra Raptor 1000	1000	SU-0007-A	KN-138

\*Indicates 2 filters required

◆ - Intake kit available

Applications updated daily at [knfilters.com](http://knfilters.com) ®

# AIR & OIL FILTERS

# CAGIVA

Vehicle	Engine Type	Air Filter	Oil Filter
<b>2004 CAGIVA</b>			
Xtra Raptor 1000	1000	SU-0007-A	KN-138C
<b>2003 CAGIVA</b>			
Navigator	1000	CG-9002	KN-138
		CG-9002	KN-138C
Raptor 650	650	SU-6599	KN-138
		SU-6599	KN-138C
Raptor 1000	1000	SU-0007-A	KN-138
		SU-0007-A	KN-138C
V Raptor 650	650	SU-6599	KN-138
		SU-6599	KN-138C
V Raptor 1000	1000	SU-0007-A	KN-138
		SU-0007-A	KN-138C
Xtra Raptor 1000	1000	SU-0007-A	KN-138
		SU-0007-A	KN-138C
<b>2002 CAGIVA</b>			
Navigator	1000	CG-9002	KN-138
		CG-9002	KN-138C
Raptor 650	650	SU-6599	KN-138
		SU-6599	KN-138C
Raptor 1000	1000	SU-0007-A	KN-138
		SU-0007-A	KN-138C
V Raptor 650	650	SU-6599	KN-138
		SU-6599	KN-138C
V Raptor 1000	1000	SU-0007-A	KN-138
		SU-0007-A	KN-138C
Xtra Raptor 1000	1000	SU-0007-A	KN-138
		SU-0007-A	KN-138C
<b>2001 CAGIVA</b>			
Navigator	1000	CG-9002	KN-138
		CG-9002	KN-138C
Raptor 650	650	SU-6599	KN-138
		SU-6599	KN-138C
Raptor 1000	1000	SU-0007-A	KN-138
		SU-0007-A	KN-138C
V Raptor 650	650	SU-6599	KN-138
		SU-6599	KN-138C
V Raptor 1000	1000	SU-0007-A	KN-138
		SU-0007-A	KN-138C
Xtra Raptor 1000	1000	SU-0007-A	KN-138
		SU-0007-A	KN-138C
<b>2000 CAGIVA</b>			
Gran Canyon	900	CG-9002	
Navigator	1000	CG-9002	KN-138
		CG-9002	KN-138C
Raptor 650	650	SU-6599	KN-138
		SU-6599	KN-138C
Raptor 1000	1000	SU-0007-A	KN-138
		SU-0007-A	KN-138C
V Raptor 1000	1000	SU-0007-A	KN-138
		SU-0007-A	KN-138C
<b>1999 CAGIVA</b>			
Gran Canyon	900	CG-9002	KN-153
Navigator	1000	CG-9002	
<b>1998 CAGIVA</b>			
Elefant 750	750		KN-153
Gran Canyon	900	CG-9002	
Navigator	1000	CG-9002	
<b>1997 CAGIVA</b>			
Elefant 750	750		KN-153
Elefant 900	900		KN-153

Vehicle	Engine Type	Air Filter	Oil Filter
<b>1996 CAGIVA</b>			
Elefant 750	750		KN-153
Elefant 900	900		KN-153
<b>1995 CAGIVA</b>			
Elefant 750	750		KN-153
Elefant 900	900		KN-153
<b>1994 CAGIVA</b>			
Elefant 750	750		KN-153
Elefant 900	900		KN-153
<b>1993 CAGIVA</b>			
Elefant 750	750		KN-153
Elefant 900	900		KN-153
<b>1992 CAGIVA</b>			
Elefant 750	750		KN-153
Elefant 900	900		KN-153
<b>1991 CAGIVA</b>			
Elefant 750	750		KN-153
<b>1990 CAGIVA</b>			
Elefant 750	750		KN-153
<b>1989 CAGIVA</b>			
Elefant 750	750		KN-153
<b>1988 CAGIVA</b>			
Alazzurra GT Sports 650	650		KN-153
Alazzurra Sports 650	650		KN-153
<b>1987 CAGIVA</b>			
Alazzurra GT Sports 650	650		KN-153
Alazzurra Sports 650	650		KN-153
<b>1986 CAGIVA</b>			
Alazzurra GT Sports 650	650		KN-153
Alazzurra Sports 650	650		KN-153
Elefant 650	650	CG-0100	
<b>1985 CAGIVA</b>			
Alazzurra GT Sports 650	650		KN-153
Alazzurra Sports 650	650		KN-153
Elefant 650	650	CG-0100	
<b>1983 CAGIVA</b>			
Alazzurra GT Sports 650	650		KN-153
<b>1982 CAGIVA</b>			
Alazzurra GT Sports 650	650		KN-153
<b>2011 CAN-AM</b>			
DS450 EFI	450		CM-4508
DS450 EFI X mx	450		CM-4508
DS450 EFI X xc	450		CM-4508
Outlander 400 EFI	400		KN-152
Outlander 400 EFI XT	400		KN-152
Outlander 500 EFI	500	BD-6506	KN-152
Outlander 500 EFI XT	500	BD-6506	KN-152
Outlander 650 EFI	649		KN-152
Outlander 650 EFI XT	649		KN-152
Outlander 800R EFI	800		KN-152
Outlander 800R EFI XT	800		KN-152
Outlander Max 500 EFI	500	BD-6506	KN-152

\*Indicates 2 filters required

◆ - Intake kit available

Applications updated daily at [knfilters.com](http://knfilters.com) ®

Partial Listing - Complete List of Vehicles and Applications at [knfilters.com](http://knfilters.com)

# CAN-AM

# AIR & OIL FILTERS

Vehicle	Engine Type	Air Filter	Oil Filter	Vehicle	Engine Type	Air Filter	Oil Filter
<b>2011 CAN-AM</b>				<b>2009 CAN-AM</b>			
Outlander Max 500 EFI XT	500	BD-6506	KN-152	Outlander 800R EFI XT	800		KN-152
Outlander Max 650 EFI	650		KN-152	Outlander Max 400 EFI	400		KN-152
Outlander Max 650 EFI XT	650		KN-152	Outlander Max 400 EFI XT	400		KN-152
Outlander Max 800R EFI	800		KN-152	Outlander Max 500 EFI	500	BD-6506	KN-152
Outlander Max 800R EFI LTD	800		KN-152	Outlander Max 500 EFI XT	500	BD-6506	KN-152
Outlander Max 800R EFI XT	800		KN-152	Outlander Max 650 EFI	650	BD-6506	KN-152
Renegade 500 EFI	500	BD-6506	KN-152	Outlander Max 650 EFI XT	650	BD-6506	KN-152
Renegade 800R EFI	800		KN-152	Outlander Max 800R EFI	800		KN-152
Renegade 800R EFI X	800		KN-152	Outlander Max 800R EFI LTD	800		KN-152
Spyder RS	990	CM-9908		Outlander Max 800R EFI XT	800		KN-152
<b>2010 CAN-AM</b>				<b>2008 CAN-AM</b>			
DS450 EFI	450	CM-4508		DS450	450	CM-4508	
DS450 EFI X mx	450	CM-4508		DS450X	450	CM-4508	
DS450 EFI X xc	450	CM-4508		GS 990 Spyder	990		KN-564
Outlander 400 EFI	400		KN-152	Outlander 400 H.O. XT	400	BD-3303	KN-152
Outlander 400 EFI XT	400		KN-152	Outlander 400 H.O. XT	400	BD-3303	KN-152
Outlander 500 EFI	500	BD-6506	KN-152	Outlander 500 H.O. EFI	500	BD-6506	KN-152
Outlander 500 EFI XT	500	BD-6506		Outlander 500 H.O. EFI XT	500	BD-6506	KN-152
Outlander 650 EFI	649		KN-152	Outlander 650 H.O. EFI	650	BD-6506	KN-152
Outlander 650 EFI XT	649		KN-152	Outlander 650 H.O. EFI XT	650	BD-6506	KN-152
Outlander 800R EFI	800		KN-152	Outlander 800 H.O. EFI	800	BD-6506	KN-152
Outlander 800R EFI XT	800		KN-152	Outlander 800 H.O. EFI XT	800	BD-6506	KN-152
Outlander Max 400 EFI	400		KN-152	Outlander 800 H.O. EFI XT	800	BD-6506	KN-152
Outlander Max 500 EFI	500	BD-6506	KN-152	Outlander Max 400 H.O. XT	400	BD-3303	KN-152
Outlander Max 500 EFI XT	500	BD-6506	KN-152	Outlander Max 400 H.O. XT	400	BD-3303	KN-152
Outlander Max 650 EFI	650		KN-152	Outlander Max 500 H.O. EFI	500	BD-6506	KN-152
Outlander Max 650 EFI XT	650		KN-152	Outlander Max 500 H.O. EFI XT	500	BD-6506	KN-152
Outlander Max 800R EFI	800		KN-152	Outlander Max 650 H.O. EFI	650	BD-6506	KN-152
Outlander Max 800R EFI LTD	800		KN-152	Outlander Max 650 H.O. EFI XT	650	BD-6506	KN-152
Outlander Max 800R EFI XT	800		KN-152	Outlander Max 800 H.O. EFI	800	BD-6506	KN-152
Renegade 500 EFI	500	BD-6506	KN-152	Outlander Max 800 H.O. EFI XT	800	BD-6506	KN-152
Renegade 800R EFI	800		KN-152	Outlander Max 800 H.O. EFI XT	800	BD-6506	KN-152
Renegade 800R EFI X	800		KN-152	Outlander Max 800 H.O. EFI XT	800	BD-6506	KN-152
RT 990 Spyder SE5	990		KN-564	Renegade 500 EFI	500	BD-6506	KN-152
RT 990 Spyder SM5	990		KN-564	Renegade 800	800	BD-6506	KN-152
Spyder RS	990	CM-9908		Renegade 800 X	800	BD-6506	KN-152
<b>2009 CAN-AM</b>				<b>2007 CAN-AM</b>			
DS450	450	CM-4508	KN-560	DS650X	650	BD-6500	KN-152
DS450 EFI	450	CM-4508	KN-560	Outlander 400 H.O.	400	BD-3303	KN-152
DS450 EFI X mx	450	CM-4508	KN-560				
DS450 EFI X xc	450	CM-4508	KN-560				
GS 990 Spyder SE5	990		KN-564				
GS 990 Spyder SM5	990		KN-564				
Outlander 400 EFI	400		KN-152				
Outlander 400 EFI XT	400		KN-152				
Outlander 500 EFI	500	BD-6506	KN-152				
Outlander 500 EFI XT	500	BD-6506	KN-152				
Outlander 650 EFI	650	BD-6506	KN-152				
Outlander 650 EFI XT	650	BD-6506	KN-152				
Outlander 800R EFI	800		KN-152				

\*Indicates 2 filters required

◆ - Intake kit available

Applications updated daily at [knfilters.com](http://knfilters.com) ®

# AIR & OIL FILTERS

# CAN-AM

Vehicle	Engine Type	Air Filter	Oil Filter	Vehicle	Engine Type	Air Filter	Oil Filter
<b>2007 CAN-AM</b>				<b>2011 CHEVROLET</b>			
Outlander 400 H.O. XT	400	BD-3303	KN-152	Cruze	2.0L L4 DSL	33-2966	
Outlander 500 H.O. EFI	500	BD-6506	KN-152	Equinox	2.4L L4 F/I	33-2439	
Outlander 500 H.O. EFI XT	500	BD-6506	KN-152	Equinox	3.0L V6 F/I	33-2439	HP-2011
Outlander 650 H.O. EFI	650	BD-6506	KN-152	Express 1500	4.3L V6 F/I	E-1986	HP-1001
Outlander 650 H.O. EFI XT	650	BD-6506	KN-152	Express 1500	5.3L V8 F/I	E-1986	HP-1017
Outlander 800 H.O. EFI	800	BD-6506	KN-152	Express 2500	4.8L V8 F/I	E-1986	HP-1017
Outlander 800 H.O. EFI XT	800	BD-6506	KN-152	Express 2500	6.0L V8 F/I	E-1986	HP-1017
Outlander Max 400 H.O.	400	BD-3303	KN-152	Express 2500	6.6L V8 DSL		HP-3003
Outlander Max 400 H.O. XT	400	BD-3303	KN-152	Express 3500	4.8L V8 F/I	E-1986	HP-1017
Outlander Max 500 H.O. EFI	500	BD-6506	KN-152	Express 3500	6.0L V8 F/I	E-1986	HP-1017
Outlander Max 500 H.O. EFI XT	500	BD-6506	KN-152	Express 3500	6.6L V8 DSL		HP-3003
Outlander Max 650 H.O. EFI	650	BD-6506	KN-152	HHR	2.2L L4 F/I	33-2339 ♦	
Outlander Max 650 H.O. EFI XT	650	BD-6506	KN-152	HHR	2.4L L4 F/I	33-2339	
Outlander Max 800 H.O. EFI	800	BD-6506	KN-152	Impala	3.5L V6 F/I	33-2334	HP-2006
Outlander Max 800 H.O. EFI Ltd.	806	BD-6506	KN-152	Impala	3.9L V6 F/I	33-2334	HP-2006
Outlander Max 800 H.O. EFI XT	800	BD-6506	KN-152	Malibu	2.4L L4 F/I	33-2296	
Renegade 800	800	BD-6506	KN-152	Malibu	3.6L V6 F/I	33-2296	HP-1017
<b>1982 CAN-AM</b>				<b>2010 CHEVROLET</b>			
Qualifier IV	250	CM-0300		Avalanche	5.3L V8 F/I	33-2129 ♦	HP-1017
<b>1981 CAN-AM</b>				Aveo	1.2L L4 F/I	33-2320	
MX6B	250	CM-0300		Aveo	1.4L L4 F/I	33-2320	
<b>1980 CAN-AM</b>				Aveo	1.6L L4 F/I	33-2320	
MX6	250	CM-0300		Aveo5	1.6L L4 F/I	33-2320	
Qualifier II	250	CM-0300		Camaro	3.6L V6 F/I	33-2434 ♦	HP-7003
Qualifier III	250	CM-0300		Camaro	6.2L V8 F/I	33-2434 ♦	HP-1017
Qualifier III	400	CM-0300		Captiva	2.0L L4 DSL	33-2956	
<b>1979 CAN-AM</b>				Captiva	2.4L L4 F/I	33-2956	
Qualifier II	250	CM-0300		Captiva	3.2L V6 F/I	33-2956	
<b>1978 CAN-AM</b>				Captiva	3.6L V6 F/I		HP-7017
MX4	250	CM-0200		Chevy	1.6L L4 F/I		HP-1001
<b>2002 CANNONDALE</b>				Cobalt	2.0L L4 F/I	33-2311	HP-7000
440	440	CD-4402		Cobalt	2.2L L4 F/I	33-2311 ♦	HP-7000
<b>2011 CHEVROLET</b>				Colorado	2.9L L4 F/I	33-2408 ♦	HP-1007
Avalanche	5.3L V8 F/I	33-2129 ♦	HP-1017	Colorado	3.7L L5 F/I	33-2408 ♦	HP-2006
Aveo	1.6L L4 F/I	33-2320		Colorado	5.3L V8 F/I	33-2408	HP-1017
Aveo5	1.6L L4 F/I	33-2320		Corvette	6.2L V8 F/I	E-0782 ♦	HP-1017
Camaro	3.6L V6 F/I	33-2434 ♦	HP-7003	Corvette Z06	7.0L V8 F/I	E-0782	HP-1017
Camaro	6.2L V8 F/I	33-2434 ♦	HP-1017	Corvette ZR-1	6.2L V8 F/I	E-0786	HP-1017
Caprice	6.0L V8 F/I		HP-1017	Cruze	1.6L L4 F/I	33-2964	
Colorado	2.9L L4 F/I	33-2408 ♦	HP-1007	Cruze	1.8L L4 F/I	33-2964	
Colorado	3.7L L5 F/I	33-2408	HP-2006	Cruze	2.0L L4 DSL	33-2966	
Colorado	5.3L V8 F/I	33-2408	HP-1017	Epica	2.0L L4 F/I	33-2253	
Corvette	6.2L V8 F/I	E-0782 ♦	HP-1017	Epica	2.5L L6 F/I	33-2253	
Corvette Z06	7.0L V8 F/I	E-0782	HP-1017	Equinox	2.4L L4 F/I	33-2439 ♦	HP-7000
Corvette ZR-1	6.2L V8 F/I	E-0786	HP-1017	Equinox	3.0L V6 F/I	33-2439	HP-1017
Cruze	1.4L L4 F/I	33-2966		Express 1500	4.3L V6 F/I	E-1986	HP-1001
Cruze	1.6L L4 F/I	33-2964		Express 1500	5.3L V8 F/I	E-1986	HP-1017
Cruze	1.8L L4 F/I	33-2964		Express 2500	4.8L V8 F/I	E-1986	HP-1017
				Express 2500	6.0L V8 F/I	E-1986	HP-1017

\*Indicates 2 filters required      ♦ - Intake kit available      Applications updated daily at [knfilters.com](http://knfilters.com) ®

**Partial Listing - Complete List of Vehicles and Applications at [knfilters.com](http://knfilters.com)**

# CHEVROLET

# AIR & OIL FILTERS

Vehicle	Engine Type	Air Filter	Oil Filter	Vehicle	Engine Type	Air Filter	Oil Filter
<b>2010 CHEVROLET</b>				<b>2009 CHEVROLET</b>			
Express 2500	6.6L V8 DSL		HP-3003	Express 1500	5.3L V8 F/I	E-1986	HP-1017
Express 3500	4.8L V8 F/I	E-1986	HP-1017	Express 2500	4.8L V8 F/I	E-1986	HP-1017
Express 3500	6.0L V8 F/I	E-1986	HP-1017	Express 2500	6.0L V8 F/I	E-1986	HP-1017
Express 3500	6.6L V8 DSL		HP-3003	Express 2500	6.6L V8 DSL		HP-3003
HHR	2.0L L4 F/I	E-1989	HP-7000	Express 3500	4.8L V8 F/I	E-1986	HP-1017
HHR	2.2L L4 F/I	33-2339 ♦	HP-7000	Express 3500	6.0L V8 F/I	E-1986	HP-1017
HHR	2.4L L4 F/I	33-2339 ♦	HP-7000	Express 3500	6.6L V8 DSL		HP-3003
Impala	3.5L V6 F/I	33-2334	HP-2006	HHR	2.0L L4 F/I	E-1989 ♦	HP-7000
Impala	3.9L V6 F/I	33-2334	HP-2006	HHR	2.2L L4 F/I	33-2339	HP-7000
Lacetti	1.4L L4 F/I	33-2330		HHR	2.4L L4 F/I	33-2339 ♦	HP-7000
Lacetti	1.6L L4 F/I	33-2330		Impala	3.5L V6 F/I	33-2334	HP-2006
Malibu	2.4L L4 F/I	33-2296	HP-7000	Impala	3.9L V6 F/I	33-2334	HP-2006
Malibu	3.5L V6 F/I	33-2334	HP-2006	Impala	5.3L V8 F/I	33-2334 ♦	HP-1017
Malibu	3.6L V6 F/I	33-2296	HP-1017	Kalos	1.2L L4 F/I	33-2320	
Nubira	1.6L L4 F/I	33-2330		Kalos	1.4L L4 F/I	33-2320	
Nubira	1.8L L4 F/I	33-2330		Lacetti	1.4L L4 F/I	33-2330	
Optra	2.0L L4 F/I		HP-1001	Lacetti	1.6L L4 F/I	33-2330	
Silverado 1500	4.3L V6 F/I	33-2129	HP-1001	Malibu	2.4L L4 F/I	33-2296	HP-7000
Silverado 1500	4.8L V8 F/I	33-2129 ♦	HP-1017	Malibu	3.5L V6 F/I	33-2296	HP-2006
Silverado 1500	5.3L V8 F/I	33-2129 ♦	HP-1017	Malibu	3.6L V6 F/I	33-2296	HP-1017
Silverado 1500	6.0L V8 F/I	33-2135 ♦	HP-1017	Nubira	1.6L L4 F/I	33-2330	
Silverado 1500	6.2L V8 F/I	33-2135 ♦	HP-1017	Nubira	1.8L L4 F/I	33-2330	
Silverado 2500 HD	6.0L V8 F/I	33-2135 ♦	HP-1017	Optra	2.0L L4 F/I		HP-1001
Silverado 2500 HD	6.6L V8 DSL	E-0781 ♦	HP-3003	Silverado 1500	4.3L V6 F/I	33-2129	HP-1001
Silverado 3500 HD	6.0L V8 F/I	33-2135	HP-1017	Silverado 1500	4.8L V8 F/I	33-2129 ♦	HP-1017
Silverado 3500 HD	6.6L V8 DSL	E-0781 ♦	HP-3003	Silverado 1500	5.3L V8 F/I	33-2129 ♦	HP-1017
Suburban 1500	5.3L V8 F/I	33-2129 ♦	HP-1017	Silverado 1500	6.0L V8 F/I	33-2135 ♦	HP-1017
Suburban 2500	6.0L V8 F/I	33-2135	HP-1017	Silverado 1500	6.2L V8 F/I	33-2135 ♦	HP-1017
Tahoe	5.3L V8 F/I	33-2129 ♦	HP-1017	Silverado 2500 HD	6.0L V8 F/I	33-2135 ♦	HP-1017
Tahoe	6.0L V8 F/I	33-2135	HP-1017	Silverado 2500 HD	6.6L V8 DSL	E-0781 ♦	HP-3003
Tornado	1.8L L4 F/I		HP-1001	Silverado 3500 HD	6.0L V8 F/I	33-2135 ♦	HP-1017
Traverse	3.6L V6 F/I	33-2394	HP-1017	Silverado 3500 HD	6.6L V8 DSL	E-0781 ♦	HP-3003
<b>2009 CHEVROLET</b>				<b>2008 CHEVROLET</b>			
Avalanche	5.3L V8 F/I	33-2129 ♦	HP-1017	Suburban 1500	5.3L V8 F/I	33-2129 ♦	HP-1017
Avalanche	6.0L V8 F/I	33-2135 ♦	HP-1017	Suburban 1500	6.0L V8 F/I	33-2135 ♦	HP-1017
Aveo	1.2L L4 F/I	33-2320		Suburban 2500	6.0L V8 F/I	33-2135	HP-1017
Aveo	1.4L L4 F/I	33-2320		Tahoe	4.8L V8 F/I	33-2129 ♦	HP-1017
Aveo	1.6L L4 F/I	33-2320		Tahoe	5.3L V8 F/I	33-2129 ♦	HP-1017
Aveo5	1.6L L4 F/I	33-2320		Tahoe	6.0L V8 F/I	33-2135	HP-1017
C4500 Kodiak	6.6L V8 DSL		HP-3003	Tahoe	6.2L V8 F/I	33-2135 ♦	HP-1017
C5500 Kodiak	6.6L V8 DSL		HP-3003	Tahoe	1.8L L4 F/I		HP-1001
Captiva	2.0L L4 DSL	33-2956		Tornado	1.8L L4 F/I		HP-1001
Captiva	2.4L L4 F/I	33-2956		TrailBlazer	4.2L L6 F/I	E-1009 ♦	HP-2006
Captiva	3.2L V6 F/I	33-2956		TrailBlazer	5.3L V8 F/I	E-1009	
Captiva	3.6L V6 F/I		HP-7017	TrailBlazer	6.0L V8 F/I	E-1009	HP-1017
Chevy	1.6L L4 F/I		HP-1001	Traverse	3.6L V6 F/I	33-2394	HP-1017
Cheyenne	5.3L V8 F/I		HP-1017	Uplander	3.9L V6 F/I	33-2318	HP-2006
Cobalt	2.0L L4 F/I	33-2311 ♦	HP-7000	<b>2008 CHEVROLET</b>			
Cobalt	2.2L L4 F/I	33-2311 ♦	HP-7000	Avalanche	5.3L V8 F/I	33-2129 ♦	HP-1017
Colorado	2.9L L4 F/I	33-2408 ♦	HP-1007	Avalanche	6.0L V8 F/I	33-2135 ♦	HP-1017
Colorado	3.7L L5 F/I	33-2408 ♦	HP-2006	Aveo	1.2L L4 F/I	33-2320	
Colorado	5.3L V8 F/I	33-2408	HP-1017	Aveo	1.4L L4 F/I	33-2320	
Corvette	6.2L V8 F/I	E-0782 ♦	HP-1017	Aveo	1.6L L4 F/I	33-2320	HP-1001
Corvette Z06	7.0L V8 F/I	E-0782 ♦	HP-1017	Aveo5	1.6L L4 F/I		HP-1001
Corvette ZR-1	6.2L V8 F/I	E-0786	HP-1017	C4500 Kodiak	6.6L V8 DSL		HP-3003
Cruze	1.6L L4 F/I	33-2964		C5500 Kodiak	6.6L V8 DSL		HP-3003
Cruze	1.8L L4 F/I	33-2964		Captiva	2.0L L4 DSL	33-2956	
Cruze	2.0L L4 DSL	33-2966		Captiva	2.4L L4 F/I	33-2956	
Epica	2.0L L4 F/I	33-2253		Captiva	3.2L V6 F/I	33-2956	
Epica	2.5L L6 F/I	33-2253		Captiva	3.6L V6 F/I		HP-7017
Equinox	3.4L V6 F/I	33-2296	HP-1001	Chevy	1.6L L4 F/I		HP-1001
Equinox	3.6L V6 F/I	33-2296	HP-1017	Cheyenne	5.3L V8 F/I		HP-1007
Express 1500	4.3L V6 F/I	E-1986	HP-1001	Cobalt	2.0L L4 F/I	33-2311 ♦	HP-7000
				Cobalt	2.2L L4 F/I	33-2311 ♦	HP-7000
				Cobalt	2.4L L4 F/I	33-2311 ♦	HP-7000

\*Indicates 2 filters required

♦ - Intake kit available

Applications updated daily at [knfilters.com](http://knfilters.com) ®



# AIR & OIL FILTERS

# CHEVROLET

Vehicle	Engine Type	Air Filter	Oil Filter	Vehicle	Engine Type	Air Filter	Oil Filter
<b>2008 CHEVROLET</b>				<b>2007 CHEVROLET</b>			
Colorado	2.9L L4 F/I	33-2408 ♦	HP-1007	Blazer	4.3L V6 F/I - 2WD	33-2042	HP-1001
Colorado	3.7L L5 F/I	33-2408 ♦	HP-2006	Blazer	4.3L V6 F/I - 4WD	33-2042	HP-2001
Corvette	6.2L V8 F/I	E-0782 ♦	HP-1017	C4500 Kodiak	6.6L V8 DSL		HP-3003
Corvette Z06	7.0L V8 F/I	E-0782 ♦	HP-1017	C5500 Kodiak	6.6L V8 DSL		HP-3003
Epica	2.0L L4 F/I	33-2253		Camaro	3.8L V6 F/I	33-2118	HP-1001
Epica	2.5L L6 F/I	33-2253		Camaro	5.7L V8 F/I	33-2118	HP-1007
Equinox	3.4L V6 F/I	33-2296	HP-1001	Captiva	2.0L L4 DSL	33-2956	
Equinox	3.6L V6 F/I	33-2296	HP-1017	Captiva	2.4L L4 F/I	33-2956	
Express 1500	4.3L V6 F/I	E-1986	HP-1001	Captiva	3.2L V6 F/I	33-2956	
Express 1500	5.3L V8 F/I	E-1986	HP-1017	Cheyenne	5.3L V8 F/I		HP-1007
Express 2500	4.8L V8 F/I	E-1986	HP-1017	Cobalt	2.0L L4 F/I	E-0777	HP-7000
Express 2500	6.0L V8 F/I	E-1986	HP-1017	Cobalt	2.2L L4 F/I	33-2311 ♦	HP-7000
Express 2500	6.6L V8 DSL		HP-3003	Cobalt	2.4L L4 F/I	33-2311 ♦	HP-7000
Express 3500	4.8L V8 F/I	E-1986	HP-1017	Colorado	2.9L L4 F/I	E-0773 ♦	HP-1007
Express 3500	6.0L V8 F/I	E-1986	HP-1017	Colorado	3.7L L5 F/I	E-0773 ♦	HP-2006
Express 3500	6.6L V8 DSL		HP-3003	Corvette	6.0L V8 F/I	33-2305* ♦	HP-1017
HHR	2.0L L4 F/I	E-1989 ♦	HP-7000	Corvette Z06	7.0L V8 F/I	E-0782 ♦	HP-1017
HHR	2.2L L4 F/I	33-2339	HP-7000	Epica	2.0L L4 F/I	33-2253	
HHR	2.4L L4 F/I	33-2339 ♦	HP-7000	Epica	2.5L L6 F/I	33-2253	
Impala	3.5L V6 F/I	33-2334	HP-2006	Equinox	3.4L V6 F/I	33-2296	HP-1001
Impala	3.9L V6 F/I	33-2334	HP-2006	Evanda	2.0L L4 F/I	33-2253	
Impala	5.3L V8 F/I	33-2334 ♦	HP-1017	Express 1500	4.3L V6 F/I	E-1008	HP-1001
Kalos	1.2L L4 F/I	33-2320		Express 1500	5.3L V8 F/I	E-1008	HP-1017
Kalos	1.4L L4 F/I	33-2320		Express 2500	4.8L V8 F/I	E-1008	HP-1017
Lacetti	1.4L L4 F/I	33-2330		Express 2500	6.0L V8 F/I	E-1008	HP-1017
Lacetti	1.6L L4 F/I	33-2330		Express 2500	6.6L V8 DSL	E-0783	HP-3003
Lacetti	1.8L L4 F/I	33-2330		Express 3500	4.8L V8 F/I	E-1008	HP-1017
Malibu	2.2L L4 F/I		HP-7000	Express 3500	6.0L V8 F/I	E-1008	HP-1017
Malibu	2.4L L4 F/I	33-2296	HP-7000	Express 3500	6.6L V8 DSL	E-0783	HP-3003
Malibu	3.5L V6 F/I	33-2315	HP-2006	HHR	2.2L L4 F/I	33-2339	HP-7000
Malibu	3.6L V6 F/I	33-2296	HP-1017	HHR	2.4L L4 F/I	33-2339 ♦	HP-7000
Meriva	1.8L L4 F/I		HP-1001	Impala	3.5L V6 F/I	33-2334	HP-2006
Nubira	1.4L L4 F/I	33-2330		Impala	3.9L V6 F/I	33-2334	HP-2006
Nubira	1.6L L4 F/I	33-2330		Impala	5.3L V8 F/I	33-2334 ♦	HP-1017
Nubira	1.8L L4 F/I	33-2330		Kalos	1.2L L4 F/I	33-2320	
Optra	2.0L L4 F/I		HP-1001	Kalos	1.4L L4 F/I	33-2320	
Silverado 1500	4.3L V6 F/I	33-2129	HP-1001	Lacetti	1.4L L4 F/I	33-2330	
Silverado 1500	4.8L V8 F/I	33-2129 ♦	HP-1017	Lacetti	1.6L L4 F/I	33-2330	
Silverado 1500	5.3L V8 F/I	33-2129 ♦	HP-1017	Lacetti	1.8L L4 F/I	33-2330	
Silverado 1500	6.0L V8 F/I	33-2135 ♦	HP-1017	Malibu	2.2L L4 F/I	33-2310	HP-7000
Silverado 2500 HD	6.0L V8 F/I	33-2135 ♦	HP-1017	Malibu	3.5L V6 F/I	33-2315	HP-2006
Silverado 2500 HD	6.6L V8 DSL	E-0781 ♦	HP-3003	Malibu	3.9L V6 F/I	33-2315	HP-2006
Silverado 3500 HD	6.0L V8 F/I	33-2135 ♦	HP-1017	Meriva	1.8L L4 F/I		HP-1001
Silverado 3500 HD	6.6L V8 DSL	E-0781 ♦	HP-3003	Monte Carlo	3.5L V6 F/I	33-2334	HP-2006
Suburban 1500	5.3L V8 F/I	33-2129 ♦	HP-1017	Monte Carlo	5.3L V8 F/I	33-2334 ♦	HP-1017
Suburban 1500	6.0L V8 F/I	33-2135 ♦	HP-1017	Nubira	1.4L L4 F/I	33-2330	
Suburban 2500	6.0L V8 F/I	33-2135	HP-1017	Nubira	1.6L L4 F/I	33-2330	
Tahoe	4.8L V8 F/I	33-2129 ♦	HP-1017	Nubira	1.8L L4 F/I	33-2330	
Tahoe	5.3L V8 F/I	33-2129 ♦	HP-1017	Optra	2.0L L4 F/I		HP-1001
Tahoe	6.0L V8 F/I	33-2135	HP-1017	Silverado 1500	4.3L V6 F/I	33-2129	HP-1001
Tornado	1.8L L4 F/I		HP-1001	Silverado 1500	4.8L V8 F/I	33-2129 ♦	HP-1017
TrailBlazer	4.2L L6 F/I	E-1009 ♦	HP-2006	Silverado 1500	5.3L V8 F/I	33-2129 ♦	HP-1017
TrailBlazer	5.3L V8 F/I	E-1009	HP-1017	Silverado 1500	6.0L V8 F/I	33-2135 ♦	HP-1017
TrailBlazer	6.0L V8 F/I	E-1009 ♦	HP-1017	Silverado 1500	4.3L V6 F/I	33-2129 ♦	HP-1001
Uplander	3.9L V6 F/I	33-2318	HP-2006	Classic			
<b>2007 CHEVROLET</b>				Silverado 1500	4.8L V8 F/I	33-2129 ♦	HP-1017
Avalanche	5.3L V8 F/I	33-2129 ♦	HP-1017	Classic			
Avalanche	6.0L V8 F/I	33-2135 ♦	HP-1017	Silverado 1500	5.3L V8 F/I	33-2129 ♦	HP-1017
Aveo	1.2L L4 F/I	33-2320		Classic			
Aveo	1.4L L4 F/I	33-2320		Silverado 1500 HD	6.0L V8 F/I	33-2135 ♦	HP-1017
Aveo	1.6L L4 F/I	33-2320	HP-1001	Classic			
Aveo5	1.6L L4 F/I		HP-1001	Silverado 2500 HD	6.0L V8 F/I	33-2135 ♦	HP-1017
Blazer	4.3L V6 F/I	33-2042		Silverado 2500 HD	6.6L V8 DSL	E-0781 ♦	HP-3003
				Silverado 2500 HD	6.0L V8 F/I	33-2135 ♦	HP-1017
				Classic			

\*Indicates 2 filters required      ♦ - Intake kit available      Applications updated daily at [knfilters.com](http://knfilters.com) ®

**Partial Listing - Complete List of Vehicles and Applications at [knfilters.com](http://knfilters.com)**

# CHEVROLET

# AIR & OIL FILTERS

Vehicle	Engine Type	Air Filter	Oil Filter
<b>2007 CHEVROLET</b>			
Silverado 2500 HD Classic	6.6L V8 DSL	E-0781 ♦	HP-3003
Silverado 2500 HD Classic	8.1L V8 F/I	33-2135 ♦	HP-1011
Silverado 3500 Classic	6.0L V8 F/I	33-2135 ♦	HP-1017
Silverado 3500 Classic	6.6L V8 DSL	E-0781 ♦	HP-3003
Silverado 3500 Classic	8.1L V8 F/I	33-2135 ♦	HP-1011
Silverado 3500 HD	6.0L V8 F/I	33-2135 ♦	HP-1017
Silverado 3500 HD	6.6L V8 DSL	E-0781 ♦	HP-3003
Silverado SS	6.0L V8 F/I	33-2135	HP-1017
Silverado SS Classic	6.0L V8 F/I	33-2135 ♦	HP-1017
SSR	6.0L V8 F/I	33-2322	HP-1017
Suburban 1500	5.3L V8 F/I	33-2129 ♦	HP-1017
Suburban 1500	6.0L V8 F/I	33-2135 ♦	HP-1017
Suburban 2500	6.0L V8 F/I	33-2135 ♦	HP-1017
Tahoe	4.8L V8 F/I	33-2129 ♦	HP-1017
Tahoe	5.3L V8 F/I	33-2129 ♦	HP-1017
Tavera	2.5L L4 DSL	E-2298	
Tornado	1.8L L4 F/I		HP-1001
TrailBlazer	4.2L L6 F/I	E-1009 ♦	HP-2006
TrailBlazer	4.2L V6 F/I	E-1009 ♦	HP-2006
TrailBlazer	5.3L V8 F/I	E-1009	HP-1017
TrailBlazer	6.0L V8 F/I	E-1009 ♦	HP-1017
Uplander	3.9L V6 F/I	33-2318	HP-2006

Vehicle	Engine Type	Air Filter	Oil Filter
<b>2006 CHEVROLET</b>			
Astra	1.8L L4 F/I		HP-1001
Astra	2.0L L4 F/I		HP-1001
Avalanche 1500	5.3L V8 F/I	33-2129 ♦	HP-1007
Avalanche 2500	8.1L V8 F/I	33-2135 ♦	HP-1011
Aveo	1.2L L4 F/I	33-2320	
Aveo	1.4L L4 F/I	33-2320	
Aveo	1.6L L4 F/I	33-2320	HP-1001
Blazer	4.3L V6 F/I	33-2042	
Blazer	4.3L V6 F/I - 2WD	33-2042	HP-1001
Blazer	4.3L V6 F/I - 4WD	33-2042	HP-2001
C2	1.6L L4 F/I		HP-1001
Camaro	3.8L V6 F/I	33-2118	HP-1001
Camaro	5.7L V8 F/I	33-2118	HP-1007
Captiva	2.0L L4 DSL	33-2956	
Captiva	2.4L L4 F/I	33-2956	
Captiva	3.2L V6 F/I	33-2956	
Cheyenne	5.3L V8 F/I		HP-1007
Cobalt	2.0L L4 F/I	E-0777 ♦	HP-7000
Cobalt	2.2L L4 F/I	33-2311 ♦	HP-7000
Cobalt	2.4L L4 F/I	33-2311 ♦	HP-7000
Colorado	2.8L L4 F/I	E-0773 ♦	HP-1007
Colorado	3.5L L5 F/I	E-0773 ♦	HP-2006
Corsa	1.8L L4 F/I - SOHC		HP-1001
Corvette	6.0L V8 F/I	33-2305* ♦	HP-1007
Corvette Z06	7.0L V8 F/I	E-0782 ♦	HP-1017
Epica	2.0L L4 F/I	33-2253	
Epica	2.5L L6 F/I	33-2253	
Equinox	3.4L V6 F/I	33-2296	HP-1001
Evanda	2.0L L4 F/I	33-2253	
Express 1500	4.3L V6 F/I	E-1008	HP-1001
Express 1500	5.3L V8 F/I	E-1008	HP-1007
Express 2500	4.8L V8 F/I	E-1008	HP-1007
Express 2500	6.0L V8 F/I	E-1008	HP-1007
Express 2500	6.6L V8 DSL	E-0783	HP-3003
Express 3500	4.8L V8 F/I	E-1008	HP-1007
Express 3500	6.0L V8 F/I	E-1008	HP-1007

Vehicle	Engine Type	Air Filter	Oil Filter
<b>2006 CHEVROLET</b>			
Express 3500	6.6L V8 DSL	E-0783	HP-3003
HHR	2.2L L4 F/I	33-2339	HP-7000
HHR	2.4L L4 F/I	33-2339 ♦	HP-7000
Impala	3.5L V6 F/I	33-2334	HP-2006
Impala	3.9L V6 F/I	33-2334	HP-2006
Impala	5.3L V8 F/I	33-2334 ♦	HP-1007
Kalos	1.2L L4 F/I	33-2320	
Kalos	1.4L L4 F/I	33-2320	
Kodiak CK4500	6.6L V8 DSL		HP-3003
Kodiak CK5500	6.6L V8 DSL		HP-3003
Lacetti	1.4L L4 F/I	33-2330	
Lacetti	1.6L L4 F/I	33-2330	
Lacetti	1.8L L4 F/I	33-2330	
Luv	2.2L L4 F/I		HP-1004
Malibu	2.2L L4 F/I	33-2310	HP-7000
Malibu	3.5L V6 F/I	33-2310	HP-1001
Malibu	3.9L V6 F/I	33-2315	HP-2006
Meriva	1.8L L4 F/I		HP-1001
Monte Carlo	3.5L V6 F/I	33-2334	HP-2006
Monte Carlo	3.9L V6 F/I	33-2334	HP-2006
Monte Carlo	5.3L V8 F/I	33-2334 ♦	HP-1007
Nubira	1.4L L4 F/I	33-2330	
Nubira	1.6L L4 F/I	33-2330	
Nubira	1.8L L4 F/I	33-2330	
Opra	2.0L L4 F/I		HP-1001
Silverado 1500	4.3L V6 F/I	33-2129 ♦	HP-1001
Silverado 1500	4.8L V8 F/I	33-2129 ♦	HP-1007
Silverado 1500	5.3L V8 F/I	33-2129 ♦	HP-1007
Silverado 1500	6.0L V8 F/I	33-2135 ♦	HP-1007
Silverado 1500 HD	6.0L V8 F/I	33-2135 ♦	HP-1007
Silverado 2500 HD	6.0L V8 F/I	33-2135 ♦	HP-1007
Silverado 2500 HD	6.6L V8 DSL	E-0781 ♦	HP-3003
Silverado 2500 HD	8.1L V8 F/I	33-2135 ♦	HP-1011
Silverado 3500	6.0L V8 F/I	33-2135 ♦	HP-1007
Silverado 3500	6.6L V8 DSL	E-0781 ♦	HP-3003
Silverado 3500	8.1L V8 F/I	33-2135 ♦	HP-1011
Silverado SS	6.0L V8 F/I	33-2135 ♦	HP-1007
Sonora	5.3L V8 F/I		HP-1007
SSR	6.0L V8 F/I	33-2322 ♦	HP-1007
Suburban 1500	5.3L V8 F/I	33-2129 ♦	HP-1007
Suburban 1500	6.0L V8 F/I	33-2135 ♦	HP-1007
Suburban 2500	6.0L V8 F/I	33-2135 ♦	HP-1007
Suburban 2500	8.1L V8 F/I	33-2135 ♦	HP-1011
Tahoe	4.8L V8 F/I	33-2129 ♦	HP-1007
Tahoe	5.3L V8 F/I	33-2129 ♦	HP-1007
Tavera	2.5L L4 DSL	E-2298	
Tornado	1.8L L4 F/I		HP-1001
Tracker	2.0L L4 F/I		HP-1003
TrailBlazer	4.2L L6 F/I	E-1009 ♦	HP-2006
TrailBlazer	4.2L V6 F/I	E-1009 ♦	HP-2006
TrailBlazer	5.3L V8 F/I	E-1009	HP-1007
TrailBlazer	6.0L V8 F/I	E-1009 ♦	HP-1007
Uplander	3.5L V6 F/I	33-2318	HP-1001
Uplander	3.9L V6 F/I	33-2318	HP-2006

Vehicle	Engine Type	Air Filter	Oil Filter
<b>2005 CHEVROLET</b>			
Astra	1.8L L4 F/I		HP-1001
Astro	4.3L V6 F/I	33-2225	HP-1001
Avalanche 1500	5.3L V8 F/I	33-2129 ♦	HP-1007
Avalanche 2500	8.1L V8 F/I	33-2135 ♦	HP-1011
Aveo	1.6L L4 F/I	33-2320	HP-1001
Blazer	4.3L V6 F/I	33-2042 ♦	
Blazer	4.3L V6 F/I - 2WD	33-2042	HP-1001
Blazer	4.3L V6 F/I - 4WD	33-2042	HP-2001

\*Indicates 2 filters required

♦ - Intake kit available

Applications updated daily at [knfilters.com](http://knfilters.com) ®

# AIR & OIL FILTERS

# CHEVROLET

Vehicle	Engine Type	Air Filter	Oil Filter	Vehicle	Engine Type	Air Filter	Oil Filter
<b>2005 CHEVROLET</b>				<b>2005 CHEVROLET</b>			
Camaro	3.8L V6 F/I	33-2118	HP-1001	Sonora	5.3L V8 F/I		HP-1007
Camaro	5.7L V8 F/I	33-2118	HP-1007	SSR	6.0L V8 F/I	33-2322 ♦	HP-1007
Cavalier Ecotec	2.2L L4 F/I	33-2143 ♦	HP-7000	Suburban 1500	5.3L V8 F/I	33-2129 ♦	HP-1007
Cheyenne	5.3L V8 F/I		HP-1007	Suburban 2500	6.0L V8 F/I	33-2135 ♦	HP-1007
Classic	2.2L L4 F/I		HP-7000	Suburban 2500	8.1L V8 F/I	33-2135 ♦	HP-1011
Cobalt	2.0L L4 F/I	E-0777 ♦	HP-7000	Tahoe	4.8L V8 F/I	33-2129 ♦	HP-1007
Cobalt	2.2L L4 F/I	33-2311 ♦	HP-7000	Tahoe	5.3L V8 F/I	33-2129 ♦	HP-1007
Cobalt	2.4L L4 F/I	33-2311		Tavera	2.5L L4 DSL	E-2298	
Colorado	2.8L L4 F/I	E-0773 ♦	HP-1007	Tornado	1.8L L4 F/I		HP-1001
Colorado	3.5L L5 F/I	E-0773 ♦	HP-2006	Tracker	2.0L L4 F/I		HP-1003
Corsa	1.8L L4 F/I - SOHC		HP-1001	TrailBlazer	4.2L L6 F/I	E-1009 ♦	HP-2006
Corvette	6.0L V8 F/I	33-2305* ♦	HP-1007	TrailBlazer	4.2L V6 F/I	E-1009 ♦	HP-2006
Equinox	3.4L V6 F/I	33-2296	HP-1001	TrailBlazer	5.3L V8 F/I	E-1009 ♦	HP-1007
Evanda	2.0L L4 F/I	33-2253		Uplander	3.5L V6 F/I	33-2318	HP-1001
Express 1500	4.3L V6 F/I	E-1008	HP-1001	Venture	3.4L V6 F/I	33-2156	HP-1001
Express 1500	5.3L V8 F/I	E-1008	HP-1007	<b>2004 CHEVROLET</b>			
Express 2500	4.3L V6 F/I	E-1008	HP-1001	Astra	1.8L L4 F/I		HP-1001
Express 2500	4.8L V8 F/I	E-1008	HP-1007	Astro	4.3L V6 F/I	33-2225	HP-1001
Express 2500	5.3L V8 F/I	E-1008	HP-1007	Avalanche 1500	5.3L V8 F/I	33-2129 ♦	HP-1007
Express 2500	6.0L V8 F/I	E-1008	HP-1007	Avalanche 2500	8.1L V8 F/I	33-2135 ♦	HP-1011
Express 3500	4.8L V8 F/I	E-1008	HP-1007	Aveo	1.6L L4 F/I	33-2320	HP-1001
Express 3500	6.0L V8 F/I	E-1008	HP-1007	Blazer	4.3L V6 F/I	33-2042 ♦	
Impala	3.4L V6 F/I	33-2141-1	HP-1001	Blazer	4.3L V6 F/I - 2WD	33-2042	HP-1001
Impala	3.8L V6 F/I	33-2141-1 ♦	HP-1001	Blazer	4.3L V6 F/I - 4WD	33-2042	HP-2001
Kalos	1.2L L4 F/I	33-2320		Camaro	3.8L V6 F/I	33-2118	HP-1001
Kalos	1.4L L4 F/I	33-2320		Camaro	5.7L V8 F/I	33-2118	HP-1007
Kodiak CK4500	6.6L V8 DSL		HP-3003	Cavalier	2.2L L4 F/I	33-2143	HP-7000
Kodiak CK5500	6.6L V8 DSL		HP-3003	Cavalier Ecotec	2.2L L4 F/I	33-2143 ♦	HP-7000
Lacetti	1.4L L4 F/I	33-2330		Cheyenne	5.3L V8 F/I		HP-1007
Lacetti	1.6L L4 F/I	33-2330		Classic	2.2L L4 F/I		HP-7000
Lacetti	1.8L L4 F/I	33-2330		Colorado	2.8L L4 F/I	E-0773 ♦	HP-1007
Luv	2.2L L4 F/I		HP-1004	Colorado	3.5L L5 F/I	E-0773 ♦	HP-2006
Malibu	2.2L L4 F/I		HP-7000	Corsa	1.8L L4 F/I - SOHC		HP-1001
Malibu	2.2L L4 F/I - Body Code N	33-2121-1	HP-7000	Corvette	5.7L V8 F/I	33-2111 ♦	HP-1007
Malibu	2.2L L4 F/I - Body Code Z	33-2310	HP-7000	Corvette Z06	5.7L V8 F/I	33-2111 ♦	HP-1007
Malibu	3.5L V6 F/I	33-2310	HP-1001	Evanda	2.0L L4 F/I	33-2253	
Meriva	1.8L L4 F/I		HP-1001	Express 1500	4.3L V6 F/I	E-1008	HP-1001
Monte Carlo	3.4L V6 F/I	33-2141-1	HP-1001	Express 1500	5.3L V8 F/I	E-1008	HP-1007
Monte Carlo	3.8L V6 F/I	33-2141-1 ♦	HP-1001	Express 2500	4.3L V6 F/I	E-1008	HP-1001
Nubira	1.4L L4 F/I	33-2330		Express 2500	4.8L V8 F/I	E-1008	HP-1007
Nubira	1.6L L4 F/I	33-2330		Express 2500	5.3L V8 F/I	E-1008	HP-1007
Nubira	1.8L L4 F/I	33-2330		Express 2500	6.0L V8 F/I	E-1008	HP-1007
Optra	1.6L L4 F/I	33-2330		Express 3500	6.0L V8 F/I	E-1008	HP-1007
Optra	1.8L L4 F/I	33-2330		Impala	3.4L V6 F/I	33-2141-1	HP-1001
Optra	2.0L L4 F/I		HP-1001	Impala	3.8L V6 F/I	33-2141-1 ♦	HP-1001
Silverado 1500	4.3L V6 F/I	33-2129 ♦	HP-1001	Kodiak CK4500	6.6L V8 DSL		HP-3003
Silverado 1500	4.8L V8 F/I	33-2129 ♦	HP-1007	Kodiak CK5500	6.6L V8 DSL		HP-3003
Silverado 1500	5.3L V8 F/I	33-2129 ♦	HP-1007	Luv	2.2L L4 F/I		HP-1004
Silverado 1500 HD	6.0L V8 F/I	33-2135 ♦	HP-1007	Malibu	2.2L L4 F/I	33-2121-1	HP-7000
Silverado 2500 HD	6.0L V8 F/I	33-2135 ♦	HP-1007	Malibu	3.5L V6 F/I	33-2310	HP-1001
Silverado 2500 HD	6.6L V8 DSL		HP-3003	Meriva	1.8L L4 F/I		HP-1001
Silverado 2500 HD	6.6L V8 DSL - w/Panel Filter	33-2135 ♦	HP-3003	Monte Carlo	3.4L V6 F/I	33-2141-1	HP-1001
Silverado 2500 HD	6.6L V8 DSL - w/Round Filter	E-0781 ♦	HP-3003	Monte Carlo	3.8L V6 F/I	33-2141-1 ♦	HP-1001
Silverado 2500 HD	8.1L V8 F/I	33-2135 ♦	HP-1011	Optra	1.6L L4 F/I	33-2330	
Silverado 3500	6.0L V8 F/I	33-2135 ♦	HP-1007	Optra	1.8L L4 F/I	33-2330	
Silverado 3500	6.6L V8 DSL		HP-3003	Optra	2.0L L4 F/I		HP-1001
Silverado 3500	6.6L V8 DSL - w/Panel Filter	33-2135 ♦	HP-3003	Optra	2.0L L4 F/I		HP-1001
Silverado 3500	6.6L V8 DSL - w/Round Filter	E-0781 ♦	HP-3003	S10 Pickup	4.3L V6 F/I	33-2042 ♦	HP-1001
Silverado 3500	8.1L V8 F/I	33-2135 ♦	HP-1011	Silverado 1500	4.3L V6 F/I	33-2129 ♦	HP-1001
Silverado SS	6.0L V8 F/I	33-2135 ♦	HP-1007	Silverado 1500	4.8L V8 F/I	33-2129 ♦	HP-1007
				Silverado 1500	5.3L V8 F/I	33-2129 ♦	HP-1007
				Silverado 2500	6.0L V8 F/I	33-2135 ♦	HP-1007
				Silverado 2500 HD	6.0L V8 F/I	33-2135 ♦	HP-1007
				Silverado 2500 HD	6.6L V8 DSL	33-2135 ♦	HP-3003

\*Indicates 2 filters required      ♦ - Intake kit available      Applications updated daily at [knfilters.com](http://knfilters.com) ®

**Partial Listing - Complete List of Vehicles and Applications at [knfilters.com](http://knfilters.com)**

# CHEVROLET

# AIR & OIL FILTERS

Vehicle	Engine Type	Air Filter	Oil Filter	Vehicle	Engine Type	Air Filter	Oil Filter
<b>2004 CHEVROLET</b>				<b>2003 CHEVROLET</b>			
Silverado 2500 HD	8.1L V8 F/I	33-2135 ♦	HP-1011	S10 Pickup	4.3L V6 F/I	33-2042 ♦	
Silverado 3500	6.0L V8 F/I	33-2135 ♦	HP-1007	S10 Pickup	4.3L V6 F/I - 2WD	33-2042	HP-1001
Silverado 3500	6.6L V8 DSL	33-2135 ♦	HP-3003	S10 Pickup	4.3L V6 F/I - 4WD	33-2042	HP-2001
Silverado 3500	6.6L V8 DSL - LB7	33-2135	HP-3003	Silverado 1500	4.3L V6 F/I	33-2129 ♦	HP-1001
Silverado 3500	8.1L V8 F/I	33-2135 ♦	HP-1011	Silverado 1500	4.8L V8 F/I	33-2129 ♦	HP-1007
Silverado SS	6.0L V8 F/I	33-2135 ♦	HP-1007	Silverado 1500	5.3L V8 F/I	33-2129 ♦	HP-1007
Sonora	5.3L V8 F/I		HP-1007	Silverado 1500 HD	6.0L V8 F/I	33-2135 ♦	HP-1007
SSR	5.3L V8 F/I	33-2322 ♦	HP-1007	Silverado 2500	6.0L V8 F/I	33-2135 ♦	HP-1007
Suburban 1500	5.3L V8 F/I	33-2129 ♦	HP-1007	Silverado 2500 HD	6.0L V8 F/I	33-2135 ♦	HP-1007
Suburban 2500	6.0L V8 F/I	33-2135 ♦	HP-1007	Silverado 2500 HD	6.6L V8 DSL	33-2135 ♦	HP-3003
Suburban 2500	8.1L V8 F/I	33-2135 ♦	HP-1011	Silverado 2500 HD	8.1L V8 F/I	33-2135 ♦	HP-1011
Tahoe	4.8L V8 F/I	33-2129 ♦	HP-1007	Silverado 3500	6.0L V8 F/I	33-2135 ♦	HP-1007
Tahoe	5.3L V8 F/I	33-2129 ♦	HP-1007	Silverado 3500	6.6L V8 DSL	33-2135 ♦	HP-3003
Tavera	2.5L L4 DSL	E-2298		Silverado 3500	8.1L V8 F/I	33-2135 ♦	HP-1011
Tornado	1.8L L4 F/I		HP-1001	Silverado SS	6.0L V8 F/I	33-2135 ♦	HP-1007
Tracker	2.0L L4 F/I		HP-1003	Sonora	5.3L V8 F/I		HP-1007
Tracker	2.5L V6 F/I	33-2155	HP-1002	SSR	5.3L V8 F/I		HP-1007
TrailBlazer	4.2L L6 F/I	E-1009 ♦	HP-2006	Suburban 1500	5.3L V8 F/I	33-2129 ♦	HP-1007
TrailBlazer	4.2L V6 F/I	E-1009 ♦	HP-2006	Suburban 2500	6.0L V8 F/I	33-2135 ♦	HP-1007
TrailBlazer	5.3L V8 F/I	E-1009 ♦	HP-1007	Suburban 2500	8.1L V8 F/I	33-2135 ♦	HP-1011
Venture	3.4L V6 F/I	33-2156	HP-1001	Swing	1.4L L4 F/I		HP-1001
<b>2003 CHEVROLET</b>				<b>2002 CHEVROLET</b>			
Astra	1.8L L4 F/I		HP-1001	Astra	1.8L L4 F/I		HP-1001
Astro	4.3L V6 F/I	33-2225	HP-1001	Astro	4.3L V6 F/I	33-2225	HP-1001
Avalanche 1500	5.3L V8 F/I	33-2129 ♦	HP-1007	Avalanche 1500	5.3L V8 F/I	33-2129 ♦	HP-2006
Avalanche 2500	8.1L V8 F/I	33-2135 ♦	HP-1011	Avalanche 2500	8.1L V8 F/I	33-2135 ♦	HP-1011
Blazer	3.0L V6 F/I - China	E-2017		Blazer	4.3L V6 F/I	33-2042 ♦	
Blazer	4.3L V6 F/I	33-2042 ♦		Blazer	4.3L V6 F/I - 2WD	33-2042	HP-1001
Blazer	4.3L V6 F/I - 2WD	33-2042	HP-1001	Blazer	4.3L V6 F/I - 4WD	33-2042	HP-2001
Blazer	4.3L V6 F/I - 4WD	33-2042	HP-2001	C3500	6.5L V8 DSL		HP-3002
Camaro	3.8L V6 F/I	33-2118	HP-1001	C3500	8.1L V8 F/I	33-2135	HP-1011
Camaro	5.7L V8 F/I	33-2118	HP-1007	Camaro	3.8L V6 F/I	33-2118 ♦	HP-1001
Cavalier	2.2L L4 F/I	33-2143	HP-7000	Camaro	5.7L V8 F/I	33-2118 ♦	HP-1007
		33-2143 ♦	HP-7000	Cavalier	2.2L L4 F/I	33-2143	HP-1001
Cavalier Ecotec	2.2L L4 F/I	33-2143 ♦	HP-7000	Cavalier	2.4L L4 F/I	33-2143	HP-1007
Cheyenne	5.3L V8 F/I		HP-1007	Cavalier Ecotec	2.2L L4 F/I	33-2143 ♦	HP-7000
Corsa	1.8L L4 F/I - SOHC		HP-1001	Cheyenne	5.3L V8 F/I		HP-1007
Corvette	5.7L V8 F/I	33-2111 ♦	HP-1007	Corvette	5.7L V8 F/I	33-2111 ♦	HP-1007
Corvette Z06	5.7L V8 F/I	33-2111 ♦	HP-1007	Corvette Z06	5.7L V8 F/I	33-2111 ♦	HP-1007
Evanda	2.0L L4 F/I	33-2253		Evanda	2.0L L4 F/I	33-2253	
Express 1500	4.3L V6 F/I	E-1008	HP-1001	Express 1500	4.3L V6 F/I	E-1008	HP-1001
Express 1500	5.3L V8 F/I	E-1008	HP-1007	Express 1500	5.0L V8 F/I	E-1008	HP-3002
Express 2500	4.3L V6 F/I	E-1008	HP-1001	Express 1500	5.7L V8 F/I	E-1008	HP-3002
Express 2500	4.8L V8 F/I	E-1008	HP-1007	Express 2500	4.3L V6 F/I	E-1008	HP-1001
Express 2500	5.3L V8 F/I	E-1008	HP-1007	Express 2500	5.0L V8 F/I	E-1008	HP-3002
Express 2500	6.0L V8 F/I	E-1008	HP-1007	Express 2500	5.7L V8 F/I	E-1008	HP-3002
Express 3500	6.0L V8 F/I	E-1008	HP-1007	Express 2500	6.5L V8 DSL	33-2111	HP-3002
Impala	3.4L V6 F/I	33-2141-1	HP-1001	Express 3500	5.7L V8 F/I	E-1008	HP-3002
Impala	3.8L V6 F/I	33-2141-1 ♦	HP-1001	Express 3500	6.5L V8 DSL	33-2111	HP-3002
Joy	1.4L L4 F/I		HP-1001	Express 3500	8.1L V8 F/I	E-1008	HP-1011
Kodiak CK4500	6.6L V8 DSL		HP-3003	Impala	3.4L V6 F/I	33-2141-1	HP-1001
Kodiak CK5500	6.6L V8 DSL		HP-3003	Impala	3.8L V6 F/I	33-2141-1 ♦	HP-1001
Luv	2.2L L4 F/I		HP-1004	Joy	1.4L L4 F/I		HP-1001
Malibu	3.1L V6 F/I	33-2121-1	HP-1001	Joy	1.6L L4 F/I		HP-1001
Meriva	1.8L L4 F/I		HP-1001	Luv	2.2L L4 F/I		HP-1004
Metro	1.3L L4 F/I	E-9132					
Monte Carlo	3.4L V6 F/I	33-2141-1	HP-1001				
Monte Carlo	3.8L V6 F/I	33-2141-1 ♦	HP-1001				
Monza	1.4L L4 F/I		HP-1001				
Optra	1.6L L4 F/I	33-2330					
Optra	1.8L L4 F/I	33-2330					
Pop	1.4L L4 F/I		HP-1001				
S10 Pickup	2.2L L4 F/I	33-2042 ♦	HP-1001				

\*Indicates 2 filters required

♦ - Intake kit available

Applications updated daily at [knfilters.com](http://knfilters.com) ®

# AIR & OIL FILTERS

# CHEVROLET

Vehicle	Engine Type	Air Filter	Oil Filter	Vehicle	Engine Type	Air Filter	Oil Filter
<b>2002 CHEVROLET</b>				<b>2001 CHEVROLET</b>			
Malibu	3.1L V6 F/I	33-2121-1	HP-1001	Impala	3.4L V6 F/I	33-2141-1	HP-1001
Metro	1.3L L4 F/I	E-9132		Impala	3.8L V6 F/I	33-2141-1 ♦	HP-1001
Monte Carlo	3.4L V6 F/I	33-2141-1	HP-1001	Joy	1.4L L4 F/I		HP-1001
Monte Carlo	3.8L V6 F/I	33-2141-1 ♦	HP-1001	Joy	1.6L L4 F/I		HP-1001
Monza	1.4L L4 F/I		HP-1001	Lumina	3.1L V6 F/I	33-2063-1	HP-1001
Monza	1.6L L4 F/I		HP-1001	Luv	2.3L L4 F/I		HP-1004
Pop	1.4L L4 F/I		HP-1001	Malibu	3.1L V6 F/I	33-2121-1	HP-1001
Pop	1.6L L4 F/I		HP-1001	Metro	1.3L L4 F/I	E-9132	HP-1002
Prizm	1.8L L4 F/I		HP-1003	Monte Carlo	3.4L V6 F/I	33-2141-1	HP-1001
S10 Pickup	2.2L L4 F/I	33-2042 ♦	HP-1001	Monte Carlo	3.8L V6 F/I	33-2141-1 ♦	HP-1001
S10 Pickup	4.3L V6 F/I	33-2042 ♦		Monza	1.4L L4 F/I		HP-1001
S10 Pickup	4.3L V6 F/I - 2WD	33-2042	HP-1001	Monza	1.6L L4 F/I		HP-1001
S10 Pickup	4.3L V6 F/I - 4WD	33-2042	HP-2001	Pop	1.4L L4 F/I		HP-1001
Silverado 1500	4.3L V6 F/I	33-2129 ♦	HP-1001	Pop	1.6L L4 F/I		HP-1001
Silverado 1500	4.8L V8 F/I	33-2129 ♦	HP-2006	Prizm	1.8L L4 F/I		HP-1003
Silverado 1500	5.3L V8 F/I	33-2129 ♦	HP-2006	S10 Pickup	2.2L L4 F/I	33-2042 ♦	HP-1001
Silverado 1500 HD	6.0L V8 F/I	33-2135 ♦	HP-2006	S10 Pickup	4.3L V6 F/I	33-2042 ♦	
Silverado 2500	6.0L V8 F/I	33-2135 ♦	HP-2006	S10 Pickup	4.3L V6 F/I - 2WD	33-2042	HP-1001
Silverado 2500 HD	6.0L V8 F/I	33-2135 ♦	HP-2006	S10 Pickup	4.3L V6 F/I - 4WD	33-2042	HP-2001
Silverado 2500 HD	6.6L V8 DSL	33-2135 ♦	HP-3003	Silverado 1500	4.3L V6 F/I	33-2129 ♦	HP-1001
Silverado 2500 HD	8.1L V8 F/I	33-2135 ♦	HP-1011	Silverado 1500	4.8L V8 F/I	33-2129 ♦	HP-2006
Silverado 3500	6.0L V8 F/I	33-2135 ♦	HP-2006	Silverado 1500	5.3L V8 F/I	33-2129 ♦	HP-2006
Silverado 3500	6.6L V8 DSL	33-2135 ♦	HP-3003	Silverado 1500 HD	6.0L V8 F/I	33-2135 ♦	HP-2006
Silverado 3500	8.1L V8 F/I	33-2135 ♦	HP-1011	Silverado 2500	6.0L V8 F/I	33-2135 ♦	HP-2006
Sonora	5.3L V8 F/I		HP-1007	Silverado 2500 HD	6.0L V8 F/I	33-2135 ♦	HP-2006
Suburban 1500	5.3L V8 F/I	33-2129 ♦	HP-2006	Silverado 2500 HD	6.6L V8 DSL	33-2135 ♦	HP-3003
Suburban 2500	6.0L V8 F/I	33-2135 ♦	HP-2006	Silverado 2500 HD	8.1L V8 F/I	33-2135 ♦	HP-1011
Suburban 2500	8.1L V8 F/I	33-2135 ♦	HP-1011	Silverado 3500	6.0L V8 F/I	33-2135 ♦	HP-2006
Swing	1.4L L4 F/I		HP-1001	Silverado 3500	6.6L V8 DSL	33-2135 ♦	HP-3003
Swing	1.6L L4 F/I		HP-1001	Silverado 3500	8.1L V8 F/I	33-2135 ♦	HP-1011
Tahoe	4.8L V8 F/I	33-2129 ♦	HP-2006	Sonora	5.7L V8 F/I		HP-3002
Tahoe	5.3L V8 F/I	33-2129 ♦	HP-2006	Suburban 1500	5.3L V8 F/I	33-2129 ♦	HP-2006
Tracker	1.6L L4 F/I		HP-1003	Suburban 2500	6.0L V8 F/I	33-2135 ♦	HP-2006
Tracker	2.0L L4 F/I	33-2155	HP-1003	Suburban 2500	8.1L V8 F/I	33-2135 ♦	HP-1011
Tracker	2.5L V6 F/I	33-2155	HP-1002	Swing	1.4L L4 F/I		HP-1001
TrailBlazer	4.2L L6 F/I	E-1009 ♦	HP-2006	Swing	1.6L L4 F/I		HP-1001
TrailBlazer	4.2L V6 F/I	E-1009 ♦	HP-2006	Tahoe	4.8L V8 F/I	33-2129 ♦	HP-2006
Venture	3.4L V6 F/I	33-2156	HP-1001	Tahoe	5.3L V8 F/I	33-2129 ♦	HP-2006
<b>2001 CHEVROLET</b>				<b>2000 CHEVROLET</b>			
Astro	4.3L V6 F/I	33-2225	HP-1001	Tracker	1.6L L4 F/I		HP-1003
Avalanche 2500	8.1L V8 F/I	33-2135	HP-1011	Tracker	2.0L L4 F/I	33-2155	HP-1003
Blazer	4.3L V6 F/I	33-2042 ♦		Tracker	2.5L V6 F/I	33-2155	HP-1002
Blazer	4.3L V6 F/I - 2WD	33-2042	HP-1001	Venture	3.4L V6 F/I	33-2156	HP-1001
Blazer	4.3L V6 F/I - 4WD	33-2042	HP-2001	<b>2000 CHEVROLET</b>			
C3500	6.5L V8 DSL		HP-3002	Astro	4.3L V6 F/I	33-2225	HP-1001
C3500	8.1L V8 F/I	33-2135	HP-1011	Avalanche 2500	8.1L V8 F/I	33-2135	HP-1011
Camaro	3.8L V6 F/I	33-2118 ♦	HP-1001	Blazer	2.4L L4 F/I	E-2016	
Camaro	5.7L V8 F/I	33-2118 ♦	HP-1007	Blazer	4.3L V6 F/I	33-2042 ♦	
Cavalier	2.2L L4 F/I	33-2143	HP-1001	Blazer	4.3L V6 F/I - 2WD	33-2042	HP-1001
Cavalier	2.4L L4 F/I	33-2143	HP-1007	Blazer	4.3L V6 F/I - 4WD	33-2042	HP-2001
Cheyenne	5.7L V8 F/I		HP-3002	C35	5.7L V8 F/I	E-1796 ♦	HP-3002
Corvette	5.7L V8 F/I	33-2111 ♦	HP-1007	C2500	5.7L V8 F/I	E-1796 ♦	HP-3002
Corvette Z06	5.7L V8 F/I	33-2111 ♦	HP-1007	C2500	6.5L V8 DSL	E-1796	HP-3002
Express 1500	4.3L V6 F/I	E-1008	HP-1001	C2500	7.4L V8 F/I	E-1796 ♦	HP-3002
Express 1500	5.0L V8 F/I	E-1008	HP-3002	C3500	5.7L V8 F/I	E-1796 ♦	HP-3002
Express 1500	5.7L V8 F/I	E-1008	HP-3002	C3500	6.5L V8 DSL	E-1796	HP-3002
Express 2500	4.3L V6 F/I	E-1008	HP-1001	C3500	7.4L V8 F/I	E-1796 ♦	HP-3002
Express 2500	5.0L V8 F/I	E-1008	HP-3002	Camaro	3.8L V6 F/I	33-2118 ♦	HP-1001
Express 2500	5.7L V8 F/I	E-1008	HP-3002	Camaro	5.7L V8 F/I	33-2118 ♦	HP-1007
Express 2500	6.5L V8 DSL	33-2111	HP-3002	Cavalier	2.2L L4 F/I	33-2143	HP-1001
Express 3500	5.7L V8 F/I	E-1008	HP-3002	Cavalier	2.4L L4 F/I	33-2143	HP-1007
Express 3500	6.5L V8 DSL	33-2111	HP-3002	Chevyenne	5.7L V8 F/I		HP-3002
Express 3500	8.1L V8 F/I	E-1008	HP-1011	Corvette	5.7L V8 F/I	33-2111 ♦	HP-1007
				Express 1500	4.3L V6 F/I	33-2111	HP-1001

\*Indicates 2 filters required

♦ - Intake kit available

Applications updated daily at [knfilters.com](http://knfilters.com) ®

Partial Listing - Complete List of Vehicles and Applications at [knfilters.com](http://knfilters.com)

# CHEVROLET

# AIR & OIL FILTERS

Vehicle	Engine Type	Air Filter	Oil Filter	Vehicle	Engine Type	Air Filter	Oil Filter
<b>2000 CHEVROLET</b>				<b>1999 CHEVROLET</b>			
Express 1500	5.0L V8 F/I	33-2111	HP-3002	C1500 Suburban	6.5L V8 DSL	E-1796	HP-3002
Express 1500	5.7L V8 F/I	33-2111	HP-3002	C2500	5.0L V8 F/I	E-1796 ♦	HP-3002
Express 2500	4.3L V6 F/I	33-2111	HP-1001	C2500	5.7L V8 F/I	E-1796 ♦	HP-3002
Express 2500	5.0L V8 F/I	33-2111	HP-3002	C2500	6.5L V8 DSL	E-1796	HP-3002
Express 2500	5.7L V8 F/I	33-2111	HP-3002	C2500	7.4L V8 F/I	E-1796 ♦	HP-3002
Express 2500	6.5L V8 DSL	33-2111	HP-3002	C2500 Suburban	5.7L V8 F/I	E-1796 ♦	HP-3002
Express 3500	5.7L V8 F/I	33-2111	HP-3002	C2500 Suburban	6.5L V8 DSL	E-1796	HP-3002
Express 3500	6.5L V8 DSL	33-2111	HP-3002	C2500 Suburban	7.4L V8 F/I	E-1796 ♦	HP-3002
Express 3500	7.4L V8 F/I	33-2111	HP-3002	C3500	5.7L V8 F/I	E-1796 ♦	HP-3002
Express 3500	7.4L V8 F/I - Long Filter	33-2111	HP-3002	C3500	6.5L V8 DSL	E-1796	HP-3002
Express 3500	7.4L V8 F/I - short filter	33-2111	HP-1011	C3500	7.4L V8 F/I	E-1796 ♦	HP-3002
Impala	3.4L V6 F/I	33-2141-1	HP-1001	Camaro	3.8L V6 F/I	33-2118 ♦	HP-1001
Impala	3.8L V6 F/I	33-2141-1 ♦	HP-1001	Camaro	5.7L V8 F/I	33-2118 ♦	HP-1007
Joy	1.4L L4 F/I		HP-1001	Cavalier	2.2L L4 F/I	33-2143	HP-1001
Joy	1.6L L4 F/I		HP-1001	Cavalier	2.4L L4 F/I	33-2143	HP-1007
K2500	5.7L V8 F/I	E-1796 ♦	HP-2001	Chevyenne	5.7L V8 F/I		HP-3002
K2500	6.5L V8 DSL	E-1796	HP-3002	Corvette	5.7L V8 F/I	33-2111 ♦	HP-1007
K2500	7.4L V8 F/I	E-1796 ♦	HP-1011	Express 1500	4.3L V6 F/I	33-2111	HP-2001
K3500	5.7L V8 F/I	E-1796 ♦	HP-2001	Express 1500	5.0L V8 F/I	33-2111	HP-3002
K3500	6.5L V8 DSL	E-1796	HP-3002	Express 1500	5.7L V8 F/I	33-2111	HP-3002
K3500	7.4L V8 F/I	E-1796 ♦	HP-1011	Express 2500	4.3L V6 F/I	33-2111	HP-2001
Lumina	3.1L V6 F/I	33-2063-1	HP-1001	Express 2500	5.0L V8 F/I	33-2111	HP-3002
Luv	2.3L L4 F/I		HP-1004	Express 2500	5.7L V8 F/I	33-2111	HP-3002
Malibu	3.1L V6 F/I	33-2121-1	HP-1001	Express 2500	6.5L V8 DSL	33-2111	HP-3002
Metro	1.0L L3 F/I	E-9209	HP-1002	Express 3500	5.7L V8 F/I	33-2111	HP-3002
Metro	1.3L L4 F/I	E-9132	HP-1002	Express 3500	6.5L V8 DSL	33-2111	HP-3002
Monte Carlo	3.4L V6 F/I	33-2141-1	HP-1001	Express 3500	7.4L V8 F/I	33-2111	
Monte Carlo	3.8L V6 F/I	33-2141-1 ♦	HP-1001	Express 3500	7.4L V8 F/I - Long Filter	33-2111	HP-3002
Monza	1.4L L4 F/I		HP-1001	Express 3500	7.4L V8 F/I - short filter	33-2111	HP-1011
Monza	1.6L L4 F/I		HP-1001	Joy	1.4L L4 F/I		HP-1001
Pop	1.4L L4 F/I		HP-1001	Joy	1.6L L4 F/I		HP-1001
Pop	1.6L L4 F/I		HP-1001	K1500	5.0L V8 F/I	E-1796 ♦	HP-2001
Prizm	1.8L L4 F/I		HP-1003	K1500	5.7L V8 F/I	E-1796 ♦	HP-2001
S10 Pickup	2.2L L4 F/I	33-2042 ♦	HP-1001	K1500 Suburban	5.7L V8 F/I	E-1796 ♦	HP-2001
S10 Pickup	4.3L V6 F/I	33-2042 ♦		K1500 Suburban	6.5L V8 DSL	E-1796	HP-3002
S10 Pickup	4.3L V6 F/I - 2WD	33-2042	HP-1001	K2500	5.0L V8 F/I	E-1796 ♦	HP-2001
S10 Pickup	4.3L V6 F/I - 4WD	33-2042	HP-2001	K2500	5.7L V8 F/I	E-1796 ♦	HP-2001
Silverado 1500	4.3L V6 F/I	33-2129 ♦	HP-2001	K2500	6.5L V8 DSL	E-1796	HP-3002
Silverado 1500	4.8L V8 F/I	33-2129 ♦	HP-2006	K2500	7.4L V8 F/I	E-1796 ♦	HP-1011
Silverado 1500	5.3L V8 F/I	33-2129 ♦	HP-2006	K2500 Suburban	5.7L V8 F/I	E-1796 ♦	HP-2001
Silverado 2500	5.3L V8 F/I	33-2129 ♦	HP-2006	K2500 Suburban	6.5L V8 DSL	E-1796	HP-3002
Silverado 2500	6.0L V8 F/I	33-2135 ♦	HP-2006	K2500 Suburban	7.4L V8 F/I	E-1796 ♦	HP-1011
Suburban 1500	5.3L V8 F/I	33-2129 ♦	HP-2006	K3500	5.7L V8 F/I	E-1796 ♦	HP-2001
Suburban 2500	5.3L V8 F/I	33-2129 ♦	HP-2006	K3500	6.5L V8 DSL	E-1796	HP-3002
Suburban 2500	6.0L V8 F/I	33-2135 ♦	HP-2006	K3500	7.4L V8 F/I	E-1796 ♦	HP-1011
Swing	1.4L L4 F/I		HP-1001	Lumina	3.1L V6 F/I	33-2063-1	HP-1001
Swing	1.6L L4 F/I		HP-1001	Lumina	3.8L V6 F/I	33-2063-1	HP-1001
Tahoe	4.8L V8 F/I	33-2129 ♦	HP-2006	Luv	2.3L L4 F/I		HP-1004
Tahoe	5.3L V8 F/I	33-2129 ♦	HP-2006	Malibu	2.4L L4 F/I	33-2121-1	HP-1007
Tahoe	5.7L V8 F/I	E-1796 ♦		Malibu	3.1L V6 F/I	33-2121-1	HP-1001
Tahoe	5.7L V8 F/I - 2WD	E-1796	HP-3002	Metro	1.0L L3 F/I	E-9209	HP-1002
Tahoe	5.7L V8 F/I - 4WD	E-1796	HP-2001	Metro	1.3L L4 F/I	E-9132	HP-1002
Tigra	1.6L L4 F/I		HP-1001	Monte Carlo	3.1L V6 F/I	33-2063-1	HP-1001
Tracker	1.6L L4 F/I	33-2155	HP-1002	Monte Carlo	3.8L V6 F/I	33-2063-1	HP-1001
Tracker	2.0L L4 F/I	33-2155	HP-1003	Monza	1.4L L4 F/I		HP-1001
Venture	3.4L V6 F/I	33-2156	HP-1001	Monza	1.6L L4 F/I		HP-1001
<b>1999 CHEVROLET</b>				P30	4.3L V6 F/I	33-2111	HP-1001
Astro	4.3L V6 F/I	33-2225	HP-2001	P30	5.7L V8 F/I	33-2111	HP-2001
Blazer	4.3L V6 F/I	33-2042 ♦	HP-2001	P30	6.5L V8 DSL	33-2062-1	HP-3002
C35	5.7L V8 F/I	E-1796 ♦	HP-3002	P30	7.4L V8 F/I - VIN B	33-2111	HP-3002
C1500	5.0L V8 F/I	E-1796 ♦	HP-3002	P30	7.4L V8 F/I - VIN J	33-2111	HP-1011
C1500	5.7L V8 F/I	E-1796 ♦	HP-3002	Pop	1.4L L4 F/I		HP-1001
C1500 Suburban	5.7L V8 F/I	E-1796 ♦	HP-3002	Pop	1.6L L4 F/I		HP-1001

\*Indicates 2 filters required

♦ - Intake kit available

Applications updated daily at [knfilters.com](http://knfilters.com) ®

# AIR & OIL FILTERS

# CHEVROLET

Vehicle	Engine Type	Air Filter	Oil Filter	Vehicle	Engine Type	Air Filter	Oil Filter
<b>1999 CHEVROLET</b>				<b>1998 CHEVROLET</b>			
Prizm	1.8L L4 F/I	33-2672	HP-1003	K2500	5.7L V8 F/I	E-1796 ♦	HP-2001
S10 Pickup	2.2L L4 F/I	33-2042 ♦	HP-1001	K2500	6.5L V8 DSL	E-1796	HP-3002
S10 Pickup	4.3L V6 F/I	33-2042 ♦	HP-2001	K2500	7.4L V8 F/I	E-1796 ♦	HP-3002
Silverado 1500	4.3L V6 F/I	33-2129 ♦	HP-2001	K2500 Suburban	5.7L V8 F/I	E-1796 ♦	HP-2001
Silverado 1500	4.8L V8 F/I	33-2129 ♦	HP-2006	K2500 Suburban	6.5L V8 DSL	E-1796	HP-3002
Silverado 1500	5.3L V8 F/I	33-2129 ♦	HP-2006	K2500 Suburban	7.4L V8 F/I	E-1796 ♦	HP-3002
Silverado 2500	5.3L V8 F/I	33-2129 ♦	HP-2006	K3500	5.7L V8 F/I	E-1796 ♦	HP-2001
Silverado 2500	6.0L V8 F/I	33-2135 ♦	HP-2006	K3500	6.5L V8 DSL	E-1796	HP-3002
Swing	1.4L L4 F/I		HP-1001	K3500	7.4L V8 F/I	E-1796 ♦	HP-3002
Swing	1.6L L4 F/I		HP-1001	Lumina	3.1L V6 F/I	33-2063-1	HP-1001
Tahoe	5.7L V8 F/I	E-1796 ♦		Lumina	3.8L V6 F/I	33-2063-1	HP-1001
Tahoe	5.7L V8 F/I - 2WD	E-1796	HP-3002	Luv	2.3L L4 F/I		HP-1004
Tahoe	5.7L V8 F/I - 4WD	E-1796	HP-2001	Malibu	2.4L L4 F/I	33-2121-1	HP-1007
Tahoe	6.5L V8 DSL	E-1796	HP-3002	Malibu	3.1L V6 F/I	33-2121-1	HP-1001
Tigra	1.6L L4 F/I		HP-1001	Metro	1.0L L3 F/I	E-9209	HP-1002
Tracker	1.6L L4 F/I	33-2155	HP-1002	Metro	1.3L L4 F/I	E-9132	HP-1002
Tracker	2.0L L4 F/I	33-2155	HP-1003	Monte Carlo	3.1L V6 F/I	33-2063-1	HP-1001
Venture	3.4L V6 F/I	33-2156	HP-1001	Monte Carlo	3.8L V6 F/I	33-2063-1	HP-1001
<b>1998 CHEVROLET</b>				<b>1997 CHEVROLET</b>			
Astro	4.3L V6 F/I	33-2225	HP-2001	Monza	1.4L L4 F/I		HP-1001
Blazer	4.3L V6 F/I	33-2042 ♦	HP-2001	Monza	1.6L L4 F/I		HP-1001
C35	5.7L V8 F/I	E-1796 ♦	HP-3002	P30	4.3L V6 F/I	33-2111	HP-2001
C1500	4.3L V6 F/I	E-1796 ♦	HP-2001	P30	5.7L V8 F/I	33-2111	HP-2001
C1500	5.0L V8 F/I	E-1796 ♦	HP-3002	P30	6.5L V8 DSL	33-2062-1	HP-3002
C1500	5.7L V8 F/I	E-1796 ♦	HP-3002	P30	7.4L V8 F/I	33-2111	HP-3002
C1500	6.5L V8 DSL	E-1796	HP-3002	Pop	1.4L L4 F/I		HP-1001
C1500 Suburban	5.7L V8 F/I	E-1796 ♦	HP-3002	Pop	1.6L L4 F/I		HP-1001
C1500 Suburban	6.5L V8 DSL	E-1796	HP-3002	Prizm	1.8L L4 F/I	33-2672	HP-1003
C2500	5.0L V8 F/I	E-1796 ♦	HP-3002	S10 Pickup	2.2L L4 F/I	33-2042 ♦	HP-1001
C2500	5.7L V8 F/I	E-1796 ♦	HP-3002	S10 Pickup	4.3L V6 F/I	33-2042 ♦	HP-2001
C2500	6.5L V8 DSL	E-1796	HP-3002	Swing	1.4L L4 F/I		HP-1001
C2500	7.4L V8 F/I	E-1796 ♦	HP-3002	Swing	1.6L L4 F/I		HP-1001
C2500 Suburban	5.7L V8 F/I	E-1796 ♦	HP-3002	Tahoe	5.7L V8 F/I	E-1796 ♦	
C2500 Suburban	6.5L V8 DSL	E-1796	HP-3002	Tahoe	5.7L V8 F/I - 2WD	E-1796	HP-3002
C2500 Suburban	7.4L V8 F/I	E-1796 ♦	HP-3002	Tahoe	5.7L V8 F/I - 4WD	E-1796	HP-2001
C3500	5.7L V8 F/I	E-1796 ♦	HP-3002	Tahoe	6.5L V8 DSL	E-1796	HP-3002
C3500	6.5L V8 DSL	E-1796	HP-3002	Tracker	1.6L L4 F/I	33-2065	HP-1002
C3500	7.4L V8 F/I	E-1796 ♦	HP-3002	Venture	3.4L V6 F/I	33-2156	HP-1001
Camaro	3.8L V6 F/I	33-2118	HP-1001	<b>1997 CHEVROLET</b>			
Camaro	5.7L V8 F/I	33-2118 ♦	HP-1007	Astro	4.3L V6 F/I	33-2225	HP-2001
Cavalier	2.2L L4 F/I	33-2143	HP-1001	Blazer	4.3L V6 F/I	33-2042 ♦	HP-2001
Cavalier	2.4L L4 F/I	33-2143	HP-1007	C35	5.7L V8 F/I	E-1796 ♦	HP-3002
Cheyenne	5.7L V8 F/I		HP-3002	C1500	4.3L V6 F/I	E-1796 ♦	HP-2001
Corvette	5.7L V8 F/I	33-2111 ♦	HP-1007	C1500	5.0L V8 F/I	E-1796 ♦	HP-3002
Express 1500	4.3L V6 F/I	33-2111	HP-2001	C1500	5.7L V8 F/I	E-1796 ♦	HP-3002
Express 1500	5.0L V8 F/I		HP-3002	C1500	6.5L V8 DSL	E-1796	HP-3002
Express 1500	5.7L V8 F/I	33-2111	HP-3002	C1500 Suburban	5.7L V8 F/I	E-1796 ♦	HP-3002
Express 2500	4.3L V6 F/I	33-2111	HP-2001	C1500 Suburban	6.5L V8 DSL	E-1796	HP-3002
Express 2500	5.0L V8 F/I		HP-3002	C2500	5.0L V8 F/I	E-1796	HP-3002
Express 2500	5.7L V8 F/I	33-2111	HP-3002	C2500	5.7L V8 F/I	E-1796 ♦	HP-3002
Express 2500	6.5L V8 DSL	33-2111	HP-3002	C2500	6.5L V8 DSL	E-1796	HP-3002
Express 3500	5.7L V8 F/I	33-2111	HP-3002	C2500	7.4L V8 F/I	E-1796 ♦	HP-3002
Express 3500	6.5L V8 DSL	33-2111	HP-3002	C2500 Suburban	5.7L V8 F/I	E-1796 ♦	HP-3002
Express 3500	7.4L V8 F/I	33-2111	HP-3002	C2500 Suburban	6.5L V8 DSL	E-1796	HP-3002
Joy	1.4L L4 F/I		HP-1001	C2500 Suburban	7.4L V8 F/I	E-1796 ♦	HP-3002
Joy	1.6L L4 F/I		HP-1001	C3500	5.7L V8 F/I	E-1796 ♦	HP-3002
K1500	4.3L V6 F/I	E-1796	HP-2001	C3500	6.5L V8 DSL	E-1796	HP-3002
K1500	5.0L V8 F/I	E-1796 ♦	HP-2001	C3500	7.4L V8 F/I	E-1796 ♦	HP-3002
K1500	5.7L V8 F/I	E-1796 ♦	HP-2001	Camaro	3.8L V6 F/I	33-2042	HP-1001
K1500	6.5L V8 DSL	E-1796	HP-3002	Camaro	5.7L V8 F/I		HP-2002
K1500 Suburban	5.7L V8 F/I	E-1796 ♦	HP-2001	Camaro	5.7L V8 F/I - exc. SS	33-2042 ♦	HP-2002
K1500 Suburban	6.5L V8 DSL	E-1796	HP-3002	Cavalier	2.2L L4 F/I	33-2143	HP-1001
K2500	5.0L V8 F/I	E-1796 ♦	HP-2001	Cavalier	2.4L L4 F/I	33-2143	HP-1007
				Cheyenne	5.7L V8 F/I		HP-3002

\*Indicates 2 filters required      ♦ - Intake kit available      Applications updated daily at [knfilters.com](http://knfilters.com) ®

**Partial Listing - Complete List of Vehicles and Applications at [knfilters.com](http://knfilters.com)**



# CHEVROLET

# AIR & OIL FILTERS

Vehicle	Engine Type	Air Filter	Oil Filter	Vehicle	Engine Type	Air Filter	Oil Filter
<b>1997 CHEVROLET</b>				<b>1996 CHEVROLET</b>			
Corvette	5.7L V8 F/I	33-2111 ♦	HP-1007	C2500	5.0L V8 F/I	E-1796	HP-3002
Express 1500	4.3L V6 F/I	33-2111	HP-2001	C2500	5.7L V8 F/I	E-1796 ♦	HP-3002
Express 1500	5.0L V8 F/I		HP-3002	C2500	6.5L V8 DSL	33-2062-1	HP-3002
Express 1500	5.7L V8 F/I	33-2111	HP-3002	C2500	7.4L V8 F/I	E-1796 ♦	HP-3002
Express 2500	4.3L V6 F/I	33-2111	HP-2001	C2500 Suburban	5.7L V8 F/I	E-1796 ♦	HP-3002
Express 2500	5.7L V8 F/I	33-2111	HP-3002	C2500 Suburban	6.5L V8 DSL	33-2062-1	HP-3002
Express 2500	6.5L V8 DSL	33-2111	HP-3002	C2500 Suburban	7.4L V8 F/I	E-1796 ♦	HP-3002
Express 3500	5.7L V8 F/I	33-2111	HP-3002	C3500	5.7L V8 F/I	E-1796 ♦	HP-3002
Express 3500	6.5L V8 DSL	33-2111	HP-3002	C3500	6.5L V8 DSL	33-2062-1	HP-3002
Express 3500	7.4L V8 F/I	33-2111	HP-3002	C3500	7.4L V8 F/I	E-1796 ♦	HP-3002
Joy	1.4L L4 F/I		HP-1001	Camaro	3.8L V6 F/I	33-2042	HP-1001
Joy	1.6L L4 F/I		HP-1001	Camaro	5.7L V8 F/I		HP-2002
K1500	4.3L V6 F/I	E-1796 ♦	HP-2001	Camaro	5.7L V8 F/I - exc. SS	33-2042 ♦	HP-2002
K1500	5.0L V8 F/I	E-1796 ♦	HP-2001	Caprice	4.3L V8 F/I	33-2057	HP-2001
K1500	5.7L V8 F/I	E-1796 ♦	HP-2001	Caprice	5.7L V8 F/I	33-2057 ♦	HP-2001
K1500	6.5L V8 DSL	E-1796	HP-3002	Cavalier	2.2L L4 F/I	33-2143	HP-1001
K1500 Suburban	5.7L V8 F/I	E-1796 ♦	HP-2001	Cavalier	2.4L L4 F/I	33-2143	HP-1007
K1500 Suburban	6.5L V8 DSL	E-1796	HP-3002	Chevyenne	5.7L V8 F/I		HP-3002
K2500	5.7L V8 F/I	E-1796 ♦	HP-2001	Corsica	2.2L L4 F/I	33-2068	HP-1001
K2500	6.5L V8 DSL	E-1796	HP-3002	Corsica	3.1L V6 F/I	33-2068	HP-1001
K2500	7.4L V8 F/I	E-1796 ♦	HP-3002	Corvette	5.7L V8 F/I	33-2035	HP-2001
K2500 Suburban	5.7L V8 F/I	E-1796 ♦	HP-2001	Express 1500	4.3L V6 F/I	33-2111	HP-2001
K2500 Suburban	6.5L V8 DSL	E-1796	HP-3002	Express 1500	5.0L V8 F/I		HP-3002
K2500 Suburban	7.4L V8 F/I	E-1796 ♦	HP-3002	Express 1500	5.7L V8 F/I	33-2111	HP-3002
K3500	5.7L V8 F/I	E-1796 ♦	HP-2001	Express 2500	4.3L V6 F/I	33-2111	HP-2001
K3500	6.5L V8 DSL	E-1796	HP-3002	Express 2500	5.0L V8 F/I		HP-3002
K3500	7.4L V8 F/I	E-1796 ♦	HP-3002	Express 2500	5.0L V8 TBI	E-1150	HP-3002
Lumina	3.1L V6 F/I	33-2063-1	HP-1001	Express 2500	5.7L V8 F/I	33-2111	HP-3002
Lumina	3.4L V6 F/I	33-2063-1	HP-2001	Express 2500	6.5L V8 DSL	E-1690	HP-3002
Luv	2.3L L4 F/I		HP-1004	Express 3500	5.7L V8 F/I	33-2111	HP-3002
Malibu	2.4L L4 F/I	33-2121-1	HP-1007	Express 3500	6.5L V8 DSL	E-1690	HP-3002
Malibu	3.1L V6 F/I	33-2121-1	HP-1001	Express 3500	7.4L V8 F/I	33-2111	HP-3002
Monte Carlo	3.1L V6 F/I	33-2063-1	HP-1001	Express 3500	7.4L V8 TBI	E-1500	HP-3002
Monte Carlo	3.4L V6 F/I	33-2063-1	HP-2001	G30	4.3L V6 F/I	E-1150	HP-2001
Monza	1.4L L4 F/I		HP-1001	G30	5.7L V8 F/I	E-1150	HP-3002
Monza	1.6L L4 F/I		HP-1001	G30	6.5L V8 DSL	E-1690	HP-3002
P30	4.3L V6 F/I	E-1150	HP-2001	G30	7.4L V8 F/I	E-1500	HP-3002
P30	5.7L V8 F/I	E-1500	HP-2001	Impala SS	5.7L V8 F/I	33-2057 ♦	HP-2001
P30	6.5L V8 DSL	33-2062-1	HP-3002	Joy	1.4L L4 F/I		HP-1001
P30	7.4L V8 F/I	E-1420	HP-3002	Joy	1.6L L4 F/I		HP-1001
Pop	1.4L L4 F/I		HP-1001	K1500	4.3L V6 F/I	E-1796 ♦	HP-2001
Pop	1.6L L4 F/I		HP-1001	K1500	5.0L V8 F/I	E-1796 ♦	HP-2001
S10 Pickup	2.2L L4 F/I	33-2042 ♦	HP-1001	K1500	5.7L V8 F/I	E-1796 ♦	HP-2001
S10 Pickup	4.3L V6 F/I	33-2042 ♦	HP-2001	K1500	6.5L V8 DSL	33-2062-1	HP-3002
Swing	1.4L L4 F/I		HP-1001	K1500 Suburban	5.7L V8 F/I	E-1796 ♦	HP-2001
Swing	1.6L L4 F/I		HP-1001	K1500 Suburban	6.5L V8 DSL	33-2062-1	HP-3002
Tahoe	5.7L V8 F/I	E-1796 ♦		K2500	5.7L V8 F/I	E-1796 ♦	HP-2001
Tahoe	5.7L V8 F/I - 2WD	E-1796	HP-3002	K2500	6.5L V8 DSL	33-2062-1	HP-3002
Tahoe	5.7L V8 F/I - 4WD	E-1796	HP-2001	K2500	7.4L V8 F/I	E-1796 ♦	HP-3002
Tahoe	6.5L V8 DSL	E-1796	HP-3002	K2500 Suburban	5.7L V8 F/I	E-1796 ♦	HP-2001
Venture	3.4L V6 F/I	33-2156	HP-1001	K2500 Suburban	6.5L V8 DSL	33-2062-1	HP-3002
<b>1996 CHEVROLET</b>				K2500 Suburban	7.4L V8 F/I	E-1796 ♦	HP-3002
Astro	4.3L V6 F/I	33-2225	HP-2001	K3500	5.7L V8 F/I	E-1796 ♦	HP-2001
Beretta	2.2L L4 F/I	33-2068	HP-1001	K3500	6.5L V8 DSL	33-2062-1	HP-3002
Beretta	3.1L V6 F/I	33-2068	HP-1001	K3500	7.4L V8 F/I	E-1796 ♦	HP-3002
Blazer	4.3L V6 F/I	33-2042 ♦	HP-2001	Lumina	3.1L V6 F/I	33-2063-1	HP-1001
C35	5.7L V8 F/I	E-1796 ♦	HP-3002	Lumina	3.4L V6 F/I	33-2063-1	HP-2001
C1500	4.3L V6 F/I	E-1796 ♦	HP-2001	Lumina APV	3.4L V6 F/I	33-2022	HP-1001
C1500	5.0L V8 F/I	E-1796 ♦	HP-3002	Monte Carlo	3.1L V6 F/I	33-2063-1	HP-1001
C1500	5.7L V8 F/I	E-1796 ♦	HP-3002	Monte Carlo	3.4L V6 F/I	33-2063-1	HP-2001
C1500	6.5L V8 DSL	33-2062-1	HP-3002	Monza	1.4L L4 F/I		HP-1001
C1500 Suburban	5.7L V8 F/I	E-1796 ♦	HP-3002	Monza	1.6L L4 F/I		HP-1001
C1500 Suburban	6.5L V8 DSL	33-2062-1	HP-3002	P30	4.3L V6 F/I	E-1150	HP-2001
				P30	5.7L V8 F/I	E-1500	HP-2001

\*Indicates 2 filters required

♦ - Intake kit available

Applications updated daily at [knfilters.com](http://knfilters.com) ®

# AIR & OIL FILTERS

# CHEVROLET

Vehicle	Engine Type	Air Filter	Oil Filter
<b>1996 CHEVROLET</b>			
P30	6.5L V8 DSL	E-1690	HP-3002
P30	7.4L V8 F/I	E-1420	HP-3002
Pop	1.4L L4 F/I		HP-1001
Pop	1.6L L4 F/I		HP-1001
S10 Pickup	2.2L L4 F/I	33-2042 ♦	HP-1001
S10 Pickup	4.3L V6 F/I	33-2042 ♦	HP-2001
Swing	1.4L L4 F/I		HP-1001
Tahoe	5.7L V8 F/I	E-1796 ♦	
Tahoe	5.7L V8 F/I - 2WD	E-1796	HP-3002
Tahoe	5.7L V8 F/I - 4WD	E-1796	HP-2001
Tahoe	6.5L V8 DSL		HP-3002

Vehicle	Engine Type	Air Filter	Oil Filter
<b>1995 CHEVROLET</b>			
Astro	4.3L V6 F/I	33-2042	HP-2001
Beretta	2.2L L4 F/I	33-2068	HP-1001
Beretta	3.1L V6 F/I	33-2068	HP-1001
Blazer	4.3L V6 F/I	33-2042 ♦	HP-2001
C35	5.7L V8 F/I	E-1500 ♦	HP-3002
C1500	4.3L V6 F/I	E-1150	HP-2001
C1500	5.0L V8 F/I	E-1500 ♦	HP-3002
C1500	5.7L V8 F/I	E-1500 ♦	HP-3002
C1500	6.5L V8 DSL - exc. Turbo	E-1690	HP-3002
C1500	6.5L V8 DSL - Turbo	33-2062-1	HP-3002
C1500 Suburban	5.7L V8 F/I	E-1500 ♦	HP-3002
C1500 Suburban	6.5L V8 DSL	33-2062-1	HP-3002
C2500	4.3L V6 F/I	E-1150	HP-2001
C2500	5.0L V8 F/I	E-1500 ♦	HP-3002
C2500	5.7L V8 F/I	E-1500 ♦	HP-3002
C2500	6.5L V8 DSL - exc. Turbo	E-1690	HP-3002
C2500	6.5L V8 DSL - Turbo	33-2062-1	HP-3002
C2500	7.4L V8 F/I	E-1500 ♦	HP-3002
C2500 Suburban	5.7L V8 F/I	E-1500 ♦	HP-3002
C2500 Suburban	6.5L V8 DSL	33-2062-1	HP-3002
C2500 Suburban	7.4L V8 F/I	E-1500 ♦	HP-3002
C3500	5.7L V8 F/I	E-1500 ♦	HP-3002
C3500	6.5L V8 DSL	33-2062-1	HP-3002
C3500	7.4L V8 F/I	E-1500 ♦	HP-3002
Camaro	3.4L V6 F/I	33-2042 ♦	HP-1001
Camaro	3.8L V6 F/I	33-2042	HP-1001
Camaro	5.7L V8 F/I	33-2042 ♦	HP-2002
Caprice	4.3L V8 F/I	33-2057	HP-2001
Caprice	5.7L V8 F/I	33-2057 ♦	HP-2001
Cavalier	2.2L L4 F/I	33-2143	HP-1001
Cavalier	2.3L L4 F/I	33-2143	HP-1001
Cheyenne	5.7L V8 F/I		HP-3002
Corsica	2.2L L4 F/I	33-2068	HP-1001
Corsica	3.1L V6 F/I	33-2068	HP-1001
Corvette	5.7L V8 F/I	33-2035	HP-2001
Corvette ZR-1	5.7L V8 F/I	33-2035	HP-2007
G10	4.3L V6 F/I	E-1150	HP-2001
G10	5.0L V8 F/I	E-1150	HP-3002
G20 Van	4.3L V6 F/I	E-1150	HP-2001
G20 Van	5.0L V8 F/I	E-1150	HP-3002
G20 Van	5.7L V8 F/I	E-1150	HP-3002
G20 Van	6.5L V8 DSL	E-1690	HP-3002
G30	5.7L V8 F/I	E-1150	HP-3002
G30	6.5L V8 DSL	E-1690	HP-3002
G30	7.4L V8 F/I	E-1500	HP-3002
Impala SS	5.7L V8 F/I	33-2057 ♦	HP-2001
Joy	1.4L L4 F/I		HP-1001
K1500	4.3L V6 F/I	E-1150	HP-2001
K1500	5.0L V8 F/I	E-1500 ♦	HP-2001
K1500	5.7L V8 F/I	E-1500 ♦	HP-2001

Vehicle	Engine Type	Air Filter	Oil Filter
<b>1995 CHEVROLET</b>			
K1500	6.5L V8 DSL - exc. Turbo	E-1690	HP-3002
K1500	6.5L V8 DSL - Turbo	33-2062-1	HP-3002
K1500 Suburban	5.7L V8 F/I	E-1500 ♦	HP-2001
K1500 Suburban	6.5L V8 DSL	33-2062-1	HP-3002
K2500	4.3L V6 F/I	E-1150	HP-2001
K2500	5.0L V8 F/I	E-1500 ♦	HP-2001
K2500	5.7L V8 F/I	E-1500 ♦	HP-2001
K2500	6.5L V8 DSL - exc. Turbo	E-1690	HP-3002
K2500	6.5L V8 DSL - Turbo	33-2062-1	HP-3002
K2500	7.4L V8 F/I	E-1500 ♦	HP-3002
K2500 Suburban	5.7L V8 F/I	E-1500 ♦	HP-2001
K2500 Suburban	6.5L V8 DSL	33-2062-1	HP-3002
K2500 Suburban	7.4L V8 F/I	E-1500 ♦	HP-3002
K3500	5.7L V8 F/I	E-1500 ♦	HP-2001
K3500	6.5L V8 DSL	33-2062-1	HP-3002
K3500	7.4L V8 F/I	E-1500 ♦	HP-3002
LLV	2.2L L4 F/I		HP-1001
Lumina	3.1L V6 F/I	33-2063-1	HP-1001
Lumina	3.4L V6 F/I	33-2063-1	HP-2001
Lumina APV	3.1L V6 F/I	E-1065	HP-1001
Lumina APV	3.8L V6 F/I	33-2022	HP-1001
Monte Carlo	3.1L V6 F/I	33-2063-1	HP-1001
Monte Carlo	3.4L V6 F/I	33-2063-1	HP-2001
Monza	1.4L L4 F/I		HP-1001
Motorhome	4.3L V6 F/I - Class C	E-1150	
Motorhome	5.0L V8 F/I - Class C	E-1150	
Motorhome	5.7L V8 F/I - VIN K, Class C, exc. off-road	E-1150	
Motorhome	5.7L V8 F/I - VIN K, Class C, P Series only	E-1500	
Motorhome	6.5L V8 DSL - VIN P, VIN Y, Class C, Turbo	E-1690	
Motorhome	7.4L V8 F/I - Class C, w/ 3-7/16 in Tall Filter	E-1500	
Motorhome	7.4L V8 F/I - Class C, w/ 5-1/2 in Tall Filter	E-1420	
P30	4.3L V6 F/I	E-1150	HP-2001
P30	5.7L V8 F/I	E-1500	HP-3002
P30	6.5L V8 DSL	E-1690	HP-3002
P30	7.4L V8 F/I	E-1500	HP-3002
Pop	1.4L L4 F/I		HP-1001
S10 Pickup	2.2L L4 F/I	33-2042 ♦	HP-1001
S10 Pickup	4.3L V6 CPI	33-2042 ♦	HP-2001
S10 Pickup	4.3L V6 TBI	E-1065 ♦	HP-2001
Swing	1.4L L4 F/I		HP-1001
Tahoe	5.7L V8 F/I	E-1500 ♦	
Tahoe	5.7L V8 F/I - 2WD	E-1500	HP-3002
Tahoe	5.7L V8 F/I - 4WD	E-1500	HP-2001
Tahoe	6.5L V8 DSL	33-2062-1	HP-3002

Vehicle	Engine Type	Air Filter	Oil Filter
<b>1994 CHEVROLET</b>			
Astro	4.3L V6 CPI	33-2042	HP-2001
Astro	4.3L V6 TBI	E-1065	HP-2001
Beretta	2.2L L4 F/I	33-2068	HP-1001
Beretta	2.3L L4 F/I		HP-1001
Beretta	3.1L V6 F/I	33-2068	HP-1001
Blazer	3.1L V6 F/I		HP-1001
Blazer	5.7L V8 F/I	E-1500 ♦	
Blazer	5.7L V8 F/I - 2WD	E-1500	HP-3002
Blazer	5.7L V8 F/I - 4WD	E-1500	HP-2001
Blazer	6.5L V8 DSL	33-2062-1	HP-3002
C1500	4.3L V6 F/I	E-1150	HP-2001
C1500	5.0L V8 F/I	E-1500 ♦	HP-3002
C1500	5.7L V8 F/I	E-1500 ♦	HP-3002
C1500	6.5L V8 DSL - exc. Turbo	E-1690	HP-3002

\*Indicates 2 filters required

♦ - Intake kit available

Applications updated daily at [knfilters.com](http://knfilters.com) ®

**Partial Listing - Complete List of Vehicles and Applications at [knfilters.com](http://knfilters.com)**

# CHEVROLET

# AIR & OIL FILTERS

Vehicle	Engine Type	Air Filter	Oil Filter	Vehicle	Engine Type	Air Filter	Oil Filter
<b>1994 CHEVROLET</b>				<b>1994 CHEVROLET</b>			
C1500	6.5L V8 DSL - Turbo	33-2062-1	HP-3002	Monza	1.4L L4 F/I		HP-1001
C1500 Suburban	5.7L V8 F/I	E-1500 ♦	HP-3002	Motorhome	4.3L V6 F/I - Class C	E-1150	
C1500 Suburban	6.5L V8 DSL	33-2062-1	HP-3002	Motorhome	5.0L V8 F/I - Class C	E-1150	
C2500	5.0L V8 F/I	E-1500 ♦	HP-3002	Motorhome	5.7L V8 F/I - VIN K, Class C, exc. off-road	E-1150	
C2500	5.7L V8 F/I	E-1500 ♦	HP-3002	Motorhome	5.7L V8 F/I - VIN K, Class C, P Series only	E-1500	
C2500	6.5L V8 DSL		HP-3002	Motorhome	6.5L V8 DSL - VIN P, VIN Y, Class C, Turbo	E-1690	
C2500	6.5L V8 DSL - exc. Turbo	E-1690	HP-3002	Motorhome	7.4L V8 F/I - Class C, w/ 3-7/16 in Tall Filter	E-1500	
C2500	6.5L V8 DSL - Turbo	33-2062-1	HP-3002	Motorhome	7.4L V8 F/I - Class C, w/ 5-1/2 in Tall Filter	E-1420	
C2500	7.4L V8 F/I	E-1500 ♦	HP-3002	P30	6.5L V8 DSL	E-1690	HP-3002
C2500 Suburban	5.7L V8 F/I	E-1500 ♦	HP-3002	P30	7.4L V8 F/I	E-1500	HP-3002
C2500 Suburban	6.5L V8 DSL	33-2062-1	HP-3002	Pop	1.4L L4 F/I		HP-1001
C2500 Suburban	7.4L V8 F/I	E-1500 ♦	HP-3002	S10 Blazer	4.3L V6 CPI	33-2042	HP-2001
C3500	5.7L V8 F/I	E-1500 ♦	HP-3002	S10 Blazer	4.3L V6 TBI	E-1065 ♦	HP-2001
C3500	6.5L V8 DSL	33-2062-1	HP-3002	S10 Pickup	2.2L L4 F/I	33-2042 ♦	HP-1001
C3500	7.4L V8 F/I	E-1500 ♦	HP-3002	S10 Pickup	4.3L V6 CPI	33-2042 ♦	HP-2001
Camaro	3.4L V6 F/I	33-2042 ♦	HP-1001	S10 Pickup	4.3L V6 TBI	E-1065 ♦	HP-2001
Camaro	5.7L V8 F/I	33-2042 ♦	HP-2002	Swing	1.4L L4 F/I		HP-1001
Caprice	4.3L V8 F/I	33-2057	HP-2001	<b>1993 CHEVROLET</b>			
Caprice	5.7L V8 F/I	33-2057 ♦	HP-2001	Astro	4.3L V6 CPI	33-2042	HP-2001
Cavalier	2.2L L4 F/I	33-2022	HP-1001	Astro	4.3L V6 TBI	E-1065	HP-2001
Cavalier	3.1L V6 F/I	E-0850	HP-1001	Beretta	2.2L L4 F/I	33-2022	HP-1001
Cavalier Z24	3.1L V6 F/I	E-0890	HP-1001	Beretta	2.3L L4 F/I	33-2022	HP-1001
Corsica	2.2L L4 F/I	33-2068	HP-1001	Beretta	3.1L V6 F/I	33-2037	HP-1001
Corsica	3.1L V6 F/I	33-2068	HP-1001	Blazer	3.1L V6 F/I		HP-1001
Corvette	5.7L V8 F/I	33-2035	HP-2001	Blazer	5.7L V8 F/I	E-1500 ♦	
Corvette ZR-1	5.7L V8 F/I	33-2035	HP-2007	Blazer	5.7L V8 F/I - 2WD	E-1500	HP-3002
G10	4.3L V6 F/I	E-1150	HP-2001	Blazer	5.7L V8 F/I - 4WD	E-1500	HP-2001
G10	5.0L V8 F/I	E-1150	HP-3002	C1500	4.3L V6 F/I	E-1150	HP-2001
G20 Van	4.3L V6 F/I	E-1150	HP-2001	C1500	5.0L V8 F/I	E-1500 ♦	HP-3002
G20 Van	5.0L V8 F/I	E-1150	HP-3002	C1500	5.7L V8 F/I	E-1500 ♦	HP-3002
G20 Van	5.7L V8 F/I	E-1150	HP-3002	C1500	6.2L V8 DSL	E-1690	HP-3002
G20 Van	6.5L V8 DSL	E-1690	HP-3002	C1500	7.4L V8 F/I	E-1500 ♦	HP-3002
G30	5.7L V8 F/I	E-1150	HP-3002	C1500 Suburban	5.7L V8 F/I	E-1500 ♦	HP-3002
G30	6.5L V8 DSL	E-1690	HP-3002	C2500	4.3L V6 F/I	E-1150	HP-2001
G30	7.4L V8 F/I	E-1500	HP-3002	C2500	5.0L V8 F/I	E-1500 ♦	HP-3002
Impala SS	5.7L V8 F/I	33-2057 ♦	HP-2001	C2500	5.7L V8 F/I	E-1500 ♦	HP-3002
Joy	1.4L L4 F/I		HP-1001	C2500	6.2L V8 DSL	E-1690	HP-3002
K1500	4.3L V6 F/I	E-1150	HP-2001	C2500	6.5L V8 DSL	33-2062-1	HP-3002
K1500	5.0L V8 F/I	E-1500 ♦	HP-2001	C2500	7.4L V8 F/I	E-1500 ♦	HP-3002
K1500	5.7L V8 F/I	E-1500 ♦	HP-2001	C2500 Suburban	5.7L V8 F/I	E-1500 ♦	HP-3002
K1500	6.5L V8 DSL		HP-3002	C2500 Suburban	6.2L V8 DSL	E-1690	HP-3002
K1500	6.5L V8 DSL - exc. Turbo	E-1690	HP-3002	C2500 Suburban	6.5L V8 DSL	33-2062-1	HP-3002
K1500	6.5L V8 DSL - Turbo	33-2062-1	HP-3002	C2500 Suburban	7.4L V8 F/I	E-1500 ♦	HP-3002
K1500 Suburban	5.7L V8 F/I	E-1500 ♦	HP-2001	C3500	5.7L V8 F/I	E-1500 ♦	HP-3002
K1500 Suburban	6.5L V8 DSL	33-2062-1	HP-3002	C3500	6.2L V8 DSL	E-1690	HP-3002
K2500	4.3L V6 F/I	E-1150	HP-2001	C3500	6.5L V8 DSL	33-2062-1	HP-3002
K2500	5.0L V8 F/I	E-1500 ♦	HP-2001	C3500	7.4L V8 F/I	E-1500 ♦	HP-3002
K2500	5.7L V8 F/I	E-1500 ♦	HP-2001	Camaro	3.4L V6 F/I	33-2042 ♦	HP-1001
K2500	6.5L V8 DSL - exc. Turbo	E-1690	HP-3002	Camaro	5.7L V8 F/I	33-2042 ♦	HP-2002
K2500	6.5L V8 DSL - Turbo	33-2062-1	HP-3002	Caprice	4.3L V6 F/I	33-2051	HP-2001
K2500	7.4L V8 F/I	E-1500 ♦	HP-3002	Caprice	5.0L V8 F/I	33-2051	HP-2002
K2500 Suburban	5.7L V8 F/I	E-1500 ♦	HP-2001	Caprice	5.7L V8 F/I	33-2051	HP-2002
K2500 Suburban	6.5L V8 DSL	33-2062-1	HP-3002	Cavalier	2.2L L4 F/I	33-2022	HP-1001
K2500 Suburban	7.4L V8 F/I	E-1500 ♦	HP-3002	Cavalier	3.1L V6 F/I	E-0850	HP-1001
K3500	5.7L V8 F/I	E-1500 ♦	HP-2001	Cavalier Z24	3.1L V6 F/I	E-0890	HP-1001
K3500	6.5L V8 DSL	33-2062-1	HP-3002	Corsica	2.2L L4 F/I	33-2022	HP-1001
K3500	7.4L V8 F/I	E-1500 ♦	HP-3002	Corsica	3.1L V6 F/I	33-2037	HP-1001
LLV	2.2L L4 F/I		HP-1001	Corvette	5.7L V8 F/I	33-2035	HP-2001
Lumina	3.1L V6 F/I	33-2063-1	HP-1001	Corvette ZR-1	5.7L V8 F/I	33-2035	HP-2007
Lumina	3.4L V6 F/I	33-2063-1	HP-2001	G10	4.3L V6 F/I	E-1150	HP-2001
Lumina APV	3.1L V6 F/I	E-1065	HP-1001				
Lumina APV	3.8L V6 F/I	33-2022	HP-1001				

\*Indicates 2 filters required

♦ - Intake kit available

Applications updated daily at [knfilters.com](http://knfilters.com) ®

# AIR & OIL FILTERS

# CHEVROLET

Vehicle	Engine Type	Air Filter	Oil Filter	Vehicle	Engine Type	Air Filter	Oil Filter
<b>1993 CHEVROLET</b>				<b>1992 CHEVROLET</b>			
G10	5.0L V8 F/I	E-1150	HP-3002	C2500	4.3L V6 F/I	E-1150	HP-2001
G10	5.7L V8 F/I	E-1150	HP-3002	C2500	5.0L V8 F/I	E-1500 ♦	HP-3002
G20 Van	4.3L V6 F/I	E-1150	HP-2001	C2500	5.7L V8 F/I	E-1500 ♦	HP-3002
G20 Van	5.0L V8 F/I	E-1150	HP-3002	C2500	6.2L V8 DSL	E-1690	HP-3002
G20 Van	5.7L V8 F/I	E-1150	HP-3002	C2500	6.5L V8 DSL	33-2062-1	HP-3002
G20 Van	6.2L V8 DSL	E-1690	HP-3002	C2500	7.4L V8 F/I	E-1500 ♦	HP-3002
G30	5.7L V8 F/I	E-1150	HP-3002	C2500 Suburban	5.7L V8 F/I	E-1500 ♦	HP-3002
G30	6.2L V8 DSL	E-1690	HP-3002	C2500 Suburban	7.4L V8 F/I	E-1500 ♦	HP-3002
G30	7.4L V8 F/I	E-1500	HP-3002	C3500	5.7L V8 F/I	E-1500 ♦	HP-3002
K1500	4.3L V6 F/I	E-1150	HP-2001	C3500	6.2L V8 DSL	E-1690	HP-3002
K1500	5.0L V8 F/I	E-1500 ♦	HP-2001	C3500	6.5L V8 DSL	33-2062-1	HP-3002
K1500	5.7L V8 F/I	E-1500 ♦	HP-2001	C3500	7.4L V8 F/I	E-1500 ♦	HP-3002
K1500	6.2L V8 DSL	E-1690	HP-3002	Camaro	3.1L V6 F/I	E-0890	HP-2001
K1500 Suburban	5.7L V8 F/I	E-1500 ♦	HP-2001	Camaro	5.0L V8 TBI	E-1450	HP-2002
K2500	4.3L V6 F/I	E-1150	HP-2001	Camaro	5.0L V8 TPI	33-2008-1*	HP-2002
K2500	5.0L V8 F/I	E-1500 ♦	HP-2001	Camaro	5.7L V8 TPI	33-2008-1*	HP-2002
K2500	5.7L V8 F/I	E-1500 ♦	HP-2001	Caprice	4.3L V6 F/I	33-2051	HP-2001
K2500	6.2L V8 DSL	E-1690	HP-3002	Caprice	5.0L V8 F/I	33-2051	HP-2002
K2500	6.5L V8 DSL	33-2062-1	HP-3002	Caprice	5.7L V8 F/I	33-2051	HP-2002
K2500	7.4L V8 F/I	E-1500 ♦	HP-3002	Cavalier	2.2L L4 F/I	33-2022	HP-1001
K2500 Suburban	5.7L V8 F/I	E-1500 ♦	HP-2001	Cavalier	3.1L V6 F/I	E-0850	HP-1001
K2500 Suburban	7.4L V8 F/I	E-1500 ♦	HP-3002	Cavalier Z24	3.1L V6 F/I	E-0890	HP-1001
K3500	5.7L V8 F/I	E-1500 ♦	HP-2001	Corsica	2.2L L4 F/I	33-2022	HP-1001
K3500	6.2L V8 DSL	E-1690	HP-3002	Corsica	3.1L V6 F/I	33-2037	HP-1001
K3500	6.5L V8 DSL	33-2062-1	HP-3002	Corvette	5.7L V8 F/I	33-2035	HP-2001
K3500	7.4L V8 F/I	E-1500 ♦	HP-3002	Corvette ZR-1	5.7L V8 F/I	33-2035	HP-2007
LLV	2.5L L4 F/I		HP-1001	G10	4.3L V6 F/I	E-1150	HP-2001
Lumina	2.2L L4 F/I	E-0850		G10	5.0L V8 F/I	E-1150	HP-3002
Lumina	3.1L V6 F/I	33-2038	HP-1001	G10	5.7L V8 F/I	E-1150	HP-3002
Lumina	3.4L V6 F/I	33-2038	HP-2001	G20 Van	4.3L V6 F/I	E-1150	HP-2001
Lumina APV	3.1L V6 F/I	E-1065	HP-1001	G20 Van	5.0L V8 F/I	E-1150	HP-3002
Lumina APV	3.8L V6 F/I	33-2022	HP-1001	G20 Van	5.7L V8 F/I	E-1150	HP-3002
Motorhome	5.7L V8 F/I - VIN K, Class C, exc. off-road	E-1150		G20 Van	6.2L V8 DSL	E-1690	HP-3002
Motorhome	5.7L V8 F/I - VIN K, Class C, P Series only	E-1500		G30	5.7L V8 F/I	E-1150	HP-3002
Motorhome	7.4L V8 F/I - Class A & C, w/ 3-7/16 in Tall Filter	E-1500		G30	6.2L V8 DSL	E-1690	HP-3002
Motorhome	7.4L V8 F/I - Class A & C, w/ 5-1/2 in Tall Filter	E-1420		G30	7.4L V8 F/I	E-1500	HP-3002
P30	4.3L V6 F/I	E-1150	HP-2001	K1500	4.3L V6 F/I	E-1150	HP-2001
P30	5.7L V8 F/I	E-1500	HP-3002	K1500	5.0L V8 F/I	E-1500 ♦	HP-2001
P30	7.4L V8 F/I	E-1500	HP-3002	K1500	5.7L V8 F/I	E-1500 ♦	HP-2001
S10 Blazer	4.3L V6 CPI	33-2042	HP-2001	K1500	6.2L V8 DSL	E-1690	HP-3002
S10 Blazer	4.3L V6 TBI	E-1065 ♦	HP-2001	K1500 Suburban	5.7L V8 F/I	E-1500 ♦	HP-2001
S10 Pickup	2.5L L4 TBI	E-1015	HP-1001	K2500	5.0L V8 F/I	E-1500 ♦	HP-2001
S10 Pickup	2.8L V6 TBI	E-1065	HP-2001	K2500	5.7L V8 F/I	E-1500 ♦	HP-2001
S10 Pickup	4.3L V6 CPI	33-2042	HP-2001	K2500	6.2L V8 DSL	E-1690	HP-3002
S10 Pickup	4.3L V6 TBI	E-1065 ♦	HP-2001	K2500	6.5L V8 DSL	33-2062-1	HP-3002
				K2500	7.4L V8 F/I	E-1500 ♦	HP-3002
				K2500 Suburban	5.7L V8 F/I	E-1500 ♦	HP-2001
				K2500 Suburban	7.4L V8 F/I	E-1500 ♦	HP-3002
				K3500	5.7L V8 F/I	E-1500 ♦	HP-2001
				K3500	6.2L V8 DSL	E-1690	HP-3002
				K3500	6.5L V8 DSL	33-2062-1	HP-3002
				K3500	7.4L V8 F/I	E-1500 ♦	HP-3002
				Lumina	2.5L L4 F/I	E-0850	
				Lumina	3.1L V6 F/I	33-2038	HP-2001
				Lumina	3.4L V6 F/I	33-2038	HP-2001
				Lumina APV	3.1L V6 F/I	E-1065	HP-2001
				Lumina APV	3.8L V6 F/I	33-2022	HP-1001
				Motorhome	7.4L V8 F/I - Class A & C, w/ 3-7/16 in Tall Filter	E-1500	
				Motorhome	7.4L V8 F/I - Class A & C, w/ 5-1/2 in Tall Filter	E-1420	
				P30	4.3L V6 F/I	E-1150	HP-2001
				P30	7.4L V8 F/I	E-1500	HP-3002
				S10 Blazer	4.3L V6 CPI	33-2042	HP-2001

\*Indicates 2 filters required

♦ - Intake kit available

Applications updated daily at [knfilters.com](http://knfilters.com) ®

**Partial Listing - Complete List of Vehicles and Applications at [knfilters.com](http://knfilters.com)**

# CHEVROLET

# AIR & OIL FILTERS

Vehicle	Engine Type	Air Filter	Oil Filter	Vehicle	Engine Type	Air Filter	Oil Filter
<b>1992 CHEVROLET</b>				<b>1991 CHEVROLET</b>			
S10 Pickup	2.5L L4 TBI	E-1015	HP-1001	K2500	5.0L V8 F/I	E-1500 ♦	HP-2001
S10 Pickup	2.8L V6 TBI	E-1065	HP-2001	K2500	5.7L V8 F/I	E-1500 ♦	HP-2001
S10 Pickup	4.3L V6 CPI	33-2042	HP-2001	K2500	6.2L V8 DSL	E-1690	HP-3002
S10 Pickup	4.3L V6 TBI	E-1065 ♦	HP-2001	K2500	7.4L V8 F/I		HP-3002
<b>1991 CHEVROLET</b>				K2500	7.4L V8 F/I - 3-7/16 in tall filter	E-1500 ♦	HP-3002
Astro	4.3L V6 F/I	E-1065	HP-2001	K2500	7.4L V8 F/I - 5-1/2 in tall filter	E-1420 ♦	HP-3002
Beretta	2.2L L4 F/I	E-1015	HP-2001	K3500	5.7L V8 F/I	E-1500 ♦	HP-2001
Beretta	2.3L L4 F/I	33-2022	HP-1001	K3500	6.2L V8 DSL	E-1690	HP-3002
Beretta	3.1L V6 F/I	33-2037	HP-1001	K3500	7.4L V8 F/I		HP-3002
Blazer	5.7L V8 F/I	E-1500 ♦	HP-3002	K3500	7.4L V8 F/I - 3-7/16 in tall filter	E-1500 ♦	HP-3002
Blazer	6.2L V8 DSL	E-1690	HP-3002	K3500	7.4L V8 F/I - 5-1/2 in tall filter	E-1420 ♦	HP-3002
C1500	4.3L V6 F/I	E-1150	HP-2001	K3500	7.4L V8 F/I - 5-1/2 in tall filter	E-1420 ♦	HP-3002
C1500	5.0L V8 F/I	E-1500 ♦	HP-3002	LLV	2.5L L4 F/I		HP-1001
C1500	5.7L V8 F/I	E-1500 ♦	HP-3002	Lumina	2.5L L4 F/I	E-0850	
C1500	6.2L V8 DSL	E-1690	HP-3002	Lumina	3.1L V6 F/I	33-2038	HP-2001
C1500	7.4L V8 F/I		HP-3002	Lumina	3.4L V6 F/I	33-2038	HP-2001
C1500	7.4L V8 F/I - 3-7/16 in tall filter	E-1500 ♦	HP-3002	Lumina APV	3.1L V6 F/I	E-1065	HP-2001
C1500	7.4L V8 F/I - 5-1/2 in tall filter	E-1420 ♦	HP-3002	Motorhome	5.7L V8 F/I - Class C	E-1150	
C2500	4.3L V6 F/I	E-1150	HP-2001	Motorhome	6.2L V8 DSL - Class C	E-1690	
C2500	5.0L V8 F/I	E-1500 ♦	HP-3002	Motorhome	7.4L V8 F/I - Class A & C, w/ 3-7/16 in Tall Filter	E-1500	
C2500	5.7L V8 F/I	E-1500 ♦	HP-3002	Motorhome	7.4L V8 F/I - Class A & C, w/ 5-1/2 in Tall Filter	E-1420	
C2500	6.2L V8 DSL	E-1690	HP-3002	P30	4.3L V6 F/I	E-1150	HP-2001
C2500	7.4L V8 F/I		HP-3002	P30	5.7L V8 F/I	E-1500	HP-3002
C2500	7.4L V8 F/I - 3-7/16 in tall filter	E-1500 ♦	HP-3002	P30	6.2L V8 DSL	E-1690	HP-3002
C2500	7.4L V8 F/I - 5-1/2 in tall filter	E-1420 ♦	HP-3002	P30	7.4L V8 F/I		HP-3002
C3500	5.7L V8 F/I	E-1500 ♦	HP-3002	P30	7.4L V8 F/I - 3-7/16 in tall filter	E-1500	HP-3002
C3500	6.2L V8 DSL	E-1690	HP-3002	P30	7.4L V8 F/I - 5-1/2 in tall filter	E-1420	HP-3002
C3500	7.4L V8 F/I		HP-3002	R1500 Suburban	5.7L V8 F/I	E-1500 ♦	HP-3002
C3500	7.4L V8 F/I - 3-7/16 in tall filter	E-1500 ♦	HP-3002	R1500 Suburban	6.2L V8 DSL	E-1690	HP-3002
C3500	7.4L V8 F/I - 5-1/2 in tall filter	E-1420 ♦	HP-3002	R2500 Suburban	5.7L V8 F/I	E-1500 ♦	HP-3002
Camaro	3.1L V6 F/I	E-0890	HP-2001	R2500 Suburban	6.2L V8 DSL	E-1690	HP-3002
Camaro	5.0L V8 TBI	E-1450	HP-2002	R2500 Suburban	7.4L V8 F/I		HP-3002
Camaro	5.0L V8 TPI	33-2008-1*	HP-2002	R2500 Suburban	7.4L V8 F/I - 3-7/16 in tall filter	E-1500 ♦	HP-3002
Camaro	5.7L V8 TPI	33-2008-1*	HP-2002	R2500 Suburban	7.4L V8 F/I - 5-1/2 in tall filter	E-1420 ♦	HP-3002
Caprice	5.0L V8 F/I	33-2051	HP-2002	R3500	5.7L V8 F/I	E-1500 ♦	HP-3002
Caprice	5.7L V8 F/I	33-2051	HP-2002	R3500	7.4L V8 F/I		HP-3002
Cavalier	2.2L L4 F/I	E-1015	HP-2001	R3500	7.4L V8 F/I - 3-7/16 in tall filter	E-1500 ♦	HP-3002
Cavalier	3.1L V6 F/I	E-0850	HP-1001	S10 Blazer	4.3L V6 TBI	E-1065 ♦	HP-2001
Cavalier Z24	3.1L V6 F/I	E-0890	HP-1001	S10 Pickup	2.5L L4 TBI	E-1015	HP-1001
Corsica	2.2L L4 F/I	E-1015	HP-2001	S10 Pickup	2.8L V6 TBI	E-1065	HP-2001
Corsica	3.1L V6 F/I	33-2037	HP-1001	S10 Pickup	4.3L V6 TBI	E-1065 ♦	HP-2001
Corvette	5.7L V8 F/I	33-2035	HP-2002	Sprint	1.0L L3 F/I		HP-1002
Corvette ZR-1	5.7L V8 F/I	33-2035	HP-2007	V1500 Suburban	5.7L V8 F/I	E-1500 ♦	HP-3002
G10	5.0L V8 F/I	E-1150	HP-3002	V1500 Suburban	6.2L V8 DSL	E-1690	HP-3002
G10	5.7L V8 F/I	E-1150	HP-3002	V2500 Suburban	5.7L V8 F/I	E-1500 ♦	HP-3002
G20 Van	4.3L V6 F/I	E-1150	HP-2001	V2500 Suburban	6.2L V8 DSL	E-1690	HP-3002
G20 Van	5.0L V8 F/I	E-1150	HP-3002	V3500	5.7L V8 F/I	E-1500 ♦	HP-3002
G20 Van	5.7L V8 F/I	E-1150	HP-3002	V3500	6.2L V8 DSL	E-1690	HP-3002
G20 Van	6.2L V8 DSL	E-1690	HP-3002	V3500	7.4L V8 F/I		HP-3002
G30	5.7L V8 F/I	E-1150	HP-3002	V3500	7.4L V8 F/I - 3-7/16 in tall filter	E-1500 ♦	HP-3002
G30	6.2L V8 DSL	E-1690	HP-3002	V3500	7.4L V8 F/I - 5-1/2 in tall filter	E-1420 ♦	HP-3002
G30	7.4L V8 F/I		HP-3002	<b>1990 CHEVROLET</b>			
G30	7.4L V8 F/I - 3-7/16 in tall filter	E-1500	HP-3002	Astro	4.3L V6 F/I	E-1065	HP-2001
G30	7.4L V8 F/I - 5-1/2 in tall filter	E-1420	HP-3002	Beretta	2.2L L4 F/I	E-1015	HP-2001
K1500	4.3L V6 F/I	E-1150	HP-2001	Beretta	2.3L L4 F/I	33-2022	HP-1001
K1500	5.0L V8 F/I	E-1500 ♦	HP-2001	Beretta	3.1L V6 F/I	33-2037	HP-1001
K1500	5.7L V8 F/I	E-1500 ♦	HP-2001				
K1500	6.2L V8 DSL	E-1690	HP-3002				
K2500	4.3L V6 F/I	E-1150	HP-2001				

\*Indicates 2 filters required

♦ - Intake kit available

Applications updated daily at [knfilters.com](http://knfilters.com) ®

# AIR & OIL FILTERS

# CHEVROLET

Vehicle	Engine Type	Air Filter	Oil Filter	Vehicle	Engine Type	Air Filter	Oil Filter
<b>1990 CHEVROLET</b>				<b>1990 CHEVROLET</b>			
Blazer	5.7L V8 F/I	E-1500 ♦	HP-3002	Lumina APV	3.1L V6 F/I	E-1065	HP-2001
Blazer	6.2L V8 DSL	E-1690	HP-3002	Motorhome	5.7L V8 F/I - Class A, 1/4 in taller than stock	E-3679	
C1500	4.3L V6 F/I	E-1150	HP-2001	Motorhome	7.4L V8 F/I - Class A & C, w/ 3-7/16 in Tall Filter	E-1500	
C1500	5.0L V8 F/I	E-1500 ♦	HP-3002	Motorhome	7.4L V8 F/I - Class A & C, w/ 5-1/2 in Tall Filter	E-1420	
C1500	5.7L V8 F/I	E-1500 ♦	HP-3002	P30	5.7L V8 F/I	E-1500	HP-3002
C1500	6.2L V8 DSL	E-1690	HP-3002	P30	6.2L V8 DSL	E-1690	HP-3002
C1500	7.4L V8 F/I		HP-3002	P30	7.4L V8 F/I	E-1500	HP-3002
C1500	7.4L V8 F/I - 3-7/16 in tall filter	E-1500 ♦	HP-3002	R1500 Suburban	5.7L V8 F/I	E-1500 ♦	HP-3002
C1500	7.4L V8 F/I - 5-1/2 in tall filter	E-1420 ♦	HP-3002	R1500 Suburban	6.2L V8 DSL	E-1690	HP-3002
C2500	4.3L V6 F/I	E-1150	HP-2001	R2500 Suburban	5.7L V8 F/I	E-1500 ♦	HP-3002
C2500	5.0L V8 F/I	E-1500 ♦	HP-3002	R2500 Suburban	6.2L V8 DSL	E-1690	HP-3002
C2500	5.7L V8 F/I	E-1500 ♦	HP-3002	R2500 Suburban	7.4L V8 F/I		HP-3002
C2500	6.2L V8 DSL	E-1690	HP-3002	R2500 Suburban	7.4L V8 F/I - 3-7/16 in tall filter	E-1500 ♦	HP-3002
C3500	5.7L V8 F/I	E-1500 ♦	HP-3002	R2500 Suburban	7.4L V8 F/I - 5-1/2 in tall filter	E-1420 ♦	HP-3002
C3500	6.2L V8 DSL	E-1690	HP-3002	R3500	5.7L V8 F/I	E-1500 ♦	HP-3002
C3500	7.4L V8 F/I		HP-3002	S10 Blazer	2.8L V6 F/I	E-1065	HP-2001
C3500	7.4L V8 F/I - 3-7/16 in tall filter	E-1500 ♦	HP-3002	S10 Blazer	4.3L V6 TBI	E-1065 ♦	HP-2001
C3500	7.4L V8 F/I - 5-1/2 in tall filter	E-1420 ♦	HP-3002	S10 Pickup	2.5L L4 TBI	E-1015	HP-1001
Camaro	3.1L V6 F/I	E-0890	HP-2001	S10 Pickup	2.8L V6 F/I	E-1065	HP-2001
Camaro	5.0L V8 TBI	E-1450	HP-2002	S10 Pickup	4.3L V6 TBI	E-1065 ♦	HP-2001
Camaro	5.0L V8 TPI	33-2008-1*	HP-2002	Sprint	1.0L L3 F/I		HP-1002
Camaro	5.7L V8 F/I	33-2008-1*	HP-2002	V1500 Suburban	5.7L V8 F/I	E-1500 ♦	HP-3002
Caprice	4.3L V6 F/I	E-1450	HP-2001	V1500 Suburban	6.2L V8 DSL	E-1690	HP-3002
Caprice	5.0L V8 CARB		HP-2006	V2500 Suburban	5.7L V8 F/I	E-1500 ♦	HP-3002
Caprice	5.0L V8 F/I	E-1500	HP-2002	V2500 Suburban	6.2L V8 DSL	E-1690	HP-3002
Caprice	5.7L V8 F/I	E-1500	HP-2002	V2500 Suburban	7.4L V8 F/I		HP-3002
Cavalier	2.2L L4 F/I	E-1015	HP-2001	V2500 Suburban	7.4L V8 F/I - 3-7/16 in tall filter	E-1500 ♦	HP-3002
Cavalier	3.1L V6 F/I	E-0850	HP-1001	V2500 Suburban	7.4L V8 F/I - 5-1/2 in tall filter	E-1420 ♦	HP-3002
Cavalier Z24	3.1L V6 F/I	E-0890	HP-1001	V3500	5.7L V8 F/I	E-1500 ♦	HP-3002
Celebrity	2.5L L4 F/I	E-1015		V3500	6.2L V8 DSL	E-1690	HP-3002
Celebrity	3.1L V6 F/I	E-0850	HP-2001	V3500	7.4L V8 F/I		HP-3002
Corsica	2.2L L4 F/I	E-1015	HP-2001	V3500	7.4L V8 F/I - 3-7/16 in tall filter	E-1500 ♦	HP-3002
Corsica	3.1L V6 F/I	33-2037	HP-1001				
Corvette	5.7L V8 F/I	33-2035	HP-2002				
Corvette ZR-1	5.7L V8 F/I	33-2035	HP-2007				
G10	4.3L V6 F/I	E-1150	HP-2001	<b>1989 CHEVROLET</b>			
G10	5.0L V8 F/I	E-1150	HP-3002	Astro	2.5L L4 F/I	E-1015	HP-1001
G10	5.7L V8 F/I	E-1150	HP-3002	Astro	4.3L V6 F/I	E-1065	HP-2001
G20 Van	4.3L V6 F/I	E-1150	HP-2001	Beretta	2.0L L4 F/I		HP-2001
G20 Van	5.0L V8 F/I	E-1150	HP-3002	Beretta	2.8L V6 F/I	33-2037	HP-1001
G20 Van	5.7L V8 F/I	E-1150	HP-3002	Blazer	5.7L V8 F/I	E-1500 ♦	HP-3002
G20 Van	6.2L V8 DSL	E-1690	HP-3002	Blazer	6.2L V8 DSL	E-1690	HP-3002
G30	5.7L V8 F/I	E-1150	HP-3002	C1500	4.3L V6 F/I	E-1150	HP-2001
G30	6.2L V8 DSL	E-1690	HP-3002	C1500	5.0L V8 F/I	E-1500 ♦	HP-3002
G30	7.4L V8 F/I	E-1500	HP-3002	C1500	5.7L V8 F/I	E-1500 ♦	HP-3002
K1500	4.3L V6 F/I	E-1150	HP-2001	C1500	6.2L V8 DSL	E-1690	HP-3002
K1500	5.0L V8 F/I	E-1500 ♦	HP-2001	C2500	4.3L V6 F/I	E-1150	HP-2001
K1500	5.7L V8 F/I	E-1500 ♦	HP-2001	C2500	5.0L V8 F/I	E-1500 ♦	HP-3002
K1500	6.2L V8 DSL	E-1690	HP-3002	C2500	5.7L V8 F/I	E-1500 ♦	HP-3002
K2500	5.0L V8 F/I	E-1500 ♦	HP-2001	C2500	6.2L V8 DSL	E-1690	HP-3002
K2500	5.7L V8 F/I	E-1500 ♦	HP-2001	C3500	5.7L V8 F/I	E-1500 ♦	HP-3002
K2500	6.2L V8 DSL	E-1690	HP-3002	C3500	6.2L V8 DSL	E-1690	HP-3002
K3500	5.7L V8 F/I	E-1500 ♦	HP-2001	C3500	7.4L V8 F/I		HP-3002
K3500	6.2L V8 DSL	E-1690	HP-3002	C3500	7.4L V8 F/I - 3-7/16 in tall filter	E-1500 ♦	HP-3002
K3500	7.4L V8 F/I		HP-3002	C3500	7.4L V8 F/I - 5-1/2 in tall filter	E-1420 ♦	HP-3002
K3500	7.4L V8 F/I - 3-7/16 in tall filter	E-1500 ♦	HP-3002	Camaro	2.8L V6 F/I	33-2008-1*	HP-2001
K3500	7.4L V8 F/I - 5-1/2 in tall filter	E-1420 ♦	HP-3002	Camaro	5.0L V8 MFI	33-2008-1*	HP-2002
LLV	2.5L L4 F/I		HP-1001	Camaro	5.0L V8 TBI	E-1450	HP-2002
Lumina	2.5L L4 F/I	E-0850		Camaro	5.7L V8 F/I	33-2008-1*	HP-2002
Lumina	3.1L V6 F/I	33-2038	HP-2001	Caprice	4.3L V6 F/I	E-1450	HP-2001

\*Indicates 2 filters required      ♦ - Intake kit available      Applications updated daily at [knfilters.com](http://knfilters.com) ®

**Partial Listing - Complete List of Vehicles and Applications at [knfilters.com](http://knfilters.com)**

# CHEVROLET

# AIR & OIL FILTERS

Vehicle	Engine Type	Air Filter	Oil Filter	Vehicle	Engine Type	Air Filter	Oil Filter
<b>1989 CHEVROLET</b>				<b>1989 CHEVROLET</b>			
Caprice	5.0L V8 CARB		HP-2006	R3500	7.4L V8 CARB - 5-1/2 in tall filter	E-1420	HP-3002
Caprice	5.0L V8 F/I	E-1500	HP-2002	R3500	7.4L V8 F/I		HP-3002
Caprice	5.7L V8 F/I	E-1500		R3500	7.4L V8 F/I - 3-7/16 in tall filter	E-1500 ♦	HP-3002
Caprice	5.7L V8 F/I - w/o oil cooler	E-1500	HP-3002	R3500	7.4L V8 F/I - 5-1/2 in tall filter	E-1420 ♦	HP-3002
Caprice	5.7L V8 F/I - w/oil cooler	E-1500	HP-2002	S10 Blazer	2.5L L4 F/I	E-1015	HP-1001
Cavalier	2.0L L4 F/I		HP-2001	S10 Blazer	2.8L V6 F/I	E-1065	
Cavalier	2.8L V6 F/I	E-0850	HP-1001	S10 Blazer	2.8L V6 F/I - 2WD	E-1065	HP-2001
Cavalier Z24	2.8L V6 F/I	E-0890	HP-1001	S10 Blazer	2.8L V6 F/I - 4WD	E-1065	HP-1001
Celebrity	2.5L L4 F/I	E-1015		S10 Blazer	4.3L V6 TBI	E-1065 ♦	HP-2001
Celebrity	2.8L V6 F/I	E-0850	HP-2001	S10 Pickup	2.5L L4 F/I	E-1015	HP-1001
Corsica	2.0L L4 F/I		HP-2001	S10 Pickup	2.8L V6 F/I	E-1065	
Corsica	2.8L V6 F/I	33-2037	HP-1001	S10 Pickup	2.8L V6 F/I - 2WD	E-1065	HP-2001
Corvette	5.7L V8 F/I	33-2014	HP-2002	S10 Pickup	2.8L V6 F/I - 4WD	E-1065	HP-1001
G10	4.3L V6 F/I	E-1150	HP-2001	S10 Pickup	4.3L V6 TBI	E-1065 ♦	HP-2001
G10	5.0L V8 F/I	E-1150	HP-3002	Sprint	1.0L L3 F/I		HP-1002
G10	5.7L V8 F/I	E-1150	HP-3002	V1500 Suburban	5.7L V8 F/I	E-1500 ♦	HP-3002
G20 Van	4.3L V6 F/I	E-1150	HP-2001	V1500 Suburban	6.2L V8 DSL	E-1690	HP-3002
G20 Van	5.0L V8 F/I	E-1150	HP-3002	V2500 Suburban	5.7L V8 F/I	E-1500 ♦	HP-3002
G20 Van	5.7L V8 F/I	E-1150	HP-3002	V2500 Suburban	6.2L V8 DSL	E-1690	HP-3002
G20 Van	6.2L V8 DSL	E-1690	HP-3002	V3500	5.7L V8 F/I	E-1500	HP-3002
G30	5.7L V8 F/I	E-1150	HP-3002	V3500	6.2L V8 DSL	E-1690	HP-3002
K1500	4.3L V6 F/I	E-1150	HP-2001	V3500	7.4L V8 CARB		HP-3002
K1500	5.0L V8 F/I	E-1500 ♦	HP-2001	V3500	7.4L V8 CARB - 3-7/16 in tall filter	E-1500	HP-3002
K1500	5.7L V8 F/I	E-1500 ♦	HP-2001	V3500	7.4L V8 CARB - 5-1/2 in tall filter	E-1420	HP-3002
K1500	6.2L V8 DSL	E-1690	HP-3002	V3500	7.4L V8 F/I		HP-3002
K2500	5.0L V8 F/I	E-1500 ♦	HP-2001	V3500	7.4L V8 F/I - 3-7/16 in tall filter	E-1500 ♦	HP-3002
K2500	5.7L V8 F/I	E-1500 ♦	HP-2001	V3500	7.4L V8 F/I - 5-1/2 in tall filter	E-1420 ♦	HP-3002
K2500	6.2L V8 DSL	E-1690	HP-3002				
K3500	5.7L V8 F/I	E-1500 ♦	HP-2001				
K3500	6.2L V8 DSL	E-1690	HP-3002				
K3500	7.4L V8 F/I		HP-3002				
K3500	7.4L V8 F/I - 3-7/16 in tall filter	E-1500 ♦	HP-3002				
K3500	7.4L V8 F/I - 5-1/2 in tall filter	E-1420 ♦	HP-3002				
Motorhome	5.7L V8 F/I - Class A, 1/4 in taller than stock	E-3679					
Motorhome	6.2L V8 DSL - Class C	E-1690					
Motorhome	7.4L V8 F/I - Class A & C, w/ 3-7/16 in Tall Filter	E-1500					
Motorhome	7.4L V8 F/I - Class A & C, w/ 5-1/2 in Tall Filter	E-1420					
P20	4.8L L6 CARB	E-1120	HP-2002				
P20	5.7L V8 F/I	E-1500	HP-3002				
P20	6.2L V8 DSL	E-1690	HP-3002				
P30	5.7L V8 F/I	E-1500	HP-3002				
P30	6.2L V8 DSL	E-1690	HP-3002				
P30	7.4L V8 CARB	E-1420	HP-3002				
R1500 Suburban	5.7L V8 F/I	E-1500 ♦	HP-3002				
R1500 Suburban	6.2L V8 DSL	E-1690	HP-3002				
R2500	6.2L V8 DSL	E-1690	HP-3002				
R2500	7.4L V8 F/I		HP-3002				
R2500	7.4L V8 F/I - 3-7/16 in tall filter	E-1500 ♦	HP-3002				
R2500 Suburban	5.7L V8 F/I	E-1500 ♦	HP-3002				
R2500 Suburban	6.2L V8 DSL	E-1690	HP-3002				
R2500 Suburban	7.4L V8 F/I		HP-3002				
R2500 Suburban	7.4L V8 F/I - 3-7/16 in tall filter	E-1500 ♦	HP-3002				
R2500 Suburban	7.4L V8 F/I - 5-1/2 in tall filter	E-1420 ♦	HP-3002				
R3500	5.7L V8 F/I	E-1500 ♦	HP-3002				
R3500	7.4L V8 CARB		HP-3002				
R3500	7.4L V8 CARB - 3-7/16 in tall filter	E-1500	HP-3002				
				<b>1988 CHEVROLET</b>			
				Astro	2.5L L4 F/I	E-1015	HP-1001
				Astro	4.3L V6 F/I	E-1065	HP-2001
				Beretta	2.0L L4 F/I		HP-2001
				Beretta	2.8L V6 F/I	E-0930	HP-1001
				Blazer	5.7L V8 F/I	E-1500 ♦	HP-3002
				Blazer	6.2L V8 DSL	E-1690	HP-3002
				C1500	4.3L V6 F/I	E-1150	HP-2001
				C1500	5.0L V8 F/I	E-1500 ♦	HP-3002
				C1500	5.7L V8 F/I	E-1500 ♦	HP-3002
				C1500	6.2L V8 DSL	E-1690	HP-3002
				C2500	4.3L V6 F/I	E-1150	HP-2001
				C2500	5.0L V8 F/I	E-1500 ♦	HP-3002
				C2500	5.7L V8 F/I	E-1500 ♦	HP-3002
				C2500	6.2L V8 DSL	E-1690	HP-3002
				C3500	5.7L V8 F/I	E-1500 ♦	HP-3002
				C3500	6.2L V8 DSL	E-1690	HP-3002
				C3500	7.4L V8 F/I		HP-3002
				C3500	7.4L V8 F/I - 3-7/16 in tall filter	E-1500 ♦	HP-3002
				C3500	7.4L V8 F/I - 5-1/2 in tall filter	E-1420 ♦	HP-3002
				Camaro	2.8L V6 F/I	33-2008-1*	HP-1001
				Camaro	5.0L V8 MFI	33-2008-1*	HP-2002
				Camaro	5.0L V8 TBI	E-1450	HP-2002
				Camaro	5.7L V8 F/I	33-2008-1*	HP-2002
				Caprice	4.3L V6 F/I	E-1450	HP-2001
				Caprice	5.0L V8 CARB - VIN H	E-1500	HP-2002
				Caprice	5.0L V8 CARB - VIN Y	E-1500	HP-2002
				Caprice	5.7L V8 CARB	E-1500	
				Caprice	5.7L V8 CARB - w/o oil cooler	E-1500	HP-3002
				Caprice	5.7L V8 CARB - w/oil cooler	E-1500	HP-2002

\*Indicates 2 filters required

♦ - Intake kit available

Applications updated daily at [knfilters.com](http://knfilters.com) ®



# AIR & OIL FILTERS

# CHEVROLET

Vehicle	Engine Type	Air Filter	Oil Filter	Vehicle	Engine Type	Air Filter	Oil Filter
<b>1988 CHEVROLET</b>				<b>1988 CHEVROLET</b>			
Cavalier	2.0L L4 F/I		HP-2001	R30	7.4L V8 CARB - 3-7/16 in tall filter	E-1500	HP-3002
Cavalier	2.8L V6 F/I	E-0850	HP-1001	R30	7.4L V8 CARB - 5-1/2 in tall filter	E-1420	HP-3002
Cavalier Z24	2.8L V6 F/I	E-0890	HP-1001	R30	7.4L V8 F/I		HP-3002
Celebrity	2.5L L4 F/I	E-1015		R30	7.4L V8 F/I - 3-7/16 in tall filter	E-1500 ♦	HP-3002
Celebrity	2.8L V6 F/I	E-0850	HP-2001	R30	7.4L V8 F/I - 5-1/2 in tall filter	E-1420 ♦	HP-3002
Corsica	2.0L L4 F/I		HP-2001	R30	2.5L L4 F/I	E-1015	HP-1001
Corsica	2.8L V6 F/I	E-0930	HP-1001	S10 Blazer	2.8L V6 F/I	E-1065	
Corvette	5.7L V8 F/I	33-2014	HP-2002	S10 Blazer	2.8L V6 F/I - 2WD	E-1065	HP-2001
G10	4.3L V6 F/I	E-1150	HP-2001	S10 Blazer	2.8L V6 F/I - 4WD	E-1065	HP-1001
G10	5.0L V8 F/I	E-1150	HP-3002	S10 Blazer	4.3L V6 TBI	E-1065 ♦	HP-2001
G10	5.7L V8 F/I	E-1150	HP-3002	S10 Pickup	2.5L L4 F/I	E-1015	HP-1001
G20 Van	5.0L V8 F/I	E-1500	HP-3002	S10 Pickup	2.8L V6 F/I	E-1065	
G20 Van	5.7L V8 F/I	E-1150	HP-3002	S10 Pickup	2.8L V6 F/I - 2WD	E-1065	HP-2001
G20 Van	6.2L V8 DSL	E-1690	HP-3002	S10 Pickup	2.8L V6 F/I - 4WD	E-1065	HP-1001
G30	5.7L V8 CARB	E-1420	HP-3002	S10 Pickup	4.3L V6 TBI	E-1065 ♦	HP-2001
G30	5.7L V8 F/I	E-1150	HP-3002	Spectrum	1.5L L4 CARB		HP-1004
G30	6.2L V8 DSL	E-1690	HP-3002	Spectrum	1.5L L4 F/I		HP-1004
G30	7.4L V8 F/I	E-1500	HP-3002	Sprint	1.0L L3 CARB		HP-1002
K1500	4.3L V6 F/I	E-1150	HP-2001	Sprint	1.0L L3 F/I		HP-1002
K1500	5.0L V8 F/I	E-1500 ♦	HP-2001	V10 Suburban	5.7L V8 F/I	E-1500 ♦	HP-3002
K1500	5.7L V8 F/I	E-1500 ♦	HP-2001	V10 Suburban	6.2L V8 DSL	E-1690	HP-3002
K1500	6.2L V8 DSL	E-1690	HP-3002	V20 Suburban	5.7L V8 F/I	E-1500 ♦	HP-3002
K2500	5.0L V8 F/I	E-1500 ♦	HP-2001	V20 Suburban	6.2L V8 DSL	E-1690	HP-3002
K2500	5.7L V8 F/I	E-1500 ♦	HP-2001	V20 Suburban	7.4L V8 F/I		HP-3002
K2500	6.2L V8 DSL	E-1690	HP-3002	V20 Suburban	7.4L V8 F/I - 3-7/16 in tall filter	E-1500 ♦	HP-3002
K3500	5.7L V8 F/I	E-1500 ♦	HP-2001	V20 Suburban	7.4L V8 F/I - 5-1/2 in tall filter	E-1420 ♦	HP-3002
K3500	6.2L V8 DSL	E-1690	HP-3002	V30	5.7L V8 CARB		HP-3002
K3500	7.4L V8 F/I		HP-3002	V30	5.7L V8 F/I	E-1500	HP-3002
K3500	7.4L V8 F/I - 3-7/16 in tall filter	E-1500 ♦	HP-3002	V30	7.4L V8 CARB		HP-3002
K3500	7.4L V8 F/I - 5-1/2 in tall filter	E-1420 ♦	HP-3002	V30	7.4L V8 F/I		HP-3002
LLV	2.5L L4 F/I		HP-1001	V30	7.4L V8 F/I - 3-7/16 in tall filter	E-1500 ♦	HP-3002
Monte Carlo	4.3L V6 F/I	E-1450	HP-2001	V30	7.4L V8 F/I - 5-1/2 in tall filter	E-1420 ♦	HP-3002
Monte Carlo	5.0L V8 CARB	E-1500	HP-2002				
Motorhome	5.7L V8 F/I - Class A & C	E-1150					
Motorhome	5.7L V8 F/I - Class A, 1/4 in taller than stock	E-3679					
Motorhome	6.2L V8 DSL - Class C	E-1690					
Motorhome	7.4L V8 F/I - Class A & C, w/ 3-7/16 in Tall Filter	E-1500					
Motorhome	7.4L V8 F/I - Class A/C w/ 5-1/2 in Tall Filter	E-1420					
Nova	1.6L L4 CARB	E-2690	HP-1003				
Nova	1.6L L4 F/I	33-2533	HP-1003				
P20	5.7L V8 F/I	E-1500	HP-3002				
P30	5.7L V8 CARB	E-1420	HP-3002				
P30	5.7L V8 F/I		HP-3002				
P30	6.2L V8 DSL	E-1690	HP-3002				
P30	7.4L V8 CARB	E-1420	HP-3002				
R10 Suburban	5.7L V8 F/I	E-1500 ♦	HP-3002				
R10 Suburban	6.2L V8 DSL	E-1690	HP-3002				
R20	5.7L V8 F/I	E-1500 ♦	HP-3002				
R20	7.4L V8 F/I		HP-3002				
R20	7.4L V8 F/I - 3-7/16 in tall filter	E-1500 ♦	HP-3002				
R20 Suburban	5.7L V8 F/I	E-1500 ♦	HP-3002				
R20 Suburban	6.2L V8 DSL	E-1690	HP-3002				
R20 Suburban	7.4L V8 F/I		HP-3002				
R20 Suburban	7.4L V8 F/I - 3-7/16 in tall filter	E-1500 ♦	HP-3002				
R20 Suburban	7.4L V8 F/I - 5-1/2 in tall filter	E-1420 ♦	HP-3002				
R30	5.7L V8 CARB		HP-3002				
R30	5.7L V8 F/I	E-1500 ♦	HP-3002				
R30	7.4L V8 CARB		HP-3002				
<b>1987 CHEVROLET</b>				<b>1987 CHEVROLET</b>			
				Astro	2.5L L4 F/I	E-1015	HP-1001
				Astro	4.3L V6 F/I	E-1065	HP-2001
				Blazer	5.0L V8 F/I	E-1500	HP-3002
				Blazer	5.7L V8 F/I	E-1500	HP-3002
				Blazer	6.2L V8 DSL	E-1690	HP-3002
				Camaro	2.8L V6 F/I	33-2008-1*	HP-1001
				Camaro	5.0L V8 CARB	E-1450	HP-2002
				Camaro	5.0L V8 F/I	33-2008-1*	HP-2002
				Camaro	5.7L V8 F/I	33-2008-1*	HP-2002
				Caprice	4.3L V6 F/I	E-1450	HP-2001
				Caprice	5.0L V8 CARB - VIN H	E-1500	HP-2002
				Caprice	5.0L V8 CARB - VIN Y	E-1500	HP-2006
				Caprice	5.7L V8 CARB	E-1500	
				Caprice	5.7L V8 CARB - w/o oil cooler	E-1500	HP-3002
				Caprice	5.7L V8 CARB - w/oil cooler	E-1500	HP-2002
				Cavalier	2.0L L4 F/I		HP-2001
				Cavalier	2.8L V6 F/I	E-0850	HP-1001
				Cavalier Z24	2.8L V6 F/I	E-0890	HP-1001
				Celebrity	2.5L L4 F/I	E-1015	HP-1001
				Celebrity	2.8L V6 F/I	E-0850	HP-2001
				Chevette	1.6L L4 CARB	E-1030	HP-1001
				Corvette	5.7L V8 F/I	33-2014	HP-2002
				El Camino	4.3L V6 F/I	E-1450	HP-2001
				El Camino	5.0L V8 CARB	E-1500	HP-2002
				G10	5.0L V8 F/I	E-1150	HP-3002

\*Indicates 2 filters required      ♦ - Intake kit available      Applications updated daily at [knfilters.com](http://knfilters.com) ®

**Partial Listing - Complete List of Vehicles and Applications at [knfilters.com](http://knfilters.com)**

# CHEVROLET

# AIR & OIL FILTERS

Vehicle	Engine Type	Air Filter	Oil Filter	Vehicle	Engine Type	Air Filter	Oil Filter
<b>1987 CHEVROLET</b>				<b>1987 CHEVROLET</b>			
G10	5.7L V8 F/I	E-1150	HP-3002	S10 Pickup	2.8L V6 F/I - 2WD	E-1065	HP-2001
G20 Van	5.0L V8 F/I	E-1150	HP-3002	S10 Pickup	2.8L V6 F/I - 4WD	E-1065	HP-1001
G20 Van	5.7L V8 F/I	E-1150	HP-3002	Spectrum	1.5L L4 CARB		HP-1004
G30	5.7L V8 CARB	E-1150	HP-3002	Spectrum	1.5L L4 F/I		HP-1004
G30	5.7L V8 F/I		HP-3002	Sprint	1.0L L3 CARB		HP-1002
G30	6.2L V8 DSL	E-1690	HP-3002	Sprint	1.0L L3 F/I		HP-1002
LLV	2.5L L4 F/I		HP-1001	V10	4.3L V6 F/I	E-1150	HP-2001
Monte Carlo	3.8L V6 CARB		HP-1001	V10	5.0L V8 F/I	E-1500	HP-3002
Monte Carlo	4.3L V6 F/I	E-1450	HP-2001	V10	5.7L V8 F/I	E-1500	HP-3002
Monte Carlo	5.0L V8 CARB	E-1500	HP-2002	V10	6.2L V8 DSL	E-1690	HP-3002
Motorhome	5.0L V8 F/I - Class C	E-1150		V10 Suburban	5.7L V8 F/I	E-1500	HP-3002
Motorhome	5.7L V8 F/I - Class A & C	E-1150		V10 Suburban	6.2L V8 DSL	E-1690	HP-3002
Motorhome	5.7L V8 F/I - Class A, 1/4 in taller than stock	E-3679		V20	5.7L V8 F/I	E-1500	HP-3002
Motorhome	6.2L V8 DSL - Class C	E-1690		V20	6.2L V8 DSL	E-1690	HP-3002
Motorhome	7.4L V8 F/I - Class A & C, w/ 3-7/16 in Tall Filter	E-1500		V20 Suburban	5.7L V8 F/I	E-1500	HP-3002
Motorhome	7.4L V8 F/I - Class A & C, w/ 5-1/2 in Tall Filter	E-1420		V20 Suburban	6.2L V8 DSL	E-1690	HP-3002
Nova	1.6L L4 CARB	E-2690	HP-1003	V20 Suburban	7.4L V8 F/I	E-1500	HP-3002
P20	5.7L V8 CARB	E-1420	HP-3002	V20 Suburban	7.4L V8 F/I - 3-7/16 in tall filter	E-1500	HP-3002
P20	5.7L V8 F/I	E-1500	HP-3002	V30	5.7L V8 CARB	E-1500	HP-3002
P30	5.7L V8 CARB	E-1420	HP-3002	V30	5.7L V8 F/I	E-1500	HP-3002
P30	5.7L V8 F/I	E-1500	HP-3002	V30	6.2L V8 DSL	E-1690	HP-3002
P30	6.2L V8 DSL	E-1690	HP-3002	V30	7.4L V8 CARB		HP-3002
P30	7.4L V8 CARB	E-1420	HP-3002	V30	7.4L V8 F/I		HP-3002
R10 Suburban	5.0L V8 F/I	E-1500	HP-3002	V30	7.4L V8 F/I - 3-7/16 in tall filter	E-1500	HP-3002
R10 Suburban	5.7L V8 F/I	E-1500	HP-3002	V30	7.4L V8 F/I - 5-1/2 in tall filter	E-1420	HP-3002
R10 Suburban	6.2L V8 DSL	E-1690	HP-3002				
R10 Truck	4.3L V6 F/I	E-1150	HP-2001	<b>1986 CHEVROLET</b>			
R10 Truck	5.0L V8 F/I	E-1500	HP-3002	Astro	2.5L L4 F/I	E-1015	HP-1001
R10 Truck	5.7L V8 F/I	E-1500	HP-3002	Astro	4.3L V6 F/I	E-1065	HP-2001
R10 Truck	6.2L V8 DSL	E-1690	HP-3002	C10	4.3L V6 CARB	E-1150	HP-2001
R20	5.0L V8 F/I	E-1500	HP-3002	C10	5.0L V8 CARB	E-1420	HP-3002
R20	5.7L V8 F/I	E-1500	HP-3002	C10	5.7L V8 CARB	E-1420	HP-3002
R20	6.2L V8 DSL	E-1690	HP-3002	C10 Suburban	6.2L V8 DSL	E-1690	HP-3002
R20	7.4L V8 F/I		HP-3002	C10 Suburban	5.0L V8 CARB	E-1420	HP-3002
R20	7.4L V8 F/I - 3-7/16 in tall filter	E-1500	HP-3002	C10 Suburban	5.7L V8 CARB	E-1420	HP-3002
R20	7.4L V8 F/I - 5-1/2 in tall filter	E-1420	HP-3002	C10 Suburban	6.2L V8 DSL	E-1690	HP-3002
R20 Suburban	5.7L V8 F/I	E-1500	HP-3002	C20	4.3L V6 CARB	E-1500	HP-2001
R20 Suburban	6.2L V8 DSL	E-1690	HP-3002	C20	4.8L L6 CARB	E-1120	HP-2002
R20 Suburban	7.4L V8 F/I		HP-3002	C20	5.0L V8 CARB	E-1420	HP-3002
R20 Suburban	7.4L V8 F/I - 3-7/16 in tall filter	E-1500	HP-3002	C20	5.7L V8 CARB	E-1420	HP-3002
R20 Suburban	7.4L V8 F/I - 5-1/2 in tall filter	E-1420	HP-3002	C20	6.2L V8 DSL	E-1690	HP-3002
R30	5.7L V8 CARB		HP-3002	C20	7.4L V8 CARB	E-1420	HP-3002
R30	5.7L V8 F/I	E-1500	HP-3002	C20 Suburban	5.0L V8 CARB	E-1420	HP-3002
R30	6.2L V8 DSL	E-1690	HP-3002	C20 Suburban	5.7L V8 CARB	E-1420	HP-3002
R30	7.4L V8 CARB		HP-3002	C20 Suburban	6.2L V8 DSL	E-1690	HP-3002
R30	7.4L V8 CARB - 3-7/16 in tall filter	E-1500	HP-3002	C20 Suburban	7.4L V8 CARB		HP-3002
R30	7.4L V8 CARB - 5-1/2 in tall filter	E-1420	HP-3002	C20 Suburban	7.4L V8 CARB - 3-7/16 in tall filter	E-1500	HP-3002
R30	7.4L V8 F/I		HP-3002	C20 Suburban	7.4L V8 CARB - 5-1/2 in tall filter	E-1420	HP-3002
R30	7.4L V8 F/I - 3-7/16 in tall filter	E-1500	HP-3002	C30 Truck	4.8L L6 CARB	E-1120	HP-2002
R30	7.4L V8 F/I - 5-1/2 in tall filter	E-1420	HP-3002	C30 Truck	5.0L V8 CARB	E-1420	HP-3002
S10 Blazer	2.5L L4 F/I	E-1015	HP-1001	C30 Truck	5.7L V8 CARB	E-1420	HP-3002
S10 Blazer	2.8L V6 F/I	E-1065		C30 Truck	6.2L V8 DSL	E-1690	HP-3002
S10 Blazer	2.8L V6 F/I - 2WD	E-1065	HP-2001	C30 Truck	7.4L V8 CARB	E-1420	HP-3002
S10 Blazer	2.8L V6 F/I - 4WD	E-1065	HP-1001	Camaro	2.5L L4 F/I	E-1015	HP-1001
S10 Pickup	2.5L L4 F/I	E-1015	HP-1001	Camaro	2.8L V6 F/I	33-2008-1*	HP-1001
S10 Pickup	2.8L V6 F/I	E-1065		Camaro	5.0L V8 CARB	E-1450	HP-2002
				Camaro	5.0L V8 F/I	33-2008-1*	HP-2002
				Caprice	4.3L V6 F/I	E-1450	HP-2001
				Caprice	5.0L V8 CARB - VIN H	E-1500	HP-2002
				Caprice	5.0L V8 CARB - VIN Y	E-1500	HP-2006
				Caprice	5.7L V8 CARB	E-1500	HP-3002

\*Indicates 2 filters required

◆ - Intake kit available

Applications updated daily at [knfilters.com](http://knfilters.com) ®

# AIR & OIL FILTERS

# CHEVROLET

Vehicle	Engine Type	Air Filter	Oil Filter	Vehicle	Engine Type	Air Filter	Oil Filter
<b>1986 CHEVROLET</b>				<b>1985 CHEVROLET</b>			
Cavalier	2.0L L4 F/I	E-1015	HP-2001	C10	5.7L V8 CARB		HP-3002
Cavalier	2.8L V6 F/I	E-0850	HP-1001	C10	5.7L V8 CARB - 3-7/16 in tall filter	E-1500	HP-3002
Celebrity	2.5L L4 F/I	E-1015	HP-1001	C10	5.7L V8 CARB - 5-1/2 in tall filter	E-1420	HP-3002
Celebrity	2.8L V6 CARB	E-1950	HP-1001	C10	6.2L V8 DSL	E-1690	HP-3002
Celebrity	2.8L V6 F/I	E-0850	HP-1001	C10 Suburban	5.0L V8 CARB	E-1420	HP-3002
Chevette	1.6L L4 CARB	E-1030	HP-1001	C10 Suburban	5.7L V8 CARB	E-1420	HP-3002
Chevette	1.8L L4 DSL		HP-2007	C10 Suburban	6.2L V8 DSL	E-1690	HP-3002
Corvette	5.7L V8 F/I	33-2014	HP-2002	C20	4.3L V6 CARB	E-1500	HP-2001
El Camino	4.3L V6 F/I	E-1450	HP-2001	C20	4.8L L6 CARB	E-1120	HP-2002
El Camino	5.0L V8 CARB	E-1500	HP-2002	C20	5.0L V8 CARB	E-1420	HP-3002
G10	5.0L V8 CARB	E-1150	HP-3002	C20	5.7L V8 CARB		HP-3002
G20 Van	5.0L V8 CARB	E-1150	HP-3002	C20	5.7L V8 CARB - 3-7/16 in tall filter	E-1500	HP-3002
G20 Van	5.7L V8 CARB	E-1150	HP-3002	C20	5.7L V8 CARB - 5-1/2 in tall filter	E-1420	HP-3002
G20 Van	6.2L V8 DSL	E-1690	HP-3002	C20	6.2L V8 DSL	E-1690	HP-3002
G30	5.7L V8 CARB	E-1150	HP-3002	C20	7.4L V8 CARB		HP-3002
G30	6.2L V8 DSL	E-1690	HP-3002	C20	7.4L V8 CARB - 3-7/16 in tall filter	E-1500	HP-3002
K5 Blazer	5.0L V8 CARB	E-1420	HP-3002	C20	7.4L V8 CARB - 5-1/2 in tall filter	E-1420	HP-3002
K5 Blazer	5.7L V8 CARB	E-1420	HP-3002	C20	7.4L V8 CARB - 3-7/16 in tall filter	E-1500	HP-3002
K5 Blazer	6.2L V8 DSL	E-1690	HP-3002	C20	7.4L V8 CARB - 5-1/2 in tall filter	E-1420	HP-3002
K10	4.3L V6 CARB	E-1500	HP-2001	C20 Suburban	5.0L V8 CARB	E-1420	HP-3002
K10	5.0L V8 CARB	E-1420	HP-3002	C20 Suburban	5.7L V8 CARB	E-1420	HP-3002
K10	5.7L V8 CARB	E-1420	HP-3002	C20 Suburban	6.2L V8 DSL	E-1690	HP-3002
K10	6.2L V8 DSL	E-1690	HP-3002	C20 Suburban	7.4L V8 CARB		HP-3002
K10 Suburban	5.0L V8 CARB	E-1420	HP-3002	C20 Suburban	7.4L V8 CARB - 3-7/16 in tall filter	E-1500	HP-3002
K10 Suburban	5.7L V8 CARB	E-1420	HP-3002	C20 Suburban	7.4L V8 CARB - 5-1/2 in tall filter	E-1420	HP-3002
K10 Suburban	6.2L V8 DSL	E-1690	HP-3002	C20 Suburban	7.4L V8 CARB - 3-7/16 in tall filter	E-1500	HP-3002
K20	4.8L L6 CARB	E-1120	HP-2002	C30 Truck	4.8L L6 CARB	E-1120	HP-2002
K20	5.7L V8 CARB	E-1420	HP-3002	C30 Truck	5.7L V8 CARB		HP-3002
K20	6.2L V8 DSL	E-1690	HP-3002	C30 Truck	5.7L V8 CARB - 3-7/16 in tall filter	E-1500	HP-3002
K20 Suburban	5.0L V8 CARB	E-1420	HP-3002	C30 Truck	5.7L V8 CARB - 5-1/2 in tall filter	E-1420	HP-3002
K20 Suburban	5.7L V8 CARB	E-1420	HP-3002	C30 Truck	6.2L V8 DSL	E-1690	HP-3002
K20 Suburban	6.2L V8 DSL	E-1690	HP-3002	C30 Truck	7.4L V8 CARB		HP-3002
K30	5.7L V8 CARB	E-1420	HP-3002	C30 Truck	7.4L V8 CARB - 3-7/16 in tall filter	E-1500	HP-3002
K30	6.2L V8 DSL	E-1690	HP-3002	C30 Truck	7.4L V8 CARB - 5-1/2 in tall filter	E-1420	HP-3002
K30	7.4L V8 CARB	E-1420	HP-3002	Camaro	2.5L L4 F/I	E-1015	HP-1001
Monte Carlo	3.8L V6 CARB		HP-1001	Camaro	2.8L V6 F/I	33-2008-1*	HP-1001
Monte Carlo	4.3L V6 F/I	E-1450	HP-2001	Camaro	5.0L V8 CARB	E-1450	HP-2002
Monte Carlo	5.0L V8 CARB	E-1500	HP-2002	Camaro	5.0L V8 F/I	33-2008-1*	HP-2002
Motorhome	5.7L V8 4 BBL. - Class A, 1/4 in taller than stock	E-3679		Caprice	3.8L V6 CARB		HP-1001
Motorhome	7.4L V8 4 BBL. - Class A & C, w/ 3-7/16 in Tall Filter	E-1500		Caprice	4.3L V6 F/I	E-1450	HP-2001
Motorhome	7.4L V8 4 BBL. - Class A & C, w/ 5-1/2 in Tall Filter	E-1420		Caprice	5.0L V8 CARB	E-1500	HP-2002
Nova	1.6L L4 CARB	E-2690	HP-1003	Caprice	5.7L V8 CARB	E-1500	HP-3002
P30	5.7L V8 CARB	E-1420	HP-3002	Caprice	5.7L V8 DSL	E-1690	HP-2006
P30	6.2L V8 DSL	E-1690	HP-3002	Cavalier	2.0L L4 F/I	E-1015	HP-2001
P30	7.4L V8 CARB	E-1420	HP-3002	Celebrity	2.8L V6 CARB	E-1950	HP-1001
S10 Blazer	2.5L L4 F/I	E-1015	HP-1001	Celebrity	2.8L V6 F/I	E-0850	HP-1001
S10 Blazer	2.8L V6 F/I	E-1065		Celebrity	4.3L V6 DSL	E-1577	HP-2001
S10 Blazer	2.8L V6 F/I - 2WD	E-1065	HP-2001	Chevette	1.6L L4 CARB	E-1030	HP-1001
S10 Blazer	2.8L V6 F/I - 4WD	E-1065	HP-1001	Citation II	2.8L V6 CARB	E-1950	HP-1001
S10 Pickup	2.5L L4 F/I	E-1015	HP-1001	Citation II	2.8L V6 F/I	E-0850	HP-1001
S10 Pickup	2.8L V6 F/I	E-1065		Corvette	5.7L V8 F/I	33-2014	HP-2002
S10 Pickup	2.8L V6 F/I - 2WD	E-1065	HP-2001	El Camino	4.3L V6 F/I	E-1450	HP-2001
S10 Pickup	2.8L V6 F/I - 4WD	E-1065	HP-1001	El Camino	5.0L V8 CARB	E-1500	HP-2002
Spectrum	1.5L L4 CARB		HP-1004	G10	5.0L V8 CARB	E-1150	HP-3002
Sprint	1.0L L3 CARB	E-2734	HP-1002	G10	5.7L V8 CARB	E-1150	HP-3002
<b>1985 CHEVROLET</b>				G20 Van	5.0L V8 CARB	E-1150	HP-3002
Astro	4.3L V6 CARB	E-1065	HP-2001	G20 Van	5.7L V8 CARB	E-1150	HP-3002
C10	4.3L V6 CARB	E-1500	HP-2001	G20 Van	6.2L V8 DSL	E-1690	HP-3002
C10	5.0L V8 CARB	E-1420	HP-3002	G30	5.7L V8 CARB	E-1150	HP-3002
				G30	6.2L V8 DSL	E-1690	HP-3002

\*Indicates 2 filters required      ♦ - Intake kit available      Applications updated daily at [knfilters.com](http://knfilters.com) ®

**Partial Listing - Complete List of Vehicles and Applications at [knfilters.com](http://knfilters.com)**

# CHEVROLET

# AIR & OIL FILTERS

Vehicle	Engine Type	Air Filter	Oil Filter	Vehicle	Engine Type	Air Filter	Oil Filter
<b>1985 CHEVROLET</b>				<b>1985 CHEVROLET</b>			
Impala	4.3L V6 F/I	E-1450	HP-2001	S10 Pickup	2.8L V6 CARB - 4WD	E-1035	HP-1001
Impala	5.0L V8 CARB	E-1500	HP-2002	Spectrum	1.5L L4 CARB		HP-1004
Impala	5.7L V8 CARB	E-1500	HP-3002	Sprint	1.0L L3 CARB	E-2734	HP-1002
Impala	5.7L V8 DSL	E-1690	HP-2006	<b>1984 CHEVROLET</b>			
K5 Blazer	5.0L V8 CARB	E-1420	HP-3002	C10	4.1L L6 CARB	E-1030	HP-2002
K5 Blazer	5.7L V8 CARB	E-1420	HP-3002	C10	5.0L V8 CARB	E-1420	HP-3002
K5 Blazer	6.2L V8 DSL	E-1690	HP-3002	C10	5.7L V8 CARB		HP-3002
K10	4.3L V6 CARB	E-1500	HP-2001	C10	5.7L V8 CARB - 3-7/16 in tall filter	E-1500	HP-3002
K10	5.0L V8 CARB	E-1420	HP-3002	C10	5.7L V8 CARB - 5-1/2 in tall filter	E-1420	HP-3002
K10	5.7L V8 CARB		HP-3002	C10	6.2L V8 DSL	E-1690	HP-3002
K10	5.7L V8 CARB - 3-7/16 in tall filter	E-1500	HP-3002	C10 Suburban	5.0L V8 CARB	E-1420	HP-3002
K10	5.7L V8 CARB - 5-1/2 in tall filter	E-1420	HP-3002	C10 Suburban	5.7L V8 CARB	E-1420	HP-3002
K10	6.2L V8 DSL	E-1690	HP-3002	C10 Suburban	6.2L V8 DSL	E-1690	HP-3002
K10 Suburban	5.0L V8 CARB	E-1420	HP-3002	C20	4.1L L6 CARB	E-1030	HP-2002
K10 Suburban	5.7L V8 CARB	E-1420	HP-3002	C20	4.8L L6 CARB	E-1120	HP-2002
K10 Suburban	6.2L V8 DSL	E-1690	HP-3002	C20	5.0L V8 CARB	E-1420	HP-3002
K20	4.8L L6 CARB	E-1120	HP-2002	C20	5.7L V8 CARB		HP-3002
K20	5.0L V8 CARB	E-1420	HP-3002	C20	5.7L V8 CARB - 3-7/16 in tall filter	E-1500	HP-3002
K20	5.7L V8 CARB		HP-3002	C20	5.7L V8 CARB - 5-1/2 in tall filter	E-1420	HP-3002
K20	5.7L V8 CARB - 3-7/16 in tall filter	E-1500	HP-3002	C20	6.2L V8 DSL	E-1690	HP-3002
K20	5.7L V8 CARB - 5-1/2 in tall filter	E-1420	HP-3002	C20	7.4L V8 CARB		HP-3002
K20	6.2L V8 DSL	E-1690	HP-3002	C20	7.4L V8 CARB - 3-7/16 in tall filter	E-1500	HP-3002
K20 Suburban	5.0L V8 CARB	E-1420	HP-3002	C20 Suburban	5.0L V8 CARB	E-1420	HP-3002
K20 Suburban	5.7L V8 CARB	E-1420	HP-3002	C20 Suburban	5.7L V8 CARB	E-1420	HP-3002
K20 Suburban	6.2L V8 DSL	E-1690	HP-3002	C20 Suburban	6.2L V8 DSL	E-1690	HP-3002
K20 Suburban	7.4L V8 CARB		HP-3002	C20 Suburban	7.4L V8 CARB		HP-3002
K20 Suburban	7.4L V8 CARB - 3-7/16 in tall filter	E-1500	HP-3002	C20 Suburban	7.4L V8 CARB - 3-7/16 in tall filter	E-1500	HP-3002
K20 Suburban	7.4L V8 CARB - 5-1/2 in tall filter	E-1420	HP-3002	C20 Suburban	7.4L V8 CARB - 5-1/2 in tall filter	E-1420	HP-3002
K30	5.7L V8 CARB		HP-3002	C30 Truck	4.8L L6 CARB	E-1120	HP-2002
K30	5.7L V8 CARB - 3-7/16 in tall filter	E-1500	HP-3002	C30 Truck	5.7L V8 CARB		HP-3002
K30	5.7L V8 CARB - 5-1/2 in tall filter	E-1420	HP-3002	C30 Truck	5.7L V8 CARB - 3-7/16 in tall filter	E-1500	HP-3002
K30	6.2L V8 DSL	E-1690	HP-3002	C30 Truck	5.7L V8 CARB - 5-1/2 in tall filter	E-1420	HP-3002
K30	7.4L V8 CARB		HP-3002	C30 Truck	6.2L V8 DSL	E-1690	HP-3002
K30	7.4L V8 CARB - 3-7/16 in tall filter	E-1500	HP-3002	C30 Truck	7.4L V8 CARB		HP-3002
K30	7.4L V8 CARB - 5-1/2 in tall filter	E-1420	HP-3002	C30 Truck	7.4L V8 CARB - 3-7/16 in tall filter	E-1500	HP-3002
Monte Carlo	3.8L V6 CARB		HP-1001	C30 Truck	7.4L V8 CARB - 5-1/2 in tall filter	E-1420	HP-3002
Monte Carlo	4.3L V6 F/I	E-1450	HP-2001	Camaro	2.5L L4 F/I	E-1015	HP-1001
Monte Carlo	5.0L V8 CARB	E-1500	HP-2002	Camaro	2.8L V6 CARB	E-1030	HP-1001
Motorhome	5.7L V8 4 BBL. - Class A & C	E-1150		Camaro	5.0L V8 CARB	E-1450	HP-2002
Motorhome	5.7L V8 4 BBL. - Class A, 1/4 in taller than stock	E-3679		Caprice	3.8L V6 CARB - VIN 9	E-1065	HP-2001
Motorhome	7.4L V8 4 BBL. - Class A & C, w/ 3-7/16 in Tall Filter	E-1500		Caprice	3.8L V6 CARB - VIN A	E-1150	HP-1001
Motorhome	7.4L V8 4 BBL. - Class A & C, w/ 5-1/2 in Tall Filter	E-1420		Caprice	5.0L V8 CARB	E-1500	HP-2002
Nova	1.6L L4 CARB	E-2690	HP-1003	Caprice	5.7L V8 DSL	E-1690	HP-2006
P30	6.2L V8 DSL	E-1690	HP-3002	Cavalier	2.0L L4 CARB	E-1015	HP-2001
P30	7.4L V8 CARB	E-1420	HP-3002	Cavalier	2.0L L4 F/I	E-1015	HP-2001
S10 Blazer	2.0L L4 CARB	E-1035	HP-1001	Celebrity	2.8L V6 CARB	E-1950	HP-2001
S10 Blazer	2.5L L4 F/I	E-1015	HP-1001	Chevette	1.6L L4 CARB	E-1030	HP-1001
S10 Blazer	2.8L V6 CARB	E-1035		Chevette	1.8L L4 DSL		HP-2007
S10 Blazer	2.8L V6 CARB - 2WD	E-1035	HP-2001	Corvette	5.7L V8 F/I	E-1984	HP-2002
S10 Blazer	2.8L V6 CARB - 4WD	E-1035	HP-1001	El Camino	3.8L V6 CARB - VIN 9	E-1065	HP-2001
S10 Pickup	2.2L L4 DSL	E-2760		El Camino	3.8L V6 CARB - VIN A	E-1150	HP-1001
S10 Pickup	2.5L L4 F/I	E-1015	HP-1001	El Camino	5.0L V8 CARB	E-1500	HP-2002
S10 Pickup	2.8L V6 CARB	E-1035		El Camino	5.7L V8 DSL	E-1690	HP-2006
S10 Pickup	2.8L V6 CARB - 2WD	E-1035	HP-2001	G10	4.1L L6 CARB	E-1030	HP-2002
				G10	5.7L V8 CARB	E-1150	HP-3002
				G20 Van	5.0L V8 CARB	E-1150	HP-3002
				G20 Van	6.2L V8 DSL	E-1690	HP-3002

\*Indicates 2 filters required

◆ - Intake kit available

Applications updated daily at [knfilters.com](http://knfilters.com) ®

# AIR & OIL FILTERS

# CHEVROLET

Vehicle	Engine Type	Air Filter	Oil Filter	Vehicle	Engine Type	Air Filter	Oil Filter
<b>1984 CHEVROLET</b>				<b>1983 CHEVROLET</b>			
G30	4.1L L6 CARB	E-1030	HP-2002	C10	5.7L V8 CARB - w/o 2qt. spin on		HP-3002
G30	5.7L V8 CARB	E-1150	HP-3002	C10	6.2L V8 DSL	E-1690	HP-3002
G30	6.2L V8 DSL	E-1690	HP-3002	C10 Suburban	5.0L V8 CARB	E-1420	HP-3002
Impala	5.0L V8 CARB	E-1500	HP-2002	C10 Suburban	5.7L V8 CARB	E-1420	
Impala	5.7L V8 CARB	E-1500	HP-2002	C10 Suburban	5.7L V8 CARB - 2qt. spin on	E-1420	HP-6002
Impala	5.7L V8 DSL	E-1690	HP-2006	C10 Suburban	5.7L V8 CARB - w/o 2qt. spin on	E-1420	HP-3002
K5 Blazer	5.0L V8 CARB	E-1420	HP-3002	C10 Suburban	6.2L V8 DSL	E-1690	HP-3002
K5 Blazer	5.7L V8 CARB	E-1420	HP-3002	C20	4.1L L6 CARB	E-1030	HP-2002
K5 Blazer	6.2L V8 DSL	E-1690	HP-3002	C20	5.0L V8 CARB	E-1420	HP-3002
K10	4.1L L6 CARB	E-1030	HP-2002	C20	5.7L V8 CARB - 2qt. spin on		HP-6002
K10	5.0L V8 CARB	E-1420	HP-3002	C20	5.7L V8 CARB - 3-7/16 in tall filter	E-1500	
K10	5.7L V8 CARB		HP-3002	C20	5.7L V8 CARB - 5-1/2 in tall filter	E-1420	
K10	5.7L V8 CARB - 3-7/16 in tall filter	E-1500	HP-3002	C20	5.7L V8 CARB - w/o 2qt. spin on		HP-3002
K10	5.7L V8 CARB - 5-1/2 in tall filter	E-1420	HP-3002	C20	6.2L V8 DSL	E-1690	HP-3002
K10	6.2L V8 DSL	E-1690	HP-3002	C20	7.4L V8 CARB		HP-3002
K10 Suburban	5.0L V8 CARB	E-1420	HP-3002	C20 Suburban	5.0L V8 CARB	E-1420	HP-3002
K10 Suburban	5.7L V8 CARB	E-1420	HP-3002	C20 Suburban	5.7L V8 CARB	E-1420	
K10 Suburban	6.2L V8 DSL	E-1690	HP-3002	C20 Suburban	5.7L V8 CARB - 2qt. spin on	E-1420	HP-6002
K20	4.8L L6 CARB	E-1120	HP-2002	C20 Suburban	5.7L V8 CARB - w/o 2qt. spin on	E-1420	HP-3002
K20	5.7L V8 CARB		HP-3002	C20 Suburban	6.2L V8 DSL	E-1690	HP-3002
K20	5.7L V8 CARB - 3-7/16 in tall filter	E-1500	HP-3002	C20 Suburban	7.4L V8 CARB		HP-3002
K20	5.7L V8 CARB - 5-1/2 in tall filter	E-1420	HP-3002	C20 Suburban	5.0L V8 CARB	E-1420	HP-3002
K20	6.2L V8 DSL	E-1690	HP-3002	C20 Suburban	5.7L V8 CARB	E-1420	
K20 Suburban	5.7L V8 CARB	E-1420	HP-3002	C20 Suburban	5.7L V8 CARB - 2qt. spin on	E-1420	HP-6002
K20 Suburban	6.2L V8 DSL	E-1690	HP-3002	C20 Suburban	5.7L V8 CARB - w/o 2qt. spin on	E-1420	HP-3002
K20 Suburban	6.2L V8 DSL	E-1690	HP-3002	C20 Suburban	6.2L V8 DSL	E-1690	HP-3002
K30	5.7L V8 CARB		HP-3002	C20 Suburban	7.4L V8 CARB		HP-3002
K30	5.7L V8 CARB - 3-7/16 in tall filter	E-1500	HP-3002	C20 Suburban	7.4L V8 CARB - 3-7/16 in tall filter	E-1500	HP-3002
K30	6.2L V8 DSL	E-1690	HP-3002	C30 Truck	4.8L L6 CARB	E-1120	HP-2002
K30	7.4L V8 CARB		HP-3002	C30 Truck	5.7L V8 CARB - 2qt. spin on		HP-6002
K30	7.4L V8 CARB - 3-7/16 in tall filter	E-1500	HP-3002	C30 Truck	5.7L V8 CARB - 3-7/16 in tall filter	E-1500	
K30	7.4L V8 CARB - 5-1/2 in tall filter	E-1420	HP-3002	C30 Truck	5.7L V8 CARB - 5-1/2 in tall filter	E-1420	
Monte Carlo	3.8L V6 CARB - VIN 9	E-1065	HP-2001	C30 Truck	5.7L V8 CARB - w/o 2qt. spin on		HP-3002
Monte Carlo	3.8L V6 CARB - VIN A	E-1150	HP-1001	C30 Truck	6.2L V8 DSL	E-1690	HP-3002
Monte Carlo	5.0L V8 CARB	E-1500	HP-2002	C30 Truck	7.4L V8 CARB		HP-3002
Monte Carlo	5.7L V8 DSL	E-1690	HP-2006	C30 Truck	7.4L V8 CARB - 3-7/16 in tall filter	E-1500	HP-3002
Motorhome	5.7L V8 4 BBL. - Class A, 1/4 in taller than stock	E-3679		C30 Truck	7.4L V8 CARB - 5-1/2 in tall filter	E-1420	HP-3002
Motorhome	7.4L V8 4 BBL. - Class A & C, w/ 3-7/16 in Tall Filter	E-1500		Camaro	2.5L L4 CARB	E-1940	HP-1001
Motorhome	7.4L V8 4 BBL. - Class A & C, w/ 5-1/2 in Tall Filter	E-1420		Camaro	2.5L L4 F/I	E-1015	HP-1001
P30	7.4L V8 CARB		HP-3002	Camaro	2.8L V6 CARB	E-1030	HP-1001
S10 Blazer	2.5L L4 F/I	E-1015	HP-1001	Camaro	5.0L V8 CARB	E-1450	HP-2002
S10 Blazer	2.8L V6 CARB	E-1035		Camaro	5.0L V8 F/I	E-1117*	HP-2002
S10 Blazer	2.8L V6 CARB - 2WD	E-1035	HP-2001	Caprice	5.0L V8 CARB	E-1500	HP-2002
S10 Blazer	2.8L V6 CARB - 4WD	E-1035	HP-1001	Caprice	5.7L V8 DSL	E-1690	HP-2006
S10 Pickup	2.0L L4 CARB	E-1035	HP-1001	Cavalier	2.0L L4 CARB	E-1015	HP-2001
S10 Pickup	2.2L L4 DSL	E-2760		Cavalier	2.0L L4 F/I	E-1015	HP-2001
S10 Pickup	2.8L V6 CARB	E-1035		Chevette	1.6L L4 CARB	E-1030	HP-1001
S10 Pickup	2.8L V6 CARB - 2WD	E-1035	HP-2001	Citation	2.8L V6 CARB - VIN X	E-1950	HP-2001
S10 Pickup	2.8L V6 CARB - 4WD	E-1035	HP-1001	Citation	2.8L V6 CARB - VIN Z	E-1955	HP-2001
				El Camino	3.8L V6 CARB - VIN 9	E-1065	HP-2001
				El Camino	3.8L V6 CARB - VIN A	E-1150	HP-1001
				El Camino	5.0L V8 CARB	E-1500	HP-2002
				El Camino	5.7L V8 DSL	E-1690	HP-2006
				G10	5.0L V8 CARB	E-1150	HP-3002
				G20 Van	5.0L V8 CARB	E-1150	HP-3002
				G20 Van	5.7L V8 CARB - w/o 2qt. spin on		HP-3002
				G20 Van	6.2L V8 DSL	E-1690	HP-3002
				G30	5.7L V8 CARB	E-1150	
				G30	5.7L V8 CARB - 2qt. spin on	E-1150	HP-6002

\*Indicates 2 filters required      ♦ - Intake kit available      Applications updated daily at [knfilters.com](http://knfilters.com) ®

**Partial Listing - Complete List of Vehicles and Applications at [knfilters.com](http://knfilters.com)**

# CHEVROLET

# AIR & OIL FILTERS

Vehicle	Engine Type	Air Filter	Oil Filter	Vehicle	Engine Type	Air Filter	Oil Filter
<b>1983 CHEVROLET</b>				<b>1982 CHEVROLET</b>			
G30	5.7L V8 CARB - w/o 2qt. spin on	E-1150	HP-3002	C10	4.1L L6 CARB	E-1030	HP-2002
G30	6.2L V8 DSL	E-1690	HP-3002	C10	5.0L V8 CARB	E-1150	HP-3002
Impala	3.8L V6 CARB - VIN 9	E-1065	HP-2001	C10	5.7L V8 CARB	E-1420	
Impala	3.8L V6 CARB - VIN A	E-1150	HP-1001	C10	5.7L V8 CARB - 2qt. spin on	E-1420	HP-6002
Impala	5.0L V8 CARB	E-1500	HP-2002	C10	5.7L V8 CARB - w/o 2qt. spin on	E-1420	HP-3002
Impala	5.7L V8 CARB	E-1500	HP-3002	C10	6.2L V8 DSL	E-1690	HP-3002
Impala	5.7L V8 DSL	E-1690	HP-2006	C10 Suburban	5.0L V8 CARB	E-1420	HP-3002
K5 Blazer	5.0L V8 CARB	E-1420	HP-3002	C10 Suburban	5.7L V8 CARB	E-1420	
K5 Blazer	5.7L V8 CARB		HP-3002	C10 Suburban	5.7L V8 CARB - 2qt. spin on	E-1420	HP-6002
K5 Blazer	5.7L V8 CARB - 3-7/16 in tall filter	E-1500	HP-3002	C10 Suburban	5.7L V8 CARB - w/o 2qt. spin on	E-1420	HP-3002
K5 Blazer	5.7L V8 CARB - 5-1/2 in tall filter	E-1420	HP-3002	C10 Suburban	6.2L V8 DSL	E-1690	HP-3002
K5 Blazer	6.2L V8 DSL	E-1690	HP-3002	C20	4.1L L6 CARB	E-1030	HP-2002
K10	5.0L V8 CARB	E-1420	HP-3002	C20	5.7L V8 CARB - w/o 2qt. spin on		HP-3002
K10	5.7L V8 CARB - 2qt. spin on		HP-6002	C20	6.2L V8 DSL	E-1690	HP-3002
K10	5.7L V8 CARB - 3-7/16 in tall filter	E-1500		C20	7.4L V8 CARB	E-1320	HP-3002
K10	5.7L V8 CARB - 5-1/2 in tall filter	E-1420		C20 Suburban	5.0L V8 CARB	E-1420	HP-3002
K10	5.7L V8 CARB - w/o 2qt. spin on		HP-3002	C20 Suburban	5.7L V8 CARB - 2qt. spin on		HP-6002
K10	6.2L V8 DSL	E-1690	HP-3002	C20 Suburban	5.7L V8 CARB - w/o 2qt. spin on		HP-3002
K10 Suburban	5.0L V8 CARB	E-1420	HP-3002	C20 Suburban	6.2L V8 DSL	E-1690	HP-3002
K10 Suburban	5.7L V8 CARB	E-1420		C20 Suburban	7.4L V8 CARB		HP-3002
K10 Suburban	5.7L V8 CARB - 2qt. spin on	E-1420	HP-6002	C20 Suburban	7.4L V8 CARB - 3-7/16 in tall filter	E-1500	HP-3002
K10 Suburban	5.7L V8 CARB - w/o 2qt. spin on	E-1420	HP-3002	C30 Truck	5.7L V8 CARB - w/o 2qt. spin on		HP-3002
K10 Suburban	6.2L V8 DSL	E-1690	HP-3002	C30 Truck	6.2L V8 DSL	E-1690	HP-3002
K20	5.7L V8 CARB - 2qt. spin on		HP-6002	C30 Truck	7.4L V8 CARB	E-1320	HP-3002
K20	5.7L V8 CARB - 3-7/16 in tall filter	E-1500		Camaro	2.5L L4 CARB		HP-1001
K20	5.7L V8 CARB - 5-1/2 in tall filter	E-1420		Camaro	2.5L L4 F/I	E-1015	HP-1001
K20	5.7L V8 CARB - w/o 2qt. spin on		HP-3002	Camaro	2.8L V6 CARB	E-1030	HP-2001
K20	6.2L V8 DSL	E-1690	HP-3002	Camaro	5.0L V8 CARB	E-1450	HP-2002
K20 Suburban	5.7L V8 CARB	E-1420	HP-3002	Camaro	5.0L V8 F/I	E-1117*	HP-2002
K20 Suburban	6.2L V8 DSL	E-1690	HP-3002	Caprice	4.4L V8 CARB		HP-2002
K30	6.2L V8 DSL	E-1690	HP-3002	Caprice	5.0L V8 CARB	E-1500	HP-2002
K30	7.4L V8 CARB		HP-3002	Caprice	5.7L V8 DSL	E-1690	HP-2006
K30	7.4L V8 CARB - 3-7/16 in tall filter	E-1500	HP-3002	Cavalier	1.8L L4 CARB	E-1112	HP-2001
Malibu	3.8L V6 CARB - VIN 9	E-1065	HP-2001	Celebrity	4.3L V6 DSL	E-1577	
Malibu	3.8L V6 CARB - VIN A	E-1150	HP-1001	Chevette	1.6L L4 CARB	E-1030	HP-1001
Malibu	5.0L V8 CARB	E-1500	HP-2002	Citation	2.5L L4 F/I	E-1015	HP-1001
Malibu	5.7L V8 DSL	E-1690	HP-2006	Citation	2.8L V6 CARB - VIN X	E-1950	HP-2001
Monte Carlo	3.8L V6 CARB - VIN 9	E-1065	HP-2001	Citation	2.8L V6 CARB - VIN Z	E-1955	HP-2001
Monte Carlo	3.8L V6 CARB - VIN A	E-1150	HP-1001	Corvette	5.7L V8 F/I	E-1117*	HP-2002
Monte Carlo	4.3L V6 DSL	E-1690	HP-2001	El Camino	3.8L V6 CARB - VIN A	E-1150	HP-1001
Monte Carlo	5.0L V8 CARB	E-1500	HP-2002	El Camino	3.8L V6 CARB - VIN K	E-1065	HP-2001
Monte Carlo	5.7L V8 DSL	E-1690	HP-2006	El Camino	4.4L V8 CARB	E-1065	HP-2002
Motorhome	5.7L V8 4 BBL. - Class A, 1/4 in taller than stock	E-3679		El Camino	5.0L V8 CARB	E-1500	HP-2002
Motorhome	7.4L V8 4 BBL. - Class A & C, w/ 3-7/16 in Tall Filter	E-1500		G10	4.1L L6 CARB	E-1030	HP-2002
Motorhome	7.4L V8 4 BBL. - Class A & C, w/ 5-1/2 in Tall Filter	E-1420		G20 Van	5.0L V8 CARB	E-1150	HP-3002
P30	7.4L V8 CARB		HP-3002	G20 Van	5.7L V8 CARB - w/o 2qt. spin on		HP-3002
S10 Blazer	2.8L V6 CARB - 2WD		HP-2001	G30	5.7L V8 CARB - w/o 2qt. spin on		HP-3002
S10 Blazer	2.8L V6 CARB - 4WD		HP-1001	Impala	5.0L V8 CARB	E-1500	HP-2002
S10 Pickup	2.0L L4 CARB	E-1035	HP-1001	Impala	5.7L V8 CARB	E-1500	HP-3002
S10 Pickup	2.8L V6 CARB	E-1035		K5 Blazer	4.1L L6 CARB	E-1030	HP-2002
S10 Pickup	2.8L V6 CARB - 2WD	E-1035	HP-2001	K5 Blazer	5.0L V8 CARB	E-1420	HP-3002
S10 Pickup	2.8L V6 CARB - 4WD	E-1035	HP-1001	K5 Blazer	5.7L V8 CARB	E-1420	
				K5 Blazer	5.7L V8 CARB - 2qt. spin on	E-1420	HP-6002
				K5 Blazer	5.7L V8 CARB - w/o 2qt. spin on	E-1420	HP-3002
				K5 Blazer	6.2L V8 DSL	E-1690	HP-3002
				K10	4.1L L6 CARB	E-1030	HP-2002

\*Indicates 2 filters required

◆ - Intake kit available

Applications updated daily at [knfilters.com](http://knfilters.com) ®

# AIR & OIL FILTERS

# CHEVROLET

Vehicle	Engine Type	Air Filter	Oil Filter	Vehicle	Engine Type	Air Filter	Oil Filter
<b>1982 CHEVROLET</b>				<b>1981 CHEVROLET</b>			
K10	5.0L V8 CARB	E-1150	HP-3002	C30 Truck	5.7L V8 CARB	E-1420	
K10	5.7L V8 CARB	E-1420		C30 Truck	5.7L V8 CARB - 2qt. spin on	E-1420	HP-6002
K10	5.7L V8 CARB - 2qt. spin on	E-1420	HP-6002	C30 Truck	5.7L V8 CARB - w/o 2qt. spin on	E-1420	HP-3002
K10	5.7L V8 CARB - w/o 2qt. spin on	E-1420	HP-3002	C30 Truck	7.4L V8 CARB - 2qt. spin on		HP-6002
K10	6.2L V8 DSL	E-1690	HP-3002	C30 Truck	7.4L V8 CARB - w/o 2qt. spin on		HP-3002
K10 Suburban	5.0L V8 CARB	E-1420	HP-3002	Camaro	3.8L V6 CARB - VIN A	E-1450	HP-1001
K10 Suburban	5.7L V8 CARB	E-1420		Camaro	3.8L V6 CARB - VIN K	E-1065	HP-2001
K10 Suburban	5.7L V8 CARB - 2qt. spin on	E-1420	HP-6002	Camaro	4.4L V8 CARB	E-1065	HP-2002
K10 Suburban	5.7L V8 CARB - w/o 2qt. spin on	E-1420	HP-3002	Camaro	5.0L V8 CARB	E-1500	HP-2002
K10 Suburban	6.2L V8 DSL	E-1690	HP-3002	Camaro	5.7L V8 CARB	E-1500	HP-2002
K20	4.8L L6 CARB	E-1120	HP-2002	Caprice	5.0L V8 CARB	E-1500	HP-2002
K20	5.7L V8 CARB	E-1420		Caprice	5.7L V8 CARB	E-1500	HP-2002
K20	5.7L V8 CARB - 2qt. spin on	E-1420	HP-6002	Caprice	5.7L V8 DSL	E-1690	HP-2006
K20	5.7L V8 CARB - w/o 2qt. spin on	E-1420	HP-3002	Chevette	1.6L L4 CARB	E-1030	HP-1001
K20	6.2L V8 DSL	E-1690	HP-3002	Citation	2.8L V6 CARB	E-1950	HP-2001
K20 Suburban	4.8L L6 CARB	E-1120	HP-2002	Corvette	5.7L V8 CARB	E-1500	HP-2002
K20 Suburban	5.7L V8 CARB	E-1420		El Camino	3.8L V6 CARB - VIN A	E-1150	HP-1001
K20 Suburban	5.7L V8 CARB - 2qt. spin on	E-1420	HP-6002	El Camino	3.8L V6 CARB - VIN K	E-1065	HP-2001
K20 Suburban	5.7L V8 CARB - w/o 2qt. spin on	E-1420	HP-3002	El Camino	4.4L V8 CARB	E-1065	HP-2002
K20 Suburban	6.2L V8 DSL	E-1690	HP-3002	El Camino	5.0L V8 CARB	E-1500	HP-2002
K30	5.7L V8 CARB - w/o 2qt. spin on	E-1420	HP-3002	G20 Van	5.0L V8 2 BBL.	E-1150	HP-3002
K30	6.2L V8 DSL	E-1690	HP-3002	G20 Van	5.0L V8 4 BBL.	E-1420	HP-3002
K30	7.4L V8 CARB	E-1320	HP-3002	G30	5.7L V8 CARB - w/o 2qt. spin on		HP-3002
Malibu	3.8L V6 CARB - VIN A	E-1150	HP-1001	Impala	4.4L V8 CARB	E-1065	HP-2002
Malibu	3.8L V6 CARB - VIN K	E-1065	HP-2001	Impala	5.7L V8 CARB	E-1500	HP-2002
Malibu	5.0L V8 CARB	E-1500	HP-2002	Impala	5.7L V8 DSL	E-1690	HP-2006
Malibu	5.7L V8 DSL	E-1690	HP-2006	K5 Blazer	5.0L V8 2 BBL.	E-1150	HP-3002
Monte Carlo	4.4L V8 CARB	E-1065	HP-2002	K5 Blazer	5.0L V8 4 BBL.	E-1500	HP-3002
Monte Carlo	5.0L V8 CARB	E-1500	HP-2002	K5 Blazer	5.7L V8 CARB	E-1420	HP-3002
Monte Carlo	5.7L V8 DSL	E-1690	HP-2006	K10	4.1L L6 CARB	E-1030	HP-2002
P30	7.4L V8 CARB	E-1320	HP-3002	K10	5.0L V8 CARB	E-1420	HP-3002
S10 Pickup	2.8L V6 CARB	E-1035	HP-2001	K10	5.7L V8 CARB	E-1420	HP-6002
<b>1981 CHEVROLET</b>				K10	5.7L V8 CARB - 2qt. spin on	E-1420	HP-6002
C10	4.1L L6 CARB	E-1030	HP-2002	K10	5.7L V8 CARB - w/o 2qt. spin on	E-1420	HP-3002
C10	5.0L V8 2 BBL.	E-1150	HP-3002	K10 Suburban	5.0L V8 2 BBL.	E-1150	HP-3002
C10	5.0L V8 4 BBL.	E-1420	HP-3002	K10 Suburban	5.0L V8 4 BBL.	E-1500	HP-3002
C10	5.7L V8 CARB	E-1420		K10 Suburban	5.7L V8 CARB	E-1420	
C10	5.7L V8 CARB - 2qt. spin on	E-1420	HP-6002	K10 Suburban	5.7L V8 CARB - 2qt. spin on	E-1420	HP-6002
C10	5.7L V8 CARB - w/o 2qt. spin on	E-1420	HP-3002	K10 Suburban	5.7L V8 CARB - w/o 2qt. spin on	E-1420	HP-3002
C10	5.7L V8 DSL	E-1690	HP-2006	K20	5.7L V8 CARB	E-1420	
C10 Suburban	5.0L V8 2 BBL.	E-1150	HP-3002	K20	5.7L V8 CARB - 2qt. spin on	E-1420	HP-6002
C10 Suburban	5.0L V8 4 BBL.	E-1420	HP-3002	K20	5.7L V8 CARB - w/o 2qt. spin on	E-1420	HP-3002
C10 Suburban	5.7L V8 CARB	E-1420		K20 Suburban	5.7L V8 CARB	E-1420	
C10 Suburban	5.7L V8 CARB - 2qt. spin on	E-1420	HP-6002	K20 Suburban	5.7L V8 CARB - 2qt. spin on	E-1420	HP-6002
C10 Suburban	5.7L V8 CARB - w/o 2qt. spin on	E-1420	HP-3002	K20 Suburban	5.7L V8 CARB - w/o 2qt. spin on	E-1420	HP-3002
C20	4.1L L6 CARB	E-1030	HP-2002	K30	5.7L V8 CARB - w/o 2qt. spin on		HP-3002
C20	5.7L V8 CARB - w/o 2qt. spin on		HP-3002	K30	7.4L V8 CARB - w/o 2qt. spin on		HP-3002
C20	7.4L V8 CARB - w/o 2qt. spin on		HP-3002	Luv	1.8L L4 CARB		HP-1005
C20 Suburban	5.7L V8 CARB - 2qt. spin on		HP-6002	Malibu	5.0L V8 CARB	E-1500	HP-2002
C20 Suburban	5.7L V8 CARB - w/o 2qt. spin on		HP-3002	Malibu	5.7L V8 CARB	E-1500	HP-2002
C20 Suburban	7.4L V8 CARB		HP-3002	Monte Carlo	3.8L V6 CARB - VIN 3	E-0870	HP-1001
C20 Suburban	7.4L V8 CARB - 3-7/16 in tall filter	E-1500	HP-3002	Monte Carlo	3.8L V6 CARB - VIN A	E-1150	HP-1001
C30 Truck	4.8L L6 CARB	E-1120	HP-2002	Monte Carlo	3.8L V6 CARB - VIN K	E-1065	HP-2001
				Monte Carlo	4.4L V8 CARB	E-1065	HP-2002
				Monte Carlo	5.0L V8 CARB	E-1500	HP-2002

\*Indicates 2 filters required      ♦ - Intake kit available      Applications updated daily at [knfilters.com](http://knfilters.com) ®

**Partial Listing - Complete List of Vehicles and Applications at [knfilters.com](http://knfilters.com)**



# CHEVROLET

# AIR & OIL FILTERS

Vehicle	Engine Type	Air Filter	Oil Filter	Vehicle	Engine Type	Air Filter	Oil Filter
<b>1981 CHEVROLET</b>				<b>1980 CHEVROLET</b>			
Monte Carlo	5.7L V8 CARB	E-1500	HP-2002	C20 Suburban	454 V8 CARB - w/o 2qt. spin on		HP-3002
Motorhome	5.7L V8 4 BBL. - Class A, 1/4 in taller than stock	E-3679		C30 Truck	350 V8 CARB - 2qt. spin on		HP-6002
<b>1980 CHEVROLET</b>				C30 Truck	350 V8 CARB - 3-7/16 in tall filter	E-1500	
C10	292 L6 CARB	E-1120	HP-2002	C30 Truck	350 V8 CARB - 5-1/2 in tall filter	E-1420	
C10	305 V8 CARB	E-1150	HP-3002	C30 Truck	350 V8 CARB - w/o 2qt. spin on		HP-3002
C10	350 V8 2 BBL.	E-1150	HP-3002	C30 Truck	454 V8 CARB - 2qt. spin on		HP-6002
C10	350 V8 4 BBL. - 2qt. spin on		HP-6002	C30 Truck	454 V8 CARB - 3-7/16 in tall filter	E-1500	
C10	350 V8 4 BBL. - 3-7/16 in tall filter	E-1500		C30 Truck	454 V8 CARB - 5-1/2 in tall filter	E-1420	
C10	350 V8 4 BBL. - 5-1/2 in tall filter	E-1420		C30 Truck	454 V8 CARB - w/o 2qt. spin on		HP-3002
C10	350 V8 4 BBL. - w/o 2qt. spin on		HP-3002	Camaro	229 V6 CARB	E-1070	HP-1001
C10	350 V8 DSL	E-1690	HP-2006	Camaro	231 V6 CARB	E-1450	HP-1001
C10	400 V8 CARB		HP-3002	Camaro	267 V8 CARB	E-1070	HP-2002
C10	400 V8 CARB - 3-7/16 in tall filter	E-1500	HP-3002	Camaro	305 V8 CARB	E-1500	HP-2002
C10	454 V8 CARB - 3-7/16 in tall filter	E-1500		Camaro	350 V8 CARB	E-1500	HP-2002
C10	454 V8 CARB - w/o 2qt. spin on		HP-3002	Caprice	267 V8 CARB	E-1150	HP-2002
C10 Suburban	305 V8 CARB	E-1150	HP-3002	Caprice	305 V8 CARB	E-1500	HP-2002
C10 Suburban	350 V8 CARB - 2qt. spin on		HP-6002	Caprice	350 V8 CARB		HP-2002
C10 Suburban	350 V8 CARB - 3-7/16 in tall filter	E-1500		Caprice	350 V8 DSL	E-1690	HP-2006
C10 Suburban	350 V8 CARB - 5-1/2 in tall filter	E-1420		Chevette	98 L4 CARB	E-1030	HP-1001
C10 Suburban	350 V8 CARB - w/o 2qt. spin on		HP-3002	Citation	151 L4 CARB	E-1940	HP-1001
C10 Suburban	350 V8 DSL	E-1690	HP-2006	Citation	173 V6 CARB	E-1950	HP-2001
C10 Suburban	454 V8 CARB - 2qt. spin on		HP-6002	Corvette	305 V8 CARB	E-1500	HP-2002
C10 Suburban	454 V8 CARB - 3-7/16 in tall filter	E-1500		Corvette	350 V8 CARB	E-1500	HP-2002
C10 Suburban	454 V8 CARB - 5-1/2 in tall filter	E-1420		El Camino	229 V6 CARB	E-1065	HP-1001
C10 Suburban	454 V8 CARB - w/o 2qt. spin on		HP-3002	El Camino	231 V6 CARB	E-1150	HP-1001
C20	292 L6 CARB	E-1120	HP-2002	El Camino	267 V8 CARB	E-1150	HP-2002
C20	350 V8 2 BBL.	E-1150	HP-3002	El Camino	305 V8 CARB	E-1500	HP-2002
C20	350 V8 4 BBL. - 2qt. spin on		HP-6002	G10	350 V8 CARB - w/o 2qt. spin on		HP-3002
C20	350 V8 4 BBL. - 3-7/16 in tall filter	E-1500		G20 Van	350 V8 CARB - w/o 2qt. spin on		HP-3002
C20	350 V8 4 BBL. - 5-1/2 in tall filter	E-1420		Impala	267 V8 CARB	E-1150	HP-2002
C20	350 V8 4 BBL. - w/o 2qt. spin on		HP-3002	Impala	305 V8 CARB	E-1500	HP-2002
C20	454 V8 CARB - 2qt. spin on		HP-6002	Impala	350 V8 CARB		HP-2002
C20	454 V8 CARB - 3-7/16 in tall filter	E-1500		Impala	350 V8 DSL	E-1690	HP-2006
C20	454 V8 CARB - 5-1/2 in tall filter	E-1420		K5 Blazer	250 L6 CARB	E-1030	HP-2002
C20	454 V8 CARB - w/o 2qt. spin on		HP-3002	K5 Blazer	305 V8 CARB	E-1150	HP-3002
C20 Suburban	292 L6 CARB	E-1120	HP-2002	K5 Blazer	350 V8 CARB - 2qt. spin on		HP-6002
C20 Suburban	305 V8 CARB	E-1150	HP-3002	K5 Blazer	350 V8 CARB - 3-7/16 in tall filter	E-1500	
C20 Suburban	350 V8 CARB - 2qt. spin on		HP-6002	K5 Blazer	350 V8 CARB - 5-1/2 in tall filter	E-1420	
C20 Suburban	350 V8 CARB - 3-7/16 in tall filter	E-1500		K5 Blazer	350 V8 CARB - w/o 2qt. spin on		HP-3002
C20 Suburban	350 V8 CARB - 5-1/2 in tall filter	E-1420		K10	250 L6 CARB	E-1030	HP-2002
C20 Suburban	350 V8 CARB - w/o 2qt. spin on		HP-3002	K10	350 V8 CARB - 2qt. spin on		HP-6002
C20 Suburban	400 V8 CARB		HP-3002	K10	350 V8 CARB - 3-7/16 in tall filter	E-1500	
C20 Suburban	454 V8 CARB - 2qt. spin on		HP-6002	K10	350 V8 CARB - 5-1/2 in tall filter	E-1420	
C20 Suburban	454 V8 CARB - 3-7/16 in tall filter	E-1500		K10	350 V8 CARB - w/o 2qt. spin on		HP-3002
C20 Suburban	454 V8 CARB - 5-1/2 in tall filter	E-1420		K10	400 V8 CARB		HP-3002
C20 Suburban	454 V8 CARB - w/o 2qt. spin on		HP-3002	K10	454 V8 CARB - 3-7/16 in tall filter	E-1500	
C20 Suburban	454 V8 CARB - 2qt. spin on		HP-6002	K10	454 V8 CARB - w/o 2qt. spin on		HP-3002
C20 Suburban	454 V8 CARB - 3-7/16 in tall filter	E-1500		K10 Suburban	250 L6 CARB	E-1030	HP-2002
C20 Suburban	454 V8 CARB - 5-1/2 in tall filter	E-1420		K10 Suburban	305 V8 CARB	E-1150	HP-3002
				K10 Suburban	350 V8 CARB - 2qt. spin on		HP-6002
				K10 Suburban	350 V8 CARB - 3-7/16 in tall filter	E-1500	

\*Indicates 2 filters required

◆ - Intake kit available

Applications updated daily at [knfilters.com](http://knfilters.com) ®

# AIR & OIL FILTERS

# CHEVROLET

Vehicle	Engine Type	Air Filter	Oil Filter	Vehicle	Engine Type	Air Filter	Oil Filter
<b>1980 CHEVROLET</b>				<b>1979 CHEVROLET</b>			
K10 Suburban	350 V8 CARB - 5-1/2 in tall filter			C10 Suburban	350 V8 CARB	E-1450	
K10 Suburban	350 V8 CARB - w/o 2qt. spin on		HP-3002	C10 Suburban	350 V8 CARB - 2qt. spin on	E-1450	HP-6002
K20	350 V8 CARB - 2qt. spin on		HP-6002	C10 Suburban	350 V8 CARB - w/o 2qt. spin on	E-1450	HP-3002
K20	350 V8 CARB - 3-7/16 in tall filter	E-1500		C10 Suburban	350 V8 DSL	E-1690	HP-2006
K20	350 V8 CARB - 5-1/2 in tall filter	E-1420		C10 Suburban	454 V8 CARB	E-1500	
K20	350 V8 CARB - w/o 2qt. spin on		HP-3002	C10 Suburban	454 V8 CARB - 2qt. spin on	E-1500	HP-6002
K20	400 V8 CARB		HP-3002	C10 Suburban	454 V8 CARB - w/o 2qt. spin on	E-1500	HP-3002
K20	454 V8 CARB - 3-7/16 in tall filter	E-1500		C20	305 V8 CARB	E-1150	HP-3002
K20	454 V8 CARB - w/o 2qt. spin on		HP-3002	C20	350 V8 CARB	E-1450	
K20 Suburban	350 V8 2 BBL.	E-1150	HP-3002	C20	350 V8 CARB - 2qt. spin on	E-1450	HP-6002
K20 Suburban	350 V8 4 BBL. - 2qt. spin on		HP-6002	C20	350 V8 CARB - w/o 2qt. spin on	E-1450	HP-3002
K20 Suburban	350 V8 4 BBL. - 3-7/16 in tall filter	E-1500		C20	400 V8 CARB	E-1500	HP-3002
K20 Suburban	350 V8 4 BBL. - 5-1/2 in tall filter	E-1420		C20	400 V8 CARB - w/o 2qt. spin on	E-1500	HP-3002
K20 Suburban	350 V8 4 BBL. - w/o 2qt. spin on		HP-3002	C20	454 V8 CARB	E-1500	HP-3002
K20 Suburban	400 V8 CARB		HP-3002	C20 Suburban	305 V8 CARB	E-1150	HP-3002
K20 Suburban	400 V8 CARB - 3-7/16 in tall filter	E-1500	HP-3002	C20 Suburban	350 V8 CARB	E-1450	
K20 Suburban	400 V8 CARB - 5-1/2 in tall filter	E-1420	HP-3002	C20 Suburban	350 V8 CARB - 2qt. spin on	E-1450	HP-6002
K30	350 V8 CARB - w/o 2qt. spin on		HP-3002	C20 Suburban	350 V8 CARB - w/o 2qt. spin on	E-1450	HP-3002
K30	400 V8 CARB		HP-3002	C20 Suburban	400 V8 CARB - w/o 2qt. spin on	E-1500	HP-3002
K30	454 V8 CARB - 2qt. spin on		HP-6002	C20 Suburban	400 V8 CARB	E-1500	
K30	454 V8 CARB - 3-7/16 in tall filter	E-1500		C20 Suburban	400 V8 CARB - w/o 2qt. spin on	E-1500	HP-3002
K30	454 V8 CARB - 5-1/2 in tall filter	E-1420		C20 Suburban	454 V8 CARB	E-1500	HP-6002
K30	454 V8 CARB - w/o 2qt. spin on		HP-3002	C20 Suburban	454 V8 CARB - 2qt. spin on	E-1500	HP-3002
Luv	1.8L L4 CARB	E-2760	HP-1005	C20 Suburban	454 V8 CARB - w/o 2qt. spin on	E-1500	HP-3002
Malibu	231 V6 CARB	E-1150	HP-1001	C30 Truck	350 V8 CARB	E-1450	HP-6002
Malibu	267 V8 CARB	E-1150	HP-2002	C30 Truck	350 V8 CARB - 2qt. spin on	E-1450	HP-6002
Malibu	305 V8 CARB	E-1500	HP-2002	C30 Truck	350 V8 CARB - w/o 2qt. spin on	E-1450	HP-3002
Malibu	350 V8 CARB	E-1500	HP-2002	C30 Truck	400 V8 CARB - w/o 2qt. spin on	E-1500	HP-3002
Monte Carlo	229 V6 CARB	E-1150	HP-1001	C30 Truck	454 V8 CARB - 2qt. spin on	E-1500	HP-6002
Monte Carlo	231 V6 2 BBL.	E-1150	HP-1001	C30 Truck	454 V8 CARB - w/o 2qt. spin on	E-1500	HP-3002
Monte Carlo	231 V6 4 BBL.	E-0870	HP-1001	Camaro	250 L6 CARB	E-1070	HP-2002
Monte Carlo	267 V8 CARB	E-1150	HP-2002	Camaro	305 V8 CARB	E-1070	HP-2002
Monte Carlo	305 V8 CARB	E-1500	HP-2002	Camaro	350 V8 CARB	E-1500	HP-2002
Monza	151 L4 CARB	E-1940	HP-1001	Caprice	305 V8 CARB	E-1500	HP-2002
Monza	231 V6 CARB	E-1450	HP-1001	Caprice	350 V8 CARB	E-1500	HP-2002
<b>1979 CHEVROLET</b>				<b>1979 CHEVROLET</b>			
C10	250 L6 CARB	E-1030	HP-2002	Chevette	98 L4 CARB	E-1030	HP-1001
C10	292 L6 CARB	E-1120	HP-2002	Corvette	350 V8 CARB	E-1500	HP-2002
C10	305 V8 CARB	E-1150	HP-3002	El Camino	200 V6 CARB	E-1150	HP-1001
C10	350 V8 CARB	E-1450		El Camino	267 V8 CARB	E-1150	HP-2002
C10	350 V8 CARB - 2qt. spin on	E-1450	HP-6002	El Camino	305 V8 CARB	E-1500	HP-2002
C10	350 V8 CARB - w/o 2qt. spin on	E-1450	HP-3002	El Camino	350 V8 CARB	E-1500	HP-2002
C10	350 V8 DSL	E-1690	HP-2006	G20 Van	350 V8 CARB - w/o 2qt. spin on		HP-3002
C10	400 V8 CARB	E-1500		G30	350 V8 CARB - w/o 2qt. spin on		HP-3002
C10	400 V8 CARB - w/o 2qt. spin on	E-1500	HP-3002	G30	350 V8 CARB - w/o 2qt. spin on		HP-3002
C10	454 V8 CARB	E-1500		G30	400 V8 CARB	E-1150	HP-3002
C10	454 V8 CARB - 2qt. spin on	E-1500	HP-6002	Impala	250 L6 CARB		HP-2002
C10	454 V8 CARB - w/o 2qt. spin on	E-1500	HP-3002	Impala	305 V8 CARB		HP-2002
C10 Suburban	250 L6 CARB	E-1030	HP-2002	Impala	350 V8 CARB		HP-2002
C10 Suburban	305 V8 CARB	E-1150	HP-3002	K5 Blazer	250 L6 CARB	E-1030	HP-2002
				K5 Blazer	305 V8 CARB - w/o 2qt. spin on		HP-3002
				K5 Blazer	350 V8 CARB	E-1500	

\*Indicates 2 filters required      ♦ - Intake kit available      Applications updated daily at [knfilters.com](http://knfilters.com) ®

**Partial Listing - Complete List of Vehicles and Applications at [knfilters.com](http://knfilters.com)**

# CHEVROLET

# AIR & OIL FILTERS

Vehicle	Engine Type	Air Filter	Oil Filter	Vehicle	Engine Type	Air Filter	Oil Filter
<b>1979 CHEVROLET</b>				<b>1978 CHEVROLET</b>			
K5 Blazer	350 V8 CARB - 2qt. spin on	E-1500	HP-6002	C10	250 L6 CARB		HP-2002
K5 Blazer	350 V8 CARB - w/o 2qt. spin on	E-1500	HP-3002	C10	250 L6 CARB - w/pwr. brakes	E-1120	HP-2002
K5 Blazer	400 V8 CARB	E-1500		C10	305 V8 CARB	E-1450	HP-3002
K5 Blazer	400 V8 CARB - 2qt. spin on	E-1500	HP-6002	C10	350 V8 CARB	E-1450	
K5 Blazer	400 V8 CARB - w/o 2qt. spin on	E-1500	HP-3002	C10	350 V8 CARB - 2qt. spin on	E-1450	HP-6002
K10	305 V8 CARB	E-1150	HP-3002	C10	350 V8 CARB - w/o 2qt. spin on	E-1450	HP-3002
K10	350 V8 CARB	E-1450		C10	350 V8 DSL	E-1690	HP-2003
K10	350 V8 CARB - 2qt. spin on	E-1450	HP-6002	C10	400 V8 CARB	E-1500	HP-3002
K10	350 V8 CARB - w/o 2qt. spin on	E-1450	HP-3002	C10	454 V8 CARB	E-1500	
K10	400 V8 CARB	E-1500		C10	454 V8 CARB - 2qt. spin on	E-1500	HP-6002
K10	400 V8 CARB - w/o 2qt. spin on	E-1500	HP-3002	C10	454 V8 CARB - w/o 2qt. spin on	E-1500	HP-3002
K10	454 V8 CARB	E-1500		C10 Suburban	250 L6 CARB		HP-2002
K10	454 V8 CARB - w/o 2qt. spin on	E-1500	HP-3002	C10 Suburban	250 L6 CARB - w/ 3 in Tall Filter	E-1120	HP-2002
K10 Suburban	305 V8 CARB	E-1150	HP-3002	C10 Suburban	305 V8 CARB	E-1450	HP-3002
K10 Suburban	350 V8 CARB	E-1450		C10 Suburban	350 V8 CARB	E-1500	
K10 Suburban	350 V8 CARB - 2qt. spin on	E-1450	HP-6002	C10 Suburban	350 V8 CARB - 2qt. spin on	E-1500	HP-6002
K10 Suburban	350 V8 CARB - w/o 2qt. spin on	E-1450	HP-3002	C10 Suburban	350 V8 CARB - w/o 2qt. spin on	E-1500	HP-3002
K10 Suburban	400 V8 CARB	E-1500		C10 Suburban	350 V8 DSL	E-1690	HP-2003
K10 Suburban	400 V8 CARB - w/o 2qt. spin on	E-1500	HP-3002	C10 Suburban	454 V8 CARB	E-1500	
K20	350 V8 CARB	E-1450		C10 Suburban	454 V8 CARB - 2qt. spin on	E-1500	HP-6002
K20	350 V8 CARB - 2qt. spin on	E-1450	HP-6002	C10 Suburban	454 V8 CARB - w/o 2qt. spin on	E-1500	HP-3002
K20	350 V8 CARB - w/o 2qt. spin on	E-1450	HP-3002	C20	305 V8 CARB	E-1450	HP-3002
K20	400 V8 CARB	E-1500		C20	350 V8 CARB	E-1450	
K20	400 V8 CARB - 2qt. spin on	E-1500	HP-6002	C20	350 V8 CARB - 2qt. spin on	E-1450	HP-6002
K20	400 V8 CARB - w/o 2qt. spin on	E-1500	HP-3002	C20	350 V8 CARB - w/o 2qt. spin on	E-1450	HP-3002
K20 Suburban	350 V8 CARB	E-1500		C20	400 V8 CARB	E-1500	HP-3002
K20 Suburban	350 V8 CARB - 2qt. spin on	E-1500	HP-6002	C20	454 V8 CARB	E-1500	
K20 Suburban	350 V8 CARB - w/o 2qt. spin on	E-1500	HP-3002	C20	454 V8 CARB - w/o 2qt. spin on	E-1500	HP-3002
K20 Suburban	400 V8 CARB	E-1500		C20 Suburban	305 V8 CARB	E-1450	HP-3002
K20 Suburban	400 V8 CARB - 2qt. spin on	E-1500	HP-6002	C20 Suburban	350 V8 CARB	E-1450	
K20 Suburban	400 V8 CARB - w/o 2qt. spin on	E-1500	HP-3002	C20 Suburban	350 V8 CARB - 2qt. spin on	E-1450	HP-6002
K30	292 L6 CARB	E-1120	HP-2002	C20 Suburban	350 V8 CARB - w/o 2qt. spin on	E-1450	HP-3002
K30	350 V8 CARB - w/o 2qt. spin on		HP-3002	C20 Suburban	454 V8 CARB - 2qt. spin on	E-1500	HP-6002
K30	400 V8 CARB	E-1500		C20 Suburban	454 V8 CARB - w/o 2qt. spin on	E-1500	HP-3002
K30	400 V8 CARB - w/o 2qt. spin on	E-1500	HP-3002	C30 Truck	350 V8 CARB	E-1450	
Malibu	200 V6 CARB	E-1150	HP-1001	C30 Truck	350 V8 CARB - 2qt. spin on	E-1450	HP-6002
Malibu	231 V6 CARB	E-1150	HP-1001	C30 Truck	350 V8 CARB - w/o 2qt. spin on	E-1450	HP-3002
Malibu	267 V8 CARB	E-1150	HP-2002	C30 Truck	350 V8 DSL	E-1690	HP-2003
Malibu	305 V8 CARB	E-1500	HP-2002	C30 Truck	400 V8 CARB	E-1500	HP-3002
Malibu	350 V8 CARB	E-1500	HP-2002	C30 Truck	454 V8 CARB	E-1500	
Monte Carlo	231 V6 CARB	E-1150	HP-1001	C30 Truck	454 V8 CARB - 2qt. spin on	E-1500	HP-6002
Monte Carlo	267 V8 CARB	E-1150	HP-2002	C30 Truck	454 V8 CARB - w/o 2qt. spin on	E-1500	HP-3002
Monte Carlo	305 V8 CARB	E-1500	HP-2002	Camaro	250 L6 CARB	E-1070	HP-2002
Monza	151 L4 CARB - VIN V, VIN 9		HP-2002	Camaro	305 V8 CARB	E-1450	HP-2002
Motorhome	350 V8 4 BBL. - Class A, 1/4 in taller than stock	E-3679		Camaro	350 V8 CARB	E-1500	HP-2002
Nova	250 L6 CARB	E-1070	HP-2002	Caprice	350 V8 CARB	E-1500	HP-2002
Nova	305 V8 CARB	E-1070	HP-2002	Chevette	98 L4 CARB		HP-1001
Nova	350 V8 CARB	E-1500	HP-2002	Corvette	350 V8 CARB	E-1500	HP-2002
P20	350 V8 CARB - w/o 2qt. spin on		HP-3002	El Camino	200 V6 CARB	E-1150	HP-1001
				El Camino	231 V6 CARB	E-1150	HP-1001

\*Indicates 2 filters required

◆ - Intake kit available

Applications updated daily at [knfilters.com](http://knfilters.com) ®

# AIR & OIL FILTERS

# CHEVROLET

Vehicle	Engine Type	Air Filter	Oil Filter	Vehicle	Engine Type	Air Filter	Oil Filter
<b>1978 CHEVROLET</b>				<b>1977 CHEVROLET</b>			
El Camino	305 V8 CARB	E-1450	HP-2002	C10	350 V8 CARB - w/o 2qt. spin on	E-1500	HP-3002
El Camino	350 V8 CARB	E-1500	HP-2002	C10	400 V8 CARB - w/o 2qt. spin on		HP-3002
G20 Van	350 V8 CARB - w/o 2qt. spin on		HP-3002	C10	454 V8 CARB	E-1500	
G30	350 V8 CARB - w/o 2qt. spin on		HP-3002	C10	454 V8 CARB - 2qt. spin on	E-1500	HP-6002
G30	400 V8 CARB		HP-3002	C10	454 V8 CARB - w/o 2qt. spin on	E-1500	HP-3002
Impala	250 L6 CARB		HP-2002	C10 Suburban	250 L6 CARB		HP-2002
Impala	305 V8 CARB	E-1500	HP-2002	C10 Suburban	250 L6 CARB - w/ 3 in Tall Filter	E-1120	HP-2002
Impala	350 V8 CARB	E-1500	HP-2002	C10 Suburban	305 V8 CARB	E-1450	HP-3002
K5 Blazer	305 V8 CARB	E-1450	HP-3002	C10 Suburban	350 V8 CARB	E-1500	
K5 Blazer	350 V8 CARB	E-1500		C10 Suburban	350 V8 CARB - 2qt. spin on	E-1500	HP-6002
K5 Blazer	350 V8 CARB - w/o 2qt. spin on	E-1500	HP-3002	C10 Suburban	350 V8 CARB - w/o 2qt. spin on	E-1500	HP-3002
K5 Blazer	400 V8 CARB	E-1500	HP-3002	C10 Suburban	454 V8 CARB	E-1500	
K5 Blazer	454 V8 CARB	E-1500		C10 Suburban	454 V8 CARB - 2qt. spin on	E-1500	HP-6002
K5 Blazer	454 V8 CARB - w/o 2qt. spin on	E-1500	HP-3002	C10 Suburban	454 V8 CARB - w/o 2qt. spin on	E-1500	HP-3002
K10	305 V8 CARB	E-1120	HP-2002	C10 Suburban	454 V8 CARB - 2qt. spin on	E-1500	HP-6002
K10	350 V8 CARB	E-1450		C10 Suburban	454 V8 CARB - w/o 2qt. spin on	E-1500	HP-3002
K10	350 V8 CARB - 2qt. spin on	E-1450	HP-6002	C20	350 V8 CARB	E-1500	
K10	350 V8 CARB - w/o 2qt. spin on	E-1450	HP-3002	C20	350 V8 CARB - 2qt. spin on	E-1500	HP-6002
K10	400 V8 CARB	E-1500	HP-3002	C20	350 V8 CARB - w/o 2qt. spin on	E-1500	HP-3002
K10 Suburban	305 V8 CARB	E-1120	HP-3002	C20	454 V8 CARB	E-1500	
K10 Suburban	350 V8 CARB	E-1450		C20	454 V8 CARB - 2qt. spin on	E-1500	HP-6002
K10 Suburban	350 V8 CARB - 2qt. spin on	E-1450	HP-6002	C20	454 V8 CARB - w/o 2qt. spin on	E-1500	HP-3002
K10 Suburban	350 V8 CARB - w/o 2qt. spin on	E-1450	HP-3002	C20 Suburban	350 V8 CARB	E-1500	
K10 Suburban	400 V8 CARB	E-1500	HP-3002	C20 Suburban	350 V8 CARB - 2qt. spin on	E-1500	HP-6002
K20	305 V8 CARB	E-1120	HP-3002	C20 Suburban	350 V8 CARB - w/o 2qt. spin on	E-1500	HP-3002
K20	350 V8 CARB	E-1450		C20 Suburban	454 V8 CARB	E-1500	
K20	350 V8 CARB - 2qt. spin on	E-1450	HP-6002	C20 Suburban	454 V8 CARB - 2qt. spin on	E-1500	HP-6002
K20	350 V8 CARB - w/o 2qt. spin on	E-1450	HP-3002	C20 Suburban	454 V8 CARB - w/o 2qt. spin on	E-1500	HP-3002
K20	400 V8 CARB	E-1500	HP-3002	C20 Suburban	454 V8 CARB - w/o 2qt. spin on	E-1500	HP-3002
K20	454 V8 CARB	E-1500		C30 Truck	350 V8 CARB	E-1500	
K20	454 V8 CARB - w/o 2qt. spin on	E-1500	HP-3002	C30 Truck	350 V8 CARB - w/o 2qt. spin on	E-1500	HP-3002
K20 Suburban	305 V8 CARB	E-1120	HP-3002	C30 Truck	400 V8 CARB	E-1500	
K20 Suburban	350 V8 CARB	E-1450		C30 Truck	400 V8 CARB - w/o 2qt. spin on	E-1500	HP-3002
K20 Suburban	350 V8 CARB - 2qt. spin on	E-1450	HP-6002	C30 Truck	454 V8 CARB	E-1500	
K20 Suburban	350 V8 CARB - w/o 2qt. spin on	E-1450	HP-3002	C30 Truck	454 V8 CARB - w/o 2qt. spin on	E-1500	HP-3002
K20 Suburban	400 V8 CARB	E-1500	HP-3002	Camaro	250 L6 CARB	E-1070	HP-2002
K30	350 V8 CARB - w/o 2qt. spin on		HP-3002	Camaro	305 V8 CARB	E-1450	HP-2002
K30	400 V8 CARB	E-1500	HP-3002	Camaro	350 V8 CARB	E-1500	HP-2002
Malibu	305 V8 CARB	E-1450	HP-2002	Caprice	250 L6 CARB		HP-2002
Malibu	350 V8 CARB	E-1500	HP-2002	Caprice	305 V8 CARB	E-1500	HP-2002
Monte Carlo	305 V8 CARB	E-1450	HP-2002	Caprice	350 V8 CARB	E-1500	HP-2002
Monza	305 V8 CARB	E-1450	HP-2002	Chevette	85 L4 CARB		HP-1001
Nova	250 L6 CARB	E-1070	HP-2002	Corvette	350 V8 CARB	E-1500	HP-2002
Nova	305 V8 CARB	E-1450	HP-2002	El Camino	305 V8 CARB	E-1500	HP-3002
Nova	350 V8 CARB	E-1500	HP-2002	El Camino	350 V8 CARB	E-1500	HP-3002
P30	350 V8 CARB - w/o 2qt. spin on		HP-3002	G10	350 V8 CARB - w/o 2qt. spin on		HP-3002
<b>1977 CHEVROLET</b>				Impala	305 V8 CARB	E-1500	HP-2002
C10	250 L6 CARB		HP-2002	Impala	350 V8 CARB	E-1500	HP-2002
C10	250 L6 CARB - w/pwr. brakes	E-1120	HP-2002	K5 Blazer	350 V8 CARB	E-1500	
C10	292 L6 CARB	E-1120	HP-2002	K5 Blazer	350 V8 CARB - 2qt. spin on	E-1500	HP-6002
C10	305 V8 CARB	E-1450	HP-3002	K5 Blazer	350 V8 CARB - w/o 2qt. spin on	E-1500	HP-3002
C10	350 V8 CARB	E-1500		K5 Blazer	400 V8 CARB	E-1500	
C10	350 V8 CARB - 2qt. spin on	E-1500	HP-6002	K5 Blazer	400 V8 CARB - w/o 2qt. spin on	E-1500	HP-3002

\*Indicates 2 filters required      ♦ - Intake kit available      Applications updated daily at [knfilters.com](http://knfilters.com) ®

**Partial Listing - Complete List of Vehicles and Applications at [knfilters.com](http://knfilters.com)**

# CHEVROLET

# AIR & OIL FILTERS

Vehicle	Engine Type	Air Filter	Oil Filter	Vehicle	Engine Type	Air Filter	Oil Filter
<b>1977 CHEVROLET</b>				<b>1976 CHEVROLET</b>			
K5 Blazer	454 V8 CARB - w/o 2qt. spin on		HP-3002	C10 Suburban	454 V8 CARB - w/o 2qt. spin on	E-1500	HP-3002
K10	305 V8 CARB	E-1450	HP-3002	C20	350 V8 CARB	E-1500	
K10	350 V8 CARB	E-1500		C20	350 V8 CARB - 2qt. spin on	E-1500	HP-6002
K10	350 V8 CARB - 2qt. spin on	E-1500	HP-6002	C20	350 V8 CARB - w/o 2qt. spin on	E-1500	HP-3002
K10	350 V8 CARB - w/o 2qt. spin on	E-1500	HP-3002	C20	454 V8 CARB	E-1500	
K10	400 V8 CARB	E-1500		C20	454 V8 CARB - 2qt. spin on	E-1500	HP-6002
K10	400 V8 CARB - 2qt. spin on	E-1500	HP-6002	C20	454 V8 CARB - w/o 2qt. spin on	E-1500	HP-3002
K10	400 V8 CARB - w/o 2qt. spin on	E-1500	HP-3002	C20 Suburban	350 V8 CARB	E-1500	
K10 Suburban	305 V8 CARB	E-1450	HP-3002	C20 Suburban	350 V8 CARB - 2qt. spin on	E-1500	HP-6002
K10 Suburban	350 V8 CARB	E-1500		C20 Suburban	350 V8 CARB - w/o 2qt. spin on	E-1500	HP-3002
K10 Suburban	350 V8 CARB - 2qt. spin on	E-1500	HP-6002	C20 Suburban	400 V8 CARB - w/o 2qt. spin on		HP-3002
K10 Suburban	350 V8 CARB - w/o 2qt. spin on	E-1500	HP-3002	C20 Suburban	454 V8 CARB	E-1500	
K10 Suburban	400 V8 CARB	E-1500		C20 Suburban	454 V8 CARB - 2qt. spin on	E-1500	HP-6002
K10 Suburban	400 V8 CARB - 2qt. spin on	E-1500	HP-6002	C20 Suburban	454 V8 CARB - w/o 2qt. spin on	E-1500	HP-3002
K10 Suburban	400 V8 CARB - w/o 2qt. spin on	E-1500	HP-3002	C20 Suburban	454 V8 CARB - w/o 2qt. spin on	E-1500	HP-3002
K20	350 V8 CARB	E-1500		C30 Truck	350 V8 CARB	E-1500	
K20	350 V8 CARB - 2qt. spin on	E-1500	HP-6002	C30 Truck	350 V8 CARB - 2qt. spin on	E-1500	HP-6002
K20	350 V8 CARB - w/o 2qt. spin on	E-1500	HP-3002	C30 Truck	350 V8 CARB - w/o 2qt. spin on	E-1500	HP-3002
K20	400 V8 CARB - w/o 2qt. spin on		HP-3002	C30 Truck	400 V8 CARB - w/o 2qt. spin on		HP-3002
K20	454 V8 CARB	E-1500		C30 Truck	454 V8 CARB	E-1500	
K20	454 V8 CARB - w/o 2qt. spin on	E-1500	HP-3002	C30 Truck	454 V8 CARB - 2qt. spin on	E-1500	HP-6002
K20 Suburban	350 V8 CARB	E-1500		C30 Truck	454 V8 CARB - w/o 2qt. spin on	E-1500	HP-3002
K20 Suburban	350 V8 CARB - 2qt. spin on	E-1500	HP-6002	Camaro	250 L6 CARB	E-1070	HP-2002
K20 Suburban	350 V8 CARB - w/o 2qt. spin on	E-1500	HP-3002	Camaro	305 V8 CARB	E-1450	HP-2002
K20 Suburban	400 V8 CARB - w/o 2qt. spin on		HP-3002	Camaro	350 V8 CARB	E-1500	HP-2002
K20 Suburban	400 V8 CARB - w/o 2qt. spin on		HP-3002	Caprice	350 V8 CARB	E-1500	HP-2002
K30	454 V8 CARB - w/o 2qt. spin on		HP-3002	Caprice	400 V8 CARB	E-1500	HP-2002
Malibu	250 L6 CARB	E-1070	HP-2002	Caprice	454 V8 CARB	E-1500	
Malibu	305 V8 CARB	E-1500	HP-2002	Chevette	85 L4 CARB		HP-1001
Malibu	350 V8 CARB	E-1500	HP-2002	Chevette	98 L4 CARB		HP-1001
Monte Carlo	305 V8 CARB	E-1500	HP-2002	Corvette	350 V8 CARB	E-1500	HP-2002
Monte Carlo	350 V8 CARB	E-1500	HP-2002	El Camino	250 L6 CARB		HP-2002
Monza	305 V8 CARB	E-1450	HP-2002	El Camino	305 V8 CARB	E-1500	HP-3002
Nova	250 L6 CARB	E-1070	HP-2002	El Camino	350 V8 CARB	E-1500	HP-3002
Nova	305 V8 CARB	E-1450	HP-2002	El Camino	400 V8 CARB	E-1500	HP-3002
Nova	350 V8 CARB	E-1500	HP-2002	G10	250 L6 CARB	E-1070	HP-2002
<b>1976 CHEVROLET</b>				G30	350 V8 CARB - w/o 2qt. spin on		HP-3002
C10	250 L6 CARB		HP-2002	Impala	350 V8 CARB	E-1500	HP-2002
C10	305 V8 CARB	E-1450	HP-3002	Impala	400 V8 CARB	E-1500	HP-2002
C10	350 V8 CARB	E-1500		K5 Blazer	250 L6 CARB	E-1120	HP-2002
C10	350 V8 CARB - 2qt. spin on	E-1500	HP-6002	K5 Blazer	350 V8 CARB	E-1500	
C10	350 V8 CARB - w/o 2qt. spin on	E-1500	HP-3002	K5 Blazer	350 V8 CARB - w/o 2qt. spin on	E-1500	HP-3002
C10	400 V8 CARB - w/o 2qt. spin on		HP-3002	K5 Blazer	400 V8 CARB	E-1500	
C10	454 V8 CARB	E-1500		K5 Blazer	400 V8 CARB - w/o 2qt. spin on	E-1500	HP-3002
C10	454 V8 CARB - w/o 2qt. spin on	E-1500	HP-3002	K5 Blazer	454 V8 CARB	E-1500	
C10 Suburban	250 L6 CARB	E-1120	HP-2002	K5 Blazer	454 V8 CARB - w/o 2qt. spin on	E-1500	HP-3002
C10 Suburban	305 V8 CARB	E-1450	HP-3002	K10	350 V8 CARB	E-1500	
C10 Suburban	350 V8 CARB	E-1500		K10	350 V8 CARB - 2qt. spin on	E-1500	HP-6002
C10 Suburban	350 V8 CARB - 2qt. spin on	E-1500	HP-6002	K10	350 V8 CARB - w/o 2qt. spin on	E-1500	HP-3002
C10 Suburban	350 V8 CARB - w/o 2qt. spin on	E-1500	HP-3002	K10	400 V8 CARB	E-1500	
C10 Suburban	454 V8 CARB	E-1500		K10	400 V8 CARB - w/o 2qt. spin on	E-1500	HP-3002
C10 Suburban	454 V8 CARB - w/o 2qt. spin on	E-1500	HP-3002	K10	454 V8 CARB - w/o 2qt. spin on		HP-3002

\*Indicates 2 filters required

◆ - Intake kit available

Applications updated daily at [knfilters.com](http://knfilters.com) ®

# AIR & OIL FILTERS

# CHEVROLET

Vehicle	Engine Type	Air Filter	Oil Filter	Vehicle	Engine Type	Air Filter	Oil Filter
<b>1976 CHEVROLET</b>				<b>1975 CHEVROLET</b>			
K10 Suburban	350 V8 CARB	E-1500		C20	350 V8 2 BBL. - w/o 2qt. spin on	E-1450	HP-3002
K10 Suburban	350 V8 CARB - 2qt. spin on	E-1500	HP-6002	C20	350 V8 4 BBL.	E-1500	
K10 Suburban	350 V8 CARB - w/o 2qt. spin on	E-1500	HP-3002	C20	350 V8 4 BBL. - 2qt. spin on	E-1500	HP-6002
K10 Suburban	400 V8 CARB	E-1500		C20	350 V8 4 BBL. - w/o 2qt. spin on	E-1500	HP-3002
K10 Suburban	400 V8 CARB - w/o 2qt. spin on	E-1500	HP-3002	C20	454 V8 CARB	E-1500	
K20	350 V8 CARB	E-1500		C20	454 V8 CARB - 2qt. spin on	E-1500	HP-6002
K20	350 V8 CARB - 2qt. spin on	E-1500	HP-6002	C20	454 V8 CARB - w/o 2qt. spin on	E-1500	HP-3002
K20	350 V8 CARB - w/o 2qt. spin on	E-1500	HP-3002	C20 Suburban	350 V8 2 BBL.	E-1450	
K20	400 V8 CARB	E-1500		C20 Suburban	350 V8 2 BBL. - 2qt. spin on	E-1450	HP-6002
K20	400 V8 CARB - w/o 2qt. spin on	E-1500	HP-3002	C20 Suburban	350 V8 2 BBL. - w/o 2qt. spin on	E-1450	HP-3002
K20	454 V8 CARB - w/o 2qt. spin on		HP-3002	C20 Suburban	350 V8 4 BBL.	E-1500	
K20 Suburban	350 V8 CARB	E-1500		C20 Suburban	350 V8 4 BBL. - 2qt. spin on	E-1500	HP-6002
K20 Suburban	350 V8 CARB - 2qt. spin on	E-1500	HP-6002	C20 Suburban	350 V8 4 BBL. - w/o 2qt. spin on	E-1500	HP-3002
K20 Suburban	350 V8 CARB - w/o 2qt. spin on	E-1500	HP-3002	C20 Suburban	350 V8 4 BBL. - w/o 2qt. spin on	E-1500	HP-3002
K20 Suburban	400 V8 CARB	E-1500		C20 Suburban	454 V8 CARB	E-1500	
K20 Suburban	400 V8 CARB - 2qt. spin on	E-1500	HP-6002	C20 Suburban	454 V8 CARB - 2qt. spin on	E-1500	HP-6002
K20 Suburban	400 V8 CARB - w/o 2qt. spin on	E-1500	HP-3002	C20 Suburban	454 V8 CARB - w/o 2qt. spin on	E-1500	HP-3002
Monte Carlo	305 V8 CARB	E-1450	HP-2002	C30 Truck	350 V8 2 BBL. - 2qt. spin on		HP-6002
Monte Carlo	350 V8 CARB	E-1500	HP-2002	C30 Truck	350 V8 2 BBL. - w/o 2qt. spin on		HP-3002
Monte Carlo	400 V8 CARB	E-1500	HP-2002	C30 Truck	350 V8 4 BBL.	E-1500	
Motorhome	350 V8 4 BBL. - Class A, 1/4 in taller than stock	E-3679		C30 Truck	350 V8 4 BBL. - 2qt. spin on	E-1500	HP-6002
Nova	250 L6 CARB	E-1070	HP-2002	C30 Truck	350 V8 4 BBL. - w/o 2qt. spin on	E-1500	HP-3002
Nova	305 V8 CARB	E-1450	HP-2002	C30 Truck	454 V8 CARB	E-1500	
Nova	350 V8 CARB	E-1500	HP-2002	C30 Truck	454 V8 CARB - 2qt. spin on	E-1500	HP-6002
Vega	122 L4 F/I	E-4490	HP-2002	C30 Truck	454 V8 CARB - w/o 2qt. spin on	E-1500	HP-3002
<b>1975 CHEVROLET</b>				Camaro	250 L6 CARB	E-1070	HP-2002
Bel Air	350 V8 2 BBL.		HP-2002	Camaro	350 V8 2 BBL.	E-1450	HP-2002
Bel Air	350 V8 4 BBL.	E-1500	HP-2002	Camaro	350 V8 4 BBL.	E-1500	HP-2002
C10	350 V8 2 BBL.	E-1450		Caprice	350 V8 2 BBL.	E-1500	HP-2002
C10	350 V8 2 BBL. - 2qt. spin on	E-1450	HP-6002	Caprice	350 V8 4 BBL.	E-1500	HP-2002
C10	350 V8 2 BBL. - w/o 2qt. spin on	E-1450	HP-3002	Corvette	350 V8 CARB	E-1500	HP-2002
C10	350 V8 4 BBL.	E-1500		El Camino	250 L6 CARB		HP-2002
C10	350 V8 4 BBL. - 2qt. spin on	E-1500	HP-6002	El Camino	350 V8 2 BBL.	E-1500	HP-3002
C10	350 V8 4 BBL. - w/o 2qt. spin on	E-1500	HP-3002	El Camino	350 V8 4 BBL.	E-1500	HP-3002
C10	454 V8 CARB	E-1500		El Camino	400 V8 CARB	E-1500	HP-3002
C10	454 V8 CARB - 2qt. spin on	E-1500	HP-6002	El Camino	454 V8 CARB		HP-3002
C10	454 V8 CARB - w/o 2qt. spin on	E-1500	HP-3002	G20 Van	350 V8 2 BBL. - w/o 2qt. spin on		HP-3002
C10 Suburban	350 V8 2 BBL.	E-1450		G20 Van	350 V8 4 BBL. - w/o 2qt. spin on		HP-3002
C10 Suburban	350 V8 2 BBL. - 2qt. spin on	E-1450	HP-6002	Impala	350 V8 CARB	E-1500	HP-2002
C10 Suburban	350 V8 2 BBL. - w/o 2qt. spin on	E-1450	HP-3002	K5 Blazer	350 V8 2 BBL.	E-1450	
C10 Suburban	350 V8 4 BBL.	E-1500		K5 Blazer	350 V8 2 BBL. - w/o 2qt. spin on	E-1450	HP-3002
C10 Suburban	350 V8 4 BBL. - 2qt. spin on	E-1500	HP-6002	K5 Blazer	350 V8 4 BBL.	E-1500	HP-3002
C10 Suburban	350 V8 4 BBL. - w/o 2qt. spin on	E-1500	HP-3002	K5 Blazer	350 V8 4 BBL. - w/o 2qt. spin on	E-1500	HP-3002
C10 Suburban	454 V8 CARB	E-1500		K10	250 L6 CARB	E-1120	HP-2002
C10 Suburban	454 V8 CARB - 2qt. spin on	E-1500	HP-6002	K10	350 V8 2 BBL.	E-1450	
C10 Suburban	454 V8 CARB - w/o 2qt. spin on	E-1500	HP-3002	K10	350 V8 2 BBL. - 2qt. spin on	E-1450	HP-6002
C20	350 V8 2 BBL.	E-1450		K10	350 V8 2 BBL. - w/o 2qt. spin on	E-1450	HP-3002
C20	350 V8 2 BBL. - 2qt. spin on	E-1450	HP-6002	K10	350 V8 4 BBL.	E-1500	
				K10	350 V8 4 BBL. - 2qt. spin on	E-1500	HP-6002
				K10	350 V8 4 BBL. - w/o 2qt. spin on	E-1500	HP-3002

\*Indicates 2 filters required

◆ - Intake kit available

Applications updated daily at [knfilters.com](http://knfilters.com) ®

**Partial Listing - Complete List of Vehicles and Applications at [knfilters.com](http://knfilters.com)**

# CHEVROLET

# AIR & OIL FILTERS

Vehicle	Engine Type	Air Filter	Oil Filter	Vehicle	Engine Type	Air Filter	Oil Filter
<b>1975 CHEVROLET</b>				<b>1974 CHEVROLET</b>			
K10	400 V8 CARB	E-1500	HP-3002	C10 Pickup	350 V8 4 BBL. - w/o 2qt. spin on	E-1500	HP-3002
K10 Suburban	250 L6 CARB		HP-2002	C10 Pickup	454 V8 CARB	E-1500	
K10 Suburban	350 V8 2 BBL.	E-1450		C10 Pickup	454 V8 CARB - 2qt. spin on	E-1500	HP-6002
K10 Suburban	350 V8 2 BBL. - 2qt. spin on	E-1450	HP-6002	C10 Pickup	454 V8 CARB - w/o 2qt. spin on	E-1500	HP-3002
K10 Suburban	350 V8 2 BBL. - w/o 2qt. spin on	E-1450	HP-3002	C10 Suburban	454 V8 CARB - w/o 2qt. spin on		HP-3002
K10 Suburban	350 V8 4 BBL.	E-1500		C20 Pickup	350 V8 2 BBL. - w/o 2qt. spin on		HP-3002
K10 Suburban	350 V8 4 BBL. - 2qt. spin on	E-1500	HP-6002	C20 Pickup	350 V8 4 BBL.	E-1500	
K10 Suburban	350 V8 4 BBL. - w/o 2qt. spin on	E-1500	HP-3002	C20 Pickup	350 V8 4 BBL. - w/o 2qt. spin on	E-1500	HP-3002
K10 Suburban	400 V8 CARB	E-1500	HP-3002	C20 Pickup	454 V8 CARB	E-1500	
K20	350 V8 2 BBL.	E-1450		C20 Pickup	454 V8 CARB - w/o 2qt. spin on	E-1500	HP-3002
K20	350 V8 2 BBL. - 2qt. spin on	E-1450	HP-6002	C20 Suburban	454 V8 CARB - w/o 2qt. spin on		HP-3002
K20	350 V8 2 BBL. - w/o 2qt. spin on	E-1450	HP-3002	C30 Pickup	454 V8 CARB - w/o 2qt. spin on		HP-3002
K20	350 V8 4 BBL.	E-1500		Camaro	250 L6 CARB	E-1070	HP-2002
K20	350 V8 4 BBL. - 2qt. spin on	E-1500	HP-6002	Camaro	350 V8 CARB		HP-2002
K20	350 V8 4 BBL. - w/o 2qt. spin on	E-1500	HP-3002	Camaro	350 V8 CARB - exc. Z28	E-1450	HP-2002
K20	400 V8 CARB	E-1500	HP-3002	Camaro	350 V8 CARB - Z28	E-1650	HP-2002
K20 Suburban	292 L6 CARB	E-1120	HP-2002	Caprice	350 V8 CARB	E-1500	HP-2002
K20 Suburban	350 V8 2 BBL.	E-1450		Caprice	400 V8 CARB	E-1500	HP-2002
K20 Suburban	350 V8 2 BBL. - w/o 2qt. spin on	E-1450	HP-3002	Caprice	454 V8 CARB	E-1500	HP-2002
K20 Suburban	350 V8 4 BBL.	E-1500		Corvette	350 V8 CARB	E-1500	HP-2002
K20 Suburban	350 V8 4 BBL. - w/o 2qt. spin on	E-1500	HP-3002	Corvette	454 V8 CARB	E-1500	HP-2002
K20 Suburban	400 V8 CARB	E-1500	HP-3002	El Camino	350 V8 CARB	E-1500	HP-3002
Malibu	350 V8 2 BBL.	E-1500	HP-2002	Impala	350 V8 CARB	E-1500	HP-2002
Malibu	350 V8 4 BBL.	E-1500	HP-2002	Impala	400 V8 CARB	E-1500	HP-2002
Malibu	454 V8 CARB	E-1500	HP-2002	K10 Pickup	350 V8 2 BBL.	E-1450	
Monte Carlo	350 V8 CARB	E-1500	HP-2002	K10 Pickup	350 V8 2 BBL. - 2qt. spin on	E-1450	HP-6002
Monte Carlo	400 V8 CARB	E-1500	HP-2002	K10 Pickup	350 V8 2 BBL. - w/o 2qt. spin on	E-1450	HP-3002
Monte Carlo	454 V8 CARB	E-1500	HP-2002	K10 Pickup	350 V8 4 BBL.	E-1500	
Monza	140 L4 CARB		HP-2002	K10 Pickup	350 V8 4 BBL. - 2qt. spin on	E-1500	HP-6002
Monza	262 V8 CARB	E-1450	HP-2002	K10 Pickup	350 V8 4 BBL. - w/o 2qt. spin on	E-1500	HP-3002
Monza	350 V8 CARB		HP-2002	K10 Pickup	454 V8 CARB - 3-7/16 in tall filter	E-1500	
Nova	250 L6 CARB	E-1070	HP-2002	K10 Pickup	454 V8 CARB - w/o 2qt. spin on		HP-3002
Nova	262 V8 CARB	E-1450	HP-2002	K10 Suburban	350 V8 2 BBL. - w/o 2qt. spin on		HP-3002
Nova	350 V8 2 BBL.	E-1450	HP-2002	K10 Suburban	350 V8 4 BBL.	E-1500	
Nova	350 V8 4 BBL.	E-1500	HP-2002	K10 Suburban	350 V8 4 BBL. - w/o 2qt. spin on	E-1500	HP-3002
P30	350 V8 2 BBL. - w/o 2qt. spin on		HP-3002	K20 Pickup	350 V8 2 BBL.	E-1450	
P30	350 V8 4 BBL. - w/o 2qt. spin on		HP-3002	K20 Pickup	350 V8 2 BBL. - w/o 2qt. spin on	E-1450	HP-3002
P30	454 V8 CARB - w/o 2qt. spin on		HP-3002	K20 Pickup	350 V8 4 BBL.	E-1500	
Vega	122 L4 F/I		HP-2002	K20 Pickup	350 V8 2 BBL. - 2qt. spin on	E-1450	HP-6002
Vega	140 L4 CARB		HP-2002	K20 Pickup	350 V8 2 BBL. - w/o 2qt. spin on	E-1450	HP-3002
<b>1974 CHEVROLET</b>				K20 Pickup	350 V8 4 BBL.	E-1500	
Blazer	350 V8 2 BBL.	E-1450		K20 Pickup	350 V8 4 BBL. - 2qt. spin on	E-1500	HP-6002
Blazer	350 V8 2 BBL. - w/o 2qt. spin on	E-1450	HP-3002	K20 Pickup	350 V8 4 BBL. - w/o 2qt. spin on	E-1500	HP-3002
Blazer	350 V8 4 BBL.	E-1150		K20 Pickup	454 V8 CARB - w/o 2qt. spin on		HP-3002
Blazer	350 V8 4 BBL. - w/o 2qt. spin on	E-1150	HP-3002	K20 Pickup	454 V8 CARB - w/o 2qt. spin on		HP-3002
C10 Pickup	250 L6 CARB		HP-2002	K30 Pickup	350 V8 2 BBL. - w/o 2qt. spin on		HP-3002
C10 Pickup	292 L6 CARB	E-1120	HP-2002	K30 Pickup	350 V8 4 BBL. - w/o 2qt. spin on		HP-3002
C10 Pickup	350 V8 2 BBL.	E-1450		K30 Pickup	454 V8 CARB - 3-7/16 in tall filter	E-1500	
C10 Pickup	350 V8 2 BBL. - 2qt. spin on	E-1450	HP-6002	K30 Pickup	454 V8 CARB - w/o 2qt. spin on		HP-3002
C10 Pickup	350 V8 2 BBL. - w/o 2qt. spin on	E-1450	HP-3002	Malibu	350 V8 CARB	E-1500	HP-2002
C10 Pickup	350 V8 4 BBL.	E-1500		Monte Carlo	350 V8 CARB	E-1500	HP-2002
C10 Pickup	350 V8 4 BBL. - 2qt. spin on	E-1500	HP-6002				

\*Indicates 2 filters required

◆ - Intake kit available

Applications updated daily at [knfilters.com](http://knfilters.com) ®



# AIR & OIL FILTERS

# CHEVROLET

Vehicle	Engine Type	Air Filter	Oil Filter
<b>1974 CHEVROLET</b>			
Monte Carlo	400 V8 CARB	E-1500	HP-2002
Monte Carlo	454 V8 CARB	E-1500	HP-2002
Nova	250 L6 CARB	E-1070	HP-2002
Nova	350 V8 CARB	E-1450	HP-2002
Vega	140 L4 CARB		HP-2002
<b>1973 CHEVROLET</b>			
Blazer	292 L6 CARB		HP-2002
Blazer	307 V8 CARB	E-1150	HP-3002
Blazer	350 V8 CARB	E-1450	HP-3002
Blazer	454 V8 CARB		HP-3002
C10 Pickup	307 V8 CARB	E-1150	HP-3002
C10 Pickup	350 V8 CARB	E-1500	HP-3002
C10 Pickup	454 V8 CARB	E-1500	HP-3002
C10 Suburban	350 V8 CARB	E-1500	HP-3002
C20 Pickup	350 V8 CARB	E-1500	HP-3002
C20 Pickup	454 V8 CARB	E-1500	HP-3002
C30 Pickup	350 V8 CARB	E-1500	HP-3002
Camaro	250 L6 CARB	E-1070	HP-2002
Camaro	307 V8 CARB	E-1070	HP-2002
Camaro	350 V8 CARB		HP-2002
Camaro	350 V8 CARB - exc. Z28	E-1450	HP-2002
Camaro	350 V8 CARB - Z28	E-1650	HP-2002
Caprice	350 V8 CARB	E-1500	HP-2002
Caprice	400 V8 CARB	E-1500	HP-2002
Caprice	454 V8 CARB	E-1500	HP-2002
Chevelle	350 V8 CARB	E-1500	HP-2002
Chevelle	454 V8 CARB	E-1500	HP-2002
Corvette	350 V8 CARB		HP-2002
Corvette	350 V8 CARB - exc. Hi Perf.	E-1450	HP-2002
Corvette	350 V8 CARB - Hi Perf.	E-1650	HP-2002
Corvette	454 V8 CARB	E-1450	HP-2002
El Camino	350 V8 CARB	E-1500	HP-3002
El Camino	454 V8 CARB	E-1500	HP-3002
G10 Van	350 V8 CARB - w/o 2qt. spin on		HP-3002
G30 Van	350 V8 CARB - w/o 2qt. spin on		HP-3002
Impala	350 V8 CARB	E-1500	HP-2002
K10 Pickup	350 V8 CARB	E-1500	HP-3002
K10 Suburban	350 V8 CARB	E-1450	HP-3002
K20 Pickup	350 V8 CARB	E-1500	HP-3002
K20 Pickup	454 V8 CARB	E-1500	HP-3002
K20 Suburban	454 V8 CARB	E-1500	HP-3002
K30 Pickup	454 V8 CARB	E-1500	HP-3002
Malibu	350 V8 CARB	E-1500	HP-2002
Monte Carlo	350 V8 CARB	E-1500	HP-2002
Monte Carlo	400 V8 CARB	E-1500	HP-2002
Monte Carlo	454 V8 CARB	E-1500	HP-2002
Nova	250 L6 CARB	E-1070	HP-2002
Nova	307 V8 CARB		HP-2002
Nova	350 V8 CARB	E-1450	HP-2002
Vega	140 L4 CARB		HP-2002

<b>1972 CHEVROLET</b>			
Bel Air	350 V8 CARB	E-1500	HP-2002
Blazer	307 V8 CARB	E-1450	HP-3002
Blazer	350 V8 CARB	E-1450	HP-3002
C10 Pickup	250 L6 CARB		HP-2002
C10 Pickup	250 L6 CARB - w/o pwr. brakes	E-1070	HP-2002
C10 Pickup	250 L6 CARB - w/pwr. brakes	E-1120	HP-2002
C10 Pickup	307 V8 CARB	E-1150	HP-3002
C10 Pickup	350 V8 CARB - VIN H	E-1450	HP-3002

Vehicle	Engine Type	Air Filter	Oil Filter
<b>1972 CHEVROLET</b>			
C10 Pickup	350 V8 CARB - VIN J	E-1500	HP-3002
C10 Pickup	402 V8 CARB	E-1450	HP-3002
C10 Suburban	350 V8 CARB	E-1450	HP-3002
C10 Suburban	402 V8 CARB	E-1450	HP-3002
C20 Pickup	307 V8 CARB	E-1150	HP-3002
C20 Pickup	350 V8 CARB	E-1500	HP-3002
C20 Pickup	402 V8 CARB	E-1450	HP-3002
C30 Pickup	350 V8 CARB	E-1500	HP-3002
Camaro	307 V8 CARB	E-1070	HP-2002
Camaro	350 V8 CARB	E-1450	HP-2002
Camaro	402 V8 CARB	E-1450	HP-2002
Camaro Z28	350 V8 CARB	E-1650	HP-2002
Caprice	400 V8 CARB	E-1500	HP-2002
Caprice	402 V8 CARB	E-1500	HP-2002
Caprice	454 V8 CARB	E-1500	HP-2002
Chevelle	250 L6 CARB	E-1070	HP-2002
Chevelle	307 V8 CARB	E-1500	HP-2002
Chevelle	350 V8 CARB	E-1500	HP-2002
Chevelle	402 V8 CARB		HP-2002
Chevelle	402 V8 CARB - w/ A/C	E-1450	HP-2002
Chevelle	402 V8 CARB - w/o A/C	E-1500	HP-2002
Chevelle	454 V8 CARB		HP-2002
Chevelle	454 V8 CARB - w/hood scoop	E-1650	HP-2002
Chevelle	454 V8 CARB - w/o hood scoop	E-1450	HP-2002
Corvette	350 V8 CARB		HP-2002
Corvette	350 V8 CARB - w/ Rochester Carb.	E-1450	HP-2002
Corvette	350 V8 CARB - w/Holley Carb.	E-1650	HP-2002
Corvette	454 V8 CARB	E-1450	HP-2002
El Camino	307 V8 CARB	E-1500	HP-2002
El Camino	350 V8 CARB	E-1500	HP-3002
El Camino	402 V8 CARB	E-1450	HP-3002
El Camino	454 V8 CARB	E-1450	HP-3002
Impala	350 V8 CARB	E-1500	HP-2002
Impala	400 V8 CARB	E-1500	HP-2002
K10 Pickup	250 L6 CARB		HP-2002
K10 Pickup	292 L6 CARB	E-1150	HP-2002
K10 Pickup	307 V8 CARB	E-1450	HP-3002
K10 Pickup	350 V8 CARB	E-1500	HP-3002
K10 Suburban	350 V8 CARB	E-1450	HP-3002
K20 Pickup	350 V8 CARB	E-1500	HP-3002
Monte Carlo	350 V8 CARB	E-1500	HP-2002
Monte Carlo	400 V8 CARB	E-1500	HP-2002
Monte Carlo	402 V8 CARB	E-1450	HP-2002
Monte Carlo	454 V8 CARB		HP-2002
Monte Carlo	454 V8 CARB - w/hood scoop	E-1650	HP-2002
Monte Carlo	454 V8 CARB - w/o hood scoop	E-1500	HP-2002
Nova	250 L6 CARB	E-1070	HP-2002
Nova	307 V8 CARB	E-1450	HP-2002
Nova	350 V8 CARB	E-1450	HP-2002
Vega	140 L4 CARB	E-1070	HP-2002
<b>1971 CHEVROLET</b>			
Blazer	350 V8 CARB	E-1450	HP-3002
C10 Pickup	250 L6 CARB	E-1070	HP-2002
C10 Pickup	292 L6 CARB	E-1120	HP-2002
C10 Pickup	307 V8 CARB	E-1150	HP-3002
C10 Pickup	350 V8 CARB	E-1450	HP-3002
C10 Pickup	402 V8 CARB	E-1450	HP-3002
C10 Suburban	350 V8 CARB	E-1450	HP-3002
C10 Suburban	402 V8 CARB	E-1450	HP-3002

\*Indicates 2 filters required

◆ - Intake kit available

Applications updated daily at [knfilters.com](http://knfilters.com) ®

**Partial Listing - Complete List of Vehicles and Applications at [knfilters.com](http://knfilters.com)**

# CHEVROLET

# AIR & OIL FILTERS

Vehicle	Engine Type	Air Filter	Oil Filter	Vehicle	Engine Type	Air Filter	Oil Filter
<b>1971 CHEVROLET</b>				<b>1970 CHEVROLET</b>			
C20 Pickup	350 V8 CARB	E-1450	HP-3002	Camaro	402 V8 CARB	E-1650	HP-2002
C20 Pickup	402 V8 CARB	E-1450	HP-3002	Caprice	350 V8 CARB	E-1500	HP-2002
C30 Pickup	350 V8 CARB	E-1450	HP-3002	Caprice	400 V8 CARB	E-1500	HP-2002
C30 Pickup	402 V8 CARB	E-1450	HP-3002	Caprice	454 V8 CARB	E-1500	HP-2002
Camaro	250 L6 CARB	E-1070	HP-2002	Chevelle	250 L6 CARB	E-1070	HP-2002
Camaro	307 V8 CARB	E-1070	HP-2002	Chevelle	307 V8 CARB	E-1070	HP-2002
Camaro	350 V8 CARB		HP-2002	Chevelle	350 V8 CARB	E-1500	HP-2002
Camaro	350 V8 CARB - exc. Z28	E-1450	HP-2002	Chevelle	396 V8 CARB	E-1650	HP-2002
Camaro	350 V8 CARB - Z28	E-1650	HP-2002	Chevelle	400 V8 CARB	E-1500	HP-2002
Camaro	402 V8 CARB	E-1450	HP-2002	Chevelle	402 V8 CARB	E-1650	
Chevelle	250 L6 CARB	E-1070	HP-2002	Chevelle	454 V8 CARB	E-1650	HP-2002
Chevelle	307 V8 CARB	E-1070	HP-2002	Corvette	350 V8 CARB		HP-2002
Chevelle	350 V8 CARB	E-1500	HP-2002	Corvette	350 V8 CARB - High Output	E-1650	HP-2002
Chevelle	400 V8 CARB	E-1500	HP-2002	Corvette	350 V8 CARB - w/o High Output	E-1450	HP-2002
Chevelle	454 V8 CARB		HP-2002	Corvette	454 V8 CARB	E-1650	HP-2002
Chevelle	454 V8 CARB - exc. SS w/o air cond.	E-1650	HP-2002	El Camino	250 L6 CARB	E-1070	HP-2002
Chevelle	454 V8 CARB - SS w/o air cond.	E-1450	HP-2002	El Camino	307 V8 CARB		HP-2002
Corvette	350 V8 CARB		HP-2002	El Camino	307 V8 CARB - exc. 300 models	E-1500	HP-2002
Corvette	350 V8 CARB - w/ Rochester Carb.	E-1450	HP-2002	El Camino	350 V8 CARB	E-1500	HP-3002
Corvette	350 V8 CARB - w/Holley Carb.	E-1650	HP-2002	El Camino	396 V8 CARB	E-1450	HP-3002
Corvette	454 V8 CARB		HP-2002	El Camino	400 V8 CARB	E-1500	HP-3002
Corvette	454 V8 CARB - w/ Rochester Carb.	E-1450	HP-2002	El Camino	454 V8 CARB	E-1650	HP-3002
Corvette	454 V8 CARB - w/Holley Carb.	E-1650	HP-2002	Impala	250 L6 CARB	E-1070	HP-2002
El Camino	350 V8 CARB	E-1500	HP-3002	Impala	350 V8 CARB	E-1500	HP-2002
El Camino	402 V8 CARB	E-1500	HP-3002	Impala	400 V8 CARB	E-1500	HP-2002
El Camino	454 V8 CARB		HP-3002	Impala	454 V8 CARB	E-1500	HP-2002
El Camino	454 V8 CARB - Hi Perf.	E-1650	HP-3002	Impala	400 V8 CARB	E-1500	HP-2002
Impala	350 V8 CARB	E-1500	HP-2002	Impala	250 L6 CARB	E-1070	HP-2002
Impala	400 V8 CARB	E-1500	HP-2002	Impala	350 V8 CARB	E-1500	HP-2002
Impala	402 V8 CARB	E-1500	HP-2002	Impala	400 V8 CARB	E-1500	HP-2002
Impala	454 V8 CARB	E-1500	HP-2002	Impala	454 V8 CARB	E-1500	HP-2002
K10 Pickup	350 V8 CARB	E-1450	HP-3002	Impala	400 V8 CARB	E-1500	HP-2002
K20 Pickup	350 V8 CARB	E-1450	HP-3002	K10 Pickup	350 V8 CARB	E-1450	HP-3002
Monte Carlo	350 V8 CARB	E-1500	HP-2002	K10 Suburban	402 V8 CARB	E-1450	HP-3002
Monte Carlo	400 V8 CARB	E-1500	HP-2002	K20 Pickup	350 V8 CARB	E-1450	HP-3002
Monte Carlo	402 V8 CARB	E-1500	HP-2002	K30 Pickup	402 V8 CARB	E-1450	HP-3002
Monte Carlo	454 V8 CARB	E-1500	HP-2002	Monte Carlo	350 V8 CARB	E-1500	HP-2002
Nova	307 V8 CARB	E-1070	HP-2002	Monte Carlo	400 V8 CARB	E-1500	HP-2002
Nova	350 V8 CARB	E-1450	HP-2002	Monte Carlo	402 V8 CARB	E-1500	HP-2002
				Monte Carlo	454 V8 CARB	E-1500	HP-2002
				Nova	250 L6 CARB	E-1070	HP-1011
				Nova	307 V8 CARB	E-1070	HP-1011
				Nova	350 V8 CARB	E-1450	HP-1011
				Nova	396 V8 CARB	E-1650	HP-1011
				Nova	402 V8 CARB	E-1650	HP-1011
<b>1970 CHEVROLET</b>				<b>1969 CHEVROLET</b>			
Bel Air	350 V8 CARB	E-1500	HP-2002	Bel Air	350 V8 CARB	E-1500	HP-2002
Biscayne	350 V8 CARB	E-1500	HP-2002	Bel Air	427 V8 CARB	E-1650	HP-2002
Blazer	350 V8 CARB	E-1450	HP-3002	Biscayne	427 V8 CARB	E-1650	HP-2002
C10 Pickup	250 L6 CARB	E-1070	HP-2002	Blazer	350 V8 CARB	E-1450	HP-2002
C10 Pickup	292 L6 CARB	E-1150	HP-2002	C10 Pickup	250 L6 CARB	E-1070	HP-2002
C10 Pickup	307 V8 CARB	E-1150	HP-3002	C10 Pickup	292 L6 CARB	E-1150	HP-2002
C10 Pickup	350 V8 CARB	E-1450	HP-3002	C10 Pickup	307 V8 CARB	E-1150	HP-3002
C10 Pickup	402 V8 CARB	E-1450	HP-3002	C10 Pickup	350 V8 CARB	E-1450	HP-2002
C10 Suburban	350 V8 CARB	E-1450	HP-3002	C10 Pickup	396 V8 CARB		HP-2002
C20 Pickup	307 V8 CARB	E-1150	HP-3002	C10 Pickup	396 V8 CARB - Hi Perf.	E-1650	HP-2002
C20 Pickup	350 V8 CARB	E-1450	HP-3002	C10 Suburban	396 V8 CARB - Hi Perf.	E-1650	
C20 Pickup	402 V8 CARB	E-1450	HP-3002	C20 Pickup	350 V8 CARB	E-1450	
C20 Suburban	350 V8 CARB	E-1450	HP-3002	C20 Pickup	396 V8 CARB		HP-2002
C30 Pickup	350 V8 CARB	E-1450	HP-3002	C20 Pickup	396 V8 CARB - Hi Perf.	E-1650	HP-2002
C30 Pickup	402 V8 CARB	E-1450	HP-3002	C30 Pickup	396 V8 CARB		HP-2002
Camaro	250 L6 CARB	E-1070	HP-2002	C30 Pickup	396 V8 CARB - Hi Perf.	E-1650	HP-2002
Camaro	307 V8 CARB	E-1070	HP-2002	Camaro	230 L6 CARB	E-1070	HP-2002
Camaro	350 V8 CARB	E-1450	HP-2002	Camaro	250 L6 CARB	E-1070	HP-2002
Camaro	396 V8 CARB	E-1650	HP-2002	Camaro	302 V8 CARB	E-1650	HP-2002
				Camaro	307 V8 CARB	E-1070	HP-2002
				Camaro	327 V8 CARB	E-1070	HP-2002
				Camaro	350 V8 2 BBL.	E-1450	HP-2002

\*Indicates 2 filters required

◆ - Intake kit available

Applications updated daily at [knfilters.com](http://knfilters.com) ®

# AIR & OIL FILTERS

# CHEVROLET

Vehicle	Engine Type	Air Filter	Oil Filter
<b>1969 CHEVROLET</b>			
Camaro	350 V8 4 BBL.	E-1500	HP-2002
Camaro	396 V8 CARB	E-1650	HP-2002
Camaro	427 V8 CARB	E-1650	
Caprice	350 V8 CARB	E-1500	HP-2002
Caprice	427 V8 CARB		HP-2002
Caprice	427 V8 CARB - Hi Perf.	E-1650	HP-2002
Chevelle	230 L6 CARB	E-1070	HP-2002
Chevelle	250 L6 CARB	E-1070	HP-2002
Chevelle	307 V8 CARB	E-1070	HP-2002
Chevelle	350 V8 CARB	E-1500	HP-2002
Chevelle	396 V8 CARB	E-1450	HP-2002
Chevelle Malibu	307 V8 CARB	E-1500	HP-2002
Corvair	2.7L H6 CARB	E-1150	
Corvette	350 V8 CARB	E-1650	HP-2002
Corvette	427 V8 3x2BBL.	E-1970	HP-2002
Corvette	427 V8 4 BBL.	E-1650	HP-2002
El Camino	230 L6 CARB	E-1070	HP-2002
El Camino	307 V8 CARB	E-1070	HP-2002
El Camino	350 V8 CARB	E-1500	HP-2002
El Camino	396 V8 CARB	E-1450	HP-2002
Impala	327 V8 CARB	E-1500	HP-2002
Impala	350 V8 CARB	E-1500	HP-2002
Impala	396 V8 CARB	E-1500	HP-2002
Impala	427 V8 CARB	E-1650	HP-2002
K10 Pickup	396 V8 CARB		HP-2002
K10 Pickup	396 V8 CARB - Hi Perf.	E-1650	HP-2002
K10 Suburban	396 V8 CARB		HP-2002
K10 Suburban	396 V8 CARB - Hi Perf.	E-1650	HP-2002
K20 Pickup	396 V8 CARB - Hi Perf.	E-1650	
K30 Pickup	396 V8 CARB - Hi Perf.	E-1650	
Nova	153 L4 CARB	E-1070	HP-2002
Nova	230 L6 CARB	E-1070	HP-2002
Nova	250 L6 CARB	E-1070	HP-2002
Nova	307 V8 CARB	E-1070	HP-2002
Nova	350 V8 CARB		HP-2002
Nova	350 V8 CARB - exc. Hi Perf.	E-1500	HP-2002
Nova	350 V8 CARB - Hi Perf.	E-1650	HP-2002
Nova	396 V8 CARB		HP-2002
Nova	396 V8 CARB - exc. Hi Perf.	E-1450	HP-2002
Nova	396 V8 CARB - Hi Perf.	E-1650	HP-2002

<b>1968 CHEVROLET</b>			
Bel Air	250 L6 CARB		HP-2002
Bel Air	327 V8 CARB	E-1500	HP-2002
Biscayne	427 V8 CARB	E-1650	HP-2002
C10 Pickup	250 L6 CARB	E-1070	HP-2002
C10 Pickup	292 L6 CARB	E-1150	HP-3002
C10 Pickup	307 V8 CARB	E-1150	
C10 Pickup	307 V8 CARB - exc. cart. type	E-1150	HP-3002
C10 Pickup	327 V8 CARB	E-1450	
C10 Pickup	396 V8 CARB		HP-2002
C10 Pickup	396 V8 CARB - exc. Hi Perf.	E-1450	HP-2002
C10 Pickup	396 V8 CARB - Hi Perf.	E-1650	HP-2002
C20 Pickup	396 V8 CARB - Hi Perf.	E-1650	
C20 Suburban	396 V8 CARB - Hi Perf.	E-1650	
C30 Pickup	396 V8 CARB - Hi Perf.	E-1650	
Camaro	230 L6 CARB	E-1070	HP-2002
Camaro	250 L6 CARB	E-1070	HP-2002
Camaro	302 V8 CARB	E-1650	HP-2002
Camaro	327 V8 2 BBL.	E-1070	HP-2002
Camaro	327 V8 4 BBL.		HP-2002

Vehicle	Engine Type	Air Filter	Oil Filter
<b>1968 CHEVROLET</b>			
Camaro	327 V8 4 BBL. - exc. Hi Perf.	E-1500	HP-2002
Camaro	327 V8 4 BBL. - Hi Perf.	E-1650	HP-2002
Camaro	350 V8 CARB	E-1500	HP-2002
Camaro	396 V8 CARB	E-1650	HP-2002
Caprice	250 L6 CARB		HP-2002
Caprice	327 V8 CARB	E-1500	HP-2002
Caprice	396 V8 CARB	E-1450	HP-2002
Chevelle	230 L6 CARB	E-1070	HP-2002
Chevelle	250 L6 CARB	E-1070	HP-2002
Chevelle	307 V8 CARB	E-1070	HP-2002
Chevelle	327 V8 CARB		HP-2002
Chevelle	327 V8 CARB - exc. Hi Perf.	E-1500	HP-2002
Chevelle	327 V8 CARB - Hi Perf.	E-1650	HP-2002
Chevelle	396 V8 CARB		HP-2002
Chevelle	396 V8 CARB - exc. Hi Perf.	E-1450	HP-2002
Chevelle	396 V8 CARB - Hi Perf.	E-1650	HP-2002
Chevelle Malibu	307 V8 CARB	E-1500	HP-2002
Chevy II	153 L4 CARB	E-1070	HP-2002
Chevy II	230 L6 CARB	E-1070	HP-2002
Chevy II	250 L6 CARB	E-1070	HP-2002
Chevy II	307 V8 CARB	E-1070	HP-2002
Chevy II	327 V8 CARB		HP-2002
Chevy II	327 V8 CARB - exc. Hi Perf.	E-1500	HP-2002
Chevy II	327 V8 CARB - Hi Perf.	E-1650	HP-2002
Chevy II	350 V8 CARB		HP-2002
Chevy II	350 V8 CARB - exc. Hi Perf.	E-1500	HP-2002
Chevy II	350 V8 CARB - Hi Perf.	E-1650	HP-2002
Chevy II	396 V8 CARB		HP-2002
Chevy II	396 V8 CARB - Hi Perf.	E-1650	HP-2002
Corvette	327 V8 CARB	E-1650	HP-2002
Corvette	427 V8 3x2BBL.	E-1970	HP-2002
Corvette	427 V8 4 BBL.	E-1650	HP-2002
El Camino	307 V8 CARB - exc. cart. type		HP-2002
El Camino	327 V8 CARB	E-1500	HP-2002
El Camino	396 V8 CARB	E-1450	HP-2002
Impala	250 L6 CARB	E-1070	HP-2002
Impala	307 V8 CARB	E-1500	HP-2002
Impala	327 V8 CARB	E-1500	HP-2002
Impala	396 V8 CARB	E-1450	HP-2002
Impala	427 V8 CARB	E-1650	HP-2002
K10 Pickup	396 V8 CARB - Hi Perf.	E-1650	

<b>1967 CHEVROLET</b>			
Bel Air	250 L6 CARB	E-1070	HP-2002
Bel Air	283 V8 CARB - exc. cart. type		HP-2002
Bel Air	327 V8 CARB	E-1650	
Bel Air	396 V8 CARB	E-1650	
C10 Panel	250 L6 CARB	E-1070	HP-2002
C10 Pickup	250 L6 CARB		HP-2002
C10 Pickup	250 L6 CARB - w/heavy duty filter	E-1150	HP-2002
C10 Pickup	283 V8 CARB	E-1150	
C10 Pickup	292 L6 CARB	E-1150	HP-3002
C10 Pickup	327 V8 CARB	E-1230	
C20 Panel	250 L6 CARB	E-1070	HP-2002
Camaro	230 L6 CARB	E-1070	HP-2002
Camaro	250 L6 CARB	E-1070	HP-2002
Camaro	302 V8 CARB	E-1650	HP-2002
Camaro	327 V8 2 BBL.	E-1070	
Camaro	327 V8 2 BBL. - exc. cart. type	E-1070	HP-2002

\*Indicates 2 filters required      ♦ - Intake kit available      Applications updated daily at [knfilters.com](http://knfilters.com) ®

**Partial Listing - Complete List of Vehicles and Applications at [knfilters.com](http://knfilters.com)**

# CHEVROLET

# AIR & OIL FILTERS

Vehicle	Engine Type	Air Filter	Oil Filter	Vehicle	Engine Type	Air Filter	Oil Filter
<b>1967 CHEVROLET</b>				<b>1966 CHEVROLET</b>			
Camaro	327 V8 4 BBL.	E-1650		C10 Pickup	327 V8 CARB	E-1230	
Camaro	327 V8 4 BBL. - exc. cart. type	E-1650	HP-2002	Caprice	327 V8 CARB	E-1650	
Camaro	350 V8 CARB	E-1650		Caprice	327 V8 CARB - exc. cart. type	E-1650	HP-2002
Camaro	350 V8 CARB - exc. cart. type	E-1650	HP-2002	Chevelle	230 L6 CARB	E-1070	HP-2002
Camaro	396 V8 CARB	E-1650		Chevelle	283 V8 CARB - exc. cart. type		HP-2002
Camaro	396 V8 CARB - exc. cart. type	E-1650	HP-2002	Chevelle	327 V8 CARB	E-1650	
Caprice	327 V8 CARB	E-1650		Chevelle	327 V8 CARB - exc. cart. type	E-1650	HP-2002
Caprice	327 V8 CARB - exc. cart. type	E-1650	HP-2002	Chevelle	396 V8 CARB	E-1650	
Caprice	396 V8 CARB	E-1650		Chevelle	396 V8 CARB - exc. cart. type	E-1650	HP-2002
Caprice	396 V8 CARB - exc. cart. type	E-1650	HP-2002	Chevy II	283 V8 CARB - exc. cart. type		HP-2002
Chevelle	230 L6 CARB	E-1070	HP-2002	Chevy II	327 V8 CARB	E-1650	HP-2002
Chevelle	283 V8 CARB	E-1230		Corvair	164 H6 CARB - exc. Turbo	E-1150	
Chevelle	283 V8 CARB - exc. cart. type	E-1230	HP-2002	Corvette	327 V8 CARB	E-1650	
Chevelle	327 V8 CARB	E-1650		Corvette	327 V8 CARB - exc. cart. type	E-1650	HP-2002
Chevelle	327 V8 CARB - exc. cart. type	E-1650	HP-2002	Corvette	427 V8 CARB	E-1650	
Chevelle	396 V8 CARB	E-1650		Corvette	427 V8 CARB - exc. cart. type	E-1650	HP-2002
Chevelle	396 V8 CARB - exc. cart. type	E-1650	HP-2002	El Camino	327 V8 CARB	E-1650	
Chevy II	327 V8 CARB	E-1230		El Camino	396 V8 CARB	E-1650	
Chevy II	327 V8 CARB - exc. cart. type	E-1230	HP-2002	Impala	283 V8 CARB	E-1230	
Corvair	164 H6 CARB	E-1150		Impala	283 V8 CARB - exc. cart. type	E-1230	HP-2002
Corvette	327 V8 CARB	E-1650		Impala	327 V8 CARB	E-1650	
Corvette	327 V8 CARB - exc. cart. type	E-1650	HP-2002	Impala	327 V8 CARB - exc. cart. type	E-1650	HP-2002
Corvette	427 V8 3x2BBL.	E-1970		Impala	396 V8 CARB	E-1650	
Corvette	427 V8 3x2BBL. - exc. cart. type	E-1970	HP-2002	Impala	396 V8 CARB - exc. cart. type	E-1650	HP-2002
Corvette	427 V8 4 BBL.	E-1650		Impala	427 V8 CARB	E-1650	
Corvette	427 V8 4 BBL. - exc. cart. type	E-1650	HP-2002	Impala	427 V8 CARB - exc. cart. type	E-1650	HP-2002
El Camino	250 L6 CARB	E-1120	HP-2002	Malibu	327 V8 CARB	E-1650	
El Camino	327 V8 CARB	E-1230	HP-2002	Malibu	396 V8 CARB	E-1650	
El Camino	396 V8 CARB	E-1650		Nova	230 L6 CARB	E-1070	HP-2002
Impala	250 L6 CARB	E-1070	HP-2002	Nova	283 V8 CARB - exc. cart. type		HP-2002
Impala	283 V8 CARB - exc. cart. type		HP-2002	Nova	327 V8 CARB	E-1230	HP-2002
Impala	327 V8 CARB	E-1650		<b>1965 CHEVROLET</b>			
Impala	327 V8 CARB - exc. cart. type	E-1650	HP-2002	C10 Pickup	230 L6 CARB		HP-2002
Impala	396 V8 CARB	E-1650		C10 Pickup	292 L6 CARB	E-1150	HP-3002
Impala	396 V8 CARB - exc. cart. type	E-1650	HP-2002	C10 Pickup	327 V8 CARB	E-1230	
Impala	427 V8 CARB	E-1650		Chevelle	283 V8 CARB - exc. cart. type		HP-2002
Impala	427 V8 CARB - exc. cart. type	E-1650	HP-2002	Chevelle	327 V8 CARB	E-1230	
Malibu	283 V8 CARB - exc. cart. type		HP-2002	Chevelle	327 V8 CARB - exc. cart. type	E-1230	HP-2002
Malibu	327 V8 CARB - exc. cart. type		HP-2002	Chevelle	396 V8 CARB	E-1650	
Malibu	396 V8 CARB	E-1650		Chevelle	396 V8 CARB - exc. cart. type	E-1650	HP-2002
Malibu	396 V8 CARB - exc. cart. type	E-1650	HP-2002	Chevy II	283 V8 CARB	E-1230	HP-2002
Nova	194 L6 CARB	E-1070	HP-2002	Corvair	164 H6 CARB - w/ A/C	E-0900	
Nova	283 V8 CARB - exc. cart. type		HP-2002	Corvair	164 H6 CARB - w/o A/C	E-1150	
Nova	327 V8 CARB	E-1230	HP-2002	Corvette	327 V8 CARB	E-1515	
<b>1966 CHEVROLET</b>				Corvette	327 V8 CARB - exc. cart. type	E-1515	HP-2002
C10 Panel	250 L6 CARB	E-1070	HP-2002	Corvette	327 V8 F/I - exc. cart. type		HP-2002
C10 Pickup	230 L6 CARB		HP-2002	Corvette	396 V8 CARB	E-1650	
C10 Pickup	250 L6 CARB		HP-2002	Corvette	396 V8 CARB - exc. cart. type	E-1650	HP-2002
C10 Pickup	250 L6 CARB - w/heavy duty filter	E-1150	HP-2002	El Camino	327 V8 CARB	E-1230	
C10 Pickup	250 L6 CARB - w/std. filter	E-1070	HP-2002	Impala	283 V8 CARB - exc. cart. type		HP-2002
C10 Pickup	292 L6 CARB	E-1150	HP-3002	Impala	327 V8 CARB	E-1650	

\*Indicates 2 filters required

◆ - Intake kit available

Applications updated daily at [knfilters.com](http://knfilters.com) ®

# AIR & OIL FILTERS

# CHEVROLET

Vehicle	Engine Type	Air Filter	Oil Filter
<b>1965 CHEVROLET</b>			
Impala	327 V8 CARB - exc. cart. type	E-1650	HP-2002
Impala	396 V8 CARB	E-1650	
Impala	396 V8 CARB - exc. cart. type	E-1650	HP-2002
Impala	409 V8 CARB - exc. cart. type		HP-2002
Malibu	283 V8 CARB - exc. cart. type		HP-2002
Malibu	327 V8 CARB - exc. cart. type		HP-2002

Vehicle	Engine Type	Air Filter	Oil Filter
<b>1964 CHEVROLET</b>			
Bel Air	230 L6 CARB	E-1070	HP-2002
Bel Air	283 V8 CARB - exc. cart. type		HP-2002
C10 Pickup	230 L6 CARB		HP-2002
C10 Pickup	292 L6 CARB - exc. Calif		HP-2002
C10 Pickup	327 V8 CARB	E-1230	
Chevelle	283 V8 CARB - exc. cart. type		HP-2002
Chevelle	327 V8 CARB	E-1230	
Chevelle	327 V8 CARB - exc. cart. type	E-1230	HP-2002
Chevy II	153 L4 CARB	E-1070	HP-2002
Chevy II	283 V8 CARB - exc. cart. type		HP-2002
Corvair	164 H6 CARB	E-0900	
Corvette	327 V8 CARB	E-1515	
Corvette	327 V8 CARB - exc. cart. type	E-1515	HP-2002
Corvette	327 V8 F/I - exc. cart. type		HP-2002
Impala	230 L6 CARB	E-1070	HP-2002
Impala	283 V8 CARB	E-1230	
Impala	283 V8 CARB - exc. cart. type	E-1230	HP-2002
Impala	327 V8 CARB	E-1230	
Impala	327 V8 CARB - exc. cart. type	E-1230	HP-2002
Impala	409 V8 CARB	E-1230	
Impala	409 V8 CARB - exc. cart. type	E-1230	HP-2002
Nova	283 V8 CARB - exc. cart. type		HP-2002

Vehicle	Engine Type	Air Filter	Oil Filter
<b>1963 CHEVROLET</b>			
Bel Air	283 V8 CARB - exc. cart. type		HP-2002
C10 Pickup	230 L6 CARB		HP-2002
C10 Pickup	292 L6 CARB	E-1520	HP-2002
Chevy II	194 L6 CARB	E-1070	HP-2002
Chevy II	283 V8 CARB - exc. cart. type		HP-2002
Corvair	145 H6 CARB	E-0900	
Corvette	327 V8 CARB	E-1515	
Corvette	327 V8 CARB - exc. cart. type	E-1515	HP-2002
Corvette	327 V8 F/I - exc. cart. type		HP-2002
Impala	283 V8 CARB - exc. cart. type		HP-2002
Impala	327 V8 CARB	E-1230	
Impala	327 V8 CARB - exc. cart. type	E-1230	HP-2002
Impala	409 V8 CARB	E-1230	
Impala	409 V8 CARB - exc. cart. type	E-1230	HP-2002
Nova	153 L4 CARB	E-1070	HP-2002
Nova	194 L6 CARB	E-1070	HP-2002
Nova	283 V8 CARB - exc. cart. type		HP-2002

Vehicle	Engine Type	Air Filter	Oil Filter
<b>1962 CHEVROLET</b>			
Bel Air	283 V8 CARB - exc. cart. type		HP-2002
Bel Air	327 V8 CARB - exc. cart. type		HP-2002
Bel Air	409 V8 CARB - exc. cart. type		HP-2002
Chevy II	194 L6 CARB	E-1070	HP-2002
Corvair	145 H6 CARB	E-0900	
Corvette	327 V8 CARB - exc. cart. type		HP-2002
Corvette	327 V8 F/I - exc. cart. type		HP-2002
Impala	283 V8 CARB - exc. cart. type		HP-2002
Impala	327 V8 CARB	E-1230	
Impala	327 V8 CARB - exc. cart. type	E-1230	HP-2002
Impala	409 V8 CARB	E-1230	
Impala	409 V8 CARB - exc. cart. type	E-1230	HP-2002

Vehicle	Engine Type	Air Filter	Oil Filter
<b>1961 CHEVROLET</b>			
Bel Air	283 V8 CARB - exc. cart. type		HP-2002
Bel Air	348 V8 CARB - exc. cart. type		HP-2002
Biscayne	283 V8 CARB - exc. cart. type		HP-2002
Corvair	145 H6 CARB	E-0900	
Corvette	283 V8 CARB - exc. cart. type		HP-2002
Corvette	283 V8 F/I	E-1935	
Corvette	283 V8 F/I - exc. cart. type	E-1935	HP-2002
Impala	283 V8 CARB	E-1230	
Impala	283 V8 CARB - exc. cart. type	E-1230	HP-2002
Impala	348 V8 CARB - exc. cart. type		HP-2002
Impala	409 V8 CARB - exc. cart. type		HP-2002

Vehicle	Engine Type	Air Filter	Oil Filter
<b>1960 CHEVROLET</b>			
Bel Air	283 V8 CARB - exc. cart. type		HP-2002
Bel Air	348 V8 CARB - exc. cart. type		HP-2002
Corvette	283 V8 CARB	E-1230	
Corvette	283 V8 CARB - exc. cart. type	E-1230	HP-2002
Corvette	283 V8 F/I	E-1935	
Corvette	283 V8 F/I - exc. cart. type	E-1935	HP-2002
Impala	283 V8 CARB - exc. cart. type		HP-2002
Impala	348 V8 CARB - exc. cart. type		HP-2002

Vehicle	Engine Type	Air Filter	Oil Filter
<b>1959 CHEVROLET</b>			
Corvette	283 V8 F/I	E-1935	

Vehicle	Engine Type	Air Filter	Oil Filter
<b>2011 CHRYSLER</b>			
200	2.4L L4 F/I		HP-1017
300C	5.7L V8 F/I		HP-2010
Voyager IV	2.8L V6 DSL	33-2419	
Voyager IV	3.8L V6 F/I	33-2419	

Vehicle	Engine Type	Air Filter	Oil Filter
<b>2010 CHRYSLER</b>			
300	2.7L V6 F/I	33-2295 ♦	HP-1017
300	3.5L V6 F/I	33-2295 ♦	HP-1017
300C	3.0L V6 DSL	33-2304	
300C	5.7L V8 F/I	33-2295 ♦	HP-2010
300C	6.1L V8 F/I	33-2295 ♦	HP-2010
Cirrus	2.4L L4 F/I		HP-1017
Cirrus	3.5L V6 F/I		HP-1017
PT Cruiser	2.4L L4 F/I	33-2351 ♦	HP-1002

\*Indicates 2 filters required      ♦ - Intake kit available      Applications updated daily at [knfilters.com](http://knfilters.com) ®

**Partial Listing - Complete List of Vehicles and Applications at [knfilters.com](http://knfilters.com)**

# CHRYSLER

# AIR & OIL FILTERS

Vehicle	Engine Type	Air Filter	Oil Filter
<b>2010 CHRYSLER</b>			
Sebring	2.0L L4 DSL	33-2373	
Sebring	2.0L L4 F/I	33-2373	
Sebring	2.4L L4 F/I	33-2373	HP-1017
Sebring	2.7L V6 F/I	33-2373	HP-1017
Sebring	3.5L V6 F/I	33-2373	HP-1017
Town & Country Van	3.3L V6 F/I	33-2419	HP-1002
Town & Country Van	3.8L V6 F/I	33-2419	HP-1002
Town & Country Van	4.0L V6 F/I	33-2419	HP-1017
Voyager IV	2.8L V6 DSL	33-2419	
Voyager IV	3.8L V6 F/I	33-2419	

Vehicle	Engine Type	Air Filter	Oil Filter
<b>2009 CHRYSLER</b>			
300	2.7L V6 F/I	33-2295 ♦	HP-1017
300	3.5L V6 F/I	33-2295 ♦	HP-2010
300C	3.0L V6 DSL	33-2304	
300C	5.7L V8 F/I	33-2295 ♦	HP-2010
300C	6.1L V8 F/I	33-2295 ♦	HP-2010
Aspen	4.7L V8 F/I	33-2288	HP-2010
Aspen	5.7L V8 F/I	33-2288	HP-2010
Cirrus	2.4L L4 F/I		HP-1017
Cirrus	3.5L V6 F/I		HP-2010
PT Cruiser	2.4L L4 F/I	33-2351	
		33-2351 ♦	
PT Cruiser	2.4L L4 F/I - exc. Turbo	33-2351	HP-1002
PT Cruiser	2.4L L4 F/I - Turbo	33-2351	HP-2009
Sebring	2.0L L4 DSL	33-2373	
Sebring	2.0L L4 F/I	33-2373	
Sebring	2.4L L4 F/I	33-2373	HP-1017
Sebring	2.7L V6 F/I		HP-2010
Sebring	3.5L V6 F/I	33-2373	HP-2010
Town & Country Van	3.3L V6 F/I	33-2419	HP-1002
Town & Country Van	3.8L V6 F/I	33-2419	HP-1002
Town & Country Van	4.0L V6 F/I	33-2419	HP-1017
Voyager IV	2.8L V6 DSL	33-2419	
Voyager IV	3.8L V6 F/I	33-2419	

Vehicle	Engine Type	Air Filter	Oil Filter
<b>2008 CHRYSLER</b>			
300	2.7L V6 F/I	33-2295 ♦	HP-2010
300	3.5L V6 F/I	33-2295 ♦	HP-2010
300C	2.7L V6 F/I	33-2295	HP-2010
300C	3.0L V6 DSL	33-2304	
300C	3.5L V6 F/I	33-2295	HP-2010
300C	5.7L V8 F/I	33-2295 ♦	HP-2010
300C	6.1L V8 F/I	33-2295 ♦	HP-2010
Aspen	4.7L V8 F/I	33-2288	HP-2010
Aspen	5.7L V8 F/I	33-2288	HP-2010
Cirrus	2.4L L4 F/I		HP-1017
Cirrus	3.5L V6 F/I - 22mm Thread		HP-2010
Cirrus	3.5L V6 F/I - 3/4 thread		HP-2004
Crossfire	3.2L V6 F/I	33-2290*	HP-7004
Pacifica	3.8L V6 F/I	33-2283	HP-1002
Pacifica	4.0L V6 F/I	33-2283	HP-2004
PT Cruiser	1.6L L4 F/I	33-2351	
PT Cruiser	2.4L L4 F/I	33-2351 ♦	
		33-2351 ♦	
PT Cruiser	2.4L L4 F/I - exc. Turbo	33-2351	HP-1002
PT Cruiser	2.4L L4 F/I - Turbo	33-2351	HP-2009
Sebring	2.0L L4 DSL	33-2373	
Sebring	2.0L L4 F/I	33-2373	
Sebring	2.4L L4 F/I	33-2373	HP-1017
Sebring	2.7L V6 F/I	33-2373	HP-2010
Sebring	3.5L V6 F/I	33-2373	
Sebring	3.5L V6 F/I - 22mm Thread	33-2373	HP-2010
Sebring	3.5L V6 F/I - 3/4 thread	33-2373	HP-2004

Vehicle	Engine Type	Air Filter	Oil Filter
<b>2008 CHRYSLER</b>			
Town & Country Van	3.3L V6 F/I	33-2419	HP-1002
Town & Country Van	3.8L V6 F/I	33-2419	HP-1002
Town & Country Van	4.0L V6 F/I	33-2419	HP-2004
Voyager III	2.4L L4 F/I	33-2206	
Voyager III	2.5L L4 DSL	33-2206	
Voyager III	2.8L L4 DSL	33-2206	
Voyager III	3.3L V6 F/I	33-2206	
Voyager III	3.8L V6 F/I	33-2206	
Voyager III	2.8L V6 DSL	33-2419	
Voyager IV	3.8L V6 F/I	33-2419	
Voyager Van	3.3L V6 F/I		HP-1002

Vehicle	Engine Type	Air Filter	Oil Filter
<b>2007 CHRYSLER</b>			
300	2.7L V6 F/I	33-2295 ♦	HP-2004
300	3.5L V6 F/I	33-2295 ♦	HP-2004
300C	2.7L V6 F/I	33-2295	HP-2004
300C	3.0L V6 DSL	33-2304	
300C	3.5L V6 F/I	33-2295	HP-2004
300C	5.7L V8 F/I	33-2295 ♦	HP-2004
300C	6.1L V8 F/I	33-2295 ♦	HP-2004
Aspen	4.7L V8 F/I	33-2288	HP-2004
Aspen	5.7L V8 F/I	33-2288 ♦	HP-2004
Cirrus	2.4L L4 F/I		HP-1017
Cirrus	3.5L V6 F/I		HP-2004
Crossfire	3.2L V6 F/I	33-2290*	HP-7004
Crossfire SRT-6	3.2L V6 F/I	33-2256*	HP-7004
Pacifica	3.8L V6 F/I	33-2283	HP-2004
Pacifica	4.0L V6 F/I	33-2283	HP-2004
PT Cruiser	1.6L L4 F/I	33-2351	
PT Cruiser	2.4L L4 F/I	33-2351 ♦	
		33-2351 ♦	
PT Cruiser	2.4L L4 F/I - exc. Turbo	33-2351	HP-1002
PT Cruiser	2.4L L4 F/I - Turbo	33-2351	HP-2009
Sebring	2.0L L4 DSL	33-2373	
Sebring	2.0L L4 F/I	33-2373	
Sebring	2.4L L4 F/I	33-2373	HP-1017
Sebring	2.7L V6 F/I	33-2373	HP-2004
Sebring	3.5L V6 F/I	33-2373	HP-2004
Town & Country Van	3.3L V6 F/I	33-2206	HP-1002
Town & Country Van	3.8L V6 F/I	33-2206	HP-1002
Voyager III	2.4L L4 F/I	33-2206	
Voyager III	2.5L L4 DSL	33-2206	
Voyager III	2.8L L4 DSL	33-2206	
Voyager III	3.3L V6 F/I	33-2206	
Voyager III	3.8L V6 F/I	33-2206	

Vehicle	Engine Type	Air Filter	Oil Filter
<b>2006 CHRYSLER</b>			
300	2.7L V6 F/I	33-2295 ♦	HP-2004
300	3.5L V6 F/I	33-2295 ♦	HP-2004
300C	2.7L V6 F/I	33-2295	HP-2004
300C	3.0L V6 DSL	33-2304	
300C	3.5L V6 F/I	33-2295	HP-2004
300C	5.7L V8 F/I	33-2295 ♦	HP-2004
300C	6.1L V8 F/I	33-2295 ♦	HP-2004
Cirrus	2.4L L4 F/I		HP-2009
Crossfire	3.2L V6 F/I	33-2290*	HP-7004
Crossfire SRT-6	3.2L V6 F/I	33-2256*	HP-7004
Pacifica	3.5L V6 F/I	33-2283	HP-2004
Pacifica	3.8L V6 F/I	33-2283	HP-2004
PT Cruiser	1.6L L4 F/I	33-2351	
PT Cruiser	2.4L L4 F/I	33-2351 ♦	
		33-2351 ♦	
PT Cruiser	2.4L L4 F/I - exc. Turbo	33-2351	HP-1002
PT Cruiser	2.4L L4 F/I - Turbo	33-2351	HP-2009
Sebring	2.4L L4 F/I	E-1007	HP-1002

\*Indicates 2 filters required    ♦ - Intake kit available    Applications updated daily at [knfilters.com](http://knfilters.com) ®

# AIR & OIL FILTERS

# CHRYSLER

Vehicle	Engine Type	Air Filter	Oil Filter	Vehicle	Engine Type	Air Filter	Oil Filter
<b>2006 CHRYSLER</b>				<b>2004 CHRYSLER</b>			
Sebring	2.7L V6 F/I	E-1007	HP-2004	Sebring	2.7L V6 F/I	E-1007	HP-2004
Town & Country Van	3.3L V6 F/I	33-2206	HP-2004	Sebring	3.0L V6 F/I	33-2072	HP-1004
Town & Country Van	3.8L V6 F/I	33-2206	HP-2004	Stratus	2.4L L4 F/I - Coupe	33-2072	HP-1010
Voyager III	2.4L L4 F/I	33-2206		Stratus	2.4L L4 F/I - exc. Coupe	E-1007	HP-1002
Voyager III	2.5L L4 DSL	33-2206		Town & Country Van	3.3L V6 F/I	33-2206	HP-2004
Voyager III	2.8L L4 DSL	33-2206		Town & Country Van	3.8L V6 F/I	33-2206	HP-2004
Voyager III	3.3L V6 F/I	33-2206		Voyager III	2.4L L4 F/I	33-2206	
Voyager III	3.8L V6 F/I	33-2206		Voyager III	2.5L L4 DSL	33-2206	
<b>2005 CHRYSLER</b>				<b>2003 CHRYSLER</b>			
300	2.7L V6 F/I	33-2295 ♦	HP-2004	300M	2.7L V6 F/I	33-2136	
300	3.5L V6 F/I	33-2295 ♦	HP-2004	300M	3.5L V6 F/I	33-2136 ♦	HP-2004
300C	2.7L V6 F/I	33-2295	HP-2004	Cirrus	2.4L L4 F/I - Turbo		HP-2009
300C	3.0L V6 DSL	33-2304		Concorde	2.7L V6 F/I	33-2136	HP-2004
300C	3.5L V6 F/I	33-2295	HP-2004	Concorde	3.5L V6 F/I	33-2136	HP-2004
300C	5.7L V8 F/I	33-2295 ♦	HP-2004	Intrepid	2.7L V6 F/I	33-2136	HP-2004
300C	6.1L V8 F/I	33-2295 ♦	HP-2004	Intrepid	3.5L V6 F/I	33-2136	HP-2004
Cirrus	2.4L L4 F/I - Turbo		HP-2009	Neon II	2.0L L4 F/I	E-1006 ♦	
Crossfire	3.2L V6 F/I	33-2290*	HP-7004	PT Cruiser	1.6L L4 F/I	33-2153	
Crossfire SRT-6	3.2L V6 F/I	33-2256*	HP-7004	PT Cruiser	2.0L L4 F/I	33-2153 ♦	
Neon II	2.0L L4 F/I	E-1006 ♦		PT Cruiser	2.4L L4 F/I	33-2153 ♦	
Pacifica	3.5L V6 F/I	33-2283	HP-2004	PT Cruiser	2.4L L4 F/I - exc. Turbo	33-2153	HP-1002
Pacifica	3.8L V6 F/I	33-2283	HP-2004	PT Cruiser	2.4L L4 F/I - Turbo	33-2153	HP-2009
PT Cruiser	1.6L L4 F/I	33-2153		Sebring	2.4L L4 F/I	33-2072	
PT Cruiser	2.0L L4 F/I	33-2153 ♦		Sebring	2.4L L4 F/I - DOHC	33-2072	HP-1002
PT Cruiser	2.4L L4 F/I	33-2153 ♦		Sebring	2.4L L4 F/I - Non-US	E-1007	
PT Cruiser	2.4L L4 F/I	33-2153 ♦		Sebring	2.4L L4 F/I - SOHC	33-2072	HP-1010
PT Cruiser	2.4L L4 F/I - exc. Turbo	33-2153	HP-1002	Sebring	2.7L V6 F/I	E-1007	HP-2004
PT Cruiser	2.4L L4 F/I - Turbo	33-2153	HP-2009	Sebring	3.0L V6 F/I	33-2072	HP-1004
Sebring	2.4L L4 F/I - DOHC	E-1007	HP-1002	Sebring	2.4L L4 F/I - Coupe	33-2072	HP-1010
Sebring	2.4L L4 F/I - Non-US	E-1007		Stratus	2.4L L4 F/I - exc. Coupe	E-1007	HP-1002
Sebring	2.4L L4 F/I - SOHC	33-2072	HP-1010	Town & Country Van	3.3L V6 F/I	33-2206	HP-2004
Sebring	2.7L V6 F/I	E-1007	HP-2004	Town & Country Van	3.8L V6 F/I	33-2206	HP-2004
Sebring	3.0L V6 F/I	33-2072	HP-1004	Voyager III	2.4L L4 F/I	33-2206	
Town & Country Van	3.3L V6 F/I	33-2206	HP-2004	Voyager III	2.5L L4 DSL	33-2206	
Town & Country Van	3.8L V6 F/I	33-2206	HP-2004	Voyager III	3.3L V6 F/I	33-2206	
Voyager III	2.4L L4 F/I	33-2206		Voyager III	3.8L V6 F/I	33-2206	
Voyager III	2.5L L4 DSL	33-2206		Voyager Van	2.4L L4 F/I	33-2206	HP-1002
Voyager III	2.8L L4 DSL	33-2206		Voyager Van	3.3L V6 F/I	33-2206	HP-2004
Voyager III	3.3L V6 F/I	33-2206		<b>2002 CHRYSLER</b>			
Voyager III	3.8L V6 F/I	33-2206		300M	2.7L V6 F/I	33-2136	
<b>2004 CHRYSLER</b>				300M	3.5L V6 F/I	33-2136 ♦	HP-2004
300C	2.7L V6 F/I	33-2295		Cirrus	2.4L L4 F/I - Turbo		HP-2009
300C	3.5L V6 F/I	33-2295	HP-2004	Concorde	2.7L V6 F/I	33-2136	HP-2004
300C	5.7L V8 F/I	33-2295	HP-2004	Concorde	3.5L V6 F/I	33-2136	HP-2004
300M	2.7L V6 F/I	33-2136		Concorde	2.7L V6 F/I	33-2136	HP-2004
300M	3.5L V6 F/I	33-2136 ♦	HP-2004	Intrepid	2.7L V6 F/I	33-2136	HP-2004
Cirrus	2.4L L4 F/I - Turbo		HP-2009	Intrepid	3.5L V6 F/I	33-2136	HP-2004
Concorde	2.7L V6 F/I	33-2136	HP-2004	Neon	2.0L L4 F/I	E-1006 ♦	HP-1002
Concorde	3.5L V6 F/I	33-2136	HP-2004	Neon II	2.0L L4 F/I	E-1006 ♦	HP-1002
Crossfire	3.2L V6 F/I	33-2290*	HP-7004	Prowler	3.5L V6 F/I	33-2087	HP-2004
Intrepid	2.7L V6 F/I		HP-2004	PT Cruiser	2.0L L4 F/I	33-2153 ♦	
Intrepid	3.5L V6 F/I		HP-2004	PT Cruiser	2.4L L4 F/I	33-2153 ♦	HP-1002
Neon II	2.0L L4 F/I	E-1006 ♦		Sebring	2.4L L4 F/I - DOHC	E-1007	HP-1002
Pacifica	3.5L V6 F/I	33-2283	HP-2004	Sebring	2.4L L4 F/I - Non-US	E-1007	
PT Cruiser	1.6L L4 F/I	33-2153		Sebring	2.4L L4 F/I - SOHC	33-2072	HP-1010
PT Cruiser	2.0L L4 F/I	33-2153 ♦		Sebring	2.7L V6 F/I	E-1007	HP-2004
PT Cruiser	2.4L L4 F/I	33-2153 ♦		Sebring	3.0L V6 F/I	33-2072	HP-1004
PT Cruiser	2.4L L4 F/I	33-2153 ♦		Stratus	2.4L L4 F/I - Coupe	33-2072	HP-1010
PT Cruiser	2.4L L4 F/I - exc. Turbo	33-2153	HP-1002				
PT Cruiser	2.4L L4 F/I - Turbo	33-2153	HP-2009				
Sebring	2.4L L4 F/I	E-1007					
Sebring	2.4L L4 F/I - DOHC	E-1007	HP-1002				
Sebring	2.4L L4 F/I - SOHC	E-1007	HP-1010				

\*Indicates 2 filters required

♦ - Intake kit available

Applications updated daily at [knfilters.com](http://knfilters.com) ®

**Partial Listing - Complete List of Vehicles and Applications at [knfilters.com](http://knfilters.com)**

# CHRYSLER

# AIR & OIL FILTERS

Vehicle	Engine Type	Air Filter	Oil Filter
<b>2002 CHRYSLER</b>			
Stratus	2.4L L4 F/I - exc. Coupe	E-1007	HP-1002
Town & Country Van	3.3L V6 F/I	33-2206	HP-2004
Town & Country Van	3.8L V6 F/I	33-2206	HP-2004
Voyager III	2.4L L4 F/I	33-2206	
Voyager III	2.5L L4 DSL	33-2206	
Voyager III	3.3L V6 F/I	33-2206	
Voyager III	3.8L V6 F/I	33-2206	
Voyager Van	2.4L L4 F/I	33-2206	HP-1002
Voyager Van	3.3L V6 F/I	33-2206	HP-2004

Vehicle	Engine Type	Air Filter	Oil Filter
<b>2001 CHRYSLER</b>			
300M	2.7L V6 F/I	33-2136	
300M	3.5L V6 F/I	33-2136 ♦	HP-2004
Cirrus	2.4L L4 F/I - Turbo		HP-2009
Concorde	2.7L V6 F/I	33-2136	HP-2004
Concorde	3.2L V6 F/I	33-2136	HP-2004
Intrepid	2.7L V6 F/I		HP-2004
Intrepid	3.2L V6 F/I		HP-2004
LHS	3.5L V6 F/I	33-2136	HP-2004
Neon	2.0L L4 F/I	E-1006 ♦	HP-1002
Neon II	2.0L L4 F/I	E-1006 ♦	HP-1002
Prowler	3.5L V6 F/I		HP-2004
PT Cruiser	2.0L L4 F/I	33-2153 ♦	
PT Cruiser	2.4L L4 F/I	33-2153 ♦	HP-1002
Sebring	2.4L L4 F/I - DOHC	E-1007	HP-1002
Sebring	2.4L L4 F/I - Non-US	E-1007	
Sebring	2.4L L4 F/I - SOHC	33-2072	HP-1010
Sebring	2.7L V6 F/I	E-1007	HP-2004
Sebring	3.0L V6 F/I	33-2072	HP-1004
Stratus	2.4L L4 F/I - Coupe	33-2072	HP-1010
Stratus	2.4L L4 F/I - exc. Coupe	E-1007	HP-1002
Stratus	2.5L V6 F/I	33-2067	HP-2004
Town & Country Van	3.3L V6 F/I	33-2206	HP-2004
Town & Country Van	3.8L V6 F/I	33-2206	HP-2004
Voyager II	2.0L L4 F/I	33-2087	
Voyager II	2.4L L4 F/I	33-2087	
Voyager II	2.5L L4 DSL	33-2087	
Voyager II	3.0L V6 F/I	33-2087	
Voyager II	3.3L V6 F/I	33-2087	
Voyager II	3.8L V6 F/I	33-2087	
Voyager III	2.4L L4 F/I	33-2206	
Voyager III	2.5L L4 DSL	33-2206	
Voyager III	3.3L V6 F/I	33-2206	
Voyager III	3.8L V6 F/I	33-2206	
Voyager Van	2.4L L4 F/I	33-2206	HP-1002
Voyager Van	3.3L V6 F/I	33-2206	HP-2004

Vehicle	Engine Type	Air Filter	Oil Filter
<b>2000 CHRYSLER</b>			
300M	2.7L V6 F/I	33-2136	
300M	3.5L V6 F/I	33-2136 ♦	HP-2004
Cirrus	2.0L L4 F/I	33-2067	
Cirrus	2.4L L4 F/I	33-2067	HP-1002
Cirrus	2.5L V6 F/I	33-2067	HP-2004
Concorde	2.7L V6 F/I	33-2136	HP-2004
Concorde	3.2L V6 F/I	33-2136	HP-2004
Grand Voyager	3.0L V6 F/I		HP-2004
Grand Voyager	3.3L V6 F/I		HP-2004
Intrepid	2.7L V6 F/I		HP-2004
Intrepid	3.2L V6 F/I		HP-2004
LHS	3.5L V6 F/I	33-2136	HP-2004
Neon	2.0L L4 F/I	E-1006 ♦	HP-1002
Neon II	2.0L L4 F/I	E-1006 ♦	HP-1002
PT Cruiser	2.0L L4 F/I	33-2153 ♦	
PT Cruiser	2.4L L4 F/I	33-2153	HP-1002

Vehicle	Engine Type	Air Filter	Oil Filter
<b>2000 CHRYSLER</b>			
Sebring	2.5L V6 F/I - VIN H	33-2067	HP-2004
Sebring	2.5L V6 F/I - VIN N	33-2072	HP-2004
Stratus	2.0L L4 F/I	33-2067	HP-1002
Stratus	2.4L L4 F/I	33-2067	HP-1002
Stratus	2.5L V6 F/I	33-2067	HP-2004
Town & Country Van	3.3L V6 F/I	33-2087	HP-2004
Town & Country Van	3.8L V6 F/I	33-2087	HP-2004
Voyager II	2.0L L4 F/I	33-2087	
Voyager II	2.4L L4 F/I	33-2087	
Voyager II	2.5L L4 DSL	33-2087	
Voyager II	3.0L V6 F/I	33-2087	
Voyager II	3.3L V6 F/I	33-2087	
Voyager II	3.8L V6 F/I	33-2087	
Voyager III	2.4L L4 F/I	33-2206	
Voyager III	2.5L L4 DSL	33-2206	
Voyager III	3.3L V6 F/I	33-2206	
Voyager III	3.8L V6 F/I	33-2206	
Voyager Van	2.4L L4 F/I		HP-1002
Voyager Van	3.0L V6 F/I		HP-2004
Voyager Van	3.3L V6 F/I		HP-2004

Vehicle	Engine Type	Air Filter	Oil Filter
<b>1999 CHRYSLER</b>			
300M	2.7L V6 F/I	33-2136	
300M	3.5L V6 F/I	33-2136	HP-2004
Cirrus	2.5L V6 F/I	33-2067	HP-2004
Concorde	2.7L V6 F/I	33-2136	HP-2004
Concorde	3.2L V6 F/I	33-2136	HP-2004
Intrepid	2.7L V6 F/I		HP-2004
Intrepid	3.2L V6 F/I		HP-2004
LHS	3.5L V6 F/I	33-2136	HP-2004
Neon	1.8L L4 F/I	33-2087	
Neon	2.0L L4 F/I	33-2087	
Neon II	2.0L L4 F/I	E-1006 ♦	
Sebring	2.0L L4 F/I	33-2072	HP-2004
Sebring	2.5L V6 F/I - VIN H	33-2067	HP-2004
Sebring	2.5L V6 F/I - VIN N	33-2072	HP-2004
Stratus	2.0L L4 F/I	33-2067	HP-1002
Stratus	2.4L L4 F/I	33-2067	HP-1002
Stratus	2.5L V6 F/I	33-2067	HP-2004
Town & Country Van	3.3L V6 F/I	33-2087	HP-2004
Town & Country Van	3.8L V6 F/I	33-2087	HP-2004
Voyager II	2.0L L4 F/I	33-2087	
Voyager II	2.4L L4 F/I	33-2087	
Voyager II	2.5L L4 DSL	33-2087	
Voyager II	3.0L V6 F/I	33-2087	
Voyager II	3.3L V6 F/I	33-2087	
Voyager II	3.8L V6 F/I	33-2087	

Vehicle	Engine Type	Air Filter	Oil Filter
<b>1998 CHRYSLER</b>			
300M	2.7L V6 F/I	33-2136	
300M	3.5L V6 F/I	33-2136	HP-2004
Cirrus	2.5L V6 F/I	33-2067	HP-2004
Concorde	2.7L V6 F/I	33-2136	HP-2004
Concorde	3.2L V6 F/I	33-2136	HP-2004
Intrepid	2.7L V6 F/I		HP-2004
Intrepid	3.2L V6 F/I		HP-2004
Neon	1.8L L4 F/I	33-2087	
Neon	2.0L L4 F/I	33-2087	
Sebring	2.0L L4 F/I	33-2072	HP-2004
Sebring	2.4L L4 F/I	33-2067	HP-1002
Sebring	2.5L V6 F/I - VIN H	33-2067	HP-2004
Sebring	2.5L V6 F/I - VIN N	33-2072	HP-2004
Stratus	2.0L L4 F/I	33-2067	HP-1002
Stratus	2.4L L4 F/I	33-2067	HP-1002
Stratus	2.5L V6 F/I	33-2067	HP-2004

\*Indicates 2 filters required

♦ - Intake kit available

Applications updated daily at [knfilters.com](http://knfilters.com) ®



# AIR & OIL FILTERS

# CHRYSLER

Vehicle	Engine Type	Air Filter	Oil Filter
<b>1998 CHRYSLER</b>			
Town & Country Van	3.3L V6 F/I	33-2087	HP-2004
Town & Country Van	3.8L V6 F/I	33-2087	HP-2004
Voyager II	2.0L L4 F/I	33-2087	
Voyager II	2.4L L4 F/I	33-2087	
Voyager II	2.5L L4 DSL	33-2087	
Voyager II	3.0L V6 F/I	33-2087	
Voyager II	3.3L V6 F/I	33-2087	
Voyager II	3.8L V6 F/I	33-2087	
<b>1997 CHRYSLER</b>			
Cirrus	2.4L L4 F/I	33-2067	HP-1002
Cirrus	2.5L V6 F/I	33-2067	HP-2004
Concorde	3.5L V6 F/I	33-2066-1	HP-2004
Intrepid	3.3L V6 F/I		HP-2004
Intrepid	3.5L V6 F/I		HP-2004
LHS	3.5L V6 F/I	33-2066-1	HP-2004
Neon	1.8L L4 F/I	33-2087	
Neon	2.0L L4 F/I	33-2087	
Sebring	2.0L L4 F/I	33-2072	HP-2004
Sebring	2.4L L4 F/I	33-2067	HP-1002
Sebring	2.5L V6 F/I - VIN H	33-2067	HP-2004
Sebring	2.5L V6 F/I - VIN N	33-2072	HP-2004
Stratus	2.0L L4 F/I	33-2067	HP-1002
Stratus	2.4L L4 F/I	33-2067	HP-1002
Stratus	2.5L V6 F/I	33-2067	HP-2004
Town & Country Van	3.3L V6 F/I	33-2087	HP-2004
Town & Country Van	3.8L V6 F/I	33-2087	HP-2004
Voyager II	2.0L L4 F/I	33-2087	
Voyager II	2.4L L4 F/I	33-2087	
Voyager II	2.5L L4 DSL	33-2087	
Voyager II	3.0L V6 F/I	33-2087	
Voyager II	3.3L V6 F/I	33-2087	
Voyager II	3.8L V6 F/I	33-2087	
<b>1996 CHRYSLER</b>			
Cirrus	2.4L L4 F/I	33-2067	HP-1002
Cirrus	2.5L V6 F/I	33-2067	HP-2004
Concorde	3.3L V6 F/I	33-2066-1	HP-2004
Concorde	3.5L V6 F/I	33-2066-1	HP-2004
Intrepid	3.3L V6 F/I		HP-2004
Intrepid	3.5L V6 F/I		HP-2004
LHS	3.5L V6 F/I	33-2066-1	HP-2004
Neon	2.0L L4 F/I	33-2087	
New Yorker	3.5L V6 F/I	33-2066-1	HP-2004
Sebring	2.0L L4 F/I	33-2072	HP-2004
Sebring	2.4L L4 F/I		HP-1002
Sebring	2.5L V6 F/I - VIN H	33-2067	HP-2004
Sebring	2.5L V6 F/I - VIN N	33-2072	HP-2004
Stratus	2.0L L4 F/I	33-2067	HP-1002
Stratus	2.4L L4 F/I	33-2067	HP-1002
Stratus	2.5L V6 F/I	33-2067	HP-2004
Town & Country Van	3.3L V6 F/I	33-2087	HP-2004
Town & Country Van	3.8L V6 F/I	33-2087	HP-2004
Voyager II	2.0L L4 F/I	33-2087	
Voyager II	2.4L L4 F/I	33-2087	
Voyager II	2.5L L4 DSL	33-2087	
Voyager II	3.0L V6 F/I	33-2087	
Voyager II	3.3L V6 F/I	33-2087	
Voyager II	3.8L V6 F/I	33-2087	
<b>1995 CHRYSLER</b>			
Cirrus	2.4L L4 F/I	33-2067	HP-1002
Cirrus	2.5L V6 F/I	33-2067	HP-2004
Concorde	3.3L V6 F/I	33-2066-1	HP-2004
Concorde	3.5L V6 F/I	33-2066-1	HP-2004

Vehicle	Engine Type	Air Filter	Oil Filter
<b>1995 CHRYSLER</b>			
Intrepid	3.3L V6 F/I		HP-2004
Intrepid	3.5L V6 F/I		HP-2004
LeBaron	3.0L V6 F/I	33-2002	HP-2004
LHS	3.5L V6 F/I	33-2066-1	HP-2004
Neon	2.0L L4 F/I	33-2087	
New Yorker	3.5L V6 F/I	33-2066-1	HP-2004
Sebring	2.0L L4 F/I	33-2072	HP-2004
Sebring	2.5L V6 F/I	33-2072	HP-2004
Stratus	2.0L L4 F/I	33-2067	HP-1002
Stratus	2.5L V6 F/I	33-2067	HP-2004
Town & Country Van	3.8L V6 F/I		HP-2004
Voyager I	2.5L L4 DSL	E-2402	
Voyager I	2.5L L4 F/I	33-2006	
Voyager I	3.0L V6 F/I	33-2002	
Voyager I	3.3L V6 F/I	33-2006	
Voyager II	2.0L L4 F/I	33-2087	
Voyager II	2.5L L4 DSL	33-2087	
Voyager II	3.0L V6 F/I	33-2087	
Voyager II	3.3L V6 F/I	33-2087	
<b>1994 CHRYSLER</b>			
Concorde	3.3L V6 F/I	33-2066-1	HP-2004
Concorde	3.5L V6 F/I	33-2066-1	HP-2004
Intrepid	3.3L V6 F/I		HP-2004
Intrepid	3.5L V6 F/I		HP-2004
LeBaron	3.0L V6 F/I	33-2002	HP-2004
LHS	3.5L V6 F/I	33-2066-1	HP-2004
Neon	2.0L L4 F/I	33-2087	
New Yorker	3.5L V6 F/I	33-2066-1	HP-2004
Phantom	2.5L L4 F/I		HP-1002
Town & Country Van	3.8L V6 F/I		HP-2004
Voyager I	2.5L L4 DSL	E-2402	
Voyager I	2.5L L4 F/I	33-2006	
Voyager I	3.0L V6 F/I	33-2002	
Voyager I	3.3L V6 F/I	33-2006	
<b>1993 CHRYSLER</b>			
Concorde	3.3L V6 F/I	33-2066-1	HP-2004
Concorde	3.5L V6 F/I	33-2066-1	HP-2004
Imperial	3.8L V6 F/I		HP-2004
Intrepid	3.3L V6 F/I		HP-2004
Intrepid	3.5L V6 F/I		HP-2004
LeBaron	2.5L L4 F/I	E-1923	HP-2004
LeBaron	3.0L V6 F/I	33-2002	HP-2004
New Yorker	3.3L V6 F/I		HP-2004
New Yorker	3.8L V6 F/I	33-2006	HP-2004
Phantom	2.5L L4 F/I		HP-1002
Town & Country Van	3.3L V6 F/I		HP-2004
Voyager I	2.5L L4 DSL	E-2402	
Voyager I	2.5L L4 F/I	33-2006	
Voyager I	3.3L V6 F/I	33-2006	
<b>1992 CHRYSLER</b>			
Imperial	3.8L V6 F/I		HP-2004
LeBaron	2.5L L4 F/I		HP-2004
LeBaron	2.5L L4 F/I - exc. Turbo	E-1923	HP-2004
LeBaron	2.5L L4 F/I - Turbo	33-2039	HP-2004
LeBaron	3.0L V6 F/I	33-2002	HP-2004
New Yorker	3.3L V6 F/I		HP-2004
New Yorker	3.8L V6 F/I		HP-2004
Phantom	2.5L L4 F/I		HP-1002
Town & Country Van	3.3L V6 F/I		HP-2004
Voyager I	2.5L L4 F/I	33-2006	
Voyager I	3.3L V6 F/I	33-2006	

\*Indicates 2 filters required    ♦ - Intake kit available    Applications updated daily at [knfilters.com](http://knfilters.com) ®

**Partial Listing - Complete List of Vehicles and Applications at [knfilters.com](http://knfilters.com)**

# CHRYSLER

# AIR & OIL FILTERS

Vehicle	Engine Type	Air Filter	Oil Filter
<b>1991 CHRYSLER</b>			
Imperial	3.3L V6 F/I		HP-2004
Imperial	3.8L V6 F/I		HP-2004
LeBaron	2.5L L4 F/I		HP-2004
LeBaron	2.5L L4 F/I - exc. Turbo	E-1923	HP-2004
LeBaron	2.5L L4 F/I - Turbo	33-2039	HP-2004
LeBaron	3.0L V6 F/I	33-2002	HP-2004
New Yorker	3.3L V6 F/I	33-2002	HP-2004
New Yorker	3.8L V6 F/I	33-2006	HP-2004
Phantom	2.5L L4 F/I		HP-1002
TC Maserati	3.0L V6 F/I	33-2002	HP-2004
Town & Country Van	3.3L V6 F/I		HP-2004
Voyager I	3.3L V6 F/I	33-2006	

<b>1990 CHRYSLER</b>			
Imperial	3.3L V6 F/I		HP-1002
LeBaron	2.2L L4 F/I	33-2039	HP-1002
LeBaron	2.5L L4 F/I		HP-1002
LeBaron	2.5L L4 F/I - exc. Turbo	E-1923	HP-1002
LeBaron	2.5L L4 F/I - Turbo	33-2039	HP-1002
LeBaron	3.0L V6 F/I	33-2002	HP-1002
New Yorker	3.3L V6 F/I	33-2002	HP-1002
Phantom	2.5L L4 F/I		HP-1002
TC Maserati	3.0L V6 F/I	33-2002	HP-1002
Voyager I	3.3L V6 F/I	33-2006	

<b>1989 CHRYSLER</b>			
Conquest	2.6L L4 F/I	E-2873	HP-1005
Fifth Avenue	5.2L V8 CARB		HP-2004
LeBaron	2.2L L4 F/I		HP-1002
LeBaron	2.2L L4 F/I - exc. Turbo	E-1923	HP-1002
LeBaron	2.2L L4 F/I - Turbo	33-2006	HP-1002
LeBaron	2.5L L4 F/I		HP-1002
LeBaron	2.5L L4 F/I - exc. Turbo	E-1923	HP-1002
LeBaron	2.5L L4 F/I - Turbo	33-2006	HP-1002
New Yorker	3.0L V6 F/I	33-2002	HP-1002
Phantom	2.5L L4 F/I		HP-1002
TC Maserati	2.2L L4 F/I	33-2006	HP-1002

<b>1988 CHRYSLER</b>			
Conquest	2.6L L4 F/I	E-2873	HP-1005
Fifth Avenue	5.2L V8 CARB	E-1100	HP-2004
LeBaron	2.2L L4 F/I		HP-1002
LeBaron	2.2L L4 F/I - exc. Turbo	E-1923	HP-1002
LeBaron	2.2L L4 F/I - Turbo	33-2006	HP-1002
LeBaron	2.5L L4 F/I	E-1923	HP-1002
New Yorker	3.0L V6 F/I	33-2002	HP-1002
Voyager I	3.0L V6 F/I	33-2002	

<b>1987 CHRYSLER</b>			
Conquest	2.6L L4 F/I	E-2873	HP-1005
Fifth Avenue	5.2L V8 CARB	E-1100	HP-2004
LeBaron	2.2L L4 F/I		HP-1002
LeBaron	2.2L L4 F/I - exc. Turbo	E-1923	HP-1002
LeBaron	2.2L L4 F/I - Turbo	33-2006	HP-1002
LeBaron	2.5L L4 F/I	E-1923	HP-1002
New Yorker	2.2L L4 F/I	33-2006	HP-1002

<b>1986 CHRYSLER</b>			
Fifth Avenue	5.2L V8 CARB	E-1100	HP-2004
Laser	2.2L L4 F/I		HP-1002
Laser	2.2L L4 F/I - exc. Turbo	E-1923	HP-1002
Laser	2.2L L4 F/I - Turbo	33-2006	HP-1002
LeBaron	2.2L L4 F/I		HP-1002
LeBaron	2.2L L4 F/I - exc. Turbo	E-1923	HP-1002
LeBaron	2.2L L4 F/I - Turbo	33-2006	HP-1002
LeBaron	2.5L L4 F/I	E-1923	HP-1002

Vehicle	Engine Type	Air Filter	Oil Filter
<b>1986 CHRYSLER</b>			
New Yorker	2.2L L4 F/I	33-2006	HP-1002
New Yorker	2.5L L4 F/I	E-1923	HP-1002
<b>1985 CHRYSLER</b>			
Fifth Avenue	5.2L V8 CARB	E-1100	HP-2004
Laser	2.2L L4 F/I		HP-1002
Laser	2.2L L4 F/I - exc. Turbo	33-2002	HP-1002
Laser	2.2L L4 F/I - Turbo	33-2006	HP-1002
LeBaron	2.2L L4 F/I		HP-1002
LeBaron	2.2L L4 F/I - exc. Turbo	33-2002	HP-1002
LeBaron	2.2L L4 F/I - Turbo	33-2006	HP-1002
LeBaron	2.6L L4 CARB	E-1004	HP-1005
New Yorker	2.2L L4 F/I	33-2006	HP-1002
New Yorker	2.6L L4 CARB	E-1004	HP-1005

<b>1984 CHRYSLER</b>			
Fifth Avenue	5.2L V8 CARB	E-1100	HP-2004
LeBaron	2.2L L4 CARB	33-2006	HP-1002
LeBaron	2.2L L4 F/I		HP-1002
LeBaron	2.2L L4 F/I - exc. Turbo	33-2002	HP-1002
LeBaron	2.2L L4 F/I - Turbo	33-2006	HP-1002
LeBaron	2.6L L4 CARB	E-1004	HP-1005

<b>1983 CHRYSLER</b>			
Cordoba	5.2L V8 CARB	E-1100	HP-2004
Fifth Avenue	5.2L V8 CARB	E-1100	HP-2004

<b>1982 CHRYSLER</b>			
Imperial	5.2L V8 F/I	E-1530	HP-2004

<b>1979 CHRYSLER</b>			
Cordoba	360 V8 CARB	E-1530	HP-2004
New Yorker	360 V8 CARB	E-1530	HP-2004

<b>1977 CHRYSLER</b>			
New Yorker	440 V8 CARB	E-1540	HP-2004

<b>1972 CHRYSLER</b>			
Imperial	440 V8 CARB	E-1540	HP-3001
Newport	400 V8 CARB	E-1530	HP-3001

<b>1971 CHRYSLER</b>			
New Yorker	440 V8 CARB	E-1540	HP-3001

<b>1970 CHRYSLER</b>			
Imperial	440 V8 CARB	E-1540	HP-3001
New Yorker	440 V8 CARB	E-1540	HP-3001

<b>1969 CHRYSLER</b>			
Imperial	440 V8 CARB	E-1540	HP-3001
New Yorker	440 V8 CARB		HP-3001

<b>1968 CHRYSLER</b>			
Imperial	440 V8 CARB	E-1540	HP-3001

<b>1966 CHRYSLER</b>			
New Yorker	440 V8 CARB	E-1957	

<b>1962 CHRYSLER</b>			
Imperial	413 V8 CARB	E-1957	HP-3001

<b>2011 CITROEN</b>			
Berlingo	1.6L L4 F/I	33-2941	
C1	1.0L L3 F/I	33-2131	
C3 II	1.1L L4 F/I	33-2844	
C3 II	1.4L L4 DSL	33-2840	
C3 II	1.4L L4 F/I - 16v	33-2941	
C3 II	1.4L L4 F/I - 8v	33-2844	
C3 II	1.6L L4 DSL - 90BHP	33-2847 ♦	
C3 II	1.6L L4 F/I	33-2941	
C3 Picasso	1.4L L4 F/I	33-2941 ♦	

\*Indicates 2 filters required

♦ - Intake kit available

Applications updated daily at [knfilters.com](http://knfilters.com) ®

# AIR & OIL FILTERS

# CITROEN

Vehicle	Engine Type	Air Filter	Oil Filter
<b>2011 CITROEN</b>			
C3 Picasso	1.6L L4 DSL	33-2847 ♦	
C3 Picasso	1.6L L4 F/I	33-2941 ♦	
C4 II	1.4L L4 F/I	33-2941	
C4 II	1.6L L4 F/I - exc. Turbo	33-2941	
C4 II	1.6L L4 F/I - Turbo	33-2936	
C4 Picasso	1.6L L4 F/I - exc. Turbo	33-2941 ♦	
C4 Picasso	1.6L L4 F/I - Turbo	33-2936 ♦	
C5	1.6L L4 F/I - exc. Turbo	33-2941	
C5	1.6L L4 F/I - Turbo	33-2936	
C5	2.0L L4 DSL	33-2928	
C-Crosser	2.2L L4 DSL	33-2392	
C-Crosser	2.4L L4 F/I	33-2392	
DS3	1.4L L4 F/I	33-2941	
DS3	1.6L L4 F/I - exc. Turbo	33-2941	
DS3	1.6L L4 F/I - Turbo	33-2936	

Vehicle	Engine Type	Air Filter	Oil Filter
<b>2010 CITROEN</b>			
Berlingo	1.4L L4 F/I	33-2844	
Berlingo	1.6L L4 DSL	33-2847 ♦	
Berlingo	1.6L L4 F/I - 110BHP	33-2937	
Berlingo	1.6L L4 F/I - 120BHP	33-2941	
C1	1.0L L3 F/I	33-2131 ♦	
C2	1.1L L4 F/I	33-2844 ♦	
C2	1.4L L4 F/I	33-2844 ♦	
C2	1.6L L4 DSL	33-2847 ♦	
C2	1.6L L4 F/I	33-2844 ♦	
C3	1.1L L4 F/I	33-2844 ♦	
C3	1.4L L4 DSL	33-2840	
C3	1.4L L4 F/I - Exc. VTi	33-2844 ♦	
C3	1.4L L4 F/I - VTi	33-2941 ♦	
C3	1.6L L4 DSL	33-2847 ♦	
C3	1.6L L4 F/I	33-2941	
C3 II	1.1L L4 F/I	33-2844	
C3 II	1.4L L4 DSL	33-2840	
C3 II	1.4L L4 F/I - 16v	33-2941	
C3 II	1.4L L4 F/I - 8v	33-2844	
C3 II	1.6L L4 DSL	33-2847 ♦	
C3 II	1.6L L4 F/I	33-2941	
C3 Picasso	1.4L L4 F/I	33-2941 ♦	
C3 Picasso	1.6L L4 DSL	33-2847 ♦	
C3 Picasso	1.6L L4 F/I	33-2941 ♦	
C4	1.4L L4 F/I	33-2916	
C4	1.6L L4 DSL	33-2847 ♦	
C4	1.6L L4 F/I - exc. Turbo	33-2941 ♦	
C4	1.6L L4 F/I - Turbo	33-2936 ♦	
C4 II	1.4L L4 F/I	33-2941	
C4 II	1.6L L4 F/I - exc. Turbo	33-2941	
C4 II	1.6L L4 F/I - Turbo	33-2936	
C4 Picasso	1.6L L4 DSL	33-2847 ♦	
C4 Picasso	1.6L L4 F/I - exc. Turbo	33-2941 ♦	
C4 Picasso	1.6L L4 F/I - Turbo	33-2936 ♦	
C5	1.6L L4 DSL	33-2928 ♦	
C5	1.6L L4 F/I	33-2936	
C5	1.8L L4 F/I	33-2911	
C5	2.0L L4 DSL	33-2928	
C5	2.0L L4 F/I	33-2911	
C5	3.0L V6 F/I	33-2911	
C8	2.0L L4 DSL	33-2626	
C8	2.0L L4 F/I	33-2539	
C-Crosser	2.2L L4 DSL	33-2392	
C-Crosser	2.4L L4 F/I	33-2392	
DS3	1.4L L4 F/I	33-2941	
DS3	1.6L L4 F/I - exc. Turbo	33-2941	
DS3	1.6L L4 F/I - Turbo	33-2936	

Vehicle	Engine Type	Air Filter	Oil Filter
<b>2010 CITROEN</b>			
Nemo	1.4L L4 DSL	33-2840	
Nemo	1.4L L4 F/I	33-2299	
Xsara Picasso	1.6L L4 DSL	33-2847 ♦	
Xsara Picasso	1.6L L4 F/I	33-2937 ♦	

Vehicle	Engine Type	Air Filter	Oil Filter
<b>2009 CITROEN</b>			
Berlingo	1.4L L4 F/I	33-2844	
Berlingo	1.6L L4 DSL	33-2847 ♦	
Berlingo	1.6L L4 F/I	33-2937 ♦	
C1	1.0L L3 F/I	33-2131 ♦	
C2	1.1L L4 F/I	33-2844 ♦	
C2	1.4L L4 DSL	33-2840 ♦	
C2	1.4L L4 F/I	33-2844 ♦	
C2	1.6L L4 DSL	33-2847 ♦	
C2	1.6L L4 F/I	33-2844 ♦	
C3	1.1L L4 F/I	33-2844 ♦	
C3	1.4L L4 DSL	33-2840 ♦	
C3	1.4L L4 F/I	33-2844 ♦	
C3	1.6L L4 DSL	33-2847 ♦	
C3	1.6L L4 F/I	33-2844 ♦	
C3 Picasso	1.4L L4 F/I	33-2941 ♦	
C3 Picasso	1.6L L4 DSL	33-2847 ♦	
C3 Picasso	1.6L L4 F/I	33-2941 ♦	
C4	1.4L L4 F/I	33-2916	
C4	1.6L L4 DSL	33-2847 ♦	
C4	1.6L L4 F/I - exc. Turbo	33-2941 ♦	
C4	1.6L L4 F/I - Turbo	33-2936 ♦	
C4	2.0L L4 F/I - 140BHP	33-2957	
C4 Picasso	1.6L L4 DSL	33-2847 ♦	
C4 Picasso	1.6L L4 F/I - exc. Turbo	33-2941 ♦	
C4 Picasso	1.6L L4 F/I - Turbo	33-2936 ♦	
C4 Picasso	1.8L L4 F/I	33-2957 ♦	
C4 Picasso	2.0L L4 F/I	33-2957 ♦	
C5	1.6L L4 DSL	33-2929 ♦	
C5	1.8L L4 F/I	33-2911	
C5	2.0L L4 DSL	33-2928	
C5	2.0L L4 F/I	33-2911	
C5	3.0L V6 F/I	33-2911	
C6	3.0L V6 F/I	33-2911	
C8	2.0L L4 DSL	33-2626	
C8	2.0L L4 F/I	33-2539	
C8	2.2L L4 DSL	33-2626	
C-Crosser	2.2L L4 DSL	33-2392	
C-Crosser	2.4L L4 F/I	33-2392	
Jumper	2.2L L4 DSL	E-9283	
Jumper	3.0L V6 DSL	E-9283	
Jumpy	1.6L L4 DSL	33-2929	
Jumpy	2.0L L4 DSL	33-2626	
Jumpy	2.0L L4 F/I	33-2626	
Nemo	1.4L L4 DSL	33-2840	
Nemo	1.4L L4 F/I	33-2299	
Xsara Picasso	1.6L L4 DSL	33-2847 ♦	
Xsara Picasso	1.6L L4 F/I - 109BHP	33-2937 ♦	

Vehicle	Engine Type	Air Filter	Oil Filter
<b>2008 CITROEN</b>			
Berlingo	1.6L L4 DSL	33-2847 ♦	
Berlingo	1.6L L4 F/I	33-2937 ♦	
C1	1.0L L3 F/I	33-2131 ♦	
C1	1.4L L4 DSL	33-2840	
C2	1.1L L4 F/I	33-2844 ♦	
C2	1.4L L4 DSL	33-2840 ♦	
C2	1.4L L4 F/I	33-2844 ♦	
C2	1.6L L4 DSL	33-2847 ♦	
C2	1.6L L4 F/I	33-2844 ♦	
C2	1.6L L4 F/I	33-2844 ♦	
C3	1.1L L4 F/I	33-2844 ♦	

\*Indicates 2 filters required      ♦ - Intake kit available      Applications updated daily at [knfilters.com](http://knfilters.com) ®

**Partial Listing - Complete List of Vehicles and Applications at [knfilters.com](http://knfilters.com)**

# CITROEN

# AIR & OIL FILTERS

Vehicle	Engine Type	Air Filter	Oil Filter	Vehicle	Engine Type	Air Filter	Oil Filter
<b>2008 CITROEN</b>				<b>2007 CITROEN</b>			
C3	1.4L L4 DSL - 16v	33-2847 ♦		C5	2.0L L4 DSL	33-2928	
C3	1.4L L4 DSL - 8v	33-2840 ♦		C5	2.0L L4 F/I	33-2911	
C3	1.4L L4 F/I	33-2844 ♦		C5	3.0L V6 F/I	33-2911	
C3	1.6L L4 DSL	33-2847 ♦		C6	3.0L V6 F/I	33-2911	
C3	1.6L L4 F/I	33-2844 ♦		C8	2.0L L4 DSL	33-2626	
C4	1.4L L4 F/I	33-2916		C8	2.0L L4 F/I	33-2539	
C4	1.6L L4 DSL	33-2847 ♦		C8	2.2L L4 DSL - from 10/07	33-2626	
C4	1.6L L4 F/I - Non-Turbo	33-2941 ♦		C8	2.2L L4 DSL - to 9/07	33-2539	
C4	1.6L L4 F/I - to 9/08	33-2937 ♦		C8	3.0L V6 F/I	33-2539	
C4	1.6L L4 F/I - Turbo	33-2936 ♦		C-Crosser	2.4L L4 F/I	33-2392	
C4	2.0L L4 F/I - 140BHP	33-2957 ♦		Jumper	2.2L L4 DSL	E-9283	
C4 Picasso	1.6L L4 DSL	33-2847 ♦		Jumper	3.0L V6 DSL	E-9283	
C4 Picasso	1.6L L4 F/I - exc. Turbo	33-2941 ♦		Jumpy	1.6L L4 DSL	33-2929	
C4 Picasso	1.6L L4 F/I - Turbo	33-2936 ♦		Jumpy	2.0L L4 DSL	33-2626	
C4 Picasso	1.8L L4 F/I	33-2957 ♦		Jumpy	2.0L L4 F/I	33-2626	
C4 Picasso	2.0L L4 F/I	33-2957 ♦		Nemo	1.4L L4 DSL	33-2840	
C5	1.6L L4 DSL	33-2929 ♦		Xsara Picasso	1.6L L4 DSL	33-2847 ♦	
C5	1.8L L4 F/I	33-2911		Xsara Picasso	1.6L L4 F/I	33-2937 ♦	
C5	2.0L L4 DSL	33-2928		<b>2006 CITROEN</b>			
C5	2.0L L4 F/I	33-2911		Berlingo	1.1L L4 F/I	33-2844	
C5	3.0L V6 F/I	33-2911		Berlingo	1.4L L4 F/I	33-2844	
C6	3.0L V6 F/I	33-2911		Berlingo	1.6L L4 DSL	33-2847 ♦	
C8	2.0L L4 DSL	33-2626		Berlingo	1.6L L4 F/I	33-2844 ♦	
C8	2.0L L4 F/I	33-2539		C1	1.0L L3 F/I	33-2131 ♦	
C8	2.2L L4 DSL	33-2626		C1	1.4L L4 DSL	33-2840	
C8	3.0L V6 F/I	33-2539		C2	1.1L L4 F/I	33-2844 ♦	
C-Crosser	2.2L L4 DSL	33-2392		C2	1.4L L4 DSL	33-2840 ♦	
C-Crosser	2.4L L4 F/I	33-2392		C2	1.4L L4 F/I	33-2844 ♦	
Jumper	2.2L L4 DSL	E-9283		C2	1.6L L4 DSL	33-2847 ♦	
Jumper	3.0L V6 DSL	E-9283		C2	1.6L L4 F/I	33-2844 ♦	
Jumpy	1.6L L4 DSL	33-2929		C3	1.1L L4 F/I	33-2844 ♦	
Jumpy	2.0L L4 DSL	33-2626		C3	1.4L L4 DSL - 16v	33-2847 ♦	
Jumpy	2.0L L4 F/I	33-2626		C3	1.4L L4 DSL - 8v	33-2840 ♦	
Nemo	1.4L L4 DSL	33-2840		C3	1.4L L4 F/I	33-2844 ♦	
Nemo	1.4L L4 F/I	33-2299		C3	1.6L L4 DSL	33-2847	
Xsara Picasso	1.6L L4 DSL	33-2847 ♦		C3	1.6L L4 F/I	33-2844 ♦	
Xsara Picasso	1.6L L4 F/I	33-2937 ♦		C4	1.4L L4 F/I	33-2916	
<b>2007 CITROEN</b>				C4	1.6L L4 DSL	33-2847 ♦	
Berlingo	1.4L L4 F/I	33-2844		C4	1.6L L4 F/I	33-2937 ♦	
Berlingo	1.6L L4 DSL	33-2847 ♦		C4	2.0L L4 F/I - 140BHP	33-2957 ♦	
Berlingo	1.6L L4 F/I	33-2844 ♦		C4 Picasso	1.6L L4 DSL	33-2847 ♦	
C1	1.0L L3 F/I	33-2131 ♦		C4 Picasso	1.8L L4 F/I	33-2957 ♦	
C1	1.4L L4 DSL	33-2840		C4 Picasso	2.0L L4 F/I	33-2957 ♦	
C2	1.1L L4 F/I	33-2844 ♦		C5	1.6L L4 DSL	33-2929 ♦	
C2	1.4L L4 DSL	33-2840 ♦		C5	1.8L L4 F/I	33-2911	
C2	1.4L L4 F/I	33-2844 ♦		C5	2.0L L4 DSL	33-2928	
C2	1.6L L4 DSL	33-2847 ♦		C5	2.0L L4 F/I	33-2911	
C2	1.6L L4 F/I	33-2844 ♦		C5	3.0L V6 F/I	33-2911	
C3	1.1L L4 F/I	33-2844 ♦		C6	3.0L V6 F/I	33-2911	
C3	1.4L L4 DSL - 16v	33-2847 ♦		C8	2.0L L4 DSL - from 6/06	33-2539	
C3	1.4L L4 DSL - 8v	33-2840 ♦		C8	2.0L L4 DSL - from 7/06	33-2626	
C3	1.4L L4 F/I	33-2844 ♦		C8	2.0L L4 F/I	33-2539	
C3	1.6L L4 DSL	33-2847		C8	2.2L L4 DSL	33-2539	
C3	1.6L L4 F/I	33-2844 ♦		C8	3.0L V6 F/I	33-2539	
C4	1.4L L4 F/I	33-2916		Jumper	2.0L L4 DSL	E-9231-1	
C4	1.6L L4 DSL	33-2847 ♦		Jumper	2.0L L4 F/I	E-9231-1	
C4	1.6L L4 F/I	33-2937 ♦		Jumper	2.2L L4 DSL	E-9283	
C4	2.0L L4 F/I - 140BHP	33-2957 ♦		Jumper	2.8L L4 DSL	E-9231-1	
C4 Picasso	1.6L L4 DSL	33-2847 ♦		Jumper	3.0L V6 DSL	E-9283	
C4 Picasso	1.8L L4 F/I	33-2957 ♦		Jumpy	1.6L L4 F/I	33-2539	
C4 Picasso	2.0L L4 F/I	33-2957 ♦		Jumpy	1.9L L4 DSL	33-2539	
C5	1.6L L4 DSL	33-2929 ♦		Jumpy	2.0L L4 DSL	33-2539	
C5	1.8L L4 F/I	33-2911					

\*Indicates 2 filters required

♦ - Intake kit available

Applications updated daily at [knfilters.com](http://knfilters.com) ®

# AIR & OIL FILTERS

# CITROEN

Vehicle	Engine Type	Air Filter	Oil Filter	Vehicle	Engine Type	Air Filter	Oil Filter
<b>2006 CITROEN</b>				<b>2004 CITROEN</b>			
Jumpy	2.0L L4 F/I	33-2539		Berlingo	1.4L L4 F/I	33-2844	
Xsara Picasso	1.6L L4 DSL	33-2847 ♦		Berlingo	1.6L L4 F/I	33-2844 ♦	
Xsara Picasso	1.6L L4 F/I	33-2937 ♦		Berlingo	1.9L L4 DSL	E-9252	
Xsara Picasso	1.8L L4 F/I	33-2813 ♦		Berlingo	2.0L L4 DSL	33-2813	
Xsara Picasso	2.0L L4 DSL	33-2813 ♦		C2	1.1L L4 F/I	33-2844 ♦	
Xsara Picasso	2.0L L4 F/I	33-2813		C2	1.4L L4 DSL	33-2840 ♦	
<b>2005 CITROEN</b>				C2	1.4L L4 F/I	33-2844 ♦	
Berlingo	1.1L L4 F/I	33-2844		C2	1.6L L4 F/I	33-2844 ♦	
Berlingo	1.4L L4 F/I	33-2844		C3	1.1L L4 F/I	33-2844 ♦	
Berlingo	1.6L L4 DSL	33-2847 ♦		C3	1.4L L4 DSL - 16v	33-2847 ♦	
Berlingo	1.6L L4 F/I	33-2844 ♦		C3	1.4L L4 DSL - 8v	33-2840 ♦	
Berlingo	1.9L L4 DSL	E-9252		C3	1.4L L4 F/I	33-2844 ♦	
Berlingo	2.0L L4 DSL	33-2813		C3	1.6L L4 F/I	33-2844 ♦	
C1	1.0L L3 F/I	33-2131 ♦		C4	1.4L L4 F/I	33-2916	
C1	1.4L L4 DSL	33-2840		C4	1.6L L4 DSL	33-2847 ♦	
C2	1.1L L4 F/I	33-2844 ♦		C4	1.6L L4 F/I	33-2937 ♦	
C2	1.4L L4 DSL	33-2840 ♦		C4	2.0L L4 F/I - 140BHP	33-2957 ♦	
C2	1.4L L4 F/I	33-2844 ♦		C5	1.6L L4 DSL	33-2929	
C2	1.6L L4 DSL	33-2847 ♦		C5	1.8L L4 F/I - from 11/04	33-2911	
C2	1.6L L4 F/I	33-2844 ♦		C5	1.8L L4 F/I - to 10/04	33-2539	
C3	1.1L L4 F/I	33-2844 ♦		C5	2.0L L4 DSL - from 11/04	33-2928	
C3	1.4L L4 DSL - 16v	33-2847 ♦		C5	2.0L L4 DSL - to 10/04	33-2539	
C3	1.4L L4 DSL - 8v	33-2840 ♦		C5	2.0L L4 F/I - from 11/04	33-2911	
C3	1.4L L4 F/I	33-2844 ♦		C5	2.0L L4 F/I - to 10/04	33-2539	
C3	1.6L L4 DSL	33-2847		C5	2.2L L4 DSL - to 10/04	33-2539	
C3	1.6L L4 F/I	33-2844 ♦		C5	3.0L V6 F/I - from 11/04	33-2911	
C4	1.4L L4 F/I	33-2916		C5	3.0L V6 F/I - to 10/04	33-2539	
C4	1.6L L4 DSL	33-2847 ♦		C8	2.0L L4 DSL	33-2539	
C4	1.6L L4 F/I	33-2937 ♦		C8	2.0L L4 F/I	33-2539	
C4	2.0L L4 F/I - 140BHP	33-2957 ♦		C8	2.2L L4 DSL	33-2539	
C5	1.6L L4 DSL	33-2929 ♦		C8	2.2L L4 F/I	33-2539	
C5	1.8L L4 F/I	33-2911		C8	3.0L V6 F/I	33-2539	
C5	2.0L L4 DSL	33-2928		C8	1.6L L4 F/I	33-2539	
C5	2.0L L4 F/I	33-2911		Expert	1.9L L4 DSL - Turbo	33-2539	
C5	3.0L V6 F/I	33-2911		Expert	2.0L L4 DSL - HDi	33-2539	
C6	3.0L V6 F/I	33-2911		Expert	2.0L L4 F/I - 16v	33-2539	
C8	2.0L L4 DSL	33-2539		Jumper	2.0L L4 DSL	E-9231-1	
C8	2.0L L4 F/I	33-2539		Jumper	2.0L L4 F/I	E-9231-1	
C8	2.2L L4 DSL	33-2539		Jumper	2.2L L4 DSL	E-9231-1	
C8	2.2L L4 F/I	33-2539		Jumper	2.8L L4 DSL	E-9231-1	
C8	3.0L V6 F/I	33-2539		Jumpy	1.6L L4 F/I	33-2539	
Jumper	2.0L L4 DSL	E-9231-1		Jumpy	1.9L L4 DSL	33-2539	
Jumper	2.0L L4 F/I	E-9231-1		Jumpy	2.0L L4 DSL	33-2539	
Jumper	2.2L L4 DSL	E-9231-1		Jumpy	2.0L L4 F/I	33-2539	
Jumper	2.8L L4 DSL	E-9231-1		Saxo	1.6L L4 F/I - 8v	33-2227 ♦	
Jumpy	1.6L L4 F/I	33-2539		Xsara	1.4L L4 DSL	33-2840	
Jumpy	1.9L L4 DSL	33-2539		Xsara	1.4L L4 F/I	33-2813	
Jumpy	2.0L L4 DSL	33-2539		Xsara	1.6L L4 F/I	33-2813 ♦	
Jumpy	2.0L L4 F/I	33-2539		Xsara	1.9L L4 DSL	33-2813	
Xsara	1.4L L4 DSL	33-2840		Xsara	2.0L L4 DSL	33-2813	
Xsara	1.4L L4 F/I	33-2813		Xsara	2.0L L4 F/I - 136BHP	33-2813	
Xsara	1.6L L4 F/I	33-2813 ♦		Xsara Picasso	1.6L L4 DSL	33-2847	
Xsara	1.9L L4 DSL	33-2813		Xsara Picasso	1.6L L4 F/I	33-2813 ♦	
Xsara	2.0L L4 DSL	33-2813		Xsara Picasso	1.8L L4 F/I	33-2813 ♦	
Xsara	2.0L L4 F/I - 136BHP	33-2813		Xsara Picasso	2.0L L4 DSL	33-2813 ♦	
Xsara Picasso	1.6L L4 DSL	33-2847 ♦		Xsara Picasso	2.0L L4 F/I	33-2813	
Xsara Picasso	1.6L L4 F/I - from 9/05	33-2937 ♦		<b>2003 CITROEN</b>			
Xsara Picasso	1.6L L4 F/I - to 8/05	33-2813 ♦		Berlingo	1.1L L4 F/I	33-2844	
Xsara Picasso	1.8L L4 F/I	33-2813 ♦		Berlingo	1.4L L4 F/I	33-2844	
Xsara Picasso	2.0L L4 DSL	33-2813 ♦		Berlingo	1.6L L4 F/I	33-2844	
Xsara Picasso	2.0L L4 F/I	33-2813		Berlingo	1.9L L4 DSL	E-9252	
<b>2004 CITROEN</b>				Berlingo	2.0L L4 DSL	33-2813	
Berlingo	1.1L L4 F/I	33-2844					

\*Indicates 2 filters required

♦ - Intake kit available

Applications updated daily at [knfilters.com](http://knfilters.com) ®

Partial Listing - Complete List of Vehicles and Applications at [knfilters.com](http://knfilters.com)

# CITROEN

# AIR & OIL FILTERS

Vehicle	Engine Type	Air Filter	Oil Filter	Vehicle	Engine Type	Air Filter	Oil Filter
<b>2003 CITROEN</b>				<b>2002 CITROEN</b>			
C2	1.1L L4 F/I	33-2844 ♦		C3	1.4L L4 DSL - 16v	33-2847 ♦	
C2	1.4L L4 DSL	33-2840 ♦		C3	1.4L L4 DSL - 8v	33-2840 ♦	
C2	1.4L L4 F/I	33-2844 ♦		C3	1.4L L4 F/I	33-2844 ♦	
C2	1.6L L4 F/I	33-2844 ♦		C3	1.6L L4 F/I	33-2844 ♦	
C3	1.1L L4 F/I	33-2844 ♦		C5	1.8L L4 F/I	33-2539	
C3	1.4L L4 DSL - 16v	33-2847 ♦		C5	2.0L L4 DSL	33-2539	
C3	1.4L L4 DSL - 8v	33-2840 ♦		C5	2.0L L4 F/I	33-2539	
C3	1.4L L4 F/I	33-2844 ♦		C5	2.2L L4 DSL	33-2539	
C3	1.6L L4 F/I	33-2844 ♦		C5	3.0L V6 F/I	33-2539	
C5	1.8L L4 F/I	33-2539		C8	2.0L L4 DSL	33-2539	
C5	2.0L L4 DSL	33-2539		C8	2.0L L4 F/I	33-2539	
C5	2.0L L4 F/I	33-2539		C8	2.2L L4 DSL	33-2539	
C5	2.2L L4 DSL	33-2539		C8	2.2L L4 F/I	33-2539	
C5	3.0L V6 F/I	33-2539		C8	3.0L V6 F/I	33-2539	
C8	2.0L L4 DSL	33-2539		Evasion	1.8L L4 F/I	33-2539	
C8	2.0L L4 F/I	33-2539		Evasion	1.9L L4 DSL	33-2539	
C8	2.2L L4 DSL	33-2539		Evasion	2.0L L4 DSL	33-2539	
C8	2.2L L4 F/I	33-2539		Evasion	2.0L L4 F/I	33-2539	
C8	2.2L L4 F/I	33-2539		Evasion	2.1L L4 DSL	33-2539	
C8	3.0L V6 F/I	33-2539		Expert	1.6L L4 F/I	33-2539	
Expert	1.6L L4 F/I	33-2539		Expert	1.9L L4 DSL - Turbo	33-2539	
Expert	1.9L L4 DSL - Turbo	33-2539		Expert	2.0L L4 DSL - HDi	33-2539	
Expert	2.0L L4 DSL - HDi	33-2539		Expert	2.0L L4 F/I - 16v	33-2539	
Expert	2.0L L4 F/I - 16v	33-2539		Expert	2.0L L4 F/I - 16v	33-2539	
Jumper	2.0L L4 DSL	E-9231-1		Jumper	1.9L L4 DSL - Non-Turbo	E-9033	
Jumper	2.0L L4 F/I	E-9231-1		Jumper	1.9L L4 DSL - Turbo	E-9231-1	
Jumper	2.2L L4 DSL	E-9231-1		Jumper	2.0L L4 DSL	E-9231-1	
Jumper	2.8L L4 DSL	E-9231-1		Jumper	2.0L L4 F/I	E-9231-1	
Jumpy	1.6L L4 F/I	33-2539		Jumper	2.2L L4 DSL	E-9231-1	
Jumpy	1.9L L4 DSL	33-2539		Jumper	2.5L L4 DSL - Non-Turbo	E-9033	
Jumpy	2.0L L4 DSL	33-2539		Jumper	2.5L L4 DSL - Turbo	E-9231-1	
Jumpy	2.0L L4 F/I	33-2539		Jumper	2.8L L4 DSL	E-9231-1	
Saxo	1.0L L4 F/I	E-9121		Jumpy	1.6L L4 F/I	33-2539	
Saxo	1.1L L4 F/I	E-2868 ♦		Jumpy	1.9L L4 DSL	33-2539	
Saxo	1.4L L4 F/I	E-2868 ♦		Jumpy	2.0L L4 DSL	33-2539	
Saxo	1.5L L4 DSL	E-9249		Jumpy	2.0L L4 F/I	33-2539	
Saxo	1.6L L4 F/I - 8v	33-2772 ♦		Saxo	1.0L L4 F/I	E-9121	
Xantia	1.8L L4 F/I - 16v	33-2539		Saxo	1.1L L4 F/I	E-2868 ♦	
Xantia	2.0L L4 DSL	33-2539		Saxo	1.4L L4 F/I	E-2868 ♦	
Xantia	2.0L L4 F/I - 16v	33-2539		Saxo	1.5L L4 DSL	E-9249	
Xsara	1.4L L4 DSL	33-2840		Saxo	1.6L L4 F/I - 8v	33-2772 ♦	
Xsara	1.4L L4 F/I	33-2813		Saxo	1.8L L4 F/I - 16v	33-2539	
Xsara	1.6L L4 F/I	33-2813 ♦		Xantia	2.0L L4 DSL	33-2539	
Xsara	1.9L L4 DSL	33-2813		Xantia	2.0L L4 F/I - 16v	33-2539	
Xsara	2.0L L4 DSL	33-2813		Xsara	1.4L L4 F/I	33-2813	
Xsara	2.0L L4 F/I - 136BHP	33-2813		Xsara	1.6L L4 F/I	33-2813 ♦	
Xsara Picasso	1.6L L4 F/I	33-2813 ♦		Xsara	1.9L L4 DSL	33-2813	
Xsara Picasso	1.8L L4 F/I	33-2813 ♦		Xsara	2.0L L4 DSL	33-2813	
Xsara Picasso	2.0L L4 DSL	33-2813 ♦		Xsara	2.0L L4 F/I - 136BHP	33-2813 ♦	
Xsara Picasso	2.0L L4 F/I	33-2813		Xsara	2.0L L4 F/I - 163BHP	E-2876 ♦	
Xsara Picasso	3.0L V6 F/I - Non-US, 210BHP, 24v	33-2813		Xsara Picasso	1.6L L4 F/I	33-2813 ♦	
Xsara Picasso				Xsara Picasso	1.8L L4 F/I	33-2813 ♦	
Xsara Picasso				Xsara Picasso	2.0L L4 DSL	33-2813 ♦	
<b>2002 CITROEN</b>				<b>2001 CITROEN</b>			
Berlingo	1.1L L4 F/I - from 11/02	33-2844		Berlingo	1.1L L4 F/I	E-9183	
Berlingo	1.1L L4 F/I - to 10/02	E-9183		Berlingo	1.4L L4 F/I	E-9241	
Berlingo	1.4L L4 F/I - from 11/02	33-2844		Berlingo	1.6L L4 F/I	33-2844	
Berlingo	1.4L L4 F/I - to 10/02	E-9241		Berlingo	1.8L L4 DSL	E-9252	
Berlingo	1.6L L4 F/I	33-2844		Berlingo	1.8L L4 F/I	33-2673	
Berlingo	1.8L L4 DSL	E-9252		Berlingo	1.9L L4 DSL	E-9252	
Berlingo	1.8L L4 F/I	33-2673		Berlingo	2.0L L4 DSL	33-2173	
Berlingo	1.9L L4 DSL	E-9252		Berlingo	2.0L L4 DSL - from 11/02	33-2173	
Berlingo	2.0L L4 DSL - from 11/02	33-2813		Berlingo	2.0L L4 DSL - to 10/02	33-2173	
Berlingo	2.0L L4 DSL - to 10/02	33-2173		C5	1.8L L4 F/I	33-2539	
C3	1.1L L4 F/I	33-2844 ♦		C5	2.0L L4 DSL	33-2539	

\*Indicates 2 filters required

♦ - Intake kit available

Applications updated daily at [knfilters.com](http://knfilters.com) ®

# AIR & OIL FILTERS

# CITROEN

Vehicle	Engine Type	Air Filter	Oil Filter	Vehicle	Engine Type	Air Filter	Oil Filter
<b>2001 CITROEN</b>				<b>2000 CITROEN</b>			
C5	2.0L L4 F/I	33-2539		Jumper	2.5L L4 DSL - Non-Turbo	E-9033	
C5	2.2L L4 DSL	33-2539		Jumper	2.5L L4 DSL - Turbo	E-9231-1	
C5	3.0L V6 F/I	33-2539		Jumper	2.8L L4 DSL	E-9231-1	
Evasion	1.8L L4 F/I	33-2539		Jumpy	1.6L L4 F/I	33-2539	
Evasion	1.9L L4 DSL	33-2539		Jumpy	1.9L L4 DSL	33-2539	
Evasion	2.0L L4 DSL	33-2539		Jumpy	2.0L L4 DSL	33-2539	
Evasion	2.0L L4 F/I	33-2539		Jumpy	2.0L L4 F/I	33-2539	
Evasion	2.1L L4 DSL	33-2539		Saxo	1.0L L4 F/I	E-9121	
Expert	1.6L L4 F/I	33-2539		Saxo	1.1L L4 F/I - from 10/00	E-2868 ♦	
Expert	1.9L L4 DSL - Turbo	33-2539		Saxo	1.1L L4 F/I - to 9/00	E-9183 ♦	
Expert	2.0L L4 DSL - HDi	33-2539		Saxo	1.4L L4 F/I - from 10/00	E-2868 ♦	
Expert	2.0L L4 F/I - 16v	33-2539		Saxo	1.4L L4 F/I - to 9/00	E-9241 ♦	
Jumper	1.9L L4 DSL - Non-Turbo	E-9033		Saxo	1.5L L4 DSL	E-9249	
Jumper	1.9L L4 DSL - Turbo	E-9231-1		Saxo	1.6L L4 F/I - 8v	33-2772 ♦	
Jumper	2.0L L4 DSL	E-9231-1		Saxo	1.6L L4 F/I - VTR, 8v, to 9/00	E-9183 ♦	
Jumper	2.0L L4 F/I	E-9231-1		Xantia	1.8L L4 F/I - 16v	33-2539	
Jumper	2.5L L4 DSL - Non-Turbo	E-9033		Xantia	2.0L L4 DSL	33-2539	
Jumper	2.5L L4 DSL - Turbo	E-9231-1		Xantia	2.0L L4 F/I - 16v	33-2539	
Jumper	2.8L L4 DSL	E-9231-1		Xantia	3.0L V6 F/I	33-2539	
Jumpy	1.6L L4 F/I	33-2539		XM	2.0L L4 F/I	33-2648	
Jumpy	1.9L L4 DSL	33-2539		XM	2.1L L4 DSL	33-2648	
Jumpy	2.0L L4 DSL	33-2539		XM	2.5L L4 DSL	33-2648	
Jumpy	2.0L L4 F/I	33-2539		XM	3.0L V6 F/I	33-2648	
Saxo	1.0L L4 F/I	E-9121		Xsara	1.4L L4 F/I - from 9/00	33-2813 ♦	
Saxo	1.1L L4 F/I	E-2868 ♦		Xsara	1.4L L4 F/I - to 8/00	E-9241 ♦	
Saxo	1.4L L4 F/I	E-2868 ♦		Xsara	1.6L L4 F/I - 16v	33-2813 ♦	
Saxo	1.5L L4 DSL	E-9249		Xsara	1.6L L4 F/I - 8v	E-9183 ♦	
Saxo	1.6L L4 F/I - 8v	33-2227 ♦		Xsara	1.8L L4 F/I - 16v	33-2781 ♦	
Xantia	1.8L L4 F/I - 16v	33-2539		Xsara	1.8L L4 F/I - 8v	33-2673 ♦	
Xantia	2.0L L4 DSL	33-2539		Xsara	1.9L L4 DSL - from 9/00	33-2813	
Xantia	2.0L L4 F/I - 16v	33-2539		Xsara	1.9L L4 DSL - Non-Turbo, to 8/00	E-9252	
Xantia	3.0L V6 F/I	33-2539		Xsara	1.9L L4 DSL - Turbo, to 9/00	E-9256	
Xsara	1.4L L4 F/I	33-2813		Xsara	2.0L L4 DSL	33-2813	
Xsara	1.6L L4 F/I	33-2813 ♦		Xsara	2.0L L4 F/I - 132BHP	33-2781 ♦	
Xsara	1.9L L4 DSL	33-2813		Xsara	2.0L L4 F/I - 136BHP	33-2813 ♦	
Xsara	2.0L L4 DSL	33-2813		Xsara	2.0L L4 F/I - 163BHP	E-2876 ♦	
Xsara	2.0L L4 F/I - 136BHP	33-2813 ♦		Xsara Picasso	1.6L L4 F/I	33-2813 ♦	
Xsara	2.0L L4 F/I - 163BHP	E-2876 ♦		Xsara Picasso	1.8L L4 F/I	33-2813 ♦	
Xsara Picasso	1.6L L4 F/I	33-2813 ♦		Xsara Picasso	2.0L L4 DSL	33-2813 ♦	
Xsara Picasso	1.8L L4 F/I	33-2813 ♦					
Xsara Picasso	2.0L L4 DSL	33-2813 ♦					
<b>2000 CITROEN</b>				<b>1999 CITROEN</b>			
Berlingo	1.1L L4 F/I	E-9183		Berlingo	1.1L L4 F/I	E-9183	
Berlingo	1.4L L4 F/I	E-9241		Berlingo	1.4L L4 F/I	E-9241	
Berlingo	1.6L L4 F/I	33-2844		Berlingo	1.8L L4 DSL	E-9252	
Berlingo	1.8L L4 DSL	E-9252		Berlingo	1.8L L4 F/I	33-2673	
Berlingo	1.8L L4 F/I	33-2673		Berlingo	1.9L L4 DSL	E-9252	
Berlingo	1.9L L4 DSL	E-9252		Berlingo	2.0L L4 DSL	33-2173	
Berlingo	2.0L L4 DSL	33-2173		Evasion	1.8L L4 F/I	33-2539	
Evasion	1.8L L4 F/I	33-2539		Evasion	1.9L L4 DSL	33-2539	
Evasion	1.9L L4 DSL	33-2539		Evasion	2.0L L4 DSL	33-2539	
Evasion	2.0L L4 DSL	33-2539		Evasion	2.0L L4 F/I	33-2539	
Evasion	2.0L L4 F/I	33-2539		Evasion	2.1L L4 DSL	33-2539	
Evasion	2.1L L4 DSL	33-2539		Expert	1.6L L4 F/I	33-2539	
Expert	1.6L L4 F/I	33-2539		Expert	1.9L L4 DSL - Turbo	33-2539	
Expert	1.9L L4 DSL - Turbo	33-2539		Expert	2.0L L4 DSL - HDi	33-2539	
Expert	2.0L L4 DSL - HDi	33-2539		Expert	2.0L L4 F/I - 16v	33-2539	
Expert	2.0L L4 F/I - 16v	33-2539		Jumper	1.9L L4 DSL - Non-Turbo	E-9033	
Jumper	1.9L L4 DSL - Non-Turbo	E-9033		Jumper	1.9L L4 DSL - Turbo	E-9231-1	
Jumper	1.9L L4 DSL - Turbo	E-9231-1		Jumper	2.0L L4 F/I	E-9231-1	
Jumper	2.0L L4 F/I	E-9231-1		Jumper	2.5L L4 DSL - Non-Turbo	E-9033	

\*Indicates 2 filters required      ♦ - Intake kit available      Applications updated daily at [knfilters.com](http://knfilters.com) ®

**Partial Listing - Complete List of Vehicles and Applications at [knfilters.com](http://knfilters.com)**

# CITROEN

# AIR & OIL FILTERS

Vehicle	Engine Type	Air Filter	Oil Filter	Vehicle	Engine Type	Air Filter	Oil Filter
<b>1999 CITROEN</b>				<b>1998 CITROEN</b>			
Jumper	2.5L L4 DSL - Turbo	E-9231-1		Xantia	1.8L L4 F/I - 8v	33-2673	
Jumpy	1.6L L4 F/I	33-2539		Xantia	1.9L L4 DSL	33-2539	
Jumpy	1.9L L4 DSL	33-2539		Xantia	2.0L L4 F/I - 16v	33-2539	
Jumpy	2.0L L4 DSL	33-2539		Xantia	2.0L L4 F/I - 8v	33-2673	
Saxo	1.0L L4 F/I	E-9121 ♦		Xantia	2.1L L4 DSL	33-2539	
Saxo	1.1L L4 F/I	E-9183 ♦		Xantia	3.0L V6 F/I	33-2539	
Saxo	1.4L L4 F/I	E-9241 ♦		XM	2.0L L4 F/I	33-2648	
Saxo	1.5L L4 DSL	E-9249 ♦		XM	2.1L L4 DSL	33-2648	
Saxo	1.6L L4 F/I - 8v, from 4/99	33-2772 ♦		XM	2.5L L4 DSL	33-2648	
Saxo	1.6L L4 F/I - VTR, 8v, from 10/99	E-9183 ♦		XM	3.0L V6 F/I	33-2648	
Xantia	1.8L L4 F/I - 16v	33-2539		Xsara	1.4L L4 F/I	E-9241 ♦	
Xantia	2.0L L4 DSL	33-2539		Xsara	1.6L L4 F/I	E-9183	
Xantia	2.0L L4 F/I - 16v	33-2539		Xsara	1.8L L4 F/I - 16v	33-2781 ♦	
Xantia	2.1L L4 DSL	33-2539		Xsara	1.8L L4 F/I - 8v	33-2673 ♦	
Xantia	3.0L V6 F/I	33-2539		Xsara	1.9L L4 DSL - Non-Turbo	E-9252	
XM	2.0L L4 F/I	33-2648		Xsara	1.9L L4 DSL - Turbo, from 3/98	E-9256	
XM	2.1L L4 DSL	33-2648		Xsara	1.9L L4 DSL - Turbo, to 2/98	E-9000	
XM	2.5L L4 DSL	33-2648		Xsara	2.0L L4 F/I - 132BHP	33-2781 ♦	
XM	3.0L V6 F/I	33-2648		Xsara	2.0L L4 F/I - 163BHP	E-2876 ♦	
Xsara	1.4L L4 F/I	E-9241 ♦		ZX	1.8L L4 F/I	33-2781	
Xsara	1.6L L4 F/I	E-9183		<b>1997 CITROEN</b>			
Xsara	1.8L L4 F/I - 16v	33-2781 ♦		AX	1.0L L4 CARB - 41/45BHP	E-9121	
Xsara	1.8L L4 F/I - 8v	33-2673 ♦		AX	1.0L L4 CARB - 50BHP	E-9183	
Xsara	1.9L L4 DSL - Non-Turbo	E-9252		AX	1.1L L4 F/I	E-9183 ♦	
Xsara	1.9L L4 DSL - Turbo	E-9256		AX	1.4L L4 DSL	33-2539	
Xsara	2.0L L4 DSL	33-2813		AX	1.4L L4 F/I	E-9183	
Xsara	2.0L L4 F/I - 132BHP	33-2781 ♦		AX	1.5L L4 DSL	E-9249	
Xsara	2.0L L4 F/I - 163BHP	E-2876 ♦		Berlingo	1.1L L4 F/I	E-9183	
Xsara Picasso	2.0L L4 DSL	33-2813 ♦		Berlingo	1.4L L4 F/I	E-9241	
<b>1998 CITROEN</b>				Berlingo	1.8L L4 DSL	E-9252	
AX	1.0L L4 CARB - 41/45BHP	E-9121		Berlingo	1.8L L4 F/I	33-2673	
AX	1.0L L4 CARB - 50BHP	E-9183		Berlingo	1.9L L4 DSL	E-9252	
Berlingo	1.1L L4 F/I	E-9183		Berlingo	1.8L L4 DSL	E-9184	
Berlingo	1.4L L4 F/I	E-9241		Berlingo	1.9L L4 DSL	33-2539	
Berlingo	1.8L L4 DSL	E-9252		Berlingo	2.0L L4 DSL	33-2539	
Berlingo	1.8L L4 F/I	33-2673		Berlingo	2.0L L4 F/I	33-2539	
Berlingo	1.9L L4 DSL	E-9252		Berlingo	2.1L L4 DSL	33-2539	
Berlingo	1.9L L4 F/I	33-2539		Berlingo	1.6L L4 F/I	33-2539	
Berlingo	1.9L L4 DSL	33-2539		Berlingo	1.9L L4 DSL - Turbo	33-2539	
Berlingo	1.9L L4 F/I	33-2539		Berlingo	2.0L L4 DSL - HDi	33-2539	
Berlingo	2.0L L4 DSL	33-2539		Berlingo	2.0L L4 F/I - 16v	33-2539	
Berlingo	2.0L L4 F/I	33-2539		Berlingo	2.5L L4 DSL - Non-Turbo	E-9033	
Berlingo	2.1L L4 DSL	33-2539		Berlingo	2.5L L4 DSL - Turbo	E-9231-1	
Berlingo	2.5L L4 DSL - Turbo	E-9231-1		Berlingo	1.6L L4 F/I	33-2539	
Berlingo	1.6L L4 F/I	33-2539		Berlingo	1.9L L4 DSL	33-2539	
Berlingo	1.9L L4 DSL	33-2539		Berlingo	1.0L L4 F/I	E-9121 ♦	
Berlingo	2.0L L4 F/I - 16v	33-2539		Berlingo	1.1L L4 F/I	E-9183 ♦	
Berlingo	1.9L L4 DSL - Non-Turbo	E-9033		Berlingo	1.4L L4 F/I	E-9241 ♦	
Berlingo	1.9L L4 DSL - Turbo	E-9231-1		Berlingo	1.5L L4 DSL	E-9249 ♦	
Berlingo	2.0L L4 F/I	E-9231-1		Berlingo	1.6L L4 F/I	E-9183 ♦	
Berlingo	2.5L L4 DSL - Non-Turbo	E-9033		Berlingo	1.6L L4 F/I	33-2673	
Berlingo	2.5L L4 DSL - Turbo	E-9231-1		Berlingo	1.8L L4 F/I - 16v	33-2539	
Berlingo	1.6L L4 F/I	33-2539		Berlingo	1.8L L4 F/I - 8v	33-2673	
Berlingo	1.9L L4 DSL	33-2539		Berlingo	1.9L L4 DSL	33-2539	
Berlingo	1.0L L4 F/I	E-9121 ♦		Berlingo	2.0L L4 F/I - 16v	33-2539	
Berlingo	1.1L L4 F/I	E-9183 ♦		Berlingo	2.0L L4 F/I - 8v	33-2673	
Berlingo	1.4L L4 F/I	E-9241 ♦		Berlingo	2.1L L4 DSL	33-2539	
Berlingo	1.5L L4 DSL	E-9249 ♦		Berlingo	3.0L V6 F/I	33-2539	
Berlingo	1.6L L4 F/I	E-9183 ♦		Berlingo	2.0L L4 F/I	33-2648	
Berlingo	1.6L L4 F/I	33-2673		Berlingo	2.1L L4 DSL	33-2648	
Berlingo	1.8L L4 F/I - 16v	33-2539					

\*Indicates 2 filters required

♦ - Intake kit available

Applications updated daily at [knfilters.com](http://knfilters.com) ®



# AIR & OIL FILTERS

# CITROEN

Vehicle	Engine Type	Air Filter	Oil Filter	Vehicle	Engine Type	Air Filter	Oil Filter
<b>1997 CITROEN</b>				<b>1995 CITROEN</b>			
XM	2.5L L4 DSL	33-2648		AX	1.4L L4 DSL	33-2539	
XM	3.0L V6 F/I	33-2648		AX	1.4L L4 F/I	E-9183	
Xsara	1.4L L4 F/I	E-9241 ♦		AX	1.5L L4 DSL	E-9249	
Xsara	1.6L L4 F/I	E-9183		Xantia	1.6L L4 F/I	33-2673	
Xsara	1.8L L4 F/I - 16v	33-2781 ♦		Xantia	1.8L L4 F/I - 16v	33-2539	
Xsara	1.8L L4 F/I - 8v	33-2673 ♦		Xantia	1.8L L4 F/I - 8v	33-2673	
Xsara	1.9L L4 DSL - Non-Turbo	E-9252		Xantia	1.9L L4 DSL	33-2539	
Xsara	1.9L L4 DSL - Turbo	E-9000		Xantia	2.0L L4 F/I - 8v	33-2673	
Xsara	2.0L L4 F/I	E-2876 ♦		Xantia	2.0L L4 F/I - from 6/95, 16v	33-2539	
ZX	1.1L L4 F/I	E-9183		Xantia	2.0L L4 F/I - to 5/95, 16v	E-9000	
ZX	1.4L L4 F/I	E-9183		Xantia	2.1L L4 DSL	33-2539	
ZX	1.6L L4 F/I	E-9183		XM	2.0L L4 F/I	33-2648	
ZX	1.8L L4 F/I - 16v	33-2781		XM	2.1L L4 DSL	33-2648	
ZX	1.8L L4 F/I - 8v	33-2673		XM	2.5L L4 DSL	33-2648	
ZX	1.9L L4 DSL - Non-Turbo	E-9184		XM	3.0L V6 F/I	33-2648	
ZX	1.9L L4 DSL - Turbo	E-9000		ZX	1.4L L4 F/I	E-9183	
ZX	1.9L L4 F/I	E-9000 ♦		ZX	1.6L L4 F/I	E-9183	
ZX	2.0L L4 F/I - 16v	E-9000 ♦		ZX	1.8L L4 F/I	33-2673 ♦	
ZX	2.0L L4 F/I - 8v	33-2673 ♦		ZX	1.9L L4 DSL - Non-Turbo	E-9184	
<b>1996 CITROEN</b>				ZX	1.9L L4 DSL - Turbo	E-9000	
AX	1.0L L4 CARB - 41/45BHP	E-9121		ZX	1.9L L4 F/I	E-9000 ♦	
AX	1.0L L4 CARB - 50BHP	E-9183		ZX	2.0L L4 F/I - 16v	E-9000 ♦	
AX	1.1L L4 F/I	E-9183 ♦		ZX	2.0L L4 F/I - 8v	33-2673 ♦	
AX	1.4L L4 DSL	33-2539		<b>1994 CITROEN</b>			
AX	1.4L L4 F/I	E-9183		AX	1.0L L4 CARB - 41/45BHP	E-9121	
AX	1.5L L4 DSL	E-9249		AX	1.0L L4 CARB - 50BHP	E-9183	
Berlingo	1.4L L4 F/I	E-9241		AX	1.1L L4 F/I - 54BHP	E-9121 ♦	
Berlingo	1.8L L4 DSL	E-9252		AX	1.1L L4 F/I - 60BHP	E-9183 ♦	
Berlingo	1.9L L4 DSL	E-9252		AX	1.4L L4 DSL	33-2539	
Evasion	1.9L L4 DSL	33-2539		AX	1.4L L4 F/I	E-9183	
Evasion	2.0L L4 F/I	33-2539		AX	1.5L L4 DSL	E-9249	
Saxo	1.0L L4 F/I	E-9121 ♦		BX	1.9L L4 DSL	33-2539	
Saxo	1.1L L4 F/I	E-9183 ♦		BX	1.9L L4 F/I	33-2539 ♦	
Saxo	1.4L L4 F/I	E-9241 ♦		C15	1.8L L4 DSL	E-9184	
Saxo	1.5L L4 DSL	E-9249 ♦		Xantia	1.6L L4 F/I	33-2673	
Saxo	1.6L L4 F/I	E-9183 ♦		Xantia	1.8L L4 F/I	33-2673	
Xantia	1.6L L4 F/I	33-2673		Xantia	1.9L L4 DSL	33-2539	
Xantia	1.8L L4 F/I - 16v	33-2539		Xantia	2.0L L4 F/I - 16v	E-9000	
Xantia	1.8L L4 F/I - 8v	33-2673		Xantia	2.0L L4 F/I - 8v	33-2673	
Xantia	1.9L L4 DSL	33-2539		XM	2.0L L4 F/I	33-2648	
Xantia	2.0L L4 F/I - 16v	33-2539		XM	3.0L V6 F/I	33-2648	
Xantia	2.0L L4 F/I - 8v	33-2673		ZX	1.4L L4 F/I	E-9183	
Xantia	2.1L L4 DSL	33-2539		ZX	1.6L L4 F/I	E-9183	
XM	2.0L L4 F/I	33-2648		ZX	1.8L L4 F/I	33-2673 ♦	
XM	2.1L L4 DSL	33-2648		ZX	1.9L L4 DSL - Non-Turbo	E-9184	
XM	3.0L V6 F/I	33-2648		ZX	1.9L L4 DSL - Turbo	E-9000	
ZX	1.1L L4 F/I	E-9183		ZX	1.9L L4 F/I	E-9000 ♦	
ZX	1.4L L4 F/I	E-9183		ZX	2.0L L4 F/I - 16v	E-9000 ♦	
ZX	1.6L L4 F/I	E-9183		ZX	2.0L L4 F/I - 8v	33-2673 ♦	
ZX	1.8L L4 F/I - 16v	33-2781		<b>1993 CITROEN</b>			
ZX	1.8L L4 F/I - 8v	33-2673		AX	1.0L L4 CARB - 41/45BHP	E-9121	
ZX	1.9L L4 DSL - Non-Turbo	E-9184		AX	1.0L L4 CARB - 50BHP	E-9183	
ZX	1.9L L4 DSL - Turbo	E-9000		AX	1.1L L4 F/I - 54BHP	E-9121 ♦	
ZX	1.9L L4 F/I	E-9000 ♦		AX	1.1L L4 F/I - 60BHP	E-9183 ♦	
ZX	2.0L L4 F/I - 16v	E-9000 ♦		AX	1.4L L4 DSL	33-2539	
ZX	2.0L L4 F/I - 8v	33-2673 ♦		AX	1.4L L4 F/I	E-9183	
<b>1995 CITROEN</b>				AX	1.4L L4 CARB - 75BHP	E-9183	
AX	1.0L L4 CARB - 41/45BHP	E-9121		BX	1.8L L4 DSL	33-2539	
AX	1.0L L4 CARB - 50BHP	E-9183		BX	1.9L L4 DSL	33-2539	
AX	1.1L L4 F/I	E-9183 ♦					

\*Indicates 2 filters required      ♦ - Intake kit available      Applications updated daily at [knfilters.com](http://knfilters.com) ®

**Partial Listing - Complete List of Vehicles and Applications at [knfilters.com](http://knfilters.com)**

# CITROEN

# AIR & OIL FILTERS

Vehicle	Engine Type	Air Filter	Oil Filter
<b>1993 CITROEN</b>			
BX	1.9L L4 F/I	33-2539 ♦	
Xantia	1.6L L4 F/I	33-2673	
Xantia	1.8L L4 F/I	33-2673	
Xantia	2.0L L4 F/I - 16v	E-9000	
Xantia	2.0L L4 F/I - 8v	33-2673	
XM	2.1L L4 DSL	33-2648	
ZX	1.4L L4 F/I	E-9183	
ZX	1.8L L4 F/I	33-2673 ♦	
ZX	1.9L L4 DSL - Non-Turbo	E-9184	
ZX	1.9L L4 DSL - Turbo	E-9000	
ZX	1.9L L4 F/I	E-9000 ♦	
ZX	2.0L L4 F/I - 16v	E-9000 ♦	
ZX	2.0L L4 F/I - 8v	33-2673 ♦	

Vehicle	Engine Type	Air Filter	Oil Filter
<b>1992 CITROEN</b>			
AX	1.0L L4 CARB - 41/45BHP	E-9121	
AX	1.0L L4 CARB - 50BHP	E-9183	
AX	1.1L L4 F/I - 54BHP	E-9121 ♦	
AX	1.1L L4 F/I - 60BHP	E-9183 ♦	
AX	1.4L L4 DSL	33-2539	
AX	1.4L L4 F/I	E-9183	
BX	1.4L L4 CARB - 75BHP	E-9183	
BX	1.8L L4 DSL	33-2539	
BX	1.9L L4 DSL	33-2539	
BX	1.9L L4 F/I	33-2539 ♦	
XM	2.1L L4 DSL	33-2648	
XM	3.0L V6 F/I	33-2648	
ZX	1.4L L4 F/I	E-9183	
ZX	1.6L L4 F/I	E-9183	
ZX	1.9L L4 DSL - Non-Turbo	E-9184	
ZX	1.9L L4 DSL - Turbo	E-9000	
ZX	1.9L L4 F/I	E-9000 ♦	
ZX	2.0L L4 F/I - 16v	E-9000 ♦	
ZX	2.0L L4 F/I - 8v	33-2673 ♦	

Vehicle	Engine Type	Air Filter	Oil Filter
<b>1991 CITROEN</b>			
AX	1.1L L4 F/I - 54BHP	E-9121 ♦	
AX	1.1L L4 F/I - 60BHP	E-9183 ♦	
AX	1.4L L4 DSL	33-2539	
AX	1.4L L4 F/I - from 7/91	E-9183	
AX	1.4L L4 F/I - to 6/91	E-9121	
BX	1.6L L4 F/I	33-2539	
BX	1.9L L4 DSL	33-2539	
BX	1.9L L4 F/I	33-2539 ♦	
ZX	1.6L L4 F/I	E-9183	
ZX	1.9L L4 DSL	E-9184	
ZX	1.9L L4 F/I	E-9000 ♦	

Vehicle	Engine Type	Air Filter	Oil Filter
<b>1990 CITROEN</b>			
AX	1.4L L4 DSL	33-2539	
AX	1.4L L4 F/I	E-9121	
BX	1.8L L4 DSL	33-2539	
BX	1.9L L4 DSL	33-2539	
BX	1.9L L4 F/I	33-2539 ♦	
XM	2.0L L4 F/I	33-2648	
XM	3.0L V6 F/I	33-2648	

Vehicle	Engine Type	Air Filter	Oil Filter
<b>1989 CITROEN</b>			
AX	1.0L L4 CARB - 41/45BHP	E-9121	
AX	1.1L L4 F/I - 54BHP	E-9121	
AX	1.4L L4 DSL	33-2539	
AX	1.4L L4 F/I	E-9121	
BX	1.4L L4 CARB - 64BHP	E-9121	

Vehicle	Engine Type	Air Filter	Oil Filter
<b>1989 CITROEN</b>			
BX	1.4L L4 CARB - 75BHP	E-9183	
BX	1.6L L4 F/I	33-2539	
BX	1.8L L4 DSL	33-2539	
BX	1.9L L4 DSL	33-2539	
BX	1.9L L4 F/I	33-2539 ♦	

Vehicle	Engine Type	Air Filter	Oil Filter
<b>1988 CITROEN</b>			
AX	1.3L L4 CARB	E-9000	
AX	1.4L L4 DSL	33-2539	
AX	1.4L L4 F/I	E-9121	
BX	1.9L L4 DSL	33-2539	
BX	1.9L L4 F/I	33-2539 ♦	

Vehicle	Engine Type	Air Filter	Oil Filter
<b>1987 CITROEN</b>			
AX	1.0L L4 CARB - 41/45BHP	E-9121	
AX	1.3L L4 CARB	E-9000	
BX	1.9L L4 DSL - from 7/87	33-2539	
BX	1.9L L4 DSL - to 6/87	E-9184	
BX	1.9L L4 F/I - from 7/87	33-2539 ♦	
BX	1.9L L4 F/I - to 6/87	E-9184 ♦	

Vehicle	Engine Type	Air Filter	Oil Filter
<b>1986 CITROEN</b>			
BX	1.9L L4 DSL	E-9184	
BX	1.9L L4 F/I	E-9184 ♦	
CX II	2.2L L4 CARB	E-2244	

Vehicle	Engine Type	Air Filter	Oil Filter
<b>2011 DACIA</b>			
Duster	1.6L L4 F/I	33-2194	
Logan	1.4L L4 F/I	E-1150 ♦	
Logan	1.5L L4 DSL	33-2864	
Logan	1.6L L4 F/I - 16v	33-2194 ♦	
Logan	1.6L L4 F/I - 8v	E-1150 ♦	
Sandero	1.2L L4 F/I	33-2925	
Sandero	1.4L L4 F/I	E-1150 ♦	
Sandero	1.5L L4 DSL	33-2864	
Sandero	1.6L L4 F/I	E-1150 ♦	

Vehicle	Engine Type	Air Filter	Oil Filter
<b>2010 DACIA</b>			
Duster	1.6L L4 F/I	33-2194	
Logan	1.4L L4 F/I	E-1150 ♦	
Logan	1.5L L4 DSL	33-2864	
Logan	1.6L L4 F/I - 16v	33-2194 ♦	
Logan	1.6L L4 F/I - 8v	E-1150 ♦	
Sandero	1.2L L4 F/I	33-2925	
Sandero	1.4L L4 F/I	E-1150 ♦	
Sandero	1.5L L4 DSL	33-2864	
Sandero	1.6L L4 F/I	E-1150 ♦	

Vehicle	Engine Type	Air Filter	Oil Filter
<b>2009 DACIA</b>			
Logan	1.4L L4 F/I	E-1150 ♦	
Logan	1.5L L4 DSL	33-2864	
Logan	1.6L L4 F/I - 16v	33-2194 ♦	
Logan	1.6L L4 F/I - 8v	E-1150 ♦	
Sandero	1.2L L4 F/I	33-2925	
Sandero	1.4L L4 F/I	E-1150 ♦	
Sandero	1.5L L4 DSL	33-2864	
Sandero	1.6L L4 F/I	E-1150 ♦	

Vehicle	Engine Type	Air Filter	Oil Filter
<b>2008 DACIA</b>			
Logan	1.4L L4 F/I	E-1150 ♦	
Logan	1.5L L4 DSL	33-2864	
Logan	1.6L L4 F/I - 16v	33-2194 ♦	
Logan	1.6L L4 F/I - 8v	E-1150 ♦	
Sandero	1.4L L4 F/I	E-1150 ♦	
Sandero	1.6L L4 F/I	E-1150 ♦	

\*Indicates 2 filters required

♦ - Intake kit available

Applications updated daily at [knfilters.com](http://knfilters.com) ®

# AIR & OIL FILTERS

# DACIA

Vehicle	Engine Type	Air Filter	Oil Filter	Vehicle	Engine Type	Air Filter	Oil Filter
<b>2007 DACIA</b>				<b>2000 DAEWOO</b>			
Logan	1.4L L4 F/I	E-1150 ♦		Lanos	1.5L L4 F/I	33-2795	
Logan	1.5L L4 DSL	33-2864		Lanos	1.6L L4 F/I	33-2795	HP-1001
Logan	1.6L L4 F/I - 16v	33-2194 ♦		Leganza	2.0L L4 F/I	33-2800	
Logan	1.6L L4 F/I - 8v	E-1150 ♦		Leganza	2.2L L4 F/I	33-2800	HP-1001
<b>2006 DACIA</b>				Matiz	0.8L L3 F/I	33-2827	
Logan	1.4L L4 F/I	E-1150 ♦		Nubira	1.5L L4 F/I	33-2802	
Logan	1.5L L4 DSL	33-2864		Nubira	1.6L L4 F/I	33-2802	
Logan	1.6L L4 F/I - 16v	33-2194 ♦		Nubira	1.8L L4 F/I	33-2802	
Logan	1.6L L4 F/I - 8v	E-1150 ♦		Nubira	2.0L L4 F/I	33-2802	HP-1001
<b>2005 DACIA</b>				<b>1999 DAEWOO</b>			
Logan	1.4L L4 F/I	E-1150 ♦		Espero	1.8L L4 F/I	33-2548-A	
Logan	1.5L L4 DSL	33-2864		Espero	2.0L L4 F/I	33-2548-A	
Logan	1.6L L4 F/I - 8v	E-1150 ♦		Korando	2.3L L4 F/I		HP-7008
<b>2004 DACIA</b>				Korando	3.2L V6 F/I		HP-7008
Logan	1.4L L4 F/I	E-1150 ♦		Lanos	1.4L L4 F/I	33-2795	
Logan	1.6L L4 F/I - 8v	E-1150 ♦		Lanos	1.5L L4 F/I	33-2795	
<b>2004 DAEWOO</b>				Lanos	1.6L L4 F/I	33-2795	HP-1001
Kalos	1.2L L4 F/I	33-2320		Leganza	2.0L L4 F/I	33-2800	
Kalos	1.4L L4 F/I	33-2320		Leganza	2.2L L4 F/I	33-2800	HP-1001
Matiz	0.8L L3 F/I	33-2827		Matiz	0.8L L3 F/I	33-2827	
Matiz	1.0L L4 F/I	33-2827 ♦		Musso	2.3L L4 F/I		HP-7008
<b>2003 DAEWOO</b>				Musso	3.2L V6 F/I		HP-7008
Kalos	1.2L L4 F/I	33-2320		Nubira	1.5L L4 F/I	33-2802	
Kalos	1.4L L4 F/I	33-2320		Nubira	1.6L L4 F/I	33-2802	
Lanos	1.4L L4 F/I	33-2795		Nubira	1.8L L4 F/I	33-2802	
Lanos	1.5L L4 F/I	33-2795		Nubira	2.0L L4 F/I	33-2802	HP-1001
Lanos	1.6L L4 F/I	33-2795		<b>1998 DAEWOO</b>			
Leganza	2.2L L4 F/I	33-2800		Espero	1.8L L4 F/I	33-2548-A	
Matiz	0.8L L3 F/I	33-2827		Espero	2.0L L4 F/I	33-2548-A	
Matiz	1.0L L4 F/I	33-2827 ♦		Korando	2.0L L4 F/I		HP-7008
Nubira	1.5L L4 F/I	33-2802		Lanos	1.4L L4 F/I	33-2795	
Nubira	1.6L L4 F/I	33-2802		Lanos	1.5L L4 F/I	33-2795	HP-1001
Nubira	1.8L L4 F/I	33-2802		Lanos	1.6L L4 F/I	33-2795	HP-1001
Nubira	2.0L L4 F/I	33-2802		Leganza	2.0L L4 F/I	33-2800	
<b>2002 DAEWOO</b>				Leganza	2.2L L4 F/I	33-2800	HP-1001
Lanos	1.4L L4 F/I	33-2795		Matiz	0.8L L3 F/I	33-2827	
Lanos	1.5L L4 F/I	33-2795		Nexia	1.8L L4 F/I	33-2548-A	
Lanos	1.6L L4 F/I	33-2795	HP-1001	Nubira	1.5L L4 F/I	33-2802	
Leganza	2.0L L4 F/I	33-2800		Nubira	1.6L L4 F/I	33-2802	
Leganza	2.2L L4 F/I	33-2800	HP-1001	Nubira	1.8L L4 F/I	33-2802	
Matiz	0.8L L3 F/I	33-2827		Nubira	2.0L L4 F/I	33-2802	HP-1001
Nubira	1.5L L4 F/I	33-2802		<b>1997 DAEWOO</b>			
Nubira	1.6L L4 F/I	33-2802		Espero	1.5L L4 F/I	33-2548-A	
Nubira	1.8L L4 F/I	33-2802		Espero	1.8L L4 F/I	33-2548-A	
Nubira	2.0L L4 F/I	33-2802	HP-1001	Espero	2.0L L4 F/I	33-2548-A	
Rexton	3.2L V6 F/I		HP-7008	Lanos	1.4L L4 F/I	33-2795	
<b>2001 DAEWOO</b>				Lanos	1.5L L4 F/I	33-2795	
Lanos	1.4L L4 F/I	33-2795		Lanos	1.6L L4 F/I	33-2795	
Lanos	1.5L L4 F/I	33-2795		Leganza	2.0L L4 F/I	33-2800	
Lanos	1.6L L4 F/I	33-2795	HP-1001	Leganza	2.2L L4 F/I	33-2800	HP-1001
Leganza	2.0L L4 F/I	33-2800		Magnus	2.0L L4 F/I - Non-US	33-2253	
Leganza	2.2L L4 F/I	33-2800	HP-1001	Matiz	0.8L L3 F/I	33-2827	
Magnus	2.0L L4 F/I - Non-US	33-2253		Nubira	1.5L L4 F/I	33-2802	
Matiz	0.8L L3 F/I	33-2827		Nubira	1.6L L4 F/I	33-2802	
Nubira	1.5L L4 F/I	33-2802		Nubira	1.8L L4 F/I	33-2802	
Nubira	1.6L L4 F/I	33-2802		Nubira	2.0L L4 F/I	33-2802	HP-1001
Nubira	1.8L L4 F/I	33-2802		<b>1996 DAEWOO</b>			
Nubira	2.0L L4 F/I	33-2802	HP-1001	Espero	1.5L L4 F/I	33-2548-A	
<b>2000 DAEWOO</b>				Espero	1.8L L4 F/I	33-2548-A	
Lanos	1.4L L4 F/I	33-2795		Espero	2.0L L4 F/I	33-2548-A	
*Indicates 2 filters required    ♦ - Intake kit available    Applications updated daily at <a href="http://knfilters.com">knfilters.com</a> ®							

# DAEWOO

# AIR & OIL FILTERS

Vehicle	Engine Type	Air Filter	Oil Filter
<b>1995 DAEWOO</b>			
Espero	1.5L L4 F/I	33-2548-A	
Espero	1.8L L4 F/I	33-2548-A	
Espero	2.0L L4 F/I	33-2548-A	
Nexia	1.5L L4 F/I	33-2548-A	
Nexia	1.8L L4 F/I	33-2548-A	
<b>1994 DAEWOO</b>			
Espero	1.5L L4 F/I	33-2548-A	
Espero	2.0L L4 F/I	33-2548-A	
<b>1993 DAEWOO</b>			
Espero	1.5L L4 F/I	33-2548-A	
Espero	2.0L L4 F/I	33-2548-A	
<b>1991 DAEWOO</b>			
Espero	2.0L L4 F/I	33-2548-A	
<b>2011 DAIHATSU</b>			
Materia	1.3L L4 F/I	33-2967 ♦	
Materia	1.5L L4 F/I	33-2967 ♦	
Sirion	1.0L L3 F/I	33-2131 ♦	
Sirion	1.5L L4 F/I	33-2967	
Terios	1.5L L4 F/I	33-2967	
<b>2010 DAIHATSU</b>			
Materia	1.3L L4 F/I	33-2967 ♦	
Materia	1.5L L4 F/I	33-2967 ♦	
Sirion	1.0L L3 F/I	33-2131 ♦	
Sirion	1.5L L4 F/I	33-2967	
Terios	1.5L L4 F/I	33-2967	
<b>2009 DAIHATSU</b>			
Materia	1.3L L4 F/I	33-2967 ♦	
Materia	1.5L L4 F/I	33-2967 ♦	
Sirion	1.0L L3 F/I	33-2131 ♦	
Sirion	1.5L L4 F/I	33-2967	
Terios	1.5L L4 F/I	33-2967	
<b>2008 DAIHATSU</b>			
Materia	1.3L L4 F/I	33-2967 ♦	
Materia	1.5L L4 F/I	33-2967 ♦	
Sirion	1.0L L3 F/I	33-2131 ♦	
Sirion	1.5L L4 F/I	33-2967	
Terios	1.5L L4 F/I	33-2967	
<b>2007 DAIHATSU</b>			
Materia	1.3L L4 F/I	33-2967 ♦	
Materia	1.5L L4 F/I	33-2967 ♦	
Sirion	1.0L L3 F/I	33-2131 ♦	
Sirion	1.5L L4 F/I	33-2967	
Terios	1.5L L4 F/I	33-2967	
<b>2006 DAIHATSU</b>			
Sirion	1.0L L3 F/I	33-2131 ♦	
Terios	1.5L L4 F/I	33-2967	
<b>2005 DAIHATSU</b>			
Sirion	1.0L L3 F/I	33-2131 ♦	
<b>2004 DAIHATSU</b>			
Gran Move	1.6L L4 F/I	33-2533	
<b>2003 DAIHATSU</b>			
Gran Move	1.6L L4 F/I	33-2533	
<b>2002 DAIHATSU</b>			
Gran Move	1.6L L4 F/I	33-2533	
<b>2001 DAIHATSU</b>			
Applause	1.6L L4 F/I	33-2533	
Charade	1.5L L4 F/I	33-2533	

Vehicle	Engine Type	Air Filter	Oil Filter
<b>2001 DAIHATSU</b>			
Gran Move	1.6L L4 F/I	33-2533	
<b>2000 DAIHATSU</b>			
Applause	1.6L L4 F/I	33-2533	
Charade	1.5L L4 F/I	33-2533	
Gran Move	1.6L L4 F/I	33-2533	
Terios	1.3L L4 F/I	33-2041-1	
<b>1999 DAIHATSU</b>			
Applause	1.6L L4 F/I	33-2533	
Charade	1.3L L4 F/I	33-2533	
Charade	1.5L L4 F/I	33-2533	
Charade	1.6L L4 F/I	33-2533	
Gran Move	1.6L L4 F/I	33-2533	
Terios	1.3L L4 F/I	33-2041-1	
<b>1998 DAIHATSU</b>			
Applause	1.6L L4 F/I	33-2533	
Charade	1.3L L4 F/I	33-2533	
Charade	1.5L L4 F/I	33-2533	
Charade	1.6L L4 F/I	33-2533	
Gran Move	1.5L L4 F/I	33-2533	
Gran Move	1.6L L4 F/I	33-2533	
Terios	1.3L L4 F/I	33-2041-1	
<b>1997 DAIHATSU</b>			
Applause	1.6L L4 F/I	33-2533	
Charade	1.3L L4 F/I	33-2533	
Charade	1.5L L4 F/I	33-2533	
Charade	1.6L L4 F/I	33-2533	
Gran Move	1.5L L4 F/I	33-2533	
Terios	1.3L L4 F/I	33-2041-1	
<b>1996 DAIHATSU</b>			
Applause	1.6L L4 F/I	33-2533	
Charade	1.3L L4 F/I	33-2533	
Charade	1.5L L4 F/I	33-2533	
Charade	1.6L L4 F/I	33-2533	
Gran Move	1.5L L4 F/I	33-2533	
<b>1995 DAIHATSU</b>			
Applause	1.6L L4 F/I	33-2533	
Charade	1.3L L4 F/I	33-2533	
Charade	1.5L L4 F/I	33-2533	
Charade	1.6L L4 F/I	33-2533	
<b>1994 DAIHATSU</b>			
Applause	1.6L L4 F/I	33-2533	
Charade	1.3L L4 F/I	33-2533	
Charade	1.5L L4 F/I	33-2533	
Charade	1.6L L4 F/I	33-2533	
Mira	.66L L3 F/I - Turbo	33-2633	
Rocky	2.8L L4 DSL	38-9070	
<b>1993 DAIHATSU</b>			
Applause	1.6L L4 F/I	33-2533	
Charade	1.3L L4 F/I	33-2533	
Charade	1.6L L4 F/I	33-2533	
Fourtrak	2.8L L4 DSL - Turbo	38-9070	
Rocky	2.8L L4 DSL	38-9070	
<b>1992 DAIHATSU</b>			
Applause	1.6L L4 F/I	33-2533	
Charade	1.0L L3 DSL	33-2533	
Charade	1.0L L3 F/I	33-2533	HP-1003
Charade	1.3L L4 F/I	33-2533	HP-1003
Fourtrak	2.3L L4 - Petrol	E-2610	
Rocky	1.6L L4 F/I		HP-1003

\*Indicates 2 filters required

♦ - Intake kit available

Applications updated daily at [knfilters.com](http://knfilters.com) ®

# AIR & OIL FILTERS

# DAIHATSU

Vehicle	Engine Type	Air Filter	Oil Filter
<b>1992 DAIHATSU</b>			
Rocky	2.8L L4 DSL	38-9070	
<b>1991 DAIHATSU</b>			
Applause	1.6L L4 F/I	33-2533	
Charade	1.0L L3 DSL	33-2533	
Charade	1.0L L3 F/I	33-2533	HP-1003
Charade	1.3L L4 F/I	33-2533	HP-1003
Feroza	1.6L L4 CARB	E-9191	
Rocky	1.6L L4 F/I		HP-1003
Rocky	2.8L L4 DSL	38-9070	
<b>1990 DAIHATSU</b>			
Applause	1.6L L4 CARB	E-9191	
Applause	1.6L L4 F/I	33-2533	
Charade	1.0L L3 DSL	33-2533	
Charade	1.0L L3 F/I	33-2533	HP-1003
Charade	1.3L L4 F/I	33-2533	HP-1003
Feroza	1.6L L4 CARB	E-9191	
Rocky	1.6L L4 F/I		HP-1003
Rocky	2.8L L4 DSL	38-9070	
<b>1989 DAIHATSU</b>			
Charade	1.0L L3 DSL	33-2533	
Charade	1.0L L3 F/I	33-2533	HP-1003
Charade	1.3L L4 F/I	33-2533	HP-1003
Feroza	1.6L L4 CARB	E-9191	
Rocky	2.8L L4 DSL	38-9070	
<b>1988 DAIHATSU</b>			
Charade	1.0L L3 DSL	33-2533	
Charade	1.0L L3 F/I	33-2533	HP-1003
Domino	846 - L80	E-1015	
Feroza	1.6L L4 CARB	E-9191	
Rocky	2.8L L4 DSL	38-9070	
<b>1987 DAIHATSU</b>			
Charade	1.0L L3 DSL - from 3/87	33-2533	
Charade	1.0L L3 DSL - to 2/87	33-2592	
Charade	1.0L L3 F/I - from 4/87, exc. 68BHP	33-2533	
Charade	1.0L L3 F/I - to 3/87, 68BHP	33-2592	
<b>1986 DAIHATSU</b>			
Charade	1.0L L3 DSL	33-2592	
Charade	1.0L L3 F/I - 68BHP	33-2592	
Rocky	2.8L L4 DSL	38-9070	
<b>1985 DAIHATSU</b>			
Charade	1.0L L3 DSL	33-2592	
Charade	1.0L L3 F/I - 68BHP	33-2592	
Rocky	2.8L L4 DSL	38-9070	
<b>1984 DAIHATSU</b>			
Charade	1.0L L3 F/I - 68BHP	33-2592	
<b>1983 DAIHATSU</b>			
Charade	1.0L L3 F/I - exc. Turbo	E-9173	
<b>1982 DAIHATSU</b>			
Charade	1.0L L3 F/I	E-9173	
<b>1980 DAIHATSU</b>			
Charade	1.0L L3 F/I	E-9173	
<b>2003 DAIMLER</b>			
Double Six	6.0L V12 F/I	33-2003	
Six	4.0L L6 F/I	33-2003	
V8 Super	4.0L V8 F/I	33-2190	

Vehicle	Engine Type	Air Filter	Oil Filter
<b>2002 DAIMLER</b>			
Double Six	6.0L V12 F/I	33-2003	
Six	4.0L L6 F/I	33-2003	
V8 Super	4.0L V8 F/I	33-2190	
<b>2001 DAIMLER</b>			
Double Six	6.0L V12 F/I	33-2003	
Six	4.0L L6 F/I	33-2003	
V8 Super	4.0L V8 F/I	33-2190	
<b>2000 DAIMLER</b>			
Double Six	6.0L V12 F/I	33-2003	
Six	4.0L L6 F/I	33-2003	
V8 Super	4.0L V8 F/I	33-2190	
<b>1999 DAIMLER</b>			
Double Six	6.0L V12 F/I	33-2003	
Six	4.0L L6 F/I	33-2003	
V8 Super	4.0L V8 F/I	33-2190	
<b>1998 DAIMLER</b>			
Double Six	6.0L V12 F/I	33-2003	
Six	4.0L L6 F/I	33-2003	
V8 Super	4.0L V8 F/I	33-2190	
<b>1997 DAIMLER</b>			
V8 Super	4.0L V8 F/I	33-2190	
<b>1996 DAIMLER</b>			
Six	4.0L L6 F/I	33-2003	
<b>1995 DAIMLER</b>			
Double Six	6.0L V12 F/I	33-2003	
<b>2011 DODGE</b>			
Avenger	2.4L L4 F/I		HP-1017
Caliber	2.0L L4 F/I		HP-1017
Caliber	2.4L L4 F/I		HP-1017
Challenger	5.7L V8 F/I		HP-2010
Charger	5.7L V8 F/I		HP-2010
Dakota	3.7L V6 F/I	33-2175	HP-2011
Dakota	4.7L V8 F/I	33-2175	HP-2010
Durango	3.6L V6 F/I	33-2457	
Durango	5.7L V8 F/I	33-2457	HP-2010
Journey	2.0L L4 DSL	33-2423	
Journey	2.4L L4 F/I		HP-1017
Journey	2.7L V6 F/I	33-2423	
Nitro	3.7L V6 F/I	33-2363	HP-2011
Nitro	4.0L V6 F/I	33-2363 ♦	HP-1017
Ram 1500 Pickup	3.7L V6 F/I	33-2247 ♦	HP-2011
Ram 1500 Pickup	4.7L V8 F/I	33-2247 ♦	HP-2010
Ram 1500 Pickup	5.7L V8 F/I	33-2247 ♦	HP-2010
Ram 2500 Pickup	5.7L V8 F/I	33-2247	HP-2010
Ram 2500 Pickup	6.7L L6 DSL	E-0787 ♦	HP-4003
Ram 3500 Pickup	6.7L L6 DSL	E-0787 ♦	HP-4003
Ram 4500	6.7L L6 DSL		HP-4003
Ram 5500	6.7L L6 DSL		HP-4003
<b>2010 DODGE</b>			
Attitude	1.6L L4 F/I		HP-1008
Avenger	2.0L L4 DSL	33-2373	
Avenger	2.4L L4 F/I	33-2373 ♦	HP-1017
Avenger	2.7L V6 F/I	33-2373	HP-1017
Avenger	3.5L V6 F/I	33-2373 ♦	HP-1017
Caliber	1.8L L4 F/I	33-2362 ♦	
Caliber	2.0L L4 DSL	33-2362	
Caliber	2.0L L4 F/I	33-2362 ♦	HP-1017
Caliber	2.4L L4 F/I	33-2362 ♦	HP-1017
Challenger	3.5L V6 F/I	33-2295 ♦	HP-1017

\*Indicates 2 filters required

♦ - Intake kit available

Applications updated daily at [knfilters.com](http://knfilters.com) ®

**Partial Listing - Complete List of Vehicles and Applications at [knfilters.com](http://knfilters.com)**

# DODGE

# AIR & OIL FILTERS

Vehicle	Engine Type	Air Filter	Oil Filter	Vehicle	Engine Type	Air Filter	Oil Filter
<b>2010 DODGE</b>				<b>2009 DODGE</b>			
Challenger	5.7L V8 F/I	33-2295 ♦	HP-2010	Ram 1500 Pickup	3.7L V6 F/I	33-2247 ♦	HP-2011
Challenger	6.1L V8 F/I	33-2295 ♦	HP-2010	Ram 1500 Pickup	4.7L V8 F/I	33-2247 ♦	HP-2010
Charger	2.7L V6 F/I	33-2295 ♦	HP-1017	Ram 1500 Pickup	5.7L V8 F/I	33-2247 ♦	HP-2010
Charger	3.5L V6 F/I	33-2295 ♦	HP-1017	Ram 2500 Pickup	5.7L V8 F/I	33-2247	HP-2010
Charger	5.7L V8 F/I	33-2295 ♦	HP-2010	Ram 2500 Pickup	5.9L L6 DSL	E-0776	HP-4003
Charger	6.1L V8 F/I	33-2295 ♦	HP-2010	Ram 2500 Pickup	6.7L L6 DSL	E-0784 ♦	HP-4003
Dakota	3.7L V6 F/I	33-2175	HP-2011	Ram 3500 Pickup	5.7L V8 F/I	33-2247	HP-2010
Dakota	4.7L V8 F/I	33-2175 ♦	HP-2010	Ram 3500 Pickup	5.9L L6 DSL	E-0776	HP-4003
Grand Caravan	3.3L V6 F/I	33-2419	HP-1002	Ram 3500 Pickup	6.7L L6 DSL	E-0784 ♦	HP-4003
Grand Caravan	3.8L V6 F/I	33-2419	HP-1002	Ram 4000	5.7L V8 F/I		HP-2010
Grand Caravan	4.0L V6 F/I	33-2419	HP-1017	Ram 4000	5.9L L6 DSL		HP-4003
Journey	2.0L L4 DSL	33-2423		Ram 4500	6.7L L6 DSL		HP-4003
Journey	2.4L L4 F/I	33-2423	HP-1017	Ram 5500	6.7L L6 DSL		HP-4003
Journey	2.7L V6 F/I	33-2423		Sprinter 2500	3.0L V6 DSL	33-2391	
Journey	3.5L V6 F/I	33-2423	HP-1017	Sprinter 2500	3.5L V6 F/I	33-2391	
Nitro	2.0L L4 DSL	33-2363		Sprinter 3500	3.0L V6 DSL	33-2391	
Nitro	3.7L V6 F/I	33-2363	HP-2011	Sprinter 3500	3.5L V6 F/I	33-2391	
Nitro	4.0L V6 F/I	33-2363 ♦	HP-1017	Viper	8.4L V10 F/I	33-2432 ♦	HP-2010
Ram 1500 Pickup	3.7L V6 F/I	33-2247 ♦	HP-2011	<b>2008 DODGE</b>			
Ram 1500 Pickup	4.7L V8 F/I	33-2247 ♦	HP-2010	Attitude	1.6L L4 F/I		HP-1008
Ram 1500 Pickup	5.7L V8 F/I	33-2247 ♦	HP-2010	Avenger	2.0L L4 DSL	33-2373	
Ram 2500 Pickup	5.7L V8 F/I	33-2247	HP-2010	Avenger	2.4L L4 F/I	33-2373 ♦	HP-1017
Ram 2500 Pickup	5.9L L6 DSL		HP-4003	Avenger	2.7L V6 F/I	33-2373	HP-2010
Ram 2500 Pickup	6.7L L6 DSL	E-0787 ♦	HP-4003	Avenger	3.5L V6 F/I	33-2373 ♦	
Ram 3500 Pickup	5.7L V8 F/I		HP-2010	Avenger	3.5L V6 F/I - 22mm Thread	33-2373	HP-2010
Ram 3500 Pickup	6.7L L6 DSL	E-0787 ♦	HP-4003	Avenger	3.5L V6 F/I - 3/4 thread	33-2373	HP-2004
Ram 4000	5.7L V8 F/I		HP-2010	Caliber	1.8L L4 F/I	33-2362 ♦	HP-1017
Ram 4000	5.9L L6 DSL		HP-4003	Caliber	2.0L L4 DSL	33-2362	
Viper	8.4L V10 F/I	33-2432	HP-2010	Caliber	2.0L L4 F/I	33-2362 ♦	HP-1017
<b>2009 DODGE</b>				Caliber	2.4L L4 F/I	33-2362 ♦	HP-1017
Attitude	1.6L L4 F/I		HP-1008	Caliber SRT-4	2.4L L4 F/I	E-1988 ♦	HP-2010
Avenger	2.0L L4 DSL	33-2373		Caravan	3.3L V6 F/I	33-2419	
Avenger	2.4L L4 F/I	33-2373 ♦	HP-1017	Challenger	6.1L V8 F/I	33-2295 ♦	HP-2010
Avenger	2.7L V6 F/I	33-2373	HP-2010	Charger	2.7L V6 F/I	33-2295 ♦	HP-2010
Avenger	3.5L V6 F/I	33-2373 ♦	HP-2010	Charger	3.5L V6 F/I	33-2295 ♦	HP-2010
Caliber	1.8L L4 F/I	33-2362 ♦	HP-1017	Charger	5.7L V8 F/I	33-2295 ♦	HP-2010
Caliber	2.0L L4 DSL	33-2362		Charger	6.1L V8 F/I	33-2295 ♦	HP-2010
Caliber	2.0L L4 F/I	33-2362 ♦	HP-1017	Dakota	3.7L V6 F/I	33-2175 ♦	HP-2009
Caliber	2.4L L4 F/I	33-2362 ♦	HP-1017	Dakota	4.7L V8 F/I	33-2175 ♦	HP-2010
Caliber SRT-4	2.4L L4 F/I	E-1988 ♦	HP-2010	Durango	3.7L V6 F/I	33-2288	HP-2009
Challenger	3.5L V6 F/I	33-2295 ♦	HP-1017	Durango	4.7L V8 F/I	33-2288 ♦	HP-2010
Challenger	5.7L V8 F/I	33-2295 ♦	HP-2010	Durango	5.7L V8 F/I	33-2288 ♦	HP-2010
Challenger	6.1L V8 F/I	33-2295 ♦	HP-2010	Grand Caravan	3.3L V6 F/I	33-2419	HP-1002
Charger	2.7L V6 F/I	33-2295 ♦	HP-1017	Grand Caravan	3.8L V6 F/I	33-2419	HP-1002
Charger	3.5L V6 F/I	33-2295 ♦	HP-2010	Grand Caravan	4.0L V6 F/I	33-2419	HP-2004
Charger	5.7L V8 F/I	33-2295 ♦	HP-2010	Journey	2.0L L4 DSL	33-2423	
Charger	6.1L V8 F/I	33-2295 ♦	HP-2010	Journey	2.4L L4 F/I	33-2423	
Dakota	3.7L V6 F/I	33-2175	HP-2011	Journey	2.7L V6 F/I	33-2423	
Dakota	4.7L V8 F/I	33-2175 ♦	HP-2010	Journey	2.7L V6 F/I	33-2295 ♦	HP-2010
Durango	3.7L V6 F/I	33-2288	HP-2011	Magnum	3.5L V6 F/I	33-2295 ♦	HP-2010
Durango	4.7L V8 F/I	33-2288 ♦	HP-2010	Magnum	5.7L V8 F/I	33-2295 ♦	HP-2010
Durango	5.7L V8 F/I	33-2288	HP-2010	Magnum	6.1L V8 F/I	33-2295 ♦	HP-2010
Durango Hybrid	5.7L V8 F/I	E-1991	HP-2010	Nitro	2.8L L4 DSL	33-2363	
Grand Caravan	3.3L V6 F/I	33-2419	HP-1002	Nitro	3.7L V6 F/I	33-2363 ♦	HP-2009
Grand Caravan	3.8L V6 F/I	33-2419	HP-1002	Nitro	4.0L V6 F/I	33-2363 ♦	HP-2004
Grand Caravan	4.0L V6 F/I	33-2419	HP-1017	Ram 1500 Pickup	3.7L V6 F/I	33-2247 ♦	HP-2009
Journey	2.0L L4 DSL	33-2423		Ram 1500 Pickup	4.7L V8 F/I	33-2247 ♦	HP-2010
Journey	2.4L L4 F/I	33-2423	HP-1017	Ram 1500 Pickup	5.7L V8 F/I	33-2247 ♦	HP-2010
Journey	2.7L V6 F/I	33-2423		Ram 2500 Pickup	5.7L V8 F/I	33-2247 ♦	HP-2010
Journey	3.5L V6 F/I	33-2423	HP-1017	Ram 2500 Pickup	5.9L L6 DSL	E-0776	HP-4003
Nitro	2.0L L4 DSL	33-2363		Ram 2500 Pickup	6.7L L6 DSL	E-0784 ♦	HP-4003
Nitro	3.7L V6 F/I	33-2363	HP-2011	Ram 3500 Pickup	5.7L V8 F/I	33-2247 ♦	HP-2010
Nitro	4.0L V6 F/I	33-2363 ♦	HP-1017	Ram 3500 Pickup	5.9L L6 DSL	E-0776	HP-4003

\*Indicates 2 filters required

♦ - Intake kit available

Applications updated daily at [knfilters.com](http://knfilters.com) ®

# AIR & OIL FILTERS

# DODGE

Vehicle	Engine Type	Air Filter	Oil Filter	Vehicle	Engine Type	Air Filter	Oil Filter
<b>2008 DODGE</b>				<b>2006 DODGE</b>			
Ram 3500 Pickup	6.7L L6 DSL	E-0784 ♦	HP-4003	Charger	5.7L V8 F/I	33-2295 ♦	HP-2004
Ram 4000	5.7L V8 F/I		HP-2010	Charger	6.1L V8 F/I	33-2295 ♦	HP-2004
Ram 4000	5.9L L6 DSL		HP-4003	Dakota	3.7L V6 F/I	33-2175 ♦	HP-2009
Ram 4500	6.7L L6 DSL		HP-4003	Dakota	4.7L V8 F/I	33-2175 ♦	HP-2004
Ram 5500	6.7L L6 DSL		HP-4003	Durango	3.7L V6 F/I	33-2288	HP-2009
Sprinter 2500	3.0L V6 DSL	33-2391		Durango	4.7L V8 F/I	33-2288 ♦	HP-2004
Sprinter 2500	3.5L V6 F/I	33-2391	HP-7008	Durango	5.7L V8 F/I	33-2288 ♦	HP-2004
Sprinter 3500	3.0L V6 DSL	33-2391		Grand Caravan	3.3L V6 F/I	33-2206	HP-2004
Sprinter 3500	3.5L V6 F/I	33-2391	HP-7008	Grand Caravan	3.8L V6 F/I	33-2206	HP-2004
Viper	8.4L V10 F/I	33-2432 ♦		Magnum	2.7L V6 F/I	33-2295 ♦	HP-2004
<b>2007 DODGE</b>				<b>2005 DODGE</b>			
Attitude	1.6L L4 F/I		HP-1008	Caravan	2.4L L4 F/I	33-2206	HP-1002
Avenger	2.0L L4 DSL	33-2373		Caravan	3.3L V6 F/I	33-2206	HP-2004
Caliber	1.8L L4 F/I	33-2362 ♦	HP-1017	Dakota	3.7L V6 F/I	33-2175 ♦	HP-2009
Caliber	2.0L L4 DSL	33-2362		Dakota	4.7L V8 F/I	33-2175 ♦	HP-2004
Caliber	2.0L L4 F/I	33-2362 ♦	HP-1017	Durango	3.7L V6 F/I	33-2288	HP-2009
Caliber	2.4L L4 F/I	33-2362 ♦	HP-1017	Durango	4.7L V8 F/I	33-2288 ♦	HP-2004
Caravan	2.4L L4 F/I	33-2206	HP-1002	Durango	5.7L V8 F/I	33-2288 ♦	HP-2004
Caravan	3.3L V6 F/I	33-2206	HP-1002	Grand Caravan	3.3L V6 F/I	33-2206	HP-2004
Charger	2.7L V6 F/I	33-2295 ♦	HP-2004	Grand Caravan	3.8L V6 F/I	33-2206	HP-2004
Charger	3.5L V6 F/I	33-2295 ♦	HP-2004	H100	2.4L L4 F/I		HP-1004
Charger	5.7L V8 F/I	33-2295 ♦	HP-2004	Magnum	2.7L V6 F/I	33-2295 ♦	HP-2004
Charger	6.1L V8 F/I	33-2295 ♦	HP-2004	Magnum	3.5L V6 F/I	33-2295 ♦	HP-2004
Dakota	3.7L V6 F/I	33-2175 ♦	HP-2009	Magnum	5.7L V8 F/I	33-2295 ♦	HP-2004
Dakota	4.7L V8 F/I	33-2175 ♦	HP-2004	Magnum	5.7L V8 F/I	33-2295 ♦	HP-2004
Durango	3.7L V6 F/I	33-2288	HP-2009	Neon	2.0L L4 F/I	E-1006 ♦	HP-1002
Durango	4.7L V8 F/I	33-2288 ♦	HP-2004	Neon SRT-4	2.4L L4 F/I	E-1006 ♦	HP-2009
Durango	5.7L V8 F/I	33-2288 ♦	HP-2004	Ram 1500 Pickup	3.7L V6 F/I	33-2247 ♦	HP-2009
Grand Caravan	3.3L V6 F/I	33-2206	HP-1002	Ram 1500 Pickup	4.7L V8 F/I	33-2247 ♦	HP-2004
Grand Caravan	3.8L V6 F/I	33-2206	HP-1002	Ram 1500 Pickup	5.7L V8 F/I	33-2247 ♦	HP-2004
Magnum	2.7L V6 F/I	33-2295 ♦	HP-2004	Ram 2500 Pickup	5.7L V8 F/I	33-2247 ♦	HP-2004
Magnum	3.5L V6 F/I	33-2295 ♦	HP-2004	Ram 2500 Pickup	5.9L L6 DSL	E-0776 ♦	HP-4003
Magnum	5.7L V8 F/I	33-2295 ♦	HP-2004	Ram 2500 Pickup	6.7L L6 DSL	E-0784 ♦	HP-4003
Magnum	6.1L V8 F/I	33-2295 ♦	HP-2004	Ram 3500 Pickup	5.7L V8 F/I	33-2247 ♦	HP-2004
Nitro	2.8L L4 DSL	33-2363		Ram 3500 Pickup	5.9L L6 DSL	E-0776 ♦	HP-4003
Nitro	3.7L V6 F/I	33-2363 ♦	HP-2009	Ram 3500 Pickup	6.7L L6 DSL	E-0784 ♦	HP-4003
Nitro	4.0L V6 F/I	33-2363 ♦	HP-2004	Ram 4000	5.7L V8 F/I		HP-2004
Ram 1500 Pickup	3.7L V6 F/I	33-2247 ♦	HP-2009	Ram 4000	5.9L L6 DSL		HP-4003
Ram 1500 Pickup	4.7L V8 F/I	33-2247 ♦	HP-2004	Ram SRT-10	8.3L V10 F/I	33-2297	HP-2004
Ram 1500 Pickup	5.7L V8 F/I	33-2247 ♦	HP-2004	Sprinter 2500	3.0L V6 DSL	33-2391	
Ram 2500 Pickup	5.7L V8 F/I	33-2247 ♦	HP-2004	Sprinter 2500	3.5L V6 F/I	33-2391	HP-7004
Ram 2500 Pickup	5.9L L6 DSL	E-0776 ♦	HP-4003	Sprinter 3500	3.0L V6 DSL	33-2391	
Ram 2500 Pickup	6.7L L6 DSL	E-0784 ♦	HP-4003	Sprinter 3500	3.5L V6 F/I	33-2391	HP-7004
Ram 3500 Pickup	5.7L V8 F/I	33-2247 ♦	HP-2004	<b>2006 DODGE</b>			
Ram 3500 Pickup	5.9L L6 DSL	E-0776 ♦	HP-4003	Attitude	1.6L L4 F/I		HP-1008
Ram 3500 Pickup	6.7L L6 DSL	E-0784 ♦	HP-4003	Caliber	1.8L L4 F/I	33-2362	HP-1017
Ram 4000	5.7L V8 F/I		HP-2004	Caliber	2.0L L4 DSL	33-2362	
Ram 4000	5.9L L6 DSL		HP-4003	Caliber	2.0L L4 F/I	33-2362	HP-1017
Ram SRT-10	8.3L V10 F/I	33-2297	HP-2004	Caliber	2.4L L4 F/I	33-2362	HP-1017
Sprinter 2500	3.0L V6 DSL	33-2391		Caravan	2.4L L4 F/I	33-2206	HP-1002
Sprinter 2500	3.5L V6 F/I	33-2391	HP-7004	Caravan	3.3L V6 F/I	33-2206	HP-2004
Sprinter 3500	3.0L V6 DSL	33-2391		Charger	2.7L V6 F/I	33-2295 ♦	HP-2004
Sprinter 3500	3.5L V6 F/I	33-2391	HP-7004	Charger	3.5L V6 F/I	33-2295 ♦	HP-2004
				Ram 1500 Pickup	2.7L V6 F/I	33-2072	HP-1010
				Ram 1500 Pickup	2.4L L4 F/I - Coupe	E-1007	HP-1002
				Ram 1500 Pickup	2.4L L4 F/I - Sedan	E-1007	HP-2004
				Ram 2500 Pickup	2.7L V6 F/I	E-1007	HP-2004
				Ram 3500 Pickup	3.0L V6 F/I	33-2072	HP-1004
				Ram 3500 Pickup	2.0L L4 F/I		HP-1002
				Ram 4000			
				Ram SRT-10	8.3L V10 F/I	33-2297 ♦	HP-2004
				Sprinter 2500	2.7L L5 DSL	33-2319	HP-7004
				Sprinter 3500	2.7L L5 DSL	33-2319	HP-7004
				Stratus	2.0L L4 F/I		HP-1002
				Stratus	2.4L L4 F/I - Coupe	33-2072	HP-1010
				Stratus	2.4L L4 F/I - Sedan	E-1007	HP-1002
				Stratus	2.7L V6 F/I	E-1007	HP-2004
				Stratus	3.0L V6 F/I	33-2072	HP-1004
				SX 2.0	2.0L L4 F/I		HP-1002

\*Indicates 2 filters required

♦ - Intake kit available

Applications updated daily at [knfilters.com](http://knfilters.com) ®

**Partial Listing - Complete List of Vehicles and Applications at [knfilters.com](http://knfilters.com)**

# DODGE

# AIR & OIL FILTERS

Vehicle	Engine Type	Air Filter	Oil Filter	Vehicle	Engine Type	Air Filter	Oil Filter
<b>2005 DODGE</b>				<b>2003 DODGE</b>			
Verna	1.5L L4 F/I		HP-1008	Ram 2500 Van	5.9L V8 F/I	E-1100	HP-2004
Verna	1.6L L4 F/I		HP-1008	Ram 3500 Pickup	5.7L V8 F/I	33-2247 ♦	HP-2004
Viper	8.3L V10 F/I		HP-2004	Ram 3500 Pickup	5.9L L6 DSL	E-0776 ♦	HP-4003
<b>2004 DODGE</b>				Ram 3500 Pickup	8.0L V10 F/I	33-2247	HP-2004
Caravan	2.4L L4 F/I	33-2206	HP-1002	Ram 3500 Van	5.2L V8 F/I	E-1100	HP-2004
Caravan	3.3L V6 F/I	33-2206	HP-2004	Ram 3500 Van	5.9L V8 F/I	E-1100	HP-2004
Dakota	3.7L V6 F/I	33-2175	HP-2009	Stratus	2.0L L4 F/I		HP-1002
Dakota	4.7L V8 F/I	33-2175 ♦	HP-2004	Stratus	2.4L L4 F/I - Coupe	33-2072	HP-1010
Durango	3.7L V6 F/I	33-2288	HP-2009	Stratus	2.4L L4 F/I - Sedan	E-1007	HP-1002
Durango	4.7L V8 F/I	33-2288 ♦	HP-2004	Stratus	2.7L V6 F/I	E-1007	HP-2004
Durango	5.7L V8 F/I	33-2288 ♦	HP-2004	Stratus	3.0L V6 F/I	33-2072	HP-1004
Grand Caravan	3.3L V6 F/I	33-2206	HP-2004	SX 2.0	2.0L L4 F/I		HP-1002
Grand Caravan	3.8L V6 F/I	33-2206	HP-2004	Viper	8.3L V10 F/I		HP-2004
H100	2.4L L4 F/I		HP-1004	<b>2002 DODGE</b>			
Intrepid	2.7L V6 F/I	33-2136 ♦	HP-2004	Caravan	2.4L L4 F/I	33-2206	HP-1002
Intrepid	3.5L V6 F/I	33-2136	HP-2004	Caravan	3.3L V6 F/I	33-2206	HP-2004
Intrepid SXT	3.5L V6 F/I		HP-2004	Dakota	2.5L L4 F/I	33-2175	HP-2004
Neon	2.0L L4 F/I	E-1006 ♦	HP-1002	Dakota	3.9L V6 F/I	33-2175	HP-2004
Neon SRT-4	2.4L L4 F/I	E-1006 ♦	HP-2009	Dakota	4.7L V8 F/I	33-2175 ♦	HP-2004
Ram 1500 Pickup	3.7L V6 F/I	33-2247 ♦	HP-2009	Dakota	5.9L V8 F/I	33-2175 ♦	HP-2004
Ram 1500 Pickup	4.7L V8 F/I	33-2247 ♦	HP-2004	Durango	4.7L V8 F/I	33-2175 ♦	HP-2004
Ram 1500 Pickup	5.7L V8 F/I	33-2247 ♦	HP-2004	Durango	5.9L V8 F/I	33-2175 ♦	HP-2004
Ram 2500 Pickup	5.7L V8 F/I	33-2247 ♦	HP-2004	Grand Caravan	3.3L V6 F/I	33-2206	HP-2004
Ram 2500 Pickup	5.9L L6 DSL	E-0776 ♦	HP-4003	Grand Caravan	3.8L V6 F/I	33-2206	HP-2004
Ram 3500 Pickup	5.7L V8 F/I	33-2247 ♦	HP-2004	Intrepid	2.7L V6 F/I	33-2136 ♦	HP-2004
Ram 3500 Pickup	5.9L L6 DSL	E-0776 ♦	HP-4003	Intrepid	3.5L V6 F/I	33-2136 ♦	HP-2004
Ram SRT-10	8.3L V10 F/I	33-2297 ♦	HP-2004	Neon	2.0L L4 F/I	E-1006 ♦	HP-1002
Sprinter 2500	2.7L L5 DSL	33-2319	HP-7004	Neon ACR	2.0L L4 F/I	E-1006 ♦	HP-1002
Sprinter 3500	2.7L L5 DSL	33-2319	HP-7004	Neon R/T	2.0L L4 F/I	E-1006 ♦	HP-1002
Stratus	2.0L L4 F/I		HP-1002	Ram 1500 Pickup	3.7L V6 F/I	33-2247 ♦	HP-2009
Stratus	2.4L L4 F/I - Coupe	33-2072	HP-1010	Ram 1500 Pickup	4.7L V8 F/I	33-2247 ♦	HP-2004
Stratus	2.4L L4 F/I - Sedan	E-1007	HP-1002	Ram 1500 Pickup	5.9L V8 F/I	33-2247 ♦	HP-2004
Stratus	2.7L V6 F/I	E-1007	HP-2004	Ram 1500 Van	3.9L V6 F/I	E-1100	HP-2004
Stratus	3.0L V6 F/I	33-2072	HP-1004	Ram 1500 Van	5.2L V8 F/I	E-1100	HP-2004
SX 2.0	2.0L L4 F/I		HP-1002	Ram 1500 Van	5.9L V8 F/I	E-1100	HP-2004
Viper	8.3L V10 F/I		HP-2004	Ram 2500 Pickup	5.9L L6 DSL	33-2056 ♦	HP-4003
<b>2003 DODGE</b>				Ram 2500 Pickup	5.9L V8 F/I	33-2084 ♦	HP-2004
Caravan	2.4L L4 F/I	33-2206	HP-1002	Ram 2500 Pickup	8.0L V10 F/I	33-2058 ♦	HP-2004
Caravan	3.3L V6 F/I	33-2206	HP-2004	Ram 2500 Van	5.2L V8 F/I	E-1100	HP-2004
Dakota	3.9L V6 F/I	33-2175	HP-2004	Ram 2500 Van	5.9L V8 F/I	E-1100	HP-2004
Dakota	4.7L V8 F/I	33-2175 ♦	HP-2004	Ram 3500 Pickup	5.9L L6 DSL	33-2056 ♦	HP-4003
Dakota	5.9L V8 F/I	33-2175 ♦	HP-2004	Ram 3500 Pickup	5.9L V8 F/I	33-2084	HP-2004
Durango	4.7L V8 F/I	33-2175 ♦	HP-2004	Ram 3500 Pickup	8.0L V10 F/I	33-2058 ♦	HP-2004
Durango	5.9L V8 F/I	33-2175 ♦	HP-2004	Ram 3500 Van	5.2L V8 F/I	E-1100	HP-2004
Grand Caravan	3.3L V6 F/I	33-2206	HP-2004	Ram 3500 Van	5.9L V8 F/I	E-1100	HP-2004
Grand Caravan	3.8L V6 F/I	33-2206	HP-2004	Stratus	2.4L L4 F/I - Coupe	33-2072	HP-1010
H100	2.4L L4 F/I		HP-1004	Stratus	2.4L L4 F/I - Sedan	E-1007	HP-1002
Intrepid	2.7L V6 F/I	33-2136 ♦	HP-2004	Stratus	2.7L V6 F/I	E-1007	HP-2004
Intrepid	3.5L V6 F/I	33-2136 ♦	HP-2004	Stratus	3.0L V6 F/I	33-2072	HP-1004
Neon	2.0L L4 F/I	E-1006 ♦	HP-1002	Viper	8.0L V10 F/I	33-2085*	HP-2004
Neon R/T	2.0L L4 F/I	E-1006 ♦	HP-1002	<b>2001 DODGE</b>			
Neon SRT-4	2.4L L4 F/I	E-1006 ♦	HP-2009	Caravan	2.4L L4 F/I	33-2206	HP-1002
Ram 1500 Pickup	3.7L V6 F/I	33-2247 ♦	HP-2009	Caravan	3.3L V6 F/I	33-2206	HP-2004
Ram 1500 Pickup	4.7L V8 F/I	33-2247 ♦	HP-2004	Dakota	2.5L L4 F/I	33-2175	HP-2004
Ram 1500 Pickup	5.7L V8 F/I	33-2247 ♦	HP-2004	Dakota	3.9L V6 F/I	33-2175	HP-2004
Ram 1500 Pickup	5.9L V8 F/I	33-2247 ♦	HP-2004	Dakota	4.7L V8 F/I	33-2175 ♦	HP-2004
Ram 1500 Van	3.9L V6 F/I	E-1100	HP-2004	Dakota	5.9L V8 F/I	33-2175 ♦	HP-2004
Ram 1500 Van	5.2L V8 F/I	E-1100	HP-2004	Durango	4.7L V8 F/I	33-2175 ♦	HP-2004
Ram 1500 Van	5.9L V8 F/I	E-1100	HP-2004	Durango	5.9L V8 F/I	33-2175 ♦	HP-2004
Ram 2500 Pickup	5.7L V8 F/I	33-2247 ♦	HP-2004	Grand Caravan	3.3L V6 F/I	33-2206	HP-2004
Ram 2500 Pickup	5.9L L6 DSL	E-0776 ♦	HP-4003	Grand Caravan	3.8L V6 F/I	33-2206	HP-2004
Ram 2500 Pickup	8.0L V10 F/I	33-2247	HP-2004	Intrepid	2.7L V6 F/I	33-2136 ♦	HP-2004
Ram 2500 Van	5.2L V8 F/I	E-1100	HP-2004	Intrepid	3.2L V6 F/I	33-2136	HP-2004

\*Indicates 2 filters required

♦ - Intake kit available

Applications updated daily at [knfilters.com](http://knfilters.com) ®



# AIR & OIL FILTERS

# DODGE

Vehicle	Engine Type	Air Filter	Oil Filter
<b>2001 DODGE</b>			
Intrepid	3.5L V6 F/I	33-2136 ♦	HP-2004
Neon	2.0L L4 F/I	E-1006 ♦	HP-1002
Neon ACR	2.0L L4 F/I	E-1006 ♦	HP-1002
Neon R/T	2.0L L4 F/I	E-1006 ♦	HP-1002
Ram 1500 Pickup	3.9L V6 F/I	33-2084 ♦	HP-2004
Ram 1500 Pickup	5.2L V8 F/I	33-2084 ♦	HP-2004
Ram 1500 Pickup	5.9L V8 F/I	33-2084 ♦	HP-2004
Ram 1500 Van	3.9L V6 F/I	E-1100	HP-2004
Ram 1500 Van	5.2L V8 F/I	E-1100	HP-2004
Ram 1500 Van	5.9L V8 F/I	E-1100	HP-2004
Ram 2500 Pickup	5.9L L6 DSL	33-2056 ♦	HP-4003
Ram 2500 Pickup	5.9L V8 F/I	33-2084 ♦	HP-2004
Ram 2500 Pickup	8.0L V10 F/I	33-2058 ♦	HP-2004
Ram 2500 Van	3.9L V6 F/I	E-1100	HP-2004
Ram 2500 Van	5.2L V8 F/I	E-1100	HP-2004
Ram 2500 Van	5.9L V8 F/I	E-1100	HP-2004
Ram 3500 Pickup	5.9L L6 DSL	33-2056 ♦	HP-4003
Ram 3500 Pickup	5.9L V8 F/I	33-2084	HP-2004
Ram 3500 Pickup	8.0L V10 F/I	33-2058 ♦	HP-2004
Ram 3500 Van	5.2L V8 F/I	E-1100	HP-2004
Ram 3500 Van	5.9L V8 F/I	E-1100	HP-2004
Stratus	2.4L L4 F/I - Coupe	33-2072	HP-1010
Stratus	2.4L L4 F/I - Sedan	E-1007	HP-1002
Stratus	2.7L V6 F/I	E-1007	HP-2004
Stratus	3.0L V6 F/I	33-2072	HP-1004
Viper	8.0L V10 F/I	33-2085*	HP-2004

<b>2000 DODGE</b>			
Avenger	2.5L V6 F/I	33-2072 ♦	HP-2004
Caravan	2.4L L4 F/I	33-2087	HP-1002
Caravan	3.0L V6 F/I	33-2087	HP-2004
Caravan	3.3L V6 F/I	33-2087	HP-2004
Dakota	2.5L L4 F/I	33-2175	HP-2004
Dakota	3.9L V6 F/I	33-2175	HP-2004
Dakota	4.7L V8 F/I	33-2175 ♦	HP-2004
Dakota	5.9L V8 F/I	33-2175 ♦	HP-2004
Durango	4.7L V8 F/I	33-2175 ♦	HP-2004
Durango	5.2L V8 F/I	33-2175 ♦	HP-2004
Durango	5.9L V8 F/I	33-2175 ♦	HP-2004
Grand Caravan	3.0L V6 F/I	33-2087	HP-2004
Grand Caravan	3.3L V6 F/I	33-2087	HP-2004
Grand Caravan	3.8L V6 F/I	33-2087	HP-2004
Intrepid	2.7L V6 F/I	33-2136 ♦	HP-2004
Intrepid	3.2L V6 F/I	33-2136	HP-2004
Intrepid	3.5L V6 F/I	33-2136 ♦	HP-2004
Neon	2.0L L4 F/I	E-1006 ♦	HP-1002
Ram 1500 Pickup	3.9L V6 F/I	33-2084 ♦	HP-2004
Ram 1500 Pickup	5.2L V8 F/I	33-2084 ♦	HP-2004
Ram 1500 Pickup	5.9L V8 F/I	33-2084 ♦	HP-2004
Ram 1500 Van	3.9L V6 F/I	E-1100	HP-2004
Ram 1500 Van	5.2L V8 F/I	E-1100	HP-2004
Ram 1500 Van	5.9L V8 F/I	E-1100	HP-2004
Ram 2500 Pickup	5.9L L6 DSL	33-2056 ♦	HP-4003
Ram 2500 Pickup	5.9L V8 F/I	33-2084 ♦	HP-2004
Ram 2500 Pickup	8.0L V10 F/I	33-2058 ♦	HP-2004
Ram 2500 Van	5.2L V8 F/I	E-1100	HP-2004
Ram 2500 Van	5.9L V8 F/I	E-1100	HP-2004
Ram 3500 Pickup	5.9L L6 DSL	33-2056 ♦	HP-4003
Ram 3500 Pickup	5.9L V8 F/I	33-2084	HP-2004
Ram 3500 Pickup	8.0L V10 F/I	33-2058 ♦	HP-2004
Ram 3500 Van	5.2L V8 F/I	E-1100	HP-2004
Ram 3500 Van	5.9L V8 F/I	E-1100	HP-2004
Stratus	2.0L L4 F/I	33-2067	HP-1002
Stratus	2.4L L4 F/I	33-2067	HP-1002

Vehicle	Engine Type	Air Filter	Oil Filter
<b>2000 DODGE</b>			
Stratus	2.5L V6 F/I	33-2067	HP-2004
Viper	8.0L V10 F/I	33-2085*	HP-2004

<b>1999 DODGE</b>			
Avenger	2.0L L4 F/I	33-2072	HP-2004
Avenger	2.5L V6 F/I	33-2072 ♦	HP-2004
Caravan	2.4L L4 F/I	33-2087	HP-1002
Caravan	3.0L V6 F/I	33-2087	HP-2004
Caravan	3.3L V6 F/I	33-2087	HP-2004
Caravan	3.8L V6 F/I	33-2087	HP-2004
Dakota	2.5L L4 F/I	33-2175	HP-2004
Dakota	3.9L V6 F/I	33-2175	HP-2004
Dakota	5.2L V8 F/I	33-2175 ♦	HP-2004
Dakota	5.9L V8 F/I	33-2175 ♦	HP-2004
Durango	3.9L V6 F/I	33-2175	HP-2004
Durango	5.2L V8 F/I	33-2175 ♦	HP-2004
Durango	5.9L V8 F/I	33-2175 ♦	HP-2004
Grand Caravan	3.0L V6 F/I	33-2087	HP-2004
Grand Caravan	3.3L V6 F/I	33-2087	HP-2004
Grand Caravan	3.8L V6 F/I	33-2087	HP-2004
Intrepid	2.7L V6 F/I	33-2136 ♦	HP-2004
Intrepid	3.2L V6 F/I	33-2136	HP-2004
Neon	2.0L L4 F/I	33-2087 ♦	HP-1002
Ram 1500 Pickup	3.9L V6 F/I	33-2084 ♦	HP-2004
Ram 1500 Pickup	5.2L V8 F/I	33-2084 ♦	HP-2004
Ram 1500 Pickup	5.9L V8 F/I	33-2084 ♦	HP-2004
Ram 1500 Van	3.9L V6 F/I	E-1100	HP-2004
Ram 1500 Van	5.2L V8 F/I	E-1100	HP-2004
Ram 1500 Van	5.9L V8 F/I	E-1100	HP-2004
Ram 2500 Pickup	5.9L L6 DSL	33-2056 ♦	HP-4003
Ram 2500 Pickup	5.9L V8 F/I	33-2084 ♦	HP-2004
Ram 2500 Pickup	8.0L V10 F/I	33-2058 ♦	HP-2004
Ram 2500 Van	5.2L V8 F/I	E-1100	HP-2004
Ram 2500 Van	5.9L V8 F/I	E-1100	HP-2004
Ram 3500 Pickup	5.9L L6 DSL	33-2056 ♦	HP-4003
Ram 3500 Pickup	5.9L V8 F/I	33-2084	HP-2004
Ram 3500 Pickup	8.0L V10 F/I	33-2058 ♦	HP-2004
Ram 3500 Van	5.2L V8 F/I	E-1100	HP-2004
Ram 3500 Van	5.9L V8 F/I	E-1100	HP-2004
Stratus	2.0L L4 F/I	33-2067	HP-1002
Stratus	2.4L L4 F/I	33-2067	HP-1002
Stratus	2.5L V6 F/I	33-2067	HP-2004
Viper	8.0L V10 F/I	33-2085*	HP-2004

<b>1998 DODGE</b>			
Avenger	2.0L L4 F/I	33-2072	HP-2004
Avenger	2.5L V6 F/I	33-2072 ♦	HP-2004
B1500 Van	3.9L V6 F/I	E-1100	HP-2004
B1500 Van	5.2L V8 F/I	E-1100	HP-2004
B1500 Van	5.9L V8 F/I	E-1100	HP-2004
B2500 Van	5.2L V8 F/I	E-1100	HP-2004
B2500 Van	5.9L V8 F/I	E-1100	HP-2004
B3500 Van	5.2L V8 F/I	E-1100	HP-2004
B3500 Van	5.9L V8 F/I	E-1100	HP-2004
Caravan	2.4L L4 F/I	33-2087	HP-1002
Caravan	3.0L V6 F/I	33-2087	HP-2004
Caravan	3.3L V6 F/I	33-2087	HP-2004
Caravan	3.8L V6 F/I	33-2087	HP-2004
Dakota	2.5L L4 F/I	33-2175	HP-2004
Dakota	3.9L V6 F/I	33-2175	HP-2004
Dakota	5.2L V8 F/I	33-2175 ♦	HP-2004
Dakota	5.9L V8 F/I	33-2175 ♦	HP-2004
Durango	3.9L V6 F/I	33-2175	HP-2004
Durango	5.2L V8 F/I	33-2175 ♦	HP-2004

\*Indicates 2 filters required

♦ - Intake kit available

Applications updated daily at [knfilters.com](http://knfilters.com) ®

**Partial Listing - Complete List of Vehicles and Applications at [knfilters.com](http://knfilters.com)**

# DODGE

# AIR & OIL FILTERS

Vehicle	Engine Type	Air Filter	Oil Filter	Vehicle	Engine Type	Air Filter	Oil Filter
<b>1998 DODGE</b>				<b>1996 DODGE</b>			
Durango	5.9L V8 F/I	33-2175 ♦	HP-2004	B1500 Van	3.9L V6 F/I	E-1100	HP-2004
Grand Caravan	3.0L V6 F/I	33-2087	HP-2004	B1500 Van	5.2L V8 F/I	E-1100	HP-2004
Grand Caravan	3.3L V6 F/I	33-2087	HP-2004	B2500 Van	3.9L V6 F/I	E-1100	HP-2004
Grand Caravan	3.8L V6 F/I	33-2087	HP-2004	B2500 Van	5.2L V8 F/I	E-1100	HP-2004
Intrepid	2.7L V6 F/I	33-2136 ♦	HP-2004	B2500 Van	5.9L V8 F/I	E-1100	HP-2004
Intrepid	3.2L V6 F/I	33-2136	HP-2004	B3500 Van	5.2L V8 F/I	E-1100	HP-2004
Neon	2.0L L4 F/I	33-2087	HP-1002	B3500 Van	5.9L V8 F/I	E-1100	HP-2004
		33-2087 ♦	HP-1002	Caravan	2.4L L4 F/I	33-2087	HP-1002
Ram 1500 Pickup	3.9L V6 F/I	33-2084 ♦	HP-2004	Caravan	3.0L V6 F/I	33-2087	HP-2004
Ram 1500 Pickup	5.2L V8 F/I	33-2084 ♦	HP-2004	Caravan	3.3L V6 F/I	33-2087	HP-2004
Ram 1500 Pickup	5.9L V8 F/I	33-2084 ♦	HP-2004	Caravan	3.8L V6 F/I	33-2087	HP-2004
Ram 2500 Pickup	5.2L V8 F/I	33-2084 ♦	HP-2004	Dakota	2.5L L4 F/I	33-2006	HP-2004
Ram 2500 Pickup	5.9L L6 DSL	33-2056 ♦	HP-4003	Dakota	3.9L V6 F/I	E-1100 ♦	HP-2004
Ram 2500 Pickup	5.9L V8 F/I	33-2084 ♦	HP-2004	Dakota	5.2L V8 F/I	E-1100 ♦	HP-2004
Ram 2500 Pickup	8.0L V10 F/I	33-2058 ♦	HP-2004	Grand Caravan	2.4L L4 F/I	33-2087	HP-1002
Ram 3500 Pickup	5.9L L6 DSL	33-2056 ♦	HP-4003	Grand Caravan	3.0L V6 F/I	33-2087	HP-2004
Ram 3500 Pickup	5.9L V8 F/I	33-2084	HP-2004	Grand Caravan	3.3L V6 F/I	33-2087	HP-2004
Ram 3500 Pickup	8.0L V10 F/I	33-2058 ♦	HP-2004	Grand Caravan	3.8L V6 F/I	33-2087	HP-2004
Stratus	2.0L L4 F/I	33-2067	HP-1002	Intrepid	3.3L V6 F/I	33-2066-1	HP-2004
Stratus	2.4L L4 F/I	33-2067	HP-1002	Intrepid	3.5L V6 F/I	33-2066-1	HP-2004
Stratus	2.5L V6 F/I	33-2067	HP-2004	Neon	2.0L L4 F/I	33-2087	HP-1002
Viper	8.0L V10 F/I	33-2085* ♦	HP-2004			33-2087 ♦	HP-1002
<b>1997 DODGE</b>				Ram 1500 Pickup	3.9L V6 F/I	33-2084 ♦	HP-2004
Avenger	2.0L L4 F/I	33-2072	HP-2004	Ram 1500 Pickup	5.2L V8 F/I	33-2084 ♦	HP-2004
Avenger	2.5L V6 F/I	33-2072	HP-2004	Ram 1500 Pickup	5.9L V8 F/I	33-2084 ♦	HP-2004
B1500 Van	3.9L V6 F/I	E-1100	HP-2004	Ram 2500 Pickup	5.2L V8 F/I	33-2084 ♦	HP-2004
B1500 Van	5.2L V8 F/I	E-1100	HP-2004	Ram 2500 Pickup	5.9L L6 DSL	33-2056 ♦	HP-4003
B2500 Van	3.9L V6 F/I	E-1100	HP-2004	Ram 2500 Pickup	5.9L V8 F/I	33-2084 ♦	HP-2004
B2500 Van	5.2L V8 F/I	E-1100	HP-2004	Ram 2500 Pickup	8.0L V10 F/I	33-2058 ♦	HP-2004
B2500 Van	5.9L V8 F/I	E-1100	HP-2004	Ram 3500 Pickup	5.9L L6 DSL	33-2056 ♦	HP-4003
B3500 Van	5.2L V8 F/I	E-1100	HP-2004	Ram 3500 Pickup	5.9L V8 F/I	33-2084	HP-2004
B3500 Van	5.9L V8 F/I	E-1100	HP-2004	Ram 3500 Pickup	8.0L V10 F/I	33-2058 ♦	HP-2004
Caravan	2.4L L4 F/I	33-2087	HP-1002	Stealth	3.0L V6 F/I	33-2045 ♦	HP-1004
Caravan	3.0L V6 F/I	33-2087	HP-2004	Stratus	2.0L L4 F/I	33-2067	HP-1002
Caravan	3.3L V6 F/I	33-2087	HP-2004	Stratus	2.4L L4 F/I	33-2067	HP-1002
Caravan	3.8L V6 F/I	33-2087	HP-2004	Stratus	2.5L V6 F/I	33-2067	HP-2004
Dakota	2.5L L4 F/I	33-2175	HP-2004	Viper	8.0L V10 F/I	33-2085* ♦	HP-2004
Dakota	3.9L V6 F/I	33-2175	HP-2004	<b>1995 DODGE</b>			
Dakota	5.2L V8 F/I	33-2175 ♦	HP-2004	Avenger	2.0L L4 F/I	33-2072	HP-2004
Grand Caravan	2.4L L4 F/I	33-2087	HP-1002	Avenger	2.5L V6 F/I	33-2072	HP-2004
Grand Caravan	3.0L V6 F/I	33-2087	HP-2004	B1500 Van	3.9L V6 F/I	E-1100	HP-2004
Grand Caravan	3.3L V6 F/I	33-2087	HP-2004	B1500 Van	5.2L V8 F/I	E-1100	HP-2004
Grand Caravan	3.8L V6 F/I	33-2087	HP-2004	B2500 Van	3.9L V6 F/I	E-1100	HP-2004
Intrepid	3.3L V6 F/I	33-2066-1	HP-2004	B2500 Van	5.2L V8 F/I	E-1100	HP-2004
Intrepid	3.5L V6 F/I	33-2066-1	HP-2004	B2500 Van	5.9L V8 F/I	E-1100	HP-2004
Neon	2.0L L4 F/I	33-2087	HP-1002	B3500 Van	5.2L V8 F/I	E-1100	HP-2004
		33-2087 ♦	HP-1002	B3500 Van	5.9L V8 F/I	E-1100	HP-2004
Ram 1500 Pickup	3.9L V6 F/I	33-2084 ♦	HP-2004	Caravan	2.5L L4 F/I	33-2006	HP-2004
Ram 1500 Pickup	5.2L V8 F/I	33-2084 ♦	HP-2004	Caravan	3.0L V6 F/I	33-2002	HP-2004
Ram 1500 Pickup	5.9L V8 F/I	33-2084 ♦	HP-2004	Caravan	3.3L V6 F/I		HP-2004
Ram 2500 Pickup	5.9L L6 DSL	33-2056 ♦	HP-4003	Colt	1.5L L4 F/I		HP-1010
Ram 2500 Pickup	5.9L V8 F/I	33-2084 ♦	HP-2004	Dakota	2.5L L4 F/I	33-2006	HP-2004
Ram 2500 Pickup	8.0L V10 F/I	33-2058 ♦	HP-2004	Dakota	3.9L V6 F/I	E-1100 ♦	HP-2004
Ram 3500 Pickup	5.9L L6 DSL	33-2056 ♦	HP-4003	Dakota	5.2L V8 F/I	E-1100 ♦	HP-2004
Ram 3500 Pickup	5.9L V8 F/I	33-2084	HP-2004	Grand Caravan	3.0L V6 F/I	33-2002	HP-2004
Ram 3500 Pickup	8.0L V10 F/I	33-2058 ♦	HP-2004	Grand Caravan	3.3L V6 F/I		HP-2004
Stratus	2.0L L4 F/I	33-2067	HP-1002	Grand Caravan	3.8L V6 F/I		HP-2004
Stratus	2.4L L4 F/I	33-2067	HP-1002	Intrepid	3.3L V6 F/I	33-2066-1	HP-2004
Stratus	2.5L V6 F/I	33-2067	HP-2004	Intrepid	3.5L V6 F/I	33-2066-1	HP-2004
Viper	8.0L V10 F/I	33-2085* ♦	HP-2004	Neon	2.0L L4 F/I	33-2087	HP-1002
						33-2087 ♦	HP-1002
<b>1996 DODGE</b>				Ram 1500 Pickup	3.9L V6 F/I	33-2084 ♦	HP-2004
Avenger	2.0L L4 F/I	33-2072	HP-2004	Ram 1500 Pickup	5.2L V8 F/I	33-2084 ♦	HP-2004
Avenger	2.5L V6 F/I	33-2072	HP-2004				

\*Indicates 2 filters required

♦ - Intake kit available

Applications updated daily at [knfilters.com](http://knfilters.com) ®

# AIR & OIL FILTERS

# DODGE

Vehicle	Engine Type	Air Filter	Oil Filter	Vehicle	Engine Type	Air Filter	Oil Filter
<b>1995 DODGE</b>				<b>1993 DODGE</b>			
Ram 1500 Pickup	5.9L V8 F/I	33-2084 ♦	HP-2004	B350 Van	5.9L V8 F/I	E-1100	HP-2004
Ram 2500 Pickup	5.2L V8 F/I	33-2084 ♦	HP-2004	Caravan	2.5L L4 F/I	33-2006	HP-2004
Ram 2500 Pickup	5.9L L6 DSL	33-2056 ♦	HP-4003	Caravan	3.0L V6 F/I	33-2002	HP-2004
Ram 2500 Pickup	5.9L V8 F/I	33-2084 ♦	HP-2004	Caravan	3.3L V6 F/I		HP-2004
Ram 2500 Pickup	8.0L V10 F/I	33-2058 ♦	HP-2004	Colt	1.5L L4 F/I	33-2074	HP-1010
Ram 3500 Pickup	5.9L L6 DSL	33-2056 ♦	HP-4003	Colt	1.8L L4 F/I		HP-1010
Ram 3500 Pickup	5.9L V8 F/I	33-2084	HP-2004	Colt	1.8L L4 F/I - w/Panel Filter	33-2074	HP-1010
Ram 3500 Pickup	8.0L V10 F/I	33-2058 ♦	HP-2004	Colt	1.8L L4 F/I - w/Round Filter	E-2875	HP-1010
Spirit	2.5L L4 F/I	E-1923	HP-2004	Colt	2.4L L4 F/I		HP-1010
Spirit	3.0L V6 F/I	33-2002	HP-2004	D150	3.9L V6 F/I	E-1100 ♦	HP-2004
Stealth	3.0L V6 F/I	33-2045 ♦	HP-1004	D150	5.2L V8 F/I	E-1100 ♦	HP-2004
Stratus	2.0L L4 F/I	33-2067	HP-1002	D150	5.9L V8 F/I	E-1100 ♦	HP-2004
Stratus	2.4L L4 F/I	33-2067	HP-1002	D250	3.9L V6 F/I	E-1100 ♦	HP-2004
Stratus	2.5L V6 F/I	33-2067	HP-2004	D250	5.2L V8 F/I	E-1100 ♦	HP-2004
Viper	8.0L V10 F/I	33-2085* ♦	HP-2004	D250	5.9L L6 DSL	E-1023	HP-4003
<b>1994 DODGE</b>				D250	5.9L V8 F/I	E-1100 ♦	HP-2004
B150 Van	3.9L V6 F/I	E-1100	HP-2004	D350	5.9L L6 DSL	E-1023	HP-4003
B150 Van	5.2L V8 F/I	E-1100	HP-2004	D350	5.9L V8 F/I	E-1100 ♦	HP-2004
B250 Van	3.9L V6 F/I	E-1100	HP-2004	Dakota	2.5L L4 F/I	33-2006	HP-2004
B250 Van	5.2L V8 F/I	E-1100	HP-2004	Dakota	3.9L V6 F/I	E-1100 ♦	HP-2004
B250 Van	5.9L V8 F/I	E-1100	HP-2004	Dakota	5.2L V8 F/I	E-1100 ♦	HP-2004
B350 Van	5.2L V8 F/I	E-1100	HP-2004	Dakota	2.2L L4 F/I	33-2002	HP-2004
B350 Van	5.9L V8 F/I	E-1100	HP-2004	Daytona	2.5L L4 F/I	E-1923	HP-2004
Caravan	2.5L L4 F/I	33-2006	HP-2004	Daytona	3.0L V6 F/I	33-2002	HP-2004
Caravan	3.0L V6 F/I	33-2002	HP-2004	Daytona	2.5L L4 F/I	E-1923	HP-2004
Caravan	3.3L V6 F/I - VIN R		HP-2004	Dynasty	2.5L L4 F/I	E-1923	HP-2004
Colt	1.5L L4 F/I	33-2074	HP-1010	Dynasty	3.0L V6 F/I	33-2002	HP-2004
Colt	1.8L L4 F/I		HP-1010	Dynasty	3.3L V6 F/I		HP-2004
Colt	1.8L L4 F/I - w/Panel Filter	33-2074	HP-1010	Grand Caravan	3.3L V6 F/I		HP-2004
Colt	1.8L L4 F/I - w/Round Filter	E-2875	HP-1010	Intrepid	3.3L V6 F/I	33-2066-1	HP-2004
Colt	2.4L L4 F/I		HP-1010	Intrepid	3.5L V6 F/I	33-2066-1	HP-2004
Dakota	2.5L L4 F/I	33-2006	HP-2004	Ram 50	2.4L L4 F/I		HP-1010
Dakota	3.9L V6 F/I	E-1100 ♦	HP-2004	Ramcharger	5.2L V8 F/I	E-1100	HP-2004
Dakota	5.2L V8 F/I	E-1100 ♦	HP-2004	Ramcharger	5.9L V8 F/I	E-1100	HP-2004
Grand Caravan	3.0L V6 F/I	33-2002	HP-2004	Shadow	2.2L L4 F/I	E-1923	HP-2004
Grand Caravan	3.3L V6 F/I		HP-2004	Shadow	2.5L L4 F/I	E-1923	HP-2004
Grand Caravan	3.8L V6 F/I		HP-2004	Shadow	3.0L V6 F/I	33-2002	HP-2004
Intrepid	3.3L V6 F/I	33-2066-1	HP-2004	Spirit	2.5L L4 F/I	E-1923	HP-2004
Intrepid	3.5L V6 F/I	33-2066-1	HP-2004	Spirit	3.0L V6 F/I	33-2002	HP-2004
Ram 1500 Pickup	3.9L V6 F/I	33-2084 ♦	HP-2004	Stealth	3.0L V6 F/I	33-2045 ♦	HP-1004
Ram 1500 Pickup	5.2L V8 F/I	33-2084 ♦	HP-2004	Viper	8.0L V10 F/I	33-2085*	HP-2004
Ram 1500 Pickup	5.9L V8 F/I	33-2084 ♦	HP-2004	W150 Pickup	3.9L V6 F/I	E-1100 ♦	HP-2004
Ram 2500 Pickup	5.2L V8 F/I	33-2084 ♦	HP-2004	W150 Pickup	5.2L V8 F/I	E-1100 ♦	HP-2004
Ram 2500 Pickup	5.9L L6 DSL	33-2056 ♦	HP-4003	W150 Pickup	5.9L V8 F/I	E-1100 ♦	HP-2004
Ram 2500 Pickup	5.9L V8 F/I	33-2084 ♦	HP-2004	W250 Pickup	5.2L V8 F/I	E-1100 ♦	HP-2004
Ram 2500 Pickup	8.0L V10 F/I	33-2058 ♦	HP-2004	W250 Pickup	5.9L L6 DSL	E-1023	HP-4003
Ram 3500 Pickup	5.9L L6 DSL	33-2056 ♦	HP-4003	W250 Pickup	5.9L V8 F/I	E-1100 ♦	HP-2004
Ram 3500 Pickup	5.9L V8 F/I	33-2084	HP-2004	W350 Pickup	5.9L L6 DSL	E-1023	HP-4003
Ram 3500 Pickup	8.0L V10 F/I	33-2058 ♦	HP-2004	W350 Pickup	5.9L V8 F/I	E-1100 ♦	HP-2004
Shadow	2.2L L4 F/I	E-1923	HP-2004	<b>1992 DODGE</b>			
Shadow	2.5L L4 F/I	E-1923	HP-2004	B150 Van	5.2L V8 F/I	E-1100	HP-2004
Shadow	3.0L V6 F/I	33-2002	HP-2004	B250 Van	3.9L V6 F/I	E-1100	HP-2004
Spirit	2.5L L4 F/I - VIN K	E-1923	HP-2004	B250 Van	5.2L V8 F/I	E-1100	HP-2004
Spirit	2.5L L4 F/I - VIN V	33-2002	HP-2004	B350 Van	5.9L V8 F/I	E-1100	HP-2004
Spirit	3.0L V6 F/I	33-2002	HP-2004	Caravan	2.5L L4 F/I	33-2006	HP-2004
Stealth	3.0L V6 F/I	33-2045 ♦	HP-1004	Caravan	3.0L V6 F/I	33-2002	HP-2004
Viper	8.0L V10 F/I	33-2085*	HP-2004	Caravan	3.3L V6 F/I		HP-2004
<b>1993 DODGE</b>				Colt	1.5L L4 F/I	E-2875	HP-1010
B150 Van	3.9L V6 F/I	E-1100	HP-2004	D150	3.9L V6 F/I		HP-2004
B250 Van	3.9L V6 F/I	E-1100	HP-2004	D150	5.2L V8 F/I	E-1100 ♦	HP-2004
B250 Van	5.2L V8 F/I	E-1100	HP-2004	D250	3.9L V6 F/I		HP-2004
B250 Van	5.9L V8 F/I	E-1100	HP-2004	D250	5.2L V8 F/I	E-1100 ♦	HP-2004
B250 Van	5.9L V8 F/I	E-1100	HP-2004	D250	5.9L L6 DSL	E-1023	HP-4003

\*Indicates 2 filters required

♦ - Intake kit available

Applications updated daily at [knfilters.com](http://knfilters.com) ®

**Partial Listing - Complete List of Vehicles and Applications at [knfilters.com](http://knfilters.com)**

# DODGE

# AIR & OIL FILTERS

Vehicle	Engine Type	Air Filter	Oil Filter	Vehicle	Engine Type	Air Filter	Oil Filter
<b>1992 DODGE</b>				<b>1991 DODGE</b>			
D250	5.9L V8 F/I	E-1100 ♦	HP-2004	Dynasty	2.5L L4 F/I	E-1923	HP-2004
D350	5.9L L6 DSL	E-1023	HP-4003	Dynasty	3.0L V6 F/I	33-2002	HP-2004
D350	5.9L V8 F/I	E-1100 ♦	HP-2004	Dynasty	3.3L V6 F/I		HP-2004
Dakota	2.5L L4 F/I	33-2006	HP-2004	Grand Caravan	3.3L V6 F/I		HP-2004
Dakota	3.9L V6 F/I	E-1100 ♦	HP-2004	Ram 50	2.4L L4 F/I	33-2045	HP-1005
Dakota	5.2L V8 F/I	E-1100 ♦	HP-2004	Ramcharger	5.2L V8 F/I	E-1100	HP-2004
Daytona	2.2L L4 F/I	33-2002	HP-2004	Ramcharger	5.9L V8 F/I	E-1100	HP-2004
Daytona	2.5L L4 F/I		HP-2004	Shadow	2.2L L4 F/I	E-1923	HP-2004
Daytona	2.5L L4 F/I - exc. Turbo	E-1923	HP-2004	Shadow	2.5L L4 F/I		HP-2004
Daytona	2.5L L4 F/I - Turbo	33-2039	HP-2004	Shadow	2.5L L4 F/I - exc. Turbo	E-1923	HP-2004
Daytona	3.0L V6 F/I	33-2002	HP-2004	Shadow	2.5L L4 F/I - Turbo	33-2039	HP-2004
Dynasty	3.0L V6 F/I	33-2002	HP-2004	Spirit	2.2L L4 F/I	33-2002	HP-2004
Dynasty	3.3L V6 F/I		HP-2004	Spirit	2.5L L4 F/I		HP-2004
Grand Caravan	3.0L V6 F/I	33-2002	HP-2004	Spirit	2.5L L4 F/I - exc. Turbo	E-1923	HP-2004
Grand Caravan	3.3L V6 F/I		HP-2004	Spirit	2.5L L4 F/I - Turbo	33-2039	HP-2004
Ram 50	2.4L L4 F/I	33-2045	HP-1005	Spirit	3.0L V6 F/I	33-2002	HP-2004
Ramcharger	5.2L V8 F/I	E-1100	HP-2004	Stealth	3.0L V6 F/I	33-2045 ♦	HP-1004
Ramcharger	5.9L V8 F/I	E-1100 ♦	HP-2004	W150 Pickup	3.9L V6 F/I		HP-2004
Shadow	2.2L L4 F/I	E-1923	HP-2004	W150 Pickup	5.2L V8 F/I	E-1100	HP-2004
Shadow	2.5L L4 F/I		HP-2004	W150 Pickup	5.9L V8 F/I	E-1100	HP-2004
Shadow	2.5L L4 F/I - exc. Turbo	E-1923	HP-2004	W250 Pickup	5.2L V8 F/I	E-1100	HP-2004
Shadow	2.5L L4 F/I - Turbo	33-2039	HP-2004	W250 Pickup	5.9L L6 DSL	E-1023	HP-4003
Shadow	3.0L V6 F/I	33-2002	HP-2004	W250 Pickup	5.9L V8 F/I	E-1100	HP-2004
Spirit	2.2L L4 F/I	33-2002	HP-2004	W350 Pickup	5.9L L6 DSL	E-1023	HP-4003
Spirit	2.5L L4 F/I		HP-2004	W350 Pickup	5.9L V8 F/I	E-1100	HP-2004
Spirit	2.5L L4 F/I - exc. Turbo	E-1923	HP-2004	<b>1990 DODGE</b>			
Spirit	2.5L L4 F/I - Turbo	33-2039	HP-2004	B150 Van	3.9L V6 F/I	E-1100	HP-1002
Spirit	3.0L V6 F/I	33-2002	HP-2004	B150 Van	5.2L V8 F/I	E-1100	HP-2004
Stealth	3.0L V6 F/I	33-2045 ♦	HP-1004	B250 Van	3.9L V6 F/I	E-1100	HP-1002
Viper	8.0L V10 F/I	33-2085*	HP-2004	B250 Van	5.2L V8 F/I	E-1100	HP-2004
W150 Pickup	3.9L V6 F/I		HP-2004	B250 Van	5.9L V8 F/I	E-1100	HP-2004
W150 Pickup	5.2L V8 F/I	E-1100 ♦	HP-2004	B350 Van	5.9L V8 F/I	E-1100	HP-2004
W250 Pickup	5.2L V8 F/I	E-1100 ♦	HP-2004	Caravan	2.5L L4 F/I	33-2006	HP-1002
W250 Pickup	5.9L L6 DSL	E-1023	HP-4003	Caravan	3.0L V6 F/I	33-2002	HP-1002
W250 Pickup	5.9L V8 F/I	E-1100 ♦	HP-2004	Caravan	3.3L V6 F/I		HP-1002
W350 Pickup	5.9L L6 DSL	E-1023	HP-4003	Colt	1.5L L4 CARB	E-2875	HP-1005
W350 Pickup	5.9L V8 F/I	E-1100 ♦	HP-2004	Colt	1.5L L4 F/I	E-2875	HP-1005
<b>1991 DODGE</b>				Colt	1.6L L4 F/I		HP-1005
B150 Van	5.2L V8 F/I	E-1100	HP-2004	Colt	2.0L L4 F/I		HP-1005
B250 Van	3.9L V6 F/I	E-1100	HP-2004	Colt 100LX	1.6L L4 F/I	E-2875	HP-1005
B250 Van	5.2L V8 F/I	E-1100	HP-2004	D150	3.9L V6 F/I		HP-1002
B250 Van	5.9L V8 F/I	E-1100	HP-2004	D150	5.2L V8 F/I	E-1100	HP-2004
B350 Van	5.2L V8 F/I	E-1100	HP-2004	D150	5.9L V8 F/I	E-1100	HP-2004
B350 Van	5.9L V8 F/I	E-1100	HP-2004	D250	5.2L V8 F/I	E-1100	HP-2004
Caravan	3.3L V6 F/I		HP-2004	D250	5.9L L6 DSL	E-1023	HP-4003
Colt	1.5L L4 F/I	E-2875	HP-1010	D250	5.9L V8 F/I	E-1100	HP-2004
Colt	2.0L L4 F/I		HP-1005	D350	5.9L L6 DSL	E-1023	HP-4003
D150	3.9L V6 F/I		HP-2004	D350	5.9L V8 F/I	E-1100	HP-2004
D150	5.2L V8 F/I	E-1100	HP-2004	Dakota	2.5L L4 F/I	33-2006	HP-1002
D150	5.9L V8 F/I	E-1100	HP-2004	Dakota	3.9L V6 F/I	E-1100	HP-1002
D250	3.9L V6 F/I		HP-2004	Dakota	5.2L V8 F/I		HP-2004
D250	5.2L V8 F/I	E-1100	HP-2004	Daytona	2.2L L4 F/I		HP-1002
D250	5.9L L6 DSL	E-1023	HP-4003	Daytona	2.5L L4 F/I		HP-1002
D250	5.9L V8 F/I	E-1100	HP-2004	Daytona	2.5L L4 F/I - exc. Turbo	E-1923	HP-1002
D350	5.9L L6 DSL	E-1023	HP-4003	Daytona	2.5L L4 F/I - Turbo	33-2039	HP-1002
D350	5.9L V8 F/I	E-1100	HP-2004	Daytona	3.0L V6 F/I	33-2002	HP-1002
Dakota	2.5L L4 F/I	33-2006	HP-2004	Dynasty	3.3L V6 F/I	33-2006	HP-1002
Dakota	3.9L V6 F/I	E-1100	HP-2004	Grand Caravan	3.3L V6 F/I		HP-1002
Dakota	5.2L V8 F/I	E-1100	HP-2004	Omni	2.2L L4 F/I	33-2002	HP-1002
Daytona	2.5L L4 F/I		HP-2004	Ram 50	2.4L L4 F/I	E-2810	HP-1005
Daytona	2.5L L4 F/I - exc. Turbo	E-1923	HP-2004	Ram 50	3.0L V6 F/I	E-2875	HP-1005
Daytona	2.5L L4 F/I - Turbo	33-2039	HP-2004	Ramcharger	5.2L V8 F/I	E-1100	HP-2004
Daytona	3.0L V6 F/I	33-2002	HP-2004	Ramcharger	5.9L V8 F/I	E-1100	HP-2004

\*Indicates 2 filters required

♦ - Intake kit available

Applications updated daily at [knfilters.com](http://knfilters.com) ®

# AIR & OIL FILTERS

# DODGE

Vehicle	Engine Type	Air Filter	Oil Filter	Vehicle	Engine Type	Air Filter	Oil Filter
<b>1990 DODGE</b>				<b>1989 DODGE</b>			
Shadow	2.2L L4 F/I		HP-1002	Spirit	2.5L L4 F/I - Turbo	33-2006	HP-1002
Shadow	2.2L L4 F/I - exc. Turbo	E-1923	HP-1002	W100	5.2L V8 F/I	E-1100	HP-2004
Shadow	2.2L L4 F/I - Turbo	33-2039	HP-1002	W150 Pickup	3.9L V6 F/I		HP-1002
Shadow	2.5L L4 F/I		HP-1002	W150 Pickup	5.2L V8 F/I	E-1100	HP-2004
Shadow	2.5L L4 F/I - exc. Turbo	E-1923	HP-1002	W150 Pickup	5.9L V8 F/I	E-1100	HP-2004
Shadow	2.5L L4 F/I - Turbo	33-2039	HP-1002	W250 Pickup	5.2L V8 F/I	E-1100	HP-2004
Spirit	2.5L L4 F/I		HP-1002	W250 Pickup	5.9L L6 DSL	E-1023	HP-4003
Spirit	2.5L L4 F/I - exc. Turbo	E-1923	HP-1002	W250 Pickup	5.9L V8 F/I	E-1100	HP-2004
Spirit	2.5L L4 F/I - Turbo	33-2039	HP-1002	W350 Pickup	5.9L L6 DSL	E-1023	HP-4003
Spirit	3.0L V6 F/I	33-2002	HP-1002	W350 Pickup	5.9L V8 F/I	E-1100	HP-2004
W150 Pickup	3.9L V6 F/I		HP-1002	<b>1988 DODGE</b>			
W150 Pickup	5.2L V8 F/I	E-1100	HP-2004	Aries	2.2L L4 F/I	E-1923	HP-1002
W150 Pickup	5.9L V8 F/I	E-1100	HP-2004	Aries	2.5L L4 F/I	E-1923	HP-1002
W250 Pickup	5.2L V8 F/I	E-1100	HP-2004	B150 Van	3.9L V6 F/I	E-1290	HP-1002
W250 Pickup	5.9L L6 DSL	E-1023	HP-4003	B150 Van	5.2L V8 F/I	E-1290	HP-2004
W250 Pickup	5.9L V8 F/I	E-1100	HP-2004	B250 Van	5.2L V8 F/I	E-1290	HP-2004
W350 Pickup	5.9L L6 DSL	E-1023	HP-4003	B350 Van	5.9L V8 CARB	E-1100	HP-2004
W350 Pickup	5.9L V8 F/I	E-1100	HP-2004	Caravan	2.5L L4 F/I	33-2006	HP-1002
<b>1989 DODGE</b>				Caravan	3.0L V6 F/I	33-2002	HP-1002
Aries	2.2L L4 F/I	E-1923	HP-1002	Colt Premier	1.5L L4 CARB	E-2755	HP-1005
B150 Van	3.9L V6 F/I	E-1290	HP-1002	D100	3.9L V6 F/I		HP-1002
B250 Van	3.9L V6 F/I	E-1290	HP-1002	D100	5.2L V8 F/I	E-1290	HP-2004
B250 Van	5.2L V8 F/I	E-1100	HP-2004	D100	5.9L V8 CARB	E-1100	HP-2004
B250 Van	5.9L V8 F/I	E-1100	HP-2004	D150	5.2L V8 F/I	E-1290	HP-2004
B350 Van	5.9L V8 F/I	E-1100	HP-2004	D150	5.9L V8 CARB	E-1100	HP-2004
Caravan	2.5L L4 F/I	33-2006	HP-1002	D250	5.2L V8 F/I	E-1290	HP-2004
Colt	1.5L L4 CARB	E-1090	HP-1005	D250	5.9L V8 CARB	E-1100	HP-2004
Colt	1.5L L4 F/I	E-2875	HP-1005	D350	5.9L V8 CARB	E-1100	HP-2004
D100	3.9L V6 F/I		HP-1002	Dakota	2.2L L4 CARB	E-1080	HP-1002
D100	5.2L V8 F/I	E-1100	HP-2004	Dakota	3.9L V6 F/I	E-1290	HP-1002
D150	3.9L V6 F/I		HP-1002	Daytona	2.2L L4 F/I	33-2006	HP-1002
D150	5.2L V8 F/I	E-1100	HP-2004	Daytona	2.5L L4 F/I	E-1923	HP-1002
D150	5.9L V8 F/I	E-1100	HP-2004	Diplomat	5.2L V8 2 BBL.	E-1100	HP-2004
D250	5.2L V8 F/I	E-1100	HP-2004	Diplomat	5.2L V8 4 BBL.	E-1530	HP-2004
D250	5.9L L6 DSL	E-1023	HP-4003	Dynasty	3.0L V6 F/I	33-2002	HP-1002
D250	5.9L V8 F/I	E-1100	HP-2004	Grand Caravan	3.0L V6 F/I	33-2002	HP-2002
D350	5.9L L6 DSL	E-1023	HP-4003	Lancer	2.2L L4 F/I		HP-1002
D350	5.9L V8 F/I	E-1100	HP-2004	Lancer	2.2L L4 F/I - Turbo	33-2006	HP-1002
Dakota	2.5L L4 F/I	33-2006	HP-1002	Lancer	2.5L L4 F/I	E-1923	HP-1002
Dakota	3.9L V6 F/I	E-1290	HP-1002	Omni	2.2L L4 F/I	33-2002	HP-1002
Dakota	5.2L V8 F/I	E-1290	HP-2004	Raider	2.6L L4 CARB	E-2723	HP-1005
Daytona	2.2L L4 F/I	33-2006	HP-1002	Ram 50	2.0L L4 CARB	E-2810	HP-1005
Daytona	2.5L L4 F/I		HP-1002	Ram 50	2.6L L4 CARB	E-2810	HP-1005
Daytona	2.5L L4 F/I - exc. Turbo	E-1923	HP-1002	Ramcharger	5.2L V8 F/I	E-1290	HP-2004
Daytona	2.5L L4 F/I - Turbo	33-2006	HP-1002	Ramcharger	5.9L V8 CARB	E-1100	HP-2004
Dynasty	3.0L V6 F/I	33-2002	HP-1002	Shadow	2.2L L4 F/I		HP-1002
Grand Caravan	3.0L V6 F/I	33-2002	HP-1002	Shadow	2.2L L4 F/I - exc. Turbo	E-1923	HP-1002
Lancer	2.2L L4 F/I	E-1923	HP-1002	Shadow	2.2L L4 F/I - Turbo	33-2006	HP-1002
Lancer	2.5L L4 F/I		HP-1002	Shadow	2.5L L4 F/I	E-1923	HP-1002
Lancer	2.5L L4 F/I - Turbo	33-2006	HP-1002	W100	5.2L V8 F/I	E-1290	HP-2004
Omni	2.2L L4 F/I	33-2002	HP-1002	W100	5.9L V8 CARB	E-1100	HP-2004
Raider	2.6L L4 CARB	E-2723	HP-1005	W150 Pickup	5.2L V8 F/I	E-1290	HP-2004
Raider	3.0L V6 F/I	E-2875	HP-1005	W150 Pickup	5.9L V8 CARB	E-1100	HP-2004
Ram 50	2.0L L4 CARB	E-2810	HP-1005	W250 Pickup	5.9L V8 CARB	E-1100	HP-2004
Ram 50	2.6L L4 CARB	E-2810	HP-1005	W350 Pickup	5.9L V8 CARB	E-1100	HP-2004
Ramcharger	5.2L V8 F/I	E-1100	HP-2004	<b>1987 DODGE</b>			
Ramcharger	5.9L V8 F/I	E-1100	HP-2004	600	2.2L L4 F/I - exc. Turbo	E-1923	HP-1002
Shadow	2.2L L4 F/I	E-1923	HP-1002	600	2.2L L4 F/I - Turbo	33-2006	HP-1002
Shadow	2.5L L4 F/I		HP-1002	600	2.5L L4 F/I	E-1923	HP-1002
Shadow	2.5L L4 F/I - exc. Turbo	E-1923	HP-1002	Aries	2.2L L4 F/I	E-1923	HP-1002
Shadow	2.5L L4 F/I - Turbo	33-2006	HP-1002	Caravan	2.6L L4 CARB	E-1004	HP-1005
Spirit	2.5L L4 F/I		HP-1002	Caravan	3.0L V6 F/I	33-2002	HP-1002
Spirit	2.5L L4 F/I - exc. Turbo	E-1923	HP-1002	Charger	2.2L L4 F/I	33-2006	HP-1002

\*Indicates 2 filters required    ♦ - Intake kit available    Applications updated daily at [knfilters.com](http://knfilters.com) ®

**Partial Listing - Complete List of Vehicles and Applications at [knfilters.com](http://knfilters.com)**

# DODGE

# AIR & OIL FILTERS

Vehicle	Engine Type	Air Filter	Oil Filter
<b>1987 DODGE</b>			
D100	3.7L L6 CARB	E-1100	HP-2004
D100	5.2L V8 CARB	E-1100	HP-2004
D100	5.9L V8 CARB	E-1100	HP-2004
D150	3.7L L6 CARB	E-1100	HP-2004
D150	5.2L V8 CARB	E-1100	HP-2004
D150	5.9L V8 CARB	E-1100	HP-2004
D250	5.9L V8 CARB	E-1100	HP-2004
D350	5.9L V8 CARB	E-1100	HP-2004
Dakota	2.2L L4 CARB	E-1080	HP-1002
Dakota	3.9L V6 CARB	E-1100	HP-1002
Daytona	2.2L L4 F/I	33-2006	HP-1002
Daytona	2.5L L4 F/I	E-1923	HP-1002
Diplomat	5.2L V8 2 BBL.	E-1100	HP-2004
Diplomat	5.2L V8 4 BBL.	E-1530	HP-2004
Lancer	2.2L L4 F/I - exc. Turbo	E-1923	HP-1002
Lancer	2.2L L4 F/I - Turbo	33-2006	HP-1002
Lancer	2.5L L4 F/I	E-1923	HP-1002
Omni	2.2L L4 CARB	33-2006	HP-1002
Omni	2.2L L4 F/I	33-2006	HP-1002
Raider	2.6L L4 CARB	E-2723	HP-1005
Ram 50	2.0L L4 CARB	E-2810	HP-1005
Ram 50	2.6L L4 CARB	E-2810	HP-1005
Ramcharger	5.2L V8 CARB	E-1100	HP-2004
Ramcharger	5.9L V8 CARB	E-1100	HP-2004
Shadow	2.2L L4 F/I	HP-1002	HP-1002
Shadow	2.2L L4 F/I - exc. Turbo	E-1923	HP-1002
Shadow	2.2L L4 F/I - Turbo	33-2006	HP-1002
W150 Pickup	5.2L V8 CARB	E-1100	HP-2004
W150 Pickup	5.9L V8 CARB	E-1100	HP-2004
W250 Pickup	5.2L V8 CARB	E-1100	HP-2004
W250 Pickup	5.9L V8 CARB	E-1100	HP-2004

<b>1986 DODGE</b>			
600	2.2L L4 F/I		HP-1002
600	2.2L L4 F/I - exc. Turbo	E-1923	HP-1002
600	2.2L L4 F/I - Turbo	33-2006	HP-1002
600	2.5L L4 F/I	E-1923	HP-1002
B250 Van	5.2L V8 CARB	E-1100	HP-2004
Caravan	2.2L L4 CARB	33-2006	HP-1002
Charger	2.2L L4 CARB	33-2006	HP-1002
Charger	2.2L L4 F/I	33-2006	HP-1002
Conquest	2.6L L4 F/I	E-2873	HP-1005
D100	3.7L L6 CARB	E-1100	HP-2004
D100	5.2L V8 CARB	E-1100	HP-2004
D150	3.7L L6 CARB	E-1100	HP-2004
D150	5.2L V8 CARB	E-1100	HP-2004
D150	5.9L V8 CARB	E-1100	HP-2004
D250	5.2L V8 CARB	E-1100	HP-2004
Daytona	2.2L L4 F/I - exc. Turbo	E-1923	HP-1002
Daytona	2.2L L4 F/I - Turbo	33-2006	HP-1002
Daytona	2.5L L4 F/I	E-1923	HP-1002
Omni	2.2L L4 CARB	33-2006	HP-1002
Omni	2.2L L4 F/I	33-2006	HP-1002
Power Ram 50	2.6L L4 CARB	E-2810	HP-1005
Ram 50	2.0L L4 CARB	E-2810	HP-1005
Ram 50	2.6L L4 CARB	E-2810	HP-1005
Ramcharger	5.2L V8 CARB	E-1100	HP-2004
Ramcharger	5.9L V8 CARB	E-1100	HP-2004
W100	5.2L V8 CARB	E-1100	HP-2004
W150 Pickup	3.7L L6 CARB	E-1100	HP-2004
W150 Pickup	5.2L V8 CARB	E-1100	HP-2004
W150 Pickup	5.9L V8 CARB	E-1100	HP-2004
W250 Pickup	5.2L V8 CARB	E-1100	HP-2004
W250 Pickup	5.9L V8 CARB	E-1100	HP-2004

Vehicle	Engine Type	Air Filter	Oil Filter
<b>1986 DODGE</b>			
W350 Pickup	5.9L V8 CARB	E-1100	HP-2004
<b>1985 DODGE</b>			
600	2.2L L4 F/I - exc. Turbo	33-2002	HP-1002
600	2.2L L4 F/I - Turbo	33-2006	HP-1002
B150 Van	5.2L V8 CARB	E-1100	HP-2004
B250 Van	5.2L V8 CARB	E-1100	HP-2004
Charger	2.2L L4 CARB	33-2006	HP-1002
Charger	2.2L L4 F/I	33-2006	HP-1002
D150	3.7L L6 CARB	E-1100	HP-2004
D150	5.2L V8 CARB	E-1100	HP-2004
D150	5.9L V8 CARB	E-1100	HP-2004
D250	5.2L V8 CARB	E-1100	HP-2004
D250	5.9L V8 CARB	E-1100	HP-2004
D350	5.9L V8 CARB	E-1100	HP-2004
Daytona	2.2L L4 F/I		HP-1002
Daytona	2.2L L4 F/I - exc. Turbo	33-2002	HP-1002
Daytona	2.2L L4 F/I - Turbo	33-2006	HP-1002
Diplomat	5.2L V8 2 BBL.	E-1100	HP-2004
Diplomat	5.2L V8 4 BBL.	E-1530	HP-2004
Lancer	2.2L L4 F/I		HP-1002
Lancer	2.2L L4 F/I - Turbo	33-2006	HP-1002
Omni	2.2L L4 CARB	33-2006	HP-1002
Omni	2.2L L4 F/I	33-2006	HP-1002
Power Ram 50	2.6L L4 CARB	E-2810	HP-1005
Ram 50	2.0L L4 CARB	E-2810	HP-1005
Ram 50	2.6L L4 CARB	E-2810	HP-1005
Ramcharger	5.2L V8 CARB	E-1100	HP-2004
Ramcharger	5.9L V8 CARB	E-1100	HP-2004
W150 Pickup	3.7L L6 CARB	E-1100	HP-2004
W150 Pickup	5.2L V8 CARB	E-1100	HP-2004
W150 Pickup	5.9L V8 CARB	E-1100	HP-2004
W250 Pickup	5.9L V8 CARB	E-1100	HP-2004
W350 Pickup	5.9L V8 CARB	E-1100	HP-2004

<b>1984 DODGE</b>			
Aries	2.2L L4 CARB	33-2006	HP-1002
D150	3.7L L6 CARB	E-1100	HP-2004
D150	5.2L V8 CARB	E-1100	HP-2004
D150	5.9L V8 CARB	E-1100	HP-2004
D250	5.9L V8 CARB	E-1100	HP-2004
D350	5.9L V8 CARB	E-1100	HP-2004
Daytona	2.2L L4 F/I - exc. Turbo	33-2002	HP-1002
Daytona	2.2L L4 F/I - Turbo	33-2006	HP-1002
Ramcharger	5.2L V8 CARB	E-1100	HP-2004
Ramcharger	5.9L V8 CARB	E-1100	HP-2004
Rampage	2.2L L4 CARB		HP-1002
W150 Pickup	5.2L V8 CARB	E-1100	HP-2004
W150 Pickup	5.9L V8 CARB	E-1100	HP-2004
W350 Pickup	5.9L V8 CARB	E-1100	HP-2004

<b>1983 DODGE</b>			
B150 Van	5.2L V8 CARB		HP-2004
Charger	2.2L L4 CARB		HP-1002
D150	3.7L L6 CARB	E-1100	HP-2004
D150	5.2L V8 CARB	E-1100	HP-2004
Omni	1.7L L4 CARB	E-2190	HP-1002
Ramcharger	5.2L V8 CARB	E-1100	HP-2004
W150 Pickup	5.2L V8 CARB	E-1100	HP-2004

<b>1982 DODGE</b>			
Colt	1.4L L4 CARB	E-2750	HP-1005
D50 Pickup	2.6L L4 CARB	E-2810	HP-1005
D150	3.7L L6 CARB	E-1100	HP-2004
D150	5.2L V8 CARB	E-1100	HP-2004
Ramcharger	5.2L V8 CARB	E-1100	HP-2004

\*Indicates 2 filters required

◆ - Intake kit available

Applications updated daily at [knfilters.com](http://knfilters.com) ®

# AIR & OIL FILTERS

# DODGE

Vehicle	Engine Type	Air Filter	Oil Filter	Vehicle	Engine Type	Air Filter	Oil Filter
<b>1981 DODGE</b>				<b>1976 DODGE</b>			
B150 Van	5.2L V8 CARB		HP-2004	B300	360 V8 CARB	E-1250	HP-2004
D150	5.2L V8 CARB	E-1100	HP-2004	B300	440 V8 CARB	E-1250	HP-2004
Diplomat	3.7L L6 CARB	E-1100	HP-2004	Charger	400 V8 CARB	E-1530	HP-2004
Ramcharger	5.2L V8 CARB	E-1100	HP-2004	D100	225 L6 CARB	E-1000	HP-2004
W150 Pickup	5.9L V8 CARB	E-1100	HP-2004	D100	318 V8 CARB	E-1100	HP-2004
W350 Pickup	5.9L V8 CARB	E-1100	HP-2004	D100	360 V8 CARB	E-1250	HP-2004
<b>1980 DODGE</b>				Dart	318 V8 CARB	E-1100	HP-2004
Challenger	2.6L L4 CARB	E-2810	HP-1005	Motorhome	360 V8 2 BBL. - Class C, w/ 3-1/2 in Tall Filter	E-1250	
D400 Pickup	360 V8 CARB	E-1530	HP-2004	Motorhome	360 V8 4 BBL. - Class C, w/ 3-1/2 in Tall Filter	E-1250	
Omni	105 L4 CARB	E-2190	HP-1002	Motorhome	440 V8 4 BBL. - Class A	E-1530	
Ramcharger	360 V8 CARB	E-1530	HP-2004	Motorhome	440 V8 4 BBL. - Class C	E-1250	
<b>1979 DODGE</b>				W200	318 V8 CARB	E-1100	HP-2004
Cb300	440 V8 CARB - 3-1/2 in tall filter	E-1250		W200	360 V8 CARB	E-1250	HP-2004
D100	360 V8 CARB	E-1100	HP-2004	W200	400 V8 CARB	E-1250	HP-2004
D150	360 V8 2 BBL.	E-1100	HP-2004	<b>1975 DODGE</b>			
D150	360 V8 4 BBL.	E-1530	HP-2004	Charger	360 V8 CARB	E-1530	HP-2004
D400 Pickup	360 V8 CARB	E-1530	HP-2004	D100	318 V8 CARB	E-1100	HP-2004
Magnum	360 V8 CARB	E-1530	HP-2004	D100	360 V8 CARB	E-1250	HP-2004
Ramcharger	318 V8 4 BBL.	E-1250	HP-2004	D200	360 V8 CARB	E-1250	HP-2004
Ramcharger	360 V8 2 BBL.	E-1100	HP-2004	Dart	225 L6 CARB	E-1000	HP-2004
Ramcharger	360 V8 4 BBL.	E-1530	HP-2004	Dart	318 V8 CARB	E-1100	HP-2004
W150 Pickup	318 V8 4 BBL.	E-1250	HP-2004	Dart	360 V8 CARB	E-1530	HP-2004
W150 Pickup	360 V8 2 BBL.	E-1100	HP-2004	Motorhome	360 V8 2 BBL. - Class C, w/ 3-1/2 in Tall Filter	E-1250	
W150 Pickup	360 V8 4 BBL.	E-1530	HP-2004	Motorhome	360 V8 4 BBL. - Class C, w/ 3-1/2 in Tall Filter	E-1250	
W300	360 V8 CARB	E-1530	HP-2004	<b>1974 DODGE</b>			
<b>1978 DODGE</b>				Challenger	360 V8 CARB	E-1530	HP-2004
B300	318 V8 CARB	E-1100	HP-2004	Charger	318 V8 CARB	E-1100	HP-2004
B300	440 V8 CARB	E-1250	HP-2004	Charger	360 V8 CARB	E-1530	HP-2004
D100	440 V8 CARB	E-1250	HP-2004	Charger	400 V8 CARB	E-1530	HP-2004
D150	318 V8 CARB	E-1100	HP-2004	Charger	440 V8 CARB	E-1530	HP-2004
D150	360 V8 CARB	E-1250	HP-2004	Dart	225 L6 CARB	E-1000	HP-2004
Magnum	360 V8 CARB	E-1530	HP-2004	Dart	318 V8 CARB	E-1100	HP-2004
Motorhome	440 V8 4 BBL. - Class C	E-1250		Dart	360 V8 CARB	E-1530	HP-2004
Ramcharger	360 V8 CARB	E-1250	HP-2004	W100 Pickup	360 V8 CARB	E-1250	HP-2004
Ramcharger	440 V8 CARB	E-1250	HP-2004	<b>1973 DODGE</b>			
W150 Pickup	360 V8 CARB	E-1250	HP-2004	B100 Van	225 L6 CARB - exc. 1qt. cart. type		HP-3001
W150 Pickup	440 V8 CARB	E-1250	HP-2004	Challenger	340 V8 CARB	E-1530	HP-2004
<b>1977 DODGE</b>				Charger	318 V8 CARB	E-1100	HP-2004
Aspen	225 L6 1 BBL.	E-1000	HP-2004	Charger	340 V8 CARB	E-1530	HP-2004
Aspen	225 L6 2 BBL.	E-1100	HP-2004	Charger	400 V8 CARB	E-1530	HP-2004
B300	360 V8 CARB	E-1250	HP-2004	Charger	440 V8 CARB	E-1530	HP-2004
B300	440 V8 CARB	E-1250	HP-2004	Dart	225 L6 CARB	E-1000	HP-2004
D100	318 V8 CARB	E-1100	HP-2004	Dart	318 V8 CARB	E-1100	HP-2004
D100	360 V8 CARB	E-1250	HP-2004	Dart	340 V8 CARB	E-1530	HP-2004
D100	440 V8 CARB		HP-2004	W100 Pickup	360 V8 CARB	E-1250	HP-3001
D100	440 V8 CARB - 3-1/2 in tall filter	E-1250	HP-2004	<b>1972 DODGE</b>			
D200	360 V8 CARB	E-1250	HP-2004	Challenger	318 V8 CARB	E-1100	HP-3001
Motorhome	440 V8 4 BBL. - Class A	E-1530		Challenger	340 V8 CARB	E-1530	HP-3001
Motorhome	440 V8 4 BBL. - Class C	E-1250		Charger	318 V8 CARB	E-1100	HP-3001
Ramcharger	360 V8 CARB	E-1250	HP-2004	Charger	340 V8 CARB	E-1530	HP-3001
Ramcharger	440 V8 CARB - 3-1/2 in tall filter	E-1250		Charger	400 V8 CARB	E-1530	HP-3001
W100	318 V8 CARB	E-1100	HP-2004	Charger	440 V8 3x2BBL.	E-1980	HP-3001
W150 Pickup	360 V8 CARB	E-1250	HP-2004	Charger	440 V8 4 BBL.	E-1530	HP-3001
W200	318 V8 CARB	E-1100	HP-2004	D100 Pickup	360 V8 CARB	E-1250	
W200	360 V8 CARB	E-1250	HP-2004	Dart	225 L6 CARB	E-1000	HP-3001
W200	440 V8 CARB - 3-1/2 in tall filter	E-1250		Dart	318 V8 CARB	E-1100	HP-3001
W300	440 V8 CARB - 3-1/2 in tall filter	E-1250		Dart	340 V8 CARB	E-1530	HP-3001

\*Indicates 2 filters required    ♦ - Intake kit available    Applications updated daily at [knfilters.com](http://knfilters.com) ®

**Partial Listing - Complete List of Vehicles and Applications at [knfilters.com](http://knfilters.com)**

# DODGE

# AIR & OIL FILTERS

Vehicle	Engine Type	Air Filter	Oil Filter	Vehicle	Engine Type	Air Filter	Oil Filter
<b>1971 DODGE</b>				<b>1969 DODGE</b>			
Challenger	340 V8 3x2BBL.	E-1980	HP-3001	Coronet	440 V8 CARB		HP-3001
Challenger	340 V8 4 BBL.	E-1530	HP-3001	Coronet	440 V8 CARB - w/ram air	E-1980	HP-3001
Challenger	383 V8 CARB	E-1530	HP-3001	Dart	225 L6 CARB	E-1000	HP-3001
Challenger	426 V8 CARB	E-1980	HP-3001	Dart	318 V8 CARB	E-1100	HP-3001
Challenger	440 V8 CARB	E-1980	HP-3001	Dart	340 V8 CARB	E-1530	HP-3001
Charger	225 L6 CARB	E-1000	HP-3001	Dart	383 V8 CARB	E-1540	HP-3001
Charger	318 V8 CARB	E-1100	HP-3001	<b>1968 DODGE</b>			
Charger	340 V8 CARB	E-1530	HP-3001	A100	225 L6 CARB	E-1000	HP-3001
Charger	383 V8 CARB	E-1530	HP-3001	Charger	318 V8 CARB	E-1100	HP-3001
Charger	426 V8 CARB	E-1980	HP-3001	Charger	383 V8 CARB	E-1540	HP-3001
Charger	440 V8 3x2BBL.	E-1980	HP-3001	Charger	426 V8 CARB	E-1980	HP-3001
Charger	440 V8 4 BBL.	E-1530	HP-3001	Charger	440 V8 CARB		HP-3001
Dart	225 L6 CARB	E-1000	HP-3001	Charger	440 V8 CARB - w/o snorkel	E-1530	HP-3001
Dart	318 V8 CARB	E-1100	HP-3001	Charger	440 V8 CARB - w/snorkel	E-1540	HP-3001
Dart	340 V8 CARB	E-1530	HP-3001	Coronet	318 V8 CARB	E-1100	HP-3001
<b>1970 DODGE</b>				Coronet	383 V8 CARB	E-1540	HP-3001
Challenger	198 L6 CARB	E-1000	HP-3001	Coronet	426 V8 CARB	E-1980	HP-3001
Challenger	318 V8 CARB	E-1100	HP-3001	Coronet	440 V8 CARB		HP-3001
Challenger	340 V8 3x2BBL.	E-1980	HP-3001	Coronet	440 V8 CARB - w/o snorkel	E-1530	HP-3001
Challenger	340 V8 4 BBL.	E-1530	HP-3001	Coronet	440 V8 CARB - w/snorkel	E-1540	HP-3001
Challenger	383 V8 CARB	E-1530	HP-3001	Dart	225 L6 CARB	E-1000	HP-3001
Challenger	426 V8 CARB	E-1980	HP-3001	Dart	318 V8 CARB	E-1100	HP-3001
Challenger	440 V8 3x2BBL.	E-1980	HP-3001	Dart	340 V8 CARB	E-1530	HP-3001
Challenger	440 V8 4 BBL.		HP-3001	Dart	383 V8 CARB	E-1530	HP-3001
Challenger	440 V8 4 BBL. - Dual Snorkel	E-1530	HP-3001	<b>1967 DODGE</b>			
Challenger	440 V8 4 BBL. - single snorkel	E-1540	HP-3001	Charger	318 V8 CARB	E-1100	HP-3001
Charger	225 L6 CARB	E-1000	HP-3001	Charger	383 V8 CARB	E-1540	HP-3001
Charger	318 V8 CARB	E-1100	HP-3001	Charger	426 V8 CARB	E-1980	HP-3001
Charger	383 V8 CARB	E-1530	HP-3001	Charger	440 V8 CARB		HP-3001
Charger	426 V8 CARB	E-1980	HP-3001	Coronet	225 L6 CARB	E-1000	HP-3001
Charger	440 V8 3x2BBL.	E-1980	HP-3001	Coronet	318 V8 CARB	E-1100	HP-3001
Charger	440 V8 4 BBL.		HP-3001	Coronet	383 V8 CARB	E-1540	HP-3001
Charger	440 V8 4 BBL. - Dual Snorkel	E-1530	HP-3001	Coronet	426 V8 CARB	E-1980	HP-3001
Charger	440 V8 4 BBL. - single snorkel	E-1540	HP-3001	Coronet	440 V8 CARB		HP-3001
Coronet	383 V8 CARB	E-1530	HP-3001	Dart	170 L6 CARB	E-1000	HP-3001
Coronet	440 V8 3x2BBL.	E-1980	HP-3001	Dart	225 L6 CARB	E-1000	HP-3001
Coronet	440 V8 4 BBL.		HP-3001	Dart	273 V8 CARB	E-1957	HP-3001
Coronet	440 V8 4 BBL. - Dual Snorkel	E-1530	HP-3001	Dart	318 V8 CARB - exc. 1qt. cart. type		HP-3001
Coronet	440 V8 4 BBL. - single snorkel	E-1540	HP-3001	Dart	383 V8 CARB	E-1540	HP-3001
D100 Pickup	318 V8 CARB - exc. 1qt. cart. type		HP-3001	<b>1966 DODGE</b>			
D300 Pickup	383 V8 CARB	E-1530	HP-3001	Charger	361 V8 CARB	E-1540	HP-3001
Dart	225 L6 CARB	E-1000	HP-3001	Charger	383 V8 CARB	E-1540	HP-3001
Dart	318 V8 CARB	E-1100	HP-3001	Charger	426 V8 CARB	E-1980	HP-3001
Dart	340 V8 CARB	E-1530	HP-3001	Charger	440 V8 CARB	E-1957	HP-3001
<b>1969 DODGE</b>				Coronet	318 V8 CARB	E-1957	HP-3001
Charger	225 L6 CARB	E-1000	HP-3001	Coronet	426 V8 CARB	E-1980	HP-3001
Charger	318 V8 CARB	E-1100	HP-3001	Coronet	440 V8 CARB	E-1957	HP-3001
Charger	383 V8 CARB		HP-3001	Dart	225 L6 CARB	E-1000	HP-3001
Charger	383 V8 CARB - w/air control	E-1450	HP-3001	<b>1965 DODGE</b>			
Charger	383 V8 CARB - w/o air control	E-1540	HP-3001	Coronet	318 V8 CARB	E-1957	HP-3001
Charger	426 V8 CARB	E-1980	HP-3001	Dart	225 L6 CARB	E-1000	HP-3001
Charger	440 V8 CARB		HP-3001	Dart	273 V8 CARB	E-1957	HP-3001
Charger	440 V8 CARB - w/o snorkel	E-1530	HP-3001	Polara	383 V8 CARB	E-1540	HP-3001
Charger	440 V8 CARB - w/snorkel	E-1540	HP-3001	<b>1963 DODGE</b>			
Coronet	318 V8 CARB	E-1100	HP-3001	Dart	225 L6 CARB	E-1000	HP-3001
Coronet	383 V8 CARB	E-1530	HP-3001	<b>2011 DUCATI</b>			
Coronet	426 V8 CARB	E-1980	HP-3001	848	848	DU-1007	

\*Indicates 2 filters required

◆ - Intake kit available

Applications updated daily at [knfilters.com](http://knfilters.com) ®



# AIR & OIL FILTERS

# DUCATI

Vehicle	Engine Type	Air Filter	Oil Filter	Vehicle	Engine Type	Air Filter	Oil Filter
<b>2011 DUCATI</b>				<b>2008 DUCATI</b>			
1198	1198	DU-1007		Desmosedici RR	968		KN-153
1198R Corse	1198	DU-1007		GT1000	992		KN-153
1198S	1198	DU-1007		Hypermotard 1100	1079	DU-1006	KN-153
1198SP	1198	DU-1007		Hypermotard 1100s	1079	DU-1006	KN-153
Hypermotard 796	796	DU-1006		Monster 400	400	DU-9001	KN-153
Hypermotard 1100 EVO	1100	DU-1006		Monster 695	696	DU-9001	KN-153
Hypermotard 1100 EVO SP	1100	DU-1006		Monster 696	696	DU-6908	KN-153
Monster 696	696	DU-6908		Monster 1100	1100		KN-153
Monster 796	796	DU-6908		Monster 1100s	1100		KN-153
Monster 1100 EVO	1100	DU-6908		Monster S2R 1000	992	DU-9001	KN-153
Multistrada 1200	1200	DU-1007		Monster S4R	997		KN-153
Multistrada 1200s	1200	DU-1007		Testastretta			
Multistrada 1200S Touring	1200	DU-1007		Monster S4Rs	997		KN-153
Street Fighter	1100	DU-1007		Testastretta			
Street Fighter S	1100	DU-1007		Monster S4Rs	998	DU-9001	KN-153
<b>2010 DUCATI</b>				<b>2007 DUCATI</b>			
848	848	DU-1007		800SS	800	DU-9098	KN-153
1198	1198	DU-1007		1098	1098	DU-1007	KN-153
1198R Corse	1198	DU-1007		1098s	1098	DU-1007	KN-153
1198S	1198	DU-1007		1098s Tricolore	1098	DU-1007	KN-153
1198S Corse	1198	DU-1007		GT1000	992	DU-1006	KN-153
GT1000	992	DU-1006		Monster 400	400	DU-9001	KN-153
GT1000 Touring	992	DU-1006		Monster 695	696	DU-9001	KN-153
Hypermotard 796	796	DU-1006	KN-153	Monster S2R	803	DU-9001	KN-153
Hypermotard 1100 EVO	1100	DU-1006	KN-153	Monster S2R 1000	992	DU-9001	KN-153
Hypermotard 1100 EVO SP	1100	DU-1006	KN-153	Monster S4R	997	DU-9001	KN-153
Monster 696	696	DU-6908		Testastretta			
Monster 796	796	DU-6908		Monster S4Rs	997	DU-9001	KN-153
Monster 1100	1100	DU-6908	KN-153	Testastretta			
Monster 1100s	1100	DU-6908		Multistrada 1100	1078	DU-1004	KN-153
Multistrada 1200	1200	DU-1007		Multistrada 1100s	1078	DU-1004	KN-153
Multistrada 1200s	1200	DU-1007		Sport 1000 Biposto	992	DU-1006	KN-153
Sport 1000S	992	DU-1006		Sport 1000	992	DU-1006	KN-153
Street Fighter	1100	DU-1007	KN-153	Monoposto			
Street Fighter S	1100	DU-1007	KN-153	Sport 1000S	992	DU-1006	KN-153
<b>2009 DUCATI</b>				<b>2006 DUCATI</b>			
848	848	DU-1007	KN-153	749	749		KN-153
1098R	1198	DU-1007		749 Dark	749		KN-153
1098R Bayliss LE	1198	DU-1007		749R	749		KN-153
1198	1198	DU-1007	KN-153	749S	749		KN-153
1198S	1198	DU-1007	KN-153	800SS	800	DU-9098	KN-153
GT1000	992	DU-1006	KN-153	999	999		KN-153
GT1000 Touring	992	DU-1006	KN-153	999R	999		KN-153
Hypermotard 1100	1079	DU-1006	KN-153	999S	999		KN-153
Hypermotard 1100s	1079	DU-1006	KN-153	1000SS	1000	DU-9098	KN-153
Monster 696	696	DU-6908	KN-153	Monster 400	400	DU-9001	KN-153
Monster 1100	1100	DU-6908	KN-153	Monster 620	620	DU-9001	KN-153
Monster 1100s	1100	DU-6908	KN-153	Monster 620 Dark	620	DU-9001	KN-153
Multistrada 1100	1078	DU-1004	KN-153	Monster S2R	803	DU-9001	KN-153
Multistrada 1100s	1078	DU-1004	KN-153	Monster S2R 1000	992	DU-9001	KN-153
Sport 1000S	992	DU-1006	KN-153	Monster S2R Dark	803	DU-9001	KN-153
Street Fighter	1100	DU-1007	KN-153	Monster S4R	996	DU-9001	KN-153
Street Fighter S	1100	DU-1007	KN-153	Monster S4Rs	997	DU-9001	KN-153
<b>2008 DUCATI</b>				<b>2006 DUCATI</b>			
848	848	DU-1007	KN-153	Testastretta			
1098	1098	DU-1007	KN-153	Multistrada 620	620	DU-1004	KN-153
1098R	1198	DU-1007		Multistrada 620 Dark	620	DU-1004	KN-153
1098s	1098	DU-1007	KN-153	Multistrada 1000 DS	999	DU-1004	KN-153

\*Indicates 2 filters required

◆ - Intake kit available

Applications updated daily at [knfilters.com](http://knfilters.com) ®

Partial Listing - Complete List of Vehicles and Applications at [knfilters.com](http://knfilters.com)

# DUCATI

# AIR & OIL FILTERS

Vehicle	Engine Type	Air Filter	Oil Filter	Vehicle	Engine Type	Air Filter	Oil Filter
<b>2006 DUCATI</b>				<b>2003 DUCATI</b>			
Multistrada 1000s DS	999	DU-1004	KN-153	800SS	800	DU-9098	KN-153
Paul Smart 1000 LE	992	DU-1006	KN-153	998	998		KN-153
Sport 1000	992	DU-1006	KN-153	999	999		KN-153
ST3	992	DU-9098	KN-153	999S	999		KN-153
<b>2005 DUCATI</b>				1000SS	1000	DU-9098	KN-153
749	749		KN-153	Monster 400	400	DU-9098	KN-153
749 Dark	749		KN-153	Monster 400 Dark	400	DU-9098	KN-153
749R	749		KN-153	Monster 620	618	DU-9001	KN-153
749S	749		KN-153	Monster 620 Dark	618	DU-9001	KN-153
800SS	803	DU-9098	KN-153	Monster 620 i.e.	620		KN-153
999	999		KN-153	Monster 620s	620	DU-6202	KN-153
999R	999		KN-153	Monster 800 i.e.	800		KN-153
999S	999		KN-153	Monster 800s i.e.	800	DU-9001	KN-153
1000SS	1000	DU-9098	KN-153	Monster 1000 i.e.	1000	DU-9001	KN-153
Monster 400	400		KN-153	Monster S4	916	DU-9001	KN-153
Monster 400 Dark i.e.	400	DU-9001	KN-153	Monster S4R	916	DU-9001	KN-153
Monster 400 i.e.	400	DU-9001	KN-153	Multistrada 1000 DS	1000	DU-1004	KN-153
Monster 620	620	DU-9001	KN-153	ST2	944	DU-9098	KN-153
Monster 620 Dark	620	DU-9001	KN-153	ST4	992	DU-9098	KN-153
Monster 620 Dark i.e.	620		KN-153	ST4s	992	DU-9098	KN-153
Monster 620 Dark MD	620	DU-9001	KN-153	<b>2002 DUCATI</b>			
Monster 620 i.e.	620		KN-153	748	748		KN-153
Monster 1000 i.e.	1000	DU-9001	KN-153	748R	748		KN-153
Monster 1000S i.e.	1000	DU-9001	KN-153	748S	748		KN-153
Monster S2R	803	DU-9001	KN-153	750 Sport	750		KN-153
Monster S2R Dark	803	DU-9001	KN-153	750SS i.e.	750	DU-9098	KN-153
Monster S4R	996	DU-9001	KN-153	900 Sport	900		KN-153
Multistrada 620	618	DU-1004	KN-153	900SS i.e.	900	DU-0900	KN-153
Multistrada 620 Dark	618	DU-1004	KN-153	998	998		KN-153
Multistrada 1000 DS	999	DU-1004	KN-153	998R	998		KN-153
Multistrada 1000s DS	999	DU-1004	KN-153	998S	998		KN-153
ST3	992	DU-9098	KN-153	MH900e	900		KN-153
ST4s	992	DU-9098	KN-153	Monster 400	400	DU-9098	KN-153
<b>2004 DUCATI</b>				Monster 400 Dark	400	DU-9098	KN-153
749	749		KN-153	Monster 620	620	DU-9001	KN-153
749R	749		KN-153	Monster 620s	620	DU-6202	KN-153
749S	749		KN-153	Monster 750 Dark i.e.	750	DU-9001	KN-153
800SS	803	DU-9098	KN-153	Monster 750 i.e.	750	DU-9001	KN-153
998 Matrix	998		KN-153	Monster 750s i.e.	750	DU-9001	KN-153
999	999		KN-153	Monster 900	904	DU-9098	KN-153
999R	999		KN-153	Monster 900 Dark i.e.	900	DU-9098	KN-153
999S	999		KN-153	Monster 900 i.e.	904	DU-9098	KN-153
1000SS	1000	DU-9098	KN-153	Monster S4	916	DU-9001	KN-153
Monster 400	400		KN-153	ST2	944	DU-9098	KN-153
Monster 620	618	DU-9001	KN-153	ST4	992	DU-9098	KN-153
Monster 620 Dark	618	DU-9001	KN-153	ST4s	992	DU-9098	KN-153
Monster 620 Dark i.e.	620		KN-153	<b>2001 DUCATI</b>			
Monster 620 Dark MD	620	DU-9001	KN-153	748	748		KN-153
Monster 620 i.e.	620		KN-153	748R	748		KN-153
Monster 800 i.e.	800	DU-9001	KN-153	748S	748		KN-153
Monster 1000 i.e.	1000	DU-9001	KN-153	750 Sport	750		KN-153
Monster 1000S i.e.	1000	DU-9001	KN-153	750SS i.e.	750	DU-9098	KN-153
Monster S4R	916	DU-9001	KN-153	900SS i.e.	900	DU-9098	KN-153
Multistrada 1000 DS	1000	DU-1004	KN-153	996	996		KN-153
ST3	992	DU-9098	KN-153	996R	996		KN-153
ST4s	992	DU-9098	KN-153	996S	996		KN-153
<b>2003 DUCATI</b>				M600 Monster	600	DU-0900	KN-153
620 Sport	620	DU-9098	KN-153	M750 Monster	750	DU-9098	KN-153
748	748		KN-153	MH900e	904		KN-153
749	749		KN-153	Monster 400	400	DU-9098	KN-153
749S	749		KN-153	Monster 620 Dark MD	620	DU-9001	KN-153
800 Sport	800	DU-9098	KN-153	Monster 900	904	DU-9098	KN-153
				Monster 900 i.e.	904	DU-9098	KN-153

\*Indicates 2 filters required

◆ - Intake kit available

Applications updated daily at [knfilters.com](http://knfilters.com) ®

# AIR & OIL FILTERS

# DUCATI

Vehicle	Engine Type	Air Filter	Oil Filter	Vehicle	Engine Type	Air Filter	Oil Filter
<b>2001 DUCATI</b>				<b>1998 DUCATI</b>			
Monster M900 Cromo	900	DU-0900	KN-153	ST2	944	DU-9098	KN-153
Monster S4	916	DU-9001	KN-153	<b>1997 DUCATI</b>			
ST2	944	DU-9098	KN-153	600SS	583	DU-0900	KN-153
ST4	992	DU-9098	KN-153	748	748		KN-153
ST4s	992	DU-9098	KN-153	748 Biposto	748		KN-153
<b>2000 DUCATI</b>				748 SP	748		KN-153
748	748		KN-153	750SS	742	DU-0900	KN-153
748R	748		KN-153	900 SuperLight	904	DU-0900	KN-153
748S	748		KN-153	900SS	904	DU-0900	KN-153
750SS i.e.	750	DU-9098	KN-153	916 Biposto	916		KN-153
900SS i.e.	900	DU-9098	KN-153	916 Senna	916		KN-153
996	996		KN-153	916 SP	916		KN-153
996 SPS	996		KN-153	916 Strada	916		KN-153
996S	996		KN-153	M600 Monster	600	DU-0900	KN-153
M600 Monster	600	DU-0900	KN-153	M750 Monster	750	DU-0900	KN-153
M750 Monster	750	DU-9098	KN-153	Monster 900	904	DU-0900	KN-153
Monster 750 Dark	750	DU-9098	KN-153	ST2	944	DU-9098	KN-153
Monster 900	904	DU-9098	KN-153	<b>1996 DUCATI</b>			
Monster 900 i.e.	904	DU-9098	KN-153	600SS	583	DU-0900	KN-153
Monster M900 Cromo	900	DU-0900	KN-153	748 Biposto	748		KN-153
Monster M900 Dark	900	DU-9098	KN-153	748 SP	748		KN-153
Monster M900 S	900	DU-9098	KN-153	750SS	742	DU-0900	KN-153
ST2	944	DU-9098	KN-153	900 SuperLight	904	DU-0900	KN-153
ST4	916	DU-9098	KN-153	900SS	904	DU-0900	KN-153
<b>1999 DUCATI</b>				916 Biposto	916		KN-153
600SS	600	DU-0900		916 Senna	916		KN-153
748	748		KN-153	916 SP	916		KN-153
748 Biposto	748		KN-153	916 Strada	916		KN-153
748 SPS	748		KN-153	M600 Monster	600	DU-0900	KN-153
750SS	742	DU-9098	KN-153	M750 Monster	750	DU-9098	KN-153
900SS	904	DU-9098	KN-153	Monster 900	904	DU-0900	KN-153
916 SPS Fogarty	916		KN-153	<b>1995 DUCATI</b>			
Replica Ltd. Edition				600SS	583	DU-0900	KN-153
996	996		KN-153	748 Biposto	748		KN-153
996 Biposto	996		KN-153	748 SP	748		KN-153
996 SPS	996		KN-153	750SS	742	DU-0900	KN-153
M600 Monster	600	DU-0900	KN-153	900 SuperLight	904	DU-0900	KN-153
M750 Monster	750	DU-9098	KN-153	900SS	904	DU-0900	KN-153
Monster 750 Dark	750	DU-9098	KN-153	916 Biposto	916		KN-153
Monster 900	904	DU-9098	KN-153	916 SP	916		KN-153
Monster M900 City	900	DU-9098	KN-153	916 Strada	916		KN-153
Monster M900 Cromo	900	DU-9098	KN-153	M600 Monster	600	DU-0900	KN-153
Monster M900 S	900	DU-9098	KN-153	Monster 900	904	DU-0900	KN-153
ST2	944	DU-9098	KN-153	<b>1994 DUCATI</b>			
ST4	916	DU-9098	KN-153	400SS Junior Super	400		KN-153
<b>1998 DUCATI</b>				Sport			
600SS	583	DU-0900	KN-153	600SS	583	DU-0900	KN-153
748	748		KN-153	748 SP	748		KN-153
748 Biposto	748		KN-153	750SS	742	DU-0900	KN-153
748 SP	748		KN-153	888 Strada	888		KN-153
750SS	742	DU-0900	KN-153	900 SuperLight	904	DU-0900	KN-153
900SS	904	DU-0900	KN-153	900SS	904	DU-0900	KN-153
900SS FE	900	DU-0900	KN-153	916 Biposto	916		KN-153
916 Biposto	916		KN-153	916 SP	916		KN-153
916 Senna	916		KN-153	916 Strada	916		KN-153
916 SP	916		KN-153	M600 Monster	600	DU-0900	KN-153
916 Strada	916		KN-153	Monster 900	904	DU-0900	KN-153
996	996		KN-153	<b>1993 DUCATI</b>			
M600 Monster	600	DU-0900	KN-153	400SS Junior Super	400		KN-153
M750 Monster	750	DU-0900	KN-153	Sport			
Monster 900	904	DU-0900	KN-153	600SS	583	DU-0900	KN-153
Monster M900 S	900		KN-153	750SS	742	DU-0900	KN-153

\*Indicates 2 filters required

◆ - Intake kit available

Applications updated daily at [knfilters.com](http://knfilters.com) ®

**Partial Listing - Complete List of Vehicles and Applications at [knfilters.com](http://knfilters.com)**

# DUCATI

# AIR & OIL FILTERS

Vehicle	Engine Type	Air Filter	Oil Filter
<b>1993 DUCATI</b>			
888 Strada	888		KN-153
900 SuperLight	904	DU-0900	KN-153
900SS	904	DU-0900	KN-153
907 i.e.	907		KN-153
916 Biposto	916		KN-153
916 SP	916		KN-153
916 SPS	916		KN-153
M600 Monster	600	DU-0900	KN-153
Monster 900	904	DU-0900	KN-153
<b>1992 DUCATI</b>			
400SS Junior	400		KN-153
600SS	583	DU-0900	KN-153
750SS	742	DU-0900	KN-153
851 Strada	851		KN-153
888 Strada	888		KN-153
900 SuperLight	904	DU-0900	KN-153
900SS	904	DU-0900	KN-153
907 i.e.	907		KN-153
<b>1991 DUCATI</b>			
600SS	583	DU-0900	KN-153
750SS	742	DU-0900	KN-153
851 Strada	851		KN-153
900SS	904	DU-0900	KN-153
906 Paso Sport	906		KN-153
907 i.e.	907		KN-153
<b>1990 DUCATI</b>			
750 Paso	750		KN-153
750 Sport	750		KN-153
851 Strada	851		KN-153
900SS	904		KN-153
906 Paso Sport	906		KN-153
907 i.e.	907		KN-153
<b>1989 DUCATI</b>			
750 Paso	750		KN-153
750 Sport	750		KN-153
851 Strada	851		KN-153
906 Paso Sport	906		KN-153
<b>1988 DUCATI</b>			
650 Indiana Custom	650		KN-153
750 Indiana Custom	750		KN-153
750 Paso	750	DU-0900	KN-153
750 Sport	750		KN-153
906 Paso Sport	906		KN-153
<b>1987 DUCATI</b>			
650 Indiana Custom	650		KN-153
750 F1 MKII	750		KN-153
750 Indiana Custom	750		KN-153
750 Paso	750	DU-0900	KN-153
<b>1986 DUCATI</b>			
650 Indiana Custom	650		KN-153
750 F1 MKII	750		KN-153
750 Paso	750		KN-153
<b>1985 DUCATI</b>			
600 SL Pantah Sports	600		KN-153
750 F1 MKII	750		KN-153
900 S2	900		KN-153
<b>1984 DUCATI</b>			
600 SL Pantah Sports	600		KN-153
900 S2	900		KN-153

Vehicle	Engine Type	Air Filter	Oil Filter
<b>1983 DUCATI</b>			
600 SL Pantah Sports	600		KN-153
900 S2	900		KN-153
<b>1982 DUCATI</b>			
600 SL Pantah Sports	600		KN-153
900 S2	900		KN-153
<b>1981 DUCATI</b>			
600 SL Pantah Sports	600		KN-153
900 S2	900		KN-153
<b>1980 DUCATI</b>			
900 S2	900		KN-153
<b>1979 DUCATI</b>			
500 GTL Twin	500	DU-0100	
900 S2	900		KN-153
<b>1978 DUCATI</b>			
500 GTL Twin	500	DU-0100	
Desmo	900	DU-0202	
<b>1977 DUCATI</b>			
500 GTL Twin	500	DU-0100	
<b>1998 EAGLE</b>			
Talon	2.0L L4 F/I	33-2072	HP-2004
Talon TSi	2.0L L4 F/I	33-2072 ♦	HP-1010
<b>1997 EAGLE</b>			
Talon	2.0L L4 F/I	33-2072	HP-2004
Talon TSi	2.0L L4 F/I	33-2072 ♦	HP-1010
Vision	3.3L V6 F/I		HP-2004
Vision	3.5L V6 F/I	33-2066-1	HP-2004
<b>1996 EAGLE</b>			
Summit	1.5L L4 F/I	33-2074	HP-1010
Summit	1.8L L4 F/I	33-2074	HP-1010
Summit	2.4L L4 F/I		HP-1010
Summit Wagon	1.8L L4 F/I	33-2072	HP-1010
Talon	2.0L L4 F/I	33-2072	HP-2004
Talon TSi	2.0L L4 F/I	33-2072 ♦	HP-1010
Vision	3.3L V6 F/I	33-2066-1	HP-2004
Vision	3.5L V6 F/I	33-2066-1	HP-2004
<b>1995 EAGLE</b>			
Summit	1.5L L4 F/I	33-2074	HP-1010
Summit	1.8L L4 F/I	33-2074	HP-1010
Summit	2.4L L4 F/I		HP-1010
Summit Wagon	1.8L L4 F/I	33-2072	HP-1010
Talon	2.0L L4 F/I	33-2072	HP-2004
Talon TSi	2.0L L4 F/I	33-2072 ♦	HP-1010
Vision	3.3L V6 F/I	33-2066-1	HP-2004
Vision	3.5L V6 F/I	33-2066-1	HP-2004
<b>1994 EAGLE</b>			
Summit	1.5L L4 F/I	33-2074	HP-1010
Summit	1.8L L4 F/I	33-2074	HP-1010
Summit	2.4L L4 F/I	33-2072	HP-1010
Summit Wagon	1.8L L4 F/I	33-2072	HP-1010
Talon	1.8L L4 F/I	E-2875	HP-1010
Talon	2.0L L4 F/I	E-2875	HP-1010
Vision	3.3L V6 F/I	33-2066-1	HP-2004
Vision	3.5L V6 F/I	33-2066-1	HP-2004
<b>1993 EAGLE</b>			
Summit	1.8L L4 F/I	33-2074	HP-1010
Summit	2.4L L4 F/I	33-2072	HP-1010
Summit Wagon	1.8L L4 F/I	33-2072	HP-1010
Talon	1.8L L4 F/I		HP-1005

\*Indicates 2 filters required

♦ - Intake kit available

Applications updated daily at [knfilters.com](http://knfilters.com) ®

# AIR & OIL FILTERS

# EAGLE

Vehicle	Engine Type	Air Filter	Oil Filter
<b>1993 EAGLE</b>			
Talon	2.0L L4 F/I	E-2875	HP-1010
		E-2875 ♦	HP-1010
Vision	3.3L V6 F/I	33-2066-1	HP-2004
Vision	3.5L V6 F/I	33-2066-1	HP-2004
<b>1992 EAGLE</b>			
2000 GTX	2.0L L4 F/I		HP-1005
Summit	1.5L L4 F/I	E-2875	HP-1010
Summit	1.8L L4 F/I	33-2072	HP-1010
Summit	2.4L L4 F/I	33-2072	HP-1005
Talon	2.0L L4 F/I	E-2875	HP-1005
		E-2875 ♦	HP-1005
<b>1991 EAGLE</b>			
Talon	2.0L L4 F/I	E-2875	HP-1005
		E-2875 ♦	HP-1005
<b>1990 EAGLE</b>			
Talon	2.0L L4 F/I	E-2875	HP-1005
		E-2875 ♦	HP-1005
Vista	1.5L L4 CARB		HP-1005
<b>1989 EAGLE</b>			
Summit	1.5L L4 F/I	E-2875	HP-1005
Vista	2.0L L4 F/I		HP-1005
<b>2009 FANTIC</b>			
Caballero 125 Motard LC	125		KN-141
Caballero 125 R Competition LC	125		KN-141
Caballero 125 R Competition Racing LC	125		KN-141
Caballero 125 R Enduro LC	125		KN-141
<b>2008 FANTIC</b>			
Caballero 125 Motard LC	125		KN-141
Caballero 125 R Competition LC	125		KN-141
Caballero 125 R Competition Racing LC	125		KN-141
Caballero 125 R Enduro LC	125		KN-141
<b>2005 FERRARI</b>			
360	3.6L V8 F/I	33-2854*	
<b>2004 FERRARI</b>			
360	3.6L V8 F/I	33-2854*	
456 M GT	5.5L V12 F/I	33-2816*	
<b>2003 FERRARI</b>			
360	3.6L V8 F/I	33-2854*	
456 M GT	5.5L V12 F/I	33-2816*	
<b>2002 FERRARI</b>			
360	3.6L V8 F/I	33-2854*	
456 M GT	5.5L V12 F/I	33-2816*	
550 Maranello	5.5L V12 F/I	33-2816*	
<b>2001 FERRARI</b>			
360	3.6L V8 F/I	33-2854*	
456 M	5.5L V12 F/I	33-2816*	
550 Maranello	5.5L V12 F/I	33-2816*	
<b>2000 FERRARI</b>			
360	3.6L V8 F/I	33-2854*	
456 M	5.5L V12 F/I	33-2816*	

Vehicle	Engine Type	Air Filter	Oil Filter
<b>2000 FERRARI</b>			
550 Maranello	5.5L V12 F/I	33-2816*	
F355	3.5L V8 F/I	33-2816*	
F355 Spider	3.5L V8 F/I	33-2816*	
<b>1999 FERRARI</b>			
360	3.6L V8 F/I	33-2854*	
456 M	5.5L V12 F/I	33-2816*	
550 Maranello	5.5L V12 F/I	33-2816*	
F355	3.5L V8 F/I	33-2816*	
F355 Spider	3.5L V8 F/I	33-2816*	
<b>1998 FERRARI</b>			
456 GT	5.5L V12 F/I	33-2816*	
550 Maranello	5.5L V12 F/I	33-2816*	
F355 F1	3.5L V8 F/I	33-2816*	
F355 GTS	3.5L V8 F/I	33-2816*	
F355 Spider	3.5L V8 F/I	33-2816*	
<b>1997 FERRARI</b>			
456 GT	5.5L V12 F/I	33-2816	
550 Maranello	5.5L V12 F/I	33-2816*	
F355 GTS	3.5L V8 F/I	33-2816*	
F355 Spider	3.5L V8 F/I	33-2816*	
<b>1996 FERRARI</b>			
456 GT	5.5L V12 F/I	33-2816*	
550 Maranello	5.5L V12 F/I	33-2816*	
F355 Berlinetta	3.5L V8 F/I	33-2816*	
F355 GTS	3.5L V8 F/I	33-2816*	
F355 Spider	3.5L V8 F/I	33-2816*	
<b>1995 FERRARI</b>			
348 TS	3.4L V8 F/I	33-2656	
456 GT	5.5L V12 F/I	33-2816*	
F355 Berlinetta	3.5L V8 F/I	33-2816*	
F355 GTS	3.5L V8 F/I	33-2816*	
<b>1994 FERRARI</b>			
348 TB	3.4L V8 F/I	33-2656	
348 TS	3.4L V8 F/I	33-2656	
456 GT	5.5L V12 F/I	33-2816*	
F355 Berlinetta	3.5L V8 F/I	33-2816*	
F355 GTS	3.5L V8 F/I	33-2816*	
<b>1993 FERRARI</b>			
348 TB	3.4L V8 F/I	33-2656	
348 TS	3.4L V8 F/I	33-2656	
456 GT	5.5L V12 F/I	33-2816*	
<b>1992 FERRARI</b>			
348 TB	3.4L V8 F/I	33-2656	
348 TS	3.4L V8 F/I	33-2656	
F40	2.9L V8 F/I	33-2816*	
F40	3.0L V8 F/I	33-2816*	
<b>1991 FERRARI</b>			
348 TB	3.4L V8 F/I	33-2656	
348 TS	3.4L V8 F/I	33-2656	
F40	2.9L V8 F/I	33-2816*	
F40	3.0L V8 F/I	33-2816*	
Testarossa	4.9L H12 F/I	33-2799	
Testarossa	5.0L H12 F/I	33-2799	
<b>1990 FERRARI</b>			
348 TB	3.4L V8 F/I	33-2656	
348 TS	3.4L V8 F/I	33-2656	
F40	2.9L V8 F/I	33-2816*	
F40	3.0L V8 F/I	33-2816*	
Testarossa	4.9L H12 F/I	33-2799	

\*Indicates 2 filters required

♦ - Intake kit available

Applications updated daily at [knfilters.com](http://knfilters.com) ®

Partial Listing - Complete List of Vehicles and Applications at [knfilters.com](http://knfilters.com)

# FERRARI

# AIR & OIL FILTERS

Vehicle	Engine Type	Air Filter	Oil Filter
<b>1990 FERRARI</b>			
Testarossa	5.0L H12 F/I	33-2799	
<b>1989 FERRARI</b>			
328 GTS	3.2L V8 F/I		HP-3001
F40	3.0L V8 F/I	33-2816*	
Mondial t	3.4L V8 F/I	33-2662	
Testarossa	4.9L H12 F/I	33-2799	
Testarossa	5.0L H12 F/I	33-2799	
<b>1988 FERRARI</b>			
328 GTS	3.2L V8 F/I		HP-3001
F40	3.0L V8 F/I	33-2816*	
Mondial 3.2	3.2L V8 F/I	33-2662	
Testarossa	4.9L H12 F/I	33-2799	
Testarossa	5.0L H12 F/I	33-2799	
<b>1987 FERRARI</b>			
328 GTS	3.2L V8 F/I		HP-3001
GTO	2.9L V8 F/I		HP-3001
Mondial 3.2	3.2L V8 F/I	33-2662	
Testarossa	4.9L H12 F/I	33-2799	
Testarossa	5.0L H12 F/I	33-2799	
<b>1986 FERRARI</b>			
328 GTB	3.2L V8 F/I		HP-3001
328 GTS	3.2L V8 F/I		HP-3001
GTO	2.9L V8 F/I	33-2019*	HP-3001
Mondial 3.2	3.2L V8 F/I	33-2662	HP-3001
Mondial 8	2.9L V8 F/I		HP-3001
Testarossa	4.9L H12 F/I	33-2799	
Testarossa	5.0L H12 F/I	33-2799	
<b>1985 FERRARI</b>			
308 GTB	3.0L V8 F/I	33-2518	HP-3001
308 GTS	3.0L V8 F/I	33-2518	HP-3001
328 GTB	3.2L V8 F/I		HP-3001
328 GTS	3.2L V8 F/I		HP-3001
GTO	2.9L V8 F/I	33-2019*	HP-3001
Mondial	3.0L V8 F/I	33-2662	HP-3001
Mondial 8	3.0L V8 F/I	33-2662	HP-3001
<b>1984 FERRARI</b>			
308 GTB	3.0L V8 F/I	33-2518	HP-3001
308 GTS	3.0L V8 F/I	33-2518	HP-3001
400i	4.8L V12 F/I		HP-3001
512 BB	4.9L H12 F/I	33-2019*	HP-3001
GTO	2.9L V8 F/I		HP-3001
Mondial	3.0L V8 F/I		HP-3001
Mondial 8	3.0L V8 F/I		HP-3001
<b>1983 FERRARI</b>			
308 GTB	3.0L V8 F/I	33-2019*	HP-3001
308 GTS	3.0L V8 F/I	33-2019*	HP-3001
Mondial	3.0L V8 F/I	33-2019*	HP-3001
Mondial 8	3.0L V8 F/I	33-2019*	HP-3001
<b>1982 FERRARI</b>			
308 GTB	3.0L V8 F/I	33-2019*	HP-3001
308 GTBi	3.0L V8 F/I	33-2019*	HP-3001
308 GTS	3.0L V8 F/I	33-2019*	HP-3001
308 GTSi	3.0L V8 F/I	33-2019*	HP-3001
Mondial 8	3.0L V8 F/I	33-2019*	HP-3001
<b>1981 FERRARI</b>			
308 GTSi	3.0L V8 F/I	33-2019*	HP-3001
Mondial 8	3.0L V8 F/I	33-2019*	HP-3001
<b>1980 FERRARI</b>			
308 GT4	2.9L V8 CARB	E-2930	HP-3001

Vehicle	Engine Type	Air Filter	Oil Filter
<b>1980 FERRARI</b>			
308 GTB	2.9L V8 CARB	E-2930	HP-3001
308 GTB	3.0L V8 CARB	E-2930	HP-3001
308 GTBi	3.0L V8 F/I	33-2019*	HP-3001
308 GTS	2.9L V8 CARB	E-2930	HP-3001
308 GTS	3.0L V8 CARB	E-2930	HP-3001
512 BB	4.9L H12 CARB	33-2019*	HP-3001
Mondial 8	3.0L V8 F/I	33-2019*	HP-3001
<b>1979 FERRARI</b>			
308 GTB	3.0L V8 CARB	E-2930	HP-3001
308 GTS	2.9L V8 CARB	E-2930	HP-3001
308 GTS	3.0L V8 CARB	E-2930	HP-3001
512 BB	4.9L H12 CARB		HP-3001
<b>1978 FERRARI</b>			
308 GT4	2.9L V8 CARB	E-2930	HP-3001
308 GT4	3.0L V8 CARB	E-2930	HP-3001
308 GTB	2.9L V8 CARB	E-2930	HP-3001
308 GTB	3.0L V8 CARB	E-2930	HP-3001
308 GTS	2.9L V8 CARB	E-2930	HP-3001
308 GTS	3.0L V8 CARB	E-2930	HP-3001
512 BB	4.9L H12 CARB		HP-3001
<b>1977 FERRARI</b>			
308 GT4	3.0L V8 CARB	E-2930	HP-3001
308 GTB	2.9L V8 CARB	E-2930	HP-3001
308 GTB	3.0L V8 CARB	E-2930	HP-3001
308 GTS	3.0L V8 CARB	E-2930	HP-3001
512 BB	4.9L H12 CARB		HP-3001
<b>1975 FERRARI</b>			
308 GT4	3.0L V8 CARB	E-2930	HP-3001
<b>1974 FERRARI</b>			
308 GT4	3.0L V8 CARB	E-2930	HP-3001
365 GT4 BB	4.4L H12 CARB		HP-3001
<b>1973 FERRARI</b>			
365 GTB/4	4.4L V12 CARB		HP-3001
Dino 246 GT	2.4L V6 CARB	E-9240	HP-3001
Dino 246 GTS	2.4L V6 CARB	E-9240	HP-3001
<b>1972 FERRARI</b>			
365 GTB/4	4.4L V12 CARB		HP-3001
Dino 246 GT	2.4L V6 CARB	E-9240	HP-3001
Dino 246 GTS	2.4L V6 CARB	E-9240	HP-3001
<b>1971 FERRARI</b>			
365 GTB/4	4.4L V12 CARB		HP-3001
365 GTC/4	4.4L V12 CARB		HP-3001
365 GTS/4	4.4L V12 CARB		HP-3001
<b>1970 FERRARI</b>			
365 GTB/4	4.4L V12 CARB		HP-3001
365 GTC	4.4L V12 CARB		HP-3001
365 GTS	4.4L V12 CARB		HP-3001
365 GTS/4	4.4L V12 CARB		HP-3001
<b>1969 FERRARI</b>			
365 GTS	4.4L V12 CARB		HP-3001
<b>1968 FERRARI</b>			
Dino 206 GT	2.0L V6 CARB		HP-3001
<b>2011 FIAT</b>			
500	1.2L L4 F/I	33-2931 ♦	
500	1.3L L4 DSL	33-2932	
500	1.4L L4 F/I		HP-1010
500	1.4L L4 F/I - exc. Turbo	33-2842 ♦	HP-1010
Bravo	1.4L L4 F/I - exc. Turbo	33-2842 ♦	

\*Indicates 2 filters required

♦ - Intake kit available

Applications updated daily at [knfilters.com](http://knfilters.com) ®

# AIR & OIL FILTERS

# FIAT

Vehicle	Engine Type	Air Filter	Oil Filter	Vehicle	Engine Type	Air Filter	Oil Filter
<b>2011 FIAT</b>				<b>2010 FIAT</b>			
Bravo	1.4L L4 F/I - Turbo	E-2995 ♦		Qubo	1.3L L4 DSL	33-2932	
Bravo	1.6L L4 DSL	E-2995		Qubo	1.4L L4 F/I	33-2299	
Bravo	2.0L L4 DSL	E-2995		Sedici	1.6L L4 F/I - 107BHP	33-2954	
Croma	1.8L L4 F/I	33-2848		Sedici	1.6L L4 F/I - 120BHP	33-2075	
Croma	1.9L L4 DSL	33-2848		Sedici	1.9L L4 DSL	33-2399	
Doblo	1.3L L4 DSL	33-2932		<b>2009 FIAT</b>			
Doblo	1.4L L4 F/I	33-2842		500	1.2L L4 F/I	33-2931 ♦	
Doblo	1.6L L4 DSL	33-2935		500	1.3L L4 DSL	33-2932	
Doblo	2.0L L4 DSL	33-2935		500	1.4L L4 F/I		HP-1010
Idea	1.2L L4 F/I	33-2842		Bravo	1.4L L4 F/I - exc. Turbo	33-2842 ♦	
Idea	1.3L L4 DSL	33-2932		Bravo	1.4L L4 F/I - Turbo	E-2995 ♦	
Idea	1.4L L4 F/I - 16v	33-2842		Bravo	1.6L L4 DSL	E-2995	
Idea	1.4L L4 F/I - 8v	33-2931		Bravo	1.9L L4 DSL	33-2846	
Idea	1.6L L4 DSL	E-2862		Croma	1.8L L4 F/I	33-2848	
Panda	1.2L L4 F/I	33-2870		Croma	1.9L L4 DSL	33-2848	
Panda	1.3L L4 DSL	33-2932		Croma	2.2L L4 F/I	33-2848	
Punto Evo	1.2L L4 F/I	33-2931 ♦		Doblo	1.3L L4 DSL	33-2932	
Punto Evo	1.3L L4 DSL	33-2932		Doblo	1.4L L4 F/I	33-2931	
Punto Evo	1.4L L4 F/I - 16v	33-2842 ♦		Doblo	1.9L L4 DSL	E-2862	
Punto Evo	1.4L L4 F/I - 8v	33-2931 ♦		Fiorino	1.3L L4 DSL	33-2932	
Punto Evo	1.4L L4 F/I - Turbo	33-2935 ♦		Fiorino	1.4L L4 F/I	33-2299	
Punto Evo	1.6L L4 DSL	E-2995		Grande Punto	1.2L L4 F/I	33-2931 ♦	
Qubo	1.3L L4 DSL	33-2932		Grande Punto	1.3L L4 DSL	33-2932	
Qubo	1.4L L4 F/I	33-2299		Grande Punto	1.4L L4 F/I		HP-1010
Sedici	1.6L L4 F/I	33-2075		Grande Punto	1.4L L4 F/I - 8v	33-2931 ♦	HP-1010
<b>2010 FIAT</b>				Grande Punto	1.4L L4 F/I - 95BHP	33-2842 ♦	HP-1010
500	1.2L L4 F/I	33-2931 ♦		Grande Punto	1.4L L4 F/I - Turbo	33-2935 ♦	HP-1010
500	1.3L L4 DSL	33-2932		Grande Punto	1.6L L4 DSL	E-2995	
500	1.4L L4 F/I		HP-1010	Grande Punto	1.9L L4 DSL	33-2935 ♦	
500	1.4L L4 F/I - exc. Turbo	33-2842 ♦	HP-1010	Idea	1.2L L4 F/I	33-2842	
Bravo	1.4L L4 F/I - exc. Turbo	33-2842 ♦		Idea	1.3L L4 DSL	33-2932	
Bravo	1.4L L4 F/I - Turbo	E-2995 ♦		Idea	1.4L L4 F/I - 16v	33-2842	
Bravo	1.6L L4 DSL	E-2995		Idea	1.4L L4 F/I - 8v	33-2931	
Bravo	1.9L L4 DSL	33-2846		Idea	1.6L L4 DSL	E-2862	
Bravo	2.0L L4 DSL	E-2995		Linea	1.3L L4 DSL	33-2932	
Croma	1.8L L4 F/I	33-2848		Linea	1.4L L4 F/I - exc. Turbo	33-2931	
Croma	1.9L L4 DSL	33-2848		Panda	1.1L L4 F/I	33-2870	
Croma	2.2L L4 F/I	33-2848		Panda	1.2L L4 F/I	33-2870 ♦	
Doblo	1.3L L4 DSL	33-2932		Panda	1.3L L4 DSL	33-2932	
Doblo	1.4L L4 F/I	33-2842		Panda	1.4L L4 F/I	33-2842 ♦	HP-1010
Doblo	1.6L L4 DSL	33-2935		Qubo	1.3L L4 DSL	33-2932	
Doblo	2.0L L4 DSL	33-2935		Qubo	1.4L L4 F/I	33-2299	
Grande Punto	1.2L L4 F/I	33-2931 ♦		Sedici	1.6L L4 F/I	33-2954	
Grande Punto	1.4L L4 F/I - 16v	33-2842 ♦		Sedici	1.9L L4 DSL	33-2399	
Grande Punto	1.4L L4 F/I - 8v	33-2931 ♦		Stilo	2.4L L5 F/I		HP-1010
Grande Punto	1.6L L4 DSL	E-2995		Strada	1.3L L4 DSL	33-2932	
Grande Punto	1.9L L4 DSL	33-2935 ♦		<b>2008 FIAT</b>			
Idea	1.2L L4 F/I	33-2842		500	1.2L L4 F/I	33-2931 ♦	
Idea	1.3L L4 DSL	33-2932		500	1.3L L4 DSL	33-2932	
Idea	1.4L L4 F/I - 16v	33-2842		500	1.4L L4 F/I - exc. Turbo	33-2842 ♦	
Idea	1.4L L4 F/I - 8v	33-2931		Bravo	1.4L L4 F/I - exc. Turbo	33-2842 ♦	
Idea	1.6L L4 DSL	E-2862		Bravo	1.4L L4 F/I - Turbo	E-2995 ♦	
Linea	1.3L L4 DSL	33-2932		Bravo	1.6L L4 DSL	E-2995	
Linea	1.4L L4 F/I - exc. Turbo	33-2931		Bravo	1.9L L4 DSL	33-2846	
Panda	1.1L L4 F/I	33-2870		Croma	1.8L L4 F/I	33-2848	
Panda	1.2L L4 F/I	33-2870		Croma	1.9L L4 DSL	33-2848	
Panda	1.3L L4 DSL	33-2932		Croma	2.2L L4 F/I	33-2848	HP-7000
Punto Evo	1.2L L4 F/I	33-2931 ♦		Doblo	1.3L L4 DSL	33-2932	
Punto Evo	1.3L L4 DSL	33-2932		Doblo	1.4L L4 F/I	33-2931	
Punto Evo	1.4L L4 F/I - 16v	33-2842 ♦		Doblo	1.6L L4 F/I	E-2862	
Punto Evo	1.4L L4 F/I - 8v	33-2931 ♦		Doblo	1.9L L4 DSL	E-2862	
Punto Evo	1.4L L4 F/I - Turbo	33-2935 ♦		Ducato	2.2L L4 DSL	E-9283	
Punto Evo	1.6L L4 DSL	E-2995		Ducato	2.3L L4 DSL	E-9283	

\*Indicates 2 filters required      ♦ - Intake kit available      Applications updated daily at [knfilters.com](http://knfilters.com) ®

**Partial Listing - Complete List of Vehicles and Applications at [knfilters.com](http://knfilters.com)**

# FIAT

# AIR & OIL FILTERS

Vehicle	Engine Type	Air Filter	Oil Filter	Vehicle	Engine Type	Air Filter	Oil Filter
<b>2008 FIAT</b>				<b>2007 FIAT</b>			
Ducato	3.0L V6 DSL	E-9283		Idea	1.3L L4 DSL	33-2932	
Fiorino	1.3L L4 DSL	33-2932		Idea	1.4L L4 F/I	33-2842	
Fiorino	1.4L L4 F/I	33-2299		Idea	1.9L L4 DSL	E-2862	
Grande Punto	1.2L L4 F/I	33-2931 ♦		Linea	1.3L L4 DSL	33-2932	
Grande Punto	1.3L L4 DSL	33-2932		Linea	1.4L L4 F/I - exc. Turbo	33-2931	
Grande Punto	1.4L L4 F/I		HP-1010	Multipla	1.6L L4 F/I	33-2224	
Grande Punto	1.4L L4 F/I - 16v	33-2842 ♦	HP-1010	Multipla	1.9L L4 DSL	33-2224	
Grande Punto	1.4L L4 F/I - 8v	33-2931 ♦	HP-1010	Palio	1.1L L4 F/I	33-2793	
Grande Punto	1.4L L4 F/I - Turbo	33-2935 ♦	HP-1010	Palio	1.6L L4 F/I	33-2793	
Grande Punto	1.6L L4 DSL	E-2995		Panda	1.1L L4 F/I	33-2870	
Grande Punto	1.9L L4 DSL	33-2935 ♦		Panda	1.2L L4 F/I	33-2870 ♦	
Idea	1.2L L4 F/I	33-2842		Panda	1.3L L4 DSL	33-2932	
Idea	1.3L L4 DSL	33-2932		Panda	1.4L L4 F/I	33-2842 ♦	
Idea	1.4L L4 F/I	33-2842		Punto	1.4L L4 F/I		HP-1010
Idea	1.6L L4 DSL	E-2862		Scudo	1.6L L4 DSL	33-2929	
Idea	1.9L L4 DSL	E-2862		Scudo	1.6L L4 F/I - to 1/07	33-2539	
Linea	1.3L L4 DSL	33-2932		Scudo	1.9L L4 DSL - to 1/07	33-2539	
Linea	1.4L L4 F/I - exc. Turbo	33-2931		Scudo	2.0L L4 DSL	33-2626	
Multipla	1.6L L4 F/I	33-2224		Scudo	2.0L L4 F/I	33-2626	
Multipla	1.9L L4 DSL	33-2224		Sedici	1.6L L4 F/I	33-2954	
Panda	1.1L L4 F/I	33-2870		Sedici	1.9L L4 DSL	33-2399	
Panda	1.2L L4 F/I	33-2870 ♦		Stilo	1.2L L4 F/I	33-2842	
Panda	1.3L L4 DSL	33-2932		Stilo	1.4L L4 F/I	33-2842	
Panda	1.4L L4 F/I	33-2842 ♦		Stilo	1.6L L4 F/I	33-2841	
Punto	1.4L L4 F/I		HP-1010	Stilo	1.8L L4 F/I	33-2846	
Scudo	1.6L L4 DSL	33-2929		Stilo	1.9L L4 DSL	33-2846	
Scudo	2.0L L4 DSL	33-2626		Stilo	2.4L L5 F/I	33-2846	HP-1010
Scudo	2.0L L4 F/I	33-2626		Strada	1.3L L4 DSL	33-2932	
Sedici	1.6L L4 F/I	33-2954		Ulysse	2.0L L4 DSL	33-2539	
Sedici	1.9L L4 DSL	33-2399		Ulysse	2.0L L4 F/I	33-2539	
Stilo	2.4L L5 F/I		HP-1010	Ulysse	2.2L L4 DSL - from 10/07	33-2626	
Strada	1.3L L4 DSL	33-2932		Ulysse	2.2L L4 DSL - to 9/07	33-2539	
Ulysse	2.0L L4 DSL	33-2539		Ulysse	3.0L V6 F/I	33-2539	
Ulysse	2.0L L4 F/I	33-2539		<b>2006 FIAT</b>			
Ulysse	2.2L L4 DSL	33-2626		Albea	1.3L L4 DSL	33-2932	
<b>2007 FIAT</b>				Croma	1.8L L4 F/I	33-2848	
500	1.2L L4 F/I	33-2931 ♦		Croma	1.9L L4 DSL	33-2848	
500	1.3L L4 DSL	33-2932		Croma	2.2L L4 F/I	33-2848	HP-7000
500	1.4L L4 F/I	33-2842 ♦		Doblo	1.2L L4 F/I	E-2863	
Albea	1.3L L4 DSL	33-2932		Doblo	1.3L L4 DSL	33-2932	
Bravo	1.4L L4 F/I - exc. Turbo	33-2842 ♦		Doblo	1.4L L4 F/I	33-2931	
Bravo	1.4L L4 F/I - Turbo	E-2995 ♦		Doblo	1.6L L4 F/I	E-2862	
Bravo	1.9L L4 DSL	33-2846		Doblo	1.9L L4 DSL	E-2862	
Croma	1.8L L4 F/I	33-2848		Ducato	2.0L L4 DSL	E-9231-1	
Croma	1.9L L4 DSL	33-2848		Ducato	2.0L L4 F/I	E-9231-1	
Croma	2.2L L4 F/I	33-2848	HP-7000	Ducato	2.2L L4 DSL	E-9283	
Doblo	1.3L L4 DSL	33-2932		Ducato	2.3L L4 DSL - 110BHP	E-9231-1	
Doblo	1.4L L4 F/I	33-2931		Ducato	2.3L L4 DSL - 120BHP	E-9283	
Doblo	1.6L L4 F/I	E-2862		Ducato	2.8L L4 DSL	E-9231-1	
Doblo	1.9L L4 DSL	E-2862		Ducato	3.0L V6 DSL	E-9283	
Ducato	2.2L L4 DSL	E-9283		Grande Punto	1.2L L4 F/I	33-2931 ♦	
Ducato	2.3L L4 DSL	E-9283		Grande Punto	1.3L L4 DSL	33-2932	
Ducato	2.8L L4 DSL	E-9231-1		Grande Punto	1.4L L4 F/I - 16v	33-2842 ♦	
Ducato	3.0L V6 DSL	E-9283		Grande Punto	1.4L L4 F/I - 8v	33-2931 ♦	
Fiorino	1.3L L4 DSL	33-2932		Grande Punto	1.9L L4 DSL	33-2935 ♦	
Grande Punto	1.2L L4 F/I	33-2931 ♦		Idea	1.2L L4 F/I	33-2842	
Grande Punto	1.3L L4 DSL	33-2932		Idea	1.3L L4 DSL	33-2932	
Grande Punto	1.4L L4 F/I		HP-1010	Idea	1.4L L4 F/I	33-2842	
Grande Punto	1.4L L4 F/I - 16v	33-2842 ♦	HP-1010	Idea	1.9L L4 DSL	E-2862	
Grande Punto	1.4L L4 F/I - 8v	33-2931 ♦	HP-1010	Multipla	1.6L L4 F/I	33-2224	
Grande Punto	1.4L L4 F/I - Turbo	33-2935 ♦	HP-1010	Multipla	1.9L L4 DSL	33-2224	
Grande Punto	1.9L L4 DSL	33-2935 ♦		Palio	1.2L L4 F/I	33-2793	
Idea	1.2L L4 F/I	33-2842		Palio	1.6L L4 F/I	33-2793	

\*Indicates 2 filters required

♦ - Intake kit available

Applications updated daily at [knfilters.com](http://knfilters.com) ®



# AIR & OIL FILTERS

# FIAT

Vehicle	Engine Type	Air Filter	Oil Filter	Vehicle	Engine Type	Air Filter	Oil Filter
<b>2006 FIAT</b>				<b>2005 FIAT</b>			
Panda	1.1L L4 F/I	33-2870		Panda	1.1L L4 F/I	33-2870	
Panda	1.2L L4 F/I	33-2870 ♦		Panda	1.2L L4 F/I	33-2870 ♦	
Panda	1.3L L4 DSL	33-2932		Panda	1.3L L4 DSL	33-2932	
Panda	1.4L L4 F/I	33-2842 ♦		Punto	1.2L L4 F/I - 16v	33-2197	
Punto	1.2L L4 F/I - 16v, to 1/06	33-2197		Punto	1.2L L4 F/I - 60BHP, 8v, Series II	E-2863	
Punto	1.2L L4 F/I - 60BHP, 8v, Series II, to 1/06	E-2863		Punto	1.3L L4 DSL	33-2932	
Punto	1.8L L4 F/I	E-2862		Punto	1.4L L4 F/I	33-2842 ♦	
Scudo	1.6L L4 F/I	33-2539		Punto	1.8L L4 F/I	E-2862 ♦	
Scudo	1.9L L4 DSL	33-2539		Punto	1.9L L4 DSL	E-2862	
Scudo	2.0L L4 DSL	33-2539		Scudo	1.6L L4 F/I	33-2539	
Scudo	2.0L L4 F/I	33-2539		Scudo	1.9L L4 DSL	33-2539	
Sedici	1.6L L4 F/I	33-2954		Scudo	2.0L L4 DSL	33-2539	
Sedici	1.9L L4 DSL	33-2399		Scudo	2.0L L4 F/I	33-2539	
Stilo	1.2L L4 F/I	33-2842		Seicento	0.9L L4 F/I	33-2682	
Stilo	1.4L L4 F/I	33-2842 ♦		Seicento	1.1L L4 F/I	33-2586 ♦	
Stilo	1.6L L4 F/I	33-2841 ♦		Siena	1.0L L4 F/I	33-2793	
Stilo	1.8L L4 F/I	33-2846 ♦		Siena	1.2L L4 F/I	33-2793	
Stilo	1.9L L4 DSL	33-2846		Siena	1.4L L4 F/I	33-2793	
Stilo	2.4L L5 F/I	33-2846 ♦		Siena	1.5L L4 F/I	33-2793	
Strada	1.2L L4 F/I	33-2793		Siena	1.6L L4 F/I	33-2793	
Strada	1.3L L4 DSL	33-2932		Stilo	1.2L L4 F/I	33-2842	
Strada	1.7L L4 DSL	33-2793		Stilo	1.4L L4 F/I	33-2842 ♦	
Strada	1.9L L4 DSL	33-2793		Stilo	1.6L L4 F/I	33-2841 ♦	
Ulysse	2.0L L4 DSL	33-2539		Stilo	1.8L L4 F/I	33-2846 ♦	
Ulysse	2.0L L4 F/I	33-2539		Stilo	1.9L L4 DSL	33-2846	
Ulysse	2.2L L4 DSL	33-2539		Stilo	2.4L L5 F/I	33-2846 ♦	
Ulysse	3.0L V6 F/I	33-2539		Strada	1.2L L4 F/I	33-2793	
<b>2005 FIAT</b>				<b>2004 FIAT</b>			
Albea	1.2L L4 F/I	33-2793		Albea	1.2L L4 F/I	33-2793	
Albea	1.3L L4 DSL	33-2932		Albea	1.3L L4 DSL	33-2932	
Albea	1.6L L4 F/I	33-2793		Albea	1.6L L4 F/I	33-2793	
Barchetta	1.8L L4 F/I	E-9228		Barchetta	1.8L L4 F/I	E-9228	
Croma	1.8L L4 F/I	33-2848		Doblo	1.2L L4 F/I	E-2863	
Croma	1.9L L4 DSL	33-2848		Doblo	1.3L L4 DSL	33-2932	
Croma	2.2L L4 F/I	33-2848	HP-7000	Doblo	1.4L L4 F/I	33-2931	
Doblo	1.2L L4 F/I	E-2863		Doblo	1.6L L4 F/I	E-2862	
Doblo	1.3L L4 DSL	33-2932		Doblo	1.9L L4 DSL	E-2862	
Doblo	1.4L L4 F/I	33-2931		Doblo	1.9L L4 DSL	E-2862	
Doblo	1.6L L4 F/I	E-2862		Ducato	2.0L L4 DSL	E-9231-1	
Doblo	1.9L L4 DSL	E-2862		Ducato	2.0L L4 F/I	E-9231-1	
Ducato	2.0L L4 DSL	E-9231-1		Ducato	2.3L L4 DSL	E-9231-1	
Ducato	2.0L L4 F/I	E-9231-1		Ducato	2.8L L4 DSL	E-9231-1	
Ducato	2.3L L4 DSL	E-9231-1		Idea	1.2L L4 F/I	33-2842	
Ducato	2.8L L4 DSL	E-9231-1		Idea	1.3L L4 DSL	33-2932	
Grande Punto	1.2L L4 F/I	33-2931 ♦		Idea	1.4L L4 F/I	33-2842	
Grande Punto	1.3L L4 DSL	33-2932		Idea	1.9L L4 DSL	E-2862	
Grande Punto	1.4L L4 F/I - 16v	33-2842 ♦		Multipia	1.6L L4 F/I	33-2224	
Grande Punto	1.4L L4 F/I - 8v	33-2931 ♦		Multipia	1.9L L4 DSL	33-2224	
Grande Punto	1.9L L4 DSL	33-2935		Palio	1.0L L4 F/I	33-2793	
Idea	1.2L L4 F/I	33-2842		Palio	1.2L L4 F/I	33-2793	
Idea	1.3L L4 DSL	33-2932		Palio	1.4L L4 F/I	33-2793	
Idea	1.4L L4 F/I	33-2842		Palio	1.5L L4 F/I	33-2793	
Idea	1.9L L4 DSL	E-2862		Palio	1.6L L4 F/I	33-2793	
Multipia	1.6L L4 F/I	33-2224		Palio	1.7L L4 DSL	33-2793	
Multipia	1.9L L4 DSL	33-2224		Palio	1.9L L4 DSL	33-2793	
Palio	1.0L L4 F/I	33-2793		Panda	1.1L L4 F/I	33-2870	
Palio	1.2L L4 F/I	33-2793		Panda	1.2L L4 F/I	33-2870 ♦	
Palio	1.4L L4 F/I	33-2793		Panda	1.3L L4 DSL	33-2932	
Palio	1.5L L4 F/I	33-2793					
Palio	1.6L L4 F/I	33-2793					
Palio	1.7L L4 DSL	33-2793					
Palio	1.9L L4 DSL	33-2793					

\*Indicates 2 filters required

♦ - Intake kit available

Applications updated daily at [knfilters.com](http://knfilters.com) ®

Partial Listing - Complete List of Vehicles and Applications at [knfilters.com](http://knfilters.com)

# FIAT

# AIR & OIL FILTERS

Vehicle	Engine Type	Air Filter	Oil Filter	Vehicle	Engine Type	Air Filter	Oil Filter
<b>2004 FIAT</b>				<b>2003 FIAT</b>			
Punto	1.2L L4 F/I - 16v	33-2197 ♦		Scudo	1.6L L4 F/I	33-2539	
Punto	1.2L L4 F/I - 60BHP, 8v, Series II	E-2863 ♦		Scudo	1.9L L4 DSL	33-2539	
Punto	1.3L L4 DSL	33-2932		Scudo	2.0L L4 DSL	33-2539	
Punto	1.4L L4 F/I	33-2842 ♦		Scudo	2.0L L4 F/I	33-2539	
Punto	1.8L L4 F/I	E-2862 ♦		Seicento	0.9L L4 F/I	33-2682	
Punto	1.9L L4 DSL	E-2862		Seicento	1.1L L4 F/I	33-2586 ♦	
Scudo	1.6L L4 F/I	33-2539		Siena	1.0L L4 F/I	33-2793	
Scudo	1.9L L4 DSL	33-2539		Siena	1.1L L4 F/I - 60BHP	33-2793	
Scudo	2.0L L4 DSL	33-2539		Siena	1.2L L4 F/I	33-2793	
Scudo	2.0L L4 F/I	33-2539		Siena	1.4L L4 F/I	33-2793	
Seicento	0.9L L4 F/I	33-2682		Siena	1.6L L4 F/I	33-2793	
Seicento	1.1L L4 F/I	33-2586 ♦		Stilo	1.2L L4 F/I	33-2842 ♦	
Siena	1.0L L4 F/I	33-2793		Stilo	1.6L L4 F/I	33-2841 ♦	
Siena	1.1L L4 F/I - 60BHP	33-2793		Stilo	1.8L L4 F/I	33-2846 ♦	
Siena	1.2L L4 F/I	33-2793		Stilo	1.9L L4 DSL	33-2846	
Siena	1.4L L4 F/I	33-2793		Stilo	2.4L L5 F/I	33-2846 ♦	
Siena	1.5L L4 F/I	33-2793		Strada	1.2L L4 F/I	33-2793	
Siena	1.6L L4 F/I	33-2793		Strada	1.7L L4 DSL	33-2793	
Stilo	1.2L L4 F/I	33-2842 ♦		Strada	1.9L L4 DSL	33-2793	
Stilo	1.4L L4 F/I	33-2842 ♦		Ulysse	2.0L L4 DSL	33-2539	
Stilo	1.6L L4 F/I	33-2841 ♦		Ulysse	2.0L L4 F/I	33-2539	
Stilo	1.8L L4 F/I	33-2846 ♦		Ulysse	2.2L L4 DSL	33-2539	
Stilo	1.9L L4 DSL	33-2846		Ulysse	3.0L V6 F/I	33-2539	
Stilo	2.4L L5 F/I	33-2846 ♦		<b>2002 FIAT</b>			
Strada	1.2L L4 F/I	33-2793		Albea	1.2L L4 F/I	33-2793	
Strada	1.7L L4 DSL	33-2793		Albea	1.6L L4 F/I	33-2793	
Strada	1.9L L4 DSL	33-2793		Barchetta	1.8L L4 F/I	E-9228	
Ulysse	2.0L L4 DSL	33-2539		Doblo	1.2L L4 F/I	E-2863	
Ulysse	2.0L L4 F/I	33-2539		Doblo	1.6L L4 F/I	E-2862	
Ulysse	2.2L L4 DSL	33-2539		Doblo	1.9L L4 DSL	E-2862	
Ulysse	3.0L V6 F/I	33-2539		Ducato	1.9L L4 DSL - Non-Turbo	E-9033	
<b>2003 FIAT</b>				Ducato	1.9L L4 DSL - Turbo	E-9231-1	
Albea	1.2L L4 F/I	33-2793		Ducato	2.0L L4 DSL	E-9231-1	
Albea	1.6L L4 F/I	33-2793		Ducato	2.0L L4 F/I	E-9231-1	
Barchetta	1.8L L4 F/I	E-9228		Ducato	2.3L L4 DSL	E-9231-1	
Doblo	1.2L L4 F/I	E-2863		Ducato	2.5L L4 DSL - Non-Turbo	E-9033	
Doblo	1.6L L4 F/I	E-2862		Ducato	2.5L L4 DSL - Turbo	E-9231-1	
Doblo	1.9L L4 DSL	E-2862		Ducato	2.8L L4 DSL	E-9231-1	
Ducato	2.0L L4 DSL	E-9231-1		Marea	1.2L L4 F/I	33-2748-1	
Ducato	2.0L L4 F/I	E-9231-1		Marea	1.4L L4 F/I	33-2748-1	
Ducato	2.3L L4 DSL	E-9231-1		Marea	1.6L L4 F/I	33-2748-1 ♦	
Ducato	2.8L L4 DSL	E-9231-1		Marea	1.8L L4 F/I	33-2748-1 ♦	
Multipla	1.6L L4 F/I	33-2224		Marea	1.9L L4 DSL	33-2748-1	
Multipla	1.9L L4 DSL	33-2224		Marea	2.0L L5 F/I	33-2748-1 ♦	
Palio	1.0L L4 F/I	33-2793		Marea	2.4L L5 DSL	33-2748-1	
Palio	1.1L L4 F/I - 60BHP	33-2793		Multipla	1.6L L4 F/I	33-2224	
Palio	1.2L L4 F/I	33-2793		Multipla	1.9L L4 DSL	33-2224	
Palio	1.4L L4 F/I	33-2793		Palio	1.0L L4 F/I	33-2793	
Palio	1.5L L4 F/I	33-2793		Palio	1.1L L4 F/I - 60BHP	33-2793	
Palio	1.6L L4 F/I	33-2793		Palio	1.2L L4 F/I	33-2793	
Palio	1.7L L4 DSL	33-2793		Palio	1.4L L4 F/I	33-2793	
Palio	1.9L L4 DSL	33-2793		Palio	1.5L L4 F/I	33-2793	
Panda	1.1L L4 F/I	33-2870		Palio	1.6L L4 F/I	33-2793	
Panda	1.2L L4 F/I	33-2870 ♦		Palio	1.7L L4 DSL	33-2793	
Panda	1.3L L4 DSL	33-2932		Palio	1.9L L4 DSL	33-2793	
Punto	1.2L L4 F/I - 16v	33-2197 ♦		Panda	1.1L L4 F/I	33-2544	
Punto	1.2L L4 F/I - 60BHP, 8v, Series II	E-2863 ♦		Punto	1.2L L4 F/I - 16v	33-2197 ♦	
Punto	1.2L L4 F/I - OEM 46481588, 16v	33-2171 ♦		Punto	1.2L L4 F/I - 60BHP, 8v, Series II	E-2863 ♦	
Punto	1.3L L4 DSL	33-2932		Punto	1.2L L4 F/I - OEM 46481588, 16v	33-2171 ♦	
Punto	1.4L L4 F/I	33-2842 ♦		Punto	1.8L L4 F/I	E-2862 ♦	
Punto	1.8L L4 F/I	E-2862 ♦		Punto	1.9L L4 DSL	E-2862	
Punto	1.9L L4 DSL	E-2862					

\*Indicates 2 filters required

♦ - Intake kit available

Applications updated daily at [knfilters.com](http://knfilters.com) ®

# AIR & OIL FILTERS

# FIAT

Vehicle	Engine Type	Air Filter	Oil Filter	Vehicle	Engine Type	Air Filter	Oil Filter
<b>2002 FIAT</b>				<b>2001 FIAT</b>			
Scudo	1.6L L4 F/I	33-2539		Palio	1.5L L4 F/I	33-2793	
Scudo	1.9L L4 DSL	33-2539		Palio	1.6L L4 F/I	33-2793	
Scudo	2.0L L4 DSL	33-2539		Palio	1.7L L4 DSL	33-2793	
Scudo	2.0L L4 F/I	33-2539		Palio	1.9L L4 DSL	33-2793	
Seicento	0.9L L4 F/I	33-2682		Panda	1.1L L4 F/I	33-2544	
Seicento	1.1L L4 F/I	33-2586 ♦		Punto	1.2L L4 F/I - 16v	33-2197 ♦	
Siena	1.0L L4 F/I	33-2793		Punto	1.2L L4 F/I - 60BHP, 8v, Series II	E-2863 ♦	
Siena	1.1L L4 F/I - 60BHP	33-2793		Punto	1.2L L4 F/I - OEM 46481588, 16v	33-2171 ♦	
Siena	1.2L L4 F/I	33-2793		Punto	1.8L L4 F/I	E-2862 ♦	
Siena	1.4L L4 F/I	33-2793		Punto	1.9L L4 DSL	E-2862	
Siena	1.6L L4 F/I	33-2793		Scudo	1.6L L4 F/I	33-2539	
Stilo	1.2L L4 F/I	33-2842 ♦		Scudo	1.9L L4 DSL	33-2539	
Stilo	1.6L L4 F/I	33-2841 ♦		Scudo	2.0L L4 DSL	33-2539	
Stilo	1.8L L4 F/I	33-2846 ♦		Scudo	2.0L L4 F/I	33-2539	
Stilo	1.9L L4 DSL	33-2846		Seicento	0.9L L4 F/I	33-2682	
Stilo	2.4L L5 F/I	33-2846 ♦		Seicento	1.1L L4 F/I	33-2586 ♦	
Strada	1.2L L4 F/I	33-2793		Siena	1.0L L4 F/I	33-2793	
Strada	1.7L L4 DSL	33-2793		Siena	1.1L L4 F/I - 60BHP	33-2793	
Strada	1.9L L4 DSL	33-2793		Siena	1.2L L4 F/I	33-2793	
Ulysse	1.8L L4 F/I	33-2539		Siena	1.4L L4 F/I	33-2793	
Ulysse	1.9L L4 DSL	33-2539		Siena	1.6L L4 F/I	33-2793	
Ulysse	2.0L L4 DSL	33-2539		Stilo	1.2L L4 F/I	33-2842 ♦	
Ulysse	2.0L L4 F/I	33-2539		Stilo	1.6L L4 F/I	33-2841 ♦	
Ulysse	2.2L L4 DSL	33-2539		Stilo	1.8L L4 F/I	33-2846 ♦	
Ulysse	3.0L V6 F/I	33-2539		Stilo	1.9L L4 DSL	33-2846	
<b>2001 FIAT</b>				<b>2000 FIAT</b>			
Barchetta	1.8L L4 F/I	E-9228		Barchetta	1.8L L4 F/I	E-9228	
Brava	1.2L L4 F/I	33-2748-1 ♦		Brava	1.2L L4 F/I	33-2748-1 ♦	
Brava	1.4L L4 F/I	33-2748-1		Brava	1.4L L4 F/I	33-2748-1	
Brava	1.6L L4 F/I	33-2748-1 ♦		Brava	1.6L L4 F/I	33-2748-1 ♦	
Brava	1.8L L4 F/I	33-2748-1 ♦		Brava	1.8L L4 F/I	33-2748-1 ♦	
Brava	1.9L L4 DSL	33-2748-1		Brava	1.9L L4 DSL	33-2748-1	
Brava	2.0L L5 F/I	33-2748-1 ♦		Brava	1.9L L4 DSL	33-2748-1	
Bravo	1.2L L4 F/I	33-2748-1 ♦		Brava	2.0L L5 F/I	33-2748-1 ♦	
Bravo	1.4L L4 F/I	33-2748-1		Bravo	1.2L L4 F/I	33-2748-1 ♦	
Bravo	1.6L L4 F/I	33-2748-1 ♦		Bravo	1.4L L4 F/I	33-2748-1	
Bravo	1.8L L4 F/I	33-2748-1 ♦		Bravo	1.6L L4 F/I	33-2748-1 ♦	
Bravo	1.9L L4 DSL	33-2748-1		Bravo	1.8L L4 F/I	33-2748-1 ♦	
Bravo	2.0L L5 F/I	33-2748-1 ♦		Bravo	1.9L L4 DSL	33-2748-1	
Doblo	1.2L L4 F/I	E-2863		Bravo	2.0L L5 F/I	33-2748-1 ♦	
Doblo	1.6L L4 F/I	E-2862		Bravo	1.2L L4 F/I	33-2748-1 ♦	
Doblo	1.9L L4 DSL	E-2862		Bravo	1.4L L4 F/I	33-2748-1	
Ducato	1.9L L4 DSL - Non-Turbo	E-9033		Bravo	1.6L L4 F/I	33-2748-1 ♦	
Ducato	1.9L L4 DSL - Turbo	E-9231-1		Bravo	1.8L L4 F/I	33-2748-1 ♦	
Ducato	2.0L L4 DSL	E-9231-1		Bravo	1.9L L4 DSL	33-2748-1	
Ducato	2.0L L4 F/I	E-9231-1		Bravo	2.0L L5 F/I	33-2748-1 ♦	
Ducato	2.5L L4 DSL - Non-Turbo	E-9033		Coupe	1.8L L4 F/I	33-2689	
Ducato	2.5L L4 DSL - Turbo	E-9231-1		Coupe	2.0L L5 F/I	33-2689 ♦	
Ducato	2.8L L4 DSL	E-9231-1		Doblo	1.2L L4 F/I	E-2863	
Marea	1.2L L4 F/I	33-2748-1 ♦		Ducato	1.9L L4 DSL - Non-Turbo	E-9033	
Marea	1.4L L4 F/I	33-2748-1		Ducato	1.9L L4 DSL - Turbo	E-9231-1	
Marea	1.6L L4 F/I	33-2748-1 ♦		Ducato	2.0L L4 F/I	E-9231-1	
Marea	1.8L L4 F/I	33-2748-1 ♦		Ducato	2.5L L4 DSL - Non-Turbo	E-9033	
Marea	1.9L L4 DSL	33-2748-1		Ducato	2.5L L4 DSL - Turbo	E-9231-1	
Marea	2.0L L5 F/I	33-2748-1 ♦		Ducato	2.8L L4 DSL	E-9231-1	
Marea	2.4L L5 DSL	33-2748-1		Marea	1.2L L4 F/I	33-2748-1 ♦	
Multipla	1.6L L4 F/I	33-2224		Marea	1.4L L4 F/I	33-2748-1	
Multipla	1.9L L4 DSL	33-2224		Marea	1.6L L4 F/I	33-2748-1 ♦	
Palio	1.0L L4 F/I	33-2793		Marea	1.8L L4 F/I	33-2748-1 ♦	
Palio	1.1L L4 F/I - 60BHP	33-2793		Marea	1.9L L4 DSL	33-2748-1	
Palio	1.2L L4 F/I	33-2793					
Palio	1.4L L4 F/I	33-2793					

\*Indicates 2 filters required      ♦ - Intake kit available      Applications updated daily at [knfilters.com](http://knfilters.com) ®

**Partial Listing - Complete List of Vehicles and Applications at [knfilters.com](http://knfilters.com)**

# FIAT

# AIR & OIL FILTERS

Vehicle	Engine Type	Air Filter	Oil Filter	Vehicle	Engine Type	Air Filter	Oil Filter
<b>2000 FIAT</b>				<b>1999 FIAT</b>			
Marea	2.0L L5 F/I	33-2748-1 ♦		Ducato	2.8L L4 DSL	E-9231-1	
Marea	2.4L L5 DSL	33-2748-1		Marea	1.2L L4 F/I	33-2748-1 ♦	
Multipla	1.6L L4 F/I	33-2224		Marea	1.4L L4 F/I	33-2748-1	
Multipla	1.9L L4 DSL	33-2224		Marea	1.6L L4 F/I	33-2748-1 ♦	
Palio	1.0L L4 F/I	33-2793		Marea	1.8L L4 F/I	33-2748-1 ♦	
Palio	1.1L L4 F/I - 60BHP	33-2793		Marea	1.9L L4 DSL	33-2748-1	
Palio	1.2L L4 F/I	33-2793		Marea	2.0L L5 F/I	33-2748-1 ♦	
Palio	1.4L L4 F/I	33-2793		Marea	2.4L L5 DSL	33-2748-1	
Palio	1.5L L4 F/I	33-2793		Multipla	1.6L L4 F/I	33-2224	
Palio	1.6L L4 F/I	33-2793		Multipla	1.9L L4 DSL	33-2224	
Palio	1.7L L4 DSL	33-2793		Palio	1.0L L4 F/I	33-2793	
Palio	1.9L L4 DSL	33-2793		Palio	1.1L L4 F/I - 60BHP	33-2793	
Panda	1.1L L4 F/I	33-2544		Palio	1.2L L4 F/I	33-2793	
Punto	1.1L L4 F/I	33-2586		Palio	1.4L L4 F/I	33-2793	
Punto	1.2L L4 F/I - 16v	33-2197 ♦		Palio	1.5L L4 F/I	33-2793	
Punto	1.2L L4 F/I - 58/60BHP	33-2586 ♦		Palio	1.6L L4 F/I	33-2793	
Punto	1.2L L4 F/I - 60BHP, 8v, Series II	E-2863 ♦		Palio	1.7L L4 DSL	33-2793	
Punto	1.2L L4 F/I - OEM 46481588, 16v	33-2171 ♦		Panda	1.1L L4 F/I	33-2544	
Punto	1.7L L4 DSL	33-2632		Punto	1.1L L4 F/I	33-2586 ♦	
Punto	1.8L L4 F/I	E-2862 ♦		Punto	1.2L L4 F/I - 16v, from 10/99	33-2197 ♦	
Punto	1.9L L4 DSL	E-2862		Punto	1.2L L4 F/I - 58/60BHP	33-2586 ♦	
Scudo	1.6L L4 F/I	33-2539		Punto	1.2L L4 F/I - 60BHP, 8v, Series II	E-2863 ♦	
Scudo	1.9L L4 DSL	33-2539		Punto	1.2L L4 F/I - 73/75BHP, 8v	33-2729 ♦	
Scudo	2.0L L4 DSL	33-2539		Punto	1.2L L4 F/I - OEM 46481588, 16v, from 10/99	33-2171 ♦	
Scudo	2.0L L4 F/I	33-2539		Punto	1.2L L4 F/I - to 11/99, 16v	33-2730 ♦	
Seicento	0.9L L4 F/I	33-2682		Punto	1.4L L4 F/I	33-2730 ♦	
Seicento	1.1L L4 F/I	33-2586 ♦		Punto	1.7L L4 DSL	33-2632	
Siena	1.0L L4 F/I	33-2793		Punto	1.8L L4 F/I	E-2862 ♦	
Siena	1.1L L4 F/I - 60BHP	33-2793		Punto	1.9L L4 DSL	E-2862	
Siena	1.2L L4 F/I	33-2793		Scudo	1.6L L4 F/I	33-2539	
Siena	1.4L L4 F/I	33-2793		Scudo	1.9L L4 DSL	33-2539	
Siena	1.6L L4 F/I	33-2793		Scudo	2.0L L4 DSL	33-2539	
Strada	1.2L L4 F/I	33-2793		Seicento	0.9L L4 F/I	33-2682	
Strada	1.7L L4 DSL	33-2793		Seicento	1.1L L4 F/I	33-2586 ♦	
Strada	1.9L L4 DSL	33-2793		Siena	1.0L L4 F/I	33-2793	
Ulysse	1.8L L4 F/I	33-2539		Siena	1.1L L4 F/I - 60BHP	33-2793	
Ulysse	1.9L L4 DSL	33-2539		Siena	1.2L L4 F/I	33-2793	
Ulysse	2.0L L4 DSL	33-2539		Siena	1.4L L4 F/I	33-2793	
Ulysse	2.0L L4 F/I	33-2539		Siena	1.6L L4 F/I	33-2793	
<b>1999 FIAT</b>				Siena	1.2L L4 F/I	33-2793	
Barchetta	1.8L L4 F/I	E-9228		Siena	1.4L L4 F/I	33-2793	
Brava	1.2L L4 F/I	33-2748-1 ♦		Siena	1.6L L4 F/I	33-2793	
Brava	1.4L L4 F/I	33-2748-1		Strada	1.2L L4 F/I	33-2793	
Brava	1.6L L4 F/I	33-2748-1 ♦		Strada	1.7L L4 DSL	33-2793	
Brava	1.8L L4 F/I	33-2748-1 ♦		Ulysse	1.8L L4 F/I	33-2539	
Brava	1.9L L4 DSL	33-2748-1		Ulysse	1.9L L4 DSL	33-2539	
Brava	2.0L L5 F/I	33-2748-1 ♦		Ulysse	2.0L L4 DSL	33-2539	
Bravo	1.2L L4 F/I	33-2748-1 ♦		Ulysse	2.0L L4 F/I	33-2539	
Bravo	1.4L L4 F/I	33-2748-1		Ulysse	2.1L L4 DSL	33-2539	
Bravo	1.6L L4 F/I	33-2748-1 ♦		<b>1998 FIAT</b>			
Bravo	1.8L L4 F/I	33-2748-1 ♦		Barchetta	1.8L L4 F/I	E-9228	
Bravo	1.9L L4 DSL	33-2748-1		Brava	1.2L L4 F/I	33-2748-1 ♦	
Bravo	2.0L L5 F/I	33-2748-1 ♦		Brava	1.4L L4 F/I	33-2748-1	
Cinquecento	0.9L L4 F/I	33-2682 ♦		Brava	1.6L L4 F/I	33-2748-1 ♦	
Coupe	1.8L L4 F/I	33-2689		Brava	1.8L L4 F/I	33-2748-1 ♦	
Coupe	2.0L L5 F/I	33-2689 ♦		Brava	1.9L L4 DSL	33-2748-1	
Ducato	1.9L L4 DSL - Non-Turbo	E-9033		Brava	2.0L L5 F/I	33-2748-1 ♦	
Ducato	1.9L L4 DSL - Turbo	E-9231-1		Bravo	1.2L L4 F/I	33-2748-1 ♦	
Ducato	2.0L L4 F/I	E-9231-1		Bravo	1.4L L4 F/I	33-2748-1	
Ducato	2.5L L4 DSL - Non-Turbo	E-9033		Bravo	1.6L L4 F/I	33-2748-1 ♦	
Ducato	2.5L L4 DSL - Turbo	E-9231-1		Bravo	1.8L L4 F/I	33-2748-1 ♦	
				Bravo	1.9L L4 DSL	33-2748-1	
				Bravo	2.0L L5 F/I	33-2748-1 ♦	

\*Indicates 2 filters required    ♦ - Intake kit available    Applications updated daily at [knfilters.com](http://knfilters.com) ®

# AIR & OIL FILTERS

# FIAT

Vehicle	Engine Type	Air Filter	Oil Filter	Vehicle	Engine Type	Air Filter	Oil Filter
<b>1998 FIAT</b>				<b>1997 FIAT</b>			
Cinquecento	0.7L L2 F/I	33-2682		Ducato	1.9L L4 DSL - Non-Turbo	E-9033	
Cinquecento	0.9L L4 F/I	33-2682 ♦		Ducato	1.9L L4 DSL - Turbo	E-9231-1	
Cinquecento	1.1L L4 F/I	33-2586 ♦		Ducato	2.0L L4 F/I	E-9231-1	
Coupe	1.8L L4 F/I	33-2689		Ducato	2.5L L4 DSL - Non-Turbo	E-9033	
Coupe	2.0L L5 F/I	33-2689 ♦		Ducato	2.5L L4 DSL - Turbo	E-9231-1	
Ducato	1.9L L4 DSL - Non-Turbo	E-9033		Ducato	2.8L L4 DSL	E-9231-1	
Ducato	1.9L L4 DSL - Turbo	E-9231-1		Marea	1.4L L4 F/I	33-2748-1	
Ducato	2.0L L4 F/I	E-9231-1		Marea	1.6L L4 F/I	33-2748-1 ♦	
Ducato	2.5L L4 DSL - Non-Turbo	E-9033		Marea	1.8L L4 F/I	33-2748-1 ♦	
Ducato	2.5L L4 DSL - Turbo	E-9231-1		Marea	1.9L L4 DSL	33-2748-1	
Ducato	2.8L L4 DSL	E-9231-1		Marea	2.0L L5 F/I	33-2748-1 ♦	
Marea	1.2L L4 F/I	33-2748-1 ♦		Marea	2.4L L5 DSL	33-2748-1	
Marea	1.4L L4 F/I	33-2748-1		Palio	1.0L L4 F/I	33-2793	
Marea	1.6L L4 F/I	33-2748-1 ♦		Palio	1.2L L4 F/I	33-2793	
Marea	1.8L L4 F/I	33-2748-1 ♦		Palio	1.4L L4 F/I	33-2793	
Marea	1.9L L4 DSL	33-2748-1		Palio	1.5L L4 F/I	33-2793	
Marea	2.0L L5 F/I	33-2748-1 ♦		Palio	1.6L L4 F/I	33-2793	
Marea	2.4L L5 DSL	33-2748-1		Palio	1.7L L4 DSL	33-2793	
Palio	1.0L L4 F/I	33-2793		Panda	0.7L L4 F/I	33-2544	
Palio	1.1L L4 F/I - 60BHP	33-2793		Panda	1.0L L4 F/I	33-2544	
Palio	1.2L L4 F/I	33-2793		Panda	1.1L L4 F/I	33-2544	
Palio	1.4L L4 F/I	33-2793		Punto	1.1L L4 F/I	33-2586 ♦	
Palio	1.5L L4 F/I	33-2793		Punto	1.2L L4 F/I - 60	33-2586 ♦	
Palio	1.6L L4 F/I	33-2793		Punto	1.2L L4 F/I - 75	33-2729 ♦	
Palio	1.7L L4 DSL	33-2793		Punto	1.2L L4 F/I - 85	33-2730 ♦	
Panda	1.1L L4 F/I	33-2544		Punto	1.4L L4 F/I	33-2730 ♦	
Punto	1.1L L4 F/I	33-2586 ♦		Punto	1.6L L4 F/I	33-2730	
Punto	1.2L L4 F/I - 60	33-2586 ♦		Punto	1.7L L4 DSL	33-2632	
Punto	1.2L L4 F/I - 75	33-2729 ♦		Scudo	1.6L L4 F/I	33-2539	
Punto	1.2L L4 F/I - 85	33-2730 ♦		Siena	1.1L L4 F/I - 60BHP	33-2793	
Punto	1.4L L4 F/I	33-2730 ♦		Siena	1.4L L4 F/I	33-2793	
Punto	1.7L L4 DSL	33-2632		Ulysse	1.8L L4 F/I	33-2539	
Scudo	1.6L L4 F/I	33-2539		Ulysse	1.9L L4 DSL	33-2539	
Scudo	1.9L L4 DSL	33-2539		Ulysse	2.0L L4 F/I	33-2539	
Seicento	0.9L L4 F/I	33-2682		Ulysse	2.1L L4 DSL	33-2539	
Seicento	1.1L L4 F/I	33-2586 ♦		<b>1996 FIAT</b>			
Siena	1.0L L4 F/I	33-2793		Barchetta	1.8L L4 F/I	E-9228	
Siena	1.1L L4 F/I - 60BHP	33-2793		Brava	1.4L L4 F/I	33-2748-1	
Siena	1.2L L4 F/I	33-2793		Brava	1.6L L4 F/I	33-2748-1 ♦	
Siena	1.4L L4 F/I	33-2793		Brava	1.8L L4 F/I	33-2748-1 ♦	
Siena	1.6L L4 F/I	33-2793		Brava	1.9L L4 DSL	33-2748-1	
Ulysse	1.8L L4 F/I	33-2539		Bravo	1.4L L4 F/I	33-2748-1	
Ulysse	1.9L L4 DSL	33-2539		Bravo	1.6L L4 F/I	33-2748-1 ♦	
Ulysse	2.0L L4 F/I	33-2539		Bravo	1.8L L4 F/I	33-2748-1 ♦	
Ulysse	2.1L L4 DSL	33-2539		Bravo	1.9L L4 DSL	33-2748-1	
<b>1997 FIAT</b>				Bravo	2.0L L5 F/I	33-2748-1 ♦	
Barchetta	1.8L L4 F/I	E-9228		Cinquecento	0.7L L2 F/I	33-2682	
Brava	1.4L L4 F/I	33-2748-1		Cinquecento	0.9L L4 F/I	33-2682 ♦	
Brava	1.6L L4 F/I	33-2748-1 ♦		Cinquecento	1.1L L4 F/I	33-2586 ♦	
Brava	1.8L L4 F/I	33-2748-1 ♦		Coupe	1.8L L4 F/I	33-2689	
Brava	1.9L L4 DSL	33-2748-1		Coupe	2.0L L4 F/I	33-2689 ♦	
Brava	2.0L L5 F/I	33-2748-1 ♦		Coupe	2.0L L5 F/I	33-2689 ♦	
Bravo	1.4L L4 F/I	33-2748-1		Croma	2.0L L4 F/I - 16v Bosch Injection	33-2593	
Bravo	1.6L L4 F/I	33-2748-1 ♦		Croma	2.0L L4 F/I - exc. Bosch Injection	E-9134	
Bravo	1.8L L4 F/I	33-2748-1 ♦		Croma	2.5L L4 DSL	33-2593	
Bravo	1.9L L4 DSL	33-2748-1		Ducato	1.9L L4 DSL - Non-Turbo	E-9033	
Bravo	2.0L L5 F/I	33-2748-1 ♦		Ducato	1.9L L4 DSL - Turbo	E-9231-1	
Cinquecento	0.7L L2 F/I	33-2682		Ducato	2.5L L4 DSL - Non-Turbo	E-9033	
Cinquecento	0.9L L4 F/I	33-2682 ♦		Ducato	2.5L L4 DSL - Turbo	E-9231-1	
Cinquecento	1.1L L4 F/I	33-2586 ♦		Marea	1.6L L4 F/I	33-2748-1 ♦	
Coupe	1.8L L4 F/I	33-2689		Marea	1.8L L4 F/I	33-2748-1 ♦	
Coupe	2.0L L4 F/I	33-2689 ♦		Marea	1.9L L4 DSL	33-2748-1	
Coupe	2.0L L5 F/I	33-2689 ♦		Marea	2.0L L5 F/I	33-2748-1 ♦	

\*Indicates 2 filters required      ♦ - Intake kit available      Applications updated daily at [knfilters.com](http://knfilters.com) ®

**Partial Listing - Complete List of Vehicles and Applications at [knfilters.com](http://knfilters.com)**

# FIAT

# AIR & OIL FILTERS

Vehicle	Engine Type	Air Filter	Oil Filter	Vehicle	Engine Type	Air Filter	Oil Filter
<b>1996 FIAT</b>				<b>1994 FIAT</b>			
Marea	2.4L L5 DSL	33-2748-1		Panda	1.1L L4 F/I	33-2544	
Palio	1.0L L4 F/I	33-2793		Punto	1.1L L4 F/I	33-2586 ♦	
Palio	1.2L L4 F/I	33-2793		Punto	1.2L L4 F/I - 60	33-2586 ♦	
Palio	1.6L L4 F/I	33-2793		Punto	1.2L L4 F/I - 75	33-2729 ♦	
Panda	0.7L L4 F/I	33-2544		Punto	1.4L L4 F/I	33-2730 ♦	
Panda	1.0L L4 F/I	33-2544		Punto	1.6L L4 F/I	33-2730	
Panda	1.1L L4 F/I	33-2544		Punto	1.7L L4 DSL	33-2632	
Punto	1.1L L4 F/I	33-2586 ♦		Tempra	1.4L L4 F/I	33-2586	
Punto	1.2L L4 F/I - 60	33-2586 ♦		Tempra	1.6L L4 F/I - 75/78BHP	33-2727	
Punto	1.2L L4 F/I - 75	33-2729 ♦		Uno	1.4L L4 F/I - Turbo	33-2525	
Punto	1.4L L4 F/I	33-2730 ♦		<b>1993 FIAT</b>			
Punto	1.6L L4 F/I	33-2730		Cinquecento	0.7L L2 F/I	33-2682	
Punto	1.7L L4 DSL	33-2632		Cinquecento	0.9L L4 F/I	33-2682 ♦	
Tempra	1.4L L4 F/I	33-2586		Croma	2.0L L4 F/I - 16v Bosch Injection	33-2593	
Tempra	1.6L L4 F/I - 75/78BHP	33-2727		Croma	2.0L L4 F/I - exc. Bosch Injection	E-9134	
Uno	1.4L L4 F/I - Turbo	33-2525		Ducato	1.9L L4 DSL	E-9033	
<b>1995 FIAT</b>				Ducato	2.0L L4 F/I	E-2360	
Barchetta	1.8L L4 F/I	E-9228		Ducato	2.5L L4 DSL	E-9033	
Brava	1.4L L4 F/I	33-2748-1		Panda	1.0L L4 F/I	33-2544	
Brava	1.6L L4 F/I	33-2748-1 ♦		Panda	1.1L L4 F/I	33-2544	
Brava	1.9L L4 DSL	33-2748-1		Punto	1.1L L4 F/I	33-2586	
Bravo	1.4L L4 F/I	33-2748-1		Tempra	1.6L L4 CARB - To Eng. 7741340	33-2586	
Bravo	1.6L L4 F/I	33-2748-1 ♦		Tempra	1.6L L4 F/I - from 6/93	33-2727	
Bravo	1.8L L4 F/I	33-2748-1 ♦		Tipo	1.4L L4 F/I - exc. Cat.	33-2586	
Bravo	1.9L L4 DSL	33-2748-1		Tipo	1.6L L4 F/I - To Eng. 7741339, i.e.	33-2586	
Bravo	2.0L L5 F/I	33-2748-1 ♦		Uno	1.0L L4 F/I	33-2544	
Cinquecento	0.7L L2 F/I	33-2682		Uno	1.1L L4 F/I	33-2544	
Cinquecento	0.9L L4 F/I	33-2682 ♦		Uno	1.4L L4 F/I - exc. Turbo	33-2586 ♦	
Cinquecento	1.1L L4 F/I	33-2586 ♦		Uno	1.4L L4 F/I - Turbo	33-2525 ♦	
Coupe	2.0L L4 F/I	33-2689 ♦		<b>1992 FIAT</b>			
Croma	2.0L L4 F/I - 16v Bosch Injection	33-2593		Cinquecento	0.7L L2 F/I	33-2682	
Croma	2.0L L4 F/I - exc. Bosch Injection	E-9134		Cinquecento	0.9L L4 F/I	33-2682 ♦	
Croma	2.5L L4 DSL	33-2593		Croma	2.0L L4 CARB	E-9134	
Ducato	2.5L L4 DSL - Non-Turbo	E-9033		Croma	2.0L L4 F/I - 16v Bosch Injection	33-2593	
Ducato	2.5L L4 DSL - Turbo	E-9231-1		Croma	2.0L L4 F/I - exc. Bosch Injection	E-9134	
Panda	1.1L L4 F/I	33-2544		Ducato	1.9L L4 DSL	E-9033	
Punto	1.1L L4 F/I	33-2586 ♦		Ducato	2.0L L4 F/I	E-2360	
Punto	1.2L L4 F/I - 60	33-2586 ♦		Ducato	2.5L L4 DSL	E-9033	
Punto	1.2L L4 F/I - 75	33-2729 ♦		Panda	0.7L L4 CARB	E-2640	
Punto	1.4L L4 F/I	33-2730 ♦		Panda	0.7L L4 F/I	33-2544	
Punto	1.6L L4 F/I	33-2730		Panda	1.0L L4 CARB	33-2544	
Punto	1.7L L4 DSL	33-2632		Panda	1.0L L4 F/I	33-2544	
Tempra	1.4L L4 F/I	33-2586		Tempra	1.4L L4 CARB - To Eng. 7741340	33-2586	
Tempra	1.6L L4 F/I - 75/78BHP	33-2727		Tempra	1.4L L4 F/I	33-2586	
Tipo	1.4L L4 F/I - exc. Cat.	33-2586		Tempra	1.6L L4 CARB - To Eng. 7741340	33-2586	
Tipo	1.6L L4 F/I - To Eng. 7741339, i.e.	33-2586		Tipo	1.4L L4 F/I - exc. Cat.	33-2586	
Ulysse	2.0L L4 F/I	33-2539		Tipo	1.6L L4 F/I - To Eng. 7741339, i.e.	33-2586	
Uno	1.4L L4 F/I - Turbo	33-2525		Uno	0.9L L4 CARB	33-2544	
<b>1994 FIAT</b>				Uno	1.0L L4 F/I	33-2544	
Cinquecento	0.7L L2 F/I	33-2682		Uno	1.1L L4 F/I	33-2544	
Cinquecento	0.9L L4 F/I	33-2682 ♦		Uno	1.4L L4 F/I - exc. Turbo	33-2586 ♦	
Cinquecento	1.1L L4 F/I	33-2586 ♦		Uno	1.4L L4 F/I - Turbo	33-2525 ♦	
Coupe	2.0L L4 F/I	33-2689 ♦		Uno	1.5L L4 F/I	E-9122	
Croma	2.0L L4 F/I - 16v Bosch Injection	33-2593					
Croma	2.0L L4 F/I - exc. Bosch Injection	E-9134					
Croma	2.5L L4 DSL	33-2593					
Ducato	2.5L L4 DSL - Non-Turbo	E-9033					
Ducato	2.5L L4 DSL - Turbo	E-9231-1					
Panda	1.0L L4 F/I	33-2544					

\*Indicates 2 filters required    ♦ - Intake kit available    Applications updated daily at [knfilters.com](http://knfilters.com) ®

# AIR & OIL FILTERS

# FIAT

Vehicle	Engine Type	Air Filter	Oil Filter	Vehicle	Engine Type	Air Filter	Oil Filter
<b>1991 FIAT</b>				<b>1987 FIAT</b>			
Croma	2.0L L4 CARB	E-9134		Uno	1.3L L4 CARB	E-9122	
Croma	2.0L L4 F/I	E-9134		Uno	1.3L L4 F/I	33-2525 ♦	
Ducato	2.5L L4 DSL	E-9033		X1/9	1.5L L4 CARB	E-9122	
Panda	1.0L L4 CARB	33-2544		<b>1986 FIAT</b>			
Panda	1.0L L4 F/I	33-2544		127	1.0L L4 CARB	E-2570	
Tipo	1.1L L4 CARB	33-2544		Ritmo	2.0L L4 F/I - 130BHP	33-2502	
Tipo	1.4L L4 F/I - exc. Cat.	33-2586		Uno	0.9L L4 CARB	33-2544	
Tipo	1.6L L4 F/I - To Eng. 7741339, i.e.	33-2586		Uno	1.0L L4 CARB	33-2544	
Uno	0.9L L4 CARB	33-2544		Uno	1.3L L4 CARB	E-9122	
Uno	1.0L L4 F/I	33-2544		Uno	1.3L L4 F/I	33-2525 ♦	
Uno	1.1L L4 F/I	33-2544		Uno	1.5L L4 F/I	33-2525	
Uno	1.3L L4 F/I	33-2525		X1/9	1.5L L4 CARB	E-9122	
Uno	1.4L L4 F/I - exc. Turbo	33-2586 ♦		<b>1985 FIAT</b>			
Uno	1.4L L4 F/I - Turbo	33-2525 ♦		124	2.0L L4 CARB	33-2001	
Uno	1.5L L4 F/I	E-9122		124	2.0L L4 F/I	33-2001	
<b>1990 FIAT</b>				127	1.0L L4 CARB	E-2570	
Ducato	2.5L L4 DSL	E-9033		Uno	1.3L L4 F/I	33-2525 ♦	
Panda	0.7L L4 CARB	E-2640		X1/9	1.5L L4 CARB	E-9122	
Panda	0.7L L4 F/I	33-2544		<b>1984 FIAT</b>			
Panda	1.0L L4 CARB	33-2544		124	2.0L L4 CARB	33-2001	
Panda	1.0L L4 F/I	33-2544		124	2.0L L4 F/I	33-2001	
Regata	1.6L L4 CARB	E-9122		127	1.0L L4 CARB	E-2570	
Tempra	1.6L L4 CARB - To Eng. 7741340	33-2586		Ritmo	2.0L L4 F/I - 130BHP	33-2502	
Tipo	1.4L L4 F/I - exc. Cat.	33-2586		X1/9	1.5L L4 CARB	E-9122	
Tipo	1.6L L4 F/I - To Eng. 7741339, i.e.	33-2586		<b>1983 FIAT</b>			
Uno	0.9L L4 CARB	33-2544		124	2.0L L4 CARB	33-2001	
Uno	1.0L L4 F/I	33-2544		124	2.0L L4 F/I	33-2001	
Uno	1.1L L4 CARB - 50	33-2544		127	0.9L L4 CARB	E-2570	
Uno	1.1L L4 CARB - 60	E-9122		127	1.0L L4 CARB	E-2570	
Uno	1.3L L4 F/I	33-2525		128	1.3L L4 CARB	E-2570	
Uno	1.4L L4 DSL	33-2632		X1/9	1.5L L4 CARB - Non-US	E-9122	
Uno	1.4L L4 F/I - exc. Turbo	33-2586 ♦		X1/9	1.5L L4 F/I - US		HP-2004
Uno	1.4L L4 F/I - Turbo	33-2525 ♦		<b>1982 FIAT</b>			
Uno	1.5L L4 F/I	E-9122		124	2.0L L4 CARB	33-2001	
<b>1989 FIAT</b>				124	2.0L L4 F/I	33-2001	
Panda	0.7L L4 F/I	33-2544		127	0.9L L4 CARB	E-2570	
Tipo	1.4L L4 CARB - To Eng. 7741339	33-2586		128	1.3L L4 CARB - Sport	E-2570	
Tipo	1.4L L4 F/I - exc. Cat.	33-2586		X1/9	1.5L L4 CARB - Non-US	E-9122	
Tipo	1.6L L4 F/I - To Eng. 7741339	33-2586		X1/9	1.5L L4 F/I - US	E-2350	HP-2004
Uno	0.9L L4 CARB	33-2544		<b>1981 FIAT</b>			
Uno	1.0L L4 CARB	33-2544		124	2.0L L4 CARB	33-2001	
Uno	1.1L L4 CARB - 50	33-2544		124	2.0L L4 F/I	33-2001	HP-2004
Uno	1.1L L4 CARB - 55	E-2640		X1/9	1.5L L4 CARB - Non-US	E-9122	
Uno	1.1L L4 CARB - 60	E-9122		X1/9	1.5L L4 F/I - US	E-2350	HP-2004
Uno	1.3L L4 CARB	E-9122		<b>1980 FIAT</b>			
Uno	1.3L L4 F/I	33-2525 ♦		124	2.0L L4 CARB	33-2001	HP-2004
Uno	1.4L L4 DSL - from 9/89	33-2632		124	2.0L L4 F/I	33-2001	HP-2004
Uno	1.4L L4 DSL - to 8/89	33-2525		127	1.0L L4 CARB - 50BHP	E-2570	
Uno	1.4L L4 F/I - exc. Turbo	33-2586		127	1.0L L4 CARB - 70BHP	E-2710	
Uno	1.4L L4 F/I - Turbo	33-2525		128	1.1L L4 CARB	E-2570	
Uno	1.5L L4 F/I	E-9122		128	1.3L L4 CARB - Sport	E-2570	
X1/9	1.5L L4 CARB	E-9122		131	2.0L L4 CARB - w/Round Filter	E-2670	
<b>1988 FIAT</b>				Brava	2.0L L4 CARB		HP-2004
Ritmo	1.5L L4 CARB	E-9122		Brava	2.0L L4 F/I		HP-2004
Ritmo	1.5L L4 F/I	E-9122		X1/9	1.5L L4 CARB - Non-US	E-9122	
Uno	1.0L L4 CARB	33-2544		X1/9	1.5L L4 CARB - US	E-2350	HP-2004
Uno	1.3L L4 CARB	E-9122		X1/9	1.5L L4 F/I - US		HP-2004
Uno	1.3L L4 F/I	33-2525 ♦					
X1/9	1.5L L4 CARB	E-9122					

\*Indicates 2 filters required

♦ - Intake kit available

Applications updated daily at [knfilters.com](http://knfilters.com) ®

Partial Listing - Complete List of Vehicles and Applications at [knfilters.com](http://knfilters.com)

# FIAT

# AIR & OIL FILTERS

Vehicle	Engine Type	Air Filter	Oil Filter
<b>1979 FIAT</b>			
124	2.0L L4 CARB	33-2001	
127	0.9L L4 CARB	E-2570	
127	1.0L L4 CARB - 50BHP	E-2570	
128	1.1L L4 CARB	E-2570	
128	1.3L L4 CARB		HP-2004
128	1.3L L4 CARB - exc. Sport	E-2710	HP-2004
128	1.3L L4 CARB - Sport	E-2570	HP-2004
X1/9	1.3L L4 CARB	E-2710	HP-2004
X1/9	1.5L L4 CARB - Non-US	E-9122	
X1/9	1.5L L4 CARB - US	E-2350	HP-2004
<b>1978 FIAT</b>			
124	1.8L L4 CARB	E-2670	
128	1.1L L4 CARB	E-2570	
128	1.3L L4 CARB		HP-2004
128	1.3L L4 CARB - Sport	E-2570	HP-2004
X1/9	1.3L L4 CARB	E-2710	HP-2004
X1/9	1.5L L4 CARB - Non-US	E-9122	
<b>1977 FIAT</b>			
124	1.8L L4 CARB	E-2670	
128	1.3L L4 CARB		HP-2004
128	1.3L L4 CARB - Sport	E-2570	HP-2004
X1/9	1.3L L4 CARB	E-2710	HP-2004
<b>1976 FIAT</b>			
124	1.8L L4 CARB	E-2670	
127	0.9L L4 CARB	E-2570	
128	1.1L L4 CARB	E-2570	
128	1.3L L4 CARB		HP-2004
128	1.3L L4 CARB - exc. Sport	E-2710	HP-2004
128	1.3L L4 CARB - Sport	E-2570	HP-2004
X1/9	1.3L L4 CARB	E-2710	HP-2004
<b>1975 FIAT</b>			
124	1.8L L4 CARB	E-2670	
127	0.9L L4 CARB	E-2570	
X1/9	1.3L L4 CARB	E-2710	HP-2004
<b>1974 FIAT</b>			
124	1.8L L4 CARB	E-2670	
128	1.3L L4 CARB		HP-2004
128	1.3L L4 CARB - Sport	E-2570	HP-2004
X1/9	1.3L L4 CARB	E-2710	HP-2004
<b>1973 FIAT</b>			
850	0.9L L4 CARB	E-2540	
<b>1972 FIAT</b>			
124	1.6L L4 CARB	E-2670	
850	0.8L L4 CARB	E-2540	
850	0.9L L4 CARB	E-2540	
<b>1971 FIAT</b>			
124	1.6L L4 CARB	E-2670	
850	0.8L L4 CARB	E-2540	
850	0.9L L4 CARB	E-2540	
<b>1970 FIAT</b>			
124	1.6L L4 CARB	E-2670	
850	0.8L L4 CARB	E-2540	
850	0.9L L4 CARB	E-2540	
1500	1.5L L4 CARB	E-2550	
<b>1969 FIAT</b>			
850	0.8L L4 CARB	E-2540	

Vehicle	Engine Type	Air Filter	Oil Filter
<b>1969 FIAT</b>			
1500	1.5L L4 CARB	E-2550	
<b>1968 FIAT</b>			
850	0.8L L4 CARB	E-2540	
850	0.9L L4 CARB	E-2540	
1500	1.5L L4 CARB	E-2550	
<b>1967 FIAT</b>			
124	1.2L L4 CARB	E-2670	HP-2004
<b>2011 FORD</b>			
C-Max II	1.6L L4 DSL	E-2993	
C-Max II	1.6L L4 F/I	E-2993	
C-Max II	2.0L L4 DSL	E-2993	
Crown Victoria	4.6L V8 F/I - exc. Police Package		HP-2010
Crown Victoria	4.6L V8 F/I - Police Package, after 11/13/08		HP-1002
E150	4.6L V8 F/I		HP-2010
E150	5.4L V8 F/I		HP-2010
E250	4.6L V8 F/I		HP-2010
E250	5.4L V8 F/I		HP-2010
E350 Super Duty	5.4L V8 F/I		HP-2010
E350 Super Duty	6.8L V10 F/I		HP-2010
E450 Super Duty	5.4L V8 F/I		HP-2010
E450 Super Duty	6.8L V10 F/I		HP-2010
Edge	3.5L V6 F/I	33-2395	HP-2011
Edge	3.7L V6 F/I	33-2395	HP-2011
Escape	2.5L L4 F/I	33-2187	HP-1002
Escape	3.0L V6 F/I	E-1990	HP-2011
Expedition	5.4L V8 F/I	33-2385 ♦	HP-2010
Explorer	2.0L L4 F/I		HP-1002
Explorer	3.5L V6 F/I	33-2395	HP-2011
F150	3.5L V6 F/I		HP-2011
F150	3.7L V6 F/I	33-2385	HP-2011
F150	5.0L V8 F/I	33-2385	HP-2011
F150	6.2L V8 F/I	33-2385	HP-2010
F150 Raptor	6.2L V8 F/I	33-2385	HP-2010
F250 Super Duty	6.2L V8 F/I	33-2385	HP-2010
F250 Super Duty	6.8L V10 F/I		HP-2010
F350 Super Duty	6.2L V8 F/I		HP-2010
F350 Super Duty	6.8L V10 F/I		HP-2010
F450 Super Duty	6.2L V8 F/I		HP-2010
F450 Super Duty	6.8L V10 F/I		HP-2010
F550 Super Duty	6.2L V8 F/I		HP-2010
F550 Super Duty	6.8L V10 F/I		HP-2010
Fiesta	1.6L L4 F/I		HP-1002
Fiesta VI	1.25L L4 F/I	33-2955 ♦	
Fiesta VI	1.4L L4 F/I	33-2955 ♦	
Fiesta VI	1.6L L4 DSL	33-2955 ♦	
Fiesta VI	1.6L L4 F/I	33-2955 ♦	
Flex	3.5L V6 F/I	33-2395 ♦	HP-2011
Focus	2.0L L4 F/I		HP-1002
Focus	2.0L L4 F/I - US	33-2401 ♦	HP-1002
Focus III	1.6L L4 DSL	E-2993	
Focus III	1.6L L4 F/I	E-2993	
Focus III	2.0L L4 DSL	E-2993	
Fusion	1.4L L4 F/I	33-2853	
Fusion	1.6L L4 F/I	33-2853	
Fusion	2.5L L4 F/I	33-2357	HP-1002
Fusion	3.0L V6 F/I	33-2340	HP-2011
Fusion	3.5L V6 F/I	33-2395	HP-2011
Galaxy II	1.6L L4 F/I	33-2393	
Galaxy II	2.0L L4 DSL	33-2393	
Galaxy II	2.0L L4 F/I	33-2393	
Grand C-Max	1.6L L4 DSL	E-2993	

\*Indicates 2 filters required

♦ - Intake kit available

Applications updated daily at [knfilters.com](http://knfilters.com) ®



# AIR & OIL FILTERS

# FORD

Vehicle	Engine Type	Air Filter	Oil Filter	Vehicle	Engine Type	Air Filter	Oil Filter
<b>2011 FORD</b>				<b>2010 FORD</b>			
Grand C-Max	1.6L L4 F/I	E-2993		F550 Super Duty	6.4L V8 DSL	E-0785 ♦	HP-7009
Grand C-Max	2.0L L4 DSL	E-2993		F550 Super Duty	6.8L V10 F/I	33-2385	HP-2010
Ka	1.2L L4 F/I	33-2931 ♦		Fiesta VI	1.25L L4 F/I	33-2955 ♦	
Ka	1.3L L4 DSL	33-2932		Fiesta VI	1.4L L4 DSL	33-2840	
Kuga	2.0L L4 DSL	E-2993		Fiesta VI	1.4L L4 F/I	33-2955 ♦	
Kuga	2.5L L5 F/I	33-2873		Fiesta VI	1.6L L4 DSL	33-2955 ♦	
Mondeo IV	2.0L L4 DSL	33-2393		Fiesta VI	1.6L L4 F/I	33-2955 ♦	
Mondeo IV	2.0L L4 F/I	33-2393		Flex	3.5L V6 F/I	33-2395 ♦	HP-2011
Mustang	3.7L V6 F/I	33-2431	HP-2011	Focus	2.0L L4 F/I		HP-1002
Mustang GT	5.0L V8 F/I	33-2431 ♦	HP-2011	Focus	2.0L L4 F/I - US	33-2401 ♦	HP-1002
Mustang Shelby GT500	5.4L V8 F/I		HP-2010	Focus II	1.4L L4 F/I	E-2993	
Ranger	2.3L L4 F/I	33-2106-1	HP-1002	Focus II	1.6L L4 DSL	E-2993	
Ranger	4.0L V6 F/I	33-2106-1	HP-2010	Focus II	1.6L L4 F/I	E-2993 ♦	
S-Max	1.6L L4 F/I	33-2393		Focus II	1.8L L4 F/I	E-2993	
S-Max	2.0L L4 DSL	33-2393		Focus II	2.0L L4 F/I	E-2993	
S-Max	2.0L L4 F/I	33-2393		Focus II	2.5L L5 F/I - RS	E-2993	
Taurus	3.5L V6 F/I	33-2395	HP-2011	Focus II	1.6L L4 DSL	E-2993	
Transit Connect	2.0L L4 F/I	33-2436	HP-1002	Focus III	1.6L L4 F/I	E-2993	
<b>2010 FORD</b>				Focus III	2.0L L4 DSL	E-2993	
C-Max	1.6L L4 DSL	E-2993		Fusion	1.4L L4 F/I	33-2853	
C-Max	1.6L L4 F/I	E-2993		Fusion	1.6L L4 F/I	33-2853	
C-Max	1.8L L4 F/I	E-2993		Fusion	2.5L L4 F/I	33-2357	HP-1002
C-Max	2.0L L4 DSL	E-2993		Fusion	3.0L V6 F/I	33-2340	HP-2011
C-Max	2.0L L4 F/I	E-2993		Fusion	3.5L V6 F/I	33-2395	HP-2011
C-Max II	1.6L L4 DSL	E-2993		Fusion Hybrid	2.5L L4 F/I		HP-1002
C-Max II	1.6L L4 F/I	E-2993		Galaxy II	1.6L L4 F/I	33-2393	
C-Max II	2.0L L4 DSL	E-2993		Galaxy II	2.0L L4 DSL	33-2393	
Crown Victoria	4.6L V8 F/I - exc. Police Package		HP-2010	Galaxy II	2.0L L4 F/I	33-2393 ♦	
Crown Victoria	4.6L V8 F/I - Police Package		HP-1002	Galaxy II	2.3L L4 F/I	33-2393	
E150	4.6L V8 F/I	E-0945	HP-2010	Galaxy II	2.5L L5 F/I	33-2873	
E150	5.4L V8 F/I	E-0945	HP-2010	Grand C-Max	1.6L L4 DSL	E-2993	
E250	4.6L V8 F/I	E-0945	HP-2010	Grand C-Max	1.6L L4 F/I	E-2993	
E250	5.4L V8 F/I	E-0945	HP-2010	Grand C-Max	2.0L L4 DSL	E-2993	
E350 Super Duty	5.4L V8 F/I	E-0945	HP-2010	Ka	1.2L L4 F/I	33-2931 ♦	
E350 Super Duty	6.0L V8 DSL	33-2341		Ka	1.3L L4 DSL	33-2932	
E350 Super Duty	6.0L V8 DSL - Early Prod.	33-2341	HP-7009	Kuga	2.0L L4 DSL	E-2993	
E350 Super Duty	6.8L V10 F/I	E-0945 ♦	HP-2010	Kuga	2.5L L5 F/I	33-2873	
E450 Super Duty	5.4L V8 F/I		HP-2010	Lobo	4.6L V8 F/I		HP-2010
E450 Super Duty	6.0L V8 DSL	33-2341	HP-7009	Lobo	5.4L V8 F/I		HP-2010
E450 Super Duty	6.8L V10 F/I	E-0945 ♦	HP-2010	Mondeo IV	1.6L L4 F/I	33-2393	
Ecosport	2.0L L4 F/I		HP-1002	Mondeo IV	2.0L L4 DSL	33-2393	
Edge	3.5L V6 F/I	33-2395 ♦	HP-2011	Mondeo IV	2.0L L4 F/I	33-2393 ♦	
Escape	2.5L L4 F/I	33-2187	HP-1002	Mondeo IV	2.2L L4 DSL	33-2393	
Escape	3.0L V6 F/I	E-1990	HP-2011	Mondeo IV	2.3L L4 F/I	33-2393	
Escape Hybrid	2.5L L4 F/I	33-2347	HP-1002	Mondeo IV	2.5L L5 F/I	33-2873	
Expedition	5.4L V8 F/I	33-2385 ♦	HP-2010	Mustang	4.0L V6 F/I	33-2298 ♦	HP-2010
Explorer	4.0L V6 F/I	33-2366	HP-2010	Mustang GT	4.6L V8 F/I	33-2431 ♦	HP-2010
Explorer	4.6L V8 F/I	33-2353	HP-2010	Mustang Shelby	5.4L V8 F/I		HP-2010
Explorer Sport Trac	4.0L V6 F/I	33-2366	HP-2010	Mustang Shelby GT500	5.4L V8 F/I		HP-2010
Explorer Sport Trac	4.6L V8 F/I	33-2353	HP-2010	Ranger	2.3L L4 F/I	33-2106-1	HP-1002
F150	4.6L V8 F/I	33-2385 ♦	HP-2010	Ranger	4.0L V6 F/I	33-2106-1 ♦	HP-2010
F150	5.4L V8 F/I	33-2385 ♦	HP-2010	S-Max	1.6L L4 F/I	33-2393	
F150 Raptor	6.2L V8 F/I	33-2385 ♦	HP-2010	S-Max	2.0L L4 DSL	33-2393	
F250 Super Duty	5.4L V8 F/I	33-2385 ♦	HP-2010	S-Max	2.0L L4 F/I	33-2393 ♦	
F250 Super Duty	6.4L V8 DSL	E-0785 ♦	HP-7009	S-Max	2.3L L4 F/I	33-2393	
F250 Super Duty	6.8L V10 F/I	33-2385	HP-2010	S-Max	2.5L L5 F/I	33-2873	
F350 Super Duty	5.4L V8 F/I	33-2385 ♦	HP-2010	Taurus	3.5L V6 F/I	33-2395	HP-2011
F350 Super Duty	6.4L V8 DSL	E-0785 ♦	HP-7009	Transit Connect	2.0L L4 F/I	33-2436	HP-1002
F350 Super Duty	6.8L V10 F/I	33-2385	HP-2010	<b>2009 FORD</b>			
F450 Super Duty	6.4L V8 DSL	E-0785 ♦	HP-7009	C-Max	1.6L L4 DSL	E-2993	
F450 Super Duty	6.8L V10 F/I	33-2385	HP-2010	C-Max	1.6L L4 F/I	E-2993 ♦	
F450 Super Duty	6.4L V8 DSL	E-0785 ♦	HP-7009	C-Max	1.8L L4 F/I	E-2993 ♦	
F450 Super Duty	6.8L V10 F/I	33-2385	HP-2010				

\*Indicates 2 filters required      ♦ - Intake kit available      Applications updated daily at [knfilters.com](http://knfilters.com) ®

**Partial Listing - Complete List of Vehicles and Applications at [knfilters.com](http://knfilters.com)**

# FORD

# AIR & OIL FILTERS

Vehicle	Engine Type	Air Filter	Oil Filter	Vehicle	Engine Type	Air Filter	Oil Filter
<b>2009 FORD</b>				<b>2009 FORD</b>			
C-Max	2.0L L4 DSL	E-2993		Focus	2.0L L4 F/I		HP-1002
C-Max	2.0L L4 F/I	E-2993 ♦		Focus	2.0L L4 F/I - US	33-2401 ♦	HP-1002
Crown Victoria	4.6L V8 F/I - Exc Police Package. after 11/13/08		HP-2010	Focus II	1.4L L4 F/I	E-2993	
Crown Victoria	4.6L V8 F/I - Police Package. after 11/13/08		HP-1002	Focus II	1.6L L4 DSL	E-2993	
E150	4.6L V8 F/I	E-0945	HP-2010	Focus II	1.6L L4 F/I	E-2993 ♦	
E150	5.4L V8 F/I	E-0945	HP-2010	Focus II	1.8L L4 F/I	E-2993 ♦	
E250	4.6L V8 F/I	E-0945	HP-2010	Focus II	2.0L L4 DSL	E-2993	
E250	5.4L V8 F/I	E-0945	HP-2010	Focus II	2.0L L4 F/I	E-2993 ♦	
E350 Super Duty	5.4L V8 F/I	E-0945	HP-2010	Focus II	2.5L L5 F/I - RS	E-2993 ♦	
E350 Super Duty	6.0L V8 DSL	33-2341		Focus II	2.5L L5 F/I - ST	33-2873 ♦	
E350 Super Duty	6.0L V8 DSL - Early Prod.	33-2341	HP-7009	Fusion	1.4L L4 F/I	33-2853	
E350 Super Duty	6.8L V10 F/I	E-0945 ♦	HP-2010	Fusion	1.6L L4 F/I	33-2853	
E450 Super Duty	5.4L V8 F/I		HP-2010	Fusion	2.3L L4 F/I	33-2357 ♦	HP-7013
E450 Super Duty	6.0L V8 DSL	33-2341		Fusion	3.0L V6 F/I	33-2340 ♦	HP-2010
E450 Super Duty	6.8L V10 F/I	E-0945 ♦	HP-2010	Galaxy II	2.0L L4 DSL	33-2393	
Edge	3.5L V6 F/I	33-2395 ♦		Galaxy II	2.0L L4 F/I	33-2393 ♦	
Edge	3.5L V6 F/I - Built After 1-15-09	33-2395	HP-2011	Galaxy II	2.3L L4 F/I	33-2393 ♦	
Edge	3.5L V6 F/I - Built Before 1-15-09	33-2395	HP-2009	Galaxy II	2.5L L5 F/I	33-2873	
Escape	2.5L L4 F/I	33-2187		Ka	1.2L L4 F/I	33-2931 ♦	
Escape	2.5L L4 F/I - Cartridge	33-2187	HP-7013	Ka	1.3L L4 DSL	33-2932	
Escape	2.5L L4 F/I - Spin On	33-2187	HP-1002	Kuga	2.0L L4 DSL	E-2993	
Escape	3.0L V6 F/I	E-1990	HP-2011	Kuga	2.5L L5 F/I	33-2873	
Escape Hybrid	2.5L L4 F/I	33-2347		LCF	4.5L V6 DSL - OEM 6E7Z9155BA		FF-4604
Escape Hybrid	2.5L L4 F/I - Cartridge	33-2347	HP-7013	Lobo	4.6L V8 F/I - 22mm Thread		HP-2010
Escape Hybrid	2.5L L4 F/I - Spin On	33-2347	HP-1002	Lobo	4.6L V8 F/I - 3/4 thread		HP-2009
Expedition	5.4L V8 F/I	33-2385 ♦	HP-2010	Lobo	5.4L V8 F/I		HP-2010
Explorer	4.0L V6 F/I	33-2366	HP-2010	Mondeo IV	1.6L L4 F/I	33-2393 ♦	
Explorer	4.6L V8 F/I	33-2353	HP-2010	Mondeo IV	2.0L L4 DSL	33-2393	
Explorer Sport Trac	4.0L V6 F/I	33-2366	HP-2010	Mondeo IV	2.0L L4 F/I	33-2393 ♦	
Explorer Sport Trac	4.6L V8 F/I	33-2353	HP-2010	Mondeo IV	2.3L L4 F/I	33-2393 ♦	
F150	4.6L V8 F/I	33-2385 ♦		Mondeo IV	2.5L L5 F/I	33-2873	
F150	4.6L V8 F/I - 22mm Thread	33-2385	HP-2010	Mustang	4.0L V6 F/I	33-2298 ♦	HP-2010
F150	4.6L V8 F/I - 3/4 thread	33-2385	HP-2009	Mustang Bullitt	4.6L V8 F/I		HP-2010
F150	5.4L V8 F/I	33-2385 ♦	HP-2010	Mustang GT	4.6L V8 F/I	33-2298 ♦	HP-2010
F250 Super Duty	5.4L V8 F/I	33-2385 ♦	HP-2010	Mustang Shelby	5.4L V8 F/I	33-2365 ♦	HP-2010
F250 Super Duty	6.4L V8 DSL	E-0785 ♦		Ranger	2.3L L4 F/I	33-2106-1	HP-1002
F250 Super Duty	6.4L V8 DSL - Early Prod.	E-0785	HP-7009	Ranger	4.0L V6 F/I	33-2106-1 ♦	HP-2010
F250 Super Duty	6.8L V10 F/I	33-2385	HP-2010	S-Max	2.0L L4 DSL	33-2393	
F350	5.4L V8 F/I	33-2385	HP-2010	S-Max	2.0L L4 F/I	33-2393 ♦	
F350 Super Duty	5.4L V8 F/I	33-2385 ♦	HP-2010	S-Max	2.3L L4 F/I	33-2393 ♦	
F350 Super Duty	6.4L V8 DSL	E-0785 ♦		S-Max	2.5L L5 F/I	33-2873	
F350 Super Duty	6.4L V8 DSL - Early Prod.	E-0785	HP-7009	Taurus	3.5L V6 F/I	33-2395	
F350 Super Duty	6.8L V10 F/I	33-2385	HP-2010	Taurus	3.5L V6 F/I - Built After 1-15-09	33-2395	HP-2011
F450	6.8L V10 F/I	33-2385		Taurus	3.5L V6 F/I - Built Before 1-15-09	33-2395	HP-2009
F450 Super Duty	6.4L V8 DSL	E-0785 ♦		Taurus X	3.5L V6 F/I	33-2395	HP-2009
F450 Super Duty	6.4L V8 DSL - Early Prod.	E-0785	HP-7009	<b>2008 FORD</b>			
F450 Super Duty	6.8L V10 F/I	33-2385		C-Max	1.6L L4 DSL	E-2993	
F550 Super Duty	6.4L V8 DSL	E-0785 ♦		C-Max	1.6L L4 F/I	E-2993 ♦	
F550 Super Duty	6.8L V10 F/I	33-2385	HP-2010	C-Max	1.8L L4 F/I	E-2993 ♦	
Fiesta VI	1.25L L4 F/I	33-2955 ♦		C-Max	2.0L L4 DSL	E-2993	
Fiesta VI	1.4L L4 DSL	33-2840		C-Max	2.0L L4 F/I	E-2993 ♦	
Fiesta VI	1.4L L4 F/I	33-2955 ♦		Crown Victoria	4.6L V8 F/I	33-2272	HP-2010
Fiesta VI	1.6L L4 DSL	33-2955 ♦		E150	4.6L V8 F/I	E-0945	HP-2010
Fiesta VI	1.6L L4 F/I	33-2955 ♦		E150	5.4L V8 F/I	E-0945	HP-2010
Flex	3.5L V6 F/I	33-2395 ♦		E250	4.6L V8 F/I	E-0945	HP-2010
Flex	3.5L V6 F/I - Built After 1-15-09	33-2395	HP-2011	E250	5.4L V8 F/I	E-0945	HP-2010
Flex	3.5L V6 F/I - Built Before 1-15-09	33-2395	HP-2009	E350 Super Duty	5.4L V8 F/I	E-0945	HP-2010
				E350 Super Duty	6.0L V8 DSL	33-2341	HP-7009
				E350 Super Duty	6.8L V10 F/I	E-0945 ♦	HP-2010
				E450 Super Duty	5.4L V8 F/I		HP-2010
				E450 Super Duty	6.0L V8 DSL	33-2341	HP-7009

\*Indicates 2 filters required

♦ - Intake kit available

Applications updated daily at [knfilters.com](http://knfilters.com) ®

# AIR & OIL FILTERS

# FORD

Vehicle	Engine Type	Air Filter	Oil Filter	Vehicle	Engine Type	Air Filter	Oil Filter
<b>2008 FORD</b>				<b>2008 FORD</b>			
E450 Super Duty	6.8L V10 F/I	E-0945 ♦	HP-2010	Ka	1.6L L4 F/I	33-2862 ♦	HP-2009
Edge	3.5L V6 F/I	33-2395 ♦	HP-2009	Kuga	2.0L L4 DSL	E-2993	
Escape	2.3L L4 F/I	33-2187		LCF	4.5L V6 DSL - OEM 6E7Z9155BA		FF-4604
Escape	2.3L L4 F/I - Cartridge	33-2187	HP-7013	Lobo	4.6L V8 F/I - 22mm Thread		HP-2010
Escape	2.3L L4 F/I - Spin On	33-2187	HP-1002	Lobo	4.6L V8 F/I - 3/4 thread		HP-2009
Escape	3.0L V6 F/I	33-2187	HP-2010	Lobo	5.4L V8 F/I		HP-2010
Escape Hybrid	2.3L L4 F/I	33-2347	HP-7013	Mondeo IV	1.6L L4 F/I	33-2393 ♦	
Expedition	5.4L V8 F/I	33-2385 ♦	HP-2010	Mondeo IV	1.8L L4 DSL	33-2393	
Explorer	4.0L V6 F/I	33-2366	HP-2010	Mondeo IV	1.8L L4 F/I	33-2393 ♦	
Explorer	4.6L V8 F/I	33-2353 ♦	HP-2010	Mondeo IV	2.0L L4 DSL	33-2393	
Explorer Sport Trac	4.0L V6 F/I	33-2366	HP-2010	Mondeo IV	2.0L L4 F/I	33-2393 ♦	
Explorer Sport Trac	4.6L V8 F/I	33-2353	HP-2010	Mondeo IV	2.3L L4 F/I	33-2393 ♦	
F150	4.2L V6 F/I	E-0945	HP-2009	Mondeo IV	2.5L L5 F/I	33-2873	
F150	4.6L V8 F/I	E-0945 ♦		Mustang	4.0L V6 F/I	33-2298 ♦	HP-2010
F150	4.6L V8 F/I - 22mm Thread	E-0945	HP-2010	Mustang Bullitt	4.6L V8 F/I		HP-2010
F150	4.6L V8 F/I - 3/4 thread	E-0945	HP-2009	Mustang GT	4.6L V8 F/I	33-2298 ♦	HP-2010
F150	5.4L V8 F/I	33-2287 ♦	HP-2010	Mustang Shelby	5.4L V8 F/I	33-2365 ♦	HP-2010
F250 Super Duty	5.4L V8 F/I	33-2385 ♦	HP-2010	Ranger	2.3L L4 F/I	33-2106-1	HP-1002
F250 Super Duty	6.4L V8 DSL	E-0785 ♦	HP-7009	Ranger	2.5L L4 DSL	E-2296	
F250 Super Duty	6.8L V10 F/I	33-2385	HP-2010	Ranger	3.0L L6 DSL	E-2296	
F350	5.4L V8 F/I	33-2385	HP-2010	Ranger	3.0L V6 F/I	33-2106-1 ♦	HP-2009
F350 Super Duty	5.4L V8 F/I	33-2385 ♦	HP-2010	Ranger	4.0L V6 F/I	33-2106-1 ♦	HP-2010
F350 Super Duty	6.4L V8 DSL	E-0785 ♦	HP-7009	S-Max	1.8L L4 DSL	33-2393	
F350 Super Duty	6.8L V10 F/I	33-2385	HP-2010	S-Max	2.0L L4 DSL	33-2393	
F450	6.8L V10 F/I	33-2385	HP-2010	S-Max	2.0L L4 F/I	33-2393 ♦	
F450 Super Duty	6.4L V8 DSL	E-0785 ♦	HP-7009	S-Max	2.3L L4 F/I	33-2393 ♦	
F450 Super Duty	6.8L V10 F/I	33-2385	HP-2010	S-Max	2.5L L5 F/I	33-2873	
F550 Super Duty	6.4L V8 DSL	E-0785 ♦	HP-7009	Taurus	3.5L V6 F/I	33-2395	HP-2009
F550 Super Duty	6.8L V10 F/I	33-2385	HP-2010	Taurus X	3.5L V6 F/I	33-2395	HP-2009
Falcon	4.0L L6 F/I - Turbo	33-2950		Tourneo Connect	1.8L L4 DSL	33-2819	
Fiesta	1.6L L4 F/I		HP-2009	Tourneo Connect	1.8L L4 F/I	33-2819	
Fiesta Ikon	1.6L L4 F/I		HP-2009	Transit	2.3L L4 F/I	33-2861	
Fiesta V	1.3L L4 F/I	33-2853		Transit	2.4L L4 DSL	33-2861	
Fiesta V	1.4L L4 F/I	33-2853		Transit Connect	1.8L L4 DSL	33-2819	
Fiesta V	1.6L L4 DSL	33-2883		Transit Connect	1.8L L4 F/I	33-2819	
Fiesta V	1.6L L4 F/I	33-2853		<b>2007 FORD</b>			
Fiesta V	2.0L L4 F/I	33-2880 ♦		C-Max	1.6L L4 DSL	E-2993	
Fiesta VI	1.25L L4 F/I	33-2955 ♦		C-Max	1.6L L4 F/I	E-2993 ♦	
Fiesta VI	1.4L L4 DSL	33-2840 ♦		C-Max	1.8L L4 F/I	E-2993 ♦	
Fiesta VI	1.4L L4 F/I	33-2955 ♦		C-Max	2.0L L4 DSL	E-2993	
Fiesta VI	1.6L L4 DSL	33-2955		C-Max	2.0L L4 F/I	E-2993 ♦	
Fiesta VI	1.6L L4 F/I	33-2955 ♦		Crown Victoria	4.6L V8 F/I	33-2272	HP-2010
Focus	2.0L L4 F/I		HP-1002	Custom Chassis	6.8L V10 F/I - Class A	33-2313	
Focus	2.0L L4 F/I - US, exc. PZEV	33-2401 ♦	HP-1002	E150	4.6L V8 F/I	E-0945	HP-2010
Focus	2.3L L4 F/I		HP-1002	E150	5.4L V8 F/I	E-0945	HP-2010
Focus II	1.4L L4 F/I	E-2993		E250	4.6L V8 F/I	E-0945	HP-2010
Focus II	1.6L L4 DSL	E-2993		E250	5.4L V8 F/I	E-0945	HP-2010
Focus II	1.6L L4 F/I	E-2993 ♦		E350 Cutaway	5.4L V8 F/I - Class C	E-0945	
Focus II	1.8L L4 DSL	E-2993		E350 Cutaway	6.0L V8 DSL - Class C	33-2341	
Focus II	1.8L L4 F/I	E-2993 ♦		E350 Cutaway	6.8L V10 F/I - Class C	E-0945	
Focus II	2.0L L4 DSL	E-2993		E350 Super Duty	5.4L V8 F/I	E-0945	HP-2010
Focus II	2.0L L4 F/I	E-2993 ♦		E350 Super Duty	6.0L V8 DSL	33-2341	HP-7009
Focus II	2.5L L5 F/I	33-2873 ♦		E350 Super Duty	6.8L V10 F/I	E-0945 ♦	HP-2010
Fusion	1.4L L4 F/I	33-2853		E450 Cutaway	6.0L V8 DSL - Class C	33-2341	
Fusion	1.6L L4 F/I	33-2853		E450 Cutaway	6.8L V10 F/I - Class C	E-0945	
Fusion	2.3L L4 F/I	33-2357 ♦	HP-7013	E450 Super Duty	6.0L V8 DSL	33-2341	HP-7009
Fusion	3.0L V6 F/I	33-2340 ♦	HP-2010	E450 Super Duty	6.8L V10 F/I	E-0945 ♦	HP-2010
Galaxy II	1.8L L4 DSL	33-2393		Edge	3.5L V6 F/I	33-2395 ♦	HP-2009
Galaxy II	2.0L L4 DSL	33-2393		Escape	2.3L L4 F/I	33-2187	
Galaxy II	2.0L L4 F/I	33-2393 ♦		Escape	2.3L L4 F/I - Cartridge	33-2187	HP-7013
Galaxy II	2.3L L4 F/I	33-2393 ♦		Escape	2.3L L4 F/I - Spin On	33-2187	HP-1002
Ka	1.0L L4 F/I	33-2024		Escape	3.0L V6 F/I	33-2187	HP-2010
Ka	1.3L L4 F/I	33-2862 ♦					

\*Indicates 2 filters required

♦ - Intake kit available

Applications updated daily at [knfilters.com](http://knfilters.com) ®

**Partial Listing - Complete List of Vehicles and Applications at [knfilters.com](http://knfilters.com)**

# FORD

# AIR & OIL FILTERS

Vehicle	Engine Type	Air Filter	Oil Filter	Vehicle	Engine Type	Air Filter	Oil Filter
<b>2007 FORD</b>				<b>2007 FORD</b>			
Escape Hybrid	2.3L L4 F/I	33-2347	HP-7013	Focus II	1.6L L4 DSL - to 7/07	33-2874 ♦	
Expedition	5.4L V8 F/I	33-2385 ♦	HP-2010	Focus II	1.6L L4 F/I - from 8/07	E-2993 ♦	
Explorer	4.0L V6 F/I	33-2366	HP-2010	Focus II	1.6L L4 F/I - to 7/07	33-2877 ♦	
Explorer	4.6L V8 F/I	33-2353 ♦	HP-2010	Focus II	1.8L L4 DSL - from 8/07	E-2993	
Explorer Sport Trac	4.0L V6 F/I	33-2366	HP-2010	Focus II	1.8L L4 DSL - to 7/07	33-2886	
Explorer Sport Trac	4.6L V8 F/I	33-2353	HP-2010	Focus II	1.8L L4 F/I - from 8/07	E-2993 ♦	
F150	4.2L V6 F/I	E-0945	HP-2009	Focus II	1.8L L4 F/I - to 7/07	33-2877 ♦	
F150	4.6L V8 F/I	E-0945 ♦		Focus II	2.0L L4 DSL - from 8/07	E-2993 ♦	
F150	4.6L V8 F/I - 22mm Thread	E-0945	HP-2010	Focus II	2.0L L4 DSL - to 7/07	33-2886 ♦	
F150	4.6L V8 F/I - 3/4 thread	E-0945	HP-2009	Focus II	2.0L L4 F/I - from 8/07	E-2993 ♦	
F150	5.4L V8 F/I	33-2287 ♦	HP-2010	Focus II	2.0L L4 F/I - to 7/07	33-2877 ♦	
F250 Custom Chassis	6.8L V10 F/I - Class A	33-2313		Focus II	2.5L L5 F/I	33-2873 ♦	
F250 Harley Davidson Super Duty	6.0L V8 DSL	E-0780 ♦	HP-7009	Focus II	3.9L V6 F/I	33-2321	HP-2009
F250 Super Duty	5.4L V8 F/I	33-2287 ♦	HP-2010	Freestar	4.2L V6 F/I	33-2321	HP-2009
F250 Super Duty	6.0L V8 DSL	E-0772 ♦	HP-7009	Freestar	3.0L V6 F/I	33-2308	HP-2010
		E-0780 ♦	HP-7009	Freestyle	1.25L L4 F/I	33-2853	
F250 Super Duty	6.8L V10 F/I	33-2313	HP-2010	Fusion	1.4L L4 DSL	33-2840	
F350	5.4L V8 F/I	33-2287	HP-2010	Fusion	1.4L L4 F/I	33-2853	
F350 Cutaway	5.4L V8 F/I - Class C	33-2287		Fusion	1.6L L4 DSL	33-2883	
F350 Cutaway	6.0L V8 DSL - Class C	E-0772 ♦		Fusion	1.6L L4 F/I	33-2853	
F350 Cutaway	6.8L V10 F/I - Class C	33-2313		Fusion	2.3L L4 F/I	33-2357 ♦	HP-7013
F350 Harley Davidson Super Duty	6.0L V8 DSL	E-0780 ♦	HP-7009	Fusion	3.0L V6 F/I	33-2340 ♦	HP-2010
F350 Super Duty	5.4L V8 F/I	33-2287 ♦	HP-2010	Galaxy II	1.8L L4 DSL	33-2393	
F350 Super Duty	6.0L V8 DSL	E-0780 ♦	HP-7009	Galaxy II	2.0L L4 DSL	33-2393	
F350 Super Duty	6.8L V10 F/I	33-2313	HP-2010	Galaxy II	2.0L L4 F/I	33-2393 ♦	
F450	6.8L V10 F/I	33-2313	HP-2010	Galaxy II	2.3L L4 F/I	33-2393 ♦	
F450 Cutaway	6.0L V8 DSL - Class C	E-0772		Ka	1.0L L4 F/I	33-2024	
F450 Cutaway	6.8L V10 F/I - Class C	33-2313		Ka	1.3L L4 F/I	33-2862 ♦	
F450 Super Duty	6.0L V8 DSL	E-0780 ♦	HP-7009	Ka	1.6L L4 F/I	33-2862 ♦	HP-2009
F450 Super Duty	6.8L V10 F/I	33-2313	HP-2010	LCF	4.5L V6 DSL - OEM 6E7Z9155BA		FF-4604
F550 Cutaway	6.0L V8 DSL - Class C	E-0772		Lobo	4.6L V8 F/I - 22mm Thread		HP-2010
F550 Cutaway	6.8L V10 F/I - Class C	33-2313		Lobo	4.6L V8 F/I - 3/4 thread		HP-2009
F550 Super Duty	6.0L V8 DSL	E-0780 ♦	HP-7009	Lobo	5.4L V8 F/I		HP-2010
F550 Super Duty	6.8L V10 F/I	33-2313	HP-2010	Mondeo III	2.0L L4 DSL	33-2393 ♦	
Fairmont	4.0L V6 F/I	33-2852	HP-3001	Mondeo III	2.2L L4 DSL	33-2210 ♦	
Fairmont	5.4L V8 F/I	33-2852	HP-2010	Mondeo III	3.0L V6 F/I	33-2210 ♦	
Falcon	4.0L V6 F/I	33-2852		Mondeo IV	1.6L L4 F/I	33-2393 ♦	
Falcon	4.0L V6 F/I - DOHC	33-2852	HP-3001	Mondeo IV	1.8L L4 DSL	33-2393	
Falcon	4.0L V6 F/I - SOHC	33-2852	HP-2010	Mondeo IV	1.8L L4 F/I	33-2393 ♦	
Falcon	5.4L V8 F/I	33-2852	HP-2010	Mondeo IV	2.0L L4 F/I	33-2393 ♦	
Fiesta	1.25L L4 F/I	33-2853		Mondeo IV	2.3L L4 F/I	33-2393 ♦	
Fiesta	1.6L L4 F/I		HP-2009	Mondeo IV	2.5L L5 F/I	33-2873	
Fiesta Ikon	1.6L L4 F/I		HP-2009	Mustang	4.0L V6 F/I	33-2298 ♦	HP-2010
Fiesta V	1.3L L4 F/I	33-2853		Mustang GT	4.6L V8 F/I	33-2298 ♦	HP-2010
Fiesta V	1.4L L4 DSL	33-2840 ♦		Mustang Shelby	5.4L V8 F/I	33-2365 ♦	HP-2010
Fiesta V	1.4L L4 F/I	33-2853 ♦		Ranger	2.3L L4 F/I	33-2106-1	HP-1002
Fiesta V	1.6L L4 DSL	33-2883		Ranger	2.5L L4 DSL	E-2296	
Fiesta V	1.6L L4 F/I	33-2853 ♦		Ranger	3.0L L6 DSL	E-2296	
Fiesta V	2.0L L4 F/I	33-2880 ♦		Ranger	3.0L V6 F/I	33-2106-1 ♦	HP-2009
Five Hundred	3.0L V6 F/I	33-2308	HP-2010	Ranger	4.0L V6 F/I	33-2106-1 ♦	HP-2010
Focus	2.0L L4 F/I		HP-1002	S-Max	1.8L L4 DSL	33-2393	
Focus	2.3L L4 F/I		HP-1002	S-Max	2.0L L4 DSL	33-2393	
Focus C-Max	1.6L L4 DSL - to 5/07	33-2874		S-Max	2.0L L4 F/I	33-2393 ♦	
Focus C-Max	1.6L L4 F/I - to 5/07	33-2877		S-Max	2.3L L4 F/I	33-2393 ♦	
Focus C-Max	1.8L L4 DSL - to 5/07	33-2886		S-Max	2.5L L5 F/I	33-2873	
Focus C-Max	1.8L L4 F/I - to 5/07	33-2877		S-Max	3.0L V6 F/I	33-2150	HP-2009
Focus C-Max	2.0L L4 DSL	33-2886		Taurus	1.8L L4 DSL	33-2819	
Focus C-Max	2.0L L4 F/I	33-2877 ♦		Tourneo Connect	1.8L L4 F/I	33-2819	
Focus II	1.4L L4 F/I - from 8/07	E-2993 ♦		Tourneo Connect	1.8L L4 F/I	33-2819	
Focus II	1.4L L4 F/I - to 7/07	33-2877 ♦		Transit	2.0L L4 DSL	33-2861	
Focus II	1.6L L4 DSL - from 8/07	E-2993 ♦		Transit	2.2L L4 DSL	33-2861	
				Transit	2.3L L4 F/I	33-2861	

\*Indicates 2 filters required      ♦ - Intake kit available      Applications updated daily at [knfilters.com](http://knfilters.com) ®

# AIR & OIL FILTERS

# FORD

Vehicle	Engine Type	Air Filter	Oil Filter	Vehicle	Engine Type	Air Filter	Oil Filter
<b>2007 FORD</b>				<b>2006 FORD</b>			
Transit	2.4L L4 DSL	33-2861		Falcon	4.0L V6 F/I - SOHC	33-2852	HP-2010
Transit Connect	1.8L L4 DSL	33-2819		Falcon	5.4L V8 F/I	33-2852	HP-2010
Transit Connect	1.8L L4 F/I	33-2819		Fiesta	1.6L L4 F/I		HP-2009
<b>2006 FORD</b>				Fiesta Ikon	1.6L L4 F/I		HP-2009
Crown Victoria	4.6L V8 F/I	33-2272	HP-2010	Fiesta V	1.25L L4 F/I	33-2853 ♦	
Custom Chassis	6.8L V10 F/I - Class A	33-2313		Fiesta V	1.3L L4 F/I	33-2853	
E150	4.6L V8 F/I	E-0945	HP-2010	Fiesta V	1.4L L4 DSL	33-2840 ♦	
E150	5.4L V8 F/I	E-0945	HP-2010	Fiesta V	1.4L L4 F/I	33-2853 ♦	
E250	4.6L V8 F/I	E-0945	HP-2010	Fiesta V	1.6L L4 DSL	33-2883	
E250	5.4L V8 F/I	E-0945	HP-2010	Fiesta V	1.6L L4 F/I	33-2853 ♦	
E350 Cutaway	5.4L V8 F/I - Class C	E-0945		Fiesta V	2.0L L4 F/I	33-2880 ♦	
E350 Cutaway	6.0L V8 DSL - Class C	33-2341		Five Hundred	3.0L V6 F/I	33-2308	HP-2010
E350 Cutaway	6.8L V10 F/I - Class C	E-0945		Focus	2.0L L4 F/I		HP-1002
E350 Super Duty	5.4L V8 F/I	E-0945	HP-2010	Focus	2.3L L4 F/I		HP-1002
E350 Super Duty	6.0L V8 DSL	33-2341	HP-7009	Focus C-Max	1.6L L4 DSL	33-2874	
E350 Super Duty	6.8L V10 F/I	E-0945 ♦	HP-2010	Focus C-Max	1.6L L4 F/I	33-2877	
E450 Cutaway	6.0L V8 DSL - Class C	33-2341		Focus C-Max	1.8L L4 DSL	33-2886	
E450 Cutaway	6.8L V10 F/I - Class C	E-0945		Focus C-Max	1.8L L4 F/I	33-2877 ♦	
E450 Super Duty	6.0L V8 DSL	33-2341	HP-7009	Focus C-Max	2.0L L4 DSL	33-2886	
E450 Super Duty	6.8L V10 F/I	E-0945 ♦	HP-2010	Focus C-Max	2.0L L4 F/I	33-2877 ♦	
Ecosport	2.0L L4 F/I		HP-1012	Focus II	1.4L L4 F/I	33-2877 ♦	
Escape	2.3L L4 F/I	33-2187		Focus II	1.6L L4 DSL	33-2874 ♦	
Escape	2.3L L4 F/I - Cartridge	33-2187	HP-7013	Focus II	1.6L L4 F/I	33-2877 ♦	
Escape	2.3L L4 F/I - Spin On	33-2187	HP-1002	Focus II	1.8L L4 DSL	33-2886	
Escape	3.0L V6 F/I	33-2187	HP-2010	Focus II	1.8L L4 F/I	33-2877 ♦	
Escape Hybrid	2.3L L4 F/I	33-2347	HP-7013	Focus II	2.0L L4 DSL	33-2886 ♦	
Expedition	5.4L V8 F/I	33-2287 ♦	HP-2010	Focus II	2.0L L4 F/I	33-2877 ♦	
Explorer	4.0L V6 F/I	33-2366	HP-2010	Focus II	2.5L L5 F/I	33-2873 ♦	
Explorer	4.6L V8 F/I	33-2353 ♦	HP-2010	Freestar	3.9L V6 F/I	33-2321	HP-2009
Explorer Sport Trac	4.0L V6 F/I	33-2366	HP-2010	Freestar	4.2L V6 F/I	33-2321	HP-2009
F150	4.2L V6 F/I	E-0945 ♦	HP-2009	Freestyle	3.0L V6 F/I	33-2308	HP-2010
F150	4.6L V8 F/I	E-0945 ♦		Fusion	1.25L L4 F/I	33-2853	
F150	4.6L V8 F/I - 22mm Thread	E-0945	HP-2010	Fusion	1.4L L4 DSL	33-2840	
F150	4.6L V8 F/I - 3/4 thread	E-0945	HP-2009	Fusion	1.4L L4 F/I	33-2853	
F150	5.4L V8 F/I	33-2287 ♦	HP-2010	Fusion	1.6L L4 DSL	33-2883	
F250 Custom Chassis	6.8L V10 F/I - Class A	33-2313		Fusion	1.6L L4 F/I	33-2853	
F250 Harley	6.0L V8 DSL	E-0780 ♦	HP-7009	Fusion	2.3L L4 F/I	33-2357 ♦	HP-7013
Davidson Super Duty				Fusion	3.0L V6 F/I	33-2340 ♦	HP-2010
F250 Super Duty	5.4L V8 F/I	33-2287 ♦	HP-2010	Galaxy	1.9L L4 DSL - to 6/06	33-2203	
F250 Super Duty	6.0L V8 DSL	E-0780 ♦	HP-7009	Galaxy	1.9L L4 F/I	33-2203	
F250 Super Duty	6.8L V10 F/I	33-2313 ♦	HP-2010	Galaxy	2.0L L4 F/I - to 6/06	33-2203	
F350	5.4L V8 F/I	33-2287 ♦	HP-2010	Galaxy	2.3L L4 F/I	33-2203 ♦	
F350 Cutaway	5.4L V8 F/I - Class C	33-2287		Galaxy	2.8L V6 F/I	33-2203	
F350 Cutaway	6.0L V8 DSL - Class C	E-0772 ♦		Galaxy II	1.8L L4 DSL	33-2393	
F350 Cutaway	6.8L V10 F/I - Class C	33-2313		Galaxy II	2.0L L4 DSL	33-2393	
F350 Harley	6.0L V8 DSL	E-0780 ♦	HP-7009	Galaxy II	2.0L L4 F/I	33-2393 ♦	
Davidson Super Duty				GT	5.4L V8 F/I	33-2317*	HP-7007
F350 Super Duty	5.4L V8 F/I	33-2287 ♦	HP-2010	Ka	1.0L L4 F/I	33-2024	
F350 Super Duty	6.0L V8 DSL	E-0780 ♦	HP-7009	Ka	1.3L L4 F/I	33-2862 ♦	
F350 Super Duty	6.8L V10 F/I	33-2313 ♦	HP-2010	Ka	1.6L L4 F/I	33-2862 ♦	HP-2009
F450	6.8L V10 F/I		HP-2010	LCF	4.5L V6 DSL - OEM 6E7Z9155BA		FF-4604
F450 Cutaway	6.0L V8 DSL - Class C	E-0772		Lobo	4.6L V8 F/I - 22mm Thread		HP-2010
F450 Cutaway	6.8L V10 F/I - Class C	33-2313		Lobo	4.6L V8 F/I - 3/4 thread		HP-2009
F450 Super Duty	6.0L V8 DSL	E-0780 ♦	HP-7009	Lobo	5.4L V8 F/I		HP-2010
F450 Super Duty	6.8L V10 F/I		HP-2010	Mondeo III	1.8L L4 F/I	33-2210 ♦	
F550 Cutaway	6.0L V8 DSL - Class C	E-0772		Mondeo III	2.0L L4 DSL	33-2210 ♦	
F550 Cutaway	6.8L V10 F/I - Class C	33-2313		Mondeo III	2.0L L4 F/I	33-2210 ♦	
F550 Super Duty	6.0L V8 DSL	E-0780 ♦	HP-7009	Mondeo III	2.2L L4 DSL	33-2210 ♦	
F550 Super Duty	6.8L V10 F/I		HP-2010	Mondeo III	2.5L V6 F/I	33-2210	
Fairmont	4.0L V6 F/I	33-2852	HP-3001	Mondeo III	3.0L V6 F/I	33-2210 ♦	
Fairmont	5.4L V8 F/I	33-2852	HP-2010	Mustang	4.0L V6 F/I	33-2298 ♦	HP-2010
Falcon	4.0L V6 F/I	33-2852		Mustang GT	4.6L V8 F/I	33-2298 ♦	HP-2010
Falcon	4.0L V6 F/I - DOHC	33-2852	HP-3001	Ranger	2.3L L4 F/I	33-2106-1	HP-1002

\*Indicates 2 filters required      ♦ - Intake kit available      Applications updated daily at [knfilters.com](http://knfilters.com) ®

**Partial Listing - Complete List of Vehicles and Applications at [knfilters.com](http://knfilters.com)**

# FORD

# AIR & OIL FILTERS

Vehicle	Engine Type	Air Filter	Oil Filter	Vehicle	Engine Type	Air Filter	Oil Filter
<b>2006 FORD</b>				<b>2005 FORD</b>			
Ranger	2.5L L4 DSL - from 7/06	E-2296		F250 Super Duty	6.0L V8 DSL	E-0780 ♦	HP-7009
Ranger	2.5L L4 DSL - to 6/06	33-2167		F250 Super Duty F350	6.8L V10 F/I	33-2313 ♦	HP-2010
Ranger	3.0L L6 DSL	E-2296		F350 Harley Davidson Super Duty	5.4L V8 F/I	33-2287 ♦	HP-2010
Ranger	3.0L V6 F/I	33-2106-1 ♦	HP-2009	F350 Harley Davidson Super Duty	6.0L V8 DSL	E-0780 ♦	HP-7009
Ranger	4.0L V6 F/I	33-2106-1 ♦	HP-2010	F350 Super Duty	6.8L V10 F/I		HP-2010
S-Max	1.8L L4 DSL	33-2393		F350 Super Duty	5.4L V8 F/I	33-2287 ♦	HP-2010
S-Max	2.0L L4 DSL	33-2393		F350 Super Duty	6.0L V8 DSL	E-0780 ♦	HP-7009
S-Max	2.0L L4 F/I	33-2393 ♦		F350 Super Duty	6.8L V10 F/I	33-2313 ♦	HP-2010
S-Max	2.5L L5 F/I	33-2873		F450	6.8L V10 F/I		HP-2010
Taurus	3.0L V6 F/I	33-2150	HP-2009	F450 Super Duty	6.0L V8 DSL	E-0780 ♦	HP-7009
Tourneo Connect	1.8L L4 DSL	33-2819		F450 Super Duty	6.8L V10 F/I		HP-2010
Tourneo Connect	1.8L L4 F/I	33-2819		F550 Super Duty	6.0L V8 DSL	E-0780 ♦	HP-7009
Transit	2.0L L4 DSL	33-2861		F550 Super Duty	6.8L V10 F/I		HP-2010
Transit	2.2L L4 DSL	33-2861		F650	6.0L V8 DSL - OEM FD4596		FF-4596
Transit	2.3L L4 F/I	33-2861		Fairmont	4.0L V6 F/I	33-2852	HP-3001
Transit	2.4L L4 DSL	33-2861		Fairmont	5.4L V8 F/I	33-2852	HP-2010
Transit Connect	1.8L L4 DSL	33-2819		Falcon	4.0L V6 F/I	33-2852	
Transit Connect	1.8L L4 F/I	33-2819		Falcon	4.0L V6 F/I - DOHC	33-2852	HP-3001
<b>2005 FORD</b>				Falcon	4.0L V6 F/I - SOHC	33-2852	HP-2010
Courier	1.6L L4 F/I		HP-2009	Falcon	5.4L V8 F/I		HP-2010
Crown Victoria	4.6L V8 F/I	33-2272	HP-2010	Falcon	5.4L V8 F/I - DOHC	E-0945	HP-2010
E150	4.6L V8 F/I	E-0945	HP-2010	Falcon	5.4L V8 F/I - SOHC	33-2852	HP-2010
E150	5.4L V8 F/I	E-0945	HP-2010	Fiesta	1.6L L4 F/I		HP-2009
E150 Club Wagon	4.6L V8 F/I	E-0945	HP-2010	Fiesta Ikon	1.6L L4 F/I		HP-2009
E150 Club Wagon	5.4L V8 F/I	E-0945	HP-2010	Fiesta V	1.25L L4 F/I	33-2853 ♦	
E250	4.6L V8 F/I	E-0945	HP-2010	Fiesta V	1.3L L4 F/I	33-2853	
E250	5.4L V8 F/I	E-0945	HP-2010	Fiesta V	1.4L L4 DSL	33-2840 ♦	
E250 Super Duty	5.4L V8 F/I	E-0945	HP-2010	Fiesta V	1.4L L4 F/I	33-2853 ♦	
E350 Club Wagon	5.4L V8 F/I	E-0945	HP-2010	Fiesta V	1.6L L4 DSL	33-2883	
E350 Club Wagon	6.0L V8 DSL	33-2341	HP-7009	Fiesta V	1.6L L4 F/I	33-2853 ♦	HP-1012
E350 Club Wagon	6.8L V10 F/I	E-0945 ♦	HP-2010	Fiesta V	2.0L L4 F/I	33-2880 ♦	
E350 Super Duty	5.4L V8 F/I	E-0945	HP-2010	Fiesta V	3.0L V6 F/I	33-2308	HP-2010
E350 Super Duty	6.0L V8 DSL	33-2341	HP-7009	Five Hundred	2.0L L4 F/I		HP-1002
E350 Super Duty	6.8L V10 F/I	E-0945 ♦	HP-2010	Focus	2.3L L4 F/I		HP-1002
E450 Super Duty	6.0L V8 DSL	33-2341	HP-7009	Focus C-Max	1.6L L4 DSL	33-2874	
E450 Super Duty	6.8L V10 F/I	E-0945 ♦	HP-2010	Focus C-Max	1.6L L4 F/I	33-2877	
Ecosport	2.0L L4 F/I		HP-1012	Focus C-Max	1.8L L4 DSL	33-2886	
Escape	2.3L L4 F/I	33-2187		Focus C-Max	1.8L L4 F/I	33-2877 ♦	
Escape	2.3L L4 F/I - Cartridge	33-2187	HP-7018	Focus C-Max	2.0L L4 DSL	33-2886	
Escape	2.3L L4 F/I - Spin On	33-2187	HP-1002	Focus C-Max	2.0L L4 F/I	33-2877 ♦	
Escape	3.0L V6 F/I	33-2187	HP-2010	Focus C-Max	2.0L L4 F/I	33-2877 ♦	
Escape Hybrid	2.3L L4 F/I	33-2347	HP-7013	Focus II	1.4L L4 F/I	33-2877 ♦	
Excursion	5.4L V8 F/I		HP-2010	Focus II	1.6L L4 DSL	33-2874 ♦	
Excursion	5.4L V8 F/I - w/Panel Filter	33-2287 ♦	HP-2010	Focus II	1.6L L4 F/I	33-2877 ♦	
Excursion	5.4L V8 F/I - w/Round Filter	E-0945 ♦	HP-2010	Focus II	1.8L L4 DSL	33-2886	
Excursion	6.0L V8 DSL	E-0780 ♦	HP-7009	Focus II	1.8L L4 F/I	33-2877 ♦	
Excursion	6.8L V10 F/I	E-0945 ♦	HP-2010	Focus II	2.0L L4 DSL	33-2886 ♦	
Expedition	5.4L V8 F/I	33-2287 ♦	HP-2010	Focus II	2.0L L4 F/I	33-2877 ♦	
Expedition	5.4L V8 F/I	33-2287 ♦	HP-2010	Focus II	2.5L L5 F/I	33-2873 ♦	
Explorer	4.0L V6 F/I	33-2207	HP-2010	Freestar	3.9L V6 F/I		HP-2009
Explorer	4.6L V8 F/I	33-2207 ♦	HP-2010	Freestar	4.2L V6 F/I	33-2321	HP-2009
Explorer Sport Trac	4.0L V6 F/I	33-2106-1	HP-2010	Freestyle	3.0L V6 F/I	33-2308	HP-2010
F150	4.2L V6 F/I	E-0945 ♦	HP-2009	Fusion	1.25L L4 F/I	33-2853	
F150	4.6L V8 F/I	E-0945 ♦		Fusion	1.4L L4 DSL	33-2840	
F150	4.6L V8 F/I - 22mm Thread	E-0945	HP-2010	Fusion	1.4L L4 F/I	33-2853	
F150	4.6L V8 F/I - 3/4 thread	E-0945	HP-2009	Fusion	1.6L L4 DSL	33-2883	
F150	5.4L V8 F/I	33-2287 ♦	HP-2010	Fusion	1.6L L4 F/I	33-2853	
F250 Harley Davidson Super Duty	6.0L V8 DSL	E-0780 ♦	HP-7009	Fusion	1.9L L4 DSL	33-2203	
F250 Harley Davidson Super Duty	6.8L V10 F/I		HP-2010	Galaxy	1.9L L4 F/I	33-2203	
F250 Super Duty	5.4L V8 F/I	33-2287 ♦	HP-2010	Galaxy	2.0L L4 F/I	33-2203	
				Galaxy	2.3L L4 F/I	33-2203	
				Galaxy	2.8L V6 F/I	33-2203	
				GT	5.4L V8 F/I	33-2317*	HP-7007

\*Indicates 2 filters required

♦ - Intake kit available

Applications updated daily at [knfilters.com](http://knfilters.com) ®

# AIR & OIL FILTERS

# FORD

Vehicle	Engine Type	Air Filter	Oil Filter	Vehicle	Engine Type	Air Filter	Oil Filter
<b>2005 FORD</b>				<b>2004 FORD</b>			
Ka	1.0L L4 F/I	33-2024		F150	4.6L V8 F/I	E-0945 ♦	
Ka	1.3L L4 F/I	33-2862 ♦		F150	4.6L V8 F/I - 22mm Thread	E-0945	HP-2010
Ka	1.6L L4 F/I	33-2862 ♦	HP-2009	F150	4.6L V8 F/I - 3/4 thread	E-0945	HP-2009
Lobo	4.6L V8 F/I - 22mm Thread		HP-2010	F150	5.4L V8 F/I	33-2287 ♦	HP-2010
Lobo	4.6L V8 F/I - 3/4 thread		HP-2009	F150 Heritage	4.2L V6 F/I	E-0945 ♦	HP-2009
Lobo	5.4L V8 F/I		HP-2010	F150 Heritage	4.6L V8 F/I	E-0945 ♦	HP-2010
Maverick	3.0L L4 F/I	33-2187		F150 Heritage	5.4L V8 F/I	E-0945	HP-2010
Mondeo III	1.8L L4 F/I	33-2210 ♦		F150 Lightning	5.4L V8 F/I	33-2140-1 ♦	HP-2010
Mondeo III	2.0L L4 DSL	33-2210 ♦		F250 Harley	6.0L V8 DSL	E-0780 ♦	HP-7009
Mondeo III	2.0L L4 F/I	33-2210 ♦		Davidson Super Duty			
Mondeo III	2.2L L4 DSL	33-2210 ♦		F250 Harley	6.8L V10 F/I		HP-2010
Mondeo III	2.5L V6 F/I	33-2210 ♦	HP-2010	Davidson Super Duty			
Mondeo III	3.0L V6 F/I	33-2210 ♦		F250 Super Duty	5.4L V8 F/I	E-0945 ♦	HP-2010
Mustang	4.0L V6 F/I	33-2298 ♦	HP-2010	F250 Super Duty	6.0L V8 DSL	E-0780 ♦	HP-7009
Mustang GT	4.6L V8 F/I	33-2298 ♦	HP-2010	F250 Super Duty	6.8L V10 F/I	E-0945 ♦	HP-2010
Ranger	2.3L L4 F/I	33-2106-1	HP-2009	F350	5.4L V8 F/I	E-0945 ♦	HP-2010
Ranger	2.5L L4 DSL	33-2167		F350 Harley	6.0L V8 DSL	E-0780	HP-7009
Ranger	3.0L V6 F/I	33-2106-1 ♦	HP-2009	Davidson Super Duty			
Ranger	4.0L V6 F/I	33-2106-1 ♦	HP-2010	F350 Harley	6.8L V10 F/I		HP-2010
Street KA	1.6L L4 F/I	33-2862 ♦		Davidson Super Duty			
Taurus	3.0L V6 F/I	33-2150		F350 Super Duty	5.4L V8 F/I	E-0945 ♦	HP-2010
Taurus	3.0L V6 F/I - DOHC	33-2150	HP-2010	F350 Super Duty	6.0L V8 DSL	E-0780 ♦	HP-7009
Taurus	3.0L V6 F/I - OHV	33-2150	HP-2009	F350 Super Duty	6.8L V10 F/I	E-0945 ♦	HP-2010
Thunderbird	3.9L V8 F/I	33-2266 ♦	HP-1014	F450	6.8L V10 F/I	E-0945	HP-2010
Tourneo Connect	1.8L L4 DSL	33-2819		F450 Super Duty	6.0L V8 DSL	E-0780 ♦	HP-7009
Tourneo Connect	1.8L L4 F/I	33-2819		F450 Super Duty	6.8L V10 F/I	E-0945	HP-2010
Transit	2.0L L4 DSL	33-2861		F550 Super Duty	6.0L V8 DSL	E-0780 ♦	HP-7009
Transit	2.3L L4 F/I	33-2861		F550 Super Duty	6.8L V10 F/I	E-0945	HP-2010
Transit	2.4L L4 DSL	33-2861		F650	6.0L V8 DSL - OEM FD4596		FF-4596
Transit Connect	1.8L L4 DSL	33-2819		Fairmont	4.0L V6 F/I	33-2852	HP-3001
Transit Connect	1.8L L4 F/I	33-2819		Fairmont	5.4L V8 F/I	33-2852	HP-2010
<b>2004 FORD</b>				Falcon	4.0L V6 F/I	33-2852	
Courier	1.6L L4 F/I		HP-2009	Falcon	4.0L V6 F/I - DOHC	33-2852	HP-3001
Crown Victoria	4.6L V8 F/I	33-2272	HP-2010	Falcon	4.0L V6 F/I - SOHC	33-2852	HP-2010
E150	4.6L V8 F/I	E-0945	HP-2010	Falcon	5.4L V8 F/I		HP-2010
E150	5.4L V8 F/I	E-0945	HP-2010	Falcon	5.4L V8 F/I - DOHC	E-0945	HP-2010
E150 Club Wagon	4.6L V8 F/I	E-0945	HP-2010	Falcon	5.4L V8 F/I - SOHC	33-2852	HP-2010
E150 Club Wagon	5.4L V8 F/I	E-0945	HP-2010	Fiesta	1.6L L4 F/I		HP-2009
E250	4.6L V8 F/I	E-0945	HP-2010	Fiesta Ikon	1.6L L4 F/I		HP-2009
E250	5.4L V8 F/I	E-0945	HP-2010	Fiesta V	1.25L L4 F/I	33-2853 ♦	
E250 Super Duty	5.4L V8 F/I	E-0945	HP-2010	Fiesta V	1.3L L4 F/I	33-2853	
E350 Club Wagon	5.4L V8 F/I	E-0945	HP-2010	Fiesta V	1.4L L4 DSL	33-2840 ♦	
E350 Club Wagon	6.0L V8 DSL	33-2341	HP-7009	Fiesta V	1.4L L4 F/I	33-2853 ♦	
E350 Super Duty	5.4L V8 F/I	E-0945	HP-2010	Fiesta V	1.6L L4 F/I	33-2853 ♦	HP-1012
E350 Super Duty	6.0L V8 DSL	33-2341	HP-7009	Focus	1.4L L4 F/I	33-2819 ♦	
E350 Super Duty	6.8L V10 F/I	E-0945 ♦	HP-2010	Focus	1.6L L4 F/I	33-2819 ♦	
E450 Motorhome	6.8L V10 F/I - Class C	E-0945 ♦		Focus	1.8L L4 DSL	33-2819 ♦	
E450 Super Duty	5.4L V8 F/I	E-0945	HP-2010	Focus	1.8L L4 F/I	33-2819 ♦	
E450 Super Duty	6.0L V8 DSL	33-2341	HP-7009	Focus	2.0L L4 F/I - DOHC		HP-1012
E450 Super Duty	6.8L V10 F/I	E-0945 ♦	HP-2010	Focus	2.0L L4 F/I - Non-US	33-2819 ♦	
E550 Motorhome	6.8L V10 F/I - Class C	E-0945 ♦		Focus	2.0L L4 F/I - SOHC		HP-2009
Ecosport	2.0L L4 F/I		HP-1012	Focus	2.3L L4 F/I		HP-1002
Escape	2.0L L4 F/I	33-2187	HP-1012	Focus C-Max	1.6L L4 DSL	33-2874	
Escape	3.0L V6 F/I	33-2187	HP-2010	Focus C-Max	1.6L L4 F/I	33-2877	
Excursion	5.4L V8 F/I	E-0945 ♦	HP-2010	Focus C-Max	1.8L L4 DSL	33-2886	
Excursion	6.0L V8 DSL	E-0780 ♦	HP-7009	Focus C-Max	1.8L L4 F/I	33-2877 ♦	
Excursion	6.8L V10 F/I	E-0945 ♦	HP-2010	Focus C-Max	2.0L L4 DSL	33-2886	
Expedition	4.6L V8 F/I	E-0945 ♦	HP-2010	Focus C-Max	2.0L L4 F/I	33-2877 ♦	
Expedition	5.4L V8 F/I	E-0945 ♦	HP-2010	Focus II	1.4L L4 F/I	33-2877 ♦	
Explorer	4.0L V6 F/I	33-2207	HP-2010	Focus II	1.6L L4 DSL	33-2874 ♦	
Explorer	4.6L V8 F/I	33-2207 ♦	HP-2010	Focus II	1.6L L4 F/I	33-2877 ♦	
Explorer Sport	4.0L V6 F/I	33-2106-1	HP-2010	Focus II	1.8L L4 F/I	33-2877 ♦	
Explorer Sport Trac	4.0L V6 F/I	33-2106-1 ♦	HP-2010	Focus II	2.0L L4 DSL	33-2886 ♦	
				Focus II	2.0L L4 F/I	33-2877 ♦	

\*Indicates 2 filters required      ♦ - Intake kit available      Applications updated daily at [knfilters.com](http://knfilters.com) ®

**Partial Listing - Complete List of Vehicles and Applications at [knfilters.com](http://knfilters.com)**

# FORD

# AIR & OIL FILTERS

Vehicle	Engine Type	Air Filter	Oil Filter	Vehicle	Engine Type	Air Filter	Oil Filter
<b>2004 FORD</b>				<b>2003 FORD</b>			
Focus RS	2.0L L4 F/I	33-2266 ♦		E350 Club Wagon	6.8L V10 F/I	E-0945 ♦	HP-2010
Focus ST170	2.0L L4 F/I	33-2819 ♦		E350 Club Wagon	7.3L V8 DSL	33-2127*	HP-6001
Focus SVT	2.0L L4 F/I	33-2819 ♦	HP-1012	E450 Motorhome	6.8L V10 F/I - Class C	E-0945 ♦	
Freestar	3.9L V6 F/I		HP-2009	E450 Super Duty	5.4L V8 F/I	E-0945	HP-2010
Freestar	4.2L V6 F/I		HP-2009	E450 Super Duty	6.8L V10 F/I	E-0945 ♦	HP-2010
Fusion	1.25L L4 F/I	33-2853		E450 Super Duty	7.3L V8 DSL	33-2127*	HP-6001
Fusion	1.4L L4 DSL	33-2840		E450 Super Duty	5.4L V8 F/I	E-0945	HP-2010
Fusion	1.4L L4 F/I	33-2853		Stripped Chassis			
Fusion	1.6L L4 DSL	33-2883		E450 Super Duty	6.8L V10 F/I	E-0945 ♦	HP-2010
Fusion	1.6L L4 F/I	33-2853		Stripped Chassis			
Galaxy	1.9L L4 DSL	33-2203		E450 Super Duty	7.3L V8 DSL	33-2127*	HP-6001
Galaxy	2.0L L4 F/I	33-2203		Stripped Chassis			
Galaxy	2.3L L4 F/I	33-2203		E550 Motorhome	6.8L V10 F/I - Class C	E-0945 ♦	
Galaxy	2.8L V6 F/I	33-2203		E550 Super Duty	6.8L V10 F/I	E-0945 ♦	HP-2010
Ka	1.0L L4 F/I	33-2024		E550 Super Duty	7.3L V8 DSL	33-2127*	HP-6001
Ka	1.3L L4 F/I	33-2862 ♦		Escape	2.0L L4 F/I	33-2187	HP-1012
Ka	1.6L L4 F/I	33-2862 ♦	HP-2009	Escape	3.0L V6 F/I	33-2187	HP-2010
Lobo	5.4L V8 F/I		HP-2010	Escort ZX2	2.0L L4 F/I	E-0995 ♦	HP-1012
Maverick	2.3L L4 F/I	33-2187		Excursion	5.4L V8 F/I	E-0945 ♦	HP-2010
Maverick	3.0L L4 F/I	33-2187		Excursion	6.0L V8 DSL	E-0780 ♦	HP-7009
Mondeo III	1.8L L4 F/I	33-2210 ♦		Excursion	6.8L V10 F/I	E-0945 ♦	HP-2010
Mondeo III	2.0L L4 DSL	33-2210 ♦		Excursion	7.3L V8 DSL	33-2248 ♦	HP-6001
Mondeo III	2.0L L4 F/I	33-2210 ♦		Expedition	4.6L V8 F/I	E-0945 ♦	HP-2010
Mondeo III	2.2L L4 DSL	33-2210 ♦		Expedition	5.4L V8 F/I	E-0945 ♦	HP-2010
Mondeo III	2.5L V6 F/I	33-2210 ♦	HP-2010	Explorer	4.0L V6 F/I	33-2207 ♦	HP-2010
Mondeo III	3.0L V6 F/I	33-2210 ♦		Explorer	4.6L V8 F/I	33-2207 ♦	HP-2010
Motorhome	5.4L V8 F/I - Class C	E-0945		Explorer Sport	4.0L V6 F/I	33-2106-1 ♦	HP-2010
Mustang	3.8L V6 F/I	E-0940 ♦	HP-2009	Explorer Sport Trac	4.0L V6 F/I	33-2106-1 ♦	HP-2010
Mustang	3.9L V6 F/I	E-0940	HP-2009	F150	4.2L V6 F/I	E-0945 ♦	HP-2009
Mustang GT	4.6L V8 F/I	E-0945 ♦	HP-2010	F150	4.6L V8 F/I	E-0945 ♦	HP-2010
Mustang Mach 1	4.6L V8 F/I	E-0945 ♦	HP-2010	F150	5.4L V8 F/I	E-0945 ♦	HP-2010
Mustang SVT Cobra	4.6L V8 F/I	E-0945 ♦	HP-2010	F150 Harley	5.4L V8 F/I	33-2140-1 ♦	HP-2010
Ranger	2.3L L4 F/I	33-2106-1	HP-2009	Davidson			
Ranger	2.5L L4 DSL	33-2167		F150 Lightning	5.4L V8 F/I	33-2140-1 ♦	HP-2010
Ranger	3.0L V6 F/I	33-2106-1 ♦	HP-2009	F250 Super Duty	5.4L V8 F/I	E-0945 ♦	HP-2010
Ranger	4.0L V6 F/I	33-2106-1 ♦	HP-2010	F250 Super Duty	6.0L V8 DSL	E-0780 ♦	HP-7009
Street KA	1.6L L4 F/I	33-2862 ♦		F250 Super Duty	6.8L V10 F/I	E-0945 ♦	HP-2010
Taurus	3.0L V6 F/I - DOHC	33-2150	HP-2010	F250 Super Duty	7.3L V8 DSL	33-2248 ♦	HP-6001
Taurus	3.0L V6 F/I - OHV	33-2150	HP-2009	F350 Super Duty	5.4L V8 F/I	E-0945 ♦	HP-2010
Thunderbird	3.9L V8 F/I	33-2266 ♦	HP-1014	F350 Super Duty	6.0L V8 DSL	E-0780 ♦	HP-7009
Tourneo Connect	1.8L L4 DSL	33-2819		F350 Super Duty	6.8L V10 F/I	E-0945 ♦	HP-2010
Tourneo Connect	1.8L L4 F/I	33-2819		F350 Super Duty	7.3L V8 DSL	33-2248 ♦	HP-6001
Transit	2.0L L4 DSL	33-2861		F450	6.8L V10 F/I	E-0945	HP-2010
Transit	2.3L L4 F/I	33-2861		F450 Super Duty	6.0L V8 DSL	E-0780 ♦	HP-7009
Transit	2.4L L4 DSL	33-2861		F450 Super Duty	6.8L V10 F/I	E-0945	HP-2010
Transit Connect	1.8L L4 DSL	33-2819		F450 Super Duty	7.3L V8 DSL	33-2248	HP-6001
Transit Connect	1.8L L4 F/I	33-2819		F550 Super Duty	6.0L V8 DSL	E-0780 ♦	HP-7009
				F550 Super Duty	6.8L V10 F/I	E-0945	HP-2010
				F550 Super Duty	7.3L V8 DSL	33-2248	HP-6001
<b>2003 FORD</b>							
Courier	1.6L L4 F/I		HP-2009	Fairmont	4.0L V6 F/I	33-2852	HP-3001
Crown Victoria	4.6L V8 F/I	33-2272 ♦	HP-2010	Fairmont	5.4L V8 F/I	33-2852	HP-2010
E150	4.2L V6 F/I	E-0945	HP-2009	Falcon	4.0L V6 F/I	33-2852	
E150	4.6L V8 F/I	E-0945	HP-2010	Falcon	4.0L V6 F/I - DOHC	33-2852	HP-3001
E150	5.4L V8 F/I	E-0945	HP-2010	Falcon	4.0L V6 F/I - SOHC	33-2852	HP-2010
E150 Club Wagon	4.2L V6 F/I	E-0945	HP-2009	Falcon	5.4L V8 F/I		HP-2010
E150 Club Wagon	4.6L V8 F/I	E-0945	HP-2010	Falcon	5.4L V8 F/I - DOHC	E-0945	HP-2010
E150 Club Wagon	5.4L V8 F/I	E-0945	HP-2010	Falcon	5.4L V8 F/I - SOHC	33-2852	HP-2010
E250	4.2L V6 F/I	E-0945	HP-2009	Fiesta	1.6L L4 F/I		HP-2009
E250	4.6L V8 F/I	E-0945	HP-2010	Fiesta Ikon	1.6L L4 F/I		HP-2009
E250	5.4L V8 F/I	E-0945	HP-2010	Fiesta V	1.25L L4 F/I	33-2853 ♦	
E350	5.4L V8 F/I	E-0945	HP-2010	Fiesta V	1.3L L4 F/I	33-2853 ♦	
E350	6.8L V10 F/I	E-0945 ♦	HP-2010	Fiesta V	1.4L L4 DSL	33-2840 ♦	
E350	7.3L V8 DSL	33-2127*	HP-6001	Fiesta V	1.4L L4 F/I	33-2853 ♦	
E350 Club Wagon	5.4L V8 F/I	E-0945	HP-2010	Fiesta V	1.6L L4 F/I	33-2853 ♦	HP-1012
				Focus	1.4L L4 F/I	33-2819 ♦	

\*Indicates 2 filters required

♦ - Intake kit available

Applications updated daily at [knfilters.com](http://knfilters.com) ®



# AIR & OIL FILTERS

# FORD

Vehicle	Engine Type	Air Filter	Oil Filter	Vehicle	Engine Type	Air Filter	Oil Filter
<b>2003 FORD</b>				<b>2002 FORD</b>			
Focus	1.6L L4 F/I	33-2819 ♦		E150 Econoline Club Wagon	4.2L V6 F/I	E-0945	HP-2009
Focus	1.8L L4 DSL	33-2819 ♦		E150 Econoline Club Wagon	4.6L V8 F/I	E-0945	HP-2010
Focus	1.8L L4 F/I	33-2819 ♦		E150 Econoline Club Wagon	5.4L V8 F/I	E-0945	HP-2010
Focus	2.0L L4 F/I	33-2819		E250 Econoline	4.2L V6 F/I	E-0945	HP-2009
		33-2819 ♦		E250 Econoline	5.4L V8 F/I	E-0945	HP-2010
		33-2819 ♦		E350 Econoline	5.4L V8 F/I	E-0945	HP-2010
Focus	2.0L L4 F/I - DOHC	33-2819	HP-1012	E350 Econoline	6.8L V10 F/I	E-0945 ♦	HP-2010
Focus	2.0L L4 F/I - SOHC	33-2819	HP-2009	E350 Econoline	7.3L V8 DSL	33-2127*	HP-6001
Focus	2.3L L4 F/I		HP-1002	E350 Econoline Club Wagon	5.4L V8 F/I	E-0945	HP-2010
Focus C-Max	1.6L L4 DSL	33-2874		E350 Econoline Club Wagon	6.8L V10 F/I	E-0945 ♦	HP-2010
Focus C-Max	1.6L L4 F/I	33-2877		E350 Econoline Club Wagon	7.3L V8 DSL	33-2127*	HP-6001
Focus C-Max	1.8L L4 DSL	33-2886		E350 Econoline Club Wagon	5.4L V8 F/I	E-0945	HP-2010
Focus C-Max	1.8L L4 F/I	33-2877 ♦		E350 Econoline Club Wagon	6.8L V10 F/I	E-0945 ♦	HP-2010
Focus RS	2.0L L4 F/I	33-2266 ♦		E350 Econoline Club Wagon	7.3L V8 DSL	33-2127*	HP-6001
Focus ST170	2.0L L4 F/I	33-2819 ♦		E350 Econoline Club Wagon	7.3L V8 DSL	33-2127*	HP-6001
Focus SVT	2.0L L4 F/I	33-2819 ♦	HP-1012	E450 Econoline Super Duty	5.4L V8 F/I	E-0945	HP-2010
Fusion	1.4L L4 DSL	33-2840		E450 Econoline Super Duty	6.8L V10 F/I	E-0945 ♦	HP-2010
Fusion	1.4L L4 F/I	33-2853		E450 Econoline Super Duty	7.3L V8 DSL	33-2127*	HP-6001
Fusion	1.6L L4 F/I	33-2853		E450 Econoline Super Duty Stripped	5.4L V8 F/I	E-0945	HP-2010
Galaxy	1.9L L4 DSL	33-2203		E450 Econoline Super Duty Stripped	6.8L V10 F/I	E-0945 ♦	HP-2010
Galaxy	2.0L L4 F/I	33-2203		E450 Econoline Super Duty Stripped	7.3L V8 DSL	33-2127*	HP-6001
Galaxy	2.3L L4 F/I	33-2203		E450 Econoline Super Duty Stripped	5.4L V8 F/I	E-0945	HP-2010
Galaxy	2.8L V6 F/I	33-2203		E450 Econoline Super Duty Stripped	6.8L V10 F/I	E-0945 ♦	HP-2010
Ka	1.0L L4 F/I	33-2024		E450 Econoline Super Duty Stripped	7.3L V8 DSL	33-2127*	HP-6001
Ka	1.3L L4 F/I	33-2862 ♦		E450 Econoline Super Duty Stripped	6.8L V10 F/I - Class C	E-0945 ♦	
Ka	1.6L L4 F/I	33-2862 ♦	HP-2009	E450 Econoline Super Duty Stripped	6.8L V10 F/I	E-0945 ♦	HP-2010
Lobo	4.6L V8 F/I		HP-2010	E550 Econoline Super Duty	7.3L V8 DSL	33-2127*	HP-6001
Lobo	5.4L V8 F/I		HP-2010	E550 Econoline Super Duty	6.8L V10 F/I - Class C	E-0945 ♦	
Maverick	3.0L L4 F/I	33-2187		E550 Econoline Super Duty	7.3L V8 DSL	33-2127*	HP-6001
Mondeo III	1.8L L4 F/I	33-2210 ♦		E550 Econoline Super Duty	6.8L V10 F/I - Class C	E-0945 ♦	
Mondeo III	2.0L L4 DSL	33-2210 ♦		Escape	2.0L L4 F/I	33-2187	HP-1012
Mondeo III	2.0L L4 F/I	33-2210 ♦		Escape	3.0L V6 F/I	33-2187	HP-2010
Mondeo III	2.5L V6 F/I	33-2210 ♦	HP-2010	Escort	2.0L L4 F/I	E-0995	HP-2009
Mondeo III	3.0L V6 F/I	33-2210 ♦		Escort ZX2	2.0L L4 F/I	E-0995 ♦	HP-1012
Motorhome	5.4L V8 F/I - Class C	E-0945		Excursion	5.4L V8 F/I	E-0945 ♦	HP-2010
Mustang	3.8L V6 F/I	E-0940 ♦	HP-2009	Excursion	6.8L V10 F/I	E-0945 ♦	HP-2010
Mustang GT	4.6L V8 F/I	E-0945 ♦	HP-2010	Excursion	7.3L V8 DSL	33-2248 ♦	HP-6001
Mustang Mach 1	4.6L V8 F/I	E-0945 ♦	HP-2010	Expedition	4.6L V8 F/I	E-0945 ♦	HP-2010
Mustang SVT Cobra	4.6L V8 F/I	E-0945 ♦	HP-2010	Expedition	5.4L V8 F/I	E-0945 ♦	HP-2010
Puma	1.7L L4 F/I	33-2804 ♦		Explorer	4.0L V6 F/I	33-2207 ♦	HP-2010
Ranger	2.3L L4 F/I	33-2106-1 ♦	HP-2009	Explorer	4.6L V8 F/I	33-2207 ♦	HP-2010
Ranger	2.5L L4 DSL	33-2167		Explorer Sport	4.0L V6 F/I	33-2106-1 ♦	HP-2010
Ranger	3.0L V6 F/I	33-2106-1 ♦	HP-2009	Explorer Sport Trac	4.0L V6 F/I	33-2106-1 ♦	HP-2010
Ranger	4.0L V6 F/I	33-2106-1 ♦	HP-2010	F150	4.2L V6 F/I	E-0945 ♦	HP-2009
Street KA	1.6L L4 F/I	33-2862 ♦		F150	4.6L V8 F/I	E-0945 ♦	HP-2010
Taurus	3.0L V6 F/I - DOHC	33-2150	HP-2010	F150	5.4L V8 F/I	E-0945 ♦	HP-2010
Taurus	3.0L V6 F/I - OHV	33-2150	HP-2009	F150 Harley Davidson	5.4L V8 F/I	33-2140-1 ♦	HP-2010
Thunderbird	3.9L V8 F/I	33-2266 ♦	HP-1014	F150 Lightning	5.4L V8 F/I	E-0945 ♦	HP-2010
Tourneo Connect	1.8L L4 DSL	33-2819		F250 Super Duty	5.4L V8 F/I	E-0945 ♦	HP-2010
Tourneo Connect	1.8L L4 F/I	33-2819		F250 Super Duty	6.8L V10 F/I	E-0945 ♦	HP-2010
Transit	2.0L L4 DSL	33-2861		F250 Super Duty	7.3L V8 DSL	33-2248 ♦	HP-6001
Transit	2.3L L4 F/I	33-2861		F350 Super Duty	5.4L V8 F/I	E-0945 ♦	HP-2010
Transit	2.4L L4 DSL	33-2861		F350 Super Duty	6.8L V10 F/I	E-0945 ♦	HP-2010
Transit Connect	1.8L L4 DSL	33-2819		F350 Super Duty	7.3L V8 DSL	33-2248 ♦	HP-6001
Transit Connect	1.8L L4 F/I	33-2819		F450	6.8L V10 F/I	E-0945	HP-2010
Windstar	3.8L V6 F/I	E-0995	HP-2009	F450 Super Duty	6.8L V10 F/I	E-0945	HP-2010
<b>2002 FORD</b>				<b>2002 FORD</b>			
Courier	1.6L L4 F/I		HP-2009	F450 Super Duty	7.3L V8 DSL	33-2248	HP-6001
Crown Victoria	4.6L V8 F/I	33-2272 ♦	HP-2010	F550 Super Duty	6.8L V10 F/I	E-0945	HP-2010
E150 Econoline	4.2L V6 F/I	E-0945	HP-2009	F550 Super Duty	7.3L V8 DSL	33-2248	HP-6001
E150 Econoline	4.6L V8 F/I	E-0945	HP-2010	Fairmont	4.0L V6 F/I		HP-3001
E150 Econoline	5.4L V8 F/I	E-0945	HP-2010	Fairmont	4.0L V6 F/I - exc. Turbo	33-2015	HP-3001

\*Indicates 2 filters required

♦ - Intake kit available

Applications updated daily at [knfilters.com](http://knfilters.com) ®

Partial Listing - Complete List of Vehicles and Applications at [knfilters.com](http://knfilters.com)

# FORD

# AIR & OIL FILTERS

Vehicle	Engine Type	Air Filter	Oil Filter	Vehicle	Engine Type	Air Filter	Oil Filter
<b>2002 FORD</b>				<b>2002 FORD</b>			
Fairmont	4.0L V6 F/I - Turbo	33-2852	HP-3001	Mondeo III	2.0L L4 DSL	33-2210 ♦	
Fairmont	5.0L V8 F/I	33-2015	HP-3001	Mondeo III	2.0L L4 F/I	33-2210 ♦	
Fairmont	5.4L V8 F/I	33-2852	HP-3001	Mondeo III	2.5L V6 F/I	33-2210 ♦	HP-2010
Falcon	4.0L V6 F/I - DOHC		HP-3001	Mondeo III	3.0L V6 F/I	33-2210 ♦	
Falcon	4.0L V6 F/I - from 10/02	33-2852		Motorhome	5.4L V8 F/I - Class C	E-0945	
Falcon	4.0L V6 F/I - SOHC		HP-2010	Mustang	3.8L V6 F/I	E-0940 ♦	HP-2009
Falcon	4.0L V6 F/I - to 9/02	33-2015		Mustang GT	4.6L V8 F/I	E-0945 ♦	HP-2010
Falcon	5.0L V8 F/I	33-2015		Puma	1.7L L4 F/I	33-2804 ♦	
Falcon	5.0L V8 F/I - w/ oil cooler	33-2015	HP-1009	Ranger	2.3L L4 F/I	33-2106-1 ♦	HP-2009
Falcon	5.0L V8 F/I - w/o oil cooler	33-2015	HP-3001	Ranger	2.5L L4 DSL	33-2167	
Falcon	5.4L V8 F/I		HP-2010	Ranger	3.0L V6 F/I	33-2106-1 ♦	HP-2009
Falcon	5.4L V8 F/I - DOHC	E-0945	HP-2010	Ranger	4.0L V6 F/I	33-2106-1 ♦	HP-2010
Falcon	5.4L V8 F/I - SOHC	33-2852	HP-2010	Taurus	3.0L V6 F/I - DOHC	33-2150	HP-2010
Falcon	5.6L V8 F/I	E-0945	HP-1009	Taurus	3.0L V6 F/I - OHV	33-2150	HP-2009
Fiesta	1.3L L4 F/I - Oval Filter	E-9090 ♦		Thunderbird	3.9L V8 F/I	33-2266	HP-1014
Fiesta	1.3L L4 F/I - Panel Filter	33-2804 ♦		Tourneo Connect	1.8L L4 DSL	33-2819	
Fiesta Ikon	1.6L L4 F/I		HP-2009	Tourneo Connect	1.8L L4 F/I	33-2819	
Fiesta IV	1.3L L4 F/I		HP-1002	Transit	2.0L L4 DSL	33-2861	
Fiesta IV	1.3L L4 F/I - w/Oval Filter	E-9090 ♦	HP-1002	Transit	2.3L L4 F/I	33-2861	
Fiesta IV	1.3L L4 F/I - w/Panel Filter	33-2804 ♦	HP-1002	Transit	2.4L L4 DSL	33-2861	
Fiesta IV	1.4L L4 F/I		HP-1002	Transit Connect	1.8L L4 DSL	33-2819	
Fiesta IV	1.4L L4 F/I - w/Oval Filter	E-9090	HP-1002	Transit Connect	1.8L L4 F/I	33-2819	
Fiesta IV	1.4L L4 F/I - w/Panel Filter	33-2804	HP-1002	Windstar	3.8L V6 F/I	E-0995	HP-2009
Fiesta IV	1.6L L4 F/I	33-2804 ♦		<b>2001 FORD</b>			
Fiesta IV	1.8L L4 DSL - 60/75BHP	33-2804		Cougar	2.0L L4 F/I	33-2132	
Fiesta IV	1.8L L4 DSL - 90BHP	33-2735		Cougar	2.5L V6 F/I	33-2115-1 ♦	
Fiesta V	1.25L L4 F/I	33-2853 ♦		Courier	1.6L L4 F/I		HP-2009
Fiesta V	1.3L L4 F/I	33-2853 ♦	HP-1002	Crown Victoria	4.6L V8 F/I	33-2272 ♦	HP-2010
Fiesta V	1.4L L4 DSL	33-2840 ♦		E150 Econoline	4.2L V6 F/I	E-0945	HP-2009
Fiesta V	1.4L L4 F/I	33-2853 ♦	HP-1002	E150 Econoline	4.6L V8 F/I	E-0945	HP-2010
Fiesta V	1.6L L4 F/I	33-2853 ♦		E150 Econoline	5.4L V8 F/I	E-0945	HP-2010
Focus	1.4L L4 F/I	33-2819 ♦		E150 Econoline Club Wagon	4.2L V6 F/I	E-0945	HP-2009
Focus	1.6L L4 F/I	33-2819 ♦		E150 Econoline Club Wagon	4.6L V8 F/I	E-0945	HP-2010
Focus	1.8L L4 DSL	33-2819 ♦		E150 Econoline Club Wagon	5.4L V8 F/I	E-0945	HP-2010
Focus	1.8L L4 F/I	33-2819 ♦		E250 Econoline	4.2L V6 F/I	E-0945	HP-2009
Focus	2.0L L4 F/I	33-2819		E250 Econoline	5.4L V8 F/I	E-0945	HP-2010
		33-2819 ♦		E350 Econoline	5.4L V8 F/I	E-0945	HP-2010
		33-2819 ♦		E350 Econoline	6.8L V10 F/I	E-0945 ♦	HP-2010
Focus	2.0L L4 F/I - DOHC	33-2819	HP-1012	E350 Econoline	7.3L V8 DSL	33-2127*	HP-6001
Focus	2.0L L4 F/I - SOHC	33-2819	HP-2009	E350 Econoline Club Wagon	5.4L V8 F/I	E-0945	HP-2010
Focus RS	2.0L L4 F/I	33-2266 ♦		E350 Econoline Club Wagon	6.8L V10 F/I	E-0945 ♦	HP-2010
Focus ST170	2.0L L4 F/I	33-2819 ♦		E350 Econoline Club Wagon	7.3L V8 DSL	33-2127*	HP-6001
Focus SVT	2.0L L4 F/I	33-2819 ♦	HP-1012	E450 Econoline Super Duty	5.4L V8 F/I	E-0945	HP-2010
Fusion	1.4L L4 DSL	33-2840		E450 Econoline Super Duty	6.8L V10 F/I	E-0945 ♦	HP-2010
Fusion	1.4L L4 F/I - from 8/02	33-2853		E450 Econoline Super Duty	7.3L V8 DSL	33-2127*	HP-6001
Fusion	1.6L L4 F/I - from 8/02	33-2853		E450 Econoline Super Duty Stripped	5.4L V8 F/I	E-0945	HP-2010
Galaxy	1.9L L4 DSL	33-2203		E450 Econoline Super Duty Stripped	6.8L V10 F/I	E-0945 ♦	HP-2010
Galaxy	2.0L L4 F/I	33-2203		E450 Econoline Super Duty Stripped	7.3L V8 DSL	33-2127*	HP-6001
Galaxy	2.3L L4 F/I	33-2203		E450 Motorhome	6.8L V10 F/I - Class C	E-0945 ♦	
Galaxy	2.8L V6 F/I	33-2203		E550 Motorhome	6.8L V10 F/I - Class C	E-0945 ♦	
Ka	1.0L L4 F/I	33-2024		Escape	2.0L L4 F/I	33-2187	HP-1012
Ka	1.3L L4 F/I - 70BHP	33-2862 ♦		Escape	3.0L V6 F/I	33-2187	HP-2010
Ka	1.3L L4 F/I - Exc., 70BHP	33-2024 ♦		Escort	2.0L L4 F/I	E-0995	HP-2009
Ka	1.6L L4 F/I		HP-2009	Escort ZX2	2.0L L4 F/I	E-0995 ♦	HP-1012
Lobo	4.6L V8 F/I		HP-2010				
Lobo	5.4L V8 F/I		HP-2010				
Maverick	3.0L L4 F/I	33-2187					
Mondeo III	1.8L L4 F/I	33-2210 ♦					

\*Indicates 2 filters required

♦ - Intake kit available

Applications updated daily at [knfilters.com](http://knfilters.com) ®

# AIR & OIL FILTERS

# FORD

Vehicle	Engine Type	Air Filter	Oil Filter	Vehicle	Engine Type	Air Filter	Oil Filter
<b>2001 FORD</b>				<b>2001 FORD</b>			
Excursion	5.4L V8 F/I	E-0945 ♦	HP-2010	Focus	2.0L L4 F/I	33-2819 ♦	
Excursion	6.8L V10 F/I	E-0945 ♦	HP-2010	Focus	2.0L L4 F/I - DOHC	33-2819	HP-1012
Excursion	7.3L V8 DSL	33-2248 ♦	HP-6001	Focus	2.0L L4 F/I - SOHC	33-2819	HP-2009
Expedition	4.6L V8 F/I	E-0945 ♦	HP-2010	Galaxy	1.9L L4 DSL	33-2203	
Expedition	5.4L V8 F/I	E-0945 ♦	HP-2010	Galaxy	2.0L L4 F/I	33-2203	
Explorer	4.0L V6 F/I	33-2106-1 ♦		Galaxy	2.3L L4 F/I	33-2203	
		33-2106-1 ♦		Galaxy	2.8L V6 F/I	33-2203	
Explorer	4.0L V6 F/I - 22mm Thread	33-2106-1	HP-2010	Ka	1.0L L4 F/I	33-2024	
Explorer	4.0L V6 F/I - 3/4 thread	33-2106-1	HP-3001	Ka	1.3L L4 F/I	33-2024 ♦	
Explorer	5.0L V8 F/I	33-2106-1	HP-2010	Ka	1.6L L4 F/I		HP-2009
Explorer Sport	4.0L V6 F/I	33-2106-1 ♦		Lobo	4.6L V8 F/I		HP-2010
Explorer Sport	4.0L V6 F/I - 22mm Thread	33-2106-1	HP-2010	Lobo	5.4L V8 F/I		HP-2010
Explorer Sport	4.0L V6 F/I - 3/4 thread	33-2106-1	HP-3001	Maverick	3.0L L4 F/I	33-2187	
Explorer Sport Trac	4.0L V6 F/I	33-2106-1 ♦		Mondeo III	1.8L L4 F/I	33-2210 ♦	
Explorer Sport Trac	4.0L V6 F/I - 22mm Thread	33-2106-1	HP-2010	Mondeo III	2.0L L4 DSL	33-2210 ♦	
Explorer Sport Trac	4.0L V6 F/I - 3/4 thread	33-2106-1	HP-3001	Mondeo III	2.0L L4 F/I	33-2210 ♦	
F150	4.2L V6 F/I	E-0945 ♦	HP-2009	Mondeo III	2.5L V6 F/I	33-2210 ♦	HP-2010
F150	4.6L V8 F/I	E-0945 ♦	HP-2010	Motorhome	5.4L V8 F/I - Class C	E-0945	
F150	5.4L V8 F/I	E-0945 ♦	HP-2010	Mustang	3.8L V6 F/I	E-0940 ♦	HP-2009
F150 Harley Davidson	5.4L V8 F/I	E-0945 ♦	HP-2010	Mustang GT	4.6L V8 F/I	E-0945 ♦	HP-2010
F150 Lightning	5.4L V8 F/I	33-2140-1 ♦	HP-2010	Mustang GT Bullitt	4.6L V8 F/I	E-0945 ♦	HP-2010
F250 Super Duty	5.4L V8 F/I	E-0945 ♦	HP-2010	Mustang SVT Cobra	4.6L V8 F/I	E-0945 ♦	HP-2010
F250 Super Duty	6.8L V10 F/I	E-0945 ♦	HP-2010	Puma	1.6L L4 F/I	33-2804	
F250 Super Duty	7.3L V8 DSL	33-2248 ♦	HP-6001	Puma	1.7L L4 F/I	33-2804 ♦	
F350 Super Duty	5.4L V8 F/I	E-0945 ♦	HP-2010	Ranger	2.3L L4 F/I	33-2106-1 ♦	HP-2009
F350 Super Duty	6.8L V10 F/I	E-0945 ♦	HP-2010	Ranger	2.5L L4 DSL	33-2167	
F350 Super Duty	7.3L V8 DSL	33-2248 ♦	HP-6001	Ranger	2.5L L4 F/I	33-2106-1 ♦	HP-2009
F450	6.8L V10 F/I	E-0945	HP-2010	Ranger	3.0L V6 F/I	33-2106-1 ♦	HP-2009
F450 Super Duty	6.8L V10 F/I	E-0945	HP-2010	Ranger	4.0L V6 F/I	33-2106-1 ♦	HP-2010
F450 Super Duty	7.3L V8 DSL	33-2248	HP-6001	Taurus	3.0L V6 F/I - DOHC	33-2150	HP-2010
F550 Super Duty	6.8L V10 F/I	E-0945	HP-2010	Taurus	3.0L V6 F/I - OHV	33-2150	HP-2009
F550 Super Duty	7.3L V8 DSL	33-2248	HP-6001	Transit	2.0L L4 DSL	33-2861	
Fairmont	4.0L V6 F/I	33-2015	HP-3001	Transit	2.3L L4 F/I	33-2861	
Fairmont	5.0L V8 F/I	33-2015	HP-3001	Transit	2.4L L4 DSL	33-2861	
Falcon	4.0L V6 F/I	33-2015	HP-3001	Windstar	3.8L V6 F/I	E-0995	HP-2009
Falcon	5.0L V8 F/I	33-2015					
Falcon	5.0L V8 F/I - w/ oil cooler	33-2015	HP-1009	<b>2000 FORD</b>			
Falcon	5.0L V8 F/I - w/o oil cooler	33-2015	HP-3001	Contour	2.0L L4 F/I	33-2132	HP-1012
Falcon	5.6L V8 F/I	E-0945	HP-1009	Contour	2.5L V6 F/I	33-2115-1	HP-2010
Fiesta	1.3L L4 F/I - Oval Filter	E-9090 ♦		Contour SVT	2.5L V6 F/I	E-0998	HP-2010
Fiesta	1.3L L4 F/I - Panel Filter	33-2804 ♦		Cougar	2.0L L4 F/I	33-2132	
Fiesta Ikon	1.6L L4 F/I		HP-2009	Cougar	2.5L V6 F/I	33-2115-1 ♦	
Fiesta IV	1.3L L4 F/I		HP-1002	Crown Victoria	4.6L V8 F/I	33-2272 ♦	HP-2010
Fiesta IV	1.3L L4 F/I - w/Oval Filter	E-9090 ♦	HP-1002	E150 Econoline	4.2L V6 F/I	E-0945	HP-2009
Fiesta IV	1.3L L4 F/I - w/Panel Filter	33-2804 ♦	HP-1002	E150 Econoline	4.6L V8 F/I	E-0945	HP-2010
Fiesta IV	1.4L L4 F/I		HP-1002	E150 Econoline	5.4L V8 F/I	E-0945	HP-2010
Fiesta IV	1.4L L4 F/I - w/Oval Filter	E-9090	HP-1002	E150 Econoline Club Wagon	4.2L V6 F/I	E-0945	HP-2009
Fiesta IV	1.4L L4 F/I - w/Panel Filter	33-2804	HP-1002	E150 Econoline Club Wagon	4.6L V8 F/I	E-0945	HP-2010
Fiesta IV	1.6L L4 F/I	33-2804 ♦		E150 Econoline Club Wagon	5.4L V8 F/I	E-0945	HP-2010
Fiesta IV	1.8L L4 DSL - 60/75BHP	33-2804		E250 Econoline	4.2L V6 F/I	E-0945	HP-2009
Fiesta IV	1.8L L4 DSL - 90BHP	33-2735		E250 Econoline	5.4L V8 F/I	E-0945	HP-2010
Focus	1.4L L4 F/I	33-2819 ♦		E350 Econoline	5.4L V8 F/I	E-0945	HP-2010
Focus	1.6L L4 F/I	33-2819 ♦		E350 Econoline	6.8L V10 F/I	E-0945 ♦	HP-2010
Focus	1.8L L4 DSL	33-2819 ♦		E350 Econoline	7.3L V8 DSL	33-2127*	HP-6001
Focus	1.8L L4 F/I	33-2819 ♦		E350 Econoline Club Wagon	5.4L V8 F/I	E-0945	HP-2010
Focus	2.0L L4 F/I	33-2819		E350 Econoline Club Wagon	6.8L V10 F/I	E-0945 ♦	HP-2010
		33-2819 ♦		E350 Econoline Club Wagon	7.3L V8 DSL	33-2127*	HP-6001
				E450 Econoline Super Duty	5.4L V8 F/I	E-0945	HP-2010

\*Indicates 2 filters required      ♦ - Intake kit available      Applications updated daily at [knfilters.com](http://knfilters.com) ®

**Partial Listing - Complete List of Vehicles and Applications at [knfilters.com](http://knfilters.com)**

# FORD

# AIR & OIL FILTERS

Vehicle	Engine Type	Air Filter	Oil Filter	Vehicle	Engine Type	Air Filter	Oil Filter
<b>2000 FORD</b>				<b>2000 FORD</b>			
E450 Econoline Super Duty	6.8L V10 F/I	E-0945 ♦	HP-2010	Focus	1.4L L4 F/I	33-2819 ♦	
E450 Econoline Super Duty	7.3L V8 DSL	33-2127*	HP-6001	Focus	1.6L L4 F/I	33-2819 ♦	
E450 Econoline Super Duty Stripped	5.4L V8 F/I	E-0945	HP-2010	Focus	1.8L L4 DSL	33-2819 ♦	
E450 Econoline Super Duty Stripped	6.8L V10 F/I	E-0945 ♦	HP-2010	Focus	1.8L L4 F/I	33-2819 ♦	
E450 Econoline Super Duty Stripped	7.3L V8 DSL	33-2127*	HP-6001	Focus	2.0L L4 F/I	33-2819	
E450 Motorhome	6.8L V10 F/I - Class C	E-0945 ♦		Focus	2.0L L4 F/I - DOHC	33-2819	HP-1012
E550 Motorhome	6.8L V10 F/I - Class C	E-0945 ♦		Focus	2.0L L4 F/I - SOHC	33-2819	HP-2009
Escort	1.6L L4 F/I	33-2627		Galaxy	1.9L L4 DSL - from 6/00	33-2203	
Escort	2.0L L4 F/I	E-0995	HP-2009	Galaxy	1.9L L4 DSL - to 5/00	33-2749	
Escort Express	1.8L L4 DSL	33-2627		Galaxy	2.0L L4 F/I - from 6/00	33-2203	
Escort VI	1.8L L4 DSL	33-2627 ♦		Galaxy	2.0L L4 F/I - to 5/00	33-2749	
Escort VII	1.8L L4 F/I	33-2627 ♦		Galaxy	2.3L L4 F/I - from 6/00	33-2203	
Escort ZX2	2.0L L4 F/I	E-0995 ♦	HP-1012	Galaxy	2.3L L4 F/I - to 5/00	33-2749	
Excursion	5.4L V8 F/I	E-0945 ♦	HP-2010	Galaxy	2.8L V6 F/I		HP-7005
Excursion	6.8L V10 F/I	E-0945 ♦	HP-2010	Galaxy	2.8L V6 F/I - from 6/00	33-2203	HP-7005
Excursion	7.3L V8 DSL	33-2248 ♦	HP-6001	Galaxy	2.8L V6 F/I - to 5/00	33-2749	HP-7005
Expedition	4.6L V8 F/I	E-0945 ♦	HP-2010	Ka	1.0L L4 F/I	33-2024	
Expedition	5.4L V8 F/I	E-0945 ♦	HP-2010	Ka	1.3L L4 F/I	33-2024 ♦	
Explorer	4.0L V6 F/I	33-2106-1 ♦	HP-3001	Ka	1.6L L4 F/I		HP-2009
Explorer	5.0L V8 F/I	33-2106-1 ♦	HP-3001	Lobo	4.6L V8 F/I		HP-2010
Explorer Sport	4.0L V6 F/I	33-2106-1	HP-3001	Lobo	5.4L V8 F/I		HP-2010
F150	4.2L V6 F/I	E-0945 ♦	HP-2009	Mondeo II	1.6L L4 F/I	33-2132 ♦	
F150	4.6L V8 F/I	E-0945 ♦	HP-2010	Mondeo II	1.8L L4 DSL	33-2697	
F150	5.4L V8 F/I	E-0945 ♦	HP-2010	Mondeo II	1.8L L4 F/I	33-2132 ♦	
F150 Harley Davidson	5.4L V8 F/I	E-0945 ♦	HP-2010	Mondeo II	2.0L L4 F/I	33-2132 ♦	
F150 Lightning	5.4L V8 F/I	33-2140-1 ♦	HP-2010	Mondeo II	2.5L V6 F/I	33-2115-1 ♦	
F250 Super Duty	5.4L V8 F/I	E-0945 ♦	HP-2010	Mondeo III	1.8L L4 F/I	33-2210 ♦	
F250 Super Duty	6.8L V10 F/I	E-0945 ♦	HP-2010	Mondeo III	2.0L L4 DSL	33-2210 ♦	
F250 Super Duty	7.3L V8 DSL	33-2248 ♦	HP-6001	Mondeo III	2.0L L4 F/I	33-2210 ♦	
F350 Super Duty	5.4L V8 F/I	E-0945 ♦	HP-2010	Mondeo III	2.5L V6 F/I	33-2210 ♦	
F350 Super Duty	6.8L V10 F/I	E-0945 ♦	HP-2010	Motorhome	5.4L V8 F/I - Class C	E-0945	
F350 Super Duty	7.3L V8 DSL	33-2248 ♦	HP-6001	Mustang	3.8L V6 F/I	E-0940 ♦	HP-2009
F450 Super Duty	6.8L V10 F/I	E-0945	HP-2010	Mustang GT	4.6L V8 F/I	E-0945 ♦	HP-2010
F450 Super Duty	7.3L V8 DSL	33-2248 ♦	HP-6001	Mustang SVT Cobra	4.6L V8 F/I	E-0945 ♦	HP-2010
F550 Super Duty	6.8L V10 F/I	E-0945	HP-2010	Mustang SVT Cobra R	5.4L V8 F/I		HP-2010
F550 Super Duty	7.3L V8 DSL	33-2248	HP-6001	Puma	1.4L L4 F/I - to 10/00	33-2804 ♦	
Fairmont	4.0L V6 F/I	33-2015	HP-3001	Puma	1.6L L4 F/I - from 8/00	33-2804	
Fairmont	5.0L V8 F/I	33-2015	HP-3001	Puma	1.7L L4 F/I	33-2804 ♦	
Falcon	4.0L V6 F/I	33-2015	HP-3001	Ranger	2.5L L4 DSL	33-2167	
Falcon	5.0L V8 F/I	33-2015		Ranger	2.5L L4 F/I	33-2106-1 ♦	HP-2009
Falcon	5.0L V8 F/I - w/ oil cooler	33-2015	HP-1009	Ranger	3.0L V6 F/I	33-2106-1 ♦	HP-2009
Falcon	5.0L V8 F/I - w/o oil cooler	33-2015	HP-3001	Ranger	4.0L V6 F/I	33-2106-1 ♦	HP-3001
Falcon	V8	33-2235		Taurus	3.0L V6 F/I - DOHC	33-2150	HP-2010
Fiesta	1.3L L4 F/I - Oval Filter	E-9090 ♦		Taurus	3.0L V6 F/I - OHV	33-2150	HP-2009
Fiesta	1.3L L4 F/I - Panel Filter	33-2804 ♦		Transit	2.0L L4 DSL	33-2861	
Fiesta IV	1.3L L4 F/I		HP-1002	Transit	2.0L L4 F/I	33-2739	
Fiesta IV	1.3L L4 F/I - w/Oval Filter	E-9090 ♦	HP-1002	Transit	2.3L L4 F/I	33-2861	
Fiesta IV	1.3L L4 F/I - w/Panel Filter	33-2804 ♦	HP-1002	Transit	2.4L L4 DSL	33-2861	
Fiesta IV	1.4L L4 F/I		HP-1002	Transit 95	2.5L L4 DSL	33-2739	
Fiesta IV	1.4L L4 F/I - w/Oval Filter	E-9090 ♦	HP-1002	Windstar	3.0L V6 F/I	E-0995	HP-2009
Fiesta IV	1.4L L4 F/I - w/Panel Filter	33-2804 ♦	HP-1002	Windstar	3.8L V6 F/I	E-0995	HP-2009
Fiesta IV	1.6L L4 F/I	33-2804 ♦		<b>1999 FORD</b>			
Fiesta IV	1.8L L4 DSL - 60/75BHP	33-2804		Contour	2.0L L4 F/I	33-2132	HP-1012
Fiesta IV	1.8L L4 DSL - 90BHP	33-2735		Contour	2.5L V6 F/I	33-2115-1	HP-2010
				Contour SVT	2.5L V6 F/I	E-0998	HP-2010
				Cougar	2.0L L4 F/I	33-2132	
				Cougar	2.5L V6 F/I	33-2115-1 ♦	
				Crown Victoria	4.6L V8 F/I	33-2272 ♦	HP-2010
				E150 Econoline	4.2L V6 F/I	E-0945	HP-2009
				E150 Econoline	4.6L V8 F/I	E-0945	HP-2010

\*Indicates 2 filters required    ♦ - Intake kit available    Applications updated daily at [knfilters.com](http://knfilters.com) ®

# AIR & OIL FILTERS

# FORD

Vehicle	Engine Type	Air Filter	Oil Filter	Vehicle	Engine Type	Air Filter	Oil Filter
<b>1999 FORD</b>				<b>1999 FORD</b>			
E150 Econoline	5.4L V8 F/I	E-0945	HP-2010	F550 Super Duty	7.3L V8 DSL		HP-6001
E150 Econoline Club Wagon	4.2L V6 F/I	E-0945	HP-2009	F550 Super Duty	7.3L V8 DSL - from 12/98	33-2248 ♦	HP-6001
E150 Econoline Club Wagon	4.6L V8 F/I	E-0945	HP-2010	F550 Super Duty F800	7.3L V8 DSL - to 12/98	33-2123 ♦	HP-6001
E150 Econoline Club Wagon	5.4L V8 F/I	E-0945	HP-2010		5.9L L6 DSL - OEM 3942470		FF-1261
E250 Econoline	4.2L V6 F/I	E-0945	HP-2009	Fairmont	4.0L V6 F/I	33-2015	HP-3001
E250 Econoline	5.4L V8 F/I	E-0945	HP-2010	Fairmont	5.0L V8 F/I	33-2015	HP-3001
E350 Econoline	5.4L V8 F/I	E-0945	HP-2010	Falcon	4.0L V6 F/I	33-2708	HP-3001
E350 Econoline	6.8L V10 F/I	E-0945 ♦	HP-2010	Falcon	5.0L V8 F/I	33-2015	
E350 Econoline	7.3L V8 DSL	33-2127*	HP-6001	Falcon	5.0L V8 F/I - w/ oil cooler	33-2015	HP-1009
E350 Econoline Club Wagon	5.4L V8 F/I	E-0945	HP-2010	Falcon	5.0L V8 F/I - w/o oil cooler	33-2015	HP-3001
E350 Econoline Club Wagon	6.8L V10 F/I	E-0945 ♦	HP-2010	Falcon Outback	4.0L V6 F/I		HP-3001
E350 Econoline Club Wagon	7.3L V8 DSL	33-2127*	HP-6001	Falcon XR6	4.0L V6 F/I	33-2015	HP-3001
E450 Econoline Super Duty	6.8L V10 F/I	E-0945 ♦	HP-2010	Festiva	1.5L L4 F/I		HP-1008
E450 Motorhome	6.8L V10 F/I - Class C	E-0945 ♦		Fiesta	1.3L L4 F/I - Oval Filter	E-9090 ♦	
E550 Econoline Super Duty	6.8L V10 F/I	E-0945	HP-2010	Fiesta	1.3L L4 F/I - Panel Filter	33-2804 ♦	
E550 Motorhome	6.8L V10 F/I - Class C	E-0945 ♦		Fiesta	1.4L L4 F/I - w/Oval Filter	E-9090 ♦	
Econoline Super Duty	5.4L V8 F/I	E-0945	HP-2010	Fiesta	1.4L L4 F/I - w/Panel Filter	33-2804 ♦	
Econoline Super Duty	7.3L V8 DSL	33-2127*	HP-6001	Fiesta IV	1.25L L4 F/I	33-2804 ♦	
Escort	1.6L L4 F/I	33-2627		Fiesta IV	1.3L L4 F/I		HP-1002
Escort	2.0L L4 F/I	E-0995	HP-2009	Fiesta IV	1.3L L4 F/I - w/Oval Filter	E-9090 ♦	HP-1002
Escort Express	1.4L L4 F/I	33-2627 ♦		Fiesta IV	1.3L L4 F/I - w/Panel Filter	33-2804 ♦	HP-1002
Escort Express	1.8L L4 DSL	33-2627		Fiesta IV	1.4L L4 F/I		HP-1002
Escort VI	1.8L L4 DSL	33-2627 ♦		Fiesta IV	1.4L L4 F/I - w/Oval Filter	E-9090 ♦	HP-1002
Escort VII	1.3L L4 F/I	E-9091		Fiesta IV	1.4L L4 F/I - w/Panel Filter	33-2804 ♦	HP-1002
Escort VII	1.4L L4 F/I	33-2627 ♦		Fiesta IV	1.6L L4 F/I	33-2804	
Escort VII	1.6L L4 F/I	33-2627 ♦		Fiesta IV	1.8L L4 DSL	33-2804	
Escort VII	1.8L L4 DSL	33-2627		Focus	1.4L L4 F/I	33-2819 ♦	
Escort VII	1.8L L4 F/I	33-2627 ♦		Focus	1.6L L4 F/I	33-2819 ♦	
Escort ZX2	2.0L L4 F/I	E-0995	HP-1012	Focus	1.8L L4 DSL	33-2819 ♦	
Expedition	4.6L V8 F/I	E-0945 ♦	HP-2010	Focus	1.8L L4 F/I	33-2819 ♦	
Expedition	5.4L V8 F/I	E-0945 ♦	HP-2010	Focus	2.0L L4 F/I	33-2819 ♦	
Explorer	4.0L V6 F/I	33-2106-1 ♦	HP-3001	Galaxy	1.9L L4 DSL	33-2749	
		33-2106-1 ♦	HP-3001	Galaxy	2.0L L4 F/I	33-2749	
Explorer	5.0L V8 F/I	33-2106-1	HP-2010	Galaxy	2.3L L4 F/I	33-2749	
F150	4.2L V6 F/I	E-0945 ♦	HP-2009	Galaxy	2.8L V6 F/I	33-2749	HP-7005
F150	4.6L V8 F/I	E-0945 ♦	HP-2010	Ka	1.0L L4 F/I	33-2024	
F150	5.4L V8 F/I	E-0945 ♦	HP-2010	Ka	1.3L L4 F/I	33-2024 ♦	
F150 Lightning	5.4L V8 F/I	33-2140-1 ♦	HP-2010	Lobo	4.6L V8 F/I		HP-2010
F250	4.6L V8 F/I	E-0945 ♦	HP-2010	Mondeo II	1.6L L4 F/I	33-2132 ♦	
F250	5.4L V8 F/I	E-0945 ♦	HP-2010	Mondeo II	1.8L L4 DSL	33-2697	
F250 Super Duty	5.4L V8 F/I	E-0945 ♦	HP-2010	Mondeo II	1.8L L4 F/I	33-2132 ♦	
F250 Super Duty	6.8L V10 F/I	E-0945 ♦	HP-2010	Mondeo II	2.0L L4 F/I	33-2132 ♦	
F250 Super Duty	7.3L V8 DSL		HP-6001	Mondeo II	2.5L V6 F/I	33-2115-1 ♦	
F250 Super Duty	7.3L V8 DSL - from 12/98	33-2248 ♦	HP-6001	Motorhome	5.4L V8 F/I - Class C	E-0945	
F250 Super Duty	7.3L V8 DSL - to 12/98	33-2123 ♦	HP-6001	Mustang	3.8L V6 F/I	E-0940 ♦	HP-2009
F350 Super Duty	5.4L V8 F/I	E-0945 ♦	HP-2010	Mustang GT	4.6L V8 F/I	E-0945 ♦	HP-2010
F350 Super Duty	6.8L V10 F/I	E-0945 ♦	HP-2010	Mustang SVT Cobra	4.6L V8 F/I	E-0945 ♦	HP-2010
F350 Super Duty	7.3L V8 DSL		HP-6001	Puma	1.4L L4 F/I	33-2804 ♦	
F350 Super Duty	7.3L V8 DSL - from 12/98	33-2248 ♦	HP-6001	Puma	1.7L L4 F/I	33-2804 ♦	
F350 Super Duty	7.3L V8 DSL - to 12/98	33-2123 ♦	HP-6001	Ranger	2.5L L4 DSL	33-2167	
F450	6.8L V10 F/I	E-0945	HP-2010	Ranger	2.5L L4 F/I	33-2106-1 ♦	HP-2009
F450 Super Duty	6.8L V10 F/I	E-0945 ♦	HP-2010	Ranger	3.0L V6 F/I	33-2106-1 ♦	HP-2009
F450 Super Duty	7.3L V8 DSL		HP-6001	Ranger	4.0L V6 F/I	33-2106-1 ♦	HP-3001
F450 Super Duty	7.3L V8 DSL - from 12/98	33-2248 ♦	HP-6001	Taurus	3.0L V6 F/I - DOHC	33-2107	HP-2010
F450 Super Duty	7.3L V8 DSL - to 12/98	33-2123 ♦	HP-6001	Taurus	3.0L V6 F/I - OHV	33-2107	HP-2009
F550 Super Duty	6.8L V10 F/I	E-0945 ♦	HP-2010	Taurus	3.4L V8 F/I	33-2150	HP-2009
				Transit	2.0L L4 F/I	33-2739	

\*Indicates 2 filters required      ♦ - Intake kit available      Applications updated daily at [knfilters.com](http://knfilters.com) ®

**Partial Listing - Complete List of Vehicles and Applications at [knfilters.com](http://knfilters.com)**

# FORD

# AIR & OIL FILTERS

Vehicle	Engine Type	Air Filter	Oil Filter	Vehicle	Engine Type	Air Filter	Oil Filter
<b>1999 FORD</b>				<b>1998 FORD</b>			
Transit 95	2.5L L4 DSL	33-2739		F150	5.4L V8 F/I	E-0945 ♦	HP-2010
Windstar	3.0L V6 F/I	E-0995	HP-2009	F250	4.6L V8 F/I	E-0945 ♦	HP-2010
Windstar	3.8L V6 F/I	E-0995	HP-2009	F250	5.4L V8 F/I	E-0945 ♦	HP-2010
<b>1998 FORD</b>				Fairmont	4.0L V6 F/I	33-2015	HP-3001
Contour	2.0L L4 F/I	33-2132	HP-1012	Fairmont	5.0L V8 F/I	33-2015	HP-3001
Contour	2.5L V6 F/I	33-2115-1	HP-2010	Falcon	4.0L V6 F/I	33-2708	HP-3001
Contour SVT	2.5L V6 F/I	E-0998	HP-2010	Falcon	5.0L V8 F/I	33-2015	
Cougar	2.0L L4 F/I	33-2132		Falcon	5.0L V8 F/I - w/ oil cooler	33-2015	HP-1009
Cougar	2.5L V6 F/I	33-2115-1 ♦		Falcon	5.0L V8 F/I - w/o oil cooler	33-2015	HP-3001
Crown Victoria	4.6L V8 F/I	33-2272	HP-2010	Falcon Outback	4.0L V6 F/I		HP-3001
E150 Econoline	4.2L V6 F/I	E-0945	HP-2009	Falcon XR6	4.0L V6 F/I	33-2015	HP-3001
E150 Econoline	4.6L V8 F/I	E-0945	HP-2010	Fiesta	1.3L L4 F/I - Oval Filter	E-9090 ♦	
E150 Econoline	5.4L V8 F/I	E-0945	HP-2010	Fiesta	1.3L L4 F/I - Panel Filter	33-2804 ♦	
E150 Econoline Club Wagon	4.2L V6 F/I	E-0945	HP-2009	Fiesta	1.4L L4 F/I - w/Oval Filter	E-9090 ♦	
E150 Econoline Club Wagon	4.6L V8 F/I	E-0945	HP-2010	Fiesta	1.4L L4 F/I - w/Panel Filter	33-2804 ♦	
E150 Econoline Club Wagon	5.4L V8 F/I	E-0945	HP-2010	Fiesta	1.6L L4 F/I	33-2804	
E250 Econoline	4.2L V6 F/I	E-0945	HP-2009	Fiesta IV	1.25L L4 F/I	33-2804 ♦	
E250 Econoline	5.4L V8 F/I	E-0945	HP-2010	Fiesta IV	1.3L L4 F/I		HP-1002
E350 Econoline	5.4L V8 F/I	E-0945	HP-2010	Fiesta IV	1.3L L4 F/I - w/Oval Filter	E-9090 ♦	HP-1002
E350 Econoline	6.8L V10 F/I	E-0945 ♦	HP-2010	Fiesta IV	1.3L L4 F/I - w/Panel Filter	33-2804 ♦	HP-1002
E350 Econoline	7.3L V8 DSL	33-2127*	HP-6001	Fiesta IV	1.4L L4 F/I		HP-1002
E350 Econoline Club Wagon	5.4L V8 F/I	E-0945	HP-2010	Fiesta IV	1.4L L4 F/I - w/Oval Filter	E-9090 ♦	HP-1002
E350 Econoline Club Wagon	6.8L V10 F/I	E-0945 ♦	HP-2010	Fiesta IV	1.4L L4 F/I - w/Panel Filter	33-2804 ♦	HP-1002
E350 Econoline Club Wagon	7.3L V8 DSL	33-2127*	HP-6001	Fiesta IV	1.8L L4 DSL	33-2804	
E450 Econoline Super Duty	6.8L V10 F/I	E-0945 ♦	HP-2010	Focus	1.4L L4 F/I	33-2819 ♦	
E450 Motorhome	6.8L V10 F/I - Class C	E-0945 ♦		Focus	1.6L L4 F/I	33-2819 ♦	
E550 Econoline Super Duty	6.8L V10 F/I	E-0945	HP-2010	Focus	1.8L L4 DSL	33-2819 ♦	
E550 Motorhome	6.8L V10 F/I - Class C	E-0945 ♦		Focus	1.8L L4 F/I	33-2819 ♦	
Econoline Super Duty	5.4L V8 F/I	E-0945	HP-2010	Focus	2.0L L4 F/I	33-2819 ♦	
Econoline Super Duty	7.3L V8 DSL	33-2127*	HP-6001	Galaxy	1.9L L4 DSL	33-2749	
Escort	1.6L L4 F/I	33-2627		Galaxy	2.0L L4 F/I	33-2749	
Escort	2.0L L4 F/I	E-0995	HP-2009	Galaxy	2.3L L4 F/I	33-2749	
Escort Express	1.4L L4 F/I	33-2627 ♦		Galaxy	2.8L V6 F/I	33-2749	HP-7005
Escort Express	1.8L L4 DSL	33-2627		Ka	1.3L L4 F/I	33-2024 ♦	
Escort VI	1.8L L4 DSL	33-2627 ♦		Lobo	4.6L V8 F/I		HP-2010
Escort VII	1.3L L4 F/I	E-9091		Maverick	2.4L L4 F/I	33-2031-2	
Escort VII	1.4L L4 F/I	33-2627 ♦		Maverick	2.7L L4 DSL	E-9251 ♦	
Escort VII	1.6L L4 F/I	33-2627 ♦		Mondeo II	1.6L L4 F/I	33-2132 ♦	
Escort VII	1.8L L4 DSL	33-2627		Mondeo II	1.8L L4 DSL	33-2697	
Escort VII	1.8L L4 F/I	33-2627 ♦		Mondeo II	1.8L L4 F/I	33-2132 ♦	
Escort VII	2.0L L4 F/I	33-2627		Mondeo II	2.0L L4 F/I	33-2132 ♦	
Escort ZX2	2.0L L4 F/I	E-0995	HP-1012	Mondeo II	2.5L V6 F/I	33-2115-1 ♦	
Expedition	4.6L V8 F/I	E-0945 ♦	HP-2010	Motorhome	5.4L V8 F/I - Class C	E-0945	
Expedition	5.4L V8 F/I	E-0945 ♦	HP-2010	Mustang	3.8L V6 F/I	E-0940	HP-2009
Explorer	4.0L V6 F/I		HP-3001	Mustang GT	4.6L V8 F/I	E-0945 ♦	HP-2010
Explorer	4.0L V6 F/I - w/Panel Filter	33-2106-1 ♦	HP-3001	Mustang SVT Cobra	4.6L V8 F/I	E-0945 ♦	HP-2010
		33-2106-1 ♦	HP-3001	Probe	2.0L L4 F/I - Non-US, to 4/98	33-2676	
Explorer	4.0L V6 F/I - w/Round Filter	E-0996 ♦	HP-3001	Probe	2.5L V6 F/I - Non-US, to 4/98	33-2676	
		E-0996 ♦	HP-3001	Puma	1.4L L4 F/I	33-2804 ♦	
Explorer	5.0L V8 F/I		HP-2010	Puma	1.7L L4 F/I	33-2804 ♦	
Explorer	5.0L V8 F/I - w/Panel Filter	33-2106-1	HP-2010	Ranger	2.5L L4 F/I	33-2106-1 ♦	HP-2009
Explorer	5.0L V8 F/I - w/Round Filter	E-0996	HP-2010	Ranger	3.0L V6 F/I	33-2106-1 ♦	HP-2009
F150	4.2L V6 F/I	E-0945 ♦	HP-2009	Ranger	4.0L V6 F/I	33-2106-1 ♦	HP-3001
F150	4.6L V8 F/I	E-0945 ♦	HP-2010	Scorpio II	2.0L L4 F/I	33-2664	
				Scorpio II	2.3L L4 F/I	33-2664	
				Scorpio II	2.5L L4 DSL	33-2013	
				Scorpio II	2.9L V6 F/I	33-2664	

\*Indicates 2 filters required      ♦ - Intake kit available      Applications updated daily at [knfilters.com](http://knfilters.com) ®

# AIR & OIL FILTERS

# FORD

Vehicle	Engine Type	Air Filter	Oil Filter	Vehicle	Engine Type	Air Filter	Oil Filter
<b>1998 FORD</b>				<b>1997 FORD</b>			
Taurus	3.0L V6 F/I - DOHC	33-2107	HP-2010	Explorer	5.0L V8 F/I - w/Panel Filter	33-2106-1 ♦	HP-2010
Taurus	3.0L V6 F/I - OHV	33-2107	HP-2009	Explorer	5.0L V8 F/I - w/Round Filter	E-0996 ♦	HP-2010
Taurus	3.4L V8 F/I	33-2150	HP-2009	F53	7.5L V8 F/I	33-2023	HP-3001
Transit	2.0L L4 F/I	33-2739		F150	4.2L V6 F/I	E-0945 ♦	HP-2009
Transit	2.0L L4 F/I - w/ A/C	33-2739	HP-1009	F150	4.6L V8 F/I	E-0945 ♦	HP-2010
Transit 95	2.5L L4 DSL	33-2739		F150	5.4L V8 F/I	E-0945 ♦	HP-2010
Windstar	3.0L V6 F/I		HP-2009	F250	4.6L V8 F/I	E-0945 ♦	HP-2010
Windstar	3.8L V6 F/I	E-0995	HP-2009	F250	5.4L V8 F/I	E-0945 ♦	HP-2010
<b>1997 FORD</b>				<b>1997 FORD</b>			
Aerostar	3.0L V6 F/I	33-2024	HP-2009	F250	5.8L V8 F/I	33-2023	HP-2010
Aerostar	4.0L V6 F/I	33-2024	HP-3001	F250	7.3L V8 DSL	E-1946 ♦	HP-6001
Aspire	1.3L L4 F/I		HP-1008	F250	7.5L V8 F/I	33-2023 ♦	HP-3001
Contour	2.0L L4 F/I	33-2132	HP-2004	F350	5.8L V8 F/I	33-2023	HP-2010
Contour	2.5L V6 F/I	33-2115-1	HP-2010	F350	7.3L V8 DSL	E-1946 ♦	HP-6001
Crown Victoria	4.6L V8 F/I	33-2272	HP-2010	F350	7.5L V8 F/I	33-2023 ♦	HP-3001
E150 Econoline	4.2L V6 F/I	E-0945	HP-2009	F450	7.3L V8 DSL	E-1946	HP-6001
E150 Econoline	4.6L V8 F/I	E-0945	HP-2010	F450	7.3L V8 DSL - OEM FD4595	E-1946	FF-4595
E150 Econoline	5.4L V8 F/I	E-0945	HP-2010	F450	7.5L V8 F/I	33-2023	HP-3001
E150 Econoline Club Wagon	4.2L V6 F/I	E-0945	HP-2009	Fairmont	4.0L V6 F/I	33-2015	HP-3001
E150 Econoline Club Wagon	4.6L V8 F/I	E-0945	HP-2010	Fairmont	5.0L V8 F/I	33-2015	HP-3001
E150 Econoline Club Wagon	5.4L V8 F/I	E-0945	HP-2010	Falcon	4.0L V6 F/I	33-2708	HP-3001
E250 Econoline	4.2L V6 F/I	E-0945	HP-2009	Falcon	5.0L V8 F/I	33-2015	HP-3001
E250 Econoline	4.6L V8 F/I	E-0945	HP-2010	Falcon Outback	4.0L V6 F/I		HP-3001
E250 Econoline	5.4L V8 F/I	E-0945	HP-2010	Falcon XR6	4.0L V6 F/I	33-2015	HP-3001
E350 Econoline	5.4L V8 F/I	E-0945	HP-2010	Fiesta	1.3L L4 F/I - Oval Filter	E-9090 ♦	
E350 Econoline	6.8L V10 F/I	E-0945 ♦	HP-2010	Fiesta	1.3L L4 F/I - Panel Filter	33-2804 ♦	
E350 Econoline	7.3L V8 DSL	33-2127*	HP-6001	Fiesta	1.4L L4 F/I		HP-1002
E350 Econoline Club Wagon	5.4L V8 F/I	E-0945	HP-2010	Fiesta	1.4L L4 F/I - w/Oval Filter	E-9090 ♦	HP-1002
E350 Econoline Club Wagon	6.8L V10 F/I	E-0945 ♦	HP-2010	Fiesta	1.4L L4 F/I - w/Panel Filter	33-2804 ♦	HP-1002
E350 Econoline Club Wagon	7.3L V8 DSL	33-2127*	HP-6001	Fiesta IV	1.6L L4 F/I	33-2804	
E450 Econoline Super Duty	6.8L V10 F/I	E-0945 ♦	HP-2010	Fiesta IV	1.25L L4 F/I	33-2804 ♦	
E450 Motorhome	6.8L V10 F/I - Class C	E-0945 ♦		Fiesta IV	1.3L L4 F/I - w/Oval Filter	E-9090 ♦	
E550 Econoline Super Duty	6.8L V10 F/I	E-0945	HP-2010	Fiesta IV	1.3L L4 F/I - w/Panel Filter	33-2804 ♦	
E550 Motorhome	6.8L V10 F/I - Class C	E-0945 ♦		Fiesta IV	1.4L L4 F/I - w/Oval Filter	E-9090 ♦	
Econoline Super Duty	5.4L V8 F/I	E-0945	HP-2010	Fiesta IV	1.4L L4 F/I - w/Panel Filter	33-2804 ♦	
Econoline Super Duty	7.3L V8 DSL	33-2127*	HP-6001	Fiesta IV	1.8L L4 DSL	33-2804	
Escort	2.0L L4 F/I	E-0995	HP-2009	Galaxy	1.9L L4 DSL	33-2749	
Escort Express	1.4L L4 F/I	33-2627 ♦		Galaxy	2.0L L4 F/I	33-2749	
Escort Express	1.8L L4 DSL	33-2627		Galaxy	2.3L L4 F/I	33-2749	
Escort VI	1.8L L4 DSL	33-2627 ♦		Galaxy	2.8L V6 F/I	33-2749	HP-7005
Escort VII	1.3L L4 F/I	E-9091		Ka	1.3L L4 F/I	33-2024 ♦	
Escort VII	1.4L L4 F/I	33-2627 ♦		Lobo	4.6L V8 F/I		HP-2010
Escort VII	1.6L L4 F/I	33-2627 ♦		Maverick	2.4L L4 F/I	33-2031-2	
Escort VII	1.8L L4 DSL	33-2627		Maverick	2.7L L4 DSL	E-9251 ♦	
Escort VII	1.8L L4 F/I	33-2627 ♦		Mondeo II	1.6L L4 F/I	33-2132 ♦	
Escort VII	2.0L L4 F/I	33-2627		Mondeo II	1.8L L4 DSL	33-2697	
Expedition	4.6L V8 F/I	E-0945 ♦	HP-2010	Mondeo II	1.8L L4 F/I	33-2132 ♦	
Expedition	5.4L V8 F/I	E-0945 ♦	HP-2010	Mondeo II	2.0L L4 F/I	33-2132 ♦	
Explorer	4.0L V6 F/I		HP-3001	Mondeo II	2.5L V6 F/I	33-2115-1 ♦	
Explorer	4.0L V6 F/I - w/Panel Filter	33-2106-1 ♦	HP-3001	Motorhome	5.4L V8 F/I - Class C	E-0945	
		33-2106-1 ♦	HP-3001	Mustang	3.8L V6 F/I	E-0940	HP-2009
			HP-3001	Mustang GT	4.6L V8 F/I	E-0945 ♦	HP-2010
			HP-3001	Mustang SVT Cobra	4.6L V8 F/I	E-0945 ♦	HP-2010
			HP-3001	Probe	2.0L L4 F/I - Non-US	33-2676	
			HP-3001	Probe	2.0L L4 F/I - US	33-2049	HP-1006
			HP-3001	Probe	2.5L V6 F/I - Non-US	33-2676	
			HP-2010	Probe	2.5L V6 F/I - US	33-2049 ♦	HP-1010
			HP-2010	Puma	1.4L L4 F/I	33-2804 ♦	
			HP-2010	Puma	1.7L L4 F/I	33-2804 ♦	

\*Indicates 2 filters required      ♦ - Intake kit available      Applications updated daily at [knfilters.com](http://knfilters.com) ®

**Partial Listing - Complete List of Vehicles and Applications at [knfilters.com](http://knfilters.com)**

# FORD

# AIR & OIL FILTERS

Vehicle	Engine Type	Air Filter	Oil Filter	Vehicle	Engine Type	Air Filter	Oil Filter
<b>1997 FORD</b>				<b>1996 FORD</b>			
Ranger	2.3L L4 F/I	E-0995 ♦	HP-3001	E350 Econoline Club Wagon	7.5L V8 F/I	33-2099	HP-3001
Ranger	3.0L V6 F/I	E-0995	HP-2009	Econoline Super Duty	5.8L V8 F/I - w/o oil cooler		HP-3001
Ranger	4.0L V6 F/I		HP-3001	Econoline Super Duty	5.8L V8 F/I - w/oil cooler		HP-2010
Ranger	4.0L V6 F/I - w/Round Filter	E-0995 ♦	HP-3001	Econoline Super Duty	7.3L V8 DSL		HP-6001
Scorpio II	2.0L L4 F/I	33-2664		Econoline Super Duty	7.5L V8 F/I		HP-3001
Scorpio II	2.3L L4 F/I	33-2664		Escort	1.8L L4 F/I	33-2034	HP-1008
Scorpio II	2.5L L4 DSL	33-2013		Escort	1.9L L4 F/I	33-2126	HP-2009
Scorpio II	2.9L V6 F/I	33-2664		Escort Express	1.4L L4 F/I	33-2627 ♦	
Taurus	3.0L V6 F/I	33-2107	HP-2009	Escort Express	1.8L L4 DSL	33-2627	
Taurus	3.4L V8 F/I	33-2107	HP-2009	Escort VI	1.8L L4 DSL	33-2627 ♦	
Taurus LX	3.0L V6 F/I	33-2107	HP-2010	Escort VII	1.3L L4 F/I	E-9091	
Thunderbird	3.8L V6 F/I	33-2033 ♦	HP-2009	Escort VII	1.4L L4 F/I	33-2627 ♦	
Thunderbird	4.6L V8 F/I	33-2033 ♦	HP-2010	Escort VII	1.6L L4 F/I	33-2627 ♦	
Transit	2.0L L4 F/I	33-2739		Escort VII	1.8L L4 DSL	33-2627	
Transit 95	2.5L L4 DSL	33-2739		Escort VII	1.8L L4 F/I	33-2627 ♦	
Windstar	3.0L V6 F/I	33-2024	HP-2009	Escort VII	2.0L L4 F/I	33-2665 ♦	
Windstar	3.8L V6 F/I	E-0995	HP-2009	Explorer	4.0L V6 F/I	E-0995 ♦	HP-3001
<b>1996 FORD</b>				Explorer	5.0L V8 F/I	E-0996 ♦	HP-2010
Aerostar	3.0L V6 F/I	33-2024	HP-2009	F53	7.5L V8 F/I	33-2023	HP-3001
Aerostar	4.0L V6 F/I	33-2024	HP-3001	F150	4.9L L6 F/I	33-2023 ♦	HP-3001
Aspire	1.3L L4 F/I		HP-1008	F150	5.0L V8 F/I	33-2023 ♦	HP-3001
Bronco	5.0L V8 F/I	33-2023 ♦	HP-3001	F150	5.8L V8 F/I	33-2023 ♦	HP-2010
Bronco	5.8L V8 F/I	33-2023 ♦	HP-2010	F250	4.9L L6 F/I	33-2023 ♦	HP-3001
Contour	2.0L L4 F/I	33-2132	HP-2004	F250	5.0L V8 F/I	33-2023 ♦	HP-3001
Contour	2.5L V6 F/I	33-2115-1	HP-2010	F250	5.8L V8 F/I	33-2023 ♦	HP-2010
Crown Victoria	4.6L V8 F/I	33-2272	HP-2010	F250	7.3L V8 DSL	E-1946 ♦	HP-6001
E150 Econoline	4.9L L6 F/I	33-2023	HP-3001	F250	7.5L V8 F/I	33-2023 ♦	HP-3001
E150 Econoline	5.0L V8 F/I	33-2023	HP-3001	F350	4.9L L6 F/I	33-2023 ♦	HP-3001
E150 Econoline	5.8L V8 F/I	33-2023		F350	5.8L V8 F/I	33-2023 ♦	HP-2010
E150 Econoline	5.8L V8 F/I - w/o oil cooler	33-2023	HP-3001	F350	7.3L V8 DSL	E-1946 ♦	HP-6001
E150 Econoline	5.8L V8 F/I - w/oil cooler	33-2023	HP-2010	F350	7.5L V8 F/I	33-2023 ♦	HP-3001
E150 Econoline Club Wagon	4.9L L6 F/I	33-2023	HP-3001	F450	7.3L V8 DSL	E-1946	HP-6001
E150 Econoline Club Wagon	5.0L V8 F/I	33-2023	HP-3001	F450	7.3L V8 DSL - OEM FD4595	E-1946	FF-4595
E150 Econoline Club Wagon	5.8L V8 F/I	33-2023		F450	7.5L V8 F/I	33-2023	HP-3001
E150 Econoline Club Wagon	5.8L V8 F/I - w/o oil cooler	33-2023	HP-3001	Fairmont	4.0L V6 F/I	33-2015	HP-3001
E150 Econoline Club Wagon	5.8L V8 F/I - w/oil cooler	33-2023	HP-2010	Fairmont	5.0L V8 F/I	33-2015	HP-3001
E250 Econoline	4.9L L6 F/I	33-2023	HP-3001	Falcon	4.0L V6 F/I	33-2708	HP-3001
E250 Econoline	5.8L V8 F/I	33-2023		Falcon	5.0L V8 F/I	33-2015	HP-3001
E250 Econoline	5.8L V8 F/I - w/o oil cooler	33-2023	HP-3001	Falcon Outback	4.0L V6 F/I		HP-3001
E250 Econoline	5.8L V8 F/I - w/oil cooler	33-2023	HP-2010	Falcon XR6	4.0L V6 F/I	33-2015	HP-3001
E350 Econoline	4.9L L6 F/I	33-2023	HP-3001	Fiesta	1.3L L4 F/I - Oval Filter	E-9090 ♦	
E350 Econoline	5.8L V8 F/I	33-2023		Fiesta	1.3L L4 F/I - Panel Filter	33-2804 ♦	
E350 Econoline	5.8L V8 F/I - w/o oil cooler	33-2023	HP-3001	Fiesta	1.4L L4 F/I - w/Oval Filter	E-9090 ♦	
E350 Econoline	5.8L V8 F/I - w/oil cooler	33-2023	HP-2010	Fiesta	1.4L L4 F/I - w/Panel Filter	33-2804 ♦	
E350 Econoline	4.9L L6 F/I	33-2023	HP-3001	Fiesta	1.6L L4 F/I	33-2804	
E350 Econoline	5.8L V8 F/I	33-2023		Fiesta III	1.4L L4 F/I	33-2736	
E350 Econoline	5.8L V8 F/I - w/o oil cooler	33-2023	HP-3001	Fiesta IV	1.25L L4 F/I	33-2804 ♦	
E350 Econoline	5.8L V8 F/I - w/oil cooler	33-2023	HP-2010	Fiesta IV	1.3L L4 F/I - w/Oval Filter	E-9090 ♦	
E350 Econoline	7.3L V8 DSL	33-2127*	HP-6001	Fiesta IV	1.3L L4 F/I - w/Panel Filter	33-2804 ♦	
E350 Econoline	7.5L V8 F/I	33-2099	HP-3001	Fiesta IV	1.4L L4 F/I - w/Oval Filter	E-9090 ♦	
E350 Econoline Club Wagon	4.9L L6 F/I	33-2023	HP-3001	Fiesta IV	1.4L L4 F/I - w/Panel Filter	33-2804 ♦	
E350 Econoline Club Wagon	5.8L V8 F/I	33-2023		Fiesta IV	1.8L L4 DSL	33-2804	
E350 Econoline Club Wagon	5.8L V8 F/I - w/o oil cooler	33-2023	HP-3001	Galaxy	1.9L L4 DSL	33-2749	
E350 Econoline Club Wagon	5.8L V8 F/I - w/oil cooler	33-2023	HP-2010	Galaxy	2.0L L4 F/I	33-2749	
E350 Econoline Club Wagon	5.8L V8 F/I - w/oil cooler	33-2023	HP-2010	Galaxy	2.3L L4 F/I	33-2749	
E350 Econoline Club Wagon	7.3L V8 DSL	33-2127*	HP-6001	Galaxy	2.8L V6 F/I	33-2749	HP-7005
				Ka	1.3L L4 F/I	33-2024 ♦	

\*Indicates 2 filters required

♦ - Intake kit available

Applications updated daily at [knfilters.com](http://knfilters.com) ®



# AIR & OIL FILTERS

# FORD

Vehicle	Engine Type	Air Filter	Oil Filter	Vehicle	Engine Type	Air Filter	Oil Filter
<b>1996 FORD</b>				<b>1995 FORD</b>			
Maverick	2.4L L4 F/I	33-2031-2		E350 Econoline Club Wagon	7.3L V8 DSL	33-2127*	HP-6001
Maverick	2.7L L4 DSL	38-9150 ♦		E350 Econoline Club Wagon	7.5L V8 F/I	33-2023	HP-3001
		E-9251 ♦		Escort	1.8L L4 F/I	33-2034 ♦	HP-1008
Mondeo I	1.6L L4 F/I	33-2132 ♦		Escort	1.9L L4 F/I	33-2126	HP-2009
Mondeo I	1.8L L4 DSL	33-2697 ♦		Escort Express	1.4L L4 F/I	33-2627 ♦	
Mondeo I	1.8L L4 F/I	33-2132 ♦		Escort Express	1.8L L4 DSL	33-2627	
Mondeo I	2.0L L4 F/I	33-2132 ♦		Escort VI	1.3L L4 F/I	E-9091	
Mondeo I	2.5L V6 F/I	33-2115-1 ♦		Escort VI	1.4L L4 F/I	E-9091 ♦	
Mondeo II	1.6L L4 F/I	33-2132 ♦		Escort VI	1.6L L4 F/I	33-2627 ♦	
Mondeo II	1.8L L4 DSL	33-2697 ♦		Escort VI	1.8L L4 DSL	33-2627 ♦	
Mondeo II	1.8L L4 F/I	33-2132 ♦		Escort VI	1.8L L4 F/I	33-2627 ♦	
Mondeo II	2.0L L4 F/I	33-2132 ♦		Escort VI	2.0L L4 F/I - 150BHP	33-2627 ♦	
Mondeo II	2.5L V6 F/I	33-2115-1 ♦		Escort VI	2.0L L4 F/I - 220BHP	33-2665 ♦	
Mustang	3.8L V6 F/I	E-0940	HP-2009	Escort VII	1.3L L4 F/I	E-9091	
Mustang GT	4.6L V8 F/I	E-0945 ♦	HP-2010	Escort VII	1.4L L4 F/I	33-2627 ♦	
Mustang SVT Cobra	4.6L V8 F/I	E-0945 ♦	HP-2010	Escort VII	1.6L L4 F/I	33-2627 ♦	
Probe	2.0L L4 F/I - Non-US	33-2676		Escort VII	1.8L L4 DSL	33-2627	
Probe	2.0L L4 F/I - US	33-2049	HP-1006	Escort VII	1.8L L4 F/I	33-2627 ♦	
Probe	2.5L V6 F/I - Non-US	33-2676		Escort VII	2.0L L4 F/I	33-2627 ♦	
Probe	2.5L V6 F/I - US	33-2049 ♦	HP-1010	Explorer	4.0L V6 F/I	E-0995 ♦	HP-3001
Ranger	2.3L L4 F/I	E-0995 ♦	HP-3001	F53	7.5L V8 F/I	33-2023	HP-3001
Ranger	3.0L V6 F/I	E-0995	HP-2009	F150	4.9L L6 F/I	33-2023 ♦	HP-3001
Ranger	4.0L V6 F/I	E-0995 ♦	HP-3001	F150	5.0L V8 F/I	33-2023 ♦	HP-3001
Scorpio II	2.0L L4 F/I	33-2664		F150	5.8L V8 F/I	33-2023 ♦	HP-2010
Scorpio II	2.3L L4 F/I	33-2664		F150 Lightning	5.8L V8 F/I	33-2023 ♦	HP-2010
Scorpio II	2.5L L4 DSL	33-2013		F250	4.9L L6 F/I	33-2023 ♦	HP-3001
Scorpio II	2.9L V6 F/I	33-2664		F250	5.0L V8 F/I	33-2023 ♦	HP-3001
Taurus	3.0L V6 F/I	33-2107	HP-2009	F250	5.8L V8 F/I	33-2023 ♦	HP-2010
Taurus	3.4L V8 F/I	33-2107	HP-2009	F250	7.3L V8 DSL	E-1946 ♦	HP-6001
Taurus LX	3.0L V6 F/I	33-2107	HP-2010	F250	7.5L V8 F/I	33-2023 ♦	HP-3001
Thunderbird	3.8L V6 F/I	33-2033 ♦	HP-2009	F250	4.9L L6 F/I	33-2023 ♦	HP-3001
Thunderbird	4.6L V8 F/I	33-2033 ♦	HP-2010	F350	5.8L V8 F/I	33-2023 ♦	HP-2010
Transit	2.0L L4 F/I	33-2739		F350	7.3L V8 DSL	E-1946 ♦	HP-6001
Transit 95	2.5L L4 DSL	33-2739		F350	7.5L V8 F/I	33-2023 ♦	HP-3001
Windstar	3.0L V6 F/I	33-2024	HP-2009	F450	7.3L V8 DSL	E-1946	HP-6001
Windstar	3.8L V6 F/I	E-0995	HP-2009	F450	7.3L V8 DSL - OEM FD4595	E-1946	FF-4595
<b>1995 FORD</b>							
Aerostar	3.0L V6 F/I	33-2024	HP-2009	F450	7.5L V8 F/I	33-2023	HP-3001
Aerostar	4.0L V6 F/I	33-2024	HP-3001	Fairmont	4.0L V6 F/I	33-2015	HP-3001
Aspire	1.3L L4 F/I		HP-1004	Fairmont	5.0L V8 F/I	33-2015	HP-3001
Bronco	5.0L V8 F/I	33-2023 ♦	HP-3001	Falcon	4.0L V6 F/I	33-2015	HP-3001
Bronco	5.8L V8 F/I	33-2023 ♦	HP-2010	Falcon	5.0L V8 F/I	33-2708	HP-3001
Contour	2.0L L4 F/I	33-2132	HP-2004	Falcon	4.0L V6 F/I	33-2015	HP-3001
Contour	2.5L V6 F/I	33-2115-1	HP-2010	Falcon Outback	4.0L V6 F/I		HP-3001
Crown Victoria	4.6L V8 F/I	33-2272	HP-2010	Falcon XR6	4.0L V6 F/I	33-2015	HP-3001
E150 Econoline	4.9L L6 F/I	33-2023	HP-3001	Fiesta	1.3L L4 F/I	E-9091 ♦	
E150 Econoline	5.0L V8 F/I	33-2023	HP-3001	Fiesta	1.3L L4 F/I - Oval Filter	E-9090 ♦	
E150 Econoline	5.8L V8 F/I	33-2023	HP-3001	Fiesta	1.8L L4 DSL	33-2735	
E150 Econoline Club Wagon	4.9L L6 F/I	33-2023	HP-3001	Fiesta III	1.0L L4 CARB	E-9092	
E150 Econoline Club Wagon	5.0L V8 F/I	33-2023	HP-3001	Fiesta III	1.1L L4 F/I	E-9092	
E150 Econoline Club Wagon	5.8L V8 F/I	33-2023	HP-3001	Fiesta III	1.3L L4 F/I	E-9091	
E250 Econoline	4.9L L6 F/I	33-2023	HP-3001	Fiesta III	1.4L L4 F/I	33-2736	
E250 Econoline	5.8L V8 F/I	33-2023	HP-3001	Fiesta III	1.6L L4 F/I	33-2663 ♦	
E350 Econoline	4.9L L6 F/I	33-2023	HP-3001	Fiesta III	1.8L L4 DSL	33-2735	
E350 Econoline	5.8L V8 F/I	33-2023	HP-3001	Fiesta III	1.8L L4 F/I	33-2663 ♦	
E350 Econoline	7.3L V8 DSL	33-2127*	HP-6001	Fiesta IV	1.25L L4 F/I	33-2804 ♦	
E350 Econoline	7.5L V8 F/I	33-2023	HP-3001	Fiesta IV	1.3L L4 F/I - w/Oval Filter	E-9090 ♦	
E350 Econoline Club Wagon	4.9L L6 F/I	33-2023	HP-3001	Fiesta IV	1.3L L4 F/I - w/Panel Filter	33-2804 ♦	
E350 Econoline Club Wagon	5.8L V8 F/I	33-2023	HP-3001	Fiesta IV	1.8L L4 DSL	33-2804	
				Galaxy	2.0L L4 F/I	33-2749	
				Galaxy	2.8L V6 F/I	33-2749	HP-7005

\*Indicates 2 filters required      ♦ - Intake kit available      Applications updated daily at [knfilters.com](http://knfilters.com) ®

**Partial Listing - Complete List of Vehicles and Applications at [knfilters.com](http://knfilters.com)**

# FORD

# AIR & OIL FILTERS

Vehicle	Engine Type	Air Filter	Oil Filter	Vehicle	Engine Type	Air Filter	Oil Filter
<b>1995 FORD</b>				<b>1994 FORD</b>			
Maverick	2.4L L4 F/I	33-2031-2		E350 Econoline Club Wagon	7.5L V8 F/I	33-2023	HP-3001
Maverick	2.7L L4 DSL	38-9150		Escort	1.8L L4 F/I	33-2034 ♦	HP-1008
Mondeo I	1.6L L4 F/I	33-2132		Escort	1.9L L4 EFI	33-2126	HP-2009
Mondeo I	1.8L L4 DSL	33-2697 ♦		Escort Express	1.3L L4 CARB	E-9091	
Mondeo I	1.8L L4 F/I	33-2132 ♦		Escort Express	1.4L L4 F/I	E-9091 ♦	
Mondeo I	2.0L L4 F/I	33-2132 ♦		Escort Express	1.8L L4 DSL	33-2627	
Mondeo I	2.5L V6 F/I	33-2115-1 ♦		Escort VI	1.3L L4 F/I	E-9091	
Motorhome	4.9L L6 F/I - Class C	33-2023		Escort VI	1.4L L4 F/I	E-9091 ♦	
Motorhome	5.0L V8 F/I - Class C	33-2023		Escort VI	1.6L L4 F/I	33-2627 ♦	
Motorhome	5.8L V8 F/I - Class C	33-2023		Escort VI	1.8L L4 DSL	33-2627 ♦	
Motorhome	7.5L V8 F/I - Class C	33-2023		Escort VI	1.8L L4 F/I	33-2627 ♦	
Mustang	3.8L V6 F/I	E-0940	HP-2009	Escort VI	2.0L L4 F/I - 150BHP	33-2627 ♦	
Mustang	5.0L V8 F/I	E-0940 ♦	HP-3001	Escort VI	2.0L L4 F/I - 220BHP	33-2665 ♦	
Mustang	5.8L V8 F/I	E-0945		Explorer	4.0L V6 F/I	33-2024	HP-3001
Mustang SVT Cobra	5.0L V8 F/I	E-0940 ♦	HP-2004	F53	7.5L V8 F/I	33-2023	HP-3001
Probe	2.0L L4 F/I - Non-US	33-2676		F59	7.3L V8 DSL - VIN F	E-1946	HP-6001
Probe	2.0L L4 F/I - US	33-2049	HP-1006	F150	4.9L L6 F/I	33-2023 ♦	HP-3001
Probe	2.5L V6 F/I - Non-US	33-2676		F150	5.0L V8 F/I	33-2023 ♦	HP-3001
Probe	2.5L V6 F/I - US	33-2049 ♦	HP-1010	F150	5.8L V8 F/I	33-2023 ♦	HP-2010
Ranger	2.3L L4 F/I	E-0995 ♦	HP-3001	F150 Lightning	5.8L V8 F/I	33-2023 ♦	HP-2010
Ranger	3.0L V6 F/I	E-0995	HP-2009	F250	4.9L L6 F/I	33-2023 ♦	HP-3001
Ranger	4.0L V6 F/I	E-0995 ♦	HP-3001	F250	5.0L V8 F/I	33-2023 ♦	HP-3001
Scorpio II	2.0L L4 F/I	33-2664		F250	5.8L V8 F/I	33-2023 ♦	HP-2010
Scorpio II	2.5L L4 DSL	33-2013		F250	7.3L V8 DSL - VIN F	E-1946 ♦	HP-6001
Scorpio II	2.9L V6 F/I	33-2664		F250	7.3L V8 DSL - VIN K	33-2088	HP-4002
Taurus	3.0L V6 F/I	33-2024	HP-2009	F250	7.3L V8 DSL - VIN M	E-1460	HP-4002
Taurus	3.8L V6 F/I	33-2024	HP-2009	F250	7.5L V8 F/I	33-2023 ♦	HP-3001
Taurus SHO	3.0L V6 F/I	33-2040	HP-2009	F350	4.9L L6 F/I	33-2023 ♦	HP-3001
Taurus SHO	3.2L V6 F/I	33-2040	HP-2009	F350	5.8L V8 F/I	33-2023 ♦	HP-2010
Thunderbird	3.8L V6 F/I	33-2033	HP-2009	F350	7.3L V8 DSL - VIN F	E-1946 ♦	HP-6001
		33-2033 ♦	HP-2009	F350	7.3L V8 DSL - VIN K	33-2088	HP-4002
Thunderbird	4.6L V8 F/I	33-2033 ♦	HP-2010	F350	7.3L V8 DSL - VIN M	E-1460	HP-4002
Transit	2.0L L4 F/I	33-2739		F350	7.5L V8 F/I	33-2023 ♦	HP-3001
Transit 95	2.5L L4 DSL	33-2739		F450	7.3L V8 DSL	E-1460	HP-4002
Windstar	3.0L V6 F/I	33-2024	HP-2009	F450	7.3L V8 DSL - OEM	E-1460	FF-4595
Windstar	3.8L V6 F/I		HP-2009	F450	7.5L V8 F/I	33-2023	HP-3001
				Fairmont	3.9L V6 F/I	33-2708	HP-3001
				Fairmont	4.0L V6 F/I	33-2708	HP-3001
				Fairmont	5.0L V8 F/I	33-2015	HP-3001
				Falcon	3.9L V6 F/I	33-2708	HP-3001
				Falcon	4.0L V6 MPI	33-2708	HP-3001
				Falcon	5.0L V8 F/I	33-2015	HP-3001
				Falcon Outback	4.0L V6 MPI		HP-3001
				Fiesta	1.3L L4 F/I	E-9091	
				Fiesta	1.8L L4 DSL - from 2/94	33-2735	
				Fiesta	1.8L L4 DSL - to 2/94	33-2564	
				Fiesta III	1.0L L4 CARB	E-9092	
				Fiesta III	1.1L L4 F/I	E-9092	
				Fiesta III	1.3L L4 F/I	E-9091	
				Fiesta III	1.4L L4 F/I	33-2736	
				Fiesta III	1.6L L4 F/I	33-2663 ♦	
				Fiesta III	1.8L L4 DSL - from 2/94	33-2735	
				Fiesta III	1.8L L4 DSL - to 2/94	33-2564	
				Fiesta III	1.8L L4 F/I	33-2663 ♦	
				Granada	2.0L L4 CARB - DOHC	E-9110	
				Granada	2.9L V6 F/I - 24v, Cosworth	33-2013 ♦	
						33-2664 ♦	
				Maverick	2.4L L4 F/I	33-2031-2	
				Maverick	2.7L L4 DSL	38-9150	
				Mondeo I	1.6L L4 F/I	33-2132	

\*Indicates 2 filters required

♦ - Intake kit available

Applications updated daily at [knfilters.com](http://knfilters.com) ®

# AIR & OIL FILTERS

# FORD

Vehicle	Engine Type	Air Filter	Oil Filter	Vehicle	Engine Type	Air Filter	Oil Filter
<b>1994 FORD</b>				<b>1993 FORD</b>			
Mondeo I	1.8L L4 DSL	33-2697 ♦		E350 Econoline Club Wagon	7.3L V8 DSL	E-1461	HP-4002
Mondeo I	1.8L L4 F/I	33-2132 ♦		E350 Econoline Club Wagon	7.5L V8 F/I	33-2023	HP-3001
Mondeo I	2.0L L4 F/I	33-2132 ♦		Escort	1.8L L4 F/I	33-2034	HP-1008
Mondeo I	2.5L V6 F/I	33-2115-1 ♦		Escort	1.9L L4 EFI	33-2126	HP-2009
Motorhome	4.9L L6 F/I - Class C	33-2023		Escort Express	1.3L L4 CARB	E-9091	
Motorhome	5.0L V8 F/I - Class C	33-2023		Escort Express	1.4L L4 F/I	E-9091 ♦	
Motorhome	5.8L V8 F/I - Class C	33-2023		Escort Express	1.8L L4 DSL	33-2627	
Motorhome	7.5L V8 F/I - Class C	33-2023		Escort GT	1.8L L4 F/I	33-2034 ♦	HP-1008
Mustang	3.8L V6 F/I	E-0940	HP-2009	Escort VI	1.3L L4 F/I	E-9091	
Mustang	5.0L V8 F/I	E-0940 ♦	HP-3001	Escort VI	1.4L L4 F/I	E-9091 ♦	
Mustang SVT Cobra	5.0L V8 F/I	E-0940 ♦	HP-2004	Escort VI	1.6L L4 F/I	33-2627 ♦	
Probe	2.0L L4 F/I - Non-US, from 3/94	33-2676		Escort VI	1.8L L4 DSL	33-2627 ♦	
Probe	2.0L L4 F/I - US	33-2049	HP-1006	Escort VI	1.8L L4 F/I	33-2627 ♦	
Probe	2.5L V6 F/I - Non-US, from 3/94	33-2676		Escort VI	2.0L L4 F/I - 150BHP	33-2627 ♦	
Probe	2.5L V6 F/I - US	33-2049 ♦	HP-1010	Escort VI	2.0L L4 F/I - 220BHP	33-2665 ♦	
Ranger	2.3L L4 F/I	33-2024	HP-3001	Explorer	4.0L V6 F/I	33-2024	HP-3001
Ranger	3.0L V6 F/I	33-2024	HP-2009	F53	7.5L V8 F/I	33-2023	HP-3001
Ranger	4.0L V6 F/I	33-2024	HP-3001	F59	7.3L V8 DSL		HP-4002
Scorpio	2.0L L4 F/I - to 9/94	33-2013		F59	7.3L V8 DSL - exc. Turbo	E-1460	HP-4002
Scorpio	2.9L V6 F/I - 12v, to 9/94	33-2013		F59	7.3L V8 DSL - Turbo	33-2088	HP-4002
Scorpio	2.9L V6 F/I - 24v, to 9/94	33-2664		F150	4.9L L6 F/I	33-2023 ♦	HP-3001
Scorpio II	2.0L L4 F/I - from 10/94	33-2664		F150	5.0L V8 F/I	33-2023 ♦	HP-3001
Scorpio II	2.9L V6 F/I	33-2664		F150	5.8L V8 F/I	33-2023 ♦	HP-3001
Taurus	3.0L V6 F/I	33-2024	HP-2009	F150 Lightning	5.8L V8 F/I	33-2023 ♦	HP-3001
Taurus	3.8L V6 F/I	33-2024	HP-2009	F250	4.9L L6 F/I	33-2023	HP-3001
Taurus SHO	3.0L V6 F/I	33-2040	HP-2009	F250	5.0L V8 F/I	33-2023	HP-3001
Taurus SHO	3.2L V6 F/I	33-2040	HP-2009	F250	5.8L V8 F/I	33-2023 ♦	HP-3001
Tempo	2.3L L4 F/I	33-2107	HP-2004	F250	7.3L V8 DSL		HP-4002
Tempo	3.0L V6 F/I		HP-2009	F250	7.3L V8 DSL - exc. Turbo	E-1460	HP-4002
Thunderbird	3.8L V6 F/I	33-2033	HP-2009	F250	7.3L V8 DSL - Turbo	33-2088	HP-4002
		33-2033 ♦	HP-2009	F250	7.5L V8 F/I	33-2023 ♦	HP-3001
Thunderbird	4.6L V8 F/I	33-2033 ♦	HP-2010	F350	4.9L L6 F/I	33-2023	HP-3001
Transit	2.9L V6 F/I	33-2739		F350	5.8L V8 F/I	33-2023 ♦	HP-3001
Transit 92	2.0L L4 CARB - 90BHP	E-9031		F350	7.3L V8 DSL		HP-4002
Transit 92	2.5L L4 DSL - 80BHP	33-2739		F350	7.3L V8 DSL - exc. Turbo	E-1460	HP-4002
Transit 92	2.5L L4 DSL - Exc., 80BHP	33-2512		F350	7.3L V8 DSL - Turbo	33-2088	HP-4002
Transit 95	2.5L L4 DSL	33-2739		F350	7.5L V8 F/I	33-2023 ♦	HP-3001
				F450	7.3L V8 DSL		HP-4002
				F450	7.3L V8 DSL - exc. Turbo	E-1460	HP-4002
				F450	7.3L V8 DSL - Turbo	33-2088	HP-4002
<b>1993 FORD</b>				<b>1993 FORD</b>			
Aerostar	3.0L V6 F/I	33-2024	HP-2009	F450	7.5L V8 F/I	33-2023	HP-3001
Aerostar	4.0L V6 F/I	33-2024	HP-3001	Fairmont	3.9L V6 F/I	33-2708	HP-3001
Bronco	5.0L V8 F/I	33-2023 ♦	HP-3001	Fairmont	4.0L V6 F/I	33-2708	HP-3001
Bronco	5.8L V8 F/I	33-2023 ♦	HP-3001	Fairmont	5.0L V8 F/I	33-2015	HP-3001
Crown Victoria	4.6L V8 F/I	33-2272	HP-2010	Falcon	3.9L V6 F/I	33-2708	HP-3001
E150 Econoline	4.9L L6 F/I	33-2023	HP-3001	Falcon	4.0L V6 MPI	33-2708	HP-3001
E150 Econoline	5.0L V8 F/I	33-2023	HP-3001	Falcon	5.0L V8 F/I	33-2015	HP-3001
E150 Econoline	5.8L V8 F/I	33-2023	HP-3001	Falcon Outback	4.0L V6 MPI		HP-3001
E150 Econoline Club Wagon	4.9L L6 F/I	33-2023	HP-3001	Festiva	1.3L L4 F/I		HP-1004
E150 Econoline Club Wagon	5.0L V8 F/I	33-2023	HP-3001	Fiesta	1.3L L4 F/I	E-9091	
E150 Econoline Club Wagon	5.8L V8 F/I	33-2023	HP-3001	Fiesta	1.8L L4 DSL	33-2564	
E250 Econoline	4.9L L6 F/I	33-2023	HP-3001	Fiesta III	1.0L L4 CARB	E-9092	
E250 Econoline	5.8L V8 F/I	33-2023	HP-3001	Fiesta III	1.1L L4 F/I	E-9092	
E350 Econoline	4.9L L6 F/I	33-2023	HP-3001	Fiesta III	1.3L L4 F/I	E-9091	
E350 Econoline	5.8L V8 F/I	33-2023	HP-3001	Fiesta III	1.4L L4 F/I	E-9091	
E350 Econoline	7.3L V8 DSL	E-1461	HP-4002	Fiesta III	1.6L L4 F/I	33-2564 ♦	
E350 Econoline	7.5L V8 F/I	33-2023	HP-3001	Fiesta III	1.8L L4 DSL	33-2564	
E350 Econoline Club Wagon	4.9L L6 F/I	33-2023	HP-3001	Fiesta III	1.8L L4 F/I	33-2663	
E350 Econoline Club Wagon	5.8L V8 F/I	33-2023	HP-3001	Granada	2.0L L4 CARB - DOHC	E-9110	
E350 Econoline Club Wagon	5.8L V8 F/I	33-2023	HP-3001	Granada	2.4L V6 F/I	33-2013	

\*Indicates 2 filters required      ♦ - Intake kit available      Applications updated daily at [knfilters.com](http://knfilters.com) ®

**Partial Listing - Complete List of Vehicles and Applications at [knfilters.com](http://knfilters.com)**

# FORD

# AIR & OIL FILTERS

Vehicle	Engine Type	Air Filter	Oil Filter	Vehicle	Engine Type	Air Filter	Oil Filter
<b>1993 FORD</b>				<b>1992 FORD</b>			
Granada	2.9L V6 F/I - 24v Cosworth	33-2013 ♦		E150 Econoline Club Wagon	5.0L V8 F/I	33-2023	HP-3001
Maverick	2.4L L4 F/I	33-2031-2		E150 Econoline Club Wagon	5.8L V8 F/I	33-2023	HP-3001
Maverick	2.7L L4 DSL	38-9150		E250 Econoline	4.9L L6 F/I	33-2023	HP-3001
Mondeo I	1.6L L4 F/I	33-2132		E250 Econoline	5.8L V8 F/I	33-2023	HP-3001
Mondeo I	1.8L L4 DSL	33-2697 ♦		E350 Econoline	5.8L V8 F/I	33-2023	HP-3001
Mondeo I	1.8L L4 F/I	33-2132 ♦		E350 Econoline	7.3L V8 DSL	E-1461	HP-4002
Mondeo I	2.0L L4 F/I	33-2132 ♦		E350 Econoline	7.5L V8 F/I	33-2023	HP-3001
Motorhome	4.9L L6 F/I - Class C	33-2023		E350 Econoline Club Wagon	4.9L L6 F/I	33-2023	HP-3001
Motorhome	5.0L V8 F/I - Class C	33-2023		E350 Econoline Club Wagon	5.8L V8 F/I	33-2023	HP-3001
Motorhome	5.8L V8 F/I - Class C	33-2023		E350 Econoline Club Wagon	7.3L V8 DSL	E-1461	HP-4002
Motorhome	7.3L V8 DSL - Class C	E-1461		E350 Econoline Club Wagon	7.5L V8 F/I	33-2023	HP-3001
Motorhome	7.5L V8 F/I - Class C	33-2023		E350 Econoline Club Wagon	7.3L V8 DSL	E-1461	HP-4002
Mustang	2.3L L4 F/I	33-2044	HP-3001	E350 Econoline Club Wagon	7.5L V8 F/I	33-2023	HP-3001
Mustang	5.0L V8 F/I	33-2015 ♦	HP-3001	Escort	1.8L L4 F/I	33-2034	HP-1008
Orion III	1.6L L4 CARB	E-9091		Escort	1.9L L4 EFI	33-2126	HP-2009
Orion III	1.6L L4 F/I	33-2627		Escort Express	1.3L L4 CARB	E-9091	
Orion III	1.8L L4 DSL	33-2627		Escort Express	1.4L L4 F/I	E-9091 ♦	
Orion III	1.8L L4 F/I	33-2627		Escort Express	1.8L L4 DSL	33-2627	
Probe	2.0L L4 F/I	33-2049	HP-1006	Escort GT	1.8L L4 F/I	33-2034 ♦	HP-1008
Probe	2.5L V6 F/I	33-2049 ♦	HP-1010	Escort V	1.3L L4 F/I	E-9091	
Ranger	2.3L L4 F/I	33-2024	HP-3001	Escort V	1.4L L4 F/I	E-9091 ♦	
Ranger	3.0L V6 F/I	33-2024	HP-2009	Escort V	1.6L L4 CARB	E-9091	
Ranger	4.0L V6 F/I	33-2024	HP-3001	Escort V	1.6L L4 F/I	33-2627	
Scorpio	2.0L L4 F/I	33-2013		Escort V	1.8L L4 DSL	33-2627	
Scorpio	2.9L V6 F/I - 12v	33-2013 ♦		Escort V	1.8L L4 F/I	33-2627 ♦	
Scorpio	2.9L V6 F/I - 24v	33-2664 ♦		Escort V	2.0L L4 F/I	33-2627 ♦	
Sierra	1.6L L4 CARB - 2 stage	E-9176		Escort V	1.3L L4 F/I	E-9091	
Sierra	1.6L L4 CARB - CV	E-1080		Escort VI	1.4L L4 F/I	E-9091 ♦	
Sierra	1.6L L4 F/I	E-1220		Escort VI	1.6L L4 F/I	33-2627 ♦	
Sierra	1.8L L4 CARB - CVH	E-1220		Escort VI	1.8L L4 F/I	33-2627 ♦	
Sierra	1.8L L4 CARB - Exc., CVH	E-1450		Escort VI	2.0L L4 F/I - 150BHP	33-2627 ♦	
Sierra	1.8L L4 DSL	33-2013		Escort VI	2.0L L4 F/I - 220BHP	33-2665 ♦	
Sierra	2.0L L4 CARB	E-9176		Explorer	4.0L V6 F/I	33-2024	HP-3001
Sierra	2.0L L4 F/I - 220BHP	33-2532 ♦		F53	7.5L V8 F/I	33-2023	HP-3001
Sierra	2.0L L4 F/I - Exc., 220BHP	33-2013 ♦		F59	7.3L V8 DSL	E-1460	HP-4002
Sierra	2.9L V6 F/I	33-2013 ♦		F150	4.9L L6 F/I	33-2023 ♦	HP-3001
Taurus	3.0L V6 F/I	33-2024	HP-2009	F150	5.0L V8 F/I	33-2023 ♦	HP-3001
Taurus	3.8L V6 F/I	33-2024	HP-2009	F150	5.8L V8 F/I	33-2023 ♦	HP-3001
Taurus SHO	3.0L V6 F/I	33-2040	HP-2009	F250	4.9L L6 F/I	33-2023	HP-3001
Taurus SHO	3.2L V6 F/I	33-2040	HP-2009	F250	5.0L V8 F/I	33-2023	HP-3001
Tempo	2.3L L4 F/I	33-2107	HP-2004	F250	5.8L V8 F/I	33-2023 ♦	HP-3001
Tempo	3.0L V6 F/I		HP-2009	F250	7.3L V8 DSL	E-1460	HP-4002
Thunderbird	3.8L V6 F/I	33-2033	HP-2009	F250	7.5L V8 F/I	33-2023 ♦	HP-3001
Thunderbird		33-2033 ♦	HP-2009	F350	4.9L L6 F/I	33-2023	HP-3001
Thunderbird	5.0L V8 F/I	33-2033 ♦	HP-3001	F350	5.8L V8 F/I	33-2023 ♦	HP-3001
Transit 92	2.0L L4 CARB - 90BHP	E-9031		F350	7.3L V8 DSL	E-1460	HP-4002
Transit 92	2.5L L4 DSL - 80BHP	33-2739		F350	7.5L V8 F/I	33-2023 ♦	HP-3001
Transit 92	2.5L L4 DSL - Exc., 80BHP	33-2512		F450	7.3L V8 DSL	E-1460	HP-4002
<b>1992 FORD</b>				F450	7.5L V8 F/I	33-2023	HP-3001
Aerostar	3.0L V6 F/I	33-2024	HP-2009	Fairmont	3.9L V6 F/I	33-2708	HP-3001
Aerostar	4.0L V6 F/I	33-2024	HP-3001	Fairmont	4.0L V6 F/I	33-2708	HP-3001
Bronco	4.9L L6 F/I	33-2023 ♦	HP-3001	Fairmont	5.0L V8 F/I	33-2015	HP-3001
Bronco	5.0L V8 F/I	33-2023 ♦	HP-3001	Falcon	3.9L V6 F/I	33-2708	HP-3001
Bronco	5.8L V8 F/I	33-2023 ♦	HP-3001	Falcon	4.0L V6 MPI	33-2708	HP-3001
Crown Victoria	4.6L V8 F/I	33-2272	HP-2010	Falcon	5.0L V8 F/I	33-2015	HP-3001
E150 Econoline	4.9L L6 F/I	33-2023	HP-3001	Festiva	1.3L L4 F/I		HP-1004
E150 Econoline	5.0L V8 F/I	33-2023	HP-3001	Fiesta	1.3L L4 F/I	E-9091	
E150 Econoline	5.8L V8 F/I	33-2023	HP-3001	Fiesta III	1.1L L4 F/I	E-9092	
E150 Econoline Club Wagon	4.9L L6 F/I	33-2023	HP-3001	Fiesta III	1.3L L4 F/I	E-9091	
				Fiesta III	1.4L L4 F/I	E-9091	
				Fiesta III	1.6L L4 F/I	33-2564 ♦	

\*Indicates 2 filters required

♦ - Intake kit available

Applications updated daily at [knfilters.com](http://knfilters.com) ®

# AIR & OIL FILTERS

# FORD

Vehicle	Engine Type	Air Filter	Oil Filter	Vehicle	Engine Type	Air Filter	Oil Filter
<b>1992 FORD</b>				<b>1991 FORD</b>			
Fiesta III	1.8L L4 DSL	33-2564		E250 Econoline Club Wagon	5.8L V8 F/I	33-2023	HP-3001
Fiesta III	1.8L L4 F/I - from 2/92	33-2663		E350 Econoline	4.9L L6 F/I	33-2023	HP-3001
Granada	2.9L V6 F/I - 4WD	33-2013 ♦		E350 Econoline	5.8L V8 F/I	33-2023	HP-3001
Motorhome	5.0L V8 F/I - Class C	33-2023		E350 Econoline	7.3L V8 DSL	E-1460	HP-4002
Motorhome	5.8L V8 F/I - Class C	33-2023		E350 Econoline	7.5L V8 F/I	33-2023	HP-3001
Motorhome	7.3L V8 DSL - Class C	E-1461		E350 Econoline Club Wagon	4.9L L6 F/I	33-2023	HP-3001
Motorhome	7.5L V8 F/I - Class C	33-2023		E350 Econoline Club Wagon	5.8L V8 F/I	33-2023	HP-3001
Mustang	2.3L L4 F/I	33-2044	HP-3001	E350 Econoline Club Wagon	7.3L V8 DSL	E-1460	HP-4002
Mustang	5.0L V8 F/I	33-2015 ♦	HP-3001	E350 Econoline Club Wagon	7.5L V8 F/I	33-2023	HP-3001
Orion III	1.4L L4 F/I	E-9091 ♦		Escort	1.8L L4 F/I	33-2034 ♦	HP-1008
Orion III	1.6L L4 CARB	E-9091		Escort	1.9L L4 EFI	33-2126	HP-2009
Orion III	1.6L L4 F/I	33-2627		Escort Express	1.8L L4 DSL	33-2627	
Orion III	1.8L L4 DSL	33-2627		Escort V	1.3L L4 F/I	E-9091	
Orion III	1.8L L4 F/I	33-2627		Escort V	1.4L L4 F/I	E-9091 ♦	
Probe	2.2L L4 F/I	33-2026	HP-1010	Escort V	1.6L L4 CARB	E-9091	
Probe	3.0L V6 F/I	33-2026	HP-2009	Escort V	1.6L L4 F/I	33-2627 ♦	
Ranger	2.3L L4 F/I	33-2024	HP-3001	Escort V	1.8L L4 DSL	33-2627	
Ranger	2.9L V6 F/I	33-2024	HP-3001	Escort V	1.8L L4 F/I	33-2627 ♦	
Ranger	3.0L V6 F/I	33-2024	HP-2009	Escort V	2.0L L4 F/I	33-2627 ♦	
Ranger	4.0L V6 F/I	33-2024	HP-3001	Explorer	4.0L V6 F/I	33-2024	HP-3001
Scorpio	2.0L L4 F/I	33-2013		F53	7.5L V8 F/I	33-2023	HP-3001
Scorpio	2.5L L4 DSL - 69BHP	E-3740		F150	4.9L L6 F/I	33-2023 ♦	HP-3001
Scorpio	2.9L V6 F/I - 12v	33-2013 ♦		F150	5.0L V8 F/I	33-2023 ♦	HP-3001
Scorpio	2.9L V6 F/I - 24v	33-2664 ♦		F150	5.8L V8 F/I	33-2023 ♦	HP-3001
Sierra	1.6L L4 CARB - 2 stage	E-9176		F250	4.9L L6 F/I	33-2023 ♦	HP-3001
Sierra	1.6L L4 CARB - CV	E-1080		F250	5.0L V8 F/I	33-2023 ♦	HP-3001
Sierra	1.6L L4 F/I	E-1220		F250	5.8L V8 F/I	33-2023 ♦	HP-3001
Sierra	1.8L L4 CARB - CVH	E-1220		F250	4.9L L6 F/I	33-2023 ♦	HP-3001
Sierra	1.8L L4 CARB - Exc., CVH	E-1450		F250	5.0L V8 F/I	33-2023	HP-3001
Sierra	1.8L L4 DSL	33-2013		F250	5.8L V8 F/I	33-2023 ♦	HP-3001
Sierra	2.0L L4 CARB	E-9176		F250	7.3L V8 DSL	E-1460	HP-4002
Sierra	2.0L L4 F/I - 220BHP	33-2532 ♦		F250	7.5L V8 F/I	33-2023 ♦	HP-3001
Sierra	2.0L L4 F/I - Exc., 220BHP	33-2013 ♦		F350	4.9L L6 F/I	33-2023	HP-3001
Sierra	2.9L V6 F/I	33-2013 ♦		F350	5.8L V8 F/I	33-2023 ♦	HP-3001
Taurus	3.0L V6 F/I	33-2024	HP-2009	F350	7.3L V8 DSL	E-1460	HP-4002
Taurus	3.8L V6 F/I	33-2024	HP-2009	F350	7.5L V8 F/I	33-2023 ♦	HP-3001
Taurus SHO	3.0L V6 F/I	33-2040	HP-2009	F450	7.3L V8 DSL	E-1460	HP-4002
Tempo	2.3L L4 F/I	33-2107	HP-2004	F450	7.5L V8 F/I	33-2023	HP-3001
Tempo	3.0L V6 F/I		HP-2009	Fairmont	3.9L V6 F/I	33-2708	HP-3001
Thunderbird	3.8L V6 F/I	33-2033	HP-2009	Fairmont	5.0L V8 F/I	33-2015	HP-3001
Thunderbird		33-2033 ♦	HP-2009	Falcon	3.9L V6 F/I	33-2708	HP-3001
Thunderbird	5.0L V8 F/I	33-2033 ♦	HP-3001	Falcon	4.0L V6 MPI	33-2708	HP-3001
Transit 86	2.0L L4 CARB	E-9031		Falcon	5.0L V8 F/I	33-2015	HP-3001
Transit 92	2.5L L4 DSL - 80BHP	33-2739		Festiva	1.3L L4 F/I		HP-1004
Transit 92	2.5L L4 DSL - Exc., 80BHP	33-2512		Fiesta	1.3L L4 F/I	E-9091	
				Fiesta	1.4L L4 CARB - CVH	E-9091	
				Fiesta	1.6L L4 CARB - CVH	E-9091	
				Fiesta III	1.1L L4 CARB	E-9092	
				Fiesta III	1.1L L4 F/I	E-9092	
				Fiesta III	1.3L L4 F/I	E-9091	
				Fiesta III	1.4L L4 F/I	E-9091	
				Fiesta III	1.6L L4 F/I	33-2564 ♦	
				Fiesta III	1.8L L4 DSL	33-2564	
				Granada	2.9L V6 F/I - 4WD	33-2013 ♦	
				LTD Crown Victoria	5.0L V8 F/I	33-2195	HP-3001
				LTD Crown Victoria	5.8L V8 CARB	E-1290	HP-2004
				Motorhome	4.9L L6 F/I - Class C	33-2023	
				Motorhome	5.0L V8 F/I - Class C	33-2023	
				Motorhome	5.8L V8 F/I - Class C	33-2023	
				Motorhome	7.3L V8 DSL - Class C	E-1460	
				Motorhome	7.5L V8 F/I - Class C	33-2023	
				Mustang	2.3L L4 F/I	33-2044	HP-3001
				Mustang	5.0L V8 F/I	33-2015 ♦	HP-3001

\*Indicates 2 filters required      ♦ - Intake kit available      Applications updated daily at [knfilters.com](http://knfilters.com) ®

**Partial Listing - Complete List of Vehicles and Applications at [knfilters.com](http://knfilters.com)**

# FORD

# AIR & OIL FILTERS

Vehicle	Engine Type	Air Filter	Oil Filter	Vehicle	Engine Type	Air Filter	Oil Filter
<b>1991 FORD</b>				<b>1990 FORD</b>			
Orion III	1.4L L4 F/I	E-9091 ♦		E350 Econoline	7.5L V8 F/I	33-2023	HP-3001
Orion III	1.6L L4 CARB	E-9091		E350 Econoline Club Wagon	4.9L L6 F/I	33-2023	HP-3001
Orion III	1.6L L4 F/I	33-2627		E350 Econoline Club Wagon	5.8L V8 F/I	33-2023	HP-3001
Orion III	1.8L L4 DSL	33-2627		E350 Econoline Club Wagon	7.3L V8 DSL	E-1460	HP-4002
Probe	2.2L L4 F/I	33-2026	HP-1010	E350 Econoline Club Wagon	7.5L V8 F/I	33-2023	HP-3001
Probe	3.0L V6 F/I	33-2026	HP-2009	Escort	1.9L L4 F/I	33-2087	HP-2009
Ranger	2.3L L4 F/I	33-2024	HP-3001	Escort Express	1.4L L4 CARB	E-9110	
Ranger	2.9L V6 F/I	33-2024	HP-3001	Escort Express	1.4L L4 F/I	E-9091 ♦	
Ranger	3.0L V6 F/I	33-2024	HP-2009	Escort Express	1.6L L4 DSL	33-2514	
Ranger	4.0L V6 F/I	33-2024	HP-3001	Escort Express	1.8L L4 DSL	33-2599	
Scorpio	2.0L L4 F/I	33-2013		Escort IV	1.3L L4 CARB	E-9091	
Scorpio	2.9L V6 F/I - 12v	33-2013 ♦		Escort IV	1.4L L4 CARB	E-9110	
Scorpio	2.9L V6 F/I - 24v	33-2664 ♦		Escort IV	1.4L L4 F/I	E-9091	
Sierra	1.6L L4 CARB - CV	E-1080		Escort IV	1.6L L4 CARB	E-9091	
Sierra	1.6L L4 F/I	E-1220		Escort IV	1.6L L4 F/I - 102BHP	33-2595 ♦	
Sierra	1.8L L4 CARB - CVH	E-1220		Escort IV	1.6L L4 F/I - Exc., 120BHP	33-2001 ♦	
Sierra	1.8L L4 CARB - Exc., CVH	E-1450		Escort V	1.3L L4 F/I	E-9091	
Sierra	1.8L L4 DSL	33-2013		Escort V	1.4L L4 F/I	E-9091 ♦	
Sierra	2.0L L4 CARB	E-9176		Escort V	1.6L L4 CARB	E-9091	
Sierra	2.0L L4 F/I - 220BHP	33-2532 ♦		Escort V	1.6L L4 F/I	33-2627 ♦	
Sierra	2.0L L4 F/I - Exc., 220BHP	33-2013 ♦		Escort V	1.8L L4 DSL	33-2627	
Sierra	2.9L V6 F/I	33-2013 ♦		F53	7.5L V8 F/I	33-2023	HP-3001
Taurus	2.5L L4 F/I	33-2024	HP-2004	F150	4.9L L6 F/I	33-2023 ♦	HP-3001
Taurus	3.0L V6 F/I	33-2024	HP-2009	F150	5.0L V8 F/I	33-2023 ♦	HP-3001
Taurus	3.8L V6 F/I	33-2024	HP-2009	F150	5.8L V8 F/I	33-2023 ♦	HP-3001
Taurus SHO	3.0L V6 F/I	33-2040	HP-2009	F250	4.9L L6 F/I	33-2023 ♦	HP-3001
Tempo	2.3L L4 F/I	33-2044	HP-3001	F250	5.0L V8 F/I	33-2023 ♦	HP-3001
Thunderbird	3.8L V6 F/I	33-2033	HP-2009	F250	5.8L V8 F/I	33-2023 ♦	HP-3001
Thunderbird		33-2033 ♦	HP-2009	F250	7.3L V8 DSL	E-1460	HP-4002
Thunderbird	5.0L V8 F/I	33-2033 ♦	HP-3001	F250	7.5L V8 F/I	33-2023 ♦	HP-3001
Transit 86	2.0L L4 CARB	E-9031		F250	7.5L V8 F/I	33-2023 ♦	HP-3001
Transit 86	2.5L L4 DSL	33-2512		F350	4.9L L6 F/I	33-2023	HP-3001
Transit 92	2.0L L4 CARB - 90BHP	E-9031		F350	5.8L V8 F/I	33-2023 ♦	HP-3001
Transit 92	2.5L L4 DSL - 80BHP	33-2739		F350	7.3L V8 DSL	E-1460	HP-4002
Transit 92	2.5L L4 DSL - Exc., 80BHP	33-2512		F350	7.5L V8 F/I	33-2023 ♦	HP-3001
<b>1990 FORD</b>				F450	7.3L V8 DSL	E-1460	HP-4002
Aerostar	3.0L V6 F/I	33-2024	HP-2009	F450	7.5L V8 F/I	33-2023	HP-3001
Aerostar	4.0L V6 F/I	33-2024	HP-3001	Falcon	4.0L V6 MPI	33-2708	HP-3001
Bronco	4.9L L6 F/I	33-2023 ♦	HP-3001	Festiva	1.3L L4 CARB		HP-1004
Bronco	5.0L V8 F/I	33-2023 ♦	HP-3001	Festiva	1.3L L4 F/I		HP-1004
Bronco	5.8L V8 F/I	33-2023 ♦	HP-3001	Fiesta	1.4L L4 CARB - 74BHP, to 2/90	E-9091	
Bronco II	2.9L V6 F/I	33-2024	HP-3001	Fiesta III	1.0L L4 CARB	E-9092	
Country Squire	5.0L V8 F/I	33-2012	HP-3001	Fiesta III	1.1L L4 CARB	E-9092	
E150 Econoline	4.9L L6 F/I	33-2023	HP-3001	Fiesta III	1.1L L4 F/I	E-9092	
E150 Econoline	5.0L V8 F/I	33-2023	HP-3001	Fiesta III	1.4L L4 F/I	E-9091	
E150 Econoline	5.8L V8 F/I	33-2023	HP-3001	Fiesta III	1.6L L4 F/I	33-2564 ♦	
E150 Econoline Club Wagon	4.9L L6 F/I	33-2023	HP-3001	Fiesta III	1.8L L4 DSL	33-2564	
E150 Econoline Club Wagon	5.0L V8 F/I	33-2023	HP-3001	LTD Crown Victoria	5.0L V8 F/I	33-2195	HP-3001
E150 Econoline Club Wagon	5.8L V8 F/I	33-2023	HP-3001	LTD Crown Victoria	5.8L V8 CARB	E-1290	HP-2004
E250 Econoline	4.9L L6 F/I	33-2023	HP-3001	Motorhome	4.9L L6 F/I - Class C	33-2023	
E250 Econoline	5.0L V8 F/I	33-2023	HP-3001	Motorhome	5.8L V8 F/I - Class C	33-2023	
E250 Econoline	5.8L V8 F/I	33-2023	HP-3001	Motorhome	7.3L V8 DSL - Class C	E-1460	
E250 Econoline Club Wagon	4.9L L6 F/I	33-2023	HP-3001	Motorhome	7.5L V8 F/I - Class C	33-2023	
E250 Econoline Club Wagon	5.8L V8 F/I	33-2023	HP-3001	Mustang	2.3L L4 F/I	33-2044	HP-3001
E250 Econoline Club Wagon	7.5L V8 F/I	33-2023	HP-3001	Mustang	5.0L V8 F/I	33-2015 ♦	HP-3001
E350 Econoline	5.8L V8 F/I	33-2023	HP-3001	Orion III	1.6L L4 CARB	E-9091	
E350 Econoline	7.3L V8 DSL	E-1460	HP-4002	Orion III	1.6L L4 F/I	33-2627	
				Probe	2.2L L4 F/I		HP-1010
				Probe	2.2L L4 F/I - Cruise control	33-2024	HP-1010

\*Indicates 2 filters required

♦ - Intake kit available

Applications updated daily at [knfilters.com](http://knfilters.com) ®

# AIR & OIL FILTERS

# FORD

Vehicle	Engine Type	Air Filter	Oil Filter	Vehicle	Engine Type	Air Filter	Oil Filter
<b>1990 FORD</b>				<b>1989 FORD</b>			
Probe	2.2L L4 F/I - exc. cruise control	33-2026	HP-1010	Escort Express	1.8L L4 DSL	33-2599	
Probe	3.0L V6 F/I	33-2026	HP-2009	Escort GT	1.9L L4 F/I	33-2087	HP-2009
Ranger	2.3L L4 F/I	33-2024	HP-3001	Escort IV	1.3L L4 CARB	E-9091	
Ranger	2.9L V6 F/I	33-2024	HP-3001	Escort IV	1.4L L4 CARB	E-9110	
Ranger	4.0L V6 F/I	33-2024	HP-3001	Escort IV	1.4L L4 F/I	E-9091	
Scorpio	2.5L L4 DSL - 69BHP	E-3740		Escort IV	1.6L L4 CARB	E-9091	
Scorpio	2.9L V6 F/I	33-2013		Escort IV	1.6L L4 DSL	33-2514	
Sierra	1.6L L4 CARB - 2 stage	E-9176		Escort IV	1.6L L4 F/I - 102BHP	33-2595 ♦	
Sierra	1.6L L4 CARB - CV	E-1080		Escort IV	1.6L L4 F/I - Exc., 102BHP	33-2001 ♦	
Sierra	1.6L L4 F/I	E-1220		Escort IV	1.8L L4 DSL	33-2599	
Sierra	1.8L L4 CARB - CVH	E-1220		F53	7.5L V8 F/I	33-2023 ♦	HP-3001
Sierra	1.8L L4 CARB - Exc., CVH	E-1450		F59	7.3L V8 DSL	E-1460	HP-4002
Sierra	1.8L L4 DSL	33-2013		F150	4.9L L6 F/I	33-2023 ♦	HP-3001
Sierra	2.0L L4 CARB	E-9176		F150	5.0L V8 F/I	33-2023 ♦	HP-3001
Sierra	2.0L L4 F/I - 220/240BHP	33-2532 ♦		F250	4.9L L6 F/I	33-2023 ♦	HP-3001
Sierra	2.0L L4 F/I - Exc., 204/220BHP	33-2013 ♦		F250	5.0L V8 F/I	33-2023 ♦	HP-3001
Sierra	2.9L V6 F/I	33-2013 ♦		F250	5.8L V8 F/I	33-2023 ♦	HP-3001
Taurus	2.5L L4 F/I	33-2024	HP-2004	F250	4.9L L6 F/I	33-2023 ♦	HP-3001
Taurus	3.0L V6 F/I	33-2024	HP-2009	F350	4.9L L6 F/I	33-2023 ♦	HP-3001
Taurus	3.8L V6 F/I	33-2024	HP-2009	F350	5.8L V8 F/I	33-2023 ♦	HP-3001
Taurus SHO	3.0L V6 F/I	33-2040	HP-2009	F350	7.3L V8 DSL	E-1460	HP-4002
Tempo	2.3L L4 F/I	33-2044	HP-3001	F350	7.5L V8 F/I	33-2023 ♦	HP-3001
Thunderbird	3.8L V6 F/I	33-2033	HP-2009	Falcon	4.0L L6 MPI	33-2708	HP-3001
Transit 86	2.0L L4 CARB	E-9031		Fiesta II	1.0L L4 CARB	E-9092	
<b>1989 FORD</b>				Fiesta II	1.4L L4 CARB	E-9110	
Aerostar	3.0L V6 F/I	33-2024	HP-2009	Fiesta II	1.6L L4 CARB - Oval Filter	E-9090	
Bronco	4.9L L6 F/I	33-2023 ♦	HP-3001	Fiesta II	1.6L L4 CARB - Round Filter	E-1280	
Bronco	5.0L V8 F/I	33-2023 ♦	HP-3001	Fiesta II	1.6L L4 DSL	33-2514	
Bronco	5.8L V8 F/I	33-2023 ♦	HP-3001	Fiesta III	1.0L L4 CARB	E-9092	
Bronco II	2.9L V6 F/I	33-2024	HP-3001	Fiesta III	1.1L L4 CARB	E-9092	
Country Squire	5.0L V8 F/I	33-2012	HP-3001	Fiesta III	1.1L L4 F/I	E-9092	
E150 Econoline	4.9L L6 F/I	33-2023	HP-3001	Fiesta III	1.4L L4 F/I	E-9091	
E150 Econoline	5.0L V8 F/I	33-2023	HP-3001	Fiesta III	1.6L L4 F/I - from 4/89	33-2564 ♦	
E150 Econoline	5.8L V8 F/I	33-2023	HP-3001	Granada	2.9L V6 F/I - 4WD	33-2013	
E150 Econoline Club Wagon	4.9L L6 F/I	33-2023	HP-3001	Laser	1.6L L4 F/I		HP-1004
E150 Econoline Club Wagon	5.0L V8 F/I	33-2023	HP-3001	LTD Crown Victoria	5.0L V8 F/I	33-2195	HP-3001
E150 Econoline Club Wagon	5.8L V8 F/I	33-2023	HP-3001	LTD Crown Victoria	5.8L V8 CARB	E-1290	HP-2004
E250 Econoline	4.9L L6 F/I	33-2023	HP-3001	Motorhome	5.0L V8 F/I - Class C	33-2023	
E250 Econoline	5.8L V8 F/I	33-2023	HP-3001	Motorhome	5.8L V8 F/I - Class C	33-2023	
E250 Econoline Club Wagon	4.9L L6 F/I	33-2023	HP-3001	Motorhome	7.3L V8 DSL - Class C	E-1460	
E250 Econoline Club Wagon	5.8L V8 F/I	33-2023	HP-3001	Motorhome	7.5L V8 F/I - Class C	33-2023	
E350 Econoline	4.9L L6 F/I	33-2023	HP-3001	Mustang	2.3L L4 F/I	33-2044	HP-3001
E350 Econoline	5.8L V8 F/I	33-2023	HP-3001	Mustang	5.0L V8 F/I	33-2015 ♦	HP-3001
E350 Econoline	7.3L V8 DSL	E-1460	HP-4002	Orion II	1.6L L4 CARB	E-9091	
E350 Econoline	7.5L V8 F/I	33-2023	HP-3001	Orion II	1.6L L4 DSL	33-2514	
E350 Econoline Club Wagon	4.9L L6 F/I	33-2023	HP-3001	Orion II	1.6L L4 F/I	33-2595	
E350 Econoline Club Wagon	5.8L V8 F/I	33-2023	HP-3001	Orion III	1.8L L4 DSL	33-2627	
E350 Econoline Club Wagon	7.3L V8 DSL	E-1460	HP-4002	Probe	2.2L L4 F/I	33-2026	HP-1010
E350 Econoline Club Wagon	7.5L V8 F/I	33-2023	HP-3001	Ranger	2.3L L4 F/I	33-2024	HP-3001
Escort	1.9L L4 F/I		HP-2009	Ranger	2.9L V6 F/I	33-2024	HP-3001
Escort Express	1.4L L4 CARB	E-9110		Scorpio	2.0L L4 CARB	E-9176	
Escort Express	1.4L L4 F/I	E-9091		Scorpio	2.0L L4 CARB - DOHC	E-9110	
Escort Express	1.6L L4 DSL	33-2514		Scorpio	2.0L L4 F/I	33-2013	
				Scorpio	2.5L L4 DSL - 69BHP	E-3740	
				Scorpio	2.9L V6 F/I	33-2013	
				Sierra	1.8L L4 CARB - CVH	E-1220	
				Sierra	1.8L L4 CARB - Exc., CVH	E-1450	
				Sierra	1.8L L4 DSL	33-2013	
				Sierra	2.0L L4 CARB	E-9176	

\*Indicates 2 filters required      ♦ - Intake kit available      Applications updated daily at [knfilters.com](http://knfilters.com) ®

**Partial Listing - Complete List of Vehicles and Applications at [knfilters.com](http://knfilters.com)**

# FORD

# AIR & OIL FILTERS

Vehicle	Engine Type	Air Filter	Oil Filter	Vehicle	Engine Type	Air Filter	Oil Filter
<b>1989 FORD</b>				<b>1988 FORD</b>			
Sierra	2.0L L4 F/I - 204BHP	33-2532 ♦		F250	7.5L V8 F/I	33-2023 ♦	HP-3001
Sierra	2.0L L4 F/I - Exc., 204BHP	33-2013 ♦		F350	4.9L L6 F/I	33-2023 ♦	HP-3001
Sierra	2.9L V6 F/I	33-2013 ♦		F350	5.8L V8 F/I	33-2023 ♦	HP-3001
Taurus	2.5L L4 F/I	33-2024	HP-2004	F350	7.3L V8 DSL	E-1460	HP-4002
Taurus	3.0L V6 F/I	33-2024	HP-2009	F350	7.5L V8 F/I	33-2023 ♦	HP-3001
Taurus	3.8L V6 F/I	33-2024	HP-2009	Falcon	4.0L L6 EFI		HP-3001
Taurus SHO	3.0L V6 F/I	33-2040	HP-2009	Falcon	4.0L L6 MPI	33-2708	HP-3001
Tempo	2.3L L4 F/I	33-2044	HP-3001	Fiesta	1.0L L4 CARB	E-9092	
Thunderbird	3.8L V6 F/I	33-2033	HP-2009	Fiesta II	1.0L L4 CARB	E-9092	
Transit 86	2.5L L4 DSL - from 3/89	33-2658		Fiesta II	1.1L L4 CARB	E-9092	
<b>1988 FORD</b>				Fiesta II	1.4L L4 CARB	E-9110	
Aerostar	3.0L V6 F/I	33-2024	HP-2009	Fiesta II	1.6L L4 CARB - Oval Filter	E-9090	
Bronco	4.9L L6 F/I	33-2023 ♦	HP-3001	Fiesta II	1.6L L4 CARB - Round Filter	E-1280	
Bronco	5.0L V8 F/I	33-2023 ♦	HP-3001	Fiesta II	1.6L L4 DSL	33-2514	
Bronco	5.8L V8 F/I	33-2023 ♦	HP-3001	Laser	1.6L L4 F/I		HP-1004
Bronco II	2.9L V6 F/I	33-2024	HP-3001	LTD Crown Victoria	5.0L V8 F/I	33-2195	HP-3001
Country Squire	5.0L V8 F/I	33-2012	HP-3001	LTD Crown Victoria	5.8L V8 CARB	E-1290	HP-3001
E150 Econoline	4.9L L6 F/I	33-2023	HP-3001	Motorhome	5.8L V8 F/I - Class C	33-2023	
E150 Econoline	5.0L V8 F/I	33-2023	HP-3001	Motorhome	7.3L V8 DSL - Class C	E-1460	
E150 Econoline	5.8L V8 F/I	33-2023	HP-3001	Motorhome	7.5L V8 F/I - Class C	33-2023	
E150 Econoline Club Wagon	4.9L L6 F/I	33-2023	HP-3001	Mustang	2.3L L4 F/I	33-2044	HP-3001
E150 Econoline Club Wagon	5.0L V8 F/I	33-2023	HP-3001	Mustang	5.0L V8 F/I	33-2015 ♦	HP-3001
E150 Econoline Club Wagon	5.8L V8 F/I	33-2023	HP-3001	Orion II	1.6L L4 CARB	E-9090	
E250 Econoline	5.8L V8 F/I	33-2023	HP-3001	Orion II	1.6L L4 DSL	33-2514	
E250 Econoline Club Wagon	5.8L V8 F/I	33-2023	HP-3001	Orion II	1.6L L4 F/I	33-2595	
E250 Econoline Club Wagon	7.5L V8 F/I	33-2023	HP-3001	Ranger	2.0L L4 CARB	E-1088	HP-3001
E350 Econoline	4.9L L6 F/I	33-2023	HP-3001	Ranger	2.3L L4 F/I	33-2002	HP-3001
E350 Econoline	5.8L V8 F/I	33-2023	HP-3001	Ranger	2.9L V6 F/I	33-2024	HP-3001
E350 Econoline	7.3L V8 DSL	E-1460	HP-4002	Scorpio	2.5L L4 DSL - 69BHP	E-3740	
E350 Econoline	7.5L V8 F/I	33-2023	HP-3001	Sierra	1.6L L4 CARB - 2 stage	E-9176	
E350 Econoline Club Wagon	4.9L L6 F/I	33-2023	HP-3001	Sierra	1.6L L4 CARB - CV	E-1080	
E350 Econoline Club Wagon	5.8L V8 F/I	33-2023	HP-3001	Sierra	1.8L L4 CARB - CVH	E-1220	
E350 Econoline Club Wagon	7.3L V8 DSL	E-1460	HP-4002	Sierra	1.8L L4 CARB - Exc., CVH	E-1450	
E350 Econoline Club Wagon	7.5L V8 F/I	33-2023	HP-3001	Sierra	1.8L L4 DSL	33-2013	
Escort	1.9L L4 F/I	33-2087	HP-2009	Sierra	2.0L L4 CARB	E-9176	
Escort Express	1.6L L4 DSL	33-2514		Sierra	2.0L L4 F/I - 204BHP	33-2532 ♦	
Escort IV	1.3L L4 CARB - from 8/88	E-9091		Sierra	2.0L L4 F/I - Exc., 204BHP	33-2013 ♦	
Escort IV	1.3L L4 CARB - to 7/88	E-9092		Sierra	2.8L V6 F/I	33-2510	
Escort IV	1.4L L4 CARB	E-9110		Sierra	2.9L V6 F/I	33-2013 ♦	
Escort IV	1.4L L4 F/I	E-9090		Taurus	2.5L L4 F/I - Auto Trans.		HP-2004
Escort IV	1.6L L4 CARB	E-9090		Taurus	2.5L L4 F/I - Manual Trans.		HP-3001
Escort IV	1.6L L4 DSL	33-2514		Taurus	3.0L V6 F/I	33-2024	HP-2009
Escort IV	1.6L L4 F/I - 102BHP	33-2595 ♦		Taurus	3.8L V6 F/I	33-2024	HP-2009
Escort IV	1.6L L4 F/I - Exc., 102BHP	33-2001 ♦		Tempo	2.3L L4 F/I	33-2044	HP-3001
EXP	1.9L L4 F/I		HP-2009	Thunderbird	2.3L L4 F/I	E-1931	HP-2004
F Super Duty	7.3L V8 DSL	E-1460	HP-4002	Thunderbird	3.8L V6 F/I	33-2015	HP-2009
F53	7.5L V8 F/I	33-2023 ♦	HP-3001	Thunderbird	5.0L V8 F/I	33-2015	HP-3001
F150	4.9L L6 F/I	33-2023 ♦	HP-3001	<b>1987 FORD</b>			
F150	5.0L V8 F/I	33-2023 ♦	HP-3001	Bronco	4.9L L6 F/I	33-2023	HP-3001
F150	5.8L V8 F/I	33-2023 ♦	HP-3001	Bronco	5.0L V8 F/I	33-2023	HP-3001
F250	4.9L L6 F/I	33-2023 ♦	HP-3001	Bronco	5.8L V8 CARB	E-1570	HP-3001
F250	5.0L V8 F/I	33-2023 ♦	HP-3001	Bronco II	2.9L V6 F/I	33-2002	HP-3001
F250	5.8L V8 F/I	33-2023 ♦	HP-3001	Capri III	1.6L L4 CARB	E-1080	
F250	7.3L V8 DSL	E-1460	HP-4002	Capri III	2.8L V6 F/I	33-2001	
				Country Squire	5.0L V8 F/I	33-2012	HP-3001
				E150 Econoline	4.9L L6 F/I	33-2023	HP-3001
				E150 Econoline	5.0L V8 F/I	33-2023	HP-3001
				E150 Econoline	5.8L V8 CARB	E-1570	HP-3001

\*Indicates 2 filters required

♦ - Intake kit available

Applications updated daily at [knfilters.com](http://knfilters.com) ®



# AIR & OIL FILTERS

# FORD

Vehicle	Engine Type	Air Filter	Oil Filter	Vehicle	Engine Type	Air Filter	Oil Filter
<b>1987 FORD</b>				<b>1987 FORD</b>			
E150 Econoline Club Wagon	4.9L L6 F/I	33-2023	HP-3001	Sierra	2.0L L4 F/I - 204BHP	33-2532 ♦	
E150 Econoline Club Wagon	5.0L V8 F/I	33-2023	HP-3001	Sierra	2.0L L4 F/I - Exc., 204BHP	33-2013 ♦	
E150 Econoline Club Wagon	5.8L V8 CARB	E-1570	HP-3001	Sierra	2.8L V6 F/I	33-2510	
E250 Econoline	5.8L V8 CARB	E-1570	HP-3001	Taurus	3.0L V6 F/I	33-2024	HP-2009
E250 Econoline Club Wagon	5.8L V8 CARB	E-1570	HP-3001	Tempo	2.3L L4 F/I	33-2044	HP-3001
E350 Econoline	4.9L L6 F/I	33-2023	HP-3001	Thunderbird	2.3L L4 F/I	E-1931	HP-2004
E350 Econoline	5.8L V8 CARB	E-1570	HP-3001	Thunderbird	3.8L V6 F/I	E-1325	HP-3001
E350 Econoline Club Wagon	4.9L L6 F/I	33-2023	HP-3001	Thunderbird	5.0L V8 F/I	33-2015	HP-3001
E350 Econoline Club Wagon	5.8L V8 CARB	E-1570	HP-3001	<b>1986 FORD</b>			
E350 Econoline Club Wagon	6.9L V8 DSL	E-1460	HP-4002	Bronco	4.9L L6 CARB	E-1350	HP-3001
E350 Econoline Club Wagon	7.5L V8 CARB	E-1570	HP-3001	Bronco	5.0L V8 F/I	33-2012	HP-3001
E350 Econoline Club Wagon	7.5L V8 F/I	33-2023	HP-3001	Bronco	5.8L V8 CARB	E-1570	HP-3001
E350 Econoline Club Wagon	4.9L L6 F/I	33-2023	HP-3001	Bronco II	2.9L V6 F/I	33-2002	HP-3001
E350 Econoline Club Wagon	5.8L V8 CARB	E-1570	HP-3001	Capri III	1.6L L4 CARB	E-1080	
E350 Econoline Club Wagon	6.9L V8 DSL	E-1460	HP-4002	Capri III	2.8L V6 F/I	33-2001	
E350 Econoline Club Wagon	7.5L V8 CARB	E-1570	HP-3001	E150 Econoline	4.9L L6 CARB	E-1040	HP-3001
Escort	1.9L L4 F/I	33-2087	HP-2009	E150 Econoline	5.0L V8 F/I	33-2012	HP-3001
Escort	2.0L L4 DSL		HP-2007	E150 Econoline	5.8L V8 CARB	E-1570	HP-3001
Escort Express	1.6L L4 DSL	33-2514		E150 Econoline Club Wagon	4.9L L6 CARB	E-1040	HP-3001
Escort IV	1.4L L4 F/I	E-9090		E150 Econoline Club Wagon	5.0L V8 F/I	33-2012	HP-3001
Escort IV	1.6L L4 CARB	E-9090		E150 Econoline Club Wagon	5.8L V8 CARB	E-1570	HP-3001
Escort IV	1.6L L4 DSL	33-2514		E150 Econoline Club Wagon	5.8L V8 CARB	E-1570	HP-3001
Escort IV	1.6L L4 F/I - 102BHP	33-2595 ♦		E350 Econoline	5.8L V8 CARB	E-1570	HP-3001
Escort IV	1.6L L4 F/I - Exc., 102BHP	33-2001 ♦		E350 Econoline	6.9L V8 DSL	E-1460	HP-4002
EXP	1.9L L4 F/I	33-2002	HP-2009	E350 Econoline	7.5L V8 CARB	E-1570	HP-3001
F150	4.9L L6 F/I	33-2023	HP-3001	E350 Econoline Club Wagon	5.8L V8 CARB	E-1570	HP-3001
F150	5.0L V8 F/I	33-2023	HP-3001	E350 Econoline Club Wagon	6.9L V8 DSL	E-1460	HP-4002
F150	5.8L V8 CARB	E-1570	HP-3001	E350 Econoline Club Wagon	7.5L V8 CARB	E-1570	HP-3001
F250	4.9L L6 F/I	33-2023	HP-3001	Escort	1.9L L4 CARB	E-1958	HP-2009
F250	5.0L V8 F/I	33-2023	HP-3001	Escort	1.9L L4 F/I	33-2087	HP-2009
F250	5.8L V8 CARB	E-1570	HP-3001	Escort	2.0L L4 DSL		HP-2007
F250	6.9L V8 DSL	E-1460	HP-4002	Escort Express	1.6L L4 CARB	E-1280	
F250	7.5L V8 CARB	E-1570	HP-3001	Escort IV	1.6L L4 CARB	E-9090	
F350	4.9L L6 F/I	33-2023	HP-3001	Escort IV	1.6L L4 DSL	33-2514	
F350	5.8L V8 CARB	E-1570	HP-3001	Escort IV	1.6L L4 F/I - 102BHP	33-2595 ♦	
F350	6.9L V8 DSL	E-1460	HP-4002	Escort IV	1.6L L4 F/I - Exc., 102BHP	33-2001 ♦	
F350	7.5L V8 CARB	E-1570	HP-3001	EXP	1.9L L4 CARB	E-1958	HP-2009
Falcon	4.0L L6 EFI		HP-3001	EXP	1.9L L4 F/I	33-2002	HP-2009
Fiesta	1.0L L4 CARB	E-9092		F150	4.9L L6 CARB	E-1350	HP-3001
Fiesta II	1.0L L4 CARB	E-9092		F150	5.0L V8 F/I	33-2012	HP-3001
Fiesta II	1.1L L4 CARB	E-9092		F150	5.8L V8 CARB	E-1570	HP-3001
Fiesta II	1.6L L4 CARB - Oval Filter	E-9090		F250	4.9L L6 CARB	E-1350	HP-3001
Fiesta II	1.6L L4 CARB - Round Filter	E-1280		F250	5.0L V8 F/I	33-2012	HP-3001
Fiesta II	1.6L L4 DSL	33-2514		F250	5.8L V8 CARB	E-1570	HP-3001
Laser	1.6L L4 F/I		HP-1004	F250	6.9L V8 DSL	E-1460	HP-4002
LTD Crown Victoria	5.0L V8 F/I	33-2195	HP-3001	F250	7.5L V8 CARB	E-1570	HP-3001
LTD Crown Victoria	5.8L V8 CARB - w/o oil cooler		HP-3001	F350	4.9L L6 CARB	E-1350	HP-3001
Motorhome	6.9L V8 DSL - Class C	E-1460		F350	5.8L V8 CARB	E-1570	HP-3001
Motorhome	7.5L V8 F/I - Class C	33-2023		F350	6.9L V8 DSL	E-1460	HP-4002
Mustang	2.3L L4 F/I	33-2044	HP-3001	F350	7.5L V8 CARB	E-1570	HP-3001
Mustang	5.0L V8 F/I	33-2015 ♦	HP-3001	Falcon	4.0L L6 EFI		HP-3001
Ranger	2.0L L4 CARB	E-1088	HP-3001	Fiesta	1.1L L4 CARB	E-9092	
Ranger	2.3L L4 F/I	33-2002	HP-3001	Fiesta II	1.1L L4 CARB	E-9092	
Ranger	2.9L V6 F/I	33-2002	HP-3001	Fiesta II	1.6L L4 CARB - Oval Filter	E-9090	
Sierra	1.6L L4 CARB - 2 stage	E-9176		Fiesta II	1.6L L4 CARB - Round Filter	E-1280	
Sierra	1.6L L4 CARB - CV	E-1080					
Sierra	2.0L L4 CARB	E-9176					

\*Indicates 2 filters required      ♦ - Intake kit available      Applications updated daily at [knfilters.com](http://knfilters.com) ®

**Partial Listing - Complete List of Vehicles and Applications at [knfilters.com](http://knfilters.com)**

# FORD

# AIR & OIL FILTERS

Vehicle	Engine Type	Air Filter	Oil Filter	Vehicle	Engine Type	Air Filter	Oil Filter
<b>1986 FORD</b>				<b>1985 FORD</b>			
Fiesta II	1.6L L4 DSL	33-2514		E350 Econoline Club Wagon	5.8L V8 2 BBL.	E-1290	HP-3001
LTD	3.8L V6 F/I	E-1325	HP-3001	E350 Econoline Club Wagon	5.8L V8 4 BBL.	E-1570	HP-3001
LTD	5.0L V8 F/I	33-2195	HP-3001	E350 Econoline Club Wagon	6.9L V8 DSL	E-1460	HP-4002
LTD	5.8L V8 CARB - w/o oil cooler		HP-3001	E350 Econoline Club Wagon	7.5L V8 CARB	E-1570	HP-3001
LTD	5.8L V8 CARB - w/oil cooler		HP-2004	Escort	1.6L L4 CARB	E-1958	
Motorhome	6.9L V8 DSL - Class C	E-1460		Escort	1.6L L4 CARB - exc. Turbo	E-1958	HP-2009
Mustang	2.3L L4 CARB	E-1200	HP-3001	Escort	1.6L L4 F/I - exc. Turbo		HP-2009
Mustang	2.3L L4 F/I	E-1931	HP-2004	Escort	1.6L L4 F/I - Turbo		HP-2004
Mustang	3.8L V6 F/I	E-1325	HP-3001	Escort	1.9L L4 CARB		HP-2009
Mustang	5.0L V8 F/I	33-2015 ♦	HP-3001	Escort Express	1.6L L4 CARB	E-1280	
Orion	1.3L L4 CARB	E-2566		Escort Express	1.6L L4 DSL	33-2514	
Orion II	1.3L L4 CARB	E-9092		Escort III	1.6L L4 CARB - 79BHP	E-1280	
Ranger	2.0L L4 CARB	E-1088	HP-3001	Escort III	1.6L L4 DSL	33-2514	
Ranger	2.3L L4 F/I	33-2002	HP-3001	Escort III	1.6L L4 F/I	33-2001	
Ranger	2.9L V6 F/I	33-2002	HP-3001	EXP	1.6L L4 CARB	E-1958	HP-2009
Scorpio	2.5L L4 DSL	E-3740		EXP	1.6L L4 F/I	33-2002	HP-2004
Sierra	1.6L L4 CARB - 2 stage	E-9176		F150	4.9L L6 CARB	E-1350	HP-3001
Sierra	1.6L L4 CARB - CV	E-1080		F150	5.0L V8 CARB	E-1290	HP-3001
Sierra	2.0L L4 CARB	E-9176		F150	5.0L V8 F/I	33-2012	HP-3001
Sierra	2.0L L4 F/I	33-2013		F150	5.8L V8 2 BBL.	E-1290	HP-3001
Sierra	2.3L V6 CARB	E-4790		F150	5.8L V8 4 BBL.	E-1570	HP-3001
Sierra	2.8L V6 F/I	33-2510		F250	4.9L L6 CARB	E-1350	HP-3001
Taurus	2.5L L4 F/I - Auto Trans.		HP-2004	F250	5.0L V8 CARB	E-1290	HP-3001
Taurus	2.5L L4 F/I - Manual Trans.		HP-3001	F250	5.0L V8 F/I	33-2012	HP-3001
Taurus	3.0L V6 F/I	33-2024	HP-2009	F250	5.8L V8 2 BBL.	E-1290	HP-3001
Tempo	2.3L L4 CARB	33-2044	HP-3001	F250	5.8L V8 4 BBL.	E-1570	HP-3001
Tempo	2.3L L4 F/I	33-2044	HP-3001	F250	6.9L V8 DSL	E-1460	HP-4002
Thunderbird	2.3L L4 F/I	E-1931	HP-2004	F250	7.5L V8 CARB	E-1570	HP-3001
Thunderbird	3.8L V6 F/I	E-1325	HP-3001	F350	5.8L V8 2 BBL.	E-1290	HP-3001
Thunderbird	5.0L V8 F/I	33-2015	HP-3001	F350	5.8L V8 4 BBL.	E-1570	HP-3001
<b>1985 FORD</b>				F350	6.9L V8 DSL	E-1460	HP-4002
Bronco	4.9L L6 CARB	E-1350	HP-3001	F350	7.5L V8 CARB	E-1570	HP-3001
Bronco	5.0L V8 F/I	33-2012	HP-3001	Falcon	4.0L L6 EFI		HP-3001
Bronco	5.8L V8 2 BBL.	E-1290	HP-3001	Fiesta II	1.6L L4 CARB - Oval Filter	E-9090	
Bronco	5.8L V8 4 BBL.	E-1570	HP-3001	Fiesta II	1.6L L4 CARB - Round Filter	E-1280	
Bronco II	2.8L V6 CARB	E-1280	HP-3001	Fiesta II	1.6L L4 DSL	33-2514	
Capri III	1.6L L4 CARB	E-1080		Granada	2.5L L4 DSL	E-3740	
Capri III	2.0L V6 CARB	E-1080		Granada	2.8L V6 F/I	33-2013	
Capri III	2.8L V6 F/I	33-2001		LTD	3.8L V6 F/I	E-1325	HP-3001
E150 Econoline	4.9L L6 CARB	E-1040	HP-3001	LTD	5.0L V8 CARB	E-1570	
E150 Econoline	5.0L V8 CARB	E-1290	HP-3001	LTD	5.0L V8 F/I	E-1290	HP-3001
E150 Econoline	5.8L V8 2 BBL.	E-1290	HP-3001	LTD	5.8L V8 CARB - w/o oil cooler		HP-3001
E150 Econoline	5.8L V8 4 BBL.	E-1570	HP-3001	LTD	5.8L V8 CARB - w/oil cooler		HP-2004
E150 Econoline Club Wagon	4.9L L6 CARB	E-1040	HP-3001	Mustang	2.3L L4 CARB	E-1200	HP-3001
E150 Econoline Club Wagon	5.0L V8 CARB	E-1290	HP-3001	Mustang	2.3L L4 F/I	E-1931	HP-2004
E150 Econoline Club Wagon	5.8L V8 2 BBL.	E-1290	HP-3001	Mustang	3.8L V6 F/I	E-1325	HP-3001
E150 Econoline Club Wagon	5.8L V8 4 BBL.	E-1570	HP-3001	Mustang	5.0L V8 CARB	E-1535	HP-3001
E250 Econoline	5.8L V8 2 BBL.	E-1290	HP-3001	Ranger	2.0L L4 CARB	E-1088	HP-3001
E250 Econoline	5.8L V8 4 BBL.	E-1570	HP-3001	Ranger	2.3L L4 F/I	33-2002	HP-3001
E250 Econoline Club Wagon	5.8L V8 2 BBL.	E-1290	HP-3001	Ranger	2.8L V6 CARB	E-1280	HP-3001
E250 Econoline Club Wagon	5.8L V8 4 BBL.	E-1570	HP-3001	Scorpio	2.5L L4 DSL	E-3740	
E350 Econoline	5.8L V8 2 BBL.	E-1290	HP-3001	Sierra	1.6L L4 CARB - CV	E-1080	
E350 Econoline	5.8L V8 4 BBL.	E-1570	HP-3001	Sierra	2.0L L4 CARB	E-9176	
E350 Econoline	6.9L V8 DSL	E-1460	HP-4002	Sierra	2.0L L4 F/I	33-2013	
E350 Econoline	7.5L V8 CARB	E-1570	HP-3001	Sierra	2.3L V6 CARB	E-4790	
				Sierra	2.8L V6 F/I	33-2510	
				Tempo	2.3L L4 CARB - w/o oil cooler		HP-3001

\*Indicates 2 filters required

♦ - Intake kit available

Applications updated daily at [knfilters.com](http://knfilters.com) ®

# AIR & OIL FILTERS

# FORD

Vehicle	Engine Type	Air Filter	Oil Filter	Vehicle	Engine Type	Air Filter	Oil Filter
<b>1985 FORD</b>				<b>1984 FORD</b>			
Tempo	2.3L L4 CARB - w/oil cooler		HP-2004	LTD	5.8L V8 CARB	E-1290	
Tempo	2.3L L4 F/I	33-2044	HP-3001	LTD	5.8L V8 CARB - w/o oil cooler	E-1290	HP-3001
Thunderbird	2.3L L4 F/I	E-1931	HP-2004	LTD	5.8L V8 CARB - w/oil cooler	E-1290	HP-2004
Thunderbird	3.8L V6 F/I	E-1325	HP-3001	Mustang	2.3L L4 CARB	E-1200	HP-3001
Thunderbird	5.0L V8 F/I	E-1290	HP-3001	Mustang	2.3L L4 F/I	E-1931	HP-2004
<b>1984 FORD</b>				Mustang	3.8L V6 F/I	E-1325	HP-3001
Bronco	4.9L L6 CARB	E-1350	HP-3001	Mustang	5.0L V8 CARB	E-1535	HP-2004
Bronco	5.0L V8 CARB	E-1290	HP-3001	Mustang	5.0L V8 F/I	E-1535	HP-3001
Bronco	5.8L V8 2 BBL.	E-1290	HP-3001	Ranger	2.0L L4 CARB	E-1088	HP-3001
Bronco	5.8L V8 4 BBL.	E-1570	HP-3001	Ranger	2.2L L4 DSL	E-0990	HP-2007
Bronco II	2.8L V6 CARB	E-1280	HP-3001	Ranger	2.3L L4 CARB	E-1088	HP-3001
Capri III	2.0L V6 CARB	E-1080		Ranger	2.8L V6 CARB	E-1280	HP-3001
Capri III	2.3L V6 CARB	E-4790		Sierra	2.0L L4 CARB - from 11/84	E-9176	
Capri III	2.8L V6 F/I	33-2001		Sierra	2.0L L4 CARB - to 10/84	E-1080	
E150 Econoline	4.9L L6 CARB	E-1040	HP-3001	Sierra	2.8L V6 F/I	33-2510	
E150 Econoline	5.0L V8 CARB	E-1290	HP-3001	Tempo	2.3L L4 CARB - w/o oil cooler		HP-3001
E150 Econoline Club Wagon	4.9L L6 CARB	E-1040	HP-3001	Thunderbird	2.3L L4 F/I	E-1931	HP-2004
E150 Econoline Club Wagon	5.0L V8 CARB	E-1290	HP-3001	Thunderbird	3.8L V6 F/I	E-1325	HP-3001
E350 Econoline	5.8L V8 CARB	E-1290	HP-3001	Thunderbird	5.0L V8 F/I	E-1290	HP-3001
E350 Econoline	6.9L V8 DSL	E-1460	HP-4002	<b>1983 FORD</b>			
E350 Econoline	7.5L V8 CARB	E-1570	HP-3001	Bronco	4.9L L6 CARB	E-1350	HP-3001
E350 Econoline Club Wagon	5.8L V8 CARB	E-1290	HP-3001	Bronco	5.0L V8 CARB	E-1290	HP-3001
E350 Econoline Club Wagon	6.9L V8 DSL	E-1460	HP-4002	Bronco	5.8L V8 CARB	E-1290	HP-3001
E350 Econoline Club Wagon	7.5L V8 CARB	E-1570	HP-3001	Capri III	1.6L L4 CARB	E-1080	
Escort	1.6L L4 CARB	E-1958	HP-2009	Capri III	2.0L V6 CARB	E-1080	
Escort	1.6L L4 F/I	33-2002		Capri III	2.3L V6 CARB	E-4790	
Escort	1.6L L4 F/I - exc. Turbo	33-2002	HP-2009	Capri III	2.8L V6 F/I	33-2001	
Escort	1.6L L4 F/I - Turbo	33-2002	HP-2004	E100 Econoline	4.9L L6 CARB	E-1040	HP-3001
Escort	2.0L L4 DSL		HP-2007	E100 Econoline Club Wagon	4.9L L6 CARB	E-1040	HP-3001
Escort Express	1.6L L4 CARB	E-1280		E150 Econoline Club Wagon	5.0L V8 CARB	E-1290	HP-3001
Escort Express	1.6L L4 DSL	33-2514		E350 Econoline	7.5L V8 CARB	E-1570	HP-3001
Escort III	1.6L L4 CARB - 79BHP	E-1280		E350 Econoline Club Wagon	7.5L V8 CARB	E-1570	HP-3001
Escort III	1.6L L4 DSL	33-2514		Escort	1.6L L4 CARB	E-1958	HP-2009
Escort III	1.6L L4 F/I	33-2001		Escort	1.6L L4 F/I	33-2002	HP-2009
F150	4.9L L6 CARB	E-1350	HP-3001	Escort Express	1.6L L4 CARB	E-1280	
F150	5.0L V8 CARB	E-1290	HP-3001	Escort III	1.6L L4 CARB - 79BHP	E-1280	
F150	5.8L V8 CARB	E-1290	HP-3001	Escort III	1.6L L4 F/I	33-2001	
F150	6.9L V8 DSL	E-1460	HP-4002	F100	3.8L V6 CARB	E-1325	HP-3001
F250	4.9L L6 CARB	E-1350	HP-3001	F100	4.9L L6 CARB	E-1350	HP-3001
F250	5.0L V8 CARB	E-1290	HP-3001	F100	5.0L V8 CARB	E-1290	HP-3001
F250	5.8L V8 2 BBL.	E-1290	HP-3001	F150	4.9L L6 CARB	E-1350	HP-3001
F250	5.8L V8 4 BBL.	E-1570	HP-3001	F150	5.0L V8 CARB	E-1290	HP-3001
F250	6.9L V8 DSL	E-1460	HP-4002	F150	5.8L V8 CARB	E-1290	HP-3001
F250	7.5L V8 CARB	E-1570	HP-3001	F250	4.9L L6 CARB	E-1350	HP-3001
F350	5.8L V8 2 BBL.	E-1290	HP-3001	F250	5.0L V8 CARB	E-1290	HP-3001
F350	5.8L V8 4 BBL.	E-1570	HP-3001	F250	5.8L V8 CARB	E-1290	HP-3001
F350	6.9L V8 DSL	E-1460	HP-4002	F250	6.9L V8 DSL	E-1460	HP-4002
F350	7.5L V8 CARB	E-1570	HP-3001	F250	7.5L V8 CARB	E-1570	HP-3001
Falcon	4.0L L6 EFI		HP-3001	F250	5.8L V8 CARB	E-1290	HP-3001
Fiesta II	1.6L L4 CARB - Oval Filter	E-9090		F350	7.5L V8 CARB	E-1570	HP-3001
Fiesta II	1.6L L4 CARB - Round Filter	E-1280		Fairmont	3.3L L6 CARB	E-1350	HP-3001
Fiesta II	1.6L L4 DSL	33-2514		Falcon	4.0L L6 EFI		HP-3001
Granada	2.5L L4 DSL	E-3740		Fiesta I	1.6L L4 CARB	E-1280	
Granada	2.8L V6 F/I	33-2013		Fiesta II	1.6L L4 CARB - Oval Filter	E-9090	
LTD	3.8L V6 CARB	E-1325	HP-3001	Fiesta II	1.6L L4 CARB - Round Filter	E-1280	
LTD	3.8L V6 F/I	E-1325	HP-3001	Granada	2.5L L4 DSL	E-3740	
LTD	5.0L V8 CARB	E-1290	HP-3001	Granada	2.8L V6 F/I	33-2013	
LTD	5.0L V8 F/I	E-1290	HP-3001				

\*Indicates 2 filters required      ♦ - Intake kit available      Applications updated daily at [knfilters.com](http://knfilters.com) ®

**Partial Listing - Complete List of Vehicles and Applications at [knfilters.com](http://knfilters.com)**

# FORD

# AIR & OIL FILTERS

Vehicle	Engine Type	Air Filter	Oil Filter	Vehicle	Engine Type	Air Filter	Oil Filter
<b>1983 FORD</b>				<b>1982 FORD</b>			
LTD	3.8L V6 CARB	E-1325	HP-3001	Mustang	2.3L L4 CARB	E-1200	
LTD	5.0L V8 F/I	E-1290	HP-3001	Mustang	2.3L L4 CARB - exc. Turbo	E-1200	HP-3001
LTD	5.8L V8 CARB - w/o oil cooler		HP-3001	Mustang	2.3L L4 CARB - Turbo	E-1200	HP-2004
Mustang	2.3L L4 CARB	E-1200	HP-3001	Mustang	3.3L L6 CARB	E-1350	HP-3001
Mustang	2.3L L4 F/I	E-1931	HP-2004	Mustang	4.2L V8 CARB	E-1180	HP-3001
Mustang	3.8L V6 CARB	E-1325	HP-3001	Mustang	5.0L V8 CARB	E-1290	HP-3001
Mustang	5.0L V8 CARB	E-1535	HP-3001	Thunderbird	3.8L V6 CARB	E-1325	HP-3001
Ranger	2.0L L4 CARB		HP-3001	Thunderbird	4.2L V8 CARB	E-1180	HP-3001
Ranger	2.2L L4 DSL	E-0990	HP-2007	Transit 77	2.0L L4 CARB	E-3678	
Ranger	2.3L L4 CARB	E-1088	HP-3001	<b>1981 FORD</b>			
Ranger	2.8L V6 CARB	E-1280	HP-3001	Bronco	4.9L L6 CARB	E-1040	HP-3001
Sierra	2.0L L4 CARB	E-1080		Bronco	5.0L V8 CARB	E-1290	HP-3001
Sierra	2.0L V6 CARB	E-4790		Bronco	5.8L V8 CARB	E-1290	HP-3001
Sierra	2.8L V6 F/I	33-2510		Capri III	2.0L V6 CARB	E-1080	
Thunderbird	2.3L L4 F/I	E-1931	HP-2004	Capri III	2.8L V6 F/I	33-2001	
Thunderbird	5.0L V8 F/I	E-1290	HP-3001	Escort	1.6L L4 CARB	E-1958	HP-2009
<b>1982 FORD</b>				Escort Express	1.6L L4 CARB	E-1280	
Bronco	4.9L L6 CARB	E-1350	HP-3001	Escort III	1.6L L4 CARB - 79BHP	E-1280	
Bronco	5.0L V8 CARB	E-1290	HP-3001	Escort III	1.6L L4 CARB - 97BHP	E-9090	
Bronco	5.8L V8 CARB	E-1290	HP-3001	F100	4.2L V8 CARB		HP-3001
Capri III	2.0L V6 CARB	E-1080		F100	4.9L L6 CARB	E-1040	HP-3001
Capri III	2.3L V6 CARB	E-4790		F100	5.0L V8 CARB	E-1290	HP-3001
Capri III	2.8L V6 F/I	33-2001		F100	5.8L V8 CARB	E-1290	HP-3001
E100 Econoline	4.9L L6 CARB	E-1040	HP-3001	F150	4.9L L6 CARB	E-1040	HP-3001
E100 Econoline Club Wagon	4.9L L6 CARB	E-1040	HP-3001	F150	5.0L V8 CARB	E-1290	HP-3001
E150 Econoline Club Wagon	4.9L L6 CARB	E-1040	HP-3001	F150	5.8L V8 CARB	E-1290	HP-3001
E350 Econoline	6.6L V8 CARB	E-1290	HP-3001	F250	4.9L L6 CARB	E-1040	HP-3001
E350 Econoline	7.5L V8 CARB	E-1570	HP-3001	F250	5.8L V8 CARB	E-1290	HP-3001
E350 Econoline Club Wagon	6.6L V8 CARB	E-1290	HP-3001	F250	6.6L V8 CARB	E-1290	HP-3001
E350 Econoline Club Wagon	7.5L V8 CARB	E-1570	HP-3001	Fairmont	3.3L L6 CARB	E-1350	HP-3001
Escort	1.6L L4 CARB	E-1958	HP-2009	Falcon	302 V8 CARB	E-1570	HP-3001
Escort Express	1.6L L4 CARB	E-1280		Falcon	351 V8 CARB	E-1570	HP-3001
Escort III	1.6L L4 CARB - 79BHP	E-1280		Falcon	4.0L L6 EFI		HP-3001
Escort III	1.6L L4 CARB - 97BHP	E-9090		Granada	2.3L L4 CARB	E-1200	HP-3001
Escort III	1.6L L4 F/I	33-2001		Granada	3.3L L6 CARB	E-1350	HP-3001
F100	3.8L V6 CARB	E-1325	HP-3001	Granada	4.2L V8 CARB	E-1180	HP-3001
F100	4.2L V8 CARB		HP-3001	Mustang	2.3L L4 CARB - exc. Turbo	E-1200	HP-3001
F100	4.9L L6 CARB	E-1350	HP-3001	Mustang	2.3L L4 CARB - Turbo	E-1200	HP-2004
F100	5.0L V8 CARB	E-1290	HP-3001	Mustang	3.3L L6 CARB	E-1350	HP-3001
F150	4.9L L6 CARB	E-1350	HP-3001	Mustang	4.2L V8 CARB	E-1180	HP-3001
F150	5.0L V8 CARB	E-1290	HP-3001	Taurus	2.0L V6 CARB	E-4790	
F150	5.8L V8 CARB	E-1290	HP-3001	Thunderbird	3.3L L6 CARB	E-1350	HP-3001
F250	4.9L L6 CARB	E-1350	HP-3001	Thunderbird	4.2L V8 CARB	E-1180	HP-3001
F250	5.0L V8 CARB	E-1290	HP-3001	Thunderbird	5.0L V8 CARB	E-1180	HP-3001
F250	5.8L V8 CARB	E-1290	HP-3001	<b>1980 FORD</b>			
F250	6.6L V8 CARB	E-1290	HP-3001	Bronco	300 L6 CARB	E-1040	HP-3001
F350	6.6L V8 CARB	E-1290	HP-3001	Bronco	302 V8 CARB	E-1290	HP-3001
Fairmont	3.3L L6 CARB	E-1350	HP-3001	Bronco	351 V8 CARB	E-1290	HP-3001
Fairmont	4.2L V8 CARB	E-1180	HP-3001	Capri III	2.0L V6 CARB	E-1080	
Falcon	4.0L L6 EFI		HP-3001	Capri III	2.3L V6 CARB	E-4790	
Fiesta I	1.1L L4 CARB	E-2473		Cortina	1.6L L4 CARB - OHC	E-1080	
Fiesta I	1.6L L4 CARB	E-1280		Cortina	2.3L V6 CARB	E-4790	
Granada	2.3L L4 CARB	E-1200	HP-3001	E100 Econoline	300 L6 CARB	E-1040	HP-3001
Granada	2.3L V6 2 BBL.	E-4790		E100 Econoline Club Wagon	300 L6 CARB	E-1040	HP-3001
Granada	2.3L V6 CARB	E-4790		E150 Econoline	351 V8 CARB	E-1290	HP-3001
Granada	2.5L L4 DSL	E-3740		E150 Econoline Club Wagon	351 V8 CARB	E-1290	HP-3001
Granada	2.8L V6 F/I	33-2013		E350 Econoline Club Wagon	460 V8 CARB	E-1570	HP-3001
Granada	3.3L L6 CARB	E-1350	HP-3001	Escort II	1.6L L4 CARB	33-2509	
LTD	4.2L V8 CARB	E-1290	HP-3001	Escort II	1.6L L4 CARB - Motorcraft	E-2566	
LTD	5.0L V8 CARB	E-1290	HP-3001				

\*Indicates 2 filters required

◆ - Intake kit available

Applications updated daily at [knfilters.com](http://knfilters.com) ®

# AIR & OIL FILTERS

# FORD

Vehicle	Engine Type	Air Filter	Oil Filter	Vehicle	Engine Type	Air Filter	Oil Filter
<b>1980 FORD</b>				<b>1979 FORD</b>			
Escort II	1.6L L4 CARB - Weber	E-1030		F250	351 V8 CARB	E-1290	HP-3001
Escort II	2.0L L4 CARB	33-2509		F250	400 V8 CARB	E-1290	HP-3001
Escort III	1.6L L4 CARB - 79BHP	E-1280		F250	460 V8 CARB	E-1570	HP-3001
Escort III	1.6L L4 CARB - 97BHP	E-9090		F350	351 V8 CARB	E-1290	HP-3001
F100	300 L6 CARB	E-1040	HP-3001	F350	400 V8 CARB	E-1290	HP-3001
F100	302 V8 CARB	E-1290	HP-3001	F350	460 V8 CARB	E-1570	HP-3001
F150	300 L6 CARB	E-1040	HP-3001	Fairmont	140 L4 CARB		HP-3001
F150	302 V8 CARB	E-1290	HP-3001	Fairmont	200 L6 CARB		HP-3001
F150	351 V8 CARB	E-1290	HP-3001	Fairmont	200 L6 CARB - Manual Trans.	E-1200	HP-3001
F250	300 L6 CARB	E-1040	HP-3001	Fairmont	302 V8 CARB - Long Filter		HP-3001
F250	302 V8 CARB	E-1290	HP-3001	Fairmont	302 V8 CARB - short filter		HP-2004
F250	351 V8 CARB	E-1290	HP-3001	Falcon	302 V8 CARB	E-1570	HP-3001
F250	400 V8 CARB	E-1290	HP-3001	Falcon	351 V8 CARB	E-1570	HP-3001
Fairmont	140 L4 CARB	E-1200	HP-3001	Granada	250 L6 CARB	E-1200	HP-3001
Fairmont	200 L6 CARB		HP-3001	LTD	302 V8 CARB	E-1290	HP-3001
Fairmont	255 V8 CARB	E-1180	HP-3001	LTD	351 V8 CARB	E-1290	HP-3001
Falcon	302 V8 CARB	E-1570	HP-3001	LTD II	302 V8 CARB	E-1290	HP-3001
Falcon	351 V8 CARB	E-1570	HP-3001	LTD II	351 V8 CARB	E-1290	HP-3001
Fiesta	1.6L L4 CARB	E-1280	HP-2009	Mustang	140 L4 CARB		HP-3001
Fiesta I	1.1L L4 CARB	E-2473		Mustang	171 V6 CARB		HP-3001
Granada	250 L6 CARB	E-1200	HP-3001	Mustang	200 L6 CARB		HP-3001
Granada	302 V8 CARB	E-1290	HP-3001	Mustang	302 V8 CARB	E-1180	HP-3001
Heavy Duty Truck	370 V8	E-1430		Pinto	140 L4 CARB	E-1200	HP-3001
LTD	302 V8 CARB	E-1290	HP-3001	Ranchero	351 V8 CARB	E-1290	HP-3001
LTD	351 V8 CARB	E-1290	HP-3001	Thunderbird	302 V8 CARB	E-1180	HP-3001
Mustang	140 L4 CARB	E-1200	HP-3001	Thunderbird	351 V8 CARB	E-1290	HP-3001
Mustang	200 L6 CARB	E-1350	HP-3001	<b>1978 FORD</b>			
Mustang	255 V8 CARB	E-1180	HP-3001	Bronco	351 V8 CARB	E-1290	HP-3001
Pinto	140 L4 CARB	E-1200	HP-3001	Bronco	400 V8 CARB	E-1290	HP-3001
Thunderbird	302 V8 CARB	E-1180	HP-3001	Capri II	2.3L V6 CARB	E-4790	
Transit 77	2.0L L4 CARB	E-3678		Capri III	3.0L V6 CARB	E-2640	
<b>1979 FORD</b>				Cortina	1.6L L4 CARB - OHC	E-1080	
Bronco	351 V8 CARB	E-1290	HP-3001	E350 Econoline	460 V8 CARB	E-1570	HP-3001
Bronco	400 V8 CARB	E-1290	HP-3001	E350 Econoline Club Wagon	460 V8 CARB	E-1570	HP-3001
Capri III	2.3L V6 CARB	E-4790		Escort II	1.6L L4 CARB	33-2509	
E150 Econoline	351 V8 CARB	E-1290	HP-3001	Escort II	1.6L L4 CARB - Motorcraft	E-2566	
E150 Econoline Club Wagon	302 V8 CARB	E-1290	HP-3001	Escort II	1.6L L4 CARB - Weber	E-1030	
E150 Econoline Club Wagon	351 V8 CARB	E-1290	HP-3001	Escort II	2.0L L4 CARB	33-2509	
E250 Econoline	460 V8 CARB	E-1570	HP-3001	F100	300 L6 CARB	E-1040	HP-3001
E250 Econoline Club Wagon	460 V8 CARB	E-1570	HP-3001	F100	302 V8 CARB	E-1290	HP-3001
E350 Econoline	460 V8 CARB	E-1570	HP-3001	F100	351 V8 CARB	E-1290	HP-3001
E350 Econoline Club Wagon	460 V8 CARB	E-1570	HP-3001	F100	400 V8 CARB	E-1290	HP-3001
Escort II	1.3L L4 CARB - Exc., 70BHP	E-2566		F150	300 L6 CARB	E-1040	HP-3001
Escort II	1.6L L4 CARB	33-2509		F150	302 V8 CARB	E-1290	HP-3001
Escort II	1.6L L4 CARB - Motorcraft	E-2566		F150	351 V8 CARB	E-1290	HP-3001
Escort II	1.6L L4 CARB - Weber	E-1030		F150	400 V8 CARB	E-1290	HP-3001
Escort II	2.0L L4 CARB	33-2509		F150	460 V8 CARB	E-1570	HP-3001
F100	300 L6 CARB	E-1040	HP-3001	F250	300 L6 CARB	E-1040	HP-3001
F100	302 V8 CARB	E-1290	HP-3001	F250	302 V8 CARB	E-1290	HP-3001
F100	351 V8 CARB	E-1290	HP-3001	F250	351 V8 CARB	E-1290	HP-3001
F100	400 V8 CARB	E-1290	HP-3001	F250	400 V8 CARB	E-1290	HP-3001
F100	460 V8 CARB	E-1570	HP-3001	F250	460 V8 CARB	E-1570	HP-3001
F150	300 L6 CARB	E-1040	HP-3001	F350	460 V8 CARB	E-1570	HP-3001
F150	302 V8 CARB	E-1290	HP-3001	Fairmont	200 L6 CARB		HP-3001
F150	351 V8 CARB	E-1290	HP-3001	Fairmont	302 V8 CARB	E-1180	
F150	400 V8 CARB	E-1290	HP-3001	Fairmont	302 V8 CARB - Long Filter	E-1180	HP-3001
F150	460 V8 CARB	E-1570	HP-3001	Fairmont	302 V8 CARB - short filter	E-1180	HP-2004
F250	300 L6 CARB	E-1040	HP-3001	Falcon	302 V8 CARB	E-1570	HP-3001
F250	302 V8 CARB	E-1290	HP-3001	Falcon	351 V8 CARB	E-1570	HP-3001

\*Indicates 2 filters required

◆ - Intake kit available

Applications updated daily at [knfilters.com](http://knfilters.com) ®

**Partial Listing - Complete List of Vehicles and Applications at [knfilters.com](http://knfilters.com)**

# FORD

# AIR & OIL FILTERS

Vehicle	Engine Type	Air Filter	Oil Filter	Vehicle	Engine Type	Air Filter	Oil Filter
<b>1978 FORD</b>				<b>1976 FORD</b>			
Granada	302 V8 CARB	E-1290	HP-3001	Escort II	1.6L L4 CARB - Motorcraft	E-2566	
LTD	351 V8 CARB	E-1290	HP-3001	Escort II	1.6L L4 CARB - Weber	E-1030	
LTD	460 V8 CARB - VIN A	E-1580	HP-3001	Escort II	2.0L L4 CARB	33-2509	
LTD	460 V8 CARB - VIN C	E-1570	HP-3001	F100	300 L6 CARB	E-1200	HP-3001
LTD II	302 V8 CARB	E-1290	HP-3001	F100	302 V8 CARB	E-1290	HP-3001
LTD II	351 V8 CARB	E-1290	HP-3001	F100	360 V8 CARB	E-1570	HP-3001
Mustang II	140 L4 CARB		HP-3001	F100	390 V8 CARB	E-1570	HP-3001
Mustang II	171 V6 CARB		HP-2004	F150	300 L6 CARB	E-1200	HP-3001
Mustang II	302 V8 CARB	E-1180	HP-2004	F150	302 V8 CARB	E-1290	HP-3001
Pinto	140 L4 CARB		HP-3001	F150	360 V8 CARB	E-1570	HP-3001
Ranchero	351 V8 CARB	E-1290	HP-3001	F150	390 V8 CARB	E-1570	HP-3001
Thunderbird	302 V8 CARB	E-1290	HP-3001	F150	460 V8 CARB	E-1570	HP-3001
Transit 77	2.0L L4 CARB	E-3678		F250	360 V8 CARB	E-1570	HP-3001
<b>1977 FORD</b>				<b>1975 FORD</b>			
Bronco	302 V8 CARB	E-1040	HP-3001	Bronco	302 V8 CARB	E-1040	HP-3001
E350 Econoline	460 V8 CARB	E-1580	HP-3001	Cortina	1.6L L4 CARB - OHC	E-1080	
E350 Econoline Club Wagon	460 V8 CARB	E-1580	HP-3001	Escort II	1.6L L4 CARB	33-2509	
Escort II	1.6L L4 CARB - Weber	E-1030		Escort II	1.6L L4 CARB - Motorcraft	E-2566	
Escort II	2.0L L4 CARB	33-2509		Escort II	1.6L L4 CARB - Weber	E-1030	
F100	300 L6 CARB	E-1040	HP-3001	Escort II	2.0L L4 CARB	33-2509	
F100	302 V8 CARB	E-1290	HP-3001	F100	302 V8 CARB	E-1290	HP-3001
F100	351 V8 CARB	E-1290	HP-3001	F100	360 V8 CARB	E-1570	HP-3001
F100	400 V8 CARB	E-1290	HP-3001	F100	390 V8 CARB	E-1570	HP-3001
F100	460 V8 CARB	E-1570	HP-3001	F150	460 V8 CARB	E-1570	HP-3001
F150	300 L6 CARB	E-1200	HP-3001	F150	302 V8 CARB	E-1290	HP-3001
F150	302 V8 CARB	E-1290	HP-3001	F150	360 V8 CARB	E-1570	HP-3001
F150	351 V8 CARB	E-1290	HP-3001	F150	390 V8 CARB	E-1570	HP-3001
F150	400 V8 CARB	E-1290	HP-3001	F150	460 V8 CARB	E-1570	HP-3001
F150	460 V8 CARB	E-1570	HP-3001	F250	360 V8 CARB	E-1570	HP-3001
F250	351 V8 CARB	E-1290	HP-3001	F250	390 V8 CARB	E-1570	HP-3001
F250	400 V8 CARB	E-1290	HP-3001	F250	460 V8 CARB	E-1570	HP-3001
F250	460 V8 CARB	E-1570	HP-3001	F350	460 V8 CARB	E-1570	HP-3001
F350	400 V8 CARB	E-1290	HP-3001	Falcon	302 V8 CARB	E-1570	HP-3001
F350	460 V8 CARB	E-1570	HP-3001	Falcon	351 V8 CARB	E-1570	HP-3001
Falcon	351 V8 CARB	E-1570	HP-3001	Gran Torino	460 V8 CARB		HP-3001
Granada	302 V8 CARB	E-1180	HP-3001	Granada	302 V8 CARB	E-1300	HP-3001
LTD	460 V8 CARB - VIN C	E-1570	HP-3001	Maverick	250 L6 CARB	E-1200	HP-3001
LTD II	351 V8 CARB	E-1290	HP-3001	Maverick	302 V8 CARB	E-1300	HP-3001
Maverick	200 L6 CARB	E-1200	HP-3001	Mustang II	140 L4 CARB	E-1200	HP-3001
Maverick	250 L6 CARB	E-1200	HP-3001	Mustang II	171 V6 CARB	E-1350	HP-2004
Maverick	302 V8 CARB	E-1180	HP-3001	Mustang II	302 V8 CARB	E-1550	
Mustang II	140 L4 CARB		HP-3001	Mustang II	302 V8 CARB - Long	E-1550	HP-3001
Mustang II	171 V6 CARB		HP-2004	Mustang II	Filter		
Mustang II	302 V8 CARB	E-1180		Mustang II	302 V8 CARB - short filter	E-1550	HP-2004
Mustang II	302 V8 CARB - Long	E-1180	HP-3001	Pinto	140 L4 CARB	E-1200	HP-3001
Mustang II	302 V8 CARB - short filter	E-1180	HP-2004	Ranchero	351 V8 CARB		HP-3001
Pinto	140 L4 CARB		HP-3001				
Ranchero	302 V8 CARB	E-1290	HP-3001				
Ranchero	351 V8 CARB	E-1290	HP-3001				
Ranchero	400 V8 CARB	E-1300	HP-3001				
Thunderbird	351 V8 CARB	E-1290	HP-3001				
<b>1976 FORD</b>							
Bronco	302 V8 CARB	E-1040	HP-3001				
Capri II	1.6L L4 CARB - Exc., 88BHP	E-1080					
E150 Econoline	351 V8 CARB	E-1290	HP-3001				
E150 Econoline Club Wagon	351 V8 CARB	E-1290	HP-3001				
E250 Econoline Club Wagon	351 V8 CARB	E-1290	HP-3001				
Elite	351 V8 CARB	E-1300	HP-3001				
Escort II	1.6L L4 CARB	33-2509					

\*Indicates 2 filters required

◆ - Intake kit available

Applications updated daily at [knfilters.com](http://knfilters.com) ®

# AIR & OIL FILTERS

# FORD

Vehicle	Engine Type	Air Filter	Oil Filter	Vehicle	Engine Type	Air Filter	Oil Filter
<b>1974 FORD</b>				<b>1973 FORD</b>			
Bronco	302 V8 CARB	E-1040		Maverick	200 L6 CARB	E-1200	HP-3001
Bronco	302 V8 CARB - exc. cart. type	E-1040	HP-3001	Maverick	250 L6 CARB	E-1350	HP-3001
Capri II	1.6L L4 CARB - Exc., 88BHP	E-1080		Maverick	302 V8 CARB	E-1300	HP-3001
Cortina	1.6L L4 CARB - OHC	E-1080		Mustang	250 L6 CARB	E-1350	HP-3001
Courier	1.8L L4 CARB	E-2890		Mustang	302 V8 CARB	E-1325	HP-3001
Escort I	1.6L L4 CARB - Motorcraft	E-2566		Mustang	351 V8 CARB		HP-3001
Escort I	1.6L L4 CARB - Weber	E-1030		Mustang	351 V8 CARB - exc. Police Package	E-1580	HP-3001
Escort II	1.6L L4 CARB	33-2509		Mustang	351 V8 CARB - Police Package	E-1570	HP-3001
Escort II	1.6L L4 CARB - Motorcraft	E-2566		Pinto	122 L4 CARB	E-1210	HP-3001
Escort II	1.6L L4 CARB - Weber	E-1030		Pinto	98 L4 CARB	E-1050	HP-2009
F100 Pickup	302 V8 CARB	E-1290	HP-3001	Thunderbird	429 V8 CARB		HP-3001
F100 Pickup	360 V8 CARB	E-1570	HP-3001	Thunderbird	460 V8 CARB	E-1580	HP-3001
F100 Pickup	390 V8 CARB	E-1570	HP-3001	Torino	302 V8 CARB	E-1300	HP-3001
F100 Pickup	460 V8 CARB	E-1570	HP-3001	Torino	351 V8 2 BBL.	E-1300	HP-3001
F250 Pickup	360 V8 CARB	E-1570	HP-3001	Torino	351 V8 4 BBL.	E-1580	HP-3001
F250 Pickup	390 V8 CARB	E-1570	HP-3001	<b>1972 FORD</b>			
F250 Pickup	460 V8 CARB	E-1570	HP-3001	Bronco	302 V8 CARB	E-1040	
Falcon	351 V8 CARB	E-1570	HP-3001	Bronco	302 V8 CARB - exc. cart. type	E-1040	HP-3001
Galaxie 500	351 V8 CARB	E-1300	HP-3001	Capri	1.6L L4 CARB - Exc., 88BHP	E-1080	
Gran Torino	302 V8 CARB	E-1300	HP-3001	Capri	3.0L V6 CARB	E-2640	
Gran Torino	351 V8 CARB		HP-3001	Cortina Mk3/4/5	1.6L L4 CARB - Weber	E-1030	
Gran Torino	400 V8 CARB	E-1580	HP-3001	F100 Pickup	302 V8 CARB	E-1570	HP-3001
LTD	351 V8 CARB	E-1300	HP-3001	F100 Pickup	360 V8 CARB	E-1570	HP-3001
LTD	460 V8 CARB	E-1580	HP-3001	F100 Pickup	390 V8 CARB	E-1570	HP-3001
Maverick	200 L6 CARB	E-1200	HP-3001	F250 Pickup	360 V8 CARB	E-1570	HP-3001
Maverick	250 L6 CARB	E-1350	HP-3001	F250 Pickup	390 V8 CARB	E-1570	HP-3001
Maverick	302 V8 CARB	E-1300	HP-3001	Falcon	351 V8 CARB - Auto Trans.	E-1570	HP-3001
Mustang II	122 L4 CARB	E-1200	HP-3001	Falcon	351 V8 CARB - Manual Trans.	E-1560	HP-3001
Mustang II	140 L4 CARB	E-1200	HP-3001	Gran Torino	302 V8 CARB	E-1300	HP-3001
Mustang II	171 V6 CARB	E-1350	HP-2004	Gran Torino	351 V8 CARB		HP-3001
Pinto	122 L4 CARB	E-1200	HP-3001	Gran Torino	429 V8 CARB	E-1570	HP-3001
Pinto	140 L4 CARB	E-1200	HP-3001	Maverick	200 L6 CARB	E-1200	HP-3001
Ranchero	351 V8 2 BBL.	E-1300	HP-3001	Maverick	250 L6 CARB	E-1350	HP-3001
Ranchero	351 V8 4 BBL.	E-1580	HP-3001	Maverick	302 V8 CARB	E-1300	HP-3001
Torino	351 V8 2 BBL.	E-1300	HP-3001	Mustang	250 L6 CARB	E-1350	HP-3001
Torino	351 V8 4 BBL.		HP-3001	Mustang	302 V8 CARB	E-1300	HP-3001
<b>1973 FORD</b>				Mustang	351 V8 CARB		HP-3001
Bronco	302 V8 CARB	E-1040		Mustang	351 V8 CARB - w/o ram air	E-1300	HP-3001
Bronco	302 V8 CARB - exc. cart. type	E-1040	HP-3001	Mustang	351 V8 CARB - w/ram air	E-1570	HP-3001
Capri	1.3L L4 CARB	E-1030		Pinto	122 L4 CARB	E-1210	HP-3001
Escort I	1.6L L4 CARB - Weber	E-1030		Pinto	98 L4 CARB	E-1050	HP-2009
F100 Pickup	240 L6 CARB	E-1200	HP-3001	Ranchero	351 V8 2 BBL.	E-1300	HP-3001
F100 Pickup	302 V8 CARB	E-1290	HP-3001	Ranchero	351 V8 4 BBL.		HP-3001
F100 Pickup	360 V8 CARB	E-1570	HP-3001	Ranchero	429 V8 CARB	E-1570	HP-3001
F100 Pickup	390 V8 CARB	E-1570	HP-3001	Thunderbird	460 V8 CARB	E-1570	HP-3001
F100 Pickup	460 V8 CARB	E-1570	HP-3001	Torino	302 V8 CARB	E-1300	HP-3001
F250 Pickup	360 V8 CARB	E-1570	HP-3001	Torino	351 V8 2 BBL.	E-1300	HP-3001
F250 Pickup	390 V8 CARB	E-1570	HP-3001	Torino	351 V8 4 BBL.		HP-3001
F250 Pickup	460 V8 CARB	E-1570	HP-3001	<b>1971 FORD</b>			
F350 Pickup	390 V8 CARB	E-1570	HP-3001	Bronco	302 V8 CARB	E-1040	
F350 Pickup	460 V8 CARB	E-1570	HP-3001	Bronco	302 V8 CARB - exc. cart. type	E-1040	HP-3001
Falcon	351 V8 CARB - Auto Trans.	E-1570	HP-3001	Escort I	1.6L L4 CARB - Weber	E-1030	
Falcon	351 V8 CARB - Manual Trans.	E-1560	HP-3001	F100 Pickup	300 L6 CARB	E-1200	HP-3001
Gran Torino	302 V8 CARB	E-1300	HP-3001	F100 Pickup	302 V8 CARB	E-1570	HP-3001
Gran Torino	351 V8 CARB		HP-3001	F100 Pickup	360 V8 CARB	E-1570	HP-3001
Gran Torino	400 V8 CARB	E-1580	HP-3001	F100 Pickup	390 V8 CARB	E-1570	HP-3001
Gran Torino	429 V8 CARB	E-1580	HP-3001	F250 Pickup	360 V8 CARB	E-1570	HP-3001
LTD	351 V8 CARB		HP-3001	F250 Pickup	390 V8 CARB	E-1570	HP-3001
LTD	400 V8 CARB		HP-3001				

\*Indicates 2 filters required

◆ - Intake kit available

Applications updated daily at [knfilters.com](http://knfilters.com) ®

**Partial Listing - Complete List of Vehicles and Applications at [knfilters.com](http://knfilters.com)**

# FORD

# AIR & OIL FILTERS

Vehicle	Engine Type	Air Filter	Oil Filter	Vehicle	Engine Type	Air Filter	Oil Filter
<b>1971 FORD</b>				<b>1970 FORD</b>			
Falcon	250 L6 CARB	E-1350	HP-3001	Mustang	351 V8 CARB - w/ram air	E-1580	HP-3001
Falcon	302 V8 CARB - Cleveland	E-2740	HP-3001	Mustang	428 V8 CARB	E-1560	HP-3001
Falcon	302 V8 CARB - Windsor	E-1040	HP-3001	Mustang	429 V8 CARB	E-1560	HP-3001
Falcon	351 V8 CARB - Auto Trans.	E-1570	HP-3001	Thunderbird	429 V8 CARB	E-1570	HP-3001
Falcon	351 V8 CARB - Manual Trans.	E-1560	HP-3001	Torino	351 V8 CARB		HP-3001
Maverick	302 V8 CARB	E-1570	HP-3001	Torino	351 V8 CARB - w/o ram air	E-1570	HP-3001
Mustang	250 L6 CARB	E-1350	HP-3001	Torino	351 V8 CARB - w/ram air	E-1580	HP-3001
Mustang	302 V8 CARB		HP-3001	Torino	429 V8 CARB - VIN C	E-1560	HP-3001
Mustang	302 V8 CARB - w/o ram air	E-1560	HP-3001	Torino	429 V8 CARB - VIN J	E-1570	HP-3001
Mustang	302 V8 CARB - w/ram air	E-1570	HP-3001	Torino	429 V8 CARB - VIN N	E-1580	HP-3001
Mustang	351 V8 2 BBL.	E-1570	HP-3001	<b>1969 FORD</b>			
Mustang	351 V8 4 BBL.	E-1560	HP-3001	Bronco	302 V8 CARB	E-1040	
Mustang	429 V8 CARB		HP-3001	Bronco	302 V8 CARB - exc. cart. type	E-1040	HP-3001
Mustang	429 V8 CARB - SCJ, w/o ram air, GPD Carb.	E-1560	HP-3001	Capri	1.6L L4 CARB	E-1030	HP-2005
Mustang	429 V8 CARB - w/ram air, w/ Rochester Carb.	E-1570	HP-3001	Cortina	1.6L L4 CARB		HP-2005
Pinto	122 L4 CARB	E-1210	HP-3001	Cortina	1.6L L4 CARB - Non-US	E-2473	HP-2005
Thunderbird	429 V8 CARB	E-1570	HP-3001	Cortina	1.6L L4 CARB - US	E-1030	HP-2005
Torino	302 V8 CARB	E-1570	HP-3001	F100 Pickup	300 L6 CARB	E-1030	HP-3001
Torino	351 V8 CARB	E-1570	HP-3001	F100 Pickup	302 V8 CARB	E-1040	HP-3001
Torino	429 V8 CARB		HP-3001	F100 Pickup	360 V8 CARB	E-1570	HP-3001
<b>1970 FORD</b>				F100 Pickup	390 V8 CARB	E-1570	HP-3001
Bronco	170 L6 CARB	E-1200	HP-3001	F250 Pickup	360 V8 CARB	E-1570	HP-3001
Bronco	302 V8 CARB	E-1040		F250 Pickup	390 V8 CARB		HP-3001
Bronco	302 V8 CARB - exc. cart. type	E-1040	HP-3001	F250 Pickup	390 V8 CARB - w/ Rochester Carb.	E-1570	HP-3001
Capri	1.6L L4 CARB	E-1030	HP-2005	F250 Pickup	390 V8 CARB - w/GPD Carb.	E-1560	HP-3001
Cortina	1.6L L4 CARB		HP-2005	F350 Pickup	390 V8 CARB	E-1570	HP-3001
Cortina	1.6L L4 CARB - Lotus	E-9108	HP-2005	Fairlane	302 V8 CARB	E-1570	HP-3001
Cortina Mk3/4/5	1.6L L4 CARB	E-1030		Fairlane	351 V8 CARB	E-1570	HP-3001
Cortina Mk3/4/5	1.6L L4 CARB - OHV, Ford Carb.	E-2566		Fairlane	428 V8 CARB	E-1560	HP-3001
Escort I	1.6L L4 CARB - Weber	E-1030		Falcon	302 V8 CARB	E-1570	HP-3001
F100 Pickup	240 L6 CARB	E-1200	HP-3001	Falcon	302 V8 CARB - Cleveland, Australian	E-2740	HP-3001
F100 Pickup	300 L6 CARB	E-1200	HP-3001	Falcon	302 V8 CARB - Windsor, Australian	E-1040	HP-3001
F100 Pickup	302 V8 CARB	E-1570	HP-3001	Falcon	351 V8 CARB - Auto Trans.	E-1570	HP-3001
F100 Pickup	360 V8 CARB	E-1570	HP-3001	Falcon	351 V8 CARB - Manual Trans.	E-1560	HP-3001
F100 Pickup	390 V8 CARB	E-1570	HP-3001	Galaxie 500	429 V8 CARB	E-1570	HP-3001
F250 Pickup	360 V8 CARB	E-1570	HP-3001	Mustang	200 L6 CARB	E-1030	HP-3001
F250 Pickup	390 V8 CARB	E-1570	HP-3001	Mustang	250 L6 CARB	E-1350	HP-3001
Fairlane	302 V8 CARB	E-1570	HP-3001	Mustang	302 V8 CARB	E-1570	HP-3001
Falcon	250 L6 CARB	E-1350	HP-3001	Mustang	351 V8 CARB	E-1570	HP-3001
Falcon	302 V8 CARB	E-1570	HP-3001	Mustang	390 V8 CARB	E-1570	HP-3001
Falcon	302 V8 CARB - Cleveland, Australian	E-2740	HP-3001	Mustang	428 V8 CARB	E-1560	HP-3001
Falcon	302 V8 CARB - Windsor, Australian	E-1040	HP-3001	Mustang	429 V8 CARB	E-1560	HP-3001
Falcon	351 V8 CARB		HP-3001	Thunderbird	429 V8 CARB	E-1570	HP-3001
Falcon	351 V8 CARB - Auto Trans.	E-1570	HP-3001	Torino	302 V8 CARB	E-1570	HP-3001
Falcon	351 V8 CARB - Manual Trans.	E-1560	HP-3001	Torino	351 V8 CARB	E-1570	HP-3001
Galaxie 500	351 V8 CARB	E-1570	HP-3001	Torino	390 V8 CARB	E-1560	HP-3001
Maverick	200 L6 CARB	E-1200	HP-3001	Torino	428 V8 CARB	E-1560	HP-3001
Maverick	250 L6 CARB	E-1350	HP-3001	<b>1968 FORD</b>			
Mustang	200 L6 CARB	E-1200	HP-3001	Bronco	289 V8 CARB	E-1040	
Mustang	250 L6 CARB	E-1350	HP-3001	Bronco	289 V8 CARB - exc. cart. type	E-1040	HP-3001
Mustang	302 V8 CARB		HP-3001	Bronco	302 V8 CARB	E-1040	
Mustang	302 V8 CARB - 2 BBL	E-1570	HP-3001	Bronco	302 V8 CARB - exc. cart. type	E-1040	HP-3001
Mustang	302 V8 CARB - 4 BBL	E-1560	HP-3001	Cortina	1.6L L4 CARB	E-2473	HP-2005
Mustang	351 V8 CARB		HP-3001	F100 Pickup	300 L6 CARB	E-1030	HP-3001
Mustang	351 V8 CARB - w/o ram air	E-1570	HP-3001	F100 Pickup	360 V8 CARB	E-1570	HP-3001

\*Indicates 2 filters required

◆ - Intake kit available

Applications updated daily at [knfilters.com](http://knfilters.com) ®



# AIR & OIL FILTERS

# FORD

Vehicle	Engine Type	Air Filter	Oil Filter	Vehicle	Engine Type	Air Filter	Oil Filter
<b>1968 FORD</b>				<b>1966 FORD</b>			
F100 Pickup	390 V8 CARB	E-1570	HP-3001	F100 Pickup	300 L6 CARB - exc. cart. type	E-1040	HP-3001
F250 Pickup	360 V8 CARB	E-1570	HP-3001	F100 Pickup	352 V8 CARB	E-1110	
F250 Pickup	390 V8 CARB	E-1570	HP-3001	F100 Pickup	352 V8 CARB - exc. cart. type	E-1110	HP-3001
Fairlane	302 V8 CARB	E-1570	HP-3001	F250 Pickup	352 V8 CARB - exc. cart. type		HP-3001
Fairlane	428 V8 CARB	E-1560	HP-3001	Fairlane	289 V8 CARB	E-1040	HP-3001
Falcon	170 L6 CARB	E-1030	HP-3001	Fairlane	390 V8 CARB	E-1090	HP-3001
Falcon	289 V8 CARB	E-1570	HP-3001	Fairlane	427 V8 CARB	E-1960	HP-3001
Falcon	302 V8 CARB	E-1570	HP-3001	Falcon	170 L6 CARB	E-1080	HP-3001
Falcon	302 V8 CARB - Cleveland, Australian	E-2740	HP-3001	Falcon	200 L6 CARB	E-1080	HP-3001
Falcon	302 V8 CARB - Windsor, Australian	E-1040	HP-3001	Falcon	289 V8 CARB	E-1040	HP-3001
Galaxie 500	302 V8 CARB	E-1570	HP-3001	Galaxie	289 V8 CARB	E-1040	HP-3001
Galaxie 500	390 V8 CARB	E-1570	HP-3001	Galaxie	427 V8 CARB	E-1560	HP-3001
Galaxie 500	427 V8 CARB	E-1560	HP-3001	Galaxie	428 V8 CARB	E-1560	HP-3001
Galaxie 500	428 V8 CARB	E-1560	HP-3001	Galaxie 500	289 V8 CARB	E-1040	HP-3001
LTD	390 V8 CARB	E-1570	HP-3001	Galaxie 500	352 V8 CARB	E-1090	HP-3001
Mustang	200 L6 CARB	E-1030	HP-3001	Galaxie 500	390 V8 CARB	E-1090	HP-3001
Mustang	289 V8 CARB	E-1570	HP-3001	Galaxie 500	427 V8 CARB	E-1560	HP-3001
Mustang	302 V8 CARB	E-1570	HP-3001	Mustang	200 L6 CARB	E-1080	HP-3001
Mustang	390 V8 CARB	E-1570	HP-3001	Mustang	289 V8 CARB	E-1090	HP-3001
Mustang	427 V8 CARB	E-1560	HP-3001	Thunderbird	390 V8 CARB	E-1090	HP-3001
Mustang	428 V8 CARB	E-1560	HP-3001	Thunderbird	428 V8 CARB	E-1090	HP-3001
Thunderbird	429 V8 CARB	E-1570	HP-3001	<b>1965 FORD</b>			
Torino	302 V8 CARB	E-1570	HP-3001	Cortina GT	1.5L L4 CARB	E-2640	
<b>1967 FORD</b>				Custom 500	427 V8 CARB		HP-3001
Bronco	289 V8 CARB	E-1040	HP-3001	Custom 500	427 V8 CARB - Calif.	E-1080	HP-3001
Econoline	240 L6 CARB - exc. cart. type		HP-3001	Custom 500	427 V8 CARB - exc. Calif	E-1090	HP-3001
F100 Pickup	240 L6 CARB - exc. cart. type		HP-3001	F100 Pickup	240 L6 CARB - Spin On		HP-3001
F100 Pickup	300 L6 CARB - exc. cart. type		HP-3001	F100 Pickup	300 L6 CARB - Spin On		HP-3001
F100 Pickup	352 V8 CARB	E-1110		F100 Pickup	352 V8 CARB	E-1110	
F100 Pickup	352 V8 CARB - 2WD	E-1110	HP-3001	F100 Pickup	352 V8 CARB - Spin On	E-1110	HP-3001
F250 Pickup	352 V8 CARB	E-1110		Fairlane	289 V8 CARB		HP-3001
F250 Pickup	352 V8 CARB - 2WD	E-1110	HP-3001	Fairlane	427 V8 CARB	E-1560	HP-3001
F350 Pickup	352 V8 CARB - 2WD	E-1110	HP-3001	Falcon	170 L6 CARB	E-1080	HP-3001
Fairlane	289 V8 CARB	E-1040	HP-3001	Falcon	200 L6 CARB	E-1080	HP-3001
Fairlane	390 V8 CARB	E-1090	HP-3001	Falcon	289 V8 CARB		HP-3001
Fairlane	427 V8 CARB	E-1960	HP-3001	Falcon	289 V8 CARB - 2 BBL	E-2865	HP-3001
Falcon	289 V8 CARB	E-1040	HP-3001	Falcon	289 V8 CARB - 4 BBL	E-1040	HP-3001
Falcon	351 V8 CARB - Auto Trans.	E-1570	HP-3001	Falcon Sedan Delivery	170 L6 CARB	E-1080	HP-3001
Falcon	351 V8 CARB - Manual Trans.	E-1560	HP-3001	Falcon Sedan Delivery	200 L6 CARB	E-1080	HP-3001
Galaxie	289 V8 CARB	E-1040	HP-3001	Falcon Sedan Delivery	289 V8 CARB		HP-3001
Galaxie	390 V8 CARB	E-1090	HP-3001	Falcon Sedan Delivery	289 V8 CARB - 2 BBL	E-2865	HP-3001
Galaxie	427 V8 CARB	E-1560	HP-3001	Falcon Sedan Delivery	289 V8 CARB - 4 BBL	E-1040	HP-3001
Galaxie 500	289 V8 CARB	E-1040	HP-3001	Galaxie	390 V8 CARB	E-1090	HP-3001
Galaxie 500	390 V8 CARB	E-1090	HP-3001	Galaxie	427 V8 CARB	E-1960	HP-3001
Galaxie 500	427 V8 CARB	E-1560	HP-3001	Galaxie 500	289 V8 CARB	E-1040	HP-3001
Mustang	200 L6 CARB	E-1080	HP-3001	Galaxie 500	352 V8 CARB	E-1090	HP-3001
Mustang	289 V8 CARB	E-1040	HP-3001	Galaxie 500	390 V8 CARB	E-1090	HP-3001
Mustang	390 V8 CARB	E-1560	HP-3001	Galaxie 500	427 V8 CARB	E-1960	HP-3001
Mustang	390 V8 CARB	E-1560	HP-3001	LTD	427 V8 CARB	E-1960	HP-3001
Thunderbird	390 V8 CARB	E-1560	HP-3001	Mustang	170 L6 CARB	E-1080	HP-3001
Thunderbird	427 V8 CARB	E-1560	HP-3001	Mustang	200 L6 CARB	E-1080	HP-3001
<b>1966 FORD</b>				Mustang	289 V8 CARB		HP-3001
Bronco	170 L6 CARB	E-1080	HP-3001	Mustang	289 V8 CARB - exc. Hi Perf.	E-1090	HP-3001
Bronco	289 V8 CARB	E-1040	HP-3001	Mustang	289 V8 CARB - Hi Perf.	E-1560	HP-3001
Cortina GT	1.5L L4 CARB	E-2640		Ranchero	289 V8 CARB	E-1040	HP-3001
Econoline	240 L6 CARB - exc. cart. type		HP-3001				
F100 Pickup	240 L6 CARB - exc. cart. type		HP-3001				
F100 Pickup	300 L6 CARB	E-1040					

\*Indicates 2 filters required

◆ - Intake kit available

Applications updated daily at [knfilters.com](http://knfilters.com) ®

**Partial Listing - Complete List of Vehicles and Applications at [knfilters.com](http://knfilters.com)**

# FORD

# AIR & OIL FILTERS

Vehicle	Engine Type	Air Filter	Oil Filter
<b>1965 FORD</b>			
Thunderbird	390 V8 CARB		HP-3001
Thunderbird	390 V8 CARB - Calif.	E-1080	HP-3001
Thunderbird	390 V8 CARB - exc. Calif	E-1090	HP-3001

<b>1964 FORD</b>			
F100 Pickup	223 L6 CARB	E-1080	HP-3001
F100 Pickup	292 V8 CARB	E-1040	HP-3001
Fairlane	260 V8 CARB	E-1040	HP-3001
Fairlane	289 V8 CARB	E-1040	HP-3001
Fairlane	427 V8 CARB	E-1960	HP-3001
Falcon	260 V8 CARB	E-1040	HP-3001
Falcon	289 V8 CARB	E-1040	HP-3001
Falcon Sedan Delivery	260 V8 CARB	E-1040	HP-3001
Galaxie	390 V8 CARB	E-1960	HP-3001
Galaxie 500	289 V8 CARB	E-1040	HP-3001
Galaxie 500	352 V8 CARB	E-1110	HP-3001
Galaxie 500	390 V8 CARB	E-1960	HP-3001
Mustang	170 L6 CARB	E-1080	HP-3001
Mustang	200 L6 CARB	E-1080	HP-3001
Mustang	260 V8 CARB	E-1080	HP-3001
Mustang	289 V8 CARB		HP-3001
Mustang	289 V8 CARB - exc. Hi Perf.	E-1080	HP-3001
Mustang	289 V8 CARB - Hi Perf.	E-1090	HP-3001
Thunderbird	390 V8 CARB	E-1110	HP-3001
Thunderbird	427 V8 CARB	E-1960	HP-3001

<b>1963 FORD</b>			
Fairlane	221 V8 CARB	E-1040	HP-3001
Fairlane	289 V8 CARB	E-1040	HP-3001
Falcon	170 L6 CARB	E-1080	HP-3001
Falcon	260 V8 CARB	E-1040	HP-3001
Falcon Sedan Delivery	260 V8 CARB	E-1040	HP-3001
Galaxie	390 V8 CARB	E-1110	HP-3001
Galaxie	406 V8 CARB	E-1960	HP-3001
Galaxie 500	352 V8 CARB	E-1110	HP-3001
Galaxie 500	390 V8 CARB	E-1110	HP-3001
Galaxie 500	406 V8 CARB	E-1960	HP-3001
Thunderbird	390 V8 CARB	E-1110	HP-3001
Thunderbird	410 V8 CARB	E-1960	HP-3001
Thunderbird	427 V8 CARB	E-1960	HP-3001

<b>1962 FORD</b>			
F100 Pickup	223 L6 CARB	E-1080	HP-3001
Falcon	144 L6 CARB	E-1080	HP-3001
Falcon	170 L6 CARB	E-1080	HP-3001
Falcon Sedan Delivery	144 L6 CARB	E-1080	HP-3001
Galaxie	390 V8 CARB	E-1960	HP-3001
Galaxie	406 V8 CARB		HP-3001
Galaxie 500	352 V8 CARB		HP-3001
Galaxie 500	390 V8 CARB	E-1960	HP-3001
Galaxie 500	406 V8 CARB		HP-3001
Ranchero	170 L6 CARB	E-1070	HP-3001
Thunderbird	390 V8 CARB		HP-3001
Thunderbird	410 V8 CARB	E-1960	HP-3001

<b>1961 FORD</b>			
Falcon	144 L6 CARB	E-1080	HP-3001
Falcon	170 L6 CARB	E-1080	HP-3001
Falcon Sedan Delivery	144 L6 CARB	E-1080	HP-3001
Falcon Sedan Delivery	170 L6 CARB	E-1080	HP-3001
Galaxie	352 V8 CARB	E-1960	HP-3001

Vehicle	Engine Type	Air Filter	Oil Filter
<b>1961 FORD</b>			
Thunderbird	390 V8 CARB		HP-3001
<b>1960 FORD</b>			
Falcon	144 L6 CARB	E-1080	HP-3001
Thunderbird	352 V8 CARB		HP-3001

<b>1957 FORD</b>			
Thunderbird	292 V8 CARB		HP-3001
Thunderbird	312 V8 CARB		HP-3001

<b>2003 FREIGHTLINER</b>			
FL50	5.9L DSL - OEM 3942470		FF-9800
FL60	5.9L DSL - OEM 3942470		FF-9800
FL70	5.9L DSL - OEM 3942470		FF-9800

<b>2002 FREIGHTLINER</b>			
FL50	5.9L DSL - OEM 3942470		FF-9800
FL60	5.9L DSL - OEM 3942470		FF-9800
FL70	5.9L DSL - OEM 3942470		FF-9800

<b>2001 FREIGHTLINER</b>			
FL50	5.9L DSL - OEM 3942470		FF-9800
FL60	5.9L DSL - OEM 3942470		FF-9800
FL70	5.9L DSL - OEM 3942470		FF-9800

<b>2000 FREIGHTLINER</b>			
FL50	5.9L DSL - OEM 3942470		FF-9800
FL60	5.9L DSL - OEM 3942470		FF-9800
FL70	5.9L DSL - OEM 3942470		FF-9800

<b>1999 FREIGHTLINER</b>			
FL50	5.9L DSL - OEM 3942470		FF-9800
FL60	5.9L DSL - OEM 3942470		FF-9800
FL70	5.9L DSL - OEM 3942470		FF-9800

<b>1992 FSO</b>			
Polonez III	1.6L L4 CARB	E-2670	

<b>1990 FSO</b>			
Polonez II	1.5L L4 CARB	E-2670	
Polonez II	1.6L L4 CARB	E-2670	

<b>2010 GARELLI</b>			
TM125T XO	125	HA-1510	
TM150T XO	150	HA-1510	

<b>2009 GARELLI</b>			
TM125T Noi	125	HA-1510	
TM125T XO	125	HA-1510	
TM150T XO	150	HA-1510	
TM152T Noi	150	HA-1510	

<b>2008 GARELLI</b>			
BT125 Mosquito	125	HA-1510	
BT125 Tiger	125	HA-1510	
BT150T King	150	HA-1510	
BT151 Mosquito	150	HA-1510	
TM125T Noi	125	HA-1510	
TM152T Noi	150	HA-1510	

<b>2007 GARELLI</b>			
BT125 Mosquito	125	HA-1510	

\*Indicates 2 filters required    ♦ - Intake kit available    Applications updated daily at [knfilters.com](http://knfilters.com) ®

# AIR & OIL FILTERS

# GARELLI

Vehicle	Engine Type	Air Filter	Oil Filter
<b>2007 GARELLI</b>			
BT125 Tiger	125	HA-1510	
BT150T King	150	HA-1510	
BT151 Mosquito	151	HA-1510	
<b>2007 GAS GAS</b>			
EC400 FSE	400		KN-112
EC450 FSE	450		KN-112
Pampera 450	450		KN-112
<b>2006 GAS GAS</b>			
EC125	125	GG-1203	
EC200	200	GG-1203	
EC250	250	GG-1203	
EC300	300	GG-1203	
EC400 FSE	400		KN-112
EC450 FSE	450		KN-112
MC125	125	GG-1203	
MC250	250	GG-1203	
SM125	125	GG-1203	
SM250	250	GG-1203	
<b>2005 GAS GAS</b>			
EC125	125	GG-1203	
EC200	200	GG-1203	
EC250	250	GG-1203	
EC300	300	GG-1203	
EC400 FSE	400		KN-112
EC450 FSE	450		KN-112
MC125	125	GG-1203	
MC250	250	GG-1203	
SM125	125	GG-1203	
SM250	250	GG-1203	
SM450 FSE	450		KN-112
Wild HP 450	450		KN-112
<b>2004 GAS GAS</b>			
EC125	125	GG-1203	
EC200	200	GG-1203	
EC250	250	GG-1203	
EC300	300	GG-1203	
EC400 FSE	400		KN-112
EC450 FSE	450		KN-112
MC125	125	GG-1203	
MC250	250	GG-1203	
SM125	125	GG-1203	
SM250	250	GG-1203	
SM450 FSE	450		KN-112
<b>2003 GAS GAS</b>			
EC125	125	GG-1203	
EC200	200	GG-1203	
EC250	250	GG-1203	
EC300	300	GG-1203	
EC400 FSE	400		KN-112
EC450 FSE	450		KN-112
MC125	125	GG-1203	
MC250	250	GG-1203	
SM125	125	GG-1203	
SM250	250	GG-1203	
SM400 FSE	400		KN-112
Wild HP 450	450		KN-112
<b>2002 GAS GAS</b>			
EC400 FSE	400		KN-112
<b>1997 GEO</b>			
Metro	1.0L L3 F/I	E-9209	HP-1002

Vehicle	Engine Type	Air Filter	Oil Filter
<b>1997 GEO</b>			
Metro	1.3L L4 F/I	E-9209	HP-1002
Prizm	1.6L L4 F/I	33-2672	HP-1003
Prizm	1.8L L4 F/I	33-2672	HP-1003
Tracker	1.6L L4 F/I	33-2065	HP-1002
<b>1996 GEO</b>			
Metro	1.0L L3 F/I	E-9209	HP-1002
Metro	1.3L L4 F/I	E-9209	HP-1002
Prizm	1.6L L4 F/I	33-2672	HP-1003
Prizm	1.8L L4 F/I	33-2672	HP-1003
Tracker	1.6L L4 F/I	33-2065	HP-1002
<b>1995 GEO</b>			
Metro	1.0L L3 F/I	E-9209	HP-1002
Metro	1.3L L4 F/I	E-9209	HP-1002
Prizm	1.6L L4 F/I	33-2672	HP-1003
Prizm	1.8L L4 F/I	33-2672	HP-1003
Tracker	1.6L L4 F/I - VIN 6	33-2065	HP-1002
Tracker	1.6L L4 TBI - VIN U	33-2700	HP-1002
<b>1994 GEO</b>			
Metro	1.0L L3 F/I	E-9209	HP-1002
Prizm	1.6L L4 F/I	33-2672	HP-1003
Prizm	1.8L L4 F/I	33-2672	HP-1003
Tracker	1.6L L4 F/I - VIN 6	33-2065	HP-1002
Tracker	1.6L L4 F/I - VIN U	33-2700	HP-1002
<b>1993 GEO</b>			
Metro	1.0L L3 F/I	E-9209	HP-1002
Prizm	1.6L L4 F/I		HP-1003
Prizm	1.8L L4 F/I		HP-1003
Storm	1.6L L4 F/I	33-2050-1	
Storm	1.8L L4 F/I	33-2050-1	HP-1004
Tracker	1.6L L4 F/I	33-2700	HP-1002
<b>1992 GEO</b>			
Metro	1.0L L3 F/I	E-9209	HP-1002
Prizm	1.6L L4 F/I	33-2030	HP-1003
Prizm GSi	1.6L L4 F/I	33-2041-1	HP-1003
Storm	1.6L L4 F/I	33-2050-1	
Storm	1.8L L4 F/I	33-2050-1	HP-1004
Tracker	1.6L L4 F/I	33-2700	HP-1002
<b>1991 GEO</b>			
Metro	1.0L L3 F/I	E-9209	HP-1002
Prizm	1.6L L4 F/I	33-2030	HP-1003
Prizm GSi	1.6L L4 F/I	33-2041-1	HP-1003
Storm	1.6L L4 F/I	33-2050-1	HP-1004
Tracker	1.6L L4 F/I	33-2700	HP-1002
<b>1990 GEO</b>			
Metro	1.0L L3 F/I	E-9209	HP-1002
Prizm	1.6L L4 F/I	33-2030	HP-1003
Prizm GSi	1.6L L4 F/I	33-2041-1	HP-1003
Storm	1.6L L4 F/I	33-2050-1	HP-1004
Tracker	1.6L L4 F/I	33-2700	HP-1002
<b>1989 GEO</b>			
Metro	1.0L L3 F/I	E-9209	HP-1002
Prizm	1.6L L4 F/I	33-2030	HP-1003
Spectrum	1.5L L4 CARB		HP-1004
Spectrum	1.5L L4 F/I		HP-1004
Tracker	1.6L L4 F/I	33-2700	HP-1002
<b>2011 GMC</b>			
Acadia	3.6L V6 F/I	33-2394	HP-2011
Canyon	2.9L L4 F/I	33-2408 ♦	HP-1007
Canyon	3.7L L5 F/I	33-2408	HP-2006

\*Indicates 2 filters required    ♦ - Intake kit available    Applications updated daily at [knfilters.com](http://knfilters.com) ®

Partial Listing - Complete List of Vehicles and Applications at [knfilters.com](http://knfilters.com)

# GMC

# AIR & OIL FILTERS

Vehicle	Engine Type	Air Filter	Oil Filter	Vehicle	Engine Type	Air Filter	Oil Filter
<b>2011 GMC</b>				<b>2009 GMC</b>			
Canyon	5.3L V8 F/I	33-2408	HP-1017	C4500 Topkick	6.6L V8 DSL		HP-3003
Savana 1500	4.3L V6 F/I	E-1986	HP-1001	C5500 Topkick	6.6L V8 DSL		HP-3003
Savana 1500	5.3L V8 F/I	E-1986	HP-1017	Canyon	2.9L L4 F/I	33-2408 ♦	HP-1007
Savana 2500	4.8L V8 F/I	E-1986	HP-1017	Canyon	3.7L L5 F/I	33-2408 ♦	HP-2006
Savana 2500	6.0L V8 F/I	E-1986	HP-1017	Canyon	5.3L V8 F/I	33-2408	HP-1017
Savana 2500	6.6L V8 DSL		HP-3003	Envoy	4.2L L6 F/I	E-1009 ♦	HP-2006
Savana 3500	4.8L V8 F/I		HP-1017	Envoy	5.3L V8 F/I	E-1009	HP-1017
Savana 3500	6.0L V8 F/I		HP-1017	Savana 1500	4.3L V6 F/I	E-1986	HP-1001
Savana 3500	6.6L V8 DSL		HP-3003	Savana 1500	5.3L V8 F/I	E-1986	HP-1017
Sierra 1500	4.3L V6 F/I	33-2129	HP-1001	Savana 2500	4.8L V8 F/I	E-1986	HP-1017
Sierra 1500	4.8L V8 F/I	33-2129 ♦	HP-1017	Savana 2500	6.0L V8 F/I	E-1986	HP-1017
Sierra 1500	5.3L V8 F/I	33-2129 ♦	HP-1017	Savana 2500	6.6L V8 DSL		HP-3003
Sierra 1500	6.0L V8 F/I	33-2135 ♦	HP-1017	Savana 3500	4.8L V8 F/I	E-1986	HP-1017
Sierra 1500	6.2L V8 F/I	33-2135 ♦	HP-1017	Savana 3500	6.0L V8 F/I	E-1986	HP-1017
Sierra 2500 HD	6.0L V8 F/I		HP-1017	Savana 3500	6.6L V8 DSL		HP-3003
Sierra 2500 HD	6.6L V8 DSL		HP-3003	Sierra 1500	4.3L V6 F/I	33-2129	HP-1001
Sierra 3500 HD	6.0L V8 F/I		HP-1017	Sierra 1500	4.8L V8 F/I	33-2129 ♦	HP-1017
Sierra 3500 HD	6.6L V8 DSL		HP-3003	Sierra 1500	5.3L V8 F/I	33-2129 ♦	HP-1017
Sierra Denali	6.2L V8 F/I	33-2135 ♦	HP-1017	Sierra 1500	6.0L V8 F/I	33-2135 ♦	HP-1017
Terrain	2.4L L4 F/I	33-2439		Sierra 1500	6.2L V8 F/I		HP-1017
Terrain	3.0L V6 F/I	33-2439	HP-2011	Sierra 2500 HD	6.0L V8 F/I	33-2135 ♦	HP-1017
Yukon	5.3L V8 F/I	33-2129 ♦	HP-1017	Sierra 2500 HD	6.6L V8 DSL	E-0781 ♦	HP-3003
Yukon	6.0L V8 F/I	33-2135	HP-1017	Sierra 3500 HD	6.0L V8 F/I	33-2135 ♦	HP-1017
Yukon Denali	6.2L V8 F/I	33-2135 ♦	HP-1017	Sierra 3500 HD	6.6L V8 DSL	E-0781 ♦	HP-3003
Yukon Denali XL	6.2L V8 F/I	33-2135 ♦	HP-1017	Sierra Denali	6.2L V8 F/I	33-2135 ♦	HP-1017
Yukon XL 1500	5.3L V8 F/I	33-2129 ♦	HP-1017	Yukon	4.8L V8 F/I	33-2129 ♦	HP-1017
Yukon XL 1500	6.2L V8 F/I	33-2135 ♦	HP-1017	Yukon	5.3L V8 F/I	33-2129 ♦	HP-1017
Yukon XL 2500	6.0L V8 F/I	33-2135	HP-1017	Yukon	6.0L V8 F/I	33-2135	HP-1017
<b>2010 GMC</b>				Yukon Denali	6.2L V8 F/I	33-2135 ♦	HP-1017
Acadia	3.6L V6 F/I	33-2394	HP-1017	Yukon Denali XL	6.2L V8 F/I	33-2135 ♦	HP-1017
Canyon	2.9L L4 F/I	33-2408 ♦	HP-1007	Yukon XL 1500	5.3L V8 F/I	33-2129 ♦	HP-1017
Canyon	3.7L L5 F/I	33-2408 ♦	HP-2006	Yukon XL 1500	6.0L V8 F/I	33-2135 ♦	HP-1017
Canyon	5.3L V8 F/I	33-2408	HP-1017	Yukon XL 1500	6.2L V8 F/I	33-2135	HP-1017
Savana 1500	4.3L V6 F/I	E-1986	HP-1001	Yukon XL 2500	6.0L V8 F/I	33-2135	HP-1017
Savana 1500	5.3L V8 F/I	E-1986	HP-1017	<b>2008 GMC</b>			
Savana 2500	4.8L V8 F/I	E-1986	HP-1017	Acadia	3.6L V6 F/I	33-2394	HP-1017
Savana 2500	6.0L V8 F/I	E-1986	HP-1017	C4500 Topkick	6.6L V8 DSL		HP-3003
Savana 2500	6.6L V8 DSL		HP-3003	C5500 Topkick	6.6L V8 DSL		HP-3003
Savana 3500	4.8L V8 F/I	E-1986	HP-1017	Canyon	2.9L L4 F/I	33-2408 ♦	HP-1007
Savana 3500	6.0L V8 F/I	E-1986	HP-1017	Canyon	3.7L L5 F/I	33-2408 ♦	HP-2006
Savana 3500	6.6L V8 DSL		HP-3003	Envoy	4.2L L6 F/I	E-1009 ♦	HP-2006
Sierra 1500	4.3L V6 F/I	33-2129	HP-1001	Envoy Denali	5.3L V8 F/I	E-1009	HP-1017
Sierra 1500	4.8L V8 F/I	33-2129 ♦	HP-1017	Savana 1500	4.3L V6 F/I	E-1986	HP-1001
Sierra 1500	5.3L V8 F/I	33-2129 ♦	HP-1017	Savana 1500	5.3L V8 F/I	E-1986	HP-1017
Sierra 1500	6.0L V8 F/I	33-2135 ♦	HP-1017	Savana 2500	4.8L V8 F/I	E-1986	HP-1017
Sierra 1500	6.2L V8 F/I	33-2135 ♦	HP-1017	Savana 2500	6.0L V8 F/I	E-1986	HP-1017
Sierra 2500 HD	6.0L V8 F/I	33-2135 ♦	HP-1017	Savana 2500	6.6L V8 DSL		HP-3003
Sierra 2500 HD	6.6L V8 DSL	E-0781 ♦	HP-3003	Savana 3500	4.8L V8 F/I	E-1986	HP-1017
Sierra 3500 HD	6.0L V8 F/I	33-2135	HP-1017	Savana 3500	6.0L V8 F/I	E-1986	HP-1017
Sierra 3500 HD	6.6L V8 DSL	E-0781 ♦	HP-3003	Savana 3500	6.6L V8 DSL		HP-3003
Sierra Denali	6.2L V8 F/I	33-2135 ♦	HP-1017	Sierra 1500	4.3L V6 F/I	33-2129	HP-1001
Terrain	2.4L L4 F/I	33-2439 ♦		Sierra 1500	4.8L V8 F/I	33-2129 ♦	HP-1017
Terrain	3.0L V6 F/I	33-2439	HP-1017	Sierra 1500	5.3L V8 F/I	33-2129 ♦	HP-1017
Yukon	4.8L V8 F/I	33-2129 ♦		Sierra 1500	6.0L V8 F/I	33-2135 ♦	HP-1017
Yukon	5.3L V8 F/I	33-2129 ♦	HP-1017	Sierra 2500 HD	6.0L V8 F/I	33-2135 ♦	HP-1017
Yukon	6.0L V8 F/I	33-2135	HP-1017	Sierra 2500 HD	6.6L V8 DSL	E-0781 ♦	HP-3003
Yukon Denali	6.2L V8 F/I	33-2135 ♦	HP-1017	Sierra 3500 HD	6.0L V8 F/I	33-2135 ♦	HP-1017
Yukon Denali XL	6.2L V8 F/I	33-2135 ♦	HP-1017	Sierra 3500 HD	6.6L V8 DSL	E-0781 ♦	HP-3003
Yukon XL 1500	5.3L V8 F/I	33-2129 ♦	HP-1017	Sierra Denali	6.2L V8 F/I	33-2135 ♦	HP-1017
Yukon XL 1500	6.2L V8 F/I	33-2135 ♦	HP-1017	Yukon	4.8L V8 F/I	33-2129 ♦	HP-1017
Yukon XL 2500	6.0L V8 F/I	33-2135	HP-1017	Yukon	5.3L V8 F/I	33-2129 ♦	HP-1017
<b>2009 GMC</b>				Yukon	6.0L V8 F/I	33-2135	HP-1017
Acadia	3.6L V6 F/I	33-2394	HP-1017	Yukon Denali	6.2L V8 F/I	33-2135 ♦	HP-1017

\*Indicates 2 filters required

♦ - Intake kit available

Applications updated daily at [knfilters.com](http://knfilters.com) ®

# AIR & OIL FILTERS

# GMC

Vehicle	Engine Type	Air Filter	Oil Filter	Vehicle	Engine Type	Air Filter	Oil Filter
<b>2008 GMC</b>				<b>2006 GMC</b>			
Yukon Denali XL	6.2L V8 F/I	33-2135 ♦	HP-1017	Savana 2500	6.6L V8 DSL	E-0783	HP-3003
Yukon XL 1500	5.3L V8 F/I	33-2129 ♦	HP-1017	Savana 3500	4.8L V8 F/I	E-1008	HP-1007
Yukon XL 1500	6.0L V8 F/I	33-2135 ♦	HP-1017	Savana 3500	6.0L V8 F/I	E-1008	HP-1007
Yukon XL 1500	6.2L V8 F/I	33-2135 ♦	HP-1017	Savana 3500	6.6L V8 DSL	E-0783	HP-3003
Yukon XL 2500	6.0L V8 F/I	33-2135	HP-1017	Sierra 1500	4.3L V6 F/I	33-2129 ♦	HP-1001
<b>2007 GMC</b>				<b>2005 GMC</b>			
Acadia	3.6L V6 F/I	33-2394	HP-1017	Canyon	2.8L L4 F/I	E-0773 ♦	HP-1007
Canyon	2.9L L4 F/I	E-0773 ♦	HP-1007	Canyon	3.5L L5 F/I	E-0773 ♦	HP-2006
Canyon	3.7L L5 F/I	E-0773 ♦	HP-2006	Envoy	4.2L L6 F/I	E-1009 ♦	HP-2006
Envoy	4.2L L6 F/I	E-1009 ♦	HP-2006	Envoy	5.3L V8 F/I	E-1009 ♦	HP-1007
Envoy Denali	5.3L V8 F/I	E-1009	HP-1017	Safari Van	4.3L V6 F/I	33-2225	HP-1001
Savana 1500	4.3L V6 F/I	E-1008	HP-1001	Savana 1500	4.3L V6 F/I	E-1008	HP-1001
Savana 1500	5.3L V8 F/I	E-1008	HP-1017	Savana 1500	5.3L V8 F/I	E-1008	HP-1007
Savana 2500	4.8L V8 F/I	E-1008	HP-1017	Savana 2500	4.3L V6 F/I	E-1008	HP-1001
Savana 2500	6.0L V8 F/I	E-1008	HP-1017	Savana 2500	4.8L V8 F/I	E-1008	HP-1007
Savana 2500	6.6L V8 DSL	E-0783	HP-3003	Savana 2500	5.3L V8 F/I	E-1008	HP-1007
Savana 3500	4.8L V8 F/I	E-1008	HP-1017	Savana 2500	6.0L V8 F/I	E-1008	HP-1007
Savana 3500	6.0L V8 F/I	E-1008	HP-1017	Savana 3500	4.8L V8 F/I	E-1008	HP-1007
Savana 3500	6.6L V8 DSL	E-0783	HP-3003	Sierra 1500	4.3L V6 F/I	33-2129 ♦	HP-1001
Sierra 1500	4.3L V6 F/I	33-2129	HP-1001	Sierra 1500	4.8L V8 F/I	33-2129 ♦	HP-1007
Sierra 1500	4.8L V8 F/I	33-2129 ♦	HP-1017	Sierra 1500	5.3L V8 F/I	33-2129 ♦	HP-1007
Sierra 1500	5.3L V8 F/I	33-2129 ♦	HP-1017	Sierra 1500 HD	6.0L V8 F/I	33-2135 ♦	HP-1007
Sierra 1500	6.0L V8 F/I	33-2135 ♦	HP-1017	Sierra 1500 HD	6.0L V8 F/I	33-2135 ♦	HP-1007
Sierra 1500 Classic	4.3L V6 F/I	33-2129 ♦	HP-1001	Sierra 1500 HD Classic	6.0L V8 F/I	33-2135 ♦	HP-1017
Sierra 1500 Classic	4.8L V8 F/I	33-2129 ♦	HP-1017	Sierra 2500 HD	6.0L V8 F/I	33-2135 ♦	HP-1017
Sierra 1500 Classic	5.3L V8 F/I	33-2129 ♦	HP-1017	Sierra 2500 HD	6.6L V8 DSL	E-0781 ♦	HP-3003
Sierra 1500 HD	6.0L V8 F/I	33-2135	HP-1017	Sierra 2500 HD Classic	6.6L V8 DSL	E-0781 ♦	HP-3003
Sierra 1500 HD Classic	6.0L V8 F/I	33-2135 ♦	HP-1017	Sierra 2500 HD	8.1L V8 F/I	33-2135 ♦	HP-1011
Sierra 2500 HD	6.0L V8 F/I	33-2135 ♦	HP-1017	Sierra 3500 Classic	6.0L V8 F/I	33-2135 ♦	HP-1017
Sierra 2500 HD	6.6L V8 DSL	E-0781 ♦	HP-3003	Sierra 3500 Classic	6.6L V8 DSL	E-0781 ♦	HP-3003
Sierra 2500 HD Classic	6.0L V8 F/I	33-2135 ♦	HP-1017	Sierra 3500 Classic	8.1L V8 F/I	33-2135 ♦	HP-1011
Sierra 2500 HD	8.1L V8 F/I	33-2135 ♦	HP-1011	Sierra 3500 HD	6.0L V8 F/I	33-2135 ♦	HP-1017
Sierra 3500 Classic	6.0L V8 F/I	33-2135 ♦	HP-1017	Sierra 3500 HD	6.6L V8 DSL	E-0781 ♦	HP-3003
Sierra 3500 Classic	6.6L V8 DSL	E-0781 ♦	HP-3003	Sierra Denali	6.2L V8 F/I	33-2135 ♦	HP-1017
Sierra 3500 Classic	8.1L V8 F/I	33-2135 ♦	HP-1011	Sierra Denali Classic	6.0L V8 F/I	33-2135 ♦	HP-1017
Sierra 3500 HD	6.0L V8 F/I	33-2135 ♦	HP-1017	Topkick CK4500	6.6L V8 DSL		HP-3003
Sierra 3500 HD	6.6L V8 DSL	E-0781 ♦	HP-3003	Topkick CK5500	6.6L V8 DSL		HP-3003
Sierra Denali	6.2L V8 F/I	33-2135 ♦	HP-1017	Yukon	4.8L V8 F/I	33-2129 ♦	HP-1017
Sierra Denali Classic	6.0L V8 F/I	33-2135 ♦	HP-1017	Yukon	5.3L V8 F/I	33-2129 ♦	HP-1017
Yukon	4.8L V8 F/I	33-2129 ♦	HP-1017	Yukon Denali	6.2L V8 F/I	33-2135 ♦	HP-1017
Yukon	5.3L V8 F/I	33-2129 ♦	HP-1017	Yukon Denali XL	6.2L V8 F/I	33-2135 ♦	HP-1017
Yukon Denali	6.2L V8 F/I	33-2135 ♦	HP-1017	Yukon XL 1500	5.3L V8 F/I	33-2129 ♦	HP-1017
Yukon Denali XL	6.2L V8 F/I	33-2135 ♦	HP-1017	Yukon XL 1500	6.0L V8 F/I	33-2135 ♦	HP-1017
Yukon XL 1500	5.3L V8 F/I	33-2129 ♦	HP-1017	Yukon XL 1500	6.2L V8 F/I	33-2135 ♦	HP-1017
Yukon XL 1500	6.0L V8 F/I	33-2135 ♦	HP-1017	Yukon XL 2500	6.0L V8 F/I	33-2135 ♦	HP-1017
Yukon XL 1500	6.2L V8 F/I	33-2135 ♦	HP-1017	Yukon XL 2500	8.1L V8 F/I	33-2135	
Yukon XL 2500	6.0L V8 F/I	33-2135 ♦	HP-1017				
Yukon XL 2500	8.1L V8 F/I	33-2135		Sierra 3500	8.1L V8 F/I	33-2135 ♦	HP-1011
				Sierra Denali	6.0L V8 F/I	33-2135 ♦	HP-1007
				Topkick CK4500	6.6L V8 DSL		HP-3003
				Topkick CK5500	6.6L V8 DSL		HP-3003
				Yukon	4.8L V8 F/I	33-2129 ♦	HP-1007
				Yukon	5.3L V8 F/I	33-2129 ♦	HP-1007
				Yukon Denali	6.0L V8 F/I	33-2135 ♦	HP-1007
				Yukon Denali XL	6.0L V8 F/I	33-2135 ♦	HP-1007
				Yukon XL 1500	5.3L V8 F/I	33-2129 ♦	HP-1007

\*Indicates 2 filters required

♦ - Intake kit available

Applications updated daily at [knfilters.com](http://knfilters.com) ®

**Partial Listing - Complete List of Vehicles and Applications at [knfilters.com](http://knfilters.com)**

# GMC

# AIR & OIL FILTERS

Vehicle	Engine Type	Air Filter	Oil Filter
<b>2005 GMC</b>			
Yukon XL 2500	6.0L V8 F/I	33-2135 ♦	HP-1007
Yukon XL 2500	8.1L V8 F/I	33-2135 ♦	HP-1011
<b>2004 GMC</b>			
Canyon	2.8L L4 F/I	E-0773 ♦	HP-1007
Canyon	3.5L L5 F/I	E-0773 ♦	HP-2006
Envoy	4.2L L6 F/I	E-1009 ♦	HP-2006
Envoy	5.3L V8 F/I	E-1009 ♦	HP-1007
Jimmy	4.3L V6 F/I		HP-2001
Safari Van	4.3L V6 F/I	33-2225	HP-1001
Savana 1500	4.3L V6 F/I	E-1008	HP-1001
Savana 1500	5.3L V8 F/I	E-1008	HP-1007
Savana 2500	4.3L V6 F/I	E-1008	HP-1001
Savana 2500	4.8L V8 F/I	E-1008	HP-1007
Savana 2500	5.3L V8 F/I	E-1008	HP-1007
Savana 2500	6.0L V8 F/I	E-1008	HP-1007
Savana 3500	4.8L V8 F/I	E-1008	HP-1007
Savana 3500	6.0L V8 F/I	E-1008	HP-1007
Sierra 1500	4.3L V6 F/I	33-2129 ♦	HP-1001
Sierra 1500	4.8L V8 F/I	33-2129 ♦	HP-1007
Sierra 1500	5.3L V8 F/I	33-2129 ♦	HP-1007
Sierra 2500	6.0L V8 F/I	33-2135 ♦	HP-1007
Sierra 2500 HD	6.0L V8 F/I	33-2135 ♦	HP-1007
Sierra 2500 HD	6.6L V8 DSL	33-2135 ♦	HP-3003
Sierra 2500 HD	8.1L V8 F/I	33-2135 ♦	HP-1011
Sierra 3500	6.0L V8 F/I	33-2135 ♦	HP-1007
Sierra 3500	6.6L V8 DSL	33-2135 ♦	HP-3003
Sierra 3500	8.1L V8 F/I	33-2135 ♦	HP-1011
Sierra Denali	6.0L V8 F/I	33-2135 ♦	HP-1007
Sonoma	4.3L V6 F/I	33-2042 ♦	HP-2001
Topkick CK4500	6.6L V8 DSL		HP-3003
Topkick CK5500	6.6L V8 DSL		HP-3003
Yukon	4.8L V8 F/I	33-2129 ♦	HP-1007
Yukon	5.3L V8 F/I	33-2129 ♦	HP-1007
Yukon Denali	6.0L V8 F/I	33-2135 ♦	HP-1007
Yukon Denali XL	6.0L V8 F/I	33-2135 ♦	HP-1007
Yukon XL 1500	5.3L V8 F/I	33-2129 ♦	HP-1007
Yukon XL 2500	6.0L V8 F/I	33-2135 ♦	HP-1007
Yukon XL 2500	8.1L V8 F/I	33-2135 ♦	HP-1011
<b>2003 GMC</b>			
Envoy	4.2L L6 F/I	E-1009 ♦	HP-2006
Envoy	5.3L V8 F/I	E-1009 ♦	HP-1007
Safari Van	4.3L V6 F/I	33-2225	HP-1001
Savana 1500	4.3L V6 F/I	E-1008	HP-1001
Savana 1500	5.3L V8 F/I	E-1008	HP-1007
Savana 2500	4.3L V6 F/I	E-1008	HP-1007
Savana 2500	4.8L V8 F/I	E-1008	HP-1007
Savana 2500	5.3L V8 F/I	E-1008	HP-1007
Savana 2500	6.0L V8 F/I	E-1008	HP-1007
Savana 3500	6.0L V8 F/I	E-1008	HP-1007
Sierra 1500	4.3L V6 F/I	33-2129 ♦	HP-1001
Sierra 1500	4.8L V8 F/I	33-2129 ♦	HP-1007
Sierra 1500	5.3L V8 F/I	33-2129 ♦	HP-1007
Sierra 1500 HD	6.0L V8 F/I	33-2135 ♦	HP-1007
Sierra 2500	6.0L V8 F/I	33-2135 ♦	HP-1007
Sierra 2500 HD	6.0L V8 F/I	33-2135 ♦	HP-1007
Sierra 2500 HD	6.6L V8 DSL	33-2135 ♦	HP-3003
Sierra 2500 HD	8.1L V8 F/I	33-2135 ♦	HP-1011
Sierra 3500	6.0L V8 F/I	33-2135 ♦	HP-1007
Sierra 3500	6.6L V8 DSL	33-2135 ♦	HP-3003
Sierra 3500	8.1L V8 F/I	33-2135 ♦	HP-1011
Sierra Denali	6.0L V8 F/I	33-2135 ♦	HP-1007
Sonoma	2.2L L4 F/I	33-2042 ♦	HP-1001
Sonoma	4.3L V6 F/I	33-2042 ♦	HP-1001

Vehicle	Engine Type	Air Filter	Oil Filter
<b>2003 GMC</b>			
Sonoma	4.3L V6 F/I - 2WD	33-2042	HP-1001
Sonoma	4.3L V6 F/I - 4WD	33-2042	HP-2001
Topkick CK4500	6.6L V8 DSL		HP-3003
Topkick CK5500	6.6L V8 DSL		HP-3003
Yukon	4.8L V8 F/I	33-2129 ♦	HP-1007
Yukon	5.3L V8 F/I	33-2129 ♦	HP-1007
Yukon Denali	6.0L V8 F/I	33-2135 ♦	HP-1007
Yukon Denali XL	6.0L V8 F/I	33-2135 ♦	HP-1007
Yukon XL 1500	5.3L V8 F/I	33-2129 ♦	HP-1007
Yukon XL 2500	6.0L V8 F/I	33-2135 ♦	HP-1007
Yukon XL 2500	8.1L V8 F/I	33-2135 ♦	HP-1011
<b>2002 GMC</b>			
C3500	6.5L V8 DSL		HP-3002
C3500	8.1L V8 F/I	33-2135	HP-1011
Envoy	4.2L L6 F/I	E-1009 ♦	HP-2006
Safari Van	4.3L V6 F/I	33-2225	HP-1001
Savana 1500	4.3L V6 F/I	E-1008	HP-1001
Savana 1500	5.0L V8 F/I	E-1008	HP-3002
Savana 1500	5.7L V8 F/I	E-1008	HP-3002
Savana 2500	4.3L V6 F/I	E-1008	HP-1001
Savana 2500	5.0L V8 F/I	E-1008	HP-3002
Savana 2500	5.7L V8 F/I	E-1008	HP-3002
Savana 2500	6.5L V8 DSL	33-2111	HP-3002
Savana 3500	5.7L V8 F/I	E-1008	HP-3002
Savana 3500	6.5L V8 DSL	33-2111	HP-3002
Savana 3500	8.1L V8 F/I	E-1008	HP-1011
Sierra 1500	4.3L V6 F/I	33-2129 ♦	HP-1001
Sierra 1500	4.8L V8 F/I	33-2129 ♦	HP-2006
Sierra 1500	5.3L V8 F/I	33-2129 ♦	HP-2006
Sierra 1500 HD	6.0L V8 F/I	33-2135 ♦	HP-2006
Sierra 2500	6.0L V8 F/I	33-2135 ♦	HP-2006
Sierra 2500 HD	6.0L V8 F/I	33-2135 ♦	HP-2006
Sierra 2500 HD	6.6L V8 DSL	33-2135 ♦	HP-3003
Sierra 2500 HD	8.1L V8 F/I	33-2135 ♦	HP-1011
Sierra 3500	6.0L V8 F/I	33-2135 ♦	HP-2006
Sierra 3500	6.6L V8 DSL	33-2135 ♦	HP-3003
Sierra 3500	8.1L V8 F/I	33-2135 ♦	HP-1011
Sierra Denali	6.0L V8 F/I	33-2135 ♦	HP-2006
Sonoma	2.2L L4 F/I	33-2042 ♦	HP-1001
Sonoma	4.3L V6 F/I	33-2042 ♦	HP-1001
Yukon	4.8L V8 F/I	33-2129 ♦	HP-2006
Yukon	5.3L V8 F/I	33-2129 ♦	HP-2006
Yukon Denali	6.0L V8 F/I	33-2135 ♦	HP-2006
Yukon Denali XL	6.0L V8 F/I	33-2135 ♦	HP-2006
Yukon XL 1500	5.3L V8 F/I	33-2129 ♦	HP-2006
Yukon XL 2500	6.0L V8 F/I	33-2135 ♦	HP-2006
Yukon XL 2500	8.1L V8 F/I	33-2135 ♦	HP-1011
<b>2001 GMC</b>			
C3500	6.5L V8 DSL		HP-3002
C3500	8.1L V8 F/I	33-2135	HP-1011
Jimmy	4.3L V6 F/I	33-2042 ♦	
Jimmy	4.3L V6 F/I - 2WD	33-2042	HP-1001
Jimmy	4.3L V6 F/I - 4WD	33-2042	HP-2001
Safari Van	4.3L V6 F/I	33-2225	HP-1001
Savana 1500	4.3L V6 F/I	E-1008	HP-1001
Savana 1500	5.0L V8 F/I	E-1008	HP-3002
Savana 1500	5.7L V8 F/I	E-1008	HP-3002
Savana 2500	4.3L V6 F/I	E-1008	HP-1001
Savana 2500	5.0L V8 F/I	E-1008	HP-3002
Savana 2500	5.7L V8 F/I	E-1008	HP-3002
Savana 2500	6.5L V8 DSL	33-2111	HP-3002
Savana 3500	5.7L V8 F/I	E-1008	HP-3002
Savana 3500	6.5L V8 DSL	33-2111	HP-3002

\*Indicates 2 filters required

♦ - Intake kit available

Applications updated daily at [knfilters.com](http://knfilters.com) ®

# AIR & OIL FILTERS

# GMC

Vehicle	Engine Type	Air Filter	Oil Filter	Vehicle	Engine Type	Air Filter	Oil Filter
<b>2001 GMC</b>				<b>1999 GMC</b>			
Savana 3500	8.1L V8 F/I	E-1008	HP-1011	C1500	5.7L V8 F/I	E-1796 ♦	HP-3002
Sierra 1500	4.3L V6 F/I	33-2129 ♦	HP-1001	C1500 Suburban	5.7L V8 F/I	E-1796 ♦	HP-3002
Sierra 1500	4.8L V8 F/I	33-2129 ♦	HP-2006	C1500 Suburban	6.5L V8 DSL	E-1796	HP-3002
Sierra 1500	5.3L V8 F/I	33-2129 ♦	HP-2006	C2500	5.7L V8 F/I	E-1796 ♦	HP-3002
Sierra 1500 HD	6.0L V8 F/I	33-2135 ♦	HP-2006	C2500	6.5L V8 DSL	E-1796	HP-3002
Sierra 2500	6.0L V8 F/I	33-2135 ♦	HP-2006	C2500	7.4L V8 F/I	E-1796 ♦	HP-3002
Sierra 2500 HD	6.0L V8 F/I	33-2135 ♦	HP-2006	C2500 Suburban	5.7L V8 F/I	E-1796 ♦	HP-3002
Sierra 2500 HD	6.6L V8 DSL	33-2135 ♦	HP-3003	C2500 Suburban	6.5L V8 DSL	E-1796	HP-3002
Sierra 2500 HD	8.1L V8 F/I	33-2135 ♦	HP-1011	C2500 Suburban	7.4L V8 F/I	E-1796 ♦	HP-3002
Sierra 3500	6.0L V8 F/I	33-2135 ♦	HP-2006	C3500	5.7L V8 F/I	E-1796 ♦	HP-3002
Sierra 3500	6.6L V8 DSL	33-2135 ♦	HP-3003	C3500	6.5L V8 DSL	E-1796	HP-3002
Sierra 3500	8.1L V8 F/I	33-2135 ♦	HP-1011	C3500	7.4L V8 F/I	E-1796 ♦	HP-3002
Sierra C3	6.0L V8 F/I	33-2135 ♦	HP-2006	Jimmy	4.3L V6 F/I	33-2042 ♦	HP-2001
Sonoma	2.2L L4 F/I	33-2042 ♦	HP-1001	K1500	5.0L V8 F/I	E-1796 ♦	HP-2001
Sonoma	4.3L V6 F/I	33-2042 ♦		K1500	5.7L V8 F/I	E-1796 ♦	HP-2001
Sonoma	4.3L V6 F/I - 2WD	33-2042	HP-1001	K1500 Suburban	5.7L V8 F/I	E-1796 ♦	HP-2001
Sonoma	4.3L V6 F/I - 4WD	33-2042	HP-2001	K1500 Suburban	6.5L V8 DSL	E-1796	HP-3002
Yukon	4.8L V8 F/I	33-2129 ♦	HP-2006	K2500	5.7L V8 F/I	E-1796 ♦	HP-2001
Yukon	5.3L V8 F/I	33-2129 ♦	HP-2006	K2500	6.5L V8 DSL	E-1796	HP-3002
Yukon Denali	6.0L V8 F/I	33-2135 ♦	HP-2006	K2500	7.4L V8 F/I	E-1796 ♦	HP-1011
Yukon Denali XL	6.0L V8 F/I	33-2135 ♦	HP-2006	K2500 Suburban	5.7L V8 F/I	E-1796 ♦	HP-2001
Yukon XL 1500	5.3L V8 F/I	33-2129 ♦	HP-2006	K2500 Suburban	6.5L V8 DSL	E-1796	HP-3002
Yukon XL 2500	6.0L V8 F/I	33-2135 ♦	HP-2006	K2500 Suburban	7.4L V8 F/I	E-1796 ♦	HP-1011
Yukon XL 2500	8.1L V8 F/I	33-2135 ♦	HP-1011	K3500	5.7L V8 F/I	E-1796 ♦	HP-2001
<b>2000 GMC</b>				<b>1998 GMC</b>			
C2500	5.7L V8 F/I	E-1796 ♦	HP-3002	C1500	4.3L V6 F/I	E-1796 ♦	HP-2001
C2500	6.5L V8 DSL	E-1796	HP-3002	C1500	5.0L V8 F/I	E-1796 ♦	HP-3002
C2500	7.4L V8 F/I	E-1796 ♦	HP-3002	C1500	5.7L V8 F/I	E-1796 ♦	HP-3002
C3500	5.7L V8 F/I	E-1796 ♦	HP-3002	C1500	6.5L V8 DSL	E-1796	HP-3002
C3500	6.5L V8 DSL	E-1796	HP-3002	C1500 Suburban	5.7L V8 F/I	E-1796 ♦	HP-3002
C3500	7.4L V8 F/I	E-1796 ♦	HP-3002	C1500 Suburban	6.5L V8 DSL	E-1796	HP-3002
Jimmy	4.3L V6 F/I	33-2042 ♦	HP-1001	C2500	5.7L V8 F/I	E-1796 ♦	HP-3002
K2500	5.7L V8 F/I	E-1796 ♦	HP-2001	C2500	6.5L V8 DSL	E-1796	HP-3002
K2500	6.5L V8 DSL	E-1796	HP-3002	C2500	7.4L V8 F/I	E-1796 ♦	HP-3002
K2500	7.4L V8 F/I	E-1796 ♦	HP-1011	C2500	7.4L V8 F/I - VIN B	33-2111	HP-3002
K3500	5.7L V8 F/I	E-1796 ♦	HP-2001	C2500	7.4L V8 F/I - VIN J	33-2111	HP-1011
K3500	6.5L V8 DSL	E-1796	HP-3002	Safari Van	4.3L V6 F/I	33-2225	HP-2001
K3500	7.4L V8 F/I	E-1796 ♦	HP-1011	Savana 1500	4.3L V6 F/I	33-2111	HP-2001
Safari Van	4.3L V6 F/I	33-2225	HP-1001	Savana 1500	5.0L V8 F/I	33-2111	HP-3002
Savana 1500	4.3L V6 F/I	33-2111	HP-1001	Savana 1500	5.7L V8 F/I	33-2111	HP-3002
Savana 1500	5.0L V8 F/I	33-2111	HP-3002	Savana 2500	4.3L V6 F/I	33-2111	HP-2001
Savana 1500	5.7L V8 F/I	33-2111	HP-3002	Savana 2500	5.0L V8 F/I	33-2111	HP-3002
Savana 2500	4.3L V6 F/I	33-2111	HP-1001	Savana 2500	5.7L V8 F/I	33-2111	HP-3002
Savana 2500	5.0L V8 F/I	33-2111	HP-3002	Savana 2500	6.5L V8 DSL	33-2111	HP-3002
Savana 2500	5.7L V8 F/I	33-2111	HP-3002	Savana 3500	5.7L V8 F/I	33-2111	HP-3002
Savana 2500	6.5L V8 DSL	33-2111	HP-3002	Savana 3500	6.5L V8 DSL	33-2111	HP-3002
Savana 3500	5.7L V8 F/I	33-2111	HP-3002	Savana 3500	7.4L V8 F/I	33-2111	HP-1011
Savana 3500	6.5L V8 DSL	33-2111	HP-3002	Sierra 1500	4.3L V6 F/I	33-2129 ♦	HP-2001
Savana 3500	7.4L V8 F/I	33-2111	HP-1011	Sierra 1500	4.8L V8 F/I	33-2129 ♦	HP-2006
Sierra 1500	4.3L V6 F/I	33-2129 ♦	HP-1001	Sierra 1500	5.3L V8 F/I	33-2129 ♦	HP-2006
Sierra 1500	4.8L V8 F/I	33-2129 ♦	HP-2006	Sierra 2500	5.3L V8 F/I	33-2129 ♦	HP-2006
Sierra 1500	5.3L V8 F/I	33-2129 ♦	HP-2006	Sierra 2500	6.0L V8 F/I	33-2135 ♦	HP-2006
Sierra 2500	5.3L V8 F/I	33-2129 ♦	HP-2006	Sonoma	2.2L L4 F/I	33-2042 ♦	HP-1001
Sierra 2500	6.0L V8 F/I	33-2135 ♦	HP-2006	Sonoma	4.3L V6 F/I	33-2042 ♦	HP-2001
Sonoma	2.2L L4 F/I	33-2042 ♦	HP-1001	Yukon	5.7L V8 F/I	E-1796 ♦	
Sonoma	4.3L V6 F/I	33-2042 ♦	HP-1001	Yukon	5.7L V8 F/I - 2WD	E-1796	HP-3002
Yukon	4.8L V8 F/I	33-2129 ♦	HP-2006	Yukon	5.7L V8 F/I - 4WD	E-1796	HP-2001
Yukon	5.3L V8 F/I	33-2129 ♦	HP-2006	Yukon Denali	5.7L V8 F/I	E-1796 ♦	HP-2001
Yukon Denali	5.7L V8 F/I	E-1796 ♦	HP-2001	Yukon Denali	6.5L V8 DSL	E-1796	HP-3002
Yukon XL 1500	5.3L V8 F/I	33-2129 ♦	HP-2006				
Yukon XL 2500	6.0L V8 F/I	33-2135 ♦	HP-2006				
<b>1999 GMC</b>							
C1500	5.0L V8 F/I	E-1796 ♦	HP-3002				

\*Indicates 2 filters required      ♦ - Intake kit available      Applications updated daily at [knfilters.com](http://knfilters.com) ®

**Partial Listing - Complete List of Vehicles and Applications at [knfilters.com](http://knfilters.com)**

Vehicle	Engine Type	Air Filter	Oil Filter	Vehicle	Engine Type	Air Filter	Oil Filter
<b>1998 GMC</b>				<b>1997 GMC</b>			
C2500	7.4L V8 F/I	E-1796 ♦	HP-3002	K1500	5.0L V8 F/I	E-1796 ♦	HP-2001
C2500 Suburban	5.7L V8 F/I	E-1796 ♦	HP-3002	K1500	5.7L V8 F/I	E-1796 ♦	HP-2001
C2500 Suburban	6.5L V8 DSL	E-1796	HP-3002	K1500	6.5L V8 DSL	E-1796	HP-3002
C2500 Suburban	7.4L V8 F/I	E-1796 ♦	HP-3002	K1500 Suburban	5.7L V8 F/I	E-1796 ♦	HP-2001
C3500	5.7L V8 F/I	E-1796 ♦	HP-3002	K1500 Suburban	6.5L V8 DSL	E-1796	HP-3002
C3500	6.5L V8 DSL	E-1796	HP-3002	K2500	5.0L V8 F/I	E-1796 ♦	HP-3002
C3500	7.4L V8 F/I	E-1796 ♦	HP-3002	K2500	5.7L V8 F/I	E-1796 ♦	HP-2001
Jimmy	4.3L V6 F/I	33-2042 ♦	HP-2001	K2500	6.5L V8 DSL	E-1796	HP-3002
K1500	4.3L V6 F/I	E-1796	HP-2001	K2500	7.4L V8 F/I	E-1796 ♦	HP-3002
K1500	5.0L V8 F/I	E-1796 ♦	HP-2001	K2500 Suburban	5.7L V8 F/I	E-1796 ♦	HP-2001
K1500	5.7L V8 F/I	E-1796 ♦	HP-2001	K2500 Suburban	6.5L V8 DSL	E-1796	HP-3002
K1500	6.5L V8 DSL	E-1796	HP-3002	K2500 Suburban	7.4L V8 F/I	E-1796 ♦	HP-3002
K1500 Suburban	5.7L V8 F/I	E-1796 ♦	HP-2001	K3500	5.7L V8 F/I	E-1796 ♦	HP-2001
K1500 Suburban	6.5L V8 DSL	E-1796	HP-3002	K3500	6.5L V8 DSL	E-1796	HP-3002
K2500	5.0L V8 F/I	E-1796 ♦	HP-2001	K3500	7.4L V8 F/I	E-1796 ♦	HP-3002
K2500	5.7L V8 F/I	E-1796 ♦	HP-2001	P3500	4.3L V6 F/I	E-1150	HP-2001
K2500	6.5L V8 DSL	E-1796	HP-3002	P3500	5.7L V8 F/I	E-1500	HP-3002
K2500	7.4L V8 F/I	E-1796 ♦	HP-3002	P3500	6.5L V8 DSL	33-2062-1	HP-3002
K2500 Suburban	5.7L V8 F/I	E-1796 ♦	HP-2001	P3500	7.4L V8 F/I	E-1420	HP-3002
K2500 Suburban	6.5L V8 DSL	E-1796	HP-3002	Safari Van	4.3L V6 F/I	33-2225	HP-2001
K2500 Suburban	7.4L V8 F/I	E-1796 ♦	HP-3002	Savana 1500	4.3L V6 F/I	33-2111	HP-2001
K3500	5.7L V8 F/I	E-1796 ♦	HP-2001	Savana 1500	5.0L V8 F/I	E-1150	HP-3002
K3500	6.5L V8 DSL	E-1796	HP-3002	Savana 1500	5.7L V8 F/I	33-2111	HP-3002
K3500	7.4L V8 F/I	E-1796 ♦	HP-3002	Savana 2500	4.3L V6 F/I	33-2111	HP-2001
P3500	4.3L V6 F/I	33-2111	HP-2001	Savana 2500	5.0L V8 F/I	E-1150	HP-3002
P3500	5.7L V8 F/I	33-2111	HP-2001	Savana 2500	5.7L V8 F/I	33-2111	HP-3002
P3500	6.5L V8 DSL	33-2062-1	HP-3002	Savana 2500	6.5L V8 DSL	33-2111	HP-3002
P3500	7.4L V8 F/I	33-2111	HP-3002	Savana 2500	7.4L V8 F/I	33-2111	HP-2001
Safari Van	4.3L V6 F/I	33-2225	HP-2001	Savana 3500	5.7L V8 F/I	33-2111	HP-3002
Savana 1500	4.3L V6 F/I	33-2111	HP-2001	Savana 3500	6.5L V8 DSL	33-2111	HP-3002
Savana 1500	5.0L V8 F/I	33-2111	HP-3002	Savana 3500	7.4L V8 F/I	33-2111	HP-3002
Savana 1500	5.7L V8 F/I	33-2111	HP-3002	Sonoma	2.2L L4 F/I	33-2042 ♦	HP-1001
Savana 2500	4.3L V6 F/I	33-2111	HP-2001	Sonoma	4.3L V6 F/I	33-2042 ♦	HP-2001
Savana 2500	5.0L V8 F/I	33-2111	HP-3002	Yukon	5.7L V8 F/I	E-1796 ♦	
Savana 2500	5.7L V8 F/I	33-2111	HP-3002	Yukon	5.7L V8 F/I - 2WD	E-1796	HP-3002
Savana 2500	6.5L V8 DSL	33-2111	HP-3002	Yukon	5.7L V8 F/I - 4WD	E-1796	HP-2001
Savana 3500	5.7L V8 F/I	33-2111	HP-3002	Yukon	6.5L V8 DSL	E-1796	HP-3002
Savana 3500	6.5L V8 DSL	33-2111	HP-3002	<b>1996 GMC</b>			
Savana 3500	7.4L V8 F/I	33-2111	HP-3002	C1500	4.3L V6 F/I	E-1796 ♦	HP-2001
Sonoma	2.2L L4 F/I	33-2042 ♦	HP-1001	C1500	5.0L V8 F/I	E-1796 ♦	HP-3002
Sonoma	4.3L V6 F/I	33-2042 ♦	HP-2001	C1500	5.7L V8 F/I	E-1796 ♦	HP-3002
Yukon	5.7L V8 F/I	E-1796 ♦		C1500	6.5L V8 DSL	33-2062-1	HP-3002
Yukon	5.7L V8 F/I - 2WD	E-1796	HP-3002	C1500 Suburban	5.7L V8 F/I	E-1796 ♦	HP-3002
Yukon	5.7L V8 F/I - 4WD	E-1796	HP-2001	C1500 Suburban	6.5L V8 DSL	33-2062-1	HP-3002
<b>1997 GMC</b>				C2500	5.0L V8 F/I	E-1796 ♦	HP-3002
C1500	4.3L V6 F/I	E-1796 ♦	HP-2001	C2500	5.7L V8 F/I	E-1796 ♦	HP-3002
C1500	5.0L V8 F/I	E-1796 ♦	HP-3002	C2500	6.5L V8 DSL	33-2062-1	HP-3002
C1500	5.7L V8 F/I	E-1796 ♦	HP-3002	C2500	7.4L V8 F/I	E-1796 ♦	HP-3002
C1500	6.5L V8 DSL	E-1796	HP-3002	C2500 Suburban	5.7L V8 F/I	E-1796 ♦	HP-3002
C1500 Suburban	5.7L V8 F/I	E-1796 ♦	HP-3002	C2500 Suburban	6.5L V8 DSL	33-2062-1	HP-3002
C1500 Suburban	6.5L V8 DSL	E-1796	HP-3002	C2500 Suburban	7.4L V8 F/I	E-1796 ♦	HP-3002
C2500	5.0L V8 F/I	E-1796 ♦	HP-3002	C3500	5.7L V8 F/I	E-1796 ♦	HP-3002
C2500	5.7L V8 F/I	E-1796 ♦	HP-3002	C3500	6.5L V8 DSL	33-2062-1	HP-3002
C2500	6.5L V8 DSL	E-1796	HP-3002	C3500	7.4L V8 F/I	E-1796 ♦	HP-3002
C2500	7.4L V8 F/I	E-1796 ♦	HP-3002	G3500	5.7L V8 F/I	E-1150	HP-3002
C2500 Suburban	5.7L V8 F/I	E-1796 ♦	HP-3002	G3500	6.5L V8 DSL	E-1690	HP-3002
C2500 Suburban	6.5L V8 DSL	E-1796	HP-3002	G3500	7.4L V8 F/I	E-1500	HP-3002
C2500 Suburban	7.4L V8 F/I	E-1796 ♦	HP-3002	Jimmy	4.3L V6 F/I	33-2042 ♦	HP-2001
C3500	5.7L V8 F/I	E-1796 ♦	HP-3002	K1500	4.3L V6 F/I	E-1796 ♦	HP-2001
C3500	6.5L V8 DSL	E-1796	HP-3002	K1500	5.0L V8 F/I	E-1796 ♦	HP-2001
C3500	7.4L V8 F/I	E-1796 ♦	HP-3002	K1500	5.7L V8 F/I	E-1796 ♦	HP-2001
Jimmy	4.3L V6 F/I	HP-2001		K1500	6.5L V8 DSL	33-2062-1	HP-3002
K1500	4.3L V6 F/I	E-1796 ♦	HP-2001	K1500 Suburban	5.7L V8 F/I	E-1796 ♦	HP-2001

\*Indicates 2 filters required      ♦ - Intake kit available      Applications updated daily at [knfilters.com](http://knfilters.com) ®



# AIR & OIL FILTERS

# GMC

Vehicle	Engine Type	Air Filter	Oil Filter	Vehicle	Engine Type	Air Filter	Oil Filter
<b>1996 GMC</b>				<b>1995 GMC</b>			
K1500 Suburban	6.5L V8 DSL	33-2062-1	HP-3002	K1500 Suburban	6.5L V8 DSL	33-2062-1	HP-3002
K2500	5.0L V8 F/I	E-1796 ♦	HP-3002	K2500	4.3L V6 F/I	E-1150	HP-2001
K2500	5.7L V8 F/I	E-1796 ♦	HP-2001	K2500	5.0L V8 F/I	E-1500 ♦	HP-2001
K2500	6.5L V8 DSL	33-2062-1	HP-3002	K2500	5.7L V8 F/I	E-1500 ♦	HP-2001
K2500	7.4L V8 F/I	E-1796 ♦	HP-3002	K2500	6.5L V8 DSL	33-2062-1	HP-3002
K2500 Suburban	5.7L V8 F/I	E-1796 ♦	HP-2001	K2500	7.4L V8 F/I	E-1500 ♦	HP-3002
K2500 Suburban	6.5L V8 DSL	33-2062-1	HP-3002	K2500 Suburban	5.7L V8 F/I	E-1500 ♦	HP-2001
K2500 Suburban	7.4L V8 F/I	E-1796 ♦	HP-3002	K2500 Suburban	6.5L V8 DSL	33-2062-1	HP-3002
K3500	5.7L V8 F/I	E-1796 ♦	HP-2001	K2500 Suburban	7.4L V8 F/I	E-1500 ♦	HP-3002
K3500	6.5L V8 DSL	33-2062-1	HP-3002	K3500	5.7L V8 F/I	E-1500 ♦	HP-2001
K3500	7.4L V8 F/I	E-1796 ♦	HP-3002	K3500	6.5L V8 DSL	33-2062-1	HP-3002
P3500	4.3L V6 F/I	33-2111	HP-2001	K3500	7.4L V8 F/I	E-1500 ♦	HP-3002
P3500	5.7L V8 F/I	E-1500	HP-3002	Motorhome	5.7L V8 F/I - VIN K, Class C, exc. off-road	E-1150	
P3500	6.5L V8 DSL	E-1690	HP-3002	Motorhome	5.7L V8 F/I - VIN K, Class C, P Series only	E-1500	
P3500	7.4L V8 F/I	E-1420	HP-3002	Motorhome	7.4L V8 F/I - Class C, w/ 3-7/16 in Tall Filter	E-1500	
Safari Van	4.3L V6 F/I	33-2225	HP-2001	P3500	6.5L V8 DSL	E-1690	HP-3002
Savana 1500	4.3L V6 CPI	33-2111	HP-2001	P3500	7.4L V8 F/I	E-1500	HP-3002
Savana 1500	5.0L V8 F/I	E-1150	HP-3002	Safari Van	4.3L V6 CPI	33-2042	HP-2001
Savana 1500	5.7L V8 CPI	33-2111	HP-3002	Sonoma	2.2L L4 F/I	33-2042 ♦	HP-1001
Savana 2500	4.3L V6 CPI	33-2111	HP-2001	Sonoma	4.3L V6 CPI	33-2042 ♦	HP-2001
Savana 2500	5.0L V8 F/I	E-1150	HP-3002	Sonoma	4.3L V6 TBI	E-1065 ♦	HP-2001
Savana 2500	5.7L V8 CPI	33-2111	HP-3002	Sonoma	5.7L V8 F/I	E-1500 ♦	
Savana 2500	6.5L V8 DSL	E-1690	HP-3002	Yukon	5.7L V8 F/I - 2WD	E-1500	HP-3002
Savana 3500	7.4L V8 CPI	33-2111	HP-3002	Yukon	5.7L V8 F/I - 4WD	E-1500	HP-2001
Sonoma	2.2L L4 F/I	33-2042 ♦	HP-1001	Yukon	6.5L V8 DSL	33-2062-1	HP-3002
Sonoma	4.3L V6 F/I	33-2042 ♦	HP-2001	<b>1994 GMC</b>			
Yukon	5.7L V8 F/I	E-1796 ♦		C1500	4.3L V6 F/I	E-1150	HP-2001
Yukon	5.7L V8 F/I - 2WD	E-1796	HP-3002	C1500	5.0L V8 F/I	E-1500 ♦	HP-3002
Yukon	5.7L V8 F/I - 4WD	E-1796	HP-2001	C1500	5.7L V8 F/I	E-1500 ♦	HP-3002
Yukon	6.5L V8 DSL	33-2062-1	HP-3002	C1500	6.5L V8 DSL - exc. Turbo	E-1690	HP-3002
<b>1995 GMC</b>				C1500	6.5L V8 DSL - Turbo	33-2062-1	HP-3002
C1500	4.3L V6 F/I	E-1150	HP-2001	C1500 Suburban	5.7L V8 F/I	E-1500 ♦	HP-3002
C1500	5.0L V8 F/I	E-1500 ♦	HP-3002	C2500	4.3L V6 F/I	E-1150	HP-2001
C1500	5.7L V8 F/I	E-1500 ♦	HP-3002	C2500	5.0L V8 F/I	E-1500 ♦	HP-3002
C1500	6.5L V8 DSL	33-2062-1	HP-3002	C2500	5.7L V8 F/I	E-1500 ♦	HP-3002
C1500 Suburban	5.7L V8 F/I	E-1500 ♦	HP-3002	C2500	6.5L V8 DSL - exc. Turbo	E-1690	HP-3002
C1500 Suburban	6.5L V8 DSL	33-2062-1	HP-3002	C2500	6.5L V8 DSL - Turbo	33-2062-1	HP-3002
C2500	4.3L V6 F/I	E-1150	HP-2001	C2500	7.4L V8 F/I	E-1500 ♦	HP-3002
C2500	5.0L V8 F/I	E-1500 ♦	HP-3002	C2500 Suburban	5.7L V8 F/I	E-1500 ♦	HP-3002
C2500	5.7L V8 F/I	E-1500 ♦	HP-3002	C2500 Suburban	6.5L V8 DSL	33-2062-1	HP-3002
C2500	7.4L V8 F/I	E-1500 ♦	HP-3002	C2500 Suburban	7.4L V8 F/I	E-1500 ♦	HP-3002
C2500	6.5L V8 DSL	33-2062-1	HP-3002	C3500	5.7L V8 F/I	E-1500 ♦	HP-3002
C2500	7.4L V8 F/I	E-1500 ♦	HP-3002	C3500	6.5L V8 DSL	33-2062-1	HP-3002
C2500 Suburban	5.7L V8 F/I	E-1500 ♦	HP-3002	C3500	7.4L V8 F/I	E-1500 ♦	HP-3002
C2500 Suburban	6.5L V8 DSL	33-2062-1	HP-3002	G1500	4.3L V6 F/I	E-1150	HP-2001
C2500 Suburban	7.4L V8 F/I	E-1500 ♦	HP-3002	G1500	5.0L V8 F/I	E-1150	HP-3002
C3500	5.7L V8 F/I	E-1500 ♦	HP-3002	G2500	4.3L V6 F/I	E-1150	HP-2001
C3500	6.5L V8 DSL	33-2062-1	HP-3002	G2500	5.0L V8 F/I	E-1150	HP-3002
C3500	7.4L V8 F/I	E-1500 ♦	HP-3002	G2500	5.7L V8 F/I	E-1150	HP-3002
G1500	4.3L V6 F/I	E-1150	HP-2001	G2500	6.5L V8 DSL	E-1690	HP-3002
G1500	5.0L V8 F/I	E-1150	HP-3002	G3500	5.7L V8 F/I	E-1150	HP-3002
G2500	4.3L V6 F/I	E-1150	HP-2001	G3500	6.5L V8 DSL	E-1690	HP-3002
G2500	5.7L V8 F/I	E-1150	HP-3002	G3500	7.4L V8 F/I	E-1500	HP-3002
G2500	6.5L V8 DSL	E-1690	HP-3002	G3500	7.4L V8 F/I	E-1500	HP-3002
G3500	4.3L V6 F/I	E-1150	HP-2001	Jimmy	4.3L V6 CPI	33-2042	HP-2001
G3500	5.7L V8 F/I	E-1150	HP-3002	Jimmy	4.3L V6 TBI	E-1065 ♦	HP-2001
G3500	6.5L V8 DSL	E-1690	HP-3002	K1500	4.3L V6 F/I	E-1150	HP-2001
G3500	7.4L V8 F/I	E-1500	HP-3002	K1500	5.0L V8 F/I	E-1500 ♦	HP-2001
Jimmy	4.3L V6 CPI	33-2042 ♦	HP-2001	K1500	5.7L V8 F/I	E-1500 ♦	HP-2001
K1500	4.3L V6 F/I	E-1150	HP-2001	K1500	6.5L V8 DSL - exc. Turbo	E-1690	HP-3002
K1500	5.0L V8 F/I	E-1500 ♦	HP-2001	K1500	6.5L V8 DSL - Turbo	33-2062-1	HP-3002
K1500	5.7L V8 F/I	E-1500 ♦	HP-2001				
K1500	6.5L V8 DSL	33-2062-1	HP-3002				
K1500 Suburban	5.7L V8 F/I	E-1500 ♦	HP-2001				

\*Indicates 2 filters required

♦ - Intake kit available

Applications updated daily at [knfilters.com](http://knfilters.com) ®

**Partial Listing - Complete List of Vehicles and Applications at [knfilters.com](http://knfilters.com)**

Vehicle	Engine Type	Air Filter	Oil Filter
<b>1994 GMC</b>			
K1500 Suburban	5.7L V8 F/I	E-1500 ♦	HP-2001
K2500	4.3L V6 F/I	E-1150	HP-2001
K2500	5.0L V8 F/I	E-1500 ♦	HP-2001
K2500	5.7L V8 F/I	E-1500 ♦	HP-2001
K2500	6.5L V8 DSL - exc. Turbo	E-1690	HP-3002
K2500	6.5L V8 DSL - Turbo	33-2062-1	HP-3002
K2500	7.4L V8 F/I	E-1500 ♦	HP-3002
K2500 Suburban	5.7L V8 F/I	E-1500 ♦	HP-2001
K2500 Suburban	6.5L V8 DSL	33-2062-1	HP-3002
K2500 Suburban	7.4L V8 F/I	E-1500 ♦	HP-3002
K3500	5.7L V8 F/I	E-1500 ♦	HP-2001
K3500	6.5L V8 DSL	33-2062-1	HP-3002
K3500	7.4L V8 F/I	E-1500 ♦	HP-3002
Motorhome	6.5L V8 DSL - VIN P, VIN Y, Class C, Turbo	E-1690	
Motorhome	7.4L V8 F/I - Class C, w/ 3-7/16 in Tall Filter	E-1500	
Motorhome	7.4L V8 F/I - Class C, w/ 5-1/2 in Tall Filter	E-1420	
P3500	5.7L V8 F/I	E-1500	HP-3002
P3500	6.5L V8 DSL	E-1690	HP-3002
Safari Van	4.3L V6 CPI	33-2042	HP-2001
Safari Van	4.3L V6 TBI	E-1065	HP-2001
Sonoma	2.2L L4 F/I	33-2042 ♦	HP-1001
Sonoma	4.3L V6 CPI	33-2042 ♦	HP-2001
Sonoma	4.3L V6 TBI	E-1065 ♦	HP-2001
Yukon	5.7L V8 F/I	E-1500 ♦	
Yukon	5.7L V8 F/I - 2WD	E-1500	HP-3002
Yukon	5.7L V8 F/I - 4WD	E-1500	HP-2001
Yukon	6.5L V8 DSL	33-2062-1	HP-3002

Vehicle	Engine Type	Air Filter	Oil Filter
<b>1993 GMC</b>			
C1500	4.3L V6 F/I	E-1150	HP-2001
C1500	5.0L V8 F/I	E-1500 ♦	HP-3002
C1500	5.7L V8 F/I	E-1500 ♦	HP-3002
C1500	6.2L V8 DSL	E-1690	HP-3002
C1500 Suburban	5.7L V8 F/I	E-1500 ♦	HP-3002
C2500	4.3L V6 F/I	E-1150	HP-2001
C2500	5.0L V8 F/I	E-1500 ♦	HP-3002
C2500	5.7L V8 F/I	E-1500 ♦	HP-3002
C2500	6.2L V8 DSL	E-1690	HP-3002
C2500	6.5L V8 DSL	33-2062-1	HP-3002
C2500	7.4L V8 F/I	E-1500 ♦	HP-3002
C2500 Suburban	5.7L V8 F/I	E-1500 ♦	HP-3002
C2500 Suburban	7.4L V8 F/I	E-1500 ♦	HP-3002
C3500	5.7L V8 F/I	E-1500 ♦	HP-3002
C3500	6.2L V8 DSL	E-1690	HP-3002
C3500	6.5L V8 DSL	33-2062-1	HP-3002
C3500	7.4L V8 F/I	E-1500 ♦	HP-3002
G1500	4.3L V6 F/I	E-1150	HP-2001
G1500	5.0L V8 F/I	E-1150	HP-3002
G1500	5.7L V8 F/I	E-1150	HP-3002
G2500	4.3L V6 F/I	E-1150	HP-2001
G2500	5.0L V8 F/I	E-1150	HP-3002
G2500	5.7L V8 F/I	E-1150	HP-3002
G2500	6.2L V8 DSL	E-1690	HP-3002
G3500	5.7L V8 F/I	E-1150	HP-3002
G3500	6.2L V8 DSL	E-1690	HP-3002
G3500	7.4L V8 F/I	E-1500	HP-3002
Jimmy	4.3L V6 CPI	33-2042	HP-2001
Jimmy	4.3L V6 TBI	E-1065 ♦	HP-2001
K1500	4.3L V6 F/I	E-1150	HP-2001
K1500	5.0L V8 F/I	E-1500 ♦	HP-2001
K1500	5.7L V8 F/I	E-1500 ♦	HP-2001
K1500	6.2L V8 DSL	E-1690	HP-3002

Vehicle	Engine Type	Air Filter	Oil Filter
<b>1993 GMC</b>			
K1500 Suburban	5.7L V8 F/I	E-1500 ♦	HP-2001
K2500	5.0L V8 F/I	E-1500 ♦	HP-2001
K2500	5.7L V8 F/I	E-1500 ♦	HP-2001
K2500	6.2L V8 DSL	E-1690	HP-3002
K2500	6.5L V8 DSL	33-2062-1	HP-3002
K2500	7.4L V8 F/I	E-1500 ♦	HP-3002
K2500 Suburban	5.7L V8 F/I	E-1500 ♦	HP-3002
K2500 Suburban	7.4L V8 F/I	E-1500 ♦	HP-3002
K3500	5.7L V8 F/I	E-1500 ♦	HP-2001
K3500	6.2L V8 DSL	E-1690	HP-3002
K3500	6.5L V8 DSL	33-2062-1	HP-3002
K3500	7.4L V8 F/I	E-1500 ♦	HP-3002
Motorhome	7.4L V8 F/I - Class A & C, w/ 3-7/16 in Tall Filter	E-1500	
P3500	6.2L V8 DSL	E-1690	HP-3002
P3500	7.4L V8 F/I	E-1500	HP-3002
Safari Van	4.3L V6 CPI	E-1065	HP-2001
Safari Van	4.3L V6 TBI	33-2042	HP-2001
Sonoma	2.5L L4 F/I	E-1015	HP-1001
Sonoma	2.8L V6 F/I	E-1065	HP-2001
Sonoma	4.3L V6 CPI	33-2042	HP-2001
Sonoma	4.3L V6 TBI	E-1065 ♦	HP-2001
Typhoon Truck	4.3L V6 F/I	33-2042	HP-2001
Yukon	5.7L V8 F/I	E-1500 ♦	
Yukon	5.7L V8 F/I - 2WD	E-1500	HP-3002
Yukon	5.7L V8 F/I - 4WD	E-1500	HP-2001

Vehicle	Engine Type	Air Filter	Oil Filter
<b>1992 GMC</b>			
C1500	4.3L V6 F/I	E-1150	HP-2001
C1500	5.0L V8 F/I	E-1500 ♦	HP-3002
C1500	5.7L V8 F/I	E-1500 ♦	HP-3002
C1500	6.2L V8 DSL	E-1690	HP-3002
C1500 Suburban	5.7L V8 F/I	E-1500 ♦	HP-3002
C2500	5.0L V8 F/I	E-1500 ♦	HP-3002
C2500	5.7L V8 F/I	E-1500 ♦	HP-3002
C2500	6.2L V8 DSL	E-1690	HP-3002
C2500	6.5L V8 DSL	33-2062-1	HP-3002
C2500	7.4L V8 F/I	E-1500 ♦	HP-3002
C2500 Suburban	5.7L V8 F/I	E-1500 ♦	HP-3002
C2500 Suburban	7.4L V8 F/I	E-1500 ♦	HP-3002
C3500	5.7L V8 F/I	E-1500 ♦	HP-3002
C3500	6.2L V8 DSL	E-1690	HP-3002
C3500	6.5L V8 DSL	33-2062-1	HP-3002
C3500	7.4L V8 F/I	E-1500 ♦	HP-3002
G1500	4.3L V6 F/I	E-1150	HP-2001
G1500	5.0L V8 F/I	E-1150	HP-3002
G1500	5.7L V8 F/I	E-1150	HP-3002
G2500	5.7L V8 F/I	E-1150	HP-3002
G2500	6.2L V8 DSL	E-1690	HP-3002
G2500	6.2L V8 DSL	E-1690	HP-3002
G3500	5.7L V8 F/I	E-1150	HP-3002
Jimmy	4.3L V6 CPI	33-2042	HP-2001
Jimmy	4.3L V6 TBI	E-1065 ♦	HP-2001
K1500	4.3L V6 F/I	E-1150	HP-2001
K1500	5.0L V8 F/I	E-1500 ♦	HP-2001
K1500	5.7L V8 F/I	E-1500 ♦	HP-2001
K1500	6.2L V8 DSL	E-1690	HP-3002
K1500 Suburban	5.7L V8 F/I	E-1500 ♦	HP-2001
K2500	5.0L V8 F/I	E-1500 ♦	HP-2001
K2500	5.7L V8 F/I	E-1500 ♦	HP-2001
K2500	6.2L V8 DSL	E-1690	HP-3002
K2500	6.5L V8 DSL	33-2062-1	HP-3002
K2500	7.4L V8 F/I	E-1500 ♦	HP-3002
K2500 Suburban	5.7L V8 F/I	E-1500 ♦	HP-2001
K2500 Suburban	7.4L V8 F/I	E-1500 ♦	HP-3002

\*Indicates 2 filters required      ♦ - Intake kit available      Applications updated daily at [knfilters.com](http://knfilters.com) ®

# AIR & OIL FILTERS

# GMC

Vehicle	Engine Type	Air Filter	Oil Filter	Vehicle	Engine Type	Air Filter	Oil Filter
<b>1992 GMC</b>				<b>1991 GMC</b>			
K3500	5.7L V8 F/I	E-1500 ♦	HP-2001	Motorhome	7.4L V8 F/I - VIN N, Class A & C, w/ 5-1/2 in Tall Filter	E-1420	
K3500	6.2L V8 DSL	E-1690	HP-3002	R1500 Suburban	5.7L V8 F/I	E-1500 ♦	HP-3002
K3500	6.5L V8 DSL	33-2062-1	HP-3002	R1500 Suburban	6.2L V8 DSL	E-1690	HP-3002
K3500	7.4L V8 F/I	E-1500 ♦	HP-3002	R2500 Suburban	5.7L V8 F/I	E-1500 ♦	HP-3002
P3500	5.7L V8 F/I	E-1500	HP-3002	R2500 Suburban	6.2L V8 DSL	E-1690	HP-3002
Safari Van	4.3L V6 CPI	33-2042	HP-2001	R2500 Suburban	7.4L V8 F/I		HP-3002
Safari Van	4.3L V6 TBI	E-1065	HP-2001	R2500 Suburban	7.4L V8 F/I - 3-7/16 in tall filter	E-1500 ♦	HP-3002
Sonoma	2.5L L4 F/I	E-1015	HP-1001	R3500	5.7L V8 F/I	E-1500 ♦	HP-3002
Sonoma	2.8L V6 F/I	E-1065	HP-2001	R3500	7.4L V8 F/I		HP-3002
Sonoma	4.3L V6 CPI	33-2042	HP-2001	S15 Jimmy	4.3L V6 TBI	E-1065 ♦	HP-2001
Sonoma	4.3L V6 TBI	E-1065 ♦	HP-2001	Safari Van	4.3L V6 F/I	E-1065	HP-2001
Typhoon Truck	4.3L V6 F/I	33-2042	HP-2001	Sonoma	2.5L L4 F/I	E-1015	HP-1001
Yukon	5.7L V8 F/I	E-1500 ♦		Sonoma	2.8L V6 F/I	E-1065	HP-2001
Yukon	5.7L V8 F/I - 2WD	E-1500	HP-3002	Sonoma	4.3L V6 TBI	E-1065 ♦	HP-2001
Yukon	5.7L V8 F/I - 4WD	E-1500	HP-2001	Sonoma	4.3L V6 F/I	33-2042	HP-2001
<b>1991 GMC</b>				<b>1990 GMC</b>			
C1500	4.3L V6 F/I	E-1150	HP-2001	V1500 Suburban	5.7L V8 F/I	E-1500 ♦	HP-3002
C1500	5.0L V8 F/I	E-1500 ♦	HP-3002	V1500 Suburban	6.2L V8 DSL	E-1690	HP-3002
C1500	5.7L V8 F/I	E-1500 ♦	HP-3002	V2500 Suburban	5.7L V8 F/I	E-1500 ♦	HP-3002
C1500	6.2L V8 DSL	E-1690	HP-3002	V2500 Suburban	6.2L V8 DSL	E-1690	HP-3002
C2500	5.0L V8 F/I	E-1500 ♦	HP-3002	V3500	5.7L V8 F/I	E-1500 ♦	HP-3002
C2500	5.7L V8 F/I	E-1500 ♦	HP-3002	V3500	6.2L V8 DSL	E-1690	HP-3002
C2500	6.2L V8 DSL	E-1690	HP-3002	V3500	7.4L V8 F/I		HP-3002
C2500	7.4L V8 F/I		HP-3002				
C2500	7.4L V8 F/I - 3-7/16 in tall filter	E-1500 ♦	HP-3002	C1500	4.3L V6 F/I	E-1150	HP-2001
C2500	7.4L V8 F/I - 5-1/2 in tall filter	E-1420 ♦	HP-3002	C1500	5.0L V8 F/I	E-1500 ♦	HP-3002
C3500	5.7L V8 F/I	E-1500 ♦	HP-3002	C1500	5.7L V8 F/I	E-1500 ♦	HP-3002
C3500	6.2L V8 DSL	E-1690	HP-3002	C1500	6.2L V8 DSL	E-1690	HP-3002
C3500	7.4L V8 F/I	HP-3002	HP-3002	C2500	5.0L V8 F/I	E-1500 ♦	HP-3002
C3500	7.4L V8 F/I - 3-7/16 in tall filter	E-1500 ♦	HP-3002	C2500	5.7L V8 F/I	E-1500 ♦	HP-3002
C3500	7.4L V8 F/I - 5-1/2 in tall filter	E-1420 ♦	HP-3002	C2500	6.2L V8 DSL	E-1690	HP-3002
G1500	4.3L V6 F/I	E-1150	HP-2001	C3500	5.7L V8 F/I	E-1500 ♦	HP-3002
G1500	5.0L V8 F/I	E-1150	HP-3002	C3500	7.4L V8 F/I		HP-3002
G1500	5.7L V8 F/I	E-1150	HP-3002	C3500	7.4L V8 F/I - 3-7/16 in tall filter	E-1500 ♦	HP-3002
G2500	5.0L V8 F/I	E-1150	HP-3002	G1500	4.3L V6 F/I	E-1150	HP-2001
G2500	5.7L V8 F/I	E-1150	HP-3002	G1500	5.0L V8 F/I	E-1150	HP-3002
G2500	5.7L V8 F/I	E-1150	HP-3002	G1500	5.7L V8 F/I	E-1150	HP-3002
G3500	4.3L V6 F/I	E-1150	HP-2001	G2500	4.3L V6 F/I	E-1150	HP-2001
G3500	7.4L V8 F/I	E-1420	HP-3002	G2500	5.0L V8 F/I	E-1150	HP-3002
Jimmy	5.7L V8 F/I	E-1500 ♦	HP-3002	G2500	5.7L V8 F/I	E-1150	HP-3002
Jimmy	6.2L V8 DSL	E-1690	HP-3002	G2500	6.2L V8 DSL	E-1690	HP-3002
K1500	4.3L V6 F/I	E-1150	HP-2001	G3500	5.7L V8 F/I	E-1150	HP-3002
K1500	5.0L V8 F/I	E-1500 ♦	HP-2001	G3500	6.2L V8 DSL	E-1690	HP-3002
K1500	5.7L V8 F/I	E-1500 ♦	HP-2001	G3500	7.4L V8 F/I	E-1420	HP-3002
K1500	6.2L V8 DSL	E-1690	HP-3002	Jimmy	5.7L V8 F/I	E-1500 ♦	HP-3002
K2500	5.0L V8 F/I	E-1500 ♦	HP-2001	Jimmy	6.2L V8 DSL	E-1690	HP-3002
K2500	5.7L V8 F/I	E-1500 ♦	HP-2001	K1500	4.3L V6 F/I	E-1150	HP-2001
K2500	6.2L V8 DSL	E-1690	HP-3002	K1500	5.0L V8 F/I	E-1500 ♦	HP-2001
K2500	7.4L V8 F/I		HP-3002	K1500	5.7L V8 F/I	E-1500 ♦	HP-2001
K2500	7.4L V8 F/I - 3-7/16 in tall filter	E-1500 ♦	HP-3002	K1500	6.2L V8 DSL	E-1690	HP-3002
K2500	7.4L V8 F/I - 5-1/2 in tall filter	E-1420 ♦	HP-3002	K2500	4.3L V6 F/I	E-1150	HP-2001
K3500	5.7L V8 F/I	E-1500 ♦	HP-2001	K2500	5.0L V8 F/I	E-1500 ♦	HP-2001
K3500	6.2L V8 DSL	E-1690	HP-3002	K2500	5.7L V8 F/I	E-1500 ♦	HP-2001
K3500	7.4L V8 F/I	HP-3002	HP-3002	K2500	6.2L V8 DSL	E-1690	HP-3002
K3500	7.4L V8 F/I - 3-7/16 in tall filter	E-1500 ♦	HP-3002	K2500	7.4L V8 F/I	E-1690	HP-3002
K3500	7.4L V8 F/I - 5-1/2 in tall filter	E-1420 ♦	HP-3002	K3500	7.4L V8 F/I - Class A, 1/4 in taller than stock	E-3679	
Motorhome	7.4L V8 F/I - Class A & C, w/ 3-7/16 in Tall Filter	E-1500		R1500 Suburban	5.7L V8 F/I	E-1500 ♦	HP-3002
				R1500 Suburban	6.2L V8 DSL	E-1690	HP-3002
				R2500 Suburban	5.7L V8 F/I	E-1500 ♦	HP-3002
				R2500 Suburban	6.2L V8 DSL	E-1690	HP-3002
				R2500 Suburban	7.4L V8 F/I		HP-3002

\*Indicates 2 filters required      ♦ - Intake kit available      Applications updated daily at [knfilters.com](http://knfilters.com) ®

**Partial Listing - Complete List of Vehicles and Applications at [knfilters.com](http://knfilters.com)**

# GMC

# AIR & OIL FILTERS

Vehicle	Engine Type	Air Filter	Oil Filter
<b>1990 GMC</b>			
R2500 Suburban	7.4L V8 F/I - 3-7/16 in tall filter	E-1500 ♦	HP-3002
R2500 Suburban	7.4L V8 F/I - 5-1/2 in tall filter	E-1420 ♦	HP-3002
R3500	7.4L V8 F/I		HP-3002
S15 Jimmy	4.3L V6 TBI	E-1065 ♦	HP-2001
S15 Pickup	2.5L L4 F/I	E-1015	HP-1001
S15 Pickup	2.8L V6 F/I	E-1065	HP-2001
S15 Pickup	4.3L V6 TBI	E-1065 ♦	HP-2001
Safari Van	2.5L L4 F/I	E-1015	HP-1001
Safari Van	4.3L V6 F/I	E-1065	HP-2001
V1500 Suburban	5.7L V8 F/I	E-1500 ♦	HP-3002
V1500 Suburban	6.2L V8 DSL	E-1690	HP-3002
V2500 Suburban	5.7L V8 F/I	E-1500 ♦	HP-3002
V2500 Suburban	6.2L V8 DSL	E-1690	HP-3002
V3500	5.7L V8 F/I	E-1500 ♦	HP-3002

<b>1989 GMC</b>			
C1500	4.3L V6 F/I	E-1150	HP-2001
C1500	5.0L V8 F/I	E-1500 ♦	HP-3002
C1500	5.7L V8 F/I	E-1500 ♦	HP-3002
C1500	6.2L V8 DSL	E-1690	HP-3002
C2500	5.0L V8 F/I	E-1500 ♦	HP-3002
C2500	5.7L V8 F/I	E-1500 ♦	HP-3002
C2500	6.2L V8 DSL	E-1690	HP-3002
C3500	5.7L V8 F/I	E-1500 ♦	HP-3002
C3500	7.4L V8 F/I		HP-3002
C3500	7.4L V8 F/I - 3-7/16 in tall filter	E-1500 ♦	HP-3002
C3500	7.4L V8 F/I - 5-1/2 in tall filter	E-1420 ♦	HP-3002
G1500	4.3L V6 F/I	E-1150	HP-2001
G1500	5.0L V8 F/I	E-1150	HP-3002
G2500	5.7L V8 F/I	E-1150	HP-3002
G3500	5.7L V8 F/I	E-1150	HP-3002
G3500	7.4L V8 F/I	E-1500	HP-3002
Jimmy	5.7L V8 F/I	E-1500 ♦	HP-2001
Jimmy	6.2L V8 DSL	E-1690	HP-3002
K1500	4.3L V6 F/I	E-1150	HP-2001
K1500	5.0L V8 F/I	E-1500 ♦	HP-2001
K1500	5.7L V8 F/I	E-1500 ♦	HP-2001
K1500	6.2L V8 DSL	E-1690	HP-3002
K2500	5.0L V8 F/I	E-1500 ♦	HP-2001
K2500	5.7L V8 F/I	E-1500 ♦	HP-3002
K2500	6.2L V8 DSL	E-1690	HP-3002
K3500	5.7L V8 F/I	E-1500 ♦	HP-3002
K3500	6.2L V8 DSL	E-1690	HP-3002
K3500	7.4L V8 F/I		HP-3002
K3500	7.4L V8 F/I - 3-7/16 in tall filter	E-1500 ♦	HP-3002
P2500	5.7L V8 F/I	E-1500	HP-3002
R1500 Suburban	5.7L V8 F/I	E-1500 ♦	HP-3002
R2500	5.7L V8 F/I	E-1500 ♦	HP-3002
R2500 Suburban	5.7L V8 F/I	E-1500 ♦	HP-3002
R2500 Suburban	7.4L V8 F/I		HP-3002
R2500 Suburban	7.4L V8 F/I - 3-7/16 in tall filter	E-1500 ♦	HP-3002
R2500 Suburban	7.4L V8 F/I - 5-1/2 in tall filter	E-1420 ♦	HP-3002
R3500	5.7L V8 F/I	E-1500 ♦	HP-3002
S15 Jimmy	2.8L V6 F/I	E-1065	
S15 Jimmy	2.8L V6 F/I - 2WD	E-1065	HP-2001
S15 Jimmy	2.8L V6 F/I - 4WD	E-1065	HP-1001
S15 Jimmy	4.3L V6 TBI	E-1065 ♦	HP-2001
S15 Pickup	2.5L L4 F/I	E-1015	HP-1001
S15 Pickup	2.8L V6 F/I	E-1065	
S15 Pickup	2.8L V6 F/I - 2WD	E-1065	HP-2001

Vehicle	Engine Type	Air Filter	Oil Filter
<b>1989 GMC</b>			
S15 Pickup	2.8L V6 F/I - 4WD	E-1065	HP-1001
S15 Pickup	4.3L V6 TBI	E-1065 ♦	HP-2001
Safari Van	4.3L V6 F/I	E-1065	HP-2001
V1500 Suburban	5.7L V8 F/I	E-1500 ♦	HP-3002
V1500 Suburban	6.2L V8 DSL	E-1690	HP-3002
V2500 Suburban	5.7L V8 F/I	E-1500 ♦	HP-3002
V3500	5.7L V8 F/I	E-1500 ♦	HP-3002
V3500	6.2L V8 DSL	E-1690	HP-3002
V3500	7.4L V8 CARB		HP-3002
V3500	7.4L V8 F/I		HP-3002

<b>1988 GMC</b>			
C1500	4.3L V6 F/I	E-1150	HP-2001
C1500	5.0L V8 F/I	E-1500 ♦	HP-3002
C1500	5.7L V8 F/I	E-1500 ♦	HP-3002
C1500	6.2L V8 DSL	E-1690	HP-3002
C2500	5.0L V8 F/I	E-1500 ♦	HP-3002
C2500	5.7L V8 F/I	E-1500 ♦	HP-3002
C2500	6.2L V8 DSL	E-1690	HP-3002
C3500	5.7L V8 F/I	E-1500 ♦	HP-3002
C3500	6.2L V8 DSL	E-1690	HP-3002
C3500	7.4L V8 F/I		HP-3002
C3500	7.4L V8 F/I - 3-7/16 in tall filter	E-1500 ♦	HP-3002
G1500	5.0L V8 F/I	E-1150	HP-3002
G1500	5.7L V8 F/I	E-1150	HP-3002
G2500	5.7L V8 F/I	E-1150	HP-3002
G2500	6.2L V8 DSL	E-1690	HP-3002
G3500	5.7L V8 CARB	E-1150	HP-3002
G3500	5.7L V8 F/I	E-1150	HP-3002
Jimmy	5.7L V8 F/I	E-1500 ♦	HP-2001
K1500	5.0L V8 F/I	E-1500 ♦	HP-2001
K1500	5.7L V8 F/I	E-1500 ♦	HP-2001
K1500	6.2L V8 DSL	E-1690	HP-3002
K2500	5.7L V8 F/I	E-1500 ♦	HP-2001
K2500	6.2L V8 DSL	E-1690	HP-3002
K3500	5.7L V8 F/I	E-1500 ♦	HP-2001
Motorhome	7.4L V8 F/I - Class A & C, w/ 3-7/16 in Tall Filter	E-1500	
P2500	6.2L V8 DSL	E-1690	HP-3002
P3500	5.7L V8 CARB	E-1420	HP-3002
P3500	5.7L V8 F/I	E-1500	HP-3002
P3500	6.2L V8 DSL	E-1690	HP-3002
R1500 Suburban	5.7L V8 F/I	E-1500 ♦	HP-3002
R1500 Suburban	6.2L V8 DSL	E-1690	HP-3002
R2500	5.7L V8 F/I	E-1500 ♦	HP-3002
R2500	6.2L V8 DSL	E-1690	HP-3002
R2500 Suburban	5.7L V8 F/I	E-1500 ♦	HP-3002
R2500 Suburban	6.2L V8 DSL	E-1690	HP-3002
R2500 Suburban	7.4L V8 F/I		HP-3002
R2500 Suburban	7.4L V8 F/I - 3-7/16 in tall filter	E-1500 ♦	HP-3002
R3500	5.7L V8 CARB	E-1500	HP-3002
R3500	5.7L V8 F/I	E-1500 ♦	HP-3002
S15 Jimmy	2.8L V6 F/I	E-1065	
S15 Jimmy	2.8L V6 F/I - 2WD	E-1065	HP-2001
S15 Jimmy	2.8L V6 F/I - 4WD	E-1065	HP-1001
S15 Jimmy	4.3L V6 F/I	E-1065 ♦	HP-2001
S15 Pickup	2.5L L4 F/I	E-1015	HP-1001
S15 Pickup	2.8L V6 F/I	E-1065	
S15 Pickup	2.8L V6 F/I - 2WD	E-1065	HP-2001
S15 Pickup	2.8L V6 F/I - 4WD	E-1065	HP-1001
S15 Pickup	4.3L V6 F/I	E-1065 ♦	HP-2001
Safari Van	4.3L V6 F/I	E-1065	HP-2001
V1500 Suburban	5.7L V8 F/I	E-1500 ♦	HP-3002

\*Indicates 2 filters required

♦ - Intake kit available

Applications updated daily at [knfilters.com](http://knfilters.com) ®

# AIR & OIL FILTERS

# GMC

Vehicle	Engine Type	Air Filter	Oil Filter	Vehicle	Engine Type	Air Filter	Oil Filter
<b>1988 GMC</b>				<b>1986 GMC</b>			
V2500 Suburban	5.7L V8 F/I	E-1500 ♦	HP-3002	Caballero	5.0L V8 CARB	E-1500	HP-2002
V3500	5.7L V8 CARB	E-1500	HP-3002	G1500	5.0L V8 CARB	E-1150	HP-3002
V3500	5.7L V8 F/I	E-1500 ♦	HP-3002	G2500	5.0L V8 CARB	E-1150	HP-3002
<b>1987 GMC</b>				G2500	5.7L V8 CARB	E-1150	HP-3002
Caballero	5.0L V8 CARB	E-1500	HP-2002	Jimmy	5.0L V8 CARB	E-1420	HP-3002
G1500	5.0L V8 F/I	E-1150	HP-3002	Jimmy	5.7L V8 CARB	E-1420	HP-3002
G1500	5.7L V8 F/I	E-1150	HP-3002	Jimmy	6.2L V8 DSL	E-1690	HP-3002
G2500	5.0L V8 F/I	E-1150	HP-3002	K1500	4.3L V6 CARB	E-1500	HP-2001
G2500	5.7L V8 F/I	E-1150	HP-3002	K1500	5.0L V8 CARB		HP-3002
G3500	5.7L V8 CARB	E-1150	HP-3002	K1500	5.0L V8 CARB - 3-7/16 in tall filter	E-1500	HP-3002
G3500	5.7L V8 F/I	E-1150	HP-3002	K1500	5.0L V8 CARB - 5-1/2 in tall filter	E-1420	HP-3002
G3500	6.2L V8 DSL	E-1690	HP-3002	K1500	5.7L V8 CARB	E-1420	HP-3002
Jimmy	5.0L V8 F/I	E-1500	HP-3002	K1500	6.2L V8 DSL	E-1690	HP-3002
Jimmy	5.7L V8 F/I	E-1500	HP-3002	K1500 Suburban	5.7L V8 CARB	E-1420	HP-3002
Jimmy	6.2L V8 DSL	E-1690	HP-3002	K1500 Suburban	6.2L V8 DSL	E-1690	HP-3002
P2500	5.7L V8 CARB	E-1420	HP-3002	K2500	5.7L V8 CARB	E-1420	HP-3002
R1500	4.3L V6 F/I	E-1150	HP-2001	K2500	6.2L V8 DSL	E-1690	HP-3002
R1500	5.0L V8 F/I	E-1500	HP-3002	K2500 Suburban	4.8L L6 CARB	E-1120	HP-2002
R1500	5.7L V8 F/I	E-1500	HP-3002	K2500 Suburban	5.7L V8 CARB	E-1420	HP-3002
R1500	6.2L V8 DSL	E-1690	HP-3002	K2500 Suburban	6.2L V8 DSL	E-1690	HP-3002
R1500 Suburban	5.0L V8 F/I	E-1500	HP-3002	K3500	6.2L V8 DSL	E-1690	HP-3002
R1500 Suburban	5.7L V8 F/I	E-1500	HP-3002	K3500	7.4L V8 CARB	E-1420	HP-3002
R1500 Suburban	6.2L V8 DSL	E-1690	HP-3002	S15 Jimmy	2.5L L4 F/I	E-1015	HP-1001
R2500	5.7L V8 F/I	E-1500	HP-3002	S15 Jimmy	2.8L V6 F/I	E-1065	
R2500	7.4L V8 F/I		HP-3002	S15 Pickup	2.5L L4 F/I	E-1015	HP-1001
R2500 Suburban	5.7L V8 F/I	E-1500	HP-3002	S15 Pickup	2.8L V6 F/I	E-1065	HP-1001
R2500 Suburban	7.4L V8 F/I		HP-3002	Safari Van	4.3L V6 F/I	E-1065	HP-2001
R2500 Suburban	7.4L V8 F/I - 3-7/16 in tall filter	E-1500	HP-3002	<b>1985 GMC</b>			
R3500	7.4L V8 CARB		HP-3002	C1500	4.3L V6 CARB	E-1500	HP-2001
R3500	7.4L V8 F/I		HP-3002	C1500	5.0L V8 CARB		HP-3002
S15 Jimmy	2.5L L4 F/I	E-1015	HP-1001	C1500	5.0L V8 CARB - 3-7/16 in tall filter	E-1500	HP-3002
S15 Jimmy	2.8L V6 F/I	E-1065		C1500	5.0L V8 CARB - 5-1/2 in tall filter	E-1420	HP-3002
S15 Pickup	2.5L L4 F/I	E-1015	HP-1001	C1500	5.7L V8 CARB		HP-3002
S15 Pickup	2.8L V6 F/I	E-1065	HP-2001	C1500	5.7L V8 CARB - 3-7/16 in tall filter	E-1500	HP-3002
Safari Van	4.3L V6 F/I	E-1065	HP-2001	C1500	5.7L V8 CARB - 5-1/2 in tall filter	E-1420	HP-3002
V1500	5.0L V8 F/I	E-1500	HP-3002	C1500	6.2L V8 DSL	E-1690	HP-3002
V1500	5.7L V8 F/I	E-1500	HP-3002	C1500 Suburban	5.0L V8 CARB	E-1420	HP-3002
V1500 Suburban	5.7L V8 F/I	E-1500	HP-3002	C1500 Suburban	5.7L V8 CARB	E-1420	HP-3002
V1500 Suburban	6.2L V8 DSL	E-1690	HP-3002	C1500 Suburban	6.2L V8 DSL	E-1690	HP-3002
V2500	5.7L V8 F/I	E-1500	HP-3002	C2500	5.7L V8 CARB		HP-3002
V2500 Suburban	5.7L V8 F/I	E-1500	HP-3002	C2500	5.7L V8 CARB - 3-7/16 in tall filter	E-1500	HP-3002
V3500	5.7L V8 CARB	E-1500	HP-3002	C2500	5.7L V8 CARB - 5-1/2 in tall filter	E-1420	HP-3002
V3500	5.7L V8 F/I	E-1500	HP-3002	C2500	6.2L V8 DSL	E-1690	HP-3002
<b>1986 GMC</b>				C2500	7.4L V8 CARB		HP-3002
C1500	4.3L V6 CARB	E-1500	HP-2001	C2500	7.4L V8 CARB - 3-7/16 in tall filter	E-1500	HP-3002
C1500	5.0L V8 CARB		HP-3002	C2500 Suburban	5.7L V8 CARB	E-1420	HP-3002
C1500	5.0L V8 CARB - 3-7/16 in tall filter	E-1500	HP-3002	C2500 Suburban	6.2L V8 DSL	E-1690	HP-3002
C1500	5.0L V8 CARB - 5-1/2 in tall filter	E-1420	HP-3002	C2500 Suburban	7.4L V8 CARB		HP-3002
C1500	5.7L V8 CARB	E-1420	HP-3002	C2500 Suburban	7.4L V8 CARB - 3-7/16 in tall filter	E-1500	HP-3002
C1500	6.2L V8 DSL	E-1690	HP-3002	C2500 Suburban	7.4L V8 CARB - 5-1/2 in tall filter	E-1420	HP-3002
C1500 Suburban	5.0L V8 CARB	E-1420	HP-3002	C3500	5.7L V8 CARB		HP-3002
C1500 Suburban	5.7L V8 CARB	E-1420	HP-3002	C3500	5.7L V8 CARB - 3-7/16 in tall filter	E-1500	HP-3002
C1500 Suburban	6.2L V8 DSL	E-1690	HP-3002	C3500	6.2L V8 DSL	E-1690	HP-3002
C2500	5.0L V8 CARB		HP-3002	C3500	7.4L V8 CARB		HP-3002
C2500	5.7L V8 CARB	E-1420	HP-3002	C3500	7.4L V8 CARB - 3-7/16 in tall filter	E-1500	HP-3002
C2500	6.2L V8 DSL	E-1690	HP-3002	C3500	7.4L V8 CARB - 3-7/16 in tall filter	E-1500	HP-3002
C2500 Suburban	5.0L V8 CARB	E-1420	HP-3002	Caballero	5.0L V8 CARB	E-1500	HP-2002
C2500 Suburban	5.7L V8 CARB	E-1420	HP-3002				
C2500 Suburban	6.2L V8 DSL	E-1690	HP-3002				
C2500 Suburban	7.4L V8 CARB		HP-3002				
C3500	5.7L V8 CARB	E-1420	HP-3002				
C3500	7.4L V8 CARB	E-1420	HP-3002				

\*Indicates 2 filters required      ♦ - Intake kit available      Applications updated daily at [knfilters.com](http://knfilters.com) ®

**Partial Listing - Complete List of Vehicles and Applications at [knfilters.com](http://knfilters.com)**

Vehicle	Engine Type	Air Filter	Oil Filter	Vehicle	Engine Type	Air Filter	Oil Filter
<b>1985 GMC</b>				<b>1984 GMC</b>			
G2500	5.0L V8 CARB	E-1150	HP-3002	G2500	5.7L V8 CARB	E-1150	
G2500	5.7L V8 CARB	E-1150	HP-3002	G2500	5.7L V8 CARB - w/o 2qt. spin on	E-1150	HP-3002
Jimmy	5.0L V8 CARB		HP-3002	G2500	6.2L V8 DSL	E-1690	HP-3002
Jimmy	5.0L V8 CARB - 3-7/16 in tall filter	E-1500	HP-3002	G3500	5.7L V8 CARB	E-1150	HP-3002
Jimmy	5.0L V8 CARB - 5-1/2 in tall filter	E-1420	HP-3002	Jimmy	5.0L V8 CARB	E-1420	HP-3002
Jimmy	5.7L V8 CARB		HP-3002	Jimmy	5.7L V8 CARB		HP-3002
Jimmy	5.7L V8 CARB - 3-7/16 in tall filter	E-1500	HP-3002	Jimmy	5.7L V8 CARB - 3-7/16 in tall filter	E-1500	HP-3002
Jimmy	5.7L V8 CARB - 5-1/2 in tall filter	E-1420	HP-3002	Jimmy	5.7L V8 CARB - 5-1/2 in tall filter	E-1420	HP-3002
Jimmy	6.2L V8 DSL	E-1690	HP-3002	Jimmy	6.2L V8 DSL	E-1690	HP-3002
K1500	5.0L V8 CARB		HP-3002	K1500	5.0L V8 CARB	E-1420	HP-3002
K1500	5.0L V8 CARB - 3-7/16 in tall filter	E-1500	HP-3002	K1500	5.7L V8 CARB		HP-3002
K1500	5.7L V8 CARB		HP-3002	K1500	5.7L V8 CARB - 3-7/16 in tall filter	E-1500	HP-3002
K1500	5.7L V8 CARB - 3-7/16 in tall filter	E-1500	HP-3002	K1500	6.2L V8 DSL	E-1690	HP-3002
K1500	5.7L V8 CARB - 5-1/2 in tall filter	E-1420	HP-3002	K1500 Suburban	5.0L V8 CARB	E-1420	HP-3002
K1500 Suburban	5.0L V8 CARB	E-1420	HP-3002	K1500 Suburban	5.7L V8 CARB	E-1420	HP-3002
K1500 Suburban	5.7L V8 CARB	E-1420	HP-3002	K1500 Suburban	6.2L V8 DSL	E-1690	HP-3002
K2500	5.7L V8 CARB		HP-3002	K2500	5.7L V8 CARB		HP-3002
K2500	5.7L V8 CARB - 3-7/16 in tall filter	E-1500	HP-3002	K2500	5.7L V8 CARB - 3-7/16 in tall filter	E-1500	HP-3002
K2500	5.7L V8 CARB - 5-1/2 in tall filter	E-1420	HP-3002	K2500	5.7L V8 CARB - 5-1/2 in tall filter	E-1420	HP-3002
K2500	6.2L V8 DSL	E-1690	HP-3002	K2500	6.2L V8 DSL	E-1690	HP-3002
K2500 Suburban	5.7L V8 CARB	E-1420	HP-3002	K2500 Suburban	5.7L V8 CARB	E-1420	HP-3002
K2500 Suburban	6.2L V8 DSL	E-1690	HP-3002	K2500 Suburban	6.2L V8 DSL	E-1690	HP-3002
K3500	7.4L V8 CARB		HP-3002	K3500	7.4L V8 CARB		HP-3002
K3500	7.4L V8 CARB - 3-7/16 in tall filter	E-1500	HP-3002	P3500	5.7L V8 CARB - w/o 2qt. spin on		HP-3002
Motorhome	7.4L V8 4 BBL. - Class A & C, w/ 3-7/16 in Tall Filter	E-1500		S15 Pickup	2.8L V6 CARB	E-1035	HP-1001
Motorhome	7.4L V8 4 BBL. - VIN N, Class A & C, w/ 5-1/2 in Tall Filter	E-1420		<b>1983 GMC</b>			
S15 Jimmy	2.5L L4 F/I	E-1015	HP-1001	C1500	5.0L V8 CARB	E-1420	HP-3002
S15 Jimmy	2.8L V6 CARB	E-1035		C1500	5.7L V8 CARB - 2qt. spin on		HP-6002
S15 Pickup	2.5L L4 F/I	E-1015	HP-1001	C1500	5.7L V8 CARB - 3-7/16 in tall filter	E-1500	
S15 Pickup	2.8L V6 CARB	E-1035		C1500	5.7L V8 CARB - 5-1/2 in tall filter	E-1420	
S15 Pickup	2.8L V6 CARB - 2WD	E-1035	HP-2001	C1500	5.7L V8 CARB - w/o 2qt. spin on		HP-3002
S15 Pickup	2.8L V6 CARB - 4WD	E-1035	HP-1001	C1500	6.2L V8 DSL	E-1690	HP-3002
<b>1984 GMC</b>				C1500 Suburban	5.0L V8 CARB	E-1420	HP-3002
C1500	4.1L L6 CARB	E-1030	HP-2002	C1500 Suburban	5.7L V8 CARB	E-1420	HP-3002
C1500	5.0L V8 CARB	E-1420	HP-3002	C1500 Suburban	6.2L V8 DSL	E-1690	HP-3002
C1500	5.7L V8 CARB		HP-3002	C1500 Suburban	6.2L V8 DSL	E-1690	HP-3002
C1500	5.7L V8 CARB - 3-7/16 in tall filter	E-1500	HP-3002	C2500	6.2L V8 DSL	E-1690	HP-3002
C1500	5.7L V8 CARB - 5-1/2 in tall filter	E-1420	HP-3002	C2500	7.4L V8 CARB		HP-3002
C1500	6.2L V8 DSL	E-1690	HP-3002	C2500 Suburban	6.2L V8 DSL	E-1690	HP-3002
C1500 Suburban	5.0L V8 CARB	E-1420	HP-3002	C2500 Suburban	7.4L V8 CARB		HP-3002
C1500 Suburban	5.7L V8 CARB	E-1420	HP-3002	C3500	4.8L L6 CARB	E-1120	HP-2002
C1500 Suburban	6.2L V8 DSL	E-1690	HP-3002	C3500	6.2L V8 DSL	E-1690	HP-3002
C2500	5.7L V8 CARB		HP-3002	C3500	7.4L V8 CARB		HP-3002
C2500 Suburban	5.7L V8 CARB	E-1420	HP-3002	G2500	6.2L V8 DSL	E-1690	HP-3002
C2500 Suburban	7.4L V8 CARB		HP-3002	Jimmy	5.0L V8 CARB	E-1420	HP-3002
C3500	4.8L L6 CARB	E-1120	HP-2002	Jimmy	5.7L V8 CARB	E-1500	HP-3002
C3500	7.4L V8 CARB		HP-3002	Jimmy	5.7L V8 CARB - w/o 2qt. spin on	E-1500	HP-3002
Caballero	3.8L V6 CARB - VIN 9	E-1065	HP-2001	Jimmy	6.2L V8 DSL	E-1690	HP-3002
Caballero	3.8L V6 CARB - VIN A	E-1150	HP-1001	K1500	5.0L V8 CARB	E-1420	HP-3002
G1500	5.7L V8 CARB	E-1150		K1500	5.7L V8 CARB - 2qt. spin on		HP-6002
G1500	5.7L V8 CARB - w/o 2qt. spin on	E-1150	HP-3002	K1500	5.7L V8 CARB - 3-7/16 in tall filter	E-1500	
G2500	4.1L L6 CARB	E-1030	HP-2002	K1500	5.7L V8 CARB - w/o 2qt. spin on		HP-3002
G2500	5.0L V8 CARB	E-1150	HP-3002	K1500 Suburban	5.0L V8 CARB	E-1420	HP-3002
				K1500 Suburban	5.7L V8 CARB	E-1420	HP-3002
				K1500 Suburban	6.2L V8 DSL	E-1690	HP-3002
				K2500	6.2L V8 DSL	E-1690	HP-3002

\*Indicates 2 filters required    ♦ - Intake kit available    Applications updated daily at [knfilters.com](http://knfilters.com) ®

# AIR & OIL FILTERS

# GMC

Vehicle	Engine Type	Air Filter	Oil Filter	Vehicle	Engine Type	Air Filter	Oil Filter
<b>1983 GMC</b>				<b>1981 GMC</b>			
K2500 Suburban	6.2L V8 DSL	E-1690	HP-3002	C1500	5.7L V8 DSL	E-1690	HP-2006
K3500	7.4L V8 CARB		HP-3002	C1500 Suburban	5.0L V8 2 BBL.	E-1150	HP-3002
P2500	6.2L V8 DSL	E-1690	HP-3002	C1500 Suburban	5.0L V8 4 BBL.	E-1420	HP-3002
S15 Pickup	2.8L V6 CARB	E-1035		C1500 Suburban	5.7L V8 CARB	E-1420	HP-3002
S15 Pickup	2.8L V6 CARB - 2WD	E-1035	HP-2001	C1500 Suburban	5.7L V8 DSL	E-1690	HP-2006
S15 Pickup	2.8L V6 CARB - 4WD	E-1035	HP-1001	C2500	5.7L V8 CARB - w/o 2qt. spin on		HP-3002
<b>1982 GMC</b>				C2500	7.4L V8 CARB	E-1320	HP-3002
C1500	4.1L L6 CARB	E-1030	HP-2002	C2500 Suburban	5.7L V8 CARB	E-1420	HP-3002
C1500	5.0L V8 CARB	E-1420	HP-3002	C2500 Suburban	7.4L V8 CARB		HP-3002
C1500	5.7L V8 CARB	E-1420		C3500	7.4L V8 CARB	E-1320	HP-3002
C1500	5.7L V8 CARB - 2qt. spin on	E-1420	HP-6002	Caballero	4.4L V8 CARB	E-1065	HP-2002
C1500	5.7L V8 CARB - w/o 2qt. spin on	E-1420	HP-3002	Caballero	5.0L V8 CARB	E-1500	HP-2002
C1500	6.2L V8 DSL	E-1690	HP-3002	Jimmy	5.0L V8 CARB	E-1150	HP-3002
C1500 Suburban	5.0L V8 CARB	E-1420	HP-3002	Jimmy	5.7L V8 CARB - w/o 2qt. spin on		HP-3002
C1500 Suburban	5.7L V8 CARB	E-1420		K1500	5.0L V8 CARB	E-1420	HP-3002
C1500 Suburban	5.7L V8 CARB - w/o 2qt. spin on	E-1420	HP-3002	K1500	5.7L V8 CARB - w/o 2qt. spin on		HP-3002
C1500 Suburban	6.2L V8 DSL	E-1690	HP-3002	K1500 Suburban	5.7L V8 CARB	E-1420	HP-3002
C2500	5.7L V8 CARB - w/o 2qt. spin on		HP-3002	K2500	5.7L V8 CARB - w/o 2qt. spin on		HP-3002
C2500	6.2L V8 DSL	E-1690	HP-3002	K2500 Suburban	5.7L V8 CARB	E-1420	HP-3002
C2500	7.4L V8 CARB	E-1320	HP-3002	K3500	5.7L V8 CARB - w/o 2qt. spin on		HP-3002
C2500 Suburban	5.7L V8 CARB - w/o 2qt. spin on		HP-3002	K3500	7.4L V8 CARB	E-1320	HP-3002
C2500 Suburban	6.2L V8 DSL	E-1690	HP-3002	P3500	5.7L V8 CARB - w/o 2qt. spin on		HP-3002
C2500 Suburban	7.4L V8 CARB		HP-3002	<b>1980 GMC</b>			
C2500 Suburban	7.4L V8 CARB - 3-7/16 in tall filter	E-1500	HP-3002	C1500	250 L6 CARB	E-1030	HP-2002
C3500	6.2L V8 DSL	E-1690	HP-3002	C1500	350 V8 CARB		HP-3002
C3500	7.4L V8 CARB	E-1320	HP-3002	C1500	350 V8 CARB - 3-7/16 in tall filter	E-1500	HP-3002
G1500	5.7L V8 CARB - w/o 2qt. spin on		HP-3002	C1500	350 V8 DSL	E-1690	HP-2006
G3500	5.7L V8 CARB - w/o 2qt. spin on		HP-3002	C1500	454 V8 CARB - w/o 2qt. spin on		HP-3002
Jimmy	5.0L V8 CARB	E-1420	HP-3002	C1500 Suburban	250 L6 CARB	E-1030	HP-2002
Jimmy	5.7L V8 CARB	E-1420	HP-3002	C1500 Suburban	350 V8 CARB		HP-3002
Jimmy	6.2L V8 DSL	E-1690	HP-3002	C1500 Suburban	350 V8 CARB - 3-7/16 in tall filter	E-1500	HP-3002
K1500	4.1L L6 CARB	E-1030	HP-2002	C1500 Suburban	350 V8 CARB - 5-1/2 in tall filter	E-1420	HP-3002
K1500	5.0L V8 CARB	E-1420	HP-3002	C1500 Suburban	350 V8 DSL	E-1690	HP-2006
K1500	5.7L V8 CARB	E-1420		C1500 Suburban	454 V8 CARB - w/o 2qt. spin on		HP-3002
K1500	5.7L V8 CARB - 2qt. spin on	E-1420	HP-6002	C2500	350 V8 CARB		HP-3002
K1500	5.7L V8 CARB - w/o 2qt. spin on	E-1420	HP-3002	C2500	350 V8 CARB - 3-7/16 in tall filter	E-1500	HP-3002
K1500	6.2L V8 DSL	E-1690	HP-3002	C2500	350 V8 CARB - 5-1/2 in tall filter	E-1420	HP-3002
K1500 Suburban	5.0L V8 CARB	E-1420	HP-3002	C2500	454 V8 CARB - w/o 2qt. spin on		HP-3002
K1500 Suburban	5.7L V8 CARB	E-1420		C2500 Suburban	350 V8 CARB		HP-3002
K1500 Suburban	5.7L V8 CARB - w/o 2qt. spin on	E-1420	HP-3002	C2500 Suburban	350 V8 CARB - 3-7/16 in tall filter	E-1500	HP-3002
K1500 Suburban	6.2L V8 DSL	E-1690	HP-3002	C2500 Suburban	350 V8 CARB - 5-1/2 in tall filter	E-1420	HP-3002
K2500	5.7L V8 CARB - w/o 2qt. spin on		HP-3002	C2500 Suburban	350 V8 DSL	E-1690	HP-2006
K2500	6.2L V8 DSL	E-1690	HP-3002	C2500 Suburban	454 V8 CARB - w/o 2qt. spin on		HP-3002
K2500 Suburban	5.7L V8 CARB - w/o 2qt. spin on		HP-3002	Jimmy	305 V8 CARB	E-1150	HP-3002
K2500 Suburban	6.2L V8 DSL	E-1690	HP-3002	Jimmy	350 V8 CARB		HP-3002
K3500	6.2L V8 DSL	E-1690	HP-3002	Jimmy	350 V8 CARB - 3-7/16 in tall filter	E-1500	HP-3002
S15 Pickup	2.8L V6 CARB	E-1035	HP-2001	K1500	350 V8 CARB		HP-3002
<b>1981 GMC</b>				K1500	350 V8 CARB - 3-7/16 in tall filter	E-1500	HP-3002
C1500	4.1L L6 CARB	E-1030	HP-2002	K1500	400 V8 CARB		HP-3002
C1500	5.0L V8 2 BBL.	E-1150	HP-3002	K1500 Suburban	350 V8 CARB		HP-3002
C1500	5.0L V8 4 BBL.	E-1420	HP-3002	K1500 Suburban	350 V8 CARB - 3-7/16 in tall filter	E-1500	HP-3002
C1500	5.7L V8 CARB	E-1420		K2500	350 V8 CARB		HP-3002
C1500	5.7L V8 CARB - 2qt. spin on	E-1420	HP-6002				
C1500	5.7L V8 CARB - w/o 2qt. spin on	E-1420	HP-3002				

\*Indicates 2 filters required      ♦ - Intake kit available      Applications updated daily at [knfilters.com](http://knfilters.com) ®

**Partial Listing - Complete List of Vehicles and Applications at [knfilters.com](http://knfilters.com)**

Vehicle	Engine Type	Air Filter	Oil Filter
<b>1980 GMC</b>			
K2500	350 V8 CARB - 3-7/16 in tall filter	E-1500	HP-3002
K2500	350 V8 CARB - 5-1/2 in tall filter	E-1420	HP-3002
K2500	400 V8 CARB		HP-3002
K2500 Suburban	350 V8 CARB		HP-3002
K2500 Suburban	350 V8 CARB - 3-7/16 in tall filter	E-1500	HP-3002
K2500 Suburban	350 V8 CARB - 5-1/2 in tall filter	E-1420	HP-3002
K2500 Suburban	400 V8 CARB		HP-3002

Vehicle	Engine Type	Air Filter	Oil Filter
<b>1979 GMC</b>			
C1500	305 V8 CARB	E-1150	HP-3002
C1500	350 V8 CARB	E-1450	
C1500	350 V8 CARB - 2qt. spin on	E-1450	HP-6002
C1500	350 V8 CARB - w/o 2qt. spin on	E-1450	HP-3002
C1500	350 V8 DSL	E-1690	HP-2006
C1500	400 V8 CARB	E-1500	HP-3002
C1500	454 V8 CARB	E-1500	HP-3002
C1500 Suburban	305 V8 CARB	E-1150	HP-3002
C1500 Suburban	350 V8 CARB	E-1500	
C1500 Suburban	350 V8 CARB - w/o 2qt. spin on	E-1500	HP-3002
C1500 Suburban	350 V8 DSL	E-1690	HP-2006
C1500 Suburban	454 V8 CARB	E-1500	HP-3002
C2500	454 V8 CARB	E-1500	HP-3002
C2500 Suburban	454 V8 CARB	E-1500	HP-3002
C3500	350 V8 CARB - w/o 2qt. spin on		HP-3002
C3500	454 V8 CARB	E-1500	HP-3002
Caballero	305 V8 CARB	E-1500	HP-2002
G3500	454 V8 CARB	E-1500	HP-3002
Jimmy	350 V8 CARB	E-1500	
Jimmy	350 V8 CARB - w/o 2qt. spin on	E-1500	HP-3002
Jimmy	400 V8 CARB	E-1500	HP-3002
K1500	350 V8 CARB - w/o 2qt. spin on		HP-3002
K1500	400 V8 CARB	E-1500	HP-3002
K1500	454 V8 CARB	E-1500	HP-3002
K1500 Suburban	305 V8 CARB	E-1150	HP-3002
K1500 Suburban	350 V8 CARB	E-1500	
K1500 Suburban	350 V8 CARB - w/o 2qt. spin on	E-1500	HP-3002
K1500 Suburban	400 V8 CARB	E-1500	HP-3002
K2500	350 V8 CARB - w/o 2qt. spin on		HP-3002
K2500 Suburban	292 L6 CARB	E-1120	HP-2002
K2500 Suburban	350 V8 CARB	E-1500	
K2500 Suburban	350 V8 CARB - w/o 2qt. spin on	E-1500	HP-3002
K2500 Suburban	400 V8 CARB	E-1500	HP-3002
K3500	350 V8 CARB - w/o 2qt. spin on		HP-3002
P3500	454 V8 CARB	E-1500	HP-3002

Vehicle	Engine Type	Air Filter	Oil Filter
<b>1978 GMC</b>			
C15	305 V8 CARB	E-1450	HP-3002
C15	350 V8 CARB	E-1500	HP-3002
C15	350 V8 DSL	E-1690	HP-2003
C15	454 V8 CARB	E-1500	
C15	454 V8 CARB - w/o 2qt. spin on	E-1500	HP-3002
C15 Suburban	305 V8 CARB	E-1450	HP-3002
C15 Suburban	350 V8 CARB	E-1500	HP-3002
C15 Suburban	350 V8 DSL	E-1690	HP-2003
C15 Suburban	454 V8 CARB	E-1500	
C15 Suburban	454 V8 CARB - w/o 2qt. spin on	E-1500	HP-3002

Vehicle	Engine Type	Air Filter	Oil Filter
<b>1978 GMC</b>			
C25	350 V8 CARB	E-1500	HP-3002
C25 Suburban	350 V8 CARB	E-1500	HP-3002
C25 Suburban	454 V8 CARB - w/o 2qt. spin on		HP-3002
Caballero	350 V8 CARB	E-1500	HP-2002
G25 Van	292 L6 CARB	E-1120	HP-3002
G25 Van	350 V8 CARB	E-1150	HP-3002
Jimmy	350 V8 CARB	E-1500	HP-3002
Jimmy	400 V8 CARB	E-1500	HP-3002
K15	350 V8 CARB	E-1500	HP-3002
K15	400 V8 CARB	E-1500	HP-3002
K15 Suburban	350 V8 CARB	E-1500	HP-3002
K15 Suburban	400 V8 CARB	E-1500	HP-3002
K25	350 V8 CARB	E-1500	HP-3002
K25	454 V8 CARB - w/o 2qt. spin on		HP-3002
K25 Suburban	305 V8 CARB	E-1450	HP-3002
K25 Suburban	350 V8 CARB	E-1500	HP-3002
K25 Suburban	400 V8 CARB	E-1500	HP-3002
Motorhome	350 V8 4 BBL. - Class A, 1/4 in taller than stock	E-3679	
Motorhome	400 V8 4 BBL. - Class C	E-1150	
P35	350 V8 CARB	E-1500	HP-3002
P35	454 V8 CARB	E-1500	HP-3002

Vehicle	Engine Type	Air Filter	Oil Filter
<b>1977 GMC</b>			
C15	350 V8 CARB	E-1500	
C15	350 V8 CARB - 2qt. spin on	E-1500	HP-6002
C15	350 V8 CARB - w/o 2qt. spin on	E-1500	HP-3002
C15 Suburban	305 V8 CARB	E-1450	HP-3002
C15 Suburban	350 V8 CARB	E-1500	
C15 Suburban	350 V8 CARB - w/o 2qt. spin on	E-1500	HP-3002
C15 Suburban	454 V8 CARB - w/o 2qt. spin on		HP-3002
C25	350 V8 CARB - w/o 2qt. spin on		HP-3002
C25	454 V8 CARB - w/o 2qt. spin on		HP-3002
C25 Suburban	350 V8 CARB - w/o 2qt. spin on		HP-3002
C25 Suburban	454 V8 CARB - w/o 2qt. spin on		HP-3002
Jimmy	350 V8 CARB	E-1500	
Jimmy	350 V8 CARB - w/o 2qt. spin on	E-1500	HP-3002
Jimmy	400 V8 CARB - w/o 2qt. spin on		HP-3002
K15	350 V8 CARB	E-1500	
K15	350 V8 CARB - w/o 2qt. spin on	E-1500	HP-3002
K15 Suburban	350 V8 CARB	E-1500	
K15 Suburban	350 V8 CARB - w/o 2qt. spin on	E-1500	HP-3002
K25	350 V8 CARB	E-1500	
K25	350 V8 CARB - w/o 2qt. spin on	E-1500	HP-3002
K25	400 V8 CARB	E-1500	
K25	400 V8 CARB - w/o 2qt. spin on	E-1500	HP-3002
K25 Suburban	350 V8 CARB	E-1500	
K25 Suburban	350 V8 CARB - w/o 2qt. spin on	E-1500	HP-3002
K25 Suburban	400 V8 CARB	E-1500	
K25 Suburban	400 V8 CARB - w/o 2qt. spin on	E-1500	HP-3002
Motorhome	400 V8 4 BBL. - Class C	E-1150	
Sprint Truck	305 V8 CARB		HP-3002

\*Indicates 2 filters required      ♦ - Intake kit available      Applications updated daily at [knfilters.com](http://knfilters.com) ®



# AIR & OIL FILTERS

# GMC

Vehicle	Engine Type	Air Filter	Oil Filter	Vehicle	Engine Type	Air Filter	Oil Filter
<b>1976 GMC</b>				<b>1975 GMC</b>			
C15	350 V8 CARB	E-1500		K25	400 V8 CARB	E-1500	HP-3002
C15	350 V8 CARB - w/o 2qt. spin on	E-1500	HP-3002	K25 Suburban	350 V8 2 BBL. - w/o 2qt. spin on		HP-3002
C15	454 V8 CARB - w/o 2qt. spin on		HP-3002	K25 Suburban	350 V8 4 BBL. - w/o 2qt. spin on		HP-3002
C15 Suburban	350 V8 CARB	E-1500		K25 Suburban	400 V8 CARB	E-1500	HP-3002
C15 Suburban	350 V8 CARB - w/o 2qt. spin on	E-1500	HP-3002	Motorhome	455 V8 4 BBL. - Class C	E-1650	
C15 Suburban	454 V8 CARB - w/o 2qt. spin on		HP-3002	<b>1974 GMC</b>			
C25	350 V8 CARB - w/o 2qt. spin on		HP-3002	C15/C1500 Pickup	350 V8 2 BBL. - 2qt. spin on		HP-6002
C25 Suburban	350 V8 CARB - w/o 2qt. spin on		HP-3002	C15/C1500 Pickup	350 V8 2 BBL. - w/o 2qt. spin on		HP-3002
Jimmy	350 V8 CARB	E-1500		C15/C1500 Pickup	350 V8 4 BBL.	E-1500	
Jimmy	350 V8 CARB - w/o 2qt. spin on	E-1500	HP-3002	C15/C1500 Pickup	350 V8 4 BBL. - 2qt. spin on	E-1500	HP-6002
Jimmy	400 V8 CARB - w/o 2qt. spin on		HP-3002	C15/C1500 Pickup	350 V8 4 BBL. - w/o 2qt. spin on	E-1500	HP-3002
K15	350 V8 CARB - w/o 2qt. spin on		HP-3002	C25/C2500 Pickup	454 V8 CARB - w/o 2qt. spin on		HP-3002
K15 Suburban	250 L6 CARB	E-1120	HP-2002	Jimmy	350 V8 2 BBL. - w/o 2qt. spin on		HP-3002
K15 Suburban	305 V8 CARB	E-1450	HP-3002	Jimmy	350 V8 4 BBL. - w/o 2qt. spin on		HP-3002
K15 Suburban	350 V8 CARB	E-1500		K15/K1500 Pickup	350 V8 2 BBL. - w/o 2qt. spin on		HP-3002
K15 Suburban	350 V8 CARB - w/o 2qt. spin on	E-1500	HP-3002	K15/K1500 Pickup	350 V8 4 BBL. - w/o 2qt. spin on		HP-3002
K15 Suburban	400 V8 CARB - w/o 2qt. spin on		HP-3002	K25/K2500 Pickup	350 V8 2 BBL. - w/o 2qt. spin on		HP-3002
K25	350 V8 CARB - w/o 2qt. spin on		HP-3002	K25/K2500 Pickup	350 V8 4 BBL. - w/o 2qt. spin on		HP-3002
K25 Suburban	350 V8 CARB - w/o 2qt. spin on		HP-3002	<b>1973 GMC</b>			
K25 Suburban	400 V8 CARB - w/o 2qt. spin on		HP-3002	C15/C1500 Pickup	307 V8 CARB	E-1150	HP-3002
Motorhome	455 V8 4 BBL. - Class C	E-1650		C15/C1500 Pickup	350 V8 CARB - w/o 2qt. spin on		HP-3002
<b>1975 GMC</b>				C25/C2500 Pickup	454 V8 CARB - w/o 2qt. spin on		HP-3002
C15	350 V8 2 BBL. - w/o 2qt. spin on		HP-3002	Jimmy	350 V8 CARB - w/o 2qt. spin on		HP-3002
C15	350 V8 4 BBL.	E-1500		Jimmy	454 V8 CARB - w/o 2qt. spin on		HP-3002
C15	350 V8 4 BBL. - w/o 2qt. spin on	E-1500	HP-3002	K25/K2500 Pickup	350 V8 CARB - w/o 2qt. spin on		HP-3002
C15 Suburban	350 V8 2 BBL. - w/o 2qt. spin on		HP-3002	Sprint Truck	350 V8 CARB		HP-3002
C15 Suburban	350 V8 4 BBL.	E-1500		<b>1972 GMC</b>			
C15 Suburban	350 V8 4 BBL. - w/o 2qt. spin on	E-1500	HP-3002	C15/C1500 Pickup	307 V8 CARB	E-1150	HP-3002
C15 Suburban	454 V8 CARB - w/o 2qt. spin on		HP-3002	C15/C1500 Pickup	350 V8 2 BBL.	E-1450	HP-3002
C25	350 V8 2 BBL. - w/o 2qt. spin on		HP-3002	C15/C1500 Pickup	350 V8 4 BBL.	E-1500	HP-3002
C25	350 V8 4 BBL. - w/o 2qt. spin on		HP-3002	C15/C1500 Suburban	350 V8 2 BBL.	E-1450	HP-3002
C25 Suburban	350 V8 2 BBL. - w/o 2qt. spin on		HP-3002	C15/C1500 Suburban	350 V8 4 BBL.	E-1500	HP-3002
C25 Suburban	350 V8 4 BBL. - w/o 2qt. spin on		HP-3002	C25/C2500 Pickup	350 V8 CARB	E-1500	HP-3002
C35	454 V8 CARB - w/o 2qt. spin on		HP-3002	C25/C2500 Pickup	402 V8 CARB	E-1500	HP-3002
Heavy Duty Truck	366 V8 4 BBL. - 4000-8500	E-1320		Jimmy	307 V8 CARB	E-1450	HP-3002
Jimmy	350 V8 2 BBL. - w/o 2qt. spin on		HP-3002	K15/K1500 Pickup	350 V8 2 BBL.	E-1450	HP-3002
Jimmy	350 V8 4 BBL. - w/o 2qt. spin on		HP-3002	K15/K1500 Pickup	350 V8 4 BBL.	E-1500	HP-3002
K15	350 V8 2 BBL. - w/o 2qt. spin on		HP-3002	K25/K2500 Pickup	350 V8 2 BBL.	E-1450	HP-3002
K15	350 V8 4 BBL. - w/o 2qt. spin on		HP-3002	K25/K2500 Pickup	350 V8 4 BBL.	E-1500	HP-3002
K15 Suburban	350 V8 2 BBL. - w/o 2qt. spin on		HP-3002	K35/K3500 Pickup	350 V8 2 BBL.	E-1450	HP-3002
K15 Suburban	350 V8 4 BBL.	E-1500		K35/K3500 Pickup	350 V8 4 BBL.	E-1500	HP-3002
K15 Suburban	350 V8 4 BBL. - w/o 2qt. spin on	E-1500	HP-3002	<b>1971 GMC</b>			
K25	350 V8 2 BBL. - w/o 2qt. spin on		HP-3002	C15/C1500 Pickup	350 V8 2 BBL. - w/o 2qt. spin on		HP-3002
K25	350 V8 4 BBL. - w/o 2qt. spin on		HP-3002	C15/C1500 Pickup	350 V8 4 BBL. - w/o 2qt. spin on		HP-3002
				C25/C2500 Pickup	350 V8 2 BBL. - w/o 2qt. spin on		HP-3002
				C25/C2500 Pickup	350 V8 4 BBL.	E-1500	
				C25/C2500 Pickup	350 V8 4 BBL. - w/o 2qt. spin on	E-1500	HP-3002
				C35/C3500 Pickup	350 V8 2 BBL. - w/o 2qt. spin on		HP-3002

\*Indicates 2 filters required

◆ - Intake kit available

Applications updated daily at [knfilters.com](http://knfilters.com) ®

**Partial Listing - Complete List of Vehicles and Applications at [knfilters.com](http://knfilters.com)**

# GMC

# AIR & OIL FILTERS

Vehicle	Engine Type	Air Filter	Oil Filter
<b>1971 GMC</b>			
C35/C3500 Pickup	350 V8 4 BBL. - w/o 2qt. spin on		HP-3002
Jimmy	350 V8 CARB - w/o 2qt. spin on		HP-3002
K15/K1500 Pickup	350 V8 2 BBL. - w/o 2qt. spin on		HP-3002
K15/K1500 Pickup	350 V8 4 BBL. - w/o 2qt. spin on		HP-3002
Sprint Truck	350 V8 CARB		HP-3002

<b>1970 GMC</b>			
C15/C1500 Pickup	350 V8 CARB - w/o 2qt. spin on		HP-3002
K25/K2500 Suburban	350 V8 2 BBL. - w/o 2qt. spin on		HP-3002
K25/K2500 Suburban	350 V8 4 BBL. - w/o 2qt. spin on		HP-3002

<b>1969 GMC</b>			
C15/C1500 Pickup	396 V8 CARB - Hi Perf.	E-1650	
C25/C2500 Pickup	396 V8 CARB - Hi Perf.	E-1650	
K15/K1500 Pickup	396 V8 CARB	E-1650	HP-3002
K25/K2500 Pickup	396 V8 CARB	E-1650	HP-3002

<b>1968 GMC</b>			
C15/C1500 Pickup	292 L6 CARB	E-1150	HP-2002
C15/C1500 Pickup	327 V8 CARB	E-1450	
C15/C1500 Pickup	396 V8 CARB - Hi Perf.	E-1650	

<b>1966 GMC</b>			
C15/C1500 Pickup	305 V6 CARB		HP-2003

<b>2011 HARLEY DAVIDSON</b>			
FLHR Road King	1584		HD-1508
FLHRC Road King Classic	1584		HD-1508
FLHTC Electra Glide Classic	1584		HD-1508
FLHTCU Ultra Classic Electra Glide	1584		HD-1508
FLHTCUTG Tri-Glide Ultra Classic	1584		HD-1508
FLHTK Electra Glide Ultra Limited	1690		HD-1508
FLHX Street Glide	1584		HD-1508
FLHXXX Street Glide Trike	1690		HD-1508
FLSTC Heritage Softail Classic	1586		HD-1499
FLSTF Fat Boy	1586		HD-1499
FLSTFB Softail Fat Boy Lo	1584		HD-1499
FLSTN Softail Deluxe	1584		HD-1499
FLTRX Road Glide Custom	1584		HD-1508
FXCWC Rocker C	1584		HD-1499
FXDB Dyna Street Bob	1584		HD-9608
FXDC Dyna Super Glide Custom	1584		HD-9608
FXDF Fat Bob	1584		HD-9608
FXDWG Dyna Wide Glide	1584		HD-9608
VRSCDX Night Rod Special	1250		HD-1102
VRSCF V-Rod Muscle	1250		HD-1102
XL883L Sportster Low	883		HD-8834
XL1200L Sportster Low	1200		HD-8834
XL1200N Sportster Nightster	1200		HD-8834

Vehicle	Engine Type	Air Filter	Oil Filter
<b>2011 HARLEY DAVIDSON</b>			
XL1200X Forty-Eight	1200		HD-8834
XL883N Iron 883	883		HD-8834
XR1200	1202		HD-1208

<b>2010 HARLEY DAVIDSON</b>			
FLHP Road King Police	1690		HD-1508
FLHR Road King	1584		HD-1508
FLHRC Road King Classic	1584		HD-1508
FLHT Electra Glide Standard	1584		HD-1508
FLHTC Electra Glide Classic	1584		HD-1508
FLHTCU Ultra Classic Electra Glide	1584		HD-1508
FLHTCUSE5 CVO Ultra Classic Electra Glide	1800		HD-1508
FLHTCUTG Tri-Glide Ultra Classic	1584		HD-1508
FLHTK Electra Glide Ultra Limited	1690		HD-1508
FLHTP Electra Glide Police	1690		HD-1508
FLHX Street Glide	1584		HD-1508
FLHXXX Street Glide Trike	1690		HD-1508
FLSTC Heritage Softail Classic	1586		HD-1499
FLSTF Fat Boy	1586		HD-1499
FLSTFB Softail Fat Boy Lo	1584		HD-1499
FLSTN Softail Deluxe	1586		HD-1499
FLSTSB Softail Cross Bones	1586		HD-1499
FLTR Road Glide	1584		HD-1508
FLTRX Road Glide Custom	1584		HD-1508
FXCWC Rocker C	1584		HD-1499
FXD Dyna Super Glide	1584		HD-9608
FXDB Dyna Street Bob	1584		HD-9608

\*Indicates 2 filters required    ♦ - Intake kit available    Applications updated daily at [knfilters.com](http://knfilters.com) ®

# AIR & OIL FILTERS HARLEY DAVIDSON

Vehicle	Engine Type	Air Filter	Oil Filter	Vehicle	Engine Type	Air Filter	Oil Filter
<b>2010 HARLEY DAVIDSON</b>				<b>2009 HARLEY DAVIDSON</b>			
FXDB Dyna Street Bob	1584	HD-9608	KN-171C	FLHTCUTG Tri-Glide Ultra Classic	1584	HD-1508	KN-171B
FXDC Dyna Super Glide Custom	1584	HD-9608	KN-171B			HD-1508	KN-171C
		HD-9608	KN-171C	FLHTP Electra Glide Police	1690	HD-1508	KN-171B
FXDF Fat Bob	1584	HD-9608				HD-1508	KN-171C
FXDL Dyna Low Rider	1584	HD-9608		FLHX Street Glide	1584	HD-1508	KN-171B
FXDWG Dyna Wide Glide	1584	HD-9608	KN-171B	FLSTC Heritage Softail Classic	1586	HD-1499	KN-171B
		HD-9608	KN-171C			HD-1499	KN-171C
FXSTC Softail Custom	1586	HD-1499	KN-171B	FLSTF Fat Boy	1586	HD-1499	KN-171B
		HD-1499	KN-171C			HD-1499	KN-171C
VRSCAW V-Rod	1250	HD-1102		FLSTN Softail Deluxe	1586	HD-1499	KN-171B
VRSCDX Night Rod Special	1131		KN-174C	FLSTSB Softail Cross Bones	1586	HD-1499	KN-171C
VRSCDX Night Rod Special	1250	HD-1102					KN-171C
VRSCF V-Rod Muscle	1250	HD-1102		FLSTSB Softail Cross Bones	1586 - Non-US	HD-1499	KN-171B
XL883C Sportster Custom	883	HD-8834		FLTR Road Glide	1584	HD-1508	KN-171B
XL883L Sportster Low	883	HD-8834				HD-1508	KN-171C
XL1200C Sportster Custom	1200	HD-8834	KN-170	FLTRSE3 CVO Road Glide	1800		KN-171B
		HD-8834	KN-170C				KN-171C
XL1200L Sportster Low	1200	HD-8834		FXCW Rocker	1584	HD-1499	KN-171B
XL1200N Sportster Nightster	1200	HD-8834				HD-1499	KN-171C
XL883N Iron 883	883		KN-170	FXCWC Rocker C	1584	HD-1499	KN-171B
			KN-170C			HD-1499	KN-171C
XR1200	1202	HD-1208	KN-170	FXD Dyna Super Glide	1584	HD-9608	KN-171B
		HD-1208	KN-170C			HD-9608	KN-171C
<b>2009 HARLEY DAVIDSON</b>				FXDB Dyna Street Bob	1584	HD-9608	KN-171B
FLHP Road King Police	1690	HD-1508	KN-171B			HD-9608	KN-171C
		HD-1508	KN-171C	FXDC Dyna Super Glide Custom	1584	HD-9608	KN-171B
FLHR Road King	1584	HD-1508	KN-171B			HD-9608	KN-171C
		HD-1508	KN-171C	FXDF Fat Bob	1584	HD-9608	KN-171B
FLHRC Road King Classic	1584	HD-1508	KN-171B			HD-9608	KN-171C
		HD-1508	KN-171C	FXDFSE CVO Fat Bob	1800		KN-171B
FLHT Electra Glide Standard	1584	HD-1508	KN-171B				KN-171C
		HD-1508	KN-171C	FXDL Dyna Low Rider	1584	HD-9608	KN-171B
FLHTC Electra Glide Classic	1584	HD-1508	KN-171B			HD-9608	KN-171C
		HD-1508	KN-171C	FXDWG Dyna Wide Glide	1584		KN-171B
FLHTCU Ultra Classic Electra Glide	1584	HD-1508	KN-171B				KN-171C
		HD-1508	KN-171C	FXSTB Night Train	1586	HD-1499	KN-171B
FLHTCUSE4 CVO Ultra Classic Electra Glide	1800	HD-1508	KN-171B			HD-1499	KN-171C
		HD-1508	KN-171C	FXSTC Softail Custom	1586	HD-1499	KN-171B
						HD-1499	KN-171C
				FXSTSSE3 CVO Softail Springer	1800		KN-171B
							KN-171C

\*Indicates 2 filters required    ♦ - Intake kit available    Applications updated daily at [knfilters.com](http://knfilters.com) ®

**Partial Listing - Complete List of Vehicles and Applications at [knfilters.com](http://knfilters.com)**

# HARLEY DAVIDSON AIR & OIL FILTERS

Vehicle	Engine Type	Air Filter	Oil Filter	Vehicle	Engine Type	Air Filter	Oil Filter
<b>2009 HARLEY DAVIDSON</b>				<b>2008 HARLEY DAVIDSON</b>			
VRSCAW V-Rod	1131		KN-174C	FLSTSB Softail Cross	1586		KN-171B
VRSCAW V-Rod	1250	HD-1102	KN-174C	Bones			
VRSCDX Night Rod	1131		KN-174C				KN-171C
VRSCDX Night Rod Special				FLSTSB Softail Cross	1586 - Non-US	HD-1499	KN-171B
VRSCDX Night Rod Special	1250	HD-1102	KN-174C	Bones			
VRSCF V-Rod	1250	HD-1102	KN-174C	FLTR Road Glide	1584	HD-1508	KN-171B
XL883C Sportster	871	HD-8834	KN-171B			HD-1508	KN-171C
Custom				FXCW Rocker	1584	HD-1499	KN-171B
		HD-8834	KN-171C			HD-1499	KN-171C
XL883L Sportster	871	HD-8834	KN-171B	FXCWC Rocker C	1584	HD-1499	KN-171B
Low						HD-1499	KN-171C
		HD-8834	KN-171C	FXD Dyna Super	1584	HD-9608	KN-171B
XL1200C Sportster	1200	HD-8834	KN-171B	Glide		HD-9608	KN-171C
Custom							
		HD-8834	KN-171C	FXDB Dyna Street	1584	HD-9608	KN-171B
XL1200L Sportster	1200	HD-8834	KN-171B	Bob		HD-9608	KN-171C
Low							
		HD-8834	KN-171C	FXDC Dyna Super	1584	HD-9608	KN-171B
XL1200N Sportster	1200	HD-8834	KN-171B	Glide Custom		HD-9608	KN-171C
Nightster							
		HD-8834	KN-171C	FXDF Fat Bob	1584	HD-9608	KN-171B
XR1200	1202	HD-1208	KN-171B			HD-9608	KN-171C
		HD-1208	KN-171C	FXDL Dyna Low	1584	HD-9608	KN-171B
				Rider		HD-9608	KN-171C
<b>2008 HARLEY DAVIDSON</b>				FXDSE2 Screamin	1800		KN-171B
FLHR Road King	1584	HD-1508	KN-171B	Eagle Dyna			KN-171C
		HD-1508	KN-171C				
FLHRC Road King	1584	HD-1508	KN-171B	FXDSE2 Screamin	1800 - US	HD-0800	KN-171B
Classic				Eagle Dyna			
		HD-1508	KN-171C	FXDWG Dyna Wide	1584	HD-9608	KN-171B
FLHRSE4 Screamin	1800	HD-1508	KN-171B	Glide		HD-9608	KN-171C
Eagle Road King							
		HD-1508	KN-171C	FXSTB Night Train	1586	HD-1499	KN-171B
FLHT Electra Glide	1584	HD-1508	KN-171B			HD-1499	KN-171C
Standard				FXSTC Softail	1586	HD-1499	KN-171B
		HD-1508	KN-171C	Custom		HD-1499	KN-171C
FLHTC Electra Glide	1584	HD-1508	KN-171B				
Classic				FXSTSSE2 Screamin	1800		KN-171B
		HD-1508	KN-171C	Eagle Softail Springer			KN-171C
FLHTCU Ultra Classic	1584	HD-1508	KN-171B				
Electra Glide				VRSCAW V-Rod	1131		KN-174C
		HD-1508	KN-171C	VRSCAW V-Rod	1250	HD-1102	KN-174C
FLHTCUSE3	1800	HD-1508	KN-171B	VRSCD Night Rod	1131		KN-174C
Screamin Eagle Ultra				VRSCD Night Rod	1250	HD-1102	KN-174C
Classic Electra Gl				VRSCDX Night Rod	1131		KN-174C
		HD-1508	KN-171C	Special			
FLHX Street Glide	1584	HD-1508	KN-171B	VRSCDX Night Rod	1250	HD-1102	KN-174C
		HD-1508	KN-171C	Special			
FLSTC Heritage	1586	HD-1499	KN-171B	XL883 Sportster	883	HD-8834	KN-171B
Softail Classic						HD-8834	KN-171C
		HD-1499	KN-171C	XL883C Sportster	871	HD-8834	KN-171B
FLSTF Fat Boy	1586	HD-1499	KN-171B	Custom		HD-8834	KN-171C
		HD-1499	KN-171C				
FLSTN Softail Deluxe	1586	HD-1499	KN-171B	XL883L Sportster	871	HD-8834	KN-171B
		HD-1499	KN-171C	Low		HD-8834	KN-171C
				XL1200C Sportster	1200	HD-8834	KN-171B
				Custom			

\*Indicates 2 filters required    ♦ - Intake kit available    Applications updated daily at [knfilters.com](http://knfilters.com) ®

# AIR & OIL FILTERS HARLEY DAVIDSON

Vehicle	Engine Type	Air Filter	Oil Filter	Vehicle	Engine Type	Air Filter	Oil Filter
<b>2008 HARLEY DAVIDSON</b>				<b>2007 HARLEY DAVIDSON</b>			
XL1200C Sportster Custom	1200	HD-8834	KN-171C	FLTR Road Glide	1586	HD-1499	KN-171C
XL1200L Sportster Low	1200	HD-8834	KN-171B	FXD Dyna Super Glide	1586	HD-1499	KN-171B
		HD-8834	KN-171C			HD-1499	KN-171C
XL1200N Sportster Nightster	1200	HD-8834	KN-171B	FXDB Dyna Street Bob	1586	HD-1499	KN-171B
		HD-8834	KN-171C			HD-1499	KN-171C
XL1200R Sportster Roadster	1200	HD-8834	KN-171B	FXDC Dyna Super Glide Custom	1586	HD-1499	KN-171B
		HD-8834	KN-171C			HD-1499	KN-171C
XR1200	1202	HD-1208	KN-171B	FXDL Dyna Low Rider	1586	HD-1499	KN-171B
		HD-1208	KN-171C			HD-1499	KN-171C
<b>2007 HARLEY DAVIDSON</b>				FXDSE Screamin Eagle Dyna	1805		KN-171B
FLHR Road King	1586	HD-1499	KN-171B				KN-171C
		HD-1499	KN-171C				
FLHRC Road King Classic	1586	HD-1499	KN-171B	FXDSE Screamin Eagle Dyna	1805 - Replaces air filter part# 29442-99A/B/C/D	HD-0800	KN-171B
		HD-1499	KN-171C				
FLHRS Road King Custom	1586	HD-1499	KN-171B	FXDWG Dyna Wide Glide	1586	HD-1499	KN-171B
		HD-1499	KN-171C			HD-1499	KN-171C
FLHRSE3 Screamin Eagle Road King	1805		KN-171B	FXST Softail Standard	1586	HD-1499	KN-171B
			KN-171C			HD-1499	KN-171C
FLHRSE3 Screamin Eagle Road King	1805 - Replaces air filter part# 29442-99A/B/C/D	HD-0800	KN-171B	FXSTB Night Train	1586	HD-1499	KN-171B
						HD-1499	KN-171C
FLHT Electra Glide Standard	1586	HD-1499	KN-171B	FXSTC Softail Custom	1584	HD-1499	KN-171B
		HD-1499	KN-171C			HD-1499	KN-171C
FLHTC Electra Glide Classic	1586	HD-1499	KN-171B	FXSTD Softail Deuce	1586	HD-1499	KN-171B
		HD-1499	KN-171C			HD-1499	KN-171C
FLHTCU Ultra Classic Electra Glide	1586	HD-1499	KN-171B	FXSTSSE Screamin Eagle Softail Springer	1805		KN-171B
		HD-1499	KN-171C				KN-171C
FLHTCUSE2 Screamin Eagle Ultra Classic Electra Gli	1805		KN-171B	FXSTSSE Screamin Eagle Softail Springer	1805 - Replaces air filter part# 29442-99A/B/C/D	HD-0800	KN-171B
			KN-171C	VRSCAW V-Rod	1131	HD-1102	KN-174C
				VRSCD Night Rod	1131	HD-1102	KN-174C
			KN-171C	VRSCDX Night Rod Special	1131	HD-1102	KN-174C
				VRSCR Street Rod	1131	HD-1102	KN-174C
				VRSCX	1131		KN-174C
				VRSCX V-Rod	1250	HD-1102	KN-174C
FLHTCUSE2 Screamin Eagle Ultra Classic Electra Gli	1805 - Replaces air filter part# 29442-99A/B/C/D	HD-0800	KN-171B	XL50 50th Anniversary Sportster	1200	HD-8834	KN-171B
FLHX Street Glide	1586	HD-1499	KN-171B			HD-8834	KN-171C
		HD-1499	KN-171C				
FLSTC Heritage Softail Classic	1586	HD-1499	KN-171B	XL883 Sportster	883	HD-8834	KN-171B
		HD-1499	KN-171C			HD-8834	KN-171C
			KN-171C	XL883C Sportster Custom	871	HD-8834	KN-171B
FLSTF Fat Boy	1586	HD-1499	KN-171B			HD-8834	KN-171C
		HD-1499	KN-171C				
FLSTN Softail Deluxe	1586	HD-1499	KN-171B	XL883L Sportster Low	871	HD-8834	KN-171B
		HD-1499	KN-171C				
FLSTSC Softail Springer	1584	HD-1499	KN-171B			HD-8834	KN-171C
		HD-1499	KN-171C	XL883R Sportster	871	HD-8834	KN-171B
			KN-171C			HD-8834	KN-171C
FLTR Road Glide	1586	HD-1499	KN-171B				

\*Indicates 2 filters required    ♦ - Intake kit available    Applications updated daily at [knfilters.com](http://knfilters.com) ®

**Partial Listing - Complete List of Vehicles and Applications at [knfilters.com](http://knfilters.com)**

# HARLEY DAVIDSON AIR & OIL FILTERS

Vehicle	Engine Type	Air Filter	Oil Filter	Vehicle	Engine Type	Air Filter	Oil Filter
<b>2007 HARLEY DAVIDSON</b>				<b>2006 HARLEY DAVIDSON</b>			
XL1200C Sportster Custom	1200	HD-8834	KN-171B	FLSTFI Fat Boy F/I	1432	HD-1499	KN-171B
		HD-8834	KN-171C	FLSTI Heritage Softail F/I	1432	HD-1499	KN-171C
XL1200L Sportster Low	1200	HD-8834	KN-171B			HD-1499	KN-171C
		HD-8834	KN-171C	FLSTN Softail Deluxe	1432	HD-1499	KN-171B
XL1200N Sportster Nightster	1200	HD-8834	KN-171B			HD-1499	KN-171C
		HD-8834	KN-171C	FLSTNI Softail Deluxe F/I	1432	HD-1499	KN-171B
XL1200R Sportster Roadster	1200	HD-8834	KN-171B			HD-1499	KN-171C
		HD-8834	KN-171C	FLSTSC Softail Springer Classic	1432	HD-1499	KN-171B
<b>2006 HARLEY DAVIDSON</b>						HD-1499	KN-171C
FLHR Road King	1432	HD-1499	KN-171B	FLSTSCI Softail Springer Classic F/I	1432	HD-1499	KN-171B
		HD-1499	KN-171C			HD-1499	KN-171C
FLHRCI Road King Classic F/I	1432	HD-1499	KN-171B	FLTRI Road Glide F/I	1432	HD-1499	KN-171B
		HD-1499	KN-171C			HD-1499	KN-171C
FLHRI Road King F/I	1432	HD-1499	KN-171B	FXD Dyna Super Glide	1432	HD-1499	KN-171B
		HD-1499	KN-171C			HD-1499	KN-171C
FLHRS Road King Custom	1432	HD-1499	KN-171B	FXDBI Street Bob F/I	1432	HD-1499	KN-171B
		HD-1499	KN-171C			HD-1499	KN-171C
FLHRSI Road King Custom F/I	1432	HD-1499	KN-171B	FXDC Dyna Super Glide Custom	1432	HD-1499	KN-171B
		HD-1499	KN-171C			HD-1499	KN-171C
FLHT Electra Glide Standard	1432	HD-1499	KN-171B	FXDCI Dyna Super Glide Custom F/I	1432	HD-1499	KN-171B
		HD-1499	KN-171C			HD-1499	KN-171C
FLHTCI Electra Glide Classic F/I	1432	HD-1499	KN-171B	FXDI Dyna Super Glide F/I	1432	HD-1499	KN-171B
		HD-1499	KN-171C			HD-1499	KN-171C
FLHTCUI Ultra Classic Electra Glide F/I	1432	HD-1499	KN-171B	FXDI35 35th Anniv. Super Glide F/I	1432	HD-1499	KN-171B
		HD-1499	KN-171C			HD-1499	KN-171C
FLHTI Electra Glide Standard F/I	1432	HD-1499	KN-171B	FXDL Dyna Low Rider	1432	HD-1499	KN-171B
		HD-1499	KN-171C			HD-1499	KN-171C
FLHX Street Glide	1432	HD-1499	KN-171B	FXDLI Dyna Low Rider F/I	1432	HD-1499	KN-171B
		HD-1499	KN-171C			HD-1499	KN-171C
FLHXI Street Glide F/I	1432	HD-1499	KN-171B	FXDWG Dyna Wide Glide	1432	HD-1499	KN-171B
		HD-1499	KN-171C			HD-1499	KN-171C
FLST Heritage Softail	1432	HD-1499	KN-171B	FXDWGI Dyna Wide Glide F/I	1432	HD-1499	KN-171B
		HD-1499	KN-171C			HD-1499	KN-171C
FLSTC Heritage Softail Classic	1432	HD-1499	KN-171B	FXST Softail Standard	1432	HD-1499	KN-171B
		HD-1499	KN-171C			HD-1499	KN-171C
FLSTCI Heritage Softail Classic F/I	1432	HD-1499	KN-171B	FXSTB Night Train	1432	HD-1499	KN-171B
		HD-1499	KN-171C			HD-1499	KN-171C
FLSTF Fat Boy	1432	HD-1499	KN-171B	FXSTBI Night Train F/I	1450	HD-1499	KN-171B
		HD-1499	KN-171C			HD-1499	KN-171C
FLSTF Fat Boy	1586		KN-171B	FXSTD Softail Deuce	1432	HD-1499	KN-171B
			KN-171C				

\*Indicates 2 filters required

◆ - Intake kit available

Applications updated daily at [knfilters.com](http://knfilters.com) ®

# AIR & OIL FILTERS HARLEY DAVIDSON

Vehicle	Engine Type	Air Filter	Oil Filter	Vehicle	Engine Type	Air Filter	Oil Filter
<b>2006 HARLEY DAVIDSON</b>				<b>2005 HARLEY DAVIDSON</b>			
FXSTD Softail Deuce	1432	HD-1499	KN-171C	FLHRI Road King F/I	1432	HD-1499	KN-171B
FXSTDI Softail Deuce F/I	1432	HD-1499	KN-171B			HD-1499	KN-171C
		HD-1499	KN-171C	FLHRS Road King Custom	1432	HD-1499	KN-171B
						HD-1499	KN-171C
FXSTI Softail Standard F/I	1432	HD-1499	KN-171B				
		HD-1499	KN-171C	FLHRSI Road King Custom F/I	1432	HD-1499	KN-171B
						HD-1499	KN-171C
FXSTS Springer Softail	1432	HD-1499	KN-171B				
		HD-1499	KN-171C	FLHT Electra Glide Standard	1432	HD-1499	KN-171B
						HD-1499	KN-171C
FXSTS Springer Softail	1450	HD-1499	KN-171B				
		HD-1499	KN-171C	FLHTC Electra Glide Classic	1432	HD-1499	KN-171B
						HD-1499	KN-171C
FXSTSI Springer Softail F/I	1450	HD-1499	KN-171B				
		HD-1499	KN-171C	FLHTCI Electra Glide Classic F/I	1432	HD-1499	KN-171B
						HD-1499	KN-171C
VRSCA V-Rod	1131	HD-1102	KN-174C				
VRSCD Night Rod	1131	HD-1102	KN-174C	FLHTCSE2 Screamin Eagle Electra Glide 2	1690		KN-171B
VRSCR Street Rod	1131	HD-1102	KN-174C				
VRSCSE2 Screamin Eagle V-Rod	1223	HD-1102	KN-174C				KN-171C
XL883 Sportster	883	HD-8834	KN-171B	FLHTCSE2 Screamin Eagle Electra Glide 2	1690 - Replaces air filter part# 29442-99A/B/C/D	HD-0800	KN-171B
		HD-8834	KN-171C				
XL883C Sportster Custom	871	HD-8834	KN-171B	FLHTCSE2 Screamin Eagle Electra Glide 2	1690 - Replaces air filter part# 29461-99	HD-1499	KN-171B
		HD-8834	KN-171C	FLHTCUI Ultra Classic Electra Glide F/I	1432	HD-1499	KN-171B
						HD-1499	KN-171C
XL883L Sportster Low	871	HD-8834	KN-171B				
		HD-8834	KN-171C			HD-1499	KN-171C
XL883R Sportster	871	HD-8834	KN-171B	FLHTI Electra Glide Standard F/I	1432	HD-1499	KN-171B
		HD-8834	KN-171C				
XL1200C Sportster Custom	1168	HD-8834	KN-171B			HD-1499	KN-171C
		HD-8834	KN-171C	FLSTC Heritage Softail Classic	1432	HD-1499	KN-171B
XL1200L Sportster Low	1200	HD-8834	KN-171B			HD-1499	KN-171C
		HD-8834	KN-171C	FLSTCI Heritage Softail Classic F/I	1432	HD-1499	KN-171B
XL1200R Sportster Roadster	1168	HD-8834	KN-171B			HD-1499	KN-171C
		HD-8834	KN-171C	FLSTF Fat Boy	1432	HD-1499	KN-171B
						HD-1499	KN-171C
XLH883 Sportster	883		KN-170	FLSTF Fat Boy	1586		KN-171B
			KN-170C				KN-171C
XLH883 Sportster Custom	883		KN-170	FLSTFI Fat Boy F/I	1432	HD-1499	KN-171B
			KN-170C			HD-1499	KN-171C
XLH883L Sportster Low	883		KN-170	FLSTFI Fat Boy F/I 15th Anniv.	1550	HD-0800	KN-171B
			KN-170C			HD-0800	KN-171C
XLH883R Sportster R	883		KN-170	FLSTFSE Screamin Eagle Fat Boy	1690	HD-0800	KN-171B
			KN-170C			HD-0800	KN-171C
			KN-170C	FLSTN Softail Deluxe	1432	HD-1499	KN-171B
<b>2005 HARLEY DAVIDSON</b>						HD-1499	KN-171C
FLHR Road King	1432	HD-1499	KN-171B	FLSTNI Softail Deluxe F/I	1432	HD-1499	KN-171B
		HD-1499	KN-171C			HD-1499	KN-171C
FLHRCI Road King Classic F/I	1432	HD-1499	KN-171B			HD-1499	KN-171C
		HD-1499	KN-171C	FLSTSC Softail Springer Classic	1432	HD-1499	KN-171B

\*Indicates 2 filters required      ♦ - Intake kit available      Applications updated daily at [knfilters.com](http://knfilters.com) ®

**Partial Listing - Complete List of Vehicles and Applications at [knfilters.com](http://knfilters.com)**

# HARLEY DAVIDSON AIR & OIL FILTERS

Vehicle	Engine Type	Air Filter	Oil Filter	Vehicle	Engine Type	Air Filter	Oil Filter
<b>2005 HARLEY DAVIDSON</b>				<b>2005 HARLEY DAVIDSON</b>			
FLSTSC Softail Springer Classic	1432	HD-1499	KN-171C	FXSTS Springer Softail	1450	HD-1499	KN-171C
FLSTSCI Softail Springer Classic F/I	1432	HD-1499	KN-171B	FXSTSI Springer Softail F/I	1450	HD-1499	KN-171B
		HD-1499	KN-171C			HD-1499	KN-171C
FLTRI Road Glide F/I	1432	HD-1499	KN-171B	VRSCA V-Rod	1131	HD-1102	KN-174C
		HD-1499	KN-171C	VRSCB V-Rod	1131	HD-1102	KN-174C
FXD Dyna Super Glide	1432	HD-1499	KN-171B	VRSCSE Screamin Eagle V-Rod	1223	HD-1102	KN-174C
		HD-1499	KN-171C	XL883 Sportster	883	HD-8834	KN-171B
FXDC Dyna Super Glide Custom	1432	HD-1499	KN-171B	XL883C Sportster Custom	871	HD-8834	KN-171C
		HD-1499	KN-171C			HD-8834	KN-171C
FXDCI Dyna Super Glide Custom F/I	1432	HD-1499	KN-171B	XL883L Sportster Low	871	HD-8834	KN-171B
		HD-1499	KN-171C			HD-8834	KN-171C
FXDI Dyna Super Glide F/I	1432	HD-1499	KN-171B	XL883R Sportster	871	HD-8834	KN-171B
		HD-1499	KN-171C			HD-8834	KN-171C
FXDL Dyna Low Rider	1432	HD-1499	KN-171B	XL1200C Sportster Custom	1168	HD-8834	KN-171B
		HD-1499	KN-171C			HD-8834	KN-171C
FXDLI Dyna Low Rider F/I	1432	HD-1499	KN-171B	XL1200R Sportster Roadster	1168	HD-8834	KN-171B
		HD-1499	KN-171C			HD-8834	KN-171C
FXDWG Dyna Wide Glide	1432	HD-1499	KN-171B	XLH883 Sportster	883		KN-170
		HD-1499	KN-171C	XLH883 Sportster Custom	883		KN-170C
							KN-170
FXDWGI Dyna Wide Glide F/I	1432	HD-1499	KN-171B	XLH883L Sportster Low	883		KN-170
		HD-1499	KN-171C				KN-170C
FXDXI Dyna Super Glide Sport F/I	1450	HD-1499	KN-171B	<b>2004 HARLEY DAVIDSON</b>			
		HD-1499	KN-171C	FLHR Road King	1432	HD-1499	KN-171B
FXST Softail Standard	1432	HD-1499	KN-171B	FLHRCI Road King Classic F/I	1432	HD-1499	KN-171C
		HD-1499	KN-171C			HD-1499	KN-171B
FXSTB Night Train	1432	HD-1499	KN-171B	FLHRI Road King F/I	1432	HD-1499	KN-171B
		HD-1499	KN-171C			HD-1499	KN-171C
FXSTBI Night Train F/I	1450	HD-1499	KN-171B	FLHRS Road King Custom	1432	HD-1499	KN-171B
		HD-1499	KN-171C			HD-1499	KN-171C
FXSTD Softail Deuce	1432	HD-1499	KN-171B	FLHRSI Road King Custom F/I	1432	HD-1499	KN-171B
		HD-1499	KN-171C			HD-1499	KN-171C
FXSTDI Softail Deuce F/I	1432	HD-1499	KN-171B	FLHT Electra Glide Standard	1432	HD-1499	KN-171B
		HD-1499	KN-171C			HD-1499	KN-171C
FXSTI Softail Standard F/I	1432	HD-1499	KN-171B	FLHTC Electra Glide Classic	1432	HD-1499	KN-171B
		HD-1499	KN-171C			HD-1499	KN-171C
FXSTS Springer Softail	1432	HD-1499	KN-171B	FLHTCI Electra Glide Classic F/I	1432	HD-1499	KN-171B
		HD-1499	KN-171C			HD-1499	KN-171C
FXSTS Springer Softail	1450	HD-1499	KN-171B			HD-1499	KN-171C

\*Indicates 2 filters required    ♦ - Intake kit available    Applications updated daily at [knfilters.com](http://knfilters.com) ®



# AIR & OIL FILTERS HARLEY DAVIDSON

Vehicle	Engine Type	Air Filter	Oil Filter	Vehicle	Engine Type	Air Filter	Oil Filter
<b>2004 HARLEY DAVIDSON</b>				<b>2004 HARLEY DAVIDSON</b>			
FLHTCSE Screamin Eagle Electra Glide	1690		KN-171B	FXSTBI Night Train F/I	1450	HD-1499	KN-171C
			KN-171C	FXSTD Softail Deuce	1432	HD-1499	KN-171B
						HD-1499	KN-171C
FLHTCUI Ultra Classic Electra Glide F/I	1432	HD-1499	KN-171B	FXSTDI Softail Deuce F/I	1432	HD-1499	KN-171B
			KN-171C			HD-1499	KN-171C
				FXSTDSE Screamin Eagle Softail Deuce	1550		KN-171B
FLHTI Electra Glide Standard F/I	1432	HD-1499	KN-171B				KN-171C
			KN-171C	FXSTI Softail Standard F/I	1432	HD-1499	KN-171B
FLSTC Heritage Softail Classic	1432	HD-1499	KN-171B			HD-1499	KN-171C
			KN-171C	FXSTS Springer Softail	1432	HD-1499	KN-171B
FLSTCI Heritage Softail Classic F/I	1432	HD-1499	KN-171B			HD-1499	KN-171C
			KN-171C	FXSTS Springer Softail	1450	HD-1499	KN-171B
FLSTF Fat Boy	1432	HD-1499	KN-171B			HD-1499	KN-171C
			KN-171C	FXSTSI Springer Softail F/I	1450	HD-1499	KN-171B
FLSTF Fat Boy	1586		KN-171B			HD-1499	KN-171C
			KN-171C	VRSCA V-Rod	1131	HD-1102	KN-174C
FLSTFI Fat Boy F/I	1432	HD-1499	KN-171B	VRSCB V-Rod	1131	HD-1102	KN-174C
			KN-171C	XL883 Sportster	883	HD-8834	KN-171B
FLTRI Road Glide F/I	1432	HD-1499	KN-171B			HD-8834	KN-171C
			KN-171C	XL883C Sportster Custom	871	HD-8834	KN-171B
FXD Dyna Super Glide	1432	HD-1499	KN-171C			HD-8834	KN-171C
			KN-171B	XL1200C Sportster Custom	1168	HD-8834	KN-171B
FXDI Dyna Super Glide F/I	1432	HD-1499	KN-171C			HD-8834	KN-171C
			KN-171B	XL1200R Sportster Roadster	1168	HD-8834	KN-171B
FXDL Dyna Low Rider	1432	HD-1499	KN-171B			HD-8834	KN-171C
			KN-171C	XLH883 Sportster	883		KN-170
FXDLI Dyna Low Rider F/I	1432	HD-1499	KN-171B				KN-170C
			KN-171C	XLH883 Sportster Custom	883		KN-170
FXDWG Dyna Wide Glide	1432	HD-1499	KN-171B				KN-170C
			KN-171C	<b>2003 HARLEY DAVIDSON</b>			
FXDWGI Dyna Wide Glide F/I	1432	HD-1499	KN-171B	FLHR Road King	1432	HD-1499	KN-171B
			KN-171C			HD-1499	KN-171C
FXDX Dyna Super Glide Sport	1432	HD-1499	KN-171B	FLHRCI Road King Classic F/I	1432	HD-1499	KN-171B
			KN-171C			HD-1499	KN-171C
FXDXI Dyna Super Glide Sport F/I	1432	HD-1499	KN-171B	FLHRI Road King F/I	1432	HD-1499	KN-171B
			KN-171C			HD-1499	KN-171C
FXST Softail Standard	1432	HD-1499	KN-171B	FLHT Electra Glide Standard	1432	HD-1499	KN-171B
			KN-171C			HD-1499	KN-171C
FXSTB Night Train	1432	HD-1499	KN-171B	FLHTC Electra Glide Classic	1432	HD-1499	KN-171B
			KN-171C			HD-1499	KN-171C
FXSTBI Night Train F/I	1450	HD-1499	KN-171B	FLHTCI Electra Glide Classic F/I	1432	HD-1499	KN-171B

\*Indicates 2 filters required    ♦ - Intake kit available    Applications updated daily at [knfilters.com](http://knfilters.com) ®

**Partial Listing - Complete List of Vehicles and Applications at [knfilters.com](http://knfilters.com)**

# HARLEY DAVIDSON AIR & OIL FILTERS

Vehicle	Engine Type	Air Filter	Oil Filter	Vehicle	Engine Type	Air Filter	Oil Filter
<b>2003 HARLEY DAVIDSON</b>				<b>2003 HARLEY DAVIDSON</b>			
FLHTCI Electra Glide Classic F/I	1432	HD-1499	KN-171C	FXSTBI Night Train F/I	1450	HD-1499	KN-171B
FLHTCSE Screamin Eagle Electra Glide	1690		KN-171B			HD-1499	KN-171C
			KN-171C	FXSTD Softail Deuce	1432	HD-1499	KN-171B
FLHTCUI Ultra Classic Electra Glide F/I	1432	HD-1499	KN-171B	FXSTDI Softail Deuce F/I	1432	HD-1499	KN-171C
		HD-1499	KN-171C			HD-1499	KN-171C
FLHTI Electra Glide Standard F/I	1432	HD-1499	KN-171B	FXSTDSE Screamin Eagle Softail Deuce	1550		KN-171B
		HD-1499	KN-171C				KN-171C
FLHTSEI Screamin Eagle Road King F/I	1690		KN-171B	FXSTI Softail Standard F/I	1432	HD-1499	KN-171B
			KN-171C			HD-1499	KN-171C
FLSTC Heritage Softail Classic	1450	HD-1499	KN-171B	FXSTS Springer Softail	1450	HD-1499	KN-171B
		HD-1499	KN-171C			HD-1499	KN-171C
FLSTCI Heritage Softail Classic F/I	1450	HD-1499	KN-171B	FXSTSI Springer Softail F/I	1450	HD-1499	KN-171B
		HD-1499	KN-171C			HD-1499	KN-171C
FLSTF Fat Boy	1432	HD-1499	KN-171B	VRSCA V-Rod	1131	HD-1102	KN-174C
		HD-1499	KN-171C	XL53C Sportster Custom	883		KN-170
FLSTF Fat Boy	1586		KN-171B				KN-170C
			KN-171C	XL883C Sportster Custom	871	HD-1388	KN-171B
FLSTFI Fat Boy F/I	1432	HD-1499	KN-171B			HD-1388	KN-171C
		HD-1499	KN-171C	XL883R Sportster	883	HD-1388	KN-170
FLSTS Heritage Springer	1432	HD-1499	KN-171B			HD-1388	KN-170C
		HD-1499	KN-171C	XL1200C Sportster Custom	1168	HD-1388	KN-170
FLSTSI Heritage Springer F/I	1432	HD-1499	KN-171B			HD-1388	KN-170C
		HD-1499	KN-171C	XL1200S Sportster Sport	1168	HD-1388	KN-170
FLTRI Road Glide F/I	1432	HD-1499	KN-171B			HD-1388	KN-170C
		HD-1499	KN-171C	XLH883 Sportster	883	HD-1388	KN-170
FXD Dyna Super Glide	1450	HD-1499	KN-171B			HD-1388	KN-170C
		HD-1499	KN-171C	XLH883 Sportster Custom	883		KN-170
FXDL Dyna Low Rider	1432	HD-1499	KN-171B				KN-170C
		HD-1499	KN-171C	XLH883 Sportster Hugger	871	HD-1388	KN-170
FXDWG Dyna Wide Glide	1450	HD-1499	KN-171B			HD-1388	KN-170C
		HD-1499	KN-171C	<b>2002 HARLEY DAVIDSON</b>			
FXDX Dyna Super Glide Sport	1450	HD-1499	KN-171B	FLHR Road King	1432	HD-1499	KN-171B
		HD-1499	KN-171C			HD-1499	KN-171C
FXDXT Dyna Super Glide T-Sport	1450	HD-1499	KN-171B	FLHRCI Road King Classic F/I	1432	HD-1499	KN-171B
		HD-1499	KN-171C			HD-1499	KN-171C
FXST Softail Standard	1432	HD-1499	KN-171B	FLHT Electra Glide Standard	1432	HD-1499	KN-171B
		HD-1499	KN-171C			HD-1499	KN-171C
FXSTB Night Train	1432	HD-1499	KN-171B	FLHTC Electra Glide Classic	1432	HD-1499	KN-171B
		HD-1499	KN-171C			HD-1499	KN-171C

\*Indicates 2 filters required    ♦ - Intake kit available    Applications updated daily at [knfilters.com](http://knfilters.com) ®

# AIR & OIL FILTERS HARLEY DAVIDSON

Vehicle	Engine Type	Air Filter	Oil Filter	Vehicle	Engine Type	Air Filter	Oil Filter
<b>2002 HARLEY DAVIDSON</b>				<b>2002 HARLEY DAVIDSON</b>			
FLHTCI Electra Glide Classic F/I	1432	HD-1499	KN-171B	FXSTI Softail Standard F/I	1432	HD-1499	KN-171B
		HD-1499	KN-171C			HD-1499	KN-171C
FLHTCUI Ultra Classic Electra Glide F/I	1432	HD-1499	KN-171B	FXSTS Springer Softail	1450	HD-1499	KN-171B
		HD-1499	KN-171C			HD-1499	KN-171C
FLSTC Heritage Softail Classic	1450	HD-1499	KN-171B	FXSTSI Springer Softail F/I	1450	HD-1499	KN-171B
		HD-1499	KN-171C			HD-1499	KN-171C
FLSTCI Heritage Softail Classic F/I	1450	HD-1499	KN-171B	VRSCA V-Rod XL53C Sportster Custom	1131 883	HD-1102	KN-174C KN-170
		HD-1499	KN-171C				KN-170C
FLSTF Fat Boy	1432	HD-1499	KN-171B	XL883R Sportster	883	HD-1388	KN-170
		HD-1499	KN-171C			HD-1388	KN-170C
FLSTFI Fat Boy F/I	1432	HD-1499	KN-171B	XL1200C Sportster Custom	1168	HD-1388	KN-170
		HD-1499	KN-171C			HD-1388	KN-170C
FLSTS Heritage Springer	1432	HD-1499	KN-171B	XL1200S Sportster Sport	1168	HD-1388	KN-170
		HD-1499	KN-171C			HD-1388	KN-170C
FLSTSI Heritage Springer F/I	1432	HD-1499	KN-171B	XLH883 Sportster	883	HD-1388	KN-170
		HD-1499	KN-171C			HD-1388	KN-170C
FLTR Road Glide	1432	HD-1499	KN-171B	XLH883 Sportster Custom	871	HD-1388	KN-170
		HD-1499	KN-171C			HD-1388	KN-170C
FLTRI Road Glide F/I	1432	HD-1499	KN-171B	XLH883 Sportster Hugger	871	HD-1388	KN-170
		HD-1499	KN-171C			HD-1388	KN-170C
FXD Dyna Super Glide	1450	HD-1499	KN-171B	XLH1200 Sportster	1200	HD-1388	KN-170
		HD-1499	KN-171C			HD-1388	KN-170C
FXDL Dyna Low Rider	1432	HD-1499	KN-171B	<b>2001 HARLEY DAVIDSON</b>			
		HD-1499	KN-171C	FLHR Road King	1432	HD-1499	KN-171B
FXDWG Dyna Wide Glide	1450	HD-1499	KN-171B			HD-1499	KN-171C
		HD-1499	KN-171C	FLHRCI Road King Classic F/I	1432	HD-8899	KN-171B
FXDX Dyna Super Glide Sport	1450	HD-1499	KN-171B			HD-8899	KN-171C
		HD-1499	KN-171C	FLHRI Electra Glide Road King F/I	1450	HD-8899	KN-171B
FXDXT Dyna Super Glide T-Sport	1450	HD-1499	KN-171B			HD-8899	KN-171C
		HD-1499	KN-171C	FLHT Electra Glide Standard	1432	HD-1499	KN-171B
FXST Softail Standard	1432	HD-1499	KN-171B			HD-1499	KN-171C
		HD-1499	KN-171C	FLHTC Electra Glide Classic	1432	HD-1499	KN-171B
FXSTB Night Train	1432	HD-1499	KN-171B			HD-1499	KN-171C
		HD-1499	KN-171C	FLHTCI Electra Glide Classic F/I	1432	HD-8899	KN-171B
FXSTBI Night Train F/I	1450	HD-1499	KN-171B			HD-8899	KN-171C
		HD-1499	KN-171C	FLHTCUI Ultra Classic Electra Glide F/I	1432	HD-8899	KN-171B
FXSTD Softail Deuce	1432	HD-1499	KN-171B			HD-8899	KN-171C
		HD-1499	KN-171C	FLSTC Heritage Softail Classic	1450	HD-1499	KN-171B
FXSTDI Softail Deuce F/I	1432	HD-1499	KN-171B				
		HD-1499	KN-171C				

\*Indicates 2 filters required      ♦ - Intake kit available      Applications updated daily at [knfilters.com](http://knfilters.com) ®

**Partial Listing - Complete List of Vehicles and Applications at [knfilters.com](http://knfilters.com)**

# HARLEY DAVIDSON AIR & OIL FILTERS

Vehicle	Engine Type	Air Filter	Oil Filter	Vehicle	Engine Type	Air Filter	Oil Filter
<b>2001 HARLEY DAVIDSON</b>				<b>2001 HARLEY DAVIDSON</b>			
FLSTC Heritage Softail Classic	1450	HD-1499	KN-171C	FXSTS Springer Softail	1450	HD-1499	KN-171C
FLSTCI Heritage Softail Classic F/I	1450	HD-8899	KN-171B	FXSTS1 Springer Softail F/I	1450	HD-1499	KN-171B
		HD-8899	KN-171C			HD-1499	KN-171C
FLSTF Fat Boy	1432	HD-1499	KN-171B	XL53C Sportster Custom	883		KN-170
		HD-1499	KN-171C				KN-170C
FLSTFI Fat Boy F/I	1432	HD-1499	KN-171B				
		HD-1499	KN-171C	XL1200C Sportster Custom	1168	HD-1388	KN-170
FLSTS Heritage Springer	1432	HD-1499	KN-171B			HD-1388	KN-170C
		HD-1499	KN-171C				
FLSTSI Heritage Springer F/I	1432	HD-1499	KN-171B	XL1200S Sportster Sport	1168	HD-1388	KN-170
		HD-1499	KN-171C			HD-1388	KN-170C
FLTR Road Glide	1432	HD-1499	KN-171B	XLH883 Sportster	883	HD-1388	KN-170
		HD-1499	KN-171C			HD-1388	KN-170C
FLTRI Road Glide F/I	1432	HD-8899	KN-171B	XLH883 Sportster Custom	871	HD-1388	KN-170
		HD-8899	KN-171C			HD-1388	KN-170C
FLTRSE12 Screamin Eagle Road Glide	1550	HD-0800	KN-171B				
		HD-0800	KN-171C	XLH883 Sportster Hugger	871	HD-1388	KN-170
						HD-1388	KN-170C
FXD Dyna Super Glide	1450	HD-1499	KN-171B				
		HD-1499	KN-171C	XLH1200 Sportster	1200	HD-1388	KN-170
						HD-1388	KN-170C
FXDL Dyna Low Rider	1432	HD-1499	KN-171B	<b>2000 HARLEY DAVIDSON</b>			
		HD-1499	KN-171C	FLHR Road King	1432	HD-1499	KN-171B
						HD-1499	KN-171C
FXDWG Dyna Wide Glide	1450	HD-1499	KN-171B	FLHRCI Road King Classic F/I	1432	HD-8899	KN-171B
		HD-1499	KN-171C			HD-8899	KN-171C
FXDWG3	1432	HD-1499	KN-171B	FLHRI Electra Glide Road King F/I	1450	HD-8899	KN-171B
		HD-1499	KN-171C			HD-8899	KN-171C
FXDX Dyna Super Glide Sport	1450	HD-1499	KN-171B	FLHT Electra Glide Standard	1432	HD-1499	KN-171B
		HD-1499	KN-171C			HD-1499	KN-171C
FXDXT Dyna Super Glide T-Sport	1450	HD-1499	KN-171B	FLHTC Electra Glide Classic	1432	HD-1499	KN-171B
		HD-1499	KN-171C			HD-1499	KN-171C
FXST Softail Standard	1432	HD-1499	KN-171B	FLHTCI Electra Glide Classic F/I	1432	HD-8899	KN-171B
		HD-1499	KN-171C			HD-8899	KN-171C
FXSTB Night Train	1432	HD-1499	KN-171B	FLHTCUI Ultra Classic Electra Glide F/I	1450	HD-8899	KN-171B
		HD-1499	KN-171C			HD-8899	KN-171C
FXSTBI Night Train F/I	1450	HD-1499	KN-171B				
		HD-1499	KN-171C	FLSTC Heritage Softail Classic	1450	HD-1499	KN-171B
						HD-1499	KN-171C
FXSTD Softail Deuce	1432	HD-1499	KN-171B	FLSTF Fat Boy	1432	HD-1499	KN-171B
		HD-1499	KN-171C			HD-1499	KN-171C
FXSTDI Softail Deuce F/I	1432	HD-1499	KN-171B	FLSTS Heritage Springer	1432	HD-1499	KN-171B
		HD-1499	KN-171C			HD-1499	KN-171C
FXSTI Softail Standard F/I	1432	HD-1499	KN-171B				
		HD-1499	KN-171C	FLTR Road Glide	1432	HD-1499	KN-171B
FXSTS Springer Softail	1450	HD-1499	KN-171B				

\*Indicates 2 filters required      ♦ - Intake kit available      Applications updated daily at [knfilters.com](http://knfilters.com) ®

# AIR & OIL FILTERS HARLEY DAVIDSON

Vehicle	Engine Type	Air Filter	Oil Filter	Vehicle	Engine Type	Air Filter	Oil Filter
<b>2000 HARLEY DAVIDSON</b>				<b>1999 HARLEY DAVIDSON</b>			
FLTR Road Glide	1432	HD-1499	KN-171C	FLHRCI Road King Classic F/I	1432	HD-8899	KN-171B
FLTRI Road Glide F/I	1432	HD-8899	KN-171B			HD-8899	KN-171C
		HD-8899	KN-171C				
FXD Dyna Super Glide	1450	HD-1499	KN-171B	FLHT Electra Glide Standard	1314		KN-170
		HD-1499	KN-171C				KN-170C
FXDL Dyna Low Rider	1432	HD-1499	KN-171B	FLHT Electra Glide Standard	1432	HD-1499	KN-171B
		HD-1499	KN-171C			HD-1499	KN-171C
FXDS Dyna Convertible	1450	HD-1499	KN-171B	FLHTC Electra Glide Classic	1450	HD-1499	KN-171B
		HD-1499	KN-171C			HD-1499	KN-171C
FXDWG Dyna Wide Glide	1450	HD-1499	KN-171B	FLHTCI Electra Glide Classic F/I	1450	HD-8899	KN-171B
		HD-1499	KN-171C			HD-8899	KN-171C
FXDWG2	1432	HD-1499	KN-171B	FLHTCUI Ultra Classic Electra Glide F/I	1450	HD-8899	KN-171B
		HD-1499	KN-171C			HD-8899	KN-171C
FXDX Dyna Super Glide Sport	1450	HD-1499	KN-171B			HD-8899	KN-171C
		HD-1499	KN-171C	FLSTC Heritage Softail Classic	1340	HD-1390	KN-170
FXST Softail Standard	1432	HD-1499	KN-171B			HD-1390	KN-170C
		HD-1499	KN-171C	FLSTC Softail - Non-US	1340	HD-1396	
FXSTB Night Train	1432	HD-1499	KN-171B	FLSTF Fat Boy	1314	HD-1390	KN-170
		HD-1499	KN-171C			HD-1390	KN-170C
FXSTD Softail Deuce	1432	HD-1499	KN-171B	FLSTF Softail - Non-US	1340	HD-1396	
		HD-1499	KN-171C	FLSTS Heritage Springer	1340	HD-1390	KN-170
FXSTS Springer Softail	1432	HD-1499	KN-171B			HD-1390	KN-170C
		HD-1499	KN-171C	FLSTS Softail - Non-US	1340	HD-1396	
XL53C Sportster Custom	883	HD-1388	KN-170	FLTR Road Glide	1432	HD-1499	KN-171B
		HD-1388	KN-170C			HD-1499	KN-171C
XL1200C Sportster Custom	1200	HD-1388	KN-170	FLTRI Road Glide F/I	1432	HD-8899	KN-171B
		HD-1388	KN-170C			HD-8899	KN-171C
XL1200S Sportster Sport	1168	HD-1388	KN-170	FXD Dyna Super Glide	1450	HD-1499	KN-171B
		HD-1388	KN-170C			HD-1499	KN-171C
XLH883 Sportster	883	HD-1388	KN-170	FXDL Dyna Low Rider	1432	HD-1499	KN-171B
		HD-1388	KN-170C			HD-1499	KN-171C
XLH883 Sportster Custom	883	HD-1388	KN-170	FXDS Dyna Convertible	1450	HD-1499	KN-171B
		HD-1388	KN-170C			HD-1499	KN-171C
XLH883 Sportster Hugger	871	HD-1388	KN-170	FXDWG Dyna Wide Glide	1450	HD-1499	KN-171B
		HD-1388	KN-170C			HD-1499	KN-171C
XLH883R Sportster Flat Track	883	HD-1388	KN-170	FXDX Dyna Super Glide Sport	1450	HD-1499	KN-171B
		HD-1388	KN-170C			HD-1499	KN-171C
XLH1200 Sportster	1200	HD-1388	KN-170	FXST Softail - Non-US	1340	HD-1396	
		HD-1388	KN-170C	FXST Softail Standard	1314	HD-1390	KN-171B
<b>1999 HARLEY DAVIDSON</b>							
FLHR Road King	1432	HD-1499	KN-171B				
		HD-1499	KN-171C				

\*Indicates 2 filters required    ♦ - Intake kit available    Applications updated daily at [knfilters.com](http://knfilters.com) ®

**Partial Listing - Complete List of Vehicles and Applications at [knfilters.com](http://knfilters.com)**

# HARLEY DAVIDSON AIR & OIL FILTERS

Vehicle	Engine Type	Air Filter	Oil Filter	Vehicle	Engine Type	Air Filter	Oil Filter
<b>1999 HARLEY DAVIDSON</b>				<b>1998 HARLEY DAVIDSON</b>			
FXST Softail Standard	1314	HD-1390	KN-171C	FLHTCUI Ultra Classic Electra Glide F/I	1340	HD-1395	KN-170C
FXSTB Night Train	1314	HD-1390	KN-170	FLSTC Heritage Softail Classic	1340	HD-1390	KN-170
FXSTB Softail - Non-US	1340	HD-1396		FLSTC Softail - Non-US	1340	HD-1396	
FXSTC Softail - Non-US	1340	HD-1396		FLSTF Fat Boy	1314	HD-1390	KN-170
FXSTC Softail Custom	1314	HD-1390	KN-170	FLSTF Softail - Non-US	1340	HD-1396	
FXSTS Softail - Non-US	1340	HD-1396		FLSTN Heritage Softail Special	1340	HD-1390	KN-170
FXSTS Springer Softail	1314	HD-1390	KN-170	FLSTS Heritage Springer	1340	HD-1390	KN-170
XL53C Sportster Custom	883		KN-170	FLSTS Softail - Non-US	1340	HD-1396	
XL1200C Sportster Custom	1200	HD-1388	KN-170	FLTR Road Glide	1340	HD-1390	KN-170
XL1200S Sportster Sport	1168	HD-1388	KN-170	FLTRI Road Glide F/I	1340	HD-1395	KN-170
XLH883 Sportster	883	HD-1388	KN-170	FXD Dyna - Non-US	1340	HD-1396	
XLH883 Sportster Custom	883	HD-1388	KN-170	FXD Dyna Super Glide	1340	HD-1390	KN-173C
XLH883 Sportster Hugger	871	HD-1388	KN-170	FXDL Dyna - Non-US	1340	HD-1396	
XLH1200 Sportster	1200	HD-1388	KN-170	FXDL Dyna Low Rider	1314	HD-1390	KN-173C
		HD-1388	KN-170C	FXDS Dyna - Non-US	1340	HD-1396	
				FXDS Dyna Convertible	1340	HD-1390	KN-173C
				FXDWG Dyna - Non-US	1340	HD-1396	
				FXDWG Dyna Wide Glide	1314	HD-1390	KN-173C
				FXSTC Softail - Non-US	1340	HD-1396	
				FXSTC Softail Custom	1340	HD-1390	KN-170
				FXSTS Softail - Non-US	1340	HD-1396	
				FXSTS Springer Softail	1314	HD-1390	KN-170
				XL1200C Sportster Custom	1200	HD-1388	KN-170
				XL1200S Sportster Sport	1200	HD-1388	KN-170
				XLH883 Sportster	871	HD-1388	KN-170
				XLH883 Sportster Hugger	883	HD-1388	KN-170
				XLH1200 Sportster	1168		KN-170
				XLH1200 Sportster	1200	HD-1388	KN-170C
<b>1998 HARLEY DAVIDSON</b>							
FLHR Road King	1314		KN-170				
FLHRI Electra Glide Road King F/I	1340	HD-1395	KN-170C	FXSTS Softail - Non-US	1340	HD-1396	
FLHT Electra Glide Standard	1314	HD-1390	KN-170	FXSTS Springer Softail	1314	HD-1390	KN-170
FLHT Touring - Non-US	1340	HD-1396		XL1200C Sportster Custom	1200	HD-1388	KN-170C
FLHTC Electra Glide Classic	1314	HD-1390	KN-170C	XL1200S Sportster Sport	1200	HD-1388	KN-170
FLHTC Touring - Non-US	1340	HD-1396		XLH883 Sportster	871	HD-1388	KN-170
FLHTCI Electra Glide Classic F/I	1340	HD-1395	KN-170	XLH883 Sportster Hugger	883	HD-1388	KN-170
FLHTC-U Touring - Non-US	1340	HD-1396		XLH1200 Sportster	1168		KN-170
FLHTCUI Ultra Classic Electra Glide F/I	1340	HD-1395	KN-170	XLH1200 Sportster	1200	HD-1388	KN-170C

\*Indicates 2 filters required    ♦ - Intake kit available    Applications updated daily at [knfilters.com](http://knfilters.com) ®

# AIR & OIL FILTERS HARLEY DAVIDSON

Vehicle	Engine Type	Air Filter	Oil Filter	Vehicle	Engine Type	Air Filter	Oil Filter
<b>1997 HARLEY DAVIDSON</b>				<b>1997 HARLEY DAVIDSON</b>			
FLHR Road King	1340		KN-170 KN-170C	FXSTC Softail Custom	1340	HD-1390	KN-170C
FLHR Touring - Non-US	1340	HD-1396		FXSTS Softail - Non-US	1340	HD-1396	
FLHRI Electra Glide Road King F/I	1340	HD-1395		FXSTS Springer Softail	1314	HD-1390	KN-170
FLHT Electra Glide Standard	1314	HD-1390	KN-170			HD-1390	KN-170C
		HD-1390	KN-170C	FXSTSB Bad Boy	1340	HD-1390	KN-170 KN-170C
FLHT Touring - Non-US	1340	HD-1396		FXSTSB Softail - Non-US	1340	HD-1396	
FLHTC Electra Glide Classic	1314	HD-1390	KN-170	XL1200C Sportster Custom	1200	HD-1388	KN-170
		HD-1390	KN-170C			HD-1388	KN-170C
FLHTC Touring - Non-US	1340	HD-1396		XL1200S Sportster Sport	1200	HD-1388	KN-170
FLHTCI Electra Glide Classic F/I	1340	HD-1395	KN-170			HD-1388	KN-170C
		HD-1395	KN-170C	XLH883 Sportster	871	HD-1388	KN-170 KN-170C
FLHTCU Electra Glide Ultra Classic	1340	HD-1390	KN-170	XLH883 Sportster Hugger	883	HD-1388	KN-170
		HD-1390	KN-170C			HD-1388	KN-170C
FLHTC-U Touring - Non-US	1340	HD-1396		XLH1200 Sportster	1168	HD-1388	KN-170 KN-170C
FLHTCUI Ultra Classic Electra Glide F/I	1340	HD-1395	KN-170			HD-1388	KN-170C
		HD-1395	KN-170C	<b>1996 HARLEY DAVIDSON</b>			
FLSTC Heritage Softail Classic	1340	HD-1390	KN-170	FLHR Road King	1314		KN-170 KN-170C
		HD-1390	KN-170C	FLHR Touring - Non-US	1340	HD-1396	
FLSTC Softail - Non-US	1340	HD-1396		FLHRI Electra Glide Road King F/I	1340	HD-1395	KN-171B KN-171C
FLSTF Fat Boy	1314	HD-1390	KN-170			HD-1395	KN-171C
		HD-1390	KN-170C	FLHT Electra Glide Standard	1314	HD-1390	KN-170
FLSTF Softail - Non-US	1340	HD-1396				HD-1390	KN-170C
FLSTN Heritage Softail Special	1340	HD-1390	KN-170	FLHT Touring - Non-US	1340	HD-1396	
		HD-1390	KN-170C	FLHTC Electra Glide Classic	1314	HD-1390	KN-170
FLSTS Heritage Springer	1340	HD-1390	KN-170			HD-1390	KN-170C
		HD-1390	KN-170C	FLHTC Touring - Non-US	1340	HD-1396	
FLSTS Softail - Non-US	1340	HD-1396		FLHTCI Electra Glide Classic F/I	1340	HD-1395	KN-170
FXD Dyna - Non-US	1340	HD-1396				HD-1395	KN-170C
FXD Dyna Super Glide	1340	HD-1390	KN-173C	FLHTCU Electra Glide Ultra Classic	1340	HD-1390	KN-170
FXDL Dyna - Non-US	1340	HD-1396				HD-1390	KN-170C
FXDL Dyna Low Rider	1314	HD-1390	KN-173C	FLHTC-U Touring - Non-US	1340	HD-1396	
FXDS Dyna - Non-US	1340	HD-1396		FLHTCUI Ultra Classic Electra Glide F/I	1340	HD-1395	KN-170
FXDS Dyna Convertible	1340	HD-1390	KN-173C			HD-1395	KN-170C
FXDWG Dyna - Non-US	1340	HD-1396		FLSTC Heritage Softail Classic	1340	HD-1390	KN-170
FXDWG Dyna Wide Glide	1314	HD-1390	KN-173C			HD-1390	KN-170C
FXSTC Softail - Non-US	1340	HD-1396					
FXSTC Softail Custom	1340	HD-1390	KN-170				

\*Indicates 2 filters required    ♦ - Intake kit available    Applications updated daily at [knfilters.com](http://knfilters.com) ®

**Partial Listing - Complete List of Vehicles and Applications at [knfilters.com](http://knfilters.com)**

# HARLEY DAVIDSON AIR & OIL FILTERS

Vehicle	Engine Type	Air Filter	Oil Filter	Vehicle	Engine Type	Air Filter	Oil Filter
<b>1996 HARLEY DAVIDSON</b>				<b>1995 HARLEY DAVIDSON</b>			
FLSTC Softail - Non-US	1340	HD-1396		FLHTC Electra Glide Classic	1314	HD-1390	KN-170C
FLSTF Fat Boy	1314	HD-1390	KN-170	FLHTC Touring - Non-US	1340	HD-1396	
		HD-1390	KN-170C	FLHTCI Ultra Classic Electra Glide Annv.	1340	HD-1395	
FLSTF Softail - Non-US	1340	HD-1396		FLHTCU Electra Glide Ultra Classic	1340	HD-1390	KN-170
FLSTN Heritage Softail Special	1340	HD-1390	KN-170			HD-1390	KN-170C
		HD-1390	KN-170C	FLHTC-U Touring - Non-US	1340	HD-1396	
FLSTN Softail - Non-US	1340	HD-1396		FLHTCUI Ultra Classic Electra Glide F/I	1340		KN-170
FLTCUI Ultra Tour Glide Classic F/I	1340	HD-1395					KN-170C
FXD Dyna - Non-US	1340	HD-1396		FLSTC Heritage Softail Classic	1340	HD-1390	KN-170
FXD Dyna Super Glide	1340	HD-1390	KN-173C			HD-1390	KN-170C
FXDL Dyna - Non-US	1340	HD-1396		FLSTC Softail - Non-US	1340	HD-1396	
FXDL Dyna Low Rider	1314	HD-1390	KN-173C	FLSTF Fat Boy	1314	HD-1390	KN-170
FXDS Dyna - Non-US	1340	HD-1396				HD-1390	KN-170C
FXDS Dyna Convertible	1340	HD-1390	KN-173C	FLSTF Softail - Non-US	1340	HD-1396	
FXDWG Dyna - Non-US	1340	HD-1396		FLSTN Heritage Softail Nostalgia	1340	HD-1390	
FXDWG Dyna Wide Glide	1314	HD-1390	KN-173C	FLSTN Heritage Softail Special	1340		KN-170
FXSTC Softail - Non-US	1340	HD-1396					KN-170C
FXSTC Softail Custom	1340	HD-1390	KN-170	FLSTN Softail - Non-US	1340	HD-1396	
		HD-1390	KN-170C	FLTCU Ultra Tour Glide Classic	1340	HD-1390	KN-170
FXSTS Softail - Non-US	1340	HD-1396				HD-1390	KN-170C
FXSTS Springer Softail	1314	HD-1390	KN-170	FXD Dyna - Non-US	1340	HD-1396	
		HD-1390	KN-170C	FXD Dyna Super Glide	1340	HD-1390	
FXSTSB Bad Boy	1340	HD-1390	KN-170	FXDL Dyna - Non-US	1340	HD-1396	
		HD-1390	KN-170C	FXDL Dyna Low Rider	1314	HD-1390	KN-173C
FXSTSB Softail - Non-US	1340	HD-1396		FXDS Dyna - Non-US	1340	HD-1396	
XL1200C Sportster Custom	1200	HD-1388	KN-170	FXDS Dyna Low Rider Conv.	1314	HD-1390	
		HD-1388	KN-170C	FXDWG Dyna - Non-US	1340	HD-1396	
XL1200S Sportster Sport	1200	HD-1388	KN-170	FXSTC Softail - Non-US	1340	HD-1396	
		HD-1388	KN-170C	FXSTC Softail Custom	1340	HD-1390	KN-170
XLH883 Sportster	871	HD-1388	KN-170			HD-1390	KN-170C
		HD-1388	KN-170C	FXSTS Softail - Non-US	1340	HD-1396	
XLH883 Sportster Hugger	883	HD-1388	KN-170	FXSTS Springer Softail	1314	HD-1390	KN-170
		HD-1388	KN-170C			HD-1390	KN-170C
XLH1200 Sportster	1168	HD-1388	KN-170	FXSTSB Bad Boy	1340	HD-1390	KN-170
		HD-1388	KN-170C			HD-1390	KN-170C
<b>1995 HARLEY DAVIDSON</b>				FXSTSB Softail - Non-US	1340	HD-1396	
FLHR Touring - Non-US	1340	HD-1396		XLH883 Sportster	871	HD-1388	KN-170
FLHT Electra Glide Standard	1314	HD-1390	KN-170			HD-1388	KN-170C
		HD-1390	KN-170C	XLH883 Sportster Deluxe	883	HD-1388	KN-170
FLHT Touring - Non-US	1340	HD-1396					
FLHTC Electra Glide Classic	1314	HD-1390	KN-170				

\*Indicates 2 filters required

◆ - Intake kit available

Applications updated daily at [knfilters.com](http://knfilters.com) ®



# AIR & OIL FILTERS HARLEY DAVIDSON

Vehicle	Engine Type	Air Filter	Oil Filter	Vehicle	Engine Type	Air Filter	Oil Filter
<b>1995 HARLEY DAVIDSON</b>				<b>1994 HARLEY DAVIDSON</b>			
XLH883 Sportster Deluxe	883	HD-1388	KN-170C	XLH883 Sportster Hugger	883	HD-1388	KN-170C
XLH883 Sportster Hugger	883	HD-1388	KN-170	XLH1200 Sportster	1168	HD-1388	KN-170
		HD-1388	KN-170C			HD-1388	KN-170C
XLH1200 Sportster	1168	HD-1388	KN-170	<b>1993 HARLEY DAVIDSON</b>			
		HD-1388	KN-170C	FLHS Electra Glide Sport	1340	HD-1390	KN-171B
<b>1994 HARLEY DAVIDSON</b>						HD-1390	KN-171C
FLHTC Electra Glide Classic	1314	HD-1390	KN-170	FLHTC Classic Anniversary	1340	HD-1390	
		HD-1390	KN-170C	FLHTCU Electra Glide Ultra Classic	1340	HD-1390	KN-170
FLHTCU Electra Glide Ultra Classic	1340	HD-1390	KN-170			HD-1390	KN-170C
		HD-1390	KN-170C	FLHTCU Electra Glide Ultra Classic Annv.	1340	HD-1390	KN-170
FLHTCUI Ultra Classic Electra Glide F/I	1340		KN-170			HD-1390	KN-170C
			KN-170C	FLHTCUI Ultra Classic Electra Glide F/I	1340		KN-170
FLSTC Heritage Softail Classic	1340	HD-1390	KN-170				KN-170C
		HD-1390	KN-170C	FLSTC Heritage Softail Classic	1340	HD-1390	KN-170
FLSTF Fat Boy	1314	HD-1390	KN-170			HD-1390	KN-170C
		HD-1390	KN-170C	FLSTF Fat Boy	1314	HD-1390	KN-170
FLSTN Heritage Softail Nostalgia	1340	HD-1390				HD-1390	KN-170C
FLSTN Heritage Softail Special	1340		KN-170	FLSTN Heritage Softail Nostalgia	1340	HD-1390	KN-170
			KN-170C	FLTCU Ultra Tour Glide Classic	1340	HD-1390	KN-170
FLTCU Ultra Tour Glide Classic	1340	HD-1390	KN-170			HD-1390	KN-170C
		HD-1390	KN-170C	FXDL Dyna Low Rider	1314	HD-1390	KN-173C
FXDL Dyna Low Rider	1314	HD-1390	KN-173C	FXDL Dyna Low Rider	1314	HD-1390	KN-173C
FXDS Dyna Low Rider Conv.	1314	HD-1390		FXDWG Dyna Wide Glide	1314	HD-1390	KN-173C
FXLR Low Rider Custom	1340	HD-1390	KN-170	FXDWG Dyna Wide Glide Annv.	1314	HD-1390	
		HD-1390	KN-170C	FXLR Low Rider Custom	1340	HD-1390	KN-170
FXRS Low Rider	1340		KN-170			HD-1390	KN-170C
			KN-170C	FXLR Low Rider Custom Annv.	1340	HD-1390	KN-170
FXRS Low Rider Conv.	1340		KN-170			HD-1390	KN-170C
			KN-170C	FXR Super Glide	1314	HD-1390	KN-170
FXSTC Softail Custom	1340	HD-1390	KN-170			HD-1390	KN-170C
		HD-1390	KN-170C	FXRS Low Rider	1340		KN-170
FXSTS Springer Softail	1314	HD-1390	KN-170				KN-170C
		HD-1390	KN-170C	FXRS Low Rider Conv.	1340	HD-1390	KN-170
XLH883 Sportster	871	HD-1388	KN-170			HD-1390	KN-170C
		HD-1388	KN-170C	FXRS-SP Low Rider Sport	1340	HD-1390	KN-171B
XLH883 Sportster Deluxe	883	HD-1388	KN-170			HD-1390	KN-171C
		HD-1388	KN-170C	FXSTC Softail Custom	1340	HD-1390	KN-170
XLH883 Sportster Hugger	883	HD-1388	KN-170			HD-1390	KN-170C

\*Indicates 2 filters required    ♦ - Intake kit available    Applications updated daily at [knfilters.com](http://knfilters.com) ®

**Partial Listing - Complete List of Vehicles and Applications at [knfilters.com](http://knfilters.com)**

# HARLEY DAVIDSON AIR & OIL FILTERS

Vehicle	Engine Type	Air Filter	Oil Filter	Vehicle	Engine Type	Air Filter	Oil Filter
<b>1993 HARLEY DAVIDSON</b>				<b>1992 HARLEY DAVIDSON</b>			
FXSTS Springer Softail	1314	HD-1390	KN-170	FXRS-SP Low Rider Sport	1340	HD-1390	KN-171C
		HD-1390	KN-170C	FXRT Sport Glide	1340	HD-1390	
XLH Sportster Annv.	1200	HD-1388	KN-170	FXSTC Softail Custom	1340	HD-1390	KN-170
		HD-1388	KN-170C			HD-1390	KN-170C
XLH883 Sportster	871	HD-1388	KN-170	FXSTS Springer Softail	1314	HD-1390	KN-170
		HD-1388	KN-170C			HD-1390	KN-170C
XLH883 Sportster Deluxe	883	HD-1388	KN-170	XLH883 Sportster	871	HD-1388	KN-170
		HD-1388	KN-170C			HD-1388	KN-170C
XLH883 Sportster Hugger	883	HD-1388	KN-170	XLH883 Sportster Deluxe	883	HD-1388	KN-170
		HD-1388	KN-170C			HD-1388	KN-170C
XLH1200 Sportster	1168	HD-1388	KN-170	XLH883 Sportster Hugger	883	HD-1388	KN-170
		HD-1388	KN-170C			HD-1388	KN-170C
<b>1992 HARLEY DAVIDSON</b>				<b>1991 HARLEY DAVIDSON</b>			
FLHS Electra Glide Sport	1340	HD-1390	KN-171B	FLHS Electra Glide Sport	1340	HD-1390	KN-171B
		HD-1390	KN-171C			HD-1390	KN-171C
FLHTC Electra Glide Classic	1314	HD-1390	KN-170	FLHTC Electra Glide Classic	1314	HD-1390	KN-170
		HD-1390	KN-170C			HD-1390	KN-170C
FLHTCU Electra Glide Ultra Classic	1340	HD-1390	KN-170	FLHTCU Electra Glide Ultra Classic	1340	HD-1390	KN-170
		HD-1390	KN-170C			HD-1390	KN-170C
FLHTCUI Ultra Classic Electra Glide F/I	1340		KN-170	FLHTCUI Ultra Classic Electra Glide F/I	1340		KN-170
			KN-170C				KN-170C
FLSTC Heritage Softail Classic	1340	HD-1390	KN-170	FLSTC Heritage Softail Classic	1340	HD-1390	KN-170
		HD-1390	KN-170C			HD-1390	KN-170C
FLSTF Fat Boy	1314	HD-1390	KN-170	FLSTF Fat Boy	1314	HD-1390	KN-170
		HD-1390	KN-170C			HD-1390	KN-170C
FLTC Tour Glide Classic	1314		KN-170	FLTC Tour Glide Classic	1314	HD-1390	KN-170
			KN-170C			HD-1390	KN-170C
FLTCU Ultra Tour Glide Classic	1340	HD-1390	KN-170	FLTCU Ultra Tour Glide Classic	1340	HD-1390	KN-170
		HD-1390	KN-170C			HD-1390	KN-170C
FXDB Dyna Glide Daytona	1340	HD-1390	KN-173C	FXDB Dyna Glide Daytona	1340	HD-1390	KN-173C
FXDC Dyna Glide Custom	1340	HD-1390	KN-173C	FXDC Dyna Glide Custom	1340	HD-1390	KN-170C
FXLR Low Rider Custom	1340	HD-1390	KN-170	FXLR Low Rider Custom	1340	HD-1390	KN-170
		HD-1390	KN-170C			HD-1390	KN-170C
FXR Super Glide	1314	HD-1390	KN-170	FXR Super Glide	1314	HD-1390	KN-170
		HD-1390	KN-170C			HD-1390	KN-170C
FXRS Low Rider	1340	HD-1390	KN-170	FXRS Low Rider	1340	HD-1390	KN-170
		HD-1390	KN-170C			HD-1390	KN-170C
FXRS Low Rider Conv.	1340	HD-1390	KN-170	FXRS Low Rider Conv.	1340	HD-1390	KN-170
		HD-1390	KN-170C			HD-1390	KN-170C
FXRS-SP Low Rider Sport	1340	HD-1390	KN-171B	FXRS-SP Low Rider Sport	1340	HD-1390	KN-170C

\*Indicates 2 filters required

◆ - Intake kit available

Applications updated daily at [knfilters.com](http://knfilters.com) ®

# AIR & OIL FILTERS HARLEY DAVIDSON

Vehicle	Engine Type	Air Filter	Oil Filter	Vehicle	Engine Type	Air Filter	Oil Filter
<b>1991 HARLEY DAVIDSON</b>				<b>1990 HARLEY DAVIDSON</b>			
FXRS-SP Low Rider Sport	1340	HD-1390	KN-171B	FXRS Low Rider Conv.	1340	HD-1390	KN-170C
		HD-1390	KN-171C	FXRS-SP Low Rider Sport	1340	HD-1390	KN-171B
FXRT Sport Glide	1340	HD-1390				HD-1390	KN-171C
FXSTC Softail Custom	1340	HD-1390	KN-170	FXRT Sport Glide	1340	HD-1390	
		HD-1390	KN-170C	FXST Softail	1314	HD-1390	KN-170
FXSTS Springer Softail	1314	HD-1390	KN-170			HD-1390	KN-170C
		HD-1390	KN-170C	FXSTC Softail Custom	1340	HD-1390	KN-170
XLH883 Sportster	871	HD-1388	KN-170			HD-1390	KN-170C
		HD-1388	KN-170C	FXSTS Springer Softail	1314	HD-1390	KN-170
XLH883 Sportster Deluxe	883	HD-1388	KN-170			HD-1390	KN-170C
		HD-1388	KN-170C	XLH883 Sportster	871	HD-1388	KN-170
XLH883 Sportster Hugger	883	HD-1388	KN-170			HD-1388	KN-170C
		HD-1388	KN-170C	XLH883 Sportster Deluxe	883	HD-1388	KN-170
XLH1200 Sportster	1168	HD-1388	KN-170			HD-1388	KN-170C
		HD-1388	KN-170C	XLH883 Sportster Hugger	883	HD-1388	KN-170
<b>1990 HARLEY DAVIDSON</b>						HD-1388	KN-170C
FLHS Electra Glide Sport	1340	HD-1390	KN-171B	XLH1200 Sportster	1168	HD-1388	KN-170
		HD-1390	KN-171C			HD-1388	KN-170C
FLHTCU Electra Glide Ultra Classic	1340	HD-1390	KN-170	<b>1989 HARLEY DAVIDSON</b>			
		HD-1390	KN-170C	FLHS Electra Glide Sport	1340	HD-2086	KN-171B
FLHTCUI Ultra Classic Electra Glide F/I	1340		KN-170			HD-2086	KN-171C
		KN-170C		FLHT Electra Glide	1314		KN-170
FLST Heritage Softail	1340	HD-1390	KN-170				KN-170C
		HD-1390	KN-170C	FLHTCU Electra Glide Ultra Classic	1340	HD-2086	KN-170
FLSTC Heritage Softail Classic	1340	HD-1390	KN-170			HD-2086	KN-170C
		HD-1390	KN-170C	FLHTCUI Ultra Classic Electra Glide F/I	1340		KN-170
FLSTF Fat Boy	1314	HD-1390	KN-170				KN-170C
		HD-1390	KN-170C	FLST Heritage Softail	1340	HD-2086	KN-170
FLT	1340		KN-170			HD-2086	KN-170C
			KN-170C	FLSTC Heritage Softail Classic	1340	HD-2086	KN-170
FLTC Tour Glide Classic	1314	HD-1390	KN-170			HD-2086	KN-170C
		HD-1390	KN-170C	FLSTF Fat Boy	1314		KN-170
FLTCU Ultra Tour Glide Classic	1340	HD-1390	KN-170				KN-170C
		HD-1390	KN-170C	FLT	1340		KN-170
FXLR Low Rider Custom	1340	HD-1390	KN-170				KN-170C
		HD-1390	KN-170C	FLTC Tour Glide Classic	1314	HD-2086	KN-170
FXR Super Glide	1314	HD-1390	KN-170			HD-2086	KN-170C
		HD-1390	KN-170C	FLTCU Ultra Tour Glide Classic	1340	HD-2086	KN-170
FXRS Low Rider	1340	HD-1390	KN-170			HD-2086	KN-170C
		HD-1390	KN-170C	FXLR Low Rider Custom	1340	HD-2086	KN-170
FXRS Low Rider Conv.	1340	HD-1390	KN-170			HD-2086	KN-170C
				FXR Super Glide	1314	HD-2086	KN-170

\*Indicates 2 filters required    ♦ - Intake kit available    Applications updated daily at [knfilters.com](http://knfilters.com) ®

**Partial Listing - Complete List of Vehicles and Applications at [knfilters.com](http://knfilters.com)**

# HARLEY DAVIDSON AIR & OIL FILTERS

Vehicle	Engine Type	Air Filter	Oil Filter	Vehicle	Engine Type	Air Filter	Oil Filter
<b>1989 HARLEY DAVIDSON</b>				<b>1988 HARLEY DAVIDSON</b>			
FXR Super Glide	1314	HD-2086	KN-170C	FLTCU Ultra Tour Glide Classic	1340		KN-170C
FXRS Low Rider	1340	HD-2086	KN-170	FXLR Low Rider Custom	1340	HD-2086	KN-170
FXRS Low Rider Conv.	1340	HD-2086	KN-170C			HD-2086	KN-170C
		HD-2086	KN-170C	FXR Super Glide	1314	HD-2086	KN-170
FXRS-SP Low Rider Sport	1340	HD-2086	KN-171B			HD-2086	KN-170C
		HD-2086	KN-171C	FXRS Low Rider	1340	HD-2086	KN-170
FXRT Sport Glide	1340	HD-2086	KN-170			HD-2086	KN-170C
		HD-2086	KN-170C	FXRS Low Rider Sport	1340	HD-2086	KN-171B
FXST Softail	1314	HD-2086	KN-170			HD-2086	KN-171C
		HD-2086	KN-170C	FXRT Sport Glide	1340	HD-2086	KN-170
FXSTC Softail Custom	1340	HD-2086	KN-170			HD-2086	KN-170C
		HD-2086	KN-170C	FXST Softail	1314	HD-2086	KN-170
FXSTS Springer Softail	1314	HD-2086	KN-170			HD-2086	KN-170C
		HD-2086	KN-170C	FXSTC Softail Custom	1340	HD-2086	KN-170
XLH883 Sportster	871	HD-1388	KN-170			HD-2086	KN-170C
		HD-1388	KN-170C	FXSTS Springer Softail	1314	HD-2086	KN-170
XLH883 Sportster Deluxe	883	HD-1388	KN-170			HD-2086	KN-170C
		HD-1388	KN-170C	XLH883 Sportster	871	HD-1388	KN-170
XLH883 Sportster Hugger	883	HD-1388	KN-170			HD-1388	KN-170C
		HD-1388	KN-170C	XLH883 Sportster Deluxe	883	HD-1388	KN-170
XLH1200 Sportster	1168	HD-1388	KN-170			HD-1388	KN-170C
		HD-1388	KN-170C	XLH883 Sportster Hugger	883	HD-1388	KN-170
						HD-1388	KN-170C
<b>1988 HARLEY DAVIDSON</b>				<b>1987 HARLEY DAVIDSON</b>			
FLHS Electra Glide Sport	1340	HD-2086	KN-171B	XLH1100 Sportster	1100		KN-170
		HD-2086	KN-171C				KN-170C
FLHT Electra Glide	1314		KN-170	XLH1200 Sportster	1168	HD-1388	KN-170
			KN-170C			HD-1388	KN-170C
FLHTC Chrome	1340	HD-2086		<b>1987 HARLEY DAVIDSON</b>			
FLHTCU Electra Glide Ultra Classic	1340		KN-170	FLHS Electra Glide Sport	1340	HD-2086	KN-171B
			KN-170C			HD-2086	KN-171C
FLHTCUI Ultra Classic Electra Glide F/I	1340		KN-170	FLHT Electra Glide	1314	HD-2086	KN-170
			KN-170C			HD-2086	KN-170C
FLST Heritage Softail	1340	HD-2086	KN-170	FLHTCU Electra Glide Ultra Classic	1340		KN-170
		HD-2086	KN-170C				KN-170C
FLSTC Heritage Softail Classic	1340	HD-2086	KN-170	FLHTCUI Ultra Classic Electra Glide F/I	1340		KN-170
		HD-2086	KN-170C				KN-170C
FLT	1340		KN-170	FLST Heritage Softail	1340	HD-2086	KN-170
			KN-170C			HD-2086	KN-170C
FLTC Chrome	1340	HD-2086	KN-171B	FLSTC Heritage Softail Classic	1340		KN-170
		HD-2086	KN-171C				KN-170C
FLTC Tour Glide Classic	1314	HD-2086	KN-170	FLT	1340		KN-170
		HD-2086	KN-170C				KN-170C
FLTCU Ultra Tour Glide Classic	1340		KN-170	FLTC Chrome TT	1340	HD-2086	KN-171B
						HD-2086	KN-171C
				FLTC Tour Glide Classic	1314	HD-2086	KN-170

\*Indicates 2 filters required

◆ - Intake kit available

Applications updated daily at [knfilters.com](http://knfilters.com) ®

# AIR & OIL FILTERS HARLEY DAVIDSON

Vehicle	Engine Type	Air Filter	Oil Filter	Vehicle	Engine Type	Air Filter	Oil Filter
<b>1987 HARLEY DAVIDSON</b>				<b>1986 HARLEY DAVIDSON</b>			
FLTC Tour Glide Classic	1314	HD-2086	KN-170C	FXRS Low Rider Sport	1340	HD-2086	
FLTCU Ultra Tour Glide Classic	1340		KN-170C	FXRT Sport Glide	1340	HD-2086	KN-170C
			KN-170C	FXST Softail	1314	HD-2086	KN-170C
FXLR Low Rider Custom	1340	HD-2086	KN-170C	FXSTC Softail Custom	1340	HD-2086	KN-170C
		HD-2086	KN-170C			HD-2086	KN-170C
FXR Super Glide	1314	HD-2086	KN-170C	FXWG Wide Glide	1340	HD-2086	KN-172C
		HD-2086	KN-170C	XLH883 Sportster	871	HD-2085	KN-170C
FXRC Low Glide Custom	1340	HD-2086	KN-170C			HD-2085	KN-170C
		HD-2086	KN-170C	XLH883 Sportster Deluxe	883	HD-2085	KN-170C
FXRS Low Rider	1340	HD-2086	KN-170C			HD-2085	KN-170C
		HD-2086	KN-170C	XLH1100 Sportster	1100	HD-2085	KN-170C
FXRS Low Rider Sport	1340	HD-2086	KN-171B			HD-2085	KN-170C
		HD-2086	KN-171C	XLH1100 Sportster Liberty	1100	HD-2085	KN-170C
FXRT Sport Glide	1340	HD-2086	KN-170C			HD-2085	KN-170C
		HD-2086	KN-170C	<b>1985 HARLEY DAVIDSON</b>			
FXST Softail	1314	HD-2086	KN-170C	FLHT Electra Glide	1314		KN-170C
		HD-2086	KN-170C				KN-170C
FXSTC Softail Custom	1340	HD-2086	KN-170C	FLHTC Electra Glide Classic	1314 - Non-US	HD-2084	KN-170C
		HD-2086	KN-170C			HD-2084	KN-170C
FXSTS Springer Softail	1314		KN-170C	FLHTC Electra Glide Classic	1314 - US		KN-171B
			KN-170C				KN-171C
XLH883 Sportster	871	HD-2085	KN-170C	FLSTC Heritage Softail Classic	1340		KN-170C
		HD-2085	KN-170C				KN-170C
XLH883 Sportster Deluxe	883	HD-2085	KN-170C	FLT	1340		KN-170C
		HD-2085	KN-170C				KN-170C
XLH883 Sportster Hugger F/I	883	HD-2085	KN-170C	FLTC Tour Glide Classic	1314	HD-2084	KN-170C
		HD-2085	KN-170C			HD-2084	KN-170C
XLH1100 Sportster	1100	HD-2085	KN-170C	FXEF Super Glide Fat Bob	1340	HD-2084	KN-172C
		HD-2085	KN-170C	FXR Super Glide	1314		KN-170C
<b>1986 HARLEY DAVIDSON</b>							KN-170C
FLHT Electra Glide	1314	HD-2086	KN-170C	FXRC Low Glide Custom	1340	HD-2084	
		HD-2086	KN-170C				
FLSTC Heritage Softail Classic	1340		KN-170C	FXRS Low Glide	1340	HD-2084	
			KN-170C	FXRT Sport Glide	1340	HD-2084	KN-170C
FLT	1340		KN-170C			HD-2084	KN-170C
			KN-170C	FXSB Low Rider	1340	HD-2084	
FLTC Tour Glide Classic	1314	HD-2086	KN-170C	FXST Softail	1314	HD-2084	KN-170C
		HD-2086	KN-170C			HD-2084	KN-170C
FXR Super Glide	1314	HD-2086	KN-170C	FXWG Wide Glide	1340	HD-2084	KN-172C
		HD-2086	KN-170C	XL1000 Sportster	1000 - from late 1984		KN-170C
FXRC Low Glide Custom	1340	HD-2086	KN-170C				KN-170C
FXRD GT	1340	HD-2086	KN-170C	XLH1000 Sportster	1000	HD-2076	KN-171B
		HD-2086	KN-170C			HD-2076	KN-171C
FXRS Low Rider	1340	HD-2086	KN-170C	XLS1000 Roadster	1000 - from late 1984		KN-170C
FXRS Low Rider Liberty	1340	HD-2086	KN-170C	XLX61 Sportster	1000 - from late 1984		KN-170C
		HD-2086	KN-170C				KN-170C
				XR1000 Cafe Racer	1000 - Req's both filters	RU-1370	

\*Indicates 2 filters required      ♦ - Intake kit available      Applications updated daily at [knfilters.com](http://knfilters.com) ®

**Partial Listing - Complete List of Vehicles and Applications at [knfilters.com](http://knfilters.com)**

# HARLEY DAVIDSON AIR & OIL FILTERS

Vehicle	Engine Type	Air Filter	Oil Filter	Vehicle	Engine Type	Air Filter	Oil Filter
<b>1985 HARLEY DAVIDSON</b>				<b>1983 HARLEY DAVIDSON</b>			
XR1000 Cafe Racer	1000 - Req's both filters	RU-1371		FLTC Tour Glide Classic	1340	HD-2078	KN-170C
<b>1984 HARLEY DAVIDSON</b>				FXE Super Glide	1340	HD-2078	KN-172C
FLH Electra Glide Special	1340	HD-2084		FXR Super Glide II	1340	HD-2078	KN-170
FLH80 Electra Glide	1340	HD-2084	KN-172C			HD-2078	KN-170C
FLHS	1340	HD-2084	KN-172C	FXRT Sport Glide	1340	HD-2078	KN-170
FLHT Electra Glide	1314 - from late 1984		KN-170			HD-2078	KN-170C
			KN-170C	FXSB Low Rider	1340	HD-2078	
FLHTC Electra Glide Classic	1314		KN-170C	FXWG Wide Glide	1340	HD-2078	KN-172C
			KN-170C	XLH883	883		KN-172C
FLSTC Heritage Softail Classic	1340		KN-170	XLH1000 Sportster	1000	HD-2076	
			KN-170C	XLH1100 Sportster	1100		KN-172C
FLT	1340		KN-170	XLH1200 Sportster	1200		KN-172C
			KN-170C	XLS1000 Roadster	1000		KN-172C
FLTC Tour Glide Classic	1314	HD-2084	KN-170	XR1000 Cafe Racer	1000 - Req's both filters	RU-1370	
		HD-2084	KN-170C			RU-1371	
FXE Super Glide	1340	HD-2084	KN-172C	<b>1982 HARLEY DAVIDSON</b>			
FXEF Super Glide Fat Bob	1340	HD-2084	KN-172C	FLH80 Electra Glide	1340	HD-2078	KN-172C
FXR Super Glide	1314		KN-170	FLHC Electra Glide Classic	1340	HD-2078	KN-172C
			KN-170C	FLHS Sport Glide	1340	HD-2078	KN-172C
FXRDG Disc Glide	1340	HD-2084		FLHTCU Electra Glide Ultra Classic	1340		KN-170
FXRS Low Glide	1340	HD-2084					KN-170C
FXRT Sport Glide	1340	HD-2084	KN-170	FLSTC Heritage Softail Classic	1340		KN-170
		HD-2084	KN-170C				KN-170C
FXSB Low Rider	1340	HD-2084		FLT	1340		KN-170
FXST Softail	1314	HD-2084	KN-170				KN-170C
		HD-2084	KN-170C	FLT80 Tour Glide	1289	HD-2078	KN-171B
FXWG Wide Glide	1340	HD-2084	KN-172C			HD-2078	KN-171C
XL1000 Sportster	1000 - from late 1984		KN-170	FLTC Tour Glide Classic	1340	HD-2078	KN-170
			KN-170C			HD-2078	KN-170C
XLH883	883		KN-172C	FXB Sturgis	1340	HD-2078	KN-173C
XLH1000 Sportster	1000	HD-2076		FXE Super Glide	1340	HD-2078	KN-172C
XLH1100 Sportster	1100 - to early 1984		KN-172C	FXR Super Glide II	1340	HD-2078	KN-170
XLH1200 Sportster	1168 - to early 1984		KN-172C			HD-2078	KN-170C
XLS1000 Roadster	1000 - from late 1984		KN-170	FXRS Low Glide	1340		KN-170
			KN-170C				KN-170C
XLX61 Sportster	1000 - from late 1984		KN-172C	FXRS Super Glide II	1340	HD-2078	
			KN-170	FXS Low Rider	1340	HD-2078	
XR1000 Cafe Racer	1000 - Req's both filters	RU-1370	KN-170C	FXWG Wide Glide	1340	HD-2078	KN-172C
		RU-1371		XLH883	883		KN-172C
				XLH1000 Sportster	1000	HD-2078	
<b>1983 HARLEY DAVIDSON</b>				XLH1100 Sportster	1100		KN-172C
FLH80 Electra Glide	1340	HD-2078	KN-172C	XLH1200 Sportster	1200		KN-172C
FLHS Super Glide	1340	HD-2078	KN-172C	XLS1000 Roadster	1000		KN-172C
FLHT Electra Glide	1340	HD-2078		<b>1981 HARLEY DAVIDSON</b>			
FLHTC Electra Glide Classic	1340	HD-2078		FLH80 Electra Glide	1340	HD-2078	
FLSTC Heritage Softail Classic	1340		KN-170	FLHTCU Electra Glide Ultra Classic	1340		KN-170
			KN-170C				KN-170C
FLT	1340		KN-170	FLHTCUI Ultra Classic Electra Glide F/I	1340		KN-170
			KN-170C				KN-170C
FLT80 Tour Glide	1289	HD-2078	KN-171B	FLSTC Heritage Softail Classic	1340		KN-170
		HD-2078	KN-171C				
FLTC Tour Glide Classic	1340	HD-2078	KN-170				

\*Indicates 2 filters required

◆ - Intake kit available

Applications updated daily at [knfilters.com](http://knfilters.com) ®

# AIR & OIL FILTERS HARLEY DAVIDSON

Vehicle	Engine Type	Air Filter	Oil Filter	Vehicle	Engine Type	Air Filter	Oil Filter
<b>1981 HARLEY DAVIDSON</b>				<b>1978 HARLEY DAVIDSON</b>			
FLSTC Heritage Softail Classic	1340		KN-170C	XLH1000 Sportster	1000	HD-2076	
FLT	1340		KN-170 KN-170C	<b>1977 HARLEY DAVIDSON</b>			
FLT80 Tour Glide	1289	HD-2078	KN-171B	FLH Electra Glide	1200	HD-2075	
FLTC Tour Glide Classic	1340	HD-2078	KN-171C	FLH Electra Glide Classic	1200	HD-2075	
		HD-2078	KN-170	FLHS Sport Glide	1200	HD-2075	
FXE Super Glide	1340	HD-2078	KN-170C	FX Super Glide	1200	HD-2076	
FXEF Fat Bob	1340	HD-2078		FXE Super Glide	1200	HD-2076	
FXS Low Rider	1340	HD-2078		FXS Low Rider	1200	HD-2076	
FXWG Wide Glide	1340	HD-2078		XLCH1000 Sportster	1000	HD-2076	
XLH883	883		KN-172C	XLH1000 Sportster	1000	HD-2076	
XLH1000 Sportster	1000	HD-2078		<b>1976 HARLEY DAVIDSON</b>			
XLH1200 Sportster	1200		KN-172C	FLH Electra Glide	1200	HD-2075	
XLS1000 Roadster	1000		KN-172C	FXE Super Glide	1200	HD-2076	
<b>1980 HARLEY DAVIDSON</b>				<b>1975 HARLEY DAVIDSON</b>			
FLH Electra Glide	1200	HD-2078		FLH Electra Glide	1200	HD-0200	
FLH Electra Glide Classic	1340	HD-2078		FX Super Glide	1200	HD-0200	
FLSTC Heritage Softail Classic	1340		KN-170	FXE Super Glide	1200	HD-0200	
			KN-170C	XLCH1000 Sportster	1000	HD-2075	
FLT	1340		KN-170	XLH1000 Sportster	1000	HD-2075	
FLT80 Tour Glide	1340	HD-2078	KN-170C	<b>1974 HARLEY DAVIDSON</b>			
FLTC Tour Glide Classic	1340	HD-2078	KN-171B	Baja 100	100	HD-0300	
			KN-171C	FL 74ci models	1200	HD-0200	
			KN-170	FLH 74ci models	1200	HD-0200	
FXB Sturgis	1340	HD-2078	KN-170C	FX 74ci models	1200	HD-0200	
FXE Super Glide	1200	HD-2078		FX Super Glide	1200	HD-0200	
FXEF Fat Bob	1340	HD-2078		Sportster models	1000	HD-0200	
FXS Low Rider	1340	HD-2078		SR100	100	HD-0300	
FXWG Wide Glide	1340	HD-2078		<b>1973 HARLEY DAVIDSON</b>			
XLH883	883		KN-172C	Baja 100	100	HD-0300	
XLH1000 Sportster	1000	HD-2078		FLH 74ci models	1200	HD-0200	
XLH1100 Sportster	1100		KN-172C	FX Super Glide	1200	HD-0200	
XLH1200 Sportster	1200		KN-172C	Sportster models	1000	HD-0200	
XLS1000 Roadster	1000		KN-172C	SR100	100	HD-0300	
<b>1979 HARLEY DAVIDSON</b>				<b>1972 HARLEY DAVIDSON</b>			
FLH Electra Glide	1200	HD-2078		Baja 100	100	HD-0300	
FLH Electra Glide Annv.	1200	HD-2078		FL 74ci models	1200	HD-0200	
FLH Electra Glide Classic	1340	HD-2078		FLH 74ci models	1200	HD-0200	
FX Super Glide	1200	HD-2078		FX Super Glide	1200	HD-0200	
FXE Super Glide	1200	HD-2078		Sportster models	1000	HD-0200	
FXS Low Rider	1200	HD-2078		SR100	100	HD-0300	
FXS Low Rider	1340	HD-2078		<b>1971 HARLEY DAVIDSON</b>			
XLH1000 Sportster	1000	HD-2078		FLH 74ci models	1200	HD-0200	
<b>1978 HARLEY DAVIDSON</b>				<b>1970 HARLEY DAVIDSON</b>			
FLH Electra Glide	1200	HD-2075		FL 74ci models	1200	HD-0200	
FLH Electra Glide Annv.	1200	HD-2075		FLH 74ci models	1200	HD-0200	
FX Super Glide	1200	HD-2076		FX 74ci models	1200	HD-0200	
FXE Super Glide	1200 - Early Models	HD-2076		Sportster models	900	HD-0200	
FXE Super Glide	1200 - Late Models	HD-2078		SR100	100	HD-0300	
FXS Low Rider	1200	HD-2076		<b>1969 HARLEY DAVIDSON</b>			
XLCH1000 Sportster	1000	HD-2076		74FL Electra Glide	1200	HD-0200	
XLH Sportster Annv.	1000	HD-2076		FLH 74ci models	1200	HD-0200	
				Sportster models	900	HD-0200	

\*Indicates 2 filters required    ♦ - Intake kit available    Applications updated daily at [knfilters.com](http://knfilters.com) ®

**Partial Listing - Complete List of Vehicles and Applications at [knfilters.com](http://knfilters.com)**

# HARLEY DAVIDSON AIR & OIL FILTERS

Vehicle	Engine Type	Air Filter	Oil Filter
<b>1968 HARLEY DAVIDSON</b>			
74FL Electra Glide	1200	HD-0200	
FL 74ci models	1200	HD-0200	
FLH 74ci models	1200	HD-0200	
Sportster models	900	HD-0200	

<b>1967 HARLEY DAVIDSON</b>			
Sportster models	900	HD-0200	

<b>2006 HOLDEN</b>			
Commodore	3.6L V6 F/I	33-2919	
Commodore	6.0L V8 F/I	33-2919	

<b>2004 HOLDEN</b>			
Adventra	5.7L V8 F/I	33-2116	HP-1007
Commodore	3.8L V6 F/I - inc. VT, VX, VY	33-2116	
Commodore	5.0L V8 F/I	33-2116	
Commodore	5.7L V8 F/I	33-2116	
Monaro	5.7L V8 F/I	33-2116	

<b>2003 HOLDEN</b>			
Adventra	5.7L V8 F/I		HP-1007
Adventra	5.7L V8 F/I - from 9/03	33-2116	HP-1007
Astra	1.8L L4 F/I	33-2787	HP-2001
Commodore	3.8L V6 F/I - inc. VT	33-2116	
Commodore	5.0L V8 F/I	33-2116	
Commodore	5.7L V8 F/I	33-2116	
Monaro	5.7L V8 F/I	33-2116	

<b>2002 HOLDEN</b>			
Calais	3.8L V6 F/I	33-2031-2	HP-2001
Calais	3.8L V6 F/I - Supercharged	33-2116	HP-2001
Commodore	3.8L V6 F/I - inc. VT	33-2116	
Commodore	5.0L V8 F/I	33-2116	
Commodore	5.7L V8 F/I	33-2116	
Monaro	5.7L V8 F/I	33-2116	

<b>2001 HOLDEN</b>			
Commodore	3.8L V6 F/I - inc. VT	33-2116	
Commodore	5.0L V8 F/I	33-2116	
Commodore	5.7L V8 F/I - Non-US	33-2235	
Monaro	5.7L V8 F/I	33-2116	

<b>2000 HOLDEN</b>			
Commodore	3.8L V6 F/I - inc. VT	33-2116	
Commodore	5.0L V8 F/I	33-2116	
Commodore	5.7L V8 F/I - Non-US	33-2235	
Monaro	5.7L V8 F/I	33-2116	

<b>1999 HOLDEN</b>			
Commodore	3.8L V6 F/I - inc. VT	33-2116	
Commodore	5.0L V8 F/I	33-2116	
Commodore	5.7L V8 F/I	33-2116	

<b>1998 HOLDEN</b>			
Commodore	3.8L V6 F/I - inc. VT	33-2116	
Commodore	5.0L V8 F/I	33-2116	
Commodore	5.7L V8 F/I	33-2116	

<b>1997 HOLDEN</b>			
Apollo	3.0L V6 F/I	33-2052	HP-1002
Commodore	3.8L V6 F/I - inc. VT	33-2116	
Commodore	5.0L V8 F/I	33-2116	
Commodore	5.7L V8 F/I	33-2116	

<b>1996 HOLDEN</b>			
Apollo	3.0L V6 F/I	33-2052	HP-1002
Commodore	3.8L V6 F/I	33-2031-2	HP-1007
Commodore	5.0L V8 F/I	33-2031-2	HP-1007

Vehicle	Engine Type	Air Filter	Oil Filter
<b>1995 HOLDEN</b>			
Apollo	3.0L V6 F/I	33-2052	HP-1002
Commodore	3.8L V6 F/I	33-2031-2	HP-1007
Commodore	5.0L V8 F/I	33-2031-2	HP-1007

<b>1994 HOLDEN</b>			
Apollo	3.0L V6 F/I	33-2052	HP-1002
Commodore	3.8L V6 F/I	33-2031-2	HP-1007
Commodore	5.0L V8 F/I	33-2031-2	HP-1007

<b>1993 HOLDEN</b>			
Apollo	3.0L V6 F/I	33-2052	HP-1002
Commodore	3.8L V6 F/I	33-2031-2	HP-1007
Commodore	5.0L V8 F/I	33-2031-2	HP-1007

<b>1992 HOLDEN</b>			
Commodore	3.8L V6 F/I	33-2031-2	HP-1007
Commodore	5.0L V8 F/I	33-2031-2	HP-1007

<b>1991 HOLDEN</b>			
Commodore	3.8L V6 F/I	33-2031-2	HP-1007
Commodore	5.0L V8 F/I	33-2031-2	HP-1007

<b>1990 HOLDEN</b>			
Commodore	3.8L V6 F/I	33-2031-2	HP-1007
Commodore	5.0L V8 F/I	33-2031-2	HP-1007

<b>1989 HOLDEN</b>			
Commodore	3.8L V6 F/I	33-2031-2	HP-1007
Commodore	5.0L V8 F/I	33-2031-2	HP-1007

<b>1988 HOLDEN</b>			
Commodore	3.8L V6 F/I	33-2031-2	HP-1007
Commodore	5.0L V8 F/I	33-2031-2	HP-1007

<b>2011 HONDA</b>			
Accord	2.4L L4 F/I	33-2402 ♦	HP-1010
Accord	3.5L V6 F/I	33-2403 ♦	HP-1010
Accord Crosstour	3.5L V6 F/I	33-2403 ♦	HP-1010
Accord IX	2.4L L4 F/I	33-2430	
CBR600RR	600	HA-6007	
CBR600RR	600 - Race Specific	HA-6007R	
CBR1000RR	1000	HA-1008	
CBR1000RR	1000 - Race Specific	HA-1008R	
Civic	1.3L L4 F/I	33-2348	
Civic	1.8L L4 F/I	33-2342 ♦	HP-1010
Civic Si	2.0L L4 F/I	33-2343 ♦	HP-1010
Civic VII	1.3L L4 F/I	33-2348	HP-1010
Civic VII	1.8L L4 F/I	33-2342 ♦	HP-1010
CRF250R	250	HA-4509XD	KN-116
CRF450R	444	HA-4509XD	KN-116
CR-V	2.4L L4 F/I	33-2437	HP-1010
CR-V III	2.0L L4 F/I	33-2961	
CR-Z	1.5L L4 F/I	33-2459	HP-1010
Element	2.4L L4 F/I	33-2343	HP-1010
Fit	1.5L L4 F/I	33-2422 ♦	HP-1010
Insight	1.3L L4 F/I	33-2433	HP-1010
Jazz	1.2L L4 F/I	33-2422	
Jazz	1.4L L4 F/I	33-2422	
Odyssey	3.5L V6 F/I		HP-1010
PCX 125	125	HA-1211	
Pilot	3.5L V6 F/I	33-2309	HP-1010
Ridgeline	3.5L V6 F/I	33-2323	HP-1010
ST1300	1300	HA-1302	KN-204
		HA-1302	KN-204C
TRX250TE Recon ES	250	HA-2501	
TRX250TM Recon	250	HA-2501	
TRX500FA Foreman	500	HA-5000	
Rubicon			

\*Indicates 2 filters required      ♦ - Intake kit available      Applications updated daily at [knfilters.com](http://knfilters.com) ®



# AIR & OIL FILTERS

# HONDA

Vehicle	Engine Type	Air Filter	Oil Filter	Vehicle	Engine Type	Air Filter	Oil Filter
<b>2011 HONDA</b>				<b>2010 HONDA</b>			
TRX500FE Foreman 4x4 ES	500	HA-5000		GL1800 Gold Wing	1800	HA-1801	KN-204C
TRX500FM Foreman 4x4	500	HA-5000	KN-113	Insight	1.3L L4 F/I	33-2433	HP-1010
TRX500FPA Foreman Rubicon	500	HA-5000	KN-111	Jazz	1.2L L4 F/I	33-2422	
GPScape w/EP				Jazz	1.4L L4 F/I	33-2422	
TRX500FPE Foreman 4x4 ES w/PS	500	HA-5000	KN-113	Legend	3.7L V6 F/I	33-2425	
TRX500FPM Foreman 4x4 w/PS	500	HA-5000	KN-113	NHX110	110	HA-1010	
TRX680FA Rincon	680	HA-6806	KN-111	NSA700 DN-01	700	HA-6708	
VFR1200	1237	HA-1110		NT700V Deauville	700	HA-7010	KN-204
<b>2010 HONDA</b>				NT700VA	700	HA-7010	KN-204C
Accord	2.4L L4 F/I		HP-1010	NT700VAA	700		KN-204
Accord	2.4L L4 F/I - US	33-2402 ♦	HP-1010	Odyssey	3.5L V6 F/I	33-2309	HP-1010
Accord	3.5L V6 F/I	33-2403 ♦	HP-1010	PES125	125	HA-1510	
Accord Crosstour	3.5L V6 F/I	33-2403 ♦	HP-1010	PES150	150	HA-1510	
Accord IX	2.4L L4 F/I	33-2430		Pilot	3.5L V6 F/I	33-2309	HP-1010
CB600F Hornet	600		KN-204	Ridgeline	3.5L V6 F/I	33-2323	HP-1010
			KN-204C	SH125	125	HA-1510	
CB1000R	1000	HA-1009	KN-204	SH150i	153	HA-1510	
		HA-1009	KN-204C	SH300i Sporty	300		KN-204
CB1300	1300	HA-1301	KN-204	ST1300	1300	HA-1302	
		HA-1301	KN-204C	TRX420 Rancher	420	HA-4207	KN-113
CBF600	600	HA-5907	KN-204	TRX680FA Rincon	680	HA-6806	KN-111
		HA-5907	KN-204C	TRX680FGA Rincon	680		KN-111
CBF600 S/SA	600		KN-204	GPScape			
			KN-204C	VFR1200	1237	HA-1110	KN-204
CBF1000	1000	HA-1006	KN-204	VT750 C2B Shadow Phantom	750	HA-1110	KN-204C
		HA-1006	KN-204C	VT750 RS Shadow	750		KN-204
CBF1000 F	1000	HA-1009		VT750C Shadow	750	HA-7504	KN-204
CBR600 RA	600		KN-204	VT750C Shadow	750	HA-7504	KN-204C
			KN-204C	VT1300 CXA Fury	1300		KN-204
CBR600RR	600	HA-6007	KN-204	XL125V Varadero	125		KN-113
		HA-6007	KN-204C	XL700V Transalp	700	HA-7008	KN-204
CBR600RR	600 - Race Specific	HA-6007R	KN-204	XL1000 Varadero	1000	HA-7008	KN-204C
CBR1000RR	1000	HA-1008	KN-204			HA-1003	KN-204
		HA-1008	KN-204C			HA-1003	KN-204C
CBR1000RR	1000 - Race Specific	HA-1008R	KN-204	<b>2009 HONDA</b>			
CBR1000RR ABS	1000	HA-1008		Accord	2.4L L4 F/I		HP-1010
City	1.5L L4 F/I		HP-1010	Accord	2.4L L4 F/I - US	33-2402 ♦	HP-1010
Civic	1.3L L4 F/I	33-2348	HP-1010	Accord	3.5L V6 F/I	33-2403 ♦	HP-1010
Civic	1.8L L4 F/I	33-2342 ♦	HP-1010	Accord IX	2.4L L4 F/I	33-2430	
Civic GX	1.8L L4 F/I	33-2342 ♦	HP-1010	ARX1500N3 Aquatrax F-15	1470		KN-204
Civic Si	2.0L L4 F/I	33-2343 ♦	HP-1010				KN-204C
Civic VII	1.3L L4 F/I	33-2348	HP-1010	ARX1500T3 Aquatrax F-15X	1470		KN-204
Civic VII	1.8L L4 F/I	33-2342 ♦	HP-1010				KN-204C
Civic VII Type R	2.0L L4 F/I	33-2948		CB600F Hornet	599	HA-5907	KN-204
CRF150R	150		KN-116			HA-5907	KN-204C
CRF250R	250	HA-4509XD	KN-116	CB1000R	1000	HA-1009	KN-204
CRF450R	444	HA-4509XD				HA-1009	KN-204C
CR-V	2.4L L4 F/I	33-2437	HP-1010	CB1300	1300	HA-1301	
CR-V III	2.0L L4 F/I	33-2961		CB1300SA	1300		KN-204
Element	2.4L L4 F/I	33-2343	HP-1010				KN-204C
Fit	1.5L L4 F/I	33-2422 ♦	HP-1010	CBF600	599	HA-5907	KN-204
FJS400 Silver Wing	400		KN-204				
			KN-204C				
FJS600 Silver Wing	600		KN-204				
			KN-204C				
FSC600 Silver Wing Fury	582 1300	HA-6002	KN-204				
			KN-204C				
GL1800 Gold Wing	1800	HA-1801	KN-204				

\*Indicates 2 filters required      ♦ - Intake kit available      Applications updated daily at [knfilters.com](http://knfilters.com) ®

**Partial Listing - Complete List of Vehicles and Applications at [knfilters.com](http://knfilters.com)**

# HONDA

# AIR & OIL FILTERS

Vehicle	Engine Type	Air Filter	Oil Filter	Vehicle	Engine Type	Air Filter	Oil Filter
<b>2009 HONDA</b>				<b>2009 HONDA</b>			
CBF600	599	HA-5907	KN-204C	PES150	150	HA-1510	
CBF600 S/SA	600		KN-204	Pilot	3.5L V6 F/I	33-2309	HP-1010
			KN-204C	Ridgeline	3.5L V6 F/I	33-2323	HP-1010
CBF1000	990	HA-1006	KN-204	S2000	2.2L L4 F/I	E-2435	HP-1004
		HA-1006	KN-204C	SH125	125	HA-1510	
CBF1000 F	1000		KN-204	SH150i	150	HA-1510	
			KN-204C	SH300i	279		KN-204
CBF1000 F Ltd. Ed.	1000		KN-204				KN-204C
			KN-204C	SH300i Sporty	300		KN-204
CBF1000 F Travel	1000		KN-204				KN-204C
			KN-204C	ST1300	1300	HA-1302	KN-204
CBR600 RA	600		KN-204			HA-1302	KN-204C
			KN-204C	ST1300 Pan	1300		KN-204
CBR600RR	600	HA-6007	KN-204	European			
		HA-6007	KN-204C				KN-204C
CBR600RR	600 - Race Specific	HA-6007R	KN-204	TRX90X	90	HA-1088	
CBR1000RR	1000	HA-1008	KN-204	TRX250TE Recon ES	250	HA-2501	
		HA-1008	KN-204C	TRX250TM Recon	250	HA-2501	
CBR1000RR	1000 - Race Specific	HA-1008R	KN-204	TRX250X	250	HA-2501	
CBR1000RR	990		KN-204	TRX300X	300	HA-3094	KN-113
Fireblade			KN-204C	TRX400X	400	HA-4099	KN-113
				TRX420 Rancher	420	HA-4207	KN-113
CHF50 Metropolitan	50	HA-0502		TRX450ER	450	BD-6500	KN-116
Civic	1.3L L4 F/I	33-2348	HP-1010	TRX450R	450	BD-6500	KN-116
Civic	1.8L L4 F/I	33-2342 ♦	HP-1010	TRX500FA Foreman	500	HA-5000	KN-111
Civic Si	2.0L L4 F/I	33-2343 ♦	HP-1010	Rubicon			
Civic VII	1.3L L4 F/I	33-2348	HP-1010	TRX500FE Foreman	500	HA-5000	KN-113
Civic VII	1.8L L4 F/I	33-2342 ♦	HP-1010	4x4 ES			
Civic VII Type R	2.0L L4 F/I	33-2948 ♦		TRX500FM Foreman	500	HA-5000	KN-113
CRF80F	80	HA-1088		4x4			
CRF100F	100	HA-1088		TRX500FPA	500	HA-5000	KN-111
CRF150F	150	HA-1503		Foreman Rubicon			
CRF150R	150	HA-1507	KN-116	GPScape w/EPS			
CRF150R Expert	150	HA-1507	KN-116	TRX500FPE	500	HA-5000	KN-113
CRF230F	230	HA-1503		Foreman 4x4 ES			
CRF250R	250	HA-4503XD	KN-116	w/PS			
CRF250X	250	HA-2505XD	KN-116	TRX500FPM	500	HA-5000	KN-113
CRF450R	444	HA-4509XD	KN-116	Foreman 4x4 w/PS			
CRF450X	450	HA-2505XD	KN-116	TRX680FA Rincon	680	HA-6806	KN-111
CR-V	2.4L L4 F/I	33-2377	HP-1010	TRX680FGA Rincon	680	HA-6806	KN-111
CR-V III	2.0L L4 F/I	33-2961		GPScape			
Element	2.4L L4 F/I	33-2343	HP-1010	TRX700XX	700	HA-6808	KN-112
Fit	1.5L L4 F/I	33-2422 ♦	HP-1010	VFR800F Interceptor	782	HA-8098	KN-204
FJS400 Silver Wing	399		KN-204			HA-8098	KN-204C
			KN-204C	VT750C Shadow	750	HA-7504	KN-204
			KN-204	Aero			
FJS600 Silver Wing	582		KN-204C			HA-7504	KN-204C
			KN-204C	VT750C2 Shadow	750	HA-7504	KN-204
FSC600 Silver Wing	582	HA-6002	KN-204	Spirit			
		HA-6002	KN-204C			HA-7504	KN-204C
GL1800 Gold Wing	1800	HA-1801	KN-204	VTX1300C	1300	HA-1330	KN-204
		HA-1801	KN-204C			HA-1330	KN-204C
Insight	1.3L L4 F/I	33-2433		VTX1300R	1300	HA-1330	KN-204
Jazz	1.2L L4 F/I	33-2422				HA-1330	KN-204C
Jazz	1.4L L4 F/I	33-2422		VTX1300T	1300	HA-1330	KN-204
Jazz	1.5L L4 F/I	33-2422				HA-1330	KN-204C
Legend	3.7L V6 F/I	33-2425		XL125V Varadero	125		KN-113
NPS50 Ruckus	50	HA-0502		XL700V Transalp	700	HA-7008	KN-204
NSA700 DN-01	700	HA-6708	KN-204			HA-7008	KN-204C
		HA-6708	KN-204C	XL1000 Varadero	1000		KN-204
NT700V Deauville	700	HA-7010	KN-204				KN-204C
		HA-7010	KN-204C	XR650L	650	HA-6592	KN-112
Odyssey	3.5L V6 F/I	33-2309	HP-1010				
PES125	125	HA-1510					

\*Indicates 2 filters required

♦ - Intake kit available

Applications updated daily at [knfilters.com](http://knfilters.com) ®

# AIR & OIL FILTERS

# HONDA

Vehicle	Engine Type	Air Filter	Oil Filter	Vehicle	Engine Type	Air Filter	Oil Filter
<b>2008 HONDA</b>				<b>2008 HONDA</b>			
Accord	2.4L L4 F/I		HP-1010	CRF450R	444	HA-4503XD	KN-116
Accord	2.4L L4 F/I - US	33-2402 ♦	HP-1010	CRF450X	450	HA-2505XD	KN-116
Accord	3.5L V6 F/I	33-2403 ♦	HP-1010	CR-V	2.4L L4 F/I	33-2377	HP-1010
Accord IX	2.4L L4 F/I	33-2430		CR-V III	2.0L L4 F/I	33-2961	
Accord VIII	2.0L L4 F/I - Non-US	33-2276 ♦		Element	2.4L L4 F/I	33-2343	HP-1010
Accord VIII	2.4L L4 F/I - Non-US	33-2276 ♦	HP-1010	Fit	1.5L L4 F/I	33-2359 ♦	HP-1010
ARX1500T3 Aquatrax F-15X	1470		KN-204	FJS400 Silver Wing	399		KN-204
			KN-204C	FJS600 Silver Wing	582		KN-204
			KN-204				KN-204C
ARX1500T3D Aquatrax F-15X GPScape	1470		KN-204	FR-V	1.7L L4 F/I	33-2243	
			KN-204C	FR-V	2.0L L4 F/I	E-2429	
				FSC600 Silver Wing	582	HA-6002	KN-204
						HA-6002	KN-204C
				GL1800 Gold Wing	1800	HA-1801	KN-204
CB600F Hornet	599	HA-5907	KN-204			HA-1801	KN-204C
		HA-5907	KN-204C	Jazz	1.2L L4 F/I - OEM 17201PWA010	33-2917	
CB1000R	1000		KN-204	Jazz	1.2L L4 F/I - OEM 17220REAZ00	33-2872	
			KN-204C	Jazz	1.4L L4 F/I - OEM 17201PWA010	33-2917 ♦	
CB1300F	1300		KN-204	Jazz	1.4L L4 F/I - OEM 17220PWAJ10	33-2359 ♦	
			KN-204C	Jazz	1.4L L4 F/I - OEM 17220REAZ00	33-2872 ♦	
CB1300S	1300		KN-204	NPS50 Ruckus	50	HA-0502	
			KN-204C	NSA700 DN-01	700	HA-6708	KN-204
CB1300SA	1300		KN-204			HA-6708	KN-204C
CBF500	500		KN-303	NT700V Deauville	700	HA-7010	KN-204
			KN-303C			HA-7010	KN-204C
CBF500 ABS	500		KN-303	Odyssey	3.5L V6 F/I	33-2309	HP-1010
			KN-303C	PES125	125	HA-1510	
CBF600	599	HA-5907	KN-204	PES150	150	HA-1510	
		HA-5907	KN-204C	Pilot	3.5L V6 F/I	33-2200	HP-1010
CBF600 S/SA	600		KN-204	Ridgeline	3.5L V6 F/I	33-2323 ♦	HP-1010
			KN-204C	S2000	2.2L L4 F/I	E-2435 ♦	HP-1004
CBF1000	990	HA-1006	KN-204	SH125	125	HA-1510	
		HA-1006	KN-204C	SH150i	150	HA-1510	
CBF1000 F	1000		KN-204	SH300i	279		KN-204
			KN-204C	SH300i Sporty	300		KN-204
CBR600RR	600	HA-6007	KN-204	ST1300	1300	HA-1302	KN-204
		HA-6007	KN-204C			HA-1302	KN-204C
CBR600RR	600 - Race Specific	HA-6007R	KN-204	ST1300 Pan European	1300		KN-204
CBR1000RR	1000	HA-1008	KN-204				KN-204C
		HA-1008	KN-204C	TRX90EX	90	HA-1088	
CBR1000RR	1000 - Race Specific	HA-1008R	KN-204	TRX250EX	225	HA-2501	
CBR1000RR Fireblade	990		KN-204	TRX250TE Recon ES	250	HA-2501	
			KN-204C	TRX250TM Recon	250	HA-2501	
CHF50 Metropolitan	50	HA-0502		TRX300EX	300	HA-3094	KN-113
Civic	1.3L L4 F/I	33-2348	HP-1010	TRX400EX	397	HA-4099	KN-113
Civic	1.8L L4 F/I	33-2342 ♦	HP-1010	TRX420 Rancher	420	HA-4207	KN-113
Civic Si	2.0L L4 F/I	33-2343 ♦	HP-1010	TRX450ER	450	BD-6500	KN-116
Civic VII	1.3L L4 F/I	33-2348	HP-1010	TRX450R	450	BD-6500	KN-116
Civic VII	1.8L L4 F/I	33-2342 ♦	HP-1010	TRX500FA Foreman	500	HA-5000	KN-111
Civic VII Type R	2.0L L4 F/I	33-2948 ♦		Rubicon			
CRF80F	80	HA-1088		TRX500FE Foreman 4x4 ES	500	HA-5000	KN-113
CRF100F	100	HA-1088		TRX500FGA	500	HA-5000	KN-111
CRF150F	150	HA-1503		Foreman Rubicon GPScape			
CRF150R	150	HA-1507	KN-116	TRX500FM Foreman 4x4	500	HA-5000	KN-113
CRF150R Expert	150	HA-1507	KN-116				
CRF230F	230	HA-1503					
CRF250R	250	HA-4503XD	KN-116				
CRF250X	250	HA-2505XD	KN-116				

\*Indicates 2 filters required      ♦ - Intake kit available      Applications updated daily at [knfilters.com](http://knfilters.com) ®

**Partial Listing - Complete List of Vehicles and Applications at [knfilters.com](http://knfilters.com)**

# HONDA

# AIR & OIL FILTERS

Vehicle	Engine Type	Air Filter	Oil Filter	Vehicle	Engine Type	Air Filter	Oil Filter
<b>2008 HONDA</b>				<b>2007 HONDA</b>			
TRX500FPE	500	HA-5000	KN-113	CB600F	600		KN-204C
Foreman 4x4 ES w/PS				CB600F Hornet	599	HA-5907	KN-204
TRX500FPM	500	HA-5000	KN-113			HA-5907	KN-204C
Foreman 4x4 w/PS				CB900F Hornet	919	HA-9002	KN-204
TRX680FA Rincon	680	HA-6806	KN-111			HA-9002	KN-204C
TRX680FGA Rincon	680	HA-6806	KN-111	CB1300	1300	HA-1301	KN-204
GPScape						HA-1301	KN-204C
TRX700XX	700	HA-6808	KN-112	CB1300F	1300		KN-204
VFR800F Interceptor	782	HA-8098	KN-204				KN-204C
		HA-8098	KN-204C	CB1300S	1300	HA-1301	KN-204
VT125C Shadow	121		KN-113			HA-1301	KN-204C
VT750C Shadow	750		KN-204	CBF500	500		KN-303
			KN-204C				KN-303C
VT750C Shadow Aero	750	HA-7504	KN-204	CBF500 ABS	500		KN-303
		HA-7504	KN-204C				KN-303C
VT750C2 Shadow Spirit	750	HA-7504	KN-204	CBF600	599	HA-5907	KN-204
		HA-7504	KN-204C			HA-5907	KN-204C
VTX1300C	1300	HA-1330	KN-204	CBF600S	599	HA-5907	KN-204
		HA-1330	KN-204C			HA-5907	KN-204C
VTX1300R	1300	HA-1330	KN-204	CBF1000	990	HA-1006	KN-204
		HA-1330	KN-204C			HA-1006	KN-204C
VTX1300T	1300	HA-1330	KN-204	CBF1000 F	1000		KN-204
		HA-1330	KN-204C				KN-204C
VTX1800F	1795	HA-1802	KN-204	CBF1000 F Travel	1000		KN-204
		HA-1802	KN-204C				KN-204C
VTX1800N	1795	HA-1802	KN-204	CBR125R	125	HA-1502	
		HA-1802	KN-204C	CBR600F	600		KN-204
VTX1800T	1795	HA-1802	KN-204				KN-204C
		HA-1802	KN-204C	CBR600RR	600	HA-6007	KN-204
XL125V Varadero	125		KN-113			HA-6007	KN-204C
XL700V Transalp	700	HA-7008	KN-204	CBR600RR	600 - Race Specific	HA-6007R	KN-204
		HA-7008	KN-204C	CBR1000RR	1000	HA-1004	KN-204
XL1000 Varadero	1000	HA-1003	KN-204			HA-1004	KN-204C
		HA-1003	KN-204C	CBR1000RR	1000 - Race Specific	HA-1004R	KN-204
XR650L	650	HA-6592	KN-112	CBR1000RR	990	HA-1004	KN-204
				Fireblade	990 - Race Specific	HA-1004R	KN-204
<b>2007 HONDA</b>				Fireblade	990	HA-1004	KN-204
919	919	HA-9002	KN-204	Fireblade Repsol		HA-1004	KN-204C
		HA-9002	KN-204C				
Accord	2.4L L4 F/I	33-2276 ♦	HP-1010	CBR1000RR	990 - Race Specific	HA-1004R	KN-204
Accord	3.0L V6 F/I	33-2277 ♦	HP-1010	Fireblade Repsol			
Accord Hybrid	3.0L V6 F/I	33-2299	HP-1010	CHF50 Metropolitan	50	HA-0502	
Accord VIII	2.0L L4 F/I - Non-US	33-2276 ♦		Civic	1.3L L4 F/I	33-2348	HP-1010
Accord VIII	2.4L L4 F/I - Non-US	33-2276 ♦	HP-1010	Civic	1.8L L4 F/I	33-2342 ♦	HP-1010
ARX1200N3 Aquatrax F-12	1235		KN-204	Civic Si	2.0L L4 F/I	33-2343 ♦	HP-1010
			KN-204C	Civic VII	1.3L L4 F/I	33-2348	HP-1010
ARX1200T2 Aquatrax R-12X	1235		KN-204	Civic VII	1.8L L4 F/I	33-2342 ♦	HP-1010
			KN-204C	Civic VII Type R	2.0L L4 F/I	33-2948 ♦	
ARX1200T3 Aquatrax F-12X	1235		KN-204	CN250 Helix	250	HA-2586	
			KN-204C	CR85R	86	HA-8086	
ARX1200T3D Aquatrax F-12X	1235		KN-204	CR85R Expert	86	HA-8086	
			KN-204C	CRF80F	80	HA-1088	
ARX1200T3D Aquatrax F-12X	1235		KN-204	CRF100F	100	HA-1088	
GPScape			KN-204C	CRF150F	150	HA-1503	
				CRF150R	150	HA-1507	KN-116
CB600F	600		KN-204	CRF150R Expert	150	HA-1507	KN-116
				CRF230F	230	HA-1503	
				CRF250R	250	HA-4503XD	KN-116
				CRF250X	250	HA-2505XD	KN-116
				CRF450R	444	HA-4503XD	KN-116

\*Indicates 2 filters required

♦ - Intake kit available

Applications updated daily at [knfilters.com](http://knfilters.com) ®

# AIR & OIL FILTERS

# HONDA

Vehicle	Engine Type	Air Filter	Oil Filter	Vehicle	Engine Type	Air Filter	Oil Filter
<b>2007 HONDA</b>				<b>2007 HONDA</b>			
CRF450X	450	HA-2505XD	KN-116	TRX500FPE	500	HA-5000	KN-113
CR-V	2.4L L4 F/I	33-2377	HP-1010	Foreman 4x4 ES w/PS			
CR-V III	2.0L L4 F/I	33-2961		TRX680FA Rincon	680	HA-6806	KN-111
Element	2.4L L4 F/I	33-2343	HP-1010	TRX680FGA Rincon	680	HA-6806	KN-111
Fit	1.5L L4 F/I	33-2359 ♦	HP-1010	GPScape			
FJS400 Silver Wing	399		KN-204 KN-204C	VFR800F Interceptor	782	HA-8098	KN-204
FJS600 Silver Wing	582		KN-204 KN-204C KN-112	VT125C Shadow	121		KN-113
FMX650	650			VT600C Shadow VLX	600	HA-6199	KN-303
FR-V	1.7L L4 F/I	33-2243				HA-6199	KN-303C
FR-V	2.0L L4 F/I	E-2429		VT600CD Shadow VLX Deluxe	600	HA-6199	KN-303
FSC600 Silver Wing	582	HA-6002	KN-204			HA-6199	KN-303C
		HA-6002	KN-204C				
GL1800 Gold Wing	1800	HA-1801	KN-204	VT750 Shadow Aero	750	HA-7504	KN-204
		HA-1801	KN-204C			HA-7504	KN-204C
Jazz	1.2L L4 F/I - OEM 17201PWA010	33-2917		VT750C Shadow Aero	750		KN-204
Jazz	1.2L L4 F/I - OEM 17220REAZ00	33-2872					KN-204C
Jazz	1.4L L4 F/I - OEM 17201PWA010	33-2917 ♦		VT750C2 Shadow Spirit	750	HA-7504	KN-204
Jazz	1.4L L4 F/I - OEM 17220PWAJ10	33-2359 ♦				HA-7504	KN-204C
Jazz	1.4L L4 F/I - OEM 17220REAZ00	33-2872 ♦		VT750DC Shadow Spirit	750	HA-7500	KN-303
NPS50 Ruckus	50	HA-0502				HA-7500	KN-303C
NT700V Deauville	700	HA-7010	KN-204				
		HA-7010	KN-204C	VT1100C Shadow Spirit	1100	HA-1187	KN-303
Odyssey	3.5L V6 F/I	33-2309	HP-1010			HA-1187	KN-303C
PES125	125	HA-1510					
PES150	150	HA-1510		VT1100C2 Shadow Sabre	1100	HA-1187	KN-303
Pilot	3.5L V6 F/I	33-2200	HP-1010				
Ridgeline	3.5L V6 F/I	33-2323 ♦	HP-1010			HA-1187	KN-303C
S2000	2.0L L4 F/I	E-2435 ♦	HP-1004				
S2000	2.2L L4 F/I	E-2435 ♦	HP-1004	VTX1300C	1300	HA-1330	KN-204
SH125	125	HA-1510				HA-1330	KN-204C
SH150i	150	HA-1510		VTX1300R	1300	HA-1330	KN-204
SH300i	279		KN-204 KN-204C			HA-1330	KN-204C
ST1300	1300	HA-1302	KN-204	VTX1300S	1300	HA-1330	KN-204
		HA-1302	KN-204C			HA-1330	KN-204C
ST1300 Pan European	1300	HA-1302	KN-204	VTX1800C	1795	HA-1802	KN-204
		HA-1302	KN-204C			HA-1802	KN-204C
				VTX1800F	1795	HA-1802	KN-204
						HA-1802	KN-204C
TRX90EX	90	HA-1088		VTX1800N	1795	HA-1802	KN-204
TRX250EX	225	HA-2501				HA-1802	KN-204C
TRX250TE Recon ES	250	HA-2501		VTX1800R	1795	HA-1802	KN-204
TRX250TM Recon	250	HA-2501				HA-1802	KN-204C
TRX300EX	300	HA-3094	KN-113	VTX1800T	1795	HA-1802	KN-204
TRX400EX	397	HA-4099	KN-113			HA-1802	KN-204C
TRX400FA Rancher AT	400	HA-3500	KN-111	XL125V Varadero	125		KN-113
TRX400FGA Rancher AT GPScape	397	HA-3500	KN-111	XL650V Transalp	650		KN-204
							KN-204C
TRX420 Rancher	420	HA-4207	KN-113	XL1000 Varadero	1000	HA-1003	KN-204
TRX450ER	450	BD-6500	KN-116			HA-1003	KN-204C
TRX450R	450	BD-6500	KN-116	XR650L	650	HA-6592	KN-112
TRX500FA Foreman Rubicon	500	HA-5000	KN-111	XR650R	650	HA-6500	KN-112
TRX500FE Foreman 4x4 ES	500	HA-5000	KN-113	<b>2006 HONDA</b>			
TRX500FGA Foreman Rubicon GPScape	500	HA-5000	KN-111	599	599	HA-6098	KN-204
						HA-6098	KN-204C
TRX500FM Foreman 4x4	500	HA-5000	KN-113	919	919	HA-9002	KN-204
						HA-9002	KN-204C
				Accord	2.4L L4 F/I	33-2276 ♦	HP-1010
				Accord	3.0L V6 F/I	33-2277 ♦	HP-1010

\*Indicates 2 filters required

♦ - Intake kit available

Applications updated daily at [knfilters.com](http://knfilters.com) ®

**Partial Listing - Complete List of Vehicles and Applications at [knfilters.com](http://knfilters.com)**

# HONDA

# AIR & OIL FILTERS

Vehicle	Engine Type	Air Filter	Oil Filter	Vehicle	Engine Type	Air Filter	Oil Filter
<b>2006 HONDA</b>				<b>2006 HONDA</b>			
Accord Hybrid	3.0L V6 F/I	33-2299	HP-1010	CBR1000RR	1000 - Race Specific	HA-1004R	KN-204
Accord VIII	2.0L L4 F/I - Non-US	33-2276 ♦		Fireblade			
Accord VIII	2.4L L4 F/I - Non-US	33-2276 ♦	HP-1010	CBR1100XX Super Blackbird	1100	HA-1199	KN-303
ARX1200N2 Aquatrax R-12	1235		KN-204			HA-1199	KN-303C
			KN-204C	CHF50 Metropolitan	50	HA-0502	
ARX1200N3 Aquatrax F-12	1235		KN-204	Civic	1.3L L4 F/I	33-2348	HP-1010
			KN-204C	Civic	1.8L L4 F/I	33-2342 ♦	HP-1010
ARX1200T2 Aquatrax R-12X	1235		KN-204	Civic Si	2.0L L4 F/I	33-2343 ♦	HP-1010
			KN-204C	Civic VI	1.6L L4 F/I - Exc., Sedan	33-2243 ♦	
ARX1200T3 Aquatrax F-12X	1235		KN-204	Civic VII	1.3L L4 F/I	33-2348	HP-1010
			KN-204C	Civic VII	1.8L L4 F/I	33-2342 ♦	HP-1010
ARX1200T3D Aquatrax F-12X GPScape	1235		KN-204	Civic VII	2.0L L4 F/I	E-2429 ♦	
			KN-204C	CN250 Helix	250	HA-2586	
			KN-204	CR85R	86	HA-8086	
			KN-204C	CR85R Expert	86	HA-8086	
			KN-204	CRF80F	80	HA-1088	
			KN-204C	CRF100F	100	HA-1088	
			KN-204C	CRF150F	150	HA-1503	
			KN-204C	CRF230F	230	HA-1503	
			KN-204C	CRF250R	250	HA-4503XD	KN-116
CB600 Hornet	599	HA-6098	KN-204	CRF250X	250	HA-2505XD	KN-116
		HA-6098	KN-204C	CRF450R	444	HA-4503XD	KN-116
CB600F	600		KN-204	CRF450X	450	HA-2505XD	KN-116
			KN-204C	CR-V	2.4L L4 F/I	E-2429	HP-1010
CB600F Hornet	600		KN-204	CR-V II	2.0L L4 F/I	E-2429	
			KN-204C	Element	2.4L L4 F/I	E-0771 ♦	HP-1010
CB900F Hornet	919		KN-204	FJS400 Silver Wing	399		KN-204
			KN-204C				KN-204C
CB1300	1300	HA-1301	KN-204	FJS600 Silver Wing	582		KN-204
		HA-1301	KN-204C				KN-204C
CB1300F	1300		KN-204	FMX650	650	HA-6505	KN-112
			KN-204C	FR-V	1.7L L4 F/I	33-2243	
CB1300S	1300		KN-204	FR-V	2.0L L4 F/I	E-2429	
			KN-204C	FSC600 Silver Wing	582	HA-6002	KN-204
CBF250	250		KN-113			HA-6002	KN-204C
CBF500	500	HA-6098	KN-303	GL1800 Gold Wing	1800	HA-1801	KN-204
		HA-6098	KN-303C			HA-1801	KN-204C
CBF500 ABS	500		KN-303	Insight	1.0L L3 F/I	33-2180	HP-1008
			KN-303C	Jazz	1.2L L4 F/I - OEM	33-2917	
CBF600	599	HA-6098	KN-204	Jazz	1.2L L4 F/I - OEM	33-2872	
		HA-6098	KN-204C	Jazz	1.2L L4 F/I - OEM	33-2872	
CBF600S	599	HA-6098	KN-204	Jazz	1.4L L4 F/I - OEM	33-2917 ♦	
		HA-6098	KN-204C	Jazz	1.4L L4 F/I - OEM	33-2872 ♦	
CBF1000	990	HA-1006	KN-204	Jazz	1.4L L4 F/I - OEM	33-2872 ♦	
		HA-1006	KN-204C	Jazz	1.5L L4 F/I	33-2917	
CBF1000 F	1000		KN-204	NES125	125	HA-1510	
			KN-204C	NES150	150	HA-1510	
CBR125R	125	HA-1502		NPS50 Ruckus	50	HA-0502	
CBR600F	600	HA-6001	KN-204	NSS250 Reflex	250	HA-2500-1	
		HA-6001	KN-204C	NSS250S Reflex Sport	250	HA-2500-1	
CBR600F4i	600	HA-6001	KN-204	NT700V Deauville	700	HA-7010	KN-204
		HA-6001	KN-204C			HA-7010	KN-204C
CBR600RR	600	HA-6003	KN-204	Odyssey	3.5L V6 F/I	33-2309	HP-1010
		HA-6003	KN-204C	PES125	125	HA-1510	
CBR1000RR	1000	HA-1004	KN-204	PES150	150	HA-1510	
		HA-1004	KN-204C	Pilot	3.5L V6 F/I	33-2200	HP-1010
CBR1000RR	1000 - Race Specific	HA-1004R	KN-204	PS250 Big Ruckus	250	HA-2500-1	
CBR1000RR	1000	HA-1004	KN-204	RC51	1000	HA-5100	KN-204
Fireblade			KN-204			HA-5100	KN-204C
		HA-1004	KN-204C	Ridgeline	3.5L V6 F/I	33-2323 ♦	HP-1010
			KN-204C	S2000	2.0L L4 F/I	E-2435 ♦	HP-1004

\*Indicates 2 filters required

♦ - Intake kit available

Applications updated daily at [knfilters.com](http://knfilters.com) ®

# AIR & OIL FILTERS

# HONDA

Vehicle	Engine Type	Air Filter	Oil Filter	Vehicle	Engine Type	Air Filter	Oil Filter
<b>2006 HONDA</b>				<b>2006 HONDA</b>			
S2000	2.2L L4 F/I	E-2435 ♦	HP-1004	VT1100C2 Shadow Sabre	1100	HA-1187	KN-303
SH125	125	HA-1510				HA-1187	KN-303C
SH150i	150	HA-1510					
ST1300	1300	HA-1302	KN-204	VTR1000 SP-2	1000	HA-5100	KN-204
		HA-1302	KN-204C			HA-5100	KN-204C
ST1300 Pan European	1300	HA-1302	KN-204	VTX1300C	1300	HA-1330	KN-204
						HA-1330	KN-204C
		HA-1302	KN-204C	VTX1300R	1300	HA-1330	KN-204
TRX90	90	HA-1088				HA-1330	KN-204C
TRX250EX	225	HA-2501		VTX1300S	1300	HA-1330	KN-204
TRX250TE Recon ES	250	HA-2501				HA-1330	KN-204C
TRX250TM Recon	250	HA-2501		VTX1800	1795	HA-1802	KN-204
TRX300EX	300	HA-3094	KN-113			HA-1802	KN-204C
TRX350FE Rancher 4x4 ES	350	HA-3500	KN-113	VTX1800F	1800		KN-204
							KN-204C
TRX350FM Rancher 4x4	350	HA-3500	KN-113	VTX1800N	1800		KN-204
							KN-204C
TRX350TE Rancher ES	350	HA-3500	KN-113	VTX1800R	1800		KN-204
							KN-204C
TRX350TM Rancher	350	HA-3500	KN-113	VTX1800S	1800		KN-204
TRX400EX	397	HA-4099	KN-113				KN-204C
TRX400FA Rancher AT	400	HA-3500	KN-111	XL125V Varadero	125		KN-113
TRX400FGA Rancher AT GPScape	397	HA-3500	KN-111	XL650V Transalp	650	HA-6501	KN-303
						HA-6501	KN-303C
TRX450ER	450	BD-6500	KN-116	XL1000 Varadero	1000	HA-1003	KN-204
TRX450R	450	BD-6500	KN-116			HA-1003	KN-204C
TRX500FA Foreman Rubicon	500	HA-5000	KN-111	XR650L	650	HA-6592	KN-112
TRX500FE Foreman 4x4 ES	500	HA-5000	KN-113	XR650R	650	HA-6500	KN-112
TRX500FGA Foreman Rubicon GPScape	500	HA-5000	KN-111	<b>2005 HONDA</b>			
TRX500FM Foreman 4x4	500	HA-5000	KN-113	919	919	HA-9002	KN-204
TRX500TM Foreman	500	HA-5000	KN-113			HA-9002	KN-204C
TRX680FA Rincon	680	HA-6806	KN-111	Accord	2.4L L4 F/I	33-2276 ♦	HP-1010
TRX680FGA Rincon GPScape	680	HA-6806	KN-111	Accord	3.0L V6 F/I	33-2277 ♦	HP-1010
VFR800F Interceptor	782	HA-8098	KN-204	Accord Hybrid	3.0L V6 F/I	33-2299	HP-1010
		HA-8098	KN-204C	Accord VIII	2.0L L4 F/I - Non-US	33-2276 ♦	HP-1010
			KN-113	Accord VIII	2.4L L4 F/I - Non-US	33-2276 ♦	HP-1010
VT125C Shadow	121		KN-113	ARX1200N2 Aquatrax R-12	1235		KN-204
VT600C Shadow VLX	600	HA-6199	KN-303				KN-204C
		HA-6199	KN-303C	ARX1200N3 Aquatrax F-12	1235		KN-204
VT600CD Shadow VLX Deluxe	600	HA-6199	KN-303				KN-204C
		HA-6199	KN-303C	ARX1200T2 Aquatrax R-12X	1235		KN-204
VT750 Shadow Aero	745	HA-7504	KN-204				KN-204C
		HA-7504	KN-204C	ARX1200T3 Aquatrax F-12X	1235		KN-204
VT750C Shadow Aero	750		KN-204				KN-204C
			KN-204C	ARX1200T3D Aquatrax F-12X GPScape	1235		KN-204
VT750C2 Shadow Spirit	750		KN-204				KN-204C
			KN-204C	CB600 Hornet	599	HA-6098	KN-204
VT750DC Shadow Spirit	750	HA-7500	KN-303			HA-6098	KN-204C
		HA-7500	KN-303C	CB600F	600		KN-204
VT1100C Shadow Spirit	1100	HA-1187	KN-303	CB600F Hornet	600		KN-204
		HA-1187	KN-303C				KN-204C
				CB900F Hornet	919	HA-9002	KN-204

\*Indicates 2 filters required      ♦ - Intake kit available      Applications updated daily at [knfilters.com](http://knfilters.com) ®

**Partial Listing - Complete List of Vehicles and Applications at [knfilters.com](http://knfilters.com)**

# HONDA

# AIR & OIL FILTERS

Vehicle	Engine Type	Air Filter	Oil Filter	Vehicle	Engine Type	Air Filter	Oil Filter
<b>2005 HONDA</b>				<b>2005 HONDA</b>			
CB900F Hornet	919	HA-9002	KN-204C	CRF250R	250	HA-4503XD	KN-116
CB1300 Super Four	1300	HA-1301	KN-204	CRF250X	250	HA-2505XD	KN-116
		HA-1301	KN-204C	CRF450R	444	HA-4503XD	KN-116
CB1300F	1300		KN-204	CRF450X	450	HA-2505XD	KN-116
			KN-204C	CR-V	2.4L L4 F/I	E-2429	HP-1010
CBF250	250		KN-113	CR-V II	2.0L L4 F/I	E-2429	
CBF500	500	HA-6098	KN-303	Element	2.4L L4 F/I	E-0771 ♦	HP-1010
		HA-6098	KN-303C	FJS600 Silver Wing	600	HA-6002	KN-204
CBF500 ABS	500		KN-303			HA-6002	KN-204C
			KN-303C	FMX650	650	HA-6505	KN-112
CBF600	599	HA-6098	KN-204	FR-V	1.7L L4 F/I	33-2243	
		HA-6098	KN-204C	FR-V	2.0L L4 F/I	E-2429	
CBF600F	600	HA-6098		FSC600 Silver Wing	582	HA-6002	KN-204
CBF600S	599	HA-6098	KN-204			HA-6002	KN-204C
		HA-6098	KN-204C	GL1800 Gold Wing	1800	HA-1801	KN-204
CBR125R	125	HA-1502				HA-1801	KN-204C
CBR600F	600	HA-6001	KN-204	HRV	1.6L L4 F/I	33-2104	
		HA-6001	KN-204C	Insight	1.0L L3 F/I	33-2180	HP-1008
CBR600F4i	600	HA-6001	KN-204	Jazz	1.2L L4 F/I - OEM	33-2917	
		HA-6001	KN-204C		17201PWA010		
CBR600RR	600	HA-6003	KN-204	Jazz	1.2L L4 F/I - OEM	33-2872	
		HA-6003	KN-204C		17220REAZ00		
CBR1000RR	1000	HA-1004	KN-204	Jazz	1.4L L4 F/I - OEM	33-2917 ♦	
		HA-1004	KN-204C		17201PWA010		
CBR1000RR	1000 - Race Specific	HA-1004R	KN-204	Jazz	1.4L L4 F/I - OEM	33-2872 ♦	
CBR1000RR	1000	HA-1004	KN-204		17220REAZ00		
Fireblade			KN-204	Legend	3.5L V6 F/I	33-2917	
		HA-1004	KN-204C	NES125	125	HA-1510	
CBR1000RR	1000 - Race Specific	HA-1004R	KN-204	NES150	150	HA-1510	
Fireblade			KN-204	NPS50 Ruckus	50	HA-0502	
CBR1000RR Repsol	1000	HA-1004	KN-204	NRX1800 Valkyrie	1832		KN-204
Edition			KN-204C	Rune			KN-204C
		HA-1004	KN-204C				
CBR1000RR Repsol	1000 - Race Specific	HA-1004R	KN-204	NSS250 Jazz	250	HA-2500-1	
Edition			KN-204	NSS250 Reflex	250	HA-2500-1	
CBR1100XX Super	1100	HA-1199	KN-303	NSS250S Reflex	250	HA-2500-1	
Blackbird			KN-303C	Sport			
		HA-1199	KN-303C	NSX	3.0L V6 F/I	33-2713	
CHF50 Metropolitan	50	HA-0502		NSX	3.2L V6 F/I	33-2713	
			HP-1010	NT650V Deauville	650		KN-303
Civic	1.3L L4 F/I	33-2338	HP-1010				KN-303C
Civic DX	1.7L L4 F/I	33-2192 ♦	HP-1010	Odyssey	3.5L V6 F/I	33-2309	HP-1010
Civic EX	1.7L L4 F/I	33-2192 ♦	HP-1010	Pilot	3.5L V6 F/I	33-2200	HP-1010
Civic GX	1.7L L4 F/I	33-2192 ♦	HP-1010	PS250 Big Ruckus	250	HA-2500-1	
Civic HX	1.7L L4 F/I	33-2192 ♦	HP-1010	RC51	990	HA-5100	KN-204
Civic LX	1.7L L4 F/I	33-2192 ♦	HP-1010			HA-5100	KN-204C
Civic Si	1.7L L4 F/I	33-2192 ♦	HP-1010	S2000	2.0L L4 F/I	E-2435 ♦	HP-1004
Civic Si	2.0L L4 F/I	E-2429 ♦	HP-1010	S2000	2.2L L4 F/I	E-2435 ♦	HP-1004
Civic Value Package	1.7L L4 F/I	33-2192 ♦	HP-1010	SH125	125	HA-1510	
Civic VI	1.3L L4 F/I		HP-1010	SH150	150	HA-1510	
Civic VI	1.4L L4 F/I	33-2243 ♦		SH150i	150	HA-1510	
Civic VI	1.6L L4 F/I - Exc., Sedan	33-2243 ♦		ST1300	1300	HA-1302	KN-204
Civic VI	1.7L L4 F/I	33-2192 ♦	HP-1010			HA-1302	KN-204C
Civic VI	2.0L L4 F/I	E-2429 ♦		ST1300 Pan European	1300	HA-1302	KN-204
Civic VII	1.3L L4 F/I		HP-1010			HA-1302	KN-204C
Civic VII	1.8L L4 F/I	33-2342 ♦		Stream	1.7L L4 F/I	33-2243	
CN250 Helix	250	HA-2586		Stream	2.0L L4 F/I	E-2429	
CR85R	86	HA-8086		TRX90	90	HA-1088	
CR85R Expert	86	HA-8086		TRX250EX	225	HA-2501	
CRF80F	80	HA-1088		TRX250TE Recon ES	250	HA-2501	
CRF100F	100	HA-1088		TRX250TM Recon	250	HA-2501	
CRF150F	150	HA-1503		TRX300EX	300	HA-3094	KN-113
CRF230F	230	HA-1503					

\*Indicates 2 filters required

♦ - Intake kit available

Applications updated daily at [knfilters.com](http://knfilters.com) ®



# AIR & OIL FILTERS

# HONDA

Vehicle	Engine Type	Air Filter	Oil Filter	Vehicle	Engine Type	Air Filter	Oil Filter
<b>2005 HONDA</b>				<b>2005 HONDA</b>			
TRX350FE Rancher 4x4 ES	350	HA-3500	KN-113	VTX1300S	1284	HA-1330	KN-204
TRX350FM Rancher 4x4	350	HA-3500	KN-113	VTX1800	1795	HA-1330 HA-1802	KN-204C KN-204
TRX350TE Rancher ES	350	HA-3500	KN-113	VTX1800F	1800	HA-1802	KN-204C KN-204
TRX350TM Rancher	325	HA-3500	KN-113	VTX1800N	1800		KN-204C KN-204
TRX400EX	397	HA-4099	KN-113	VTX1800R	1800		KN-204C KN-204
TRX400FA Rancher AT	400	HA-3500	KN-111	VTX1800S	1800		KN-204C KN-204
TRX400FGA Rancher AT GPScape	397	HA-3500	KN-111	XL125V Varadero	125		KN-204C KN-113
TRX450R	444	HA-4504	KN-116	XL650V Transalp	650	HA-6501	KN-303
TRX500FA Foreman Rubicon	500	HA-5000	KN-111	XL1000 Varadero	1000	HA-6501	KN-303C
TRX500FE Foreman 4x4 ES	500	HA-5000	KN-113			HA-1003	KN-204
TRX500FGA Foreman Rubicon	500	HA-5000	KN-111	XR650L	650	HA-1003	KN-204C
GPScape				XR650R	650	HA-6592	KN-112
TRX500FM Foreman 4x4	500	HA-5000	KN-113			HA-6500	KN-112
TRX500TM Foreman	500	HA-5000	KN-113	<b>2004 HONDA</b>			
TRX650FA Rincon	644	HA-5000	KN-111	599	599	HA-6098	KN-204
TRX650FGA Rincon	650	HA-5000	KN-111			HA-6098	KN-204C
GPScape				919	919	HA-9002	KN-204
VFR800F Interceptor	782	HA-8098	KN-204			HA-9002	KN-204C
		HA-8098	KN-204C	Accord	2.4L L4 F/I	33-2276 ♦	HP-1010
VT125C Shadow	121		KN-113	Accord	3.0L V6 F/I	33-2277 ♦	HP-1010
VT600C Shadow VLX	600	HA-6199	KN-303	Accord VIII	2.0L L4 F/I - Non-US	33-2276 ♦	
		HA-6199	KN-303C	Accord VIII	2.4L L4 F/I - Non-US	33-2276 ♦	HP-1010
VT600CD Shadow VLX Deluxe	600	HA-6199	KN-303	ARX1200N2 Aquatrax R-12	1235		KN-204
		HA-6199	KN-303C				KN-204C
VT750 Shadow Aero	750	HA-7504	KN-204	ARX1200N3 Aquatrax F-12	1235		KN-204
		HA-7504	KN-204C				KN-204C
VT750C Shadow Aero	750		KN-204	ARX1200T2 Aquatrax R-12X	1235		KN-204
			KN-204C				KN-204C
VT750C2 Shadow Spirit	750		KN-204	ARX1200T3 Aquatrax F-12X	1235		KN-204
			KN-204C				KN-204C
VT750DC Shadow Spirit	750	HA-7500	KN-303	CB600 Hornet	600	HA-6098	KN-204
		HA-7500	KN-303C			HA-6098	KN-204C
VT1100C Shadow Spirit	1100	HA-1187	KN-303	CB600F	600		KN-204
		HA-1187	KN-303C	CB600F Hornet	600		KN-204C
			KN-303				KN-204
VT1100C2 Shadow Sabre	1100	HA-1187	KN-303	CB900 Hornet	919	HA-9002	KN-204
		HA-1187	KN-303C			HA-9002	KN-204C
			KN-303	CB1300 Super Four	1300	HA-1301	KN-204
VTR1000 Firestorm	1000	HA-0011	KN-204			HA-1301	KN-204C
		HA-0011	KN-204C	CB1300F	1300		KN-204
VTR1000 SP-2	1000	HA-5100	KN-204				KN-204C
		HA-5100	KN-204C	CBF250	250		KN-113
VTR1000 Super Hawk	1000	HA-0011	KN-204	CBF500	500	HA-6098	KN-303
		HA-0011	KN-204C	CBF500 ABS	500	HA-6098	KN-303C
			KN-204				KN-303C
VTX1300C	1284	HA-1330	KN-204	CBF600	599	HA-6098	KN-204
		HA-1330	KN-204C			HA-6098	KN-204C
VTX1300R	1284	HA-1330	KN-204	CBF600S	599	HA-6098	KN-204
		HA-1330	KN-204C			HA-6098	KN-204C

\*Indicates 2 filters required      ♦ - Intake kit available      Applications updated daily at [knfilters.com](http://knfilters.com) ®

**Partial Listing - Complete List of Vehicles and Applications at [knfilters.com](http://knfilters.com)**

# HONDA

# AIR & OIL FILTERS

Vehicle	Engine Type	Air Filter	Oil Filter	Vehicle	Engine Type	Air Filter	Oil Filter
<b>2004 HONDA</b>				<b>2004 HONDA</b>			
CBR125R	125	HA-1502		Jazz	1.2L L4 F/I - OEM 17220REAZ00	33-2872	
CBR600F	600	HA-6001	KN-204	Jazz	1.4L L4 F/I - OEM 17201PWA010	33-2917 ♦	
		HA-6001	KN-204C	Jazz	1.4L L4 F/I - OEM 17220REAZ00	33-2872 ♦	
CBR600F4i	600	HA-6001	KN-204	Jazz	1.5L L4 F/I	33-2872	
		HA-6001	KN-204C	Jazz	3.5L V6 F/I	33-2179	
CBR600RR	600	HA-6003	KN-204	Legend	125	HA-1510	
		HA-6003	KN-204C	NES125	150	HA-1510	
CBR1000RR	1000	HA-1004	KN-204	NES150	50	HA-0502	
		HA-1004	KN-204C	NPS50 Ruckus	1832		KN-204
CBR1000RR	1000 - Race Specific	HA-1004R	KN-204	NRX1800 Valkyrie			KN-204C
CBR1000RR	1000	HA-1004	KN-204	Rune			
Fireblade		HA-1004	KN-204C				
				NSS250 Jazz	250	HA-2500-1	
CBR1000RR	1000 - Race Specific	HA-1004R	KN-204	NSS250 Reflex	250	HA-2500-1	
Fireblade				NSS250S Reflex	250	HA-2500-1	
CBR1100XX Super	1100	HA-1199	KN-303	Sport			
Blackbird		HA-1199	KN-303C	NSX	3.0L V6 F/I	33-2713	
				NSX	3.2L V6 F/I	33-2713	
CHF50 Metropolitan	50	HA-0502		NT650V Deauville	647		KN-303
Civic	1.3L L4 F/I	33-2338	HP-1010				KN-303C
Civic DX	1.7L L4 F/I	33-2192 ♦	HP-1010	Odyssey	3.5L V6 F/I	33-2174	HP-1004
		33-2192 ♦	HP-1010	Pilot	3.5L V6 F/I	33-2200	HP-1010
Civic EX	1.7L L4 F/I	33-2192 ♦	HP-1010	RC51	990	HA-5100	KN-204
		33-2192 ♦	HP-1010			HA-5100	KN-204C
Civic GX	1.7L L4 F/I	33-2192 ♦	HP-1010	S2000	2.0L L4 F/I	E-2435 ♦	HP-1004
Civic HX	1.7L L4 F/I	33-2192 ♦	HP-1010	S2000	2.2L L4 F/I	E-2435 ♦	HP-1004
		33-2192 ♦	HP-1010	SES125	125	HA-1510	
Civic LX	1.7L L4 F/I	33-2192 ♦	HP-1010	SES150	150	HA-1510	
		33-2192 ♦	HP-1010	SH125	125	HA-1510	
Civic Si	1.7L L4 F/I	33-2192 ♦	HP-1010	SH150	150	HA-1510	
		33-2192 ♦	HP-1010	ST1300	1300	HA-1302	KN-204
Civic Si	2.0L L4 F/I	E-2429 ♦	HP-1010			HA-1302	KN-204C
Civic Value Package	1.7L L4 F/I	33-2192 ♦	HP-1010	ST1300 Pan	1300	HA-1302	KN-204
		33-2192 ♦	HP-1010	European			
Civic VI	1.3L L4 F/I		HP-1010			HA-1302	KN-204C
Civic VI	1.4L L4 F/I	33-2243 ♦		Stream	1.7L L4 F/I	33-2243	
Civic VI	1.6L L4 F/I - Exc., Sedan	33-2243 ♦		Stream	2.0L L4 F/I	E-2429	
Civic VI	1.7L L4 F/I	33-2192 ♦	HP-1010	TRX90	90	HA-1088	
Civic VI	2.0L L4 F/I	E-2429 ♦		TRX250EX	225	HA-2501	
CN250 Helix	250	HA-2586		TRX250TE Recon ES	250	HA-2501	
CR85R	85	HA-8086		TRX250TM Recon	250	HA-2501	
CR85R Expert	85	HA-8086		TRX300EX	300	HA-3094	KN-113
CRF80F	80	HA-1088		TRX350FE Rancher	350	HA-3500	KN-113
CRF100F	100	HA-1088		4x4 ES			
CRF150F	150	HA-1503		TRX350FM Rancher	350	HA-3500	KN-113
CRF230F	230	HA-1503		4x4			
CRF250R	250	HA-4503XD	KN-116	TRX350TE Rancher	350	HA-3500	KN-113
CRF250X	250	HA-2505XD	KN-116	ES			
CRF450R	444	HA-4503XD	KN-116	TRX350TM Rancher	325	HA-3500	KN-113
CR-V	2.4L L4 F/I	E-2429 ♦	HP-1010	TRX400EX	397	HA-4099	KN-113
CR-V II	2.0L L4 F/I	E-2429		TRX400FA Rancher	400	HA-3500	KN-111
Element	2.4L L4 F/I	E-0771 ♦	HP-1010	AT			
FJS600 Silver Wing	600	HA-6002	KN-204	TRX400FGA Rancher	397	HA-3500	KN-111
		HA-6002	KN-204C	AT GPScape			
FSC600 Silver Wing	582	HA-6002	KN-204	TRX450FE Foreman	450	HA-3098	KN-113
		HA-6002	KN-204C	ES			
GL1800 Gold Wing	1800	HA-1801	KN-204	TRX450FM Foreman	450	HA-3098	KN-113
		HA-1801	KN-204C	S			
HRV	1.6L L4 F/I	33-2104		TRX450R	444	HA-4504	KN-116
Insight	1.0L L3 F/I	33-2180	HP-1008	TRX500FA Foreman	500	HA-5000	KN-111
Jazz	1.2L L4 F/I - OEM 17201PWA010	33-2917		Rubicon			
				TRX500FGA	500	HA-5000	KN-111
				Foreman Rubicon			
				GPScape			

\*Indicates 2 filters required

♦ - Intake kit available

Applications updated daily at [knfilters.com](http://knfilters.com) ®

# AIR & OIL FILTERS

# HONDA

Vehicle	Engine Type	Air Filter	Oil Filter	Vehicle	Engine Type	Air Filter	Oil Filter
<b>2004 HONDA</b>				<b>2003 HONDA</b>			
TRX650FA Rincon	644	HA-5000	KN-111	919	919	HA-9002	KN-204
TRX650FGA Rincon	650	HA-5000	KN-111			HA-9002	KN-204C
GPScape				Accord	2.4L L4 F/I	33-2276 ♦	HP-1010
VFR800F Interceptor	782	HA-8098	KN-204	Accord	3.0L V6 F/I	33-2277 ♦	HP-1010
		HA-8098	KN-204C	Accord VII	1.8L L4 F/I	33-2124	
VT125C Shadow	125		KN-113	Accord VII	2.0L L4 F/I	33-2124	
VT600C Shadow VLX	600	HA-6199	KN-303	Accord VII	3.0L V6 F/I	33-2133	HP-1004
		HA-6199	KN-303C	Accord VIII	2.0L L4 F/I - Non-US	33-2276 ♦	
VT600CD Shadow	600	HA-6199	KN-303	Accord VIII	2.4L L4 F/I - Non-US	33-2276 ♦	HP-1010
VLX Deluxe				ARX1200N3 Aquatrax	1235		KN-204
		HA-6199	KN-303C	F-12			KN-204C
VT750 Shadow Aero	750	HA-7504	KN-204				
		HA-7504	KN-204C	ARX1200T2 Aquatrax	1235		KN-204
VT750C Shadow Aero	750		KN-204	R-12X			KN-204C
			KN-204C				
VT750C2 Shadow Spirit	750		KN-204	ARX1200T3 Aquatrax	1235		KN-204
			KN-204C	F-12X			KN-204C
VT750DC Shadow Spirit	750		KN-303	CB600 Hornet	600	HA-6098	KN-303
			KN-303C			HA-6098	KN-303C
			KN-303C	CB600F Hornet	600		KN-204
VT1100C Shadow Spirit	1100	HA-1187	KN-303	CB600S Hornet	600		KN-204C
		HA-1187	KN-303C				KN-204
VT1100C2 Shadow Sabre	1100	HA-1187	KN-303	CB750 Nighthawk	750	HA-7591	KN-303
		HA-1187	KN-303C			HA-7591	KN-303C
			KN-303C	CB900 Hornet	919	HA-9002	KN-204
VTR1000 Firestorm	1000	HA-0011	KN-204	CB1100 SF X-Eleven	1100	HA-9002	KN-204C
		HA-0011	KN-204C				KN-303
VTR1000 SP-2	1000	HA-5100	KN-204	CB1300 Super Four	1300	HA-1301	KN-204
		HA-5100	KN-204C			HA-1301	KN-204C
VTR1000 Super Hawk	1000	HA-0011	KN-204	CB1300F	1300		KN-204
		HA-0011	KN-204C				KN-204C
VTX1300 Retro	1284	HA-1330	KN-204	CBR125R	125	HA-1502	KN-204
		HA-1330	KN-204C	CBR600F	600	HA-6001	KN-204
VTX1300C	1284	HA-1330	KN-204	CBR600F4i	600	HA-6001	KN-204C
		HA-1330	KN-204C			HA-6001	KN-204
VTX1300S	1284	HA-1330	KN-204	CBR600RR	600	HA-6003	KN-204
		HA-1330	KN-204C			HA-6003	KN-204C
VTX1800	1795	HA-1802	KN-204	CBR900RR Fireblade	900	HA-9502	KN-204
		HA-1802	KN-204C			HA-9502	KN-204C
VTX1800 Retro	1795		KN-204	CBR954RR	954	HA-9502	KN-204
			KN-204C			HA-9502	KN-204C
VTX1800N	1800		KN-204	CBR1100XX Blackbird	1100	HA-1199	KN-303
			KN-204C				
VTX1800S	1800		KN-204	CHF50 Metropolitan	50	HA-0502	
			KN-204C	Civic	1.3L L4 F/I	33-2338	HP-1010
XL125V Varadero	125		KN-113	Civic DX	1.7L L4 F/I	33-2192 ♦	HP-1010
XL650V Transalp	650	HA-6501	KN-303	Civic EX	1.7L L4 F/I	33-2192 ♦	HP-1010
		HA-6501	KN-303C			33-2192 ♦	HP-1010
XL1000 Varadero	1000	HA-1003	KN-204	Civic GX	1.7L L4 F/I	33-2192 ♦	HP-1010
		HA-1003	KN-204C	Civic HX	1.7L L4 F/I	33-2192 ♦	HP-1010
XR250 Super	250		KN-112	Civic LX	1.7L L4 F/I	33-2192 ♦	HP-1010
XR250R	250	HA-1312	KN-112			33-2192 ♦	HP-1010
XR400R	397	HA-1314	KN-112	Civic Si	1.7L L4 F/I	33-2192 ♦	HP-1010
XR440 R/SM	440		KN-112	Civic Si	2.0L L4 F/I	E-2429 ♦	HP-1010
XR650L	650	HA-6592	KN-112	Civic VI	1.4L L4 F/I	33-2243 ♦	HP-1010
XR650R	650	HA-6500	KN-112				

\*Indicates 2 filters required      ♦ - Intake kit available      Applications updated daily at [knfilters.com](http://knfilters.com) ®

**Partial Listing - Complete List of Vehicles and Applications at [knfilters.com](http://knfilters.com)**

# HONDA

# AIR & OIL FILTERS

Vehicle	Engine Type	Air Filter	Oil Filter	Vehicle	Engine Type	Air Filter	Oil Filter
<b>2003 HONDA</b>				<b>2003 HONDA</b>			
Civic VI	1.6L L4 F/I - Exc., Sedan	33-2243 ♦		TRX350TE Rancher ES	350	HA-3500	KN-113
Civic VI	1.7L L4 F/I	33-2192 ♦	HP-1010	TRX350TM Rancher	325	HA-3500	KN-113
Civic VI	2.0L L4 F/I	E-2429 ♦		TRX400EX	397	HA-4099	KN-113
CR85R	85	HA-8086		TRX400FW Foreman 4x4	395	HA-3098	KN-113
CR85R Expert	85	HA-8086		TRX450FE Foreman ES	433	HA-3098	KN-113
CRF150F	150	HA-1503		TRX450FM Foreman S	433	HA-3098	KN-113
CRF230F	230	HA-1503		TRX450FM Foretrax Foreman	450		KN-113
CRF450R	450	HA-4503XD	KN-116	TRX500FA Foreman Rubicon	500	HA-5000	KN-111
CR-V	2.4L L4 F/I	E-2429 ♦	HP-1010	TRX650FA Rincon	644	HA-5000	KN-111
CR-V II	2.0L L4 F/I	E-2429		VF750C Magna	750	HA-7594	KN-303
Element	2.4L L4 F/I	E-0771 ♦	HP-1010	VFR800F Interceptor	782	HA-8098	KN-204
FJS600 Silver Wing	600	HA-6002	KN-204	VT125C Shadow	125	HA-8098	KN-204C
		HA-6002	KN-204C	VT600C Shadow VLX	600	HA-6199	KN-303
FSC600 Silver Wing	582	HA-6002	KN-204	VT600CD Shadow VLX Deluxe	600	HA-6199	KN-303C
		HA-6002	KN-204C			HA-6199	KN-303C
GL1500C Valkyrie	1500	HA-1596	KN-303	VT750CD Shadow A.C.E. Deluxe	750	HA-7500	KN-303
		HA-1596	KN-303C			HA-7500	KN-303C
GL1800 Gold Wing	1800	HA-1801	KN-204	VT750DC Shadow Spirit	750	HA-7500	KN-303C
		HA-1801	KN-204C			HA-7500	KN-303C
HRV	1.6L L4 F/I	33-2104		VT1100C Shadow Spirit	1100	HA-1187	KN-303
Insight	1.0L L3 F/I	33-2180	HP-1008			HA-1187	KN-303C
Jazz	1.2L L4 F/I - OEM 17201PWA010	33-2917		VT1100C2 Shadow Sabre	1100	HA-1187	KN-303C
Jazz	1.2L L4 F/I - OEM 17220REAZ00	33-2872				HA-1187	KN-303C
Jazz	1.4L L4 F/I - OEM 17201PWA010	33-2917 ♦		VTR1000 Firestorm	1000	HA-0011	KN-303
Jazz	1.4L L4 F/I - OEM 17220REAZ00	33-2872 ♦		VTR1000 SP-2	1000	HA-0011	KN-303C
Legend	3.5L V6 F/I	33-2179		VTR1000 Super Hawk	1000	HA-5100	KN-204
NES125	125	HA-1510				HA-0011	KN-204C
NES150	150	HA-1510		VTX1300S	1284	HA-1330	KN-204
NPS50 Ruckus	50	HA-0502		VTX1800	1795	HA-1330	KN-204C
NSS250 Jazz	250	HA-2500-1		VTX1800 Retro	1795	HA-1802	KN-204
NSS250 Reflex	250	HA-2500-1				HA-1802	KN-204C
NSX	3.0L V6 F/I	33-2713		VTX1800S	1800		KN-204
NSX	3.2L V6 F/I	33-2713		XL125V Varadero	125		KN-204C
NT650V Deauville	647		KN-303	XL650V Transalp	650	HA-6501	KN-303
			KN-303C			HA-6501	KN-303C
Odyssey	3.5L V6 F/I	33-2174	HP-1004	XL1000 Varadero	1000	HA-1003	KN-204
Pilot	3.5L V6 F/I	33-2200	HP-1004			HA-1003	KN-204C
RC51	990	HA-5100	KN-204	XR80R	80	HA-1088	
		HA-5100	KN-204C	XR100R	100	HA-1088	
S2000	2.0L L4 F/I	E-2435 ♦	HP-1004	XR250 Super	250		KN-112
SES125	125	HA-1510		XR250R	250	HA-1312	KN-112
SES150	150	HA-1510		XR400R	400	HA-1314	KN-112
SH125	125	HA-1510					
SH150	150	HA-1510					
ST1300	1300	HA-1302	KN-204				
		HA-1302	KN-204C				
ST1300 Pan European	1300	HA-1302	KN-204				
		HA-1302	KN-204C				
Stream	1.7L L4 F/I	33-2243					
Stream	2.0L L4 F/I	E-2429					
TRX90	90	HA-1088					
TRX250EX	225	HA-2501					
TRX250TE Recon ES	250	HA-2501					
TRX250TM Recon	250	HA-2501					
TRX300EX	300	HA-3094	KN-113				
TRX350FE Rancher 4x4 ES	350	HA-3500	KN-113				
TRX350FM Rancher 4x4	350	HA-3500	KN-113				

\*Indicates 2 filters required

♦ - Intake kit available

Applications updated daily at [knfilters.com](http://knfilters.com) ®

# AIR & OIL FILTERS

# HONDA

Vehicle	Engine Type	Air Filter	Oil Filter	Vehicle	Engine Type	Air Filter	Oil Filter
<b>2003 HONDA</b>				<b>2002 HONDA</b>			
XR440 R/SM	440		KN-112	Civic Si	1.7L L4 F/I	33-2192 ♦	HP-1010
XR650L	650	HA-6592	KN-112	Civic Si	2.0L L4 F/I	E-2429 ♦	HP-1010
XR650R	650	HA-6500	KN-112	Civic VI	1.4L L4 F/I	33-2243 ♦	
XR750 Africa Twin	742	HA-0008	KN-303	Civic VI	1.6L L4 F/I - Exc., Sedan	33-2243 ♦	
		HA-0008	KN-303C	Civic VI	1.7L L4 F/I	33-2192 ♦	HP-1010
<b>2002 HONDA</b>				Civic VI	2.0L L4 F/I	E-2429 ♦	
919	919	HA-9002	KN-204	CR80R	82	HA-8086	
		HA-9002	KN-204C	CRF450R	450	HA-4502	KN-116
Accord	2.3L L4 F/I	33-2124	HP-1004	CR-V	2.4L L4 F/I	E-2429 ♦	HP-1010
Accord	3.0L V6 F/I	33-2133 ♦	HP-1004	CR-V I	2.0L L4 F/I	33-2104	
Accord VII	1.8L L4 F/I	33-2124		CR-V II	2.0L L4 F/I	E-2429	
Accord VII	2.0L L4 F/I	33-2124		FJS600 Silver Wing	600	HA-6002	KN-204
Accord VII	2.2L L4 F/I	33-2124 ♦				HA-6002	KN-204C
Accord VII	3.0L V6 F/I	33-2133	HP-1004	FSC600 Silver Wing	582	HA-6002	KN-204
ARX1200N3 Aquatrax F-12	1235		KN-204			HA-6002	KN-204C
			KN-204C	FX650 Vigor	650		KN-112
			KN-204C	GL1500C Valkyrie	1520	HA-1596	KN-303
			KN-204			HA-1596	KN-303C
ARX1200T3 Aquatrax F-12X	1235		KN-204	GL1800 Gold Wing	1800	HA-1801	KN-204
			KN-204C			HA-1801	KN-204C
CB400 Super Four	400		KN-303	HRV	1.6L L4 F/I	33-2104	
			KN-303C	Insight	1.0L L3 F/I	33-2180	HP-1008
CB500	502		KN-303	Jazz	1.2L L4 F/I - OEM 17201PWA010	33-2917	
			KN-303C	Jazz	1.2L L4 F/I - OEM 17220REAZ00	33-2872	
CB600 Hornet	600	HA-6098	KN-303	Jazz	1.4L L4 F/I - OEM 17201PWA010	33-2917 ♦	
		HA-6098	KN-303C	Jazz	1.4L L4 F/I - OEM 17220REAZ00	33-2872 ♦	
CB600S Hornet	600		KN-303	Legend	3.5L V6 F/I	33-2179	
			KN-303C	NES125	125	HA-1510	
CB750 Nighthawk	750	HA-7591	KN-303	NES150	150	HA-1510	
		HA-7591	KN-303C	NSS250 Jazz	250	HA-2500-1	
CB750 Seven Fifty	750		KN-303	NSS250 Reflex	250	HA-2500-1	
			KN-303C	NSX	3.0L V6 F/I	33-2713	
CB900 Hornet	919	HA-9002	KN-204	NSX	3.2L V6 F/I	33-2713	
		HA-9002	KN-204C	NT650V Deauville	647		KN-303
CB1100 SF X-Eleven	1100		KN-303				KN-303C
			KN-303C	NX650 Dominator	650		KN-112
CB1300 Super Four	1300	HA-1301		Odyssey	3.5L V6 F/I	33-2174	HP-1004
CBR150R	150	HA-1502		Passport	3.2L V6 F/I	33-2108	HP-1004
CBR600 Sport	600		KN-204	RC51	990	HA-5100	KN-204
			KN-204C			HA-5100	KN-204C
CBR600F	600	HA-6001	KN-204	RS125 Nova Sonic	125	HA-1202	
		HA-6001	KN-204C	S2000	2.0L L4 F/I	E-2435 ♦	HP-1004
CBR600F4i	600	HA-6001	KN-204	SES125	125	HA-1510	
		HA-6001	KN-204C	SES150	150	HA-1510	
CBR900RR Fireblade	900	HA-9502	KN-303	SH125	125	HA-1510	
		HA-9502	KN-303C	SH150	150	HA-1510	
CBR954RR	954	HA-9502	KN-204	ST1100	1100	HA-1191	KN-303
		HA-9502	KN-204C			HA-1191	KN-303C
CBR1100XX Blackbird	1100	HA-1199	KN-303	ST1300	1300	HA-1302	KN-204
		HA-1199	KN-303C			HA-1302	KN-204C
CHF50 Metropolitan	50	HA-0502		ST1300 Pan European	1300	HA-1302	KN-204
Civic DX	1.7L L4 F/I	33-2192 ♦	HP-1010			HA-1302	KN-204C
		33-2192 ♦	HP-1010	Stream	1.7L L4 F/I	33-2243	
Civic EX	1.7L L4 F/I	33-2192 ♦	HP-1010	Stream	2.0L L4 F/I	E-2429	
		33-2192 ♦	HP-1010	TRX90	90	HA-1088	
Civic GX	1.7L L4 F/I	33-2192 ♦	HP-1010	TRX250EX	225	HA-2501	
Civic HX	1.7L L4 F/I	33-2192 ♦	HP-1010	TRX250TE Recon ES	250	HA-2501	
		33-2192 ♦	HP-1010	TRX250TM Recon	250	HA-2501	
Civic LX	1.7L L4 F/I	33-2192 ♦	HP-1010	TRX300EX	300	HA-3094	KN-113
		33-2192 ♦	HP-1010				
Civic Si	1.7L L4 F/I	33-2192 ♦	HP-1010				

\*Indicates 2 filters required

♦ - Intake kit available

Applications updated daily at [knfilters.com](http://knfilters.com) ®

**Partial Listing - Complete List of Vehicles and Applications at [knfilters.com](http://knfilters.com)**

# HONDA

# AIR & OIL FILTERS

Vehicle	Engine Type	Air Filter	Oil Filter	Vehicle	Engine Type	Air Filter	Oil Filter
<b>2002 HONDA</b>				<b>2002 HONDA</b>			
TRX350 EX Sportrax	350		KN-113	VTX1800S	1800		KN-204
TRX350FE Rancher 4x4 ES	350	HA-3500	KN-113				KN-204C
TRX350FM Rancher 4x4	350	HA-3500	KN-113	XL125V Varadero	125		KN-113
TRX350TE Rancher ES	350	HA-3500	KN-113	XL650V Transalp	650	HA-6501	KN-303
TRX350TM Rancher	325	HA-3500	KN-113			HA-6501	KN-303C
TRX400EX	397	HA-4099	KN-113	XL1000 Varadero	1000	HA-0011	KN-303
TRX400FW Foreman 4x4	395	HA-3098	KN-113			HA-0011	KN-303C
TRX450FE Foreman ES	433	HA-3098	KN-113	XR80R	80	HA-1088	
TRX450FM Foreman S	450	HA-3098	KN-113	XR100R	100	HA-1088	
TRX450S Foreman S	450		KN-113	XR200R	200	HA-2584	KN-112
TRX500FA Foreman Rubicon	500	HA-5000	KN-111	XR250 Super	250		KN-112
VF750C Magna	750	HA-7594	KN-303	XR250R	250	HA-1312	KN-112
		HA-7594	KN-303C	XR400R	400	HA-1314	KN-112
VFR800F Interceptor	782	HA-8098	KN-204	XR440 R/SM	440		KN-112
		HA-8098	KN-204C	XR600R	600		KN-112
VT125C Shadow	125		KN-113	XR650L	650	HA-6592	KN-112
VT600C Shadow VLX	600	HA-6199	KN-303	XR650R	650	HA-6500	KN-112
		HA-6199	KN-303C	XR750 Africa Twin	742	HA-0008	KN-303
VT600CD Shadow VLX Deluxe	600	HA-6199	KN-303			HA-0008	KN-303C
		HA-6199	KN-303C	<b>2001 HONDA</b>			
VT750C Shadow	750		KN-303	Accord	2.3L L4 F/I	33-2124	HP-1004
			KN-303C	Accord	3.0L V6 F/I	33-2133 ♦	HP-1004
VT750CD Shadow A.C.E. Deluxe	750	HA-7500	KN-303	Accord VII	1.8L L4 F/I	33-2124	
		HA-7500	KN-303C	Accord VII	2.0L L4 F/I	33-2124	
VT750DC Shadow Spirit	750	HA-7500	KN-303	Accord VII	2.2L L4 F/I	33-2124 ♦	
		HA-7500	KN-303C	Accord VII	3.0L V6 F/I	33-2133	HP-1004
VT1100C Shadow Spirit	1100	HA-1187	KN-303	CB500	502		KN-303
		HA-1187	KN-303C				KN-303C
VT1100C2 Shadow Sabre	1100	HA-1187	KN-303	CB600 Hornet	600	HA-6098	KN-303
		HA-1187	KN-303C			HA-6098	KN-303C
VT1100C3 Shadow Aero	1100	HA-1187	KN-303	CB600S Hornet	600		KN-303
		HA-1187	KN-303C				KN-303C
VT1100T Shadow A.C.E. Tourer	1100		KN-303	CB750 Nighthawk	750	HA-7591	KN-303
			KN-303C			HA-7591	KN-303C
VTR1000 Firestorm	1000	HA-0011	KN-303	CB750 Seven Fifty	750		KN-303
		HA-0011	KN-303C				KN-303C
VTR1000 SP-1	1000	HA-5100	KN-204	CB1100SF	1100	HA-1199	KN-303
		HA-5100	KN-204C			HA-1199	KN-303C
VTR1000 SP-2	1000	HA-5100	KN-204	CB1300 Super Four	1300	HA-1301	
		HA-5100	KN-204C	CBR600 Sport	600		KN-204
VTR1000 Super Hawk	1000	HA-0011	KN-204				KN-204C
		HA-0011	KN-204C	CBR600F	600	HA-6001	KN-204
VTX1800	1795	HA-1802	KN-204			HA-6001	KN-204C
		HA-1802	KN-204C	CBR600F4i	600	HA-6001	KN-204
VTX1800 Retro	1795		KN-204			HA-6001	KN-204C
			KN-204C	CBR900RR Fireblade	900	HA-9200	KN-303
			KN-204C			HA-9200	KN-303C
			KN-204C	CBR929RR	929	HA-9200	KN-204
			KN-204C			HA-9200	KN-204C
			KN-204C	CBR1100XX Blackbird	1100	HA-1199	KN-303
			KN-204C			HA-1199	KN-303C
			KN-204C	Civic DX	1.7L L4 F/I	33-2192 ♦	HP-1010
			KN-204C			33-2192 ♦	HP-1010
			KN-204C	Civic EX	1.7L L4 F/I	33-2192 ♦	HP-1010
			KN-204C			33-2192 ♦	HP-1010
			KN-204C	Civic GX	1.7L L4 F/I	33-2192 ♦	HP-1010
			KN-204C	Civic HX	1.7L L4 F/I	33-2192 ♦	HP-1010
			KN-204C			33-2192 ♦	HP-1010
			KN-204C	Civic LX	1.7L L4 F/I	33-2192 ♦	HP-1010
			KN-204C			33-2192 ♦	HP-1010
			KN-204C	Civic V	1.4L L4 F/I - D14A3 Eng, D14A4 Eng.	33-2036 ♦	

\*Indicates 2 filters required

♦ - Intake kit available

Applications updated daily at [knfilters.com](http://knfilters.com) ®

# AIR & OIL FILTERS

# HONDA

Vehicle	Engine Type	Air Filter	Oil Filter	Vehicle	Engine Type	Air Filter	Oil Filter
<b>2001 HONDA</b>				<b>2001 HONDA</b>			
Civic V	1.4L L4 F/I - D14A7 Eng., D14A8 Eng.	33-2047 ♦		RC51	990	HA-5100	KN-204C
Civic V	1.5L L4 F/I - 3/4-Door	33-2104 ♦		RS125 Nova Sonic	125	HA-1202	
Civic V	1.5L L4 F/I - 5-door & AeroDeck	33-2047 ♦		S2000	2.0L L4 F/I	E-2435 ♦	HP-1004
Civic V	1.6L L4 F/I - 105BHP	33-2036 ♦		SH125	125	HA-1510	
Civic V	1.6L L4 F/I - 114/160BHP	33-2104 ♦		SH150	150	HA-1510	
Civic V	1.6L L4 F/I - 116/125BHP	33-2047 ♦		Shuttle	2.3L L4 F/I	33-2071	
Civic V	1.8L L4 F/I	33-2234 ♦		ST1100	1100	HA-1191	KN-303
Civic V	2.0L L4 DSL	33-2761		ST1100 ABS II	1100	HA-1191	KN-303C
Civic VI	1.4L L4 F/I	33-2243 ♦		Stream	1.7L L4 F/I	33-2243	
Civic VI	1.6L L4 F/I - Exc., Sedan	33-2243 ♦		Stream	2.0L L4 F/I	E-2429	
Civic VI	1.7L L4 F/I	33-2192 ♦	HP-1010	TRX90	90	HA-1088	
Civic VI	2.0L L4 F/I	E-2429 ♦		TRX250 Recon	250	HA-2597	
CN250 Helix	250	HA-2586		TRX250EX	225	HA-2501	
CR125R	125	HA-2591		TRX300 Fourtrax	280	HA-3098	KN-113
CR250R	250	HA-2591		TRX300EX	300	HA-3094	KN-113
CR500R	500	HA-2591		TRX300FW Fourtrax 4x4	300		KN-113
CR80R	82	HA-8086		TRX350FE Rancher 4x4 ES	350	HA-3500	KN-113
CR-V	2.0L L4 F/I	33-2104	HP-1004	TRX350FM Rancher 4x4	350	HA-3500	KN-113
CR-V I	2.0L L4 F/I	33-2104	HP-1004	TRX350TE Rancher ES	350	HA-3500	KN-113
FJS600 Silver Wing	600	HA-6002	KN-204	TRX350TM Rancher	350	HA-3500	KN-113
FSC600 Silver Wing	600	HA-6002	KN-204C	TRX400EX	395	HA-4099	KN-113
FX650 Vigor	650		KN-112	TRX400EX	397	HA-4099	KN-113
GL1500 Black Widow	1500		KN-303	TRX400FW Foreman 4x4	395	HA-3098	KN-113
GL1500 Valkyrie Interstate	1520	HA-1596	KN-303	TRX450ES Foreman ES	433	HA-3098	KN-113
GL1500C Valkyrie	1520	HA-1596	KN-303C	TRX450S Foreman S	450	HA-3098	KN-113
GL1500SE Gold Wing SE	1500	HA-1596	KN-303C	TRX500FA Foreman Rubicon	500	HA-5000	KN-111
GL1800 Gold Wing	1800	HA-1801	KN-204	VF750C Magna	750	HA-7594	KN-303
HRV	1.6L L4 F/I	33-2104	KN-204C	VFR800F Interceptor	782	HA-7594	KN-303C
Insight	1.0L L3 F/I	33-2180	HP-1008	VT125C Shadow	125	HA-8098	KN-303
Integra Type R	1.8L L4 F/I	E-2427		VT600C Shadow VLX	600	HA-8098	KN-303C
Jazz	1.4L L4 F/I - OEM 17201PWA010	33-2917		VT600CD Shadow VLX Deluxe	600	HA-6199	KN-303
Jazz	1.4L L4 F/I - OEM 17220REAZ00	33-2872		VT750 C2 Shadow	750	HA-6199	KN-303C
Legend	3.5L V6 F/I	33-2179		VT750C Shadow	750	HA-6199	KN-303
NES125	125	HA-1510		VT750CD Shadow A.C.E. Deluxe	750	HA-7500	KN-303C
NES150	150	HA-1510		VT750DC Shadow Spirit	750	HA-7500	KN-303
NES250 Jazz	250	HA-2500-1		VT1100C Shadow Spirit	1100	HA-7500	KN-303C
NSR150	150	HA-1598		VT1100C Shadow Spirit	1100	HA-1187	KN-303
NSS250 Forza	250	HA-2500-1		VT1100C2 Shadow Sabre	1100	HA-1187	KN-303
NSS250 Jazz	250	HA-2500-1		VT1100C3 Shadow Aero	1100	HA-1187	KN-303C
NSS250 Reflex	250	HA-2500-1					
NSX	3.0L V6 F/I	33-2713					
NSX	3.2L V6 F/I	33-2713					
NT650V Deauville	647		KN-303				
NX650 Dominator	650		KN-303C				
Odyssey	3.5L V6 F/I	33-2174	KN-112				
Passport	3.2L V6 F/I	33-2108	HP-1004				
Prelude	2.2L L4 F/I	33-2090	HP-1004				
Prelude V	2.2L L4 F/I		HP-1004				
RC51	990	HA-5100	KN-204				

\*Indicates 2 filters required      ♦ - Intake kit available      Applications updated daily at [knfilters.com](http://knfilters.com) ®

**Partial Listing - Complete List of Vehicles and Applications at [knfilters.com](http://knfilters.com)**

# HONDA

# AIR & OIL FILTERS

Vehicle	Engine Type	Air Filter	Oil Filter	Vehicle	Engine Type	Air Filter	Oil Filter
<b>2001 HONDA</b>				<b>2000 HONDA</b>			
VT1100C3 Shadow Aero	1100	HA-1187	KN-303C	Civic CX	1.6L L4 F/I	33-2120	HP-1004
VT1100T Shadow A.C.E. Tourer	1100	HA-1187	KN-303	Civic DX	1.6L L4 F/I	33-2120	HP-1004
		HA-1187	KN-303C	Civic EX	1.6L L4 F/I	33-2104 ♦	HP-1004
VTR1000 Firestorm	1000	HA-0011	KN-303	Civic GX	1.6L L4 F/I	33-2104	HP-1004
		HA-0011	KN-303C	Civic HX	1.6L L4 F/I	33-2104	HP-1004
VTR1000 SP-1	1000	HA-5100	KN-204	Civic LX	1.6L L4 F/I	33-2120	HP-1004
		HA-5100	KN-204C	Civic Si	1.6L L4 F/I	33-2104 ♦	HP-1004
VTR1000 Super Hawk	1000	HA-0011	KN-204	Civic V	1.4L L4 F/I - D14A3 Eng, D14A4 Eng.	33-2036 ♦	
		HA-0011	KN-204C	Civic V	1.4L L4 F/I - D14A7 Eng., D14A8 Eng.	33-2047 ♦	
X-11	1137	HA-1199	KN-303	Civic V	1.5L L4 F/I - 3/4-Door	33-2104 ♦	
		HA-1199	KN-303C	Civic V	1.5L L4 F/I - 5-door & AeroDeck	33-2047 ♦	
XL125V Varadero	125		KN-113	Civic V	1.6L L4 F/I - 105BHP	33-2036 ♦	
XL650V Transalp	650	HA-6501	KN-303	Civic V	1.6L L4 F/I - 114/160BHP	33-2104 ♦	
		HA-6501	KN-303C	Civic V	1.6L L4 F/I - 116/125BHP	33-2047 ♦	
XL1000 Varadero	1000	HA-0011	KN-303	Civic V	1.8L L4 F/I	33-2234 ♦	
		HA-0011	KN-303C	CN250 Helix	2.0L L4 DSL	33-2761	
XR80R	80	HA-1088		CR125R	250	HA-2586	
XR100R	100	HA-1088		CR250R	250	HA-2591	
XR200R	200	HA-2584	KN-112	CR500R	500	HA-2591	
XR250 Super	250		KN-112	CR80R	82	HA-8086	
XR250R	250	HA-1312	KN-112	CR-V	2.0L L4 F/I	33-2104	HP-1004
XR400R	400	HA-1314	KN-112	CR-V I	2.0L L4 F/I	33-2104	HP-1004
XR440 R/SM	440		KN-112	FX650 Vigor	650		KN-112
XR600R	600		KN-112	GL1500 Valkyrie Interstate	1520	HA-1596	KN-303
XR650L	650	HA-6592	KN-112			HA-1596	KN-303C
XR650R	650	HA-6500	KN-112	GL1500A Gold Wing Aspencade	1520	HA-8088	KN-303
XR750 Africa Twin	742	HA-0008	KN-303			HA-8088	KN-303C
		HA-0008	KN-303C	GL1500C Valkyrie	1520	HA-1596	KN-303
<b>2000 HONDA</b>						HA-1596	KN-303C
Accord	2.3L L4 F/I	33-2124	HP-1004	GL1500CT Valkyrie Tourer	1520	HA-1596	KN-303
Accord	3.0L V6 F/I	33-2133 ♦	HP-1004			HA-1596	KN-303C
Accord VII	1.8L L4 F/I	33-2124		GL1500SE Gold Wing SE	1520	HA-8088	KN-303
Accord VII	2.0L L4 F/I	33-2124				HA-8088	KN-303C
Accord VII	2.2L L4 F/I	33-2124 ♦		HRV	1.6L L4 F/I	33-2104	
Accord VII	3.0L V6 F/I	33-2133	HP-1004	Insight	1.0L L3 F/I	33-2180	HP-1008
CB400 VTEC	400	HA-4098		Integra Type R	1.8L L4 F/I	E-2427	
CB400SF	400	HA-4020		Legend	3.5L V6 F/I	33-2179	
CB500	502		KN-303	NES125	125	HA-1510	
			KN-303C	NES150	150	HA-1510	
CB600 Hornet	600	HA-6098	KN-303	NSR150	150	HA-1598	
		HA-6098	KN-303C	NSS250 Forza	250	HA-2500-1	
CB600S Hornet	600		KN-303	NSX	3.0L V6 F/I	33-2713	
			KN-303C	NSX	3.2L V6 F/I	33-2713	
CB750 F2	750		KN-303	NT650V Deauville	647		KN-303
			KN-303C				KN-303C
CB750 Nighthawk	750	HA-7591	KN-303	NX650 Dominator	650	HA-0001	KN-112
		HA-7591	KN-303C	Odyssey	3.5L V6 F/I	33-2174	HP-1004
CB1100SF	1100	HA-1199	KN-303	Passport	3.2L V6 F/I	33-2108	HP-1004
		HA-1199	KN-303C	Phantom 200	200	HA-2000	
CBR600F4	600	HA-6099	KN-303	Prelude	2.2L L4 F/I	33-2090	HP-1004
		HA-6099	KN-303C	Prelude V	2.0L L4 F/I	33-2090	
CBR900RR Fireblade	900	HA-9200	KN-303	Prelude V	2.2L L4 F/I	33-2090	HP-1004
		HA-9200	KN-303C	RC51	990	HA-5100	KN-204
CBR929RR	929	HA-9200	KN-204			HA-5100	KN-204C
		HA-9200	KN-204C				
CBR1100XX Blackbird	1100	HA-1199	KN-303				
		HA-1199	KN-303C				
CBX250 RSE	250		KN-112				

\*Indicates 2 filters required

♦ - Intake kit available

Applications updated daily at [knfilters.com](http://knfilters.com) ®



# AIR & OIL FILTERS

# HONDA

Vehicle	Engine Type	Air Filter	Oil Filter	Vehicle	Engine Type	Air Filter	Oil Filter
<b>2000 HONDA</b>				<b>2000 HONDA</b>			
S2000	2.0L L4 F/I	E-2435 ♦	HP-1004	VT1100C3 Shadow Aero	1100	HA-1187	KN-303
Shuttle	2.3L L4 F/I	33-2071				HA-1187	KN-303C
SLR650	650		KN-112				
ST1100	1100	HA-1191	KN-303	VT1100T Shadow A.C.E. Tourer	1100	HA-1187	KN-303
ST1100 ABS II	1100	HA-1191	KN-303C			HA-1187	KN-303C
ST1100 Pan European	1100	HA-1191	KN-303C	VTR1000 Firestorm	1000	HA-0011	KN-303
			KN-303			HA-0011	KN-303C
			KN-303C	VTR1000 SP-1	1000	HA-5100	KN-303
TRX90	90	HA-1088				HA-5100	KN-303C
TRX250 Recon	250	HA-2597		VTR1000 Super Hawk	1000	HA-0011	KN-204
TRX300 Fourtrax	280	HA-3098	KN-113			HA-0011	KN-204C
TRX300EX	300	HA-3094	KN-113				
TRX300FW Fourtrax 4x4	300	HA-3098	KN-113	X-11	1137	HA-1199	KN-303
TRX350FE Rancher 4x4 ES	350	HA-3500	KN-113			HA-1199	KN-303C
TRX350FM Rancher 4x4	350	HA-3500	KN-113	XL600V Transalp	583		KN-303
TRX350TE Rancher ES	350	HA-3500	KN-113				KN-303C
TRX350TM Rancher	350	HA-3500	KN-113	XL650V Transalp	650	HA-6501	KN-303
TRX400EX	395	HA-4099	KN-113			HA-6501	KN-303C
TRX400EX	397	HA-4099	KN-113	XL1000 Varadero	1000	HA-0011	KN-303
TRX400FW Foreman 4x4	395	HA-3098	KN-113			HA-0011	KN-303C
TRX450ES Foreman ES	433	HA-3098	KN-113	XR80R	80	HA-1088	
TRX450S Foreman S	450	HA-3098	KN-113	XR100R	100	HA-1088	
TRX500FA Foreman Rubicon	500		KN-111	XR200R	200	HA-2584	KN-112
VF750C Magna	750	HA-7594	KN-303	XR250 Super	250		KN-112
		HA-7594	KN-303C	XR250R	250	HA-1312	KN-112
VF750C2 Magna Deluxe	750	HA-7594	KN-303	XR400R	400	HA-1314	KN-112
		HA-7594	KN-303C	XR440 R/SM	440		KN-112
			KN-303C	XR600R	600	HA-1315	KN-112
VFR750R	750		KN-303	XR650L	650	HA-6592	KN-112
			KN-303C	XR650R	650	HA-6500	KN-112
VFR800F Interceptor	800	HA-8098	KN-303	XR750 Africa Twin	742	HA-0008	KN-303
		HA-8098	KN-303C			HA-0008	KN-303C
VT125C Shadow	125		KN-113	<b>1999 HONDA</b>			
VT600C Shadow VLX	600	HA-6199	KN-303	Accord	2.3L L4 F/I	33-2124	HP-1004
		HA-6199	KN-303C	Accord	3.0L V6 F/I	33-2133 ♦	HP-1004
VT600CD Shadow VLX Deluxe	600	HA-6199	KN-303	Accord VII	1.8L L4 F/I	33-2124	
		HA-6199	KN-303C	Accord VII	2.0L L4 F/I	33-2124	
VT750C Shadow	750		KN-303	Accord VII	2.2L L4 F/I	33-2124 ♦	
			KN-303C	Accord VII	3.0L V6 F/I	33-2133	HP-1004
VT750C Shadow A.C.E.	750	HA-7500	KN-303	CB400 VTEC	400	HA-4098	
		HA-7500	KN-303C	CB500	502	HA-5094	KN-303
VT750CD Shadow Deluxe	750	HA-7500	KN-303			HA-5094	KN-303C
		HA-7500	KN-303C	CB500 Cup	500		KN-303
VT1100C Shadow Spirit	1100	HA-1187	KN-303				KN-303C
		HA-1187	KN-303C	CB600 Hornet	600	HA-6098	KN-303
VT1100C2 Shadow Sabre	1100	HA-1187	KN-303			HA-6098	KN-303C
		HA-1187	KN-303C	CB750 F2	750		KN-303
			KN-303C	CB750 Nighthawk	750	HA-7591	KN-303
			KN-303C			HA-7591	KN-303C
			KN-303C	CB1100SF	1100	HA-1199	KN-303
			KN-303C	CBR600F4	600	HA-1199	KN-303C
			KN-303C	CBR900RR	900	HA-6099	KN-303
			KN-303C	CBR900RR	900	HA-9092-A	KN-303
			KN-303C	CBR900RR Fireblade	919	HA-9092-A	KN-303C
			KN-303C			HA-9092-A	KN-303
			KN-303C	CBR1000F	1006	HA-9092-A	KN-303C
			KN-303C				KN-303
			KN-303C				KN-303C

\*Indicates 2 filters required      ♦ - Intake kit available      Applications updated daily at [knfilters.com](http://knfilters.com) ®

**Partial Listing - Complete List of Vehicles and Applications at [knfilters.com](http://knfilters.com)**

# HONDA

# AIR & OIL FILTERS

Vehicle	Engine Type	Air Filter	Oil Filter	Vehicle	Engine Type	Air Filter	Oil Filter
<b>1999 HONDA</b>				<b>1999 HONDA</b>			
CBR1100XX Blackbird	1100	HA-1199	KN-303	Prelude V	2.2L L4 F/I	33-2090	HP-1004
		HA-1199	KN-303C	RVF400	400		KN-303
							KN-303C
CBX250 RSE	250		KN-112	S2000	2.0L L4 F/I	E-2435 ♦	HP-1004
Civic CX	1.6L L4 F/I	33-2120	HP-1004	Shuttle	2.3L L4 F/I	33-2071	
Civic DX	1.6L L4 F/I	33-2120	HP-1004	SLR650	650		KN-112
Civic EX	1.6L L4 F/I	33-2104 ♦	HP-1004	ST1100	1100	HA-1191	KN-303
Civic GX	1.6L L4 F/I	33-2104	HP-1004			HA-1191	KN-303C
Civic HX	1.6L L4 F/I	33-2104	HP-1004	ST1100 ABS II	1100	HA-1191	KN-303
		33-2104 ♦	HP-1004			HA-1191	KN-303C
Civic LX	1.6L L4 F/I	33-2120	HP-1004	ST1100 Pan European	1100		KN-303
Civic Si	1.6L L4 F/I	33-2104 ♦	HP-1004				KN-303C
Civic V	1.4L L4 F/I - D14A3 Eng, D14A4 Eng.	33-2036 ♦		TRX90	90	HA-1088	
Civic V	1.4L L4 F/I - D14A7 Eng., D14A8 Eng.	33-2047 ♦		TRX250 Recon	250	HA-2597	
Civic V	1.5L L4 F/I - 3/4-Door	33-2104 ♦		TRX300 Fourtrax	280	HA-3098	KN-113
Civic V	1.5L L4 F/I - 5-door & AeroDeck	33-2047 ♦		TRX300EX	300	HA-3094	KN-113
Civic V	1.6L L4 F/I - 105BHP	33-2036 ♦		TRX300FW Fourtrax 4x4	300	HA-3098	KN-113
Civic V	1.6L L4 F/I - 114/160BHP	33-2104 ♦		TRX400EX	395	HA-4099	KN-113
Civic V	1.6L L4 F/I - 116/125BHP	33-2047 ♦		TRX400EX	397	HA-4099	KN-113
Civic V	1.8L L4 F/I	33-2234 ♦		TRX400FW Foreman 4x4	395	HA-3098	KN-113
Civic V	2.0L L4 DSL	33-2761		TRX450ES Foreman ES	433	HA-3098	KN-113
Civic Value Package	1.6L L4 F/I	33-2104	HP-1004	TRX450S Foreman S	450	HA-3098	KN-113
CN250 Helix	250	HA-2586		VF750C Magna	739	HA-7594	KN-303
CR125R	125	HA-2591				HA-7594	KN-303C
CR250R	250	HA-2591		VF750C2 Magna Deluxe	750	HA-7594	KN-303
CR500R	500	HA-2591				HA-7594	KN-303C
CR80R	82	HA-8086		VFR800F Interceptor	800	HA-8098	KN-303
CR-V	2.0L L4 F/I	33-2104	HP-1004			HA-8098	KN-303C
CR-V I	2.0L L4 F/I	33-2104	HP-1004	VT125C Shadow	125		KN-113
FES250 Foresight	250	HA-2500-1		VT600C Shadow VLX	600	HA-6199	KN-303
FX650 Vigor	650		KN-112			HA-6199	KN-303C
GL1500 Valkyrie Interstate	1520	HA-1596	KN-303	VT600CD Shadow VLX Deluxe	600	HA-6199	KN-303
		HA-1596	KN-303C			HA-6199	KN-303C
GL1500A Gold Wing Aspencade	1520	HA-8088	KN-303	VT750C Shadow	750		KN-303
		HA-8088	KN-303C				KN-303C
GL1500C Valkyrie	1520	HA-1596	KN-303	VT750C Shadow A.C.E.	750	HA-7500	KN-303
		HA-1596	KN-303C			HA-7500	KN-303C
GL1500CT Valkyrie Tourer	1520	HA-1596	KN-303	VT750CD Shadow Deluxe	750	HA-7500	KN-303
		HA-1596	KN-303C			HA-7500	KN-303C
GL1500SE Gold Wing SE	1520	HA-8088	KN-303	VT1100C Shadow Spirit	1100	HA-1187	KN-303
		HA-8088	KN-303C			HA-1187	KN-303C
HRV	1.6L L4 F/I	33-2104		VT1100C2 Shadow A.C.E.	1100	HA-1187	KN-303
Integra Type R	1.8L L4 F/I	E-2427				HA-1187	KN-303C
Legend	3.5L V6 F/I	33-2179		VT1100C2 Shadow A.C.E.	1100	HA-1187	KN-303
NSR150	150	HA-1598				HA-1187	KN-303C
NSX	3.0L V6 F/I	33-2713		VT1100C2 Shadow Sabre	1100		KN-303
NSX	3.2L V6 F/I	33-2713					KN-303C
NT650V Deauville	647		KN-303	VT1100C3 Shadow Aero	1100	HA-1187	KN-303
			KN-303C			HA-1187	KN-303C
NX650 Dominator	650	HA-0001	KN-112				
Odyssey	3.5L V6 F/I	33-2174	HP-1004				
Passport	3.2L V6 F/I	33-2108	HP-1004				
Prelude	2.2L L4 F/I	33-2090 ♦	HP-1004				
Prelude V	2.0L L4 F/I	33-2090					

\*Indicates 2 filters required

♦ - Intake kit available

Applications updated daily at [knfilters.com](http://knfilters.com) ®

# AIR & OIL FILTERS

# HONDA

Vehicle	Engine Type	Air Filter	Oil Filter	Vehicle	Engine Type	Air Filter	Oil Filter
<b>1999 HONDA</b>				<b>1998 HONDA</b>			
VT1100D2 Shadow A.C.E.	1100	HA-1187	KN-303	CBR1100XX Blackbird	1100	HA-1197	KN-303
		HA-1187	KN-303C			HA-1197	KN-303C
VT1100T Shadow A.C.E. Tourer	1100	HA-1187	KN-303	CBX250 RSE	250		KN-112
		HA-1187	KN-303C	Civic CX	1.6L L4 F/I	33-2120	HP-1004
VTR1000 Firestorm	1000	HA-0011	KN-303	Civic del Sol	1.6L L4 F/I	33-2047	
		HA-0011	KN-303C	Civic DX	1.6L L4 F/I	33-2120	HP-1004
VTR1000 Super Hawk	1000	HA-0011	KN-204	Civic EX	1.6L L4 F/I	33-2104 ♦	HP-1004
		HA-0011	KN-204C	Civic GX	1.6L L4 F/I	33-2104	HP-1004
				Civic HX	1.6L L4 F/I	33-2104 ♦	HP-1004
X-11	1100	HA-1199	KN-303	Civic LX	1.6L L4 F/I	33-2120	HP-1004
		HA-1199	KN-303C	Civic Si	1.6L L4 F/I	33-2104	HP-1004
XL600V Transalp	583	HA-6089	KN-303	Civic V	1.4L L4 F/I - D14A3 Eng, D14A4 Eng.	33-2036 ♦	
		HA-6089	KN-303C	Civic V	1.4L L4 F/I - D14A7 Eng., D14A8 Eng.	33-2047 ♦	
XL1000 Varadero	1000	HA-0011	KN-303	Civic V	1.5L L4 F/I - 3/4-Door	33-2104 ♦	
		HA-0011	KN-303C	Civic V	1.5L L4 F/I - 5-door & AeroDeck	33-2047 ♦	
XR80R	80	HA-1088		Civic V	1.6L L4 F/I - 105BHP	33-2036 ♦	
XR100R	100	HA-1088		Civic V	1.6L L4 F/I - 114/160BHP	33-2104 ♦	
XR200R	200	HA-2584	KN-112	Civic V	1.6L L4 F/I - 116/125BHP	33-2047 ♦	
XR250 Super	250		KN-112	Civic V	1.8L L4 F/I	33-2234 ♦	
XR250L	250	HA-1312	KN-112	Civic V	2.0L L4 DSL	33-2761	
XR250R	250	HA-1312	KN-112	CN250 Helix	250	HA-2586	
XR400R	400	HA-1314	KN-112	CR125R	125	HA-2591	
XR440 R/SM	440		KN-112	CR250R	250	HA-2591	
XR600R	600	HA-1315	KN-112	CR500R	500	HA-2591	
XR650L	650	HA-6592	KN-112	CR80R	82	HA-8086	
XR750 Africa Twin	742	HA-0008	KN-303	CR-V	2.0L L4 F/I	33-2104	HP-1004
		HA-0008	KN-303C	CR-V I	2.0L L4 F/I	33-2104	HP-1004
				CRX III	1.6L L4 F/I	33-2047 ♦	
				FES250 Foresight	250	HA-2500-1	
				GL1500A Gold Wing Aspencade	1520	HA-8088	KN-303
						HA-8088	KN-303C
				GL1500C Valkyrie	1520	HA-1596	KN-303
						HA-1596	KN-303C
				GL1500CT Valkyrie Tourer	1520	HA-1596	KN-303
						HA-1596	KN-303C
				GL1500SE Gold Wing SE	1520	HA-8088	KN-303
						HA-8088	KN-303C
				Integra Type R	1.8L L4 F/I	E-2427	
				Legend	3.5L V6 F/I	33-2179	
				NSR150	150	HA-1598	
				NSX	3.0L V6 F/I	33-2713	
				NSX	3.2L V6 F/I	33-2713	
				NT650V Deauville	647		KN-303
							KN-303C
				NX650 Dominator	650	HA-0001	KN-112
				Odyssey	2.3L L4 F/I	33-2071	HP-1004
				Passport	3.2L V6 F/I	33-2108	HP-1004
				PC800 Pacific Coast	800	HA-8089	KN-303
						HA-8089	KN-303C
				Prelude	2.2L L4 F/I	33-2090 ♦	HP-1004
				Prelude V	2.0L L4 F/I	33-2090	
				Prelude V	2.2L L4 F/I	33-2090	HP-1004
				RVF750R - RC45	739		KN-303
							KN-303C

\*Indicates 2 filters required    ♦ - Intake kit available    Applications updated daily at [knfilters.com](http://knfilters.com) ®

**Partial Listing - Complete List of Vehicles and Applications at [knfilters.com](http://knfilters.com)**

# HONDA

# AIR & OIL FILTERS

Vehicle	Engine Type	Air Filter	Oil Filter	Vehicle	Engine Type	Air Filter	Oil Filter
<b>1998 HONDA</b>				<b>1998 HONDA</b>			
Shuttle	2.2L L4 F/I	33-2071		VTR1000 Super Hawk	1000	HA-0011	KN-204
Shuttle	2.3L L4 F/I	33-2071				HA-0011	KN-204C
SLR650	650		KN-112				
ST1100	1100	HA-1191	KN-303	XL600V Transalp	583	HA-6089	KN-303
		HA-1191	KN-303C			HA-6089	KN-303C
ST1100 ABS II	1100	HA-1191	KN-303	XR80R	80	HA-1088	
		HA-1191	KN-303C	XR100R	100	HA-1088	
ST1100 Pan European	1100		KN-303	XR200R	200	HA-2584	KN-112
			KN-303C	XR250 Super	250		KN-112
			KN-303C	XR250L	250	HA-1312	KN-112
TRX90	90	HA-1088		XR250R	250	HA-1312	KN-112
TRX250 Recon	225	HA-2597		XR400R	400	HA-1314	KN-112
TRX300 Fourtrax	280	HA-3098	KN-113	XR440 R/SM	440		KN-112
TRX300EX	300	HA-3094	KN-113	XR600R	600	HA-1315	KN-112
TRX300FW Fourtrax 4x4	300	HA-3098	KN-113	XR650L	650	HA-6592	KN-112
TRX400FW Foreman 4x4	395	HA-3098	KN-113	XR750 Africa Twin	742	HA-0008	KN-303
TRX450ES Foreman ES	433					HA-0008	KN-303C
TRX450S Foreman S	450	HA-3098	KN-113	<b>1997 HONDA</b>			
VF750C Magna	739	HA-7594	KN-303	Accord	2.2L L4 F/I		HP-1004
		HA-7594	KN-303C	Accord	2.2L L4 F/I - US	33-2071 ♦	HP-1004
		HA-7594	KN-303C	Accord	2.3L L4 F/I	33-2071	
VF750C2 Magna Deluxe	750	HA-7594	KN-303	Accord	2.7L V6 F/I	33-2100	HP-1004
		HA-7594	KN-303C	Accord V	2.0L L4 F/I - F20B Eng.	33-2071 ♦	
				Accord V	2.0L L4 F/I - F20Z Eng.	33-2613 ♦	
				Accord V	2.2L L4 F/I	33-2071 ♦	HP-1004
VFR750F Interceptor	739		KN-303	Accord VI	1.8L L4 F/I	33-2613	
			KN-303C	Accord VI	2.0L L4 DSL	33-2761	
VFR800F Interceptor	800	HA-8098	KN-303	Accord VI	2.0L L4 F/I	33-2613 ♦	
		HA-8098	KN-303C	Accord VI	2.2L L4 F/I	33-2613 ♦	
VT600C Shadow VLX	600	HA-6088	KN-303	CB400 Super Four	400		KN-303
		HA-6088	KN-303C				KN-303C
VT600CD Shadow VLX Deluxe	600	HA-6088	KN-303	CB500	502	HA-5094	KN-303
		HA-6088	KN-303C			HA-5094	KN-303C
VT750C Shadow	750		KN-303	CB750 F2	750		KN-303
			KN-303C				KN-303C
VT750C Shadow A.C.E.	750	HA-7500	KN-303	CB750 Nighthawk	750	HA-7591	KN-303
		HA-7500	KN-303C			HA-7591	KN-303C
VT750CD Shadow Deluxe	750	HA-7500	KN-303	CB1000 Big One	1006	HA-1013-1	KN-303
		HA-7500	KN-303C			HA-1013-1	KN-303C
VT1100C Shadow	1100	HA-1187	KN-303	CBR600F3	600	HA-6095	KN-303
		HA-1187	KN-303C			HA-6095	KN-303C
VT1100C Shadow Spirit	1100	HA-1187	KN-303	CBR900RR	900	HA-9092-A	KN-303
		HA-1187	KN-303C			HA-9092-A	KN-303C
VT1100C2 Shadow A.C.E.	1100	HA-1187	KN-303	CBR900RR Fireblade	919	HA-9092-A	KN-303
		HA-1187	KN-303C			HA-9092-A	KN-303C
VT1100C3 Shadow Aero	1100	HA-1187	KN-303	CBR1000F	1006	HA-1087	KN-303
		HA-1187	KN-303C			HA-1087	KN-303C
VT1100T Shadow A.C.E. Tourer	1100	HA-1187	KN-303	CBR1100XX Blackbird	1100	HA-1197	KN-303
		HA-1187	KN-303C			HA-1197	KN-303C
VTR1000 Firestorm	1000	HA-0011	KN-303	CBX250 RSE	250		KN-112
		HA-0011	KN-303C	Civic CX	1.6L L4 F/I	33-2120	HP-1004
				Civic del Sol	1.6L L4 F/I	33-2047	HP-1004
				Civic DX	1.6L L4 F/I	33-2120	HP-1004
				Civic EX	1.6L L4 F/I	33-2104 ♦	HP-1004
				Civic HX	1.6L L4 F/I	33-2104	HP-1004
						33-2104 ♦	HP-1004
				Civic IV	1.4L L4 F/I	33-2047	
				Civic IV	1.6L L4 F/I	33-2047 ♦	
				Civic LX	1.6L L4 F/I	33-2120	HP-1004
				Civic Si	1.6L L4 F/I	33-2104	HP-1004
				Civic V	1.4L L4 F/I - D14A3 Eng. D14A4 Eng.	33-2036 ♦	

\*Indicates 2 filters required

♦ - Intake kit available

Applications updated daily at [knfilters.com](http://knfilters.com) ®

# AIR & OIL FILTERS

# HONDA

Vehicle	Engine Type	Air Filter	Oil Filter	Vehicle	Engine Type	Air Filter	Oil Filter
<b>1997 HONDA</b>				<b>1997 HONDA</b>			
Civic V	1.4L L4 F/I - D14A7 Eng., D14A8 Eng.	33-2047 ♦		VF750C Magna	739	HA-7594	KN-303
Civic V	1.5L L4 F/I - 3/4-Door	33-2104 ♦		VF750C2 Magna	750	HA-7594	KN-303C
Civic V	1.5L L4 F/I - 5-door & AeroDeck	33-2047 ♦		Deluxe		HA-7594	KN-303
Civic V	1.6L L4 F/I - 105BHP	33-2036 ♦				HA-7594	KN-303C
Civic V	1.6L L4 F/I - 114/160BHP	33-2104 ♦		VFR750F Interceptor	739	HA-0003	KN-303
Civic V	1.6L L4 F/I - 116/125BHP	33-2047 ♦				HA-0003	KN-303C
Civic V	1.8L L4 F/I	33-2234 ♦		VT600C Shadow VLX	600	HA-6088	KN-303
Civic V	2.0L L4 DSL	33-2761				HA-6088	KN-303C
CN250 Helix	250	HA-2586		VT600CD Shadow VLX Deluxe	600	HA-6088	KN-303
CR125R	125	HA-2591				HA-6088	KN-303C
CR250R	250	HA-2591		VT750C Shadow	750		KN-303
CR500R	500	HA-2591					KN-303C
CR80R	82	HA-8086		VT1100C Shadow	1100	HA-1187	KN-303
CR-V	2.0L L4 F/I	33-2104	HP-1004			HA-1187	KN-303C
CR-V I	2.0L L4 F/I	33-2104	HP-1004	VT1100C Shadow Spirit	1100	HA-1187	KN-303
CRX III	1.6L L4 F/I	33-2047 ♦				HA-1187	KN-303C
GL1500A Gold Wing Aspencade	1520	HA-8088	KN-303	VT1100C2 Shadow A.C.E.	1100	HA-1187	KN-303
		HA-8088	KN-303C			HA-1187	KN-303C
GL1500C Valkyrie	1520	HA-1596	KN-303	VTR1000 Firestorm	1000	HA-0011	KN-303
		HA-1596	KN-303C			HA-0011	KN-303C
GL1500CT Valkyrie Tourer	1520	HA-1596	KN-303	VTR1000 Super Hawk	1000	HA-0011	KN-204
		HA-1596	KN-303C			HA-0011	KN-204C
GL1500SE Gold Wing SE	1520	HA-8088	KN-303	XL600V Transalp	583	HA-6089	KN-303
		HA-8088	KN-303C			HA-6089	KN-303C
Legend	3.5L V6 F/I	33-2179		XR80R	80	HA-1088	
NSX	3.0L V6 F/I	33-2713		XR100R	100	HA-1088	
NSX	3.2L V6 F/I	33-2713		XR200R	200	HA-2584	KN-112
NTV650 Revere	647	HA-0005	KN-303	XR250 Super	250		KN-112
		HA-0005	KN-303C	XR250L	250	HA-1312	KN-112
NX650 Dominator	650	HA-0001	KN-112	XR250R	250	HA-1312	KN-112
Odyssey	2.2L L4 F/I	33-2071	HP-1004	XR400R	400	HA-1314	KN-112
Passport	3.2L V6 F/I	33-2108	HP-1004	XR440 R/SM	440		KN-112
PC800 Pacific Coast	800	HA-8089	KN-303	XR600R	600	HA-1315	KN-112
		HA-8089	KN-303C	XR650L	650	HA-6592	KN-112
Prelude	2.2L L4 F/I	33-2090 ♦	HP-1004	XR750 Africa Twin	742	HA-0008	KN-303
Prelude V	2.0L L4 F/I	33-2090				HA-0008	KN-303C
Prelude V	2.2L L4 F/I	33-2090	HP-1004				
RVF750R - RC45	739		KN-303				
			KN-303C				
Shuttle	2.2L L4 F/I	33-2071		<b>1996 HONDA</b>			
SLR650	650		KN-112	Accord	2.2L L4 F/I		HP-1004
ST1100	1100	HA-1191	KN-303	Accord	2.2L L4 F/I - US	33-2071 ♦	HP-1004
		HA-1191	KN-303C	Accord	2.7L V6 F/I	33-2100	HP-1004
ST1100 ABS II	1100		KN-303	Accord V	2.0L L4 F/I - F20B Eng.	33-2071 ♦	
			KN-303C	Accord V	2.0L L4 F/I - F20Z Eng.	33-2613 ♦	
ST1100 Pan European	1100		KN-303	Accord V	2.2L L4 F/I	33-2071 ♦	HP-1004
			KN-303C	Accord V	2.3L L4 F/I	33-2613	
			KN-303C	Accord VI	1.8L L4 F/I	33-2613	
TRX90	90	HA-1088		Accord VI	2.0L L4 DSL	33-2761	
TRX200D Fourtrax	199	HA-2090	KN-113	Accord VI	2.0L L4 F/I	33-2613 ♦	HP-1004
TRX250 Recon	225	HA-2597		Accord VI	2.2L L4 F/I	33-2613 ♦	HP-1004
TRX300 Fourtrax	280	HA-3093	KN-113	CB500	502	HA-5094	KN-303
TRX300EX	300	HA-3094	KN-113			HA-5094	KN-303C
TRX300FW Fourtrax 4x4	300	HA-3093	KN-113	CB750 F2	750		KN-303
TRX400FW Foreman 4x4	395	HA-3093	KN-113	CB750 Nighthawk	750	HA-7591	KN-303
						HA-7591	KN-303C
				CB1000 Big One	1006	HA-1013-1	KN-303
						HA-1013-1	KN-303C

\*Indicates 2 filters required      ♦ - Intake kit available      Applications updated daily at [knfilters.com](http://knfilters.com) ®

**Partial Listing - Complete List of Vehicles and Applications at [knfilters.com](http://knfilters.com)**

# HONDA

# AIR & OIL FILTERS

Vehicle	Engine Type	Air Filter	Oil Filter	Vehicle	Engine Type	Air Filter	Oil Filter
<b>1996 HONDA</b>				<b>1996 HONDA</b>			
CBR600F3	600	HA-6095	KN-303	Prelude V	2.0L L4 F/I	33-2090	
		HA-6095	KN-303C	Prelude V	2.2L L4 F/I	33-2090	HP-1004
CBR900RR	900	HA-9092-A	KN-303	RVF750R - RC45	739		KN-303
		HA-9092-A	KN-303C				KN-303C
CBR900RR Fireblade	900	HA-9092-A	KN-303	Shuttle	2.2L L4 F/I	33-2071	
		HA-9092-A	KN-303C	ST1100	1100	HA-1191	KN-303
CBR1000F	1006	HA-1087	KN-303			HA-1191	KN-303C
		HA-1087	KN-303C	ST1100 ABS II	1100		KN-303
CBR1100XX Blackbird	1100	HA-1197	KN-303				KN-303C
		HA-1197	KN-303C	ST1100 Pan European	1100		KN-303
							KN-303C
CBX250 RSE	250		KN-112				
Civic CX	1.6L L4 F/I	33-2120	HP-1004	TRX90	90	HA-1088	
Civic del Sol	1.6L L4 F/I	33-2047	HP-1004	TRX200D Fourtrax	199	HA-2090	KN-113
Civic DX	1.6L L4 F/I	33-2120	HP-1004	TRX300 Fourtrax	280	HA-3093	KN-113
Civic EX	1.6L L4 F/I	33-2120 ♦	HP-1004	TRX300EX	300	HA-3094	KN-113
Civic HX	1.6L L4 F/I	33-2104	HP-1004	TRX300FW Fourtrax 4x4	300	HA-3093	KN-113
		33-2104 ♦	HP-1004	TRX400FW Foreman 4x4	395	HA-3093	KN-113
Civic IV	1.4L L4 F/I	33-2047		VF750C Magna	739	HA-7594	KN-303
Civic IV	1.6L L4 F/I	33-2047 ♦				HA-7594	KN-303C
Civic LX	1.6L L4 F/I	33-2120	HP-1004	VF750CD Magna Deluxe	750	HA-7594	KN-303
Civic Si	1.6L L4 F/I	33-2104	HP-1004			HA-7594	KN-303C
Civic V	1.4L L4 F/I	33-2036 ♦		VFR750F Interceptor	739	HA-0003	KN-303
Civic V	1.5L L4 F/I	33-2104 ♦				HA-0003	KN-303C
Civic V	1.6L L4 F/I - 105BHP	33-2036 ♦		VT600C Shadow VLX	600	HA-6088	KN-303
Civic V	1.6L L4 F/I - 114/160BHP	33-2104 ♦				HA-6088	KN-303C
Civic V	1.6L L4 F/I - 116/125BHP	33-2047 ♦		VT600CD Shadow VLX Deluxe	600	HA-6088	KN-303
CN250 Fusion	250	HA-2586				HA-6088	KN-303C
CN250 Helix	250	HA-2586		VT1100C Shadow	1100	HA-1187	KN-303
CR125R	125	HA-2591		VT1100C2 Shadow A.C.E.	1100	HA-1187	KN-303
CR250R	250	HA-2591				HA-1187	KN-303C
CR500R	500	HA-2591		XL600V Transalp	583	HA-6089	KN-303
CR80R	82	HA-8086				HA-6089	KN-303C
CR-V I	2.0L L4 F/I	33-2104		XR80R	80	HA-1088	
CRX III	1.6L L4 F/I	33-2047 ♦		XR100R	100	HA-1088	
GL1500A Gold Wing Aspencade	1520	HA-8088	KN-303	XR200R	200	HA-2584	KN-112
		HA-8088	KN-303C	XR250L	250	HA-1312	KN-112
				XR250R	250	HA-1312	KN-112
GL1500i Gold Wing Interstate	1520	HA-8088	KN-303	XR400R	400	HA-1314	KN-112
		HA-8088	KN-303C	XR600R	600	HA-1315	KN-112
				XR650L	650	HA-6592	KN-112
GL1500SE Gold Wing SE	1520	HA-8088	KN-303	XR750 Africa Twin	742	HA-0008	KN-303
		HA-8088	KN-303C			HA-0008	KN-303C
Legend	3.2L V6 F/I	33-2089	KN-303	<b>1995 HONDA</b>			
Legend	3.5L V6 F/I	33-2179	KN-303C	Accord	2.2L L4 F/I	33-2071 ♦	HP-1004
NSX	3.0L V6 F/I	33-2713		Accord	2.7L V6 F/I	33-2100	HP-1004
NTV650 Revere	647	HA-0005	KN-303	Accord EX	2.2L L4 F/I	33-2071	HP-1004
		HA-0005	KN-303C	Accord V	2.0L L4 F/I - F20B Eng.	33-2071 ♦	
NX650 Dominator	650	HA-0001	KN-112	Accord V	2.0L L4 F/I - F20Z Eng.	33-2613 ♦	
Odyssey	2.2L L4 F/I	33-2071	HP-1004	Accord V	2.2L L4 F/I	33-2071	HP-1004
Passport	2.6L L4 F/I		HP-1004	Accord V	2.3L L4 F/I	33-2613	
Passport	3.2L V6 F/I	33-2108	HP-1004	CB500	502	HA-5094	KN-303
PC800 Pacific Coast	800	HA-8089	KN-303			HA-5094	KN-303C
		HA-8089	KN-303C	CB750 F2	750		KN-303
Prelude	2.2L L4 F/I	33-2090 ♦	HP-1004	CB750 Nighthawk	750	HA-7591	KN-303
Prelude	2.3L L4 F/I	33-2090	HP-1004				
Prelude IV	2.0L L4 F/I	33-2090					
Prelude IV	2.2L L4 F/I	33-2090 ♦	HP-1004				
Prelude IV	2.3L L4 F/I	33-2090 ♦	HP-1004				

\*Indicates 2 filters required

♦ - Intake kit available

Applications updated daily at [knfilters.com](http://knfilters.com) ®

# AIR & OIL FILTERS

# HONDA

Vehicle	Engine Type	Air Filter	Oil Filter	Vehicle	Engine Type	Air Filter	Oil Filter
<b>1995 HONDA</b>				<b>1995 HONDA</b>			
CB750 Nighthawk	750	HA-7591	KN-303C	NTV650 Revere	647	HA-0005	KN-303C
CB1000 Big One	1006	HA-1013-1	KN-303	NX250	250		KN-112
		HA-1013-1	KN-303C	NX650 Dominator	650	HA-0001	KN-112
CBR600F3	600	HA-6095	KN-303	Odyssey	2.2L L4 F/I	33-2071	HP-1004
		HA-6095	KN-303C	Passport	2.6L L4 F/I	33-2064	HP-1004
CBR900RR	900	HA-9092-A	KN-303	Passport	3.2L V6 F/I	33-2064	HP-1004
		HA-9092-A	KN-303C	PC800 Pacific Coast	800	HA-8089	KN-303
CBR900RR Fireblade	896	HA-9092-A	KN-303			HA-8089	KN-303C
		HA-9092-A	KN-303C	Prelude	2.2L L4 F/I	33-2090 ♦	HP-1004
CBR1000F	1006	HA-1087	KN-303	Prelude	2.3L L4 F/I	33-2090	HP-1004
		HA-1087	KN-303C	Prelude IV	2.0L L4 F/I	33-2090	
			KN-112	Prelude IV	2.2L L4 F/I	33-2090 ♦	HP-1004
CBX250 RSE	250			Prelude IV	2.3L L4 F/I	33-2090 ♦	HP-1004
Civic Coupe	1.6L L4 F/I	33-2047		RVF750R - RC45	739		KN-303
Civic Coupe	1.6L L4 F/I - 105BHP, D16Y7 Eng.	33-2036					KN-303C
Civic CX	1.5L L4 F/I		HP-1004	Shuttle	2.2L L4 F/I	33-2071	
Civic CX	1.5L L4 F/I - US	33-2047	HP-1004	ST1100	1100	HA-1191	KN-303
Civic del Sol	1.5L L4 F/I	33-2047 ♦	HP-1004			HA-1191	KN-303C
Civic del Sol	1.6L L4 F/I	33-2047 ♦	HP-1004	ST1100 A	1100		KN-303
Civic DX	1.5L L4 F/I		HP-1004				KN-303C
Civic DX	1.5L L4 F/I - US	33-2047 ♦	HP-1004	ST1100 ABS II	1100		KN-303
Civic DX Hatchback	1.5L L4 F/I		HP-1004				KN-303C
Civic DX Hatchback	1.5L L4 F/I - US	33-2047 ♦	HP-1004	ST1100 Pan European	1100		KN-303
Civic EX	1.6L L4 F/I	33-2047 ♦	HP-1004				KN-303C
Civic II	1.6L L4 F/I	33-2025					
Civic IV	1.3L L4 F/I	E-2980					
Civic IV	1.4L L4 F/I	33-2047		TRX200D Fourtrax	199	HA-2090	KN-113
Civic IV	1.5L L4 F/I	33-2047 ♦		TRX300 Fourtrax	280	HA-3093	KN-113
Civic IV	1.6L L4 F/I	33-2047 ♦		TRX300EX	300	HA-3094	KN-113
Civic LX	1.5L L4 F/I		HP-1004	TRX300FW Fourtrax 4x4	300	HA-3093	KN-113
Civic LX	1.5L L4 F/I - US	33-2047 ♦	HP-1004	TRX400FW Foreman 4x4	395	HA-3093	KN-113
Civic Si	1.6L L4 F/I	33-2047 ♦	HP-1004	VF750C Magna	739	HA-7594	KN-303
Civic V	1.4L L4 F/I	33-2036 ♦				HA-7594	KN-303C
Civic V	1.5L L4 F/I	33-2104 ♦		VF750CD Magna Deluxe	750	HA-7594	KN-303
Civic V	1.6L L4 F/I - 105BHP	33-2036 ♦				HA-7594	KN-303C
Civic V	1.6L L4 F/I - 114/160BHP	33-2104 ♦					
Civic V	1.6L L4 F/I - 116/125BHP	33-2047 ♦		VFR750F Interceptor	739	HA-0003	KN-303
Civic VX	1.5L L4 F/I		HP-1004			HA-0003	KN-303C
Civic VX	1.5L L4 F/I - US	33-2047	HP-1004	VT600C Shadow VLX	600	HA-6088	KN-303
CN250 Fusion	250	HA-2586		VT600CD Shadow VLX Deluxe	600	HA-6088	KN-303
CN250 Helix	250	HA-2586				HA-6088	KN-303C
Concerto	1.5L L4 F/I	33-2605		VT1100C Shadow	1100	HA-1187	KN-303
Concerto	1.6L L4 F/I	33-2605				HA-1187	KN-303C
CR125R	125	HA-2591		VT1100C2 Shadow A.C.E.	1100	HA-1187	KN-303
CR250R	250	HA-2591				HA-1187	KN-303C
CR500R	500	HA-2591					
CR80R	82	HA-8086					
CR-V I	2.0L L4 F/I	33-2104					
CRX III	1.6L L4 F/I	33-2047 ♦					
GL1500A Gold Wing Aspencade	1520	HA-8088	KN-303				
		HA-8088	KN-303C	XL600V Transalp	583	HA-6089	KN-303
						HA-6089	KN-303C
GL1500i Gold Wing Interstate	1520	HA-8088	KN-303	XR80R	80	HA-1088	
		HA-8088	KN-303C	XR100R	100	HA-1088	
				XR200R	200	HA-2584	KN-112
				XR250L	250	HA-1312	KN-112
GL1500SE Gold Wing SE	1520	HA-8088	KN-303	XR250R	250	HA-1312	KN-112
		HA-8088	KN-303C	XR600R	600	HA-1315	KN-112
				XR650L	650	HA-6592	KN-112
Legend	3.2L V6 F/I	33-2089		XR750 Africa Twin	742	HA-0008	KN-303
NSX	3.0L V6 F/I	33-2713				HA-0008	KN-303C
NTV650 Revere	647	HA-0005	KN-303				
				<b>1994 HONDA</b>			
				Accord	2.2L L4 F/I	33-2071 ♦	HP-1004

\*Indicates 2 filters required

♦ - Intake kit available

Applications updated daily at [knfilters.com](http://knfilters.com) ®

**Partial Listing - Complete List of Vehicles and Applications at [knfilters.com](http://knfilters.com)**

# HONDA

# AIR & OIL FILTERS

Vehicle	Engine Type	Air Filter	Oil Filter	Vehicle	Engine Type	Air Filter	Oil Filter
<b>1994 HONDA</b>				<b>1994 HONDA</b>			
Accord EX	2.2L L4 F/I	33-2071	HP-1004	Passport	3.2L V6 F/I	33-2064	HP-1004
Accord V	2.0L L4 F/I - F20B Eng.	33-2071 ♦		PC800 Pacific Coast	800	HA-8089	KN-303
Accord V	2.0L L4 F/I - F20Z Eng.	33-2613 ♦				HA-8089	KN-303C
Accord V	2.2L L4 F/I	33-2071	HP-1004	Prelude	2.2L L4 F/I	33-2090 ♦	HP-1004
Accord V	2.3L L4 F/I	33-2613		Prelude	2.3L L4 F/I	33-2090	HP-1004
CB500	502	HA-5094	KN-303	Prelude IV	2.0L L4 F/I	33-2090	
		HA-5094	KN-303C	Prelude IV	2.2L L4 F/I	33-2090 ♦	HP-1004
CB750 F2	750		KN-303	Prelude IV	2.3L L4 F/I	33-2090 ♦	HP-1004
			KN-303C	RVF750R - RC45	739		KN-303
CB750 Nighthawk	750	HA-7591	KN-303				KN-303C
		HA-7591	KN-303C	ST1100	1100	HA-1191	KN-303
CB1000 Big One	1006	HA-1013-1	KN-303			HA-1191	KN-303C
		HA-1013-1	KN-303C	ST1100 A	1100		KN-303
CBR600 Hurricane	600		KN-303	ST1100 ABS II	1100		KN-303C
			KN-303C				KN-303
CBR600F2	600	HA-6091	KN-303	ST1100 Pan	1100		KN-303C
		HA-6091	KN-303C	European			KN-303
CBR900RR	900	HA-9092-A	KN-303				KN-303C
		HA-9092-A	KN-303C				
CBR900RR Fireblade	896	HA-9092-A	KN-303	TRX200D Fourtrax	199	HA-2090	KN-113
		HA-9092-A	KN-303C	TRX300 Fourtrax	280	HA-3093	KN-113
CBR1000F	1006	HA-1087	KN-303	TRX300EX	300	HA-3094	KN-113
		HA-1087	KN-303C	TRX300FW Fourtrax	300	HA-3093	KN-113
CBX250 RSE	250		KN-112	4x4			
Civic CX	1.5L L4 F/I	33-2047 ♦	HP-1004	VF750C Magna	739	HA-7594	KN-303
Civic del Sol	1.5L L4 F/I	33-2047 ♦	HP-1004			HA-7594	KN-303C
Civic del Sol	1.6L L4 F/I	33-2047 ♦	HP-1004	VFR750F Interceptor	739	HA-0003	KN-303
Civic DX	1.5L L4 F/I	33-2047 ♦	HP-1004			HA-0003	KN-303C
Civic DX Hatchback	1.5L L4 F/I	33-2047 ♦	HP-1004	VT600C Shadow VLX	600	HA-6088	KN-303
Civic EX	1.6L L4 F/I	33-2047 ♦	HP-1004			HA-6088	KN-303C
Civic II	1.6L L4 F/I	33-2025		VT600CD Shadow	600	HA-6088	KN-303
Civic IV	1.3L L4 F/I	E-2980		VLX Deluxe			
Civic IV	1.4L L4 F/I	33-2047				HA-6088	KN-303C
Civic IV	1.5L L4 F/I	33-2047 ♦		VT1100C Shadow	1100	HA-1187	KN-303
Civic IV	1.6L L4 F/I	33-2047 ♦				HA-1187	KN-303C
Civic LX	1.5L L4 F/I	33-2047 ♦	HP-1004	VT1100CL Shadow	1100	HA-1187	KN-303
Civic Si	1.6L L4 F/I	33-2047 ♦	HP-1004			HA-1187	KN-303C
Civic VX	1.5L L4 F/I	33-2047	HP-1004	XL600V Transalp	583	HA-6089	KN-303
CN250 Helix	250	HA-2586				HA-6089	KN-303C
Concerto	1.5L L4 F/I	33-2605		XR100R	100	HA-1088	
Concerto	1.6L L4 F/I	33-2605		XR200R	200	HA-2584	KN-112
CR125R	125	HA-2591		XR250L	250	HA-1312	KN-112
CR250R	250	HA-2591		XR250R	250	HA-1312	KN-112
CR500R	500	HA-2591		XR600R	600	HA-1315	KN-112
CR80R	82	HA-8086		XR650L	650	HA-6592	KN-112
CRX III	1.6L L4 F/I	33-2047 ♦		XR750 Africa Twin	742	HA-0008	KN-303
GL1500A Gold Wing	1520	HA-8088	KN-303			HA-0008	KN-303C
Aspencafe		HA-8088	KN-303C				
GL1500i Gold Wing	1520	HA-8088	KN-303	<b>1993 HONDA</b>			
Interstate		HA-8088	KN-303C	Accord	2.2L L4 F/I	33-2613	HP-1004
		HA-8088	KN-303C	Accord IV	2.0L L4 F/I - 133BHP	33-2613	
GL1500SE Gold Wing	1520	HA-8088	KN-303	Accord IV	2.0L L4 F/I - Exc., 133BHP	E-9180	
SE		HA-8088	KN-303C	Accord IV	2.2L L4 F/I	33-2613	HP-1004
		HA-8088	KN-303C	Accord V	2.0L L4 F/I - F20B Eng.	33-2071 ♦	
Legend	3.2L V6 F/I	33-2089		Accord V	2.0L L4 F/I - F20Z Eng.	33-2613 ♦	
NSX	3.0L V6 F/I	33-2713		Accord V	2.2L L4 F/I	33-2071	HP-1004
NTV650 Revere	647	HA-0005	KN-303	Accord V	2.3L L4 F/I	33-2613	
		HA-0005	KN-303C	CB400RR - NC29	400	HA-0004	KN-303
NX250	250		KN-112			HA-0004	KN-303C
NX650 Dominator	650	HA-0001	KN-112	CB750 F2	750		KN-303
Passport	2.6L L4 F/I	33-2064	HP-1004	CB750 Nighthawk	750	HA-7591	KN-303
						HA-7591	KN-303C

\*Indicates 2 filters required

♦ - Intake kit available

Applications updated daily at [knfilters.com](http://knfilters.com) ®



# AIR & OIL FILTERS

# HONDA

Vehicle	Engine Type	Air Filter	Oil Filter	Vehicle	Engine Type	Air Filter	Oil Filter
<b>1993 HONDA</b>				<b>1993 HONDA</b>			
CB1000 Big One	1006	HA-1013-1	KN-303	ST1100 ABS II	1100		KN-303C
		HA-1013-1	KN-303C	ST1100 Pan	1100		KN-303
CBR600 Hurricane	600		KN-303	European			KN-303C
			KN-303C				
CBR600F2	600	HA-6091	KN-303	TRX90	90	HA-1088	
		HA-6091	KN-303C	TRX200D Fourtrax	199	HA-2090	KN-113
CBR900RR	900	HA-9092-A	KN-303	TRX300 Fourtrax	280	HA-3093	KN-113
		HA-9092-A	KN-303C	TRX300EX	300	HA-3094	KN-113
CBR900RR Fireblade	896	HA-9092-A	KN-303	TRX300FW Fourtrax	300	HA-3093	KN-113
		HA-9092-A	KN-303C	4x4			
CBR1000F	1006	HA-1087	KN-303	VF750C Magna	750		KN-303
		HA-1087	KN-303C				KN-303C
CBX250 RSE	250		KN-112	VFR400R - NC30	400		KN-303
Civic CX	1.5L L4 F/I	33-2047	HP-1004				KN-303C
Civic del Sol	1.5L L4 F/I	33-2047 ♦	HP-1004	VFR750F Interceptor	739	HA-0003	KN-303
Civic del Sol	1.6L L4 F/I	33-2047 ♦	HP-1004			HA-0003	KN-303C
Civic DX	1.5L L4 F/I	33-2047 ♦	HP-1004	VT600C Shadow VLX	600	HA-6088	KN-303
Civic DX Hatchback	1.5L L4 F/I	33-2047 ♦	HP-1004			HA-6088	KN-303C
Civic EX	1.6L L4 F/I	33-2047 ♦	HP-1004	VT600CD Shadow	600	HA-6088	KN-303
Civic II	1.6L L4 F/I	33-2025		VLX Deluxe			
Civic IV	1.3L L4 F/I	E-2980				HA-6088	KN-303C
Civic IV	1.5L L4 F/I	33-2047 ♦		VT1100C Shadow	1100	HA-1187	KN-303
Civic IV	1.6L L4 F/I	33-2047 ♦				HA-1187	KN-303C
Civic LX	1.5L L4 F/I	33-2047 ♦	HP-1004	VT1100CL Shadow	1100	HA-1187	KN-303
Civic Si	1.6L L4 F/I	33-2047 ♦	HP-1004			HA-1187	KN-303C
Civic VX	1.5L L4 F/I	33-2047	HP-1004	XL600V Transalp	583	HA-6089	KN-303
CN250 Fusion	250	HA-2586				HA-6089	KN-303C
CN250 Helix	250	HA-2586		XR100R	100	HA-1088	
Concerto	1.5L L4 F/I	33-2605		XR200R	200	HA-2584	KN-112
Concerto	1.6L L4 F/I	33-2605		XR250L	250	HA-1312	KN-112
CR125R	125	HA-2591		XR250R	250	HA-1312	KN-112
CR250R	250	HA-2591		XR600R	600	HA-1315	KN-112
CR500R	500	HA-2591		XR650L	650	HA-6592	KN-112
CR80R	82	HA-8086		XR750 Africa Twin	742	HA-0008	KN-303
CRX III	1.6L L4 F/I	33-2047 ♦				HA-0008	KN-303C
GL1500 Gold Wing	1500		KN-303				
			KN-303C				
GL1500A Gold Wing	1520	HA-8088	KN-303	<b>1992 HONDA</b>			
Aspencade		HA-8088	KN-303C	Accord	2.2L L4 F/I	33-2613	HP-1004
				Accord IV	2.0L L4 F/I - 133BHP	33-2613	
				Accord IV	2.0L L4 F/I - Exc.,	E-9180	
					133BHP		
GL1500i Gold Wing	1520	HA-8088	KN-303	Accord IV	2.2L L4 F/I	33-2613	HP-1004
Interstate		HA-8088	KN-303C	CB400F CB-1	400		KN-303
							KN-303C
GL1500SE Gold Wing	1520	HA-8088	KN-303	CB400RR - NC29	400	HA-0004	KN-303
SE		HA-8088	KN-303C			HA-0004	KN-303C
				CB450DXK	450		KN-111
Legend	3.2L V6 F/I	33-2089		CB750 F2	750		KN-303
NSX	3.0L V6 F/I	33-2713					KN-303C
NTV650 Revere	647	HA-0005	KN-303	CB750 Nighthawk	750	HA-7591	KN-303
		HA-0005	KN-303C			HA-7591	KN-303C
			KN-112	CBR600 Hurricane	600		KN-303
NX250	250		KN-112				KN-303C
NX650 Dominator	650	HA-0001	KN-112	CBR600F2	600	HA-6091	KN-303
Prelude	2.2L L4 F/I	33-2090 ♦	HP-1004			HA-6091	KN-303C
Prelude	2.3L L4 F/I	33-2090	HP-1004	CBR900RR Fireblade	896		KN-303
Prelude IV	2.0L L4 F/I	33-2090					KN-303C
Prelude IV	2.2L L4 F/I	33-2090 ♦	HP-1004	CBR1000F	1006	HA-1087	KN-303
Prelude IV	2.3L L4 F/I	33-2090 ♦	HP-1004			HA-1087	KN-303C
ST1100	1100	HA-1191	KN-303	CBX250 RSE	250		KN-112
		HA-1191	KN-303C	Civic CX	1.5L L4 F/I	33-2047	HP-1004
ST1100 A	1100		KN-303	Civic DX	1.5L L4 F/I	33-2047 ♦	HP-1004
			KN-303C	Civic DX Hatchback	1.5L L4 F/I	33-2047 ♦	HP-1004
ST1100 ABS II	1100		KN-303	Civic EX	1.6L L4 F/I	33-2047 ♦	HP-1004

\*Indicates 2 filters required      ♦ - Intake kit available      Applications updated daily at [knfilters.com](http://knfilters.com) ®

**Partial Listing - Complete List of Vehicles and Applications at [knfilters.com](http://knfilters.com)**

# HONDA

# AIR & OIL FILTERS

Vehicle	Engine Type	Air Filter	Oil Filter	Vehicle	Engine Type	Air Filter	Oil Filter
<b>1992 HONDA</b>				<b>1992 HONDA</b>			
Civic II	1.4L L4 F/I	E-9071		VFR750F Interceptor	739	HA-0003	KN-303C
Civic II	1.6L L4 F/I	33-2025		VT600C Shadow VLX	600	HA-6088	KN-303
Civic IV	1.3L L4 F/I	E-2980				HA-6088	KN-303C
Civic IV	1.5L L4 F/I	33-2047 ♦		VT1100C Shadow	1100	HA-1187	KN-303
Civic IV	1.6L L4 F/I	33-2047 ♦				HA-1187	KN-303C
Civic LX	1.5L L4 F/I	33-2047 ♦	HP-1004	VT1100CL Shadow	1100	HA-1187	KN-303
Civic Si	1.6L L4 F/I	33-2047 ♦	HP-1004			HA-1187	KN-303C
Civic VX	1.5L L4 F/I	33-2047	HP-1004	XL600V Transalp	583	HA-6089	KN-303
CN250 Helix	250	HA-2586				HA-6089	KN-303C
Concerto	1.6L L4 F/I	33-2605		XR80R	80	HA-1088	
CR125R	125	HA-2591		XR100R	100	HA-1088	
CR250R	250	HA-2591		XR200R	200	HA-2584	KN-112
CR80R	82	HA-8086		XR250L	250	HA-1312	KN-112
CRX III	1.6L L4 F/I	33-2047 ♦		XR250R	250	HA-1312	KN-112
GL1500 Gold Wing	1500		KN-303	XR600R	600	HA-1315	KN-112
			KN-303C	XR750 Africa Twin	742	HA-6089	KN-303
GL1500A Gold Wing Aspenade	1520	HA-8088	KN-303			HA-6089	KN-303C
		HA-8088	KN-303C	<b>1991 HONDA</b>			
		HA-8088	KN-303C	Accord	2.2L L4 F/I	33-2613	HP-1004
GL1500i Gold Wing Interstate	1520	HA-8088	KN-303	Accord IV	2.0L L4 F/I - 133BHP	33-2613	
		HA-8088	KN-303C	Accord IV	2.0L L4 F/I - Exc., 133BHP	E-9180	
		HA-8088	KN-303C	Accord IV	2.2L L4 F/I	33-2613	HP-1004
GL1500SE Gold Wing SE	1520	HA-8088	KN-303	CB400F CB-1	400		KN-303
		HA-8088	KN-303C			HA-0004	KN-303C
		HA-8088	KN-303C	CB400RR - NC29	400	HA-0004	KN-303
Legend	3.2L V6 F/I	33-2089		CB650 F2	650		KN-303C
NSX	3.0L V6 F/I	33-2713					KN-303
NT400 Bros	400	HA-0005	KN-303	CB750 Nighthawk	750	HA-7591	KN-303
		HA-0005	KN-303C			HA-7591	KN-303C
NT650 Bros	650	HA-0005	KN-303	CBR600 Hurricane	600		KN-303
		HA-0005	KN-303C				KN-303C
NT650 Hawk GT	650	HA-0005	KN-303	CBR600F2	600	HA-6091	KN-303
		HA-0005	KN-303C			HA-6091	KN-303C
NTV600	600		KN-303	CBR1000F	1006	HA-1087	KN-303
			KN-303C			HA-1087	KN-303C
NX250	250		KN-112	CBX250 RSE	250		KN-112
NX650 Dominator	650	HA-0001	KN-112	Civic	1.5L L4 F/I	33-2025 ♦	HP-1004
Prelude	2.2L L4 F/I	33-2090	HP-1004	Civic	1.6L L4 F/I	33-2025 ♦	HP-1004
Prelude	2.3L L4 F/I	33-2090	HP-1004	Civic II	1.4L L4 F/I	E-9071	
Prelude III	2.0L L4 F/I - B20A1 Eng., B20A5 Eng.	33-2521		Civic II	1.5L L4 F/I	33-2025 ♦	
Prelude III	2.0L L4 F/I - B20A9 Eng.	E-2425		Civic II	1.6L L4 F/I	33-2025	
Prelude IV	2.0L L4 F/I	33-2090		Civic III	1.3L L4 CARB	E-2980	
Prelude IV	2.2L L4 F/I	33-2090 ♦	HP-1004	Civic III	1.5L L4 F/I	33-2025 ♦	
Prelude IV	2.3L L4 F/I	33-2090 ♦	HP-1004	Civic III	1.6L L4 F/I - Exc., VTEC	33-2025 ♦	
ST1100	1100	HA-1191	KN-303	Civic III	1.6L L4 F/I - VTEC	33-2061 ♦	
		HA-1191	KN-303C	Civic IV	1.3L L4 F/I	E-2980	
ST1100 A	1100		KN-303	Civic IV	1.5L L4 F/I	33-2047 ♦	
			KN-303C	Civic IV	1.6L L4 F/I	33-2047 ♦	
ST1100 ABS II	1100		KN-303	CN250 Fusion	250	HA-2586	
			KN-303C	Concerto	1.6L L4 F/I	33-2605	
ST1100 Pan European	1100		KN-303	CR125R	125	HA-2591	
			KN-303C	CR250R	250	HA-2591	
			KN-303C	CR500R	500	HA-2591	
TRX200D Fourtrax	199	HA-2090	KN-113	CR80R	82	HA-8086	
TRX250X Fourtrax	250	HA-2504	KN-112	CRX	1.5L L4 F/I	33-2025 ♦	HP-1004
TRX300 Fourtrax	280	HA-3093	KN-113	CRX	1.6L L4 F/I		HP-1004
TRX300FW Fourtrax 4x4	300	HA-3093	KN-113	CRX	1.6L L4 F/I - US	33-2025 ♦	HP-1004
VFR400R - NC30	399		KN-303	CRX HF	1.5L L4 F/I	33-2025	HP-1004
			KN-303C	CRX II	1.6L L4 F/I		HP-1004
VFR750F Interceptor	739	HA-0003	KN-303	CRX II	1.6L L4 F/I - Exc., VTEC	33-2025 ♦	HP-1004
			KN-303C	CRX II	1.6L L4 F/I - VTEC	33-2061 ♦	HP-1004

\*Indicates 2 filters required

♦ - Intake kit available

Applications updated daily at [knfilters.com](http://knfilters.com) ®

# AIR & OIL FILTERS

# HONDA

Vehicle	Engine Type	Air Filter	Oil Filter	Vehicle	Engine Type	Air Filter	Oil Filter
<b>1991 HONDA</b>				<b>1991 HONDA</b>			
GL1500 Gold Wing	1500		KN-303	XR750 Africa Twin	742	HA-6089	KN-303
			KN-303C			HA-6089	KN-303C
GL1500A Gold Wing Aspencaide	1520	HA-8088	KN-303	<b>1990 HONDA</b>			
		HA-8088	KN-303C	Accord	2.2L L4 F/I	33-2613	HP-1004
GL1500i Gold Wing Interstate	1520	HA-8088	KN-303	Accord IV	2.0L L4 F/I - 133BHP	33-2613	
		HA-8088	KN-303C	Accord IV	2.0L L4 F/I - Exc., 133BHP	E-9180	
GL1500SE Gold Wing SE	1520	HA-8088	KN-303	Accord IV CB400F	2.2L L4 F/I	33-2613	HP-1004
		HA-8088	KN-303C		400		KN-303
Legend	3.2L V6 F/I	33-2089		CB400F CB-1	400		KN-303C
NSX	3.0L V6 F/I	33-2713		CB450DXK	450		KN-111
NT400 Bros	400	HA-0005	KN-303	CBR600F	600	HA-6087	KN-303
		HA-0005	KN-303C			HA-6087	KN-303C
NT650 Bros	650	HA-0005	KN-303	CBR1000F	1006	HA-1087	KN-303
		HA-0005	KN-303C			HA-1087	KN-303C
NT650 Hawk GT	650	HA-0005	KN-303	CBX250 RSE	250		KN-112
		HA-0005	KN-303C	Civic	1.5L L4 F/I	33-2025 ♦	HP-1004
NTV600	600		KN-303	Civic	1.6L L4 F/I	33-2025 ♦	HP-1004
			KN-303C	Civic II	1.4L L4 F/I	E-9071	
NTV650	647		KN-303	Civic II	1.5L L4 F/I	33-2025 ♦	
			KN-303C	Civic II	1.6L L4 F/I	33-2025	
NX250	250		KN-112	Civic III	1.3L L4 CARB	E-2980	
NX650 Dominator	650	HA-0001	KN-112	Civic III	1.4L L4 F/I	E-9071	
Prelude	2.0L L4 F/I	E-2425	HP-1004	Civic III	1.5L L4 F/I	33-2025 ♦	
Prelude	2.1L L4 F/I		HP-1004	Civic III	1.6L L4 F/I - Exc., VTEC	33-2025 ♦	
Prelude III	2.0L L4 F/I - B20A1 Eng., B20A5 Eng.	33-2521		Civic III	1.6L L4 F/I - VTEC	33-2061 ♦	
Prelude III	2.0L L4 F/I - B20A9 Eng.	E-2425		Concerto	1.6L L4 F/I	33-2605	
RC30	750		KN-303	CR125R	125	HA-2591	
			KN-303C	CR500R	500	HA-2591	
ST1100	1100	HA-1191	KN-303	CR80R	82	HA-8086	
		HA-1191	KN-303C	CRX	1.5L L4 F/I	33-2025 ♦	HP-1004
ST1100 A	1100		KN-303	CRX	1.6L L4 F/I	33-2025 ♦	HP-1004
			KN-303C	CRX HF	1.5L L4 F/I	33-2025	HP-1004
ST1100 Pan European	1100		KN-303	CRX II	1.6L L4 F/I		HP-1004
			KN-303C	CRX II	1.6L L4 F/I - Exc., VTEC	33-2025 ♦	HP-1004
			KN-303C	CRX II	1.6L L4 F/I - VTEC	33-2061 ♦	HP-1004
TRX200D Fourtrax	199	HA-2090	KN-113	FL400R Pilot	400	HA-4400	
TRX250X Fourtrax	251	HA-2504	KN-112	GB500	499		KN-112
TRX300 Fourtrax	280	HA-3093	KN-113	GL1500 Gold Wing	1520	HA-8088	KN-303
TRX300FW Fourtrax 4x4	300	HA-3093	KN-113			HA-8088	KN-303C
VFR400R - NC30	399		KN-303	GL1500SE Gold Wing SE	1520	HA-8088	KN-303
			KN-303C			HA-8088	KN-303C
VFR750F Interceptor	739	HA-0003	KN-303	Legend	3.2L V6 F/I	33-2089	
		HA-0003	KN-303C	NT400 Bros	400	HA-0005	KN-303
VT600C Shadow VLX	600	HA-6088	KN-303			HA-0005	KN-303C
		HA-6088	KN-303C	NT650 Bros	650	HA-0005	KN-303
VT1100C Shadow	1100	HA-1187	KN-303			HA-0005	KN-303C
		HA-1187	KN-303C	NT650 Hawk GT	650	HA-0005	KN-303
XL250	250		KN-112			HA-0005	KN-303C
XL250 R Baja	250		KN-112	NTV600	600		KN-303
XL600V Transalp	583	HA-6089	KN-303				KN-303C
		HA-6089	KN-303C	NTV650	647		KN-303
XR80R	80	HA-1088					KN-303C
XR100R	100	HA-1088		NX250	250		KN-112
XR200R	200	HA-2584	KN-112	NX650 Dominator	650	HA-0001	KN-112
XR250L	250	HA-1312	KN-112	PC800 Pacific Coast	792	HA-8089	KN-303
XR250R	250	HA-1312	KN-112			HA-8089	KN-303C
XR600R	600	HA-1315	KN-112	Prelude	2.0L L4 CARB	E-2425	HP-1004
				Prelude	2.0L L4 F/I	E-2425	HP-1004

\*Indicates 2 filters required    ♦ - Intake kit available    Applications updated daily at [knfilters.com](http://knfilters.com) ®

**Partial Listing - Complete List of Vehicles and Applications at [knfilters.com](http://knfilters.com)**



# AIR & OIL FILTERS

# HONDA

Vehicle	Engine Type	Air Filter	Oil Filter	Vehicle	Engine Type	Air Filter	Oil Filter
<b>1989 HONDA</b>				<b>1988 HONDA</b>			
XRV650 Africa Twin	650 - PD03		KN-303C	TRX350D Foreman 4x4	350	HA-4435	KN-113
<b>1988 HONDA</b>				VF750C Magna	747	HA-7598	KN-202
Accord	2.0L L4 CARB	E-9030	HP-1004	VFR400 Pro-Arm	400		KN-303
Accord	2.0L L4 F/I	33-2521	HP-1004				KN-303C
Accord III	1.6L L4 CARB	E-9030		VFR700 Interceptor	700		KN-202
Accord III	2.0L L4 CARB	E-9030		VFR750F Interceptor	750	HA-7587	KN-303
Accord III	2.0L L4 F/I	33-2521				HA-7587	KN-303C
CB350S	350		KN-111	VT250 Integra	250		KN-111
CB450SG	450		KN-111	VT500C Shadow	500		KN-202
CBR600F	600	HA-6087	KN-303	VT500FT Ascot	500		KN-202
		HA-6087	KN-303C	VT600C Shadow VLX	600	HA-6088	KN-303
CBR1000F	1062	HA-1087	KN-303			HA-6088	KN-303C
		HA-1087	KN-303C	VT800C Shadow	800		KN-202
CBX250 RSE	250		KN-112	VT1100C Shadow	1100	HA-1187	KN-202
Civic	1.5L L4 F/I	33-2025 ♦	HP-1004	VTR250 Interceptor	250		KN-111
Civic	1.6L L4 F/I	33-2025 ♦	HP-1004	XBR500	500		KN-112
Civic II	1.4L L4 F/I	E-9071		XL250	250		KN-112
Civic II	1.5L L4 F/I	33-2025 ♦		XL600R	600		KN-112
Civic II	1.6L L4 F/I	33-2025		XL600V Transalp	600		KN-303
Civic III	1.3L L4 CARB	E-2980					KN-303C
Civic III	1.4L L4 F/I	E-9071		XR80R	80	HA-1088	
Civic III	1.5L L4 F/I	33-2025 ♦		XR100R	100	HA-1088	
Civic III	1.6L L4 F/I - Exc., VTEC	33-2025 ♦		XR200R	200	HA-2584	KN-112
Civic III	1.6L L4 F/I - VTEC	33-2061 ♦		XR250R	250	HA-1312	KN-112
CN250 Fusion	250	HA-2586		XR600R	600	HA-1315	KN-112
CRX	1.5L L4 F/I	33-2025 ♦	HP-1004	XRV650 Africa Twin	650 - PD03		KN-303
CRX	1.6L L4 F/I	33-2025 ♦	HP-1004				KN-303C
CRX HF	1.5L L4 F/I	33-2025	HP-1004	<b>1987 HONDA</b>			
CRX II	1.6L L4 F/I		HP-1004	Accord	2.0L L4 CARB	E-9030	HP-1004
CRX II	1.6L L4 F/I - Exc., VTEC	33-2025 ♦	HP-1004	Accord	2.0L L4 F/I	33-2521	HP-1004
GL1200	1200		KN-401	Accord III	1.6L L4 CARB	E-9030	
GL1500 Gold Wing	1520	HA-8088	KN-303	Accord III	2.0L L4 CARB	E-9030	
		HA-8088	KN-303C	Accord III	2.0L L4 F/I	33-2521	
Integra	1.6L L4 F/I	33-2021		ATC250ES Big Red	250		KN-112
NT400 Bros	400	HA-0005	KN-303	ATC250SX	250	HA-2410	KN-113
		HA-0005	KN-303C	CB350S	350		KN-111
NT650 Bros	650	HA-0005	KN-303	CB450SG	450		KN-111
		HA-0005	KN-303C	CBR600F	600	HA-6087	KN-303
NT650 Hawk GT	650	HA-0005	KN-303			HA-6087	KN-303C
		HA-0005	KN-303C	CBR1000F	1062	HA-1087	KN-303
NTV600	600		KN-303			HA-1087	KN-303C
			KN-303C	CBX250 RSE	250		KN-112
NTV650	650		KN-303	Civic	1.3L L4 CARB	E-2730	
			KN-303C	Civic	1.5L L4 CARB	E-2730	
NX250	250		KN-112	Civic	1.5L L4 F/I	33-2021	
NX650 Dominator	650	HA-0001	KN-112	Civic I	1.5L L4 CARB	E-2730	
Prelude	2.0L L4 CARB		HP-1004	Civic I	1.5L L4 F/I	33-2021 ♦	
Prelude	2.0L L4 F/I	33-2521	HP-1004	Civic II	1.3L L4 CARB	E-2730	
Prelude III	2.0L L4 CARB		HP-1004	Civic II	1.5L L4 CARB	E-2730	
Prelude III	2.0L L4 F/I		HP-1004	Civic II	1.5L L4 F/I	33-2021 ♦	
Prelude III	2.0L L4 F/I - B20A1 Eng., B20A5 Eng.	33-2521	HP-1004	Civic II	1.6L L4 F/I	33-2025	
Prelude III	2.0L L4 F/I - B20A9 Eng.	E-2425	HP-1004	Civic III	1.3L L4 CARB	E-2980	
RC30	750		KN-303	Civic III	1.5L L4 F/I	33-2025 ♦	
			KN-303C	Civic III	1.6L L4 F/I - Exc., VTEC	33-2025 ♦	
TRX125	125	HA-0510		Civic III	1.6L L4 F/I - VTEC	33-2061 ♦	
TRX200SX Fourtrax	200	HA-0510		CMX450C Rebel	450		KN-111
TRX250R Fourtrax	250	HA-4250		CN250 Helix	250	HA-2586	
TRX250X Fourtrax	250	HA-2504	KN-112	CRX	1.5L L4 3 BBL.	E-2730	
TRX300 Fourtrax	300	HA-3093	KN-113	CRX	1.5L L4 3 BBL. - EW3 Eng.	E-2734	
TRX300FW Fourtrax 4x4	300	HA-3093	KN-113	CRX I	1.3L L4 CARB	E-2730	
				CRX I	1.6L L4 F/I - Exc., VTEC, from 10/87	33-2025 ♦	

\*Indicates 2 filters required      ♦ - Intake kit available      Applications updated daily at [knfilters.com](http://knfilters.com) ®

**Partial Listing - Complete List of Vehicles and Applications at [knfilters.com](http://knfilters.com)**

# HONDA

# AIR & OIL FILTERS

Vehicle	Engine Type	Air Filter	Oil Filter	Vehicle	Engine Type	Air Filter	Oil Filter
<b>1987 HONDA</b>				<b>1986 HONDA</b>			
CRX I	1.6L L4 F/I - to 9/87	33-2021 ♦		ATC200S	200	HA-0510	
GL1200	1200		KN-401	ATC250ES Big Red	250		KN-112
GL1200 Gold Wing	1200		KN-401	ATC250R	250	HA-2440	
GL1200A Gold Wing	1200	HA-8084	KN-401	ATC250SX	250	HA-2410	KN-113
Aspencade				ATC350X	350	HA-3350	KN-113
GL1200i Gold Wing	1200	HA-8084	KN-401	Ballade	1.5L L4 F/I - EXi	33-2021	
Interstate				CB350S	350		KN-111
Prelude	1.8L L4 CARB	E-2925	HP-1004	CB450SC	450		KN-111
Prelude	2.0L L4 F/I	33-2521	HP-1004	CB450SG	450		KN-111
Prelude II	1.8L L4 CARB	E-2925	HP-1004	CB700SC Nighthawk S	700	HA-7084	KN-202
Prelude III	2.0L L4 CARB		HP-1004				
Prelude III	2.0L L4 F/I		HP-1004	CBX250 RSE	250		KN-112
Prelude III	2.0L L4 F/I - B20A1 Eng., B20A5 Eng.	33-2521	HP-1004	CBX550	550		KN-111
Prelude III	2.0L L4 F/I - B20A9 Eng.	E-2425	HP-1004	CBX750	750	HA-7591	KN-202
TLR250	250		KN-112	Civic	1.3L L4 CARB	E-2730	
TRX125	125	HA-0510		Civic	1.5L L4 CARB	E-2730	
TRX200SX Fourtrax	200	HA-0510		Civic	1.5L L4 F/I	33-2021	
TRX250	250		KN-113	Civic I	1.5L L4 CARB	E-2730	
TRX250 Fourtrax	250	HA-2410	KN-112	Civic II	1.3L L4 CARB	E-2730	
TRX250R Fourtrax	250	HA-4250		Civic II	1.5L L4 CARB	E-2730	
TRX250X Fourtrax	250	HA-2504	KN-112	Civic II	1.5L L4 F/I	33-2021 ♦	
TRX300FW Fourtrax 4x4	300		KN-113	CMX450C Rebel	450		KN-111
TRX350 Fourtrax 4x4	350	HA-4435	KN-113	CN250 Helix	250	HA-2586	
TRX350D Foreman 4x4	350	HA-4435	KN-113	CR80R	80	HA-8086	
VF500F Interceptor	500		KN-202	CRX I	1.3L L4 CARB	E-2730	
VF700C Magna	747	HA-7598	KN-202	CRX I	1.5L L4 F/I	33-2021	
VF750C Magna	750	HA-7598	KN-202	CRX I	1.6L L4 F/I	33-2021	
VFR400 Pro-Arm	400		KN-303	CX650 ED Eurosport	650		KN-111
			KN-303C	CX650T Turbo	650		KN-111
VFR400R	400		KN-303	GL650 Silver Wing	650		KN-111
			KN-303C	GL1200	1200		KN-401
VFR700F Interceptor	700		KN-202	GL1200 Gold Wing	1200		KN-401
VFR700F2	700	HA-7587	KN-202	GL1200 Gold Wing SE-i	1200	HA-8085	KN-401
Interceptor				GL1200A Gold Wing	1200	HA-8084	KN-401
VFR750F Interceptor	750		KN-202	Aspencade			
VT250	250		KN-111	GL1200i Gold Wing	1200	HA-8084	KN-401
VT250 Integra	250		KN-111	Interstate			
VT500 EF Eurosport	500		KN-202	Prelude	1.8L L4 CARB	E-2925	HP-1004
VT500C Shadow	500		KN-202	Prelude	2.0L L4 F/I	33-2521	HP-1004
VT500FT Ascot	500		KN-202	Prelude II	1.8L L4 CARB	E-2925	HP-1004
VT700C Shadow	700		KN-202	Prelude III	2.0L L4 F/I		HP-1004
VT1100C Shadow	1100	HA-1187	KN-202	Prelude III	2.0L L4 F/I - B20A1 Eng., B20A5 Eng.	33-2521	HP-1004
XBR500	500		KN-112	TLR250	250		KN-112
XL250	250		KN-112	TRX125	125	HA-0510	
XL350R	350		KN-112	TRX200SX Fourtrax	200	HA-0510	
XL600L	600		KN-112	TRX250	250		KN-113
XL600R	600		KN-112	TRX250 Fourtrax	250	HA-2410	KN-112
XL600V Transalp	600		KN-303	TRX250R Fourtrax	250	HA-4250	
			KN-303C	TRX250X Fourtrax	250		KN-113
XR80R	80	HA-1088		TRX350 Fourtrax 4x4	350	HA-4435	KN-113
XR100R	100	HA-1088		VF400FD	400		KN-202
XR200R	200	HA-2584	KN-112	VF500F Interceptor	500	HA-3084	KN-202
XR250R	250	HA-1312	KN-112	VF700C Magna	700	HA-1210	KN-202
XR350R	350		KN-112	VF1000F	1000	HA-1250	KN-202
XR600R	600	HA-1315	KN-112	VF1000R	1000	HA-1250	KN-202
				VF1100C V65 Magna	1100	HA-6583	KN-202
				VFR700F Interceptor	700	HA-7587	KN-202
				VFR700F2	700	HA-7587	KN-202
				Interceptor			
				VFR750F Interceptor	750	HA-7587	KN-202
				VT250	250		KN-111
				VT250 Integra	250		KN-111
				VT500 EF Eurosport	500		KN-202
<b>1986 HONDA</b>							
Accord	2.0L L4 CARB	E-9030	HP-1004				
Accord	2.0L L4 F/I	33-2521	HP-1004				
Accord III	1.6L L4 CARB	E-9030					
Accord III	2.0L L4 CARB	E-9030					
Accord III	2.0L L4 F/I	33-2521					

\*Indicates 2 filters required

♦ - Intake kit available

Applications updated daily at [knfilters.com](http://knfilters.com) ®

# AIR & OIL FILTERS

# HONDA

Vehicle	Engine Type	Air Filter	Oil Filter	Vehicle	Engine Type	Air Filter	Oil Filter
<b>1986 HONDA</b>				<b>1985 HONDA</b>			
VT500C Shadow	500	HA-5083	KN-202	Prelude	1.8L L4 CARB	E-2925	HP-1004
VT500FT Ascot	500		KN-202	Prelude	2.0L L4 F/I	33-2521	HP-1004
VT700C Shadow	700		KN-202	Prelude II	1.8L L4 CARB	E-2925	HP-1004
VT1100C Shadow	1100		KN-202	TLR250	250		KN-112
XBR500	500		KN-112	TRX125	125	HA-0510	
XL250	250		KN-112	TRX250	250		KN-113
XL350R	350		KN-112	TRX250 Fourtrax	250	HA-2410	KN-112
XL600L	600		KN-112	VF400FD	400		KN-202
XL600R	600		KN-112	VF500C V30 Magna	500	HA-3010	KN-202
XR80R	80	HA-1088		VF500F Interceptor	500	HA-3084	KN-202
XR100R	100	HA-1088		VF700C Magna	700	HA-1210	KN-202
XR200R	200	HA-2584	KN-112	VF700F Interceptor	700	HA-1245	KN-202
XR250R	250	HA-1312	KN-112	VF700S Sabre	700		KN-202
XR350R	350		KN-112	VF750	750		KN-202
XR600R	600	HA-1315	KN-112	VF1000F	1000	HA-1250	KN-202
<b>1985 HONDA</b>				<b>1984 HONDA</b>			
Accord	1.8L L4 CARB	E-2764	HP-1004	Accord	1.8L L4 CARB	E-2764	HP-1004
Accord	1.8L L4 F/I		HP-1004	Accord II	1.8L L4 CARB	E-2764	
Accord II	1.6L L4 CARB	E-2764		ATC110	110	HA-0510	
Accord II	1.8L L4 CARB	E-2764		ATC125M	125	HA-0510	
Accord III	1.6L L4 CARB	E-9030		ATC200ES Big Red	200	HA-0510	
Accord III	2.0L L4 CARB	E-9030		ATC200M	200	HA-0510	
ATC110	110	HA-0510		ATC200S	200	HA-0510	
ATC125M	125	HA-0510		ATC200X	200	HA-2420	
ATC200M	200	HA-0510		ATC250ES Big Red	250		KN-112
ATC200S	200	HA-0510		ATC250R	250	HA-2440	
ATC200X	200	HA-2420		ATC250SX	250	HA-2410	KN-113
ATC250ES Big Red	250		KN-112	ATC350X	350	HA-3350	KN-113
ATC250R	250	HA-2440		CB250 Superdream	250		KN-111
ATC250SX	250	HA-2410	KN-113	CB450NF	450		KN-111
ATC350X	350	HA-3350	KN-113	CB450SC	450	HA-0850	KN-111
CB250 Superdream	250		KN-111	CB650SC Nighthawk	650	HA-5583	KN-401
CB450NF	450		KN-111	CB700SC Nighthawk S	700	HA-7084	KN-202
CB450SC	450	HA-0850	KN-111	CB750 F	750		KN-401
CB650SC Nighthawk	650	HA-5583	KN-401	CBX250 RSE	250		KN-112
CB700SC Nighthawk S	700	HA-7084	KN-202	CBX550	550		KN-111
CB750 F	750		KN-401	CBX750	750	HA-7591	KN-202
CBX250 RSE	250		KN-112	Civic	1.3L L4 CARB	E-2730	
CBX550	550		KN-111	Civic	1.5L L4 CARB	E-2730	
CBX750	750	HA-7591	KN-202	Civic	1.5L L4 F/I	33-2021	
Civic	1.3L L4 CARB	E-2730		Civic I	1.5L L4 CARB	E-2730	
Civic	1.5L L4 CARB	E-2730		Civic I	1.5L L4 F/I	33-2021 ♦	
Civic	1.5L L4 F/I	33-2021		Civic I	1.5L L4 CARB	E-2730	
Civic I	1.5L L4 CARB	E-2730		Civic II	1.3L L4 CARB	E-2730	
Civic I	1.5L L4 F/I	33-2021 ♦		Civic II	1.5L L4 CARB	E-2730	
Civic II	1.3L L4 CARB	E-2730		Civic II	1.5L L4 F/I	33-2021 ♦	
Civic II	1.5L L4 CARB	E-2730		CM250TB Custom	250		KN-111
Civic II	1.5L L4 F/I	33-2021 ♦		CR250R	250	HA-1185	
CM250TB Custom	250		KN-111	CR500R	500	HA-1185	
CR250R	250	HA-1185		CRX I	1.3L L4 CARB	E-2730	
CR500R	500	HA-1185		CRX I	1.5L L4 F/I	33-2021	
CRX I	1.3L L4 CARB	E-2730		FL350R Odyssey	350	HA-4350	
CRX I	1.5L L4 F/I	33-2021		GL1100 Gold Wing	1100		KN-401
FL350R Odyssey	350	HA-4350		GL1200	1200		KN-401
GL1100 Gold Wing	1100		KN-401	GL1200 Gold Wing	1200		KN-401
GL1200	1200		KN-401	GL1200A Gold Wing	1200	HA-8084	KN-401
GL1200 Gold Wing	1200		KN-401	Aspencaade			
GL1200A Gold Wing	1200	HA-8084	KN-401	GL1200i Gold Wing	1200	HA-8084	KN-401
Aspencaade				Interstate			
GL1200i Gold Wing	1200	HA-8084	KN-401	GL1200L Gold Wing	1200	HA-8085	KN-401
Interstate				Limited Edition			
GL1200L Gold Wing	1200	HA-8085	KN-401				
Limited Edition							

\*Indicates 2 filters required

♦ - Intake kit available

Applications updated daily at [knfilters.com](http://knfilters.com) ®

Partial Listing - Complete List of Vehicles and Applications at [knfilters.com](http://knfilters.com)

# HONDA

# AIR & OIL FILTERS

Vehicle	Engine Type	Air Filter	Oil Filter	Vehicle	Engine Type	Air Filter	Oil Filter
<b>1984 HONDA</b>				<b>1983 HONDA</b>			
Civic I	1.5L L4 F/I	33-2021 ♦		CB250 RSD	250		KN-111
Civic II	1.3L L4 CARB	E-2730		CB250 Superdream	250		KN-111
Civic II	1.5L L4 CARB	E-2730		CB400	400		KN-111
Civic II	1.5L L4 F/I	33-2021 ♦		CB400A Hondamatic	400		KN-111
CM250TB Custom	250		KN-111	CB450SC	450	HA-0850	KN-111
CR125R	125	HA-1100		CB550SC Nighthawk	550	HA-5583	KN-401
CR250R	250	HA-1100		CB650 SC	650		KN-401
CRX I	1.5L L4 F/I	33-2021		CB650 SCC	650		KN-401
CX400 EC	400		KN-111	CB650SC Nighthawk	650	HA-5583	KN-401
CX500 EC Eurosport	500		KN-111	CB750 F	750		KN-401
CX500C Custom	500		KN-111	CB750SC Nighthawk	750	HA-1079	KN-401
CX650 ED Eurosport	650		KN-111	CB900	900		KN-401
CX650T Turbo	650		KN-111	CB1000C	1000	HA-1079	KN-401
FL250 Odyssey	250	HA-1294		CB1100F	1100	HA-1079	KN-401
GL650 Silver Wing	650		KN-111	CB1100R	1100		KN-401
GL1100 Gold Wing	1100		KN-401	CBX250 RSE	250		KN-112
GL1200	1200		KN-401	CBX400 F	400		KN-111
GL1200 Gold Wing	1200	HA-8084	KN-401	CBX550	550		KN-111
GL1200A Gold Wing	1200	HA-8084	KN-401	Civic	1.3L L4 CARB	E-2740	
Aspencade				Civic	1.5L L4 CARB	E-2740	
GL1200i Gold Wing	1200	HA-8084	KN-401	Civic I	1.3L L4 CARB - Exc., 71BHP	E-2660	
Interstate				Civic II	1.3L L4 CARB	E-2730	
Prelude	1.8L L4 CARB	E-2925	HP-1004	Civic II	1.5L L4 CARB	E-2730	
Prelude II	1.8L L4 CARB	E-2925	HP-1004	Civic II	1.5L L4 F/I	33-2021 ♦	
VF400FD	400		KN-202	CM250TB Custom	250		KN-111
VF500C V30 Magna	500	HA-3010	KN-202	CM400 T Chopper	400		KN-111
VF500F Interceptor	500	HA-3084	KN-202	CM450A Hondamatic	450	HA-0850	KN-111
VF700C Magna	700	HA-1210	KN-202	CM450E	450	HA-0850	KN-111
VF700F Interceptor	700	HA-1245	KN-202	CR125R	125	HA-1100	
VF700S Sabre	700		KN-202	CR250R	250	HA-1100	
VF750	750		KN-202	CR480R	480	HA-1100	
VF750F V45	750	HA-1245	KN-202	CX400 EC	400		KN-111
Interceptor				CX500	500		KN-111
VF1000F	1000	HA-1250	KN-202	CX500 EC Eurosport	500		KN-111
VF1000F Interceptor	1000		KN-202	CX500C Custom	500		KN-111
VF1000R	1000		KN-202	CX500TC Turbo	500		KN-111
VF1100	1100		KN-202	CX650 ED Eurosport	650		KN-111
VF1100C V65 Magna	1062	HA-6583	KN-202	CX650C Custom	650		KN-111
VF1100S Sabre	1062		KN-202	CX650T Turbo	650		KN-111
VT250	250		KN-111	FL250 Odyssey	250	HA-1294	
VT500 ED Eurosport	500		KN-202	GL650 Silver Wing	650		KN-111
VT500C Shadow	500	HA-5083	KN-202	GL650i Silver Wing	650	HA-0783	KN-111
VT500FT Ascot	500	HA-5083	KN-202	Interstate			
VT700C Shadow	700	HA-1326	KN-202	GL1100 A Aspencade	1100		KN-401
XL250	250		KN-112	GL1100 Gold Wing	1100	HA-8080	KN-401
XL350R	350		KN-112	Prelude	1.8L L4 CARB	E-2925	HP-1004
XL600L	600		KN-112	Prelude II	1.8L L4 CARB	E-2925	HP-1004
XL600R	600		KN-112	VF400FD	400		KN-202
XLX250	250		KN-112	VF750	750		KN-202
XR200R	200	HA-2584	KN-112	VF750C Magna	750	HA-1210	KN-202
XR250R	250	HA-2584	KN-112	VF750F V45	750	HA-1245	KN-202
XR350R	350	HA-1312	KN-112	Interceptor			
XR500	500		KN-112	VF750S Sabre	750		KN-202
XR500R	500	HA-1303	KN-112	VF1100C V65 Magna	1100	HA-6583	KN-202
<b>1983 HONDA</b>				VT250	250		KN-111
Accord	1.8L L4 CARB	E-2790		VT500 ED Eurosport	500		KN-202
Accord II	1.6L L4 CARB	E-2764		VT500C Shadow	500	HA-5083	KN-202
Accord II	1.8L L4 CARB	E-2764		VT500FT Ascot	500	HA-5083	KN-202
ATC110	110	HA-0510		VT750C Shadow	750	HA-1326	KN-202
ATC185S	185	HA-0510		XL250 ProLink	250		KN-112
ATC200E Big Red	200	HA-0510		XL600L	600		KN-112
ATC200X	200	HA-2420		XL600R	600		KN-112
ATC250R	250	HA-2410		XLX250	250		KN-112
CB250 RSA	250		KN-111	XR200R	200	HA-1050	KN-112

\*Indicates 2 filters required

♦ - Intake kit available

Applications updated daily at [knfilters.com](http://knfilters.com) ®



# AIR & OIL FILTERS

# HONDA

Vehicle	Engine Type	Air Filter	Oil Filter	Vehicle	Engine Type	Air Filter	Oil Filter
<b>1983 HONDA</b>				<b>1982 HONDA</b>			
XR250R	250		KN-112	XR500R	500	HA-1000	KN-112
XR350R	350	HA-1312	KN-112	<b>1981 HONDA</b>			
XR500	500		KN-112	Accord	1.8L L4 CARB	E-2790	
XR500R	500	HA-1303	KN-112	CB250	250		KN-111
<b>1982 HONDA</b>				CB250 RSA	250		KN-111
Accord	1.8L L4 CARB	E-2790		CB250 Superdream	250		KN-111
ATC200E Big Red	200	HA-0510		CB400	400		KN-111
CB250	250		KN-111	CB400 Hawk	400		KN-111
CB250 RSA	250		KN-111	CB400A Hondamatic	400		KN-111
CB250 RSD	250		KN-111	CB650	650	HA-7580	KN-401
CB250 Superdream	250		KN-111	CB650C	650	HA-7580	KN-401
CB400	400		KN-111	CB650SC Nighthawk	650		KN-401
CB400A Hondamatic	400		KN-111	CB750 F	750		KN-401
CB450SC	450	HA-0850	KN-111	CB750C Custom	750	HA-1079	KN-401
CB550SC Nighthawk	550		KN-401	CB750F Super Sport	750	HA-1079	KN-401
CB650	650	HA-7580	KN-401	CB750K Four	750	HA-1079	KN-401
CB650 SCC	650		KN-401	CB750SC Nighthawk	750	HA-1079	KN-401
CB650C	650		KN-401	CB900 Bol d 'Or	900		KN-401
CB650SC Nighthawk	650	HA-7580	KN-401	CB900 F 900	900		KN-401
CB750 F	750		KN-401	Supersport			
CB750C Custom	750	HA-1079	KN-401	CB900C	900	HA-1079	KN-401
CB750F Super Sport	750	HA-1079	KN-401	CB900F	900	HA-1079	KN-401
CB750K Four	750	HA-1079	KN-401	CB1100R	1100		KN-401
CB750SC Nighthawk	750	HA-1079	KN-401	CBX550	550		KN-111
CB900 Bol d 'Or	900		KN-401	CBX1000	1047	HA-0900	KN-401
CB900 F 900	900		KN-401	CBX1000 ProLink	1000		KN-401
Supersport				Civic	1.3L L4 CARB - US	E-2740	
CB900C	900	HA-1079	KN-401	Civic	1.5L L4 CARB	E-2740	
CB900F	900	HA-1079	KN-401	Civic I	1.3L L4 CARB - Exc., 71BHP	E-2660	
CB1100R	1100		KN-401	CM250TB Custom	250		KN-111
CBX550	550		KN-111	CM400 T Chopper	400		KN-111
CBX1000	1047	HA-0900	KN-401	CM400A	400	HA-0850	KN-111
CBX1000 ProLink	1000		KN-401	CM400C	400	HA-0850	KN-111
Civic	1.3L L4 CARB	E-2740		CM400E	400	HA-0850	KN-111
Civic	1.5L L4 CARB	E-2740		CM400T	400	HA-0850	KN-111
Civic I	1.3L L4 CARB - Exc., 71BHP	E-2660		CR125R	125	HA-1100	
CM250TB Custom	250		KN-111	CR250R	250	HA-1100	
CM400 T Chopper	400		KN-111	CX500	500		KN-111
CM450A Hondamatic	450	HA-0850	KN-111	CX500C Custom	500	HA-0700	KN-111
CM450C Custom	450	HA-0850	KN-111	CX500D Deluxe	500	HA-0700	KN-111
CM450E	450	HA-0850	KN-111	GL500 Silver Wing	500		KN-111
CR125R	125	HA-1100		GL500i Silver Wing	500	HA-0700	KN-111
CR250R	250	HA-1100		Interstate			
CR480R	480	HA-1100		GL1100 Gold Wing	1100	HA-8080	KN-401
CX400 EC	400		KN-111	XR200R	200	HA-1050	KN-112
CX500	500		KN-111	XR250R	250	HA-1000	
CX500 EC Eurosport	500		KN-111	XR500	500		KN-112
CX500C Custom	500	HA-0700	KN-111	XR500R	500	HA-1000	KN-112
CX500TC Turbo	500		KN-111	<b>1980 HONDA</b>			
FL250 Odyssey	250	HA-1294		CB250	250		KN-111
GL500 Silver Wing	500		KN-111	CB250 RSA	250		KN-111
GL500i Silver Wing	500	HA-0700	KN-111	CB400 Hawk	400		KN-111
Interstate				CB400 Super Dream	400		KN-111
GL1100 A Aspencade	1100		KN-401	CB400A Hondamatic	400		KN-111
GL1100 Gold Wing	1100	HA-8080	KN-401	CB650	650	HA-0750	KN-401
Prelude	1.8L L4 CARB	E-2790		CB650C	650	HA-7580	KN-401
VF750C Magna	750	HA-1210	KN-202	CB650SC Nighthawk	650		KN-401
VF750S Sabre	750		KN-202	CB750 F	750		KN-401
VF1100C V65 Magna	1100		KN-202	CB750C Custom	750	HA-1079	KN-401
XL250 ProLink	250		KN-112	CB750F Super Sport	750	HA-1079	KN-401
XR200R	200	HA-1050	KN-112	CB750K Four	750	HA-1079	KN-401
XR250R	250	HA-1000	KN-112	CB900 Bol d 'Or	900		KN-401
XR500	500		KN-112	CB900 F 900	900		KN-401
				Supersport			

\*Indicates 2 filters required    ♦ - Intake kit available    Applications updated daily at [knfilters.com](http://knfilters.com) ®

**Partial Listing - Complete List of Vehicles and Applications at [knfilters.com](http://knfilters.com)**

# HONDA

# AIR & OIL FILTERS

Vehicle	Engine Type	Air Filter	Oil Filter	Vehicle	Engine Type	Air Filter	Oil Filter
<b>1980 HONDA</b>				<b>1978 HONDA</b>			
CB900C	900	HA-1079	KN-401	XR75 Mini	75	HA-0300	
CB900F	900		KN-401	<b>1977 HONDA</b>			
CBX1000	1047	HA-0900	KN-401	CB400F	400		KN-401
CBX1000 ProLink	1000		KN-401	CB500 F Four	500		KN-401
Civic	1.3L L4 CARB - US	E-2740		CB500T	500		KN-111
Civic	1.5L L4 CARB	E-2740		CB550F Super Sport	550		KN-401
Civic I	1.3L L4 CARB - Exc., 71BHP	E-2660		CB550K	550		KN-401
CM400A	400	HA-0850	KN-111	CB750	750		KN-401
CM400E	400	HA-0850	KN-111	CB750A Hondamatic	750	HA-0100	KN-401
CM400T	400	HA-0850	KN-111	CB750F Super Sport	750	HA-0100	KN-401
CX500	500		KN-111	CB750K Four	750	HA-0100	KN-401
CX500C Custom	500	HA-0700	KN-111	Civic	1.5L L4 CARB	E-2740	
CX500D Deluxe	500	HA-0700	KN-111	FL250 Odyssey	250	HA-1294	
GL1000 Gold Wing	1000		KN-401	GL1000 Gold Wing	1000	HA-0800	KN-401
GL1100 Gold Wing	1100	HA-8080	KN-401	GL1000 Gold Wing LTD	1000		KN-401
<b>1979 HONDA</b>				XL100	100	HA-0300	
CB250	250		KN-111	XR75 Mini	75	HA-0300	
CB400	400		KN-111	<b>1976 HONDA</b>			
CB400 Hawk	400		KN-111	CB400F	400		KN-401
CB400 Super Dream	400		KN-111	CB500 F Four	500		KN-401
CB400A Hondamatic	400		KN-111	CB500T	500		KN-111
CB400F	400		KN-401	CB550	550		KN-401
CB550K	550		KN-401	CB550F Super Sport	550		KN-401
CB650	650	HA-0750	KN-401	CB550K	550		KN-401
CB750 Limited Edition	750	HA-1079	KN-401	CB750	750		KN-401
CB750F Super Sport	750	HA-1079	KN-401	CB750A Hondamatic	750	HA-0100	KN-401
CB750K Four	750	HA-1079	KN-401	CB750F Super Sport	750	HA-0100	KN-401
CB900 Bol d 'Or	900		KN-401	CB750K Four	750	HA-0100	KN-401
CBX1000	1050	HA-0900	KN-401	GL1000 Gold Wing	1000	HA-0800	KN-401
CBX1000 ZA	1000		KN-401	GL1000 Gold Wing LTD	1000	HA-0800	KN-401
Civic I	1.2L L4 CARB	E-2660		XR75 Mini	75	HA-0300	
CM400A	400	HA-0850	KN-111	<b>1975 HONDA</b>			
CM400T	400	HA-0850	KN-111	CB125	125	HA-0300	
CX500	500	HA-0700	KN-111	CB400F	400		KN-401
CX500C Custom	500	HA-0700	KN-111	CB500 F Four	500		KN-401
CX500D Deluxe	500	HA-0700	KN-111	CB500T	500		KN-111
GL1000 Gold Wing	1000	HA-0800	KN-401	CB550	550		KN-401
GL1000 Gold Wing LTD	1000		KN-401	CB550F Super Sport	550		KN-401
<b>1978 HONDA</b>				CB550K	550		KN-401
CB250	250		KN-111	CB750	750		KN-401
CB400	400		KN-111	CB750F Super Sport	750	HA-0100	KN-401
CB400 Hawk	400		KN-111	CB750K Four	750	HA-0100	KN-401
CB400 Super Dream	400		KN-111	GL1000 Gold Wing	1000	HA-0800	KN-401
CB400A Hondamatic	400		KN-111	GL1000 Gold Wing LTD	1000		KN-401
CB400F	400		KN-401	XL100	100	HA-0300	
CB550K	550		KN-401	XR75 Mini	75	HA-0300	
CB750	750		KN-401	<b>1974 HONDA</b>			
CB750A Hondamatic	750	HA-0100	KN-401	CB125	125	HA-0300	
CB750F Super Sport	750	HA-0100	KN-401	CB350F	350		KN-401
CB750K Four	750	HA-0100	KN-401	CB500 F Four	500		KN-401
CBX1000	1050	HA-0900	KN-401	CB500K	500		KN-401
CBX1000 ZA	1000		KN-401	CB550	550		KN-401
Civic	1.2L L4 CARB	E-2660		CB750	750	HA-0100	KN-401
Civic	1.5L L4 CARB	E-2740		Civic I	1.2L L4 CARB	E-2660	
Civic I	1.2L L4 CARB	E-2660		XR75 Mini	75	HA-0300	
CJ360T	360		KN-401	<b>1973 HONDA</b>			
CX500	500	HA-0700	KN-111	CB350F	350		KN-401
GL1000 Gold Wing	1000	HA-0800	KN-401	CB500 F Four	500		KN-401
GL1000 Gold Wing LTD	1000		KN-401	CB500K	500		KN-401
XL100	100	HA-0300					

\*Indicates 2 filters required

◆ - Intake kit available

Applications updated daily at [knfilters.com](http://knfilters.com) ®

# AIR & OIL FILTERS

# HONDA

Vehicle	Engine Type	Air Filter	Oil Filter
<b>1973 HONDA</b>			
CB750	750	HA-0100	KN-401
<b>1972 HONDA</b>			
CB350F	350		KN-401
CB500 F Four	500		KN-401
CB500K	500		KN-401
CB750	750	HA-0100	KN-401
<b>1971 HONDA</b>			
CB100 Super Sport	100	HA-0300	
CB500K	500		KN-401
CB750	750	HA-0100	KN-401
CL100S Scrambler	100	HA-0300	
<b>1970 HONDA</b>			
CB750	750	HA-0100	KN-401
<b>1969 HONDA</b>			
CB750	750	HA-0100	KN-401
<b>2010 HUMMER</b>			
H2	6.2L V8 F/I		HP-1017
H3	3.7L L5 F/I	33-2408	HP-2006
H3	5.3L V8 F/I	33-2408	HP-1017
H3T	3.7L L5 F/I	33-2408	HP-2006
H3T	5.3L V8 F/I	33-2408	HP-1017
<b>2009 HUMMER</b>			
H2	6.2L V8 F/I		HP-1017
H3	3.7L L5 F/I	33-2408 ♦	HP-2006
H3	5.3L V8 F/I	33-2408	HP-1017
H3T	3.7L L5 F/I	33-2408 ♦	HP-2006
H3T	5.3L V8 F/I	33-2408	HP-1017
<b>2008 HUMMER</b>			
H2	6.2L V8 F/I		HP-1017
H3	3.5L L5 F/I	33-2408	
H3	3.7L L5 F/I	33-2408 ♦	HP-2006
H3	5.3L V8 F/I	33-2408	HP-1017
<b>2007 HUMMER</b>			
H2	6.0L V8 F/I	E-1985 ♦	HP-1017
H3	3.5L L5 F/I	E-0773	
H3	3.7L L5 F/I	E-0773 ♦	HP-2006
<b>2006 HUMMER</b>			
H1	6.6L V8 DSL		HP-3003
H2	6.0L V8 F/I		HP-1007
H3	3.5L L5 F/I	E-0773 ♦	HP-2006
<b>2005 HUMMER</b>			
H1	6.5L V8 DSL	E-1700	
H2	6.0L V8 F/I		HP-1007
H3	3.5L L5 F/I	E-0773	
<b>2004 HUMMER</b>			
H1	6.5L V8 DSL	E-1700	HP-3002
H2	6.0L V8 F/I		HP-1007
<b>2003 HUMMER</b>			
H1	6.5L V8 DSL	E-1700	HP-3002
H2	6.0L V8 F/I	E-1985 ♦	HP-1007
<b>2002 HUMMER</b>			
H1	6.5L V8 DSL	E-1700	HP-3002
H2	6.0L V8 F/I		HP-1007
<b>2001 HUMMER</b>			
H1	6.5L V8 DSL	E-1700	

Vehicle	Engine Type	Air Filter	Oil Filter
<b>2000 HUMMER</b>			
H1	6.5L V8 DSL	E-1700	
<b>1999 HUMMER</b>			
H1	6.5L V8 DSL	E-1700	
<b>1998 HUMMER</b>			
H1	6.5L V8 DSL	E-1700	
<b>1997 HUMMER</b>			
H1	6.5L V8 DSL	E-1700	
<b>1996 HUMMER</b>			
H1	6.5L V8 DSL	E-1700	
<b>1995 HUMMER</b>			
H1	6.5L V8 DSL	E-1700	
<b>1994 HUMMER</b>			
H1	6.5L V8 DSL	E-1700	
<b>1993 HUMMER</b>			
H1	6.5L V8 DSL	E-1700	
<b>1992 HUMMER</b>			
H1	6.5L V8 DSL	E-1700	
<b>2001 HUMMER (AM GENE)</b>			
Hummer	6.5L V8 DSL	E-1700	HP-3002
<b>2000 HUMMER (AM GENE)</b>			
Hummer	6.5L V8 DSL	E-1700	HP-3002
<b>1999 HUMMER (AM GENE)</b>			
Hummer	6.5L V8 DSL	E-1700	HP-3002
<b>1998 HUMMER (AM GENE)</b>			
Hummer	6.5L V8 DSL	E-1700	HP-3002
<b>1997 HUMMER (AM GENE)</b>			
Hummer	6.5L V8 DSL	E-1700	HP-3002
<b>1996 HUMMER (AM GENE)</b>			
Hummer	5.7L V8 F/I		HP-2001
Hummer	6.5L V8 DSL	E-1700	HP-3002
<b>1995 HUMMER (AM GENE)</b>			
Hummer	5.7L V8 F/I		HP-2001
Hummer	6.5L V8 DSL	E-1700	HP-3002
<b>1994 HUMMER (AM GENE)</b>			
Hummer	6.5L V8 DSL	E-1700	HP-3002
<b>1993 HUMMER (AM GENE)</b>			
Hummer	6.2L V8 DSL	E-1700	HP-3002
<b>1992 HUMMER (AM GENE)</b>			
Hummer	6.2L V8 DSL		HP-3002
<b>2011 HUSABERG</b>			
FE390 Enduro	390		KN-655
FE450 Enduro	450		KN-655
<b>2010 HUSABERG</b>			
FE390 Enduro	390		KN-655
FE450 Enduro	450		KN-655
FE570 Enduro	570		KN-655
FS570 Supermoto	570		KN-655
FX450 Cross Country	450		KN-655
<b>2009 HUSABERG</b>			
FE450 Enduro	450		KN-655
FE570 Enduro	570		KN-655
<b>2008 HUSABERG</b>			
FE450	450		KN-155

\*Indicates 2 filters required

♦ - Intake kit available

Applications updated daily at [knfilters.com](http://knfilters.com) ®

Partial Listing - Complete List of Vehicles and Applications at [knfilters.com](http://knfilters.com)

# HUSABERG

# AIR & OIL FILTERS

Vehicle	Engine Type	Air Filter	Oil Filter	Vehicle	Engine Type	Air Filter	Oil Filter
<b>2008 HUSABERG</b>				<b>2009 HUSQVARNA</b>			
FE550	550		KN-155	CR125	125	HU-1200	
FE650	650		KN-155	SM450R	450	HU-1200	KN-154
FS450	450		KN-155	SM510R	510	HU-1200	KN-154
FS550	550		KN-155	TC250	250	HU-1200	KN-154
FS650	650		KN-155	TC450	450	HU-1200	KN-154
<b>2007 HUSABERG</b>				<b>2008 HUSQVARNA</b>			
FE450	450		KN-155	TC510	510	HU-1200	KN-154
FE550	550		KN-155	TE250	250	HU-1200	KN-154
FE650	650		KN-155	TE450	450	HU-1200	KN-154
FS450	450		KN-155	TE510	510	HU-1200	KN-154
FS550	550		KN-155	TXC250	250	HU-1200	KN-154
FS650	650		KN-155	TXC450	450	HU-1200	KN-154
<b>2006 HUSABERG</b>				<b>2008 HUSQVARNA</b>			
FC 450	450		KN-155	TXC510	510	HU-1200	KN-154
FC 550	550		KN-155	WR125	125	HU-1200	
FE450	450		KN-155	WR250	250	HU-1200	
FE550	550		KN-155	WR300	300	HU-1200	
FE650	650		KN-155	<b>2008 HUSQVARNA</b>			
FS450	450		KN-155	CR125	125	HU-1200	
FS550	550		KN-155	QM450	450		KN-154
FS650	650		KN-155	SM450R	450	HU-1200	KN-563
<b>2005 HUSABERG</b>				<b>2008 HUSQVARNA</b>			
FC 450	450		KN-155	SM510R	510	HU-1200	KN-563
FC 550	550		KN-155	SM610	610		KN-154
FE450	450		KN-155	SM610S IE	610		KN-154
FE550	550		KN-155	TC250	250	HU-1200	KN-563
FE650	650		KN-155	TC450	450	HU-1200	KN-563
FS450	450		KN-155	TC510	510	HU-1200	KN-563
FS550	550		KN-155	TE250	250	HU-1200	KN-563
FS650	650		KN-155	TE450	450	HU-1200	KN-563
<b>2004 HUSABERG</b>				<b>2008 HUSQVARNA</b>			
All 4 Stroke			KN-155	TE510	510	HU-1200	KN-563
FC 450	450		KN-155	TE610	610		KN-154
FC 550	550		KN-155	TE610 IE	610		KN-154
FE450	450		KN-155	TXC250	250	HU-1200	KN-563
FE550	550		KN-155	TXC450	450	HU-1200	KN-563
FE650	650		KN-155	TXC510	510	HU-1200	KN-563
FS450	450		KN-155	WR125	125	HU-1200	
FS550	550		KN-155	WR250	250	HU-1200	
FS650	650		KN-155	<b>2007 HUSQVARNA</b>			
<b>2004 HUSABERG</b>				<b>2007 HUSQVARNA</b>			
All 4 Stroke			KN-155	CR125	125	HU-1200	
FC 450	450		KN-155	QM450	450		KN-154
FC 550	550		KN-155	SM250R	250		KN-154
FE450	450		KN-155	SM450R	450	HU-1200	KN-154
FE550	550		KN-155	SM510R	510	HU-1200	KN-154
FE650	650		KN-155	SM610	610		KN-154
FS450	450		KN-155	SM610S IE	610		KN-154
FS550	550		KN-155	TC250	250	HU-1200	KN-154
FS650	650		KN-155	TC450	450	HU-1200	KN-154
<b>2003 HUSABERG</b>				<b>2007 HUSQVARNA</b>			
All 4 Stroke			KN-155	TC510	510	HU-1200	KN-154
<b>2002 HUSABERG</b>				<b>2007 HUSQVARNA</b>			
All 4 Stroke			KN-155	TE250	250	HU-1200	KN-154
<b>2001 HUSABERG</b>				<b>2007 HUSQVARNA</b>			
All 4 Stroke			KN-155	TE450	450	HU-1200	KN-154
<b>2000 HUSABERG</b>				<b>2007 HUSQVARNA</b>			
All 4 Stroke			KN-155	TE510	510	HU-1200	KN-154
<b>1999 HUSABERG</b>				<b>2007 HUSQVARNA</b>			
All 4 Stroke			KN-155	TE610	610		KN-154
<b>1998 HUSABERG</b>				<b>2007 HUSQVARNA</b>			
All 4 Stroke			KN-155	TE610 IE	610		KN-154
<b>1997 HUSABERG</b>				<b>2006 HUSQVARNA</b>			
All 4 Stroke			KN-155	WR125	125	HU-1200	
<b>2010 HUSQVARNA</b>				<b>2006 HUSQVARNA</b>			
TC250	250		KN-116	WR250	250	HU-1200	
TE250	250		KN-116	<b>2006 HUSQVARNA</b>			
TXC250	250		KN-116	CR125	125	HU-1200	
				SM450R	450	HU-1200	KN-154
				SM510R	510	HU-1200	KN-154
				SM610	610		KN-154
				SM610S IE	610		KN-154
				TC250	250	HU-1200	KN-154
				TC450	450	HU-1200	KN-154
				TC510	510	HU-1200	KN-154

\*Indicates 2 filters required

◆ - Intake kit available

Applications updated daily at [knfilters.com](http://knfilters.com) ®

# AIR & OIL FILTERS

# HUSQVARNA

Vehicle	Engine Type	Air Filter	Oil Filter
<b>2006 HUSQVARNA</b>			
TE250	250	HU-1200	KN-154
TE450	450	HU-1200	KN-154
TE510	510	HU-1200	KN-154
TE610	610		KN-154
TE610 IE	610		KN-154
WR125	125	HU-1200	
WR250	250	HU-1200	

Vehicle	Engine Type	Air Filter	Oil Filter
<b>2005 HUSQVARNA</b>			
CR125	125	HU-1200	
SM400R	400	HU-1200	KN-154
SM450R	450	HU-1200	KN-154
SM510R	510	HU-1200	KN-154
SMR630	630		KN-154
TC250	250	HU-1200	KN-154
TC450	450	HU-1200	KN-154
TC510	510	HU-1200	KN-154
TE250	250	HU-1200	KN-154
TE450	450	HU-1200	KN-154
TE510	510	HU-1200	KN-154
WR125	125	HU-1200	
WR250	250	HU-1200	

Vehicle	Engine Type	Air Filter	Oil Filter
<b>2004 HUSQVARNA</b>			
CR125	125	HU-1200	
SM400R	400	HU-1200	KN-154
SM450R	450	HU-1200	KN-154
SM510R	510	HU-1200	KN-154
TC250	250	HU-1200	KN-154
TC450	450	HU-1200	KN-154
TC510	510	HU-1200	KN-154
TE250	250	HU-1200	KN-154
TE450	450	HU-1200	KN-154
TE510	510	HU-1200	KN-154
TE510 Centennial	510	HU-1200	KN-154
WR125	125	HU-1200	
WR250	250	HU-1200	

Vehicle	Engine Type	Air Filter	Oil Filter
<b>2003 HUSQVARNA</b>			
CR125	125	HU-1200	
CR250	250	HU-1200	
SM450R	450	HU-1200	KN-154
SM510R	510	HU-1200	KN-154
TC250	250	HU-1200	KN-154
TC450	450	HU-1200	KN-154
TC510	510	HU-1200	KN-154
TE250	250	HU-1200	KN-154
TE450	450	HU-1200	KN-154
TE510	510	HU-1200	KN-154
WR125	125	HU-1200	
WR250	250	HU-1200	
WR360	360	HU-1200	

Vehicle	Engine Type	Air Filter	Oil Filter
<b>2002 HUSQVARNA</b>			
CR125	125	HU-1200	
CR250	250	HU-1200	
TC250	250		KN-154
TC450	450		KN-154
TE250	250		KN-154
TE450	450		KN-154
WR125	125	HU-1200	
WR250	250	HU-1200	
WR360	360	HU-1200	

Vehicle	Engine Type	Air Filter	Oil Filter
<b>2001 HUSQVARNA</b>			
CR125	125	HU-1200	

Vehicle	Engine Type	Air Filter	Oil Filter
<b>2001 HUSQVARNA</b>			
CR250	250	HU-1200	
SM610S	610		KN-154
TE410E	410		KN-154
TE610E	610		KN-154
WR125	125	HU-1200	
WR250	250	HU-1200	
WR360	360	HU-1200	

Vehicle	Engine Type	Air Filter	Oil Filter
<b>2000 HUSQVARNA</b>			
CR125	125	HU-1200	
CR250	250	HU-1200	
SM610S	610		KN-154
TE410E	410		KN-154
TE610E	610		KN-154
TE610E LT	610		KN-154
WR125	125	HU-1200	
WR250	250	HU-1200	
WR360	360	HU-1200	

Vehicle	Engine Type	Air Filter	Oil Filter
<b>1999 HUSQVARNA</b>			
CR125	125	HU-1200	
CR250	250	HU-1200	
SM610	610		KN-154
TE410E	410		KN-154
TE610E	610		KN-154
WR125	125	HU-1200	
WR250	250	HU-1200	
WR360	360	HU-1200	

Vehicle	Engine Type	Air Filter	Oil Filter
<b>1998 HUSQVARNA</b>			
CR125	125	HU-1200	
CR250	250	HU-1200	
SM610	610		KN-154
TE410E	410		KN-154
TE610E	610		KN-154
WR125	125	HU-1200	
WR250	250	HU-1200	
WR360	360	HU-1200	

Vehicle	Engine Type	Air Filter	Oil Filter
<b>1997 HUSQVARNA</b>			
CR125	125	HU-1200	
CR250	250	HU-1200	
WR125	125	HU-1200	
WR250	250	HU-1200	
WR360	360	HU-1200	

Vehicle	Engine Type	Air Filter	Oil Filter
<b>1996 HUSQVARNA</b>			
CR125	125	HU-1200	
CR250	250	HU-1200	
WR125	125	HU-1200	
WR250	250	HU-1200	

Vehicle	Engine Type	Air Filter	Oil Filter
<b>1995 HUSQVARNA</b>			
WR125	125	HU-1200	
WR360	360	HU-1200	

Vehicle	Engine Type	Air Filter	Oil Filter
<b>1987 HUSQVARNA</b>			
TC510	510	HU-0600	
TE510	510	HU-0600	

Vehicle	Engine Type	Air Filter	Oil Filter
<b>1986 HUSQVARNA</b>			
TC510	510	HU-0600	
TE510	510	HU-0600	

Vehicle	Engine Type	Air Filter	Oil Filter
<b>2008 HYOSUNG</b>			
GT125 Comet	125		KN-131
GT250 Comet	250		KN-131
GV125 Aquila	125		KN-131

\*Indicates 2 filters required    ♦ - Intake kit available    Applications updated daily at [knfilters.com](http://knfilters.com) ®

Partial Listing - Complete List of Vehicles and Applications at [knfilters.com](http://knfilters.com)

# HYOSUNG

# AIR & OIL FILTERS

Vehicle	Engine Type	Air Filter	Oil Filter
<b>2008 HYOSUNG</b>			
GV250 Aquila	250		KN-131
RT125 Karion	125		KN-131
RX125D	125		KN-131
RX125SM	125		KN-131
XRX125	125		KN-131
<b>2007 HYOSUNG</b>			
GT125 Comet	125		KN-131
GT125R Comet	125		KN-131
GT250 Comet	250		KN-131
GT250R Comet	250		KN-131
GV125 Aquila	125		KN-131
GV250 Aquila	250		KN-131
RT125 Karion	125		KN-131
RX125D	125		KN-131
RX125SM	125		KN-131
XRX125	125		KN-131
<b>2006 HYOSUNG</b>			
GT125 Comet	125		KN-131
GT250 Comet	250		KN-131
GT250R Comet	250		KN-131
GV125 Aquila	125		KN-131
GV250 Aquila	250		KN-131
RT125 Karion	125		KN-131
XRX125	125		KN-131
<b>2005 HYOSUNG</b>			
125 Exceed	125		KN-131
GT125 Comet	125		KN-131
GT250 Comet	250		KN-131
GT250R Comet	250		KN-131
GV125 Aquila	125		KN-131
GV250 Aquila	250		KN-131
RT125 Karion	125		KN-131
XRX125	125		KN-131
<b>2004 HYOSUNG</b>			
GT125 Comet	125		KN-131
GT250 Comet	250		KN-131
GV125 Aquila	125		KN-131
GV250 Aquila	250		KN-131
RT125 Karion	125		KN-131
RX125	125		KN-131
XRX125	125		KN-131
<b>2003 HYOSUNG</b>			
GF125	125		KN-131
GT125 Comet	125		KN-131
GT250 Comet	250		KN-131
GV125 Aquila	125		KN-131
GV250 Aquila	250		KN-131
RX125	125		KN-131
XRX125	125		KN-131
<b>2002 HYOSUNG</b>			
GF125	125		KN-131
GV125 Aquila	125		KN-131
GV250 Aquila	250		KN-131
XRX125	125		KN-131
<b>2001 HYOSUNG</b>			
GA125 Cruise I	125		KN-131
GA125 Cruise II	125		KN-131
GF125	125		KN-131
GV125 Aquila	125		KN-131
GV250 Aquila	250		KN-131

Vehicle	Engine Type	Air Filter	Oil Filter
<b>2001 HYOSUNG</b>			
XRX125	125		KN-131
<b>2000 HYOSUNG</b>			
GA125 Cruise I	125		KN-131
GA125 Cruise II	125		KN-131
GF125	125		KN-131
GV125 Aquila	125		KN-131
XRX125	125		KN-131
<b>1999 HYOSUNG</b>			
GA125 Cruise I	125		KN-131
GA125 Cruise II	125		KN-131
GF125	125		KN-131
<b>1998 HYOSUNG</b>			
GA125 Cruise I	125		KN-131
GA125 Cruise II	125		KN-131
GF125	125		KN-131
<b>1997 HYOSUNG</b>			
GA125 Cruise I	125		KN-131
GA125 Cruise II	125		KN-131
<b>2011 HYUNDAI</b>			
Accent	1.6L L4 F/I	33-2354	HP-1004
Azera	3.8L V6 F/I	33-2346	
Elantra	2.0L L4 F/I		HP-1004
Equus	4.6L V8 F/I	33-2426	
Genesis	2.0L L4 F/I		HP-1004
Genesis	2.0L L4 F/I - Coupe	33-2958	HP-1004
Genesis	3.8L V6 F/I - Coupe	33-2958	
Genesis	3.8L V6 F/I - Sedan	33-2427	
Genesis	4.6L V8 F/I	33-2426	
i20	1.2L L4 F/I	33-2960	
i20	1.4L L4 DSL	33-2960	
i20	1.4L L4 F/I	33-2960	
I30	1.6L L4 DSL	33-2380	
I30	1.6L L4 F/I	33-2380 ♦	
iX20	1.4L L4 DSL	33-2960	
iX20	1.4L L4 F/I	33-2960	
iX20	1.6L L4 F/I	33-2960	
IX35	1.6L L4 F/I	33-2451	
IX35	2.0L L4 DSL	33-2451	
IX35	2.0L L4 F/I	33-2451	
Santa Fe	2.2L L4 DSL	33-2969	
Santa Fe	2.4L L4 F/I	33-2448	HP-1004
Santa Fe	3.5L V6 F/I	33-2448	
Sonata	2.0L L4 F/I	33-2448	HP-1004
Sonata	2.4L L4 F/I	33-2448 ♦	HP-1004
Tucson	2.0L L4 F/I	33-2451	HP-1004
Tucson	2.4L L4 F/I	33-2451	HP-1004
Veracruz	3.8L V6 F/I	33-2389	
<b>2010 HYUNDAI</b>			
Accent	1.4L L4 F/I	33-2354	
Accent	1.6L L4 F/I	33-2354	HP-1004
Azera	3.3L V6 F/I	33-2346	
Azera	3.8L V6 F/I	33-2346	
Elantra	2.0L L4 F/I	33-2380	HP-1004
Genesis	2.0L L4 F/I		HP-1004
Genesis	2.0L L4 F/I - Coupe	33-2958 ♦	HP-1004
Genesis	3.8L V6 F/I - Coupe	33-2958	
Genesis	3.8L V6 F/I - Sedan	33-2427	
Genesis	4.6L V8 F/I	33-2426	
Grandeur	3.3L V6 F/I	33-2346	
i20	1.2L L4 F/I	33-2960	
i20	1.4L L4 DSL	33-2960	

\*Indicates 2 filters required

♦ - Intake kit available

Applications updated daily at [knfilters.com](http://knfilters.com) ®

# AIR & OIL FILTERS

# HYUNDAI

Vehicle	Engine Type	Air Filter	Oil Filter	Vehicle	Engine Type	Air Filter	Oil Filter
<b>2010 HYUNDAI</b>				<b>2008 HYUNDAI</b>			
i20	1.4L L4 F/I	33-2960		Accent	1.6L L4 F/I	33-2354	HP-1004
i20	1.6L L4 DSL	33-2960		Azera	3.3L V6 F/I	33-2346	HP-7022
i20	1.6L L4 F/I	33-2960		Azera	3.8L V6 F/I	33-2346	HP-7022
I30	1.4L L4 F/I	33-2380 ♦		Coupe	2.0L L4 F/I	33-2201 ♦	
I30	1.6L L4 DSL	33-2380		Coupe	2.7L V6 F/I	33-2201 ♦	
I30	1.6L L4 F/I	33-2380 ♦		Elantra	2.0L L4 F/I	33-2380	HP-1004
I30	2.0L L4 DSL	33-2380		Entourage	3.8L V6 F/I	33-2368	HP-7022
I30	2.0L L4 F/I	33-2380		Genesis	2.0L L4 F/I - Coupe	33-2958	
iX20	1.4L L4 DSL	33-2960		Genesis	3.8L V6 F/I - Coupe	33-2958	
iX20	1.4L L4 F/I	33-2960		Getz	1.1L L4 F/I	33-2094 ♦	
iX20	1.6L L4 F/I	33-2960		Getz	1.4L L4 F/I	33-2094 ♦	
IX35	1.6L L4 F/I	33-2451		Getz	1.5L L4 F/I	33-2094	
IX35	2.0L L4 DSL	33-2451		Getz	1.6L L4 F/I	33-2094 ♦	
IX35	2.0L L4 F/I	33-2451		Grandeur	3.3L V6 F/I	33-2346	
Matrix	1.6L L4 F/I	33-2868		i20	1.2L L4 F/I	33-2960	
Santa Fe	2.2L L4 DSL - from 8/10	33-2969		i20	1.4L L4 DSL	33-2960	
Santa Fe	2.2L L4 DSL - to 7/10	33-2378		i20	1.4L L4 F/I	33-2960	
Santa Fe	2.4L L4 F/I	33-2448	HP-1004	i20	1.6L L4 DSL	33-2960	
Santa Fe	3.5L V6 F/I	33-2448		i20	1.6L L4 F/I	33-2960	
Sonata	2.4L L4 F/I	33-2887	HP-1004	I30	1.4L L4 F/I	33-2380 ♦	
Sonata	3.3L V6 F/I	33-2346		I30	1.6L L4 DSL	33-2380	
Tucson	2.0L L4 DSL	33-2201		I30	1.6L L4 F/I	33-2380 ♦	
Tucson	2.4L L4 F/I	33-2451	HP-1004	I30	2.0L L4 DSL	33-2380	
Veracruz	3.8L V6 F/I	33-2389		I30	2.0L L4 F/I	33-2380 ♦	
<b>2009 HYUNDAI</b>				<b>2007 HYUNDAI</b>			
Accent	1.4L L4 F/I	33-2354		Accent	1.4L L4 F/I	33-2354	
Accent	1.6L L4 F/I	33-2354	HP-1004	Accent	1.6L L4 F/I	33-2354	HP-1004
Azera	3.3L V6 F/I	33-2346	HP-7022	Azera	3.3L V6 F/I	33-2346	HP-7022
Azera	3.8L V6 F/I	33-2346	HP-7022	Azera	3.8L V6 F/I	33-2346	HP-7022
Coupe	2.0L L4 F/I	33-2201		Coupe	2.0L L4 F/I	33-2201 ♦	
Coupe	2.7L V6 F/I	33-2201		Coupe	2.7L V6 F/I	33-2201 ♦	
Elantra	2.0L L4 F/I	33-2380	HP-1004	Elantra	1.6L L4 F/I	33-2201	
Entourage	3.8L V6 F/I	33-2368	HP-7022	Elantra	2.0L L4 DSL	33-2201	
Genesis	2.0L L4 F/I - Coupe	33-2958		Elantra	2.0L L4 F/I		HP-1004
Genesis	3.8L V6 F/I - Coupe	33-2958		Elantra	2.0L L4 F/I - Non-US	33-2201	HP-1004
Genesis	3.8L V6 F/I - Sedan	33-2427		Elantra	2.0L L4 F/I - US	33-2380	HP-1004
Genesis	4.6L V8 F/I	33-2426		Entourage	3.8L V6 F/I	33-2368	HP-7022
Grandeur	3.3L V6 F/I	33-2346		Getz	1.1L L4 F/I	33-2094 ♦	
i20	1.2L L4 F/I	33-2960		Getz	1.4L L4 F/I	33-2094 ♦	
i20	1.4L L4 DSL	33-2960		Getz	1.5L L4 DSL	33-2094	
i20	1.4L L4 F/I	33-2960					
i20	1.6L L4 DSL	33-2960					
i20	1.6L L4 F/I	33-2960					
I30	1.4L L4 F/I	33-2380 ♦					
I30	1.6L L4 DSL	33-2380					
I30	1.6L L4 F/I	33-2380 ♦					
I30	2.0L L4 DSL	33-2380					
I30	2.0L L4 F/I	33-2380 ♦					
Matrix	1.6L L4 F/I	33-2868					
Santa Fe	2.2L L4 DSL	33-2378					
Santa Fe	2.7L V6 F/I	33-2378	HP-1008				
Santa Fe	3.3L V6 F/I	33-2378	HP-7022				
Sonata	2.4L L4 F/I	33-2887	HP-1004				
Sonata	3.3L V6 F/I	33-2346	HP-7022				
Sonata V	2.0L L4 F/I	33-2887					
Sonata V	3.3L V6 F/I	33-2346					
Tucson	2.0L L4 DSL	33-2201					
Tucson	2.0L L4 F/I	33-2201	HP-1004				
Tucson	2.7L V6 F/I	33-2201	HP-1008				
Veracruz	3.8L V6 F/I	33-2389					
<b>2008 HYUNDAI</b>							
Accent	1.4L L4 F/I	33-2354					

\*Indicates 2 filters required      ♦ - Intake kit available      Applications updated daily at [knfilters.com](http://knfilters.com) ®

Partial Listing - Complete List of Vehicles and Applications at [knfilters.com](http://knfilters.com)

# HYUNDAI

# AIR & OIL FILTERS

Vehicle	Engine Type	Air Filter	Oil Filter	Vehicle	Engine Type	Air Filter	Oil Filter
<b>2007 HYUNDAI</b>				<b>2006 HYUNDAI</b>			
Getz	1.6L L4 F/I	33-2094 ♦		Sonata V	2.0L L4 F/I	33-2887	
Grandeur	3.3L V6 F/I	33-2346		Sonata V	2.4L L4 F/I	33-2887	HP-1004
I30	1.4L L4 F/I	33-2380 ♦		Sonata V	3.3L V6 F/I	33-2346	
I30	1.6L L4 DSL	33-2380		Terracan	2.5L L4 DSL	33-2833	
I30	1.6L L4 F/I	33-2380 ♦		Terracan	2.9L L4 DSL	33-2833	
I30	2.0L L4 DSL	33-2380		Terracan	3.5L V6 DSL	33-2833	
I30	2.0L L4 F/I	33-2380 ♦		Tiburon	2.0L L4 F/I	33-2201	HP-1004
Matrix	1.5L L4 DSL	33-2868		Tiburon	2.7L V6 F/I	33-2201	HP-1008
Matrix	1.6L L4 F/I	33-2868		Trajet	2.0L L4 DSL	33-2188	
Matrix	1.8L L4 F/I	33-2868		Trajet	2.0L L4 F/I	33-2188	
Santa Fe	2.2L L4 DSL	33-2378		Trajet	2.7L V6 F/I	33-2188	
Santa Fe	2.7L V6 F/I	33-2378	HP-1008	Tucson	2.0L L4 DSL	33-2201	
Santa Fe	3.3L V6 F/I	33-2378	HP-7022	Tucson	2.0L L4 F/I	33-2201	HP-1004
Sonata	2.4L L4 F/I	33-2887	HP-1004	Tucson	2.7L V6 F/I	33-2201	HP-1008
Sonata	3.3L V6 F/I	33-2346	HP-7022	Veracruz	3.0L V6 DSL	33-2947	
Sonata V	2.0L L4 F/I	33-2887		<b>2005 HYUNDAI</b>			
Sonata V	2.4L L4 F/I	33-2887	HP-1004	Accent	1.3L L4 F/I	33-2182 ♦	
Sonata V	3.3L V6 F/I	33-2346		Accent	1.4L L4 F/I	33-2354	
Terracan	2.5L L4 DSL	33-2833		Accent	1.5L L4 F/I	33-2182	
Terracan	2.9L L4 DSL	33-2833		Accent	1.6L L4 F/I	33-2182 ♦	HP-1004
Terracan	3.5L V6 DSL	33-2833		Coupe	2.0L L4 F/I	33-2201 ♦	
Tiburon	2.0L L4 F/I	33-2201	HP-1004	Coupe	2.7L V6 F/I	33-2201 ♦	
Tiburon	2.7L V6 F/I	33-2201	HP-1008	Elantra	1.6L L4 F/I	33-2201	
Trajet	2.0L L4 DSL	33-2188		Elantra	1.8L L4 F/I	33-2201	
Trajet	2.0L L4 F/I	33-2188		Elantra	2.0L L4 DSL	33-2201	
Trajet	2.7L V6 F/I	33-2188		Elantra	2.0L L4 F/I	33-2201	HP-1004
Tucson	2.0L L4 DSL	33-2201		Galloper II	3.0L V6 F/I	E-2875	
Tucson	2.0L L4 F/I	33-2201	HP-1004	Getz	1.1L L4 F/I	33-2094 ♦	
Tucson	2.7L V6 F/I	33-2201	HP-1008	Getz	1.3L L4 F/I	33-2094 ♦	
Tucson	3.3L V6 F/I	33-2378		Getz	1.4L L4 F/I	33-2094 ♦	
Veracruz	3.0L V6 DSL	33-2947		Getz	1.5L L4 DSL	33-2094	
Veracruz	3.8L V6 F/I	33-2389	HP-7022	Getz	1.6L L4 F/I	33-2094 ♦	
<b>2006 HYUNDAI</b>				Grandeur	2.7L V6 F/I - Korea	33-2933	
Accent	1.3L L4 F/I	33-2182 ♦		Grandeur	3.3L V6 F/I	33-2346	
Accent	1.4L L4 F/I	33-2354		H-1	2.4L L4 F/I	E-2875	
Accent	1.5L L4 F/I	33-2182		Matrix	1.5L L4 DSL	33-2868	
Accent	1.6L L4 F/I	33-2354 ♦	HP-1004	Matrix	1.6L L4 F/I	33-2868	
Azera	3.8L V6 F/I	33-2346	HP-7022	Matrix	1.8L L4 F/I	33-2868	
Coupe	2.0L L4 F/I	33-2201 ♦		Santa Fe	2.0L L4 DSL	33-2198	
Coupe	2.7L V6 F/I	33-2201 ♦		Santa Fe	2.0L L4 F/I	33-2198	
Elantra	1.6L L4 F/I	33-2201		Santa Fe	2.2L L4 DSL	33-2378	
Elantra	2.0L L4 DSL	33-2201		Santa Fe	2.4L L4 F/I	33-2198	HP-1004
Elantra	2.0L L4 F/I	33-2201	HP-1004	Santa Fe	2.7L V6 F/I	33-2198	HP-1008
Getz	1.1L L4 F/I	33-2094 ♦		Santa Fe	3.5L V6 F/I	33-2312	HP-1004
Getz	1.4L L4 F/I	33-2094 ♦		Sonata	2.4L L4 F/I	33-2188	HP-1004
Getz	1.5L L4 DSL	33-2094		Sonata	2.7L V6 F/I	33-2188	HP-1008
Getz	1.6L L4 F/I	33-2094 ♦		Sonata IV	2.0L L4 F/I	33-2188	
Grandeur	3.3L V6 F/I	33-2346		Sonata V	2.4L L4 F/I	33-2887	
Matrix	1.5L L4 DSL	33-2868		Sonata V	3.3L V6 F/I	33-2346	
Matrix	1.6L L4 F/I	33-2868		Terracan	2.5L L4 DSL	33-2833	
Matrix	1.8L L4 F/I	33-2868		Terracan	2.9L L4 DSL	33-2833	
Santa Fe	2.0L L4 DSL	33-2198		Terracan	3.5L V6 DSL	33-2833	
Santa Fe	2.0L L4 F/I	33-2198		Tiburon	2.0L L4 F/I	33-2201	HP-1004
Santa Fe	2.2L L4 DSL	33-2378		Tiburon GT	2.7L V6 F/I	33-2201 ♦	HP-1008
Santa Fe	2.4L L4 F/I	33-2198	HP-1004	Tiburon SE	2.7L V6 F/I	33-2201	HP-1008
Santa Fe	2.7L V6 F/I		HP-1008	Trajet	2.0L L4 DSL	33-2188	
Santa Fe	2.7L V6 F/I - Non-US, from 4/06	33-2378	HP-1008	Trajet	2.0L L4 F/I	33-2188	
Santa Fe	2.7L V6 F/I - US, Non-US, to 3/06	33-2198	HP-1008	Trajet	2.7L V6 F/I	33-2188	
Santa Fe	3.5L V6 F/I	33-2312	HP-1004	Tucson	2.0L L4 DSL	33-2201	
Sonata	2.4L L4 F/I	33-2887	HP-1004	Tucson	2.0L L4 F/I	33-2201	HP-1004
Sonata	3.3L V6 F/I	33-2346	HP-7022	Tucson	2.7L V6 F/I	33-2201	HP-1008
Sonata V	2.0L L4 DSL	33-2887		XG300	3.0L V6 F/I	33-2199	
				XG350	3.5L V6 F/I	33-2199	HP-1004

\*Indicates 2 filters required

♦ - Intake kit available

Applications updated daily at [knfilters.com](http://knfilters.com) ®



# AIR & OIL FILTERS

# HYUNDAI

Vehicle	Engine Type	Air Filter	Oil Filter	Vehicle	Engine Type	Air Filter	Oil Filter
<b>2004 HYUNDAI</b>				<b>2003 HYUNDAI</b>			
Accent	1.3L L4 F/I	33-2182 ♦		Magentis	2.5L V6 F/I	33-2188	
Accent	1.5L L4 F/I	33-2182		Matrix	1.5L L4 DSL	33-2868	
Accent	1.6L L4 F/I	33-2182 ♦	HP-1004	Matrix	1.6L L4 F/I	33-2868	
Coupe	1.6L L4 F/I	33-2201 ♦		Matrix	1.8L L4 F/I	33-2868	
Coupe	2.0L L4 F/I	33-2201 ♦		Santa Fe	2.0L L4 DSL	33-2198	
Coupe	2.7L V6 F/I	33-2201 ♦		Santa Fe	2.0L L4 F/I	33-2198	
Elantra	1.6L L4 F/I	33-2201		Santa Fe	2.4L L4 F/I	33-2198	HP-1004
Elantra	1.8L L4 F/I	33-2201		Santa Fe	2.7L V6 F/I	33-2198	HP-1008
Elantra	2.0L L4 DSL	33-2201		Santa Fe	3.5L V6 F/I		HP-1004
Elantra	2.0L L4 F/I	33-2201	HP-1004	Sonata	2.4L L4 F/I	33-2188	HP-1004
Excel	1.5L L4 F/I	33-2093	HP-1004	Sonata	2.7L V6 F/I	33-2188	HP-1008
Galloper II	3.0L V6 F/I	E-2875		Sonata IV	2.0L L4 F/I	33-2188	
Getz	1.1L L4 F/I	33-2094 ♦		Sonata IV	2.7L V6 F/I	33-2188	HP-1008
Getz	1.3L L4 F/I	33-2094 ♦		Terracan	2.5L L4 DSL	33-2833	
Getz	1.5L L4 DSL	33-2094		Terracan	2.9L L4 DSL	33-2833	
Getz	1.6L L4 F/I	33-2094 ♦		Terracan	3.5L V6 DSL	33-2833	
H-1	2.4L L4 F/I	E-2875		Tiburon	2.0L L4 F/I	33-2201	HP-1004
Magentis	2.0L L4 F/I	33-2188		Tiburon GT	2.7L V6 F/I	33-2201 ♦	HP-1008
Magentis	2.5L V6 F/I	33-2188		Trajet	2.0L L4 DSL	33-2188	
Matrix	1.5L L4 DSL	33-2868		Trajet	2.0L L4 F/I	33-2188	
Matrix	1.6L L4 F/I	33-2868		Trajet	2.7L V6 F/I	33-2188	
Matrix	1.8L L4 F/I	33-2868		XG	2.5L V6 F/I	33-2188	
Santa Fe	2.0L L4 DSL	33-2198		XG300	3.0L V6 F/I	33-2199	
Santa Fe	2.0L L4 F/I	33-2198		XG350	3.5L V6 F/I	33-2199	HP-1004
Santa Fe	2.4L L4 F/I	33-2198	HP-1004	<b>2002 HYUNDAI</b>			
Santa Fe	2.7L V6 F/I	33-2198	HP-1008	Accent	1.3L L4 F/I	33-2182 ♦	
Santa Fe	3.5L V6 F/I		HP-1004	Accent	1.5L L4 F/I	33-2182 ♦	HP-1004
Sonata	2.4L L4 F/I	33-2188	HP-1004	Accent	1.6L L4 F/I	33-2182	HP-1004
Sonata	2.7L V6 F/I	33-2188	HP-1008	Coupe	1.6L L4 F/I	33-2201 ♦	
Sonata IV	2.0L L4 F/I	33-2188		Coupe	2.0L L4 F/I	33-2201 ♦	
Sonata IV	2.7L V6 F/I	33-2188	HP-1008	Coupe	2.7L V6 F/I	33-2201 ♦	
Terracan	2.5L L4 DSL	33-2833		Elantra	1.6L L4 F/I	33-2201	
Terracan	2.9L L4 DSL	33-2833		Elantra	1.8L L4 F/I	33-2201	
Terracan	3.5L V6 DSL	33-2833		Elantra	2.0L L4 DSL	33-2201	
Tiburon	2.0L L4 F/I	33-2201	HP-1004	Elantra	2.0L L4 F/I	33-2201	HP-1004
Tiburon GT	2.7L V6 F/I	33-2201 ♦	HP-1008	Excel	1.5L L4 F/I	33-2093	HP-1004
Trajet	2.0L L4 DSL	33-2188		Galloper II	3.0L V6 F/I	E-2875	
Trajet	2.0L L4 F/I	33-2188		Getz	1.1L L4 F/I	33-2094 ♦	
Trajet	2.7L V6 F/I	33-2188		Getz	1.3L L4 F/I	33-2094 ♦	
Tucson	2.0L L4 DSL	33-2201		Getz	1.6L L4 F/I	33-2094 ♦	
Tucson	2.0L L4 F/I	33-2201	HP-1004	H-1	2.4L L4 F/I	E-2875	
Tucson	2.7L V6 F/I	33-2201	HP-1008	Magentis	2.0L L4 F/I	33-2188	
XG300	3.0L V6 F/I	33-2199		Magentis	2.5L V6 F/I	33-2188	
XG350	3.5L V6 F/I	33-2199	HP-1004	Matrix	1.5L L4 DSL	33-2868	
<b>2003 HYUNDAI</b>				Matrix	1.6L L4 F/I	33-2868	
Accent	1.3L L4 F/I	33-2182 ♦		Matrix	1.8L L4 F/I	33-2868	
Accent	1.5L L4 F/I	33-2182 ♦	HP-1004	Santa Fe	2.0L L4 DSL	33-2198	
Accent	1.6L L4 F/I	33-2182 ♦	HP-1004	Santa Fe	2.0L L4 F/I	33-2198	
Coupe	1.6L L4 F/I	33-2201 ♦		Santa Fe	2.4L L4 F/I	33-2198	HP-1004
Coupe	2.0L L4 F/I	33-2201 ♦		Santa Fe	2.7L V6 F/I	33-2198	HP-1008
Coupe	2.7L V6 F/I	33-2201 ♦		Sonata	2.4L L4 F/I	33-2188	HP-1004
Elantra	1.6L L4 F/I	33-2201		Sonata	2.7L V6 F/I	33-2188	HP-1008
Elantra	1.8L L4 F/I	33-2201		Sonata IV	2.0L L4 F/I	33-2188	
Elantra	2.0L L4 DSL	33-2201		Sonata IV	2.7L V6 F/I	33-2188	HP-1008
Elantra	2.0L L4 F/I	33-2201	HP-1004	Terracan	2.5L L4 DSL	33-2833	
Excel	1.5L L4 F/I	33-2093	HP-1004	Terracan	2.9L L4 DSL	33-2833	
Galloper II	3.0L V6 F/I	E-2875		Terracan	3.5L V6 DSL	33-2833	
Getz	1.1L L4 F/I	33-2094 ♦		Trajet	2.0L L4 DSL	33-2188	
Getz	1.3L L4 F/I	33-2094 ♦		Trajet	2.0L L4 F/I	33-2188	
Getz	1.5L L4 DSL	33-2094		Trajet	2.7L V6 F/I	33-2188	
Getz	1.6L L4 F/I	33-2094 ♦		XG	2.5L V6 F/I	33-2188	
H-1	2.4L L4 F/I	E-2875		XG300	3.0L V6 F/I	33-2199	
Magentis	2.0L L4 F/I	33-2188		XG350	3.5L V6 F/I	33-2199	HP-1004

\*Indicates 2 filters required

♦ - Intake kit available

Applications updated daily at [knfilters.com](http://knfilters.com) ®

Partial Listing - Complete List of Vehicles and Applications at [knfilters.com](http://knfilters.com)

# HYUNDAI

# AIR & OIL FILTERS

Vehicle	Engine Type	Air Filter	Oil Filter	Vehicle	Engine Type	Air Filter	Oil Filter
<b>2001 HYUNDAI</b>				<b>2000 HYUNDAI</b>			
Accent	1.3L L4 F/I	33-2182 ♦		Sonata III	2.5L V6 F/I	33-2188	HP-1004
Accent	1.5L L4 F/I	33-2182 ♦	HP-1004	Tiburon	2.0L L4 F/I	33-2753	HP-1004
Accent	1.6L L4 F/I		HP-1004	Trajet	2.0L L4 F/I	33-2188	
Accent	1.6L L4 F/I - exc. leaded fuel	33-2182	HP-1004	Trajet	2.7L V6 F/I	33-2188	
Accent	1.6L L4 F/I - leaded fuel	33-2202	HP-1004	XG	2.5L V6 F/I	33-2188	
Coupe	1.6L L4 F/I	33-2753 ♦		XG300	3.0L V6 F/I	33-2199	
Coupe	2.0L L4 F/I	33-2753 ♦		<b>1999 HYUNDAI</b>			
Elantra	1.6L L4 F/I	33-2201		Accent	1.3L L4 F/I	33-2796	
Elantra	1.8L L4 F/I	33-2201		Accent	1.5L L4 F/I	33-2161	HP-1004
Elantra	2.0L L4 DSL	33-2201		Coupe	1.6L L4 F/I	33-2753 ♦	
Elantra	2.0L L4 F/I	33-2201	HP-1004	Coupe	2.0L L4 F/I	33-2753 ♦	
Excel	1.5L L4 F/I	33-2093	HP-1004	Elantra	2.0L L4 F/I	33-2753	HP-1004
Galloper II	3.0L V6 F/I	E-2875		Excel	1.5L L4 F/I	33-2093	HP-1004
H-1	2.4L L4 F/I	E-2875		Galloper II	3.0L V6 F/I	E-2875	
Magentis	2.0L L4 F/I	33-2188		Grandeur	3.0L V6 F/I	E-2875	
Magentis	2.5L V6 F/I	33-2188		H-1	2.4L L4 F/I	E-2875	
Matrix	1.5L L4 DSL	33-2868		Lantra II	1.5L L4 F/I	33-2679	
Matrix	1.6L L4 F/I	33-2868		Lantra II	1.6L L4 F/I	33-2753	
Matrix	1.8L L4 F/I	33-2868		Lantra II	1.8L L4 F/I	33-2753	
Santa Fe	2.0L L4 DSL	33-2198		Lantra II	2.0L L4 F/I	33-2753	
Santa Fe	2.0L L4 F/I	33-2198		Sonata	2.4L L4 F/I	33-2188	HP-1004
Santa Fe	2.4L L4 F/I	33-2198	HP-1004	Sonata	2.5L V6 F/I	33-2188	HP-1004
Santa Fe	2.7L V6 F/I	33-2198	HP-1008	Sonata III	2.0L L4 F/I	33-2188	
Sonata	2.4L L4 F/I	33-2188	HP-1004	Sonata III	2.4L L4 F/I	E-2875	HP-1004
Sonata	2.5L V6 F/I	33-2188	HP-1004	Sonata III	2.5L V6 F/I	33-2188	HP-1004
Sonata III	2.0L L4 F/I	33-2188		Tiburon	2.0L L4 F/I	33-2753	HP-1004
Sonata III	2.4L L4 F/I	E-2875	HP-1004	XG	2.5L V6 F/I	33-2188	
Sonata III	2.5L V6 F/I	33-2188	HP-1004	XG300	3.0L V6 F/I	33-2199	
Sonata IV	2.0L L4 F/I	33-2188		<b>1998 HYUNDAI</b>			
Sonata IV	2.7L V6 F/I	33-2188	HP-1008	Accent	1.3L L4 F/I	33-2796	
Terracan	2.5L L4 DSL	33-2833		Accent	1.5L L4 F/I	33-2161	HP-1004
Terracan	2.9L L4 DSL	33-2833		Coupe	1.6L L4 F/I	33-2753 ♦	
Terracan	3.5L V6 DSL	33-2833		Coupe	2.0L L4 F/I	33-2753 ♦	
Tiburon	2.0L L4 F/I	33-2753	HP-1004	Elantra	1.8L L4 F/I	33-2753	HP-1004
Trajet	2.0L L4 DSL	33-2188		Excel	1.5L L4 F/I	33-2093	HP-1004
Trajet	2.0L L4 F/I	33-2188		Galloper II	3.0L V6 F/I	E-2875	
Trajet	2.7L V6 F/I	33-2188		Grandeur	3.0L V6 F/I	E-2875	
XG	2.5L V6 F/I	33-2188		H-1	2.4L L4 F/I	E-2875	
XG300	3.0L V6 F/I	33-2199	HP-1004	Lantra II	1.5L L4 F/I	33-2679	
<b>2000 HYUNDAI</b>				Lantra II	1.6L L4 F/I	33-2753	
Accent	1.3L L4 F/I	33-2182 ♦		Lantra II	1.8L L4 F/I	33-2753	
		33-2796		Lantra II	2.0L L4 F/I	33-2753	
Accent	1.5L L4 F/I	33-2182 ♦	HP-1004	Sonata	2.0L L4 F/I	E-2875	HP-1004
Coupe	1.6L L4 F/I	33-2753 ♦		Sonata	3.0L V6 F/I	E-2875	HP-1004
Coupe	2.0L L4 F/I	33-2753 ♦		Sonata II	1.8L L4 F/I	E-2875	
Elantra	1.6L L4 F/I	33-2201		Sonata II	2.0L L4 F/I - w/Panel Filter	33-2680	
Elantra	1.8L L4 F/I	33-2201		Sonata II	2.0L L4 F/I - w/Round Filter	E-2875	
Elantra	2.0L L4 F/I		HP-1004	Sonata II	3.0L V6 F/I		HP-1004
Elantra	2.0L L4 F/I - Non-US	33-2201	HP-1004	Sonata II	3.0L V6 F/I - w/Panel Filter	33-2680	HP-1004
Elantra	2.0L L4 F/I - US	33-2753	HP-1004	Sonata II	3.0L V6 F/I - w/Round Filter	E-2875	HP-1004
Excel	1.5L L4 F/I	33-2093	HP-1004	Sonata III	2.0L L4 F/I	33-2188	
Galloper II	3.0L V6 F/I	E-2875		Sonata III	2.4L L4 F/I	E-2875	HP-1004
Grandeur	3.0L V6 F/I	E-2875		Sonata III	2.5L V6 F/I	33-2188	HP-1004
H-1	2.4L L4 F/I	E-2875		Tiburon	2.0L L4 F/I	33-2753	HP-1004
Lantra II	1.5L L4 F/I	33-2679		XG	2.5L V6 F/I	33-2188	
Lantra II	1.6L L4 F/I	33-2753		XG300	3.0L V6 F/I	33-2199	
Lantra II	1.8L L4 F/I	33-2753		<b>1997 HYUNDAI</b>			
Lantra II	2.0L L4 F/I	33-2753		Accent	1.3L L4 F/I	33-2796	
Sonata	2.4L L4 F/I	33-2188	HP-1004	Accent	1.5L L4 F/I	33-2161	HP-1004
Sonata	2.5L V6 F/I	33-2188	HP-1004	Coupe	1.6L L4 F/I	33-2753 ♦	
Sonata III	2.0L L4 F/I	33-2188					
Sonata III	2.4L L4 F/I	E-2875	HP-1004				

\*Indicates 2 filters required

♦ - Intake kit available

Applications updated daily at [knfilters.com](http://knfilters.com) ®

# AIR & OIL FILTERS

# HYUNDAI

Vehicle	Engine Type	Air Filter	Oil Filter
<b>1997 HYUNDAI</b>			
Coupe	2.0L L4 F/I	33-2753 ♦	
Elantra	1.8L L4 F/I	33-2753	HP-1004
Excel	1.5L L4 F/I	33-2093	HP-1004
Grandeur	3.0L V6 F/I	E-2875	
H-1	2.4L L4 F/I	E-2875	
Lantra II	1.5L L4 F/I	33-2679	
Lantra II	1.6L L4 F/I	33-2753	
Lantra II	1.8L L4 F/I	33-2753	
Lantra II	2.0L L4 F/I	33-2753	
Sonata	2.0L L4 F/I	E-2875	HP-1004
Sonata	3.0L V6 F/I	E-2875	HP-1004
Sonata II	1.8L L4 F/I	E-2875	
Sonata II	2.0L L4 F/I - w/Panel Filter	33-2680	
Sonata II	2.0L L4 F/I - w/Round Filter	E-2875	
Sonata II	3.0L V6 F/I		HP-1004
Sonata II	3.0L V6 F/I - w/Panel Filter	33-2680	HP-1004
Sonata II	3.0L V6 F/I - w/Round Filter	E-2875	HP-1004
Tiburon	1.8L L4 F/I	33-2753	HP-1004
Tiburon	2.0L L4 F/I	33-2753	HP-1004

Vehicle	Engine Type	Air Filter	Oil Filter
<b>1996 HYUNDAI</b>			
Accent	1.3L L4 F/I	33-2796	
Accent	1.5L L4 F/I	33-2161	HP-1004
Coupe	1.6L L4 F/I	33-2753 ♦	
Coupe	2.0L L4 F/I	33-2753 ♦	
Elantra	1.8L L4 F/I	33-2753	HP-1004
Excel	1.5L L4 F/I - from 11/96	33-2093	HP-1004
Grandeur	3.0L V6 F/I	E-2875	
Lantra II	1.5L L4 F/I	33-2679	
Lantra II	1.6L L4 F/I	33-2753	
Lantra II	1.8L L4 F/I	33-2753	
Lantra II	2.0L L4 F/I	33-2753	
S Coupe	1.5L L4 F/I	33-2679 ♦	
Sonata	2.0L L4 F/I	E-2875	HP-1004
Sonata	3.0L V6 F/I	E-2875	HP-1004
Sonata II	1.8L L4 F/I	E-2875	
Sonata II	2.0L L4 F/I - w/Panel Filter	33-2680	
Sonata II	2.0L L4 F/I - w/Round Filter	E-2875	
Sonata II	3.0L V6 F/I		HP-1004
Sonata II	3.0L V6 F/I - w/Panel Filter	33-2680	HP-1004
Sonata II	3.0L V6 F/I - w/Round Filter	E-2875	HP-1004

Vehicle	Engine Type	Air Filter	Oil Filter
<b>1995 HYUNDAI</b>			
Accent	1.3L L4 F/I	33-2796	
Accent	1.5L L4 F/I	33-2161	HP-1004
Elantra	1.6L L4 F/I	E-2875	HP-1004
Elantra	1.8L L4 F/I	E-2875	HP-1004
Grandeur	3.0L V6 F/I	E-2875	
Lantra I	1.5L L4 F/I - from 8/95	33-2679	
Lantra I	1.5L L4 F/I - to 7/95	E-2875	
Lantra I	1.6L L4 F/I - from 8/95	33-2753	
Lantra I	1.6L L4 F/I - to 7/95	E-2875	
Lantra I	1.8L L4 F/I - from 8/95	33-2753	
Lantra I	1.8L L4 F/I - to 7/95	E-2875	
Lantra II	1.5L L4 F/I - from 8/95	33-2679	
Lantra II	1.5L L4 F/I - to 7/95	E-2875	
Lantra II	1.6L L4 F/I	33-2753	
Lantra II	1.8L L4 F/I	33-2753	
Pony	1.5L L4 CARB	E-2755	
Pony	1.5L L4 F/I	E-2875	

Vehicle	Engine Type	Air Filter	Oil Filter
<b>1995 HYUNDAI</b>			
S Coupe	1.5L L4 F/I	33-2679	HP-1004
		33-2679 ♦	HP-1004
Sonata	2.0L L4 F/I	E-2875	HP-1004
Sonata	3.0L V6 F/I	E-2875	HP-1004
Sonata II	1.8L L4 F/I	E-2875	
Sonata II	2.0L L4 F/I - w/Panel Filter	33-2680	
Sonata II	2.0L L4 F/I - w/Round Filter	E-2875	
Sonata II	3.0L V6 F/I		HP-1004
Sonata II	3.0L V6 F/I - w/Panel Filter	33-2680	HP-1004
Sonata II	3.0L V6 F/I - w/Round Filter	E-2875	HP-1004

Vehicle	Engine Type	Air Filter	Oil Filter
<b>1994 HYUNDAI</b>			
Accent	1.3L L4 F/I	33-2796	
Elantra	1.6L L4 F/I	E-2875	HP-1004
Elantra	1.8L L4 F/I	E-2875	HP-1004
Excel	1.5L L4 F/I	E-2875	HP-1004
Excel	1.5L L4 F/I - Australian	E-2875	HP-1004
Excel	1.5L L4 F/I - Australian, w/Panel Filter, to 10/94	E-2875	HP-1004
Excel	1.5L L4 F/I - Australian, w/Round Filter, to 10/94	33-2034	HP-1004
Grandeur	3.0L V6 F/I	E-2875	
Lantra I	1.5L L4 F/I	E-2875	
Lantra I	1.6L L4 F/I	E-2875	
Lantra I	1.8L L4 F/I	E-2875	
Pony	1.3L L4 CARB	E-2755	
Pony	1.5L L4 CARB	E-2755	
Pony	1.5L L4 F/I	E-2875	
S Coupe	1.5L L4 F/I	33-2679	HP-1004
		33-2679 ♦	HP-1004
Sonata	2.0L L4 F/I	E-2875	HP-1004
Sonata II	2.0L L4 F/I - w/Panel Filter	33-2680	
Sonata II	2.0L L4 F/I - w/Round Filter	E-2875	
Sonata II	3.0L V6 F/I		HP-1004
Sonata II	3.0L V6 F/I - w/Panel Filter	33-2680	HP-1004
Sonata II	3.0L V6 F/I - w/Round Filter	E-2875	HP-1004

Vehicle	Engine Type	Air Filter	Oil Filter
<b>1993 HYUNDAI</b>			
Elantra	1.6L L4 F/I	E-2875	HP-1004
Elantra	1.8L L4 F/I	E-2875	HP-1004
Excel	1.5L L4 F/I	E-2875	HP-1004
Excel	1.5L L4 F/I - Australian	E-2875	HP-1004
Excel	1.5L L4 F/I - Australian, w/Panel Filter	E-2875	HP-1004
Excel	1.5L L4 F/I - Australian, w/Round Filter	33-2034	HP-1004
Lantra I	1.5L L4 F/I	E-2875	
Lantra I	1.8L L4 F/I	E-2875	
Pony	1.5L L4 CARB	E-2755	
Pony	1.5L L4 F/I	E-2875	
S Coupe	1.5L L4 F/I	33-2679	HP-1004
		33-2679 ♦	HP-1004
Sonata	2.0L L4 F/I	E-2875	HP-1004
Sonata I	2.0L L4 F/I - w/Panel Filter	33-2680	
Sonata I	2.0L L4 F/I - w/Round Filter	E-2875	
Sonata II	2.0L L4 F/I - w/Panel Filter	33-2680	
Sonata II	2.0L L4 F/I - w/Round Filter	E-2875	

Vehicle	Engine Type	Air Filter	Oil Filter
<b>1992 HYUNDAI</b>			
Elantra	1.6L L4 F/I	E-2875	HP-1004

\*Indicates 2 filters required    ♦ - Intake kit available    Applications updated daily at [knfilters.com](http://knfilters.com) ®

Partial Listing - Complete List of Vehicles and Applications at [knfilters.com](http://knfilters.com)

# HYUNDAI

# AIR & OIL FILTERS

Vehicle	Engine Type	Air Filter	Oil Filter
<b>1992 HYUNDAI</b>			
Excel	1.5L L4 F/I	E-2875	HP-1004
Excel	1.5L L4 F/I - Australian	E-2875	HP-1004
Excel	1.5L L4 F/I - Australian, w/Panel Filter	E-2875	HP-1004
Excel	1.5L L4 F/I - Australian, w/Round Filter	33-2034	HP-1004
Lantra I	1.6L L4 F/I	E-2875	
Pony	1.5L L4 F/I	E-2875	
S Coupe	1.5L L4 F/I	E-2875	HP-1004
S Coupe	1.5L L4 F/I - 84BHP	E-2875 ♦	HP-1004
S Coupe	1.5L L4 F/I - 88/116BHP	33-2679 ♦	HP-1004
Sonata	2.0L L4 F/I	E-2875	HP-1004
Sonata	3.0L V6 F/I	E-2875	HP-1004
Sonata I	2.0L L4 F/I - w/Panel Filter	33-2680	
Sonata I	2.0L L4 F/I - w/Round Filter	E-2875	
Sonata I	3.0L V6 F/I		HP-1004
Sonata I	3.0L V6 F/I - w/Panel Filter	33-2680	HP-1004
Sonata I	3.0L V6 F/I - w/Round Filter	E-2875	HP-1004

<b>1991 HYUNDAI</b>			
Excel	1.5L L4 F/I	E-2875	HP-1004
Excel	1.5L L4 F/I - Australian	E-2875	HP-1004
Excel	1.5L L4 F/I - Australian, w/Panel Filter	E-2875	HP-1004
Excel	1.5L L4 F/I - Australian, w/Round Filter	33-2034	HP-1004
Pony	1.5L L4 CARB	E-2755	
Pony	1.5L L4 F/I	E-2875	
S Coupe	1.5L L4 F/I		HP-1004
S Coupe	1.5L L4 F/I - Non-US, 116BHP	33-2679	HP-1004
S Coupe	1.5L L4 F/I - US, Non-US, 84BHP	E-2875	HP-1004

<b>1990 HYUNDAI</b>			
Excel	1.5L L4 F/I	E-2875	HP-1004

<b>1989 HYUNDAI</b>			
Excel	1.5L L4 CARB	E-2755	HP-1004
Pony	1.3L L4 CARB - to 9/89	E-2740	
Pony	1.5L L4 CARB - to 9/89	E-2740	

<b>1988 HYUNDAI</b>			
Excel	1.5L L4 CARB	E-2755	HP-1004

<b>1987 HYUNDAI</b>			
Excel	1.5L L4 CARB	E-2755	HP-1004

<b>2003 INDIAN</b>			
Scout	1436 - w/S&S teardrop backplate and Indian teardrop cvr	E-3971	
Spirit	1436 - w/S&S teardrop backplate and Indian teardrop cvr	E-3971	

<b>2002 INDIAN</b>			
Scout	1436 - w/S&S teardrop backplate and Indian teardrop cvr	E-3971	
Spirit	1436 - w/S&S teardrop backplate and Indian teardrop cvr	E-3971	

<b>2001 INDIAN</b>			
Scout	1436 - w/S&S teardrop backplate and Indian teardrop cvr	E-3971	
Spirit	1436 - w/S&S teardrop backplate and Indian teardrop cvr	E-3971	

Vehicle	Engine Type	Air Filter	Oil Filter
<b>2000 INDIAN</b>			
Chief	1436 - w/S&S teardrop backplate and Indian teardrop cvr	E-3971	

<b>1999 INDIAN</b>			
Chief	1436 - w/S&S teardrop backplate and Indian teardrop cvr	E-3971	

<b>2011 INFINITI</b>			
EX35	3.5L V6 F/I	33-2399*	HP-1008
FX35	3.5L V6 F/I	33-2409*	HP-1008
FX50	5.0L V8 F/I	33-2409*	HP-1010
G25	2.5L V6 F/I	33-2399*	HP-1008
G37	3.7L V6 F/I	33-2399* ♦	HP-1008
M37	3.7L V6 F/I	33-2440	HP-1008
M56	5.6L V8 F/I	33-2409*	HP-1010
QX56	5.6L V8 F/I		HP-1010

<b>2010 INFINITI</b>			
EX35	3.5L V6 F/I	33-2399*	HP-1008
FX35	3.5L V6 F/I	33-2409*	HP-1008
FX50	5.0L V8 F/I	33-2409	HP-1010
G37	3.7L V6 F/I	33-2399* ♦	HP-1008
M35	3.5L V6 F/I	33-2440	HP-1008
M45	4.5L V8 F/I	33-2398	HP-1010
QX56	5.6L V8 F/I	33-2286 ♦	HP-1010

<b>2009 INFINITI</b>			
EX35	3.5L V6 F/I	33-2399*	HP-1008
FX35	3.5L V6 F/I	33-2409*	HP-1008
FX50	5.0L V8 F/I	33-2409*	HP-1010
G37	3.7L V6 F/I	33-2399* ♦	HP-1008
M35	3.5L V6 F/I	33-2440	HP-1008
M45	4.5L V8 F/I	33-2398	HP-1010
QX56	5.6L V8 F/I	33-2286 ♦	HP-1010

<b>2008 INFINITI</b>			
EX35	3.5L V6 F/I	33-2399*	HP-1008
FX35	3.5L V6 F/I	33-2031-2	HP-1008
FX45	4.5L V8 F/I	33-2229	HP-1010
G35	3.5L V6 F/I	33-2399* ♦	HP-1008
G37	3.7L V6 F/I	33-2399* ♦	HP-1008
M35	3.5L V6 F/I	33-2397	HP-1008
M45	4.5L V8 F/I	33-2398	HP-1010
QX56	5.6L V8 F/I	33-2286 ♦	HP-1010

<b>2007 INFINITI</b>			
FX35	3.5L V6 F/I	33-2031-2	HP-1008
FX45	4.5L V8 F/I	33-2229	HP-1010
G35	3.5L V6 F/I		HP-1008
G35	3.5L V6 F/I - Coupe	33-2031-2	HP-1008
G35	3.5L V6 F/I - Sedan	33-2399* ♦	HP-1008
M35	3.5L V6 F/I	33-2397	HP-1008
M45	4.5L V8 F/I	33-2398	HP-1010
Q45	4.5L V8 F/I	33-2229	
QX56	5.6L V8 F/I	33-2286 ♦	HP-1010

<b>2006 INFINITI</b>			
FX35	3.5L V6 F/I	33-2031-2	HP-1008
FX45	4.5L V8 F/I	33-2229	HP-1010
G35	3.5L V6 F/I	33-2031-2 ♦	HP-1008
M35	3.5L V6 F/I	33-2397	HP-1008
M45	4.5L V8 F/I	33-2398	HP-1010
Q45	4.5L V8 F/I	33-2229	HP-1010
QX56	5.6L V8 F/I	33-2286 ♦	HP-1010

<b>2005 INFINITI</b>			
FX35	3.5L V6 F/I	33-2031-2	HP-1008

\*Indicates 2 filters required      ♦ - Intake kit available      Applications updated daily at [knfilters.com](http://knfilters.com) ®

# AIR & OIL FILTERS

# INFINITI

Vehicle	Engine Type	Air Filter	Oil Filter
<b>2005 INFINITI</b>			
FX45	4.5L V8 F/I	33-2229	HP-1010
G35	3.5L V6 F/I	33-2031-2 ♦	HP-1008
Q45	4.5L V8 F/I	33-2229	HP-1010
QX56	5.6L V8 F/I	33-2286 ♦	HP-1010
<b>2004 INFINITI</b>			
FX35	3.5L V6 F/I	33-2031-2	HP-1008
FX45	4.5L V8 F/I	33-2229	HP-1010
G35	3.5L V6 F/I - Coupe	33-2031-2 ♦	HP-1008
G35	3.5L V6 F/I - Sedan	33-2031-2 ♦	HP-1008
I35	3.5L V6 F/I	33-2031-2	HP-1010
M45	4.5L V8 F/I	33-2229	HP-1010
Q45	4.5L V8 F/I	33-2229	HP-1010
QX56	5.6L V8 F/I	33-2286 ♦	HP-1010
<b>2003 INFINITI</b>			
FX35	3.5L V6 F/I	33-2031-2	HP-1008
FX45	4.5L V8 F/I	33-2229	HP-1010
G35	3.5L V6 F/I - Coupe	33-2031-2 ♦	HP-1008
G35	3.5L V6 F/I - Sedan	33-2031-2 ♦	HP-1008
I35	3.5L V6 F/I	33-2031-2	HP-1010
M45	4.5L V8 F/I	33-2229	HP-1010
Q45	4.5L V8 F/I	33-2229	HP-1010
QX4	3.5L V6 F/I	33-2031-2	HP-1008
<b>2002 INFINITI</b>			
G20	2.0L L4 F/I	33-2031-2	HP-1008
I35	3.5L V6 F/I	33-2031-2	HP-1008
Q45	4.5L V8 F/I	33-2229	HP-1010
QX4	3.5L V6 F/I	33-2031-2	HP-1008
<b>2001 INFINITI</b>			
G20	2.0L L4 F/I	33-2031-2	HP-1008
I30	3.0L V6 F/I	33-2031-2	HP-1010
Q45	4.1L V8 F/I	33-2031-2	HP-1010
QX4	3.5L V6 F/I	33-2031-2	HP-1010
<b>2000 INFINITI</b>			
G20	2.0L L4 F/I	33-2031-2	HP-1008
I30	3.0L V6 F/I	33-2031-2	HP-1010
Q45	4.1L V8 F/I	33-2110	HP-1010
QX4	3.3L V6 F/I	33-2031-2	HP-1010
<b>1999 INFINITI</b>			
G20	2.0L L4 F/I	33-2031-2	HP-1008
I30	3.0L V6 F/I	33-2031-2	HP-1010
Q45	4.1L V8 F/I	33-2110	HP-1010
QX4	3.3L V6 F/I	33-2031-2	HP-1010
<b>1998 INFINITI</b>			
I30	3.0L V6 F/I	33-2031-2	HP-1010
Q45	4.1L V8 F/I	33-2110	HP-1010
QX4	3.3L V6 F/I	33-2031-2	HP-1010
<b>1997 INFINITI</b>			
I30	3.0L V6 F/I	33-2031-2	HP-1010
J30	3.0L V6 F/I	33-2031-2	HP-2008
Q45	4.1L V8 F/I	33-2110	HP-1010
QX4	3.3L V6 F/I	33-2031-2	HP-1010
<b>1996 INFINITI</b>			
G20	2.0L L4 F/I	33-2031-2	
I30	3.0L V6 F/I	33-2031-2	HP-1010
J30	3.0L V6 F/I	33-2031-2	HP-2008
Q45	4.5L V8 F/I	33-2110	HP-2008
<b>1995 INFINITI</b>			
G20	2.0L L4 F/I	33-2031-2	
J30	3.0L V6 F/I	33-2031-2	HP-2008

Vehicle	Engine Type	Air Filter	Oil Filter
<b>1995 INFINITI</b>			
Q45	4.5L V8 F/I	33-2110	HP-2008
<b>1994 INFINITI</b>			
G20	2.0L L4 F/I	33-2031-2	
J30	3.0L V6 F/I	33-2031-2	HP-2008
Q45	4.5L V8 F/I	33-2110	HP-2008
<b>1993 INFINITI</b>			
G20	2.0L L4 F/I	33-2031-2	
J30	3.0L V6 F/I	33-2031-2	HP-2008
Q45	4.5L V8 F/I	33-2110	HP-2008
<b>1992 INFINITI</b>			
G20	2.0L L4 F/I	33-2031-2	
M30	3.0L V6 F/I	33-2031-2	HP-2008
Q45	4.5L V8 F/I	33-2110	HP-2008
<b>1991 INFINITI</b>			
G20	2.0L L4 F/I	33-2031-2	
M30	3.0L V6 F/I	33-2031-2	HP-2008
Q45	4.5L V8 F/I	33-2110	HP-2008
<b>1990 INFINITI</b>			
M30	3.0L V6 F/I	33-2031-2	HP-2008
Q45	4.5L V8 F/I	33-2110	HP-2008
<b>2007 INTERNATIONAL</b>			
4100	- OEM 1825864C92		FF-4596
4200	- OEM 1825864C92		FF-4596
4200LP	- OEM 1825864C92		FF-4596
7200	- OEM 18431262C91		FF-4596
<b>2006 INTERNATIONAL</b>			
4100	- OEM 1825864C92		FF-4596
4200	- OEM 1825864C92		FF-4596
4200LP	- OEM 1825864C92		FF-4596
7200	- OEM 18431262C91		FF-4596
<b>2005 INTERNATIONAL</b>			
4100	- OEM 1825864C92		FF-4596
4200	- OEM 1825864C92		FF-4596
4200LP	- OEM 1825864C92		FF-4596
7200	- OEM 18431262C91		FF-4596
<b>2004 INTERNATIONAL</b>			
3000	7.3L V8 DSL - OEM 1825864C92, W/S		FF-4596
4100	- OEM 1825864C92		FF-4596
4200	- OEM 1825864C92		FF-4596
4200LP	- OEM 1825864C92		FF-4596
7200	- OEM 18431262C91		FF-4596
<b>2003 INTERNATIONAL</b>			
3000	7.3L V8 DSL - OEM 1825864C92, W/S		FF-4596
4100	- OEM 1825864C92		FF-4596
4200	- OEM 1825864C92		FF-4596
4200LP	- OEM 1825864C92		FF-4596
7200	- OEM 18431262C91		FF-4596
<b>2002 INTERNATIONAL</b>			
3000	7.3L V8 DSL - W/S, OEM 1825864C92		FF-4596
4100	- OEM 1825864C92		FF-4596
4200	- OEM 1825864C92		FF-4596
4200LP	- OEM 1825864C92		FF-4596
<b>2001 INTERNATIONAL</b>			
3000	7.3L V8 DSL - W/S, OEM 1825864C92		FF-4596

\*Indicates 2 filters required

♦ - Intake kit available

Applications updated daily at [knfilters.com](http://knfilters.com) ®

**Partial Listing - Complete List of Vehicles and Applications at [knfilters.com](http://knfilters.com)**

# INTERNATIONAL

# AIR & OIL FILTERS

Vehicle	Engine Type	Air Filter	Oil Filter
<b>2000 INTERNATIONAL</b>			
3000	7.3L V8 DSL - W/S, OEM 1825864C92		FF-4596
<b>1999 INTERNATIONAL</b>			
3000	7.3L V8 DSL - OEM 1825864C92, W/S		FF-4596
<b>1998 INTERNATIONAL</b>			
3000	7.3L V8 DSL - OEM 1825864C92, W/S		FF-4596
<b>1980 INTERNATIONAL</b>			
Scout II	196 L4 CARB	E-1090	HP-3001
Scout II	198 L6 DSL	E-1090	
Scout II	304 V8 CARB		HP-3001
Scout II	345 V8 CARB		HP-3001
Scout II	345 V8 CARB - Calif.	E-1530	HP-3001
Scout II	345 V8 CARB - exc. Calif	E-1090	HP-3001
<b>1979 INTERNATIONAL</b>			
Scout II	196 L4 CARB	E-1090	HP-3001
Scout II	304 V8 CARB	E-1090	HP-3001
Scout II	345 V8 CARB	E-1090	HP-3001
<b>1978 INTERNATIONAL</b>			
Scout II	304 V8 CARB	E-1090	HP-3001
Scout II	345 V8 CARB	E-1090	HP-3001
<b>1977 INTERNATIONAL</b>			
Scout II	304 V8 CARB	E-1090	HP-3001
Scout II	345 V8 CARB	E-1090	HP-3001
<b>1976 INTERNATIONAL</b>			
Scout II	304 V8 CARB	E-1090	HP-3001
Scout II	345 V8 CARB	E-1090	HP-3001
<b>1975 INTERNATIONAL</b>			
Scout II	304 V8 CARB	E-1090	HP-3001
Scout II	345 V8 CARB	E-1090	HP-3001
<b>1974 INTERNATIONAL</b>			
100 Truck	345 V8 CARB	E-1090	HP-3001
100 Truck	392 V8 CARB	E-1090	HP-3001
Scout II	304 V8 CARB	E-1090	HP-3001
Scout II	345 V8 CARB	E-1090	HP-3001
<b>1973 INTERNATIONAL</b>			
Scout II	304 V8 CARB	E-1090	HP-3001
Scout II	345 V8 CARB	E-1090	HP-3001
<b>1972 INTERNATIONAL</b>			
Scout II	304 V8 CARB	E-1090	HP-3001
Scout II	345 V8 CARB	E-1090	HP-3001
<b>1967 INTERNATIONAL</b>			
Heavy Duty Truck	345 V8		HP-3001
Heavy Duty Truck	345 V8 - exc. oil bath	E-1460	HP-3001
Scout	196 L4 CARB	E-1080	HP-3001
<b>2011 ISUZU</b>			
D-Max	2.5L L4 DSL	33-2013	
D-Max	3.0L L4 DSL	33-2013	
<b>2010 ISUZU</b>			
D-Max	2.5L L4 DSL	33-2013	
D-Max	3.0L L4 DSL	33-2013	
<b>2009 ISUZU</b>			
D-Max	2.5L L4 DSL	33-2013	
D-Max	3.0L L4 DSL	33-2013	
<b>2008 ISUZU</b>			
Ascender	4.2L L6 F/I	E-1009 ♦	HP-2006

Vehicle	Engine Type	Air Filter	Oil Filter
<b>2008 ISUZU</b>			
D-Max	2.5L L4 DSL	33-2013	
D-Max	3.0L L4 DSL	33-2013	
i-290	2.9L L4 F/I		HP-1007
i-370	3.7L L5 F/I		HP-2006
<b>2007 ISUZU</b>			
Ascender	4.2L L6 F/I	E-1009 ♦	HP-2006
D-Max	2.5L L4 DSL	33-2013	
D-Max	3.0L L4 DSL	33-2013	
i-280	2.8L L4 F/I	E-0773	
i-290	2.9L L4 F/I	E-0773	HP-1007
i-370	3.7L L5 F/I	E-0773	HP-2006
Trooper	3.0L L4 DSL	E-2447	
<b>2006 ISUZU</b>			
Ascender	4.2L L6 F/I	E-1009 ♦	HP-2006
Ascender	5.3L V8 F/I	E-1009	HP-1007
i-280	2.8L L4 F/I	E-0773	HP-1007
I350	3.5L L5 F/I	E-0773	HP-2006
Trooper	3.0L L4 DSL	E-2447	
<b>2005 ISUZU</b>			
Ascender	4.2L L6 F/I	E-1009	HP-2006
Ascender	5.3L V8 F/I	E-1009	HP-1007
Rodeo	3.0L L4 DSL	E-2023	
Trooper	3.0L L4 DSL	E-2447	
<b>2004 ISUZU</b>			
Ascender	4.2L L6 F/I	E-1009	HP-2006
Ascender	5.3L V8 F/I	E-1009	HP-1007
Axiom	3.5L V6 F/I		HP-1004
Rodeo	3.0L L4 DSL	E-2023	
Rodeo	3.2L V6 F/I	33-2108	HP-1004
Rodeo	3.5L V6 F/I	33-2108	HP-1004
Rodeo	3.5L V6 F/I - Australian	33-2918	HP-1004
Trooper	3.0L L4 DSL	E-2447	
<b>2003 ISUZU</b>			
Ascender	4.2L L6 F/I	E-1009	HP-2006
Ascender	5.3L V8 F/I	E-1009	HP-1007
Axiom	3.5L V6 F/I	33-2108	HP-1004
Rodeo	2.2L L4 F/I	33-2108	HP-1001
Rodeo	3.2L V6 F/I	33-2108	HP-1004
Rodeo Sport	2.2L L4 F/I		HP-1001
Rodeo Sport	3.2L V6 F/I		HP-1004
Trooper	3.0L L4 DSL	E-2447	
<b>2002 ISUZU</b>			
Axiom	3.5L V6 F/I	33-2108	HP-1004
Rodeo	2.2L L4 F/I	33-2108	HP-1001
Rodeo	3.2L V6 F/I	33-2108	HP-1004
Rodeo Sport	2.2L L4 F/I		HP-1001
Rodeo Sport	3.2L V6 F/I		HP-1004
Trooper	3.0L L4 DSL	E-2447	
Trooper	3.5L V6 F/I	33-2064	HP-1004
Vehicross	3.5L V6 F/I	33-2064	
<b>2001 ISUZU</b>			
Rodeo	2.2L L4 F/I	33-2108	HP-1001
Rodeo	3.2L V6 F/I	33-2108	HP-1004
Rodeo Sport	2.2L L4 F/I		HP-1001
Rodeo Sport	3.2L V6 F/I		HP-1004
Trooper	3.0L L4 DSL	E-2447	
Trooper	3.5L V6 F/I	33-2064	HP-1004
Vehicross	3.5L V6 F/I	33-2064	HP-1004
<b>2000 ISUZU</b>			
Amigo	2.2L L4 F/I	33-2108	HP-1001

\*Indicates 2 filters required

♦ - Intake kit available

Applications updated daily at [knfilters.com](http://knfilters.com) ®

# AIR & OIL FILTERS

# ISUZU

Vehicle	Engine Type	Air Filter	Oil Filter
<b>2000 ISUZU</b>			
Amigo	3.2L V6 F/I	33-2108	HP-1004
Hombre	2.2L L4 F/I	33-2042	HP-1001
Hombre	4.3L V6 F/I	33-2042	HP-2001
Oasis	2.3L L4 F/I	33-2071	HP-1004
Rodeo	2.2L L4 F/I	33-2108	HP-1001
Rodeo	3.2L V6 F/I	33-2108	HP-1004
Trooper	3.0L L4 DSL	E-2447	
Trooper	3.5L V6 F/I	33-2064	HP-1004
Vehicross	3.5L V6 F/I	33-2064	HP-1004

Vehicle	Engine Type	Air Filter	Oil Filter
<b>1999 ISUZU</b>			
Amigo	2.2L L4 F/I	33-2108	HP-1001
Amigo	3.2L V6 F/I	33-2108	HP-1004
Hombre	2.2L L4 F/I	33-2042	HP-1001
Hombre	4.3L V6 F/I	33-2042	HP-2001
Oasis	2.3L L4 F/I	33-2071	HP-1004
Rodeo	2.2L L4 F/I	33-2108	HP-1001
Rodeo	3.2L V6 F/I	33-2108	HP-1004
Trooper	3.0L L4 DSL	E-2447	
Trooper	3.1L L4 DSL - Non-US, Thailand	E-2447	
Trooper	3.5L V6 F/I	33-2064	HP-1004
Vehicross	3.5L V6 F/I	33-2064	HP-1004

Vehicle	Engine Type	Air Filter	Oil Filter
<b>1998 ISUZU</b>			
Amigo	2.2L L4 F/I	33-2108	HP-1001
Amigo	3.2L V6 F/I	33-2108	HP-1004
Hombre	2.2L L4 F/I	33-2042	HP-1001
Hombre	4.3L V6 F/I	33-2042	HP-2001
Oasis	2.3L L4 F/I	33-2071	HP-1004
Rodeo	2.2L L4 F/I	33-2108	HP-1001
Rodeo	3.2L V6 F/I	33-2108	HP-1004
Trooper	3.5L V6 F/I	33-2064	HP-1004

Vehicle	Engine Type	Air Filter	Oil Filter
<b>1997 ISUZU</b>			
Hombre	2.2L L4 F/I	33-2042	HP-1001
Hombre	4.3L V6 F/I	33-2042	HP-2001
Oasis	2.2L L4 F/I	33-2071	HP-1004
Rodeo	2.6L L4 F/I	E-2605-1	HP-1004
Rodeo	3.2L V6 F/I	33-2108	HP-1004
Trooper	3.2L V6 F/I	33-2064	HP-1004

Vehicle	Engine Type	Air Filter	Oil Filter
<b>1996 ISUZU</b>			
Hombre	2.2L L4 F/I	33-2042	HP-1001
Oasis	2.2L L4 F/I	33-2071	HP-1004
Rodeo	2.6L L4 F/I	E-2605-1	HP-1004
Rodeo	3.2L V6 F/I	33-2108	HP-1004
Trooper	3.2L V6 F/I	33-2064	HP-1004

Vehicle	Engine Type	Air Filter	Oil Filter
<b>1995 ISUZU</b>			
Pickup	2.3L L4 F/I	E-2760	HP-1004
Pickup	2.6L L4 F/I	E-2605-1	HP-1004
Rodeo	2.6L L4 F/I	E-2605-1	HP-1004
Rodeo	3.2L V6 F/I	33-2064	HP-1004
Trooper	3.2L V6 F/I	33-2064	HP-1004

Vehicle	Engine Type	Air Filter	Oil Filter
<b>1994 ISUZU</b>			
Amigo	2.6L L4 F/I	E-2605-1	HP-1004
Pickup	2.3L L4 CARB	E-2760	HP-1004
Pickup	2.6L L4 F/I	E-2605-1	HP-1004
Pickup	3.1L V6 F/I	E-1065	HP-1001
Rodeo	2.6L L4 F/I	E-2605-1	HP-1004
Rodeo	3.2L V6 F/I	33-2064	HP-1004
Trooper	3.2L V6 F/I	33-2064	HP-1004

Vehicle	Engine Type	Air Filter	Oil Filter
<b>1993 ISUZU</b>			
Amigo	2.3L L4 CARB	E-2760	HP-1004
Amigo	2.6L L4 F/I	E-2605-1	HP-1004

Vehicle	Engine Type	Air Filter	Oil Filter
<b>1993 ISUZU</b>			
Pickup	2.3L L4 CARB	E-2760	HP-1004
Pickup	2.6L L4 F/I	E-2605-1	HP-1004
Pickup	3.1L V6 F/I	E-1065	HP-1001
Rodeo	2.6L L4 F/I	E-2605-1	HP-1004
Rodeo	3.2L V6 F/I	33-2064	HP-1004
Stylus	1.6L L4 F/I	33-2050-1	HP-1004
Trooper	3.2L V6 F/I	33-2064	HP-1004

Vehicle	Engine Type	Air Filter	Oil Filter
<b>1992 ISUZU</b>			
Amigo	2.3L L4 CARB	E-2760	HP-1004
Amigo	2.6L L4 F/I	E-2605-1	HP-1004
Impulse	1.6L L4 F/I	33-2050-1	HP-1004
Impulse	1.8L L4 F/I	33-2050-1	HP-1004
Pickup	2.3L L4 CARB	E-2760	HP-1004
Pickup	2.6L L4 F/I	E-2605-1	HP-1004
Pickup	3.1L V6 F/I	E-1065	HP-1001
Rodeo	2.6L L4 F/I	E-2605-1	HP-1004
Rodeo	3.1L V6 F/I	E-1065	HP-1001
Rodeo	2.6L L4 F/I	E-2605-1	HP-1004
Rodeo	3.1L V6 F/I	E-1065	HP-1001
Stylus	1.6L L4 F/I	33-2050-1	
Stylus	1.8L L4 F/I	33-2050-1	HP-1004
Trooper	3.1L DSL - Turbo	38-9154	
Trooper	3.2L V6 F/I	33-2064	HP-1004

Vehicle	Engine Type	Air Filter	Oil Filter
<b>1991 ISUZU</b>			
Amigo	2.3L L4 CARB	E-2760	HP-1004
Impulse	1.6L L4 F/I	33-2050-1	HP-1004
Pickup	2.3L L4 CARB	E-2760	HP-1004
Pickup	2.6L L4 F/I	E-2605-1	HP-1004
Pickup	3.1L V6 F/I	E-1065	HP-1001
Rodeo	2.6L L4 F/I	E-2605-1	HP-1004
Rodeo	3.1L V6 F/I	E-1065	HP-1001
Stylus	1.6L L4 F/I	33-2050-1	HP-1004
Trooper	2.2L L4 DSL	E-2220	
Trooper	2.6L L4 F/I	E-2605-1	HP-1004
Trooper	2.8L L6 DSL	E-2220	
Trooper	2.8L V6 F/I	E-1065	HP-1001

Vehicle	Engine Type	Air Filter	Oil Filter
<b>1990 ISUZU</b>			
Amigo	2.3L L4 CARB	E-2760	HP-1004
Amigo	2.6L L4 F/I	E-2605-1	HP-1004
Impulse	1.6L L4 F/I	33-2050-1	HP-1004
Pickup	2.3L L4 CARB	E-2760	HP-1004
Pickup	2.6L L4 F/I	E-2605-1	HP-1004
Trooper	2.2L L4 DSL	E-2220	
Trooper	2.6L L4 F/I	E-2605-1	HP-1004
Trooper	2.8L L6 DSL	E-2220	
Trooper	2.8L V6 F/I	E-1065	HP-1001

Vehicle	Engine Type	Air Filter	Oil Filter
<b>1989 ISUZU</b>			
Amigo	2.3L L4 CARB	E-2760	HP-1004
Amigo	2.6L L4 F/I	E-2605-1	HP-1004
I-Mark	1.5L L4 CARB		HP-1004
I-Mark	1.5L L4 F/I		HP-1004
I-Mark	1.6L L4 F/I		HP-1004
Piazza	2.0L L4 F/I	E-2222	
Pickup	2.3L L4 CARB	E-2760	HP-1004
Pickup	2.6L L4 F/I		HP-1004
Trooper	2.2L L4 DSL	E-2220	
Trooper	2.6L L4 F/I		HP-1004
Trooper	2.8L L6 DSL	E-2220	
Trooper	2.8L V6 F/I	E-1065	HP-1001

Vehicle	Engine Type	Air Filter	Oil Filter
<b>1988 ISUZU</b>			
I-Mark	1.5L L4 CARB		HP-1004
I-Mark	1.5L L4 F/I		HP-1004
Pickup	2.3L L4 CARB	E-2760	HP-1004

\*Indicates 2 filters required

◆ - Intake kit available

Applications updated daily at [knfilters.com](http://knfilters.com) ®

Partial Listing - Complete List of Vehicles and Applications at [knfilters.com](http://knfilters.com)

# ISUZU

# AIR & OIL FILTERS

Vehicle	Engine Type	Air Filter	Oil Filter
<b>1988 ISUZU</b>			
Pickup	2.6L L4 F/I		HP-1004
Trooper	2.2L L4 DSL	E-2220	
Trooper	2.3L L4 CARB - Petrol, 4ZD1 Eng.	E-2760	
Trooper	2.6L L4 F/I		HP-1004
Trooper	2.8L L6 DSL	E-2220	

<b>1987 ISUZU</b>			
Pickup	2.2L L4 DSL	E-2760	
Trooper	2.3L L4 CARB	E-2760	HP-1004

<b>1986 ISUZU</b>			
Pickup	1.9L L4 CARB	E-2760	HP-1005
Pickup	2.2L L4 DSL	E-2760	
Pickup	2.3L L4 CARB	E-2760	HP-1005
Trooper	2.0L L4 - Petrol	E-2760	
Trooper	2.2L L4 DSL	E-2220	
Trooper	2.3L L4 CARB	E-2760	HP-1004

<b>1985 ISUZU</b>			
Gemini	1.5L DSL - Turbo	33-2031-2	
Pickup	2.2L L4 DSL	E-2760	
Trooper	1.9L L4 CARB	E-2760	HP-1004
Trooper	2.2L L4 DSL	E-2220	
Trooper	2.3L L4 CARB	E-2760	HP-1004

<b>1982 ISUZU</b>			
Pickup	2.2L L4 DSL	E-2760	

<b>1981 ISUZU</b>			
I-Mark	1.8L L4 CARB	E-2760	HP-1005
I-Mark	1.8L L4 DSL		HP-2007
Pickup	2.2L L4 DSL	E-2760	

<b>2011 JAGUAR</b>			
XF	3.0L V6 DSL	33-2273	
XF	3.0L V6 F/I	33-2273	
XF	5.0L V8 F/I	33-2273*	
XJ	3.0L V6 DSL	33-2273	
XJ	5.0L V8 F/I	33-2273*	
XK	5.0L V8 F/I	33-2445	

<b>2010 JAGUAR</b>			
XF	3.0L V6 DSL	33-2273	
XF	3.0L V6 F/I	33-2273	
XF	4.2L V8 F/I	33-2273	HP-1014
XF	5.0L V8 F/I	33-2273*	
XFR	5.0L V8 F/I	33-2273*	
XJ	3.0L V6 DSL	33-2273	
XJ	5.0L V8 F/I	33-2273*	
XK	5.0L V8 F/I	33-2445*	
XKR	5.0L V8 F/I	33-2445*	
X-Type	2.5L V6 F/I	33-2264	
X-Type	3.0L V6 F/I	33-2264	

<b>2009 JAGUAR</b>			
Super V8	4.2L V8 F/I		HP-1014
Vanden Plas	4.2L V8 F/I		HP-1014
XF	3.0L V6 F/I		HP-2009
XF	4.2L V8 F/I	33-2273*	HP-1014
XF Luxury	4.2L V8 F/I	33-2273	HP-1014
XJ	3.0L V6 DSL	33-2273	
XJ8	4.2L V8 F/I	33-2273*	HP-1014
XJR	4.2L V8 F/I	33-2273*	HP-1014
XK	4.2L V8 F/I		HP-1014
XKR	4.2L V8 F/I		HP-1014
X-Type	2.5L V6 F/I	33-2264	

Vehicle	Engine Type	Air Filter	Oil Filter
<b>2008 JAGUAR</b>			
S-Type	2.7L V6 DSL	33-2273	
S-Type	3.0L V6 F/I		HP-2009
S-Type	3.0L V6 F/I - Non-US	33-2266	HP-2009
S-Type	3.0L V6 F/I - US	33-2273	HP-2009
S-Type	4.2L V8 F/I	33-2273	HP-1014
Super V8	4.2L V8 F/I		HP-1014
Vanden Plas	4.2L V8 F/I		HP-1014

XF	2.7L V6 DSL	33-2273	
XF	3.0L V6 F/I		HP-2009
XF	4.2L V8 F/I		HP-1014
XJ8	4.2L V8 F/I	33-2273	HP-1014
XJR	4.2L V8 F/I		HP-1014
XK	4.2L V8 F/I		HP-1014
XKR	4.2L V8 F/I		HP-1014
X-Type	2.5L V6 F/I	33-2264	
X-Type	3.0L V6 F/I	33-2264	HP-2009

<b>2007 JAGUAR</b>			
S-Type	2.7L V6 DSL	33-2273	
S-Type	3.0L V6 F/I		HP-2009
S-Type	3.0L V6 F/I - Non-US	33-2266	HP-2009
S-Type	3.0L V6 F/I - US	33-2273	HP-2009
S-Type	4.2L V8 F/I	33-2273	HP-1014
Super V8	4.2L V8 F/I	33-2273	HP-1014
Vanden Plas	4.2L V8 F/I	33-2273	HP-1014
XJ8	3.5L V8 F/I	33-2273	
XJ8	4.2L V8 F/I	33-2273	HP-1014
XJR	4.2L V8 F/I	33-2273	HP-1014
XK	4.2L V8 F/I		HP-1014
XK8	4.2L V8 F/I	33-2190	
XKR	4.2L V8 F/I		HP-1014
X-Type	2.5L V6 F/I	33-2264	
X-Type	3.0L V6 F/I	33-2264	HP-2009

<b>2006 JAGUAR</b>			
S-Type	2.7L V6 DSL	33-2273	
S-Type	3.0L V6 F/I		HP-2009
S-Type	3.0L V6 F/I - Non-US	33-2266	HP-2009
S-Type	3.0L V6 F/I - US	33-2273	HP-2009
S-Type	4.2L V8 F/I	33-2273	HP-1014
Super V8	4.2L V8 F/I	33-2273	HP-1014
Vanden Plas	4.2L V8 F/I	33-2273	HP-1014
XJ8	3.5L V8 F/I	33-2273	
XJ8	4.2L V8 F/I	33-2273	HP-1014
XJR	4.2L V8 F/I	33-2273	HP-1014
XK8	4.2L V8 F/I	33-2190	HP-1014
XK8-R	4.2L V8 F/I	33-2190	
XKR	4.2L V8 F/I	33-2190	HP-1014
X-Type	2.0L V6 F/I	33-2264	
X-Type	2.5L V6 F/I	33-2264	
X-Type	3.0L V6 F/I	33-2264	HP-2009

<b>2005 JAGUAR</b>			
S-Type	2.5L V6 F/I	33-2266	
S-Type	2.7L V6 DSL	33-2273	
S-Type	3.0L V6 F/I		HP-2009
S-Type	3.0L V6 F/I - Non-US	33-2266	HP-2009
S-Type	3.0L V6 F/I - US	33-2273	HP-2009
S-Type	4.2L V8 F/I	33-2273	HP-1014
Vanden Plas	4.2L V8 F/I	33-2273	HP-1014
XJ8	3.5L V8 F/I	33-2273	
XJ8	4.2L V8 F/I	33-2273	HP-1014
XJR	4.2L V8 F/I	33-2273	HP-1014
XK8	4.0L V8 F/I	33-2190	
XK8	4.2L V8 F/I	33-2190	HP-1014

\*Indicates 2 filters required

◆ - Intake kit available

Applications updated daily at [knfilters.com](http://knfilters.com) ®



# AIR & OIL FILTERS

# JAGUAR

Vehicle	Engine Type	Air Filter	Oil Filter	Vehicle	Engine Type	Air Filter	Oil Filter
<b>2005 JAGUAR</b>				<b>2001 JAGUAR</b>			
XK8-R	4.2L V8 F/I	33-2190		XJ6	3.2L L6 F/I	33-2003	
XKR	4.2L V8 F/I	33-2190	HP-1014	XJ8	3.2L V8 F/I	33-2190	
X-Type	2.0L V6 F/I	33-2264		XJ8	4.0L V8 F/I	33-2190	
X-Type	2.5L V6 F/I	33-2264	HP-2009	XJR	4.0L V8 F/I	33-2190	
X-Type	3.0L V6 F/I	33-2264	HP-2009	XK8	4.0L V8 F/I	33-2190	
<b>2004 JAGUAR</b>				<b>2000 JAGUAR</b>			
S-Type	2.5L V6 F/I	33-2266		XKR	4.0L V8 F/I	33-2190	
S-Type	2.7L V6 DSL - from 4/04	33-2273		X-Type	2.0L V6 F/I - Non-US, 157BHP, 24v, DOHC	33-2264	
S-Type	3.0L V6 F/I		HP-2009	X-Type	2.5L V6 F/I	33-2264	
S-Type	3.0L V6 F/I - Non-US	33-2266	HP-2009	X-Type	3.0L V6 F/I	33-2264	
S-Type	3.0L V6 F/I - US	33-2273	HP-2009	<b>2000 JAGUAR</b>			
S-Type	4.2L V8 F/I	33-2273	HP-1014	S-Type	3.0L V6 F/I	33-2266	HP-2009
Vanden Plas	4.2L V8 F/I	33-2273	HP-1014	S-Type	4.0L V8 F/I	33-2266	
XJ8	3.5L V8 F/I	33-2273		XJ6	3.2L L6 F/I	33-2003	
XJ8	4.2L V8 F/I	33-2273	HP-1014	XJ8	3.2L V8 F/I	33-2190	
XJR	4.2L V8 F/I	33-2273	HP-1014	XJ8	4.0L V8 F/I	33-2190	
XK8	4.0L V8 F/I	33-2190		XJR	4.0L V8 F/I	33-2190	
XK8	4.2L V8 F/I	33-2190	HP-1014	XK8	4.0L V8 F/I	33-2190	
XK8-R	4.2L V8 F/I	33-2190		XKR	4.0L V8 F/I	33-2190	
XKR	4.2L V8 F/I	33-2190	HP-1014	<b>1999 JAGUAR</b>			
X-Type	2.0L V6 F/I	33-2264		S-Type	4.0L V8 F/I	33-2266	
X-Type	2.5L V6 F/I	33-2264	HP-2009	XJ6	3.2L L6 F/I	33-2003	
X-Type	3.0L V6 F/I	33-2264	HP-2009	XJ8	3.2L V8 F/I	33-2190	
<b>2003 JAGUAR</b>				<b>1998 JAGUAR</b>			
S-Type	2.5L V6 F/I	33-2266		XJ8	4.0L V8 F/I	33-2190	
S-Type	3.0L V6 F/I		HP-2009	XJR	4.0L V8 F/I	33-2190	
S-Type	3.0L V6 F/I - Non-US	33-2266	HP-2009	XK8	4.0L V8 F/I	33-2190	
S-Type	3.0L V6 F/I - US	33-2273	HP-2009	XKR	4.0L V8 F/I	33-2190	
S-Type	4.2L V8 F/I	33-2273	HP-1014	<b>1998 JAGUAR</b>			
XJ6	3.2L L6 F/I	33-2003		XJ6	3.2L L6 F/I	33-2003	
XJ8	3.2L V8 F/I	33-2190		XJ8	3.2L V8 F/I	33-2190	
XJ8	3.5L V8 F/I	33-2273		XJ8	4.0L V8 F/I	33-2190	
XJ8	4.0L V8 F/I	33-2190		XJR	4.0L V8 F/I	33-2190	
XJ8	4.2L V8 F/I	33-2273		XK8	4.0L V8 F/I	33-2190	
XJR	4.0L V8 F/I - to 5/03	33-2190		XKR	4.0L V8 F/I	33-2190	
XK8	4.0L V8 F/I	33-2190		<b>1997 JAGUAR</b>			
XK8	4.2L V8 F/I	33-2190	HP-1014	XJ6	3.2L L6 F/I	33-2003	
XK8-R	4.2L V8 F/I	33-2190		XJ6	4.0L L6 F/I	33-2003	
XKR	4.2L V8 F/I	33-2190	HP-1014	XJ8	3.2L V8 F/I	33-2190	
X-Type	2.0L V6 F/I	33-2264		XJ8	4.0L V8 F/I	33-2190	
X-Type	2.5L V6 F/I	33-2264	HP-2009	XJ12	6.0L V12 F/I	33-2003	
X-Type	3.0L V6 F/I	33-2264	HP-2009	XJR	4.0L L6 F/I - Exc., Supercharged	33-2003	
<b>2002 JAGUAR</b>				<b>1996 JAGUAR</b>			
S-Type	2.5L V6 F/I	33-2266		XJR	4.0L L6 F/I - Supercharged	33-2190	
S-Type	3.0L V6 F/I	33-2266	HP-2009	XK8	4.0L V8 F/I	33-2190	
S-Type	4.0L V8 F/I	33-2266		<b>1996 JAGUAR</b>			
S-Type	4.2L V8 F/I	33-2273		XJ6	3.2L L6 F/I	33-2003	
XJ6	3.2L L6 F/I	33-2003		XJ6	4.0L L6 F/I	33-2003	
XJ8	3.2L V8 F/I	33-2190		XJ12	6.0L V12 F/I	33-2003	
XJ8	4.0L V8 F/I	33-2190		XJR	4.0L L6 F/I	33-2003	
XJR	4.0L V8 F/I	33-2190		XJS	6.0L V12 F/I	33-2011	
XK8	4.0L V8 F/I	33-2190		XK8	4.0L V8 F/I	33-2190	
XK8	4.2L V8 F/I	33-2190		<b>1995 JAGUAR</b>			
XK8-R	4.2L V8 F/I	33-2190		XJ6	3.2L L6 F/I	33-2003	
XKR	4.0L V8 F/I	33-2190		XJ6	4.0L L6 F/I	33-2003	
X-Type	2.0L V6 F/I	33-2264		XJ12	6.0L V12 F/I	33-2003	
X-Type	2.5L V6 F/I	33-2264	HP-2009	XJR	4.0L L6 F/I	33-2003	
X-Type	3.0L V6 F/I	33-2264	HP-2009	XJS	6.0L V12 F/I	33-2011	
<b>2001 JAGUAR</b>				<b>1994 JAGUAR</b>			
S-Type	3.0L V6 F/I	33-2266	HP-2009	XJ6	3.2L L6 F/I	33-2003	
S-Type	4.0L V8 F/I	33-2266		XJ6	4.0L L6 F/I	33-2003	
				XJ12	6.0L V12 F/I	33-2003	

\*Indicates 2 filters required      ♦ - Intake kit available      Applications updated daily at [knfilters.com](http://knfilters.com) ®

**Partial Listing - Complete List of Vehicles and Applications at [knfilters.com](http://knfilters.com)**

# JAGUAR

# AIR & OIL FILTERS

Vehicle	Engine Type	Air Filter	Oil Filter
<b>1994 JAGUAR</b>			
XJR	4.0L L6 F/I	33-2003	
XJS	6.0L V12 F/I	33-2011	
<b>1993 JAGUAR</b>			
XJ6	3.2L L6 F/I	33-2003	
XJ6	4.0L L6 F/I	33-2003	
XJ12	6.0L V12 F/I	33-2003	
XJS	5.3L V12 F/I	33-2011	
XJS	6.0L V12 F/I	33-2011	
<b>1992 JAGUAR</b>			
XJ6	4.0L L6 F/I	33-2003	
XJ12	5.3L V12 F/I	33-2011	
XJS	3.6L L6 F/I	33-2011	
XJS	5.3L V12 F/I	33-2011	
<b>1991 JAGUAR</b>			
XJ6	3.2L L6 F/I	33-2003	
XJ6	4.0L L6 F/I	33-2003	
XJ12	5.3L V12 F/I	33-2011	
XJS	3.6L L6 F/I	33-2011	
XJS	5.3L V12 F/I	33-2011	
<b>1990 JAGUAR</b>			
XJ6	4.0L L6 F/I	33-2003	
XJ12	5.3L V12 F/I	33-2011	
XJS	3.6L L6 F/I	33-2011	
XJS	5.3L V12 F/I	33-2011	
<b>1989 JAGUAR</b>			
XJ6	2.9L L6 F/I	33-2003	
XJ6	3.6L L6 F/I	33-2003	
XJ12	5.3L V12 F/I	33-2011	
XJS	5.3L V12 F/I	33-2011	
<b>1988 JAGUAR</b>			
XJ	5.3L V12 F/I - Series I, II	33-2579	
XJ6	2.9L L6 F/I	33-2003	
XJ6	3.6L L6 F/I	33-2003	
XJ12	5.3L V12 F/I	33-2011	
XJS	3.6L L6 F/I	33-2011	
XJS	5.3L V12 F/I	33-2011	
<b>1987 JAGUAR</b>			
XJ6	4.2L L6 F/I	E-2350	
XJ12	5.3L V12 F/I	33-2011	
XJS	5.3L V12 F/I - w/Panel Filter	33-2011	
XJS	5.3L V12 F/I - w/Round Filter	E-2350	
<b>1986 JAGUAR</b>			
XJ6	4.2L L6 F/I	E-2350	
XJ12	5.3L V12 F/I	33-2011	
XJS	5.3L V12 F/I	33-2011	
<b>1985 JAGUAR</b>			
XJ6	4.2L L6 F/I	E-2350	
XJ12	5.3L V12 F/I	33-2011	
XJS	3.6L L6 F/I	33-2011	
XJS	5.3L V12 F/I	33-2011	
<b>1984 JAGUAR</b>			
XJ6	4.2L L6 F/I	E-2350	
XJS	5.3L V12 F/I	33-2011	
<b>1983 JAGUAR</b>			
XJS	5.3L V12 F/I	33-2011	

Vehicle	Engine Type	Air Filter	Oil Filter
<b>1982 JAGUAR</b>			
XJ6	4.2L L6 F/I	E-2350	
XJS	5.3L V12 F/I	33-2011	
<b>1980 JAGUAR</b>			
XJ6	4.2L L6 F/I	E-2350	
XJS	5.3L V12 F/I	33-2011	
<b>1978 JAGUAR</b>			
XJ6	4.2L L6 CARB	33-2011	
XJ6	4.2L L6 F/I	E-2350	
<b>1977 JAGUAR</b>			
XJ6	4.2L L6 CARB	33-2011	
XJ6	4.2L L6 F/I	E-2350	
<b>1975 JAGUAR</b>			
XJ6	4.2L L6 CARB	33-2011	
XJ6	4.2L L6 F/I	E-2350	
<b>1972 JAGUAR</b>			
XJ6	4.2L L6 CARB	33-2011	
<b>2011 JEEP</b>			
Cherokee	3.7L V6 F/I	33-2363	
Compass	2.0L L4 F/I		HP-1017
Compass	2.4L L4 F/I		HP-1017
Grand Cherokee	3.6L V6 F/I	33-2457	
Grand Cherokee	5.7L V8 F/I	33-2457	HP-2010
Liberty	3.7L V6 F/I	33-2363	HP-2011
Patriot	2.0L L4 F/I		HP-1017
Patriot	2.4L L4 F/I		HP-1017
Wrangler	3.8L V6 F/I	33-2364 ♦	HP-1002
<b>2010 JEEP</b>			
Cherokee	3.7L V6 F/I	33-2363	
Commander	3.0L V6 DSL	33-2420	
Commander	3.7L V6 F/I	33-2233 ♦	HP-2011
Commander	5.7L V8 F/I	33-2233 ♦	HP-2010
Compass	2.0L L4 F/I	33-2362 ♦	HP-1017
Compass	2.4L L4 F/I	33-2362 ♦	HP-1017
Grand Cherokee	3.7L V6 F/I	33-2233 ♦	HP-2011
Grand Cherokee	5.7L V8 F/I	33-2233 ♦	HP-2010
Grand Cherokee	6.1L V8 F/I	33-2233 ♦	HP-2010
Grand Cherokee III	3.0L V6 DSL	33-2420	
Liberty	3.7L V6 F/I	33-2363	HP-2011
Patriot	2.0L L4 F/I	33-2362 ♦	HP-1017
Patriot	2.4L L4 F/I	33-2362 ♦	HP-1017
Wrangler	3.8L V6 F/I	33-2364 ♦	HP-1002
<b>2009 JEEP</b>			
Cherokee	2.8L L4 DSL	33-2363	
Cherokee	3.7L V6 F/I	33-2363	
Commander	3.0L V6 DSL	33-2420	
Commander	3.7L V6 F/I	33-2233 ♦	HP-2011
Commander	4.7L V8 F/I	33-2233 ♦	HP-2010
Commander	5.7L V8 F/I	33-2233 ♦	HP-2010
Compass	2.0L L4 DSL	33-2362	
Compass	2.0L L4 F/I	33-2362 ♦	HP-1017
Compass	2.4L L4 F/I	33-2362 ♦	HP-1017
Grand Cherokee	3.0L V6 DSL	33-2420	
Grand Cherokee	3.7L V6 F/I	33-2233 ♦	HP-2011
Grand Cherokee	4.7L V8 F/I	33-2233 ♦	HP-2010
Grand Cherokee	5.7L V8 F/I	33-2233 ♦	HP-2010
Grand Cherokee	6.1L V8 F/I	33-2233 ♦	HP-2010
Liberty	3.7L V6 F/I	33-2363 ♦	HP-2011
Patriot	2.0L L4 DSL	33-2362	
Patriot	2.0L L4 F/I	33-2362 ♦	HP-1017
Patriot	2.4L L4 F/I	33-2362 ♦	HP-1017

\*Indicates 2 filters required

♦ - Intake kit available

Applications updated daily at [knfilters.com](http://knfilters.com) ®

# AIR & OIL FILTERS

# JEEP

Vehicle	Engine Type	Air Filter	Oil Filter
<b>2009 JEEP</b>			
Wrangler	3.8L V6 F/I	33-2364 ♦	HP-1002
<b>2008 JEEP</b>			
Cherokee	2.8L L4 DSL	33-2363	
Cherokee	3.7L V6 F/I	33-2363	
Commander	3.0L V6 DSL	33-2420	
Commander	3.7L V6 F/I	33-2233 ♦	HP-2009
Commander	4.7L V8 F/I	33-2233 ♦	HP-2010
Commander	5.7L V8 F/I	33-2233 ♦	HP-2010
Compass	2.0L L4 DSL	33-2362	
Compass	2.0L L4 F/I	33-2362 ♦	HP-1017
Compass	2.4L L4 F/I	33-2362 ♦	HP-1017
Grand Cherokee	3.0L V6 DSL	33-2420	
Grand Cherokee	3.7L V6 F/I	33-2233 ♦	HP-2009
Grand Cherokee	4.7L V8 F/I	33-2233 ♦	HP-2010
Grand Cherokee	5.7L V8 F/I	33-2233 ♦	HP-2010
Grand Cherokee	6.1L V8 F/I	33-2233 ♦	
Grand Cherokee	6.1L V8 F/I - 22mm Thread	33-2233	HP-2010
Grand Cherokee	6.1L V8 F/I - 3/4 thread	33-2233	HP-2004
Grand Cherokee III	3.7L V6 F/I	33-2233	HP-2009
Grand Cherokee III	4.7L V8 F/I	33-2233	HP-2010
Grand Cherokee III	5.7L V8 F/I	33-2233	HP-2010
Grand Cherokee III	6.1L V8 F/I	33-2233	
Grand Cherokee III	6.1L V8 F/I - 22mm Thread	33-2233	HP-2010
Grand Cherokee III	6.1L V8 F/I - 3/4 thread	33-2233	HP-2004
Liberty	3.7L V6 F/I	33-2363 ♦	HP-2009
Patriot	2.0L L4 DSL	33-2362	
Patriot	2.0L L4 F/I	33-2362 ♦	HP-1017
Patriot	2.4L L4 F/I	33-2362 ♦	HP-1017
Wrangler	3.8L V6 F/I	33-2364 ♦	HP-1002
Wrangler II	3.8L V6 F/I	33-2364	HP-1002
<b>2007 JEEP</b>			
Commander	3.0L V6 DSL	33-2420	
Commander	3.7L V6 F/I	33-2233 ♦	HP-2009
Commander	4.7L V8 F/I	33-2233 ♦	HP-2004
Commander	5.7L V8 F/I	33-2233 ♦	HP-2004
Compass	2.0L L4 DSL	33-2362	
Compass	2.0L L4 F/I	33-2362 ♦	HP-1017
Compass	2.4L L4 F/I	33-2362 ♦	HP-1017
Grand Cherokee	3.0L V6 DSL	33-2233	
Grand Cherokee	3.7L V6 F/I	33-2233 ♦	HP-2009
Grand Cherokee	4.7L V8 F/I	33-2233 ♦	HP-2004
Grand Cherokee	5.7L V8 F/I	33-2233 ♦	HP-2004
Grand Cherokee	6.1L V8 F/I	33-2233 ♦	HP-2004
Grand Cherokee III	3.0L V6 DSL	33-2233	
Grand Cherokee III	3.7L V6 F/I	33-2233	HP-2009
Grand Cherokee III	4.7L V8 F/I	33-2233	HP-2004
Grand Cherokee III	5.7L V8 F/I	33-2233 ♦	HP-2004
Grand Cherokee III	6.1L V8 F/I	33-2233	HP-2004
Liberty	2.8L L4 DSL	33-2233	
Liberty	3.7L V6 F/I	33-2233 ♦	HP-2009
Patriot	2.0L L4 DSL	33-2362	
Patriot	2.0L L4 F/I	33-2362	HP-1017
Patriot	2.4L L4 F/I	33-2362 ♦	HP-1017
Wrangler	3.8L V6 F/I	33-2364 ♦	HP-1002
Wrangler II	3.8L V6 F/I	33-2364	HP-1002
<b>2006 JEEP</b>			
Commander	3.0L V6 DSL	33-2420	
Commander	3.7L V6 F/I	33-2233 ♦	HP-2009
Commander	4.7L V8 F/I	33-2233 ♦	HP-2004
Commander	5.7L V8 F/I	33-2233 ♦	HP-2004
Grand Cherokee	3.7L V6 F/I	33-2233 ♦	HP-2009

Vehicle	Engine Type	Air Filter	Oil Filter
<b>2006 JEEP</b>			
Grand Cherokee	4.7L V8 F/I	33-2233 ♦	HP-2004
Grand Cherokee	5.7L V8 F/I	33-2233 ♦	HP-2004
Grand Cherokee	6.1L V8 F/I	33-2233 ♦	HP-2004
Grand Cherokee III	3.0L V6 DSL	33-2233	
Grand Cherokee III	3.7L V6 F/I	33-2233	HP-2009
Grand Cherokee III	4.7L V8 F/I	33-2233	HP-2004
Grand Cherokee III	5.7L V8 F/I	33-2233 ♦	HP-2004
Grand Cherokee III	6.1L V8 F/I	33-2233	HP-2004
Liberty	2.8L L4 DSL	33-2233	HP-1012
Liberty	3.7L V6 F/I	33-2233 ♦	HP-2009
TJ	2.4L L4 F/I	33-2261	HP-1002
TJ	4.0L L6 F/I	33-2114 ♦	HP-2004
Wrangler	2.4L L4 F/I	33-2261	HP-1002
Wrangler	4.0L L6 F/I	33-2114 ♦	HP-2004
Wrangler II	2.4L L4 F/I	33-2261	HP-1002
Wrangler II	4.0L L6 F/I	33-2114	HP-2004
<b>2005 JEEP</b>			
Cherokee	2.5L L4 DSL	33-2233	
Grand Cherokee	3.7L V6 F/I	33-2233 ♦	HP-2009
Grand Cherokee	4.7L V8 F/I	33-2233 ♦	HP-2004
Grand Cherokee	5.7L V8 F/I	33-2233 ♦	HP-2004
Grand Cherokee II	2.7L L5 DSL	33-2139	
Grand Cherokee III	3.0L V6 DSL	33-2233	
Grand Cherokee III	3.7L V6 F/I	33-2233	HP-2009
Grand Cherokee III	4.7L V8 F/I	33-2233	HP-2004
Grand Cherokee III	5.7L V8 F/I	33-2233 ♦	HP-2004
Liberty	2.4L L4 F/I	33-2261	HP-1002
Liberty	2.8L L4 DSL	33-2233	HP-1012
Liberty	3.7L V6 F/I	33-2233 ♦	HP-2009
TJ	2.4L L4 F/I	33-2261	HP-1002
TJ	4.0L L6 F/I	33-2114 ♦	HP-2004
Wrangler	2.4L L4 F/I	33-2261	HP-1002
Wrangler	4.0L L6 F/I	33-2114 ♦	HP-2004
Wrangler II	2.4L L4 F/I	33-2261	HP-1002
Wrangler II	4.0L L6 F/I	33-2114	HP-2004
<b>2004 JEEP</b>			
Cherokee	2.4L L4 F/I	33-2261	
Cherokee	2.5L L4 DSL	33-2233	
Cherokee	2.8L L4 DSL - CRD	33-2233	
Cherokee	3.7L V6 F/I	33-2233	
Grand Cherokee	4.0L L6 F/I	33-2139 ♦	HP-2004
Grand Cherokee	4.7L V8 F/I		HP-2004
Grand Cherokee	4.7L V8 F/I - High Output	33-2246 ♦	HP-2004
Grand Cherokee	4.7L V8 F/I - w/o High Output	33-2139 ♦	HP-2004
Grand Cherokee II	2.7L L5 DSL	33-2139	
Grand Cherokee II	4.0L L6 F/I	33-2139 ♦	HP-2004
Grand Cherokee II	4.7L V8 F/I		HP-2004
Grand Cherokee II	4.7L V8 F/I - Exc., High Output	33-2139	HP-2004
Grand Cherokee II	4.7L V8 F/I - High Output	33-2246	HP-2004
Liberty	2.4L L4 F/I	33-2261	HP-1002
Liberty	2.8L L4 DSL	33-2233	
Liberty	3.7L V6 F/I	33-2233 ♦	HP-2009
TJ	2.4L L4 F/I	33-2261	HP-1002
TJ	4.0L L6 F/I	33-2114 ♦	HP-2004
Wrangler	2.4L L4 F/I	33-2261	HP-1002
Wrangler	4.0L L6 F/I	33-2114 ♦	HP-2004
Wrangler II	2.4L L4 F/I	33-2261	HP-1002
Wrangler II	4.0L L6 F/I	33-2114	HP-2004
<b>2003 JEEP</b>			
Cherokee	2.4L L4 F/I	33-2261	

\*Indicates 2 filters required

♦ - Intake kit available

Applications updated daily at [knfilters.com](http://knfilters.com) ®

**Partial Listing - Complete List of Vehicles and Applications at [knfilters.com](http://knfilters.com)**

# JEEP

# AIR & OIL FILTERS

Vehicle	Engine Type	Air Filter	Oil Filter
<b>2003 JEEP</b>			
Cherokee	2.5L L4 DSL	33-2233	
Cherokee	2.8L L4 DSL - CRD	33-2233	
Cherokee	3.7L V6 F/I	33-2233	
Grand Cherokee	4.0L L6 F/I	33-2139 ♦	HP-2004
Grand Cherokee	4.7L V8 F/I		HP-2004
Grand Cherokee	4.7L V8 F/I - High Output	33-2246 ♦	HP-2004
Grand Cherokee	4.7L V8 F/I - w/o High Output	33-2139 ♦	HP-2004
Grand Cherokee II	2.7L L5 DSL	33-2139	
Grand Cherokee II	4.0L L6 F/I	33-2139 ♦	HP-2004
Grand Cherokee II	4.7L V8 F/I		HP-2004
Grand Cherokee II	4.7L V8 F/I - Exc., High Output	33-2139	HP-2004
Grand Cherokee II	4.7L V8 F/I - High Output	33-2246	HP-2004
Liberty	2.4L L4 F/I	33-2261	HP-1002
Liberty	2.5L L4 DSL	33-2233	
Liberty	2.8L L4 DSL	33-2233	
Liberty	3.7L V6 F/I	33-2233 ♦	HP-2009
TJ	2.4L L4 F/I	33-2261	HP-1002
TJ	4.0L L6 F/I	33-2114 ♦	HP-2004
Wrangler	2.4L L4 F/I	33-2261	HP-1002
Wrangler	4.0L L6 F/I	33-2114 ♦	HP-2004
Wrangler II	2.4L L4 F/I	33-2261	HP-1002
Wrangler II	4.0L L6 F/I	33-2114	HP-2004

Vehicle	Engine Type	Air Filter	Oil Filter
<b>2002 JEEP</b>			
Cherokee	2.4L L4 F/I	33-2261	
Cherokee	2.5L L4 DSL	33-2233	
Cherokee	2.8L L4 DSL - CRD	33-2233	
Cherokee	3.7L V6 F/I	33-2233	
Grand Cherokee	4.0L L6 F/I	33-2139 ♦	HP-2004
Grand Cherokee	4.7L V8 F/I		HP-2004
Grand Cherokee	4.7L V8 F/I - High Output	33-2246 ♦	HP-2004
Grand Cherokee	4.7L V8 F/I - w/o High Output	33-2139 ♦	HP-2004
Grand Cherokee II	2.7L L5 DSL	33-2139	
Grand Cherokee II	4.0L L6 F/I	33-2139 ♦	HP-2004
Grand Cherokee II	4.7L V8 F/I		HP-2004
Grand Cherokee II	4.7L V8 F/I - Exc., High Output	33-2139	HP-2004
Grand Cherokee II	4.7L V8 F/I - High Output	33-2246	HP-2004
Liberty	2.4L L4 F/I	33-2261	HP-1002
Liberty	2.5L L4 DSL	33-2233	
Liberty	2.8L L4 DSL	33-2233	
Liberty	3.7L V6 F/I	33-2233 ♦	HP-2009
TJ	2.5L L4 F/I	33-2114	HP-2004
TJ	4.0L L6 F/I	33-2114 ♦	HP-2004
Wrangler	2.5L L4 F/I	33-2114	HP-2004
Wrangler	4.0L L6 F/I	33-2114 ♦	HP-2004
Wrangler II	2.4L L4 F/I	33-2261	HP-1002
Wrangler II	2.5L L4 F/I	33-2114	HP-2004
Wrangler II	4.0L L6 F/I	33-2114	HP-2004

Vehicle	Engine Type	Air Filter	Oil Filter
<b>2001 JEEP</b>			
Cherokee	2.1L L4 DSL	E-2402	
Cherokee	4.0L L6 F/I	33-2122 ♦	HP-2004
Grand Cherokee	4.0L L6 F/I	33-2139 ♦	HP-2004
Grand Cherokee	4.7L V8 F/I	33-2139 ♦	HP-2004
Grand Cherokee II	2.7L L5 DSL	33-2139	
Grand Cherokee II	3.1L V6 DSL	33-2139	HP-7005
Grand Cherokee II	4.0L L6 F/I	33-2139 ♦	HP-2004
Grand Cherokee II	4.7L V8 F/I		HP-2004
Grand Cherokee II	4.7L V8 F/I - Exc., High Output	33-2139	HP-2004

Vehicle	Engine Type	Air Filter	Oil Filter
<b>2001 JEEP</b>			
Grand Cherokee II	4.7L V8 F/I - High Output	33-2246	HP-2004
Liberty	2.5L L4 DSL	33-2233	
Liberty	3.7L V6 F/I	33-2233	
TJ	2.5L L4 F/I	33-2114	HP-2004
TJ	4.0L L6 F/I	33-2114 ♦	HP-2004
Wrangler	2.5L L4 F/I	33-2114	HP-2004
Wrangler	4.0L L6 F/I	33-2114 ♦	HP-2004
Wrangler II	2.5L L4 F/I	33-2114	HP-2004
Wrangler II	4.0L L6 F/I	33-2114	HP-2004

Vehicle	Engine Type	Air Filter	Oil Filter
<b>2000 JEEP</b>			
Cherokee	2.1L L4 DSL	E-2402	
Cherokee	2.5L L4 F/I		HP-2004
Cherokee	2.5L L4 F/I - Non-US	33-2018	HP-2004
Cherokee	2.5L L4 F/I - US	33-2122	HP-2004
Cherokee	4.0L L6 F/I	33-2122 ♦	HP-2004
Grand Cherokee	4.0L L6 F/I	33-2139 ♦	HP-2004
Grand Cherokee	4.7L V8 F/I	33-2139 ♦	HP-2004
Grand Cherokee II	3.1L V6 DSL	33-2139	HP-7005
Grand Cherokee II	4.0L L6 F/I	33-2139 ♦	HP-2004
Grand Cherokee II	4.7L V8 F/I		HP-2004
Grand Cherokee II	4.7L V8 F/I - Exc., High Output	33-2139	HP-2004
Grand Cherokee II	4.7L V8 F/I - High Output	33-2246	HP-2004
TJ	2.5L L4 F/I	33-2114	HP-2004
TJ	4.0L L6 F/I	33-2114 ♦	HP-2004
Wrangler	2.5L L4 F/I	33-2114	HP-2004
Wrangler	4.0L L6 F/I	33-2114 ♦	HP-2004
Wrangler II	2.5L L4 F/I	33-2114	HP-2004
Wrangler II	4.0L L6 F/I	33-2114	HP-2004

Vehicle	Engine Type	Air Filter	Oil Filter
<b>1999 JEEP</b>			
Cherokee	2.1L L4 DSL	E-2402	
Cherokee	2.5L L4 F/I		HP-2004
Cherokee	2.5L L4 F/I - Non-US	33-2018	HP-2004
Cherokee	2.5L L4 F/I - US	33-2122	HP-2004
Cherokee	4.0L L6 F/I	33-2122 ♦	HP-2004
Grand Cherokee	4.0L L6 F/I	33-2139 ♦	HP-2004
Grand Cherokee	4.7L V8 F/I	33-2139 ♦	HP-2004
Grand Cherokee I	2.5L L4 DSL	33-2048	
Grand Cherokee I	4.0L L6 F/I		HP-2004
Grand Cherokee I	4.0L L6 F/I - to 4/99	33-2048	HP-2004
Grand Cherokee I	5.2L V8 F/I	33-2048	
Grand Cherokee I	5.9L V8 F/I	33-2048	
Grand Cherokee II	3.1L V6 DSL	33-2139	HP-7005
Grand Cherokee II	4.0L L6 F/I		HP-2004
Grand Cherokee II	4.0L L6 F/I - from 5/99	33-2139 ♦	HP-2004
Grand Cherokee II	4.7L V8 F/I		HP-2004
Grand Cherokee II	4.7L V8 F/I - Exc., High Output	33-2139	HP-2004
Grand Cherokee II	4.7L V8 F/I - High Output	33-2246	HP-2004
TJ	2.5L L4 F/I	33-2114	HP-2004
TJ	4.0L L6 F/I	33-2114 ♦	HP-2004
Wrangler	2.5L L4 F/I	33-2114	HP-2004
Wrangler	4.0L L6 F/I	33-2114 ♦	HP-2004
Wrangler II	2.5L L4 F/I	33-2114	HP-2004
Wrangler II	4.0L L6 F/I	33-2114	HP-2004

Vehicle	Engine Type	Air Filter	Oil Filter
<b>1998 JEEP</b>			
Cherokee	2.1L L4 DSL	E-2402	
Cherokee	2.5L L4 F/I		HP-2004
Cherokee	2.5L L4 F/I - Non-US	33-2018	HP-2004
Cherokee	2.5L L4 F/I - US	33-2122	HP-2004
Cherokee	4.0L L6 F/I	33-2122 ♦	HP-2004

\*Indicates 2 filters required      ♦ - Intake kit available      Applications updated daily at [knfilters.com](http://knfilters.com) ®

# AIR & OIL FILTERS

# JEEP

Vehicle	Engine Type	Air Filter	Oil Filter	Vehicle	Engine Type	Air Filter	Oil Filter
<b>1998 JEEP</b>				<b>1995 JEEP</b>			
Grand Cherokee	4.0L L6 F/I	33-2048 ♦	HP-2004	Cherokee	2.5L L4 F/I	33-2018	HP-2004
Grand Cherokee	5.2L V8 F/I	33-2048 ♦	HP-2004	Cherokee	4.0L L6 F/I	33-2018 ♦	HP-2004
Grand Cherokee	5.9L V8 F/I	33-2048 ♦	HP-2004	Grand Cherokee	4.0L L6 F/I	33-2048 ♦	HP-2004
Grand Cherokee I	2.5L L4 DSL	33-2048		Grand Cherokee	4.0L V6 F/I	33-2048 ♦	HP-2004
Grand Cherokee I	4.0L L6 F/I	33-2048	HP-2004	Grand Cherokee	5.2L V8 F/I	33-2048 ♦	HP-2004
Grand Cherokee I	5.2L V8 F/I	33-2048	HP-2004	Grand Cherokee I	2.5L L4 DSL	33-2048	
Grand Cherokee I	5.9L V8 F/I	33-2048	HP-2004	Grand Cherokee I	4.0L L6 F/I	33-2048	HP-2004
TJ	2.5L L4 F/I	33-2114	HP-2004	Grand Cherokee I	5.2L V8 F/I	33-2048	HP-2004
TJ	4.0L L6 F/I	33-2114 ♦	HP-2004	Wrangler	2.5L L4 F/I	33-2046	HP-2004
Wrangler	2.5L L4 F/I	33-2114	HP-2004	Wrangler	4.0L L6 F/I	33-2046	HP-2004
Wrangler	4.0L L6 F/I	33-2114 ♦	HP-2004	Wrangler		33-2046 ♦	HP-2004
Wrangler II	2.5L L4 F/I	33-2114	HP-2004	Wrangler I	2.5L L4 F/I	33-2046	HP-2004
Wrangler II	4.0L L6 F/I	33-2114	HP-2004	Wrangler I	4.0L L6 F/I	33-2046	HP-2004
<b>1997 JEEP</b>				<b>1994 JEEP</b>			
Cherokee	2.1L L4 DSL	E-2402		Cherokee	2.1L L4 DSL	E-2402	HP-2007
Cherokee	2.5L L4 F/I		HP-2004	Cherokee	2.5L L4 F/I	33-2018	HP-2004
Cherokee	2.5L L4 F/I - Non-US	33-2018	HP-2004	Cherokee	4.0L L6 F/I	33-2018 ♦	HP-2004
Cherokee	2.5L L4 F/I - US	33-2122	HP-2004	Grand Cherokee	4.0L L6 F/I	33-2048 ♦	HP-2004
Cherokee	4.0L L6 F/I	33-2122 ♦	HP-2004	Grand Cherokee	5.2L V8 F/I	33-2048 ♦	HP-2004
Grand Cherokee	4.0L L6 F/I	33-2048 ♦	HP-2004	Grand Cherokee I	4.0L L6 F/I	33-2048	HP-2004
Grand Cherokee	5.2L V8 F/I	33-2048 ♦	HP-2004	Grand Cherokee I	5.2L V8 F/I	33-2048	HP-2004
Grand Cherokee I	2.5L L4 DSL	33-2048		Wrangler	2.5L L4 F/I	33-2046	HP-2004
Grand Cherokee I	4.0L L6 F/I	33-2048	HP-2004	Wrangler	4.0L L6 F/I	33-2046	HP-2004
Grand Cherokee I	5.2L V8 F/I	33-2048	HP-2004			33-2046 ♦	HP-2004
Grand Cherokee I	5.9L V8 F/I	33-2048		Wrangler I	2.5L L4 F/I	33-2046	HP-2004
TJ	2.5L L4 F/I		HP-2004	Wrangler I	4.0L L6 F/I	33-2046	HP-2004
TJ	2.5L L4 F/I - OEM 4797777	33-2114	HP-2004	<b>1993 JEEP</b>			
TJ	2.5L L4 F/I - OEM 53002184	33-2046	HP-2004	Cherokee	2.1L L4 DSL	E-2402	HP-2007
TJ	4.0L L6 F/I		HP-2004	Cherokee	2.5L L4 F/I	33-2018	
TJ	4.0L L6 F/I - OEM 4797777	33-2114 ♦	HP-2004	Cherokee	2.5L L4 F/I - 3/4 thread	33-2018	HP-2004
TJ	4.0L L6 F/I - OEM 53002184	33-2046 ♦	HP-2004	Cherokee	2.5L L4 F/I - w/20mm Thd.	33-2018	HP-2007
Wrangler	2.5L L4 F/I		HP-2004	Cherokee	4.0L L6 F/I	33-2018 ♦	HP-2004
Wrangler	2.5L L4 F/I - OEM 4797777	33-2114	HP-2004	Grand Cherokee	4.0L L6 F/I	33-2048 ♦	HP-2004
Wrangler	2.5L L4 F/I - OEM 53002184	33-2046	HP-2004	Grand Cherokee	5.2L V8 F/I	33-2048 ♦	HP-2004
Wrangler	4.0L L6 F/I		HP-2004	Grand Cherokee I	4.0L L6 F/I	33-2048	HP-2004
Wrangler	4.0L L6 F/I - OEM 4797777	33-2114 ♦	HP-2004	Grand Cherokee I	5.2L V8 F/I	33-2048	HP-2004
Wrangler	4.0L L6 F/I - OEM 53002184	33-2046 ♦	HP-2004	Wrangler	2.5L L4 F/I	33-2046	
Wrangler II	2.5L L4 F/I	33-2114	HP-2004	Wrangler	2.5L L4 F/I - 3/4 thread	33-2046	HP-2004
Wrangler II	4.0L L6 F/I	33-2114	HP-2004	Wrangler	2.5L L4 F/I - w/20mm Thd.	33-2046	HP-2007
<b>1996 JEEP</b>				Wrangler	4.0L L6 F/I	33-2046	HP-2004
Cherokee	2.1L L4 DSL	E-2402		Wrangler		33-2046 ♦	HP-2004
Cherokee	2.5L L4 F/I		HP-2004	Wrangler I	2.5L L4 F/I	33-2046	
Cherokee	2.5L L4 F/I - Non-US	33-2018	HP-2004	Wrangler I	2.5L L4 F/I - 3/4 thread	33-2046	HP-2004
Cherokee	2.5L L4 F/I - US	33-2122	HP-2004	Wrangler I	2.5L L4 F/I - w/20mm Thd.	33-2046	HP-2007
Cherokee	4.0L L6 F/I	33-2122 ♦	HP-2004	Wrangler I	4.0L L6 F/I	33-2046	HP-2004
Grand Cherokee	4.0L L6 F/I	33-2048 ♦	HP-2004	<b>1992 JEEP</b>			
Grand Cherokee	5.2L V8 F/I	33-2048 ♦	HP-2004	Cherokee	2.1L L4 DSL	E-2402	
Grand Cherokee I	2.5L L4 DSL	33-2048		Cherokee	2.5L L4 F/I	33-2018	HP-2004
Grand Cherokee I	4.0L L6 F/I	33-2048	HP-2004	Cherokee	4.0L L6 F/I	33-2018 ♦	HP-2004
Grand Cherokee I	5.2L V8 F/I	33-2048	HP-2004	Comanche	2.5L L4 F/I	33-2018	HP-2004
Wrangler I	2.5L L4 F/I		HP-2004	Comanche	4.0L L6 F/I	33-2018	HP-2004
Wrangler I	2.5L L4 F/I - to 8/96	33-2046	HP-2004	Grand Cherokee I	4.0L L6 F/I	33-2048	
Wrangler I	4.0L L6 F/I	33-2046	HP-2004	Grand Cherokee I	5.2L V8 F/I	33-2048	HP-2004
Wrangler II	2.5L L4 F/I		HP-2004	Wrangler	2.5L L4 F/I	33-2046	HP-2004
Wrangler II	2.5L L4 F/I - from 9/96	33-2114	HP-2004	Wrangler	4.0L L6 F/I	33-2046 ♦	HP-2004
Wrangler II	4.0L L6 F/I	33-2114	HP-2004	Wrangler I	2.5L L4 F/I	33-2046	HP-2004
<b>1995 JEEP</b>				Wrangler I	4.0L L6 F/I	33-2046	HP-2004
Cherokee	2.1L L4 DSL	E-2402	HP-2007	<b>1991 JEEP</b>			
				Cherokee	2.1L L4 DSL	E-2402	
				Cherokee	2.5L L4 F/I	33-2018	HP-2004

\*Indicates 2 filters required      ♦ - Intake kit available      Applications updated daily at [knfilters.com](http://knfilters.com) ®

**Partial Listing - Complete List of Vehicles and Applications at [knfilters.com](http://knfilters.com)**

# JEEP

# AIR & OIL FILTERS

Vehicle	Engine Type	Air Filter	Oil Filter	Vehicle	Engine Type	Air Filter	Oil Filter
<b>1991 JEEP</b>				<b>1987 JEEP</b>			
Cherokee	4.0L L6 F/I	33-2018 ♦	HP-2004	Wagoneer	2.5L L4 F/I	33-2018	HP-2007
Comanche	2.5L L4 F/I	33-2018	HP-2004	Wagoneer	4.0L L6 F/I	33-2018	HP-2007
Comanche	4.0L L6 F/I	33-2018	HP-2004	Wrangler	2.5L L4 F/I	33-2046	HP-2007
Grand Cherokee I	4.0L L6 F/I	33-2048		Wrangler	4.2L L6 CARB	E-1080	HP-2007
Grand Wagoneer	5.9L V8 CARB	E-1100	HP-2004	Wrangler I	2.5L L4 F/I	33-2046	HP-2007
Wrangler	2.5L L4 F/I	33-2046	HP-2004	Wrangler I	4.2L L6 CARB	E-1080	HP-2007
Wrangler	4.0L L6 F/I	33-2046 ♦	HP-2004	Wrangler I	4.2L L6 F/I	33-2046	
Wrangler I	2.5L L4 F/I	33-2046	HP-2004	<b>1986 JEEP</b>			
Wrangler I	4.0L L6 F/I	33-2046	HP-2004	Cherokee	2.1L L4 DSL	E-2402	HP-2007
<b>1990 JEEP</b>				Cherokee	2.5L L4 F/I	33-2046	HP-1001
Cherokee	2.1L L4 DSL	E-2402		Cherokee	2.8L V6 CARB	E-1080	HP-1001
Cherokee	2.5L L4 F/I	33-2018	HP-2007	CJ5	2.5L L4 CARB	E-1080	
Cherokee	4.0L L6 F/I	33-2018	HP-2007	CJ7	2.5L L4 CARB	E-1080	HP-1001
Comanche	2.5L L4 F/I	33-2018	HP-2007	CJ7	4.2L L6 CARB	E-1080	HP-1007
Comanche	4.0L L6 F/I	33-2018	HP-2007	Comanche	2.5L L4 F/I	33-2046	HP-1001
Grand Wagoneer	5.9L V8 CARB	E-1100	HP-2007	Comanche	2.8L V6 CARB	E-1080	HP-1001
Wagoneer	4.0L L6 F/I	33-2018	HP-2007	Grand Wagoneer	4.2L L6 CARB	E-1080	HP-1007
Wrangler	2.5L L4 F/I	33-2046	HP-2007	Grand Wagoneer	5.9L V8 CARB	E-1100	HP-1007
Wrangler	4.2L L6 CARB	E-1080	HP-2007	Wagoneer	2.8L V6 CARB	E-1080	HP-1001
Wrangler I	2.5L L4 F/I	33-2046	HP-2007	Wrangler I	4.2L L6 CARB	E-1080	HP-2007
Wrangler I	4.2L L6 CARB	E-1080	HP-2007	Wrangler I	4.2L L6 F/I	33-2046	
Wrangler I	4.2L L6 F/I	33-2046		<b>1985 JEEP</b>			
<b>1989 JEEP</b>				Cherokee	2.1L L4 DSL	E-2402	HP-2007
Cherokee	2.1L L4 DSL	E-2402		Cherokee	2.5L L4 CARB	E-1200	HP-1001
Cherokee	2.5L L4 F/I	33-2018	HP-2007	Cherokee	2.8L V6 CARB	E-1080	HP-1001
Cherokee	4.0L L6 F/I	33-2018	HP-2007	CJ5	2.5L L4 CARB	E-1080	
Comanche	2.5L L4 F/I	33-2018	HP-2007	CJ7	2.5L L4 CARB	E-1080	HP-1001
Comanche	4.0L L6 F/I	33-2018	HP-2007	CJ7	4.2L L6 CARB	E-1080	HP-1007
Grand Wagoneer	5.9L V8 CARB	E-1100	HP-2007	Comanche	2.5L	E-1080	
Wagoneer	4.0L L6 F/I	33-2018	HP-2007			E-1200	
Wrangler	2.5L L4 F/I	33-2046	HP-2007	Grand Wagoneer	4.2L L6 CARB	E-1080	HP-1007
Wrangler	4.2L L6 CARB	E-1080	HP-2007	Grand Wagoneer	5.9L V8 CARB	E-1100	HP-1007
Wrangler I	2.5L L4 F/I	33-2046	HP-2007	Scrambler	4.2L L6 CARB		HP-1007
Wrangler I	4.2L L6 CARB	E-1080	HP-2007	Wagoneer	2.8L V6 CARB	E-1080	HP-1001
Wrangler I	4.2L L6 F/I	33-2046		<b>1984 JEEP</b>			
<b>1988 JEEP</b>				Cherokee	2.5L L4 CARB	E-1200	HP-1001
Cherokee	2.1L L4 DSL	E-2402		Cherokee	2.8L V6 CARB	E-1080	HP-1001
Cherokee	2.5L L4 F/I	33-2018	HP-2007	CJ7	2.5L L4 CARB	E-1080	HP-1001
Cherokee	4.0L L6 F/I	33-2018	HP-2007	CJ7	4.2L L6 CARB	E-1080	HP-1007
Comanche	2.5L L4 F/I	33-2018	HP-2007	Grand Wagoneer	4.2L L6 CARB	E-1080	HP-1007
Comanche	4.0L L6 F/I	33-2018	HP-2007	Grand Wagoneer	5.9L V8 CARB	E-1100	HP-1007
Grand Wagoneer	5.9L V8 CARB	E-1100	HP-2007	Wagoneer	2.8L V6 CARB	E-1080	HP-1001
J10	5.9L V8 CARB		HP-2007	<b>1983 JEEP</b>			
Sportswagen	2.1L L4 DSL	E-2402		Cherokee	4.2L L6 CARB	E-1080	HP-1007
Wagoneer	4.0L L6 F/I	33-2018	HP-2007	Cherokee	5.9L V8 CARB	E-1100	HP-2003
Wrangler	2.5L L4 F/I	33-2046	HP-2007	CJ5	4.2L L6 CARB	E-1080	HP-1007
Wrangler	4.2L L6 CARB	E-1080	HP-2007	CJ7	2.5L L4 CARB	E-1080	HP-1001
Wrangler I	2.5L L4 F/I	33-2046	HP-2007	CJ7	4.2L L6 CARB	E-1080	HP-1007
Wrangler I	4.2L L6 CARB	E-1080	HP-2007	Scrambler	4.2L L6 CARB		HP-1007
Wrangler I	4.2L L6 F/I	33-2046		Wagoneer	4.2L L6 CARB	E-1080	HP-1007
<b>1987 JEEP</b>				Wagoneer	5.9L V8 CARB	E-1100	HP-2003
Cherokee	2.5L L4 F/I	33-2018	HP-2007	<b>1982 JEEP</b>			
Cherokee	4.0L L6 F/I	33-2018	HP-2007	Cherokee	5.9L V8 CARB	E-1100	HP-2003
CJ5	2.5L L4 CARB	E-1080		CJ5	2.5L L4 CARB	E-1080	HP-1001
CJ7	2.5L L4 CARB	E-1080	HP-1001	CJ5	4.2L L6 CARB	E-1080	HP-2003
CJ7	4.2L L6 CARB	E-1080		CJ7	2.5L L4 CARB	E-1080	HP-1001
CJ8	4.2L L6 CARB	E-1080		CJ7	4.2L L6 CARB	E-1080	HP-2003
Comanche	2.1L L4 DSL	E-2402	HP-2007	CJ8	4.2L L6 CARB	E-1080	
Comanche	2.5L L4 F/I		HP-2007	Scrambler	4.2L L6 CARB		HP-2003
Comanche	2.8L F/I	33-2018		Wagoneer	5.9L V8 CARB	E-1100	HP-2003
Comanche	4.0L L6 F/I	33-2018	HP-2007				
Grand Wagoneer	5.9L V8 CARB	E-1100	HP-2007				

\*Indicates 2 filters required

♦ - Intake kit available

Applications updated daily at [knfilters.com](http://knfilters.com) ®

# AIR & OIL FILTERS

# JEEP

Vehicle	Engine Type	Air Filter	Oil Filter	Vehicle	Engine Type	Air Filter	Oil Filter
<b>1981 JEEP</b>				<b>1976 JEEP</b>			
Cherokee	4.2L L6 CARB	E-1080	HP-1007	CJ7	258 L6 CARB	E-1080	HP-2003
Cherokee	5.9L V8 CARB	E-1100	HP-2003	CJ7	304 V8 CARB	E-1100	HP-2003
CJ5	2.5L L4 CARB	E-1080	HP-1001	Wagoneer	360 V8 CARB	E-1100	HP-2003
CJ5	4.2L L6 CARB	E-1080	HP-2003	Wagoneer	401 V8 CARB	E-1100	HP-2003
CJ5	5.0L V8 CARB	E-1080	HP-2003	<b>1975 JEEP</b>			
CJ7	2.5L L4 CARB	E-1080	HP-1001	Cherokee	401 V8 CARB	E-1100	HP-2003
CJ7	4.2L L6 CARB	E-1080	HP-2003	CJ5	232 L6 CARB	E-1080	HP-2003
CJ7	5.0L V8 CARB	E-1080	HP-2003	CJ5	258 L6 CARB	E-1080	HP-2003
CJ8	4.2L L6 CARB	E-1080		CJ5	304 V8 CARB	E-1100	HP-2003
Scrambler	2.5L L4 CARB	E-1080	HP-1001	Wagoneer	360 V8 CARB	E-1100	HP-2003
Scrambler	4.2L L6 CARB		HP-2003	<b>1974 JEEP</b>			
Wagoneer	4.2L L6 CARB	E-1080	HP-1007	CJ5	232 L6 CARB	E-1080	HP-2003
Wagoneer	5.9L V8 CARB	E-1100	HP-2003	CJ5	258 L6 CARB	E-1080	HP-2003
<b>1980 JEEP</b>				CJ5	304 V8 CARB	E-1100	HP-2003
Cherokee	360 V8 CARB	E-1100	HP-2003	Wagoneer	360 V8 CARB	E-1100	HP-2003
CJ5	2.5L L4 CARB	E-1080	HP-1001	<b>1973 JEEP</b>			
CJ5	4.2L L6 CARB	E-1080	HP-2003	CJ5	232 L6 CARB	E-1080	HP-2003
CJ5	5.0L V8 CARB	E-1100	HP-2003	CJ5	258 L6 CARB	E-1080	HP-2003
CJ7	151 L4 CARB	E-1080	HP-1001	CJ5	304 V8 CARB	E-1100	HP-2003
CJ7	258 L6 CARB	E-1080	HP-2003	Wagoneer	360 V8 CARB	E-1100	HP-2003
CJ7	5.0L V8 CARB	E-1100	HP-2003	<b>1972 JEEP</b>			
Wagoneer	258 L6 CARB	E-1080	HP-2003	CJ5	232 L6 CARB	E-1080	HP-2003
Wagoneer	360 V8 CARB	E-1100	HP-2003	CJ5	304 V8 CARB	E-1100	HP-2003
<b>1979 JEEP</b>				Jeepster	304 V8 CARB		HP-2003
Cherokee	258 L6 CARB	E-1080	HP-2003	<b>1971 JEEP</b>			
Cherokee	360 V8 CARB	E-1100	HP-2003	CJ5	225 V6 CARB		HP-2003
CJ5	258 L6 CARB	E-1080	HP-2003	Jeepster	225 V6 CARB		HP-2003
CJ5	304 V8 CARB	E-1100	HP-2003	<b>1970 JEEP</b>			
CJ7	258 L6 CARB	E-1080	HP-2003	CJ5	225 V6 CARB		HP-2003
CJ7	304 V8 CARB	E-1100	HP-2003	Jeepster	225 V6 CARB		HP-2003
Wagoneer	360 V8 CARB	E-1100	HP-2003	Wagoneer	350 V8 CARB	E-1100	HP-2003
<b>1978 JEEP</b>				<b>1969 JEEP</b>			
Cherokee	360 V8 2 BBL.	E-1100	HP-2003	CJ5	225 V6 CARB		HP-2003
Cherokee	360 V8 4 BBL.	E-1100	HP-2003	Jeepster	225 V6 CARB		HP-2003
Cherokee	401 V8 CARB	E-1100	HP-2003	<b>1968 JEEP</b>			
CJ5	232 L6 CARB	E-1080	HP-2003	CJ5	225 V6 CARB		HP-2003
CJ5	258 L6 CARB	E-1080	HP-2003	Jeepster	225 V6 CARB		HP-2003
CJ5	304 V8 CARB	E-1100	HP-2003	<b>1967 JEEP</b>			
CJ7	232 L6 CARB	E-1080	HP-2003	CJ5	225 V6 CARB		HP-2003
CJ7	258 L6 CARB	E-1080	HP-2003	Jeepster	225 V6 CARB		HP-2003
CJ7	304 V8 CARB	E-1100	HP-2003	<b>1974 JENSEN</b>			
Wagoneer	360 V8 CARB	E-1100	HP-2003	Healey	2.0L L4 CARB	E-2240	
Wagoneer	401 V8 CARB	E-1100	HP-2003	<b>1973 JENSEN</b>			
<b>1977 JEEP</b>				Healey	2.0L L4 CARB	E-2240	
Cherokee	258 L6 CARB	E-1080	HP-2003	<b>2005 JOHN DEERE</b>			
Cherokee	360 V8 CARB	E-1100	HP-2003	Buck	500	BD-6502	KN-557
Cherokee	401 V8 CARB	E-1100	HP-2003	Buck EX	500	BD-6502	KN-557
CJ5	232 L6 CARB	E-1080	HP-2003	Buck EXT	500	BD-6502	KN-557
CJ5	258 L6 CARB	E-1080	HP-2003	Trail Buck 500	495	BD-6502	KN-557
CJ5	304 V8 CARB	E-1100	HP-2003	Trail Buck 650	650	BD-6502	KN-556
CJ7	232 L6 CARB	E-1080	HP-2003	Trail Buck 650 EX	650	BD-6502	KN-556
CJ7	258 L6 CARB	E-1080	HP-2003	Trail Buck 650 EXT	650	BD-6502	KN-556
CJ7	304 V8 CARB	E-1100	HP-2003	<b>2011 KAWASAKI</b>			
Wagoneer	360 V8 CARB	E-1100	HP-2003	EX250R Ninja	250	KA-2508	KN-401
Wagoneer	401 V8 CARB	E-1100	HP-2003	EX650R Ninja	650		KN-303
<b>1976 JEEP</b>				KAF400 Mule 600	400	KA-4093	KN-303C
Cherokee	360 V8 CARB	E-1100	HP-2003				
CJ5	232 L6 CARB	E-1080	HP-2003				
CJ5	258 L6 CARB	E-1080	HP-2003				
CJ5	304 V8 CARB		HP-2003				
CJ7	232 L6 CARB	E-1080	HP-2003				

\*Indicates 2 filters required      ♦ - Intake kit available      Applications updated daily at [knfilters.com](http://knfilters.com) ®

**Partial Listing - Complete List of Vehicles and Applications at [knfilters.com](http://knfilters.com)**

# KAWASAKI

# AIR & OIL FILTERS

Vehicle	Engine Type	Air Filter	Oil Filter	Vehicle	Engine Type	Air Filter	Oil Filter
<b>2011 KAWASAKI</b>				<b>2011 KAWASAKI</b>			
KAF400 Mule 610 4x4	400	KA-4093		VN1700 Vulcan Classic	1700	KA-1709	
KAF620 Mule 4010 4x4	620	KA-6201		VN1700 Vulcan Nomad	1700	KA-1709	
KAF620 Mule 4010 Trans4x4	620	KA-6201		VN1700 Vulcan Vaquero	1700	KA-1709	
KAF950 Mule 4010 Diesel 4x4	950	KA-6201		VN1700 Vulcan Voyager	1700	KA-1709	
KAF950 Mule 4010 Trans4x4 Diesel	950	KA-6201		Z750	750	KA-1003	
KFX450R	450	KA-4508	KN-112	Z750R	750	KA-1003	
KFX700	700	KA-6503		Z1000	1000	KA-1010	KN-303
KLE650 Versys	650		KN-303	ZG1400 Concours	1400	KA-1010	KN-303C
			KN-303C			KA-1406	KN-303
KLF250 Bayou	250	KA-2288	KN-123	ZX6R Ninja	600	KA-1406	KN-303C
KLR650	650	KA-6589	KN-123			KA-6009	KN-303
KLX110	110	KA-1102	KN-112	ZX6R Ninja	600 - Race Specific	KA-6009R	KN-303C
KLX125	125	KA-1408		ZX14R Ninja	1400	KA-1406	KN-303
KLX125 D-Tracker	125	KA-1408				KA-1406	KN-303C
KLX140	140	KA-1408	KN-112	ZZR1400	1400	KA-1406	
KLX140L	140	KA-1408	KN-112	<b>2010 KAWASAKI</b>			
KLX450R	450	KA-4408		125 D-Tracker	125		KN-112
KRF750 Teryx FI 4x4	750	KA-7508	KN-204	1400GTR	1400	KA-1406	KN-303
		KA-7508	KN-204C			KA-1406	KN-303C
KRF750 Teryx FI 4x4 LE	750	KA-7508	KN-204	ER6n	650		KN-303
		KA-7508	KN-204C				KN-303C
KRF750 Teryx FI 4x4 LE Camo	750	KA-7508	KN-204	EX250R Ninja	250	KA-2508	KN-401
		KA-7508	KN-204C	EX650R Ninja	650		KN-303
							KN-303C
KRF750 Teryx FI 4x4 Sport	750	KA-7508	KN-204	KAF400 Mule 600	400	KA-4093	
		KA-7508	KN-204C	KAF400 Mule 610 4x4	400	KA-4093	
				KAF620 Mule 4000	620	KA-6201	
KVF360 Prairie 4x4	360	KA-3603	KN-204	KAF620 Mule 4010 4x4	620	KA-6201	
		KA-3603	KN-204C	KAF620 Mule 4010 4x4 Hardwoods Green HD	620	KA-6201	
KVF360 Prairie 4x4 Hardwoods Green HD	360	KA-3603	KN-204	KAF620 Mule 4010 Trans4x4	620	KA-6201	
		KA-3603	KN-204C	KAF620 Mule 4010 Trans4x4 Hardwoods Green HD	620	KA-6201	
KVF650 Brute Force 4x4	650	KA-6503	KN-204	KAF950 Mule 4010 Diesel 4x4	950	KA-6201	
		KA-6503	KN-204C	KAF950 Mule 4010 Trans4x4 Diesel	950	KA-6201	
KVF650 Brute Force 4x4i	650	KA-7504	KN-204	KFX450R	450	KA-4508	KN-112
		KA-7504	KN-204C	KFX450R Monster Energy	450	KA-4508	KN-112
KVF750 Brute Force 4x4i	750	KA-7408		KFX700	700	KA-6503	
KX65	65	KA-8088		KLE650 Versys	650		KN-303
KX85	85	KA-8088					KN-303C
KX100	100	KA-8088		KLF250 Bayou	250	KA-2288	KN-123
KX250F	250	KA-2506XD	KN-207	KLR650	650	KA-6589	KN-123
KX450F	450	KA-2506XD	KN-112	KLX110	110	KA-1102	KN-112
VN900 Vulcan Classic	900	KA-9006	KN-303	KLX125	125	KA-1408	KN-112
		KA-9006	KN-303C	KLX125 D-Tracker	125	KA-1408	
				KLX140	140	KA-1408	KN-112
VN900 Vulcan Classic LT	900	KA-9006	KN-303	KLX250S	250		KN-112
		KA-9006	KN-303C	KLX250SF	250		KN-112
				KLX450R	450	KA-4408	KN-112
VN900 Vulcan Custom	900	KA-9006	KN-303	KRF750 Teryx FI 4x4	750	KA-7508	KN-204
		KA-9006	KN-303C			KA-7508	KN-204C
				KRF750 Teryx FI 4x4 LE	750	KA-7508	KN-204

\*Indicates 2 filters required

◆ - Intake kit available

Applications updated daily at [knfilters.com](http://knfilters.com) ®



# AIR & OIL FILTERS

# KAWASAKI

Vehicle	Engine Type	Air Filter	Oil Filter	Vehicle	Engine Type	Air Filter	Oil Filter
<b>2010 KAWASAKI</b>				<b>2010 KAWASAKI</b>			
KRF750 Teryx FI 4x4 LE	750	KA-7508	KN-204C	ZG1400 Concours	1400	KA-1406	KN-303C
KRF750 Teryx FI 4x4 Sport	750	KA-7508	KN-204	ZX6R Ninja	600	KA-6009	KN-303
		KA-7508	KN-204C	ZX6R Ninja	600 - Race Specific	KA-6009R	KN-303C
KVF360 Prairie 4x4	360	KA-3603	KN-204	ZX6R Ninja Monster Energy	600	KA-6009	KN-303
		KA-3603	KN-204C	ZX6R Ninja Monster Energy	600 - Race Specific	KA-6009R	KN-303C
KVF360 Prairie 4x4 Hardwoods Green HD	360	KA-3603	KN-204	ZX10R Ninja	1000	KA-1008	KN-303
		KA-3603	KN-204C	ZX10R Ninja	1000 - Race Specific	KA-1008R	KN-303C
KVF650 Brute Force 4x4	650	KA-6503	KN-204	ZX14R Ninja	1400	KA-1406	KN-303
		KA-6503	KN-204C	ZZR1400	1400	KA-1406	KN-303C
KVF750 Brute Force 4x4i	750	KA-7408	KN-204			KA-1406	KN-303C
		KA-7408	KN-204C	<b>2009 KAWASAKI</b>			
KVF750 Brute Force 4x4i Camo.	750	KA-7408	KN-204	1400GTR	1400	KA-1406	KN-303
		KA-7408	KN-204C			KA-1406	KN-303C
KVF750 Brute Force 4x4i NRA Outdoors	750	KA-7408	KN-204	BN125 Eliminator	125		KN-112
		KA-7408	KN-204C	EN500 Vulcan LTD	500	KA-5096	KN-303
KX85	85	KA-8088		ER6f	650		KN-303
KX250F	250	KA-2506XD	KN-207	ER6n	650		KN-303C
KX450F	450	KA-2506XD	KN-112	EX250R Ninja	250	KA-2508	KN-401
VN900 Vulcan Classic	900	KA-9006	KN-303	EX500R Ninja	500	KA-5087	KN-303
		KA-9006	KN-303C	EX650R Ninja	650	KA-5087	KN-303C
VN900 Vulcan Classic LT	900	KA-9006	KN-303	JT1500 STX-15F	1493		KN-303C
		KA-9006	KN-303C	JT1500 STX-15F	1493 - Option		KN-204
VN900 Vulcan Custom	900	KA-9006	KN-303	JT1500 Ultra 260 LX	1500		KN-204C
		KA-9006	KN-303C	JT1500 Ultra 260 X	1500		KN-204
VN1700 Vulcan Classic	1700	KA-1709	KN-303	JT1500 Ultra LX	1500		KN-204C
		KA-1709	KN-303C	JT1500 Ultra LX	1500 - Option		KN-204
VN1700 Vulcan Classic LT	1700	KA-1709	KN-303	JT1500 STX	1500		KN-303C
		KA-1709	KN-303C	JT1500 STX	1500 - Option		KN-204
VN1700 Vulcan Nomad	1700	KA-1709	KN-303	KAF400 Mule 600 4x4	400	KA-4093	KN-128
		KA-1709	KN-303C	KAF400 Mule 610 4x4 Hardwoods Green HD	400	KA-4093	KN-128
VN1700 Vulcan Voyager	1700	KA-1709	KN-303	KAF620 Mule 4000 4x4	620	KA-6201	KN-128
		KA-1709	KN-303C	KAF620 Mule 4010 4x4 Hardwoods Green HD	620	KA-6201	KN-128
VN2000 Vulcan Classic	2000	KA-2008		KAF620 Mule 4010 4x4 Hardwoods Green HD	620	KA-6201	KN-128
VN2000 Vulcan Classic LT	2000		KN-303	KAF620 Mule 4010 Trans4x4	620	KA-6201	KN-128
			KN-303C	KAF620 Mule 4010 Trans4x4 Hardwoods Green HD	620	KA-6201	KN-128
Vulcan 900	900	KA-9006		KAF950 Mule 4010 Diesel 4x4	950	KA-6201	KN-128
Z750	750	KA-1003	KN-303				
		KA-1003	KN-303C				
Z1000	1000	KA-1010	KN-303				
		KA-1010	KN-303C				
ZG1400 Concours	1400	KA-1406	KN-303				

\*Indicates 2 filters required    ♦ - Intake kit available    Applications updated daily at [knfilters.com](http://knfilters.com) ®

**Partial Listing - Complete List of Vehicles and Applications at [knfilters.com](http://knfilters.com)**

# KAWASAKI

# AIR & OIL FILTERS

Vehicle	Engine Type	Air Filter	Oil Filter	Vehicle	Engine Type	Air Filter	Oil Filter
<b>2009 KAWASAKI</b>				<b>2009 KAWASAKI</b>			
KAF950 Mule 4010 Trans4x4 Diesel	950	KA-6201		KVF750 Brute Force 4x4i NRA Outdoors	750	KA-7408	KN-204C
KFX450R	450	KA-4508	KN-112	KX65	65	KA-8088	
KFX450R Monster Energy	450		KN-112	KX85	85	KA-8088	
KFX700	700	KA-6503	KN-204	KX100	100	KA-8088	
		KA-6503	KN-204C	KX250F	250	KA-2506XD	KN-207
KL250 Super Sherpa	250		KN-112	KX450F	450	KA-2506XD	KN-112
KLE650 Versys	650		KN-303	VN900 Vulcan Classic	900	KA-9006	KN-303
			KN-303C			KA-9006	KN-303C
KLF250 Bayou	228	KA-2288	KN-123	VN900 Vulcan Classic LT	900	KA-9006	KN-303
KLR650	650	KA-6589	KN-123			KA-9006	KN-303C
KLX110	110	KA-1102	KN-112			KA-9006	KN-303C
KLX140	140	KA-1408	KN-112	VN900 Vulcan Custom	900	KA-9006	KN-303
KLX140L	140	KA-1408	KN-112			KA-9006	KN-303C
KLX250 D-Tracker X	250		KN-112	VN1700 Vulcan Classic	1700	KA-1709	KN-303
KLX250S	250		KN-112			KA-1709	KN-303C
KLX250SF	250		KN-112	VN1700 Vulcan Classic LT	1700	KA-1709	KN-303
KLX450R	450	KA-4408	KN-112			KA-1709	KN-303C
KRF750 Teryx FI 4x4	750	KA-7508	KN-204	VN1700 Vulcan Classic LT	1700	KA-1709	KN-303
		KA-7508	KN-204C			KA-1709	KN-303C
KRF750 Teryx FI 4x4 LE	750	KA-7508	KN-204	VN1700 Vulcan Classic LT	1700	KA-1709	KN-303
		KA-7508	KN-204C			KA-1709	KN-303C
KRF750 Teryx FI 4x4 LE Camo	750	KA-7508	KN-204	VN1700 Vulcan Nomad	1700	KA-1709	KN-303
		KA-7508	KN-204C			KA-1709	KN-303C
KRF750 Teryx FI 4x4 NRA Outdoors	750	KA-7508	KN-204	VN1700 Vulcan Voyager	1700	KA-1709	KN-303
		KA-7508	KN-204C			KA-1709	KN-303C
KRF750 Teryx FI 4x4 Sport	750	KA-7508	KN-204	VN2000 Vulcan Classic	2000	KA-2008	KN-303
		KA-7508	KN-204C			KA-2008	KN-303C
KVF360 Prairie 4x4	360	KA-3603	KN-204	VN2000 Vulcan Classic	2000	KA-2008	KN-303
		KA-3603	KN-204C			KA-2008	KN-303C
KVF360 Prairie 4x4 Hardwoods Green HD	360	KA-3603	KN-204	VN2000 Vulcan Classic LT	2000	KA-2008	KN-303
		KA-3603	KN-204C			KA-2008	KN-303C
KVF650 Brute Force 4x4	650	KA-6503	KN-204	Vulcan 900 Z750	900 750	KA-9006 KA-1003	KN-303 KN-303C
		KA-6503	KN-204C	Z750S	750	KA-1003	KN-303C
KVF650 Brute Force 4x4 Camo	650	KA-6503	KN-204	Z1000	1000	KA-1003	KN-303
		KA-6503	KN-204C	ZG1400 Concours	1400	KA-1003	KN-303C
KVF650 Brute Force 4x4i	650	KA-7504	KN-204	ZR1000 ABS	1000	KA-1406	KN-303
		KA-7504	KN-204C			KA-1406	KN-303C
KVF650 Brute Force 4x4i Camo	650	KA-7504	KN-204	ZRX1200 Daeg	1200	KA-1199	KN-401
		KA-7504	KN-204C	ZX6R Ninja	600	KA-6009	KN-303
KVF750 Brute Force 4x4i	750	KA-7408	KN-204	ZX6R Ninja Energy	600 - Race Specific 600	KA-6009R KA-6009	KN-303 KN-303C
		KA-7408	KN-204C	ZX6R Ninja Energy	600 - Race Specific	KA-6009R	
KVF750 Brute Force 4x4i Camo.	750	KA-7408	KN-204	ZX10R Ninja	1000	KA-1008	KN-303
		KA-7408	KN-204C			KA-1008	KN-303C
KVF750 Brute Force 4x4i NRA Outdoors	750	KA-7408	KN-204	ZX10R Ninja ZX14R Ninja	1000 - Race Specific 1400	KA-1008R KA-1406	KN-303 KN-303
						KA-1406	KN-303C

\*Indicates 2 filters required

◆ - Intake kit available

Applications updated daily at [knfilters.com](http://knfilters.com) ®

# AIR & OIL FILTERS

# KAWASAKI

Vehicle	Engine Type	Air Filter	Oil Filter	Vehicle	Engine Type	Air Filter	Oil Filter
<b>2009 KAWASAKI</b>				<b>2008 KAWASAKI</b>			
ZZR1400	1400	KA-1406	KN-303	KRF750 Teryx 4x4 LE	750	KA-7508	KN-204
		KA-1406	KN-303C			KA-7508	KN-204C
<b>2008 KAWASAKI</b>				KRF750 Teryx 4x4 NRA Outdoors	750	KA-7508	KN-204
1400GTR	1400	KA-1406	KN-303			KA-7508	KN-204C
		KA-1406	KN-303C				
BJ250 Estrella	250		KN-123	KSR110	110	KA-1102	KN-112
BJ250 TR	250		KN-123	KVF360 Prairie 2x4	360	KA-3603	KN-204
BN125 Eliminator	125		KN-112			KA-3603	KN-204C
EN500 Vulcan LTD	500	KA-5096	KN-303	KVF360 Prairie 4x4	360	KA-3603	KN-204
		KA-5096	KN-303C			KA-3603	KN-204C
ER6f	650		KN-303	KVF360 Prairie 4x4 Hardwoods Green HD	360	KA-3603	KN-204
			KN-303C				
ER6n	650		KN-303			KA-3603	KN-204C
			KN-303C				
EX250R Ninja	250	KA-2508	KN-401	KVF650 Brute Force 4x4	650	KA-6503	KN-204
EX500R Ninja	500	KA-5087	KN-303			KA-6503	KN-204C
		KA-5087	KN-303C				
EX650R Ninja	650		KN-303	KVF650 Brute Force 4x4 Camo	650	KA-6503	KN-204
			KN-303C				
JT1500 STX-15F	1493		KN-204			KA-6503	KN-204C
			KN-204C				
JT1500 STX-15F	1493 - Option		KN-303	KVF650 Brute Force 4x4i	650	KA-7504	KN-204
			KN-303C				
JT1500 Ultra 250X	1500		KN-204			KA-7504	KN-204C
			KN-204C				
JT1500 Ultra LX	1500		KN-204	KVF650 Brute Force 4x4i Camo	650	KA-7504	KN-204
			KN-204C			KA-7504	KN-204C
JT1500 Ultra LX	1500 - Option		KN-303				
			KN-303C	KVF750 Brute Force 4x4i	750	KA-7408	KN-204
KAF400 Mule 600	400	KA-4093				KA-7408	KN-204C
KAF400 Mule 610 4x4	400	KA-4093					
KAF400 Mule 610 4x4 Hardwoods Green HD	400	KA-4093		KVF750 Brute Force 4x4i Camo.	750	KA-7408	KN-204
						KA-7408	KN-204C
KAF620 Mule 3000	620	KA-6201	KN-128	KVF750 Brute Force 4x4i NRA Outdoors	750	KA-7408	KN-204
KAF620 Mule 3010 4x4	620	KA-6201	KN-128			KA-7408	KN-204C
KAF620 Mule 3010 4x4 Hardwoods Green HD	620	KA-6201	KN-128				
KAF620 Mule 3010 Trans4x4	620	KA-6201	KN-128	KX65	65	KA-8088	
KAF620 Mule 3010 Trans4x4 Hardwoods Green HD	620	KA-6201	KN-128	KX85	85	KA-8088	
KAF950 Mule 3010 Diesel 4x4	950	KA-6201		KX85 II	85	KA-8088	
KAF950 Mule 3010 Trans4x4 Diesel	950	KA-6201		KX100	100	KA-8088	
KFX450R	450	KA-4508	KN-112	KX125	125 - Non-US	KA-1297	
KFX450R Monster Energy	450		KN-112	KX250	250		KN-207
KFX700	700	KA-6503	KN-204	KX250	250 - Non-US	KA-1297	KN-207
		KA-6503	KN-204C	KX250F	250	KA-2506XD	KN-207
			KN-303	KX450F	450	KA-2506XD	KN-112
			KN-303C	VN900 Vulcan Classic	900	KA-9006	KN-303
KLE650 Versys	650		KN-303			KA-9006	KN-303C
			KN-303C	VN900 Vulcan Classic LT	900	KA-9006	KN-303
KLF250 Bayou	228	KA-2288	KN-123			KA-9006	KN-303
KLR650	650	KA-6589	KN-123				
KLX110	110	KA-1102	KN-112			KA-9006	KN-303C
KLX140	140	KA-1408	KN-112				
KLX140L	140	KA-1408	KN-112	VN1500 Vulcan Classic	1500	KA-1596	KN-303
KLX250 D-Tracker X	250		KN-112				
KLX450R	450	KA-4408	KN-112			KA-1596	KN-303C
KRF750 Teryx 4x4	750	KA-7508	KN-204	VN1600 Vulcan Classic	1600	KA-1603	KN-303
		KA-7508	KN-204C				

\*Indicates 2 filters required    ♦ - Intake kit available    Applications updated daily at [knfilters.com](http://knfilters.com) ®

**Partial Listing - Complete List of Vehicles and Applications at [knfilters.com](http://knfilters.com)**

# KAWASAKI

# AIR & OIL FILTERS

Vehicle	Engine Type	Air Filter	Oil Filter	Vehicle	Engine Type	Air Filter	Oil Filter
<b>2008 KAWASAKI</b>				<b>2007 KAWASAKI</b>			
VN1600 Vulcan Classic	1600	KA-1603	KN-303C	EX650R Ninja	650		KN-303C
VN1600 Vulcan Mean Streak	1600	KA-1596	KN-303	JT1200 STX-12F	1176 - Option		KN-303
		KA-1596	KN-303C	JT1500 STX-15F	1493		KN-204
VN1600 Vulcan Nomad	1600	KA-1603	KN-303	JT1500 STX-15F	1493 - Option		KN-204C
		KA-1603	KN-303C	JT1500 Ultra 250X	1500		KN-303
VN2000 Vulcan	2000	KA-2008	KN-303	JT1500 Ultra LX	1500		KN-303C
		KA-2008	KN-303C				KN-204
VN2000 Vulcan Classic	2000	KA-2008	KN-303	JT1500 Ultra LX	1500 - Option		KN-204C
		KA-2008	KN-303C	KAF400 Mule 600	400	KA-4093	KN-303
VN2000 Vulcan Classic LT	2000	KA-2008	KN-303	KAF400 Mule 610 4x4	400	KA-4093	KN-303C
		KA-2008	KN-303C	KAF400 Mule 610 4x4 Hardwoods Green HD	400	KA-4093	KN-204
Vulcan 900	900	KA-9006		KAF620 Mule 3000	620	KA-6201	KN-204C
W400	400		KN-303	KAF620 Mule 3010 4x4	620	KA-6201	KN-128
			KN-303C	KAF620 Mule 3010 4x4 Hardwoods Green HD	620	KA-6201	KN-128
W650	650		KN-303	KAF620 Mule 3010 Trans4x4	620	KA-6201	KN-128
			KN-303C	KAF620 Mule 3010 Trans4x4 Hardwoods Green HD	620	KA-6201	KN-128
Z750	750	KA-1003	KN-303	KAF950 Mule 3010 Diesel 4x4	950	KA-6201	KN-128
		KA-1003	KN-303C	KAF950 Mule 3010 Trans4x4 Diesel	950	KA-6201	KN-128
Z750S	750		KN-303	KFX700	700	KA-6503	KN-204
			KN-303C			KA-6503	KN-204C
Z1000	1000	KA-1003	KN-303	KL250 Super Sherpa	250		KN-112
		KA-1003	KN-303C	KLE500	500		KN-303
ZG1400 Concours	1400	KA-1406	KN-303				KN-303C
		KA-1406	KN-303C	KLE650 Versys	650		KN-303
ZR400 Zephyr X	400		KN-401				KN-303C
ZR1000 ABS	1000		KN-303	KLF250 Bayou	228	KA-2288	KN-123
			KN-303C	KLR650	650	KA-6589	KN-123
ZRX400	400		KN-303	KLX110	110	KA-1102	KN-112
			KN-303C	KLX250 D-Tracker	250	KA-1287	KN-112
ZRX1200R	1200	KA-1199	KN-401	KLX250S	250	KA-1287	KN-112
ZX6R Ninja	600	KA-6007	KN-303	KLX300R	300	KA-1287	KN-112
		KA-6007	KN-303C	KSR110	110	KA-1102	KN-112
ZX6R Ninja	600 - Race Specific	KA-6007R	KN-303	KVF360 Prairie 2x4	360	KA-3603	KN-204
ZX10R Ninja	1000	KA-1008	KN-303			KA-3603	KN-204C
		KA-1008	KN-303C	KVF360 Prairie 4x4	360	KA-3603	KN-204
ZX10R Ninja	1000 - Race Specific	KA-1008R	KN-303			KA-3603	KN-204C
ZX14R Ninja	1400	KA-1406	KN-303	KVF650 Brute Force 4x4	650	KA-6503	KN-204
		KA-1406	KN-303C			KA-6503	KN-204C
ZZR600	600 - US	KA-6098	KN-303	KVF650 Brute Force 4x4 Camo	650	KA-6503	KN-204
		KA-6098	KN-303C			KA-6503	KN-204C
ZZR1400	1400	KA-1406	KN-303			KA-6503	KN-204C
		KA-1406	KN-303C	KVF650 Brute Force 4x4i	650	KA-7504	KN-204
						KA-7504	KN-204C
<b>2007 KAWASAKI</b>							
BJ250 Estrella	250		KN-123				
BJ250 TR	250		KN-123				
BN125 Eliminator	125		KN-112				
EN500 Vulcan LTD	500	KA-5096	KN-303	KVF650 Brute Force 4x4	650	KA-6503	KN-204
		KA-5096	KN-303C			KA-6503	KN-204C
ER6f	650		KN-303				
			KN-303C				
ER6n	650		KN-303				
			KN-303C				
EX250R Ninja	250	KA-2586	KN-401				
EX500R Ninja	500	KA-5087	KN-303				
		KA-5087	KN-303C				
EX650R Ninja	650		KN-303				

\*Indicates 2 filters required

◆ - Intake kit available

Applications updated daily at [knfilters.com](http://knfilters.com) ®

# AIR & OIL FILTERS

# KAWASAKI

Vehicle	Engine Type	Air Filter	Oil Filter	Vehicle	Engine Type	Air Filter	Oil Filter
<b>2007 KAWASAKI</b>				<b>2007 KAWASAKI</b>			
KVF650 Brute Force 4x4i Camo	650	KA-7504	KN-204	Z1000	1000	KA-1003	KN-303
		KA-7504	KN-204C	ZR400 Zephyr X	400	KA-1003	KN-303C
KVF750 Brute Force 4x4i	750	KA-7504	KN-204	ZR1000 ABS	1000		KN-401
		KA-7504	KN-204C	ZRX400	400		KN-303
KVF750 Brute Force 4x4i Camo.	750	KA-7504	KN-204	ZRX1200R	1200	KA-1199	KN-401
		KA-7504	KN-204C	ZX6R Ninja	600	KA-6007	KN-303
KX65	65	KA-8088		ZX6R Ninja	600 - Race Specific	KA-6007R	KN-303C
KX85	85	KA-8088		ZX10R Ninja	1000	KA-1004	KN-303
KX85 II	85	KA-8088				KA-1004	KN-303C
KX100	100	KA-8088		ZX14R Ninja	1400	KA-1406	KN-303
KX125	125 - Non-US	KA-1297				KA-1406	KN-303C
KX250	250	KA-1297	KN-207	ZZR600	600 - US	KA-6098	KN-303
KX250F	250	KA-2506XD	KN-207			KA-6098	KN-303C
KX450F	450	KA-2506XD	KN-112	ZZR1400	1400	KA-1406	KN-303
VN250 Eliminator V	250		KN-303			KA-1406	KN-303C
			KN-303C	<b>2006 KAWASAKI</b>			
VN900 Vulcan Classic	900	KA-9006	KN-303	BJ250 Estrella Custom	250		KN-123
		KA-9006	KN-303C	BJ250 Estrella RS	250		KN-123
VN900 Vulcan Classic LT	900	KA-9006	KN-303	BJ250 Estrella RS Ltd. Edition	250		KN-123
		KA-9006	KN-303C	BJ250 TR	250		KN-123
VN900 Vulcan Custom	900	KA-9006	KN-303	BN125 Eliminator	125		KN-112
		KA-9006	KN-303C	EN500 Vulcan LTD	500	KA-5096	KN-204
VN1500 Vulcan Classic	1500	KA-1596	KN-303	ER5	500	KA-5096	KN-204C
		KA-1596	KN-303C	ER6	650		KN-303
VN1600 Vulcan Classic	1600	KA-1603	KN-303	ER6f	650		KN-204
		KA-1603	KN-303C	ER6n	650		KN-204C
VN1600 Vulcan Mean Streak	1600	KA-1603	KN-303	EX250R Ninja	250	KA-2586	KN-204
		KA-1603	KN-303C	EX500R Ninja	500	KA-5087	KN-204
VN1600 Vulcan Nomad	1600	KA-1603	KN-303	EX650R Ninja	650	KA-5087	KN-204C
		KA-1603	KN-303C	JT1200 STX-12F	1176		KN-204
VN2000 Vulcan	2000	KA-2008	KN-303	JT1500 STX-15F	1493		KN-204C
		KA-2008	KN-303C	KAF400 Mule 600	400	KA-4093	KN-204
VN2000 Vulcan Classic	2000	KA-2008	KN-303	KAF400 Mule 610 4x4	400	KA-4093	KN-204C
		KA-2008	KN-303C	KAF400 Mule 610 4x4 Hardwoods Green HD	400	KA-4093	KN-204C
VN2000 Vulcan Classic LT	2000	KA-2008	KN-303	KAF620 Mule 3000	620	KA-6201	KN-128
		KA-2008	KN-303C	KAF620 Mule 3010 4x4	620	KA-6201	KN-128
Vulcan 900 W400	900 400	KA-9006	KN-303	KAF620 Mule 3010 4x4 Hardwoods Green HD	620	KA-6201	KN-128
			KN-303C	KAF620 Mule 3010 Trans4x4	620	KA-6201	KN-128
W650	650		KN-303	KAF620 Mule 3010 4x4 Hardwoods Green HD	620	KA-6201	KN-128
Z750	750	KA-1003	KN-303	KAF620 Mule 3010 Trans4x4 Hardwoods Green HD	620	KA-6201	KN-128
		KA-1003	KN-303C	KAF950 Mule 3010 Diesel 4x4	950	KA-6201	KN-128
Z750S	750	KA-1003	KN-303	KDX200	200	KA-1287	KN-128
		KA-1003	KN-303C	KFX80	80	SU-8087	KN-128
			KN-303C	KFX400	400	SU-4002	KN-139

\*Indicates 2 filters required      ♦ - Intake kit available      Applications updated daily at [knfilters.com](http://knfilters.com) ®

**Partial Listing - Complete List of Vehicles and Applications at [knfilters.com](http://knfilters.com)**

# KAWASAKI

# AIR & OIL FILTERS

Vehicle	Engine Type	Air Filter	Oil Filter	Vehicle	Engine Type	Air Filter	Oil Filter
<b>2006 KAWASAKI</b>				<b>2006 KAWASAKI</b>			
KFX700	697	KA-6503	KN-204	VN800 Vulcan Drifter	800	KA-8095	KN-204C
		KA-6503	KN-204C	VN900 Vulcan Classic	900	KA-9006	KN-303
KL250 Super Sherpa	250		KN-112			KA-9006	KN-303C
KLE500	500		KN-303				
			KN-303C	VN900 Vulcan Classic LT	900	KA-9006	KN-303
KLF250 Bayou	228	KA-2288	KN-123			KA-9006	KN-303C
KLR650	650	KA-6589	KN-123				
KLV1000	1000		KN-138				
			KN-138C	VN1500 Vulcan Classic	1500	KA-1596	KN-204
KLX110	110	KA-1102	KN-112			KA-1596	KN-204C
KLX125	125	KA-1203	KN-132				
KLX125L	125	KA-1203	KN-132	VN1600 Vulcan Classic	1600	KA-1603	KN-204
KLX250 D-Tracker	250	KA-1287	KN-112			KA-1603	KN-204C
KLX250S	250	KA-1287	KN-112				
KLX300R	300	KA-1287	KN-112	VN1600 Vulcan Mean Streak	1600	KA-1596	KN-204
KSR110	110	KA-1102	KN-112			KA-1596	KN-204C
KVF360 Prairie 2x4	360	KA-3603	KN-204				
		KA-3603	KN-204C			KA-1596	KN-204C
KVF360 Prairie 4x4	360	KA-3603	KN-204	VN1600 Vulcan Nomad	1600	KA-1603	KN-204
		KA-3603	KN-204C			KA-1603	KN-204C
		KA-3603	KN-204C	VN2000 Vulcan	2000	KA-2008	KN-204
						KA-2008	KN-204C
KVF650 Brute Force 4x4	650	KA-6503	KN-204	VN2000 Vulcan Classic	2000	KA-2008	KN-204
		KA-6503	KN-204C			KA-2008	KN-204C
				VN2000 Vulcan Classic LT	2000	KA-2008	KN-204
KVF650 Brute Force 4x4 Camo	650	KA-6503	KN-204C			KA-2008	KN-204C
				VN2000 Vulcan Limited	2000	KA-2008	KN-204
KVF650 Brute Force 4x4i	650	KA-7504	KN-204			KA-2008	KN-204C
		KA-7504	KN-204C	Vulcan 900	900	KA-9006	
				W400	400		KN-303
							KN-303C
KVF700 Prairie 4x4	700	KA-6503	KN-204	W650	650		KN-303
		KA-6503	KN-204C				KN-303C
KVF700 Prairie 4x4 Team Green	700	KA-6503	KN-204	Z750	750	KA-1003	KN-204
		KA-6503	KN-204C			KA-1003	KN-204C
				Z750S	750	KA-1003	KN-204
KVF750 Brute Force 4x4i	750	KA-7504	KN-204			KA-1003	KN-204C
		KA-7504	KN-204C	Z1000	1000	KA-1003	KN-204
						KA-1003	KN-204C
				ZG1000 Concours	998	KA-9084	KN-401
KVF750 Brute Force 4x4i Camo.	750	KA-7504	KN-204	ZR250 Balius II	250		KN-204
		KA-7504	KN-204C				KN-204C
				ZR400 Zephyr X	400		KN-401
KX65	65	KA-8088		ZR750 Zephyr	750	KA-0850	KN-401
KX85	85	KA-8088		ZR1100 Zephyr	1100		KN-401
KX85 II	85	KA-8088		ZRX400	400		KN-303
KX100	100	KA-8088					KN-303C
KX125	125 - Non-US	KA-1297		ZRX1200	1200	KA-1199	KN-401
KX250	250	KA-1297	KN-207	ZRX1200R	1200	KA-1199	KN-401
KX250F	250	KA-2506XD	KN-207	ZX6R Ninja	636	KA-6005	KN-204
KX450F	450	KA-2506XD	KN-112			KA-6005	KN-204C
VN250 Eliminator V	250		KN-204	ZX6RR Ninja	600	KA-6005	KN-204
			KN-204C			KA-6005	KN-204C
VN750 Vulcan	732	KA-7586	KN-204	ZX10R Ninja	1000	KA-1004	KN-204
		KA-7586	KN-204C			KA-1004	KN-204C
VN800 Vulcan Drifter	800	KA-8095	KN-204	ZX12R Ninja	1200	KA-1299-1	KN-204
						KA-1299-1	KN-204C

\*Indicates 2 filters required

◆ - Intake kit available

Applications updated daily at [knfilters.com](http://knfilters.com) ®

# AIR & OIL FILTERS

# KAWASAKI

Vehicle	Engine Type	Air Filter	Oil Filter	Vehicle	Engine Type	Air Filter	Oil Filter
<b>2006 KAWASAKI</b>				<b>2005 KAWASAKI</b>			
ZX14R Ninja	1400	KA-1406	KN-303	KLR250	250		KN-123
		KA-1406	KN-303C	KLR650	650	KA-6589	KN-123
ZZR400	400	KA-6093	KN-303	KLV1000	1000	SU-1002	KN-138
		KA-6093	KN-303C			SU-1002	KN-138C
ZZR600	600		KN-204	KLX110	110	KA-1102	KN-112
			KN-204C	KLX125	125	KA-1203	KN-132
ZZR600	600 - Non-US	KA-6093	KN-204	KLX125L	125	KA-1203	KN-132
ZZR600	600 - US	KA-6098	KN-204	KLX250 D-Tracker	250	KA-1287	KN-112
ZZR1400	1400	KA-1406	KN-303	KLX300R	300	KA-1287	KN-112
		KA-1406	KN-303C	KSR110	110	KA-1102	KN-112
<b>2005 KAWASAKI</b>				KVF360 Prairie 2x4	360	KA-3603	KN-204
BJ250 Estrella Custom	250		KN-123			KA-3603	KN-204C
BJ250 Estrella RS	250		KN-123	KVF360 Prairie 4x4	360	KA-3603	KN-204
BJ250 Estrella RS Ltd. Edition	250		KN-123			KA-3603	KN-204C
BJ250 TR	250		KN-123	KVF360 Prairie 4x4 Hardwoods Green HD	360	KA-3603	KN-204
BN125 Eliminator	125		KN-112			KA-3603	KN-204C
EN500 Vulcan LTD	500	KA-5096	KN-204	KVF650 Brute Force 4x4	650	KA-6503	KN-204
		KA-5096	KN-204C			KA-6503	KN-204C
ER5	500	KA-0018	KN-303	KVF650 Brute Force 4x4 Camo	650	KA-6503	KN-204
		KA-0018	KN-303C			KA-6503	KN-204
EX250R Ninja	250	KA-2586	KN-401			KA-6503	KN-204C
EX500R Ninja	500	KA-5087	KN-204	KVF700 Prairie 4x4	700	KA-6503	KN-204
		KA-5087	KN-204C			KA-6503	KN-204C
JT1200 STX-12F	1176		KN-204	KVF700 Prairie 4x4 Hardwoods Green HD	700	KA-6503	KN-204
			KN-204C			KA-6503	KN-204C
JT1500 STX-15F	1493		KN-204			KA-6503	KN-204
			KN-204C			KA-6503	KN-204C
KAF400 Mule 600	400	KA-4093		KVF700 Prairie 4x4 Team Green	700	KA-6503	KN-204
KAF400 Mule 610 4x4	400	KA-4093				KA-6503	KN-204C
KAF400 Mule 610 4x4 Hardwoods Green HD	400	KA-4093				KA-6503	KN-204C
KAF620 Mule 3000	620	KA-6201	KN-128	KVF750 Brute Force 4x4i	750	KA-7504	KN-204
KAF620 Mule 3010 4x4	620	KA-6201	KN-128			KA-7504	KN-204C
KAF620 Mule 3010 4x4 Hardwoods Green HD	620	KA-6201	KN-128	KVF750 Brute Force 4x4i Camo.	750	KA-7504	KN-204
KAF620 Mule 3010 Trans4x4	620	KA-6201	KN-128			KA-7504	KN-204C
KAF620 Mule 3010 Trans4x4 Hardwoods Green HD	620	KA-6201	KN-128	KX65	65	KA-8088	
KAF950 Mule 3010 Diesel 4x4	950	KA-6201		KX85	85	KA-8088	
KDX200	200	KA-1287		KX85 II	85	KA-8088	
KDX220R	220	KA-1287		KX100	100	KA-8088	
KFX80	80	SU-8087		KX125	125	KA-1297	
KFX400	400	SU-4002	KN-139	KX250	250	KA-1297	
KFX700	697	KA-6503	KN-204	KX250F	250	KA-2504	KN-207
		KA-6503	KN-204C	KZ1000P Police	1000	KA-1600	KN-401
KFX700 IG	700	KA-6503	KN-204	VN250 Eliminator V	250		KN-204
		KA-6503	KN-204C				KN-204C
KFX700 Special Edition	700	KA-6503	KN-204	VN750 Vulcan	732	KA-7586	KN-204
		KA-6503	KN-204C			KA-7586	KN-204C
		KA-6503	KN-204	VN800 Vulcan	800	KA-8095	KN-204
		KA-6503	KN-204C			KA-8095	KN-204C
		KA-6503	KN-204	VN800 Vulcan Classic	800	KA-8095	KN-204
		KA-6503	KN-204C			KA-8095	KN-204C
KFX700 V Force	700		KN-204	VN800 Vulcan Drifter	800	KA-8095	KN-204
			KN-204C			KA-8095	KN-204C
KL250 Super Sherpa	250		KN-112	VN1500 Vulcan Classic	1500	KA-1596	KN-204
KLE500	500		KN-303			KA-1596	KN-204C
			KN-303C			KA-1596	KN-204C
KLF250 Bayou	228	KA-2288	KN-123				

\*Indicates 2 filters required      ♦ - Intake kit available      Applications updated daily at [knfilters.com](http://knfilters.com) ®

**Partial Listing - Complete List of Vehicles and Applications at [knfilters.com](http://knfilters.com)**

# KAWASAKI

# AIR & OIL FILTERS

Vehicle	Engine Type	Air Filter	Oil Filter	Vehicle	Engine Type	Air Filter	Oil Filter
<b>2005 KAWASAKI</b>				<b>2004 KAWASAKI</b>			
VN1500 Vulcan Drifter	1500	KA-1596	KN-204	ER5	500	KA-0018	KN-303
		KA-1596	KN-204C	EX250R Ninja	250	KA-0018	KN-303C
				EX500R Ninja	500	KA-2586	KN-401
VN1600 Vulcan Classic	1600	KA-1603	KN-204			KA-5087	KN-204
		KA-1603	KN-204C	JT1200 STX-12F	1176	KA-5087	KN-204C
VN1600 Vulcan Mean Streak	1600	KA-1596	KN-204	JT1500 STX-15F	1493		KN-204
		KA-1596	KN-204C	KAF300 Mule 550	300	KA-4093	KN-204C
VN1600 Vulcan Nomad	1600	KA-1603	KN-204	KAF620 Mule 3000	620	KA-6201	KN-128
		KA-1603	KN-204C	KAF620 Mule 3010 4x4	620	KA-6201	KN-128
VN2000 Vulcan	2000	KA-2008	KN-204	KAF620 Mule 3010 4x4 Hardwoods Green HD	620	KA-6201	KN-128
		KA-2008	KN-204C	KAF950 Mule 3010 Diesel 4x4	950	KA-6201	KN-128
VN2000 Vulcan Classic LT	2000		KN-204	KDX200	200		KN-204
			KN-204C	KDX220R	220	KA-1287	KN-204C
W650	650		KN-204	KFX80	80	SU-8087	
			KN-204C	KFX400	400	SU-4002	KN-139
Z750	750	KA-1003	KN-204	KFX700 V Force	697	KA-6503	KN-204
		KA-1003	KN-204C			KA-6503	KN-204C
Z750S	750	KA-1003	KN-204	KL250 Super Sherpa	250		KN-112
		KA-1003	KN-204C	KLE500	500		KN-303
Z1000	1000	KA-1003	KN-204				KN-303C
		KA-1003	KN-204C	KLF250 Bayou	228	KA-2288	KN-123
ZG1000 Concours	998	KA-9084	KN-401	KLF300 Bayou 2x4	300	KA-4093	KN-123
ZR7S	750	KA-0850	KN-401	KLF300 Bayou 4x4	300	KA-4093	KN-123
ZR250 Balius II	250		KN-204	KLR250	250		KN-123
			KN-204C	KLR650	650	KA-6589	KN-123
ZR400 Zephyr X	400		KN-401	KLV1000	1000	SU-1002	KN-138
ZR750 Zephyr	750	KA-0850	KN-401			SU-1002	KN-138C
ZR1100 Zephyr	1100		KN-401	KLX110	110	KA-1102	KN-112
ZRX400	400		KN-303	KLX125	125	KA-1203	KN-132
			KN-303C	KLX125L	125	KA-1203	KN-132
ZRX1200	1200	KA-1199	KN-401	KLX250 D-Tracker	250	KA-1287	KN-112
ZRX1200R	1200	KA-1199	KN-401	KLX300R	300	KA-1287	KN-112
ZX6R Ninja	636	KA-6005	KN-204	KSF250 Mojave	250	KA-2587	KN-123
		KA-6005	KN-204C	KSR110	110	KA-1102	KN-112
ZX6RR Ninja	600	KA-6005	KN-204	KVF360 Prairie 2x4	360	KA-3603	KN-204
		KA-6005	KN-204C			KA-3603	KN-204C
ZX10R Ninja	1000	KA-1004	KN-204	KVF360 Prairie 4x4	360	KA-3603	KN-204
		KA-1004	KN-204C			KA-3603	KN-204C
ZX12R Ninja	1200	KA-1299-1	KN-204	KVF360 Prairie 4x4 Hardwoods Green HD	360	KA-3603	KN-204
		KA-1299-1	KN-204C			KA-3603	KN-204C
ZZR400	400	KA-6093	KN-303				
		KA-6093	KN-303C	KVF700 Prairie 4x4	700	KA-6503	KN-204
ZZR600	600		KN-204			KA-6503	KN-204C
			KN-204C	KVF700 Prairie 4x4 Hardwoods Green HD	700	KA-6503	KN-204
ZZR600	600 - Non-US	KA-6093	KN-204			KA-6503	KN-204C
ZZR600	600 - US	KA-6098	KN-204				
ZZR1200	1200	KA-1093	KN-401	KX65	65	KA-8088	
<b>2004 KAWASAKI</b>				KX85	85	KA-8088	
BJ250 Estrella Custom	250		KN-123	KX85 II	85	KA-8088	
BJ250 Estrella RS	250		KN-123	KX100	100	KA-8088	
BJ250 Estrella RS Ltd. Edition	250		KN-123	KX125	125	KA-1297	
BJ250 TR	250		KN-123	KX250	250	KA-1297	
BN125 Eliminator	125		KN-112	KX250F	250	KA-2504	KN-207
EN500 Vulcan LTD	500	KA-5096	KN-204	KX500	500	KA-1287	
		KA-5096	KN-204C	KZ1000P Police	1000	KA-1600	KN-401
				VN250 Eliminator V	250		KN-204

\*Indicates 2 filters required

◆ - Intake kit available

Applications updated daily at [knfilters.com](http://knfilters.com) ®



# AIR & OIL FILTERS

# KAWASAKI

Vehicle	Engine Type	Air Filter	Oil Filter	Vehicle	Engine Type	Air Filter	Oil Filter
<b>2004 KAWASAKI</b>				<b>2004 KAWASAKI</b>			
VN250 Eliminator V	250		KN-204C	ZZR600	600 - exc. OE filter w/hole	KA-6093	KN-204
VN750 Vulcan	732	KA-7586	KN-204	ZZR1200	1200	KA-1093	KN-401
VN800 Vulcan	800	KA-7586	KN-204C	<b>2003 KAWASAKI</b>			
		KA-8095	KN-204	BJ250 Estrella	250		KN-123
		KA-8095	KN-204C	Custom			
VN800 Vulcan Classic	800	KA-8095	KN-204	BJ250 Estrella RS	250		KN-123
		KA-8095	KN-204C	BJ250 Estrella RS Ltd. Edition	250		KN-123
VN800 Vulcan Drifter	800	KA-8095	KN-204	BJ250 TR	250		KN-123
		KA-8095	KN-204C	BN125 Eliminator	125		KN-112
VN1500 Vulcan Classic	1500	KA-1596	KN-204	EL250 Eliminator	250		KN-401
		KA-1596	KN-204C	EN500 Vulcan LTD	500	KA-5096	KN-204
						KA-5096	KN-204C
VN1500 Vulcan Drifter	1500	KA-1596	KN-204	ER5	500	KA-0018	KN-303
		KA-1596	KN-204C			KA-0018	KN-303C
				EX250R Ninja	250	KA-2586	KN-401
VN1500 Vulcan Nomad F/I	1500	KA-1596	KN-204	EX500R Ninja	500	KA-5087	KN-204
		KA-1596	KN-204C			KA-5087	KN-204C
				GPZ500S	500		KN-204
							KN-204C
VN1600 Vulcan Classic	1600	KA-1603	KN-204	GPZ900R	900	KA-9084	KN-401
		KA-1603	KN-204C	JT1200 STX-12F	1176		KN-204
							KN-204C
VN1600 Vulcan Mean Streak	1600	KA-1596	KN-204	KAF300 Mule 550	300	KA-4093	KN-128
		KA-1596	KN-204C	KAF620 Mule 3000	620	KA-6201	KN-128
				KAF620 Mule 3010 4x4	620	KA-6201	KN-128
VN2000 Vulcan	2000	KA-2008	KN-204	KAF620 Mule 3010 4x4 Advantage Classic	620		
		KA-2008	KN-204C	KAF620 Mule 3020	620	KA-6201	KN-128
VN2000 Vulcan Classic LT	2000		KN-204	KAF950 Mule 3010 Diesel 4x4	950	KA-6201	
			KN-204C	KDX200	200	KA-1287	
W650	650		KN-204	KDX220R	220	KA-1287	
			KN-204C	KEF300 Lakota	300		KN-123
Z750	750	KA-1003	KN-204	KFX80	80	SU-8087	
		KA-1003	KN-204C	KFX400	400	SU-4002	KN-139
Z1000	1000	KA-1003	KN-204	KL250 Super Sherpa	250		KN-112
		KA-1003	KN-204C	KLE500	500		KN-303
ZG1000 Concours	998	KA-9084	KN-401				KN-303C
ZR7S	750	KA-0850	KN-401	KLF250 Bayou	249	KA-2288	KN-123
ZR250 Balius II	250		KN-204	KLF300 Bayou 2x4	290	KA-4093	KN-123
			KN-204C	KLF300 Bayou 4x4	300	KA-4093	KN-123
ZR400 Zephyr X	400		KN-401	KLR250	250		KN-123
ZR750 Zephyr	750	KA-0850	KN-401	KLR650	650	KA-6589	KN-123
ZR1100 Zephyr	1100		KN-401	KLX110	110	KA-1102	KN-112
ZRX400	400		KN-303	KLX125	125	KA-1203	KN-132
			KN-303C	KLX125L	125	KA-1203	KN-132
ZRX1200	1200	KA-1199	KN-401	KLX250 D-Tracker	250	KA-1287	KN-112
ZRX1200R	1200	KA-1199	KN-401	KLX300R	300	KA-1287	KN-112
ZRX1200S	1200	KA-1199	KN-401	KLX400R	400	SU-4000	KN-139
ZX6R Ninja	636	KA-6003	KN-204	KLX400SR	400	SU-4000	KN-139
		KA-6003	KN-204C	KSF250 Mojave	249	KA-2587	KN-123
ZX6RR Ninja	600	KA-6003	KN-204	KSR110	110	KA-1102	KN-112
		KA-6003	KN-204C	KVF360 Prairie 2x4	392	KA-3603	KN-204
ZX10R Ninja	1000	KA-1004	KN-204			KA-3603	KN-204C
		KA-1004	KN-204C	KVF360 Prairie 4x4	360	KA-3603	KN-204
ZX12R Ninja	1200	KA-1299-1	KN-204			KA-3603	KN-204C
		KA-1299-1	KN-204C	KVF360 Prairie Advantage Classic	360	KA-3603	KN-204
ZZR400	400	KA-6093	KN-303			KA-3603	KN-204C
		KA-6093	KN-303C				
ZZR600	600		KN-204	KVF650 Prairie 4x4	635	KA-6503	KN-204
			KN-204C				

\*Indicates 2 filters required    ♦ - Intake kit available    Applications updated daily at [knfilters.com](http://knfilters.com) ®

**Partial Listing - Complete List of Vehicles and Applications at [knfilters.com](http://knfilters.com)**

# KAWASAKI

# AIR & OIL FILTERS

Vehicle	Engine Type	Air Filter	Oil Filter	Vehicle	Engine Type	Air Filter	Oil Filter
<b>2003 KAWASAKI</b>				<b>2003 KAWASAKI</b>			
KVF650 Prairie 4x4	635	KA-6503	KN-204C	ZX7R Ninja	750	KA-7596	KN-303C
KX60	60	KA-6085		ZX9R Ninja	900	KA-9098	KN-204
KX65	65	KA-8088				KA-9098	KN-204C
KX85	85	KA-8088		ZX12R Ninja	1200	KA-1299-1	KN-204
KX85 II	85	KA-8088				KA-1299-1	KN-204C
KX100	100	KA-8088		ZZR400	400	KA-6093	KN-303
KX125	125	KA-1297				KA-6093	KN-303C
KX250	250	KA-1297		ZZR600	600		KN-204
KX500	500	KA-1287					KN-204C
KZ1000P Police	1000	KA-1600	KN-401	ZZR600	600 - exc. OE filter w/hole	KA-6093	KN-204
VN750 Vulcan	732	KA-7586	KN-303	ZZR1200	1200	KA-1093	KN-401
		KA-7586	KN-303C	<b>2002 KAWASAKI</b>			
VN800 Vulcan	800	KA-8095	KN-204	BJ250 Estrella	250		KN-123
		KA-8095	KN-204C	Custom			
VN800 Vulcan Classic	803	KA-8095	KN-204	BJ250 Estrella	250		KN-123
				Custom Ltd. Edition			
		KA-8095	KN-204C	BJ250 Estrella RS	250		KN-123
VN800 Vulcan Drifter	800	KA-8095	KN-204	BJ250 Estrella RS	250		KN-123
		KA-8095	KN-204C	Ltd. Edition			
VN1500 Vulcan Classic	1500	KA-1596	KN-204	BJ250 TR	250		KN-123
				BN125 Eliminator	125		KN-112
		KA-1596	KN-204C	EL250 Eliminator	250		KN-401
VN1500 Vulcan Classic Tourer F/I	1500	KA-1596	KN-204	EL252	250		KN-401
				EN500 Vulcan LTD	500	KA-5096	KN-303
		KA-1596	KN-204C			KA-5096	KN-303C
VN1500 Vulcan Drifter	1500	KA-1596	KN-204	ER5	500	KA-0018	KN-303
						KA-0018	KN-303C
		KA-1596	KN-204C	EX250R Ninja	250	KA-2586	KN-401
VN1500 Vulcan Mean Streak	1500	KA-1596	KN-204	EX500R Ninja	500	KA-5087	KN-303
						KA-5087	KN-303C
		KA-1596	KN-204C	GPZ500S	500	KA-5087	KN-204
VN1500 Vulcan Nomad F/I	1500	KA-1596	KN-204			KA-5087	KN-204C
				GPZ900R	900	KA-9084	KN-401
		KA-1596	KN-204C	KAF620 Mule 3000	620	KA-6201	KN-128
VN1600 Vulcan Classic	1553	KA-1603	KN-204	KAF620 Mule 3010 4x4	620	KA-6201	KN-128
				KAF620 Mule 3020	620	KA-6201	KN-128
		KA-1603	KN-204C	KAF950 Mule 2510 Diesel	950	KA-6201	
W650	650		KN-204	KDX200	200	KA-1287	
			KN-204C	KDX220R	220	KA-1287	
Z1000	1000	KA-1003	KN-204	KEF300 Lakota	300		KN-123
		KA-1003	KN-204C	KEF300 Lakota Sport	290	KA-2587	KN-123
ZG1000 Concours	998	KA-9084	KN-401	KL250 Super Sherpa	250		KN-112
ZG1200 Voyager XII	1185		KN-401	KLE500	500		KN-303
ZR7	750		KN-401			KA-2288	KN-123
ZR7S	750	KA-0850	KN-401	KLF220 Bayou	220	KA-4093	KN-123
ZR250 Balius II	250		KN-204	KLF300 Bayou 2x4	290	KA-4093	KN-123
			KN-204C	KLF300 Bayou 4x4	300	KA-4093	KN-123
ZR400 Zephyr X	400		KN-401	KLR250	250		KN-123
ZR750 Zephyr	750	KA-0850	KN-401	KLR650	650	KA-6589	KN-123
ZR1100 Zephyr	1100		KN-401	KLX110	110	KA-1102	KN-112
ZRX400	400		KN-303	KLX250 D-Tracker	250	KA-1287	KN-112
			KN-303C	KLX300R	300	KA-1287	KN-112
ZRX1200	1200	KA-1199	KN-401	KSF250 Mojave	249	KA-2587	KN-123
ZRX1200R	1200	KA-1199	KN-401	KVF300 Prairie 2x4	290	KA-4093	KN-303
ZRX1200S	1200	KA-1199	KN-401			KA-4093	KN-303C
ZX6R Ninja	636	KA-6003	KN-204	KVF300 Prairie 4x4	300	KA-4093	KN-303
		KA-6003	KN-204C			KA-4093	KN-303C
ZX6RR Ninja	600	KA-6003	KN-204	KVF400 Prairie 2x4	400	KA-4093	KN-303
		KA-6003	KN-204C			KA-4093	KN-303C
ZX7R Ninja	750	KA-7596	KN-303	KVF400 Prairie 4x4	400	KA-4093	KN-303
						KA-4093	KN-303C
				KVF650 Prairie 4x4	635	KA-6502	KN-204

\*Indicates 2 filters required

◆ - Intake kit available

Applications updated daily at [knfilters.com](http://knfilters.com) ®

# AIR & OIL FILTERS

# KAWASAKI

Vehicle	Engine Type	Air Filter	Oil Filter	Vehicle	Engine Type	Air Filter	Oil Filter
<b>2002 KAWASAKI</b>				<b>2002 KAWASAKI</b>			
KVF650 Prairie 4x4	635	KA-6502	KN-204C	ZX9R Ninja	900	KA-9098	KN-204C
KX60	60	KA-6085		ZX12R Ninja	1200	KA-1299-1	KN-204
KX65	65	KA-8088				KA-1299-1	KN-204C
KX85	85	KA-8088		ZXR400L	400		KN-303
KX85 II	85	KA-8088					KN-303C
KX100	100	KA-8088		ZZR250	250		KN-401
KX125	125	KA-1297		ZZR600	600		KN-204
KX250	250	KA-1297					KN-204C
KX500	500	KA-1287		ZZR600	600 - exc. OE filter w/hole	KA-6093	KN-204
KZ1000P Police	1000	KA-1600	KN-401	ZZR1200	1200	KA-1093	KN-401
VN250 Eliminator V	250		KN-303	<b>2001 KAWASAKI</b>			
			KN-303C	BJ250 Estrella	250		KN-123
VN750 Vulcan	732	KA-7586	KN-303	Custom			
		KA-7586	KN-303C	BJ250 Estrella RS	250		KN-123
VN800 Vulcan	800	KA-8095	KN-303	BN125 Eliminator	125		KN-112
		KA-8095	KN-303C	EL250 Eliminator	250		KN-401
VN800 Vulcan Classic	803	KA-8095	KN-204	EL252	250		KN-401
		KA-8095	KN-204C	EN500 Vulcan LTD	500	KA-5096	KN-303
VN800 Vulcan Drifter	800	KA-8095	KN-303			KA-5096	KN-303C
		KA-8095	KN-303C	ER5	500	KA-0018	KN-303
VN1500 Vulcan Classic	1500	KA-1596	KN-204			KA-0018	KN-303C
		KA-1596	KN-204C	EX250R Ninja	250	KA-2586	KN-401
VN1500 Vulcan Classic F/I	1500	KA-1596	KN-204	EX500R Ninja	500	KA-5087	KN-303
		KA-1596	KN-204C	GPZ500S	500	KA-5087	KN-303C
VN1500 Vulcan Classic Tourer F/I	1500	KA-1596	KN-204	GPZ900R	900	KA-9084	KN-401
		KA-1596	KN-204C	GT550	550		KN-401
VN1500 Vulcan Drifter	1500	KA-1596	KN-204	KAF300 Mule 520	300	KA-4093	KN-128
		KA-1596	KN-204C	KAF300 Mule 550	300	KA-4093	KN-128
VN1500 Vulcan Mean Streak	1500	KA-1596	KN-204	KAF620 Mule 3000	620	KA-6201	KN-128
		KA-1596	KN-204C	KAF620 Mule 3010 4x4	620	KA-6201	KN-128
VN1500 Vulcan Nomad F/I	1500	KA-1596	KN-204	KAF620 Mule 3020	620	KA-6201	KN-128
		KA-1596	KN-204C	KAF950 Mule 2510 Diesel	950	KA-6201	
W650	650		KN-204	KDX200	200	KA-1287	
ZG1000 Concours	998	KA-9084	KN-204C	KDX220R	220	KA-1287	
ZG1200 Voyager XII	1185		KN-401	KEF300 Lakota	290		KN-123
ZR7	750		KN-401	KEF300 Lakota Sport	290	KA-2587	KN-123
ZR7S	750	KA-0850	KN-401	KL250 Super Sherpa	250		KN-112
ZR250 Balius II	250		KN-204	KLE500	500		KN-303
			KN-204C				KN-303C
ZR400 Zephyr X	400	KA-0850	KN-401	KLF220 Bayou	215	KA-2288	KN-123
ZR750 Zephyr	750	KA-0850	KN-401	KLF300 Bayou 2x4	290	KA-4093	KN-123
ZR1100 Zephyr	1100		KN-401	KLF300 Bayou 4x4	300	KA-4093	KN-123
ZRX1200	1200	KA-1199	KN-401	KLR250	250		KN-123
ZRX1200R	1200	KA-1199	KN-401	KLR650	650	KA-6589	KN-123
ZRX1200S	1200	KA-1199	KN-401	KLX250 D-Tracker	250	KA-1287	KN-112
ZX6R Ninja	588	KA-6098	KN-204	KLX300R	300	KA-1287	KN-112
		KA-6098	KN-204C	KLX650R	650		KN-123
ZX6R Ninja	636		KN-204	KSF250 Mojave	249	KA-2587	KN-123
			KN-204C	KVF300 Prairie 2x4	290	KA-4093	KN-303
ZX7R Ninja	750	KA-7596	KN-303			KA-4093	KN-303C
		KA-7596	KN-303C	KVF300 Prairie 4x4	300	KA-4093	KN-303
ZX9R Ninja	900	KA-9098	KN-204			KA-4093	KN-303C
				KVF400 Prairie 2x4	392	KA-4093	KN-303
						KA-4093	KN-303C
				KVF400 Prairie 4x4	400	KA-4093	KN-303
						KA-4093	KN-303C
				KX60	60	KA-6085	
				KX65	65	KA-8088	
				KX85	85	KA-8088	

\*Indicates 2 filters required     ♦ - Intake kit available     Applications updated daily at [knfilters.com](http://knfilters.com) ®

**Partial Listing - Complete List of Vehicles and Applications at [knfilters.com](http://knfilters.com)**

# KAWASAKI

# AIR & OIL FILTERS

Vehicle	Engine Type	Air Filter	Oil Filter	Vehicle	Engine Type	Air Filter	Oil Filter
<b>2001 KAWASAKI</b>				<b>2001 KAWASAKI</b>			
KX100	100	KA-8088		ZX12R Ninja	1200	KA-1299-1	KN-204
KX125	125	KA-1297				KA-1299-1	KN-204C
KX250	250	KA-1297		ZXR400L	400		KN-303
KX500	500	KA-1287					KN-303C
KZ1000P Police	998	KA-1600	KN-401	ZZR250	250		KN-401
VN250 Eliminator V	250		KN-303	ZZR400	400	KA-6093	KN-303
			KN-303C			KA-6093	KN-303C
VN750 Vulcan	732	KA-7586	KN-303	ZZR600	600		KN-303
		KA-7586	KN-303C				KN-303C
VN800 Vulcan	800	KA-8095	KN-303	ZZR600	600 - exc. OE filter w/hole	KA-6093	KN-303
		KA-8095	KN-303C				
VN800 Vulcan Classic	803	KA-8095	KN-303	ZZR1100	1100	KA-1093	KN-401
				<b>2000 KAWASAKI</b>			
		KA-8095	KN-303C	BJ250 Estrella	250		KN-123
VN800 Vulcan Drifter	800	KA-8095	KN-303	BJ250 Estrella Custom	250		KN-123
		KA-8095	KN-303C	BJ250 Estrella RS	250		KN-123
VN1500 Vulcan Classic	1500	KA-1596	KN-204	BN125 Eliminator	125		KN-112
				EL250 Eliminator	250		KN-401
		KA-1596	KN-204C	EL252	250		KN-401
VN1500 Vulcan Classic F/I	1500	KA-1596	KN-204	EN500 Vulcan LTD	500	KA-5096	KN-303
						KA-5096	KN-303C
		KA-1596	KN-204C	ER5	500	KA-0018	KN-303
						KA-0018	KN-303C
VN1500 Vulcan Classic Tourer F/I	1500		KN-204	EX250R Ninja	250	KA-2586	KN-401
				EX500R Ninja	500	KA-5087	KN-303
			KN-204C			KA-5087	KN-303C
VN1500 Vulcan Drifter	1500	KA-1596	KN-204	GPX600R	600		KN-401
				GPZ500S	500		KN-303
		KA-1596	KN-204C				KN-303C
VN1500 Vulcan Nomad	1500	KA-1596	KN-204	GPZ900R	900	KA-9084	KN-401
				GT550	550		KN-401
		KA-1596	KN-204C	KAF300 Mule 520	300	KA-4093	KN-128
VN1500 Vulcan Nomad F/I	1500	KA-1596	KN-204	KAF300 Mule 550	300	KA-4093	KN-128
				KAF620 Mule 2500	620	KA-4093	KN-128
				KAF620 Mule 2510 4x4	620	KA-4093	KN-128
		KA-1596	KN-204C	KAF620 Mule 2520	620	KA-4093	KN-128
W650	650		KN-204	KAF950 Mule 2510 Diesel	950	KA-6201	
			KN-204C	KDX200	200	KA-1287	
ZG1000 Concours	1000	KA-9084	KN-401	KDX220R	220	KA-1287	
ZG1200 Voyager XII	1185		KN-401	KEF300 Lakota	290	KA-2587	KN-123
ZR7	750	KA-0850	KN-401	KL250 Super Sherpa	250		KN-112
ZR7S	750	KA-0850	KN-401	KLE500	500		KN-303
ZR250 Balius II	250		KN-204				KN-303C
			KN-204C	KLF220 Bayou	215	KA-2288	KN-123
ZR400 Zephyr X	400	KA-0850	KN-401	KLF300 Bayou 2x4	290	KA-4093	KN-123
ZR750 Zephyr	750	KA-0850	KN-401	KLF300 Bayou 4x4	300	KA-4093	KN-123
ZRX400	400		KN-303	KLR250	250		KN-123
			KN-303C	KLR650	650	KA-6589	KN-123
ZRX1200	1200	KA-1199	KN-401	KLX300R	300	KA-1287	KN-112
ZRX1200R	1200	KA-1199	KN-401	KLX650R	650		KN-123
ZRX1200S	1200	KA-1199	KN-401	KSF250 Mojave	249	KA-2587	KN-123
ZX6 Ninja	600		KN-303	KVF300 Prairie 2x4	290	KA-4093	KN-303
			KN-303C			KA-4093	KN-303C
ZX6 Ninja	600 - exc. OE filter w/hole	KA-6093	KN-303	KVF300 Prairie 4x4	300	KA-4093	KN-303
ZX6R Ninja	588	KA-6098	KN-303			KA-4093	KN-303C
		KA-6098	KN-303C	KVF400 Prairie 2x4	392	KA-4093	KN-303
ZX7R Ninja	750	KA-7596	KN-303			KA-4093	KN-303C
		KA-7596	KN-303C	KVF400 Prairie 4x4	400	KA-4093	KN-303
ZX9R Ninja	900	KA-9098	KN-303			KA-4093	KN-303C
		KA-9098	KN-303C	KX60	60	KA-6085	
ZX11 Ninja	1100	KA-1093	KN-401	KX65	65	KA-8088	

\*Indicates 2 filters required

◆ - Intake kit available

Applications updated daily at [knfilters.com](http://knfilters.com) ®

# AIR & OIL FILTERS

# KAWASAKI

Vehicle	Engine Type	Air Filter	Oil Filter	Vehicle	Engine Type	Air Filter	Oil Filter
<b>2000 KAWASAKI</b>				<b>2000 KAWASAKI</b>			
KX80	80	KA-8088		ZXR400L	400		KN-303
KX100	100	KA-8088					KN-303C
KX125	125	KA-1297		ZZR250	250		KN-401
KX250	250	KA-1297		ZZR400	400		KN-303
KX500	500	KA-1287					KN-303C
KZ1000P Police	998	KA-1600	KN-401	ZZR600	600		KN-303
VN250 Eliminator V	250		KN-303				KN-303C
			KN-303C	ZZR600	600 - exc. OE filter	KA-6093	KN-303
VN750 Vulcan	732	KA-7586	KN-303	ZZR1100	1100	KA-1093	KN-401
		KA-7586	KN-303C				
VN800 Vulcan	800	KA-8095	KN-303	<b>1999 KAWASAKI</b>			
		KA-8095	KN-303C	BJ250 Estrella	250		KN-123
VN800 Vulcan Classic	800	KA-8095	KN-303	BJ250 Estrella Custom	250		KN-123
		KA-8095	KN-303C	BJ250 Estrella RS	250		KN-123
VN800 Vulcan Drifter	800	KA-8095	KN-303	BJ250 Estrella RS Custom	250		KN-123
		KA-8095	KN-303C	BN125 Eliminator	125		KN-112
VN1500 Vulcan Classic	1500	KA-1596	KN-204	EL250 Eliminator	250		KN-401
		KA-1596	KN-204C	EL252	250		KN-401
				EN500 Vulcan LTD	500	KA-5096	KN-303
VN1500 Vulcan Classic F/I	1500	KA-1596	KN-204			KA-5096	KN-303C
		KA-1596	KN-204C	ER5	500	KA-0018	KN-303
						KA-0018	KN-303C
VN1500 Vulcan Classic Tourer F/I	1500		KN-303	ER500 Twister	500		KN-303
			KN-303C				KN-303C
VN1500 Vulcan Drifter	1500	KA-1596	KN-204	EX250R Ninja	250	KA-2586	KN-401
		KA-1596	KN-204C	EX500R Ninja	500	KA-5087	KN-303
						KA-5087	KN-303C
VN1500 Vulcan Nomad	1500	KA-1596	KN-204	GPX600R	600		KN-401
		KA-1596	KN-204C	GPZ500S	500		KN-303
							KN-303C
VN1500 Vulcan Nomad F/I	1500	KA-1596	KN-303	GPZ900R	900	KA-9084	KN-401
		KA-1596	KN-303C	GT550	550		KN-401
				KAF300 Mule 550	300	KA-4093	KN-128
W650	650		KN-204	KAF620 Mule 2500	620	KA-4093	KN-128
			KN-204C	KAF620 Mule 2510 4x4	620	KA-4093	KN-128
ZG1000 Concours	1000	KA-9084	KN-401	KAF620 Mule 2520	620	KA-4093	KN-128
ZG1200 Voyager XII	1185		KN-401	KDX200	200	KA-1287	
ZR7	750	KA-0850	KN-401	KDX220R	220	KA-1287	
ZR250 Balius II	250		KN-204	KEF300 Lakota	290	KA-2587	KN-123
			KN-204C	KLE500	500		KN-303
ZR400 Zephyr X	400	KA-0850	KN-401				KN-303C
ZR550 Zephyr	550		KN-401	KLF220 Bayou	215	KA-2288	KN-123
ZRX400	400		KN-303	KLF300 Bayou 2x4	290	KA-4093	KN-123
			KN-303C	KLF300 Bayou 4x4	300	KA-4093	KN-123
ZRX1100	1100	KA-1199	KN-401	KLF400 Bayou 4x4	392	KA-4093	KN-303
ZX6 Ninja	600		KN-303			KA-4093	KN-303C
			KN-303C	KLR250	250		KN-123
ZX6 Ninja	600 - exc. OE filter w/whole	KA-6093	KN-303	KLR650	650	KA-6589	KN-123
ZX6R Ninja	600	KA-6098	KN-303	KLX250 D-Tracker	250	KA-1287	KN-112
		KA-6098	KN-303C	KLX300R	300	KA-1287	KN-112
ZX7R Ninja	750	KA-7596	KN-303	KLX650R	650		KN-123
		KA-7596	KN-303C	KSF250 Mojave	249	KA-2587	KN-123
ZX9R Ninja	900	KA-9098	KN-303	KVF300 Prairie 2x4	290	KA-4093	KN-303
		KA-9098	KN-303C			KA-4093	KN-303C
ZX11 Ninja	1100	KA-1093	KN-401	KVF300 Prairie 4x4	300	KA-4093	KN-303
ZX12R Ninja	1200	KA-1299-1	KN-204			KA-4093	KN-303C
		KA-1299-1	KN-204C	KVF400 Prairie 2x4	392	KA-4093	KN-303
						KA-4093	KN-303C
				KVF400 Prairie 4x4	400	KA-4093	KN-303
				KX60	60	KA-6085	KN-303C

\*Indicates 2 filters required    ♦ - Intake kit available    Applications updated daily at [knfilters.com](http://knfilters.com) ®

**Partial Listing - Complete List of Vehicles and Applications at [knfilters.com](http://knfilters.com)**

# KAWASAKI

# AIR & OIL FILTERS

Vehicle	Engine Type	Air Filter	Oil Filter	Vehicle	Engine Type	Air Filter	Oil Filter
<b>1999 KAWASAKI</b>				<b>1999 KAWASAKI</b>			
KX80	80	KA-8088		ZXR400L	400	KA-4091	KN-303C
KX100	100	KA-8088		ZXR400R	400	KA-4091	KN-303
KX125	125	KA-1297				KA-4091	KN-303C
KX250	250	KA-1297		ZZR250	250		KN-401
KX500	500	KA-1287		ZZR400	400	KA-6093	KN-303
KZ1000P Police	998	KA-1600	KN-401			KA-6093	KN-303C
VN250 Eliminator V	250		KN-303	ZZR600	600		KN-303
			KN-303C				KN-303C
VN750 Vulcan	732	KA-7586	KN-303	ZZR600	600 - exc. OE filter w/hole	KA-6093	KN-303
		KA-7586	KN-303C				
VN800 Vulcan	800	KA-8095	KN-303	ZZR1100	1100	KA-1093	KN-401
		KA-8095	KN-303C	<b>1998 KAWASAKI</b>			
VN800 Vulcan Classic	800	KA-8095	KN-303	BJ250 Estrella	250		KN-123
		KA-8095	KN-303C	BJ250 Estrella Custom	250		KN-123
VN800 Vulcan Drifter	800	KA-8095	KN-303	BJ250 Estrella RS	250		KN-123
		KA-8095	KN-303C	BJ250 Estrella RS Custom	250		KN-123
VN1500 Vulcan	1500	KA-1594	KN-303	BN125 Eliminator	125		KN-112
		KA-1594	KN-303C	EL250 Eliminator	250		KN-401
VN1500 Vulcan Classic	1500	KA-1596	KN-204	EL250 Eliminator LX	250	KA-7587	KN-401
		KA-1596	KN-204C	EL252	250		KN-401
VN1500 Vulcan Classic Tourer F/I	1500		KN-303	EN500 Vulcan LTD	500	KA-5096	KN-303
			KN-303C			KA-5096	KN-303C
VN1500 Vulcan Drifter	1500	KA-1596	KN-204	ER5	500	KA-0018	KN-303
		KA-1596	KN-204C			KA-0018	KN-303C
VN1500 Vulcan Nomad	1500	KA-1596	KN-204	EX250R Ninja	250	KA-2586	KN-401
		KA-1596	KN-204C	EX500R Ninja	500	KA-5087	KN-303
W650	650		KN-204			KA-5087	KN-303C
			KN-204C	GPX600R	600		KN-401
ZG1000 Concours	1000	KA-9084	KN-401	GPZ500S	500		KN-303
ZG1200 Voyager XII	1185		KN-401				KN-303C
ZR7	750	KA-0850	KN-401	GPZ900R	900	KA-9084	KN-401
ZR550 Zephyr	550	KA-0850	KN-401	GPZ1100	1100		KN-401
ZR750 Zephyr	750	KA-0850	KN-401	GT550	550		KN-401
ZR1100 Zephyr	1100	KA-0006	KN-401	KAF300 Mule 550	300	KA-4093	KN-128
		KA-1192	KN-401	KAF620 Mule 2500	620	KA-4093	KN-128
ZR1100 Zephyr RS	1100	KA-0006	KN-401	KAF620 Mule 2510 4x4	620	KA-4093	KN-128
		KA-1192	KN-401	KAF620 Mule 2520	620	KA-4093	KN-128
ZRX400	400		KN-303	KDX200	200	KA-1287	
			KN-303C	KDX220R	220	KA-1287	
ZRX1100	1100	KA-1199	KN-401	KEF300 Lakota	290	KA-2587	KN-123
ZX6 Ninja	600		KN-303	KL250 Super Sherpa	250		KN-112
			KN-303C	KLE500	500		KN-303
ZX6 Ninja	600 - exc. OE filter w/hole	KA-6093	KN-303				KN-303C
ZX6R Ninja	600	KA-6098	KN-303	KLF220 Bayou	215	KA-2288	KN-123
		KA-6098	KN-303C	KLF300 Bayou 2x4	290	KA-4093	KN-123
ZX7R Ninja	750	KA-7596	KN-303	KLF300 Bayou 4x4	300	KA-4093	KN-123
		KA-7596	KN-303C	KLF400 Bayou 4x4	392	KA-4093	KN-303
ZX7RR Ninja	750		KN-303			KA-4093	KN-303C
			KN-303C	KLR250	250		KN-123
ZX9R Ninja	900	KA-9098	KN-303	KLR650	650	KA-6589	KN-123
		KA-9098	KN-303C	KLX250 D-Tracker	250	KA-1287	KN-112
ZX11 Ninja	1100	KA-1093	KN-401	KLX300R	300	KA-1287	KN-112
ZX750	750		KN-303	KLX650R	650		KN-123
			KN-303C	KSF250 Mojave	249	KA-2587	KN-123
ZXR400L	400	KA-4091	KN-303	KVF400 Prairie 2x4	392	KA-4093	KN-303
				KVF400 Prairie 4x4	400	KA-4093	KN-303C
						KA-4093	KN-303
				KX60	60	KA-6085	
				KX80	80	KA-8088	
				KX100	100	KA-8088	

\*Indicates 2 filters required

◆ - Intake kit available

Applications updated daily at [knfilters.com](http://knfilters.com) ®

# AIR & OIL FILTERS

# KAWASAKI

Vehicle	Engine Type	Air Filter	Oil Filter	Vehicle	Engine Type	Air Filter	Oil Filter
<b>1998 KAWASAKI</b>				<b>1998 KAWASAKI</b>			
KX125	125	KA-1297		ZZR1100	1100	KA-1093	KN-401
KX250	250	KA-1297		<b>1997 KAWASAKI</b>			
KX500	500	KA-1287		BJ250 Estrella	250		KN-123
KZ1000P Police	998	KA-1600	KN-401	BJ250 Estrella Custom	250		KN-123
VN250 Eliminator V	250		KN-303	BJ250 Estrella RS	250		KN-123
VN400 Vulcan	400	KA-8095	KN-303C	BJ250 Estrella RS Custom	250		KN-123
VN750 Vulcan	732	KA-8095	KN-303	EL250 Eliminator	250		KN-401
VN800 Vulcan	800	KA-8095	KN-202	EN500 Vulcan LTD	500	KA-5096	KN-303
VN800 Vulcan Classic	800	KA-8095	KN-303	ER5	500	KA-5096	KN-303C
VN1500 Vulcan	1500	KA-8095	KN-303C	EX250R Ninja	250	KA-0018	KN-303
VN1500 Vulcan 88	1500	KA-1594	KN-303	EX500R Ninja	500	KA-0018	KN-303C
VN1500 Vulcan Classic	1500	KA-1594	KN-303C	GPX600R	600	KA-2586	KN-401
VN1500 Vulcan Classic	1500	KA-1596	KN-303	GPZ500S	500	KA-5087	KN-303
VN1500 Vulcan Classic Tourer	1500	KA-1596	KN-303C	GPZ1100	1100	KA-5087	KN-303C
VN1500 Vulcan Classic Tourer	1500		KN-303	GPZ1100 ABS	1100		KN-401
VN1500 Vulcan Nomad	1500	KA-1596	KN-303C	GT550	550		KN-401
ZG1000 Concours	1000	KA-9084	KN-401	KAF300 Mule 550	300	KA-4093	KN-128
ZG1200 Voyager XII	1185		KN-401	KAF620 Mule 2500	620	KA-4093	KN-128
ZL600 Eliminator	600		KN-401	KAF620 Mule 2510 4x4	620	KA-4093	KN-128
ZR250 Balius II	250		KN-204	KAF620 Mule 2520	620	KA-4093	KN-128
ZR400 Zephyr X	400	KA-0850	KN-204C	KDX200	200	KA-1287	
ZR550 Zephyr	550	KA-0850	KN-401	KDX220R	220	KA-1287	
ZR750 Zephyr	750	KA-0850	KN-401	KEF300 Lakota	290	KA-2587	KN-123
ZRX400	400		KN-303	KL250 Super Sherpa	250		KN-112
ZRX1100	1100	KA-1199	KN-303C	KLE500	500		KN-303
ZX6 Ninja	600		KN-303	KLF220 Bayou	215	KA-2288	KN-123
ZX6 Ninja	600 - exc. OE filter w/whole	KA-6093	KN-303	KLF300 Bayou 4x4	300	KA-4093	KN-123
ZX6R Ninja	600	KA-6098	KN-303C	KLF400 Bayou 4x4	392	KA-4093	KN-303
ZX7R Ninja	750	KA-7596	KN-303	KLR250	250	KA-4093	KN-303C
ZX7RR Ninja	750	KA-7596	KN-303C	KLR650	650	KA-6589	KN-123
ZX9R Ninja	900	KA-9098	KN-401	KLX250R	250		KN-112
ZX11 Ninja	1100	KA-9098	KN-303	KLX300R	300	KA-1287	KN-112
ZX750	750	KA-1093	KN-303	KLX650C	650		KN-123
ZXR400L	400	KA-4091	KN-303C	KLX650R	650	KA-1287	KN-123
ZZR250	250	KA-4091	KN-303	KSF250 Mojave	249	KA-2587	KN-123
ZZR400	400	KA-6093	KN-303	KVF400 Prairie 4x4	392	KA-4093	KN-303
ZZR600	600	KA-6093	KN-303C	KX60	60	KA-4093	KN-303C
ZZR600	600 - exc. OE filter w/whole	KA-6093	KN-303	KX80	80	KA-6085	
				KX100	100	KA-8088	
				KX125	125	KA-1297	
				KX250	250	KA-1297	
				KX500	500	KA-1287	
				KZ1000P Police	998	KA-1600	KN-401
				VN250 Eliminator V	250		KN-303
				VN400 Vulcan	400	KA-8095	KN-303C
				VN750 Vulcan	732	KA-8095	KN-303
				VN800 Vulcan	800	KA-8095	KN-202
				VN800 Vulcan Classic	800	KA-8095	KN-303
				VN800 Vulcan Classic	800	KA-8095	KN-303
						KA-8095	KN-303C

\*Indicates 2 filters required      ♦ - Intake kit available      Applications updated daily at [knfilters.com](http://knfilters.com) ®

**Partial Listing - Complete List of Vehicles and Applications at [knfilters.com](http://knfilters.com)**

# KAWASAKI

# AIR & OIL FILTERS

Vehicle	Engine Type	Air Filter	Oil Filter	Vehicle	Engine Type	Air Filter	Oil Filter
<b>1997 KAWASAKI</b>				<b>1996 KAWASAKI</b>			
VN1500 Vulcan	1500	KA-1594	KN-303	EX500 Ninja	500	KA-5087	KN-303
		KA-1594	KN-303C			KA-5087	KN-303C
VN1500 Vulcan 88	1500		KN-303	GPX600R	600		KN-401
			KN-303C	GPZ500S	500		KN-303
VN1500 Vulcan Classic	1500	KA-1596	KN-303				KN-303C
		KA-1596	KN-303C	GPZ900R	900		KN-401
				GPZ1100	1100		KN-401
VN1500 Vulcan L	1500	KA-1594	KN-303	GPZ1100 ABS	1100		KN-401
		KA-1594	KN-303C	GT550	550		KN-401
VN1500 Vulcan VV	1500		KN-303	KDX200	200	KA-1287	
			KN-303C	KEF300 Lakota	290	KA-2587	KN-123
ZG1000 Concours	1000	KA-9084	KN-401	KLE500	500		KN-303
ZG1200 Voyager XII	1185		KN-401				KN-303C
ZL600 Eliminator	600		KN-401	KLF220 Bayou	215	KA-2288	KN-123
ZR250 Balius II	250		KN-204	KLF300 Bayou 2x4	290	KA-4093	KN-123
			KN-204C	KLF300 Bayou 4x4	300	KA-4093	KN-123
ZR400 Zephyr X	400	KA-0850	KN-401	KLF400 Bayou 4x4	392	KA-4093	KN-303
ZR550 Zephyr	550	KA-0850	KN-401			KA-4093	KN-303C
ZR750 Zephyr	750	KA-0850	KN-401	KLR250	250		KN-123
ZR1100 Zephyr RS	1100	KA-0006	KN-401	KLR650	650	KA-6589	KN-123
		KA-1192	KN-401	KLX250R	250	KA-1287	KN-112
ZRX1100	1100	KA-1199	KN-401	KLX300R	300	KA-1287	KN-112
ZX6 Ninja	600		KN-303	KLX650C	650	KA-6589	KN-123
			KN-303C	KLX650D	650	KA-1287	KN-123
ZX6 Ninja	600 - exc. OE filter w/whole	KA-6093	KN-303	KLX650R	650	KA-1287	KN-123
ZX6R Ninja	600	KA-6095	KN-303	KSF250 Mojave	249	KA-2587	KN-123
		KA-6095	KN-303C	KX60	60	KA-6085	
ZX7R Ninja	750	KA-7596	KN-303	KX80	80	KA-8088	
		KA-7596	KN-303C	KX500	500	KA-1287	
ZX7RR Ninja	750	KA-7596	KN-303	KZ1000P Police	998	KA-1600	KN-401
		KA-7596	KN-303C	VN400 Vulcan	400	KA-8095	KN-303
ZX9R Ninja	900	KA-9094	KN-303			KA-8095	KN-303C
		KA-9094	KN-303C	VN800 Vulcan	800	KA-8095	KN-303
ZX11 Ninja	1100	KA-1093	KN-401	VN800 Vulcan Classic	800	KA-8095	KN-303
ZX600R Ninja	600	KA-7587	KN-401			KA-8095	KN-303C
ZX750	750		KN-303				
			KN-303C	VN1500 Vulcan	1500	KA-1594	KN-303
ZXR400L	400	KA-4091	KN-303			KA-1594	KN-303C
		KA-4091	KN-303C	VN1500 Vulcan 88	1500		KN-303
ZZR400	400	KA-6093	KN-303				KN-303C
		KA-6093	KN-303C	VN1500 Vulcan Classic	1500	KA-1596	KN-303
ZZR600	600		KN-303			KA-1596	KN-303C
			KN-303C	VN1500 Vulcan L	1500	KA-1594	KN-303
ZZR600	600 - exc. OE filter w/whole	KA-6093	KN-303			KA-1594	KN-303C
ZZR1100	1100	KA-1093	KN-401	VN1500 Vulcan VV	1500		KN-303
							KN-303C
<b>1996 KAWASAKI</b>							
BJ250 Estrella	250		KN-123	ZG1000 Concours	1000	KA-9084	KN-401
BJ250 Estrella Custom	250		KN-123	ZL600 Eliminator	600		KN-401
BJ250 Estrella RS Custom	250		KN-123	ZR400 Zephyr X	400	KA-0850	KN-401
EL250 Eliminator	250		KN-401	ZR550 Zephyr	550	KA-0850	KN-401
EL250 Eliminator LX	250	KA-7587	KN-401	ZR750 Zephyr	750	KA-0850	KN-401
EL250 Eliminator SE	250	KA-7587	KN-401	ZR1100 Zephyr	1100		KN-401
EL252	250		KN-401	ZR1100 Zephyr RS	1100	KA-0006	KN-401
EN500 Vulcan	500	KA-5090	KN-303			KA-1192	KN-401
		KA-5090	KN-303C	ZRX400	400		KN-303
EN500 Vulcan LTD	500	KA-5096	KN-303				KN-303C
		KA-5096	KN-303C	ZRX1100	1100		KN-401
ER5	500		KN-303	ZX6 Ninja	600		KN-303
			KN-303C				KN-303C
EX250R Ninja	250	KA-2586	KN-401	ZX6 Ninja	600 - exc. OE filter w/whole	KA-6093	KN-303

\*Indicates 2 filters required

◆ - Intake kit available

Applications updated daily at [knfilters.com](http://knfilters.com) ®



# AIR & OIL FILTERS

# KAWASAKI

Vehicle	Engine Type	Air Filter	Oil Filter	Vehicle	Engine Type	Air Filter	Oil Filter
<b>1996 KAWASAKI</b>				<b>1995 KAWASAKI</b>			
ZX6R Ninja	600	KA-6095	KN-303	VN800 Vulcan	800	KA-8095	KN-303
		KA-6095	KN-303C			KA-8095	KN-303C
ZX7R Ninja	750	KA-7596	KN-303	VN1500 Vulcan	1500	KA-1594	KN-303
		KA-7596	KN-303C			KA-1594	KN-303C
ZX7RR Ninja	750	KA-7596	KN-303	VN1500 Vulcan 88	1500		KN-303
		KA-7596	KN-303C				KN-303C
ZX9R Ninja	900	KA-9094	KN-303	VN1500 Vulcan VV	1500		KN-303
		KA-9094	KN-303C				KN-303C
ZX11 Ninja	1100	KA-1093	KN-401	ZG1000 Concours	1000	KA-9084	KN-401
ZX600R Ninja	600	KA-7587	KN-401	ZG1200 Voyager XII	1185		KN-401
ZX750	750		KN-303	ZL400 Eliminator	400		KN-401
			KN-303C	ZL600 Eliminator	600		KN-401
ZXR400L	400	KA-4091	KN-303	ZR400 Xanthus	400		KN-303
		KA-4091	KN-303C				KN-303C
ZZR400	400	KA-6093	KN-303	ZR550 Zephyr	550	KA-0850	KN-401
		KA-6093	KN-303C	ZR750 Zephyr	750	KA-0850	KN-401
ZZR600	600		KN-303	ZR1100 Zephyr	1100	KA-0006	KN-401
			KN-303C			KA-1192	KN-401
ZZR600	600 - exc. OE filter w/whole	KA-6093	KN-303	ZRX400	400		KN-303
ZZR1100	1100	KA-1093	KN-401	ZX6 Ninja	600		KN-303C
<b>1995 KAWASAKI</b>							KN-303
BJ250 Estrella	250		KN-123	ZX6 Ninja	600 - exc. OE filter w/whole	KA-6093	KN-303
BJ250 Estrella RS	250		KN-123	ZX6R Ninja	600	KA-6095	KN-303
EL250 Eliminator	249		KN-401			KA-6095	KN-303C
EN500 Vulcan	500	KA-5090	KN-303	ZX7 Ninja	750	KA-0007	KN-303
		KA-5090	KN-303C			KA-0007	KN-303C
EX250R Ninja	250	KA-2586	KN-401	ZX9R Ninja	900	KA-9094	KN-303
EX500 Ninja	500	KA-5087	KN-303			KA-9094	KN-303C
		KA-5087	KN-303C	ZX11 Ninja	1100	KA-1093	KN-401
GPX600R	600		KN-401	ZX600R Ninja	600	KA-7587	KN-401
GPZ500S	500		KN-303	ZX750	750		KN-303
			KN-303C				KN-303C
GPZ900R	900		KN-401	ZXR400L	400	KA-4091	KN-303
GPZ1100	1100		KN-401			KA-4091	KN-303C
GT550	539		KN-401	ZXR750R	750		KN-303
KAF300 Mule 500	300	KA-4093	KN-128				KN-303C
KAF620 Mule 2500	620	KA-4093	KN-128	ZZR400	400	KA-6093	KN-303
KAF620 Mule 2510 4x4	620	KA-4093	KN-128			KA-6093	KN-303C
KAF620 Mule 2520	620	KA-4093	KN-128	ZZR600	600		KN-303
KDX200	200	KA-1287					KN-303C
KEF300 Lakota	290	KA-2587	KN-123	ZZR600	600 - exc. OE filter w/whole	KA-6093	KN-303
KLE500	500		KN-303	ZZR1100	1100	KA-1093	KN-401
			KN-303C	<b>1994 KAWASAKI</b>			
KLF220 Bayou	215	KA-2288	KN-123	BJ250 Estrella	250		KN-123
KLF300 Bayou 2x4	290	KA-4093	KN-123	EL250 Eliminator	249		KN-401
KLF300 Bayou 4x4	300	KA-4093	KN-123	EL250 Eliminator LX	250	KA-7587	KN-401
KLF400 Bayou 4x4	392	KA-4093	KN-303	EL250 Eliminator SE	250	KA-7587	KN-401
		KA-4093	KN-303C	EN500 Vulcan	500	KA-5090	KN-303
KLR250	250		KN-123			KA-5090	KN-303C
KLR650	650	KA-6589	KN-123	EX250R Ninja	250	KA-2586	KN-401
KLX250R	250	KA-1287	KN-112	EX500 Ninja	500	KA-5087	KN-303
KLX650C	650	KA-6589	KN-123			KA-5087	KN-303C
KLX650R	650	KA-1287	KN-123	GPX600R	600		KN-401
KSF250 Mojave	249	KA-2587	KN-123	GPZ500S	500		KN-303
KX60	60	KA-6085					KN-303C
KX80	80	KA-8088		GPZ900R	900		KN-401
KX100	100	KA-8088		GT550	539		KN-401
KX500	500	KA-1287		KAF620 Mule 2500	620	KA-4093	KN-128
KZ1000P Police	998	KA-1600	KN-401	KDX200	200	KA-1287	
VN400 Vulcan	400	KA-8095	KN-303	KDX250	246	KA-1287	
		KA-8095	KN-303C	KDX250SR	246	KA-1287	
VN750 Vulcan	732	KA-7586	KN-202				

\*Indicates 2 filters required    ♦ - Intake kit available    Applications updated daily at [knfilters.com](http://knfilters.com) ®

**Partial Listing - Complete List of Vehicles and Applications at [knfilters.com](http://knfilters.com)**

# KAWASAKI

# AIR & OIL FILTERS

Vehicle	Engine Type	Air Filter	Oil Filter	Vehicle	Engine Type	Air Filter	Oil Filter
<b>1994 KAWASAKI</b>				<b>1993 KAWASAKI</b>			
KLE500	500		KN-303	EL250 Eliminator LX	250	KA-7587	KN-401
			KN-303C	EN500 Vulcan	500	KA-5090	KN-303
KLF220 Bayou	215	KA-2288	KN-123			KA-5090	KN-303C
KLF300 Bayou 4x4	300	KA-4093	KN-123	EX250R Ninja	250	KA-2586	KN-401
KLF400 Bayou 4x4	392	KA-4093	KN-303	EX500	500	KA-5087	KN-303
		KA-4093	KN-303C			KA-5087	KN-303C
KLR250	250		KN-123	GPX600R	600		KN-401
KLR650	650	KA-6589	KN-123	GPZ500S	500		KN-303
KLX250R	250	KA-1287	KN-112				KN-303C
KLX650C	650	KA-6589	KN-123	GPZ900R	900	KA-9084	KN-401
KLX650R	650	KA-1287	KN-123	GT550	539		KN-401
KSF250 Mojave	249	KA-2587	KN-123	KAF300 Mule 500	300	KA-4093	KN-128
KX80	80	KA-8088		KAF620 Mule 2510 4x4	620	KA-4093	KN-128
KX500	500	KA-1287		KAF620 Mule 2520	620	KA-4093	KN-128
KZ1000P Police	998	KA-1600	KN-401	KDX200	200	KA-1287	
VN750 Vulcan	732	KA-7586	KN-202	KDX250	246	KA-1287	
VN750 Vulcan	745	KA-7586	KN-202	KDX250SR	246	KA-1287	
VN1500 Vulcan	1500	KA-1594	KN-303	KLE500	500		KN-303
		KA-1594	KN-303C				KN-303C
VN1500 Vulcan VV	1500		KN-303	KLF220 Bayou	215	KA-2288	KN-123
			KN-303C	KLF300 Bayou 4x4	300	KA-4093	KN-123
ZG1000 Concours	1000	KA-9084	KN-401	KLF400 Bayou 4x4	392	KA-4093	KN-303
ZL400 Eliminator	400		KN-401			KA-4093	KN-303C
ZR400 Xanthus	400		KN-303			KA-4093	KN-123
			KN-303C	KLR250	250		
ZR400 Zephyr	400	KA-0850	KN-401	KLR600	560	KA-0009	
ZR550 Zephyr	550	KA-0850	KN-401	KLR650	650	KA-6589	KN-123
ZR750 Zephyr	750	KA-0850	KN-401	KLX250R	250		KN-112
ZR1100 Zephyr	1100	KA-0006	KN-401	KLX650C	650	KA-6589	KN-123
		KA-1192	KN-401	KLX650R	650	KA-1287	KN-123
ZRX400	400		KN-303	KSF250 Mojave	249	KA-2587	KN-123
			KN-303C	KX80	80	KA-8088	
ZX6 Ninja	600		KN-303	KX500	500	KA-1287	
			KN-303C	KZ1000P Police	998	KA-1600	KN-401
ZX6 Ninja	600 - exc. OE filter w/hole	KA-6093	KN-303	VN750 Vulcan	732	KA-7586	KN-202
ZX7 Ninja	750	KA-0007	KN-303	VN750 Vulcan	745	KA-7586	KN-202
		KA-0007	KN-303C	VN1500 Vulcan	1500	KA-1594	KN-303
ZX7R Ninja	750	KA-0007	KN-303			KA-1594	KN-303C
		KA-0007	KN-303C	VN1500 Vulcan 88	1500		KN-303
ZX9R Ninja	900	KA-9094	KN-303				KN-303C
		KA-9094	KN-303C	VN1500 Vulcan Voyager	1500		KN-303
ZX11 Ninja	1100	KA-1093	KN-401				KN-303C
ZX600R Ninja	652	KA-7587	KN-401	ZG1000 Concours	1000	KA-9084	KN-401
ZX750	750		KN-303	ZG1200 Voyager XII	1185		KN-401
			KN-303C	ZG1200 Voyager XII	1198		KN-401
ZXR400L	400	KA-4091	KN-303	ZR400 Zephyr	400	KA-0850	KN-401
		KA-4091	KN-303C	ZR550 Zephyr	550	KA-0850	KN-401
ZXR400R	400	KA-4091	KN-303	ZR750 Zephyr	750	KA-0850	KN-401
		KA-4091	KN-303C	ZR1100 Zephyr	1100	KA-0006	KN-401
ZXR750R	750		KN-303			KA-1192	KN-401
			KN-303C	ZX6 Ninja	600		KN-303
ZZR400	400	KA-6093	KN-303				KN-303C
		KA-6093	KN-303C	ZX6 Ninja	600 - exc. OE filter w/hole	KA-6093	KN-303
ZZR500	500		KN-303	ZX7 Ninja	750	KA-0007	KN-303
			KN-303C			KA-0007	KN-303C
ZZR600	600		KN-303	ZX7R Ninja	750	KA-0007	KN-303
			KN-303C			KA-0007	KN-303C
ZZR600	600 - exc. OE filter w/hole	KA-6093	KN-303	ZX11 Ninja	1100	KA-1093	KN-401
			KN-303	ZX11C Ninja	1198	KA-0004	KN-401
ZZR1100	1100	KA-1093	KN-401	ZX600R Ninja	652	KA-7587	KN-401
				ZX750	750		KN-303
<b>1993 KAWASAKI</b>							KN-303C
BJ250 Estrella	250		KN-123				
EL250 Eliminator	249		KN-401				

\*Indicates 2 filters required

◆ - Intake kit available

Applications updated daily at [knfilters.com](http://knfilters.com) ®

# AIR & OIL FILTERS

# KAWASAKI

Vehicle	Engine Type	Air Filter	Oil Filter	Vehicle	Engine Type	Air Filter	Oil Filter
<b>1993 KAWASAKI</b>				<b>1992 KAWASAKI</b>			
ZXR250	250		KN-303	ZR1100 Zephyr	1100	KA-1192	KN-401
ZXR400L	400	KA-4091	KN-303C	ZX6 Ninja	600		KN-303
ZXR400R	400	KA-4091	KN-303C	ZX7 Ninja	750		KN-303C
ZXR750R	750	KA-4091	KN-303C	ZX7R Ninja	750		KN-303
ZZR250	250		KN-303C	ZX11C Ninja	1198	KA-0004	KN-303C
ZZR400	400	KA-6093	KN-401	ZX550 GPZ	550		KN-401
ZZR500	500	KA-6093	KN-303	ZX600R Ninja	652	KA-7587	KN-401
ZZR600	600		KN-303C	ZXR250	250		KN-303
ZZR600	600 - exc. OE filter w/whole	KA-6093	KN-303C	ZXR400L	400	KA-4091	KN-303C
ZZR1100	1100	KA-1093	KN-303	ZXR400R	400	KA-4091	KN-303
<b>1992 KAWASAKI</b>				<b>1991 KAWASAKI</b>			
BJ250 Estrella	250		KN-303	ZZR250	250	KA-4091	KN-303C
EL250 Eliminator	249		KN-401	ZZR500	500		KN-303
EN500 Vulcan	500	KA-5090	KN-303	ZZR600	600		KN-303C
EX250R Ninja	250	KA-5090	KN-303C	ZZR1100	1100	KA-0004	KN-401
EX500	500	KA-2586	KN-401	<b>1991 KAWASAKI</b>			
GPX600R	600	KA-5087	KN-303	EL250 Eliminator	249		KN-401
GPZ500S	500	KA-5087	KN-303C	EN500 Vulcan	500	KA-5090	KN-303
GPZ900R	900	KA-9084	KN-401			KA-5090	KN-303C
GT550	539		KN-401	EX250R Ninja	250	KA-2586	KN-401
KDX200	200	KA-1287		EX500	500	KA-5087	KN-303
KDX250	246	KA-1287				KA-5087	KN-303C
KDX250SR	246	KA-1287		GPX600R	600		KN-401
KL650 Tengai	652		KN-123	GPZ500S	500		KN-303
KLE500	500		KN-303				KN-303C
			KN-303C	GPZ900R	900	KA-9084	KN-401
KLF220 Bayou	215	KA-2288	KN-123	GT550	539		KN-401
KLF300 Bayou 4x4	300	KA-4093	KN-123	KAF300 Mule 500	300	KA-4093	KN-128
KLR250	250		KN-123	KAF540 Mule 2030	540		KN-303
KLR600	560	KA-0009					KN-303C
KLR650	650	KA-6589	KN-123	KDX200	200	KA-1287	KN-123
KLX250R	250		KN-112	KDX250	246	KA-1287	KN-123
KSF250 Mojave	249	KA-2587	KN-123	KDX250SR	246	KA-1287	KN-123
KX80	80	KA-8088		KL650 Tengai	652	KA-6589	KN-123
KX500	500	KA-1287		KLE500	500		KN-303
KZ1000P Police	998	KA-1600	KN-401				KN-303C
VN750 Vulcan	745	KA-7586	KN-202	KLF220 Bayou	215	KA-2288	KN-123
VN1500 Vulcan	1500	KA-1594	KN-303	KLF300 Bayou 4x4	300	KA-4093	KN-123
		KA-1594	KN-303C	KLR250	250		KN-123
VN1500 Vulcan 88	1500		KN-303	KLR600	560	KA-0009	KN-123
			KN-303C	KLR650	650	KA-6589	KN-123
VN1500 Vulcan Voyager	1500		KN-303	KLX250	250		KN-112
			KN-303C	KLX250R	250		KN-112
ZG1000 Concours	1000	KA-9084	KN-401	KSF250 Mojave	249	KA-2587	KN-123
ZG1200 Voyager XII	1198		KN-401	KX80	80	KA-8088	
ZR400 Xanthus	400		KN-303	KX500	500	KA-1287	
			KN-303C	KZ1000P Police	998	KA-1600	KN-401
ZR400 Zephyr	400	KA-0850	KN-401	VN750 Vulcan	745	KA-7586	KN-202
ZR550 Zephyr	550	KA-0850	KN-401	VN1500 Vulcan	1500	KA-1594	KN-303
ZR750 Zephyr	750	KA-0850	KN-401			KA-1594	KN-303C
ZR1100 Zephyr	1100	KA-0006	KN-401	VN1500 Vulcan 88	1500		KN-303
							KN-303C
				VN1500 Vulcan Voyager	1500		KN-303
							KN-303C
				ZG1000 Concours	1000	KA-9084	KN-401

\*Indicates 2 filters required      ♦ - Intake kit available      Applications updated daily at [knfilters.com](http://knfilters.com) ®

**Partial Listing - Complete List of Vehicles and Applications at [knfilters.com](http://knfilters.com)**

# KAWASAKI

# AIR & OIL FILTERS

Vehicle	Engine Type	Air Filter	Oil Filter	Vehicle	Engine Type	Air Filter	Oil Filter
<b>1991 KAWASAKI</b>				<b>1990 KAWASAKI</b>			
ZG1200 Voyager XII	1198		KN-401	ZG1000 Concours	1000	KA-9084	KN-401
ZR400 Zephyr	400	KA-0850	KN-401	ZG1200 Voyager XII	1198		KN-401
ZR550 Zephyr	550	KA-0850	KN-401	ZR400 Zephyr	400	KA-0850	KN-401
ZR750 Zephyr	750	KA-0850	KN-401	ZR550 Zephyr	550	KA-0850	KN-401
ZR1100 Zephyr	1100		KN-401	ZX4	400		KN-303
ZX6 Ninja	600		KN-303				KN-303C
			KN-303C	ZX6 Ninja	600		KN-303
ZX7 Ninja	750		KN-303				KN-303C
			KN-303C	ZX7 Ninja	750	KA-7589	KN-401
ZX7R Ninja	750		KN-303	ZX10 Ninja	1000	KA-1088	KN-401
			KN-303C	ZX11C Ninja	1198	KA-0004	KN-401
ZX11C Ninja	1198	KA-0004	KN-401	ZX550 GPZ	550		KN-401
ZX550 GPZ	550		KN-401	ZX600R Ninja	652	KA-7587	KN-401
ZX600R Ninja	652	KA-7587	KN-401	ZX750	750		KN-401
ZXR250	250		KN-303	ZX750 Ninja	750	KA-7587	KN-401
			KN-303C	ZX1000 Ninja	1000	KA-1088	KN-401
ZXR400L	400	KA-4091	KN-303	ZXR400	400	KA-4010	
		KA-4091	KN-303C	ZXR400R	400		KN-303
ZXR400R	400	KA-4091	KN-303				KN-303C
		KA-4091	KN-303C	ZXR750	737	KA-7589	KN-303
ZZR250	250		KN-401			KA-7589	KN-303C
ZZR500	500		KN-303	ZXR750	750		KN-401
			KN-303C	ZZR250	250		KN-401
ZZR600	600		KN-303	ZZR500	500		KN-303
			KN-303C				KN-303C
ZZR1100	1100	KA-0004	KN-401	ZZR600	600		KN-303
							KN-303C
<b>1990 KAWASAKI</b>				<b>1989 KAWASAKI</b>			
EL250 Eliminator	249		KN-401	ZZR1100	1100	KA-0004	KN-401
EL250 Eliminator LX	250	KA-7587	KN-401	<b>1989 KAWASAKI</b>			
EL250 Eliminator SE	250	KA-7587	KN-401	EL250 Eliminator	250	KA-7587	KN-401
EN450	450		KN-202	EL250 Eliminator LX	250	KA-7587	KN-401
EN500 Vulcan	500	KA-5090	KN-303	EL250 Eliminator SE	250	KA-7587	KN-401
		KA-5090	KN-303C	EN450	450		KN-202
EX250R Ninja	250	KA-2586	KN-401	EX250R Ninja	250	KA-2586	KN-401
EX500	500	KA-5087	KN-303	EX400	400		KN-202
		KA-5087	KN-303C	EX500	500	KA-5087	KN-202
GPX600R	600		KN-401	GPX600R	600		KN-401
GPZ500S	500		KN-303	GPX750R	750	KA-7587	KN-401
			KN-303C	GPZ400R	400	KA-0850	KN-401
GPZ900R	900		KN-401	GPZ500S	500		KN-202
GT550	539		KN-401	GPZ600R	600		KN-401
KAF540 Mule 2010	540		KN-303	GPZ750	750		KN-401
			KN-303C	GPZ900R	900		KN-401
KDX200	200	KA-1287		GPZ1000RX	1000		KN-401
KL600	600		KN-123	GT550	550		KN-401
KL650 Tengai	652	KA-6589	KN-123	KDX200	200	KA-1287	
KLF220 Bayou	215	KA-2288	KN-123	KL600	600		KN-123
KLF300 Bayou 4x4	300	KA-4093	KN-123	KL650 Tengai	650		KN-123
KLR250	250		KN-123	KLF220 Bayou	215	KA-2288	KN-123
KLR600	560	KA-0009	KN-123	KLF300 Bayou 4x4	300	KA-4093	KN-123
KLR650	650	KA-6589	KN-123	KLR250	250		KN-123
KLX250	250		KN-112	KLR600	600	KA-0009	KN-123
KSF250 Mojave	249	KA-2587	KN-123	KLR650	650	KA-6589	KN-123
KX500	500	KA-1287		KSF250 Mojave	249	KA-2587	KN-123
KZ1000P Police	998	KA-1600	KN-401	KX125	125	KA-1287	
VN750 Vulcan	745	KA-7586	KN-202	KX250	250	KA-1287	
VN1500 Vulcan	1500	KA-1594	KN-303	KX500	500	KA-1287	
		KA-1594	KN-303C	KZ1000P Police	998	KA-1600	KN-401
VN1500 Vulcan 88	1500		KN-303	VN750 Vulcan	745	KA-7586	KN-202
			KN-303C	VN1500 Vulcan	1500	KA-1594	KN-303
VN1500 Vulcan Voyager	1500		KN-303			KA-1594	KN-303C
			KN-303C	VN1500 Vulcan 88	1500		KN-303
							KN-303C

\*Indicates 2 filters required

◆ - Intake kit available

Applications updated daily at [knfilters.com](http://knfilters.com) ®

# AIR & OIL FILTERS

# KAWASAKI

Vehicle	Engine Type	Air Filter	Oil Filter	Vehicle	Engine Type	Air Filter	Oil Filter
<b>1989 KAWASAKI</b>				<b>1988 KAWASAKI</b>			
VN1500 Vulcan 88 SE	1500	KA-1594	KN-303	ZG1000 Concours	1000	KA-9084	KN-401
		KA-1594	KN-303C	ZG1200 Voyager XII	1198		KN-401
VN1500 Vulcan Voyager	1500		KN-303	ZL1000 Eliminator	1000		KN-401
			KN-303C	ZN1300 Voyager	1300	KA-0883	KN-126
ZG1000 Concours	1000	KA-9084	KN-401	ZX4	400		KN-303
ZG1200 Voyager XII	1198		KN-401				KN-303C
ZR400 Zephyr	400	KA-0850	KN-401	ZX10 Ninja	1000	KA-1088	KN-401
ZX4	400		KN-303	ZX550 GPZ	550		KN-401
			KN-303C	ZX600 Ninja	652	KA-7587	KN-401
ZX7 Ninja	750	KA-7589	KN-303	ZX750	750		KN-401
		KA-7589	KN-303C	ZX750 Ninja	750	KA-7587	KN-401
ZX10 Ninja	1000	KA-1088	KN-401	ZX1000 Ninja	1000	KA-1088	KN-401
ZX550 GPZ	550		KN-401	ZXR400R	400		KN-303
ZX600 Ninja	652	KA-7587	KN-401				KN-303C
ZX750	750		KN-401	ZXR750	750	KA-7589	KN-303
ZX750 Ninja	750	KA-7587	KN-401			KA-7589	KN-303C
ZX1000 Ninja	1000	KA-1088	KN-401	<b>1987 KAWASAKI</b>			
ZXR400R	400		KN-303	EN450	450		KN-202
			KN-303C	EX250R Ninja	250	KA-2586	KN-401
ZXR750	750	KA-7589	KN-303	EX500	500	KA-5087	KN-202
		KA-7589	KN-303C	GPX750R	750	KA-7587	KN-401
<b>1988 KAWASAKI</b>				GPZ500S	500		KN-202
EL250 Eliminator	250	KA-7587	KN-401	GPZ600R	600		KN-401
EL250 Eliminator SE	250	KA-7587	KN-401	GPZ750	750		KN-401
EN450	450		KN-202	GPZ750R	750		KN-401
EX250R Ninja	250	KA-2586	KN-401	GPZ900R	900		KN-401
EX500	500	KA-5087	KN-202	GPZ1000RX	1000	KA-0002	KN-401
GPX600R	600		KN-401	GT550	550		KN-401
GPX750R	750	KA-7587	KN-401	KLR250	250		KN-123
GPZ500S	500		KN-202	KLR600	600		KN-123
GPZ600R	600		KN-401	KLR650	650	KA-6589	KN-123
GPZ750	750		KN-401	KSF250 Mojave	249	KA-2587	KN-123
GPZ750R	750		KN-401	KX125	125	KA-1287	KN-123
GPZ900R	900		KN-401	KX250	250	KA-1287	
GPZ1000RX	1000		KN-401	KX500	500	KA-1287	
KAF450 Mule 1000	450		KN-303	KXF250 Tecate 4	250	KA-1780	
			KN-303C	KXT250 Tecate	250	KA-1780	
KL600	600		KN-123	KZ1000P Police	998	KA-1600	KN-401
KLF220 Bayou	215	KA-2288	KN-123	VN750 Vulcan	745	KA-7586	KN-202
KLR250	250		KN-123	VN1500 Vulcan	1500	KA-1594	KN-303
KLR600	600	KA-0009	KN-123			KA-1594	KN-303C
KLR650	650	KA-6589	KN-123	VN1500 Vulcan 88	1500		KN-303
KSF250 Mojave	249	KA-2587	KN-123				KN-303C
KX125	125	KA-1287		VN1500 Vulcan 88 SE	1500	KA-1594	KN-303
KX250	250	KA-1287				KA-1594	KN-303C
KX500	500	KA-1287		VN1500 Vulcan Voyager	1500		KN-303
KXF250 Tecate 4	250	KA-1780					KN-303C
KZ1000P Police	998	KA-1600	KN-401	Z750	750		KN-401
VN750 Vulcan	745	KA-7586	KN-202	ZG1000 Concours	1000	KA-9084	KN-401
VN1500 Vulcan	1500	KA-1594	KN-303	ZG1200 Voyager XII	1198		KN-401
		KA-1594	KN-303C	ZL600	600		KN-401
VN1500 Vulcan 88	1500		KN-303C	ZL1000 Eliminator	1000	KA-9084	KN-401
			KN-303	ZN1300 Voyager	1300	KA-0883	KN-126
VN1500 Vulcan 88 SE	1500	KA-1594	KN-303	ZX600 Ninja	652	KA-0850	KN-401
		KA-1594	KN-303C	ZX750	750		KN-401
VN1500 Vulcan Voyager	1500		KN-303	ZX750 Ninja	750	KA-7587	KN-401
			KN-303C	ZX1000R Ninja	1000	KA-0002	KN-401
<b>1986 KAWASAKI</b>				<b>1986 KAWASAKI</b>			
			KN-303	EN450	450		KN-202
			KN-303C	EX250R Ninja	250	KA-2586	KN-401
			KN-303	GPX750R	750		KN-401
			KN-303C	GPZ400R	400		KN-401
			KN-303	GPZ600R	600		KN-401
			KN-303C	GPZ750	750		KN-401
			KN-303	GPZ750R	750		KN-401

\*Indicates 2 filters required      ♦ - Intake kit available      Applications updated daily at [knfilters.com](http://knfilters.com) ®

**Partial Listing - Complete List of Vehicles and Applications at [knfilters.com](http://knfilters.com)**

# KAWASAKI

# AIR & OIL FILTERS

Vehicle	Engine Type	Air Filter	Oil Filter	Vehicle	Engine Type	Air Filter	Oil Filter
<b>1986 KAWASAKI</b>				<b>1984 KAWASAKI</b>			
GPZ900R	900		KN-401	KZ750K LTD Twin	750	KA-7500	KN-126
GPZ1000RX	1000	KA-0002	KN-401	KZ1000P Police	998	KA-1600	KN-401
KL600	600		KN-123	VN700 Vulcan	700		KN-202
KLR250	250		KN-123	Z400F	400		KN-401
KLR600	600		KN-123	Z400F2	400		KN-401
KXT250 Tecate	250	KA-1780		Z750	750		KN-401
KZ1000P Police	998	KA-1600	KN-401	Z1100	1100		KN-401
VN750 Vulcan	750	KA-7586	KN-202	ZN700 LTD	700	KA-7580	KN-401
Z750	750		KN-401	ZN1100B LTD	1100		KN-401
Z1100	1100		KN-401	ZN1300 Voyager	1300	KA-0883	KN-126
ZG1000 Concours	1000	KA-9084	KN-401	ZX550 GPZ	550	KA-0850	KN-401
ZG1200 Voyager XII	1198		KN-401	ZX750	750	KA-7583	KN-401
ZL600	600		KN-401	ZX750 Turbo	750		KN-401
ZL900 Eliminator	900	KA-9084	KN-401	ZX900 Ninja	900	KA-9084	KN-401
ZN1300 Voyager	1300	KA-0883	KN-126	<b>1983 KAWASAKI</b>			
ZX550 GPZ	550	KA-0850	KN-401	GPZ750	750	KA-7583	KN-401
ZX600 Ninja	652	KA-0850	KN-401	GPZ1100	1100	KA-1183	KN-401
ZX750	750		KN-401	GT550	550		KN-401
ZX900 Ninja	900	KA-9084	KN-401	KL250	250		KN-123
ZX1000R Ninja	1000	KA-0002	KN-401	KLT200	200		KN-123
<b>1985 KAWASAKI</b>				KLT250	250		KN-123
EN450	450		KN-202	KLT250 Prairie	250		KN-123
GPZ400R	400		KN-401	KZ250	250		KN-123
GPZ600R	600		KN-401	KZ400 M1	400		KN-401
GPZ750	750	KA-7583	KN-401	KZ440A	440		KN-401
GPZ750R	750		KN-401	KZ440D	440		KN-401
GPZ900R	900		KN-401	KZ550 Spectre	550	KA-0850	KN-401
GPZ1000RX	1000	KA-0002	KN-401	KZ550A	550	KA-0850	KN-401
GPZ1100	1100		KN-401	KZ550C LTD	550	KA-0850	KN-401
KL600	600		KN-123	KZ550H GP	550	KA-1700	KN-401
KLR250	250		KN-123	KZ650H CSR	650		KN-401
KLR600	600		KN-123	KZ650H CSR	650 - US	KA-7580	KN-401
KLT250 Prairie	250		KN-123	KZ750F LTD	750	KA-7583	KN-401
KZ1000P Police	998	KA-1600	KN-401	KZ750H LTD	750	KA-7580	KN-401
VN700 Vulcan	700		KN-202	KZ750K LTD Twin	750	KA-7500	KN-126
Z440 LTD	440		KN-401	KZ750L	750	KA-7583	KN-401
Z750	750		KN-401	KZ750N Spectre	750	KA-7583	KN-401
Z1100	1100		KN-401	KZ1000J	1000	KA-1600	KN-401
ZL900 Eliminator	900	KA-9084	KN-401	KZ1000P Police	998	KA-1600	KN-401
ZN700 LTD	700	KA-7580	KN-401	KZ1000R	1000	KA-1600	KN-401
ZN1100B LTD	1100		KN-401	KZ1100A	1100	KA-1600	KN-401
ZN1300 Voyager	1300	KA-0883	KN-126	KZ1100D Spectre	1100	KA-1600	KN-401
ZX550 GPZ	550	KA-0850	KN-401	KZ1100L LTD	1100	KA-1600	KN-401
ZX600 Ninja	652	KA-0850	KN-401	KZ1300	1300		KN-126
ZX750	750	KA-7583	KN-401	Z200	200		KN-123
ZX750 Turbo	750		KN-401	Z250 LTD	250		KN-123
ZX900 Ninja	900	KA-9084	KN-401	Z440	440		KN-401
ZX1000R Ninja	1000	KA-0002	KN-401	Z440 LTD	440		KN-401
<b>1984 KAWASAKI</b>				Z650	650		KN-401
GPZ750	750	KA-7583	KN-401	Z1000	1000		KN-303
GPZ900R	900		KN-401				KN-303C
GPZ1100	1100	KA-1183	KN-401	Z1100	1100		KN-401
GT550	550		KN-401	ZN1300 Voyager	1300	KA-0883	KN-126
KL250	250		KN-123	ZX550 GPZ	550		KN-401
KL600	600		KN-123	ZX750	750	KA-7583	KN-401
KLR600	600		KN-123	<b>1982 KAWASAKI</b>			
KLT200	200		KN-123	GPZ750	750	KA-7583	KN-401
KLT250 Police	250		KN-123	GPZ1100	1100		KN-401
KLT250 Prairie	250		KN-123	KL250	250		KN-123
KZ550 LTD	550	KA-0850	KN-401	KLT200	200		KN-123
KZ550 Spectre	550	KA-0850	KN-401	KLT250	250		KN-123
KZ550H GP	550		KN-401	KZ250	250		KN-123
KZ700	700	KA-7580	KN-401	KZ400J	400		KN-401

\*Indicates 2 filters required

◆ - Intake kit available

Applications updated daily at [knfilters.com](http://knfilters.com) ®

# AIR & OIL FILTERS

# KAWASAKI

Vehicle	Engine Type	Air Filter	Oil Filter	Vehicle	Engine Type	Air Filter	Oil Filter
<b>1982 KAWASAKI</b>				<b>1981 KAWASAKI</b>			
KZ440A	440		KN-401	Z440	440		KN-401
KZ440D	440		KN-401	Z440 LTD	440		KN-401
KZ440G	440		KN-401	Z500	500		KN-401
KZ550A	550	KA-0850	KN-401	Z550	550		KN-401
KZ550C LTD	550	KA-0850	KN-401	Z550 LTD	550		KN-401
KZ550H GP	550	KA-1700	KN-401	Z550F	550		KN-401
KZ650H CSR	650	KA-7580	KN-401	Z650	650		KN-401
KZ750E	750	KA-7580	KN-401	Z1000	1000		KN-303
KZ750H LTD	750	KA-7580	KN-401				KN-303C
KZ750M CSR Twin	750	KA-7500	KN-126	Z1000 LTD	1000		KN-303
KZ750N Spectre	750	KA-7583	KN-401				KN-303C
KZ1000J	1000	KA-1600	KN-401	Z1000A	1000		KN-126
KZ1000K LTD	1000	KA-1600	KN-401	Z1100	1100		KN-401
KZ1000M CSR	1000	KA-1600	KN-401	<b>1980 KAWASAKI</b>			
KZ1000P Police	998	KA-1600	KN-401	KL250	250		KN-123
KZ1000R	1000	KA-1600	KN-401	KLT200	200		KN-123
KZ1100A	1100	KA-1600	KN-401	KZ250	250		KN-123
KZ1100B GPz	1100		KN-401	KZ440A	440		KN-401
KZ1100D Spectre	1100	KA-1600	KN-401	KZ440B	440		KN-401
KZ1300	1300	KA-1350	KN-126	KZ440D	440		KN-401
Z200	200		KN-123	KZ550A	550	KA-0850	KN-401
Z250 LTD	250		KN-123	KZ550C LTD	550	KA-0850	KN-401
Z440	440		KN-401	KZ650E LTD	650	KA-1200	KN-401
Z440 LTD	440		KN-401	KZ650F	650	KA-1200	KN-401
Z550	550		KN-401	KZ650H CSR	650		KN-401
Z550 LTD	550		KN-401	KZ750E	750	KA-7580	KN-401
Z550F	550		KN-401	KZ750G LTD Twin	750	KA-7500	KN-126
Z650	650		KN-401	KZ750H LTD	750	KA-7580	KN-401
Z750	750		KN-401	KZ1000 LTD	1000	KA-8077	KN-126
Z750 LTD	750		KN-126	KZ1000 Police	998	KA-8077	KN-126
Z1000	1000		KN-303	KZ1000A	1000	KA-8077	KN-126
			KN-303C	KZ1000D Z1-R	1000	KA-8077	KN-126
Z1000 LTD	1000		KN-303	KZ1000E	1000	KA-1150	KN-126
			KN-303C	KZ1000G Classic	1000		KN-126
Z1100	1100		KN-401	KZ1300	1300	KA-1350	KN-126
ZX550 GPz	550		KN-401	KZ1300 Touring	1300	KA-1350	KN-126
<b>1981 KAWASAKI</b>				Z200	200		KN-123
GPZ550	550		KN-401	Z400 LTD	400		KN-401
GPZ1100	1100		KN-401	Z440	440		KN-401
KL250	250		KN-123	Z440 LTD	440		KN-401
KLT200	200		KN-123	Z500	500		KN-401
KZ250	250		KN-123	Z550	550		KN-401
KZ400J	400		KN-401	Z550F	550		KN-401
KZ440A	440		KN-401	Z650	650		KN-401
KZ440B	440		KN-401	Z650SR	650		KN-401
KZ440D	440		KN-401	Z750 LTD	750		KN-126
KZ550A	550	KA-0850	KN-401	Z1000 ST	1000		KN-126
KZ550C LTD	550	KA-0850	KN-401	<b>1979 KAWASAKI</b>			
KZ550D GP	550	KA-0850	KN-401	KL250	250		KN-123
KZ650H CSR	650	KA-7580	KN-401	KZ400B	400		KN-401
KZ750E	750	KA-7580	KN-401	KZ400H	400		KN-401
KZ750H LTD	750	KA-7580	KN-401	KZ650B	650	KA-1200	KN-401
KZ1000 LTD	1000		KN-126	KZ650C Custom	650	KA-1200	KN-401
KZ1000 Police	998	KA-8077	KN-126	KZ650D SR	650	KA-1200	KN-401
KZ1000A	1000		KN-126	KZ650H CSR	650		KN-401
KZ1000J	1000	KA-1600	KN-126	KZ750 Twin	750	KA-0750	KN-126
KZ1000K LTD	1000	KA-1600	KN-401	KZ1000 LTD	1000	KA-8077	KN-126
KZ1000M CSR	1000	KA-1600	KN-401	KZ1000 Police	998	KA-8077	KN-126
KZ1100A	1100	KA-1600	KN-401	KZ1000A	1000	KA-8077	KN-126
KZ1100B GPz	1100		KN-401	KZ1000D Z1-R	1000		KN-126
KZ1300	1300	KA-1350	KN-126	KZ1000E	1000	KA-1150	KN-126
Z200	200		KN-123	KZ1300	1300	KA-1350	KN-126
Z250 LTD	250		KN-123	Z200	200		KN-123

\*Indicates 2 filters required

◆ - Intake kit available

Applications updated daily at [knfilters.com](http://knfilters.com) ®

**Partial Listing - Complete List of Vehicles and Applications at [knfilters.com](http://knfilters.com)**

# KAWASAKI

# AIR & OIL FILTERS

Vehicle	Engine Type	Air Filter	Oil Filter
<b>1979 KAWASAKI</b>			
Z400 LTD	400		KN-401
Z500	500		KN-401
Z650SR	650		KN-401
Z1000 ST	1000		KN-126
Z1000A	1000		KN-126
<b>1978 KAWASAKI</b>			
KL250	250		KN-123
KZ400A	400	KA-1200	KN-401
KZ400B	400		KN-401
KZ400C	400		KN-401
KZ650B	650	KA-1200	KN-401
KZ650C Custom	650	KA-1200	KN-401
KZ650D SR	650	KA-1200	KN-401
KZ750 Twin	750	KA-0750	KN-126
KZ1000 LTD	1000	KA-8077	KN-126
KZ1000 Police	998	KA-8077	KN-126
KZ1000A	1000	KA-8077	KN-126
KZ1000D Z1-R	1000	KA-8077	KN-126
Z1R	1000		KN-126
Z200	200		KN-123
Z650SR	650		KN-401
Z1000A	1000		KN-126
<b>1977 KAWASAKI</b>			
KL250	250		KN-123
KZ400A	400	KA-1200	KN-401
KZ400D	400	KA-1200	KN-401
KZ400S	400	KA-1200	KN-401
KZ650B	650	KA-1200	KN-401
KZ650C Custom	650	KA-1200	KN-401
KZ750 Twin	750	KA-0750	KN-126
KZ900A	900	KA-8076	KN-126
KZ1000 LTD	1000	KA-8077	KN-126
KZ1000A	1000	KA-8077	KN-126
Z200	200		KN-123
Z400	400		KN-401
Z1000A	1000		KN-126
<b>1976 KAWASAKI</b>			
KZ400D	400	KA-1200	KN-401
KZ400S	400	KA-1200	KN-401
KZ750 Twin	750	KA-0750	KN-126
KZ900A	900	KA-8076	KN-126
KZ900B LTD	900	KA-8076	KN-126
Z1F	900		KN-401
Z400	400		KN-401
<b>1975 KAWASAKI</b>			
H1	500	KA-1000	
H2	750	KA-1100	
KZ400D	400	KA-1150	KN-401
KZ400S	400	KA-1150	KN-401
Z1	900	KA-0800	KN-126
Z1000	1000		KN-126
<b>1974 KAWASAKI</b>			
H1	500	KA-1000	
H2	750	KA-1100	
KZ400D	400	KA-1150	KN-401
Z1	900	KA-0800	KN-126
Z400	400		KN-401
Z1000	1000		KN-126
<b>1973 KAWASAKI</b>			
H1	500	KA-1000	
H2	750	KA-1100	

Vehicle	Engine Type	Air Filter	Oil Filter
<b>1973 KAWASAKI</b>			
Z1	900	KA-0800	KN-126
<b>1972 KAWASAKI</b>			
H1	500	KA-1000	
H2	750	KA-1100	
<b>1971 KAWASAKI</b>			
H1	500	KA-1000	
<b>1970 KAWASAKI</b>			
H1	500	KA-1000	
<b>1969 KAWASAKI</b>			
H1	500	KA-1000	
<b>2011 KIA</b>			
Carens	2.0L L4 F/I	33-2934	
cee d	1.4L L4 F/I	33-2380 ♦	
cee d	1.6L L4 DSL	33-2380	
cee d	1.6L L4 F/I	33-2380 ♦	
Forte	2.0L L4 F/I	33-2380	HP-1004
Forte	2.4L L4 F/I	33-2380	HP-1004
Optima	2.0L L4 F/I		HP-1004
Optima	2.4L L4 F/I	33-2448	HP-1004
Picanto	1.0L L4 F/I	33-2930	
Picanto	1.1L L4 F/I	33-2930	
Rio	1.4L L4 F/I	33-2354	
Rio	1.5L L4 DSL	33-2354	
Rio	1.6L L4 F/I	33-2354	HP-1004
Rio5	1.6L L4 F/I	33-2354	HP-1004
Rondo	2.4L L4 F/I	33-2934	HP-1004
Rondo	2.7L V6 F/I	33-2934	HP-1010
Sedona	3.8L V6 F/I	33-2368	
Sorento	2.2L L4 DSL	33-2969	
Sorento	2.4L L4 F/I	33-2448	HP-1004
Sorento	3.5L V6 F/I	33-2448	
Soul	1.6L L4 DSL	33-2960	
Soul	1.6L L4 F/I	33-2960	HP-1004
Soul	2.0L L4 F/I	33-2960 ♦	HP-1004
Sportage	1.6L L4 F/I	33-2451	
Sportage	2.0L L4 F/I	33-2451	HP-1004
Sportage	2.4L L4 F/I	33-2451	HP-1004
Venga	1.4L L4 DSL	33-2960	
Venga	1.4L L4 F/I	33-2960	
Venga	1.6L L4 DSL	33-2960	
Venga	1.6L L4 F/I	33-2960	
<b>2010 KIA</b>			
Borrego	3.8L V6 F/I	33-2447	
Borrego	4.6L V8 F/I	33-2447	
Carens	2.0L L4 DSL	33-2934	
Carens	2.0L L4 F/I	33-2934	
cee d	1.4L L4 F/I	33-2380 ♦	
cee d	1.6L L4 DSL	33-2380	
cee d	1.6L L4 F/I	33-2380 ♦	
cee d	2.0L L4 DSL	33-2380	
cee d	2.0L L4 F/I	33-2380	
Forte	2.0L L4 F/I	33-2380	HP-1004
Forte	2.4L L4 F/I	33-2380	HP-1004
Magentis	2.4L L4 F/I		HP-1004
Magentis	2.7L V6 F/I		HP-1010
Optima	2.4L L4 F/I	33-2934	HP-1004
Optima	2.7L V6 F/I	33-2934	HP-1010
Picanto	1.0L L4 F/I	33-2930	
Picanto	1.1L L4 F/I	33-2930	
Rio	1.4L L4 F/I	33-2354	
Rio	1.5L L4 DSL	33-2354	

\*Indicates 2 filters required

♦ - Intake kit available

Applications updated daily at [knfilters.com](http://knfilters.com) ®



# AIR & OIL FILTERS

**KIA**

Vehicle	Engine Type	Air Filter	Oil Filter	Vehicle	Engine Type	Air Filter	Oil Filter
<b>2010 KIA</b>				<b>2008 KIA</b>			
Rio	1.6L L4 F/I	33-2354	HP-1004	cee d	1.6L L4 DSL	33-2380	
Rio5	1.6L L4 F/I	33-2354	HP-1004	cee d	1.6L L4 F/I	33-2380 ♦	
Rondo	2.4L L4 F/I	33-2934	HP-1004	cee d	2.0L L4 DSL	33-2380	
Rondo	2.7L V6 F/I	33-2934	HP-1010	cee d	2.0L L4 F/I	33-2380 ♦	
Sedona	3.8L V6 F/I	33-2368		Cerato	1.5L L4 DSL	33-2201	
Sorento	2.2L L4 DSL	33-2969		Cerato	1.6L L4 F/I	33-2201	
Sorento	2.4L L4 F/I	33-2448		Cerato	2.0L L4 DSL	33-2201	
Sorento	3.5L V6 F/I	33-2448		Cerato	2.0L L4 F/I	33-2201	
Soul	1.6L L4 DSL	33-2960		Magentis	2.0L L4 F/I	33-2198	
Soul	1.6L L4 F/I	33-2960	HP-1004	Magentis	2.4L L4 F/I		HP-1004
Soul	2.0L L4 F/I	33-2960 ♦	HP-1004	Magentis	2.7L V6 F/I		HP-1008
Sportage	1.6L L4 F/I	33-2451		Magentis	2.7L V6 F/I - Non-US	33-2198	HP-1008
Sportage	2.0L L4 DSL	33-2201		Optima	2.4L L4 F/I	33-2934	HP-1004
Sportage	2.0L L4 F/I		HP-1004	Optima	2.7L V6 F/I	33-2934	HP-1008
Sportage	2.0L L4 F/I - Non-US, from 5/10	33-2451	HP-1004	Picanto	1.0L L4 F/I	33-2930	
Sportage	2.0L L4 F/I - US	33-2201	HP-1004	Picanto	1.1L L4 DSL - OEM 2811307100	33-2930	
Sportage	2.7L V6 F/I	33-2201	HP-1008	Picanto	1.1L L4 F/I	33-2930	
Venga	1.4L L4 DSL	33-2960		Rio	1.4L L4 F/I	33-2354	
Venga	1.4L L4 F/I	33-2960		Rio	1.5L L4 DSL	33-2354	
Venga	1.6L L4 DSL	33-2960		Rio	1.6L L4 F/I	33-2354	HP-1004
Venga	1.6L L4 F/I	33-2960		Rio	1.6L L4 F/I - Non-US	33-2196	HP-1004
<b>2009 KIA</b>				Rio5	1.6L L4 F/I	33-2354	HP-1004
Amanti	3.8L V6 F/I	33-2390	HP-7022	Rondo	2.4L L4 F/I	33-2934	HP-1004
Borrego	3.8L V6 F/I	33-2447		Rondo	2.7L V6 F/I	33-2934	HP-1008
Borrego	4.6L V8 F/I	33-2447		Sedona	3.8L V6 F/I	33-2368	HP-7022
Carens	2.0L L4 DSL	33-2934		Sorento	2.5L L4 DSL	33-2271	
Carens	2.0L L4 F/I	33-2934		Sorento	3.3L V6 F/I	33-2271	HP-7022
cee d	1.4L L4 F/I	33-2380 ♦		Sorento	3.8L V6 F/I	33-2271	HP-7022
cee d	1.6L L4 DSL	33-2380		Soul	1.6L L4 DSL	33-2960	
cee d	1.6L L4 F/I	33-2380 ♦		Soul	1.6L L4 F/I	33-2960	
cee d	2.0L L4 DSL	33-2380		Spectra	2.0L L4 F/I	33-2201 ♦	HP-1004
cee d	2.0L L4 F/I	33-2380 ♦		Spectra5	2.0L L4 F/I	33-2201	HP-1004
Magentis	2.4L L4 F/I		HP-1004	Sportage	2.0L L4 DSL	33-2201	
Magentis	2.7L V6 F/I		HP-1008	Sportage	2.0L L4 F/I	33-2201	HP-1004
Optima	2.4L L4 F/I	33-2934	HP-1004	Sportage	2.7L V6 F/I	33-2201	HP-1008
Optima	2.7L V6 F/I	33-2934	HP-1008	<b>2007 KIA</b>			
Picanto	1.0L L4 F/I	33-2930		Amanti	3.8L V6 F/I	33-2390	HP-7022
Picanto	1.1L L4 DSL - OEM 2811307100	33-2930		Carens	2.0L L4 DSL	33-2934	
Picanto	1.1L L4 F/I	33-2930		Carens	2.0L L4 F/I	33-2934	
Rio	1.4L L4 F/I	33-2354		Carnival	2.9L L4 DSL	33-2831	
Rio	1.5L L4 DSL	33-2354		cee d	1.4L L4 F/I	33-2380 ♦	
Rio	1.6L L4 F/I	33-2354	HP-1004	cee d	1.6L L4 DSL	33-2380	
Rio5	1.6L L4 F/I	33-2354	HP-1004	cee d	1.6L L4 F/I	33-2380 ♦	
Rondo	2.4L L4 F/I	33-2934	HP-1004	cee d	2.0L L4 DSL	33-2380	
Rondo	2.7L V6 F/I	33-2934	HP-1008	cee d	2.0L L4 F/I	33-2380 ♦	
Sedona	3.8L V6 F/I	33-2368	HP-7022	Cerato	1.5L L4 DSL	33-2201	
Sorento	2.2L L4 DSL	33-2969		Cerato	1.6L L4 F/I	33-2201	
Sorento	3.3L V6 F/I	33-2271		Cerato	2.0L L4 DSL	33-2201	
Sorento	3.8L V6 F/I	33-2271		Cerato	2.0L L4 F/I	33-2201	
Soul	1.6L L4 DSL	33-2960		Magentis	2.0L L4 F/I	33-2198	
Soul	1.6L L4 F/I	33-2960		Magentis	2.4L L4 F/I		HP-1004
Spectra	2.0L L4 F/I	33-2201	HP-1004	Magentis	2.7L V6 F/I		HP-1008
Spectra5	2.0L L4 F/I	33-2201	HP-1004	Magentis	2.7L V6 F/I - Non-US	33-2198	HP-1008
Sportage	2.0L L4 DSL	33-2201		Optima	2.4L L4 F/I	33-2934	HP-1004
Sportage	2.0L L4 F/I	33-2201	HP-1004	Optima	2.7L V6 F/I	33-2934	HP-1008
Sportage	2.7L V6 F/I	33-2201	HP-1008	Picanto	1.0L L4 F/I	33-2930	
<b>2008 KIA</b>				Picanto	1.1L L4 DSL - OEM 2811307100	33-2930	
Amanti	3.8L V6 F/I	33-2390	HP-7022	Picanto	1.1L L4 F/I	33-2930	
Carens	2.0L L4 DSL	33-2934		Rio	1.4L L4 F/I	33-2354	
Carens	2.0L L4 F/I	33-2934		Rio	1.5L L4 DSL	33-2354	
Carnival	2.9L L4 DSL	33-2831		Rio	1.6L L4 F/I	33-2354	HP-1004
cee d	1.4L L4 F/I	33-2380 ♦		Rio	1.6L L4 F/I - Non-US	33-2196	HP-1004

\*Indicates 2 filters required      ♦ - Intake kit available      Applications updated daily at [knfilters.com](http://knfilters.com) ®

**Partial Listing - Complete List of Vehicles and Applications at [knfilters.com](http://knfilters.com)**

# KIA

# AIR & OIL FILTERS

Vehicle	Engine Type	Air Filter	Oil Filter	Vehicle	Engine Type	Air Filter	Oil Filter
<b>2007 KIA</b>				<b>2005 KIA</b>			
Rio5	1.6L L4 F/I	33-2354	HP-1004	Cerato	1.6L L4 F/I	33-2201	
Rondo	2.4L L4 F/I	33-2934	HP-1004	Cerato	2.0L L4 DSL	33-2201	
Rondo	2.7L V6 F/I	33-2934	HP-1008	Cerato	2.0L L4 F/I	33-2201	
Sedona	3.8L V6 F/I	33-2368	HP-7022	Lotze	2.0L L4 F/I	33-2934	
Sorento	2.5L L4 DSL	33-2271		Magentis	2.0L L4 F/I	33-2188	
Sorento	3.3L V6 F/I	33-2271		Magentis	2.4L L4 F/I		HP-1004
Sorento	3.8L V6 F/I	33-2271	HP-7022	Magentis	2.5L V6 F/I	33-2188	
Spectra	2.0L L4 F/I	33-2201 ♦	HP-1004	Magentis	2.7L V6 F/I		HP-1008
Spectra5	2.0L L4 F/I	33-2201	HP-1004	Optima	2.4L L4 F/I	33-2188	HP-1004
Sportage	2.0L L4 DSL	33-2201		Optima	2.7L V6 F/I	33-2188	HP-1008
Sportage	2.0L L4 F/I	33-2201	HP-1004	Picanto	1.0L L4 F/I	33-2930	
Sportage	2.7L V6 F/I	33-2201	HP-1008	Picanto	1.1L L4 DSL - OEM 2811307100	33-2930	
<b>2006 KIA</b>				Picanto	1.1L L4 F/I	33-2930	
Amanti	3.5L V6 F/I	33-2199	HP-1004	Rio	1.3L L4 F/I	33-2196	
Carens	2.0L L4 DSL - from 9/06	33-2934		Rio	1.4L L4 F/I	33-2196	
Carens	2.0L L4 DSL - to 8/06	33-2169		Rio	1.5L L4 DSL	33-2196	
Carens	2.0L L4 F/I	33-2934		Rio	1.5L L4 F/I	33-2196	
Carnival	2.5L V6 F/I	E-2013		Rio	1.6L L4 F/I	33-2196	HP-1008
Carnival	2.9L L4 DSL	33-2831		Sedona	3.5L V6 F/I	33-2268	HP-1004
cee d	1.4L L4 F/I	33-2380		Sorento	2.4L L4 F/I	33-2271	
cee d	1.6L L4 DSL	33-2380		Sorento	2.5L L4 DSL	33-2271	
cee d	1.6L L4 F/I	33-2380		Sorento	3.5L V6 F/I	33-2271	HP-1004
cee d	2.0L L4 DSL	33-2380		Spectra	2.0L L4 F/I	33-2201 ♦	HP-1004
cee d	2.0L L4 F/I	33-2380 ♦		Spectra5	2.0L L4 F/I	33-2201 ♦	HP-1004
Cerato	1.5L L4 DSL	33-2201		Sportage	2.0L L4 DSL	33-2201	
Cerato	1.6L L4 F/I	33-2201		Sportage	2.0L L4 F/I	33-2201	HP-1004
Cerato	2.0L L4 DSL	33-2201		Sportage	2.7L V6 F/I	33-2201	HP-1008
Cerato	2.0L L4 F/I	33-2201		<b>2004 KIA</b>			
Lotze	2.0L L4 F/I	33-2934		Amanti	3.5L V6 F/I	33-2199	HP-1004
Magentis	2.0L L4 F/I	33-2188		Carens	2.0L L4 DSL	33-2169	
Magentis	2.4L L4 F/I		HP-1004	Carnival	2.5L V6 F/I	E-2013	
Magentis	2.5L V6 F/I	33-2188		Carnival	2.9L L4 DSL	33-2831	
Magentis	2.7L V6 F/I		HP-1008	Cerato	1.6L L4 F/I	33-2201	
Magentis	2.7L V6 F/I - Non-US	33-2198	HP-1008	Cerato	2.0L L4 DSL	33-2201	
Optima	2.4L L4 F/I		HP-1004	Cerato	2.0L L4 F/I	33-2201	
Optima	2.4L L4 F/I - VIN 3	33-2934	HP-1004	Magentis	2.0L L4 F/I	33-2188	
Optima	2.4L L4 F/I - VIN 6	33-2188	HP-1004	Magentis	2.4L L4 F/I		HP-1004
Optima	2.7L V6 F/I	33-2188	HP-1008	Magentis	2.5L V6 F/I	33-2188	
Picanto	1.0L L4 F/I	33-2930		Magentis	2.7L V6 F/I		HP-1008
Picanto	1.1L L4 DSL - OEM 2811307100	33-2930		Optima	2.4L L4 F/I	33-2188	HP-1004
Picanto	1.1L L4 F/I	33-2930		Optima	2.7L V6 F/I	33-2188	HP-1008
Rio	1.4L L4 F/I	33-2354		Picanto	1.0L L4 F/I	33-2930	
Rio	1.5L L4 DSL	33-2354		Picanto	1.1L L4 F/I	33-2930	
Rio	1.6L L4 F/I	33-2354	HP-1004	Rio	1.3L L4 F/I	33-2196	
Rio	1.6L L4 F/I - Non-US	33-2196	HP-1004	Rio	1.5L L4 F/I	33-2196	
Rio5	1.6L L4 F/I	33-2354	HP-1004	Rio	1.6L L4 F/I	33-2196	HP-1008
Sedona	3.8L V6 F/I	33-2368	HP-7022	Sedona	3.5L V6 F/I	33-2268	HP-1004
Sorento	2.4L L4 F/I	33-2271		Shuma	1.6L L4 F/I	33-2169	
Sorento	2.5L L4 DSL	33-2271		Sorento	2.4L L4 F/I	33-2271	
Sorento	3.3L V6 F/I	33-2271		Sorento	2.5L L4 DSL	33-2271	
Sorento	3.5L V6 F/I	33-2271	HP-1004	Sorento	3.5L V6 F/I	33-2271	HP-1004
Spectra	2.0L L4 F/I	33-2201 ♦	HP-1004	Spectra	1.8L L4 F/I	33-2169	HP-1008
Spectra5	2.0L L4 F/I	33-2201 ♦	HP-1004	Spectra	2.0L L4 F/I		HP-1004
Sportage	2.0L L4 DSL	33-2201		Sportage	2.0L L4 DSL	33-2168	
Sportage	2.0L L4 F/I	33-2201	HP-1004	Sportage	2.0L L4 F/I	33-2168	
Sportage	2.7L V6 F/I	33-2201	HP-1008	<b>2003 KIA</b>			
<b>2005 KIA</b>				Carens	2.0L L4 DSL	33-2169	
Amanti	3.5L V6 F/I	33-2199	HP-1004	Carnival	2.5L V6 F/I	E-2013	
Carens	2.0L L4 DSL	33-2169		Carnival	2.9L L4 DSL	33-2831	
Carnival	2.5L V6 F/I	E-2013		Magentis	2.0L L4 F/I	33-2188	
Carnival	2.9L L4 DSL	33-2831		Magentis	2.4L L4 F/I		HP-1004
Cerato	1.5L L4 DSL	33-2201		Magentis	2.5L V6 F/I	33-2188	

\*Indicates 2 filters required

♦ - Intake kit available

Applications updated daily at [knfilters.com](http://knfilters.com) ®

# AIR & OIL FILTERS

**KIA**

Vehicle	Engine Type	Air Filter	Oil Filter	Vehicle	Engine Type	Air Filter	Oil Filter
<b>2003 KIA</b>				<b>1999 KIA</b>			
Magentis	2.7L V6 F/I		HP-1008	Pride	1.1L L4 F/I	33-2222	
Optima	2.4L L4 F/I	33-2188	HP-1004	Pride	1.3L L4 F/I	33-2222	
Optima	2.7L V6 F/I	33-2188	HP-1008	Sephia	1.5L L4 F/I	33-2169	
Rio	1.3L L4 F/I	33-2196		Sephia	1.8L L4 F/I	33-2169	HP-1008
Rio	1.5L L4 F/I	33-2196		Shuma	1.5L L4 F/I	33-2169	
Rio	1.6L L4 F/I	33-2196	HP-1008	Shuma	1.8L L4 F/I	33-2169	
Sedona	3.5L V6 F/I	33-2268	HP-1004	Sportage	2.0L L4 F/I	33-2168	HP-1006
Shuma	1.6L L4 F/I	33-2169		<b>1998 KIA</b>			
Sorento	2.4L L4 F/I	33-2271		Mentor	1.5L L4 F/I		HP-1008
Sorento	2.5L L4 DSL	33-2271		Pride	1.1L L4 F/I	33-2222	
Sorento	3.5L V6 F/I	33-2271	HP-1004	Pride	1.3L L4 F/I	33-2222	
Spectra	1.8L L4 F/I	33-2169	HP-1008	Sephia	1.8L L4 F/I	33-2169	HP-1008
Sportage	2.0L L4 F/I	33-2168		Shuma	1.5L L4 F/I	33-2169	
<b>2002 KIA</b>				Shuma	1.8L L4 F/I	33-2169	
Carens	2.0L L4 DSL	33-2169		Sportage	2.0L L4 F/I	33-2168	HP-1006
Carnival	2.5L V6 F/I	E-2013		<b>1997 KIA</b>			
Carnival	2.9L L4 DSL	33-2831		Pride	1.1L L4 F/I	33-2222	
Magentis	2.0L L4 F/I	33-2188		Pride	1.3L L4 F/I	33-2222	
Magentis	2.4L L4 F/I		HP-1004	Sephia	1.6L L4 F/I	33-2034	HP-1008
Magentis	2.5L V6 F/I	33-2188		Sephia	1.8L L4 F/I	33-2169	HP-1008
Magentis	2.7L V6 F/I		HP-1008	Shuma	1.8L L4 F/I	33-2169	
Optima	2.4L L4 F/I	33-2188	HP-1004	Sportage	2.0L L4 F/I	33-2168	HP-1006
Optima	2.7L V6 F/I	33-2188	HP-1008	<b>1996 KIA</b>			
Rio	1.3L L4 F/I	33-2196		Pride	1.1L L4 F/I	33-2222	
Rio	1.5L L4 F/I	33-2196	HP-1008	Pride	1.3L L4 F/I	33-2222	
Sedona	2.9L L4 DSL - Non-US	33-2831		Sephia	1.6L L4 F/I	33-2034	HP-1008
Sedona	3.5L V6 F/I	33-2268	HP-1004	Sephia	1.8L L4 F/I	33-2169	HP-1008
Sephia	1.8L L4 F/I	33-2169		Sportage	2.0L L4 F/I	33-2168	HP-1006
Shuma	1.6L L4 F/I	33-2169		<b>1995 KIA</b>			
Shuma	1.8L L4 F/I	33-2169		Pride	1.1L L4 F/I	33-2222	
Sorento	2.4L L4 F/I	33-2271		Pride	1.3L L4 F/I	33-2222	
Sorento	2.5L L4 DSL	33-2271		Sephia	1.6L L4 F/I	33-2034	HP-1008
Spectra	1.8L L4 F/I	33-2169	HP-1008	Sephia	1.8L L4 F/I	33-2169	HP-1008
Sportage	2.0L L4 F/I	33-2168	HP-1006	Sportage	2.0L L4 F/I		HP-1006
<b>2001 KIA</b>				Sportage	2.0L L4 F/I - DOHC	33-2026	HP-1006
Carnival	2.5L V6 F/I	E-2013		Sportage	2.0L L4 F/I - US; SOHC, Non-US:All	33-2168	HP-1006
Carnival	2.9L L4 DSL	33-2831		<b>1994 KIA</b>			
Magentis	2.0L L4 F/I	33-2188		Mentor	1.6L L4 F/I	33-2026	
Magentis	2.4L L4 F/I		HP-1004	Pride	1.1L L4 F/I	33-2222	
Magentis	2.5L V6 F/I	33-2188	HP-1004	Pride	1.3L L4 F/I	33-2222	
Optima	2.4L L4 F/I	33-2188	HP-1004	Sephia	1.6L L4 F/I		HP-1008
Optima	2.5L V6 F/I	33-2188	HP-1004	<b>1993 KIA</b>			
Rio	1.3L L4 F/I	33-2196		Pride	1.1L L4 F/I	33-2222	
Rio	1.5L L4 F/I	33-2196	HP-1008	Pride	1.3L L4 F/I	33-2222	
Sedona	2.9L L4 DSL - Non-US	33-2831		<b>1992 KIA</b>			
Sephia	1.5L L4 F/I	33-2169		Pride	1.1L L4 F/I	33-2222	
Sephia	1.8L L4 F/I	33-2169	HP-1008	Pride	1.3L L4 F/I	33-2222	
Shuma	1.5L L4 F/I	33-2169		<b>1991 KIA</b>			
Shuma	1.6L L4 F/I	33-2169		Pride	1.1L L4 F/I	33-2222	
Shuma	1.8L L4 F/I	33-2169		Pride	1.3L L4 F/I	33-2222	
Spectra	1.8L L4 F/I	33-2169	HP-1008	<b>2010 KTM</b>			
Sportage	2.0L L4 F/I	33-2168	HP-1006	400 XC-W	400		KN-652
<b>2000 KIA</b>				Pride			
Pride	1.1L L4 F/I	33-2222		450 EXC	450		KN-652
Pride	1.3L L4 F/I	33-2222		450 EXC Six Days	450		KN-652
Rio	1.3L L4 F/I	33-2196		450 SXF	450		KN-652
Sephia	1.5L L4 F/I	33-2169		450 XC-F	450		KN-652
Sephia	1.8L L4 F/I	33-2169	HP-1008	450 XC-W	450		KN-652
Shuma	1.5L L4 F/I	33-2169		450 XC-W Six Days	450		KN-652
Shuma	1.8L L4 F/I	33-2169		450 XC-WR	450		KN-652
Spectra	1.8L L4 F/I	33-2169	HP-1008				
Sportage	2.0L L4 F/I	33-2168	HP-1006				

\*Indicates 2 filters required    ♦ - Intake kit available    Applications updated daily at [knfilters.com](http://knfilters.com) ®

**Partial Listing - Complete List of Vehicles and Applications at [knfilters.com](http://knfilters.com)**

Vehicle	Engine Type	Air Filter	Oil Filter	Vehicle	Engine Type	Air Filter	Oil Filter
<b>2010 KTM</b>				<b>2008 KTM</b>			
530 EXC	530		KN-652	250 XCF	250		KN-655
530 EXC Factory Edition	530		KN-652	250 XCF-W	250		KN-655
530 EXC Six Days	530		KN-652	400 EXC Racing	400		KN-652
530 XC-W	530		KN-652	400 XC-W	400		KN-652
530 XC-W Six Days	530		KN-652	450 EXC-R	450		KN-652
690 Duke	690 - 1st Filter		KN-155	450 SMR	449		KN-652
690 Duke	690 - 2nd Filter		KN-157	450 SXF	449		KN-652
690 Enduro	690 - 1st Filter		KN-155	450 SXS-F	449		KN-652
690 Enduro	690 - 2nd Filter		KN-157	450 XC	450 - 1st Filter		KN-155
690 Enduro R	690	KT-6908		450 XC	450 - 2nd Filter		KN-157
690 Enduro R	690 - 1st Filter	KT-6908	KN-155	450 XC ATV	448 - 1st Filter		KN-155
690 Enduro R	690 - 2nd Filter	KT-6908	KN-157	450 XC ATV	448 - 2nd Filter		KN-157
690 SMC	690	KT-6908		450 XCF	450		KN-652
690 SMC	690 - 1st Filter	KT-6908	KN-155	450 XC-WR	450		KN-652
690 SMC	690 - 2nd Filter	KT-6908	KN-157	505 SXF	505		KN-652
990 Adventure	990		KN-158	505 XCF	478		KN-652
990 Adventure R	990		KN-158	525 XC	525 - 1st Filter		KN-155
990 SM R	990		KN-158	525 XC	525 - 2nd Filter		KN-157
990 SM T	990		KN-158	525 XC ATV	510 - 1st Filter		KN-155
1190 RC8	1190		KN-158	525 XC ATV	510 - 2nd Filter		KN-157
1190 RC8R	1190		KN-158	530 EXC-R	530		KN-652
				530 XC-WR	530		KN-652
<b>2009 KTM</b>				690 Duke	654	KT-6907	
250 EXC-F	250		KN-655	690 Duke	654 - 1st Filter	KT-6907	KN-155
250 SXF	249		KN-655	690 Duke	654 - 2nd Filter	KT-6907	KN-157
250 XCF	250		KN-655	690 Enduro	690	KT-6908	
250 XCF-W	250		KN-655	690 Enduro	690 - 1st Filter	KT-6908	KN-155
400 EXC	400		KN-652	690 Enduro	690 - 2nd Filter	KT-6908	KN-157
400 XC-W	400		KN-652	690 SMC	690	KT-6908	
450 EXC	450		KN-652	690 SMC	690 - 1st Filter	KT-6908	KN-155
450 SMR	449		KN-652	690 SMC	690 - 2nd Filter	KT-6908	KN-157
450 SXF	449		KN-652	690 Supermoto	690	KT-6907	
450 XC ATV	448 - 1st Filter		KN-155	690 Supermoto	690 - 1st Filter	KT-6907	KN-155
450 XC ATV	448 - 2nd Filter		KN-157	690 Supermoto	690 - 2nd Filter	KT-6907	KN-157
450 XCF	450		KN-652	690 Supermoto R	690	KT-6907	
450 XC-W	450		KN-652	690 Supermoto R	690 - 1st Filter	KT-6907	KN-155
450 XC-WR	450		KN-652	690 Supermoto R	690 - 2nd Filter	KT-6907	KN-157
505 SXF	505		KN-652	950 Super Enduro R	950		KN-158
505 XCF	478		KN-652	950 Supermoto	950		KN-158
525 XC ATV	510 - 1st Filter		KN-155	990 Adventure	990		KN-158
525 XC ATV	510 - 2nd Filter		KN-157	990 Adventure S	990		KN-158
530 EXC Six Days	530		KN-652	990 Super Duke	990		KN-158
530 EXC-R	530		KN-652	1190 RC8	1150	KT-1108	KN-158
530 XC-WR	530		KN-652	<b>2007 KTM</b>			
690 Duke	654	KT-6907		200 XC	200	KT-5201	
690 Duke	654 - 1st Filter	KT-6907	KN-155	200 XC-W	200	KT-5201	
690 Duke	654 - 2nd Filter	KT-6907	KN-157	250 SXF	249		KN-655
690 Enduro	690 - 1st Filter		KN-155	250 SXS-F	249		KN-655
690 Enduro	690 - 2nd Filter		KN-157	250 XC	250	KT-5201	
690 Enduro R	690	KT-6908		250 XCF	250	KT-5201	KN-655
690 Enduro R	690 - 1st Filter	KT-6908	KN-155	250 XCF-W	250	KT-5201	KN-655
690 Enduro R	690 - 2nd Filter	KT-6908	KN-157	250 XC-W	250	KT-5201	
690 SMC	690	KT-6908		300 XC	300	KT-5201	
690 SMC	690 - 1st Filter	KT-6908	KN-155	300 XC-W	300	KT-5201	
690 SMC	690 - 2nd Filter	KT-6908	KN-157	400 EXC Racing	400 - 1st Filter		KN-155
950 Super Enduro R	950		KN-158	400 EXC Racing	400 - 2nd Filter		KN-157
990 Adventure	990		KN-158	400 XC-W	400	KT-5201	
990 Super Duke	990		KN-158	400 XC-W	400 - 1st Filter	KT-5201	KN-155
1190 RC8	1150	KT-1108	KN-158	400 XC-W	400 - 2nd Filter	KT-5201	KN-157
<b>2008 KTM</b>				450 EXC	450	KT-5201	
250 EXC-F	250		KN-655	450 EXC	450 - 1st Filter	KT-5201	KN-155
250 SXF	249		KN-655	450 EXC	450 - 2nd Filter	KT-5201	KN-157
250 SXS-F	249		KN-655	450 EXC Racing	450	KT-5201	

\*Indicates 2 filters required

◆ - Intake kit available

Applications updated daily at [knfilters.com](http://knfilters.com) ®

# AIR & OIL FILTERS

# KTM

Vehicle	Engine Type	Air Filter	Oil Filter	Vehicle	Engine Type	Air Filter	Oil Filter
<b>2007 KTM</b>				<b>2006 KTM</b>			
450 EXC Racing	450 - 1st Filter	KT-5201	KN-155	250 SXF	249	KT-5201	KN-655
450 EXC Racing	450 - 2nd Filter	KT-5201	KN-157	250 SXS	250	KT-5201	
450 SMR	449	KT-5201		250 SXS-F	249	KT-5201	KN-655
450 SMR	449 - 1st Filter	KT-5201	KN-155	250 XC	250	KT-5201	
450 SMR	449 - 2nd Filter	KT-5201	KN-157	250 XCF-W	250	KT-5201	KN-655
450 SXF	449		KN-652	250 XC-W	250	KT-5201	
450 SXS-F	449		KN-652	300 XC	300	KT-5201	
450 XC	450	KT-5201		300 XC-W	300	KT-5201	
450 XC	450 - 1st Filter	KT-5201	KN-155	400 EXC Racing	400 - 1st Filter		KN-155
450 XC	450 - 2nd Filter	KT-5201	KN-157	400 EXC Racing	400 - 2nd Filter		KN-157
450 XC-W	450	KT-5201		400 EXC-G Racing	400	KT-5201	
450 XC-W	450 - 1st Filter	KT-5201	KN-155	400 EXC-G Racing	400 - 1st Filter	KT-5201	KN-155
450 XC-W	450 - 2nd Filter	KT-5201	KN-157	400 EXC-G Racing	400 - 2nd Filter	KT-5201	KN-157
505 SXF Preseries	505		KN-652	450 EXC Racing	450 - 1st Filter		KN-155
525 EXC	525	KT-5201		450 EXC Racing	450 - 2nd Filter		KN-157
525 EXC	525 - 1st Filter	KT-5201	KN-155	450 EXC-G Racing	450	KT-5201	
525 EXC	525 - 2nd Filter	KT-5201	KN-157	450 EXC-G Racing	450 - 1st Filter	KT-5201	KN-155
525 EXC Racing	525	KT-5201		450 EXC-G Racing	450 - 2nd Filter	KT-5201	KN-157
525 EXC Racing	525 - 1st Filter	KT-5201	KN-155	450 MXC Racing	450 - 1st Filter		KN-155
525 EXC Racing	525 - 2nd Filter	KT-5201	KN-157	450 MXC Racing	450 - 2nd Filter		KN-157
525 MXC Racing	525 - 1st Filter		KN-155	450 SMR	449	KT-5201	
525 MXC Racing	525 - 2nd Filter		KN-157	450 SMR	449 - 1st Filter	KT-5201	KN-155
525 SX Racing	525 - 1st Filter		KN-155	450 SMR	449 - 2nd Filter	KT-5201	KN-157
525 SX Racing	525 - 2nd Filter		KN-157	450 SX	450	KT-5201	
525 XC	525	KT-5201		450 SX	450 - 1st Filter	KT-5201	KN-155
525 XC	525 - 1st Filter		KN-155	450 SX	450 - 2nd Filter	KT-5201	KN-157
525 XC	525 - 2nd Filter		KN-157	450 SX Racing	450 - 1st Filter		KN-155
525 XC Desert Racing	525	KT-5201		450 SX Racing	450 - 2nd Filter		KN-157
525 XC Desert Racing	525 - 1st Filter	KT-5201	KN-155	450 SXS	450	KT-5201	
525 XC Desert Racing	525 - 2nd Filter	KT-5201	KN-157	450 SXS	450 - 1st Filter	KT-5201	KN-155
525 XC-W	525	KT-5201		450 SXS	450 - 2nd Filter	KT-5201	KN-157
525 XC-W	525 - 1st Filter	KT-5201	KN-155	450 XC-G Racing	450	KT-5201	
525 XC-W	525 - 2nd Filter	KT-5201	KN-157	450 XC-G Racing	450 - 1st Filter	KT-5201	KN-155
560 SMR	560	KT-5201		450 XC-G Racing	450 - 2nd Filter	KT-5201	KN-157
560 SMR	560 - 1st Filter	KT-5201	KN-155	525 EXC Racing	525 - 1st Filter		KN-155
560 SMR	560 - 2nd Filter	KT-5201	KN-157	525 EXC Racing	525 - 2nd Filter		KN-157
640 Adventure	640 - 1st Filter		KN-155	525 EXC-G Racing	525	KT-5201	
640 Adventure	640 - 2nd Filter		KN-156	525 EXC-G Racing	525 - 1st Filter	KT-5201	KN-155
660 Rallye Factory Replica	660 - 1st Filter		KN-156	525 EXC-G Racing	525 - 2nd Filter	KT-5201	KN-157
660 Rallye Factory Replica	660 - 2nd Filter		KN-157	525 MXC Racing	525 - 1st Filter		KN-155
660 Rallye Factory Replica	660 - Gearbox Filter		KN-155	525 MXC Racing	525 - 2nd Filter		KN-157
690 Supermoto	690	KT-6907		525 SMR	525 - 1st Filter		KN-155
690 Supermoto R	690 - 1st Filter		KN-155	525 SMR	525 - 2nd Filter		KN-157
690 Supermoto R	690 - 2nd Filter		KN-157	525 SX	525	KT-5201	
950 Super Enduro R	950		KN-158	525 SX	525 - 1st Filter	KT-5201	KN-155
950 Supermoto	950		KN-158	525 SX	525 - 2nd Filter	KT-5201	KN-157
950 Supermoto R	950		KN-158	525 SX Racing	525 - 1st Filter		KN-155
990 Adventure	990		KN-158	525 SX Racing	525 - 2nd Filter		KN-157
990 Adventure S	990		KN-158	525 XC	525 - 1st Filter		KN-155
990 Super Duke	990		KN-158	525 XC	525 - 2nd Filter		KN-157
<b>2006 KTM</b>				<b>2006 KTM</b>			
125 EXC Six Days	125	KT-5201		540 SXS	540	KT-5201	
125 SX	125	KT-5201		540 SXS	540 - 1st Filter	KT-5201	KN-155
125 SXS	125	KT-5201		540 SXS	540 - 2nd Filter	KT-5201	KN-157
200 XC	200	KT-5201		560 SMR	560	KT-5201	
200 XC-W	200	KT-5201		560 SMR	560 - 1st Filter	KT-5201	KN-155
250 EXC Racing	250 - 1st Filter		KN-155	560 SMR	560 - 2nd Filter	KT-5201	KN-157
250 EXC Racing	250 - 2nd Filter		KN-157	625 SMC	625 - 1st Filter		KN-155
250 SX	250	KT-5201		625 SMC	625 - 2nd Filter		KN-156
				640 Adventure	640 - 1st Filter		KN-155

\*Indicates 2 filters required

◆ - Intake kit available

Applications updated daily at [knfilters.com](http://knfilters.com) ®

**Partial Listing - Complete List of Vehicles and Applications at [knfilters.com](http://knfilters.com)**

Vehicle	Engine Type	Air Filter	Oil Filter	Vehicle	Engine Type	Air Filter	Oil Filter
<b>2006 KTM</b>				<b>2005 KTM</b>			
640 Adventure	640 - 2nd Filter		KN-156	525 MXC-G Racing	525 - 2nd Filter	KT-5201	KN-157
640 Duke II	640 - 1st Filter		KN-155	525 SMR	525	KT-5201	
640 Duke II	640 - 2nd Filter		KN-156	525 SMR	525 - 1st Filter	KT-5201	KN-155
950 Adventure	950		KN-158	525 SMR	525 - 2nd Filter	KT-5201	KN-157
950 Adventure S	950		KN-158	525 SX Racing	525	KT-5201	
950 Supermoto	950		KN-158	525 SX Racing	525 - 1st Filter	KT-5201	KN-155
990 Super Duke	990		KN-158	525 SX Racing	525 - 2nd Filter	KT-5201	KN-157
<b>2005 KTM</b>				<b>2004 KTM</b>			
125 EXC	125	KT-5201		125 EXC	125	KT-5201	
125 EXC Six Days	125	KT-5201		125 EXC Six Days	125	KT-5201	
125 SX	125	KT-5201		125 SX	123	KT-5201	
125 SXS	125	KT-5201		125 SX	124	KT-5201	
200 EXC	200	KT-5201		125 SXS	123	KT-5201	
250 EXC	250	KT-5201		200 EXC	200	KT-5201	
250 EXC Racing	250	KT-5201		200 SX	200	KT-5201	
250 EXC Racing	250 - 1st Filter	KT-5201	KN-155	250 EXC	250	KT-5201	
250 EXC Racing	250 - 2nd Filter	KT-5201	KN-157	250 EXC Racing	250	KT-5201	
250 EXC-G Racing	250 - 1st Filter		KN-155	250 EXC Racing	250 - 1st Filter	KT-5201	KN-155
250 EXC-G Racing	250 - 2nd Filter		KN-157	250 EXC Racing	250 - 2nd Filter	KT-5201	KN-157
250 SX	250	KT-5201		250 EXC-G Racing	250	KT-5201	
250 SXF	249	KT-5201	KN-655	250 EXC-G Racing	250 - 1st Filter	KT-5201	KN-155
250 SXS	250	KT-5201		250 EXC-G Racing	250 - 2nd Filter	KT-5201	KN-157
300 EXC	300	KT-5201		250 SX	250	KT-5201	
300 MXC	300	KT-5201		250 SXS	250	KT-5201	
400 EXC Racing	400	KT-5201		300 EXC	300	KT-5201	
400 EXC Racing	400 - 1st Filter	KT-5201	KN-155	400 EXC Racing	400	KT-5201	
400 EXC Racing	400 - 2nd Filter	KT-5201	KN-157	400 EXC Racing	400 - 1st Filter	KT-5201	KN-155
400 EXC-G Racing	400	KT-5201		400 EXC Racing	400 - 2nd Filter	KT-5201	KN-157
400 EXC-G Racing	400 - 1st Filter	KT-5201	KN-155	400 EXC-G Racing	400	KT-5201	
400 EXC-G Racing	400 - 2nd Filter	KT-5201	KN-157	400 EXC-G Racing	400 - 1st Filter	KT-5201	KN-155
450 EXC Racing	450	KT-5201		400 EXC-G Racing	400 - 2nd Filter	KT-5201	KN-157
450 EXC Racing	450 - 1st Filter	KT-5201	KN-155	450 EXC Racing	450	KT-5201	
450 EXC Racing	450 - 2nd Filter	KT-5201	KN-157	450 EXC Racing	450 - 1st Filter	KT-5201	KN-155
450 EXC-G Racing	450	KT-5201		450 EXC Racing	450 - 2nd Filter	KT-5201	KN-157
450 EXC-G Racing	450 - 1st Filter	KT-5201	KN-155	525 EXC Racing	525	KT-5201	
450 EXC-G Racing	450 - 2nd Filter	KT-5201	KN-157	525 EXC Racing	525 - 1st Filter	KT-5201	KN-155
450 MXC Racing	450	KT-5201		525 EXC Racing	525 - 2nd Filter	KT-5201	KN-157
450 MXC Racing	450 - 1st Filter	KT-5201	KN-155	525 EXC-G Racing	525	KT-5201	
450 MXC Racing	450 - 2nd Filter	KT-5201	KN-157	525 EXC-G Racing	525 - 1st Filter	KT-5201	KN-155
450 SMR	449	KT-5201		525 EXC-G Racing	525 - 2nd Filter	KT-5201	KN-157
450 SMR	449 - 1st Filter	KT-5201	KN-155	525 SX Racing	525	KT-5201	
450 SMR	449 - 2nd Filter	KT-5201	KN-157	525 SX Racing	525 - 1st Filter	KT-5201	KN-155
450 SX Racing	450	KT-5201		525 SX Racing	525 - 2nd Filter	KT-5201	KN-157
450 SX Racing	450 - 1st Filter	KT-5201	KN-155	525 SX Supermoto	525	KT-5201	
450 SX Racing	450 - 2nd Filter	KT-5201	KN-157	525 SX Supermoto	525 - 1st Filter	KT-5201	KN-155
450 SXS Racing	450	KT-5201		525 SX Supermoto	525 - 2nd Filter	KT-5201	KN-157
450 SXS Racing	450 - 1st Filter	KT-5201	KN-155	525 XC	525 - 1st Filter		KN-155
450 SXS Racing	450 - 2nd Filter	KT-5201	KN-157	525 XC	525 - 2nd Filter		KN-157
525 EXC Racing	525	KT-5201		525 XC-W	525 - 1st Filter		KN-155
525 EXC Racing	525 - 1st Filter	KT-5201	KN-155	525 XC-W	525 - 2nd Filter		KN-157
525 EXC Racing	525 - 2nd Filter	KT-5201	KN-157	540 SXS Racing	540	KT-5201	
525 EXC-G Racing	525	KT-5201		540 SXS Racing	540 - 1st Filter	KT-5201	KN-155
525 EXC-G Racing	525 - 1st Filter	KT-5201	KN-155	540 SXS Racing	540 - 2nd Filter	KT-5201	KN-157
525 EXC-G Racing	525 - 2nd Filter	KT-5201	KN-157	625 SMC	625 - 1st Filter		KN-155
525 EXC-G Racing	525 - 1st Filter	KT-5201	KN-155	625 SMC	625 - 2nd Filter		KN-156
525 EXC-G Racing	525 - 2nd Filter	KT-5201	KN-157	625 SXC	625 - 1st Filter		KN-155
525 MXC Desert Racing	525	KT-5201		625 SXC	625 - 2nd Filter		KN-157
525 MXC Desert Racing	525 - 1st Filter	KT-5201	KN-155	640 Adventure	640 - 1st Filter		KN-155
525 MXC Desert Racing	525 - 2nd Filter	KT-5201	KN-157	640 Adventure	640 - 2nd Filter		KN-156
525 MXC Racing	525 - 1st Filter		KN-155	640 Duke II	640 - 1st Filter		KN-155
525 MXC Racing	525 - 2nd Filter		KN-157	640 Duke II	640 - 2nd Filter		KN-156
525 MXC-G Racing	525	KT-5201		640 LC4 Enduro	640 - 1st Filter		KN-155
525 MXC-G Racing	525 - 1st Filter	KT-5201	KN-155	640 LC4 Enduro	640 - 2nd Filter		KN-156
				640 LC4 Supermoto	640 - 1st Filter		KN-155
				640 LC4 Supermoto	640 - 2nd Filter		KN-156
				660 SMC	660 - 1st Filter		KN-155
				660 SMC	660 - 2nd Filter		KN-157
				950 Adventure	950		KN-158
				950 Adventure S	950		KN-158
				950 Supermoto	950		KN-158
				990 Super Duke	990		KN-158

\*Indicates 2 filters required

◆ - Intake kit available

Applications updated daily at [knfilters.com](http://knfilters.com) ®

# AIR & OIL FILTERS

# KTM

Vehicle	Engine Type	Air Filter	Oil Filter	Vehicle	Engine Type	Air Filter	Oil Filter
<b>2004 KTM</b>				<b>2004 KTM</b>			
450 EXC-G Racing	450	KT-5201		640 Duke II	625 - 1st Filter		KN-155
450 EXC-G Racing	450 - 1st Filter	KT-5201	KN-155	640 Duke II	625 - 2nd Filter		KN-156
450 EXC-G Racing	450 - 2nd Filter	KT-5201	KN-157	640 LC4 Enduro	625 - 1st Filter		KN-155
450 MXC Racing	450 - 1st Filter		KN-155	640 LC4 Enduro	625 - 2nd Filter		KN-156
450 MXC Racing	450 - 2nd Filter		KN-157	640 LC4 Supermoto	625 - 1st Filter		KN-155
450 MXC-G Racing	450	KT-5201		640 LC4 Supermoto	625 - 2nd Filter		KN-156
450 MXC-G Racing	450 - 1st Filter	KT-5201	KN-155	660 SMC	660 - 1st Filter		KN-155
450 MXC-G Racing	450 - 2nd Filter	KT-5201	KN-157	660 SMC	660 - 2nd Filter		KN-157
450 SMR	450	KT-5201		950 Adventure	950		KN-158
450 SMR	450 - 1st Filter	KT-5201	KN-155	950 Adventure S	950		KN-158
450 SMR	450 - 2nd Filter	KT-5201	KN-157				
450 SMS	450	KT-5201		<b>2003 KTM</b>			
450 SMS	450 - 1st Filter	KT-5201	KN-155	125 EXC	125	KT-5201	
450 SMS	450 - 2nd Filter	KT-5201	KN-157	125 SX	123	KT-5201	
450 SX Racing	450	KT-5201		125 SX	124	KT-5201	
450 SX Racing	450 - 1st Filter	KT-5201	KN-155	125 SXS	123	KT-5201	
450 SX Racing	450 - 2nd Filter	KT-5201	KN-157	200 EXC	200	KT-5201	
450 SXS Racing	450	KT-5201		200 MXC	200	KT-5201	
450 SXS Racing	450 - 1st Filter	KT-5201	KN-155	200 SX	200	KT-5201	
450 SXS Racing	450 - 2nd Filter	KT-5201	KN-157	250 EXC	250	KT-5201	
450 XC Cross Country	450	KT-5201		250 EXC Racing	250	KT-5201	
450 XC Cross Country	450 - 1st Filter	KT-5201	KN-155	250 EXC Racing	250 - 1st Filter	KT-5201	KN-155
450 XC Cross Country	450 - 2nd Filter	KT-5201	KN-157	250 EXC Racing	250 - 2nd Filter	KT-5201	KN-157
525 EXC Racing	525	KT-5201		250 EXC-G Racing	250	KT-5201	
525 EXC Racing	525 - 1st Filter	KT-5201	KN-155	250 EXC-G Racing	250 - 1st Filter	KT-5201	KN-155
525 EXC Racing	525 - 2nd Filter	KT-5201	KN-157	250 EXC-G Racing	250 - 2nd Filter	KT-5201	KN-157
525 EXC-G Racing	525	KT-5201		250 SX	250	KT-5201	
525 EXC-G Racing	525 - 1st Filter	KT-5201	KN-155	250 SXS	250	KT-5201	
525 EXC-G Racing	525 - 2nd Filter	KT-5201	KN-157	300 EXC	300	KT-5201	
525 MXC Desert Racing	525	KT-5201		300 MXC	300	KT-5201	
525 MXC Desert Racing	525 - 1st Filter	KT-5201	KN-155	450 EXC Racing	450	KT-5201	
525 MXC Desert Racing	525 - 2nd Filter	KT-5201	KN-157	450 EXC Racing	450 - 1st Filter	KT-5201	KN-155
525 MXC Racing	525 - 1st Filter		KN-155	450 EXC Racing	450 - 2nd Filter	KT-5201	KN-157
525 MXC Racing	525 - 2nd Filter		KN-157	450 EXC-G Racing	450	KT-5201	
525 MXC-G Racing	525	KT-5201		450 EXC-G Racing	450 - 1st Filter	KT-5201	KN-155
525 MXC-G Racing	525 - 1st Filter	KT-5201	KN-155	450 EXC-G Racing	450 - 2nd Filter	KT-5201	KN-157
525 MXC-G Racing	525 - 2nd Filter	KT-5201	KN-157	450 MXC Racing	450 - 1st Filter	KT-5201	KN-155
525 SMR	525	KT-5201		450 MXC Racing	450 - 2nd Filter	KT-5201	KN-157
525 SMR	525 - 1st Filter	KT-5201	KN-155	450 MXC-G Racing	450	KT-5201	
525 SMR	525 - 2nd Filter	KT-5201	KN-157	450 MXC-G Racing	450 - 1st Filter	KT-5201	KN-155
525 SX Racing	525	KT-5201		450 MXC-G Racing	450 - 2nd Filter	KT-5201	KN-157
525 SX Racing	525 - 1st Filter	KT-5201	KN-155	450 SX Racing	450	KT-5201	
525 SX Racing	525 - 2nd Filter	KT-5201	KN-157	450 SX Racing	450 - 1st Filter	KT-5201	KN-155
525 SX Supermoto	525	KT-5201		450 SX Racing	450 - 2nd Filter	KT-5201	KN-157
525 SX Supermoto	525 - 1st Filter	KT-5201	KN-155	450 SXS Racing	450	KT-5201	
525 SX Supermoto	525 - 2nd Filter	KT-5201	KN-157	450 SXS Racing	450 - 1st Filter	KT-5201	KN-155
525 XC	525 - 1st Filter		KN-155	450 SXS Racing	450 - 2nd Filter	KT-5201	KN-157
525 XC	525 - 2nd Filter		KN-157	525 EXC Racing	525	KT-5201	
525 XC-W	525 - 1st Filter		KN-155	525 EXC Racing	525 - 1st Filter	KT-5201	KN-155
525 XC-W	525 - 2nd Filter		KN-157	525 EXC Racing	525 - 2nd Filter	KT-5201	KN-157
540 SXS Racing	539	KT-5201		525 EXC-G Racing	525	KT-5201	
540 SXS Racing	539 - 1st Filter	KT-5201	KN-155	525 EXC-G Racing	525 - 1st Filter	KT-5201	KN-155
540 SXS Racing	539 - 2nd Filter	KT-5201	KN-157	525 EXC-G Racing	525 - 2nd Filter	KT-5201	KN-157
625 SMC	625 - 1st Filter		KN-155	525 MXC Desert Racing	525	KT-5201	
625 SMC	625 - 2nd Filter		KN-156	525 MXC Desert Racing	525 - 1st Filter	KT-5201	KN-155
625 SXC	625 - 1st Filter		KN-155	525 MXC Desert Racing	525 - 2nd Filter	KT-5201	KN-157
625 SXC	625 - 2nd Filter		KN-157	525 MXC Racing	525 - 1st Filter		KN-155
640 Adventure-R	625 - 1st Filter		KN-155	525 MXC Racing	525 - 2nd Filter		KN-157
640 Adventure-R	625 - 2nd Filter		KN-156	525 MXC-G Racing	525	KT-5201	
				525 MXC-G Racing	525 - 1st Filter	KT-5201	KN-155
				525 MXC-G Racing	525 - 2nd Filter	KT-5201	KN-157
				525 SX Racing	525	KT-5201	

\*Indicates 2 filters required      ♦ - Intake kit available      Applications updated daily at [knfilters.com](http://knfilters.com) ®

**Partial Listing - Complete List of Vehicles and Applications at [knfilters.com](http://knfilters.com)**

Vehicle	Engine Type	Air Filter	Oil Filter	Vehicle	Engine Type	Air Filter	Oil Filter
<b>2003 KTM</b>				<b>2002 KTM</b>			
525 SX Racing	525 - 1st Filter	KT-5201	KN-155	520 MXC Racing	510 - 2nd Filter	KT-5201	KN-157
525 SX Racing	525 - 2nd Filter	KT-5201	KN-157	520 SX Racing	510	KT-5201	
525 XC	525 - 1st Filter		KN-155	520 SX Racing	510 - 1st Filter	KT-5201	KN-155
525 XC	525 - 2nd Filter		KN-157	520 SX Racing	510 - 2nd Filter	KT-5201	KN-157
525 XC-W	525 - 1st Filter		KN-155	540 SXS Racing	539	KT-5201	
525 XC-W	525 - 2nd Filter		KN-157	540 SXS Racing	539 - 1st Filter	KT-5201	KN-155
540 SXS Racing	539	KT-5201		540 SXS Racing	539 - 2nd Filter	KT-5201	KN-157
540 SXS Racing	539 - 1st Filter	KT-5201	KN-155	625 SC	625 - 1st Filter		KN-155
540 SXS Racing	539 - 2nd Filter	KT-5201	KN-157	625 SC	625 - 2nd Filter		KN-157
625 SXC	625 - 1st Filter		KN-155	625 SC Supermoto	625 - 1st Filter		KN-155
625 SXC	625 - 2nd Filter		KN-157	625 SC Supermoto	625 - 2nd Filter		KN-157
640 Adventure-R	625 - 1st Filter		KN-155	625 SXC	625 - 1st Filter		KN-155
640 Adventure-R	625 - 2nd Filter		KN-156	625 SXC	625 - 2nd Filter		KN-157
640 Duke II	625 - 1st Filter		KN-155	640 Adventure-R	625 - 1st Filter		KN-155
640 Duke II	625 - 2nd Filter		KN-156	640 Adventure-R	625 - 2nd Filter		KN-156
640 LC4 Enduro	625 - 1st Filter		KN-155	640 Duke II	625 - 1st Filter		KN-155
640 LC4 Enduro	625 - 2nd Filter		KN-156	640 Duke II	625 - 2nd Filter		KN-156
640 LC4 Supermoto	625 - 1st Filter		KN-155	640 LC4-E	625 - 1st Filter		KN-155
640 LC4 Supermoto	625 - 2nd Filter		KN-156	640 LC4-E	625 - 2nd Filter		KN-156
660 SMC	660 - 1st Filter		KN-155	640 LC4-E	625 - 1st Filter		KN-155
660 SMC	660 - 2nd Filter		KN-157	Supermoto			
660 Supermoto	660 - 1st Filter		KN-155	640 LC4-E	625 - 2nd Filter		KN-156
Factory Replica				Supermoto			
660 Supermoto	660 - 2nd Filter		KN-157	660 Supermoto	660 - 1st Filter		KN-155
Factory Replica				Factory Replica			
950 Adventure	950		KN-158	660 Supermoto	660 - 2nd Filter		KN-157
950 Adventure S	950		KN-158	Factory Replica			
				950 Adventure	950		KN-158
<b>2002 KTM</b>				<b>2001 KTM</b>			
125 EXC	125	KT-5201		125 EXC	125	KT-5201	
125 SX	123	KT-5201		125 EXC 100	125	KT-5201	
125 SX	124	KT-5201		125 EXC 80	125	KT-5201	
125 SXS	123	KT-5201		125 Supermoto 100	125	KT-5201	
200 EXC	200	KT-5201		125 Supermoto 80	125	KT-5201	
200 MXC	200	KT-5201		125 SX	123	KT-5201	
250 EXC	250	KT-5201		125 SX	124	KT-5201	
250 EXC Racing	250	KT-5201		125 SXS	123	KT-5201	
250 EXC Racing	250 - 1st Filter	KT-5201	KN-155	200 EXC	200	KT-5201	
250 EXC Racing	250 - 2nd Filter	KT-5201	KN-157	200 MXC	200	KT-5201	
250 SX	250	KT-5201		250 EXC	250	KT-5201	
300 EXC	300	KT-5201		250 EXC Racing	250	KT-5201	
300 MXC	300	KT-5201		250 EXC Racing	250 - 1st Filter	KT-5201	KN-155
380 EXC	368	KT-5201		250 EXC Racing	250 - 2nd Filter	KT-5201	KN-157
380 SX	368	KT-5201		250 MXC	250	KT-5201	
400 EXC Racing	400 - 1st Filter		KN-155	250 SX	250	KT-5201	
400 EXC Racing	400 - 2nd Filter		KN-157	250 SXS	250	KT-5201	
400 EXC-G Racing	400	KT-5201		300 EXC	300	KT-5201	
400 EXC-G Racing	400 - 1st Filter	KT-5201	KN-155	300 MXC	300	KT-5201	
400 EXC-G Racing	400 - 2nd Filter	KT-5201	KN-157	380 EXC	368	KT-5201	
400 LC4	400 - 1st Filter		KN-155	380 MXC	368	KT-5201	
400 LC4	400 - 2nd Filter		KN-156	380 SX	368	KT-5201	
400 MXC Racing	400	KT-5201		400 EXC Racing	400 - 1st Filter		KN-155
400 MXC Racing	400 - 1st Filter	KT-5201	KN-155	400 EXC Racing	400 - 2nd Filter		KN-157
400 MXC Racing	400 - 2nd Filter	KT-5201	KN-157	400 LC4-E	400 - 1st Filter		KN-155
400 SX Racing	400	KT-5201		400 LC4-E	400 - 2nd Filter		KN-156
400 SX Racing	400 - 1st Filter	KT-5201	KN-155	400 MXC Racing	400	KT-5201	
400 SX Racing	400 - 2nd Filter	KT-5201	KN-157	400 MXC Racing	400 - 1st Filter	KT-5201	KN-155
520 EXC Racing	510	KT-5201		400 MXC Racing	400 - 2nd Filter	KT-5201	KN-157
520 EXC Racing	510 - 1st Filter	KT-5201	KN-155	400 SX Racing	400	KT-5201	
520 EXC Racing	510 - 2nd Filter	KT-5201	KN-157	400 SX Racing	400 - 1st Filter	KT-5201	KN-155
520 EXC-G Racing	510	KT-5201		400 SX Racing	400 - 2nd Filter	KT-5201	KN-157
520 EXC-G Racing	510 - 1st Filter	KT-5201	KN-155	520 EXC Racing	510	KT-5201	
520 EXC-G Racing	510 - 2nd Filter	KT-5201	KN-157	520 EXC Racing	510 - 1st Filter	KT-5201	KN-155
520 MXC Racing	510	KT-5201		520 EXC Racing	510 - 2nd Filter	KT-5201	KN-157
520 MXC Racing	510 - 1st Filter	KT-5201	KN-155				

\*Indicates 2 filters required

◆ - Intake kit available

Applications updated daily at [knfilters.com](http://knfilters.com) ®



# AIR & OIL FILTERS

# KTM

Vehicle	Engine Type	Air Filter	Oil Filter	Vehicle	Engine Type	Air Filter	Oil Filter
<b>2001 KTM</b>				<b>2000 KTM</b>			
520 MXC Racing	510	KT-5201		640 Duke II	625 - 2nd Filter		KN-156
520 MXC Racing	510 - 1st Filter	KT-5201	KN-155	640 LC4	625 - 1st Filter		KN-155
520 MXC Racing	510 - 2nd Filter	KT-5201	KN-157	640 LC4	625 - 2nd Filter		KN-156
520 SX Racing	510	KT-5201		640 LC4-E	625 - 1st Filter		KN-155
520 SX Racing	510 - 1st Filter	KT-5201	KN-155	640 LC4-E	625 - 2nd Filter		KN-156
520 SX Racing	510 - 2nd Filter	KT-5201	KN-157	640 LC4-E Six Days	625 - 1st Filter		KN-155
540 SXS Racing	539	KT-5201		640 LC4-E Six Days	625 - 2nd Filter		KN-156
540 SXS Racing	539 - 1st Filter	KT-5201	KN-155	640 LC4-E	625 - 1st Filter		KN-155
540 SXS Racing	539 - 2nd Filter	KT-5201	KN-157	Supermoto			
640 Adventure-R	625 - 1st Filter		KN-155	640 LC4-E	625 - 2nd Filter		KN-156
640 Adventure-R	625 - 2nd Filter		KN-156	Supermoto			
640 Duke II	625 - 1st Filter		KN-155	640 LC-E	625 - 1st Filter		KN-155
640 Duke II	625 - 2nd Filter		KN-156	640 LC-E	625 - 2nd Filter		KN-156
640 LC4	625 - 1st Filter		KN-155	<b>1999 KTM</b>			
640 LC4	625 - 2nd Filter		KN-156	125 EXC	125	KT-5201	
640 LC4 Supermoto	625 - 1st Filter		KN-155	125 SX	123	KT-5201	
640 LC4 Supermoto	625 - 2nd Filter		KN-156	125 SX	124	KT-5201	
640 LC4-E	625 - 1st Filter		KN-155	200 EGS 12LT 8KW	200	KT-5201	
640 LC4-E	625 - 2nd Filter		KN-156	200 EGS 8KW	200	KT-5201	
640 LC4-E	625 - 1st Filter		KN-155	200 EGS SGP	200	KT-5201	
Supermoto				200 EXC	200	KT-5201	
640 LC4-E	625 - 2nd Filter		KN-156	200 MXC	200	KT-5201	
Supermoto				250 EGS 11KW	250	KT-5201	
<b>2000 KTM</b>				250 EGS 12LT 11KW	250	KT-5201	
125 EXC	125	KT-5201		250 EXC	250	KT-5201	
125 EXE 100	125	KT-5201		250 EXC 12LT	250	KT-5201	
125 EXE 80	125	KT-5201		250 MXC	250	KT-5201	
125 Supermoto 100	125	KT-5201		250 SX	250	KT-5201	
125 Supermoto 80	125	KT-5201		300 EGS 10KW	300	KT-5201	
125 SX	123	KT-5201		300 EXC	300	KT-5201	
125 SX	124	KT-5201		300 EXC 12LT	300	KT-5201	
200 EXC	200	KT-5201		300 MXC 12LT	300	KT-5201	
200 EXC GS 8KW	200	KT-5201		380 EGS 8KW	368	KT-5201	
200 EXC SGP	200	KT-5201		380 EXC	368	KT-5201	
200 MXC	200	KT-5201		380 MXC 12LT	368	KT-5201	
250 EXC	250	KT-5201		380 SX	368	KT-5201	
250 MXC	250	KT-5201		400 EXC	400 - 1st Filter		KN-155
250 SX	250	KT-5201		400 EXC	400 - 2nd Filter		KN-157
300 EXC	300	KT-5201		400 EXC Racing	400 - 1st Filter		KN-155
300 MXC	300	KT-5201		400 EXC Racing	400 - 2nd Filter		KN-157
380 EXC	368	KT-5201		400 EXC-E Racing	400 - 1st Filter		KN-155
380 MXC	368	KT-5201		400 EXC-E Racing	400 - 2nd Filter		KN-157
380 SX	368	KT-5201		400 LC4	400 - 1st Filter		KN-155
400 EXC Racing	400	KT-5201		400 LC4	400 - 2nd Filter		KN-156
400 EXC Racing	400 - 1st Filter	KT-5201	KN-155	400 LC4 R	400 - 1st Filter		KN-155
400 EXC Racing	400 - 2nd Filter	KT-5201	KN-157	400 LC4 R	400 - 2nd Filter		KN-156
400 LC4-E	400 - 1st Filter		KN-155	400 LC4-E SF	400 - 1st Filter		KN-155
400 LC4-E	400 - 2nd Filter		KN-156	400 LC4-E SF	400 - 2nd Filter		KN-156
400 MXC Racing	400 - 1st Filter		KN-155	400 MXC Racing	400 - 1st Filter		KN-155
400 MXC Racing	400 - 2nd Filter		KN-157	400 MXC Racing	400 - 2nd Filter		KN-157
400 SX Racing	400	KT-5201		400 SX Racing	400 - 1st Filter		KN-155
400 SX Racing	400 - 1st Filter	KT-5201	KN-155	400 SX Racing	400 - 2nd Filter		KN-157
400 SX Racing	400 - 2nd Filter	KT-5201	KN-157	520 EXC Racing	520 - 1st Filter		KN-155
520 EXC Racing	510	KT-5201		520 EXC Racing	520 - 2nd Filter		KN-157
520 EXC Racing	510 - 1st Filter	KT-5201	KN-155	520 EXC-E	510 - 1st Filter		KN-155
520 EXC Racing	510 - 2nd Filter	KT-5201	KN-157	520 EXC-E	510 - 2nd Filter		KN-157
520 MXC Racing	520 - 1st Filter		KN-155	520 MXC Racing	520 - 1st Filter		KN-155
520 MXC Racing	520 - 2nd Filter		KN-157	520 MXC Racing	520 - 2nd Filter		KN-157
520 SX Racing	520	KT-5201		520 SX Racing	520 - 1st Filter		KN-155
520 SX Racing	520 - 1st Filter	KT-5201	KN-155	520 SX Racing	520 - 2nd Filter		KN-157
520 SX Racing	520 - 2nd Filter	KT-5201	KN-157	620 LC4 Competition	620 - 1st Filter		KN-155
640 Adventure-R	625 - 1st Filter		KN-155	620 LC4 Competition	620 - 2nd Filter		KN-156
640 Adventure-R	625 - 2nd Filter		KN-156	640 Adventure-R	625 - 1st Filter		KN-155
640 Duke II	625 - 1st Filter		KN-155	640 Adventure-R	625 - 2nd Filter		KN-156

\*Indicates 2 filters required

◆ - Intake kit available

Applications updated daily at [knfilters.com](http://knfilters.com) ®

**Partial Listing - Complete List of Vehicles and Applications at [knfilters.com](http://knfilters.com)**

Vehicle	Engine Type	Air Filter	Oil Filter
<b>1999 KTM</b>			
640 Duke II	625 - 1st Filter		KN-155
640 Duke II	625 - 2nd Filter		KN-156
640 LC4	625 - 1st Filter		KN-155
640 LC4	625 - 2nd Filter		KN-156
640 LC4 Six Days	625 - 1st Filter		KN-155
640 LC4 Six Days	625 - 2nd Filter		KN-156
640 LC4 Supermoto	625 - 1st Filter		KN-155
640 LC4 Supermoto	625 - 2nd Filter		KN-156
125 EGS 6KW	125	KT-5201	

Vehicle	Engine Type	Air Filter	Oil Filter
<b>1998 KTM</b>			
125 EXC	125	KT-5201	
125 SX	123	KT-5201	
125 SX	124	KT-5201	
200 EGS 12LT 8KW	200	KT-5201	
200 EGS 8KW	200	KT-5201	
200 EXC	200	KT-5201	
200 MXC	200	KT-5201	
250 EGS 11KW	250	KT-5201	
250 EGS 12LT 11KW	250	KT-5201	
250 EXC	250	KT-5201	
250 EXC 12LT	250	KT-5201	
250 MXC	250	KT-5201	
250 SX	250	KT-5201	
300 EGS 10KW	300	KT-5201	
300 EXC	300	KT-5201	
300 EXC 12LT	300	KT-5201	
300 MXC 12LT	300	KT-5201	
380 EGS 12LT 8KW	368	KT-5201	
380 EGS 8KW	368	KT-5201	
380 EXC	368	KT-5201	
380 EXC 12LT	368	KT-5201	
380 MXC 12LT	368	KT-5201	
380 SX	368	KT-5201	
400 LC4	400 - 1st Filter		KN-155
400 LC4	400 - 2nd Filter		KN-156
620 LC4 Competition	620 - 1st Filter		KN-155
620 LC4 Competition	620 - 2nd Filter		KN-156
640 Adventure-R	625 - 1st Filter		KN-155
640 Adventure-R	625 - 2nd Filter		KN-156
640 Duke-E	625 - 1st Filter		KN-155
640 Duke-E	625 - 2nd Filter		KN-156
640 LC4	625 - 1st Filter		KN-155
640 LC4	625 - 2nd Filter		KN-156
125 EGS 6KW	125	KT-5201	

Vehicle	Engine Type	Air Filter	Oil Filter
<b>1997 KTM</b>			
400 EGS	400 - 1st Filter		KN-155
400 EGS	400 - 2nd Filter		KN-156
400 EGS-E	400 - 1st Filter		KN-155
400 EGS-E	400 - 2nd Filter		KN-156
620 Duke	609 - 1st Filter		KN-155
620 Duke	609 - 2nd Filter		KN-156
620 EGS	620 - 1st Filter		KN-155
620 EGS	620 - 2nd Filter		KN-156
620 EGS-E	620 - 1st Filter		KN-155
620 EGS-E	620 - 2nd Filter		KN-156
640 LC4 Rallye Dakar	640 - 1st Filter		KN-155
640 LC4 Rallye Dakar	640 - 2nd Filter		KN-156

Vehicle	Engine Type	Air Filter	Oil Filter
<b>1996 KTM</b>			
400 EGS	400 - 1st Filter		KN-155
400 EGS	400 - 2nd Filter		KN-156
620 Duke	609 - 1st Filter		KN-155
620 Duke	609 - 2nd Filter		KN-156

Vehicle	Engine Type	Air Filter	Oil Filter
<b>1996 KTM</b>			
620 EGS	620 - 1st Filter		KN-155
620 EGS	620 - 2nd Filter		KN-156

Vehicle	Engine Type	Air Filter	Oil Filter
<b>1995 KTM</b>			
620 EGS	620 - 1st Filter		KN-155
620 EGS	620 - 2nd Filter		KN-156

Vehicle	Engine Type	Air Filter	Oil Filter
<b>1994 KTM</b>			
400 EGS	400 - 1st Filter		KN-155
400 EGS	400 - 2nd Filter		KN-156
620 Duke	609 - 1st Filter		KN-155
620 Duke	609 - 2nd Filter		KN-156
620 EGS	620 - 1st Filter		KN-155
620 EGS	620 - 2nd Filter		KN-156

Vehicle	Engine Type	Air Filter	Oil Filter
<b>2010 KYMCO</b>			
Xciting 500Ri	499		KN-147

Vehicle	Engine Type	Air Filter	Oil Filter
<b>2009 KYMCO</b>			
Mongoose 250	250	KY-2504	
Mongoose 300	300	KY-2504	
MXU 250	250	KY-2504	
MXU 300	300	KY-2504	
Xciting 500	499		KN-147
Xciting 500Ri	499		KN-147

Vehicle	Engine Type	Air Filter	Oil Filter
<b>2008 KYMCO</b>			
Mongoose 250	250	KY-2504	
Mongoose 300	300	KY-2504	
MXU 250	250	KY-2504	
MXU 300	300	KY-2504	
MXU 400	400		KN-138
			KN-138C
MXU 500 4x4	500		KN-147
MXU 500 4x4 Camo	500		KN-147
Xciting 500	499		KN-147
Xciting 500 Ri	499		KN-147

Vehicle	Engine Type	Air Filter	Oil Filter
<b>2007 KYMCO</b>			
Mongoose 250	250	KY-2504	
Mongoose 300	300	KY-2504	
MXU 250	250	KY-2504	
MXU 300	300	KY-2504	
MXU 500 4x4	500		KN-147
Xciting 500	499		KN-147

Vehicle	Engine Type	Air Filter	Oil Filter
<b>2006 KYMCO</b>			
Mongoose 250	250	KY-2504	
Mongoose 300	300	KY-2504	
MXU 250	250	KY-2504	
MXU 300	300	KY-2504	
MXU 500 4x4	500		KN-147
Xciting 500	499		KN-147

Vehicle	Engine Type	Air Filter	Oil Filter
<b>2005 KYMCO</b>			
Mongoose 250	250	KY-2504	
MXU 250	250	KY-2504	
Xciting 500	499		KN-147

Vehicle	Engine Type	Air Filter	Oil Filter
<b>2004 KYMCO</b>			
KXR250	250	KY-2504	
Mongoose 250	250	KY-2504	

Vehicle	Engine Type	Air Filter	Oil Filter
<b>2008 LADA</b>			
Niva	1.7L L4 F/I	33-2003	

Vehicle	Engine Type	Air Filter	Oil Filter
<b>2007 LADA</b>			
Niva	1.7L L4 F/I	33-2003	
Niva	1.9L L4 DSL	E-9184	

\*Indicates 2 filters required    ♦ - Intake kit available    Applications updated daily at [knfilters.com](http://knfilters.com) ®

# AIR & OIL FILTERS

# LADA

Vehicle	Engine Type	Air Filter	Oil Filter	Vehicle	Engine Type	Air Filter	Oil Filter
<b>2006 LADA</b>				<b>1996 LADA</b>			
Niva	1.7L L4 F/I	33-2003		Nova	1.5L L4 CARB	E-2670	
Niva	1.9L L4 DSL	E-9184		Nova	1.7L L4 CARB	E-2670	
<b>2005 LADA</b>				Nova	1.7L L4 F/I	E-2670	
Niva	1.7L L4 F/I	33-2003		Samara	1.3L L4 CARB	E-2670	
Niva	1.9L L4 DSL	E-9184		Samara	1.3L L4 F/I	E-2670	
<b>2004 LADA</b>				Samara	1.5L L4 CARB	E-2670	
Niva	1.7L L4 F/I	33-2003		Samara	1.5L L4 F/I	E-2670	
Niva	1.9L L4 DSL	E-9184		<b>1995 LADA</b>			
<b>2003 LADA</b>				Niva	1.6L L4 F/I	E-2670	
Niva	1.7L L4 F/I	33-2003		Niva	1.7L L4 CARB	E-2670	
Niva	1.9L L4 DSL	E-9184		Niva	1.7L L4 F/I	E-2670	
<b>2002 LADA</b>				Niva	1.9L L4 DSL	E-9184	
Niva	1.7L L4 F/I	33-2003		Nova	1.5L L4 CARB	E-2670	
Niva	1.9L L4 DSL	E-9184		Samara	1.3L L4 CARB	E-2670	
<b>2001 LADA</b>				Samara	1.3L L4 F/I	E-2670	
Niva	1.7L L4 F/I	33-2003		Samara	1.5L L4 CARB	E-2670	
Niva	1.9L L4 DSL	E-9184		Samara	1.5L L4 F/I	E-2670	
<b>2000 LADA</b>				<b>1994 LADA</b>			
Niva	1.7L L4 CARB	E-2670		Niva	1.6L L4 CARB - Non-US	E-2670	
Niva	1.7L L4 F/I - 80BHP	E-2670		Niva	1.6L L4 F/I	E-2670	
Niva	1.7L L4 F/I - 82BHP	33-2003		Niva	1.7L L4 CARB	E-2670	
Niva	1.9L L4 DSL	E-9184		Niva	1.7L L4 F/I	E-2670	
Nova	1.5L L4 CARB	E-2670		Nova	1.5L L4 CARB	E-2670	
Nova	1.7L L4 CARB	E-2670		Samara	1.3L L4 CARB	E-2670	
Nova	1.7L L4 F/I	E-2670		Samara	1.3L L4 F/I	E-2670	
<b>1999 LADA</b>				Samara	1.5L L4 CARB	E-2670	
Niva	1.7L L4 CARB	E-2670		Samara	1.5L L4 F/I	E-2670	
Niva	1.7L L4 F/I	E-2670		<b>1993 LADA</b>			
Niva	1.9L L4 DSL	E-9184		Niva	1.6L L4 CARB - Non-US	E-2670	
Nova	1.5L L4 CARB	E-2670		Niva	1.6L L4 F/I	E-2670	
Nova	1.7L L4 CARB	E-2670		Nova	1.5L L4 CARB	E-2670	
Nova	1.7L L4 F/I	E-2670		Samara	1.5L L4 CARB - Non-US	E-2670	
<b>1998 LADA</b>				Samara	1.5L L4 F/I	E-2670	
Niva	1.7L L4 CARB	E-2670		<b>1992 LADA</b>			
Niva	1.7L L4 F/I	E-2670		Niva	1.6L L4 CARB - Non-US	E-2670	
Niva	1.9L L4 DSL	E-9184		Niva	1.6L L4 F/I	E-2670	
Nova	1.5L L4 CARB	E-2670		Samara	1.3L L4 CARB - Non-US	E-2670	
Nova	1.7L L4 CARB	E-2670		Samara	1.3L L4 F/I	E-2670	
Nova	1.7L L4 F/I	E-2670		Samara	1.5L L4 CARB - Non-US	E-2670	
Samara	1.1L L4 CARB	E-2670		Samara	1.5L L4 F/I	E-2670	
Samara	1.1L L4 F/I	E-2670		<b>1991 LADA</b>			
Samara	1.3L L4 CARB	E-2670		Niva	1.6L L4 CARB - Non-US	E-2670	
Samara	1.3L L4 F/I	E-2670		Niva	1.6L L4 F/I	E-2670	
Samara	1.5L L4 CARB	E-2670		Samara	1.3L L4 CARB - Non-US	E-2670	
Samara	1.5L L4 F/I	E-2670		Samara	1.3L L4 F/I	E-2670	
<b>1997 LADA</b>				Samara	1.5L L4 CARB - Non-US	E-2670	
Niva	1.7L L4 CARB	E-2670		Samara	1.5L L4 F/I	E-2670	
Niva	1.7L L4 F/I	E-2670		<b>1990 LADA</b>			
Niva	1.9L L4 DSL	E-9184		Niva	1.6L L4 CARB - Non-US	E-2670	
Nova	1.7L L4 CARB	E-2670		Niva	1.6L L4 F/I	E-2670	
Nova	1.7L L4 F/I	E-2670		Nova	1.5L L4 CARB	E-2670	
Samara	1.3L L4 CARB	E-2670		Nova	1.6L L4 F/I	E-2670	
Samara	1.3L L4 F/I	E-2670		Samara	1.3L L4 CARB - Non-US	E-2670	
Samara	1.5L L4 CARB	E-2670		Samara	1.3L L4 F/I	E-2670	
Samara	1.5L L4 F/I	E-2670		<b>1996 LADA</b>			
<b>1996 LADA</b>				Niva	1.7L L4 CARB	E-2670	
Niva	1.7L L4 CARB	E-2670		Niva	1.7L L4 F/I	E-2670	
Niva	1.7L L4 F/I	E-2670		Niva	1.9L L4 DSL	E-9184	
Niva	1.9L L4 DSL	E-9184					

\*Indicates 2 filters required

◆ - Intake kit available

Applications updated daily at [knfilters.com](http://knfilters.com) ®

Partial Listing - Complete List of Vehicles and Applications at [knfilters.com](http://knfilters.com)

# LADA

# AIR & OIL FILTERS

Vehicle	Engine Type	Air Filter	Oil Filter
<b>1990 LADA</b>			
Samara	1.5L L4 CARB - Non-US	E-2670	
Samara	1.5L L4 F/I	E-2670	
<b>1987 LADA</b>			
1200-1600	1.3L L4 CARB	E-2670	
<b>1991 LAMBORGHINI</b>			
Countach	5.2L V12 F/I	33-2574	
<b>1990 LAMBORGHINI</b>			
Countach	5.2L V12 F/I	33-2574	
<b>1989 LAMBORGHINI</b>			
Countach	5.2L V12 F/I	33-2574	
<b>1988 LAMBORGHINI</b>			
Countach	5.2L V12 F/I	33-2574	
<b>1987 LAMBORGHINI</b>			
Countach	5.2L V12 F/I	33-2574	
<b>1986 LAMBORGHINI</b>			
Countach	5.2L V12 F/I	33-2574	
<b>1985 LAMBORGHINI</b>			
Countach	4.8L V12 CARB	33-2574	
Countach	5.2L V12 F/I	33-2574	
<b>1984 LAMBORGHINI</b>			
Countach	4.8L V12 CARB	33-2574	
<b>1980 LAMBORGHINI</b>			
Countach	3.9L V12 CARB - w/Panel Filter	33-2574	
Countach	3.9L V12 CARB - w/Round Filter	E-2950	
Espada	4.0L V12 CARB	E-2950	
<b>2011 LANCIA</b>			
Delta III	1.4L L4 F/I	E-2995	
Delta III	1.6L L4 DSL	E-2995	
Delta III	1.8L L4 F/I	E-2995	
Delta III	1.9L L4 DSL	E-2995	
Delta III	2.0L L4 DSL	E-2995	
Musa	1.3L L4 DSL	33-2932	
Musa	1.4L L4 F/I - 16v	33-2842	
Musa	1.4L L4 F/I - 8v	33-2931	
Musa	1.6L L4 DSL	E-2862	
Ypsilon	1.2L L4 F/I	33-2842	
Ypsilon	1.3L L4 DSL	33-2932	
Ypsilon	1.4L L4 F/I - 16v	33-2842	
Ypsilon	1.4L L4 F/I - 8v	33-2931	
<b>2010 LANCIA</b>			
Delta III	1.4L L4 F/I	E-2995	
Delta III	1.6L L4 DSL	E-2995	
Delta III	1.8L L4 F/I	E-2995	
Delta III	1.9L L4 DSL	E-2995	
Delta III	2.0L L4 DSL	E-2995	
Musa	1.3L L4 DSL	33-2932	
Musa	1.4L L4 F/I - 16v	33-2842	
Musa	1.4L L4 F/I - 8v	33-2931	
Musa	1.6L L4 DSL	E-2862	
Musa	1.9L L4 DSL	E-2862	
Ypsilon	1.2L L4 F/I	33-2842	
Ypsilon	1.3L L4 DSL	33-2932	
Ypsilon	1.4L L4 F/I - 16v	33-2842	
Ypsilon	1.4L L4 F/I - 8v	33-2931	
<b>2009 LANCIA</b>			
Delta III	1.4L L4 F/I	E-2995	

Vehicle	Engine Type	Air Filter	Oil Filter
<b>2009 LANCIA</b>			
Delta III	1.6L L4 DSL	E-2995	
Delta III	1.8L L4 F/I	E-2995	
Delta III	1.9L L4 DSL	E-2995	
Delta III	2.0L L4 DSL	E-2995	
Musa	1.3L L4 DSL	33-2932	
Musa	1.4L L4 F/I - 16v	33-2842	
Musa	1.4L L4 F/I - 8v	33-2931	
Musa	1.6L L4 DSL	E-2862	
Musa	1.9L L4 DSL	E-2862	
Ypsilon	1.2L L4 F/I	33-2842	
Ypsilon	1.3L L4 DSL	33-2932	
Ypsilon	1.4L L4 F/I - 16v	33-2842	
Ypsilon	1.4L L4 F/I - 8v	33-2931	
<b>2008 LANCIA</b>			
Delta III	1.4L L4 F/I	E-2995	
Delta III	1.6L L4 DSL	E-2995	
Delta III	1.9L L4 DSL	E-2995	
Delta III	2.0L L4 DSL	E-2995	
Musa	1.4L L4 F/I - 16v	33-2842	
Musa	1.4L L4 F/I - 8v	33-2931	
Musa	1.6L L4 DSL	E-2862	
Musa	1.9L L4 DSL	E-2862	
Phedra	2.2L L4 DSL	33-2626	
Thesis	2.0L L5 F/I	E-2012	
Thesis	2.4L L5 F/I	E-2012	
Ypsilon	1.2L L4 F/I	33-2842	
Ypsilon	1.3L L4 DSL	33-2932	
Ypsilon	1.4L L4 F/I - 16v	33-2842	
Ypsilon	1.4L L4 F/I - 8v	33-2931	
<b>2007 LANCIA</b>			
Musa	1.2L L4 F/I	33-2842	
Musa	1.3L L4 DSL	33-2932	
Musa	1.4L L4 F/I - 16v	33-2842	
Musa	1.4L L4 F/I - 8v	33-2931	
Musa	1.9L L4 DSL	E-2862	
Phedra	2.0L L4 DSL	33-2626	
Phedra	2.2L L4 DSL - from 10/07	33-2626	
Phedra	2.2L L4 DSL - to 9/07	33-2539	
Thesis	2.0L L5 F/I	E-2012	
Thesis	2.4L L5 F/I	E-2012	
Ypsilon	1.2L L4 F/I - 60BHP	33-2870 ♦	
Ypsilon	1.2L L4 F/I - 80BHP	33-2842 ♦	
Ypsilon	1.3L L4 DSL	33-2932	
Ypsilon	1.4L L4 F/I - 16v	33-2842 ♦	
Ypsilon	1.4L L4 F/I - 8v	33-2931 ♦	
<b>2006 LANCIA</b>			
Musa	1.2L L4 F/I - 16v	33-2842	
Musa	1.3L L4 DSL	33-2932	
Musa	1.4L L4 F/I - 16v	33-2842	
Musa	1.4L L4 F/I - 8v	33-2931	
Musa	1.9L L4 DSL	E-2862	
Phedra	2.0L L4 DSL	33-2539	
Phedra	2.2L L4 DSL	33-2539	
Phedra	3.0L V6 F/I	33-2539	
Thesis	2.0L L5 F/I	E-2012	
Thesis	2.4L L5 F/I	E-2012	
Thesis	3.2L V6 F/I	E-2012	
Ypsilon	1.2L L4 F/I - 60BHP	33-2870 ♦	
Ypsilon	1.2L L4 F/I - 80BHP	33-2842 ♦	
Ypsilon	1.3L L4 DSL	33-2932	
Ypsilon	1.4L L4 F/I - 16v	33-2842 ♦	

\*Indicates 2 filters required

♦ - Intake kit available

Applications updated daily at [knfilters.com](http://knfilters.com) ®

# AIR & OIL FILTERS

# LANCIA

Vehicle	Engine Type	Air Filter	Oil Filter
<b>2006 LANCIA</b>			
Ypsilon	1.4L L4 F/I - 8v	33-2931 ♦	
<b>2005 LANCIA</b>			
Lybra	1.6L L4 F/I	E-2012	
Lybra	1.8L L4 F/I	E-2012	
Lybra	1.9L L4 DSL	E-2012	
Lybra	2.0L L5 F/I	E-2012	
Lybra	2.4L L5 DSL	E-2012	
Musa	1.3L L4 DSL	33-2932	
Musa	1.4L L4 F/I - 16v	33-2842	
Musa	1.4L L4 F/I - 8v	33-2931	
Musa	1.9L L4 DSL	E-2862	
Phedra	2.0L L4 DSL	33-2539	
Phedra	2.0L L4 F/I	33-2539	
Phedra	2.2L L4 DSL	33-2539	
Phedra	3.0L V6 F/I	33-2539	
Thesis	2.0L L5 F/I	E-2012	
Thesis	2.4L L5 DSL	E-2012	
Thesis	2.4L L5 F/I	E-2012	
Thesis	3.0L V6 F/I	E-2012	
Thesis	3.2L V6 F/I	E-2012	
Ypsilon	1.2L L4 F/I	33-2870 ♦	
Ypsilon	1.2L L4 F/I - 80BHP	33-2842 ♦	
Ypsilon	1.3L L4 DSL	33-2932	
Ypsilon	1.4L L4 F/I - 16v	33-2842 ♦	
<b>2004 LANCIA</b>			
Lybra	1.6L L4 F/I	E-2012	
Lybra	1.8L L4 F/I	E-2012	
Lybra	1.9L L4 DSL	E-2012	
Lybra	2.0L L5 F/I	E-2012	
Lybra	2.4L L5 DSL	E-2012	
Musa	1.3L L4 DSL	33-2932	
Musa	1.4L L4 F/I - 16v	33-2842	
Musa	1.4L L4 F/I - 8v	33-2931	
Musa	1.9L L4 DSL	E-2862	
Phedra	2.0L L4 DSL	33-2539	
Phedra	2.0L L4 F/I	33-2539	
Phedra	2.2L L4 DSL	33-2539	
Phedra	3.0L V6 F/I	33-2539	
Thesis	2.0L L5 F/I	E-2012	
Thesis	2.4L L5 DSL	E-2012	
Thesis	2.4L L5 F/I	E-2012	
Thesis	3.0L V6 F/I	E-2012	
Thesis	3.2L V6 F/I	E-2012	
Ypsilon	1.2L L4 F/I - 60BHP	33-2870 ♦	
Ypsilon	1.2L L4 F/I - 80BHP	33-2842 ♦	
Ypsilon	1.3L L4 DSL	33-2932	
Ypsilon	1.4L L4 F/I - 16v	33-2842 ♦	
<b>2003 LANCIA</b>			
Lybra	1.6L L4 F/I	E-2012	
Lybra	1.8L L4 F/I	E-2012	
Lybra	1.9L L4 DSL	E-2012	
Lybra	2.0L L5 F/I	E-2012	
Lybra	2.4L L5 DSL	E-2012	
Phedra	2.0L L4 DSL	33-2539	
Phedra	2.0L L4 F/I	33-2539	
Phedra	2.2L L4 DSL	33-2539	
Phedra	3.0L V6 F/I	33-2539	
Thesis	2.0L L5 F/I	E-2012	
Thesis	2.4L L5 DSL	E-2012	
Thesis	2.4L L5 F/I	E-2012	
Thesis	3.0L V6 F/I	E-2012	
Thesis	3.2L V6 F/I	E-2012	

Vehicle	Engine Type	Air Filter	Oil Filter
<b>2003 LANCIA</b>			
Y	1.2L L4 F/I - 60BHP	E-2863	
Y	1.2L L4 F/I - 80BHP	33-2197	
Y	1.2L L4 F/I - 86BHP	33-2730	
Y	1.4L L4 F/I	33-2729	
Ypsilon	1.2L L4 F/I - 60BHP	33-2870 ♦	
Ypsilon	1.2L L4 F/I - 80BHP	33-2842 ♦	
Ypsilon	1.3L L4 DSL	33-2932	
Ypsilon	1.4L L4 F/I - 16v	33-2842 ♦	
<b>2002 LANCIA</b>			
Lybra	1.6L L4 F/I	E-2012	
Lybra	1.8L L4 F/I	E-2012	
Lybra	1.9L L4 DSL	E-2012	
Lybra	2.0L L5 F/I	E-2012	
Lybra	2.4L L5 DSL	E-2012	
Phedra	2.0L L4 DSL	33-2539	
Phedra	2.0L L4 F/I	33-2539	
Phedra	2.2L L4 DSL	33-2539	
Phedra	3.0L V6 F/I	33-2539	
Thesis	2.0L L5 F/I	E-2012	
Thesis	2.4L L5 DSL	E-2012	
Thesis	2.4L L5 F/I	E-2012	
Thesis	3.0L V6 F/I	E-2012	
Y	1.2L L4 F/I - 60BHP	E-2863	
Y	1.2L L4 F/I - 80BHP	33-2197	
Y	1.2L L4 F/I - 86BHP	33-2730	
Y	1.4L L4 F/I	33-2729	
Zeta	2.0L L4 DSL	33-2539	
Zeta	2.0L L4 F/I	33-2539	
<b>2001 LANCIA</b>			
Kappa	2.4L L5 DSL	E-9228	
Kappa	3.0L V6 F/I	E-9228	
Lybra	1.6L L4 F/I	E-2012	
Lybra	1.8L L4 F/I	E-2012	
Lybra	1.9L L4 DSL	E-2012	
Lybra	2.0L L5 F/I	E-2012	
Lybra	2.4L L5 DSL	E-2012	
Y	1.2L L4 F/I - 60BHP	E-2863	
Y	1.2L L4 F/I - 80BHP	33-2197	
Y	1.2L L4 F/I - 86BHP	33-2730	
Y	1.4L L4 F/I	33-2729	
Zeta	2.0L L4 DSL	33-2539	
Zeta	2.0L L4 F/I	33-2539	
<b>2000 LANCIA</b>			
Delta II	1.4L L4 F/I	33-2586	
Delta II	1.8L L4 F/I	33-2689	
Delta II	2.0L L4 F/I	33-2689	
Kappa	2.0L L5 F/I - 16v	33-2593	
Kappa	2.0L L5 F/I - 20v	E-9228	
Kappa	2.4L L5 DSL	E-9228	
Kappa	2.4L L5 F/I	E-9228	
Kappa	3.0L V6 F/I	E-9228	
Lybra	1.6L L4 F/I	E-2012	
Lybra	1.8L L4 F/I	E-2012	
Lybra	1.9L L4 DSL	E-2012	
Lybra	2.0L L5 F/I	E-2012	
Lybra	2.4L L5 DSL	E-2012	
Y	1.1L L4 F/I	33-2586	
Y	1.2L L4 F/I - 60BHP, from 7/00	E-2863	
Y	1.2L L4 F/I - 60BHP, to 6/00	33-2586	
Y	1.2L L4 F/I - 80BHP	33-2197	
Y	1.2L L4 F/I - 86BHP	33-2730	

\*Indicates 2 filters required

♦ - Intake kit available

Applications updated daily at [knfilters.com](http://knfilters.com) ®

Partial Listing - Complete List of Vehicles and Applications at [knfilters.com](http://knfilters.com)

# LANCIA

# AIR & OIL FILTERS

Vehicle	Engine Type	Air Filter	Oil Filter
<b>2000 LANCIA</b>			
Y	1.4L L4 F/I	33-2729	
Zeta	2.0L L4 DSL	33-2539	
Zeta	2.0L L4 F/I	33-2539	
<b>1999 LANCIA</b>			
Dedra	1.6L L4 F/I - 75BHP	33-2727	
Dedra	1.6L L4 F/I - Exc., 75BHP	33-2689	
Dedra	1.8L L4 F/I	33-2689	
Dedra	2.0L L4 F/I	33-2689	
Delta II	1.4L L4 F/I	33-2586	
Delta II	1.6L L4 F/I - 75BHP	33-2727	
Delta II	1.6L L4 F/I - Exc., 75BHP	33-2689	
Delta II	1.8L L4 F/I	33-2689	
Delta II	2.0L L4 F/I	33-2689	
Kappa	2.0L L5 F/I - 16v	33-2593	
Kappa	2.0L L5 F/I - 20v	E-9228	
Kappa	2.4L L5 DSL	E-9228	
Kappa	2.4L L5 F/I	E-9228	
Kappa	3.0L V6 F/I	E-9228	
Lybra	1.6L L4 F/I	E-2012	
Lybra	1.8L L4 F/I	E-2012	
Lybra	1.9L L4 DSL	E-2012	
Lybra	2.0L L5 F/I	E-2012	
Lybra	2.4L L5 DSL	E-2012	
Y	1.1L L4 F/I	33-2586	
Y	1.2L L4 F/I - 60BHP	33-2586	
Y	1.2L L4 F/I - 86BHP	33-2730	
Y	1.4L L4 F/I	33-2729	
Zeta	2.0L L4 DSL	33-2539	
Zeta	2.0L L4 F/I	33-2539	
Zeta	2.1L L4 DSL	33-2539	
<b>1998 LANCIA</b>			
Dedra	1.6L L4 F/I - 75BHP	33-2727	
Dedra	1.6L L4 F/I - Exc., 75BHP	33-2689	
Dedra	1.8L L4 F/I	33-2689	
Dedra	2.0L L4 F/I	33-2689	
Delta II	1.4L L4 F/I	33-2586	
Delta II	1.6L L4 F/I - 75BHP	33-2727	
Delta II	1.6L L4 F/I - Exc., 75BHP	33-2689	
Delta II	1.8L L4 F/I	33-2689	
Delta II	2.0L L4 F/I	33-2689	
Kappa	2.0L L5 F/I - 16v	33-2593	
Kappa	2.0L L5 F/I - 20v	E-9228	
Kappa	2.4L L5 DSL	E-9228	
Kappa	2.4L L5 F/I	E-9228	
Kappa	3.0L V6 F/I	E-9228	
Y	1.1L L4 F/I	33-2586	
Y	1.2L L4 F/I - 60BHP	33-2586	
Y	1.2L L4 F/I - 86BHP	33-2730	
Y	1.4L L4 F/I	33-2729	
Zeta	2.0L L4 F/I	33-2539	
Zeta	2.1L L4 DSL	33-2539	
<b>1997 LANCIA</b>			
Dedra	1.6L L4 F/I - 75BHP	33-2727	
Dedra	1.6L L4 F/I - Exc., 75BHP	33-2689	
Dedra	1.8L L4 F/I	33-2689	
Dedra	2.0L L4 F/I	33-2689	
Delta II	1.4L L4 F/I	33-2586	
Delta II	1.6L L4 F/I - 75BHP	33-2727	
Delta II	1.6L L4 F/I - Exc., 75BHP	33-2689	
Delta II	1.8L L4 F/I	33-2689	
Delta II	2.0L L4 F/I	33-2689	
Kappa	2.0L L5 F/I - 16v	33-2593	
Kappa	2.0L L5 F/I - 20v	E-9228	
Kappa	2.4L L5 DSL	E-9228	
Kappa	2.4L L5 F/I	E-9228	
Kappa	3.0L V6 F/I	E-9228	
Y10	1.1L L4 CARB	33-2544	
Y10	1.1L L4 F/I	33-2544	
Y10	1.3L L4 F/I	33-2629	
Zeta	2.0L L4 F/I	33-2539	

Vehicle	Engine Type	Air Filter	Oil Filter
<b>1997 LANCIA</b>			
Delta II	1.8L L4 F/I	33-2689	
Delta II	2.0L L4 F/I	33-2689	
Kappa	2.0L L5 F/I - 16v	33-2593	
Kappa	2.0L L5 F/I - 20v	E-9228	
Kappa	2.4L L5 DSL	E-9228	
Kappa	2.4L L5 F/I	E-9228	
Kappa	3.0L V6 F/I	E-9228	
Y	1.1L L4 F/I	33-2586	
Y	1.2L L4 F/I - 60BHP	33-2586	
Y	1.2L L4 F/I - 86BHP	33-2730	
Y	1.4L L4 F/I	33-2729	
Zeta	2.0L L4 F/I	33-2539	
Zeta	2.1L L4 DSL	33-2539	
<b>1996 LANCIA</b>			
Dedra	1.6L L4 F/I - 75BHP	33-2727	
Dedra	1.6L L4 F/I - Exc., 75BHP	33-2689	
Dedra	1.8L L4 F/I	33-2689	
Dedra	2.0L L4 F/I	33-2689	
Delta II	1.4L L4 F/I	33-2586	
Delta II	1.6L L4 F/I - 75BHP	33-2727	
Delta II	1.6L L4 F/I - Exc., 75BHP	33-2689	
Delta II	1.8L L4 F/I	33-2689	
Delta II	2.0L L4 F/I	33-2689	
Kappa	2.0L L5 F/I - 16v	33-2593	
Kappa	2.0L L5 F/I - 20v	E-9228	
Kappa	2.4L L5 DSL	E-9228	
Kappa	2.4L L5 F/I	E-9228	
Kappa	3.0L V6 F/I	E-9228	
Y	1.1L L4 F/I	33-2586	
Y	1.2L L4 F/I	33-2586	
Y	1.4L L4 F/I	33-2729	
Zeta	2.0L L4 F/I	33-2539	
<b>1995 LANCIA</b>			
Dedra	1.8L L4 F/I	33-2689	
Dedra	2.0L L4 F/I	33-2689	
Delta I	2.0L L4 F/I	33-2689 ♦	
Delta II	1.4L L4 F/I	33-2586	
Delta II	1.6L L4 F/I	33-2727	
Delta II	1.8L L4 F/I	33-2689	
Delta II	2.0L L4 F/I	33-2689	
Kappa	2.0L L5 F/I - 16v	33-2593	
Kappa	2.0L L5 F/I - 20v	E-9228	
Kappa	2.4L L5 DSL	E-9228	
Kappa	2.4L L5 F/I	E-9228	
Kappa	3.0L V6 F/I	E-9228	
Y10	1.1L L4 CARB	33-2544	
Y10	1.1L L4 F/I	33-2544	
Y10	1.3L L4 F/I	33-2629	
Zeta	2.0L L4 F/I	33-2539	
<b>1994 LANCIA</b>			
Dedra	1.8L L4 F/I - Exc., 90/105BHP	33-2689	
Dedra	2.0L L4 F/I - 139BHP	33-2689	
Delta I	2.0L L4 F/I	33-2689 ♦	
Delta II	1.6L L4 F/I	33-2727	
Delta II	1.8L L4 F/I	33-2689	
Thema	2.0L L4 F/I	33-2593	
Thema	2.5L L4 DSL	33-2593	
<b>1993 LANCIA</b>			
Delta I	2.0L L4 F/I	33-2689 ♦	
Delta II	2.0L L4 F/I	33-2689	

\*Indicates 2 filters required

♦ - Intake kit available

Applications updated daily at [knfilters.com](http://knfilters.com) ®

# AIR & OIL FILTERS

# LANCIA

Vehicle	Engine Type	Air Filter	Oil Filter
<b>1993 LANCIA</b>			
Thema	2.0L L4 F/I	33-2593	
<b>1992 LANCIA</b>			
Delta I	1.6L L4 CARB	33-2096	
Delta I	1.6L L4 F/I	33-2096	
Delta I	2.0L L4 F/I	33-2096 ♦	
Thema	2.0L L4 F/I	33-2593	
<b>1991 LANCIA</b>			
Dedra	1.6L L4 F/I	33-2586	
Delta I	1.6L L4 CARB	33-2096	
Delta I	1.6L L4 F/I	33-2096	
Delta I	2.0L L4 F/I	33-2096 ♦	
Thema	2.0L L4 F/I	33-2593	
<b>1990 LANCIA</b>			
Delta I	1.6L L4 CARB	33-2096	
Delta I	1.6L L4 F/I	33-2096	
Delta I	2.0L L4 F/I	33-2096 ♦	
Prisma	1.6L L4 CARB	E-2620	
Thema	2.0L L4 F/I	33-2593	
Y10	1.3L L4 F/I	33-2629	
<b>1989 LANCIA</b>			
Delta I	1.6L L4 CARB	33-2096	
Delta I	1.6L L4 F/I	33-2096	
Delta I	2.0L L4 F/I	33-2096 ♦	
<b>1988 LANCIA</b>			
Delta I	1.6L L4 CARB	33-2096	
Delta I	1.6L L4 F/I	33-2096	
Delta I	2.0L L4 F/I	33-2096	
Thema	2.8L V6 F/I	33-2593	
<b>1986 LANCIA</b>			
Prisma	1.6L L4 CARB	E-2620	
<b>1985 LANCIA</b>			
A112	1.0L L4 CARB	E-2570	
<b>1984 LANCIA</b>			
A112	0.9L L4 CARB	E-2570	
A112	1.0L L4 CARB	E-2570	
Beta	2.0L L4 CARB	E-2670	
Beta	2.0L L4 F/I	33-2502	
<b>1983 LANCIA</b>			
A112	1.0L L4 CARB	E-2570	
<b>1982 LANCIA</b>			
Zagato	2.0L L4 F/I		HP-2004
<b>1981 LANCIA</b>			
Beta	2.0L L4 F/I		HP-2004
<b>1980 LANCIA</b>			
A112	1.0L L4 CARB	E-2570	
<b>1979 LANCIA</b>			
Beta	2.0L L4 CARB	E-2670	
<b>1976 LANCIA</b>			
Beta	1.8L L4 CARB	E-2670	HP-2004
<b>2011 LAND ROVER</b>			
LR2	3.2L L6 F/I	33-2414	
LR4	5.0L V8 F/I	33-2446	
Range Rover	5.0L V8 F/I	33-2446	
Range Rover Sport	5.0L V8 F/I	33-2446	
<b>2010 LAND ROVER</b>			
Discovery III	3.0L V6 DSL	33-2333	

Vehicle	Engine Type	Air Filter	Oil Filter
<b>2010 LAND ROVER</b>			
Freelander	2.2L L4 DSL	33-2414	
Freelander	3.2L V6 F/I	33-2414	
LR2	3.2L L6 F/I	33-2414	HP-7016
LR4	5.0L V8 F/I	33-2446	
Range Rover	5.0L V8 F/I	33-2446	
Range Rover III	3.6L V8 F/I	33-2857	
Range Rover Sport	3.0L V6 DSL	33-2333	
Range Rover Sport	3.6L V8 DSL	33-2333	
Range Rover Sport	5.0L V8 F/I	33-2446	
<b>2009 LAND ROVER</b>			
Discovery III	2.7L V6 DSL	33-2333	
Discovery III	3.0L V6 DSL	33-2333	
Freelander	2.2L L4 DSL	33-2414	
Freelander	3.2L V6 F/I	33-2414	
LR2	3.2L L6 F/I	33-2414	HP-7007
LR3	4.4L V8 F/I	33-2333	HP-1014
Range Rover	4.2L V8 F/I	33-2857	HP-1014
Range Rover	4.4L V8 F/I	33-2857	HP-1014
Range Rover III	3.6L V8 F/I	33-2857	
Range Rover Sport	3.0L V6 DSL	33-2333	
Range Rover Sport	3.6L V8 DSL	33-2333	
Range Rover Sport	4.2L V8 F/I	33-2333	HP-1014
Range Rover Sport	4.4L V8 F/I	33-2333	HP-1014
<b>2008 LAND ROVER</b>			
Discovery III	2.7L V6 DSL	33-2333 ♦	
Discovery III	4.4L V8 F/I	33-2333	
Freelander	2.2L L4 DSL	33-2414	
Freelander	3.2L V6 F/I	33-2414	
LR2	3.2L L6 F/I	33-2414	HP-7016
LR3	4.0L V6 F/I	33-2333	HP-2010
LR3	4.4L V8 F/I	33-2333	HP-1014
Range Rover	4.2L V8 F/I	33-2857	HP-1014
Range Rover	4.4L V8 F/I	33-2857	HP-1014
Range Rover III	4.2L V8 F/I		HP-1014
Range Rover III	4.4L V8 F/I		HP-1014
Range Rover Sport	2.7L V6 DSL	33-2333	
Range Rover Sport	3.6L V8 DSL	33-2333	
Range Rover Sport	4.2L V8 F/I	33-2333	HP-1014
Range Rover Sport	4.4L V8 F/I	33-2333	HP-1014
<b>2007 LAND ROVER</b>			
Discovery III	2.7L V6 DSL	33-2333 ♦	
Discovery III	4.4L V8 F/I	33-2333	
Freelander	2.2L L4 DSL	33-2414	
Freelander	3.2L V6 F/I	33-2414	
LR3	4.0L V6 F/I	33-2333	HP-2010
LR3	4.4L V8 F/I	33-2333	HP-1014
Range Rover	4.2L V8 F/I	33-2857	HP-1014
Range Rover	4.4L V8 F/I	33-2857	HP-1014
Range Rover III	4.2L V8 F/I		HP-1014
Range Rover III	4.4L V8 F/I		HP-1014
Range Rover Sport	2.7L V6 DSL	33-2333	
Range Rover Sport	3.6L V8 DSL	33-2333	
Range Rover Sport	4.2L V8 F/I	33-2333	HP-1014
Range Rover Sport	4.4L V8 F/I	33-2333	HP-1014
<b>2006 LAND ROVER</b>			
Discovery III	2.7L V6 DSL	33-2333 ♦	
Discovery III	4.4L V8 F/I	33-2333	
Freelander	1.8L L4 F/I - to 10/06	33-2761 ♦	
Freelander	2.0L L4 DSL	E-2653	
Freelander	3.2L V6 F/I	33-2414	
LR3	4.0L V6 F/I	33-2333	HP-2010
LR3	4.4L V8 F/I	33-2333	HP-1014

\*Indicates 2 filters required

♦ - Intake kit available

Applications updated daily at [knfilters.com](http://knfilters.com) ®

Partial Listing - Complete List of Vehicles and Applications at [knfilters.com](http://knfilters.com)

# LAND ROVER

# AIR & OIL FILTERS

Vehicle	Engine Type	Air Filter	Oil Filter
<b>2006 LAND ROVER</b>			
Range Rover	4.2L V8 F/I	33-2857	HP-1014
Range Rover	4.4L V8 F/I	33-2857	HP-1014
Range Rover III	3.0L L6 DSL	E-2657	
Range Rover III	4.2L V8 F/I		HP-1014
Range Rover III	4.4L V8 F/I		HP-1014
Range Rover Sport	2.7L V6 DSL	33-2333	
Range Rover Sport	3.6L V8 DSL	33-2333	
Range Rover Sport	4.2L V8 F/I	33-2333	HP-1014
Range Rover Sport	4.4L V8 F/I	33-2333	HP-1014

Vehicle	Engine Type	Air Filter	Oil Filter
<b>2005 LAND ROVER</b>			
Defender	2.5L L5 DSL - 122BHP	33-2788	
Discovery III	2.7L V6 DSL	33-2333 ♦	
Freelander	1.8L L4 F/I	33-2761 ♦	
Freelander	2.0L L4 DSL	E-2653	
Freelander	2.5L V6 F/I	33-2265	
LR3	4.0L V6 F/I		HP-2010
LR3	4.4L V8 F/I	33-2333	HP-1014
Range Rover	4.4L V8 F/I	E-9269	HP-7006
Range Rover III	3.0L L6 DSL	E-2657	
Range Rover III	4.4L V8 F/I		HP-7006
Range Rover III	4.4L V8 F/I - from 6/05	33-2333	HP-7006
Range Rover III	4.4L V8 F/I - to 5/05	E-9269	HP-7006
Range Rover Sport	2.7L V6 DSL	33-2333	
Range Rover Sport	4.2L V8 F/I	33-2333	
Range Rover Sport	4.4L V8 F/I	33-2333	HP-1014

Vehicle	Engine Type	Air Filter	Oil Filter
<b>2004 LAND ROVER</b>			
Defender	2.5L L5 DSL - 122BHP	33-2788	
Discovery	4.0L V8 F/I	33-2119	
Discovery	4.6L V8 F/I	33-2119	HP-2004
Discovery II	2.5L L5 DSL	33-2788	
Discovery II	4.0L V8 F/I	33-2788	
Discovery II	4.6L V8 F/I	33-2119	HP-2004
Discovery III	2.7L V6 DSL	33-2333 ♦	
Discovery III	4.4L V8 F/I	33-2333	
Freelander	1.8L L4 F/I	33-2761 ♦	
Freelander	2.0L L4 DSL	E-2653	
Freelander	2.5L V6 F/I	33-2265	
Range Rover	4.4L V8 F/I	E-9269	HP-7006
Range Rover III	3.0L L6 DSL	E-2657	
Range Rover III	4.4L V8 F/I	E-9269	HP-7006

Vehicle	Engine Type	Air Filter	Oil Filter
<b>2003 LAND ROVER</b>			
Defender	2.5L L5 DSL - 122BHP	33-2788	
Discovery	4.0L V8 F/I	33-2119	
Discovery	4.6L V8 F/I	33-2119	HP-2004
Discovery II	2.5L L5 DSL	33-2788	
Discovery II	4.0L V8 F/I	33-2788	
Discovery II	4.6L V8 F/I	33-2119	HP-2004
Freelander	1.8L L4 F/I	33-2761 ♦	
Freelander	2.0L L4 DSL	E-2653	
Freelander	2.5L V6 F/I	33-2265	
Range Rover	4.4L V8 F/I		HP-7006
Range Rover	4.4L V8 F/I - 286BHP	E-9269	HP-7006
Range Rover III	3.0L L6 DSL	E-2657	
Range Rover III	4.4L V8 F/I	E-9269	HP-7006

Vehicle	Engine Type	Air Filter	Oil Filter
<b>2002 LAND ROVER</b>			
Defender	2.5L L5 DSL - 122BHP	33-2788	
Discovery	4.0L V8 F/I	33-2119	HP-2004
Discovery II	2.5L L5 DSL	33-2788	
Discovery II	4.0L V8 F/I	33-2788	HP-2004
Discovery II	4.6L V8 F/I	33-2119	
Freelander	1.8L L4 F/I	33-2761 ♦	
Freelander	2.0L L4 DSL	E-2653	

Vehicle	Engine Type	Air Filter	Oil Filter
<b>2002 LAND ROVER</b>			
Freelander	2.5L V6 F/I	33-2265	
Range Rover	4.0L V8 F/I - Non-US	33-2119	
Range Rover	4.6L V8 F/I	33-2119	HP-2004
Range Rover II	2.5L L6 DSL - 113BHP	33-2737	
Range Rover II	2.5L L6 DSL - 136BHP	33-2119	
Range Rover II	3.9L V8 F/I	33-2788	
Range Rover II	4.0L V8 F/I	33-2788	HP-2004
Range Rover II	4.6L V8 F/I	33-2788	HP-2004
Range Rover III	3.0L L6 DSL	E-2657	
Range Rover III	4.4L V8 F/I	E-9269	HP-7006

Vehicle	Engine Type	Air Filter	Oil Filter
<b>2001 LAND ROVER</b>			
Defender	2.5L L5 DSL - 122BHP	33-2788	
Discovery	4.0L V8 F/I	33-2119	HP-2004
Discovery II	2.5L L5 DSL	33-2788	
Discovery II	4.0L V8 F/I	33-2788	HP-2004
Freelander	1.8L L4 F/I	33-2761 ♦	
Freelander	2.0L L4 DSL	E-2653	
Freelander	2.5L V6 F/I	33-2265	
Range Rover	4.0L V8 F/I	33-2119	
Range Rover	4.6L V8 F/I	33-2119	HP-2004
Range Rover II	2.5L L6 DSL - 113BHP	33-2737	
Range Rover II	2.5L L6 DSL - 136BHP	33-2119	
Range Rover II	3.9L V8 F/I	33-2788	
Range Rover II	4.0L V8 F/I	33-2788	HP-2004
Range Rover II	4.6L V8 F/I	33-2788	HP-2004

Vehicle	Engine Type	Air Filter	Oil Filter
<b>2000 LAND ROVER</b>			
Defender	2.5L L5 DSL - 122BHP	33-2788	
Defender	3.9L V8 F/I	E-2350	
Discovery	4.0L V8 F/I	33-2119	HP-2004
Discovery II	2.5L L5 DSL - Exc., Off Road	33-2788	
Discovery II	2.5L L5 DSL - Off Road	38-9119	
Discovery II	4.0L V8 F/I	33-2788	HP-2004
Freelander	1.8L L4 F/I	33-2761 ♦	
Freelander	2.0L L4 DSL - 98BHP	33-2761	
Freelander	2.0L L4 DSL - Exc., 98BHP	E-2653	
Freelander	2.5L V6 F/I	33-2265	
Range Rover	4.0L V8 F/I	33-2119	HP-2004
Range Rover	4.6L V8 F/I	33-2119	HP-2004
Range Rover II	2.5L L6 DSL - 113BHP	33-2737	
Range Rover II	2.5L L6 DSL - 136BHP	33-2119	
Range Rover II	3.9L V8 F/I	33-2788	
Range Rover II	4.0L V8 F/I	33-2788	HP-2004
Range Rover II	4.6L V8 F/I	33-2788	HP-2004

Vehicle	Engine Type	Air Filter	Oil Filter
<b>1999 LAND ROVER</b>			
Defender	2.5L L5 DSL - 122BHP	33-2788	
Defender	3.9L V8 F/I	E-2350	
Discovery	4.0L V8 F/I	33-2119	HP-2004
Discovery	4.0L V8 F/I - Petrol	33-2788	HP-2004
Discovery II	2.5L L4 DSL - Exc., Off Road	33-2788	
Discovery II	2.5L L4 DSL - Off Road	38-9119	
Discovery II	4.0L V8 F/I	33-2788	HP-2004
Discovery SD	4.0L V8 F/I	33-2737	HP-2004
Freelander	1.8L L4 F/I	33-2761 ♦	
Freelander	2.0L L4 DSL	33-2761	
Range Rover	4.0L V8 F/I	33-2119	HP-2004
Range Rover	4.6L V8 F/I	33-2119	HP-2004
Range Rover II	2.5L L6 DSL - 113BHP	33-2737	
Range Rover II	2.5L L6 DSL - 136BHP	33-2119	
Range Rover II	3.9L V8 F/I	33-2788	
Range Rover II	4.0L V8 F/I	33-2788	HP-2004

\*Indicates 2 filters required

♦ - Intake kit available

Applications updated daily at [knfilters.com](http://knfilters.com) ®



# AIR & OIL FILTERS

# LAND ROVER

Vehicle	Engine Type	Air Filter	Oil Filter
<b>1999 LAND ROVER</b>			
Range Rover II	4.6L V8 F/I	33-2788	HP-2004
<b>1998 LAND ROVER</b>			
Defender	2.5L L5 DSL - 122BHP	33-2788	
Defender	3.9L V8 F/I	E-2350	
Discovery	4.0L V8 F/I	33-2737	HP-2004
Discovery II	2.0L L4 F/I	33-2737	
Discovery II	2.5L L4 DSL - 113BHP	33-2737	
Discovery II	2.5L L4 DSL - Off Road	38-9119	
Discovery II	3.9L V8 F/I	33-2737	
Discovery II	4.0L V8 F/I	33-2737	HP-2004
Freelander	1.8L L4 F/I	33-2761 ♦	
Freelander	2.0L L4 DSL	33-2761	
Range Rover	4.0L V8 F/I	33-2119	HP-2004
Range Rover	4.6L V8 F/I	33-2119	HP-2004
Range Rover II	2.5L L6 DSL - 113BHP	33-2737	
Range Rover II	2.5L L6 DSL - 136BHP	33-2119	
Range Rover II	3.9L V8 F/I	33-2788	
Range Rover II	4.0L V8 F/I	33-2788	HP-2004
Range Rover II	4.6L V8 F/I	33-2788 ♦	HP-2004
<b>1997 LAND ROVER</b>			
Defender 90	4.0L V8 F/I	E-2350	HP-2004
Discovery	4.0L V8 F/I	33-2737	HP-2004
Discovery II	2.0L L4 F/I	33-2737	
Discovery II	2.5L L4 DSL - 113BHP	33-2737	
Discovery II	2.5L L4 DSL - Off Road	38-9119	
Discovery II	3.9L V8 F/I	33-2737	
Freelander	1.8L L4 F/I	33-2761 ♦	
Range Rover	4.0L V8 F/I	33-2119	HP-2004
Range Rover	4.6L V8 F/I	33-2119	HP-2004
Range Rover II	2.5L L6 DSL - 113BHP	33-2737	
Range Rover II	2.5L L6 DSL - 136BHP	33-2119	
Range Rover II	3.9L V8 F/I	33-2788	
Range Rover II	4.6L V8 F/I	33-2788 ♦	HP-2004
<b>1996 LAND ROVER</b>			
Discovery	4.0L V8 F/I	33-2737	HP-2004
Discovery II	2.0L L4 F/I	33-2737	
Discovery II	2.5L L4 DSL - 113BHP	33-2737	
Discovery II	2.5L L4 DSL - Off Road	38-9119	
Discovery II	3.9L V8 F/I	33-2737	
Range Rover	4.0L V8 F/I		HP-2004
Range Rover	4.0L V8 F/I - from 9/96	33-2788	HP-2004
Range Rover	4.0L V8 F/I - to 8/96	33-2744	HP-2004
Range Rover	4.6L V8 F/I		HP-2004
Range Rover II	2.5L L6 DSL - 113BHP	33-2737	
Range Rover II	2.5L L6 DSL - 136BHP	33-2119	
Range Rover II	3.9L V8 F/I - from 9/96	33-2788	
Range Rover II	3.9L V8 F/I - to 8/96	33-2744	
Range Rover II	4.6L V8 F/I		HP-2004
Range Rover II	4.6L V8 F/I - from 9/96	33-2788 ♦	HP-2004
Range Rover II	4.6L V8 F/I - to 8/96	33-2744 ♦	HP-2004
<b>1995 LAND ROVER</b>			
Defender	2.5L L4 DSL	E-2590	
Defender 90	3.9L V8 F/I	E-2350	HP-2004
Discovery	3.9L V8 F/I	33-2737	HP-2004
Discovery II	2.0L L4 F/I	33-2737	
Discovery II	2.5L L4 DSL - Off Road	38-9119	
Discovery II	3.9L V8 F/I	33-2737	HP-2004
Range Rover	3.9L V8 F/I	33-2737	HP-2004
Range Rover	4.0L V8 F/I	33-2744	HP-2004
Range Rover	4.2L V8 F/I	33-2737	HP-2004
Range Rover	4.2L V8 F/I - Non-US, Petrol	33-2744	HP-2004

Vehicle	Engine Type	Air Filter	Oil Filter
<b>1995 LAND ROVER</b>			
Range Rover II	2.5L L6 DSL - 113BHP	33-2737	
Range Rover II	3.9L V8 F/I	33-2744	HP-2004
Range Rover II	4.6L V8 F/I	33-2744 ♦	
<b>1994 LAND ROVER</b>			
Defender	2.5L L4 DSL	E-2590	
Defender 90	3.9L V8 F/I	E-2350	HP-2004
Discovery	3.9L V8 F/I	33-2737	HP-2004
Discovery I	2.0L L4 F/I	33-2737	
Discovery I	2.5L L4 DSL - Exc., Off Road	E-2590	
Discovery I	2.5L L4 DSL - Off Road	38-9119	
Discovery I	3.5L V8 F/I - from VIN LA	33-2737	
Discovery I	3.5L V8 F/I - to VIN LA	E-2350	
Discovery I	3.9L V8 F/I	33-2737	HP-2004
Discovery II	2.0L L4 F/I	33-2737	
Discovery II	3.9L V8 F/I	33-2737	HP-2004
Range Rover	3.9L V8 F/I	E-2350	HP-2004
Range Rover	4.2L V8 F/I	33-2744	HP-2004
Range Rover I	2.5L L6 DSL	E-2590	
Range Rover I	3.9L V8 F/I		HP-2004
Range Rover I	3.9L V8 F/I - w/Panel Filter	33-2737 ♦	HP-2004
Range Rover I	3.9L V8 F/I - w/Round Filter	E-2350 ♦	HP-2004
Range Rover I	4.3L V8 F/I	E-2350	
Range Rover II	2.5L L6 DSL - 113BHP	33-2737	
Range Rover II	2.5L L6 DSL - Off Road	38-9119	
Range Rover II	3.9L V8 F/I	33-2744	HP-2004
Range Rover II	4.6L V8 F/I	33-2744 ♦	
<b>1993 LAND ROVER</b>			
Defender	2.5L L4 DSL	E-2590	
Defender 110	3.9L V8 F/I	E-2350	HP-2004
Discovery I	2.0L L4 F/I	33-2737	
Discovery I	2.5L L4 DSL - Exc., Off Road	E-2590 ♦	
Discovery I	2.5L L4 DSL - Off Road	38-9119 ♦	
Discovery I	3.5L V8 F/I - from VIN LA	33-2737	
Discovery I	3.5L V8 F/I - to VIN LA	E-2350	
Discovery I	3.9L V8 F/I	33-2737	
Range Rover	3.9L V8 F/I	E-2350	HP-2004
Range Rover	4.2L V8 F/I	33-2744	HP-2004
Range Rover I	2.5L L4 DSL - Exc., Off Road	E-2590	
Range Rover I	2.5L L4 DSL - Off Road	38-9119	
Range Rover I	3.9L V8 F/I	E-2350 ♦	HP-2004
Range Rover I	4.3L V8 F/I	E-2350	
<b>1992 LAND ROVER</b>			
Defender	2.5L L4 DSL	E-2590	
Discovery I	2.5L L4 DSL - Exc., Off Road	E-2590 ♦	
Discovery I	2.5L L4 DSL - Off Road	38-9119 ♦	
Discovery I	3.5L V8 F/I - to VIN LA	E-2350	
Range Rover	3.9L V8 F/I	E-2350 ♦	HP-3001
Range Rover	4.2L V8 - Non-US, Petrol	33-2744	
Range Rover I	2.5L L4 DSL - Exc., Off Road	E-2590	
Range Rover I	2.5L L4 DSL - Off Road	38-9119	
Range Rover I	3.9L V8 F/I	E-2350 ♦	HP-3001
Range Rover I	4.3L V8 F/I	E-2350	
<b>1991 LAND ROVER</b>			
Defender	2.5L L4 DSL	E-2590	
Discovery I	2.5L L4 DSL - Exc., Off Road	E-2590 ♦	
Discovery I	2.5L L4 DSL - Off Road	38-9119 ♦	

\*Indicates 2 filters required

♦ - Intake kit available

Applications updated daily at [knfilters.com](http://knfilters.com) ®

Partial Listing - Complete List of Vehicles and Applications at [knfilters.com](http://knfilters.com)

# LAND ROVER

# AIR & OIL FILTERS

Vehicle	Engine Type	Air Filter	Oil Filter
<b>1991 LAND ROVER</b>			
Discovery I	3.5L V8 F/I - to VIN LA	E-2350	
Range Rover	3.9L V8 F/I	E-2350 ♦	HP-3001
Range Rover I	2.5L L4 DSL	E-2590	
Range Rover I	3.9L V8 F/I	E-2350 ♦	HP-3001
<b>1990 LAND ROVER</b>			
90 / 110	2.5L L4 DSL	38-9051	
90 / 110	2.5L L4 F/I	38-9051	
90 / 110	3.5L V8 CARB	E-9080	
Defender	2.5L L4 DSL	E-2590	
Discovery I	2.5L L4 DSL - Exc., Off Road	E-2590 ♦	
Discovery I	2.5L L4 DSL - Off Road	38-9119 ♦	
Discovery I	3.5L V8 F/I - to VIN LA	E-2350	
Range Rover	3.9L V8 F/I	E-2350 ♦	HP-3001
Range Rover	4.2L V8 - Petrol	33-2744	
Range Rover I	2.5L L4 DSL	E-2590	
Range Rover I	3.5L V8 CARB	E-9098*	
Range Rover I	3.5L V8 F/I	E-2350 ♦	
Range Rover I	3.9L V8 F/I	E-2350 ♦	HP-3001
<b>1989 LAND ROVER</b>			
90 / 110	2.5L L4 DSL	38-9051	
90 / 110	2.5L L4 F/I	38-9051	
90 / 110	3.5L V8 CARB	E-9080	
Discovery I	2.5L L4 DSL - Exc., Off Road	E-2590 ♦	
Discovery I	2.5L L4 DSL - Off Road	38-9119 ♦	
Range Rover	3.9L V8 F/I		HP-3001
Range Rover I	3.5L V8 CARB	E-9098*	
Range Rover I	3.5L V8 F/I	E-2350 ♦	
Range Rover I	3.9L V8 F/I	E-2350 ♦	HP-3001
<b>1988 LAND ROVER</b>			
90 / 110	2.5L L4 DSL	38-9051	
90 / 110	2.5L L4 F/I	38-9051	
90 / 110	3.5L V8 CARB	E-9080	
Range Rover	3.5L V8 F/I	E-2350 ♦	HP-3001
Range Rover I	3.5L V8 CARB	E-9098*	
Range Rover I	3.5L V8 F/I	E-2350 ♦	HP-3001
Range Rover I	3.9L V8 F/I	E-2350 ♦	
<b>1987 LAND ROVER</b>			
90 / 110	2.5L L4 DSL	38-9051	
90 / 110	2.5L L4 F/I	38-9051	
90 / 110	3.5L V8 CARB	E-9080	
Range Rover	3.5L V8 F/I	E-2350 ♦	HP-3001
Range Rover I	3.5L V8 CARB	E-9098*	
Range Rover I	3.5L V8 F/I	E-2350 ♦	HP-3001
<b>1986 LAND ROVER</b>			
90 / 110	2.5L L4 DSL	38-9051	
90 / 110	2.5L L4 F/I	38-9051	
90 / 110	3.5L V8 CARB	E-9080	
Range Rover I	3.5L V8 CARB	E-9098*	HP-3001
Range Rover I	3.5L V8 F/I	E-2350 ♦	
<b>1985 LAND ROVER</b>			
90 / 110	2.5L L4 F/I	38-9051	
90 / 110	3.5L V8 CARB	E-9080	
Range Rover I	3.5L V8 CARB	E-9098*	HP-3001
Range Rover I	3.5L V8 F/I	E-2350 ♦	
<b>1984 LAND ROVER</b>			
90 / 110	3.5L V8 CARB	E-9080	
Range Rover I	3.5L V8 CARB	E-9098*	HP-3001
<b>1983 LAND ROVER</b>			
88 / 109 Series	3.5L V8 CARB	E-2590	

Vehicle	Engine Type	Air Filter	Oil Filter
<b>1983 LAND ROVER</b>			
90 / 110	3.5L V8 CARB	E-9080	
Range Rover I	3.5L V8 CARB	E-9098*	
<b>1982 LAND ROVER</b>			
88 / 109 Series	3.5L V8 CARB	E-2590	
Range Rover I	3.5L V8 CARB	E-9098*	
<b>1981 LAND ROVER</b>			
88 / 109 Series	3.5L V8 CARB	E-2590	
Range Rover I	3.5L V8 CARB	E-9098*	
<b>1980 LAND ROVER</b>			
88 / 109 Series	3.5L V8 CARB	E-2590	
Range Rover I	3.5L V8 CARB	E-9098*	
<b>1997 LAVERDA</b>			
668	650	33-2092	
Formula	650	33-2092	
Ghost	650	33-2092	
Sport	650	33-2092	
<b>1996 LAVERDA</b>			
668	650	33-2092	
Ghost	650	33-2092	
<b>2011 LEXUS</b>			
ES350	3.5L V6 F/I	33-2326	HP-7020
GS350	3.5L V6 F/I	33-2345	
GS450h	3.5L V6 F/I	33-2220	
GS460	4.6L V8 F/I	33-2452	
GX460	4.6L V8 F/I	33-2438	
HS250h	2.4L L4 F/I	33-2381	HP-1003
IS F	5.0L V8 F/I	33-2453	HP-7018
IS220	2.2L L4 DSL	33-2345	
IS250	2.5L V6 F/I	33-2345	
IS350	3.5L V6 F/I	33-2345	
LS460	4.6L V8 F/I	33-2381*	
LS600h	5.0L V8 F/I	33-2381*	
LX570	5.7L V8 F/I	33-2387	HP-7018
RX350	3.5L V6 F/I		HP-7020
RX450H	3.5L V6 F/I	33-2455	HP-7020
<b>2010 LEXUS</b>			
ES350	3.5L V6 F/I	33-2326	HP-7020
GS350	3.5L V6 F/I	33-2345	
GS450h	3.5L V6 F/I	33-2220	
GS460	4.6L V8 F/I	33-2452	
GX460	4.6L V8 F/I	33-2438	HP-7018
HS250h	2.4L L4 F/I	33-2381	HP-1003
IS F	5.0L V8 F/I	33-2453	HP-7018
IS220	2.2L L4 DSL	33-2345	
IS250	2.5L V6 F/I	33-2345 ♦	
IS350	3.5L V6 F/I	33-2345	
LS460	4.6L V8 F/I	33-2381*	
LS600h	5.0L V8 F/I	33-2381*	
LX570	5.7L V8 F/I	33-2387	HP-7018
RX350	3.5L V6 F/I	33-2443	HP-7020
RX450H	3.5L V6 F/I	33-2455	HP-7020
SC430	4.3L V8 F/I	33-2220	HP-1002
<b>2009 LEXUS</b>			
ES350	3.5L V6 F/I	33-2326	HP-7020
GS350	3.5L V6 F/I	33-2345 ♦	
GS450h	3.5L V6 F/I	33-2220	
GS460	4.6L V8 F/I	33-2452	
GX470	4.7L V8 F/I	33-2144	HP-1002
IS F	5.0L V8 F/I	33-2453	HP-7018
IS220	2.2L L4 DSL	33-2345	

\*Indicates 2 filters required

♦ - Intake kit available

Applications updated daily at [knfilters.com](http://knfilters.com) ®

# AIR & OIL FILTERS

# LEXUS

Vehicle	Engine Type	Air Filter	Oil Filter
<b>2009 LEXUS</b>			
IS250	2.5L V6 F/I	33-2345 ♦	
IS350	3.5L V6 F/I	33-2345	
LS460	4.6L V8 F/I	33-2381*	
LS600h	5.0L V8 F/I	33-2381*	
LX570	5.7L V8 F/I	33-2387	HP-7018
RX350	3.5L V6 F/I	33-2260	HP-7020
RX400h	3.3L V6 F/I	33-2344	HP-1002
SC430	4.3L V8 F/I	33-2220	HP-1002

Vehicle	Engine Type	Air Filter	Oil Filter
<b>2008 LEXUS</b>			
ES350	3.5L V6 F/I	33-2326	HP-7020
GS350	3.5L V6 F/I	33-2345 ♦	
GS450h	3.5L V6 F/I	33-2220	
GS460	4.6L V8 F/I	33-2452	
GX470	4.7L V8 F/I	33-2144	HP-1002
IS F	5.0L V8 F/I	33-2453 ♦	HP-7018
IS220	2.2L L4 DSL	33-2345	
IS250	2.5L V6 F/I	33-2345 ♦	
IS350	3.5L V6 F/I	33-2345 ♦	
LS460	4.6L V8 F/I	33-2381*	
LS600h	5.0L V8 F/I	33-2381*	
LX470	4.7L V8 F/I	33-2146	
LX570	5.7L V8 F/I	33-2387	HP-7018
RX350	3.5L V6 F/I	33-2260	HP-7020
RX400h	3.3L V6 F/I	33-2344	HP-1002
SC430	4.3L V8 F/I	33-2220	HP-1002

Vehicle	Engine Type	Air Filter	Oil Filter
<b>2007 LEXUS</b>			
ES350	3.5L V6 F/I	33-2326	HP-7020
GS350	3.5L V6 F/I	33-2345 ♦	
GS430	4.3L V8 F/I	33-2345	HP-1002
GS450h	3.5L V6 F/I	33-2220	
GX470	4.7L V8 F/I	33-2144	HP-1002
IS220	2.2L L4 DSL	33-2345	
IS250	2.5L V6 F/I	33-2345 ♦	
IS350	3.5L V6 F/I	33-2345 ♦	
LS460	4.6L V8 F/I	33-2381*	
LX470	4.7L V8 F/I	33-2146	HP-1002
RX350	3.5L V6 F/I	33-2260	HP-7020
RX400h	3.3L V6 F/I	33-2344	HP-1002
SC430	4.3L V8 F/I	33-2220	HP-1002

Vehicle	Engine Type	Air Filter	Oil Filter
<b>2006 LEXUS</b>			
ES330	3.3L V6 F/I	33-2260	HP-1002
GS300	3.0L V6 F/I	33-2220	
GS430	4.3L V8 F/I	33-2345	HP-1002
GX470	4.7L V8 F/I	33-2144	HP-1002
IS220	2.2L L4 DSL	33-2345	
IS250	2.5L V6 F/I	33-2345 ♦	
IS350	3.5L V6 F/I	33-2345 ♦	
LS430	4.3L V8 F/I	33-2137	HP-1002
LX470	4.7L V8 F/I	33-2146	HP-1002
RX330	3.3L V6 F/I	33-2260	HP-1002
RX400h	3.3L V6 F/I	33-2344	HP-1002
SC430	4.3L V8 F/I	33-2220	HP-1002

Vehicle	Engine Type	Air Filter	Oil Filter
<b>2005 LEXUS</b>			
ES330	3.3L V6 F/I	33-2260	HP-1002
GS300	3.0L L6 F/I	33-2170	HP-1002
GS430	4.3L V8 F/I	33-2220	HP-1002
GX470	4.7L V8 F/I	33-2144	HP-1002
IS200	2.0L L6 F/I - 153BHP	33-2845	
IS220	2.2L L4 DSL	33-2345	
IS250	2.5L V6 F/I	33-2345 ♦	
IS300	3.0L L6 F/I	33-2170 ♦	HP-1002
LS430	4.3L V8 F/I	33-2137	HP-1002

Vehicle	Engine Type	Air Filter	Oil Filter
<b>2005 LEXUS</b>			
LX470	4.7L V8 F/I	33-2146	HP-1002
RX330	3.3L V6 F/I	33-2260	HP-1002
SC430	4.3L V8 F/I	33-2220	HP-1002

Vehicle	Engine Type	Air Filter	Oil Filter
<b>2004 LEXUS</b>			
ES330	3.3L V6 F/I	33-2260	HP-1002
GS300	3.0L L6 F/I	33-2170	HP-1002
GS430	4.3L V8 F/I	33-2220	HP-1002
GX470	4.7L V8 F/I	33-2144	HP-1002
IS200	2.0L L6 F/I - 153BHP	33-2845	
IS300	3.0L L6 F/I	33-2170 ♦	HP-1002
LS430	4.3L V8 F/I	33-2137	HP-1002
LX470	4.7L V8 F/I	33-2146	HP-1002
RX330	3.3L V6 F/I	33-2260	HP-1002
SC430	4.3L V8 F/I	33-2220	HP-1002

Vehicle	Engine Type	Air Filter	Oil Filter
<b>2003 LEXUS</b>			
ES300	3.0L V6 F/I	33-2260	HP-1002
GS300	3.0L L6 F/I	33-2170	HP-1002
GS430	4.3L V8 F/I	33-2220	HP-1002
GX470	4.7L V8 F/I		HP-1002
IS200	2.0L L6 F/I - 153BHP	33-2845	
IS300	3.0L L6 F/I	33-2170 ♦	HP-1002
LS430	4.3L V8 F/I	33-2137	HP-1002
LX470	4.7L V8 F/I	33-2146	HP-1002
RX300	3.0L V6 F/I	33-2145-1	HP-1002
RX330	3.3L V6 F/I	33-2260	HP-1002
SC430	4.3L V8 F/I	33-2220	HP-1002

Vehicle	Engine Type	Air Filter	Oil Filter
<b>2002 LEXUS</b>			
ES300	3.0L V6 F/I	33-2260	HP-1002
GS300	3.0L L6 F/I	33-2170	HP-1002
GS430	4.3L V8 F/I	33-2220	HP-1002
IS200	2.0L L6 F/I - 153BHP	33-2845	
IS300	3.0L L6 F/I	33-2170 ♦	HP-1002
LS430	4.3L V8 F/I	33-2137	HP-1002
LX470	4.7L V8 F/I	33-2146	HP-1002
RX300	3.0L V6 F/I	33-2145-1	HP-1002
SC430	4.3L V8 F/I	33-2220	HP-1002

Vehicle	Engine Type	Air Filter	Oil Filter
<b>2001 LEXUS</b>			
ES300	3.0L V6 F/I	33-2145-1	HP-1002
GS300	3.0L L6 F/I	33-2170	HP-1002
GS430	4.3L V8 F/I	33-2220	HP-1002
IS200	2.0L L6 F/I - 153BHP	33-2845	
IS300	3.0L L6 F/I	33-2170 ♦	HP-1002
LS430	4.3L V8 F/I	33-2137	HP-1002
LX470	4.7L V8 F/I	33-2146	HP-1002
RX300	3.0L V6 F/I	33-2145-1	HP-1002
SC430	4.3L V8 F/I	33-2220	

Vehicle	Engine Type	Air Filter	Oil Filter
<b>2000 LEXUS</b>			
ES300	3.0L V6 F/I	33-2145-1	HP-1002
GS300	3.0L L6 F/I	33-2170	HP-1002
GS400	4.0L V8 F/I	33-2137 ♦	HP-1002
IS200	2.0L L6 F/I - 153BHP	33-2845	
IS300	3.0L V6 F/I	33-2170	
LS400	4.0L V8 F/I	E-2606	HP-1002
LS430	4.3L V8 F/I	33-2137	HP-1002
LX470	4.7L V8 F/I	33-2146	HP-1002
RX300	3.0L V6 F/I	33-2145-1	HP-1002
SC300	3.0L L6 F/I		HP-1002
SC400	4.0L V8 F/I		HP-1002

Vehicle	Engine Type	Air Filter	Oil Filter
<b>1999 LEXUS</b>			
ES300	3.0L V6 F/I	33-2145-1	HP-1002
GS300	3.0L L6 F/I	33-2170	HP-1002

\*Indicates 2 filters required

♦ - Intake kit available

Applications updated daily at [knfilters.com](http://knfilters.com) ®

Partial Listing - Complete List of Vehicles and Applications at [knfilters.com](http://knfilters.com)

# LEXUS

# AIR & OIL FILTERS

Vehicle	Engine Type	Air Filter	Oil Filter
<b>1999 LEXUS</b>			
GS400	4.0L V8 F/I	33-2137 ♦	HP-1002
IS200	2.0L L6 F/I - 153BHP	33-2845	
LS400	4.0L V8 F/I	E-2606	HP-1002
LX470	4.7L V8 F/I	33-2146	HP-1002
RX300	3.0L V6 F/I	33-2145-1	HP-1002
SC300	3.0L L6 F/I		HP-1002
SC400	4.0L V8 F/I		HP-1002

<b>1998 LEXUS</b>			
ES300	3.0L V6 F/I	33-2145-1	HP-1002
GS300	3.0L L6 F/I	33-2170	HP-1002
GS400	4.0L V8 F/I	33-2137 ♦	HP-1002
LS400	4.0L V8 F/I	E-2606	HP-1002
LX470	4.7L V8 F/I	33-2146	HP-1002
SC300	3.0L L6 F/I		HP-1002
SC400	4.0L V8 F/I		HP-1002

<b>1997 LEXUS</b>			
ES300	3.0L V6 F/I	33-2145-1	HP-1002
GS300	3.0L L6 F/I	33-2053	HP-1002
LS400	4.0L V8 F/I	E-2606	HP-1002
LX450	4.5L L6 F/I	E-2443	HP-1002
SC300	3.0L L6 F/I	33-2054	HP-1002
SC400	4.0L V8 F/I	33-2054	HP-1002

<b>1996 LEXUS</b>			
ES300	3.0L V6 F/I	33-2052	HP-1002
GS300	3.0L L6 F/I	33-2053	HP-1002
LS400	4.0L V8 F/I	E-2606	HP-1002
LX450	4.5L L6 F/I	E-2443	HP-1002
SC300	3.0L L6 F/I	33-2054	HP-1002
SC400	4.0L V8 F/I	33-2054	HP-1002

<b>1995 LEXUS</b>			
ES300	3.0L V6 F/I	33-2052	HP-1002
GS300	3.0L L6 F/I	33-2053	HP-1002
LS400	4.0L V8 F/I	E-2606	HP-1002
SC300	3.0L L6 F/I	33-2054	HP-1002
SC400	4.0L V8 F/I	33-2054	HP-1002

<b>1994 LEXUS</b>			
ES300	3.0L V6 F/I	33-2052	HP-1002
GS300	3.0L L6 F/I	33-2053	HP-1002
LS400	4.0L V8 F/I	E-2606	HP-1002
SC300	3.0L L6 F/I	33-2054	HP-1002
SC400	4.0L V8 F/I	33-2054	HP-1002

<b>1993 LEXUS</b>			
ES300	3.0L V6 F/I	33-2052	HP-1002
GS300	3.0L L6 F/I	33-2053	HP-1002
LS400	4.0L V8 F/I	E-2606	HP-1002
SC300	3.0L L6 F/I	33-2054	HP-1002
SC400	4.0L V8 F/I	33-2054	HP-1002

<b>1992 LEXUS</b>			
ES300	3.0L V6 F/I		HP-1002
LS400	4.0L V8 F/I	E-2606	HP-1002
SC300	3.0L L6 F/I	33-2054	HP-1002
SC400	4.0L V8 F/I	33-2054	HP-1002

<b>1991 LEXUS</b>			
ES250	2.5L V6 F/I	33-2030	HP-1002
LS400	4.0L V8 F/I	E-2606	HP-1002

<b>1990 LEXUS</b>			
ES250	2.5L V6 F/I	33-2030	HP-1002
LS400	4.0L V8 F/I	E-2606	HP-1002

Vehicle	Engine Type	Air Filter	Oil Filter
<b>2011 LINCOLN</b>			
MKS	3.5L V6 F/I	33-2395	HP-2011
MKS	3.7L V6 F/I	33-2395	HP-2011
MKT	3.5L V6 F/I	33-2395	HP-2011
MKT	3.7L V6 F/I	33-2395	HP-2011
MKX	3.7L V6 F/I	33-2395	HP-2011
MKZ	2.5L L4 F/I		HP-1002
MKZ	3.5L V6 F/I	33-2395	HP-2011
Navigator	5.4L V8 F/I	33-2385 ♦	HP-2010
Town Car	4.6L V8 F/I	33-2272	HP-2010

<b>2010 LINCOLN</b>			
MKS	3.5L V6 F/I	33-2395	HP-2011
MKS	3.7L V6 F/I	33-2395	HP-2011
MKT	3.5L V6 F/I	33-2395	HP-2011
MKT	3.7L V6 F/I	33-2395	HP-2011
MKX	3.5L V6 F/I	33-2395	HP-2011
MKZ	3.5L V6 F/I	33-2395	HP-2011
Navigator	5.4L V8 F/I	33-2385 ♦	HP-2010
Town Car	4.6L V8 F/I	33-2272	HP-2010

<b>2009 LINCOLN</b>			
MKS	3.7L V6 F/I	33-2395	HP-2009
MKX	3.5L V6 F/I	33-2395	
MKX	3.5L V6 F/I - Built After 1-15-09	33-2395	HP-2011
MKX	3.5L V6 F/I - Built Before 1-15-09	33-2395	HP-2009
MKZ	3.5L V6 F/I	33-2395	HP-2009
Navigator	5.4L V8 F/I	33-2385 ♦	HP-2010
Town Car	4.6L V8 F/I	33-2272	HP-2010

<b>2008 LINCOLN</b>			
Mark LT	5.4L V8 F/I	33-2287 ♦	HP-2010
MKX	3.5L V6 F/I	33-2395	HP-2009
MKZ	3.5L V6 F/I	33-2395	HP-2009
Navigator	5.4L V8 F/I	33-2385 ♦	HP-2010
Town Car	4.6L V8 F/I	33-2272	HP-2010

<b>2007 LINCOLN</b>			
Mark LT	5.4L V8 F/I	33-2287 ♦	HP-2010
MKX	3.5L V6 F/I	33-2395	HP-2009
MKZ	3.5L V6 F/I	33-2395	HP-2009
Navigator	5.4L V8 F/I	33-2385 ♦	HP-2010
Town Car	4.6L V8 F/I	33-2272	HP-2010

<b>2006 LINCOLN</b>			
LS	3.9L V8 F/I	33-2266	HP-1014
Mark LT	5.4L V8 F/I	33-2287 ♦	HP-2010
Navigator	5.4L V8 F/I	33-2287	HP-2010
Town Car	4.6L V8 F/I	33-2272	HP-2010
Zephyr	3.0L V6 F/I	33-2340	HP-2010

<b>2005 LINCOLN</b>			
Aviator	4.6L V8 F/I	33-2207	HP-2010
LS	3.0L V6 F/I	33-2266	HP-2009
LS	3.9L V8 F/I	33-2266	HP-1014
Navigator	5.4L V8 F/I	33-2287	HP-2010
Town Car	4.6L V8 F/I	33-2272	HP-2010

<b>2004 LINCOLN</b>			
Aviator	4.6L V8 F/I	33-2207	HP-2010
LS	3.0L V6 F/I	33-2266	HP-2009
LS	3.9L V8 F/I	33-2266	HP-1014
Navigator	5.4L V8 F/I	E-0945 ♦	HP-2010
Town Car	4.6L V8 F/I	33-2272	HP-2010

<b>2003 LINCOLN</b>			
Aviator	4.6L V8 F/I	33-2207	HP-2010
LS	3.0L V6 F/I	33-2266	HP-2009

\*Indicates 2 filters required

♦ - Intake kit available

Applications updated daily at [knfilters.com](http://knfilters.com) ®

# AIR & OIL FILTERS

# LINCOLN

Vehicle	Engine Type	Air Filter	Oil Filter
<b>2003 LINCOLN</b>			
LS	3.9L V8 F/I	33-2266	
Navigator	5.4L V8 F/I	E-0945 ♦	HP-2010
Town Car	4.6L V8 F/I	33-2272	HP-2010
<b>2002 LINCOLN</b>			
Blackwood	5.4L V8 F/I	E-0945	HP-2010
Continental	4.6L V8 F/I	E-0945	HP-2010
LS	3.0L V6 F/I	33-2266	HP-2009
LS	3.9L V8 F/I	33-2266	
Navigator	5.4L V8 F/I	E-0945 ♦	HP-2010
Town Car	4.6L V8 F/I	33-2272	HP-2010
<b>2001 LINCOLN</b>			
Continental	4.6L V8 F/I	E-0945	HP-2010
LS	3.0L V6 F/I	33-2266	HP-2009
LS	3.9L V8 F/I	33-2266	
Navigator	5.4L V8 F/I	E-0945 ♦	HP-2010
Town Car	4.6L V8 F/I	33-2272	HP-2010
<b>2000 LINCOLN</b>			
Continental	4.6L V8 F/I	E-0945	HP-2010
LS	3.0L V6 F/I	33-2266	HP-2009
LS	3.9L V8 F/I	33-2266	
Navigator	5.4L V8 F/I	E-0945 ♦	HP-2010
Town Car	4.6L V8 F/I	33-2272	HP-2010
<b>1999 LINCOLN</b>			
Continental	4.6L V8 F/I	E-0945	HP-2010
Navigator	5.4L V8 F/I	E-0945	HP-2010
		E-0945 ♦	HP-2010
Town Car	4.6L V8 F/I	33-2272	HP-2010
<b>1998 LINCOLN</b>			
Continental	4.6L V8 F/I	E-0945	HP-2010
Mark VIII	4.6L V8 F/I	33-2073	HP-2010
Navigator	5.4L V8 F/I	E-0945 ♦	HP-2010
Town Car	4.6L V8 F/I	33-2272	HP-2010
<b>1997 LINCOLN</b>			
Continental	4.6L V8 F/I	E-0945	HP-2010
Mark VIII	4.6L V8 F/I	33-2073	HP-2010
Town Car	4.6L V8 F/I	33-2272	HP-2010
<b>1996 LINCOLN</b>			
Continental	4.6L V8 F/I	E-0945	HP-2010
Mark VIII	4.6L V8 F/I	33-2073	HP-2010
Town Car	4.6L V8 F/I	33-2272	HP-2010
<b>1995 LINCOLN</b>			
Continental	4.6L V8 F/I	E-0945	HP-2010
Mark VIII	4.6L V8 F/I	33-2073	HP-2010
Town Car	4.6L V8 F/I	33-2272	HP-2010
<b>1994 LINCOLN</b>			
Continental	3.8L V6 F/I	33-2024	HP-2009
Mark VIII	4.6L V8 F/I	33-2073	HP-2010
Town Car	4.6L V8 F/I	33-2272	HP-2010
<b>1993 LINCOLN</b>			
Continental	3.8L V6 F/I	33-2024	HP-2009
Mark VIII	4.6L V8 F/I	33-2073	HP-2010
Town Car	4.6L V8 F/I	33-2272	HP-2010
<b>1992 LINCOLN</b>			
Continental	3.8L V6 F/I	33-2024	HP-2009
Mark VII	5.0L V8 F/I	33-2015	HP-3001
Town Car	4.6L V8 F/I	33-2272	HP-2010
<b>1991 LINCOLN</b>			
Continental	3.8L V6 F/I	33-2024	HP-2009

Vehicle	Engine Type	Air Filter	Oil Filter
<b>1991 LINCOLN</b>			
Mark VII	5.0L V8 F/I	33-2015	HP-3001
Town Car	4.6L V8 F/I		HP-2010
<b>1990 LINCOLN</b>			
Continental	3.8L V6 F/I	33-2024	HP-2009
Mark VII	5.0L V8 F/I	33-2015	HP-3001
Town Car	5.0L V8 F/I	33-2012	HP-3001
<b>1989 LINCOLN</b>			
Continental	3.8L V6 F/I	33-2024	HP-2009
Mark VII	5.0L V8 F/I	33-2015	HP-3001
Town Car	5.0L V8 F/I	33-2012	HP-3001
<b>1988 LINCOLN</b>			
Continental	3.8L V6 F/I	33-2024	HP-2009
Mark VII	5.0L V8 F/I	33-2015	HP-3001
Town Car	5.0L V8 F/I	33-2012	HP-3001
<b>1987 LINCOLN</b>			
Continental	5.0L V8 F/I	33-2015	HP-3001
Mark VII	5.0L V8 F/I	33-2015	HP-3001
Town Car	5.0L V8 F/I	33-2012	HP-3001
<b>1986 LINCOLN</b>			
Continental	5.0L V8 F/I	33-2012	HP-3001
Mark VII	5.0L V8 F/I	33-2015	HP-3001
Town Car	5.0L V8 F/I	33-2012	HP-3001
<b>1985 LINCOLN</b>			
Continental	5.0L V8 F/I	E-1290	HP-3001
Mark VII	5.0L V8 F/I	E-1290	HP-3001
Town Car	5.0L V8 F/I	E-1290	HP-3001
<b>1984 LINCOLN</b>			
Mark VII	5.0L V8 F/I	E-1290	HP-3001
Town Car	5.0L V8 F/I	E-1290	HP-3001
<b>1983 LINCOLN</b>			
Mark VI	5.0L V8 F/I	E-1290	HP-3001
Town Car	5.0L V8 F/I	E-1290	HP-3001
<b>1981 LINCOLN</b>			
Mark VI	5.0L V8 F/I	E-1290	HP-3001
Town Car	5.0L V8 F/I	E-1290	HP-3001
<b>1980 LINCOLN</b>			
Mark VI	302 V8 F/I	E-1290	HP-3001
<b>1979 LINCOLN</b>			
Continental	400 V8 CARB	E-1290	HP-3001
Mark V	400 V8 CARB	E-1290	HP-3001
<b>1978 LINCOLN</b>			
Continental	460 V8 CARB	E-1580	HP-3001
<b>1977 LINCOLN</b>			
Continental	460 V8 CARB	E-1580	HP-3001
Mark V	460 V8 CARB	E-1580	HP-3001
<b>1976 LINCOLN</b>			
Continental	460 V8 CARB	E-1580	HP-3001
<b>1974 LINCOLN</b>			
Continental	460 V8 CARB	E-1580	HP-3001
<b>1973 LINCOLN</b>			
Mark IV	460 V8 CARB	E-1580	HP-3001
<b>1972 LINCOLN</b>			
Continental	460 V8 CARB	E-1570	HP-3001
Mark IV	460 V8 CARB	E-1570	HP-3001

\*Indicates 2 filters required

♦ - Intake kit available

Applications updated daily at [knfilters.com](http://knfilters.com) ®

Partial Listing - Complete List of Vehicles and Applications at [knfilters.com](http://knfilters.com)

# LINCOLN

# AIR & OIL FILTERS

Vehicle	Engine Type	Air Filter	Oil Filter
<b>1971 LINCOLN</b>			
Continental	460 V8 CARB	E-1570	HP-3001
Mark III	460 V8 CARB	E-1570	HP-3001
<b>1969 LINCOLN</b>			
Continental	460 V8 CARB	E-1570	HP-3001
Mark III	460 V8 CARB	E-1570	HP-3001
<b>1968 LINCOLN</b>			
Continental	460 V8 CARB	E-1570	HP-3001
Mark III	460 V8 CARB	E-1570	HP-3001
<b>1967 LINCOLN</b>			
Continental	462 V8 CARB		HP-3001
<b>1965 LINCOLN</b>			
Continental	430 V8 CARB		HP-3001
<b>1964 LINCOLN</b>			
Continental	430 V8 CARB		HP-3001
<b>1962 LINCOLN</b>			
Continental	430 V8 CARB		HP-3001
<b>2006 LONDON TAXI</b>			
TX2	2.4L L4 DSL	33-2210	
<b>2005 LONDON TAXI</b>			
TX2	2.4L L4 DSL	33-2210	
<b>2004 LONDON TAXI</b>			
TX2	2.4L L4 DSL	33-2210	
<b>2003 LONDON TAXI</b>			
TX2	2.4L L4 DSL	33-2210	
<b>2002 LONDON TAXI</b>			
TX2	2.4L L4 DSL - from 11/02	33-2210	
<b>2010 LOTUS</b>			
Elise	1.8L L4 F/I		HP-1003
Elise	1.8L L4 F/I - w/Toyota Eng.	33-2252	HP-1003
Exige	1.8L L4 F/I	33-2252	HP-1003
<b>2009 LOTUS</b>			
Elise	1.8L L4 F/I		HP-1003
Elise	1.8L L4 F/I - w/Toyota Eng.	33-2252	HP-1003
Exige	1.8L L4 F/I	33-2252	HP-1003
<b>2008 LOTUS</b>			
Exige	1.8L L4 F/I	33-2647 ♦	
<b>2007 LOTUS</b>			
Elise	1.8L L4 F/I - w/Toyota Eng.	33-2252 ♦	
Exige	1.8L L4 F/I	33-2647 ♦	
<b>2006 LOTUS</b>			
Elise	1.8L L4 F/I - w/Toyota Eng.	33-2252 ♦	
Exige	1.8L L4 F/I	33-2647 ♦	
<b>2005 LOTUS</b>			
Elise	1.8L L4 F/I - Exc., Toyota Eng.	33-2647 ♦	
Elise	1.8L L4 F/I - w/Toyota Eng.	33-2252 ♦	
Exige	1.8L L4 F/I	33-2647 ♦	
<b>2004 LOTUS</b>			
Elise	1.8L L4 F/I - Exc., Toyota Eng.	33-2647 ♦	
Elise	1.8L L4 F/I - w/Toyota Eng.	33-2252 ♦	

Vehicle	Engine Type	Air Filter	Oil Filter
<b>2004 LOTUS</b>			
Exige	1.8L L4 F/I	33-2647 ♦	
<b>2003 LOTUS</b>			
Elise	1.8L L4 F/I	33-2647 ♦	
Exige	1.8L L4 F/I	33-2647	
<b>2002 LOTUS</b>			
Elise	1.8L L4 F/I	33-2647 ♦	
Exige	1.8L L4 F/I	33-2647	
<b>2001 LOTUS</b>			
Elise	1.8L L4 F/I	33-2647 ♦	
Exige	1.8L L4 F/I	33-2647	
<b>2000 LOTUS</b>			
Elise	1.8L L4 F/I	33-2647 ♦	
<b>1999 LOTUS</b>			
Elise	1.8L L4 F/I	33-2647 ♦	
<b>1998 LOTUS</b>			
Elise	1.8L L4 F/I	33-2647 ♦	
<b>1997 LOTUS</b>			
Elise	1.8L L4 F/I	33-2647 ♦	
<b>1996 LOTUS</b>			
Elise	1.8L L4 F/I	33-2647 ♦	
<b>1995 LOTUS</b>			
Elan	1.6L L4 F/I	E-2360	
Elise	1.8L L4 F/I	33-2647 ♦	
Esprit	2.2L L4 F/I		HP-2004
<b>1994 LOTUS</b>			
Elan	1.6L L4 F/I	E-2360	
Esprit	2.2L L4 F/I		HP-2004
<b>1993 LOTUS</b>			
Esprit	2.2L L4 F/I		HP-2004
<b>1992 LOTUS</b>			
Elan	1.6L L4 F/I	E-2360	HP-1004
Esprit	2.2L L4 F/I		HP-2004
<b>1991 LOTUS</b>			
Elan	1.6L L4 F/I	E-2360	HP-1004
Esprit	2.2L L4 F/I		HP-2004
Excel	2.2L L4 CARB	33-2784	
<b>1990 LOTUS</b>			
Elan	1.6L L4 F/I	E-2360	HP-1004
Esprit	2.2L L4 F/I		HP-2004
Excel	2.2L L4 CARB	33-2784	
<b>1989 LOTUS</b>			
Esprit	2.2L L4 F/I		HP-2004
Excel	2.2L L4 CARB	33-2784	
<b>1988 LOTUS</b>			
Esprit	2.2L L4 CARB	33-2011	HP-2004
Esprit	2.2L L4 F/I		HP-2004
Excel	2.2L L4 CARB	33-2784	
<b>1987 LOTUS</b>			
Esprit	2.2L L4 CARB	33-2011	HP-2004
Esprit	2.2L L4 F/I		HP-2004
Excel	2.2L L4 CARB	33-2784	
<b>1986 LOTUS</b>			
Esprit	2.2L L4 CARB	33-2011	HP-2004
Esprit	2.2L L4 F/I		HP-2004

\*Indicates 2 filters required

♦ - Intake kit available

Applications updated daily at [knfilters.com](http://knfilters.com) ®

# AIR & OIL FILTERS

# LOTUS

Vehicle	Engine Type	Air Filter	Oil Filter
<b>1986 LOTUS</b>			
Excel	2.2L L4 CARB - 184BHP	33-2784	
<b>1985 LOTUS</b>			
Esprit	2.2L L4 CARB	33-2011	HP-2004
Excel	2.2L L4 CARB - 162BHP	33-2011	
Excel	2.2L L4 CARB - 184BHP	33-2784	
<b>1984 LOTUS</b>			
Esprit	2.2L L4 CARB	33-2011	HP-2004
Excel	2.2L L4 CARB - 184BHP	33-2784	
<b>1983 LOTUS</b>			
Esprit	2.2L L4 CARB	33-2011	HP-2004
<b>1982 LOTUS</b>			
Esprit	2.2L L4 CARB	33-2011	HP-2004
<b>1981 LOTUS</b>			
Esprit	2.2L L4 CARB	33-2011	HP-2004
<b>1980 LOTUS</b>			
Esprit	2.2L L4 CARB	33-2011	HP-2004
<b>1979 LOTUS</b>			
Esprit	2.0L L4 CARB	33-2011	HP-2004
<b>1978 LOTUS</b>			
Esprit	2.0L L4 CARB	33-2011	HP-2004
<b>1977 LOTUS</b>			
Esprit	2.0L L4 CARB	33-2011	HP-2004
<b>1976 LOTUS</b>			
Elite	2.0L L4 CARB	33-2011	HP-2004
Esprit	2.0L L4 CARB	33-2011	HP-2004
<b>2007 MAHINDRA</b>			
Scorpio	2.2L L4 DSL	33-2939	
Scorpio	2.6L L4 DSL	33-2939	
<b>2006 MAHINDRA</b>			
Scorpio	2.2L L4 DSL	33-2939	
Scorpio	2.6L L4 DSL	33-2939	
<b>2005 MAHINDRA</b>			
Scorpio	2.2L L4 DSL	33-2939	
Scorpio	2.6L L4 DSL	33-2939	
<b>2004 MAHINDRA</b>			
Scorpio	2.6L L4 DSL	E-2984	
<b>2003 MAHINDRA</b>			
Scorpio	2.6L L4 DSL	E-2984	
<b>2002 MALAYSIA</b>			
Kelisa 700	1.0L L4 - EJ-DE	33-2836	
<b>2008 MARUTI SUZUKI</b>			
Swift	1.3L L4 DSL	33-2952	
<b>2007 MARUTI SUZUKI</b>			
Esteem	1.3L L4 F/I	E-9132	
Swift	1.3L L4 F/I	33-2910	
<b>2006 MARUTI SUZUKI</b>			
Esteem	1.3L L4 F/I	E-9132	
Swift	1.3L L4 F/I	33-2910	
<b>2005 MARUTI SUZUKI</b>			
800	0.8L L3 F/I	E-2297	
Esteem	1.3L L4 F/I	E-9132	

Vehicle	Engine Type	Air Filter	Oil Filter
<b>2005 MARUTI SUZUKI</b>			
Swift	1.3L L4 F/I	33-2910	
<b>2004 MARUTI SUZUKI</b>			
800	0.8L L3 F/I	E-2297	
Esteem	1.3L L4 F/I	E-9132	
Swift	1.3L L4 F/I	33-2910	
Versa	1.3L L4 F/I	33-2113	
<b>2003 MARUTI SUZUKI</b>			
800	0.8L L3 F/I	E-2297	
Esteem	1.3L L4 F/I	E-9132	
Swift	1.3L L4 F/I	33-2910	
Versa	1.3L L4 F/I	33-2113	
<b>2002 MARUTI SUZUKI</b>			
800	0.8L L3 F/I	E-2297	
Esteem	1.3L L4 F/I	E-9132	
Swift	1.3L L4 F/I	33-2910	
Versa	1.3L L4 F/I	33-2113	
<b>1995 MASERATI</b>			
420/430	2.8L V6 F/I	33-2576	
<b>1994 MASERATI</b>			
2.24V	2.8L V6 F/I	33-2576	
222	2.8L V6 F/I	33-2576	
Biturbo	2.0L V6 F/I	33-2576	
<b>1993 MASERATI</b>			
2.24V	2.8L V6 F/I	33-2576	
420/430	2.8L V6 F/I	33-2576	
<b>1992 MASERATI</b>			
2.24V	2.8L V6 F/I	33-2576	
420/430	2.8L V6 F/I	33-2576	
Biturbo	2.8L V6 F/I	33-2576	
<b>1991 MASERATI</b>			
2.24V	2.8L V6 F/I	33-2576	
Spyder	2.8L V6 F/I	33-2576	
<b>1990 MASERATI</b>			
2.24V	2.8L V6 F/I	33-2576	
<b>1989 MASERATI</b>			
2.24V	2.8L V6 F/I	33-2576	
<b>1987 MASERATI</b>			
Biturbo	2.0L V6 CARB	33-2576	
Biturbo	2.0L V6 F/I	33-2576	
Biturbo	2.5L V6 CARB	33-2576	
Biturbo	2.5L V6 F/I	33-2576	
<b>2009 MAYBACH</b>			
57	5.5L V12 F/I	33-2412	
57	6.0L V12 F/I	33-2412	
62	5.5L V12 F/I	33-2412	
62	6.0L V12 F/I	33-2412	
<b>2008 MAYBACH</b>			
57	5.5L V12 F/I	33-2412	
57	6.0L V12 F/I	33-2412	
62	5.5L V12 F/I	33-2412	
62	6.0L V12 F/I	33-2412	
<b>2007 MAYBACH</b>			
57	5.5L V12 F/I	33-2412	
57	6.0L V12 F/I	33-2412	
62	5.5L V12 F/I	33-2412	
62	6.0L V12 F/I	33-2412	

\*Indicates 2 filters required

◆ - Intake kit available

Applications updated daily at [knfilters.com](http://knfilters.com) ®

Partial Listing - Complete List of Vehicles and Applications at [knfilters.com](http://knfilters.com)

# MAYBACH

# AIR & OIL FILTERS

Vehicle	Engine Type	Air Filter	Oil Filter
<b>2006 MAYBACH</b>			
57	5.5L V12 F/I	33-2412	
57	6.0L V12 F/I	33-2412	
62	5.5L V12 F/I	33-2412	
<b>2005 MAYBACH</b>			
57	5.5L V12 F/I	33-2412	
57	6.0L V12 F/I	33-2412	
62	5.5L V12 F/I	33-2412	
<b>2004 MAYBACH</b>			
57	5.5L V12 F/I	33-2412	
62	5.5L V12 F/I	33-2412	
<b>2003 MAYBACH</b>			
57	5.5L V12 F/I	33-2412	
62	5.5L V12 F/I	33-2412	
<b>2002 MAYBACH</b>			
57	5.5L V12 F/I	33-2412	
62	5.5L V12 F/I	33-2412	
<b>2011 MAZDA</b>			
2	1.5L L4 F/I	33-2924	HP-1008
3	2.0L L4 F/I	33-2293	HP-1002
3	2.5L L4 F/I	33-2293 ♦	HP-1002
6	2.5L L4 F/I - US	33-2424	
6	3.7L V6 F/I	33-2395	HP-2009
CX-7	2.3L L4 F/I	33-2279	HP-1002
CX-7	2.5L L4 F/I	33-2279	HP-1002
CX-9	3.7L V6 F/I	33-2395	HP-2009
Mazdaspeed3	2.3L L4 F/I	33-2293 ♦	HP-1002
MX-5 Miata	2.0L L4 F/I		HP-1002
RX-8	1.3L R2 F/I	33-2284 ♦	HP-1010
Tribute	2.5L L4 F/I	33-2187	HP-1002
Tribute	3.0L V6 F/I	E-1990	HP-2011
Tribute Hybrid	2.5L L4 F/I	33-2347	HP-1002
<b>2010 MAZDA</b>			
2	1.3L L4 F/I	33-2924	
2	1.5L L4 F/I	33-2924	
2	1.6L L4 DSL	33-2924	
3	1.6L L4 DSL	E-2993	
3	1.6L L4 F/I	33-2924	
3	2.0L L4 F/I	33-2293	HP-1002
3	2.2L L4 DSL	33-2293	
3	2.5L L4 F/I	33-2293 ♦	HP-1002
5 Van	1.8L L4 F/I	33-2293	
5 Van	2.0L L4 DSL	33-2293	
5 Van	2.0L L4 F/I	33-2293	
5 Van	2.3L L4 F/I	33-2293	HP-1002
6	1.8L L4 F/I	33-2278	
6	2.0L L4 DSL	33-2278	
6	2.0L L4 F/I	33-2278	
6	2.2L L4 DSL	33-2278	
6	2.5L L4 F/I		HP-1002
6	2.5L L4 F/I - Non-US	33-2278	HP-1002
6	2.5L L4 F/I - US	33-2424	HP-1002
6	3.7L V6 F/I	33-2395	HP-2009
CX-7	2.3L L4 F/I	33-2279	HP-1002
CX-7	2.5L L4 F/I	33-2279	HP-1002
CX-9	3.7L V6 F/I	33-2395	HP-2009
Mazdaspeed3	2.3L L4 F/I	33-2293 ♦	HP-1002
MX-5 III	1.8L L4 F/I	33-2335 ♦	
MX-5 III	2.0L L4 F/I	33-2335	
MX-5 Miata	2.0L L4 F/I	33-2335	HP-1002
RX-8	1.3L R2 F/I	33-2284 ♦	HP-1010
Tribute	2.5L L4 F/I	33-2187	HP-1002

Vehicle	Engine Type	Air Filter	Oil Filter
<b>2010 MAZDA</b>			
Tribute	3.0L V6 F/I	E-1990	HP-2011
Tribute Hybrid	2.5L L4 F/I	33-2347	HP-1002
<b>2009 MAZDA</b>			
2	1.3L L4 F/I	33-2924	
2	1.5L L4 F/I	33-2924	
2	1.6L L4 DSL	33-2924	
3	1.6L L4 DSL - From 6/09	E-2993	
3	1.6L L4 DSL - To 5/09	33-2874	
3	1.6L L4 F/I	33-2924	
3	2.0L L4 F/I	33-2293 ♦	HP-1002
3	2.2L L4 DSL	33-2293	
3	2.3L L4 F/I	33-2293 ♦	HP-7013
5 Van	1.8L L4 F/I	33-2293	
5 Van	2.0L L4 DSL	33-2293	
5 Van	2.0L L4 F/I	33-2293	
5 Van	2.3L L4 F/I	33-2293	HP-7013
6	1.8L L4 F/I	33-2278 ♦	
6	2.0L L4 DSL	33-2278	
6	2.0L L4 F/I	33-2278 ♦	
6	2.2L L4 DSL	33-2278	
6	2.5L L4 F/I - Cartridge		HP-7013
6	2.5L L4 F/I - Non-US	33-2278	
6		33-2278 ♦	
6	2.5L L4 F/I - Spin On		HP-1002
6	2.5L L4 F/I - US	33-2424	
6		33-2424 ♦	
6	3.7L V6 F/I	33-2395	HP-2009
B2300	2.3L L4 F/I	33-2106-1	HP-1002
B4000	4.0L V6 F/I	33-2106-1 ♦	HP-2010
CX-7	2.3L L4 F/I	33-2279	HP-7013
CX-9	3.7L V6 F/I	33-2395	HP-2009
Mazdaspeed3	2.3L L4 F/I	33-2293 ♦	HP-7013
MX-5 III	1.8L L4 F/I	33-2335 ♦	
MX-5 III	2.0L L4 F/I	33-2335 ♦	
MX-5 Miata	2.0L L4 F/I	33-2335	HP-1002
RX-8	1.3L R2 F/I	33-2284 ♦	HP-1010
Tribute	2.5L L4 F/I	33-2187	HP-1002
Tribute	2.5L L4 F/I - Cartridge	33-2187	HP-7013
Tribute	3.0L V6 F/I	E-1990	HP-2011
Tribute Hybrid	2.5L L4 F/I	33-2347	HP-7013
<b>2008 MAZDA</b>			
2	1.3L L4 F/I	33-2924	
2	1.5L L4 F/I	33-2924	
2	1.6L L4 DSL	33-2924	
3	1.4L L4 F/I	33-2924	
3	1.6L L4 DSL	33-2874	
3	1.6L L4 F/I	33-2924	
3	2.0L L4 DSL	33-2293	
3	2.0L L4 F/I	33-2293 ♦	HP-1002
3	2.3L L4 F/I	33-2293 ♦	HP-7013
5 Van	1.8L L4 F/I	33-2293	
5 Van	2.0L L4 DSL	33-2293	
5 Van	2.0L L4 F/I	33-2293	
5 Van	2.3L L4 F/I	33-2293 ♦	HP-7013
6	1.8L L4 F/I	33-2278 ♦	
6	2.0L L4 DSL	33-2278	
6	2.0L L4 F/I	33-2278 ♦	
6	2.3L L4 F/I	33-2278 ♦	HP-7013
6	2.3L L4 F/I - Non-US	33-2279 ♦	HP-7013
6	2.5L L4 F/I	33-2278	
6	3.0L V6 F/I	33-2279	HP-2010
B2300	2.3L L4 F/I	33-2106-1	HP-1002

\*Indicates 2 filters required

♦ - Intake kit available

Applications updated daily at [knfilters.com](http://knfilters.com) ®



# AIR & OIL FILTERS

# MAZDA

Vehicle	Engine Type	Air Filter	Oil Filter	Vehicle	Engine Type	Air Filter	Oil Filter
<b>2008 MAZDA</b>				<b>2006 MAZDA</b>			
B3000	3.0L V6 F/I	33-2106-1	HP-2009	3	2.0L L4 F/I - VIN G	33-2293	HP-7013
B4000	4.0L V6 F/I	33-2106-1 ♦	HP-2010	3	2.3L L4 F/I	33-2293 ♦	HP-7013
CX-7	2.3L L4 F/I	33-2279	HP-7013	5 Van	1.8L L4 F/I	33-2293	
CX-9	3.7L V6 F/I	33-2395	HP-2009	5 Van	2.0L L4 DSL	33-2293	
Mazdaspeed3	2.3L L4 F/I	33-2293 ♦	HP-7013	5 Van	2.0L L4 F/I	33-2293	
MX-5	2.0L L4 F/I	33-2335	HP-1002	5 Van	2.3L L4 F/I		HP-7013
MX-5 III	1.8L L4 F/I	33-2335 ♦		6	1.8L L4 F/I	33-2278 ♦	
MX-5 III	2.0L L4 F/I	33-2335 ♦	HP-1002	6	2.0L L4 DSL	33-2278	
MX-5 Miata	2.0L L4 F/I	33-2335	HP-1002	6	2.0L L4 F/I	33-2278 ♦	
RX-8	1.3L R2 F/I	33-2284 ♦	HP-1008	6	2.3L L4 F/I	33-2278 ♦	HP-7013
Tribute	2.3L L4 F/I	33-2187	HP-1002	6	3.0L V6 F/I	33-2279 ♦	HP-2010
Tribute	3.0L V6 F/I	33-2187	HP-2010	B2300	2.3L L4 F/I	33-2106-1	HP-1002
Tribute Hybrid	2.3L L4 F/I		HP-7013	B3000	3.0L V6 F/I	33-2106-1 ♦	HP-2009
<b>2007 MAZDA</b>				B4000	4.0L V6 F/I	33-2106-1 ♦	HP-2010
2	1.25L L4 F/I	33-2853 ♦		Mazdaspeed6	2.3L L4 F/I - US	33-2279	HP-7013
2	1.3L L4 F/I	33-2924		MPV	3.0L V6 F/I	33-2278	HP-2010
2	1.4L L4 DSL	33-2840		MPV II	3.0L V6 F/I	33-2177-1	HP-2010
2	1.4L L4 F/I	33-2853 ♦		MX-5	2.0L L4 F/I	33-2335	HP-1002
2	1.5L L4 F/I	33-2924		MX-5 III	1.8L L4 F/I	33-2335 ♦	
2	1.6L L4 DSL	33-2924		MX-5 III	2.0L L4 F/I	33-2335 ♦	HP-1002
2	1.6L L4 F/I	33-2853 ♦		MX-5 Miata	2.0L L4 F/I	33-2335	HP-1002
3	1.4L L4 F/I	33-2924		RX-8	1.3L R2 F/I	33-2284 ♦	HP-1008
3	1.6L L4 DSL	33-2874		Tribute	2.3L L4 F/I	33-2187	HP-1002
3	1.6L L4 F/I	33-2924		Tribute	3.0L V6 F/I	33-2187	HP-2010
3	2.0L L4 DSL	33-2293		<b>2005 MAZDA</b>			
3	2.0L L4 F/I	33-2293 ♦		2	1.25L L4 F/I	33-2853 ♦	
3	2.0L L4 F/I - VIN F	33-2293	HP-1002	2	1.4L L4 DSL	33-2840	
3	2.0L L4 F/I - VIN G	33-2293	HP-7013	2	1.4L L4 F/I	33-2853 ♦	
3	2.3L L4 F/I	33-2293 ♦	HP-7013	2	1.6L L4 F/I	33-2853 ♦	
5 Van	1.8L L4 F/I	33-2293		3	1.4L L4 F/I	33-2924	
5 Van	2.0L L4 DSL	33-2293		3	1.6L L4 DSL	33-2874	
5 Van	2.0L L4 F/I	33-2293		3	1.6L L4 F/I	33-2924	
5 Van	2.3L L4 F/I	33-2293 ♦	HP-7013	3	2.0L L4 F/I	33-2293 ♦	HP-1002
6	1.8L L4 F/I	33-2278 ♦		3	2.3L L4 F/I	33-2293 ♦	HP-7013
6	2.0L L4 DSL	33-2278		5 Van	1.8L L4 F/I	33-2293	
6	2.0L L4 F/I	33-2278 ♦		5 Van	2.0L L4 DSL	33-2293	
6	2.3L L4 F/I		HP-7013	5 Van	2.0L L4 F/I	33-2293	
6	2.3L L4 F/I - Non-US	33-2279 ♦	HP-7013	6	1.8L L4 F/I	33-2278 ♦	
6	2.3L L4 F/I - US	33-2278 ♦	HP-7013	6	2.0L L4 DSL	33-2278	
6	2.5L L4 F/I	33-2278		6	2.0L L4 F/I	33-2278 ♦	
6	3.0L V6 F/I	33-2279 ♦	HP-2010	6	2.3L L4 F/I	33-2278 ♦	HP-7013
B2300	2.3L L4 F/I	33-2106-1	HP-1002	6	3.0L V6 F/I	33-2279 ♦	HP-2010
B3000	3.0L V6 F/I	33-2106-1 ♦	HP-2009	B2300	2.3L L4 F/I	33-2106-1	HP-2009
B4000	4.0L V6 F/I	33-2106-1 ♦	HP-2010	B3000	3.0L V6 F/I	33-2106-1 ♦	HP-2009
CX-7	2.3L L4 F/I	33-2279	HP-7013	B4000	4.0L V6 F/I	33-2106-1 ♦	HP-2010
CX-9	3.5L V6 F/I	33-2395	HP-2009	Miata	1.8L L4 F/I	33-2676 ♦	HP-1008
Mazdaspeed3	2.3L L4 F/I	33-2293 ♦	HP-7013	Miata Mazdaspeed	1.8L L4 F/I	33-2676	HP-1008
Mazdaspeed6	2.3L L4 F/I	33-2279	HP-7013	MPV	3.0L V6 F/I	33-2278	HP-2010
MX-5	2.0L L4 F/I	33-2335	HP-1002	MPV II	3.0L V6 F/I	33-2177-1	HP-2010
MX-5 III	1.8L L4 F/I	33-2335 ♦		MX-5 II	1.6L L4 F/I	33-2676 ♦	
MX-5 III	2.0L L4 F/I	33-2335 ♦	HP-1002	MX-5 II	1.8L L4 F/I	33-2676 ♦	
MX-5 Miata	2.0L L4 F/I	33-2335	HP-1002	MX-5 III	1.8L L4 F/I	33-2335 ♦	
RX-8	1.3L R2 F/I	33-2284 ♦	HP-1008	Premacy	1.8L L4 F/I	33-2134	
<b>2006 MAZDA</b>				Premacy	1.9L L4 F/I	33-2134	
2	1.25L L4 F/I	33-2853 ♦		Premacy	2.0L L4 DSL	33-2223	
2	1.4L L4 DSL	33-2840		Premacy	2.0L L4 F/I	33-2134	
2	1.4L L4 F/I	33-2853 ♦		RX-8	1.3L R2 F/I	33-2284 ♦	HP-1008
2	1.6L L4 F/I	33-2853 ♦		Tribute	2.0L L4 F/I	33-2187	HP-1012
3	1.4L L4 F/I	33-2924		Tribute	2.3L L4 F/I	33-2187	HP-1002
3	1.6L L4 DSL	33-2874		Tribute	3.0L V6 F/I	33-2187	HP-2010
3	1.6L L4 F/I	33-2924		<b>2004 MAZDA</b>			
3	2.0L L4 F/I	33-2293 ♦		2	1.25L L4 F/I	33-2853 ♦	
3	2.0L L4 F/I - VIN F	33-2293	HP-1002	2	1.4L L4 DSL	33-2840	

\*Indicates 2 filters required

♦ - Intake kit available

Applications updated daily at [knfilters.com](http://knfilters.com) ®

**Partial Listing - Complete List of Vehicles and Applications at [knfilters.com](http://knfilters.com)**

# MAZDA

# AIR & OIL FILTERS

Vehicle	Engine Type	Air Filter	Oil Filter	Vehicle	Engine Type	Air Filter	Oil Filter
<b>2004 MAZDA</b>				<b>2003 MAZDA</b>			
2	1.4L L4 F/I	33-2853 ♦		Premacy	1.9L L4 F/I	33-2134	
2	1.6L L4 F/I	33-2853 ♦		Premacy	2.0L L4 DSL	33-2223	
3	1.4L L4 F/I	33-2924		Premacy	2.0L L4 F/I	33-2134	
3	1.6L L4 DSL	33-2874		Protege	1.6L L4 F/I	33-2134	HP-1008
3	1.6L L4 F/I	33-2924		Protege	2.0L L4 F/I	33-2134 ♦	HP-1008
3	2.0L L4 F/I	33-2293 ♦	HP-1002	Protege Mazdaspeed	2.0L L4 F/I	33-2134	HP-1008
3	2.3L L4 F/I	33-2293 ♦	HP-7013	Protege5	2.0L L4 F/I	33-2134 ♦	HP-1008
6	1.8L L4 F/I	33-2278 ♦		RX-8	1.3L R2 F/I	33-2284 ♦	
6	2.0L L4 DSL	33-2278		Tribute	2.0L L4 F/I	33-2187	HP-1012
6	2.0L L4 F/I	33-2278 ♦		Tribute	3.0L V6 F/I	33-2187	HP-2010
6	2.3L L4 F/I	33-2278 ♦	HP-7013	<b>2002 MAZDA</b>			
6	3.0L V6 F/I	33-2279 ♦	HP-2010	6	1.8L L4 F/I	33-2278 ♦	
323 VI	1.4L L4 F/I	33-2824		6	2.0L L4 DSL	33-2278	
323 VI	1.9L L4 F/I	33-2134		6	2.0L L4 F/I	33-2278 ♦	
323 VI	2.0L L4 DSL	33-2223		6	2.3L L4 F/I	33-2278 ♦	
323 VI	2.0L V6 F/I	33-2134		323 VI	1.4L L4 F/I	33-2824	
B2300	2.3L L4 F/I	33-2106-1	HP-2009	323 VI	1.6L L4 F/I	33-2134	
B3000	3.0L V6 F/I	33-2106-1 ♦	HP-2009	323 VI	1.9L L4 F/I	33-2134	
B4000	4.0L V6 F/I	33-2106-1 ♦	HP-2010	323 VI	2.0L L4 DSL	33-2223	
B-Series	2.5L L4 DSL	33-2167		323 VI	2.0L V6 F/I	33-2134	
Miata	1.8L L4 F/I	33-2676 ♦	HP-1008	323 VI	2.0L L4 F/I	33-2157	HP-1008
Miata Mazdaspeed	1.8L L4 F/I	33-2676	HP-1008	626	2.5L V6 F/I	33-2157	HP-1010
MPV	3.0L V6 F/I	33-2278	HP-2010	626 V	1.8L L4 F/I	33-2676	
MPV II	3.0L V6 F/I	33-2177-1	HP-2010	626 V	2.0L L4 DSL	33-2177-1	
MX-5 II	1.6L L4 F/I	33-2676 ♦		626 V	2.0L L4 F/I	33-2676	HP-1008
MX-5 II	1.8L L4 F/I	33-2676 ♦	HP-1008	B2300	2.3L L4 F/I	33-2106-1 ♦	HP-2009
Premacy	1.8L L4 F/I	33-2134		B3000	3.0L V6 F/I	33-2106-1 ♦	HP-2009
Premacy	1.9L L4 F/I	33-2134		B4000	4.0L V6 F/I	33-2106-1 ♦	HP-2010
Premacy	2.0L L4 DSL	33-2223		B-Series	2.5L L4 DSL	33-2167	
Premacy	2.0L L4 F/I	33-2134		Demio	1.3L L4 F/I	33-2222	
RX-8	1.3L R2 F/I	33-2284 ♦	HP-1008	Demio	1.5L L4 F/I	33-2222	
Tribute	2.0L L4 F/I	33-2187	HP-1012	Miata	1.8L L4 F/I	33-2676 ♦	HP-1008
Tribute	3.0L V6 F/I	33-2187	HP-2010	Millenia	2.3L V6 F/I	33-2672	HP-1010
<b>2003 MAZDA</b>				Millenia	2.5L V6 F/I	33-2072	HP-1010
2	1.25L L4 F/I	33-2853 ♦		MP3	2.0L L4 F/I	33-2134 ♦	
2	1.4L L4 DSL	33-2840		MPV	3.0L V6 F/I	33-2177-1	HP-2010
2	1.4L L4 F/I	33-2853 ♦		MPV II	2.0L L4 F/I	33-2177-1	
2	1.6L L4 F/I	33-2853		MPV II	2.5L V6 F/I	33-2177-1	
3	1.4L L4 F/I	33-2924		MPV II	3.0L V6 F/I	33-2177-1	HP-2010
3	1.6L L4 F/I	33-2924		MX-5 II	1.6L L4 F/I	33-2676 ♦	
3	2.0L L4 F/I	33-2293 ♦		MX-5 II	1.8L L4 F/I	33-2676 ♦	HP-1008
6	1.8L L4 F/I	33-2278 ♦		Premacy	1.8L L4 F/I	33-2134	
6	2.0L L4 DSL	33-2278		Premacy	1.9L L4 F/I	33-2134	
6	2.0L L4 F/I	33-2278 ♦		Premacy	2.0L L4 DSL	33-2223	
6	2.3L L4 F/I	33-2278 ♦	HP-7013	Premacy	2.0L L4 F/I	33-2134	
6	3.0L V6 F/I	33-2279 ♦	HP-2010	Protege	1.6L L4 F/I		HP-1008
323 VI	1.4L L4 F/I	33-2824		Protege	2.0L L4 F/I	33-2134 ♦	HP-1008
323 VI	1.6L L4 F/I	33-2134		Protege5	2.0L L4 F/I	33-2134 ♦	HP-1008
323 VI	1.9L L4 F/I	33-2134		Tribute	2.0L L4 F/I	33-2187	HP-1012
323 VI	2.0L L4 DSL	33-2223		Tribute	3.0L V6 F/I	33-2187	HP-2010
323 VI	2.0L V6 F/I	33-2134		Xedos 9	2.5L V6 F/I	33-2072	
B2300	2.3L L4 F/I	33-2106-1 ♦	HP-2009	<b>2001 MAZDA</b>			
B3000	3.0L V6 F/I	33-2106-1 ♦	HP-2009	121 III	1.25L L4 F/I	33-2804	
B4000	4.0L V6 F/I	33-2106-1 ♦	HP-2010	121 III	1.3L L4 F/I	33-2804	
B-Series	2.5L L4 DSL	33-2167		121 III	1.8L L4 DSL	33-2804	
Demio	1.3L L4 F/I	33-2222		323 VI	1.4L L4 F/I	33-2824	
Demio	1.5L L4 F/I	33-2222		323 VI	1.5L L4 F/I	33-2134	
Miata	1.8L L4 F/I	33-2676 ♦	HP-1008	323 VI	1.6L L4 F/I	33-2134	
MPV	3.0L V6 F/I	33-2177-1	HP-2010	323 VI	1.9L L4 F/I	33-2134	
MPV II	3.0L V6 F/I	33-2177-1	HP-2010	323 VI	2.0L L4 DSL	33-2223	
MX-5 II	1.6L L4 F/I	33-2676 ♦		323 VI	2.0L L4 F/I	33-2134	
MX-5 II	1.8L L4 F/I	33-2676 ♦	HP-1008	626	2.0L L4 F/I	33-2157	HP-1008
Premacy	1.8L L4 F/I	33-2134		626	2.5L V6 F/I	33-2157	HP-1010

\*Indicates 2 filters required

♦ - Intake kit available

Applications updated daily at [knfilters.com](http://knfilters.com) ®

# AIR & OIL FILTERS

# MAZDA

Vehicle	Engine Type	Air Filter	Oil Filter	Vehicle	Engine Type	Air Filter	Oil Filter
<b>2001 MAZDA</b>				<b>2000 MAZDA</b>			
626 V	1.8L L4 F/I	33-2676		Premacy	2.0L L4 DSL	33-2223	
626 V	2.0L L4 DSL	33-2177-1		Protege	1.6L L4 F/I	33-2134	HP-1008
626 V	2.0L L4 F/I	33-2676	HP-1008	Protege	1.8L L4 F/I	33-2134	HP-1008
B2300	2.3L L4 F/I	33-2106-1 ♦	HP-2009	Xedos 9	2.0L V6 F/I	33-2072	
B2500	2.5L L4 F/I	33-2106-1 ♦	HP-2009	Xedos 9	2.3L V6 F/I	E-2790	
B3000	3.0L V6 F/I	33-2106-1 ♦	HP-2009	Xedos 9	2.5L V6 F/I	33-2072	
B4000	4.0L V6 F/I	33-2106-1 ♦	HP-2010	<b>1999 MAZDA</b>			
B-Series	2.2L L4 F/I	33-2117		121 III	1.25L L4 F/I	33-2804	
B-Series	2.5L L4 DSL	33-2167		121 III	1.3L L4 F/I	33-2804	
Demio	1.3L L4 F/I	33-2222		121 III	1.8L L4 DSL	33-2804	
Demio	1.5L L4 F/I	33-2222		323 VI	1.4L L4 F/I	33-2824	
Miata	1.8L L4 F/I	33-2676 ♦	HP-1008	323 VI	1.5L L4 F/I	33-2134	
Millenia	2.3L V6 F/I	33-2672	HP-1010	323 VI	1.9L L4 F/I	33-2134	
Millenia	2.5L V6 F/I	33-2072	HP-1010	323 VI	2.0L L4 DSL	33-2223	
MPV	2.5L V6 F/I	33-2177-1	HP-2010	626	2.0L L4 F/I	33-2157	HP-1008
MPV II	2.0L L4 F/I	33-2177-1		626	2.5L V6 F/I	33-2157	HP-1010
MPV II	2.5L V6 F/I	33-2177-1	HP-2010	626 V	1.8L L4 F/I	33-2676	
MX-5 II	1.6L L4 F/I	33-2676 ♦		626 V	2.0L L4 DSL	33-2177-1	
MX-5 II	1.8L L4 F/I	33-2676 ♦	HP-1008	626 V	2.0L L4 F/I	33-2676	HP-1008
Premacy	1.8L L4 F/I	33-2134		B2500	2.5L L4 F/I	33-2106-1 ♦	HP-2009
Premacy	1.9L L4 F/I	33-2134		B3000	3.0L V6 F/I	33-2106-1 ♦	HP-2009
Premacy	2.0L L4 DSL	33-2223		B4000	4.0L V6 F/I	33-2106-1 ♦	HP-3001
Premacy	2.0L L4 F/I	33-2134		Bongo	2.5L L4 DSL - SGL3, SGL5, Up to VIN 40000	E-9280	
Protege	1.6L L4 F/I	33-2134	HP-1008	Bounty	2.5L - TDi	33-2167	
Protege	1.8L L4 F/I	33-2134		B-Series	2.2L L4 F/I	33-2117	
Protege	2.0L L4 F/I	33-2134	HP-1008	B-Series	2.5L L4 DSL	33-2167	
Tribute	2.0L L4 F/I	33-2187	HP-1012	B-Series	2.6L L4 F/I - 122BHP	33-2117	
Tribute	3.0L V6 F/I	33-2187	HP-2010	Demio	1.3L L4 F/I	33-2222	
Xedos 9	2.0L V6 F/I	33-2072		Miata	1.8L L4 F/I	33-2676 ♦	HP-1008
Xedos 9	2.3L V6 F/I	E-2790		Millenia	2.3L V6 F/I	33-2672	HP-1010
Xedos 9	2.5L V6 F/I	33-2072		Millenia	2.5L V6 F/I	33-2072	HP-1010
<b>2000 MAZDA</b>				MPV I	3.0L V6 F/I	33-2117	HP-1010
121 III	1.25L L4 F/I	33-2804		MPV II	2.0L L4 F/I	33-2177-1	
121 III	1.3L L4 F/I	33-2804		MPV II	2.5L V6 F/I	33-2177-1	
121 III	1.8L L4 DSL	33-2804		MX-3	1.6L L4 F/I	33-2083	
323 VI	1.4L L4 F/I	33-2824		MX-3	1.8L V6 F/I	33-2083	
323 VI	1.5L L4 F/I	33-2134		MX-5 II	1.6L L4 F/I	33-2676 ♦	
323 VI	1.6L L4 F/I	33-2134		MX-5 II	1.8L L4 F/I	33-2676 ♦	HP-1008
323 VI	1.9L L4 F/I	33-2134		Premacy	1.8L L4 F/I	33-2134	
323 VI	2.0L L4 DSL	33-2223		Premacy	1.9L L4 F/I	33-2134	
626	2.0L L4 F/I	33-2157	HP-1008	Premacy	2.0L L4 DSL	33-2223	
626	2.5L V6 F/I	33-2157	HP-1010	Protege	1.6L L4 F/I	33-2134	HP-1008
626 V	1.8L L4 F/I	33-2676		Protege	1.8L L4 F/I	33-2134	HP-1008
626 V	2.0L L4 DSL	33-2177-1		Xedos 6	2.0L V6 F/I	33-2072 ♦	
626 V	2.0L L4 F/I	33-2676	HP-1008	Xedos 9	2.0L V6 F/I	33-2072	
B2500	2.5L L4 F/I	33-2106-1 ♦	HP-2009	Xedos 9	2.3L V6 F/I	E-2790	
B3000	3.0L V6 F/I	33-2106-1 ♦	HP-2009	Xedos 9	2.5L V6 F/I	33-2072	
B4000	4.0L V6 F/I	33-2106-1 ♦	HP-3001	<b>1998 MAZDA</b>			
B-Series	2.2L L4 F/I	33-2117		121 III	1.25L L4 F/I	33-2804	
B-Series	2.5L L4 DSL	33-2167		121 III	1.3L L4 F/I	33-2804	
Demio	1.3L L4 F/I	33-2222		121 III	1.8L L4 DSL	33-2804	
Demio	1.5L L4 F/I	33-2222		323 V	1.3L L4 F/I	33-2134	
Miata	1.8L L4 F/I	33-2676 ♦	HP-1008	323 V	1.5L L4 F/I	33-2134 ♦	
Millenia	2.3L V6 F/I	33-2672	HP-1010	323 V	1.8L L4 F/I	33-2134 ♦	
Millenia	2.5L V6 F/I	33-2072	HP-1010	323 V	2.0L L4 DSL	33-2223	
MPV	2.5L V6 F/I	33-2177-1	HP-2010	323 V	2.0L L4 F/I	33-2026	
MPV II	2.0L L4 F/I	33-2177-1		323 VI	1.4L L4 F/I	33-2824	
MPV II	2.5L V6 F/I	33-2177-1	HP-2010	323 VI	1.5L L4 F/I	33-2134	
MX-3	1.6L L4 F/I	33-2083		323 VI	1.9L L4 F/I	33-2134	
MX-5 II	1.6L L4 F/I	33-2676 ♦		323 VI	2.0L L4 DSL	33-2223	
MX-5 II	1.8L L4 F/I	33-2676 ♦	HP-1008	626	2.0L L4 F/I	33-2157	HP-1008
Premacy	1.8L L4 F/I	33-2134		626	2.5L V6 F/I	33-2157	HP-1010
Premacy	1.9L L4 F/I	33-2134					

\*Indicates 2 filters required      ♦ - Intake kit available      Applications updated daily at [knfilters.com](http://knfilters.com) ®

**Partial Listing - Complete List of Vehicles and Applications at [knfilters.com](http://knfilters.com)**

# MAZDA

# AIR & OIL FILTERS

Vehicle	Engine Type	Air Filter	Oil Filter	Vehicle	Engine Type	Air Filter	Oil Filter
<b>1998 MAZDA</b>				<b>1997 MAZDA</b>			
626 V	1.8L L4 F/I	33-2676		Xedos 6	2.0L V6 F/I	33-2072 ♦	
626 V	2.0L L4 DSL	33-2177-1		Xedos 9	2.0L V6 F/I	33-2072	
626 V	2.0L L4 F/I	33-2676	HP-1008	Xedos 9	2.3L V6 F/I	E-2790	
B2500	2.5L L4 F/I	33-2106-1 ♦	HP-2009	Xedos 9	2.5L V6 F/I	33-2072	
B3000	3.0L V6 F/I	33-2106-1 ♦	HP-2009	<b>1996 MAZDA</b>			
B4000	4.0L V6 F/I	33-2106-1 ♦	HP-3001	121 II	1.3L L4 F/I - to 2/96	E-9181	
Bongo	2.5L L4 DSL - SGL3, SGL5, Up to VIN 40000	E-9280		121 III	1.25L L4 F/I	33-2804	
B-Series	2.5L L4 DSL	33-2167		121 III	1.3L L4 F/I - from 3/96	33-2804	
B-Series	2.6L L4 F/I - 122BHP	33-2117		121 III	1.8L L4 DSL	33-2804	
Demio	1.3L L4 F/I	33-2222		323 V	1.3L L4 F/I	33-2134	
Miata	1.8L L4 F/I	33-2676 ♦	HP-1008	323 V	1.5L L4 F/I	33-2134 ♦	
Millenia	2.3L V6 F/I	33-2672	HP-1010	323 V	1.8L L4 F/I	33-2134 ♦	
Millenia	2.5L V6 F/I	33-2072	HP-1010	323 V	2.0L L4 DSL	33-2223	
MPV	3.0L V6 F/I	33-2117	HP-1010	323 V	2.0L L4 F/I	33-2026	
MPV I	3.0L V6 F/I	33-2117	HP-1010	626	2.0L L4 F/I	33-2049	HP-1006
MX-3	1.6L L4 F/I	33-2083		626	2.5L V6 F/I	33-2049	HP-1010
MX-3	1.8L V6 F/I	33-2083		626 III	2.0L L4 F/I - 90/140BHP	33-2026	
MX-5 I	1.6L L4 F/I - to 4/98	33-2034 ♦		626 III	2.2L L4 F/I	33-2026	
MX-5 I	1.8L L4 F/I	33-2676 ♦		626 IV	1.8L L4 F/I	33-2676	
MX-5 II	1.6L L4 F/I - from 5/98	33-2676 ♦		626 IV	2.0L L4 F/I	33-2676	HP-1006
MX-5 II	1.8L L4 F/I	33-2676 ♦	HP-1008	626 IV	2.5L V6 F/I	33-2049	HP-1010
Protege	1.5L L4 F/I	33-2134	HP-1008	B2300	2.3L L4 F/I	E-0995 ♦	HP-3001
Protege	1.8L L4 F/I	33-2134	HP-1008	B3000	3.0L V6 F/I	E-0995	HP-2009
Xedos 6	2.0L V6 F/I	33-2072 ♦		B4000	4.0L V6 F/I	E-0995	HP-3001
Xedos 9	2.0L V6 F/I	33-2072		Bongo	2.5L L4 DSL - SGL3, SGL5, Up to VIN 40000	E-9280	
Xedos 9	2.3L V6 F/I	E-2790		B-Series	2.0L L4 CARB	E-2790	
Xedos 9	2.5L V6 F/I	33-2072		B-Series	2.2L L4 CARB	E-2790	
<b>1997 MAZDA</b>				B-Series	2.2L L4 DSL	E-2536	
121 III	1.3L L4 F/I	33-2804		B-Series	2.5L L4 DSL	33-2167	
121 III	1.8L L4 DSL	33-2804		B-Series	2.6L L4 F/I - 122BHP	33-2117	
323 V	1.3L L4 F/I	33-2134		Miata	1.8L L4 F/I	33-2034 ♦	HP-1008
323 V	1.5L L4 F/I	33-2134 ♦		Millenia	2.3L V6 F/I	33-2672	HP-1010
323 V	1.8L L4 F/I	33-2134 ♦		Millenia	2.5L V6 F/I	33-2072	HP-1010
323 V	2.0L L4 DSL	33-2223		MPV	3.0L V6 F/I	33-2117	HP-1010
323 V	2.0L L4 F/I	33-2026		MPV I	3.0L V6 F/I	33-2117	HP-1010
626	2.0L L4 F/I	33-2049	HP-1008	MX-3	1.6L L4 F/I	33-2083	
626	2.5L V6 F/I	33-2049	HP-1010	MX-3	1.8L V6 F/I	33-2083	
626 III	2.0L L4 F/I - 90/140BHP	33-2026		MX-5 I	1.6L L4 F/I	33-2034 ♦	
626 IV	1.8L L4 F/I	33-2676		MX-5 I	1.8L L4 F/I	33-2676 ♦	
626 IV	2.0L L4 F/I	33-2676		MX-6	2.0L L4 F/I	33-2049	HP-1006
626 IV	2.5L V6 F/I	33-2049	HP-1010	MX-6	2.5L V6 F/I	33-2049 ♦	HP-1010
626 V	1.8L L4 F/I	33-2676		Protege	1.5L L4 F/I	33-2134	HP-1008
626 V	2.0L L4 F/I	33-2676	HP-1008	Protege	1.8L L4 F/I	33-2134	HP-1008
B2300	2.3L L4 F/I	E-0995 ♦	HP-3001	RX-7 III	1.3L R2 F/I	33-2017	HP-1008
B3000	3.0L V6 F/I	E-0995	HP-2009	Xedos 6	2.0L V6 F/I	33-2072 ♦	
B4000	4.0L V6 F/I	E-0995 ♦	HP-3001	Xedos 9	2.0L V6 F/I	33-2072	
Bongo	2.5L L4 DSL - SGL3, SGL5, Up to VIN 40000	E-9280		Xedos 9	2.3L V6 F/I	E-2790	
B-Series	2.5L L4 DSL	33-2167		Xedos 9	2.5L V6 F/I	33-2072	
B-Series	2.6L L4 F/I - 122BHP	33-2117		<b>1995 MAZDA</b>			
Miata	1.8L L4 F/I	33-2034 ♦	HP-1008	121 II	1.3L L4 F/I	E-9181	
Millenia	2.3L V6 F/I	33-2672	HP-1010	323 III	1.6L L4 F/I	33-2027	
Millenia	2.5L V6 F/I	33-2072	HP-1010	323 V	1.3L L4 F/I	33-2134	
MPV	3.0L V6 F/I	33-2117	HP-1010	323 V	1.5L L4 F/I	33-2134 ♦	
MPV I	3.0L V6 F/I	33-2117	HP-1010	323 V	1.8L L4 F/I	33-2134 ♦	
MX-3	1.6L L4 F/I	33-2083		323 V	2.0L L4 F/I	33-2026	
MX-3	1.8L V6 F/I	33-2083		626	2.0L L4 F/I	33-2049	HP-1006
MX-5 I	1.6L L4 F/I	33-2034 ♦		626	2.5L V6 F/I	33-2049	HP-1010
MX-5 I	1.8L L4 F/I	33-2676 ♦		626 III	2.0L L4 F/I - 90/140BHP	33-2026	
MX-6	2.0L L4 F/I	33-2049	HP-1008	626 III	2.2L L4 F/I	33-2026	
MX-6	2.5L V6 F/I	33-2049 ♦	HP-1010	626 IV	1.8L L4 F/I	33-2676	
Protege	1.5L L4 F/I	33-2134	HP-1008	626 IV	2.0L L4 F/I	33-2676	HP-1006
Protege	1.8L L4 F/I	33-2134	HP-1008				

\*Indicates 2 filters required

♦ - Intake kit available

Applications updated daily at [knfilters.com](http://knfilters.com) ®

# AIR & OIL FILTERS

# MAZDA

Vehicle	Engine Type	Air Filter	Oil Filter	Vehicle	Engine Type	Air Filter	Oil Filter
<b>1995 MAZDA</b>				<b>1994 MAZDA</b>			
626 IV	2.5L V6 F/I	33-2049	HP-1010	MX-6	2.0L L4 F/I	33-2049	HP-1006
929	3.0L V6 F/I	33-2050-1	HP-1010	MX-6	2.5L V6 F/I	33-2049 ♦	HP-1010
B2300	2.3L L4 F/I	E-0995 ♦	HP-3001	Navajo	4.0L V6 F/I	33-2024	HP-3001
B3000	3.0L V6 F/I	E-0995	HP-2009	Protege	1.8L L4 F/I	33-2034	HP-1008
B4000	4.0L V6 F/I	E-0995	HP-3001	RX-7	1.3L R2 F/I	33-2017	HP-1008
Bongo	2.5L L4 DSL - SGL3, SGL5, Up to VIN 40000	E-9280		RX-7 III	1.3L R2 F/I	33-2017	HP-1008
B-Series	2.0L L4 CARB	E-2790		Xedos 6	2.0L V6 F/I	33-2072 ♦	
B-Series	2.2L L4 CARB	E-2790		Xedos 9	2.5L V6 F/I	33-2072	
B-Series	2.2L L4 DSL	E-2536		<b>1993 MAZDA</b>			
B-Series	2.6L L4 F/I - 122BHP	33-2117		121 II	1.3L L4 F/I	E-9181	
Miata	1.8L L4 F/I	33-2034 ♦	HP-1008	323	1.6L L4 F/I	33-2034	HP-1008
Millenia	2.3L V6 F/I	33-2672	HP-1010	323	1.8L L4 F/I	33-2034	
Millenia	2.5L V6 F/I	33-2072	HP-1010	323 III	1.6L L4 F/I	33-2027	
MPV	3.0L V6 F/I	33-2117	HP-1010	323 IV	1.3L L4 F/I	33-2034	
MPV I	3.0L V6 F/I	33-2117	HP-1010	323 IV	1.6L L4 F/I	33-2034	HP-1008
MX-3	1.6L L4 F/I	33-2083	HP-1008	323 IV	1.8L L4 F/I	33-2034 ♦	
MX-3	1.8L V6 F/I	33-2083		626	2.0L L4 F/I	33-2049	HP-1006
MX-5 I	1.6L L4 F/I	33-2034 ♦		626	2.5L V6 F/I	33-2049	HP-1010
MX-5 I	1.8L L4 F/I	33-2676 ♦		626 III	2.0L L4 F/I - 90/140BHP	33-2026	
MX-6	2.0L L4 F/I	33-2049	HP-1006	626 III	2.2L L4 F/I	33-2026	
MX-6	2.5L V6 F/I	33-2049 ♦	HP-1010	626 IV	1.8L L4 F/I	33-2676	
Protege	1.5L L4 F/I	33-2134	HP-1008	626 IV	2.0L L4 F/I	33-2676	HP-1006
Protege	1.8L L4 F/I	33-2134	HP-1008	626 IV	2.5L V6 F/I	33-2049	HP-1010
RX-7	1.3L R2 F/I	33-2017	HP-1008	929	3.0L V6 F/I	33-2050-1	HP-1010
RX-7 III	1.3L R2 F/I	33-2017	HP-1008	B2200	2.2L L4 CARB	E-2790	HP-1006
Xedos 6	2.0L V6 F/I	33-2072 ♦		B2200	2.2L L4 F/I	33-2117	HP-1006
Xedos 9	2.0L V6 F/I	33-2072		B2600	2.6L L4 F/I	33-2117	HP-1010
Xedos 9	2.5L V6 F/I	33-2072		B-Series	2.0L L4 CARB	E-2790	
<b>1994 MAZDA</b>				B-Series	2.2L L4 CARB	E-2790	HP-1006
121 II	1.3L L4 F/I	E-9181		B-Series	2.2L L4 DSL	E-2536	
323	1.6L L4 F/I	33-2034	HP-1008	B-Series	2.6L L4 F/I		HP-1010
323	1.8L L4 F/I	33-2034		B-Series	2.6L L4 F/I - 122BHP	33-2117	HP-1010
323 III	1.6L L4 F/I	33-2027		Miata	1.6L L4 F/I	33-2034 ♦	HP-1008
323 IV	1.3L L4 F/I	33-2034		MPV	2.6L L4 F/I		HP-1010
323 IV	1.6L L4 F/I	33-2034	HP-1008	MPV	3.0L V6 F/I	33-2117	HP-1010
323 IV	1.8L L4 F/I	33-2034 ♦		MX-3	1.6L L4 F/I	33-2083 ♦	HP-1008
323 V	1.3L L4 F/I	33-2134		MX-3	1.8L V6 F/I	33-2083	HP-1010
323 V	1.5L L4 F/I	33-2134 ♦		MX-5 I	1.6L L4 F/I	33-2034	
323 V	1.8L L4 F/I	33-2134 ♦		MX-5 I	1.8L L4 F/I	33-2676 ♦	
323 V	2.0L L4 F/I	33-2026		MX-6	2.0L L4 F/I	33-2049	HP-1006
626	2.0L L4 F/I	33-2049	HP-1006	MX-6	2.5L V6 F/I	33-2049 ♦	HP-1010
626	2.5L V6 F/I	33-2049	HP-1010	Navajo	4.0L V6 F/I	33-2024	HP-3001
626 III	2.0L L4 F/I - 90/140BHP	33-2026		Protege	1.8L L4 F/I	33-2034	HP-1008
626 III	2.2L L4 F/I	33-2026		RX-7	1.3L R2 F/I	33-2017	HP-1008
626 IV	1.8L L4 F/I	33-2676		RX-7 III	1.3L R2 F/I	33-2017	HP-1008
626 IV	2.0L L4 F/I	33-2676	HP-1006	Xedos 6	2.0L V6 F/I	33-2072 ♦	
626 IV	2.5L V6 F/I	33-2049	HP-1010	Xedos 9	2.0L V6 F/I	33-2072	
929	3.0L V6 F/I	33-2050-1	HP-1010	Xedos 9	2.5L V6 F/I	33-2072	
B2300	2.3L L4 F/I	33-2024	HP-3001	<b>1992 MAZDA</b>			
B3000	3.0L V6 F/I	33-2024	HP-2009	121 II	1.3L L4 F/I	E-9181	
B4000	4.0L V6 F/I	33-2024	HP-3001	323	1.6L L4 F/I	33-2034	HP-1008
B-Series	2.0L L4 CARB	E-2790		323 III	1.6L L4 F/I	33-2027	
B-Series	2.2L L4 CARB	E-2790		323 IV	1.3L L4 F/I	33-2034	
B-Series	2.2L L4 DSL	E-2536		323 IV	1.6L L4 F/I	33-2034	HP-1008
B-Series	2.6L L4 F/I - 122BHP	33-2117		323 IV	1.8L L4 F/I	33-2034 ♦	
Miata	1.8L L4 F/I	33-2034 ♦	HP-1008	626	2.2L L4 F/I	33-2026	HP-1010
MPV	2.6L L4 F/I		HP-1010	626 III	1.8L L4 CARB	E-2790	
MPV	3.0L V6 F/I	33-2117	HP-1010	626 III	2.0L L4 F/I - 90/140BHP	33-2026	
MX-3	1.6L L4 F/I	33-2083 ♦	HP-1008	626 III	2.2L L4 F/I	33-2026	HP-1010
MX-3	1.8L V6 F/I	33-2083	HP-1010	626 IV	1.8L L4 F/I	33-2676	
MX-5 I	1.6L L4 F/I	33-2034 ♦		626 IV	2.0L L4 F/I	33-2676	
MX-5 I	1.8L L4 F/I	33-2676 ♦		626 IV	2.5L V6 F/I	33-2049	HP-1010

\*Indicates 2 filters required

♦ - Intake kit available

Applications updated daily at [knfilters.com](http://knfilters.com) ®

**Partial Listing - Complete List of Vehicles and Applications at [knfilters.com](http://knfilters.com)**

# MAZDA

# AIR & OIL FILTERS

Vehicle	Engine Type	Air Filter	Oil Filter	Vehicle	Engine Type	Air Filter	Oil Filter
<b>1992 MAZDA</b>				<b>1990 MAZDA</b>			
929	3.0L V6 F/I	33-2050-1	HP-1010	323 IV	1.3L L4 F/I	33-2034	
B2200	2.2L L4 CARB	E-2790	HP-1006	323 IV	1.6L L4 F/I	33-2034	HP-1008
B2200	2.2L L4 F/I	33-2117	HP-1006	323 IV	1.8L L4 F/I	33-2034 ♦	
B2600	2.6L L4 F/I	33-2117	HP-1010	323 SE	1.6L L4 F/I	E-9194	HP-1008
B-Series	2.0L L4 CARB	E-2790		626	2.2L L4 F/I	33-2026	HP-1010
B-Series	2.2L L4 CARB	E-2790	HP-1006	626 III	1.8L L4 CARB	E-2790	
B-Series	2.2L L4 DSL	E-2536		626 III	2.0L L4 CARB	E-2790	
B-Series	2.6L L4 F/I		HP-1010	626 III	2.0L L4 F/I - 90/140BHP	33-2026	
B-Series	2.6L L4 F/I - 122BHP	33-2117	HP-1010	626 III	2.2L L4 F/I	33-2026	HP-1010
Miata	1.6L L4 F/I	33-2034 ♦	HP-1008	929	3.0L V6 F/I	33-2117	HP-1010
MPV	2.6L L4 F/I		HP-1010	929 III	2.2L L4 F/I	33-2050-1	
MPV	3.0L V6 F/I	33-2117	HP-1010	929 III	3.0L V6 F/I	33-2117	HP-1010
MX-3	1.6L L4 F/I	33-2083 ♦	HP-1008	B2200	2.2L L4 CARB	E-2790	HP-1006
MX-3	1.8L V6 F/I	33-2083	HP-1010	B2200	2.2L L4 F/I	33-2117	HP-1006
MX-5 I	1.6L L4 F/I	33-2034		B2600	2.6L L4 F/I	33-2117	HP-1010
MX-6	2.0L L4 F/I	33-2049		B-Series	2.0L L4 CARB	E-2790	
MX-6	2.2L L4 F/I	33-2026	HP-1006	B-Series	2.6L L4 F/I		HP-1010
MX-6	2.5L L4 F/I	33-2049		B-Series	2.6L L4 F/I - 122BHP	33-2117	HP-1010
Navajo	4.0L V6 F/I	33-2024	HP-3001	B-Series	2.6L L4 F/I - 99BHP	E-2810	HP-1010
Protege	1.8L L4 F/I	33-2034	HP-1008	Miata	1.6L L4 F/I	33-2034 ♦	HP-1008
RX-7 III	1.3L R2 F/I	33-2017	HP-1008	MPV	2.6L L4 F/I		HP-1010
Xedos 6	2.0L V6 F/I	33-2072 ♦		MPV	3.0L V6 F/I	33-2117	HP-1010
Xedos 9	2.0L V6 F/I	33-2072		MX-5 I	1.6L L4 F/I	33-2034	
<b>1991 MAZDA</b>				MX-6	2.2L L4 F/I	33-2026	HP-1006
121 II	1.3L L4 F/I	E-9181		Protege	1.8L L4 F/I	33-2034	HP-1004
323	1.6L L4 F/I	33-2034	HP-1008	RX-7	1.3L R2 F/I	33-2017	HP-1004
323	1.8L L4 F/I	33-2034	HP-1004	RX-7 II	1.3L R2 F/I	33-2017	HP-1004
323 III	1.6L L4 F/I	33-2027		<b>1989 MAZDA</b>			
323 IV	1.3L L4 F/I	33-2034		121 I	1.3L L4 F/I	E-9181	
323 IV	1.6L L4 F/I	33-2034	HP-1008	323	1.6L L4 F/I	33-2027	HP-1004
323 IV	1.8L L4 F/I	33-2034 ♦		323 II	1.3L L4 F/I	E-2980	
323 SE	1.6L L4 F/I	E-9194	HP-1008	323 III	1.3L L4 F/I	E-2830	
626	2.2L L4 F/I	33-2026	HP-1006	323 III	1.5L L4 F/I	E-2830	
626 III	2.0L L4 CARB	E-2790	HP-1006	323 III	1.6L L4 F/I	33-2027	HP-1004
626 III	2.0L L4 F/I - 90/140BHP	33-2026		323 IV	1.3L L4 F/I	33-2034	
626 III	2.2L L4 F/I	33-2026	HP-1006	323 IV	1.6L L4 F/I	33-2034	
626 IV	2.0L L4 F/I	33-2676		323 IV	1.8L L4 F/I	33-2034 ♦	
929	3.0L V6 F/I	33-2117	HP-1010	626	2.2L L4 F/I	33-2026	HP-1010
929 III	3.0L V6 F/I	33-2117	HP-1010	626 III	2.0L L3 F/I - 90/140BHP	33-2026	
B2200	2.2L L4 CARB	E-2790	HP-1006	626 III	2.0L L4 CARB	E-2790	
B2200	2.2L L4 F/I	33-2117	HP-1006	626 III	2.2L L4 F/I	33-2026	HP-1010
B2600	2.6L L4 F/I	33-2117	HP-1010	929	3.0L V6 F/I	33-2117	HP-1004
B-Series	2.0L L4 CARB	E-2790		929 III	2.2L L4 F/I	33-2050-1	
B-Series	2.2L L4 CARB	E-2790	HP-1006	929 III	3.0L V6 F/I	33-2117	HP-1004
B-Series	2.2L L4 DSL	E-2536		B2200	2.2L L4 CARB	E-2790	HP-1010
B-Series	2.6L L4 F/I		HP-1010	B2600	2.6L L4 F/I	33-2117	HP-1004
B-Series	2.6L L4 F/I - 122BHP	33-2117	HP-1010	B-Series	2.0L L4 CARB	E-2790	
Miata	1.6L L4 F/I	33-2034 ♦	HP-1008	B-Series	2.2L L4 DSL	E-2536	
MPV	2.6L L4 F/I		HP-1010	B-Series	2.6L L4 F/I	E-2810	HP-1004
MPV	3.0L V6 F/I	33-2117	HP-1010	MX-6	2.2L L4 F/I	33-2026	HP-1010
MX-3	1.6L L4 F/I	33-2083 ♦		RX-7	1.3L R2 F/I	33-2017	HP-1004
MX-5 I	1.6L L4 F/I	33-2034		RX-7 II	1.3L R2 F/I	33-2017 ♦	HP-1004
MX-6	2.2L L4 F/I	33-2026	HP-1006	<b>1988 MAZDA</b>			
Navajo	4.0L V6 F/I	33-2024	HP-3001	323	1.6L L4 F/I	33-2027	HP-1004
Protege	1.8L L4 F/I	33-2034	HP-1004	323 II	1.3L L4 F/I	E-2980	
RX-7	1.3L R2 F/I	33-2017	HP-1004	323 III	1.3L L4 F/I	E-2830	
RX-7 II	1.3L R2 F/I	33-2017	HP-1004	323 III	1.5L L4 F/I	E-2830	
<b>1990 MAZDA</b>				323 III	1.6L L4 F/I	33-2027	HP-1004
121 II	1.3L L4 F/I	E-9181		626	2.2L L4 F/I	33-2026	HP-1010
323	1.6L L4 F/I	33-2034	HP-1008	626 III	2.0L L4 CARB	E-2790	
323	1.8L L4 F/I	33-2034		626 III	2.0L L4 F/I - 90/140BHP	33-2026	
323 III	1.6L L4 F/I	33-2027					

\*Indicates 2 filters required

♦ - Intake kit available

Applications updated daily at [knfilters.com](http://knfilters.com) ®

# AIR & OIL FILTERS

# MAZDA

Vehicle	Engine Type	Air Filter	Oil Filter
<b>1988 MAZDA</b>			
626 III	2.2L L4 F/I	33-2026	HP-1010
929	3.0L V6 F/I	33-2117	HP-1004
929 III	2.0L L4 F/I	33-2050-1	
929 III	2.2L L4 F/I	33-2050-1	
929 III	3.0L V6 F/I	33-2117	HP-1004
B2200	2.2L L4 CARB	E-2790	HP-1010
B2600	2.6L L4 CARB	E-2810	HP-1005
MX-6	2.2L L4 F/I	33-2026	HP-1010
RX-7	1.3L R2 F/I	33-2017	HP-1004
		33-2017 ♦	HP-1004
RX-7 II	1.3L R2 F/I	33-2017 ♦	HP-1004

Vehicle	Engine Type	Air Filter	Oil Filter
<b>1987 MAZDA</b>			
323	1.6L L4 F/I	33-2027	HP-1004
323 II	1.3L L4 F/I	E-2980	
323 III	1.3L L4 F/I - from 5/87	E-2830	
323 III	1.3L L4 F/I - to 4/87	E-2980	
323 III	1.5L L4 F/I - from 5/87	E-2830	
323 III	1.5L L4 F/I - to 4/87	E-2980	
323 III	1.6L L4 F/I	33-2027	HP-1004
626	2.0L L4 F/I		HP-1010
626	2.0L L4 F/I - exc. Turbo	E-2790	HP-1010
626	2.0L L4 F/I - Turbo	33-2026	HP-1010
626 II	2.0L L4 CARB	E-2790	
626 II	2.0L L4 F/I	33-2050-1	HP-1010
626 III	2.0L L4 CARB	E-2790	
626 III	2.0L L4 F/I - 90/140BHP	33-2026	
B2000	2.0L L4 CARB	E-2790	HP-1010
B2200	2.2L L4 CARB	E-2790	HP-1010
B2600	2.6L L4 CARB	E-2810	HP-1005
RX-7	1.3L R2 F/I	33-2017	HP-1004
		33-2017 ♦	HP-1004
RX-7 II	1.3L R2 F/I	33-2017 ♦	HP-1004

Vehicle	Engine Type	Air Filter	Oil Filter
<b>1986 MAZDA</b>			
323	1.6L L4 F/I	33-2027	HP-1004
323 II	1.3L L4 F/I	E-2980	
323 II	1.5L L4 F/I	E-2980	
323 III	1.3L L4 F/I	E-2980	
323 III	1.5L L4 F/I	E-2980	
323 III	1.6L L4 F/I	33-2027	HP-1004
626	2.0L L4 F/I	33-2050-1	HP-1010
626 II	2.0L L4 CARB	E-2790	
626 II	2.0L L4 F/I	33-2050-1	HP-1010
B2000	2.0L L4 CARB	E-2790	HP-1010
B-Series	2.0L L4 CARB	E-2790	HP-1010
RX-7	1.3L R2 F/I	33-2017	HP-1004
		33-2017 ♦	HP-1004
RX-7 I	1.1L R2 CARB	E-2700	
RX-7 II	1.3L R2 F/I	33-2017 ♦	HP-1004

Vehicle	Engine Type	Air Filter	Oil Filter
<b>1985 MAZDA</b>			
323 II	1.3L L4 F/I	E-2980	
323 II	1.5L L4 F/I	E-2980	
323 III	1.1L L4 F/I	E-2980	
323 III	1.3L L4 F/I	E-2980	
323 III	1.5L L4 F/I	E-2980	
323 III	1.6L L4 F/I	33-2027	
626	2.0L L4 CARB	E-2790	HP-1010
626 II	2.0L L4 CARB	E-2790	
929 I	2.0L L4 F/I	E-2790	
929 II	2.0L L4 F/I	E-2790	
RX-7	1.1L R2 CARB	E-2700	HP-1004
RX-7	1.3L R2 F/I	33-2016	HP-1004
RX-7 I	1.1L R2 CARB	E-2700	HP-1004

Vehicle	Engine Type	Air Filter	Oil Filter
<b>1985 MAZDA</b>			
RX-7 II	1.3L R2 F/I	33-2017 ♦	HP-1004
<b>1984 MAZDA</b>			
626	2.0L L4 CARB	E-2790	HP-1010
626 II	2.0L L4 CARB	E-2790	
B2000	2.0L L4 CARB	E-2790	
B2200	2.2L L4 DSL	E-2536	HP-2007
GLC	1.5L L4 CARB	E-2980	HP-1004
RX-7	1.1L R2 CARB	E-2700	HP-1004
RX-7	1.3L R2 F/I	33-2016	HP-1004
RX-7 I	1.1L R2 CARB	E-2700	

Vehicle	Engine Type	Air Filter	Oil Filter
<b>1983 MAZDA</b>			
323 II	1.3L L4 F/I	E-2980	
626	2.0L L4 CARB	E-2790	HP-1010
626 II	2.0L L4 CARB	E-2790	
RX-7	1.1L R2 CARB	E-2700	HP-1004
RX-7 I	1.1L R2 CARB	E-2700	

Vehicle	Engine Type	Air Filter	Oil Filter
<b>1982 MAZDA</b>			
323 II	1.3L L4 F/I	E-2980	
626 I	2.0L L4 CARB	E-2790	
929 II	2.0L L4 F/I	E-2790	
GLC	1.5L L4 CARB		HP-1004
RX-7	1.1L R2 CARB	E-2700	HP-1004
RX-7 I	1.1L R2 CARB	E-2700	

Vehicle	Engine Type	Air Filter	Oil Filter
<b>1981 MAZDA</b>			
RX-7	1.1L R2 CARB	E-2700	HP-1004
RX-7 I	1.1L R2 CARB	E-2700	

Vehicle	Engine Type	Air Filter	Oil Filter
<b>1980 MAZDA</b>			
RX-7	1.1L R2 CARB	E-2700	HP-1004
RX-7 I	1.1L R2 CARB	E-2700	

Vehicle	Engine Type	Air Filter	Oil Filter
<b>1979 MAZDA</b>			
RX-7	1.1L R2 CARB	E-2700	
RX-7 I	1.1L R2 CARB	E-2700	

Vehicle	Engine Type	Air Filter	Oil Filter
<b>1974 MAZDA</b>			
RX-2	1.1L R2 CARB	E-2680	
RX-4	1.3L R2 CARB	E-2680	

Year	Model	Engine Type	Air Filter	Oil Filter
<b>2009 MBK</b>				
125	Citycruiser	125		KN-141
125	Skycruiser	125		KN-141

Year	Model	Engine Type	Air Filter	Oil Filter
<b>2008 MBK</b>				
125	Citycruiser	125		KN-141
125	Skycruiser	125		KN-141

Year	Model	Engine Type	Air Filter	Oil Filter
<b>2007 MBK</b>				
125	Citycruiser	125		KN-141
125	Skycruiser	125		KN-141

Year	Model	Engine Type	Air Filter	Oil Filter
<b>2006 MBK</b>				
125	Skycruiser	125		KN-141

Year	Model	Engine Type	Air Filter	Oil Filter
<b>2003 MBK</b>				
125	XC Flame	125		KN-143

Year	Model	Engine Type	Air Filter	Oil Filter
<b>2002 MBK</b>				
125	XC Flame	125		KN-143

Year	Model	Engine Type	Air Filter	Oil Filter
<b>2001 MBK</b>				
125	XC Flame	125		KN-143

Year	Model	Engine Type	Air Filter	Oil Filter
<b>2000 MBK</b>				
125	XC Flame	125		KN-143

Year	Model	Engine Type	Air Filter	Oil Filter
<b>1998 MBK</b>				
125	XC K Flame R	125		KN-143

\*Indicates 2 filters required      ♦ - Intake kit available      Applications updated daily at [knfilters.com](http://knfilters.com) ®

Partial Listing - Complete List of Vehicles and Applications at [knfilters.com](http://knfilters.com)

Vehicle	Engine Type	Air Filter	Oil Filter
<b>1997 MBK</b>			
125 XC K Flame R	125		KN-143
125 XC Vertex	125		KN-143

<b>2011 MERCEDES BENZ</b>			
A160	1.5L L4 F/I	33-2914	
A160	2.0L L4 DSL	33-2915	
A180	1.7L L4 F/I	33-2914	
A180	2.0L L4 DSL	33-2915	
A200	2.0L L4 DSL	33-2915	
A200	2.0L L4 F/I	33-2914	
B160	1.5L L4 F/I	33-2914	
B160	2.0L L4 F/I	33-2914	
B180	1.7L L4 F/I	33-2914	
B180	2.0L L4 DSL	33-2915	
B200	2.0L L4 DSL	33-2915	
B200	2.0L L4 F/I	33-2914	
C63 AMG	6.3L V8 F/I	33-2405*	
C180 CGi	1.8L L4 F/I	33-2965	
C180 Kompressor	1.6L L4 F/I	E-2011	
C200 CGi	1.8L L4 F/I	33-2965	
C200 Kompressor	1.8L L4 F/I	E-2011	
C250 CGi	1.8L L4 F/I	33-2965	
C300	3.0L V6 F/I	33-2181*	
C350	3.5L V6 F/I	33-2181*	
CL500	5.5L V8 F/I	33-2181*	
CL600	5.5L V12 F/I	33-2412	
CLC160 Kompressor	1.6L L4 F/I	E-2011	
CLC180 Kompressor	1.8L L4 F/I	E-2011	
CLC200	2.1L L4 DSL	E-2018	
CLC200 Kompressor	1.8L L4 F/I	E-2011	
CLC220	2.1L L4 DSL	E-2018	
CLC230	2.5L V6 F/I	33-2181*	
CLC350	3.5L V6 F/I	33-2181*	
CLS63 AMG	6.3L V8 F/I	33-2405*	
CLS550	5.5L V8 F/I	33-2181*	
E63 AMG	6.3L V8 F/I	33-2405*	
E200 CGI	1.8L L4 F/I	33-2965	
E250 CGI	1.8L L4 F/I	33-2965	
E350	3.0L V6 DSL	33-2940	
E350	3.5L V6 F/I	33-2181*	
E500	5.5L V8 F/I	33-2181*	
E550	5.5L V8 F/I	33-2181*	
G320	3.0L V6 DSL	33-2940	
G500	5.5L V8 F/I	33-2181*	
G550	5.5L V8 F/I	33-2181*	
GL350	3.0L V6 DSL	33-2940	
GL450	4.6L V8 F/I	33-2181*	
GL500	5.5L V8 F/I	33-2181*	
GL550	5.5L V8 F/I	33-2181*	
GLK300	3.0L V6 F/I	33-2181*	
GLK350	3.5L V6 F/I	33-2181*	
ML63 AMG	6.3L V8 F/I	33-2405*	
ML350	3.0L V6 DSL	33-2941	
ML350	3.5L V6 F/I	33-2181*	
ML500	5.5L V8 F/I	33-2181*	
ML550	5.5L V8 F/I	33-2181*	
R280	3.0L V6 DSL	33-2940	
R300	3.0L V6 F/I	33-2181*	
R350	3.0L V6 DSL	33-2940	
R350	3.5L V6 F/I	33-2181*	
S65 AMG	6.0L V12 F/I	33-2412	
S400 Hybrid	3.5L V6 F/I	33-2181*	
S500	5.5L V8 F/I	33-2181*	
S600	5.5L V12 F/I	33-2412	

Vehicle	Engine Type	Air Filter	Oil Filter
<b>2011 MERCEDES BENZ</b>			
SL63 AMG	6.3L V8 F/I	33-2405*	
SL65 AMG	6.0L V12 F/I	33-2412	
SL300	3.0L V6 F/I	33-2181*	
SL350	3.5L V6 F/I	33-2181*	
SL500	5.5L V8 F/I	33-2181*	
SL550	5.5L V8 F/I	33-2181*	
SL600	5.5L V12 F/I	33-2412	
SLK200 Kompressor	1.8L L4 F/I	E-2011	
SLK300	3.0L V6 F/I	33-2181*	
SLK350	3.5L V6 F/I	33-2181*	

<b>2010 MERCEDES BENZ</b>			
A160	1.5L L4 F/I	33-2914	
A160	2.0L L4 DSL	33-2915	
A180	1.7L L4 F/I	33-2914	
A180	2.0L L4 DSL	33-2915	
A200	2.0L L4 DSL	33-2915	
A200	2.0L L4 F/I	33-2914	
B160	1.5L L4 F/I	33-2914	
B160	2.0L L4 F/I	33-2914	
B180	1.7L L4 F/I	33-2914	
B180	2.0L L4 DSL	33-2915	
B200	2.0L L4 DSL	33-2915	
B200	2.0L L4 F/I	33-2914	
C63 AMG	6.3L V8 F/I	33-2405*	
C180 CGi	1.8L L4 F/I	33-2965	
C180 Kompressor	1.6L L4 F/I	E-2011	
C200 CGi	1.8L L4 F/I	33-2965	
C200 Kompressor	1.8L L4 F/I	E-2011	
C250 CGi	1.8L L4 F/I	33-2965	
C300	3.0L V6 F/I	33-2181*	HP-7004
C350	3.0L V6 DSL	33-2940	
C350	3.5L V6 F/I	33-2181*	HP-7004
CL63 AMG	6.3L V8 F/I	33-2405*	
CL65 AMG	6.0L V12 F/I	33-2412	
CL500	5.5L V8 F/I	33-2181*	
CL550	5.5L V8 F/I	33-2181*	HP-7004
CL600	5.5L V12 F/I	33-2412	
CLC160 Kompressor	1.6L L4 F/I	E-2011	
CLC180 Kompressor	1.8L L4 F/I	E-2011	
CLC200	2.1L L4 DSL	E-2018	
CLC200 Kompressor	1.8L L4 F/I	E-2011	
CLC220	2.1L L4 DSL	E-2018	
CLC230	2.5L V6 F/I	33-2181*	
CLC350	3.5L V6 F/I	33-2181*	
CLK63 AMG	6.3L V8 F/I	33-2405*	
CLK550	5.5L V8 F/I	33-2181*	
CLS63 AMG	6.3L V8 F/I	33-2405*	
CLS550	5.5L V8 F/I	33-2181*	HP-7004
E63 AMG	6.3L V8 F/I	33-2405*	
E200 CGI	1.8L L4 F/I	33-2965	
E250 CGI	1.8L L4 F/I	33-2965	
E320	3.0L V6 DSL	33-2940	
E350	3.0L V6 DSL	33-2940	
E350	3.5L V6 F/I	33-2181*	HP-7004
E500	5.5L V8 F/I	33-2181*	
E550	5.5L V8 F/I	33-2181*	HP-7004
G55 AMG	5.5L V8 F/I	33-2181*	HP-7004
G320	3.0L V6 DSL	33-2940	
G350	3.0L V6 DSL	33-2940	
G500	5.5L V8 F/I	33-2181*	
G550	5.5L V8 F/I	33-2181*	HP-7004
GL320	3.0L V6 DSL	33-2940	
GL350	3.0L V6 DSL	33-2940	

\*Indicates 2 filters required    ♦ - Intake kit available    Applications updated daily at [knfilters.com](http://knfilters.com) ®



# AIR & OIL FILTERS

# MERCEDES BENZ

Vehicle	Engine Type	Air Filter	Oil Filter	Vehicle	Engine Type	Air Filter	Oil Filter
<b>2010 MERCEDES BENZ</b>				<b>2009 MERCEDES BENZ</b>			
GL450	4.6L V8 F/I	33-2181*	HP-7004	C180 Kompressor	1.8L L4 F/I	E-2011	
GL500	5.5L V8 F/I	33-2181*		C200 CGi	1.8L L4 F/I	33-2965	
GL550	5.5L V8 F/I	33-2181*	HP-7004	C200 Kompressor	1.8L L4 F/I	E-2011	
GLK280	3.0L V6 F/I	33-2181*		C250 CGi	1.8L L4 F/I	33-2965	
GLK300	3.0L V6 F/I	33-2181*		C280	3.0L V6 DSL	33-2940	
GLK350	3.0L V6 DSL	33-2940		C300	3.0L V6 F/I	33-2181*	HP-7004
GLK350	3.5L V6 F/I	33-2181*	HP-7004	C320	3.0L V6 DSL	33-2940	
ML63 AMG	6.3L V8 F/I	33-2405*		C350	3.0L V6 DSL	33-2940	
ML300	3.0L V6 DSL	33-2940		C350	3.5L V6 F/I	33-2181*	HP-7004
ML300	3.5L V6 F/I	33-2181*		CL63 AMG	6.3L V8 F/I	33-2405*	
ML320	3.0L V6 DSL	33-2940		CL65 AMG	6.0L V12 F/I	33-2412	
ML350	3.0L V6 DSL	33-2940		CL500	5.5L V8 F/I	33-2181*	
ML350	3.5L V6 F/I	33-2181*	HP-7004	CL550	5.5L V8 F/I	33-2181*	HP-7004
ML450	3.5L V6 F/I		HP-7004	CL600	5.5L V12 F/I	33-2412	
ML500	5.5L V8 F/I	33-2181*		CLC160 Kompressor	1.6L L4 F/I	E-2011	
ML550	5.5L V8 F/I	33-2181*	HP-7004	CLC180 Kompressor	1.8L L4 F/I	E-2011	
R63 AMG	6.3L V8 F/I	33-2405*		CLC200	2.1L L4 DSL	E-2018	
R280	3.0L V6 DSL	33-2940		CLC200 Kompressor	1.8L L4 F/I	E-2011	
R300	3.0L V6 DSL	33-2940		CLC220	2.1L L4 DSL	E-2018	
R300	3.0L V6 F/I	33-2181*		CLC230	2.5L V6 F/I	33-2181*	
R320	3.0L V6 DSL	33-2940		CLC350	3.5L V6 F/I	33-2181*	
R350	3.0L V6 DSL	33-2940		CLK220	2.1L L4 DSL	E-2018	
R350	3.5L V6 F/I	33-2181*	HP-7004	CLK320	3.0L V6 DSL	33-2940	
R500	5.0L V8 F/I	33-2181*		CLK350	3.5L V6 F/I	33-2181*	HP-7004
S63 AMG	6.2L V8 F/I	33-2405*		CLK550	5.5L V8 F/I	33-2181*	HP-7004
S65 AMG	6.0L V12 F/I	33-2412		CLS63 AMG	6.3L V8 F/I	33-2405*	
S350	3.0L V6 DSL	33-2940		CLS550	5.5L V8 F/I	33-2181*	HP-7004
S350	3.5L V6 F/I	33-2181*		E63 AMG	6.3L V8 F/I	33-2405*	
S400 Hybrid	3.5L V6 F/I	33-2181*	HP-7004	E200 CGI	1.8L L4 F/I	33-2965	
S450	4.7L V8 F/I	33-2181*		E250 CGI	1.8L L4 F/I	33-2965	
S500	5.5L V8 F/I	33-2181*		E320	3.0L V6 DSL	33-2940	
S550	5.5L V8 F/I	33-2181*	HP-7004	E350	3.0L V6 DSL	33-2940	
S600	5.5L V12 F/I	33-2412		E350	3.5L V6 F/I	33-2181*	HP-7004
SL63 AMG	6.3L V8 F/I	33-2405*		E500	5.5L V8 F/I	33-2181*	
SL65 AMG	6.0L V12 F/I	33-2412		E550	5.5L V8 F/I	33-2181*	HP-7004
SL300	3.0L V6 F/I	33-2181*		G55 AMG	5.5L V8 F/I	33-2181*	HP-7004
SL350	3.5L V6 F/I	33-2181*		G320	3.0L V6 DSL	33-2940	
SL500	5.5L V8 F/I	33-2181*		G350	3.0L V6 DSL	33-2940	
SL600	5.5L V12 F/I	33-2412		G500	5.5L V8 F/I	33-2181*	
SLK55 AMG	5.5L V8 F/I	33-2181*		GL320	3.0L V6 DSL	33-2940	
SLK200 Kompressor	1.8L L4 F/I	E-2011		GL350	3.0L V6 DSL	33-2940	
SLK300	3.0L V6 F/I	33-2181*	HP-7004	GL450	4.6L V8 F/I	33-2181*	HP-7004
SLK350	3.5L V6 F/I	33-2181*	HP-7004	GL500	5.5L V8 F/I	33-2181*	
SLR McLaren	5.4L V8 F/I	33-2703*		GL550	5.5L V8 F/I	33-2181*	HP-7004
<b>2009 MERCEDES BENZ</b>				GLK280	3.0L V6 F/I	33-2181*	
A150	1.5L L4 F/I	33-2914		GLK300	3.0L V6 F/I	33-2181*	
A160	1.5L L4 F/I	33-2914		GLK320	3.0L V6 DSL	33-2940	
A160	2.0L L4 DSL	33-2915		GLK350	3.0L V6 DSL	33-2940	
A170	1.7L L4 F/I	33-2914		GLK350	3.5L V6 F/I	33-2181*	
A180	1.7L L4 F/I	33-2914		ML63 AMG	6.3L V8 F/I	33-2405*	
A180	2.0L L4 DSL	33-2915		ML280	3.0L V6 DSL	33-2940	
A200	2.0L L4 DSL	33-2915		ML300	3.0L V6 DSL	33-2940	
A200	2.0L L4 F/I	33-2914		ML300	3.5L V6 F/I	33-2181*	
B160	1.5L L4 F/I	33-2914		ML320	3.0L V6 DSL	33-2940	
B160	2.0L L4 F/I	33-2914		ML350	3.0L V6 DSL	33-2940	
B180	1.7L L4 F/I	33-2914		ML350	3.5L V6 F/I	33-2181*	HP-7004
B180	2.0L L4 DSL	33-2915		ML500	5.5L V8 F/I	33-2181*	
B200	2.0L L4 DSL	33-2915		ML550	5.5L V8 F/I	33-2181*	HP-7004
B200	2.0L L4 F/I	33-2914		R280	3.0L V6 DSL	33-2940	
C63 AMG	6.3L V8 F/I	33-2405*		R280	3.0L V6 F/I	33-2181*	
C180	1.6L L4 F/I	E-2011		R300	3.0L V6 DSL	33-2940	
C180 CGi	1.8L L4 F/I	33-2965		R300	3.0L V6 F/I	33-2181*	
C180 Kompressor	1.6L L4 F/I	E-2011		R320	3.0L V6 DSL	33-2940	
				R350	3.0L V6 DSL	33-2940	

\*Indicates 2 filters required

◆ - Intake kit available

Applications updated daily at [knfilters.com](http://knfilters.com) ®

Partial Listing - Complete List of Vehicles and Applications at [knfilters.com](http://knfilters.com)

# MERCEDES BENZ

# AIR & OIL FILTERS

Vehicle	Engine Type	Air Filter	Oil Filter	Vehicle	Engine Type	Air Filter	Oil Filter
<b>2009 MERCEDES BENZ</b>				<b>2008 MERCEDES BENZ</b>			
R350	3.5L V6 F/I	33-2181*	HP-7004	CL600	5.5L V12 F/I	33-2412	
S63 AMG	6.2L V8 F/I	33-2405*		CLC160 Kompressor	1.6L L4 F/I	E-2011	
S65 AMG	6.0L V12 F/I	33-2412		CLC180 Kompressor	1.8L L4 F/I	E-2011	
S320	3.0L V6 DSL	33-2940		CLC200	2.1L L4 DSL	E-2018	
S350	3.0L V6 DSL	33-2940		CLC200 Kompressor	1.8L L4 F/I	E-2011	
S350	3.5L V6 F/I	33-2181*		CLC220	2.1L L4 DSL	E-2018	
S400 Hybrid	3.5L V6 F/I	33-2181*		CLC230	2.5L V6 F/I	33-2181*	
S450	4.7L V8 F/I	33-2181*		CLC350	3.5L V6 F/I	33-2181*	
S500	5.5L V8 F/I	33-2181*		CLK63 AMG	6.3L V8 F/I	33-2405*	
S550	5.5L V8 F/I	33-2181*	HP-7004	CLK200 Kompressor	1.8L L4 F/I	E-2011	
S600	5.5L V12 F/I	33-2412		CLK220	2.1L L4 DSL	E-2018	
SL63 AMG	6.3L V8 F/I	33-2405*		CLK320	3.0L V6 DSL	33-2940	
SL65 AMG	6.0L V12 F/I	33-2412		CLK350	3.5L V6 F/I	33-2181*	HP-7004
SL280	3.0L V6 F/I	33-2181*		CLK500	5.0L V8 F/I	33-2181*	HP-7004
SL300	3.0L V6 F/I	33-2181*		CLK500	5.5L V8 F/I	33-2181*	HP-7004
SL350	3.5L V6 F/I	33-2181*		CLK550	5.5L V8 F/I	33-2181*	HP-7004
SL500	5.5L V8 F/I	33-2181*		CLS55 AMG	5.5L V8 F/I	33-2181*	HP-7004
SL550	5.5L V8 F/I	33-2181*	HP-7004	CLS63 AMG	6.3L V8 F/I	33-2405*	
SL600	5.5L V12 F/I	33-2412		CLS280	3.0L V6 F/I	33-2181*	
SLK55 AMG	5.5L V8 F/I	33-2181*		CLS320	3.0L V6 DSL	33-2940	
SLK200 Kompressor	1.8L L4 F/I	E-2011		CLS350	3.5L V6 F/I	33-2181*	
SLK280	3.0L V6 F/I	33-2181*		CLS500	5.0L V8 F/I	33-2181*	HP-7004
SLK300	3.0L V6 F/I	33-2181*	HP-7004	CLS500	5.5L V8 F/I	33-2181*	HP-7004
SLK350	3.5L V6 F/I	33-2181*	HP-7004	CLS550	5.5L V8 F/I	33-2181*	HP-7004
SLR	5.4L V8 F/I	33-2703*		E63 AMG	6.3L V8 F/I	33-2405*	
Sprinter 2500	3.5L V6 F/I		HP-7004	E280	3.0L V6 DSL	33-2940	
Sprinter 3500	3.5L V6 F/I		HP-7004	E320	3.0L V6 DSL	33-2940	
Viano	2.2L L4 DSL	33-2766		E350	3.5L V6 F/I	33-2181*	HP-7004
Viano	3.0L V6 F/I	33-2766		E550	5.5L V8 F/I	33-2181*	HP-7004
Viano	3.5L V6 F/I	33-2766		G55 AMG	5.5L V8 F/I	33-2181*	HP-7004
Vito	2.0L L4 DSL	33-2766		G320	3.0L V6 DSL	33-2940	
Vito	2.2L L4 DSL	33-2766		G500	5.0L V8 F/I	33-2181*	HP-7004
Vito	3.0L V6 F/I	33-2766		GL320	3.0L V6 DSL	33-2940	
Vito	3.5L V6 F/I	33-2766		GL450	4.6L V8 F/I	33-2181*	HP-7004
<b>2008 MERCEDES BENZ</b>				GL500	5.5L V8 F/I	33-2181*	
A150	1.5L L4 F/I	33-2914		GL550	5.5L V8 F/I	33-2181*	HP-7004
A160	2.0L L4 DSL	33-2915		GLK280	3.0L V6 F/I	33-2181*	
A170	1.7L L4 F/I	33-2914		GLK320	3.0L V6 DSL	33-2940	
A180	2.0L L4 DSL	33-2915		GLK350	3.5L V6 F/I	33-2181*	
A200	2.0L L4 DSL	33-2915		ML63 AMG	6.3L V8 F/I	33-2405*	
A200	2.0L L4 F/I	33-2914		ML280	3.0L V6 DSL	33-2940	
B150	1.5L L4 F/I	33-2914		ML320	3.0L V6 DSL	33-2940	
B170	1.7L L4 F/I	33-2914		ML350	3.5L V6 F/I	33-2181*	HP-7004
B180	2.0L L4 DSL	33-2915		ML500	5.0L V8 F/I	33-2181*	HP-7004
B200	2.0L L4 DSL	33-2915		ML550	5.5L V8 F/I	33-2181*	HP-7004
B200	2.0L L4 F/I	33-2914		R63 AMG	6.3L V8 F/I	33-2405*	
C63 AMG	6.3L V8 F/I	33-2405*		R280	3.0L V6 DSL	33-2940	
C180	1.6L L4 F/I	E-2011		R280	3.0L V6 F/I	33-2181*	
C180 Kompressor	1.8L L4 F/I	E-2011		R320	3.0L V6 DSL	33-2940	
C200	2.1L L4 DSL	E-2018		R350	3.5L V6 F/I	33-2181*	HP-7004
C200 CGi	1.8L L4 F/I	E-2011		R500	5.0L V8 F/I	33-2181*	
C200 Kompressor	1.8L L4 F/I	E-2011		S63 AMG	6.2L V8 F/I	33-2405*	
C220	2.2L L4 DSL	E-2018		S63 AMG	6.3L V8 F/I	33-2405*	
C230	2.5L V6 F/I	33-2181*	HP-7004	S65 AMG	6.0L V12 F/I	33-2412	
C280	3.0L V6 DSL	33-2940		S320	3.0L V6 DSL	33-2940	
C280	3.0L V6 F/I	33-2181*		S350	3.5L V6 F/I	33-2181*	
C300	3.0L V6 F/I	33-2181*	HP-7004	S450	4.7L V8 F/I	33-2181*	
C320	3.0L V6 DSL	33-2940		S500	5.5L V8 F/I	33-2181*	
C350	3.5L V6 F/I	33-2181*	HP-7004	S550	5.5L V8 F/I	33-2181*	HP-7004
CL63 AMG	6.3L V8 F/I	33-2405*		S600	5.5L V12 F/I	33-2412	
CL65 AMG	6.0L V12 F/I	33-2412		SL55 AMG	5.5L V8 F/I	33-2181*	HP-7004
CL500	5.5L V8 F/I	33-2181*	HP-7004	SL63 AMG	6.3L V8 F/I	33-2405*	
CL550	5.5L V8 F/I	33-2181*	HP-7004	SL65 AMG	6.0L V12 F/I	33-2412	
				SL280	3.0L V6 F/I	33-2181*	

\*Indicates 2 filters required

◆ - Intake kit available

Applications updated daily at [knfilters.com](http://knfilters.com) ®

# AIR & OIL FILTERS

# MERCEDES BENZ

Vehicle	Engine Type	Air Filter	Oil Filter	Vehicle	Engine Type	Air Filter	Oil Filter
<b>2008 MERCEDES BENZ</b>				<b>2007 MERCEDES BENZ</b>			
SL350	3.5L L6 F/I	33-2181*		CLS63 AMG	6.3L V8 F/I	33-2405*	
SL350	3.7L L6 F/I	33-2181*		CLS320	3.0L V6 DSL	33-2940	
SL500	5.0L V8 F/I	33-2181*	HP-7004	CLS350	3.5L V6 F/I	33-2181*	
SL500	5.5L V8 F/I	33-2181*	HP-7004	CLS500	5.0L V8 F/I	33-2181*	HP-7004
SL550	5.5L V8 F/I	33-2181*	HP-7004	CLS500	5.5L V8 F/I	33-2181*	HP-7004
SL600	5.5L V12 F/I	33-2412		CLS550	5.5L V8 F/I	33-2181*	HP-7004
SLK55 AMG	5.5L V8 F/I	33-2181*		E63 AMG	6.3L V8 F/I	33-2405*	
SLK200 Kompressor	1.8L L4 F/I	E-2011		E280	3.0L V6 DSL	33-2940	
SLK280	3.0L V6 F/I	33-2181*	HP-7004	E320	3.0L V6 DSL	33-2940	
SLK350	3.5L V6 F/I	33-2181*	HP-7004	E350	3.5L V6 F/I	33-2181*	HP-7004
SLR	5.4L V8 F/I	33-2703*		E550	5.5L V8 F/I	33-2181*	HP-7004
Sprinter	2.1L L4 DSL	33-2391		G55 AMG	5.5L V8 F/I	33-2181*	HP-7004
Sprinter	3.0L V6 DSL	33-2391		G320	3.0L V6 DSL	33-2940	
Sprinter	3.5L V6 F/I	33-2391		G500	5.0L V8 F/I	33-2181*	HP-7004
Viano	2.0L L4 DSL	33-2766		GL320	3.0L V6 DSL	33-2940	
Viano	2.2L L4 DSL	33-2766		GL450	4.6L V8 F/I	33-2181*	HP-7004
Viano	3.0L V6 F/I	33-2912	HP-7004	GL500	5.5L V8 F/I	33-2181*	
Viano	3.2L V6 F/I	33-2912		ML63 AMG	6.3L V8 F/I	33-2405*	
Viano	3.5L V6 F/I	33-2912		ML280	3.0L V6 DSL	33-2940	
Vito	2.0L L4 DSL	33-2766		ML320	3.0L V6 DSL	33-2940	
Vito	2.2L L4 DSL	33-2766		ML350	3.5L V6 F/I	33-2181*	HP-7004
Vito	3.0L V6 F/I	33-2912	HP-7004	ML500	5.0L V8 F/I	33-2181*	HP-7004
Vito	3.2L V6 F/I	33-2912		R63 AMG	6.3L V8 F/I	33-2405*	
Vito	3.5L V6 F/I	33-2912		R280	3.0L V6 DSL	33-2940	
<b>2007 MERCEDES BENZ</b>				R280	3.0L V6 F/I	33-2181*	
A150	1.5L L4 F/I	33-2914		R320	3.0L V6 DSL	33-2940	
A160	2.0L L4 DSL	33-2915		R350	3.5L V6 F/I	33-2181*	HP-7004
A170	1.7L L4 F/I	33-2914		R500	5.0L V8 F/I	33-2181*	HP-7004
A180	2.0L L4 DSL	33-2915		S63 AMG	6.2L V8 F/I	33-2405*	
A200	2.0L L4 DSL	33-2915		S65 AMG	6.0L V12 F/I	33-2412	
A200	2.0L L4 F/I	33-2914		S320	3.0L V6 DSL	33-2940	
B150	1.5L L4 F/I	33-2914		S350	3.5L V6 F/I	33-2181*	
B170	1.7L L4 F/I	33-2914		S450	4.7L V8 F/I	33-2181*	
B180	2.0L L4 DSL	33-2915		S500	5.5L V8 F/I	33-2181*	
B200	2.0L L4 DSL	33-2915		S550	5.5L V8 F/I	33-2181*	HP-7004
B200	2.0L L4 F/I	33-2914		S600	5.5L V12 F/I	33-2412	
C63 AMG	6.3L V8 F/I	33-2405*		SL55 AMG	5.5L V8 F/I	33-2181*	HP-7004
C160 Kompressor	1.8L L4 F/I	E-2011		SL65 AMG	6.0L V12 F/I	33-2412	
C180 Kompressor	1.8L L4 F/I	E-2011		SL350	3.5L L6 F/I	33-2181*	
C200	2.1L L4 DSL	E-2018		SL350	3.7L L6 F/I	33-2181*	
C200 CGi	1.8L L4 F/I	E-2011		SL500	5.0L V8 F/I	33-2181*	HP-7004
C200 Kompressor	1.8L L4 F/I	E-2011		SL500	5.5L V8 F/I	33-2181*	HP-7004
C220	2.2L L4 DSL	E-2018		SL550	5.5L V8 F/I	33-2181*	HP-7004
C230	2.5L V6 F/I	33-2181*	HP-7004	SL600	5.5L V12 F/I	33-2412	
C280	3.0L V6 DSL	33-2940		SLK55 AMG	5.5L V8 F/I	33-2181*	
C280	3.0L V6 F/I	33-2181*	HP-7004	SLK200 Kompressor	1.8L L4 F/I	E-2011	
C320	3.0L V6 DSL	33-2940		SLK280	3.0L V6 F/I	33-2181*	HP-7004
C350	3.5L V6 F/I	33-2181*	HP-7004	SLK350	3.5L V6 F/I	33-2181*	HP-7004
CL63 AMG	6.3L V8 F/I	33-2405*		SLR	5.4L V8 F/I	33-2703*	
CL65 AMG	6.0L V12 F/I	33-2412		Sprinter	2.1L L4 DSL	33-2391	
CL500	5.5L V8 F/I	33-2181*	HP-7004	Sprinter	3.0L V6 DSL	33-2391	
CL550	5.5L V8 F/I	33-2181*		Sprinter	3.5L V6 F/I	33-2391	
CL600	5.5L V12 F/I	33-2412		Viano	2.0L L4 DSL	33-2766	
CLK63 AMG	6.3L V8 F/I	33-2405*		Viano	2.2L L4 DSL	33-2912	
CLK200 Kompressor	1.8L L4 F/I	E-2011		Viano	3.0L V6 F/I	33-2912	HP-7004
CLK220	2.1L L4 DSL	E-2018		Viano	3.2L V6 F/I	33-2912	HP-7004
CLK280	3.0L V6 F/I	33-2181*		Viano	3.5L V6 F/I	33-2912	
CLK320	3.0L V6 DSL	33-2940		Viano	3.7L V6 F/I	33-2912	HP-7004
CLK350	3.5L V6 F/I	33-2181*	HP-7004	Vito	2.2L L4 DSL	33-2912	
CLK500	5.0L V8 F/I	33-2181*	HP-7004	Vito	3.0L V6 F/I	33-2912	HP-7004
CLK500	5.5L V8 F/I	33-2181*	HP-7004	Vito	3.2L V6 F/I	33-2912	HP-7004
CLK550	5.5L V8 F/I	HP-7004		Vito	3.5L V6 F/I	33-2912	
CLS55 AMG	5.5L V8 F/I	33-2181*	HP-7004	Vito	3.7L V6 F/I	33-2912	HP-7004

\*Indicates 2 filters required

◆ - Intake kit available

Applications updated daily at [knfilters.com](http://knfilters.com) ®

Partial Listing - Complete List of Vehicles and Applications at [knfilters.com](http://knfilters.com)

# MERCEDES BENZ

# AIR & OIL FILTERS

Vehicle	Engine Type	Air Filter	Oil Filter	Vehicle	Engine Type	Air Filter	Oil Filter
<b>2006 MERCEDES BENZ</b>				<b>2006 MERCEDES BENZ</b>			
A150	1.5L L4 F/I	33-2914		G270	2.7L L5 DSL	33-2158	
A160	2.0L L4 DSL	33-2915		G320	3.0L V6 DSL	33-2940	
A170	1.7L L4 F/I	33-2914		G320	3.2L V6 F/I	33-2181*	
A180	2.0L L4 DSL	33-2915		G400	4.0L V8 DSL	33-2205*	
A200	2.0L L4 DSL	33-2915		G500	5.0L V8 F/I	33-2181*	HP-7004
A200	2.0L L4 F/I	33-2914		GL320	3.0L V6 DSL	33-2940	
B150	1.5L L4 F/I	33-2914		GL450	4.6L V8 F/I	33-2181*	HP-7004
B170	1.7L L4 F/I	33-2914		GL500	5.5L V8 F/I	33-2181*	
B180	2.0L L4 DSL	33-2915		ML63 AMG	6.3L V8 F/I	33-2405*	
B200	2.0L L4 DSL	33-2915		ML280	3.0L V6 DSL	33-2940	
B200	2.0L L4 F/I	33-2914		ML320	3.0L V6 DSL	33-2940	
C55 AMG	5.5L V8 F/I	33-2181*	HP-7004	ML350	3.5L V6 F/I	33-2181*	HP-7004
C160 Kompressor	1.8L L4 F/I	E-2011		ML500	5.0L V8 F/I	33-2181*	HP-7004
C180 Kompressor	1.8L L4 F/I	E-2011		R63 AMG	6.3L V8 F/I	33-2405*	
C200	2.1L L4 DSL	E-2018		R280	3.0L V6 DSL	33-2940	
C200 CGI	1.8L L4 F/I	E-2011		R320	3.0L V6 DSL	33-2940	
C200 Kompressor	1.8L L4 F/I	E-2011		R350	3.5L V6 F/I	33-2181*	HP-7004
C220	2.2L L4 DSL	E-2018		R500	5.0L V8 F/I	33-2181*	HP-7004
C230	2.5L V6 F/I	33-2181*	HP-7004	S55 AMG	5.5L V8 F/I		HP-7008
C280	3.0L V6 DSL	33-2940		S63 AMG	6.2L V8 F/I	33-2405*	
C280	3.0L V6 F/I	33-2181*	HP-7004	S65 AMG	6.0L V12 F/I	33-2412	
C320	3.0L V6 DSL	33-2940		S320	3.0L V6 DSL	33-2940	
C350	3.5L V6 F/I	33-2181*	HP-7004	S350	3.5L V6 F/I	33-2181*	
CL55 AMG	5.5L V8 F/I	33-2181*	HP-7004	S350	3.7L V6 F/I	33-2181*	HP-7004
CL55 AMG Kompressor	5.5L V8 F/I	33-2181*	HP-7004	S430	4.3L V8 F/I	33-2181*	HP-7008
CL63 AMG	6.3L V8 F/I	33-2217*		S450	4.7L V8 F/I	33-2181*	
CL65 AMG	6.0L V12 F/I	33-2412		S500	5.0L V8 F/I	33-2181*	HP-7008
CL500	5.0L V8 F/I	33-2181*	HP-7004	S500	5.5L V8 F/I	33-2181*	
CL500	5.5L V8 F/I	33-2181*	HP-7004	S600	5.5L V12 F/I	33-2412	
CL600	5.5L V12 F/I	33-2412		SL55 AMG	5.5L V8 F/I	33-2181*	HP-7004
CLK DTM AMG	5.5L V8 F/I		HP-7004	SL65 AMG	6.0L V12 F/I	33-2412	
CLK55 AMG	5.5L V8 F/I	33-2181*	HP-7004	SL350	3.5L L6 F/I	33-2181*	
CLK63 AMG	6.3L V8 F/I	33-2405*		SL350	3.7L L6 F/I	33-2181*	
CLK200 Kompressor	1.8L L4 F/I	E-2011		SL500	5.0L V8 F/I	33-2181*	HP-7004
CLK220	2.1L L4 DSL	E-2018		SL500	5.5L V8 F/I	33-2181*	HP-7004
CLK280	3.0L V6 F/I	33-2181*		SL600	5.5L V12 F/I	33-2412	
CLK320	3.0L V6 DSL	33-2940		SLK55 AMG	5.5L V8 F/I	33-2181*	HP-7004
CLK350	3.5L V6 F/I	33-2181*	HP-7004	SLK200 Kompressor	1.8L L4 F/I	E-2011	
CLK500	5.0L V8 F/I	33-2181*	HP-7004	SLK280	3.0L V6 F/I	33-2181*	HP-7004
CLK500	5.5L V8 F/I	33-2181*	HP-7004	SLK350	3.5L V6 F/I	33-2181*	HP-7004
CLS55 AMG	5.5L V8 F/I	33-2181*	HP-7004	SLR	5.4L V8 F/I	33-2703*	
CLS63 AMG	6.3L V8 F/I	33-2405*		Sprinter	2.1L L4 DSL	33-2391	
CLS320	3.0L V6 DSL	33-2940		Sprinter	2.3L L4 DSL	33-2764	
CLS350	3.5L V6 F/I	33-2181*		Sprinter	2.3L L4 F/I	33-2764	HP-7008
CLS500	5.0L V8 F/I	33-2181*	HP-7004	Sprinter	2.7L L5 DSL	33-2764	
CLS500	5.5L V8 F/I	33-2181*	HP-7004	Sprinter	2.9L L5 DSL	33-2764	
E55 AMG	5.5L V8 F/I	33-2181*	HP-7004	Sprinter	3.0L V6 DSL	33-2391	
E63 AMG	6.3L V8 F/I	33-2405*		Sprinter	3.5L V6 F/I	33-2391	
E200	1.8L L4 F/I	E-2011		Viano	2.2L L4 DSL	33-2912	
E200	2.1L L4 DSL	E-2992		Viano	3.0L V6 F/I	33-2912	HP-7004
E200 CGI	1.8L L4 F/I	E-2011		Viano	3.2L V6 F/I	33-2912	HP-7004
E200 Kompressor	1.8L L4 F/I	E-2011		Viano	3.5L V6 F/I	33-2912	
E220	2.2L L4 DSL	E-2992		Viano	3.7L V6 F/I	33-2912	HP-7004
E240	2.6L V6 F/I	33-2181*		Vito	2.2L L4 DSL	33-2912	
E270	2.7L L5 DSL	E-2992		Vito	3.2L V6 F/I	33-2912	HP-7004
E280	3.0L V6 DSL	33-2940		Vito	3.7L V6 F/I	33-2912	HP-7004
E320	3.0L V6 DSL	33-2940		<b>2005 MERCEDES BENZ</b>			
E320	3.2L L6 DSL		HP-7017	A150	1.5L L4 F/I	33-2914	
E320	3.2L V6 F/I	33-2181*		A160	2.0L L4 DSL	33-2915	
E350	3.5L V6 F/I	33-2181*	HP-7004	A170	1.7L L4 F/I	33-2914	
E400	4.0L V8 DSL	33-2205*		A180	2.0L L4 DSL	33-2915	
E500	5.0L V8 F/I	33-2181*	HP-7004	A200	2.0L L4 DSL	33-2915	
G55 AMG	5.5L V8 F/I	33-2181*	HP-7004	A200	2.0L L4 F/I	33-2914	

\*Indicates 2 filters required

◆ - Intake kit available

Applications updated daily at [knfilters.com](http://knfilters.com) ®

# AIR & OIL FILTERS

# MERCEDES BENZ

Vehicle	Engine Type	Air Filter	Oil Filter	Vehicle	Engine Type	Air Filter	Oil Filter
<b>2005 MERCEDES BENZ</b>				<b>2005 MERCEDES BENZ</b>			
B150	1.5L L4 F/I	33-2914		E500	5.0L V8 F/I	33-2181*	HP-7004
B170	1.7L L4 F/I	33-2914		G55 AMG	5.5L V8 F/I	33-2181*	HP-7004
B180	2.0L L4 DSL	33-2915		G270	2.7L L5 DSL	33-2158	
B200	2.0L L4 DSL	33-2915		G320	3.2L V6 F/I	33-2181*	
B200	2.0L L4 F/I	33-2914		G400	4.0L V8 DSL	33-2205*	
C32 AMG	3.2L V6 F/I	33-2256*	HP-7004	G500	5.0L V8 F/I	33-2181*	HP-7004
C55 AMG	5.5L V8 F/I	33-2181*	HP-7004	ML55 AMG	5.5L V8 F/I	33-2703	HP-7004
C160 Kompressor	1.8L L4 F/I	E-2011		ML270	2.7L V6 DSL	33-2158	
C180 Kompressor	1.8L L4 F/I	E-2011		ML280	3.0L V6 DSL	33-2940	
C200	2.1L L4 DSL - 102/116BHP	33-2158		ML320	3.0L V6 DSL	33-2940	
C200	2.1L L4 DSL - 122BHP	E-2018		ML350	3.5L V6 F/I	33-2181*	HP-7004
C200 CGI	1.8L L4 F/I	E-2011		ML350	3.7L V6 F/I	33-2703	HP-7004
C200 Kompressor	1.8L L4 F/I	E-2011		ML400	4.0L V8 F/I	33-2703	
C220	2.2L L4 DSL	E-2018		ML430	4.3L V8 F/I	33-2703	
C230	1.8L L4 F/I	E-2011		ML500	5.0L V8 F/I		HP-7004
C230	2.5L V6 F/I	33-2181*	HP-7004	ML500	5.0L V8 F/I - Non-US, from 7/05	33-2181*	HP-7004
C230 Kompressor	1.8L L4 F/I	E-2011		ML500	5.0L V8 F/I - Non-US, to 6/05	33-2703	HP-7004
C240	2.6L V6 F/I	33-2181*	HP-7004	ML500	5.0L V8 F/I - US	33-2703	HP-7004
C270	2.7L L5 DSL	33-2158		R320	3.0L V6 DSL	33-2940	
C280	3.0L V6 DSL - from 7/05	33-2940		S55 AMG	5.4L V8 F/I	33-2181*	HP-7004
C280	3.0L V6 F/I	33-2181*	HP-7004	S55 AMG	5.5L V8 F/I		HP-7004
C320	3.0L V6 DSL	33-2940		S55 AMG	5.4L V8 F/I	33-2181*	
C320	3.2L V6 F/I	33-2181*	HP-7004	Kompressor			
C350	3.5L V6 F/I	33-2181*	HP-7004	S63 AMG	6.3L V8 F/I	33-2217*	
CL55 AMG	5.5L V8 F/I	33-2181*	HP-7004	S65 AMG	6.0L V12 F/I	33-2412	
CL55 AMG Kompressor	5.5L V8 F/I	33-2181*	HP-7004	S280	2.8L V6 F/I	33-2181*	
CL63 AMG	6.3L V8 F/I	33-2217*		S320	3.0L V6 DSL	33-2940	
CL65 AMG	6.0L V12 F/I	33-2412		S320	3.2L L6 DSL	33-2158	
CL500	5.0L V8 F/I	33-2181*	HP-7004	S320	3.2L L6 F/I	33-2181*	
CL600	5.5L V12 F/I	33-2412		S350	3.5L V6 F/I	33-2181*	
CLK DTM AMG	5.5L V8 F/I	33-2181*	HP-7004	S350	3.7L V6 F/I	33-2181*	HP-7004
CLK55 AMG	5.5L V8 F/I	33-2181*	HP-7004	S400	4.0L V8 DSL	33-2205*	
CLK200 CGI	1.8L L4 F/I	E-2011		S430	4.3L V8 F/I	33-2181*	HP-7004
CLK200 Kompressor	1.8L L4 F/I	E-2011		S450	4.7L V8 F/I	33-2181*	
CLK220	2.1L L4 DSL	E-2018		S500	5.0L V8 F/I	33-2181*	HP-7004
CLK240	2.6L V6 F/I	33-2181*	HP-7004	S500	5.5L V8 F/I	33-2181*	
CLK270	2.7L L5 DSL	33-2856		S600	5.5L V12 F/I	33-2412	
CLK280	3.0L V6 F/I	33-2181*		SL55 AMG	5.5L V8 F/I	33-2181*	HP-7004
CLK320	3.0L V6 DSL	33-2940		SL65 AMG	6.0L V12 F/I	33-2412	
CLK320	3.2L V6 F/I	33-2181*	HP-7004	SL350	3.7L L6 F/I	33-2181*	
CLK350	3.5L V6 F/I	33-2181*	HP-7004	SL500	5.0L V8 F/I	33-2181*	HP-7004
CLK500	5.0L V8 F/I	33-2181*	HP-7004	SL600	5.5L V12 F/I	33-2412	
CLS55 AMG	5.5L V8 F/I	33-2181*	HP-7004	SLK55 AMG	5.5L V8 F/I	33-2181*	HP-7004
CLS320	3.0L V6 DSL	33-2940		SLK200 Kompressor	1.8L L4 F/I	E-2011	
CLS350	3.5L V6 F/I	33-2181*		SLK280	3.0L V6 F/I	33-2181*	HP-7004
CLS500	5.0L V8 F/I	33-2181*	HP-7004	SLK350	3.5L V6 F/I	33-2181*	HP-7004
E55 AMG	5.5L V8 F/I	33-2181*	HP-7004	SLR	5.4L V8 F/I	33-2703*	
E200	1.8L L4 F/I	E-2011		Sprinter	2.3L L4 DSL	33-2764	
E200	2.1L L4 DSL	E-2992		Sprinter	2.3L L4 F/I	33-2764	HP-7008
E200 CGI	1.8L L4 F/I	E-2011		Sprinter	2.7L L5 DSL	33-2764	
E200 Kompressor	1.8L L4 F/I	E-2011		Sprinter	2.9L L5 DSL	33-2764	
E220	2.2L L4 DSL	E-2992		Vaneo	1.6L L4 F/I	E-9242	
E240	2.6L V6 F/I	33-2181*		Vaneo	1.7L L4 DSL	E-9260	
E270	2.7L L5 DSL	E-2992		Viano	2.2L L4 DSL	33-2912	
E280	3.0L V6 DSL - from 5/05	33-2940		Viano	3.0L V6 F/I	33-2912	
E280	3.2L V6 DSL - to 6/05	E-2992		Viano	3.2L V6 F/I	33-2912	HP-7004
E320	3.0L V6 DSL - from 5/05	33-2940		Viano	3.5L V6 F/I	33-2912	
E320	3.2L L6 DSL		HP-7017	Viano	3.7L V6 F/I	33-2912	HP-7004
E320	3.2L V6 F/I	33-2181*	HP-7004	Vito	2.2L L4 DSL	33-2912	
E350	3.5L V6 F/I	33-2181*	HP-7004	Vito	3.2L V6 F/I	33-2912	HP-7004
E400	4.0L V8 DSL	33-2205*		Vito	3.7L V6 F/I	33-2912	HP-7004

\*Indicates 2 filters required

◆ - Intake kit available

Applications updated daily at [knfilters.com](http://knfilters.com) ®

Partial Listing - Complete List of Vehicles and Applications at [knfilters.com](http://knfilters.com)

# MERCEDES BENZ

# AIR & OIL FILTERS

Vehicle	Engine Type	Air Filter	Oil Filter	Vehicle	Engine Type	Air Filter	Oil Filter
<b>2004 MERCEDES BENZ</b>				<b>2004 MERCEDES BENZ</b>			
A140	1.4L L4 F/I	E-9242 ♦		ML270	2.7L V6 DSL	33-2158	
A140	1.6L L4 F/I	E-9242 ♦		ML350	3.7L V6 F/I	33-2703	HP-7004
A150	1.5L L4 F/I	33-2914		ML400	4.0L V8 F/I	33-2703	
A160	1.6L L4 F/I	E-9242 ♦		ML430	4.3L V8 F/I	33-2703	
A160	1.7L L4 DSL	E-9260		ML500	5.0L V8 F/I	33-2703	HP-7004
A160	2.0L L4 DSL	33-2915		S55 AMG	5.4L V8 F/I	33-2181*	HP-7004
A170	1.7L L4 DSL	E-9260		S55 AMG	5.5L V8 F/I	33-2181*	HP-7004
A170	1.7L L4 F/I	33-2914		S55 AMG	5.4L V8 F/I	33-2181*	
A180	2.0L L4 DSL	33-2915		Kompressor			
A190	1.9L L4 F/I	E-9242 ♦		S63 AMG	6.3L V8 F/I	33-2217*	
A200	2.0L L4 DSL	33-2915		S65 AMG	6.0L V12 F/I	33-2412	
A200	2.0L L4 F/I	33-2914		S280	2.8L V6 F/I	33-2181*	
A210	2.1L L4 F/I	E-9242		S320	3.2L L6 DSL	33-2158	
C32 AMG	3.2L V6 F/I	33-2256*	HP-7004	S320	3.2L L6 F/I	33-2181*	
C55 AMG	5.5L V8 F/I	33-2181*	HP-7004	S350	3.7L V6 F/I	33-2181*	HP-7004
C180 Kompressor	1.8L L4 F/I	E-2011		S400	4.0L V8 DSL	33-2205*	
C200	2.1L L4 DSL - 102/116BHP	33-2158		S430	4.3L V8 F/I	33-2181*	HP-7004
C200	2.1L L4 DSL - 122BHP	E-2018		S500	5.0L V8 F/I	33-2181*	HP-7004
C200 CGI	1.8L L4 F/I	E-2011		S600	5.5L V12 F/I	33-2412	
C200 Kompressor	1.8L L4 F/I	E-2011		SL55 AMG	5.5L V8 F/I	33-2181*	HP-7004
C220	2.2L L4 DSL	E-2018		SL65 AMG	6.0L V12 F/I	33-2412	
C230	1.8L L4 F/I	E-2011		SL350	3.7L L6 F/I	33-2181*	
C230 Kompressor	1.8L L4 F/I	E-2011		SL500	5.0L V8 F/I	33-2181*	HP-7004
C240	2.6L V6 F/I	33-2181*	HP-7004	SL600	5.5L V12 F/I	33-2412	
C270	2.7L L5 DSL	33-2158		SLK32 AMG	3.2L V6 F/I	33-2256*	HP-7004
C320	3.2L V6 F/I	33-2181*	HP-7004	SLK55 AMG	5.5L V8 F/I	33-2181*	HP-7004
CL55 AMG	5.5L V8 F/I	33-2181*	HP-7004	SLK200 Kompressor	1.8L L4 F/I	E-2011	
CL55 AMG Kompressor	5.5L V8 F/I	33-2181*	HP-7004	SLK200 Kompressor	2.0L L4 F/I	33-2767	HP-7008
CL63 AMG	6.3L V8 F/I	33-2217*		SLK230	2.3L L4 F/I	33-2767	HP-7008
CL65 AMG	6.0L V12 F/I	33-2412		SLK320	3.2L V6 F/I	33-2185*	HP-7004
CL500	5.0L V8 F/I	33-2181*	HP-7004	SLK350	3.5L V6 F/I	33-2181*	HP-7004
CL600	5.5L V12 F/I	33-2412		SLR	5.4L V8 F/I	33-2703*	
CLK DTM AMG	5.5L V8 F/I	33-2181*	HP-7004	Sprinter	2.3L L4 DSL	33-2764	
CLK55 AMG	5.5L V8 F/I	33-2181*	HP-7004	Sprinter	2.3L L4 F/I	33-2764	HP-7008
CLK200 CGI	1.8L L4 F/I	E-2011		Sprinter	2.7L L5 DSL	33-2764	
CLK200 Kompressor	1.8L L4 F/I	E-2011		Sprinter	2.9L L5 DSL	33-2764	
CLK240	2.6L V6 F/I	33-2181*	HP-7004	Vaneo	1.6L L4 F/I	E-9242	
CLK270	2.7L L5 DSL	33-2856		Vaneo	1.7L L4 DSL	E-9260	
CLK320	3.2L V6 F/I	33-2181*	HP-7004	Vaneo	2.2L L4 DSL	33-2912	
CLK500	5.0L V8 F/I	33-2181*	HP-7004	Viano	3.0L V6 F/I	33-2912	
CLS350	3.5L V6 F/I	33-2181*		Viano	3.2L V6 F/I	33-2912	HP-7004
CLS500	5.0L V8 F/I	33-2181*	HP-7004	Viano	3.5L V6 F/I	33-2912	
E55 AMG	5.5L V8 F/I	33-2181*	HP-7004	Viano	3.7L V6 F/I	33-2912	HP-7004
E200	1.8L L4 F/I	E-2011		Vito	2.2L L4 DSL	33-2912	
E200	2.1L L4 DSL	E-2992		Vito	3.2L V6 F/I	33-2912	HP-7004
E200 CGI	1.8L L4 F/I	E-2011		Vito	3.7L V6 F/I	33-2912	HP-7004
E200 Kompressor	1.8L L4 F/I	E-2011		<b>2003 MERCEDES BENZ</b>			
E220	2.2L L4 DSL	E-2992		A140	1.4L L4 F/I	E-9242 ♦	
E240	2.6L V6 F/I	33-2181*		A140	1.6L L4 F/I	E-9242 ♦	
E270	2.7L L5 DSL	E-2992		A160	1.6L L4 F/I	E-9242 ♦	
E280	3.2L V6 DSL	E-2992		A160	1.7L L4 DSL	E-9260	
E320	3.2L L6 DSL	E-2992	HP-7017	A170	1.7L L4 DSL	E-9260	
E320	3.2L V6 F/I	33-2181*	HP-7004	A190	1.9L L4 F/I	E-9242 ♦	
E400	4.0L V8 DSL	33-2205*		A210	2.1L L4 F/I	E-9242	
E500	5.0L V8 F/I	33-2181*	HP-7004	C32 AMG	3.2L V6 F/I	33-2256*	HP-7004
G55 AMG	5.5L V8 F/I		HP-7004	C180 Kompressor	1.8L L4 F/I	E-2011	
G55 AMG	5.5L V8 F/I - Non-US	33-2181*	HP-7004	C200	2.1L L4 DSL - 102/116BHP	33-2158	
G270	2.7L L5 DSL	33-2158		C200	2.1L L4 DSL - 122BHP	E-2018	
G320	3.2L V6 F/I	33-2181*		C200 CGI	1.8L L4 F/I	E-2011	
G400	4.0L V8 DSL	33-2205*		C200 Kompressor	1.8L L4 F/I	E-2011	
G500	5.0L V8 F/I	33-2181*	HP-7004	C220	2.2L L4 DSL - OM611 Eng.	33-2158	
ML55 AMG	5.5L V8 F/I	33-2703	HP-7004	C220	2.2L L4 DSL - OM646 Eng.	E-2018	

\*Indicates 2 filters required

♦ - Intake kit available

Applications updated daily at [knfilters.com](http://knfilters.com) ®

# AIR & OIL FILTERS

# MERCEDES BENZ

Vehicle	Engine Type	Air Filter	Oil Filter	Vehicle	Engine Type	Air Filter	Oil Filter
<b>2003 MERCEDES BENZ</b>				<b>2003 MERCEDES BENZ</b>			
C230	1.8L L4 F/I	E-2011		S320	3.2L L6 F/I	33-2181*	
C230 Kompressor	1.8L L4 F/I	E-2011		S350	3.7L V6 F/I	33-2181*	HP-7004
C240	2.6L V6 F/I	33-2181*	HP-7004	S400	4.0L V8 DSL	33-2205*	
C270	2.7L L5 DSL	33-2158		S430	4.3L V8 F/I	33-2181*	HP-7004
C320	3.2L V6 F/I	33-2181*	HP-7004	S500	5.0L V8 F/I	33-2181*	HP-7004
CL55 AMG	5.4L V8 F/I		HP-7004	S600	5.5L V12 F/I	33-2412	
CL55 AMG	5.4L V8 F/I - Non-US	33-2181*	HP-7004	SL55 AMG	5.5L V8 F/I	33-2181*	HP-7004
CL55 AMG	5.5L V8 F/I		HP-7004	SL350	3.7L L6 F/I	33-2181*	
CL55 AMG	5.5L V8 F/I - Non-US	33-2181*	HP-7004	SL500	5.0L V8 F/I	33-2181*	HP-7004
CL55 AMG Kompressor	5.5L V8 F/I	33-2181*	HP-7004	SL600	5.5L V12 F/I	33-2412	
CL63 AMG	6.3L V8 F/I	33-2217*		SLK32 AMG	3.2L V6 F/I	33-2256*	HP-7004
CL65 AMG	6.0L V12 F/I	33-2412		SLK200 Kompressor	2.0L L4 F/I	33-2767	HP-7008
CL500	5.0L V8 F/I	33-2181*	HP-7004	SLK230	2.3L L4 F/I	33-2767	HP-7008
CL600	5.5L V12 F/I	33-2412		SLK320	3.2L V6 F/I	33-2185*	HP-7004
CLK55 AMG	5.5L V8 F/I	33-2181*	HP-7004	Sprinter	2.3L L4 DSL	33-2764	
CLK200 CGI	1.8L L4 F/I	E-2011		Sprinter	2.3L L4 F/I	33-2764	HP-7008
CLK200 Kompressor	1.8L L4 F/I	E-2011		Sprinter	2.7L L5 DSL	33-2764	
CLK240	2.6L V6 F/I	33-2181*	HP-7004	Sprinter	2.9L L5 DSL	33-2764	
CLK270	2.7L L5 DSL	33-2856		V200	2.0L L4 F/I	33-2766	HP-7008
CLK320	3.2L V6 F/I		HP-7004	V200	2.1L L4 DSL	33-2764	
CLK320	3.2L V6 F/I - Convertible	33-2703	HP-7004	V220	2.1L L4 DSL	33-2764	
CLK320	3.2L V6 F/I - Coupe	33-2181*	HP-7004	V230	2.0L L4 F/I	33-2766	
CLK320	3.2L V6 F/I - Non-US	33-2181*	HP-7004	V230	2.3L L4 DSL	33-2766	
CLK430	4.3L V8 F/I		HP-7004	V230	2.3L L4 F/I	33-2766	HP-7008
CLK500	5.0L V8 F/I	33-2181*	HP-7004	V280	2.8L V6 F/I	33-2766	
E55 AMG	5.5L V8 F/I		HP-7004	Vaneo	1.6L L4 F/I	E-9242	
E55 AMG	5.5L V8 F/I - Non-US	33-2181*	HP-7004	Vaneo	1.7L L4 DSL	E-9260	
E200	2.1L L4 DSL	E-2992		Viano	2.2L L4 DSL	33-2912	
E200 CGI	1.8L L4 F/I	E-2011		Viano	3.0L V6 F/I	33-2912	
E200 Kompressor	1.8L L4 F/I	E-2011		Viano	3.2L V6 F/I	33-2912	HP-7004
E200 Kompressor	2.0L L4 F/I	33-2184		Vito	2.0L L4 F/I	33-2766	HP-7008
E200 Kompressor	2.0L L4 F/I - to 6/03	33-2184	HP-7008	Vito	2.1L L4 DSL	33-2764	
E220	2.2L L4 DSL	E-2992		Vito	2.2L L4 DSL - from 9/03	33-2912	
E240	2.6L V6 F/I	33-2181*	HP-7004	Vito	2.2L L4 DSL - to 8/03	33-2764	
E270	2.7L L5 DSL	E-2992		Vito	2.3L L4 DSL	33-2766	
E280	2.8L V6 F/I	33-2184		Vito	2.3L L4 F/I	33-2766	HP-7008
E320	3.2L L6 DSL	E-2992		Vito	3.2L V6 F/I	33-2912	HP-7004
E320	3.2L V6 F/I	33-2181*	HP-7004	<b>2002 MERCEDES BENZ</b>			
E320 Wagon	3.2L V6 F/I	33-2184	HP-7004	A140	1.4L L4 F/I	E-9242 ♦	
E400	4.0L V8 DSL	33-2205*		A140	1.6L L4 F/I	E-9242 ♦	
E430	4.3L V8 F/I	33-2184		A160	1.6L L4 F/I	E-9242 ♦	
E500	5.0L V8 F/I	33-2181*	HP-7004	A160	1.7L L4 DSL	E-9260	
G55 AMG	5.5L V8 F/I		HP-7004	A170	1.7L L4 DSL	E-9260	
G55 AMG	5.5L V8 F/I - Non-US	33-2181*	HP-7004	A190	1.9L L4 F/I	E-9242 ♦	
G270	2.7L L5 DSL	33-2158		A210	2.1L L4 F/I	E-9242	
G320	3.2L V6 F/I	33-2181*		C32 AMG	3.2L V6 F/I	33-2256*	HP-7004
G400	4.0L V8 DSL	33-2205*		C180	2.0L L4 F/I	33-2244	HP-7008
G500	5.0L V8 F/I	33-2181*	HP-7004	C180 Kompressor	1.8L L4 F/I	E-2011	
ML55 AMG	5.5L V8 F/I	33-2703	HP-7004	C200	2.1L L4 DSL	33-2158	
ML270	2.7L V6 DSL	33-2158		C200 Kompressor	1.8L L4 F/I	E-2011	
ML320	3.2L V6 F/I	33-2703	HP-7004	C200 Kompressor	2.0L L4 F/I	33-2193	HP-7008
ML350	3.7L V6 F/I	33-2703	HP-7004	C220	2.2L L4 DSL	33-2158	
ML400	4.0L V8 F/I	33-2703		C230	2.3L L4 F/I	33-2193	HP-7008
ML430	4.3L V8 F/I	33-2703		C230 Kompressor	1.8L L4 F/I - from 6/02	E-2011	
ML500	5.0L V8 F/I	33-2703	HP-7004	C230 Kompressor	1.8L L4 F/I - to 5/02	33-2193	
S55 AMG	5.4L V8 F/I	33-2181*	HP-7004	C240	2.6L V6 F/I	33-2181*	HP-7004
S55 AMG	5.5L V8 F/I	33-2181*	HP-7004	C270	2.7L L5 DSL	33-2158	
S55 AMG Kompressor	5.4L V8 F/I	33-2181*		C320	3.2L V6 F/I	33-2181*	HP-7004
S63 AMG	6.3L V8 F/I	33-2217*		CL55 AMG	5.5L V8 F/I		HP-7004
S65 AMG	6.0L V12 F/I	33-2412		CL55 AMG	5.5L V8 F/I - Non-US	33-2181*	HP-7004
S280	2.8L V6 F/I	33-2181*		CL55 AMG Kompressor	5.5L V8 F/I	33-2181*	HP-7004
S320	3.2L L6 DSL	33-2158		CL500	5.0L V8 F/I	33-2181*	HP-7004

\*Indicates 2 filters required

♦ - Intake kit available

Applications updated daily at [knfilters.com](http://knfilters.com) ®

Partial Listing - Complete List of Vehicles and Applications at [knfilters.com](http://knfilters.com)

# MERCEDES BENZ

# AIR & OIL FILTERS

Vehicle	Engine Type	Air Filter	Oil Filter
<b>2002 MERCEDES BENZ</b>			
CL600	5.5L V12 F/I - from 10/02	33-2412	
CL600	5.8L V12 F/I	33-2217*	HP-7004
CLK55 AMG	5.5L V8 F/I		HP-7004
CLK55 AMG	5.5L V8 F/I - Non-US, 347BHP	33-2747*	HP-7004
CLK55 AMG	5.5L V8 F/I - Non-US, 367BHP	33-2181*	HP-7004
CLK55 AMG	5.5L V8 F/I - US	33-2183*	HP-7004
CLK200	2.0L L4 F/I	33-2703 ♦	HP-7008
CLK200 Kompressor	1.8L L4 F/I	E-2011	
CLK200 Kompressor	2.0L L4 F/I		HP-7008
CLK230 Kompressor	2.3L L4 F/I	33-2703	HP-7008
CLK240	2.6L V6 F/I	33-2181*	HP-7004
CLK270	2.7L L5 DSL	33-2856	
CLK320	3.2L V6 F/I	33-2703	HP-7004
CLK320	3.2L V6 F/I - Non-US, from 6/02	33-2181*	HP-7004
CLK320	3.2L V6 F/I - Non-US, to 5/02	33-2703	HP-7004
CLK430	4.3L V8 F/I		HP-7004
CLK430	4.3L V8 F/I - Non-US	33-2747*	HP-7004
CLK430	4.3L V8 F/I - US	33-2183*	HP-7004
CLK500	5.0L V8 F/I	33-2181*	HP-7004
E55 AMG	5.5L V8 F/I		HP-7004
E55 AMG	5.5L V8 F/I - Non-US, 354BHP	33-2747*	HP-7004
E55 AMG	5.5L V8 F/I - Non-US, 476BHP	33-2181*	HP-7004
E55 AMG	5.5L V8 F/I - US	33-2183*	HP-7004
E200	2.0L L4 DSL	33-2747	
E200	2.1L L4 DSL - 116BHP	33-2158	
E200	2.1L L4 DSL - Exc., 116BHP	E-2992	
E200	2.2L L4 DSL	33-2747	
E200 CGI	1.8L L4 F/I	E-2011	
E200 Kompressor	1.8L L4 F/I	E-2011	
E200 Kompressor	2.0L L4 F/I	33-2184	HP-7008
E220	2.2L L4 DSL	E-2992	
E240	2.4L V6 F/I	33-2184	HP-7004
E240	2.6L V6 F/I	33-2181*	HP-7004
E270	2.7L L5 DSL - 170BHP	33-2158	
E270	2.7L L5 DSL - 177BHP	E-2992	
E280	2.8L V6 F/I	33-2184	HP-7004
E320	3.2L L6 DSL - 197BHP	33-2158	
E320	3.2L L6 DSL - 204BHP	E-2992	
E320	3.2L V6 F/I		HP-7004
E320	3.2L V6 F/I - Non-US, W/S210	33-2184	HP-7004
E320	3.2L V6 F/I - Non-US, W/S211	33-2181*	HP-7004
E320	3.2L V6 F/I - US	33-2184	HP-7004
E430	4.3L V8 F/I	33-2184	HP-7004
E500	5.0L V8 F/I	33-2181*	HP-7004
G55 AMG	5.5L V8 F/I	33-2181*	
G270	2.7L L5 DSL	33-2158	
G320	3.2L V6 F/I	33-2181*	
G400	4.0L V8 DSL	33-2205*	
G500	5.0L V8 F/I		HP-7004
G500	5.0L V8 F/I - Non-US	33-2181*	HP-7004
ML55 AMG	5.5L V8 F/I	33-2703	HP-7004
ML230	2.3L L4 F/I	33-2703	HP-7008
ML270	2.7L V6 DSL	33-2158	
ML320	3.2L V6 F/I	33-2703	HP-7004
ML350	3.7L V6 F/I	33-2703	HP-7004
ML400	4.0L V8 F/I	33-2703	
ML430	4.3L V8 F/I	33-2703	
ML500	5.0L V8 F/I	33-2703	HP-7004

Vehicle	Engine Type	Air Filter	Oil Filter
<b>2002 MERCEDES BENZ</b>			
S55 AMG	5.4L V8 F/I	33-2181*	HP-7004
S55 AMG	5.5L V8 F/I		HP-7004
S55 AMG Kompressor	5.4L V8 F/I	33-2181*	
S63 AMG	6.3L V8 F/I	33-2217*	
S280	2.8L V6 F/I	33-2181*	
S320	3.2L L6 DSL	33-2158	
S320	3.2L L6 F/I	33-2181*	
S350	3.7L V6 F/I	33-2181*	HP-7004
S400	4.0L V8 DSL	33-2205*	
S430	4.3L V8 F/I	33-2181*	HP-7004
S500	5.0L V8 F/I	33-2181*	HP-7004
S600	5.5L V12 F/I		HP-7004
S600	5.5L V12 F/I - from 10/02	33-2412	HP-7004
S600	5.8L V12 F/I	33-2217*	HP-7004
SL55 AMG	5.5L V8 F/I	33-2181*	HP-7004
SL500	5.0L V8 F/I	33-2181*	HP-7004
SL600	6.0L V12 F/I - Non-US	33-2677*	
SL600	6.0L V12 F/I - US	33-2217*	
SLK32 AMG	3.2L V6 F/I	33-2256*	HP-7004
SLK200 Kompressor	2.0L L4 F/I	33-2767	HP-7008
SLK230	2.3L L4 F/I	33-2767	HP-7008
SLK320	3.2L V6 F/I	33-2185*	HP-7004
Sprinter	2.3L L4 DSL	33-2764	
Sprinter	2.3L L4 F/I	33-2764	HP-7008
Sprinter	2.7L L5 DSL	33-2764	
Sprinter	2.9L L5 DSL	33-2764	
V200	2.0L L4 F/I	33-2766	HP-7008
V200	2.1L L4 DSL	33-2764	
V220	2.1L L4 DSL	33-2764	
V230	2.0L L4 F/I	33-2766	
V230	2.3L L4 DSL	33-2766	
V230	2.3L L4 F/I	33-2766	HP-7008
V280	2.8L V6 F/I	33-2766	
Vaneo	1.6L L4 F/I	E-9242	
Vaneo	1.7L L4 DSL	E-9260	
Vito	2.0L L4 F/I	33-2766	HP-7008
Vito	2.1L L4 DSL	33-2764	
Vito	2.2L L4 DSL	33-2764	
Vito	2.3L L4 DSL	33-2766	
Vito	2.3L L4 F/I	33-2766	HP-7008

<b>2001 MERCEDES BENZ</b>			
A140	1.4L L4 F/I	E-9242 ♦	
A140	1.6L L4 F/I	E-9242 ♦	
A160	1.6L L4 F/I	E-9242 ♦	
A160	1.7L L4 DSL	E-9260	
A170	1.7L L4 DSL	E-9260	
A190	1.9L L4 F/I	E-9242 ♦	
C32 AMG	3.2L V6 F/I	33-2256*	HP-7004
C43 AMG	4.3L V8 F/I	33-2183*	HP-7004
C180	2.0L L4 F/I	33-2244	HP-7008
C200	2.0L L4 DSL	33-2703	
C200	2.0L L4 F/I	33-2703	HP-7008
C200	2.1L L4 DSL	33-2158	
C200	2.2L L4 DSL	33-2703	
C200 Kompressor	2.0L L4 F/I	33-2193	HP-7008
C220	2.2L L4 DSL - OM604 Eng.	33-2703	
C220	2.2L L4 DSL - OM611 Eng.	33-2158	
C230 Kompressor	2.3L L4 F/I		HP-7008
C240	2.6L V6 F/I	33-2181*	HP-7004
C250	2.5L L5 DSL	33-2703	
C270	2.7L L5 DSL	33-2158	

\*Indicates 2 filters required      ♦ - Intake kit available      Applications updated daily at [knfilters.com](http://knfilters.com) ®



# AIR & OIL FILTERS

# MERCEDES BENZ

Vehicle	Engine Type	Air Filter	Oil Filter	Vehicle	Engine Type	Air Filter	Oil Filter
<b>2001 MERCEDES BENZ</b>				<b>2001 MERCEDES BENZ</b>			
C280	2.8L V6 F/I	33-2703	HP-7004	SL500	5.0L V8 F/I - Non-US, 306BHP	33-2181*	HP-7004
C320	3.2L V6 F/I	33-2181*	HP-7004	SL500	5.0L V8 F/I - Non-US, 320BHP	33-2678*	HP-7004
CL55 AMG	5.5L V8 F/I		HP-7004	SL600	6.0L V12 F/I - Non-US	33-2677*	
CL55 AMG	5.5L V8 F/I - Non-US	33-2181*	HP-7004	SL600	6.0L V12 F/I - US	33-2217*	
CL500	5.0L V8 F/I	33-2181*	HP-7004	SLK32 AMG	3.2L V6 F/I	33-2256*	HP-7004
CL600	5.8L V12 F/I	33-2217*	HP-7004	SLK200 Kompressor	2.0L L4 F/I	33-2767	HP-7008
CLK55 AMG	5.5L V8 F/I		HP-7004	SLK230	2.3L L4 F/I	33-2767	HP-7008
CLK55 AMG	5.5L V8 F/I - Non-US	33-2747*	HP-7004	SLK320	3.2L V6 F/I	33-2185*	HP-7004
CLK55 AMG	5.5L V8 F/I - US	33-2183*	HP-7004	Sprinter	2.3L L4 DSL	33-2764	
CLK200	2.0L L4 F/I	33-2703 ♦	HP-7008	Sprinter	2.3L L4 F/I	33-2764	HP-7008
CLK200 Kompressor	2.0L L4 F/I		HP-7008	Sprinter	2.7L L5 DSL	33-2764	
CLK230 Kompressor	2.3L L4 F/I	33-2703	HP-7008	Sprinter	2.9L L5 DSL	33-2764	
CLK320	3.2L V6 F/I	33-2703	HP-7004	V200	2.0L L4 F/I	33-2766	HP-7008
CLK430	4.3L V8 F/I		HP-7004	V200	2.1L L4 DSL	33-2764	
CLK430	4.3L V8 F/I - Non-US	33-2747*	HP-7004	V220	2.1L L4 DSL	33-2764	
CLK430	4.3L V8 F/I - US	33-2183*	HP-7004	V230	2.0L L4 F/I	33-2766	
E55 AMG	5.5L V8 F/I		HP-7004	V230	2.3L L4 DSL	33-2766	
E55 AMG	5.5L V8 F/I - Non-US	33-2747*	HP-7004	V230	2.3L L4 F/I	33-2766	HP-7008
E55 AMG	5.5L V8 F/I - US	33-2183*	HP-7004	V280	2.8L V6 F/I	33-2766	
E200	2.0L L4 DSL	33-2747		Vito	2.0L L4 F/I	33-2766	HP-7008
E200	2.1L L4 DSL	33-2158		Vito	2.1L L4 DSL	33-2764	
E200	2.2L L4 DSL	33-2747		Vito	2.2L L4 DSL	33-2764	
E200 Kompressor	2.0L L4 F/I	33-2184	HP-7008	Vito	2.3L L4 DSL	33-2766	
E220	2.2L L4 DSL - 143BHP	33-2158		Vito	2.3L L4 F/I	33-2766	HP-7008
E220	2.2L L4 DSL - Exc., 143BHP	33-2747		<b>2000 MERCEDES BENZ</b>			
E240	2.4L V6 F/I	33-2184	HP-7004	A140	1.4L L4 F/I	E-9242 ♦	
E240	2.6L V6 F/I		HP-7004	A160	1.6L L4 F/I	E-9242 ♦	
E270	2.7L L5 DSL	33-2158		A160	1.7L L4 DSL	E-9260	
E280	2.8L V6 F/I	33-2184	HP-7004	A170	1.7L L4 DSL	E-9260	
E320	3.2L L6 DSL	33-2158		A190	1.9L L4 F/I	E-9242 ♦	
E320	3.2L V6 F/I	33-2184	HP-7004	C36 AMG	3.6L L6 F/I	33-2703	HP-7008
E430	4.3L V8 F/I	33-2184	HP-7004	C43 AMG	4.3L V8 F/I	33-2183*	HP-7004
G55 AMG	5.5L V8 F/I	33-2181*		C180	1.8L L4 F/I	33-2703	HP-7008
G270	2.7L L5 DSL	33-2158		C180	2.0L L4 F/I	33-2244	HP-7008
G320	3.2L V6 F/I	33-2181*	HP-7004	C200	2.0L L4 DSL	33-2703	
G400	4.0L V8 DSL	33-2205*		C200	2.0L L4 F/I	33-2703	HP-7008
G500	5.0L V8 F/I	33-2181*	HP-7004	C200	2.1L L4 DSL	33-2158	
ML55 AMG	5.5L V8 F/I	33-2703	HP-7004	C200	2.2L L4 DSL	33-2703	
ML230	2.3L L4 F/I	33-2703	HP-7008	C200 Kompressor	2.0L L4 F/I		HP-7008
ML270	2.7L V6 DSL	33-2158		C200 Kompressor	2.0L L4 F/I - 163BHP	33-2193	HP-7008
ML320	3.2L V6 F/I	33-2703	HP-7004	C200 Kompressor	2.0L L4 F/I - Exc., 163BHP	33-2703	HP-7008
ML400	4.0L V8 F/I	33-2703		C220	2.2L L4 DSL - OM604 Eng.	33-2703	
ML430	4.3L V8 F/I	33-2703	HP-7004	C220	2.2L L4 DSL - OM611 Eng.	33-2158	
ML500	5.0L V8 F/I	33-2703	HP-7004	C220	2.2L L4 F/I	33-2703	HP-7008
S55 AMG	5.4L V8 F/I	33-2181*	HP-7004	C230	2.3L L4 F/I	33-2703	HP-7008
S55 AMG	5.5L V8 F/I		HP-7004	C230 Kompressor	2.3L L4 F/I	33-2703	HP-7008
S55 AMG Kompressor	5.4L V8 F/I	33-2181*		C240	2.4L V6 F/I	33-2703	
S63 AMG	6.3L V8 F/I	33-2217*		C240	2.6L V6 F/I	33-2181*	HP-7004
S280	2.8L V6 F/I	33-2181*		C250	2.5L L5 DSL	33-2703	
S320	3.2L L6 F/I	33-2181*	HP-7004	C270	2.7L L5 DSL	33-2158	
S400	4.0L V8 DSL	33-2205*		C280	2.8L V6 F/I	33-2703	HP-7004
S430	4.3L V8 F/I	33-2181*	HP-7004	C320	3.2L V6 F/I	33-2181*	HP-7004
S500	5.0L V8 F/I	33-2181*	HP-7004	CL55 AMG	5.4L V8 F/I	33-2181*	HP-7004
S600	5.8L V12 F/I	33-2217*	HP-7004	CL500	5.0L V8 F/I	33-2181*	HP-7004
SL55 AMG	5.5L V8 F/I	33-2181*	HP-7004	CL600	5.8L V12 F/I	33-2217*	HP-7004
SL280	2.8L V6 F/I		HP-7004	CLK55 AMG	5.5L V8 F/I		HP-7004
SL280	2.8L V6 F/I - 193BHP	33-2765	HP-7004	CLK55 AMG	5.5L V8 F/I - Non-US	33-2747*	HP-7004
SL280	2.8L V6 F/I - 204BHP	33-2181*	HP-7004	CLK200	2.0L L4 F/I	33-2703 ♦	HP-7008
SL320	3.2L L6 F/I		HP-7004	CLK200 Kompressor	2.0L L4 F/I		HP-7008
SL320	3.2L L6 F/I - 224BHP	33-2181*	HP-7004	CLK230 Kompressor	2.3L L4 F/I	33-2703	HP-7008
SL320	3.2L L6 F/I - 231BHP	33-2765	HP-7004				
SL500	5.0L V8 F/I	33-2181*	HP-7004				

\*Indicates 2 filters required

♦ - Intake kit available

Applications updated daily at [knfilters.com](http://knfilters.com) ®

Partial Listing - Complete List of Vehicles and Applications at [knfilters.com](http://knfilters.com)

# MERCEDES BENZ

# AIR & OIL FILTERS

Vehicle	Engine Type	Air Filter	Oil Filter
<b>2000 MERCEDES BENZ</b>			
CLK320	3.2L V6 F/I	33-2703	HP-7004
CLK430	4.3L V8 F/I		HP-7004
CLK430	4.3L V8 F/I - Non-US	33-2747*	HP-7004
CLK430	4.3L V8 F/I - US	33-2183*	HP-7004
E55 AMG	5.5L V8 F/I		HP-7004
E55 AMG	5.5L V8 F/I - Non-US	33-2747*	HP-7004
E55 AMG	5.5L V8 F/I - US	33-2183*	HP-7004
E200	2.0L L4 DSL	33-2747	
E200	2.0L L4 F/I	33-2184	
E200	2.0L L4 F/I - to 7/00	33-2184	HP-7008
E200	2.1L L4 DSL	33-2158	
E200	2.2L L4 DSL	33-2747	
E200 Kompressor	2.0L L4 F/I	33-2184	HP-7008
E220	2.2L L4 DSL - 143BHP	33-2158	
E220	2.2L L4 DSL - Exc., 143BHP	33-2747	
E240	2.4L V6 F/I	33-2184	HP-7004
E240	2.6L V6 F/I		HP-7004
E270	2.7L L5 DSL	33-2158	
E280	2.8L V6 F/I	33-2184	HP-7004
E320	3.2L L6 DSL	33-2158	
E320	3.2L V6 F/I	33-2184	HP-7004
E430	4.3L V8 F/I	33-2184	HP-7004
G55 AMG	5.5L V8 F/I	33-2181*	
G320	3.2L V6 F/I	33-2181*	HP-7004
G500	5.0L V8 F/I	33-2181*	HP-7004
ML55 AMG	5.5L V8 F/I	33-2703	HP-7004
ML230	2.3L L4 F/I	33-2703	HP-7008
ML270	2.7L V6 DSL	33-2158	
ML320	3.2L V6 F/I	33-2703	HP-7004
ML430	4.3L V8 F/I	33-2703	HP-7004
S55 AMG	5.4L V8 F/I	33-2181*	HP-7004
S280	2.8L V6 F/I	33-2181*	HP-7004
S320	3.2L L6 F/I	33-2181*	HP-7004
S400	4.0L V8 DSL	33-2205*	
S430	4.3L V8 F/I	33-2181*	HP-7004
S500	5.0L V8 F/I	33-2181*	HP-7004
S600	5.8L V12 F/I	33-2217*	HP-7004
SL280	2.8L V6 F/I	HP-7004	HP-7004
SL280	2.8L V6 F/I - 193BHP	33-2765	HP-7004
SL280	2.8L V6 F/I - 204BHP	33-2181*	HP-7004
SL320	3.2L L6 F/I	HP-7004	HP-7004
SL320	3.2L L6 F/I - 224BHP	33-2181*	HP-7004
SL320	3.2L L6 F/I - 231BHP	33-2765	HP-7004
SL500	5.0L V8 F/I	33-2181*	HP-7004
SL500	5.0L V8 F/I - Non-US, 306BHP	33-2181*	HP-7004
SL500	5.0L V8 F/I - Non-US, 320BHP	33-2678*	HP-7004
SL600	6.0L V12 F/I - Non-US	33-2677*	
SLK200	2.0L L4 F/I	33-2767	HP-7008
SLK200 Kompressor	2.0L L4 F/I	33-2767	HP-7008
SLK230	2.3L L4 F/I	33-2767	HP-7008
SLK320	3.2L V6 F/I	33-2185*	HP-7004
Sprinter	2.3L L4 DSL	33-2764	
Sprinter	2.3L L4 F/I	33-2764	HP-7008
Sprinter	2.7L L5 DSL	33-2764	
Sprinter	2.9L L5 DSL	33-2764	
V200	2.0L L4 F/I	33-2766	HP-7008
V200	2.1L L4 DSL	33-2764	
V220	2.1L L4 DSL	33-2764	
V230	2.0L L4 F/I	33-2766	
V230	2.3L L4 DSL	33-2766	
V230	2.3L L4 F/I	33-2766	HP-7008
V280	2.8L V6 F/I	33-2766	

Vehicle	Engine Type	Air Filter	Oil Filter
<b>2000 MERCEDES BENZ</b>			
Vito	2.0L L4 F/I	33-2766	HP-7008
Vito	2.1L L4 DSL	33-2764	
Vito	2.2L L4 DSL	33-2764	
Vito	2.3L L4 DSL	33-2766	
Vito	2.3L L4 F/I	33-2766	HP-7008
<b>1999 MERCEDES BENZ</b>			
A140	1.4L L4 F/I	E-9242 ♦	
A160	1.6L L4 F/I	E-9242 ♦	
A160	1.7L L4 DSL	E-9260	
A170	1.7L L4 DSL	E-9260	
A190	1.9L L4 F/I	E-9242 ♦	
C36 AMG	3.6L L6 F/I	33-2703	HP-7008
C43 AMG	4.3L V8 F/I	33-2183*	HP-7004
C180	1.8L L4 F/I	33-2703	HP-7008
C200	2.0L L4 DSL	33-2703	
C200	2.0L L4 F/I	33-2703	HP-7008
C200	2.2L L4 DSL	33-2703	
C200 Kompressor	2.0L L4 F/I	33-2703	HP-7008
C220	2.2L L4 DSL	33-2703	
C220	2.2L L4 F/I	33-2703	HP-7008
C230	2.3L L4 F/I	33-2703	HP-7008
C230 Kompressor	2.3L L4 F/I	33-2703	HP-7008
C240	2.4L V6 F/I	33-2703	
C250	2.5L L5 DSL	33-2703	
C280	2.8L V6 F/I	33-2703	HP-7004
CL55 AMG	5.4L V8 F/I	33-2181*	HP-7004
CL420	4.2L V8 F/I	33-2678*	
CL500	5.0L V8 F/I	33-2181*	HP-7004
CL500	5.0L V8 F/I - Non-US, 306BHP	33-2181*	HP-7004
CL500	5.0L V8 F/I - Non-US, 320BHP	33-2678*	HP-7004
CL600	6.0L V12 F/I - Non-US	33-2217*	
CLK55 AMG	5.5L V8 F/I - Non-US	33-2747*	
CLK200	2.0L L4 F/I	33-2703 ♦	HP-7008
CLK200 Kompressor	2.0L L4 F/I		HP-7008
CLK230 Kompressor	2.3L L4 F/I	33-2703	HP-7008
CLK320	3.2L V6 F/I	33-2703	HP-7004
CLK430	4.3L V8 F/I	HP-7004	HP-7004
CLK430	4.3L V8 F/I - Non-US	33-2747*	HP-7004
CLK430	4.3L V8 F/I - US	33-2183*	HP-7004
E36 AMG	3.6L L6 F/I		HP-7008
E55 AMG	5.5L V8 F/I		HP-7004
E55 AMG	5.5L V8 F/I - Non-US	33-2747*	HP-7004
E55 AMG	5.5L V8 F/I - US	33-2183*	HP-7004
E200	2.0L L4 DSL	33-2747	
E200	2.0L L4 F/I		HP-7008
E200	2.0L L4 F/I - from 8/99	33-2184	HP-7008
E200	2.0L L4 F/I - to 7/99	33-2747	HP-7008
E200	2.1L L4 DSL	33-2158	
E200	2.2L L4 DSL	33-2747	
E200 Kompressor	2.0L L4 F/I - from 8/99	33-2184	
E200 Kompressor	2.0L L4 F/I - to 7/99	33-2747	
E220	2.2L L4 DSL - 143BHP	33-2158	
E220	2.2L L4 DSL - Exc., 143BHP	33-2747	
E240	2.4L V6 F/I		HP-7004
E240	2.4L V6 F/I - from 8/99	33-2184	HP-7004
E240	2.4L V6 F/I - to 7/99	33-2747	HP-7004
E250	2.5L L5 DSL	33-2747	
E270	2.7L L5 DSL	33-2158	
E280	2.8L V6 F/I		HP-7004
E280	2.8L V6 F/I - from 8/99	33-2184	HP-7004
E280	2.8L V6 F/I - to 7/99	33-2747	HP-7004
E290	2.9L L5 DSL	33-2747	

\*Indicates 2 filters required

♦ - Intake kit available

Applications updated daily at [knfilters.com](http://knfilters.com) ®

# AIR & OIL FILTERS

# MERCEDES BENZ

Vehicle	Engine Type	Air Filter	Oil Filter	Vehicle	Engine Type	Air Filter	Oil Filter
<b>1999 MERCEDES BENZ</b>				<b>1998 MERCEDES BENZ</b>			
E300	3.0L L6 DSL - Non-US	33-2747		C36 AMG	3.6L L6 F/I	33-2703	HP-7008
E320	3.2L L6 DSL	33-2158		C43 AMG	4.3L V8 F/I	33-2183*	HP-7004
E320	3.2L V6 F/I		HP-7004	C180	1.8L L4 F/I	33-2703	HP-7008
E320	3.2L V6 F/I - Non-US, from 8/99	33-2184	HP-7004	C200	2.0L L4 DSL	33-2703	
E320	3.2L V6 F/I - Non-US, to 7/99	33-2747	HP-7004	C200	2.0L L4 F/I	33-2703	HP-7008
E320	3.2L V6 F/I - US	33-2747	HP-7004	C200 Kompressor	2.0L L4 F/I	33-2703	HP-7008
E430	4.3L V8 F/I		HP-7004	C220	2.2L L4 DSL	33-2703	
E430	4.3L V8 F/I - Non-US, from 8/99	33-2184	HP-7004	C220	2.2L L4 F/I	33-2703	HP-7008
E430	4.3L V8 F/I - Non-US, to 7/99	33-2747	HP-7004	C230	2.3L L4 F/I	33-2703 ♦	HP-7008
E430	4.3L V8 F/I - US	33-2747	HP-7004	C230 Kompressor	2.3L L4 F/I	33-2703	HP-7008
G55 AMG	5.5L V8 F/I	33-2181*		C240	2.4L V6 F/I	33-2703	
G320	3.2L V6 F/I	33-2181*	HP-7004	C250	2.5L L5 DSL	33-2703	
G500	5.0L V8 F/I	33-2181*	HP-7004	C280	2.8L V6 F/I	33-2703	HP-7004
ML230	2.3L L4 F/I	33-2703	HP-7008	CL420	4.2L V8 F/I	33-2678*	
ML270	2.7L V6 DSL	33-2158		CL500	5.0L V8 F/I - Non-US	33-2678*	
ML320	3.2L V6 F/I	33-2703	HP-7004	CL600	6.0L V12 F/I - Non-US	33-2217*	
ML430	4.3L V8 F/I	33-2703	HP-7004	CLK200	2.0L L4 F/I	33-2703 ♦	HP-7008
S55 AMG	5.4L V8 F/I	33-2181*	HP-7004	CLK200 Kompressor	2.0L L4 F/I		HP-7008
S280	2.8L V6 F/I	33-2181*	HP-7004	CLK230 Kompressor	2.3L L4 F/I	33-2703	HP-7008
S320	3.2L L6 F/I		HP-7004	CLK320	3.2L V6 F/I	33-2703	HP-7004
S320	3.2L L6 F/I - Non-US, from 10/98	33-2181*	HP-7004	CLK430	4.3L V8 F/I	33-2747*	HP-7004
S320	3.2L L6 F/I - Non-US, to 9/98	33-2130	HP-7004	E36 AMG	3.6L L6 F/I	33-2747	HP-7008
S320	3.2L L6 F/I - US	33-2130	HP-7004	E55 AMG	5.5L V8 F/I	33-2747*	
S430	4.3L V8 F/I	33-2181*	HP-7004	E200	2.0L L4 DSL	33-2747	
S500	5.0L V8 F/I	33-2678*	HP-7004	E200	2.0L L4 F/I		HP-7008
SL280	2.8L V6 F/I		HP-7004	E200	2.0L L4 F/I - W/S124	33-2704	HP-7008
SL280	2.8L V6 F/I - 193BHP	33-2765	HP-7004	E200	2.0L L4 F/I - W/S210	33-2747	HP-7008
SL280	2.8L V6 F/I - 204BHP	33-2181*	HP-7004	E200	2.2L L4 DSL	33-2747	
SL320	3.2L L6 F/I		HP-7004	E200 Kompressor	2.0L L4 F/I	33-2747	
SL320	3.2L L6 F/I - 224BHP	33-2181*	HP-7004	E220	2.2L L4 DSL	33-2747	
SL320	3.2L L6 F/I - 231BHP	33-2765	HP-7004	E220	2.2L L4 F/I	33-2704	
SL500	5.0L V8 F/I		HP-7004	E240	2.4L V6 F/I	33-2747	
SL500	5.0L V8 F/I - Non-US, 306BHP	33-2181*	HP-7004	E250	2.5L L5 DSL	33-2747	
SL500	5.0L V8 F/I - Non-US, 320BHP	33-2678*	HP-7004	E280	2.8L V6 F/I	33-2747	
SL500	5.0L V8 F/I - US	33-2181*	HP-7004	E290	2.9L L5 DSL	33-2747	
SL600	6.0L V12 F/I - Non-US	33-2677*		E300	3.0L L6 DSL - Non-US	33-2747	
SLK200	2.0L L4 F/I	33-2767	HP-7008	E320	3.2L L6 F/I		HP-7008
SLK200 Kompressor	2.0L L4 F/I	33-2767	HP-7008	E320	3.2L L6 F/I - Non-US, W/S124	33-2705	HP-7008
SLK230	2.3L L4 F/I	33-2767	HP-7008	E320	3.2L L6 F/I - Non-US, W/S210	33-2747	HP-7008
Sprinter	2.3L L4 DSL	33-2764		E320	3.2L V6 F/I		HP-7004
Sprinter	2.3L L4 F/I	33-2764	HP-7008	E320	3.2L V6 F/I - US	33-2747	HP-7004
Sprinter	2.9L L5 DSL	33-2764		E430	4.3L V8 F/I	33-2747	HP-7004
V200	2.0L L4 F/I	33-2766	HP-7008	G36 AMG	3.6L V6 F/I		HP-7008
V200	2.1L L4 DSL	33-2764		G320	3.2L V6 F/I	33-2181*	HP-7008
V220	2.1L L4 DSL	33-2764		G500	5.0L V8 F/I	33-2181*	
V230	2.0L L4 F/I	33-2766		ML230	2.3L L4 F/I	33-2703	HP-7008
V230	2.3L L4 DSL	33-2766		ML320	3.2L V6 F/I	33-2703	HP-7004
V230	2.3L L4 F/I	33-2766	HP-7008	ML430	4.3L V8 F/I	33-2703	HP-7004
V280	2.8L V6 F/I	33-2766		S280	2.8L V6 F/I - 193BHP	33-2130	HP-7008
Vito	2.0L L4 F/I	33-2766	HP-7008	S280	2.8L V6 F/I - 204BHP	33-2181*	HP-7004
Vito	2.1L L4 DSL	33-2764		S300	3.0L L6 DSL	33-2701	
Vito	2.2L L4 DSL	33-2764		S320	3.2L L6 F/I	33-2130	
Vito	2.3L L4 DSL	33-2766		S320	3.2L L6 F/I - from 10/98	33-2130	HP-7004
Vito	2.3L L4 F/I	33-2766	HP-7008	S320	3.2L L6 F/I - to 9/98	33-2130	HP-7008
				S350	3.4L L6 DSL	33-2701	
				S420	4.2L V8 F/I - Non-US	33-2678*	
				S430	4.3L V8 F/I	33-2181*	
				S500	5.0L V8 F/I		HP-7004
				S500	5.0L V8 F/I - Non-US, 306BHP	33-2181*	HP-7004
				S500	5.0L V8 F/I - Non-US, 320BHP	33-2678*	HP-7004
<b>1998 MERCEDES BENZ</b>							
A140	1.4L L4 F/I	E-9242 ♦					
A160	1.6L L4 F/I	E-9242 ♦					
A160	1.7L L4 DSL	E-9260					
A170	1.7L L4 DSL	E-9260					

\*Indicates 2 filters required

♦ - Intake kit available

Applications updated daily at [knfilters.com](http://knfilters.com) ®

Partial Listing - Complete List of Vehicles and Applications at [knfilters.com](http://knfilters.com)

# MERCEDES BENZ

# AIR & OIL FILTERS

Vehicle	Engine Type	Air Filter	Oil Filter	Vehicle	Engine Type	Air Filter	Oil Filter
<b>1998 MERCEDES BENZ</b>				<b>1997 MERCEDES BENZ</b>			
SL280	2.8L V6 F/I - 193BHP	33-2765		E280	2.8L V6 F/I - 204BHP	33-2747	HP-7004
SL280	2.8L V6 F/I - 204BHP	33-2181*		E290	2.9L L5 DSL	33-2747	
SL320	3.2L L6 F/I		HP-7004	E300	3.0L L6 DSL - Non-US	33-2747	
SL320	3.2L L6 F/I - 224BHP	33-2181*	HP-7004	E320	3.2L L6 F/I		HP-7008
SL320	3.2L L6 F/I - 231BHP	33-2765	HP-7004	E320	3.2L L6 F/I - Non-US, W/S124	33-2705	HP-7008
SL500	5.0L V8 F/I		HP-7004	E320	3.2L L6 F/I - Non-US, W/S210	33-2747	HP-7008
SL500	5.0L V8 F/I - Non-US, 306BHP	33-2181*	HP-7004	E320	3.2L L6 F/I - US	33-2747	HP-7008
SL500	5.0L V8 F/I - Non-US, 320BHP	33-2678*	HP-7004	E420	4.2L V8 F/I	33-2747	
SL600	6.0L V12 F/I - Non-US	33-2677*		E430	4.3L V8 F/I	33-2747	
SLK200	2.0L L4 F/I	33-2767	HP-7008	G36 AMG	3.6L V6 F/I		HP-7008
SLK200 Kompressor	2.0L L4 F/I	33-2767	HP-7008	G320	3.2L V6 F/I		HP-7008
SLK230	2.3L L4 F/I	33-2767	HP-7008	S280	2.8L V6 F/I	33-2130	HP-7008
Sprinter	2.3L L4 DSL	33-2764		S300	3.0L L6 DSL	33-2701	
Sprinter	2.3L L4 F/I	33-2764	HP-7008	S320	3.2L L6 F/I	33-2130	HP-7008
Sprinter	2.9L L5 DSL	33-2764		S350	3.4L L6 DSL	33-2701	
V200	2.0L L4 F/I	33-2766	HP-7008	S420	4.2L V8 F/I	33-2678*	
V230	2.0L L4 F/I	33-2766		S500	5.0L V8 F/I	33-2678*	
V230	2.3L L4 DSL	33-2766		S600	6.0L V12 F/I	33-2677*	
V230	2.3L L4 F/I	33-2766	HP-7008	SL280	2.8L V6 F/I	33-2765	
V280	2.8L V6 F/I	33-2766		SL320	3.2L L6 F/I		HP-7008
Vito	2.0L L4 F/I	33-2766	HP-7008	SL320	3.2L L6 F/I - Non-US	33-2765	HP-7008
Vito	2.3L L4 DSL	33-2766		SL500	5.0L V8 F/I	33-2678*	
Vito	2.3L L4 F/I	33-2766	HP-7008	SL600	6.0L V12 F/I	33-2677*	
<b>1997 MERCEDES BENZ</b>				SLK200	2.0L L4 F/I	33-2767	HP-7008
A140	1.4L L4 F/I	E-9242 ♦		SLK200 Kompressor	2.0L L4 F/I	33-2767	HP-7008
A160	1.6L L4 F/I	E-9242 ♦		SLK230	2.3L L4 F/I	33-2767	HP-7008
C36 AMG	3.6L L6 F/I	33-2703	HP-7008	Sprinter	2.3L L4 DSL	33-2764	
C43 AMG	4.3L V8 F/I	33-2183*	HP-7004	Sprinter	2.3L L4 F/I	33-2764	HP-7008
C180	1.8L L4 F/I	33-2703	HP-7008	Sprinter	2.9L L5 DSL	33-2764	
C200	2.0L L4 DSL	33-2703		V200	2.0L L4 F/I	33-2766	HP-7008
C200	2.0L L4 F/I	33-2703	HP-7008	V230	2.0L L4 F/I	33-2766	
C200 Kompressor	2.0L L4 F/I	33-2703	HP-7008	V230	2.3L L4 DSL	33-2766	
C220	2.2L L4 DSL	33-2703		V230	2.3L L4 F/I	33-2766	HP-7008
C220	2.2L L4 F/I	33-2703	HP-7008	V280	2.8L V6 F/I	33-2766	
C230	2.3L L4 F/I	33-2703 ♦	HP-7008	Vito	2.0L L4 F/I	33-2766	HP-7008
C230 Kompressor	2.3L L4 F/I	33-2703	HP-7008	Vito	2.3L L4 DSL	33-2766	
C240	2.4L V6 F/I	33-2703		Vito	2.3L L4 F/I	33-2766	HP-7008
C250	2.5L L5 DSL	33-2703		<b>1996 MERCEDES BENZ</b>			
C280	2.8L L6 F/I	33-2703		C36 AMG	3.6L L6 F/I	33-2703	HP-7008
C280	2.8L L6 F/I - from 6/97	33-2703	HP-7004	C180	1.8L L4 F/I	33-2703	HP-7008
C280	2.8L L6 F/I - to 5/97	33-2703	HP-7008	C200	2.0L L4 DSL	33-2703	
CL420	4.2L V8 F/I	33-2678*		C200	2.0L L4 F/I	33-2703	HP-7008
CL500	5.0L V8 F/I	33-2678*		C200 Kompressor	2.0L L4 F/I	33-2703	HP-7008
CL600	6.0L V12 F/I	33-2217*		C220	2.2L L4 DSL	33-2703	
CLK200	2.0L L4 F/I	33-2703 ♦	HP-7008	C220	2.2L L4 F/I	33-2703	HP-7008
CLK200 Kompressor	2.0L L4 F/I		HP-7008	C230	2.3L L4 F/I	33-2703 ♦	HP-7008
CLK230 Kompressor	2.3L L4 F/I	33-2703	HP-7008	C230 Kompressor	2.3L L4 F/I	33-2703	HP-7008
CLK320	3.2L V6 F/I	33-2703	HP-7004	C250	2.5L L5 DSL	33-2703	
E36 AMG	3.6L L6 F/I	33-2747	HP-7008	C280	2.8L L6 F/I	33-2703	HP-7008
E55 AMG	5.5L V8 F/I	33-2747*		CL420	4.2L V8 F/I	33-2678*	
E200	2.0L L4 DSL	33-2747		CL500	5.0L V8 F/I	33-2678*	
E200	2.0L L4 F/I		HP-7008	CL600	6.0L V12 F/I	33-2217*	
E200	2.0L L4 F/I - W/S124	33-2704	HP-7008	E36 AMG	3.6L L6 F/I	33-2747	HP-7008
E200	2.0L L4 F/I - W/S210	33-2747	HP-7008	E200	2.0L L4 DSL	33-2747	
E200 Kompressor	2.0L L4 F/I	33-2747		E200	2.0L L4 F/I		HP-7008
E220	2.2L L4 DSL	33-2747		E200	2.0L L4 F/I - W/S124	33-2704	HP-7008
E220	2.2L L4 F/I	33-2704	HP-7008	E200	2.0L L4 F/I - W/S210	33-2747	HP-7008
E230	2.3L L4 F/I	33-2747	HP-7008	E220	2.2L L4 DSL	33-2747	
E240	2.4L V6 F/I	33-2747		E220	2.2L L4 F/I	33-2704	HP-7008
E250	2.5L L5 DSL	33-2747		E230	2.3L L4 F/I	33-2747	HP-7008
E280	2.8L V6 F/I	33-2747		E250	2.5L L5 DSL	33-2747	
E280	2.8L V6 F/I - 193/197BHP	33-2747	HP-7008	E280	2.8L V6 F/I - 193/197BHP		HP-7008

\*Indicates 2 filters required

♦ - Intake kit available

Applications updated daily at [knfilters.com](http://knfilters.com) ®

# AIR & OIL FILTERS

# MERCEDES BENZ

Vehicle	Engine Type	Air Filter	Oil Filter	Vehicle	Engine Type	Air Filter	Oil Filter
<b>1996 MERCEDES BENZ</b>				<b>1995 MERCEDES BENZ</b>			
E280	2.8L V6 F/I - 204BHP		HP-7004	E320	3.2L L6 F/I		HP-7008
E280	2.8L V6 F/I - W/S124	33-2705		E320	3.2L L6 F/I - Non-US, W/S124	33-2705	HP-7008
E280	2.8L V6 F/I - W/S210	33-2747		E320	3.2L L6 F/I - Non-US, W/S210	33-2747	HP-7008
E290	2.9L L5 DSL	33-2747		E320	3.2L L6 F/I - US	33-2705	HP-7008
E300	3.0L L6 DSL - Non-US	33-2747		E420	4.2L V8 F/I	33-2678*	
E320	3.2L L6 F/I		HP-7008	E500	5.0L V8 F/I	33-2678*	
E320	3.2L L6 F/I - Non-US, W/S124	33-2705	HP-7008	G36 AMG	3.6L V6 F/I		HP-7008
E320	3.2L L6 F/I - Non-US, W/S210	33-2747	HP-7008	G320	3.2L V6 F/I		HP-7008
E320	3.2L L6 F/I - US	33-2747	HP-7008	S280	2.8L V6 F/I	33-2130	HP-7008
E420	4.2L V8 F/I	33-2747		S320	3.2L L6 F/I	33-2130	HP-7008
G36 AMG	3.6L V6 F/I		HP-7008	S350	3.4L L6 DSL	33-2701	
G320	3.2L V6 F/I		HP-7008	S420	4.2L V8 F/I	33-2678*	
S280	2.8L V6 F/I	33-2130	HP-7008	S500	5.0L V8 F/I	33-2678*	
S300	3.0L L6 DSL	33-2701		S600	6.0L V12 F/I	33-2677*	
S320	3.2L L6 F/I	33-2130	HP-7008	SL280	2.8L V6 F/I	33-2765	HP-7008
S350	3.4L L6 DSL	33-2701		SL320	3.2L L6 F/I		HP-7008
S420	4.2L V8 F/I	33-2678*		SL320	3.2L L6 F/I - Non-US	33-2765	HP-7008
S500	5.0L V8 F/I	33-2678*		SL500	5.0L V8 F/I	33-2678*	
S600	6.0L V12 F/I	33-2677*		SL600	6.0L V12 F/I	33-2677*	
SL280	2.8L V6 F/I	33-2765		Sprinter	2.3L L4 DSL	33-2764	
SL320	3.2L L6 F/I		HP-7008	Sprinter	2.3L L4 F/I	33-2764	HP-7008
SL320	3.2L L6 F/I - Non-US	33-2765	HP-7008	Sprinter	2.9L L5 DSL	33-2764	
SL500	5.0L V8 F/I	33-2678*		V230	2.3L L4 DSL	33-2766	
SL600	6.0L V12 F/I	33-2677*		V230	2.3L L4 F/I	33-2766	HP-7008
SLK200	2.0L L4 F/I	33-2767	HP-7008	Vito	2.0L L4 F/I	33-2766	HP-7008
SLK200 Kompressor	2.0L L4 F/I	33-2767	HP-7008	Vito	2.3L L4 DSL	33-2766	
SLK230	2.3L L4 F/I	33-2767	HP-7008	Vito	2.3L L4 F/I	33-2766	HP-7008
Sprinter	2.3L L4 DSL	33-2764		<b>1994 MERCEDES BENZ</b>			
Sprinter	2.3L L4 F/I	33-2764	HP-7008	250GD	2.5L L5 DSL	33-2549	
Sprinter	2.9L L5 DSL	33-2764		300GD	3.0L L6 DSL	33-2642	
V230	2.3L L4 DSL	33-2766		C36 AMG	3.6L L6 F/I	33-2703	HP-7008
V230	2.3L L4 F/I	33-2766	HP-7008	C180	1.8L L4 F/I	33-2703	HP-7008
Vito	2.0L L4 F/I	33-2766	HP-7008	C200	2.0L L4 DSL	33-2703	
Vito	2.3L L4 DSL	33-2766		C200	2.0L L4 F/I	33-2703	HP-7008
Vito	2.3L L4 F/I	33-2766	HP-7008	C220	2.2L L4 DSL	33-2703	
<b>1995 MERCEDES BENZ</b>				C220	2.2L L4 F/I	33-2703	HP-7008
300GD	3.0L L6 DSL	33-2642		C220	2.2L L4 F/I	33-2703	HP-7008
C36 AMG	3.6L L6 F/I	33-2703	HP-7008	C250	2.5L L5 DSL	33-2703	
C180	1.8L L4 F/I	33-2703	HP-7008	C280	2.8L L6 F/I	33-2703	HP-7008
C200	2.0L L4 DSL	33-2703		CL500	5.0L V8 F/I	33-2678*	
C200	2.0L L4 F/I	33-2703	HP-7008	CL600	6.0L V12 F/I	33-2217*	
C200 Kompressor	2.0L L4 F/I	33-2703	HP-7008	E36 AMG	3.6L L6 F/I		HP-7008
C220	2.2L L4 DSL	33-2703		E200	2.0L L4 DSL	33-2561	
C220	2.2L L4 F/I	33-2703	HP-7008	E200	2.0L L4 F/I	33-2704	HP-7008
C230 Kompressor	2.3L L4 F/I	33-2703	HP-7008	E220	2.2L L4 F/I	33-2704	HP-7008
C250	2.5L L5 DSL	33-2703		E250	2.5L L5 DSL	33-2702	
C280	2.8L L6 F/I	33-2703	HP-7008	E280	2.8L V6 F/I	33-2705	HP-7008
CL420	4.2L V8 F/I	33-2678*		E320	3.2L L6 F/I	33-2705	HP-7008
CL500	5.0L V8 F/I	33-2678*		E420	4.2L V8 F/I	33-2678*	
CL600	6.0L V12 F/I	33-2217*		E500	5.0L V8 F/I	33-2678*	
E36 AMG	3.6L L6 F/I		HP-7008	G320	3.2L V6 F/I		HP-7008
E200	2.0L L4 DSL	33-2561		S280	2.8L V6 F/I	33-2130	HP-7008
E200	2.0L L4 F/I		HP-7008	S320	3.2L L6 F/I	33-2130	HP-7008
E200	2.0L L4 F/I - W/S124	33-2704	HP-7008	S350	3.4L L6 DSL	33-2701	
E200	2.0L L4 F/I - W/S210	33-2747	HP-7008	S420	4.2L V8 F/I	33-2678*	
E220	2.2L L4 DSL	33-2747		S500	5.0L V8 F/I	33-2678*	
E220	2.2L L4 F/I	33-2704	HP-7008	S600	6.0L V12 F/I	33-2677*	
E230	2.3L L4 F/I	33-2747	HP-7008	SL280	2.8L V6 F/I	33-2765	HP-7008
E250	2.5L L5 DSL - W/S124	33-2702		SL320	3.2L L6 F/I		HP-7008
E250	2.5L L5 DSL - W/S210	33-2747		SL320	3.2L L6 F/I - Non-US	33-2765	HP-7008
E280	2.8L V6 F/I	33-2705	HP-7008	SL500	5.0L V8 F/I	33-2678*	
E300	3.0L L6 DSL - Non-US	33-2747		SL600	6.0L V12 F/I	33-2677*	
				<b>1993 MERCEDES BENZ</b>			
				190	1.8L L4 F/I	E-9178	
				190D	2.0L L4 DSL	33-2561	
				190D	2.5L L5 DSL - exc. Turbo	33-2549	
				190D	2.5L L5 DSL - Turbo	33-2702	

\*Indicates 2 filters required

◆ - Intake kit available

Applications updated daily at [knfilters.com](http://knfilters.com) ®

Partial Listing - Complete List of Vehicles and Applications at [knfilters.com](http://knfilters.com)

# MERCEDES BENZ

# AIR & OIL FILTERS

Vehicle	Engine Type	Air Filter	Oil Filter	Vehicle	Engine Type	Air Filter	Oil Filter
<b>1993 MERCEDES BENZ</b>				<b>1993 MERCEDES BENZ</b>			
190E	2.0L L4 F/I	E-9178		C220	2.2L L4 F/I	33-2703	HP-7008
190E	2.3L L4 F/I	E-9178	HP-2005	C250	2.5L L5 DSL	33-2703	
190E	2.5L L4 F/I	33-2513		C280	2.8L L6 F/I	33-2703	HP-7008
190E	2.6L L6 F/I	E-2866	HP-2005	CL500	5.0L V8 F/I	33-2678*	
200D	2.0L L4 DSL	33-2513		CL600	6.0L V12 F/I	33-2217*	
200E	2.0L L4 F/I	33-2704		E200	2.0L L4 DSL	33-2561	
200TE	2.0L L4 F/I	33-2704		E200	2.0L L4 F/I	33-2704	HP-7008
220CE	2.2L L4 F/I	33-2704	HP-7008	E220	2.2L L4 F/I	33-2704	HP-7008
220E	2.2L L4 F/I	33-2678	HP-7008	E250	2.5L L5 DSL	33-2702	
220TE	2.2L L4 F/I	33-2704	HP-7008	E280	2.8L V6 F/I	33-2705	HP-7008
230E	2.3L L4 F/I	E-9178		E320	3.2L L6 F/I	33-2705	HP-7008
250D	2.5L L5 DSL	33-2561		E420	4.2L V8 F/I	33-2678*	
250TD	2.5L L5 DSL	33-2702		E500	5.0L V8 F/I	33-2678*	
280E	2.8L L6 F/I	33-2705	HP-7008	G300	3.0L L6 DSL	E-2867	
280TE	2.8L L6 F/I	33-2705	HP-7008	S280	2.8L V6 F/I	33-2130	HP-7008
300CE	3.0L L6 F/I - Non-US, 220BHP	E-9179		S320	3.2L L6 F/I	33-2130	HP-7008
300CE	3.0L L6 F/I - Non-US, Exc., 220BHP	E-2867		S350	3.4L L6 DSL	33-2701	
300CE	3.2L L6 F/I		HP-7008	S420	4.2L V8 F/I	33-2678*	
300CE	3.2L L6 F/I - US	E-9179	HP-7008	S500	5.0L V8 F/I	33-2678*	
300D	2.5L L5 DSL	33-2702		S600	6.0L V12 F/I	33-2677*	
300D	3.0L L6 DSL - w/EGR Valve	33-2549		SL280	2.8L V6 F/I	33-2765	HP-7008
300D	3.0L L6 DSL - w/o EGR Valve	33-2642		SL320	3.2L L6 F/I	33-2765	HP-7008
300E	2.8L L6 F/I		HP-7008	SL500	5.0L V8 F/I	33-2678*	
300E	3.0L L6 F/I		HP-2005	SL600	6.0L V12 F/I	33-2677*	
300E	3.0L L6 F/I - Non-US, 220BHP	E-9179	HP-2005	<b>1992 MERCEDES BENZ</b>			
300E	3.0L L6 F/I - Non-US, Exc., 220BHP	E-2867	HP-2005	190	1.8L L4 F/I	E-9178	
300E	3.0L L6 F/I - US	E-2867	HP-2005	190D	2.0L L4 DSL	33-2561	
300E	3.2L L6 F/I		HP-7008	190D	2.5L L5 DSL - exc. Turbo	33-2549	
300GD	3.0L L6 DSL	33-2642		190D	2.5L L5 DSL - Turbo	33-2702	
300SE	3.2L L6 F/I		HP-7008	190E	2.0L L4 F/I	E-9178	
300SEL	3.2L L6 F/I		HP-7008	190E	2.3L L4 F/I	E-9178	HP-2005
300SL	3.0L L6 F/I		HP-7008	190E	2.5L L4 F/I	33-2513	
300SL	3.0L L6 F/I - Non-US, 190BHP	E-2867	HP-7008	190E	2.6L L6 F/I	E-2866	HP-2005
300SL	3.0L L6 F/I - Non-US, 231BHP	E-9179	HP-7008	200D	2.0L L4 DSL	33-2513	
300SL	3.0L L6 F/I - US	E-9179	HP-7008	200E	2.0L L4 F/I		HP-7008
300TD	3.0L L6 DSL	E-9165		200E	2.0L L4 F/I - From 9/92	33-2704	HP-7008
300TE	3.0L L6 F/I		HP-2005	200E	2.0L L4 F/I - to 8/92	E-9178	HP-7008
300TE	3.0L L6 F/I - Non-US, 220BHP	E-9179	HP-2005	220CE	2.2L L4 F/I	33-2704	HP-7008
300TE	3.0L L6 F/I - Non-US, Exc., 220BHP	E-2867	HP-2005	220E	2.2L L4 F/I	33-2678	HP-7008
300TE	3.0L L6 F/I - US	E-2867	HP-2005	230CE	2.3L L4 F/I	E-9178	
300TE	3.2L L6 F/I	E-2867	HP-7008	230E	2.3L L4 F/I	E-9178	
320CE	3.2L L6 F/I	33-2705	HP-7008	230TE	2.3L L4 F/I	E-9178	
320E	3.2L L6 F/I	33-2705	HP-7008	250D	2.5L L5 DSL	33-2561	
320TE	3.2L L6 F/I	33-2705	HP-7008	250TD	2.5L L5 DSL - exc. Turbo	33-2549	
400E	4.2L V8 F/I	33-2678*		250TD	2.5L L5 DSL - Turbo	33-2702	
400SE	4.2L V8 F/I	33-2678*		260E	2.6L L6 F/I	E-2867	
400SEL	4.2L V8 F/I	33-2678*		280E	2.8L L6 F/I	33-2705	HP-7008
500E	5.0L V8 F/I	33-2678*		300CE	3.0L L6 F/I		HP-7008
500E AMG	6.0L V8 F/I	33-2678*		300CE	3.0L L6 F/I - Non-US, 220BHP	E-9179	HP-7008
500SE	5.0L V8 F/I	33-2678*		300CE	3.0L L6 F/I - Non-US, Exc., 220BHP	E-2867	HP-7008
500SEC	5.0L V8 F/I	E-2872		300CE	3.0L L6 F/I - US	E-9179	HP-7008
500SEL	5.0L V8 F/I	33-2678*		300D	2.5L L5 DSL	33-2702	
500SL	5.0L V8 F/I	33-2678*		300D	3.0L L6 DSL - w/EGR Valve	33-2549	
600SEL	6.0L V12 F/I	33-2677*		300D	3.0L L6 DSL - w/o EGR Valve	33-2642	
600SL	6.0L V12 F/I	33-2677*		300E	2.6L L6 F/I	E-2867	HP-2005
C180	1.8L L4 F/I	33-2703	HP-7008	300E	3.0L L6 F/I		HP-2005
C200	2.0L L4 DSL	33-2703		300E	3.0L L6 F/I - Non-US, 220BHP	E-9179	HP-2005
C220	2.2L L4 DSL	33-2703		300E	3.0L L6 F/I - Non-US, Exc., 220BHP	E-2867	HP-2005
				300E	3.0L L6 F/I - US	E-2867	HP-2005

\*Indicates 2 filters required

◆ - Intake kit available

Applications updated daily at [knfilters.com](http://knfilters.com) ®

# AIR & OIL FILTERS

# MERCEDES BENZ

Vehicle	Engine Type	Air Filter	Oil Filter	Vehicle	Engine Type	Air Filter	Oil Filter
<b>1992 MERCEDES BENZ</b>				<b>1991 MERCEDES BENZ</b>			
300GD	3.0L L6 DSL	33-2642		300D	3.0L L6 DSL - w/o EGR Valve	33-2642	
300GE	3.0L L6 F/I	E-2867		300E	2.6L L6 F/I	E-2867	HP-2005
300SE	3.2L L6 F/I		HP-7008	300E	3.0L L6 F/I		HP-2005
300SEL	3.2L L6 F/I		HP-7008	300E	3.0L L6 F/I - Non-US, 220BHP	E-9179	HP-2005
300SL	3.0L L6 F/I		HP-7008	300E	3.0L L6 F/I - Non-US, Exc., 220BHP	E-2867	HP-2005
300SL	3.0L L6 F/I - Non-US, 190BHP	E-2867	HP-7008	300E	3.0L L6 F/I - US	E-2867	HP-2005
300SL	3.0L L6 F/I - Non-US, 231BHP	E-9179	HP-7008	300GD	3.0L L6 DSL	33-2642	
300SL	3.0L L6 F/I - US	E-9179	HP-7008	300GE	3.0L L6 F/I	E-2867	
300TD	3.0L L6 DSL	E-9165		300SE	3.0L L6 F/I	E-2867	HP-2005
300TE	3.0L L6 F/I	E-2867	HP-2005	300SE	3.2L L6 F/I		HP-7008
300TE	3.0L L6 F/I - Non-US, 220BHP	E-9179	HP-2005	300SEL	3.0L L6 F/I	E-2867	HP-2005
300TE	3.0L L6 F/I - Non-US, Exc., 220BHP	E-2867	HP-2005	300SEL	3.2L L6 F/I		HP-7008
320CE	3.2L L6 F/I	33-2705	HP-7008	300SL	3.0L L6 F/I		HP-7008
320E	3.2L L6 F/I	33-2705	HP-7008	300SL	3.0L L6 F/I - Non-US, 190BHP	E-2867	HP-7008
320TE	3.2L L6 F/I	33-2705	HP-7008	300SL	3.0L L6 F/I - Non-US, 231BHP	E-9179	HP-7008
400E	4.2L V8 F/I	33-2678*		300SL	3.0L L6 F/I - US	E-9179	HP-7008
400SE	4.2L V8 F/I	33-2678*		300TD	3.0L L6 DSL	E-9165	
400SEL	4.2L V8 F/I	33-2678*		300TE	3.0L L6 F/I	E-2867	HP-2005
500E	5.0L V8 F/I	33-2678*		300TE	3.0L L6 F/I - Non-US, 220BHP	E-9179	HP-2005
500E AMG	6.0L V8 F/I	33-2678*		300TE	3.0L L6 F/I - Non-US, Exc., 220BHP	E-2867	HP-2005
500SE	5.0L V8 F/I	33-2678*		350SD	3.5L L6 DSL - Turbo	E-9165	
500SEL	5.0L V8 F/I	33-2678*		350SDL	3.5L L6 DSL - Turbo	E-9165	
500SL	5.0L V8 F/I	33-2683*		400SE	4.2L V8 F/I	33-2678*	
500SL	5.0L V8 F/I - KE Jetronic	33-2683*		400SEL	4.2L V8 F/I	33-2678*	
500SL	5.0L V8 F/I - LH Jetronic	33-2678*		420SE	4.2L V8 F/I	E-2872	
600SEL	6.0L V12 F/I	33-2677*		420SEC	4.2L V8 F/I	E-2872	
CL500	5.0L V8 F/I	33-2678*		420SEL	4.2L V8 F/I	E-2872	
G300	3.0L L6 DSL	E-2867		500E	5.0L V8 F/I	33-2678*	
SL500	5.0L V8 F/I	33-2678*		500SE	5.0L V8 F/I - 326BHP	33-2678*	
SL600	6.0L V12 F/I	33-2677*		500SE	5.0L V8 F/I - Exc., 326BHP	E-2872	
<b>1991 MERCEDES BENZ</b>				<b>1990 MERCEDES BENZ</b>			
190	1.8L L4 F/I	E-9178		500SEC	5.0L V8 F/I	E-2872	
190D	2.0L L4 DSL	33-2561		500SEL	5.0L V8 F/I - 326BHP	33-2678*	
190D	2.5L L5 DSL - exc. Turbo	33-2549		500SEL	5.0L V8 F/I - Exc., 326BHP	E-2872	
190D	2.5L L5 DSL - Turbo	33-2702		500SL	5.0L V8 F/I	33-2683*	
190E	2.0L L4 F/I	E-9178		500SL	5.0L V8 F/I - KE Jetronic	33-2683*	
190E	2.3L L4 F/I	E-9178	HP-2005	500SL	5.0L V8 F/I - LH Jetronic	33-2678*	
190E	2.5L L4 F/I	33-2513		560SEC	5.6L V8 F/I	E-2872	
190E	2.6L L6 F/I	E-2866	HP-2005	560SEL	5.6L V8 F/I	E-2872	
200D	2.0L L4 DSL	33-2513		600SE	6.0L V12 F/I	33-2677*	
200E	2.0L L4 F/I	E-9178		600SEL	6.0L V12 F/I	33-2677*	
200TE	2.0L L4 F/I	E-9178		G300	3.0L L6 DSL	E-2867	
230CE	2.3L L4 F/I	E-9178		<b>1990 MERCEDES BENZ</b>			
230E	2.3L L4 F/I	E-9178		190	1.8L L4 F/I	E-9178	
230TE	2.3L L4 F/I	E-9178		190	2.0L L4 F/I	E-9178	
250D	2.5L L5 DSL	33-2561		190D	2.0L L4 DSL	33-2561	
250GD	2.5L L5 DSL	33-2549		190D	2.5L L5 DSL - exc. Turbo	33-2549	
250TD	2.5L L5 DSL - exc. Turbo	33-2549		190D	2.5L L5 DSL - Turbo	33-2702	
250TD	2.5L L5 DSL - Turbo	33-2702		190E	2.0L L4 F/I	E-9178	
260E	2.6L L6 F/I	E-2867		190E	2.3L L4 F/I	E-9178	HP-2005
260TE	2.6L L6 F/I	E-2867		190E	2.5L L4 F/I	33-2513	
300CE	3.0L L6 F/I		HP-7008	190E	2.6L L6 F/I	E-2866	HP-2005
300CE	3.0L L6 F/I - Non-US, 220BHP	E-9179	HP-7008	200	2.0L L4 F/I	E-9178	
300CE	3.0L L6 F/I - Non-US, Exc., 220BHP	E-2867	HP-7008	200D	2.0L L4 DSL	33-2513	
300CE	3.0L L6 F/I - US	E-9179	HP-7008	200E	2.0L L4 F/I	E-9178	
300CE	3.0L L6 F/I - US	E-9179	HP-7008	200T	2.0L L4 CARB	E-9178	
300D	2.5L L5 DSL	33-2702		200TD	2.0L L4 DSL	33-2513	
300D	3.0L L6 DSL - w/EGR Valve	33-2549					

\*Indicates 2 filters required

◆ - Intake kit available

Applications updated daily at [knfilters.com](http://knfilters.com) ®

Partial Listing - Complete List of Vehicles and Applications at [knfilters.com](http://knfilters.com)

# MERCEDES BENZ

# AIR & OIL FILTERS

Vehicle	Engine Type	Air Filter	Oil Filter	Vehicle	Engine Type	Air Filter	Oil Filter
<b>1990 MERCEDES BENZ</b>				<b>1989 MERCEDES BENZ</b>			
200TE	2.0L L4 F/I	E-9178		200	2.0L L4 F/I	E-9178	
230CE	2.3L L4 F/I	E-9178		200D	2.0L L4 DSL	33-2513	
230E	2.3L L4 F/I	E-9178		200E	2.0L L4 F/I	E-9178	
230TE	2.3L L4 F/I	E-9178		200T	2.0L L4 CARB	E-9178	
250D	2.5L L5 DSL	33-2561		200TD	2.0L L4 DSL	33-2513	
250TD	2.5L L5 DSL - Turbo	33-2702		200TE	2.0L L4 F/I	E-9178	
260E	2.6L L6 F/I	E-2867		230CE	2.3L L4 F/I	E-9178	
300CE	3.0L L6 F/I		HP-7008	230E	2.3L L4 F/I	E-9178	
300CE	3.0L L6 F/I - Non-US, 220BHP	E-9179	HP-7008	230TE	2.3L L4 F/I	E-9178	
300CE	3.0L L6 F/I - Non-US, Exc., 220BHP	E-2867	HP-7008	250D	2.5L L5 DSL	33-2561	
300CE	3.0L L6 F/I - US	E-9179	HP-7008	250TD	2.5L L5 DSL - exc. Turbo	33-2549	
300D	2.5L L5 DSL	33-2702		250TD	2.5L L5 DSL - Turbo	33-2702	
300D	3.0L L6 DSL - w/EGR Valve	33-2549		260E	2.6L L6 F/I	E-2867	HP-2005
300D	3.0L L6 DSL - w/o EGR Valve	33-2642		300CE	3.0L L6 F/I		HP-2005
300E	2.6L L6 F/I	E-2867	HP-2005	300CE	3.0L L6 F/I - Non-US, 220BHP	E-9179	HP-2005
300E	3.0L L6 F/I		HP-2005	300CE	3.0L L6 F/I - Non-US, Exc., 220BHP	E-2867	HP-2005
300E	3.0L L6 F/I - Non-US, 220BHP	E-9179	HP-2005	300CE	3.0L L6 F/I - US	E-2867	HP-2005
300E	3.0L L6 F/I - Non-US, Exc., 220BHP	E-2867	HP-2005	300D	3.0L L6 DSL - w/EGR Valve	33-2549	
300E	3.0L L6 F/I - US	E-2867	HP-2005	300D	3.0L L6 DSL - w/o EGR Valve	33-2642	
300GD	3.0L L6 DSL	33-2642		300E	3.0L L6 F/I		HP-2005
300GE	3.0L L6 F/I	E-2867		300E	3.0L L6 F/I - Non-US, 220BHP	E-9179	HP-2005
300SE	3.0L L6 F/I	E-2867	HP-2005	300E	3.0L L6 F/I - Non-US, Exc., 220BHP	E-2867	HP-2005
300SEL	3.0L L6 F/I	E-2867	HP-2005	300E	3.0L L6 F/I - US	E-2867	HP-2005
300SL	3.0L L6 F/I		HP-7008	300GE	3.0L L6 F/I	E-2867	
300SL	3.0L L6 F/I - Non-US, 190BHP	E-2867	HP-7008	300SE	3.0L L6 F/I	E-2867	HP-2005
300SL	3.0L L6 F/I - Non-US, 231BHP	E-9179	HP-7008	300SEL	3.0L L6 F/I	E-2867	HP-2005
300SL	3.0L L6 F/I - US	E-9179	HP-7008	300SL	3.0L L6 F/I		HP-7008
300TD	3.0L L6 DSL	E-9165		300SL	3.0L L6 F/I - 180/188BHP	E-2866	HP-7008
300TE	3.0L L6 F/I		HP-2005	300SL	3.0L L6 F/I - 190BHP	E-2867	HP-7008
300TE	3.0L L6 F/I - Non-US, 220BHP	E-9179	HP-2005	300SL	3.0L L6 F/I - 231BHP	E-9179	HP-7008
300TE	3.0L L6 F/I - Non-US, Exc., 220BHP	E-2867	HP-2005	300TD	3.0L L6 DSL	E-9165	
300TE	3.0L L6 F/I - US	E-2867	HP-2005	300TE	3.0L L6 F/I		HP-2005
300TE	3.0L L6 F/I - Non-US, 220BHP	E-9179	HP-2005	300TE	3.0L L6 F/I - Non-US, 220BHP	E-9179	HP-2005
350SD	3.5L L6 DSL - Turbo	E-9165		300TE	3.0L L6 F/I - Non-US, Exc., 220BHP	E-2867	HP-2005
350SDL	3.5L L6 DSL - Turbo	E-9165		300TE	3.0L L6 F/I - US	E-2867	HP-2005
420SE	4.2L V8 F/I	E-2872		420SEL	4.2L V8 F/I	E-2872	
420SEC	4.2L V8 F/I	E-2872		500SEC	5.0L V8 F/I	E-2872	
420SEL	4.2L V8 F/I	E-2872		500SEL	5.0L V8 F/I	E-2872	
500SE	5.0L V8 F/I	E-2872		500SL	5.0L V8 F/I	E-2872	
500SEC	5.0L V8 F/I	E-2872		560SEC	5.6L V8 F/I	E-2872	
500SEL	5.0L V8 F/I	E-2872		560SEL	5.6L V8 F/I	E-2872	
500SL	5.0L V8 F/I	33-2683*		560SL	5.6L V8 F/I	E-2872	
500SL	5.0L V8 F/I - KE Jetronic	33-2683*					
500SL	5.0L V8 F/I - LH Jetronic	33-2678*		<b>1988 MERCEDES BENZ</b>			
560SE	5.6L V8 F/I	E-2872		190	2.0L L4 F/I - From 10/88	E-9178	
560SEC	5.6L V8 F/I	E-2872		190	2.0L L4 F/I - To 9/88	E-2865	
560SEL	5.6L V8 F/I	E-2872		190D	2.0L L4 DSL	33-2561	
G300	3.0L L6 DSL	E-2867		190D	2.5L L5 DSL - Turbo	33-2702	
<b>1989 MERCEDES BENZ</b>				190E	2.0L L4 F/I - From 10/88	E-9178	
190	2.0L L4 F/I	E-9178	HP-2005	190E	2.0L L4 F/I - To 9/88	E-2865	
190D	2.0L L4 DSL	33-2561		190E	2.3L L4 F/I		HP-2005
190D	2.5L L5 DSL - exc. Turbo	33-2549		190E	2.3L L4 F/I - Non-US, DOHC, To 9/88	33-2513	HP-2005
190D	2.5L L5 DSL - Turbo	33-2702		190E	2.3L L4 F/I - Non-US, From 10/88	E-9178	HP-2005
190E	2.0L L4 F/I	E-9178	HP-2005	190E	2.3L L4 F/I - Non-US, SOHC, To 9/88	E-2865	HP-2005
190E	2.3L L4 F/I	E-9178	HP-2005	190E	2.3L L4 F/I - US	E-9178	HP-2005
190E	2.5L L4 F/I	33-2513		190E	2.5L L4 F/I	33-2513	
190E	2.6L L6 F/I	E-2866	HP-2005				

\*Indicates 2 filters required

◆ - Intake kit available

Applications updated daily at [knfilters.com](http://knfilters.com) ®



# AIR & OIL FILTERS

# MERCEDES BENZ

Vehicle	Engine Type	Air Filter	Oil Filter	Vehicle	Engine Type	Air Filter	Oil Filter
<b>1988 MERCEDES BENZ</b>				<b>1987 MERCEDES BENZ</b>			
190E	2.6L L6 F/I	E-2866	HP-2005	300D	3.0L L6 DSL - Non-US, w/o EGR Valve	33-2642	
200	2.0L L4 F/I	E-9178		300D	3.0L L6 DSL - US	E-9165	
200D	2.0L L4 DSL	33-2513		300E	3.0L L6 F/I	E-2867	HP-2005
200E	2.0L L4 F/I	E-9178		300SDL	3.0L L6 DSL	E-9165	
200T	2.0L L4 CARB	E-9178		300SE	3.0L L6 F/I	E-2867	
200TD	2.0L L4 DSL	33-2513		300SEL	3.0L L6 F/I	E-2867	
200TE	2.0L L4 F/I	E-9178		300SL	3.0L L6 F/I	E-2866	
230CE	2.3L L4 F/I - From 10/88	E-9178		300TD	3.0L L6 DSL	E-9165	
230CE	2.3L L4 F/I - To 9/88	E-2865		420SEL	4.2L V8 F/I	E-2872	
230E	2.3L L4 F/I - From 10/88	E-9178		500SEC	5.0L V8 F/I	E-2872	
230E	2.3L L4 F/I - To 9/88	E-2865		500SEL	5.0L V8 F/I	E-2872	
230TE	2.3L L4 F/I - To 9/88	E-2865		500SL	5.0L V8 F/I	E-2872	
250D	2.5L L5 DSL	33-2561		560SEC	5.6L V8 F/I	E-2872	
250TD	2.5L L5 DSL - Turbo	33-2702		560SEL	5.6L V8 F/I	E-2872	
260E	2.6L L6 F/I	E-2867	HP-2005	560SL	5.6L V8 F/I	E-2872	
260SE	2.6L L6 F/I	E-2867		<b>1986 MERCEDES BENZ</b>			
300CE	3.0L L6 F/I	E-2867	HP-2005	190	2.0L L4 F/I	E-2865	
300D	3.0L L6 DSL - w/EGR Valve	33-2549		190D	2.0L L4 DSL	33-2561	
300D	3.0L L6 DSL - w/o EGR Valve	33-2642		190D	2.5L L5 DSL	33-2549	
300E	3.0L L6 F/I		HP-2005	190E	2.0L L4 F/I	E-2865	
300E	3.0L L6 F/I - Non-US, 220BHP	E-9179	HP-2005	190E	2.3L L4 F/I - DOHC	33-2513	
300E	3.0L L6 F/I - Non-US, Exc., 220BHP	E-2867	HP-2005	190E	2.3L L4 F/I - SOHC	E-2865	HP-2005
300E	3.0L L6 F/I - US	E-2867	HP-2005	190E	2.6L L6 F/I	E-2866	HP-2005
300SE	3.0L L6 F/I	E-2867	HP-2005	200D	2.0L L4 DSL	33-2513	
300SEL	3.0L L6 F/I	E-2867	HP-2005	230E	2.3L L4 F/I	E-2865	
300SL	3.0L L6 F/I	E-2866		260E	2.6L L6 F/I	E-2867	
300TD	3.0L L6 DSL	E-9165		300D	3.0L L6 DSL - w/EGR Valve	33-2549	
300TE	3.0L L6 F/I		HP-2005	300D	3.0L L6 DSL - w/o EGR Valve	33-2642	
300TE	3.0L L6 F/I - Non-US, Exc., 220BHP	E-2867	HP-2005	300E	3.0L L6 F/I	E-2867	HP-2005
300TE	3.0L L6 F/I - US	E-2867	HP-2005	300SDL	3.0L L6 DSL	E-9165	
420SE	4.2L V8 F/I	E-2872		300SE	3.0L L6 F/I	E-2867	
420SEC	4.2L V8 F/I	E-2872		300SEL	3.0L L6 F/I	E-2867	
420SEL	4.2L V8 F/I	E-2872		300SL	3.0L L6 F/I	E-2866	
500SEL	5.0L V8 F/I	E-2872		300TD	3.0L L6 DSL	E-9165	
500SL	5.0L V8 F/I	E-2872		420SE	4.2L V8 F/I	E-2872	
560SEC	5.6L V8 F/I	E-2872		420SEC	4.2L V8 F/I	E-2872	
560SEL	5.6L V8 F/I	E-2872		420SEL	4.2L V8 F/I	E-2872	
560SL	5.6L V8 F/I	E-2872		500SE	5.0L V8 F/I	E-2872	
<b>1987 MERCEDES BENZ</b>				500SEC	5.0L V8 F/I	E-2872	
190	2.0L L4 F/I	E-2865		500SEL	5.0L V8 F/I	E-2872	
190D	2.0L L4 DSL	33-2561		560SEC	5.6L V8 F/I	E-2872	
190D	2.5L L5 DSL - exc. Turbo	33-2549		560SEL	5.6L V8 F/I	E-2872	
190D	2.5L L5 DSL - Turbo	33-2702		560SL	5.6L V8 F/I	E-2872	
190E	2.0L L4 F/I	E-2865		<b>1985 MERCEDES BENZ</b>			
190E	2.3L L4 F/I - DOHC	33-2513		190	2.0L L4 F/I	E-2865	
190E	2.3L L4 F/I - SOHC	E-2865	HP-2005	190D	2.0L L4 DSL	33-2561	
190E	2.6L L6 F/I	E-2866	HP-2005	190D	2.2L L4 DSL	33-2561	
200	2.0L L4 F/I	E-9178		190E	2.0L L4 F/I	E-2865	
200D	2.0L L4 DSL	33-2513		190E	2.3L L4 F/I	E-2865	HP-2005
200T	2.0L L4 CARB	E-9178		200	2.0L L4 F/I	E-2800	
200TD	2.0L L4 DSL	33-2513		200D	2.0L L4 DSL - w/Panel Filter	33-2513	
230CE	2.3L L4 F/I	E-2865		200D	2.0L L4 DSL - w/Round Filter	E-2800	
230E	2.3L L4 F/I	E-2865		200T	2.0L L4 CARB	E-2800	
230TE	2.3L L4 F/I	E-2865		200TD	2.0L L4 DSL	33-2513	
250D	2.5L L5 DSL	33-2561		230CE	2.3L L4 F/I	E-2865	
260E	2.6L L6 F/I	E-2867	HP-2005	230E	2.3L L4 F/I	E-2865	
300CE	3.0L L6 F/I	E-2867	HP-2005	230TE	2.3L L4 F/I	E-2865	
300D	3.0L L6 DSL - Non-US, w/EGR Valve	33-2549		250	2.5L L6 F/I	E-3780	
				250D	2.5L L5 DSL	33-2561	
				260E	2.6L L6 F/I	E-2867	

\*Indicates 2 filters required      ♦ - Intake kit available      Applications updated daily at [knfilters.com](http://knfilters.com) ®

**Partial Listing - Complete List of Vehicles and Applications at [knfilters.com](http://knfilters.com)**

# MERCEDES BENZ

# AIR & OIL FILTERS

Vehicle	Engine Type	Air Filter	Oil Filter
<b>1985 MERCEDES BENZ</b>			
280SE	2.8L L6 F/I	E-9166	
280SEL	2.8L L6 F/I	E-9166	
280SL	2.8L L6 F/I	E-2380	
300CD	3.0L L5 DSL - exc. Calif	E-2870	
300D	3.0L L5 DSL - exc. Calif	E-2870	
300D	3.0L L6 DSL - w/EGR Valve	33-2549	
300D	3.0L L6 DSL - w/o EGR Valve	33-2642	
300E	3.0L L6 F/I	E-2867	
300SD	3.0L L5 DSL	E-2870	
300SEL	3.0L L6 F/I	E-2867	
300TD	3.0L L5 DSL	E-2870	
380SE	3.8L V8 F/I	E-2872	
380SEC	3.8L V8 F/I	E-2872	
380SEL	3.8L V8 F/I	E-2872	
380SL	3.8L V8 F/I	E-2872	
500SE	5.0L V8 F/I	E-2872	
500SEC	5.0L V8 F/I	E-2872	
500SEL	5.0L V8 F/I	E-2872	
500SL	5.0L V8 F/I	E-2872	
560SEC	5.6L V8 F/I	E-2872	
560SEL	5.6L V8 F/I	E-2872	

<b>1984 MERCEDES BENZ</b>			
190	2.0L L4 F/I	E-2865	
190D	2.0L L4 DSL	33-2561	
190E	2.0L L4 F/I	E-2865	
190E	2.3L L4 F/I	E-2865	
200	2.0L L4 F/I	E-2800	
200D	2.0L L4 DSL - w/Panel Filter	33-2513	
200D	2.0L L4 DSL - w/Round Filter	E-2800	
200T	2.0L L4 CARB	E-2800	
230CE	2.3L L4 F/I	E-2865	
230E	2.3L L4 F/I	E-2865	
230TE	2.3L L4 F/I	E-2865	
240D	2.4L L4 DSL	E-2800	
250	2.5L L6 F/I	E-3780	
280SE	2.8L L6 F/I	E-9166	
280SEL	2.8L L6 F/I	E-9166	
280SL	2.8L L6 F/I	E-2380	
300CD	3.0L L5 DSL	E-2870	
300D	3.0L L5 DSL	E-2870	
300D	3.0L L6 DSL - w/EGR Valve	33-2549	
300D	3.0L L6 DSL - w/o EGR Valve	33-2642	
300SD	3.0L L5 DSL	E-2870	
300TD	3.0L L5 DSL	E-2870	
380SE	3.8L V8 F/I	E-2872	
380SEC	3.8L V8 F/I	E-2872	
380SEL	3.8L V8 F/I	E-2872	
380SL	3.8L V8 F/I	E-2872	
500SE	5.0L V8 F/I	E-2872	
500SEC	5.0L V8 F/I	E-2872	
500SEL	5.0L V8 F/I	E-2872	

<b>1983 MERCEDES BENZ</b>			
190	2.0L L4 F/I	E-2865	
190D	2.0L L4 DSL	33-2561	
190E	2.0L L4 F/I	E-2865	
190E	2.3L L4 F/I	E-2865	
200	2.0L L4 F/I	E-2800	
200D	2.0L L4 DSL	E-2800	

Vehicle	Engine Type	Air Filter	Oil Filter
<b>1983 MERCEDES BENZ</b>			
200T	2.0L L4 CARB	E-2800	
230CE	2.3L L4 F/I	E-2865	
230E	2.3L L4 CARB	E-2865	
240D	2.4L L4 DSL	E-2800	
280SE	2.8L L6 F/I	E-9166	
280SEL	2.8L L6 F/I	E-9166	
280SL	2.8L L6 F/I	E-2380	
300CD	3.0L L5 DSL	E-2870	
300D	3.0L L5 DSL	E-2870	
300SD	3.0L L5 DSL	E-2870	
300TD	3.0L L5 DSL	E-2870	
380SEC	3.8L V8 F/I	E-2872	
380SEL	3.8L V8 F/I	E-2872	
380SL	3.8L V8 F/I	E-2872	
500SEC	5.0L V8 F/I	E-2872	
500SEL	5.0L V8 F/I	E-2872	
500SL	5.0L V8 F/I	E-2872	

<b>1982 MERCEDES BENZ</b>			
200	2.0L L4 F/I	E-2800	
200D	2.0L L4 DSL	E-2800	
200T	2.0L L4 CARB	E-2800	
230E	2.3L L4 CARB	E-2865	
240D	2.4L L4 DSL	E-2800	
300CD	3.0L L5 DSL	E-2870	
300D	3.0L L5 DSL - Non-US	E-2870	
300SD	3.0L L5 DSL	E-2870	
300TD	3.0L L5 DSL	E-2870	
380SEL	3.8L V8 F/I	E-2872	
380SL	3.8L V8 F/I	E-2872	

<b>1981 MERCEDES BENZ</b>			
200	2.0L L4 F/I	E-2800	
200D	2.0L L4 DSL	E-2800	
200T	2.0L L4 CARB	E-2800	
230E	2.3L L4 CARB	E-2865	
240D	2.4L L4 DSL	E-2800	
280CE	2.8L L6 F/I - Non-US	E-9166	
280CE	2.8L L6 F/I - US	E-2861	
280E	2.8L L6 F/I - US	E-2861	
280SE	2.8L L6 F/I - Non-US	E-9166	
280SE	2.8L L6 F/I - US	E-2861	
280SEL	2.8L L6 F/I	E-9166	
280SLC	2.8L L6 F/I	E-2380	
300D	3.0L L5 DSL - Non-US	E-2870	
300D	3.0L L5 DSL - US	E-2800	
300SD	3.0L L5 DSL	E-2870	
300TD	3.0L L5 DSL	E-2870	
380SL	3.8L V8 F/I	E-2872	
380SLC	3.8L V8 F/I	E-2872	
500SEC	5.0L V8 F/I	E-2872	

<b>1980 MERCEDES BENZ</b>			
200	2.0L L4 CARB	E-2800	
200D	2.0L L4 DSL	E-2800	
200T	2.0L L4 CARB	E-2800	
230C	2.3L L4 CARB	E-2865	
230CE	2.3L L4 F/I	E-2865	
230E	2.3L L4 CARB	E-2865	
230TE	2.3L L4 F/I	E-2865	
240D	2.4L L4 DSL	E-2800	
250T	2.5L L6 F/I	E-3780	
280CE	2.8L L6 F/I - US	E-2861	
280E	2.8L L6 F/I - US	E-2861	
280SE	2.8L L6 F/I - Non-US	E-9166	

\*Indicates 2 filters required

◆ - Intake kit available

Applications updated daily at [knfilters.com](http://knfilters.com) ®

# AIR & OIL FILTERS

# MERCEDES BENZ

Vehicle	Engine Type	Air Filter	Oil Filter
<b>1980 MERCEDES BENZ</b>			
280SE	2.8L L6 F/I - US	E-2861	
280SEL	2.8L L6 F/I	E-9166	
280SL	2.8L L6 F/I	E-2380	
280SLC	2.8L L6 F/I	E-2380	
300D	3.0L L5 DSL - Non-US	E-2870	
300D	3.0L L5 DSL - US	E-2800	
300SD	3.0L L5 DSL	E-2870	
300TD	3.0L L5 DSL	E-2870	
450SL	4.5L V8 F/I	E-2872	
450SLC	4.5L V8 F/I	E-2872	
500SEL	5.0L V8 F/I	E-2872	

Vehicle	Engine Type	Air Filter	Oil Filter
<b>1979 MERCEDES BENZ</b>			
200	2.0L L4 CARB	E-2800	
200D	2.0L L4 DSL	E-2800	
240D	2.4L L4 DSL	E-2800	
250T	2.5L L6 F/I	E-3780	
280CE	2.8L L6 F/I - Non-US	E-9166	
280CE	2.8L L6 F/I - US	E-2861	
280SE	2.8L L6 F/I - US	E-2861	
280SLC	2.8L L6 F/I	E-2380	
300D	3.0L L5 DSL - Non-US	E-2870	
300D	3.0L L5 DSL - US	E-2800	
300SD	3.0L L5 DSL	E-2870	
450SEL	4.5L V8 F/I	E-2872	
450SEL	6.8L V8 F/I - Non-US	E-2872	
450SL	4.5L V8 F/I	E-2872	
450SLC	4.5L V8 F/I	E-2872	

Vehicle	Engine Type	Air Filter	Oil Filter
<b>1978 MERCEDES BENZ</b>			
200D	2.0L L4 DSL	E-2800	
230C	2.3L L4 CARB	E-2865	
240D	2.4L L4 DSL	E-2800	
250	2.5L L6 F/I	E-3780	
250T	2.5L L6 F/I	E-3780	
280CE	2.8L L6 F/I - US	E-2861	
280SE	2.8L L6 F/I - Non-US	E-9166	
280SE	2.8L L6 F/I - US	E-2861	
280SEL	2.8L L6 F/I	E-9166	
280SLC	2.8L L6 F/I	E-2380	
300D	3.0L L5 DSL - Non-US	E-2870	
300D	3.0L L5 DSL - US	E-2800	
450SL	4.5L V8 F/I	E-2872	
450SLC	4.5L V8 F/I	E-2872	

Vehicle	Engine Type	Air Filter	Oil Filter
<b>1977 MERCEDES BENZ</b>			
200	2.0L L4 CARB	E-2800	
200D	2.0L L4 DSL	E-2800	
230	2.3L L4 CARB	E-2865	
230C	2.3L L4 CARB	E-2865	
230T	2.3L L4 F/I	E-2865	
240D	2.4L L4 DSL	E-2800	
250	2.5L L6 F/I	E-3780	
300D	3.0L L5 DSL - Non-US	E-2870	
300D	3.0L L5 DSL - US	E-2800	
450SEL	4.5L V8 F/I	E-2872	
450SL	4.5L V8 F/I	E-2872	
450SLC	4.5L V8 F/I	E-2872	

Vehicle	Engine Type	Air Filter	Oil Filter
<b>1976 MERCEDES BENZ</b>			
200	2.0L L4 CARB	E-2530	
200D	2.0L L4 DSL	E-2800	
230	2.3L L4 CARB - Non-US	E-2865	
230	2.3L L4 CARB - US	E-2530	
230	2.3L L6 CARB	E-2530	

Vehicle	Engine Type	Air Filter	Oil Filter
<b>1976 MERCEDES BENZ</b>			
240D	2.4L L4 DSL	E-2800	
280SE	2.8L L6 F/I	E-9166	
280SEL	2.8L L6 F/I	E-9166	
280SL	2.8L L6 F/I	E-2380	
280SLC	2.8L L6 F/I	E-2380	
300D	3.0L L5 DSL - Non-US	E-2870	
300D	3.0L L5 DSL - US	E-2800	
450SL	4.5L V8 F/I	E-2872	
450SLC	4.5L V8 F/I	E-2872	

Vehicle	Engine Type	Air Filter	Oil Filter
<b>1975 MERCEDES BENZ</b>			
200	2.0L L4 CARB	E-2530	
230	2.3L L4 CARB	E-2530	
230	2.3L L6 CARB	E-2530	
300D	3.0L L5 DSL	E-2380	
450SE	4.5L V8 F/I	E-1650	
450SEL	4.5L V8 F/I	E-1650	
450SL	4.5L V8 F/I - Non-US	E-2872	
450SL	4.5L V8 F/I - US	E-1650	
450SLC	4.5L V8 F/I - Non-US	E-2872	
450SLC	4.5L V8 F/I - US	E-1650	

Vehicle	Engine Type	Air Filter	Oil Filter
<b>1974 MERCEDES BENZ</b>			
230	2.3L L4 CARB	E-2530	
230	2.3L L6 CARB	E-2530	
280C	2.8L L6 CARB	E-2380	
280CE	2.8L L6 F/I	E-2380	
280SE	2.8L L6 F/I	E-2380	
280SEL	2.8L L6 F/I	E-2380	
450SE	4.5L V8 F/I	E-1650	
450SEL	4.5L V8 F/I	E-1650	
450SL	4.5L V8 F/I - Non-US	E-2872	
450SL	4.5L V8 F/I - US	E-1650	
450SLC	4.5L V8 F/I - Non-US	E-2872	
450SLC	4.5L V8 F/I - US	E-1650	

Vehicle	Engine Type	Air Filter	Oil Filter
<b>1973 MERCEDES BENZ</b>			
250C	2.8L L6 CARB	E-3780	
280C	2.8L L6 CARB	E-2380	
280CE	2.8L L6 F/I	E-2380	
280E	2.8L L6 F/I	E-2380	
280SE	2.8L L6 F/I	E-2380	
280SEL	2.8L L6 F/I	E-2380	
280SEL	4.5L V8 F/I	E-1650	
450SEL	4.5L V8 F/I	E-1650	
450SL	4.5L V8 F/I - Non-US	E-2872	
450SL	4.5L V8 F/I - US	E-1650	
450SLC	4.5L V8 F/I - Non-US	E-2875	
450SLC	4.5L V8 F/I - US	E-1650	

Vehicle	Engine Type	Air Filter	Oil Filter
<b>1972 MERCEDES BENZ</b>			
230	2.3L L6 CARB	E-2530	
280SEL	4.5L V8 F/I	E-1650	
350SL	3.5L L6 F/I	E-2872	
350SLC	3.5L V8 F/I	E-2872	

Vehicle	Engine Type	Air Filter	Oil Filter
<b>1971 MERCEDES BENZ</b>			
300SEL	3.5L V8 F/I	E-1650	

Vehicle	Engine Type	Air Filter	Oil Filter
<b>1970 MERCEDES BENZ</b>			
230	2.3L L6 CARB	E-2530	
250C	2.5L L6 CARB	E-3780	
250CE	2.5L L6 CARB	E-3780	
300SEL	3.5L V8 F/I	E-1650	

Vehicle	Engine Type	Air Filter	Oil Filter
<b>1968 MERCEDES BENZ</b>			
250S	2.5L L6 CARB	E-3780	

\*Indicates 2 filters required    ♦ - Intake kit available    Applications updated daily at [knfilters.com](http://knfilters.com) ®

Partial Listing - Complete List of Vehicles and Applications at [knfilters.com](http://knfilters.com)

# MERCEDES BENZ

# AIR & OIL FILTERS

Vehicle	Engine Type	Air Filter	Oil Filter
---------	-------------	------------	------------

## 1967 MERCEDES BENZ

230SL	2.3L L6 CARB	E-2530	
-------	--------------	--------	--

## 1966 MERCEDES BENZ

230SL	2.3L L6 CARB	E-2530	
-------	--------------	--------	--

## 1965 MERCEDES BENZ

230SL	2.3L L6 CARB	E-2530	
-------	--------------	--------	--

## 2011 MERCURY

Grand Marquis	4.6L V8 F/I	33-2272	HP-2010
Mariner	2.5L L4 F/I	33-2187	HP-1002
Mariner	3.0L V6 F/I	E-1990	HP-2011
Mariner Hybrid	2.5L L4 F/I	33-2347	HP-1002
Milan	2.5L L4 F/I	33-2357	HP-1002
Milan	3.0L V6 F/I	33-2340	HP-2011

## 2010 MERCURY

Grand Marquis	4.6L V8 F/I	33-2272	HP-2010
Mariner	2.5L L4 F/I	33-2187	HP-1002
Mariner	3.0L V6 F/I	E-1990	HP-2011
Mariner Hybrid	2.5L L4 F/I	33-2347	HP-1002
Milan	2.5L L4 F/I	33-2357	HP-1002
Milan	3.0L V6 F/I	33-2340	HP-2011
Milan Hybrid	2.5L L4 F/I		HP-1002
Mountaineer	4.0L V6 F/I	33-2366	HP-2010
Mountaineer	4.6L V8 F/I	33-2353	HP-2010

## 2009 MERCURY

Grand Marquis	4.6L V8 F/I	33-2272	HP-2010
Mariner	2.5L L4 F/I	33-2187	
Mariner	2.5L L4 F/I - Cartridge	33-2187	HP-7013
Mariner	2.5L L4 F/I - Spin On	33-2187	HP-1002
Mariner	3.0L V6 F/I	E-1990	HP-2011
Mariner Hybrid	2.5L L4 F/I	33-2347	
Mariner Hybrid	2.5L L4 F/I - Cartridge	33-2347	HP-7013
Mariner Hybrid	2.5L L4 F/I - Spin On	33-2347	HP-1002
Milan	2.3L L4 F/I	33-2357	
Milan	2.3L L4 F/I - Cartridge	33-2357	HP-7013
Milan	2.3L L4 F/I - Spin On	33-2357	HP-1002
Milan	3.0L V6 F/I	33-2340	HP-2010
Mountaineer	4.0L V6 F/I	33-2366	HP-2010
Mountaineer	4.6L V8 F/I	33-2353	HP-2010
Sable	3.5L V6 F/I		HP-2009

## 2008 MERCURY

Grand Marquis	4.6L V8 F/I	33-2272	HP-2010
Mariner	2.3L L4 F/I	33-2187	
Mariner	2.3L L4 F/I - Cartridge	33-2187	HP-7013
Mariner	2.3L L4 F/I - Spin On	33-2187	HP-1002
Mariner	3.0L V6 F/I	33-2187	HP-2010
Mariner Hybrid	2.3L L4 F/I	33-2347	
Mariner Hybrid	2.3L L4 F/I - Cartridge	33-2347	HP-7013
Mariner Hybrid	2.3L L4 F/I - Spin On	33-2347	HP-1002
Milan	2.3L L4 F/I	33-2357	
Milan	2.3L L4 F/I - Cartridge	33-2357	HP-7013
Milan	2.3L L4 F/I - Spin On	33-2357	HP-1002
Milan	3.0L V6 F/I	33-2340	HP-2010
Mountaineer	4.0L V6 F/I	33-2366	HP-2010
Mountaineer	4.6L V8 F/I	33-2353	HP-2010
Sable	3.5L V6 F/I	33-2395	HP-2009

## 2007 MERCURY

Grand Marquis	4.6L V8 F/I	33-2272	HP-2010
Mariner	2.3L L4 F/I	33-2187	
Mariner	2.3L L4 F/I - Cartridge	33-2187	HP-7013
Mariner	2.3L L4 F/I - Spin On	33-2187	HP-1002
Mariner	3.0L V6 F/I	33-2187	HP-2010

Vehicle	Engine Type	Air Filter	Oil Filter
---------	-------------	------------	------------

## 2007 MERCURY

Mariner Hybrid	2.3L L4 F/I	33-2347	
Mariner Hybrid	2.3L L4 F/I - Cartridge	33-2347	HP-7013
Mariner Hybrid	2.3L L4 F/I - Spin On	33-2347	HP-1002
Milan	2.3L L4 F/I	33-2357	
Milan	2.3L L4 F/I - Cartridge	33-2357	HP-7013
Milan	2.3L L4 F/I - Spin On	33-2357	HP-1002
Milan	3.0L V6 F/I	33-2340	HP-2010
Montego	3.0L V6 F/I	33-2308	HP-2010
Monterey Van	4.2L V6 F/I	33-2321	HP-2009
Mountaineer	4.0L V6 F/I	33-2366	HP-2010
Mountaineer	4.6L V8 F/I	33-2353	HP-2010

## 2006 MERCURY

Grand Marquis	4.6L V8 F/I	33-2272	HP-2010
Mariner	2.3L L4 F/I	33-2187	
Mariner	2.3L L4 F/I - Cartridge	33-2187	HP-7013
Mariner	2.3L L4 F/I - Spin On	33-2187	HP-1002
Mariner	3.0L V6 F/I	33-2187	HP-2010
Mariner Hybrid	2.3L L4 F/I	33-2347	
Mariner Hybrid	2.3L L4 F/I - Cartridge	33-2347	HP-7013
Mariner Hybrid	2.3L L4 F/I - Spin On	33-2347	HP-1002
Milan	2.3L L4 F/I	33-2357	
Milan	2.3L L4 F/I - Cartridge	33-2357	HP-7013
Milan	2.3L L4 F/I - Spin On	33-2357	HP-1002
Milan	3.0L V6 F/I	33-2340	HP-2010
Montego	3.0L V6 F/I	33-2308	HP-2010
Monterey Van	4.2L V6 F/I	33-2321	HP-2009
Mountaineer	4.0L V6 F/I	33-2366	HP-2010
Mountaineer	4.6L V8 F/I	33-2353	HP-2010

## 2005 MERCURY

Grand Marquis	4.6L V8 F/I	33-2272	HP-2010
Mariner	2.3L L4 F/I	33-2187	
Mariner	2.3L L4 F/I - Cartridge	33-2187	HP-7013
Mariner	2.3L L4 F/I - Spin On	33-2187	HP-1002
Mariner	3.0L V6 F/I	33-2187	HP-2010
Montego	3.0L V6 F/I	33-2308	HP-2010
Monterey Van	4.2L V6 F/I	33-2321	HP-2009
Mountaineer	4.0L V6 F/I	33-2207	HP-2010
Mountaineer	4.6L V8 F/I	33-2207 ♦	HP-2010
Sable	3.0L V6 F/I - VIN S, VIN 2	33-2150	HP-2010
Sable	3.0L V6 F/I - VIN U	33-2150	HP-2009

## 2004 MERCURY

Grand Marquis	4.6L V8 F/I	33-2272	HP-2010
Marauder	4.6L V8 F/I	33-2272 ♦	HP-2010
Monterey Van	4.2L V6 F/I		HP-2009
Mountaineer	4.0L V6 F/I	33-2207	HP-2010
Mountaineer	4.6L V8 F/I	33-2207 ♦	HP-2010
Sable	3.0L V6 F/I - DOHC	33-2150	HP-2010
Sable	3.0L V6 F/I - VIN S, VIN 2	33-2150	HP-2010
Sable	3.0L V6 F/I - VIN U	33-2150	HP-2009

## 2003 MERCURY

Grand Marquis	4.6L V8 F/I	33-2272	HP-2010
Marauder	4.6L V8 F/I	33-2272 ♦	HP-2010
Mountaineer	4.0L V6 F/I	33-2207 ♦	HP-2010
Mountaineer	4.6L V8 F/I	33-2207 ♦	HP-2010
Sable	3.0L V6 F/I - DOHC	33-2150	HP-2010
Sable	3.0L V6 F/I - VIN S, VIN 2	33-2150	HP-2010
Sable	3.0L V6 F/I - VIN U	33-2150	HP-2009

## 2002 MERCURY

Cougar	2.0L L4 F/I	33-2132	HP-1012
Cougar	2.5L V6 F/I	33-2115-1	HP-2010

\*Indicates 2 filters required

♦ - Intake kit available

Applications updated daily at [knfilters.com](http://knfilters.com) ®

# AIR & OIL FILTERS

# MERCURY

Vehicle	Engine Type	Air Filter	Oil Filter
<b>2002 MERCURY</b>			
Grand Marquis	4.6L V8 F/I	33-2272	HP-2010
Mountaineer	4.0L V6 F/I	33-2207 ♦	HP-2010
Mountaineer	4.6L V8 F/I	33-2207 ♦	HP-2010
Sable	3.0L V6 F/I - DOHC	33-2150	HP-2010
Sable	3.0L V6 F/I - VIN S	33-2150	HP-2010
Sable	3.0L V6 F/I - VIN U	33-2150	HP-2009
Villager Van	3.3L V6 F/I	33-2091-1	HP-1010

Vehicle	Engine Type	Air Filter	Oil Filter
<b>2001 MERCURY</b>			
Cougar	2.0L L4 F/I	33-2132	HP-1012
Cougar	2.5L V6 F/I	33-2115-1 ♦	HP-2010
Grand Marquis	4.6L V8 F/I	33-2272	HP-2010
Mountaineer	4.0L V6 F/I	33-2106-1	HP-2010
Mountaineer	4.0L V6 F/I - 22mm Thread	33-2106-1	HP-2010
Mountaineer	4.0L V6 F/I - 3/4 thread	33-2106-1	HP-3001
Mountaineer	5.0L V8 F/I	33-2106-1	HP-2010
Sable	3.0L V6 F/I - VIN S, VIN 2	33-2150	HP-2010
Sable	3.0L V6 F/I - VIN U	33-2150	HP-2009
Villager Van	3.3L V6 F/I	33-2091-1	HP-1010

Vehicle	Engine Type	Air Filter	Oil Filter
<b>2000 MERCURY</b>			
Cougar	2.0L L4 F/I	33-2132	HP-1012
Cougar	2.5L V6 F/I	33-2115-1 ♦	HP-2010
Grand Marquis	4.6L V8 F/I	33-2272	HP-2010
Mountaineer	4.0L V6 F/I	33-2106-1	HP-3001
Mountaineer	5.0L V8 F/I	33-2106-1	HP-2010
Mystique	2.0L L4 F/I	33-2132	HP-1012
Mystique	2.5L V6 F/I	33-2115-1	HP-2010
Sable	3.0L V6 F/I - VIN S	33-2150	HP-2010
Sable	3.0L V6 F/I - VIN U	33-2150	HP-2009
Villager Van	3.3L V6 F/I	33-2091-1	HP-1010

Vehicle	Engine Type	Air Filter	Oil Filter
<b>1999 MERCURY</b>			
Cougar	2.0L L4 F/I	33-2132	HP-1012
Cougar	2.5L V6 F/I	33-2115-1	HP-2010
Grand Marquis	4.6L V8 F/I	33-2272	HP-2010
Mountaineer	4.0L V6 F/I	33-2106-1	HP-3001
Mountaineer	5.0L V8 F/I	33-2106-1	HP-2010
Mystique	2.0L L4 F/I	33-2132	HP-1012
Mystique	2.5L V6 F/I	33-2115-1	HP-2010
Sable	3.0L V6 F/I - VIN S	33-2107	HP-2010
Sable	3.0L V6 F/I - VIN U	33-2107	HP-2009
Tracer	2.0L L4 F/I	E-0995	HP-2009
Villager Van	3.3L V6 F/I	33-2091-1	HP-1010

Vehicle	Engine Type	Air Filter	Oil Filter
<b>1998 MERCURY</b>			
Grand Marquis	4.6L V8 F/I	33-2272	HP-2010
Mountaineer	4.0L V6 F/I		HP-3001
Mountaineer	4.0L V6 F/I - w/Panel Filter	33-2106-1	HP-3001
Mountaineer	4.0L V6 F/I - w/Round Filter	E-0996	HP-3001
Mountaineer	5.0L V8 F/I		HP-2010
Mountaineer	5.0L V8 F/I - w/Panel Filter	33-2106-1	HP-2010
Mountaineer	5.0L V8 F/I - w/Round Filter	E-0996	HP-2010
Mystique	2.0L L4 F/I	33-2132	HP-1012
Mystique	2.5L V6 F/I	33-2115-1	HP-2010
Sable	3.0L V6 F/I - VIN S	33-2107	HP-2010
Sable	3.0L V6 F/I - VIN U	33-2107	HP-2009
Tracer	2.0L L4 F/I	E-0995	HP-2009
Villager Van	3.0L V6 F/I	33-2091-1	HP-2008

Vehicle	Engine Type	Air Filter	Oil Filter
<b>1997 MERCURY</b>			
Cougar	3.8L V6 F/I	33-2033 ♦	HP-2009
Cougar	4.6L V8 F/I	33-2033 ♦	HP-2010

Vehicle	Engine Type	Air Filter	Oil Filter
<b>1997 MERCURY</b>			
Grand Marquis	4.6L V8 F/I	33-2272	HP-2010
Mountaineer	5.0L V8 F/I		HP-2010
Mountaineer	5.0L V8 F/I - w/Panel Filter	33-2106-1 ♦	HP-2010
Mountaineer	5.0L V8 F/I - w/Round Filter	E-0996 ♦	HP-2010
Mystique	2.0L L4 F/I	33-2132	HP-2004
Mystique	2.5L V6 F/I	33-2115-1	HP-2010
Sable	3.0L V6 F/I - VIN S	33-2107	HP-2010
Sable	3.0L V6 F/I - VIN U	33-2107	HP-2009
Tracer	2.0L L4 F/I	E-0995	HP-2009
Villager Van	3.0L V6 F/I	33-2091-1	HP-2008

Vehicle	Engine Type	Air Filter	Oil Filter
<b>1996 MERCURY</b>			
Cougar	3.8L V6 F/I	33-2033 ♦	HP-2009
Cougar	4.6L V8 F/I	33-2033 ♦	HP-2010
Grand Marquis	4.6L V8 F/I	33-2272	HP-2010
Mystique	2.0L L4 F/I	33-2132	HP-2004
Mystique	2.5L V6 F/I	33-2115-1	HP-2010
Sable	3.0L V6 F/I - VIN S	33-2107	HP-2010
Sable	3.0L V6 F/I - VIN U	33-2107	HP-2009
Tracer	1.9L L4 F/I	33-2126	HP-2009
Villager Van	3.0L V6 F/I	33-2091-1	HP-2008

Vehicle	Engine Type	Air Filter	Oil Filter
<b>1995 MERCURY</b>			
Cougar	3.8L V6 F/I	33-2033 ♦	HP-2009
Cougar	4.6L V8 F/I	33-2033 ♦	HP-2010
Grand Marquis	4.6L V8 F/I	33-2272	HP-2010
Mystique	2.0L L4 F/I	33-2132	HP-2004
Mystique	2.5L V6 F/I	33-2115-1	HP-2010
Sable	3.0L V6 F/I	33-2024	HP-2009
Sable	3.8L V6 F/I	33-2024	HP-2009
Tracer	1.8L L4 F/I	33-2034	HP-1008
Tracer	1.9L L4 F/I	33-2126	HP-2009
Villager Van	3.0L V6 F/I	33-2091-1	HP-2008

Vehicle	Engine Type	Air Filter	Oil Filter
<b>1994 MERCURY</b>			
Capri	1.6L L4 F/I	33-2027	HP-1008
Cougar	3.8L V6 F/I	33-2033 ♦	HP-2009
Cougar	4.6L V8 F/I	33-2033 ♦	HP-2010
Grand Marquis	4.6L V8 F/I	33-2272	HP-2010
Sable	3.0L V6 F/I	33-2024	HP-2009
Sable	3.8L V6 F/I	33-2024	HP-2009
Topaz	2.3L L4 F/I	33-2107	HP-2004
Topaz	3.0L V6 F/I		HP-2009
Tracer	1.8L L4 F/I	33-2034	HP-1008
Tracer	1.9L L4 F/I	33-2126	HP-2009
Villager Van	3.0L V6 F/I	33-2091-1	HP-2008

Vehicle	Engine Type	Air Filter	Oil Filter
<b>1993 MERCURY</b>			
Capri	1.6L L4 F/I	33-2027	HP-1008
Cougar	3.8L V6 F/I	33-2033 ♦	HP-2009
Cougar	5.0L V8 F/I	33-2033 ♦	HP-3001
Grand Marquis	4.6L V8 F/I	33-2272	HP-2010
Sable	3.0L V6 F/I	33-2024	HP-2009
Sable	3.8L V6 F/I	33-2024	HP-2009
Topaz	2.3L L4 F/I	33-2107	HP-2004
Topaz	3.0L V6 F/I		HP-2009
Tracer	1.8L L4 F/I	33-2034	HP-1008
Tracer	1.9L L4 F/I	33-2126	HP-2009
Villager Van	3.0L V6 F/I	33-2091-1	HP-2008

Vehicle	Engine Type	Air Filter	Oil Filter
<b>1992 MERCURY</b>			
Capri	1.6L L4 F/I	33-2027	HP-1008
Cougar	3.8L V6 F/I	33-2033 ♦	HP-2009
Cougar	5.0L V8 F/I	33-2033 ♦	HP-3001
Grand Marquis	4.6L V8 F/I	33-2272	HP-2010

\*Indicates 2 filters required      ♦ - Intake kit available      Applications updated daily at [knfilters.com](http://knfilters.com) ®

Partial Listing - Complete List of Vehicles and Applications at [knfilters.com](http://knfilters.com)

# MERCURY

# AIR & OIL FILTERS

Vehicle	Engine Type	Air Filter	Oil Filter
<b>1992 MERCURY</b>			
Sable	3.0L V6 F/I	33-2024	HP-2009
Sable	3.8L V6 F/I	33-2024	HP-2009
Topaz	2.3L L4 F/I	33-2107	HP-2004
Topaz	3.0L V6 F/I		HP-2009
Tracer	1.8L L4 F/I	33-2034	HP-1008
Tracer	1.9L L4 F/I	33-2126	HP-2009
<b>1991 MERCURY</b>			
Capri	1.6L L4 F/I	33-2027	HP-1008
Colony Park	5.0L V8 F/I		HP-3001
Cougar	3.8L V6 F/I	33-2033 ♦	HP-2009
Cougar	5.0L V8 F/I	33-2033 ♦	HP-3001
Grand Marquis	5.0L V8 F/I	33-2195	HP-3001
Sable	3.0L V6 F/I	33-2024	HP-2009
Sable	3.8L V6 F/I	33-2024	HP-2009
Topaz	2.3L L4 F/I	33-2044	HP-3001
Tracer	1.8L L4 F/I	33-2034	HP-1008
Tracer	1.9L L4 F/I	33-2126	HP-2009
<b>1990 MERCURY</b>			
Cougar	3.8L V6 F/I	33-2033	HP-2009
Grand Marquis	5.0L V8 F/I	33-2195	HP-3001
Sable	3.0L V6 F/I	33-2024	HP-2009
Topaz	2.3L L4 F/I	33-2044	HP-3001
<b>1989 MERCURY</b>			
Colony Park	5.0L V8 F/I	33-2012	HP-3001
Cougar	3.8L V6 F/I	33-2033	HP-2009
Grand Marquis	5.0L V8 F/I	33-2195	HP-3001
Grand Marquis	5.8L V8 CARB		HP-2004
Sable	3.0L V6 F/I	33-2024	HP-2009
Topaz	2.3L L4 F/I	33-2044	HP-3001
Tracer	1.6L L4 F/I	33-2027	HP-1004
<b>1988 MERCURY</b>			
Colony Park	5.0L V8 F/I	33-2012	HP-3001
Cougar	3.8L V6 F/I	33-2015	HP-2009
Cougar	5.0L V8 F/I	33-2015	HP-3001
Grand Marquis	5.0L V8 F/I	33-2195	HP-3001
Topaz	2.3L L4 F/I	33-2044	HP-3001
<b>1987 MERCURY</b>			
Colony Park	5.0L V8 F/I		HP-3001
Cougar	3.8L V6 F/I	E-1325	HP-2009
Cougar	3.8L V6 TBI	E-1325	HP-3001
Cougar	5.0L V8 F/I	33-2015	HP-3001
Grand Marquis	5.0L V8 F/I	33-2195	HP-3001
Topaz	2.3L L4 F/I	33-2044	HP-3001
<b>1986 MERCURY</b>			
Capri	5.0L V8 F/I	33-2015	HP-3001
Cougar	2.3L L4 F/I	E-1931	HP-2004
Cougar	3.8L V6 F/I	E-1325	HP-3001
Cougar	5.0L V8 F/I	33-2015	HP-3001
Grand Marquis	5.0L V8 F/I	33-2195	HP-3001
Sable	3.0L V6 F/I	33-2024	HP-2009
<b>1985 MERCURY</b>			
Capri	5.0L V8 CARB	E-1535	HP-3001
Capri	5.0L V8 F/I		HP-3001
Cougar	2.3L L4 F/I	E-1931	HP-2004
Cougar	3.8L V6 F/I	E-1325	HP-3001
Cougar	5.0L V8 F/I	E-1290	HP-3001
Grand Marquis	5.0L V8 F/I	E-1290	HP-3001
Grand Marquis	5.8L V8 CARB - w/o oil cooler		HP-3001
Grand Marquis	5.8L V8 CARB - w/oil cooler		HP-2004

Vehicle	Engine Type	Air Filter	Oil Filter
<b>1985 MERCURY</b>			
Marquis	3.8L V6 F/I	E-1325	HP-3001
Marquis	5.0L V8 F/I - w/o oil cooler		HP-3001
<b>1984 MERCURY</b>			
Capri	5.0L V8 CARB	E-1535	HP-3001
Cougar	3.8L V6 F/I	E-1325	HP-3001
Grand Marquis	5.0L V8 F/I	E-1290	HP-3001
Grand Marquis	5.8L V8 CARB	E-1290	HP-3001
<b>1983 MERCURY</b>			
Capri	5.0L V8 CARB	E-1535	HP-3001
Cougar	5.0L V8 F/I	E-1290	HP-3001
Grand Marquis	5.0L V8 CARB		HP-2004
Grand Marquis	5.0L V8 F/I	E-1290	HP-3001
<b>1982 MERCURY</b>			
Capri	5.0L V8 CARB	E-1290	HP-3001
Grand Marquis	5.0L V8 CARB		HP-3001
<b>1979 MERCURY</b>			
Cougar	302 V8 CARB	E-1290	HP-3001
Cougar	351 V8 CARB	E-1290	HP-3001
<b>1978 MERCURY</b>			
Cougar	351 V8 CARB	E-1290	HP-3001
Zephyr	200 L6 CARB		HP-3001
<b>1977 MERCURY</b>			
Comet	250 L6 CARB		HP-3001
Cougar	351 V8 CARB	E-1290	HP-3001
Monarch	302 V8 CARB	E-1180	HP-3001
<b>1976 MERCURY</b>			
Capri	173 V6 2 BBL.	E-1350	HP-2004
Comet	250 L6 CARB	E-1200	HP-3001
<b>1975 MERCURY</b>			
Cougar	351 V8 CARB		HP-3001
<b>1973 MERCURY</b>			
Cougar	351 V8 2 BBL.		HP-3001
Cougar	351 V8 4 BBL.	E-1580	HP-3001
<b>1972 MERCURY</b>			
Comet	302 V8 CARB	E-1300	HP-3001
Cougar	351 V8 2 BBL.	E-1300	HP-3001
Cougar	351 V8 4 BBL.	E-1570	HP-3001
<b>1971 MERCURY</b>			
Cougar	351 V8 CARB		HP-3001
<b>1970 MERCURY</b>			
Cougar	351 V8 CARB	E-1570	HP-3001
Cyclone	429 V8 CARB		HP-3001
<b>1969 MERCURY</b>			
Cougar	351 V8 CARB	E-1570	HP-3001
Cougar	390 V8 CARB	E-1570	HP-3001
<b>1968 MERCURY</b>			
Cougar	302 V8 CARB	E-1570	HP-3001
Cougar	390 V8 CARB	E-1570	HP-3001
Cougar	427 V8 CARB		HP-3001
Montego	302 V8 CARB	E-1570	HP-3001
<b>1967 MERCURY</b>			
Cougar	289 V8 CARB		HP-3001
Cougar	390 V8 CARB		HP-3001
<b>1965 MERCURY</b>			
Comet	289 V8 CARB		HP-3001

\*Indicates 2 filters required

♦ - Intake kit available

Applications updated daily at [knfilters.com](http://knfilters.com) ®

# AIR & OIL FILTERS

# MERCURY

Vehicle	Engine Type	Air Filter	Oil Filter
<b>1964 MERCURY</b>			
Comet	289 V8 CARB		HP-3001
Marauder	390 V8 CARB		HP-3001
<b>1963 MERCURY</b>			
Monterey	390 V8 CARB		HP-3001
<b>1989 MERKUR</b>			
XR4Ti	2.3L L4 F/I	E-1931	HP-3001
<b>1988 MERKUR</b>			
Scorpio	2.9L V6 F/I	33-2013	HP-2004
XR4Ti	2.3L L4 F/I	E-1931	HP-3001
<b>1987 MERKUR</b>			
XR4Ti	2.3L L4 F/I	E-1931	HP-3001
<b>1986 MERKUR</b>			
XR4Ti	2.3L L4 F/I	E-1931	HP-3001
<b>1985 MERKUR</b>			
XR4Ti	2.3L L4 F/I	E-1931	HP-3001
<b>2006 MG</b>			
ZT	1.8L L4 F/I	33-2890 ♦	
ZT160	2.5L L4 F/I	33-2890	
ZT180	2.5L L4 F/I	33-2890	
ZT190	2.5L V6 F/I	33-2890 ♦	
ZT260	4.6L V8 F/I	E-0945	
ZT-T160	2.5L V6 F/I	33-2890	
ZT-T180	2.5L V6 F/I	33-2890	
ZT-T190	2.5L V6 F/I	33-2890	
<b>2005 MG</b>			
ZT	1.8L L4 F/I	33-2890 ♦	
ZT160	2.5L L4 F/I	33-2890	
ZT180	2.5L L4 F/I	33-2890	
ZT190	2.5L V6 F/I	33-2890 ♦	
ZT260	4.6L V8 F/I	E-0945	
ZT-T160	2.5L V6 F/I	33-2890	
ZT-T180	2.5L V6 F/I	33-2890	
ZT-T190	2.5L V6 F/I	33-2890	
<b>2004 MG</b>			
ZT	1.8L L4 F/I	33-2890 ♦	
ZT160	2.5L L4 F/I	33-2890	
ZT180	2.5L L4 F/I	33-2890	
ZT190	2.5L V6 F/I	33-2890 ♦	
ZT260	4.6L V8 F/I	E-0945	
ZT-T160	2.5L V6 F/I	33-2890	
ZT-T180	2.5L V6 F/I	33-2890	
ZT-T190	2.5L V6 F/I	33-2890	
<b>2003 MG</b>			
ZT	1.8L L4 F/I	33-2890 ♦	
ZT160	2.5L L4 F/I	33-2890	
ZT180	2.5L L4 F/I	33-2890	
ZT190	2.5L V6 F/I	33-2890 ♦	
ZT260	4.6L V8 F/I	E-0945	
ZT-T160	2.5L V6 F/I	33-2890	
ZT-T180	2.5L V6 F/I	33-2890	
ZT-T190	2.5L V6 F/I	33-2890	
<b>2002 MG</b>			
ZR160	1.8L L4 F/I	33-2761 ♦	
ZS120	1.8L L4 F/I	33-2761 ♦	
ZT160	2.5L L4 F/I	33-2890	
ZT190	2.5L V6 F/I	33-2890 ♦	
ZT-T160	2.5L V6 F/I	33-2890	
ZT-T190	2.5L V6 F/I	33-2890	

Vehicle	Engine Type	Air Filter	Oil Filter
<b>2001 MG</b>			
ZR160	1.8L L4 F/I	33-2761 ♦	
ZS120	1.8L L4 F/I	33-2761 ♦	
ZT160	2.5L L4 F/I	33-2890	
ZT190	2.5L V6 F/I	33-2890 ♦	
ZT-T160	2.5L V6 F/I	33-2890	
ZT-T190	2.5L V6 F/I	33-2890	
<b>1980 MG</b>			
MGB	1.8L L4 CARB	E-2401	HP-1002
<b>1979 MG</b>			
MGB	1.8L L4 CARB	E-2401	HP-1002
<b>1978 MG</b>			
MGB	1.8L L4 CARB	E-2401	HP-1002
<b>1977 MG</b>			
MGB	1.8L L4 CARB	E-2401	HP-1002
MGB	216 V8 F/I		HP-2004
<b>1976 MG</b>			
MGB	1.8L L4 CARB	E-2401	HP-1002
MGB	216 V8 F/I		HP-2004
<b>1975 MG</b>			
MGB	1.8L L4 CARB	E-2401	HP-1002
MGB	216 V8 F/I		HP-2004
<b>1974 MG</b>			
MGB	1.8L L4 CARB	E-2400*	HP-2004
Midget	1.3L L4 CARB	E-2230	HP-1002
<b>1973 MG</b>			
MGB	1.8L L4 CARB	E-2400*	HP-2004
Midget	1.3L L4 CARB	E-2230	HP-1002
<b>1972 MG</b>			
MGB	1.8L L4 CARB	E-2400*	HP-2004
Midget	1.3L L4 CARB	E-2230	HP-1002
<b>1971 MG</b>			
MGB	1.8L L4 CARB	E-2400*	HP-2004
Midget	1.3L L4 CARB	E-2230	HP-1002
<b>1970 MG</b>			
MGB	1.8L L4 CARB	E-2400*	
Midget	1.3L L4 CARB	E-2230	
<b>1969 MG</b>			
Midget	1.3L L4 CARB	E-2230	
<b>1968 MG</b>			
Midget	1.3L L4 CARB	E-2230	
<b>1967 MG</b>			
Midget	1.3L L4 CARB	E-2230	
<b>1966 MG</b>			
Midget	1.1L L4 CARB	E-2230	
<b>1965 MG</b>			
Midget	1.1L L4 CARB	E-2230	
<b>2011 MINI</b>			
Cooper	1.6L L4 F/I - US	33-2386	
Cooper Clubman	1.6L L4 F/I - US	33-2386	
Cooper John Cooper Works	1.6L L4 F/I	33-2936	
Cooper John Cooper Works Clubman	1.6L L4 F/I	33-2936	
Cooper S	1.6L L4 F/I - US	33-2936	
Cooper S Clubman	1.6L L4 F/I - US	33-2936	

\*Indicates 2 filters required

♦ - Intake kit available

Applications updated daily at [knfilters.com](http://knfilters.com) ®

Partial Listing - Complete List of Vehicles and Applications at [knfilters.com](http://knfilters.com)

# MINI

# AIR & OIL FILTERS

Vehicle	Engine Type	Air Filter	Oil Filter
<b>2011 MINI</b>			
Countryman Cooper	1.6L L4 F/I - Manual Trans.	33-2941	
Countryman Cooper S	1.6L L4 F/I - Manual Trans.	33-2936	
Countryman One	1.6L L4 F/I - Manual Trans.	33-2941	
<b>2010 MINI</b>			
Cooper	1.6L L4 DSL	33-2929	
Cooper	1.6L L4 F/I - US	33-2386	
Cooper Clubman	1.6L L4 DSL	33-2929	
Cooper Clubman	1.6L L4 F/I - US	33-2386 ♦	
Cooper John Cooper Works	1.6L L4 F/I	33-2936 ♦	
Cooper John Cooper Works Clubman	1.6L L4 F/I	33-2936 ♦	
Cooper S	1.6L L4 F/I - US	33-2936 ♦	
Cooper S Clubman	1.6L L4 F/I - US	33-2936	
Countryman Cooper	1.6L L4 F/I - Manual Trans.	33-2941	
Countryman Cooper S	1.6L L4 F/I - Manual Trans.	33-2936	
Countryman One	1.6L L4 F/I - Manual Trans.	33-2941	
<b>2009 MINI</b>			
Cooper	1.6L L4 DSL	33-2929 ♦	
Cooper	1.6L L4 F/I - US	33-2386	
		33-2386 ♦	
Cooper Clubman	1.6L L4 DSL	33-2929 ♦	
Cooper Clubman	1.6L L4 F/I - US	33-2386 ♦	
Cooper John Cooper Works	1.6L L4 F/I	33-2936	
Cooper John Cooper Works Clubman	1.6L L4 F/I	33-2936	
Cooper S	1.6L L4 F/I - US	33-2936 ♦	
Cooper S Clubman	1.6L L4 F/I - US	33-2936 ♦	
<b>2008 MINI</b>			
Cooper	1.6L L4 DSL	33-2929 ♦	
Cooper	1.6L L4 F/I - Convertible Manual Trans	33-2885	
		33-2885 ♦	
Cooper	1.6L L4 F/I - Non-US, Convertible	33-2885 ♦	
Cooper	1.6L L4 F/I - Non-US, Coupe	33-2941 ♦	
		33-2941 ♦	
Cooper	1.6L L4 F/I - US, Convertible, Auto Trans.	33-2239 ♦	
Cooper	1.6L L4 F/I - US, Coupe	33-2386 ♦	
		33-2386 ♦	
Cooper Clubman	1.6L L4 DSL	33-2929 ♦	
Cooper Clubman	1.6L L4 F/I - Non-US, Manual Trans.	33-2941 ♦	
Cooper Clubman	1.6L L4 F/I - US	33-2386 ♦	
Cooper S	1.6L L4 F/I - US, Convertible	33-2270 ♦	
Cooper S	1.6L L4 F/I - US: Coupe, Non-US:All	33-2936 ♦	
Cooper S Clubman	1.6L L4 F/I - US:ALL, Non-US: Auto Trans	33-2936 ♦	
One	1.4L L4 F/I	33-2941 ♦	
Works	1.6L L4 F/I	33-2936	
<b>2007 MINI</b>			
Cooper	1.6L L4 DSL	33-2929 ♦	

Vehicle	Engine Type	Air Filter	Oil Filter
<b>2007 MINI</b>			
Cooper	1.6L L4 F/I - Convertible Manual Trans	33-2885 ♦	
Cooper	1.6L L4 F/I - Non-US, Convertible, Auto Trans.	33-2885 ♦	
Cooper	1.6L L4 F/I - Non-US, Coupe	33-2941 ♦	
		33-2941 ♦	
Cooper	1.6L L4 F/I - US, Convertible, Auto Trans.	33-2239 ♦	
Cooper	1.6L L4 F/I - US, Coupe	33-2386 ♦	
		33-2386 ♦	
Cooper Clubman	1.6L L4 DSL	33-2929 ♦	
Cooper S	1.6L L4 F/I - Convertible	33-2270 ♦	
Cooper S	1.6L L4 F/I - Coupe	33-2936 ♦	
One	1.4L L4 F/I	33-2941 ♦	
<b>2006 MINI</b>			
Cooper	1.4L L4 F/I	33-2239	
Cooper	1.6L L4 F/I - Auto Trans.	33-2239 ♦	
Cooper	1.6L L4 F/I - from 11/06, Coupe, Non-US	33-2941 ♦	
Cooper	1.6L L4 F/I - US, Manual Trans.	33-2885 ♦	
Cooper S	1.6L L4 F/I	33-2270 ♦	
		33-2270 ♦	
One	1.6L L4 F/I	33-2885 ♦	
One D	1.4L L4 DSL	33-2239 ♦	
<b>2005 MINI</b>			
Cooper	1.4L L4 F/I	33-2239	
Cooper	1.6L L4 F/I - Non-US	33-2885 ♦	
Cooper	1.6L L4 F/I - US, Auto Trans.	33-2239 ♦	
Cooper	1.6L L4 F/I - US, Manual Trans.	33-2885 ♦	
Cooper S	1.6L L4 F/I	33-2270 ♦	
One	1.6L L4 F/I	33-2885 ♦	
One D	1.4L L4 DSL	33-2239 ♦	
<b>2004 MINI</b>			
Cooper	1.4L L4 F/I	33-2239	
Cooper	1.6L L4 F/I - from 8/04, Manual Trans.	33-2885 ♦	
Cooper	1.6L L4 F/I - Non-US, from 8/04	33-2885 ♦	
Cooper	1.6L L4 F/I - to 7/04	33-2239 ♦	
Cooper	1.6L L4 F/I - to 7/04, US, from 8/04, Auto Trans.	33-2239 ♦	
Cooper S	1.6L L4 F/I	33-2270 ♦	
One	1.6L L4 F/I - from 8/04	33-2885 ♦	
One	1.6L L4 F/I - to 7/04	33-2239 ♦	
One D	1.4L L4 DSL	33-2239 ♦	
<b>2003 MINI</b>			
Cooper	1.4L L4 F/I	33-2239	
Cooper	1.6L L4 F/I	33-2239 ♦	
Cooper S	1.6L L4 F/I	33-2270 ♦	
One	1.6L L4 F/I	33-2239 ♦	
One D	1.4L L4 DSL	33-2239 ♦	
<b>2002 MINI</b>			
Cooper	1.6L L4 F/I	33-2239 ♦	
Cooper S	1.6L L4 F/I	33-2270 ♦	
One	1.6L L4 F/I	33-2239 ♦	
<b>2001 MINI</b>			
Cooper	1.6L L4 F/I	33-2239 ♦	

\*Indicates 2 filters required

♦ - Intake kit available

Applications updated daily at [knfilters.com](http://knfilters.com) ®



# AIR & OIL FILTERS

# MINI

Vehicle	Engine Type	Air Filter	Oil Filter	Vehicle	Engine Type	Air Filter	Oil Filter
<b>2001 MINI</b>				<b>2009 MITSUBISHI</b>			
One	1.6L L4 F/I	33-2239 ♦		Eclipse	3.8L V6 F/I	33-2285	HP-1010
<b>2000 MINI</b>				Endeavor	3.8L V6 F/I	33-2285	HP-1010
Cooper	1.6L L4 F/I	33-2239 ♦		Galant	2.4L L4 F/I	33-2285	HP-1004
<b>2011 MITSUBISHI</b>				Galant	3.8L V6 F/I	33-2285	HP-1010
ASX	1.6L L4 F/I	33-2392		Grandis	2.0L L4 DSL	33-2392	
Colt VI	1.1L L3 F/I	33-2881		L200	2.5L L4 DSL	33-2951	
Colt VI	1.3L L4 F/I	33-2881 ♦		Lancer	1.5L L4 F/I	33-2392	
Colt VI	1.5L L4 F/I	33-2881		Lancer	1.8L L4 F/I	33-2392	
Eclipse	2.4L L4 F/I	33-2285	HP-1004	Lancer	2.0L L4 DSL	33-2392	
Eclipse	3.8L V6 F/I	33-2285	HP-1010	Lancer	2.0L L4 F/I	33-2392 ♦	HP-1010
Endeavor	3.8L V6 F/I	33-2285	HP-1010	Lancer	2.4L L4 F/I	33-2392 ♦	HP-1010
Galant	2.4L L4 F/I	33-2285	HP-1004	Lancer Evolution	2.0L L4 F/I	33-2392 ♦	HP-1004
Lancer	2.0L L4 F/I	33-2392	HP-1010	Lancer Ralliart	2.0L L4 F/I	33-2392	HP-1004
Lancer	2.4L L4 F/I	33-2392	HP-1010	Outlander	2.0L L4 DSL	33-2392	
Lancer Evolution	2.0L L4 F/I	33-2392	HP-1004	Outlander	2.0L L4 F/I	33-2105	
Lancer VI	1.6L L4 F/I	33-2392		Outlander	2.2L L4 DSL	33-2392	
Lancer VI	1.8L L4 F/I	33-2392		Outlander	2.4L L4 F/I	33-2392	HP-1004
Lancer VI	2.0L L4 F/I	33-2392		Outlander	3.0L V6 F/I	33-2392	HP-1010
Outlander	2.0L L4 DSL	33-2392		Pajero IV	3.2L V6 DSL	33-2164	
Outlander	2.2L L4 DSL	33-2392		Pajero IV	3.8L V6 F/I	33-2164	
Outlander	2.4L L4 F/I	33-2392	HP-1004	Raider	3.7L V6 F/I	33-2175	HP-2011
Outlander	3.0L V6 F/I	33-2392	HP-1010	<b>2008 MITSUBISHI</b>			
Outlander Sport	2.0L L4 F/I	33-2392	HP-1004	Colt CZC Cabriolet	1.5L L4 F/I	33-2881 ♦	
<b>2010 MITSUBISHI</b>				Colt VI	1.1L L3 F/I	33-2881	
ASX	1.6L L4 F/I	33-2392		Colt VI	1.3L L4 F/I	33-2881 ♦	
Colt VI	1.1L L3 F/I	33-2881		Colt VI	1.5L L4 F/I	33-2881 ♦	
Colt VI	1.3L L4 F/I	33-2881 ♦		Eclipse	2.4L L4 F/I	33-2285	HP-1008
Colt VI	1.5L L4 F/I	33-2881		Eclipse	3.8L V6 F/I	33-2285	HP-1010
Eclipse	2.4L L4 F/I	33-2285	HP-1004	Endeavor	3.8L V6 F/I	33-2285	HP-1010
Eclipse	3.8L V6 F/I	33-2285	HP-1010	Galant	2.4L L4 F/I	33-2285	HP-1004
Endeavor	3.8L V6 F/I	33-2285	HP-1010	Galant	3.8L V6 F/I	33-2285	HP-1010
Galant	2.4L L4 F/I	33-2285	HP-1004	Grandis	2.0L L4 DSL	33-2392	
Galant	3.8L V6 F/I	33-2285	HP-1004	L200	2.5L L4 DSL	33-2951	
Grandis	2.0L L4 DSL	33-2392		Lancer	1.3L L4 F/I	33-2105	
L200	2.4L L4 F/I		HP-1008	Lancer	1.5L L4 F/I	33-2392	
Lancer	1.5L L4 F/I	33-2392		Lancer	1.6L L4 F/I	33-2105	
Lancer	1.8L L4 F/I	33-2392		Lancer	1.8L L4 F/I	33-2392	
Lancer	2.0L L4 DSL	33-2392		Lancer	2.0L L4 DSL	33-2392	
Lancer	2.0L L4 F/I	33-2392	HP-1010	Lancer	2.0L L4 F/I	33-2392 ♦	HP-1010
Lancer	2.4L L4 F/I	33-2392	HP-1010	Lancer Evolution	2.0L L4 F/I	33-2392 ♦	HP-1010
Lancer Evolution	2.0L L4 F/I	33-2392 ♦	HP-1004	Outlander	2.0L L4 DSL	33-2392	
Lancer Evolution	2.0L L4 F/I	33-2392 ♦	HP-1004	Outlander	2.0L L4 F/I	33-2105	
GSR				Outlander	2.2L L4 DSL	33-2392	
Lancer Ralliart	2.0L L4 F/I	33-2392	HP-1004	Outlander	2.4L L4 F/I	33-2392	HP-1004
Lancer VI	1.6L L4 F/I	33-2392		Outlander	3.0L V6 F/I	33-2392	HP-1010
Montero	3.8L V6 F/I		HP-1004	Pajero IV	3.2L V6 DSL	33-2164	
Montero Sport	3.5L V6 F/I		HP-1004	Pajero IV	3.8L V6 F/I	33-2164	
Montero Sport	3.8L V6 F/I		HP-1004	Raider	3.7L V6 F/I	33-2175 ♦	HP-2009
Outlander	2.0L L4 DSL	33-2392		Raider	4.7L V8 F/I	33-2175	HP-2004
Outlander	2.0L L4 F/I	33-2392		Triton	2.5L L4 DSL	33-2951	
Outlander	2.2L L4 DSL	33-2392		<b>2007 MITSUBISHI</b>			
Outlander	2.4L L4 F/I	33-2392	HP-1004	Colt CZC Cabriolet	1.5L L4 F/I	33-2881 ♦	
Outlander	3.0L V6 F/I	33-2392	HP-1010	Colt VI	1.1L L3 F/I	33-2881	
Pajero IV	3.2L V6 DSL	33-2164		Colt VI	1.3L L4 F/I	33-2881 ♦	
Pajero IV	3.8L V6 F/I	33-2164		Colt VI	1.5L L3 DSL	33-2881	
Raider	3.7L V6 F/I	33-2175		Colt VI	1.5L L4 F/I	33-2881 ♦	
<b>2009 MITSUBISHI</b>				Eclipse	2.4L L4 F/I	33-2285	HP-1008
Colt CZC Cabriolet	1.5L L4 F/I	33-2881		Eclipse	3.8L V6 F/I	33-2285	HP-1010
Colt VI	1.1L L3 F/I	33-2881		Endeavor	3.8L V6 F/I	33-2285	HP-1010
Colt VI	1.3L L4 F/I	33-2881 ♦		Galant	2.4L L4 F/I	33-2285	HP-1010
Colt VI	1.5L L4 F/I	33-2881		Galant	3.8L V6 F/I	33-2285	HP-1010
Eclipse	2.4L L4 F/I	33-2285	HP-1004	Grandis	2.0L L4 DSL	33-2392	
				L200	2.5L L4 DSL	33-2951	

\*Indicates 2 filters required

♦ - Intake kit available

Applications updated daily at [knfilters.com](http://knfilters.com) ®

**Partial Listing - Complete List of Vehicles and Applications at [knfilters.com](http://knfilters.com)**

# MITSUBISHI

# AIR & OIL FILTERS

Vehicle	Engine Type	Air Filter	Oil Filter
<b>2007 MITSUBISHI</b>			
Lancer	1.3L L4 F/I	33-2105	
Lancer	1.6L L4 F/I	33-2105	
Lancer	2.0L L4 F/I	33-2105	
Lancer	2.0L L4 F/I - exc. Turbo, Non-US	33-2105	HP-1008
Lancer	2.4L L4 F/I	33-2105	HP-1004
Lancer Evolution	2.0L L4 F/I	33-2105	
Lancer Evolution	2.0L L4 F/I - Turbo	33-2105	HP-1010
Montero	3.8L V6 F/I	33-2164	
Outlander	2.0L L4 DSL	33-2392	
Outlander	2.0L L4 F/I	33-2105	
Outlander	2.2L L4 DSL	33-2392	
Outlander	2.4L L4 F/I - from 3/07	33-2392	
Outlander	2.4L L4 F/I - to 2/07	33-2105	
Outlander	3.0L V6 F/I	33-2392	HP-1008
Pajero III	3.2L L4 DSL	33-2164	
Pajero IV	3.8L V6 F/I	33-2164	
Raider	3.7L V6 F/I	33-2175 ♦	HP-2009
Raider	4.7L V8 F/I	33-2175 ♦	HP-2004

<b>2006 MITSUBISHI</b>			
Carisma	1.6L L4 F/I	33-2763	
Carisma	1.8L L4 F/I	33-2763	
Carisma	1.9L L4 DSL	33-2763	
Colt CZC Cabriolet	1.5L L4 F/I	33-2881 ♦	
Colt VI	1.1L L3 F/I	33-2881	
Colt VI	1.3L L4 F/I	33-2881 ♦	
Colt VI	1.5L L3 DSL	33-2881	
Colt VI	1.5L L4 F/I	33-2881 ♦	
Eclipse	2.4L L4 F/I	33-2285	HP-1008
Eclipse	3.8L V6 F/I	33-2285 ♦	HP-1010
Endeavor	3.8L V6 F/I	33-2285	HP-1010
Galant	2.4L L4 F/I	33-2285	HP-1008
Galant	3.8L V6 F/I	33-2285	HP-1010
L200	2.5L L4 DSL - From 5/06	33-2951 ♦	
Lancer	1.3L L4 F/I	33-2105	
Lancer	1.6L L4 F/I	33-2105	
Lancer	2.0L L4 F/I	33-2105 ♦	HP-1008
Lancer	2.4L L4 F/I	33-2105	HP-1008
Lancer Evolution	2.0L L4 F/I	33-2105 ♦	HP-1010
Montero	3.8L V6 F/I	33-2164	HP-1004
Outlander	2.0L L4 F/I	33-2105	
Outlander	2.4L L4 F/I	33-2105	HP-1008
Pajero III	3.2L L4 DSL	33-2164	
Raider	3.7L V6 F/I	33-2175 ♦	HP-2009
Raider	4.7L V8 F/I	33-2175 ♦	HP-2004

<b>2005 MITSUBISHI</b>			
Carisma	1.6L L4 F/I	33-2763	
Carisma	1.8L L4 F/I	33-2763	
Carisma	1.9L L4 DSL	33-2763	
Colt V	1.3L L4 F/I	33-2105	
Colt VI	1.1L L3 F/I	33-2881	
Colt VI	1.3L L4 F/I	33-2881 ♦	
Colt VI	1.5L L3 DSL	33-2881	
Colt VI	1.5L L4 F/I	33-2881 ♦	
Eclipse	2.4L L4 F/I	33-2072	HP-1010
		33-2072 ♦	HP-1010
Eclipse	3.0L V6 F/I	33-2072 ♦	HP-1004
Eclipse GT	3.0L V6 F/I	33-2072 ♦	HP-1004
Endeavor	3.8L V6 F/I	33-2285	HP-1010
Galant	2.4L L4 F/I	33-2285	HP-1010
Galant	3.8L V6 F/I	33-2285	HP-1010
Galloper	2.5L L4 DSL	E-4810	
Galloper	3.0L V6 F/I	33-2045	

Vehicle	Engine Type	Air Filter	Oil Filter
<b>2005 MITSUBISHI</b>			
Lancer	1.3L L4 F/I	33-2105	
Lancer	1.6L L4 F/I	33-2105	
Lancer	2.0L L4 F/I	33-2105 ♦	HP-1008
Lancer Evolution	2.0L L4 F/I	33-2105 ♦	HP-1010
Lancer Ralliart	2.4L L4 F/I	33-2105	HP-1008
Montero	3.8L V6 F/I	33-2164	HP-1004
Outlander	2.0L L4 F/I	33-2105	
Outlander	2.4L L4 F/I	33-2105	HP-1008
Pajero Classic	2.5L L4 DSL	38-9207	
Pajero Classic	3.2L L4 DSL	33-2164	
Pajero III	3.2L L4 DSL	33-2164	
Pajero Sport	2.5L L4 DSL	38-9207	
Pajero Sport	3.0L V6 F/I	33-2045	
Santamo	2.0L L4 F/I	E-2875	
Space Wagon	2.4L L4 F/I	33-2794	

<b>2004 MITSUBISHI</b>			
Carisma	1.6L L4 F/I	33-2763	
Carisma	1.8L L4 F/I	33-2763	
Carisma	1.9L L4 DSL	33-2763	
Colt V	1.3L L4 F/I	33-2105	
Colt V	1.6L L4 F/I	33-2105	
Colt VI	1.1L L3 F/I	33-2881	
Colt VI	1.3L L4 F/I	33-2881 ♦	
Colt VI	1.5L L3 DSL	33-2881	
Colt VI	1.5L L4 F/I	33-2881 ♦	
Diamante	3.5L V6 F/I	33-2151	HP-1010
Eclipse	2.4L L4 F/I	33-2072	HP-1010
		33-2072 ♦	HP-1010
Eclipse	3.0L V6 F/I	33-2072 ♦	HP-1004
Eclipse GT	3.0L V6 F/I	33-2072 ♦	HP-1004
Endeavor	3.8L V6 F/I	33-2285	HP-1010
Galant	2.4L L4 F/I	33-2285	HP-1010
Galant	3.8L V6 F/I	33-2285	HP-1010
Galant IV	2.4L L4 F/I	33-2794	HP-1010
Galant VI	2.0L L4 F/I	33-2794	
Galant VI	2.5L V6 F/I	33-2794	
Galloper	2.5L L4 DSL	E-4810	
Galloper	3.0L V6 F/I	33-2045	
Lancer	1.3L L4 F/I	33-2105	
Lancer	1.6L L4 F/I	33-2105	
Lancer	2.0L L4 F/I	33-2105 ♦	HP-1008
Lancer Evolution	2.0L L4 F/I	33-2105 ♦	HP-1010
Lancer Ralliart	2.4L L4 F/I	33-2105	HP-1008
Lancer Sportback	2.4L L4 F/I	33-2105	HP-1008
Mirage	1.5L L4 F/I	33-2105	
Mirage	1.8L L4 F/I	33-2105	
Montero	3.8L V6 F/I	33-2164	HP-1004
Montero Sport	3.5L V6 F/I	33-2112	HP-1004
Outlander	2.0L L4 F/I	33-2105	
Outlander	2.4L L4 F/I	33-2105	HP-1008
Pajero Classic	2.5L L4 DSL	38-9207	
Pajero III	3.2L L4 DSL	33-2164	
Pajero Pinin	1.8L L4 DSL	33-2072	
Pajero Pinin	1.8L L4 F/I	33-2072	
Pajero Pinin	2.0L L4 F/I	33-2072	
Pajero Sport	1.8L L4 F/I	33-2072	
Pajero Sport	2.5L L4 DSL	38-9207	
Pajero Sport	3.0L V6 F/I	33-2045	
Santamo	2.0L L4 F/I	E-2875	
Space Star	1.3L L4 DSL	33-2763	
Space Star	1.8L L4 DSL	33-2763	
Space Star	1.8L L4 F/I		HP-1010
Space Star	1.9L L4 DSL	33-2763	

\*Indicates 2 filters required

♦ - Intake kit available

Applications updated daily at [knfilters.com](http://knfilters.com) ®

# AIR & OIL FILTERS

# MITSUBISHI

Vehicle	Engine Type	Air Filter	Oil Filter	Vehicle	Engine Type	Air Filter	Oil Filter
<b>2004 MITSUBISHI</b>				<b>2002 MITSUBISHI</b>			
Space Wagon	2.4L L4 F/I	33-2794		Galant	2.4L L4 F/I	33-2072	HP-1010
<b>2003 MITSUBISHI</b>				Galant	3.0L V6 F/I	33-2072	HP-1004
Carisma	1.6L L4 F/I	33-2763		Galant IV	2.4L L4 F/I	33-2794	HP-1010
Carisma	1.8L L4 F/I	33-2763		Galant VI	2.0L L4 F/I	33-2794	
Carisma	1.9L L4 DSL	33-2763		Galant VI	2.5L V6 F/I	33-2794	
Colt V	1.3L L4 F/I	33-2105		Galloper	2.5L L4 DSL	E-4810	
Colt V	1.6L L4 F/I	33-2105		Galloper	3.0L V6 F/I	33-2045	
Diamante	3.5L V6 F/I	33-2151	HP-1010	Lancer	2.0L L4 F/I	33-2105 ♦	HP-1010
Eclipse	2.4L L4 F/I	33-2072 ♦	HP-1010	Lancer V	1.6L L4 F/I	33-2074	
Eclipse	3.0L V6 F/I	33-2072 ♦	HP-1004	Lancer VI	1.3L L4 F/I	33-2074	
Eclipse GT	3.0L V6 F/I	33-2072 ♦	HP-1004	Lancer VI	1.6L L4 F/I	33-2074	
Galant	2.4L L4 F/I	33-2072	HP-1010	Lancer VI	2.0L L4 F/I	33-2105	HP-1010
Galant	3.0L V6 F/I	33-2072	HP-1004	Magna	3.5L V6 F/I - exc. LPG	33-2151	
Galant IV	2.4L L4 F/I	33-2794	HP-1010	Mirage	1.5L L4 F/I	33-2105	HP-1010
Galant VI	2.0L L4 F/I	33-2794		Mirage	1.8L L4 F/I	33-2105	HP-1010
Galant VI	2.5L V6 F/I	33-2794		Montero	3.5L V6 F/I	33-2164	HP-1004
Galloper	2.5L L4 DSL	E-4810		Montero Sport	3.0L V6 F/I	33-2045	HP-1004
Galloper	3.0L V6 F/I	33-2045		Montero Sport	3.5L V6 F/I	33-2112	HP-1004
Lancer	1.3L L4 F/I - from 10/03	33-2105		Pajero Classic	2.5L L4 DSL	38-9207	
Lancer	1.3L L4 F/I - To 9/03	33-2074		Pajero III	3.2L L4 DSL	33-2164	
Lancer	1.6L L4 F/I - from 10/03	33-2105		Pajero III	3.5L V6 DSL	33-2164	
Lancer	1.6L L4 F/I - To 9/03	33-2074		Pajero Pinin	1.8L L4 DSL	33-2072	
Lancer	2.0L L4 F/I	33-2105 ♦	HP-1010	Pajero Pinin	1.8L L4 F/I	33-2072	
Lancer Evolution	2.0L L4 F/I	33-2105 ♦	HP-1008	Pajero Pinin	2.0L L4 F/I	33-2072	
Lancer V	1.6L L4 F/I - from 10/03	33-2105		Pajero Sport	1.8L L4 F/I	33-2072	
Lancer V	1.6L L4 F/I - To 9/03	33-2074		Pajero Sport	2.5L L4 DSL	38-9207	
Lancer VI	1.3L L4 F/I - from 10/03	33-2105		Pajero Sport	3.0L V6 F/I	33-2045	
Lancer VI	1.3L L4 F/I - To 9/03	33-2074		Santamo	2.0L L4 F/I	E-2875	
Lancer VI	1.6L L4 F/I - from 10/03	33-2105		Space Runner	2.0L L4 F/I	33-2794	
Lancer VI	1.6L L4 F/I - To 9/03	33-2074		Space Runner	2.4L L4 F/I	33-2794	
Lancer VI	2.0L L4 F/I	33-2105	HP-1010	Space Star	1.3L L4 DSL	33-2763	
Magna	3.5L V6 F/I - exc. LPG	33-2151		Space Star	1.8L L4 DSL	33-2763	
Mirage	1.5L L4 F/I	33-2105	HP-1010	Space Star	1.8L L4 F/I		HP-1010
Mirage	1.8L L4 F/I	33-2105	HP-1010	Space Star	1.9L L4 DSL	33-2763	
Montero	3.8L V6 F/I	33-2164	HP-1004	Space Wagon	2.4L L4 F/I	33-2794	
Montero Sport	3.0L V6 F/I	33-2045	HP-1004	<b>2001 MITSUBISHI</b>			
Montero Sport	3.5L V6 F/I	33-2112	HP-1004	Carisma	1.6L L4 F/I	33-2763	
Outlander	2.0L L4 F/I	33-2105		Carisma	1.8L L4 F/I	33-2763	
Outlander	2.4L L4 F/I	33-2105	HP-1008	Carisma	1.9L L4 DSL	33-2763	
Pajero Classic	2.5L L4 DSL	38-9207		Colt V	1.3L L4 F/I	33-2105	
Pajero III	3.2L L4 DSL	33-2164		Colt V	1.6L L4 F/I	33-2105 ♦	
Pajero III	3.5L V6 DSL	33-2164		Diamante	3.5L V6 F/I	33-2151	HP-1010
Pajero Pinin	1.8L L4 DSL	33-2072		Eclipse	2.4L L4 F/I	33-2072 ♦	HP-1010
Pajero Pinin	1.8L L4 F/I	33-2072		Eclipse	3.0L V6 F/I	33-2072 ♦	HP-1004
Pajero Pinin	2.0L L4 F/I	33-2072		Galant	2.4L L4 F/I	33-2072	HP-1010
Pajero Sport	1.8L L4 F/I	33-2072		Galant	3.0L V6 F/I	33-2072	HP-1004
Pajero Sport	2.5L L4 DSL	38-9207		Galant IV	2.4L L4 F/I	33-2794	HP-1010
Pajero Sport	3.0L V6 F/I	33-2045		Galant VI	2.0L L4 F/I	33-2794	
Santamo	2.0L L4 F/I	E-2875		Galant VI	2.5L V6 F/I	33-2794	
Space Star	1.3L L4 DSL	33-2763		Galloper	2.5L L4 DSL	E-4810	
Space Star	1.8L L4 DSL	33-2763		Galloper	3.0L V6 F/I	33-2045	
Space Star	1.8L L4 F/I		HP-1010	L200	2.5L L4 DSL	38-9207 ♦	
Space Star	1.9L L4 DSL	33-2763		Lancer V	1.6L L4 F/I	33-2074	
Space Wagon	2.4L L4 F/I	33-2794		Lancer VI	1.3L L4 F/I	33-2074	
<b>2002 MITSUBISHI</b>				Lancer VI	1.6L L4 F/I	33-2074	
Carisma	1.6L L4 F/I	33-2763		Lancer VI	2.0L L4 F/I	33-2105	
Carisma	1.8L L4 F/I	33-2763		Magna	3.5L V6 F/I - exc. LPG	33-2151	
Carisma	1.9L L4 DSL	33-2763		Mirage	1.5L L4 F/I	33-2105	HP-1010
Colt V	1.3L L4 F/I	33-2105		Mirage	1.8L L4 F/I	33-2105	HP-1010
Colt V	1.6L L4 F/I	33-2105 ♦		Montero	3.5L V6 F/I	33-2164	HP-1004
Diamante	3.5L V6 F/I	33-2151	HP-1010	Montero Sport	3.0L V6 F/I	33-2045	HP-1004
Eclipse	2.4L L4 F/I	33-2072 ♦	HP-1010	Montero Sport	3.5L V6 F/I	33-2112	HP-1004
Eclipse	3.0L V6 F/I	33-2072 ♦	HP-1004	Pajero III	3.2L L4 DSL	33-2164	

\*Indicates 2 filters required      ♦ - Intake kit available      Applications updated daily at [knfilters.com](http://knfilters.com) ®

**Partial Listing - Complete List of Vehicles and Applications at [knfilters.com](http://knfilters.com)**

# MITSUBISHI

# AIR & OIL FILTERS

Vehicle	Engine Type	Air Filter	Oil Filter
<b>2001 MITSUBISHI</b>			
Pajero III	3.5L V6 DSL	33-2164	
Pajero Pinin	1.8L L4 DSL	33-2072	
Pajero Pinin	1.8L L4 F/I	33-2072	
Pajero Pinin	2.0L L4 F/I	33-2072	
Pajero Sport	1.8L L4 DSL	33-2072	
Pajero Sport	1.8L L4 F/I	33-2072	
Pajero Sport	2.5L L4 DSL	38-9207	
Pajero Sport	3.0L V6 F/I	33-2045	
Santamo	2.0L L4 F/I	E-2875	
Space Runner	2.0L L4 F/I	33-2794	
Space Runner	2.4L L4 F/I	33-2794	
Space Star	1.3L L4 DSL	33-2763	
Space Star	1.8L L4 DSL	33-2763	
Space Star	1.8L L4 F/I		HP-1010
Space Star	1.9L L4 DSL	33-2763	
Space Wagon	2.4L L4 F/I	33-2794	

Vehicle	Engine Type	Air Filter	Oil Filter
<b>2000 MITSUBISHI</b>			
Carisma	1.6L L4 F/I	33-2763	
Carisma	1.8L L4 F/I	33-2763	
Carisma	1.9L L4 DSL	33-2763	
Colt V	1.3L L4 F/I	33-2105	
Colt V	1.6L L4 F/I	33-2105 ♦	
Diamante	3.5L V6 F/I	33-2151	HP-1010
Eclipse	2.4L L4 F/I	33-2072 ♦	HP-1010
Eclipse	3.0L V6 F/I	33-2072 ♦	HP-1004
Galant	2.4L L4 F/I	33-2072	HP-1010
Galant	3.0L V6 F/I	33-2072	HP-1004
Galant IV	2.4L L4 F/I	33-2794	HP-1010
Galant VI	2.0L L4 F/I	33-2794	
Galant VI	2.5L V6 F/I	33-2794	
Galloper	2.5L L4 DSL	E-4810	
Galloper	3.0L V6 F/I	33-2045	
L200	2.5L L4 DSL	38-9207	
Lancer	1.8L L4 F/I	33-2074	HP-1010
Lancer V	1.6L L4 F/I	33-2074	
Lancer VI	1.3L L4 F/I	33-2074	
Lancer VI	1.6L L4 F/I	33-2074	
Lancer VI	2.0L L4 F/I	33-2105	
Magna	3.5L V6 F/I - exc. LPG	33-2151	
Mirage	1.5L L4 F/I	33-2105	HP-1010
Mirage	1.8L L4 F/I	33-2105	HP-1010
Montero	3.5L V6 F/I	33-2112	HP-1004
Montero Sport	3.0L V6 F/I	33-2045	HP-1004
Montero Sport	3.5L V6 F/I	33-2112	HP-1004
Pajero II	1.8L L4 DSL	33-2072	
Pajero II	2.5L L4 DSL	E-2871	
Pajero II	2.8L L4 DSL	E-2871	
Pajero II	3.0L V6 F/I	33-2112	
Pajero II	3.5L V6 F/I	33-2112	
Pajero III	3.2L L4 DSL	33-2164	
Pajero III	3.5L V6 DSL	33-2164	
Pajero Pinin	1.8L L4 DSL	33-2072	
Pajero Pinin	2.0L L4 F/I	33-2072	
Pajero Sport	1.8L L4 DSL	33-2072	
Pajero Sport	2.5L L4 DSL	38-9207	
Pajero Sport	3.0L V6 F/I	33-2045	
Santamo	2.0L L4 F/I	E-2875	
Space Runner	2.0L L4 F/I	33-2794	
Space Runner	2.4L L4 F/I	33-2794	
Space Star	1.3L L4 DSL	33-2763	
Space Star	1.8L L4 DSL	33-2763	
Space Wagon	2.4L L4 F/I	33-2794	

Vehicle	Engine Type	Air Filter	Oil Filter
<b>1999 MITSUBISHI</b>			
3000GT	3.0L V6 F/I	33-2045 ♦	HP-1004
Carisma	1.6L L4 F/I	33-2763	
Carisma	1.8L L4 F/I	33-2763	
Carisma	1.9L L4 DSL	33-2763	
Colt V	1.3L L4 F/I	33-2105	
Colt V	1.6L L4 F/I	33-2105 ♦	
Diamante	3.5L V6 F/I	33-2151	HP-1010
Eclipse	2.0L L4 F/I	33-2072	
Eclipse	2.0L L4 F/I - exc. Turbo	33-2072	HP-2004
Eclipse	2.0L L4 F/I - Turbo	33-2072	HP-1010
Eclipse	2.4L L4 F/I	33-2072	HP-1010
Eclipse II	2.0L L4 F/I	33-2072 ♦	
Eclipse II	2.0L L4 F/I - exc. Turbo	33-2072	HP-2004
Eclipse II	2.0L L4 F/I - Turbo	33-2072	HP-1010
Eclipse II	2.4L L4 F/I	33-2072	HP-1010
Galant	2.4L L4 F/I	33-2072	HP-1010
Galant	3.0L V6 F/I	33-2072	HP-1004
Galant IV	2.4L L4 F/I	33-2794	HP-1010
Galant VI	2.0L L4 F/I	33-2794	
Galant VI	2.5L V6 F/I	33-2794	
Galloper	2.5L L4 DSL	E-4810	
Galloper	3.0L V6 F/I	33-2045	
L200	2.5L L4 DSL	38-9207	
Lancer V	1.6L L4 F/I	33-2074	
Lancer VI	1.3L L4 F/I	33-2074	
Lancer VI	1.6L L4 F/I	33-2074	
Lancer VI	2.0L L4 F/I	33-2105	
Magna	3.5L V6 F/I - exc. LPG	33-2151	
Mirage	1.5L L4 F/I	33-2105	HP-1010
Mirage	1.8L L4 F/I	33-2105	HP-1010
Montero	3.5L V6 F/I	33-2112	HP-1004
Montero Sport	2.4L L4 F/I	33-2045	HP-1010
Montero Sport	3.0L V6 F/I	33-2045	HP-1004
Montero Sport	3.5L V6 F/I	33-2112	HP-1004
Pajero II	1.8L L4 DSL	33-2072	
Pajero II	2.5L L4 DSL	E-2871	
Pajero II	2.8L L4 DSL	E-2871	
Pajero II	3.0L V6 F/I	33-2112	
Pajero II	3.5L V6 F/I	33-2112	
Pajero Pinin	1.8L L4 DSL	33-2072	
Pajero Sport	1.8L L4 DSL	33-2072	
Pajero Sport	2.5L L4 DSL	38-9207	
Pajero Sport	3.0L V6 F/I	33-2045	
Santamo	2.0L L4 F/I	E-2875	
Space Runner	1.8L L4 F/I	33-2072	
Space Runner	2.0L L4 F/I	33-2794	
Space Runner	2.4L L4 F/I	33-2794	
Space Star	1.3L L4 DSL	33-2763	
Space Star	1.8L L4 DSL	33-2763	
Space Wagon	2.4L L4 F/I	33-2794	

Vehicle	Engine Type	Air Filter	Oil Filter
<b>1998 MITSUBISHI</b>			
3000GT	3.0L V6 F/I	33-2045 ♦	HP-1004
Carisma	1.6L L4 F/I	33-2763	
Carisma	1.8L L4 F/I	33-2763	
Carisma	1.9L L4 DSL	33-2763	
Colt V	1.3L L4 F/I	33-2105	
Colt V	1.6L L4 F/I	33-2105 ♦	
Diamante	3.5L V6 F/I	33-2151	HP-1010
Eclipse	2.0L L4 F/I	33-2072	
Eclipse	2.0L L4 F/I - exc. Turbo	33-2072 ♦	
Eclipse	2.0L L4 F/I - Turbo	33-2072	HP-2004
Eclipse	2.0L L4 F/I - Turbo	33-2072	HP-1010

\*Indicates 2 filters required      ♦ - Intake kit available      Applications updated daily at [knfilters.com](http://knfilters.com) ®

# AIR & OIL FILTERS

# MITSUBISHI

Vehicle	Engine Type	Air Filter	Oil Filter	Vehicle	Engine Type	Air Filter	Oil Filter
<b>1998 MITSUBISHI</b>				<b>1997 MITSUBISHI</b>			
Eclipse	2.4L L4 F/I	33-2072	HP-1010	Pajero II	3.0L V6 F/I	33-2112	
Eclipse II	2.0L L4 F/I	33-2072 ♦		Pajero II	3.5L V6 F/I	33-2112	
Eclipse II	2.0L L4 F/I - exc. Turbo	33-2072	HP-2004	Pajero Sport	2.5L L4 DSL	38-9207	
Eclipse II	2.0L L4 F/I - Turbo	33-2072	HP-1010	Space Gear	2.0L L4 F/I	33-2045	
Eclipse II	2.4L L4 F/I	33-2072	HP-1010	Space Gear	2.4L L4 F/I	33-2045	
Galant	2.0L L4 F/I	33-2147		Space Runner	1.8L L4 F/I	33-2072	
Galant	2.4L L4 F/I	33-2072	HP-1010	Space Wagon	2.0L L4 DSL	33-2072	
Galant VI	2.0L L4 F/I	33-2794		Space Wagon	2.0L L4 F/I	33-2072	
Galant VI	2.5L V6 F/I	33-2794		<b>1996 MITSUBISHI</b>			
L200	2.5L L4 DSL	38-9207		3000GT	3.0L V6 F/I	33-2045 ♦	HP-1004
Lancer V	1.6L L4 F/I	33-2074		Carisma	1.6L L4 F/I	33-2763	
Lancer VI	1.3L L4 F/I	33-2074		Carisma	1.8L L4 F/I	33-2782	
Lancer VI	1.6L L4 F/I	33-2074		Carisma	1.9L L4 DSL	33-2763	
Mirage	1.5L L4 F/I	33-2105	HP-1010	Colt IV	1.3L L4 F/I	33-2074	
Mirage	1.8L L4 F/I	33-2105	HP-1010	Colt IV	1.6L L4 F/I	33-2074	
Montero	3.5L V6 F/I	33-2112	HP-1004	Colt IV	1.8L L4 F/I	33-2074	
Montero Sport	2.4L L4 F/I	33-2045	HP-1010	Colt V	1.3L L4 F/I	33-2105	
Montero Sport	3.0L V6 F/I	33-2045	HP-1004	Colt V	1.6L L4 F/I	33-2105 ♦	
Pajero II	1.8L L4 DSL	33-2072		Diamante	3.0L V6 F/I	33-2045	HP-1004
Pajero II	2.5L L4 DSL	E-2871		Eclipse	2.0L L4 F/I	33-2072	
Pajero II	2.8L L4 DSL	E-2871				33-2072 ♦	
Pajero II	3.0L V6 F/I	33-2112		Eclipse	2.0L L4 F/I - exc. Turbo	33-2072	HP-2004
Pajero II	3.5L V6 F/I	33-2112		Eclipse	2.0L L4 F/I - Turbo	33-2072	HP-1010
Pajero Sport	2.5L L4 DSL	38-9207		Eclipse	2.4L L4 F/I	33-2072	HP-1010
Pajero Sport	3.0L V6 F/I	33-2045		Eclipse II	2.0L L4 F/I	33-2072 ♦	
Space Gear	2.0L L4 F/I	33-2045		Eclipse II	2.0L L4 F/I - exc. Turbo	33-2072	HP-2004
Space Gear	2.4L L4 F/I	33-2045		Eclipse II	2.0L L4 F/I - Turbo	33-2072	HP-1010
Space Runner	1.8L L4 F/I	33-2072		Galant	2.4L L4 F/I	33-2072	HP-1010
Space Star	1.3L L4 DSL	33-2763		Galant V	1.8L L4 F/I	33-2072	
Space Star	1.8L L4 DSL	33-2763		Galant V	2.0L L4 F/I	33-2072	
Space Wagon	2.0L L4 DSL	33-2072		Galant V	2.5L V6 F/I	33-2072	
Space Wagon	2.0L L4 F/I	33-2072		Galant VI	2.0L L4 F/I	33-2794	
Space Wagon	2.4L L4 F/I	33-2794		Galant VI	2.5L V6 F/I	33-2794	
<b>1997 MITSUBISHI</b>				L200	2.5L L4 DSL	38-9207	
3000GT	3.0L V6 F/I	33-2045 ♦	HP-1004	Lancer V	1.6L L4 F/I	33-2074	
Carisma	1.6L L4 F/I	33-2763		Lancer VI	1.3L L4 F/I	33-2074	
Carisma	1.8L L4 F/I	33-2763		Lancer VI	1.6L L4 F/I	33-2074	
Carisma	1.9L L4 DSL	33-2763		Magna	3.0L V6 F/I	33-2045	HP-1004
Colt V	1.3L L4 F/I	33-2105		Mighty Max	2.4L L4 F/I		HP-1010
Colt V	1.6L L4 F/I	33-2105 ♦		Mirage	1.5L L4 F/I	33-2074	HP-1010
Diamante	3.5L V6 F/I	33-2151	HP-1010	Mirage	1.8L L4 F/I	33-2074	HP-1010
Eclipse	2.0L L4 F/I	33-2072		Montero	3.0L V6 F/I	33-2112	HP-1004
		33-2072 ♦		Montero	3.5L V6 F/I	33-2112	HP-1004
Eclipse	2.0L L4 F/I - exc. Turbo	33-2072	HP-2004	Pajero II	2.5L L4 DSL	E-2871	
Eclipse	2.0L L4 F/I - Turbo	33-2072	HP-1010	Pajero II	2.8L L4 DSL	E-2871	
Eclipse	2.4L L4 F/I	33-2072	HP-1010	Pajero II	3.0L V6 F/I	33-2112	
Eclipse II	2.0L L4 F/I	33-2072 ♦		Pajero II	3.5L V6 F/I	33-2112	
Eclipse II	2.0L L4 F/I - exc. Turbo	33-2072	HP-2004	Sigma	3.0L V6 F/I	33-2045	
Eclipse II	2.0L L4 F/I - Turbo	33-2072	HP-1010	Space Gear	2.0L L4 F/I	33-2045	
Galant	2.4L L4 F/I	33-2072	HP-1010	Space Gear	2.4L L4 F/I	33-2045	
Galant VI	2.0L L4 F/I	33-2794		Space Runner	1.8L L4 F/I	33-2072	
Galant VI	2.5L V6 F/I	33-2794	HP-1004	Space Wagon	2.0L L4 DSL	33-2072	
L200	2.5L L4 DSL	38-9207		Space Wagon	2.0L L4 F/I	33-2072	
Lancer V	1.6L L4 F/I	33-2074		<b>1995 MITSUBISHI</b>			
Lancer VI	1.3L L4 F/I	33-2074		3000GT	3.0L V6 F/I	33-2045 ♦	HP-1004
Lancer VI	1.6L L4 F/I	33-2074		Carisma	1.6L L4 F/I	33-2782	
Mirage	1.5L L4 F/I	33-2105	HP-1010	Carisma	1.8L L4 F/I	33-2782	
Mirage	1.8L L4 F/I	33-2105	HP-1010	Colt IV	1.3L L4 F/I	33-2074	
Montero	3.5L V6 F/I	33-2112	HP-1004	Colt IV	1.6L L4 F/I	33-2074	
Montero Sport	2.4L L4 F/I	33-2045	HP-1010	Colt IV	1.8L L4 F/I	33-2074	
Montero Sport	3.0L V6 F/I	33-2045	HP-1004	Diamante	3.0L V6 F/I	33-2045	HP-1004
Pajero II	2.5L L4 DSL	E-2871		Eclipse	2.0L L4 F/I	33-2072	
Pajero II	2.8L L4 DSL	E-2871				33-2072 ♦	

\*Indicates 2 filters required      ♦ - Intake kit available      Applications updated daily at [knfilters.com](http://knfilters.com) ®

**Partial Listing - Complete List of Vehicles and Applications at [knfilters.com](http://knfilters.com)**

# MITSUBISHI

# AIR & OIL FILTERS

Vehicle	Engine Type	Air Filter	Oil Filter
<b>1995 MITSUBISHI</b>			
Eclipse	2.0L L4 F/I - exc. Turbo	33-2072	HP-2004
Eclipse	2.0L L4 F/I - Turbo	33-2072	HP-1010
Eclipse I	2.0L L4 F/I	E-2875	
Eclipse II	2.0L L4 F/I	33-2072 ♦	
Eclipse II	2.0L L4 F/I - exc. Turbo	33-2072	HP-2004
Eclipse II	2.0L L4 F/I - Turbo	33-2072	HP-1010
Expo	2.4L L4 F/I		HP-1010
Galant	2.4L L4 F/I	33-2072	HP-1010
Galant V	1.8L L4 F/I	33-2072	
Galant V	2.0L L4 F/I	33-2072	
Galant V	2.5L V6 F/I	33-2072	
L200	2.5L L4 DSL	38-9207	
Lancer V	1.3L L4 F/I	33-2074	
Lancer V	1.6L L4 F/I	33-2074	
Lancer VI	1.3L L4 F/I	33-2074	
Lancer VI	1.6L L4 F/I	33-2074	
Magna	3.0L V6 F/I	33-2045	HP-1004
Mighty Max	2.4L L4 F/I	33-2045	HP-1010
Mirage	1.5L L4 F/I	33-2074	HP-1010
Mirage	1.8L L4 F/I	33-2074	HP-1010
Montero	3.0L V6 F/I	33-2112	HP-1004
Montero	3.5L V6 F/I	33-2112	HP-1004
Pajero II	2.5L L4 DSL	E-2871	
Pajero II	2.8L L4 DSL	E-2871	
Pajero II	3.0L V6 F/I - 150BHP	33-2045	
Pajero II	3.0L V6 F/I - Exc., 150BHP	33-2112	
Pajero II	3.5L V6 F/I	33-2112	
Sigma	3.0L V6 F/I	33-2045	
Space Gear	2.0L L4 F/I	33-2045	
Space Gear	2.4L L4 F/I	33-2045	
Space Runner	1.8L L4 F/I	33-2072	
Space Wagon	2.0L L4 DSL	33-2072	
Space Wagon	2.0L L4 F/I	33-2072	

<b>1994 MITSUBISHI</b>			
3000GT	3.0L V6 F/I	33-2045 ♦	HP-1004
Colt IV	1.3L L4 F/I	33-2074	
Colt IV	1.6L L4 F/I	33-2074	
Colt IV	1.8L L4 F/I	33-2074	
Diamante	3.0L V6 F/I	33-2045	HP-1004
Eclipse	1.8L L4 F/I	E-2875	HP-1010
Eclipse	2.0L L4 F/I	E-2875	HP-1010
Eclipse I	2.0L L4 F/I	E-2875	HP-1010
Expo	2.4L L4 F/I		HP-1010
Expo LRV	1.8L L4 F/I		HP-1010
Expo LRV	2.4L L4 F/I		HP-1010
Galant	2.4L L4 F/I	33-2072	HP-1010
Galant V	1.8L L4 F/I	33-2072	
Galant V	2.0L L4 F/I	33-2072	
Galant V	2.5L V6 F/I	33-2072	
L200	2.5L L4 DSL	38-9207	
Lancer IV	1.3L L4 F/I	33-2074	
Lancer IV	1.6L L4 F/I	33-2074	
Lancer V	1.3L L4 F/I	33-2074	
Lancer V	1.6L L4 F/I	33-2074	
Magna	3.0L V6 F/I	33-2045	HP-1004
Mighty Max	2.4L L4 F/I	33-2045	HP-1010
Mighty Max	3.0L V6 F/I	33-2045	HP-1010
Mirage	1.5L L4 F/I	33-2074	HP-1010
Mirage	1.8L L4 F/I	33-2074	HP-1010
Montero	3.0L V6 F/I	33-2045	HP-1004
Montero	3.5L V6 F/I	33-2112	HP-1004
Pajero II	2.5L L4 DSL	E-2871	
Pajero II	2.8L L4 DSL	E-2871	

Vehicle	Engine Type	Air Filter	Oil Filter
<b>1994 MITSUBISHI</b>			
Pajero II	3.0L V6 F/I - 150BHP	33-2045	
Pajero II	3.0L V6 F/I - Exc., 150BHP	33-2112	
Pajero II	3.5L V6 F/I	33-2112	
Precis	1.5L L4 F/I		HP-1004
Shogun	2.8L L4 DSL - Turbo	E-2871	
Sigma	3.0L V6 F/I	33-2045	
Space Runner	1.8L L4 F/I	33-2072	
Space Wagon	2.0L L4 DSL	33-2072	
Space Wagon	2.0L L4 F/I	33-2072	

<b>1993 MITSUBISHI</b>			
3000GT	3.0L V6 F/I	33-2045 ♦	HP-1004
Colt IV	1.3L L4 F/I	33-2074	
Colt IV	1.6L L4 F/I	33-2074	
Colt IV	1.8L L4 F/I	33-2074	
Diamante	3.0L V6 F/I	33-2045	HP-1004
Eclipse	1.8L L4 F/I	E-2875	HP-1010
Eclipse	2.0L L4 F/I	E-2875	HP-1010
Eclipse I	2.0L L4 F/I	E-2875 ♦	HP-1010
Expo	2.4L L4 F/I		HP-1005
Expo LRV	2.4L L4 F/I		HP-1005
Galant	2.0L L4 F/I	E-2875	HP-1010
Galant V	1.8L L4 F/I	33-2072	
Galant V	2.0L L4 F/I	33-2072	
Galant V	2.5L V6 F/I	33-2072	
L200	2.5L L4 DSL	38-9207	
Lancer IV	1.3L L4 F/I	33-2074	
Lancer IV	1.6L L4 F/I	33-2074	
Lancer V	1.3L L4 F/I	33-2074	
Lancer V	1.6L L4 F/I	33-2074	
Magna	3.0L V6 F/I	33-2045	HP-1004
Mighty Max	2.4L L4 F/I	33-2045	HP-1005
Mighty Max	3.0L V6 F/I	33-2045	HP-1005
Mirage	1.5L L4 F/I	33-2074	HP-1010
Mirage	1.8L L4 F/I	33-2074	HP-1010
Montero	3.0L V6 F/I	33-2045	HP-1004
Pajero II	2.5L L4 DSL	E-2871	
Pajero II	3.0L V6 F/I	33-2045	
Precis	1.5L L4 F/I	E-2875	HP-1004
Sigma	3.0L V6 F/I	33-2045	
Space Wagon	2.0L L4 DSL	33-2072	
Space Wagon	2.0L L4 F/I	33-2072	

<b>1992 MITSUBISHI</b>			
3000GT	3.0L V6 F/I	33-2045 ♦	HP-1004
Colt III	1.3L L4 F/I	E-9199	
Colt III	1.5L L4 F/I	E-2755	
Colt III	1.8L L4 F/I	E-2875	
Colt IV	1.3L L4 F/I	33-2074	
Colt IV	1.6L L4 F/I	33-2074	
Colt IV	1.8L L4 F/I	33-2074	
Diamante	3.0L V6 F/I	33-2045	HP-1004
Eclipse	1.8L L4 F/I	E-2875	HP-1004
Eclipse	2.0L L4 F/I	E-2875	HP-1005
Eclipse I	2.0L L4 F/I	E-2875 ♦	HP-1005
Eclipse I	2.0L L4 F/I	E-2875 ♦	HP-1005
Expo	2.4L L4 F/I		HP-1005
Expo LRV	1.8L L4 F/I		HP-1010
Galant	2.0L L4 F/I	E-2875	HP-1005
Galant IV	1.8L L4 DSL	E-2873	
Galant IV	1.8L L4 F/I	E-2874	
Galant IV	2.0L L4 F/I	E-2875	
Galant V	1.8L L4 F/I	33-2072	

\*Indicates 2 filters required

♦ - Intake kit available

Applications updated daily at [knfilters.com](http://knfilters.com) ®

# AIR & OIL FILTERS

# MITSUBISHI

Vehicle	Engine Type	Air Filter	Oil Filter	Vehicle	Engine Type	Air Filter	Oil Filter
<b>1992 MITSUBISHI</b>				<b>1990 MITSUBISHI</b>			
Galant V	2.0L L4 F/I	33-2072		Lancer IV	1.8L L4 F/I	E-2875	
Galant V	2.5L V6 F/I	33-2072		Mighty Max	2.4L L4 F/I		HP-1005
L200	2.5L L4 DSL	38-9207		Mighty Max	3.0L V6 F/I		HP-1005
Lancer III	1.8L L4 F/I	E-2875		Mirage	1.5L L4 F/I	E-2875	HP-1005
Lancer IV	1.3L L4 F/I	E-9199		Montero	3.0L V6 F/I	E-2875	HP-1005
Lancer IV	1.6L L4 F/I	33-2074		Pajero I	2.5L L4 DSL	E-2871	
Lancer IV	1.8L L4 F/I	E-2875		Pajero I	2.6L L4 F/I	E-2723	
Lancer V	1.3L L4 F/I	E-9199		Pajero I	3.0L V6 F/I	E-2875	
Lancer V	1.6L L4 F/I	33-2074		Pajero II	2.5L L4 DSL	E-2871	
Lancer V	1.8L L4 F/I	E-2875		Pajero II	3.0L V6 F/I	33-2045	
Mighty Max	2.4L L4 F/I	33-2045	HP-1005	Sigma	3.0L V6 F/I	33-2045	HP-1004
Mighty Max	3.0L V6 F/I	33-2045	HP-1005			E-2875	HP-1004
Mirage	1.5L L4 F/I	E-2875	HP-1010	Starion	2.6L L4 F/I	E-2873	
Mirage	1.6L L4 F/I	E-2875	HP-1005	Van	2.4L L4 F/I		HP-1005
Montero	3.0L V6 F/I	33-2045	HP-1004	<b>1989 MITSUBISHI</b>			
Pajero II	2.5L L4 DSL	E-2871		Colt III	1.3L L4 F/I	E-2755	
Pajero II	3.0L V6 F/I	33-2045		Colt III	1.5L L4 F/I	E-2755	
Shogun	3.0L V6 - Panel Filter, 12v	33-2045		Colt III	1.6L L4 F/I	E-2875	
Sigma	3.0L V6 F/I	33-2045		Galant	2.0L L4 F/I	E-2875	HP-1005
<b>1991 MITSUBISHI</b>				Galant IV	1.8L L4 DSL	E-2873	
3000GT	3.0L V6 F/I	33-2045 ♦	HP-1004	Galant IV	1.8L L4 F/I	E-2874	
Colt III	1.3L L4 F/I	E-9199		Galant IV	2.0L L4 F/I	E-2875	
Colt III	1.5L L4 F/I	E-2755		Lancer	1.7L L4 F/I - 16v, GTI, 4G61 Eng.	E-2875	
Colt III	1.8L L4 F/I	E-2875		Lancer IV	1.3L L4 F/I	E-2760	
Eclipse	1.8L L4 F/I	E-2875	HP-1004	Mighty Max	2.0L L4 CARB	E-2810	HP-1005
Eclipse	2.0L L4 F/I	E-2875	HP-1005	Mighty Max	2.6L L4 CARB	E-2810	HP-1005
		E-2875 ♦	HP-1005	Mirage	1.5L L4 F/I	E-2875	HP-1005
Eclipse I	2.0L L4 F/I	E-2875 ♦	HP-1005	Mirage	1.6L L4 F/I	E-2875	HP-1005
Galant	2.0L L4 F/I	E-2875	HP-1005	Montero	2.6L L4 CARB	E-2723	HP-1005
Galant IV	1.8L L4 DSL	E-2873		Montero	3.0L V6 F/I	E-2875	HP-1005
Galant IV	1.8L L4 F/I	E-2874	HP-1004	Pajero I	2.5L L4 DSL	E-2871	
Galant IV	2.0L L4 F/I	E-2875		Pajero I	2.6L L4 F/I	E-2723	
Lancer III	1.8L L4 F/I	E-2875		Pajero I	3.0L V6 F/I	E-2875	
Lancer IV	1.3L L4 F/I	E-9199		Shogun	2.5L DSL - inc. Turbo	E-2871	
Lancer IV	1.8L L4 F/I	E-2875		Sigma	3.0L V6 F/I	E-2875	HP-1004
Mighty Max	2.4L L4 F/I	33-2045	HP-1005	Space Wagon	2.0L L4 F/I	E-2875	
Mighty Max	3.0L V6 F/I	33-2045	HP-1005	Starion	2.6L L4 F/I	E-2873	HP-1005
Mirage	1.5L L4 F/I	E-2875	HP-1010	<b>1988 MITSUBISHI</b>			
Mirage	1.6L L4 F/I	E-2875	HP-1005	Galant	3.0L V6 F/I	E-2875	HP-1004
Montero	3.0L V6 F/I	E-2875	HP-1005	Galant IV	1.8L L4 DSL	E-2873	
Pajero I	2.5L L4 DSL	E-2871		Galant IV	2.0L L4 F/I	E-2875	
Pajero II	2.5L L4 DSL	E-2871		L300	2.5L L4 DSL	E-4810	
Pajero II	3.0L V6 F/I	33-2045		Lancer	1.7L L4 F/I - 16v, GTI, 4G61 Eng.	E-2875	
Sigma	3.0L V6 F/I	33-2045		Mighty Max	2.0L L4 CARB	E-2810	HP-1005
Space Wagon	2.0L L4 F/I	E-2875		Mighty Max	2.6L L4 CARB	E-2810	HP-1005
<b>1990 MITSUBISHI</b>				Montero	2.6L L4 CARB	E-2723	HP-1005
Colt III	1.3L L4 F/I - From 7/90	E-9199		Pajero I	2.5L L4 DSL	E-2871	
Colt III	1.3L L4 F/I - To 6/90	E-2755		Pajero I	2.6L L4 F/I	E-2723	
Colt III	1.5L L4 F/I	E-2755		Pajero I	3.0L V6 F/I	E-2875	
Colt III	1.6L L4 F/I	E-2875		Starion	2.6L L4 F/I	E-2873	HP-1005
Colt III	1.8L L4 F/I	E-2875		<b>1987 MITSUBISHI</b>			
Eclipse	1.8L L4 F/I	E-2875	HP-1004	Galant	2.4L L4 F/I	E-2875	HP-1005
Eclipse	2.0L L4 F/I	E-2875	HP-1005	Galant III	2.0L L4 F/I - Turbo	E-2873	
		E-2875 ♦	HP-1005	Galant III	2.4L L4 F/I	E-2875	
Galant	2.0L L4 F/I	E-2875	HP-1005	Lancer III	1.2L L4 F/I	E-2755	
Galant	3.0L V6 F/I - Sigma	E-2875		Lancer III	1.5L L4 F/I	E-2755	
Galant IV	1.8L L4 DSL	E-2873		Mighty Max	2.0L L4 CARB	E-2810	HP-1005
Galant IV	1.8L L4 F/I	E-2874		Mirage	1.5L L4 CARB	E-2755	HP-1005
Galant IV	2.0L L4 F/I	E-2875		Mirage	1.6L L4 F/I	E-2875	HP-1005
Lancer	1.7L L4 F/I - 4G61 Eng.	E-2875		Montero	2.6L L4 CARB	E-2723	HP-1005
Lancer III	1.8L L4 F/I	E-2875		Pajero I	2.5L L4 DSL	E-2871	
Lancer IV	1.3L L4 F/I	E-2760					

\*Indicates 2 filters required      ♦ - Intake kit available      Applications updated daily at [knfilters.com](http://knfilters.com) ®

**Partial Listing - Complete List of Vehicles and Applications at [knfilters.com](http://knfilters.com)**

# MITSUBISHI

# AIR & OIL FILTERS

Vehicle	Engine Type	Air Filter	Oil Filter
<b>1987 MITSUBISHI</b>			
Pajero I	2.6L L4 F/I	E-2723	
Starion	2.0L L4 F/I	E-2873	
Starion	2.6L L4 F/I	E-2873	HP-1005
<b>1986 MITSUBISHI</b>			
Galant III	2.0L L4 F/I - Turbo	E-2873	
Montero	2.6L L4 CARB	E-2725	HP-1005
Pajero I	2.3L L4 DSL	E-2871	
Pajero I	2.5L L4 DSL	E-2871	
Pajero I	2.6L L4 F/I	E-2723	
Starion	2.0L L4 F/I	E-2873	
Starion	2.6L L4 F/I	E-2873	HP-1005
<b>1985 MITSUBISHI</b>			
Cordia	1.8L L4 F/I	E-2873	HP-1005
Galant	2.4L L4 F/I	E-2875	HP-1005
Galant III	2.4L L4 F/I	E-2875	
Mighty Max	2.3L L4 DSL	E-2871	
Montero	2.6L L4 CARB	E-2725	HP-1005
Pajero I	2.3L L4 DSL	E-2871	
Pajero I	2.6L L4 F/I	E-2723	
Starion	2.0L L4 F/I	E-2873	
Starion	2.6L L4 F/I	E-2873	HP-1005
<b>1984 MITSUBISHI</b>			
Lancer II	1.4L L4 F/I - 4G12 Eng.	E-2740	
Montero	2.6L L4 CARB	E-2725	HP-1005
Pajero I	2.3L L4 DSL	E-2871	
Pajero I	2.6L L4 F/I	E-2723	
Starion	2.6L L4 F/I	E-2873	HP-1005
<b>1983 MITSUBISHI</b>			
Colt I	1.4L L4 F/I - Exc., Turbo	E-2740	
Mighty Max	2.0L L4 CARB	E-2810	HP-1005
Montero	2.6L L4 CARB	E-2725	HP-1005
Pajero I	2.6L L4 F/I	E-2723	
Shogun	2.6L - Petrol	E-2725	
Starion	2.6L L4 F/I	E-2873	HP-1005
<b>1982 MITSUBISHI</b>			
Starion	2.0L L4 F/I	E-2873	
<b>1994 MORGAN</b>			
4/4	1.6L L4 F/I		HP-1002
<b>1993 MORGAN</b>			
4/4	1.6L L4 F/I		HP-1002
<b>1992 MORGAN</b>			
4/4	1.6L L4 F/I		HP-1002
<b>1991 MORGAN</b>			
4/4	1.6L L4 CARB		HP-1002
<b>1990 MORGAN</b>			
4/4	1.6L L4 CARB		HP-1002
<b>1988 MORGAN</b>			
4/4	1.6L L4 CARB		HP-1002
<b>1986 MORGAN</b>			
4/4	1.6L L4 CARB		HP-1002
<b>1985 MORGAN</b>			
4/4	1.6L L4 CARB		HP-1002
<b>1984 MORGAN</b>			
4/4	1.6L L4 CARB		HP-1002

Vehicle	Engine Type	Air Filter	Oil Filter
<b>1981 MORGAN</b>			
4/4	1.6L L4 CARB		HP-1002
<b>2008 MOTO GUZZI</b>			
Breva 1200 Sport	1100	AL-1001	
Breva V 1100	1100	AL-1001	
Norge 1200	1200	AL-1001	
<b>2007 MOTO GUZZI</b>			
Breva 850	850	AL-1001	
Breva V 1100	1100	AL-1001	
California Vintage	1100	CG-9002	
Norge 1200	1200	AL-1001	
<b>2006 MOTO GUZZI</b>			
Breva 850	850	AL-1001	
Breva V 1100	1100	AL-1001	
California Vintage	1100	CG-9002	
<b>2005 MOTO GUZZI</b>			
Breva V 1100	1100	AL-1001	
<b>1998 MOTO GUZZI</b>			
V10 Centauro	1000	CG-9002	
<b>1997 MOTO GUZZI</b>			
California 1100	1064	CG-9002	
Daytona 1000	1000	CG-9002	
Sport 1100	1064	CG-9002	
<b>1996 MOTO GUZZI</b>			
California 1100	1064	CG-9002	
Daytona 1000	1000	CG-9002	
Sport 1100	1064	CG-9002	
<b>1995 MOTO GUZZI</b>			
California 1100	1064	CG-9002	
Daytona 1000	1000	CG-9002	
Sport 1100	1064	CG-9002	
<b>1994 MOTO GUZZI</b>			
California 1100	1064	CG-9002	
Daytona 1000	1000	CG-9002	
Sport 1100	1064	CG-9002	
V1000 California III Classic	1000	MG-0001	
<b>1993 MOTO GUZZI</b>			
Daytona 1000	1000	CG-9002	
V1000 California III	949	MG-0001	
V1000 California III LAPD	949	MG-0001	
<b>1992 MOTO GUZZI</b>			
V1000 California III	949	MG-0001	
<b>1991 MOTO GUZZI</b>			
V1000 California III	949	MG-0001	
<b>1990 MOTO GUZZI</b>			
V1000 California III	949	MG-0001	
<b>1989 MOTO GUZZI</b>			
V1000 California III	1000	MG-0001	
<b>1988 MOTO GUZZI</b>			
V1000 LeMans III	1000	MG-0001	
<b>1987 MOTO GUZZI</b>			
V1000 LeMans III	1000	MG-0001	
<b>1986 MOTO GUZZI</b>			
V1000 California II	1000	MG-0001	
V1000 LeMans III	1000	MG-0001	

\*Indicates 2 filters required

◆ - Intake kit available

Applications updated daily at [knfilters.com](http://knfilters.com) ®



# AIR & OIL FILTERS

# MOTO GUZZI

Vehicle	Engine Type	Air Filter	Oil Filter
<b>1985 MOTO GUZZI</b>			
V1000 California II	1000	MG-0001	
V1000 LeMans III	1000	MG-0001	
<b>1984 MOTO GUZZI</b>			
V1000 California II	1000	MG-0001	
<b>1983 MOTO GUZZI</b>			
V1000 California II	1000	MG-0001	
V1000 G5	1000	MG-2640	
V1000 LeMans III	1000	MG-0001	
<b>1982 MOTO GUZZI</b>			
V1000 G5	1000	MG-2640	
<b>1981 MOTO GUZZI</b>			
V1000 G5	1000	MG-2640	
<b>1976 MOTO GUZZI</b>			
850	850	MG-0200	
<b>2008 MUZ</b>			
125 RT	125		KN-151
125 SM	125		KN-151
125 SX	125		KN-151
<b>2007 MUZ</b>			
125 RT	125		KN-151
125 SM	125		KN-151
125 SX	125		KN-151
<b>2006 MUZ</b>			
125 RT	125		KN-151
125 SM	125		KN-151
125 SX	125		KN-151
<b>2005 MUZ</b>			
125 RT	125		KN-151
125 SM	125		KN-151
125 SX	125		KN-151
<b>2004 MUZ</b>			
125 RT	125		KN-151
125 SM	125		KN-151
125 SX	125		KN-151
<b>2003 MUZ</b>			
125 RT	125		KN-151
125 SM	125		KN-151
125 SX	125		KN-151
<b>2002 MUZ</b>			
125 RT	125		KN-151
125 SM	125		KN-151
125 SX	125		KN-151
<b>2001 MUZ</b>			
125 RT	125		KN-151
125 SM	125		KN-151
125 SX	125		KN-151
<b>2000 MUZ</b>			
125 RT	125		KN-151
125 SM	125		KN-151
125 SX	125		KN-151
<b>1999 MUZ</b>			
660 Skorpion Replica	660		KN-145
<b>1998 MUZ</b>			
500 Silver Star	500		KN-151
660 Skorpion Replica	660		KN-145

Vehicle	Engine Type	Air Filter	Oil Filter
<b>1997 MUZ</b>			
500 Silver Star	500		KN-151
660 Skorpion Replica	660		KN-145
<b>1996 MUZ</b>			
660 Skorpion Replica	660		KN-145
<b>1995 MUZ</b>			
660 Skorpion Replica	660		KN-145
<b>1994 MUZ</b>			
660 Skorpion Replica	660		KN-145
<b>2009 MV AGUSTA</b>			
MV Agusta Brutale	1078		KN-204
			KN-204C
MV Agusta F4 RR	1078		KN-204
			KN-204C
<b>2008 MV AGUSTA</b>			
MV Agusta F4 R 312	1078		KN-204
			KN-204C
MV Agusta F4 R 312	1078		KN-204
1 plus 1			KN-204C
<b>2001 MZ</b>			
Skorpion 660	660		KN-145
<b>2000 MZ</b>			
Baghira	660		KN-145
Mastiff	660		KN-145
Skorpion 660	660		KN-145
Skorpion Traveller	660		KN-145
660			
<b>1999 MZ</b>			
Baghira	660		KN-145
Mastiff	660		KN-145
Skorpion 660	660		KN-145
Skorpion Cup 660	660		KN-145
Skorpion Replica 660	660		KN-145
Skorpion Sport 660	660		KN-145
Skorpion Tour 660	660		KN-145
Skorpion Traveller	660		KN-145
660			
<b>1998 MZ</b>			
Baghira	660		KN-145
Mastiff	660		KN-145
Saxon Tour 500	500		KN-151
Silver Star Classic	500		KN-151
500			
Skorpion 660	660		KN-145
Skorpion Replica 660	660		KN-145
Skorpion Sport 660	660		KN-145
Skorpion Tour 660	660		KN-145
Skorpion Traveller	660		KN-145
660			
<b>1997 MZ</b>			
Red Star 500	500		KN-151
Saxon Country 500	500		KN-151
Saxon Tour 500	500		KN-151
Silver Star Classic	500		KN-151
500			
Skorpion 660	660		KN-145
Skorpion Replica 660	660		KN-145
Skorpion Sport 660	660		KN-145
Skorpion Tour 660	660		KN-145

\*Indicates 2 filters required    ♦ - Intake kit available    Applications updated daily at [knfilters.com](http://knfilters.com) ®

Partial Listing - Complete List of Vehicles and Applications at [knfilters.com](http://knfilters.com)

# MZ

# AIR & OIL FILTERS

Vehicle	Engine Type	Air Filter	Oil Filter	Vehicle	Engine Type	Air Filter	Oil Filter
<b>1997 MZ</b>				<b>2011 NISSAN</b>			
Skorpion Traveller 660	660		KN-145	Qashqai	1.5L L4 DSL	33-2375 ♦	
<b>1996 MZ</b>				Qashqai	1.6L L4 F/I	33-2944	
Saxon Country 500	500		KN-151	Qashqai	2.0L L4 DSL	33-2944	
Silver Star 500	500		KN-151	Qashqai	2.0L L4 F/I	33-2944	
Silver Star Classic 500	500		KN-151	Rogue	2.5L L4 F/I	33-2409	HP-1008
Skorpion 660	660		KN-145	Sentra	2.0L L4 F/I	33-2376	HP-1008
Skorpion Replica 660	660		KN-145	Sentra	2.5L L4 F/I		HP-1008
Skorpion Sport 660	660		KN-145	Tiida	1.6L L4 F/I	33-2375	
Skorpion Tour 660	660		KN-145	Tiida	1.8L L4 F/I	33-2375	
Skorpion Traveller 660	660		KN-145	Titan	5.6L V8 F/I	33-2286 ♦	HP-1010
<b>1995 MZ</b>				Versa	1.6L L4 F/I	33-2375	HP-1008
Saxon Tour 500	500		KN-151	Versa	1.8L L4 F/I	33-2375	HP-1008
Silver Star 500	500		KN-151	Xterra	4.0L V6 F/I	33-2286	HP-1010
Silver Star Classic 500	500		KN-151	X-Trail	2.0L L4 DSL	33-2944	
Skorpion 660	660		KN-145	X-Trail	2.0L L4 F/I	33-2944	
Skorpion Sport 660	660		KN-145	X-Trail	2.5L L4 F/I	33-2031-2	
<b>1994 MZ</b>				<b>2010 NISSAN</b>			
Saxon Country 500	500		KN-151	370Z	3.7L V6 F/I	33-2399* ♦	HP-1008
Silver Star Classic 500	500		KN-151	370Z Nismo	3.7L V6 F/I	33-2399* ♦	HP-1008
Skorpion Sport 660	660		KN-145	Altima	2.5L L4 F/I	33-2374 ♦	HP-1008
Skorpion Tour 660	660		KN-145	Altima	3.5L V6 F/I	33-2031-2 ♦	HP-1008
<b>1993 MZ</b>				Altima Hybrid	2.5L L4 F/I	33-2374 ♦	HP-1010
Saxon Country 500	500		KN-151	Armada	5.6L V8 F/I	33-2286 ♦	HP-1010
Saxon Fun 500	500		KN-151	Camiones	2.4L L4 F/I		HP-1010
Saxon Sport Fun 500	500		KN-151	Cube	1.6L L4 F/I	33-2375	
Saxon Tour 500	500		KN-151	Cube	1.8L L4 F/I	33-2375 ♦	HP-1008
<b>1992 MZ</b>				Frontier	2.5L L4 F/I	33-2324	HP-1008
Saxon Country 500	500		KN-151	Frontier	4.0L V6 F/I	33-2286 ♦	HP-1010
Saxon Fun 500	500		KN-151	GT-R	3.8L V6 F/I	33-2413	HP-1010
Saxon Tour 500	500		KN-151	Juke	1.6L L4 F/I	33-2409	
Silver Star Classic 500	500		KN-151	Maxima	3.5L V6 F/I	33-2031-2 ♦	HP-1008
<b>1991 MZ</b>				Micra	1.2L L4 F/I	33-2060	
Saxon Country 500	500		KN-151	Micra	1.4L L4 F/I	33-2060	
Silver Star Classic 500	500		KN-151	Micra	1.5L L4 DSL	33-2864	
<b>2011 NISSAN</b>				Micra	1.6L L4 F/I	33-2375	
370Z	3.7L V6 F/I	33-2399* ♦	HP-1008	Murano	3.5L V6 F/I	33-2031-2	HP-1008
Altima	2.5L L4 F/I	33-2374 ♦	HP-1008	Navara	2.5L L4 DSL - OEM 16546EB300	33-2080	
Altima	3.5L V6 F/I	33-2031-2 ♦	HP-1008	Note	1.2L L4 F/I	33-2060	
Armada	5.6L V8 F/I	33-2286 ♦	HP-1010	Note	1.4L L4 F/I	33-2060	
Cube	1.6L L4 F/I	33-2375		Note	1.5L L4 DSL	33-2927 ♦	
Cube	1.8L L4 F/I	33-2375	HP-1008	Note	1.6L L4 F/I	33-2375	
Frontier	2.5L L4 F/I		HP-1008	NV200	1.5L L4 DSL	33-2927	
Frontier	4.0L V6 F/I	33-2286 ♦	HP-1010	NV200	1.6L L4 F/I	33-2375	
GT-R	3.8L V6 F/I	33-2413	HP-1008	Pathfinder	2.5L L4 DSL	33-2080	
Juke	1.6L L4 F/I	33-2409	HP-1008	Pathfinder	4.0L V6 F/I	33-2286 ♦	HP-1010
Maxima	3.5L V6 F/I	33-2031-2 ♦	HP-1008	Pathfinder	5.6L V8 F/I	33-2286	HP-1010
Murano	3.5L V6 F/I	33-2031-2	HP-1008	Pixo	1.0L L3 F/I	33-2968	
Note	1.4L L4 F/I	33-2060		Qashqai	1.5L L4 DSL	33-2375 ♦	
Note	1.5L L4 DSL	33-2927 ♦		Qashqai	1.6L L4 F/I	33-2944	
Note	1.6L L4 F/I	33-2375		Qashqai	2.0L L4 DSL	33-2944	
NV200	1.5L L4 DSL	33-2927		Qashqai	2.0L L4 F/I	33-2944	
NV200	1.6L L4 F/I	33-2375		Quest	3.5L V6 F/I	33-2031-2	
Pathfinder	4.0L V6 F/I	33-2286 ♦	HP-1010	Rogue	2.5L L4 F/I	33-2409	HP-1008
Pathfinder	5.6L V8 F/I	33-2286	HP-1010	Sentra	2.0L L4 F/I	33-2376	HP-1008
Pixo	1.0L L3 F/I	33-2968		Sentra	2.5L L4 F/I	33-2409 ♦	HP-1008
				Tiida	1.6L L4 F/I	33-2375	
				Tiida	1.8L L4 F/I	33-2375	HP-1008
				Titan	5.6L V8 F/I	33-2286 ♦	HP-1010
				Tsura	1.6L L4 F/I		HP-2008
				Urvan	2.5L L4 F/I		HP-1010
				Versa	1.6L L4 F/I	33-2375	HP-1008
				Versa	1.8L L4 F/I	33-2375	HP-1008
				Xterra	4.0L V6 F/I	33-2286 ♦	HP-1010

\*Indicates 2 filters required

♦ - Intake kit available

Applications updated daily at [knfilters.com](http://knfilters.com) ®

# AIR & OIL FILTERS

# NISSAN

Vehicle	Engine Type	Air Filter	Oil Filter	Vehicle	Engine Type	Air Filter	Oil Filter
<b>2010 NISSAN</b>				<b>2008 NISSAN</b>			
X-Trail	2.0L L4 DSL	33-2944		Maxima	3.5L V6 F/I	33-2031-2 ♦	HP-1008
X-Trail	2.0L L4 F/I	33-2944		Micra	1.0L L4 F/I	33-2060 ♦	
X-Trail	2.5L L4 F/I	33-2031-2	HP-1010	Micra	1.2L L4 F/I	33-2060 ♦	
<b>2009 NISSAN</b>				Micra	1.4L L4 F/I	33-2060 ♦	
350Z	3.5L V6 F/I	33-2399*	HP-1008	Micra	1.5L L4 DSL	33-2864	
370Z	3.7L V6 F/I	33-2399* ♦	HP-1008	Micra	1.6L L4 F/I	33-2375	
370Z Nismo	3.7L V6 F/I	33-2399* ♦	HP-1008	Murano	3.5L V6 F/I	33-2031-2	HP-1008
Altima	2.5L L4 F/I	33-2374 ♦	HP-1008	Navara	2.5L L4 DSL - OEM 16546EB300	33-2080 ♦	
Altima	3.5L V6 F/I	33-2031-2 ♦	HP-1008	Note	1.4L L4 F/I	33-2060	
Altima Hybrid	2.5L L4 F/I	33-2374	HP-1010	Note	1.5L L4 DSL	33-2927 ♦	
Armada	5.6L V8 F/I	33-2286 ♦	HP-1010	Note	1.6L L4 F/I	33-2375	
Cube	1.8L L4 F/I	33-2375 ♦	HP-1008	Pathfinder	2.5L L4 DSL	33-2080	
Frontier	2.5L L4 F/I	33-2324	HP-1008	Pathfinder	4.0L V6 F/I	33-2286 ♦	HP-1010
Frontier	4.0L V6 F/I	33-2286 ♦	HP-1010	Pathfinder	5.6L V8 F/I	33-2286 ♦	HP-1010
GT-R	3.8L V6 F/I	33-2413	HP-1010	Primera	1.8L L4 F/I	33-2031-2	
Maxima	3.5L V6 F/I	33-2031-2 ♦	HP-1008	Primera	2.0L L4 F/I	33-2031-2	
Micra	1.2L L4 F/I	33-2060 ♦		Qashqai	1.5L L4 DSL	33-2375 ♦	
Micra	1.4L L4 F/I	33-2060 ♦		Qashqai	1.6L L4 F/I	33-2944	
Micra	1.5L L4 DSL	33-2864		Qashqai	2.0L L4 DSL	33-2944	
Micra	1.6L L4 F/I	33-2375		Qashqai	2.0L L4 F/I	33-2944	
Murano	3.5L V6 F/I	33-2031-2	HP-1008	Quest	3.5L V6 F/I	33-2031-2	HP-1008
Navara	2.5L L4 DSL - OEM 16546EB300	33-2080 ♦		Rogue	2.5L L4 F/I	33-2409	HP-1008
Note	1.4L L4 F/I	33-2060		Sentra	2.0L L4 F/I	33-2376	HP-1008
Note	1.5L L4 DSL	33-2927 ♦		Sentra	2.5L L4 F/I	33-2409 ♦	HP-1008
Note	1.6L L4 F/I	33-2375		Tiida	1.6L L4 F/I	33-2375	
Pathfinder	2.5L L4 DSL	33-2080		Tiida	1.8L L4 F/I	33-2375	HP-1008
Pathfinder	4.0L V6 F/I	33-2286 ♦	HP-1010	Titan	5.6L V8 F/I	33-2286 ♦	HP-1010
Pathfinder	5.6L V8 F/I	33-2286	HP-1010	Versa	1.8L L4 F/I	33-2375	HP-1008
Pixo	1.0L L3 F/I	33-2968		Versa	4.0L V6 F/I	33-2286 ♦	HP-1010
Qashqai	1.5L L4 DSL	33-2375 ♦		Xterra	2.0L L4 DSL	33-2944	
Qashqai	1.6L L4 F/I	33-2944		X-Trail	2.0L L4 F/I	33-2944	
Qashqai	2.0L L4 DSL	33-2944		X-Trail	2.5L L4 F/I	33-2031-2	HP-1008
Qashqai	2.0L L4 F/I	33-2944		<b>2007 NISSAN</b>			
Quest	3.5L V6 F/I	33-2031-2	HP-1008	350Z	3.5L V6 F/I	33-2399* ♦	HP-1008
Rogue	2.5L L4 F/I	33-2409	HP-1008	Almera II	1.5L L4 F/I	33-2031-2	
Sentra	2.0L L4 F/I	33-2376	HP-1008	Altima	2.5L L4 F/I	33-2374 ♦	HP-1010
Sentra	2.5L L4 F/I	33-2409 ♦	HP-1008	Altima	3.5L V6 F/I	33-2031-2 ♦	HP-1008
Tiida	1.6L L4 F/I	33-2375		Altima Hybrid	2.5L L4 F/I	33-2374	HP-1010
Tiida	1.8L L4 F/I	33-2375	HP-1008	Armada	5.6L V8 F/I	33-2286 ♦	HP-1010
Titan	5.6L V8 F/I	33-2286 ♦	HP-1010	D21 Pickup	2.4L L4 F/I		HP-1010
Versa	1.6L L4 F/I	33-2375	HP-1008	Frontier	2.5L L4 F/I	33-2324	HP-1008
Versa	1.8L L4 F/I	33-2375	HP-1008	Frontier	4.0L V6 F/I	33-2286 ♦	HP-1010
Xterra	4.0L V6 F/I	33-2286 ♦	HP-1010	Interstar	2.2L L4 DSL	33-2892	
X-Trail	2.0L L4 DSL	33-2944		Interstar	2.5L L4 DSL	33-2892	
X-Trail	2.0L L4 F/I	33-2944		Interstar	3.0L V6 DSL	33-2891	
X-Trail	2.5L L4 F/I	33-2031-2		Kubistar	1.2L L4 F/I - 16v	33-2860	
<b>2008 NISSAN</b>				Kubistar	1.2L L4 F/I - 8v	E-9238	
350Z	3.5L V6 F/I	33-2399* ♦	HP-1008	Kubistar	1.5L L4 DSL	33-2864	
Altima	2.5L L4 F/I	33-2374 ♦	HP-1008	Kubistar	1.6L L4 F/I	33-2194	
Altima	3.5L V6 F/I	33-2031-2 ♦	HP-1008	Maxima	3.5L V6 F/I	33-2031-2 ♦	HP-1008
Altima Hybrid	2.5L L4 F/I	33-2374	HP-1010	Micra	1.0L L4 F/I	33-2060 ♦	
Armada	5.6L V8 F/I	33-2286 ♦	HP-1010	Micra	1.2L L4 F/I	33-2060 ♦	
D21 Pickup	2.4L L4 F/I		HP-1010	Micra	1.4L L4 F/I	33-2060 ♦	
Frontier	2.5L L4 F/I	33-2324	HP-1008	Micra	1.5L L4 DSL	33-2864	
Frontier	4.0L V6 F/I	33-2286 ♦	HP-1010	Micra	1.6L L4 F/I	33-2375	
Interstar	2.2L L4 DSL	33-2892		Murano	3.5L V6 F/I	33-2031-2	HP-1008
Interstar	2.5L L4 DSL	33-2892		Navara	2.5L L4 DSL - OEM 16546EB300	33-2080 ♦	
Interstar	3.0L V6 DSL	33-2891		Note	1.4L L4 F/I	33-2060	
Kubistar	1.2L L4 F/I - 16v	33-2860		Note	1.5L L4 DSL	33-2927 ♦	
Kubistar	1.2L L4 F/I - 8v	E-9238		Note	1.6L L4 F/I	33-2375	
Kubistar	1.5L L4 DSL	33-2864		Pathfinder	2.5L L4 DSL	33-2080	
Kubistar	1.6L L4 F/I	33-2194		Pathfinder	4.0L V6 F/I	33-2286 ♦	HP-1010

\*Indicates 2 filters required      ♦ - Intake kit available      Applications updated daily at [knfilters.com](http://knfilters.com) ®

**Partial Listing - Complete List of Vehicles and Applications at [knfilters.com](http://knfilters.com)**

# NISSAN

# AIR & OIL FILTERS

Vehicle	Engine Type	Air Filter	Oil Filter	Vehicle	Engine Type	Air Filter	Oil Filter
<b>2007 NISSAN</b>				<b>2006 NISSAN</b>			
Primera	1.8L L4 F/I	33-2031-2		X-Trail	2.0L L4 F/I	33-2031-2	
Primera	2.0L L4 F/I	33-2031-2		X-Trail	2.2L L4 DSL	33-2031-2	
Qashqai	1.5L L4 DSL	33-2375 ♦		X-Trail	2.5L L4 F/I	33-2031-2	HP-1008
Qashqai	1.6L L4 F/I	33-2944		<b>2005 NISSAN</b>			
Qashqai	2.0L L4 DSL	33-2944		350Z	3.5L V6 F/I	33-2031-2 ♦	HP-1008
Qashqai	2.0L L4 F/I	33-2944		Almera II	1.5L L4 DSL	33-2864	
Quest	3.5L V6 F/I	33-2031-2	HP-1008	Almera II	1.5L L4 F/I	33-2031-2 ♦	
Sentra	2.0L L4 F/I	33-2376	HP-1008	Almera II	1.8L L4 F/I	33-2031-2 ♦	HP-1008
Sentra	2.5L L4 F/I	33-2409 ♦	HP-1008	Almera II	2.2L L4 DSL	33-2031-2	
Tiida	1.8L L4 F/I		HP-1008	Almera Tino	1.8L L4 F/I	33-2031-2	
Titan	5.6L V8 F/I	33-2286 ♦	HP-1010	Almera Tino	2.0L L4 F/I	33-2031-2	
Urvan	2.4L L4 F/I		HP-1010	Almera Tino	2.2L L4 DSL	33-2031-2	
Versa	1.8L L4 F/I	33-2375	HP-1008	Altimax	2.5L L4 F/I	33-2031-2 ♦	HP-1010
Xterra	4.0L V6 F/I	33-2286 ♦	HP-1010	Altimax	3.5L V6 F/I	33-2031-2 ♦	HP-1008
X-Trail	2.0L L4 DSL	33-2944		Armada	5.6L V8 F/I	33-2286 ♦	HP-1010
X-Trail	2.0L L4 F/I	33-2944		D21 Pickup	2.4L L4 F/I		HP-1010
X-Trail	2.2L L4 DSL	33-2031-2		Frontier	2.5L L4 DSL	E-2020	
X-Trail	2.5L L4 F/I	33-2031-2	HP-1008	Frontier	2.5L L4 F/I	33-2324	HP-1008
<b>2006 NISSAN</b>				Frontier	4.0L V6 F/I	33-2286 ♦	HP-1010
350Z	3.5L V6 F/I	33-2031-2 ♦	HP-1008	Interstar	1.9L L4 DSL	33-2884	
Almera II	1.5L L4 DSL	33-2864		Interstar	2.2L L4 DSL	33-2892	
Almera II	1.5L L4 F/I	33-2031-2 ♦		Interstar	2.5L L4 DSL	33-2892	
Almera II	1.8L L4 F/I	33-2031-2 ♦	HP-1008	Interstar	3.0L V6 DSL	33-2891	
Almera II	2.2L L4 DSL	33-2031-2		Kubistar	1.2L L4 F/I	E-9238	
Almera Tino	1.8L L4 F/I	33-2031-2		Kubistar	1.5L L4 DSL	33-2864	
Almera Tino	2.2L L4 DSL	33-2031-2		Kubistar	1.6L L4 F/I	33-2194	
Altimax	2.5L L4 F/I	33-2031-2 ♦	HP-1010	Maxima	2.0L V6 F/I	33-2031-2	
Altimax	3.5L V6 F/I	33-2031-2 ♦	HP-1008	Maxima	3.0L V6 F/I	33-2031-2	
Armada	5.6L V8 F/I	33-2286 ♦	HP-1010	Maxima	3.5L V6 F/I	33-2031-2 ♦	HP-1008
D21 Pickup	2.4L L4 F/I		HP-1010	Micra	1.0L L4 F/I	33-2060 ♦	
Frontier	2.5L L4 F/I	33-2324	HP-1008	Micra	1.2L L4 F/I	33-2060 ♦	
Frontier	4.0L V6 F/I	33-2286 ♦	HP-1010	Micra	1.4L L4 F/I	33-2060 ♦	
Interstar	1.9L L4 DSL	33-2884		Micra	1.5L L4 DSL	33-2864	
Interstar	2.2L L4 DSL	33-2892		Micra	1.6L L4 F/I	33-2375	
Interstar	2.5L L4 DSL	33-2892		Murano	3.5L V6 F/I	33-2031-2	HP-1008
Interstar	3.0L V6 DSL	33-2891		Navara	2.5L L4 DSL - OEM 16546EB300	33-2080 ♦	
Kubistar	1.2L L4 F/I - 16v	33-2860		Navara	3.0L L4 DSL	33-2031-2	HP-1003
Kubistar	1.2L L4 F/I - 8v	E-9238		Pathfinder	2.5L L4 DSL	33-2080	
Kubistar	1.5L L4 DSL	33-2864		Pathfinder	4.0L V6 F/I	33-2286 ♦	HP-1010
Kubistar	1.6L L4 F/I	33-2194		Patrol	3.0L L6 DSL	E-9267	
Maxima	3.5L V6 F/I	33-2031-2 ♦	HP-1008	Primastar	1.9L L4 DSL	33-2215	
Micra	1.0L L4 F/I	33-2060 ♦		Primera	1.6L L4 F/I	33-2031-2	
Micra	1.2L L4 F/I	33-2060 ♦		Primera	1.8L L4 F/I	33-2031-2	
Micra	1.4L L4 F/I	33-2060 ♦		Primera	2.0L L4 F/I	33-2031-2	
Micra	1.5L L4 DSL	33-2864		Primera	2.2L L4 DSL	33-2031-2	
Micra	1.6L L4 F/I	33-2375		Quest	3.5L V6 F/I	33-2031-2	HP-1008
Murano	3.5L V6 F/I	33-2031-2	HP-1008	Sentra	1.8L L4 F/I	33-2031-2	HP-1010
Navara	2.5L L4 DSL - OEM 16546EB300	33-2080 ♦		Sentra	2.5L L4 F/I	33-2031-2 ♦	HP-1010
Note	1.4L L4 F/I	33-2060		Terrano II	2.4L L4 F/I	33-2031-2	
Note	1.5L L4 DSL	33-2927 ♦		Titan	5.6L V8 F/I	33-2286 ♦	HP-1010
Note	1.6L L4 F/I	33-2375		Urvan	2.4L L4 F/I		HP-1010
Pathfinder	2.5L L4 DSL	33-2080		Xterra	4.0L V6 F/I	33-2286 ♦	HP-1010
Pathfinder	4.0L V6 F/I	33-2286 ♦	HP-1010	X-Trail	2.0L L4 F/I	33-2031-2	
Primera	1.6L L4 F/I	33-2031-2		X-Trail	2.2L L4 DSL	33-2031-2	
Primera	1.8L L4 F/I	33-2031-2		X-Trail	2.5L L4 F/I	33-2031-2	HP-1008
Primera	2.0L L4 F/I	33-2031-2		<b>2004 NISSAN</b>			
Primera	2.2L L4 DSL	33-2031-2		350Z	3.5L V6 F/I	33-2031-2 ♦	HP-1008
Quest	3.5L V6 F/I	33-2031-2	HP-1008	Almera II	1.5L L4 DSL	33-2864	
Sentra	1.8L L4 F/I	33-2031-2	HP-1010	Almera II	1.5L L4 F/I	33-2031-2 ♦	
Sentra	2.5L L4 F/I	33-2031-2 ♦	HP-1010	Almera II	1.8L L4 F/I	33-2031-2 ♦	HP-1008
Titan	5.6L V8 F/I	33-2286 ♦	HP-1010	Almera II	2.2L L4 DSL	33-2031-2	
Urvan	2.4L L4 F/I		HP-1010	Almera Tino	1.8L L4 F/I	33-2031-2	
Xterra	4.0L V6 F/I	33-2286 ♦	HP-1010				

\*Indicates 2 filters required

♦ - Intake kit available

Applications updated daily at [knfilters.com](http://knfilters.com) ®

# AIR & OIL FILTERS

# NISSAN

Vehicle	Engine Type	Air Filter	Oil Filter	Vehicle	Engine Type	Air Filter	Oil Filter
<b>2004 NISSAN</b>				<b>2003 NISSAN</b>			
Almera Tino	2.0L L4 F/I	33-2031-2		D22 Pickup	2.5L L4 DSL - exc. Turbo	E-2760	
Almera Tino	2.2L L4 DSL	33-2031-2		D22 Pickup	2.5L L4 DSL - Turbo	E-9251	
Altima	2.5L L4 F/I	33-2031-2 ♦	HP-1010	Frontier	2.4L L4 F/I	E-9233	HP-1010
Altima	3.5L V6 F/I	33-2031-2 ♦	HP-1008	Frontier	3.3L V6 F/I	33-2031-2 ♦	HP-1010
D21 Pickup	2.4L L4 F/I		HP-1010	Interstar	1.9L L4 DSL	33-2884	
D22 Pickup	2.4L L4 F/I	E-9233		Interstar	2.2L L4 DSL - from 11/03	33-2892	
D22 Pickup	2.5L L4 DSL - exc. Turbo	E-2760		Interstar	2.2L L4 DSL - to 10/03	33-2884	
D22 Pickup	2.5L L4 DSL - Turbo	E-9251		Interstar	2.5L L4 DSL - from 11/03	33-2892	
Frontier	2.4L L4 F/I	E-9233	HP-1010	Interstar	2.5L L4 DSL - to 10/03	33-2884	
Frontier	2.5L L4 DSL	E-2020		Interstar	3.0L V6 DSL	33-2891	
Frontier	3.3L V6 F/I	33-2031-2 ♦	HP-1010	Kubistar	1.2L L4 F/I	E-9238	
Interstar	1.9L L4 DSL	33-2884		Kubistar	1.5L L4 DSL	33-2864	
Interstar	2.2L L4 DSL	33-2892		Kubistar	1.6L L4 F/I	33-2194	
Interstar	2.5L L4 DSL	33-2892		Maxima	2.0L V6 F/I	33-2031-2	
Interstar	3.0L V6 DSL	33-2891		Maxima	3.0L V6 F/I	33-2031-2	
Kubistar	1.2L L4 F/I	E-9238		Maxima	3.5L V6 F/I	33-2031-2	HP-1008
Kubistar	1.5L L4 DSL	33-2864		Micra	1.0L L4 F/I	33-2060 ♦	
Kubistar	1.6L L4 F/I	33-2194		Micra	1.2L L4 F/I	33-2060 ♦	
Maxima	2.0L V6 F/I	33-2031-2		Micra	1.4L L4 F/I	33-2060 ♦	
Maxima	3.0L V6 F/I	33-2031-2		Micra	1.5L L4 DSL	33-2864	
Maxima	3.5L V6 F/I	33-2031-2 ♦	HP-1008	Micra	1.0L L4 F/I	33-2060 ♦	
Micra	1.0L L4 F/I	33-2060 ♦		Murano	3.5L V6 F/I	33-2031-2	HP-1008
Micra	1.2L L4 F/I	33-2060 ♦		Pathfinder	2.7L L6 DSL	33-2031-2	
Micra	1.4L L4 F/I	33-2060 ♦		Pathfinder	3.3L V6 F/I	33-2031-2	
Micra	1.5L L4 DSL	33-2864		Pathfinder	3.5L V6 F/I	33-2031-2 ♦	HP-1008
Murano	3.5L V6 F/I	33-2031-2	HP-1008	Patrol	3.0L L6 DSL	E-9267	
Navara	3.0L L4 DSL	33-2031-2	HP-1003	Patrol	4.2L L6 DSL	E-9267	
Pathfinder	2.7L L6 DSL	33-2031-2		Primastar	1.9L L4 DSL	33-2215	
Pathfinder	3.3L V6 F/I	33-2031-2		Primera	1.6L L4 F/I	33-2031-2	
Pathfinder	3.5L V6 F/I	33-2031-2 ♦	HP-1008	Primera	1.8L L4 F/I	33-2031-2	
Pathfinder	5.6L V8 F/I	33-2286 ♦	HP-1010	Primera	2.0L L4 F/I	33-2031-2	
Patrol	3.0L L6 DSL	E-9267		Primera	2.2L L4 DSL	33-2031-2	
Patrol	4.2L L6 DSL	E-9267		Quest	3.3L V6 F/I	33-2091-1	
Primastar	1.9L L4 DSL	33-2215		Sentra	1.8L L4 F/I	33-2031-2	HP-1008
Primera	1.6L L4 F/I	33-2031-2		Sentra	2.5L L4 F/I	33-2031-2 ♦	HP-1010
Primera	1.8L L4 F/I	33-2031-2		Terrano II	2.4L L4 F/I	33-2031-2	
Primera	2.0L L4 F/I	33-2031-2		Terrano II	3.0L L4 F/I	E-9251	
Primera	2.2L L4 DSL	33-2031-2		Urvan	2.4L L4 F/I		HP-1010
Quest	3.5L V6 F/I	33-2031-2	HP-1008	Urvan	2.4L L4 F/I	E-9233	HP-1010
Sentra	1.8L L4 F/I	33-2031-2	HP-1010	Xterra	3.3L V6 F/I	33-2031-2 ♦	HP-1010
Sentra	2.5L L4 F/I	33-2031-2 ♦	HP-1010	X-Trail	2.0L L4 F/I	33-2031-2	
Terrano II	2.4L L4 F/I	33-2031-2		X-Trail	2.2L L4 DSL	33-2031-2	
Titan	5.6L V8 F/I	33-2286 ♦	HP-1010	X-Trail	2.5L L4 F/I	33-2031-2	
Urvan	2.4L L4 F/I		HP-1010	<b>2002 NISSAN</b>			
Xterra	2.4L L4 F/I	E-9233	HP-1010	3000TD	3.0L DSL	E-2860	
Xterra	3.3L V6 F/I	33-2031-2 ♦	HP-1010	3300i	3.3L L6 F/I	E-2860	
X-Trail	2.0L L4 F/I	33-2031-2		Almera II	1.5L L4 DSL	33-2864	
X-Trail	2.2L L4 DSL	33-2031-2		Almera II	1.5L L4 F/I	33-2031-2 ♦	
X-Trail	2.5L L4 F/I	33-2031-2		Almera II	1.8L L4 F/I	33-2031-2 ♦	HP-1008
<b>2003 NISSAN</b>				Almera II	2.2L L4 DSL	33-2031-2	
350Z	3.5L V6 F/I	33-2031-2 ♦	HP-1008	Almera Tino	1.8L L4 F/I	33-2031-2	
Almera II	1.5L L4 DSL	33-2864		Almera Tino	2.0L L4 F/I	33-2031-2	
Almera II	1.5L L4 F/I	33-2031-2 ♦		Almera Tino	2.2L L4 DSL	33-2031-2	
Almera II	1.8L L4 F/I	33-2031-2 ♦	HP-1008	Altima	2.5L L4 F/I	33-2031-2 ♦	HP-1010
Almera II	2.2L L4 DSL	33-2031-2		Altima	3.5L V6 F/I	33-2031-2	HP-1008
Almera Tino	1.8L L4 F/I	33-2031-2		D21 Pickup	2.4L L4 F/I		HP-1010
Almera Tino	2.0L L4 F/I	33-2031-2		D22 Pickup	2.4L L4 F/I	E-9233	
Almera Tino	2.2L L4 DSL	33-2031-2		D22 Pickup	2.5L L4 DSL - exc. Turbo	E-2760	
Altima	2.5L L4 F/I	33-2031-2 ♦	HP-1010	D22 Pickup	2.5L L4 DSL - Turbo	E-9251	
Altima	3.5L V6 F/I	33-2031-2	HP-1008	Frontier	2.4L L4 F/I	E-9233	HP-1010
D21 Pickup	2.4L L4 F/I		HP-1010	Frontier	3.3L V6 F/I	33-2031-2 ♦	HP-1010
D22 Pickup	2.4L L4 F/I	E-9233		Interstar	1.9L L4 DSL	33-2884	
				Interstar	2.2L L4 DSL	33-2884	

\*Indicates 2 filters required      ♦ - Intake kit available      Applications updated daily at [knfilters.com](http://knfilters.com) ®

**Partial Listing - Complete List of Vehicles and Applications at [knfilters.com](http://knfilters.com)**

# NISSAN

# AIR & OIL FILTERS

Vehicle	Engine Type	Air Filter	Oil Filter	Vehicle	Engine Type	Air Filter	Oil Filter
<b>2002 NISSAN</b>				<b>2001 NISSAN</b>			
Interstar	2.5L L4 DSL	33-2884		Serena	1.6L L4 F/I	33-2031-2	
Maxima	2.0L V6 F/I	33-2031-2		Serena	2.0L L4 DSL	33-2031-2	
Maxima	3.0L V6 F/I	33-2031-2		Serena	2.0L L4 F/I	33-2031-2	
Maxima	3.5L V6 F/I	33-2031-2	HP-1008	Serena	2.3L L4 DSL	33-2031-2	
Micra	1.0L L4 F/I	33-2060 ♦		Terrano II	2.4L L4 F/I	33-2031-2	
Micra	1.4L L4 F/I	33-2060 ♦		Terrano II	2.7L L4 DSL	E-9251	
Pathfinder	2.7L L6 DSL	33-2031-2		Tsubame	1.6L L4 F/I - GA16DNE Eng., w/20mm Thd.		HP-1010
Pathfinder	3.3L V6 F/I	33-2031-2		Urvan	2.4L L4 F/I		HP-1010
Pathfinder	3.5L V6 F/I	33-2031-2 ♦	HP-1008	Xterra	2.4L L4 F/I	E-9233	HP-1010
Patrol	3.0L L6 DSL	E-9267		Xterra	3.3L V6 F/I	33-2031-2 ♦	HP-1010
Patrol	4.5L L6 F/I	E-9266		X-Trail	2.0L L4 F/I	33-2031-2	
Primastar	1.9L L4 DSL	33-2215		X-Trail	2.2L L4 DSL	33-2031-2	
Primera	1.8L L4 F/I	33-2031-2 ♦		<b>2000 NISSAN</b>			
Primera	2.0L L4 DSL	33-2031-2		3000TD	3.0L DSL	E-2860	
Primera	2.0L L4 F/I	33-2031-2		3300i	3.3L L6 F/I	E-2860	
Primera	2.2L L4 DSL	33-2031-2		Almera I	1.4L L4 F/I	33-2036 ♦	
Quest	3.3L V6 F/I	33-2091-1	HP-1010	Almera I	1.6L L4 F/I	33-2036 ♦	
Sentra	1.8L L4 F/I	33-2031-2	HP-1008	Almera I	2.0L L4 DSL	33-2031-2	
Sentra	2.5L L4 F/I	33-2031-2 ♦	HP-1010	Almera I	2.0L L4 F/I	33-2031-2 ♦	
Terrano II	2.4L L4 F/I	33-2031-2		Almera II	1.5L L4 F/I	33-2031-2 ♦	
Terrano II	2.7L L4 DSL	E-9251		Almera II	1.8L L4 F/I	33-2031-2 ♦	HP-1008
Terrano II	3.0L L4 F/I	E-9251		Almera II	2.2L L4 DSL	33-2031-2	
Tsubame	1.6L L4 F/I - GA16DNE Eng., w/20mm Thd.		HP-1010	Almera Tino	1.8L L4 F/I	33-2031-2	
Urvan	2.4L L4 F/I		HP-1010	Almera Tino	2.0L L4 F/I	33-2031-2	
Xterra	2.4L L4 F/I	E-9233	HP-1010	Almera Tino	2.2L L4 DSL	33-2031-2	
Xterra	3.3L V6 F/I	33-2031-2 ♦	HP-1010	Altima	2.4L L4 F/I	33-2031-2	HP-1010
X-Trail	2.0L L4 F/I	33-2031-2		D21 Pickup	2.4L L4 F/I		HP-1010
X-Trail	2.2L L4 DSL	33-2031-2		D22 Pickup	2.4L L4 F/I	E-9233	
<b>2001 NISSAN</b>				D22 Pickup	2.5L L4 DSL - exc. Turbo	E-2760	
3000TD	3.0L DSL	E-2860		D22 Pickup	2.5L L4 DSL - Turbo	E-9251	
3300i	3.3L L6 F/I	E-2860		Estacas	2.4L L4 F/I		HP-1002
Almera II	1.5L L4 F/I	33-2031-2 ♦		Frontier	2.4L L4 F/I	E-9233	HP-1010
Almera II	1.8L L4 F/I	33-2031-2 ♦	HP-1008	Frontier	3.3L V6 F/I	33-2031-2 ♦	HP-1010
Almera II	2.2L L4 DSL	33-2031-2		Lucino GSR	2.0L L4 F/I - SR20 Eng.		HP-1010
Almera Tino	1.8L L4 F/I	33-2031-2		Maxima	2.0L V6 F/I	33-2031-2	
Almera Tino	2.0L L4 F/I	33-2031-2		Maxima	3.0L V6 F/I	33-2031-2	HP-1010
Almera Tino	2.2L L4 DSL	33-2031-2		Micra	1.0L L4 F/I	33-2060 ♦	
Altima	2.4L L4 F/I	33-2031-2	HP-1010	Micra	1.3L L4 F/I	33-2060 ♦	
D21 Pickup	2.4L L4 F/I		HP-1010	Micra	1.4L L4 F/I	33-2060 ♦	
D22 Pickup	2.4L L4 F/I	E-9233		Pathfinder	2.7L L6 DSL	33-2031-2	
D22 Pickup	2.5L L4 DSL - exc. Turbo	E-2760		Pathfinder	3.3L V6 F/I	33-2031-2	HP-1010
D22 Pickup	2.5L L4 DSL - Turbo	E-9251		Pathfinder	3.5L V6 F/I	33-2031-2	
Estacas	2.4L L4 F/I		HP-1002	Patrol	2.7L V6 DSL	38-9102	
Frontier	2.4L L4 F/I	E-9233	HP-1010	Patrol	3.0L L6 DSL	E-9267	
Frontier	3.3L V6 F/I	33-2031-2 ♦	HP-1010	Patrol II	2.8L V6 DSL	E-9267	
Lucino GSR	2.0L L4 F/I - SR20 Eng.		HP-1010	Primera	1.8L L4 F/I	33-2031-2 ♦	
Maxima	2.0L V6 F/I	33-2031-2		Primera	2.0L L4 DSL	33-2031-2	
Maxima	3.0L V6 F/I	33-2031-2	HP-1010	Primera	2.0L L4 F/I	33-2031-2	
Micra	1.0L L4 F/I	33-2060 ♦		Quest	3.3L V6 F/I	33-2091-1	HP-1010
Micra	1.4L L4 F/I	33-2060 ♦		Sentra	1.8L L4 F/I	33-2031-2	HP-1008
Pathfinder	2.7L L6 DSL	33-2031-2		Sentra	2.0L L4 F/I	33-2031-2	HP-1008
Pathfinder	3.3L V6 F/I	33-2031-2		Serena	1.6L L4 F/I	33-2031-2	
Pathfinder	3.5L V6 F/I	33-2031-2 ♦	HP-1010	Serena	2.0L L4 DSL	33-2031-2	
Patrol	2.7L V6 DSL	38-9102		Serena	2.0L L4 F/I	33-2031-2	
Patrol	3.0L L6 DSL	E-9267		Serena	2.3L L4 DSL	33-2031-2	
Primastar	1.9L L4 DSL	33-2215		Terrano II	2.4L L4 F/I	33-2031-2	
Primera	1.8L L4 F/I	33-2031-2 ♦		Terrano II	2.7L L4 DSL	E-9251	
Primera	2.0L L4 DSL	33-2031-2		Tsubame	1.6L L4 F/I - GA16DE Eng.		HP-2008
Primera	2.0L L4 F/I	33-2031-2		Tsuru	1.6L L4 F/I - GA16DE Eng.		HP-2008
Quest	3.3L V6 F/I	33-2091-1	HP-1010	Urvan	2.4L L4 F/I		HP-1010
Sentra	1.8L L4 F/I	33-2031-2	HP-1008				
Sentra	2.0L L4 F/I	33-2031-2	HP-1008				

\*Indicates 2 filters required

♦ - Intake kit available

Applications updated daily at [knfilters.com](http://knfilters.com) ®

# AIR & OIL FILTERS

# NISSAN

Vehicle	Engine Type	Air Filter	Oil Filter	Vehicle	Engine Type	Air Filter	Oil Filter
<b>2000 NISSAN</b>				<b>1998 NISSAN</b>			
Xterra	2.4L L4 F/I	E-9233	HP-1010	Micra	1.0L L4 F/I	33-2060 ♦	
Xterra	3.3L V6 F/I	33-2031-2 ♦	HP-1010	Micra	1.3L L4 F/I	33-2060 ♦	
<b>1999 NISSAN</b>				<b>1997 NISSAN</b>			
200SX	2.0L L4 F/I	33-2031-2 ♦		200SX	1.6L L4 F/I	33-2031-2	HP-2008
Almera I	1.4L L4 F/I	33-2036 ♦		200SX	2.0L L4 F/I	33-2031-2 ♦	HP-1008
Almera I	1.6L L4 F/I	33-2036 ♦		240SX	2.4L L4 F/I	33-2031-2 ♦	HP-2008
Almera I	2.0L L4 DSL	33-2031-2		Almera I	1.4L L4 F/I	33-2036 ♦	
Almera I	2.0L L4 F/I	33-2031-2 ♦		Almera I	1.6L L4 F/I	33-2036 ♦	
Altima	2.4L L4 F/I	33-2031-2	HP-1010	Almera I	2.0L L4 DSL	33-2031-2	
D22 Pickup	2.4L L4 F/I	E-9233		Almera I	2.0L L4 F/I	33-2031-2 ♦	
D22 Pickup	2.5L L4 DSL - exc. Turbo	E-2760		Altima	2.4L L4 F/I	33-2031-2	HP-2008
D22 Pickup	2.5L L4 DSL - Turbo	E-9251		D21 Pickup	2.4L L4 F/I	E-9233	
Estacas	2.4L L4 F/I		HP-1002	D21 Pickup	2.5L L4 DSL	E-2760	
Frontier	2.4L L4 F/I	E-9233	HP-1010	Estacas	2.4L L4 F/I		HP-1002
Frontier	3.3L V6 F/I	33-2031-2 ♦	HP-1010	Lucino	1.6L L4 F/I - GA16 Eng.		HP-2008
Lucino	1.6L L4 F/I - GA16 Eng.		HP-2008	Maxima	2.0L V6 F/I	33-2031-2	
Maxima	2.0L V6 F/I	33-2031-2		Maxima	3.0L V6 F/I	33-2031-2	HP-1010
Maxima	3.0L V6 F/I	33-2031-2	HP-1010	Micra	1.0L L4 F/I	33-2060 ♦	
Micra	1.0L L4 F/I	33-2060 ♦		Micra	1.3L L4 F/I	33-2060 ♦	
Micra	1.3L L4 F/I	33-2060 ♦		Pathfinder	2.7L L6 DSL	33-2031-2	
Pathfinder	2.7L L6 DSL	33-2031-2		Pathfinder	3.3L V6 F/I	33-2031-2	HP-1010
Pathfinder	3.3L V6 F/I	33-2031-2	HP-1010	Patrol	2.8L V6 DSL	38-9102	
Patrol	2.7L V6 DSL	38-9102		Patrol	4.5L L6 F/I	E-9266	HP-1010
Patrol	4.5L L6 F/I	E-9266	HP-1010	Patrol II	2.8L V6 DSL	E-9267	
Patrol II	2.8L V6 DSL	E-9267		Pickup	2.4L L4 F/I	E-9233	
Pickup	2.4L L4 F/I	E-9233		Primera	1.8L L4 F/I	33-2031-2 ♦	
Primera	1.8L L4 F/I	33-2031-2 ♦		Primera	2.0L L4 DSL	33-2031-2	
Primera	2.0L L4 DSL	33-2031-2		Primera	2.0L L4 F/I	33-2031-2 ♦	
Primera	2.0L L4 F/I	33-2031-2 ♦		Quest	3.3L V6 F/I	33-2091-1	HP-2008
Quest	3.3L V6 F/I	33-2091-1	HP-1010	Sentra	1.6L L4 F/I	33-2031-2	HP-2008
Sentra	1.6L L4 F/I	33-2031-2	HP-2008	Sentra	2.0L L4 F/I	33-2031-2	HP-1008
Sentra	2.0L L4 F/I	33-2031-2	HP-1008	Serena	1.6L L4 F/I	33-2031-2	
Serena	1.6L L4 F/I	33-2031-2		Serena	2.0L L4 DSL	33-2031-2	
Serena	2.0L L4 DSL	33-2031-2		Serena	2.0L L4 F/I	33-2031-2	
Serena	2.0L L4 F/I	33-2031-2		Serena	2.3L L4 DSL	33-2031-2	
Serena	2.3L L4 DSL	33-2031-2		Terrano II	2.4L L4 F/I	33-2031-2	
Serena	2.4L L4 F/I	33-2031-2		Terrano II	2.7L L4 DSL	E-9251	
Terrano II	2.4L L4 F/I	33-2031-2		Tsubame	1.6L L4 F/I - GA16DE Eng.		HP-2008
Terrano II	2.7L L4 DSL	E-9251		Tsubame	1.6L L4 F/I - GA16DE Eng.		HP-2008
Tsubame	1.6L L4 F/I - GA16DE Eng.		HP-2008	Tsuru	1.6L L4 F/I - GA16DE Eng.		HP-2008
Tsuru	1.6L L4 F/I - GA16DE Eng.		HP-2008				
<b>1998 NISSAN</b>							
200SX	1.6L L4 F/I	33-2031-2	HP-2008				
200SX	2.0L L4 F/I	33-2031-2 ♦	HP-1008				
240SX	2.4L L4 F/I	33-2031-2 ♦	HP-2008				
Almera I	1.4L L4 F/I	33-2036 ♦					
Almera I	1.6L L4 F/I	33-2036 ♦					
Almera I	2.0L L4 DSL	33-2031-2					
Almera I	2.0L L4 F/I	33-2031-2 ♦					
Altima	2.4L L4 F/I	33-2031-2	HP-1010				
D21 Pickup	2.4L L4 F/I	E-9233					
D21 Pickup	2.5L L4 DSL	E-2760					
D22 Pickup	2.4L L4 F/I	E-9233					
D22 Pickup	2.5L L4 DSL - exc. Turbo	E-2760					
D22 Pickup	2.5L L4 DSL - Turbo	E-9251					
Estacas	2.4L L4 F/I		HP-1002				
Frontier	2.4L L4 F/I	E-9233	HP-1010				
Lucino	1.6L L4 F/I - GA16 Eng.		HP-2008				
Maxima	2.0L V6 F/I	33-2031-2					
Maxima	3.0L V6 F/I	33-2031-2	HP-1010				

\*Indicates 2 filters required

♦ - Intake kit available

Applications updated daily at [knfilters.com](http://knfilters.com) ®

Partial Listing - Complete List of Vehicles and Applications at [knfilters.com](http://knfilters.com)

# NISSAN

# AIR & OIL FILTERS

Vehicle	Engine Type	Air Filter	Oil Filter	Vehicle	Engine Type	Air Filter	Oil Filter
<b>1996 NISSAN</b>				<b>1995 NISSAN</b>			
200SX	1.6L L4 F/I	33-2031-2	HP-2008	Pickup	2.4L L4 F/I	E-9233	HP-2008
200SX	2.0L L4 F/I	33-2031-2 ♦	HP-1008	Pickup	3.0L V6 F/I	33-2031-2	HP-2008
240SX	2.4L L4 F/I	33-2031-2 ♦	HP-2008	Primera	2.0L L4 DSL	33-2031-2	
300ZX	3.0L V6 F/I	33-2036*	HP-2008	Primera	2.0L L4 F/I	33-2031-2 ♦	
Almera I	1.4L L4 F/I	33-2036 ♦		Quest	3.0L V6 F/I	33-2091-1	HP-2008
Almera I	1.6L L4 F/I	33-2036 ♦		QX	2.0L L4 F/I	33-2031-2	
Almera I	2.0L L4 DSL	33-2031-2		QX	3.0L V6 F/I	33-2031-2	
Almera I	2.0L L4 F/I	33-2031-2 ♦		Sentra	1.6L L4 F/I	33-2031-2	HP-2008
Altima	2.4L L4 F/I	33-2031-2	HP-2008	Sentra	1.6L L4 F/I	33-2031-2	
D21 Pickup	2.4L L4 F/I - 101BHP	E-2813		Serena	2.0L L4 DSL	33-2031-2	
D21 Pickup	2.4L L4 F/I - 124BHP	E-9233		Serena	2.0L L4 F/I	33-2031-2	
D21 Pickup	2.5L L4 DSL	E-2760		Serena	2.3L L4 DSL	33-2031-2	
Estacas	2.4L L4 F/I		HP-1002	Sunny III	1.4L L4 F/I - GA14DE Eng.	33-2036	
Lucino	1.6L L4 F/I - GA16 Eng.		HP-2008	Sunny III	1.4L L4 F/I - GA14DS Eng.	E-9192	
Maxima	2.0L V6 F/I	33-2031-2		Sunny III	1.6L L4 F/I - 102BHP	33-2036	
Maxima	3.0L V6 F/I	33-2031-2	HP-1010	Sunny III	1.6L L4 F/I - 90BHP	E-9192	
Micra	1.0L L4 F/I	33-2060 ♦		Sunny III	2.0L L4 DSL	33-2031-2	
Micra	1.3L L4 F/I	33-2060 ♦		Sunny III	2.0L L4 F/I	33-2031-2 ♦	
NX	1.6L L4 F/I	33-2036		Terrano I	2.7L L4 DSL	E-9136	
Pathfinder	3.3L V6 F/I	33-2031-2	HP-1010	Terrano I	3.0L L4 F/I	33-2031-2	
Patrol	2.8L V6 DSL	38-9102		Terrano II	2.4L L4 F/I	33-2031-2	
Patrol	4.2L L6 F/I	33-2031-2		Terrano II	2.7L L4 DSL	38-9150	
Patrol I	2.8L V6 DSL	38-9102		Tsubame	1.6L L4 F/I - GA16DE Eng.		HP-2008
Pickup	2.4L L4 F/I	E-9233	HP-2008	Tsubame	1.6L L4 F/I - GA16DE Eng.		HP-2008
Pickup	3.0L V6 F/I	33-2031-2	HP-2008	Tsuru	1.6L L4 F/I - GA16DE Eng.		HP-2008
Primera	2.0L L4 DSL	33-2031-2		Vanette	2.4L L4 F/I	E-2210	
Primera	2.0L L4 F/I	33-2031-2 ♦		<b>1994 NISSAN</b>			
Quest	3.0L V6 F/I	33-2091-1	HP-2008	100NX	1.6L L4 F/I		HP-2008
Sentra	1.6L L4 F/I	33-2031-2	HP-2008	100NX	2.0L L4 F/I		HP-1003
Serena	1.6L L4 F/I	33-2031-2		200SX	1.8L L4 F/I	33-2031-2 ♦	
Serena	2.0L L4 DSL	33-2031-2		200SX	2.0L L4 F/I	33-2031-2	
Serena	2.0L L4 F/I	33-2031-2		240SX	2.4L L4 F/I	33-2031-2 ♦	HP-2008
Serena	2.3L L4 DSL	33-2031-2		300ZX	3.0L V6 F/I	33-2036*	HP-2008
Terrano I	2.7L L4 DSL	E-9136		Altima	2.4L L4 F/I	33-2031-2	HP-2008
Terrano II	2.4L L4 F/I	33-2031-2		Axxess	2.4L L4 F/I		HP-2008
Terrano II	2.7L L4 DSL - From 6/96	E-9251 ♦		D21 Pickup	2.4L L4 F/I		HP-2008
Terrano II	2.7L L4 DSL - to 5/96	38-9150 ♦		D21 Pickup	2.4L L4 F/I - Non-US, 101BHP	E-2813	HP-2008
Tsubame	1.6L L4 F/I - GA16DE Eng.		HP-2008	D21 Pickup	2.4L L4 F/I - Non-US, 124BHP	E-9233	HP-2008
Tsuru	1.6L L4 F/I - GA16DE Eng.		HP-2008	D21 Pickup	2.4L L4 F/I - US	E-9233	HP-2008
<b>1995 NISSAN</b>				D21 Pickup	2.5L L4 DSL	E-2760	
200SX	1.6L L4 F/I	33-2031-2	HP-2008	D21 Pickup	3.0L V6 F/I	33-2031-2	HP-2008
200SX	2.0L L4 F/I	33-2031-2	HP-1008	Estacas	2.4L L4 F/I		HP-1002
240SX	2.4L L4 F/I	33-2031-2 ♦	HP-2008	Ichi	2.4L L4 F/I		HP-2008
300ZX	3.0L V6 F/I	33-2036*	HP-2008	Maxima	3.0L V6 F/I	33-2031-2	HP-2008
Almera I	1.4L L4 F/I	33-2036 ♦		Micra	1.0L L4 F/I	33-2060 ♦	
Almera I	1.6L L4 F/I	33-2036 ♦		Micra	1.3L L4 F/I	33-2060 ♦	
Almera I	2.0L L4 DSL	33-2031-2		NX	1.6L L4 F/I	33-2036	
Altima	2.4L L4 F/I	33-2031-2	HP-2008	Pathfinder	3.0L V6 F/I	33-2031-2	HP-2008
D21 Pickup	2.4L L4 F/I - 101BHP	E-2813		Patrol	2.8L V6 DSL	38-9102	
D21 Pickup	2.4L L4 F/I - 124BHP	E-9233		Patrol	4.2L L6 F/I	33-2031-2	
D21 Pickup	2.5L L4 DSL	E-2760		Patrol I	2.8L V6 DSL	38-9102	
Estacas	2.4L L4 F/I		HP-1002	Prairie	2.4L L4 F/I	33-2031-2	
Maxima	2.0L V6 F/I	33-2031-2		Primera	2.0L L4 DSL	33-2031-2	
Maxima	3.0L V6 F/I	33-2031-2	HP-1010	Primera	2.0L L4 F/I	33-2031-2 ♦	
Micra	1.0L L4 F/I	33-2060 ♦		Quest	3.0L V6 F/I	33-2091-1	HP-2008
Micra	1.3L L4 F/I	33-2060 ♦		Sentra	1.6L L4 F/I	33-2031-2	HP-2008
NX	1.6L L4 F/I	33-2036		Sentra	2.0L L4 F/I	33-2031-2 ♦	HP-1003
Pathfinder	3.0L V6 F/I	33-2031-2	HP-2008	Serena	1.6L L4 F/I	33-2031-2	
Patrol	2.8L V6 DSL	38-9102		Serena	2.0L L4 DSL	33-2031-2	
Patrol	4.2L L6 F/I	33-2031-2		Serena	2.0L L4 F/I	33-2031-2	
Patrol I	2.8L V6 DSL	38-9102					

\*Indicates 2 filters required

♦ - Intake kit available

Applications updated daily at [knfilters.com](http://knfilters.com) ®



# AIR & OIL FILTERS

# NISSAN

Vehicle	Engine Type	Air Filter	Oil Filter	Vehicle	Engine Type	Air Filter	Oil Filter
<b>1994 NISSAN</b>				<b>1993 NISSAN</b>			
Sunny III	1.4L L4 F/I - GA14DE Eng.	33-2036		Terrano I	2.4L L4 F/I	E-2920	
Sunny III	1.4L L4 F/I - GA14DS Eng.	E-9192		Terrano I	2.7L L4 DSL	E-9136	
Sunny III	1.6L L4 F/I - 102BHP	33-2036		Terrano I	3.0L L4 F/I	33-2031-2	
Sunny III	1.6L L4 F/I - 90BHP	E-9192		Terrano II	2.4L L4 F/I	33-2031-2	
Sunny III	2.0L L4 DSL	33-2031-2		Terrano II	2.7L L4 DSL	38-9150	
Sunny III	2.0L L4 F/I	33-2031-2 ♦		Tsubame	1.6L L4 F/I - GA16DE Eng.		HP-2008
Terrano I	2.7L L4 DSL	E-9136		Tsura	1.6L L4 F/I - GA16DE Eng.		HP-2008
Terrano I	3.0L L4 F/I	33-2031-2		Vanette	2.4L L4 F/I	E-2210	
Terrano II	2.4L L4 F/I	33-2031-2		<b>1992 NISSAN</b>			
Terrano II	2.7L L4 DSL	38-9150		100NX	1.6L L4 F/I		HP-2008
Tsubame	1.6L L4 F/I - GA16DE Eng.		HP-2008	100NX	2.0L L4 F/I		HP-1003
Tsura	1.6L L4 F/I - GA16DE Eng.		HP-2008	200SX	1.8L L4 F/I	33-2031-2 ♦	
Vanette	2.4L L4 F/I	E-2210		240SX	2.4L L4 F/I	33-2031-2 ♦	HP-2008
<b>1993 NISSAN</b>				300ZX	3.0L V6 F/I	33-2036* ♦	HP-2008
100NX	1.6L L4 F/I		HP-2008	Axxess	2.4L L4 F/I		HP-2008
100NX	2.0L L4 F/I		HP-1003	D21 Pickup	2.4L L4 F/I		HP-2008
200SX	1.8L L4 F/I	33-2031-2 ♦		D21 Pickup	2.4L L4 F/I - Non-US, 101BHP	E-2813	HP-2008
200SX	2.0L L4 F/I	33-2031-2		D21 Pickup	2.4L L4 F/I - Non-US, 124BHP	E-9233	HP-2008
240SX	2.4L L4 F/I	33-2031-2 ♦	HP-2008	D21 Pickup	2.4L L4 F/I - US	E-9233	HP-2008
300ZX	3.0L V6 F/I	33-2036* ♦	HP-2008	D21 Pickup	2.5L L4 DSL	E-2760	
Altima	2.4L L4 F/I	33-2031-2	HP-2008	D21 Pickup	3.0L V6 F/I	33-2031-2	HP-2008
Axxess	2.4L L4 F/I		HP-2008	Hikari	1.6L L4 F/I - Turbo		HP-2008
D21 Pickup	2.4L L4 F/I		HP-2008	Ichi	2.4L L4 F/I		HP-2008
D21 Pickup	2.4L L4 F/I - Non-US, 101BHP	E-2813	HP-2008	Maxima	3.0L V6 F/I	33-2031-2	HP-2008
D21 Pickup	2.4L L4 F/I - Non-US, 124BHP	E-9233	HP-2008	Micra	1.0L L4 F/I	33-2060	
D21 Pickup	2.4L L4 F/I - US	E-9233	HP-2008	Micra	1.2L L4 CARB	E-9225	HP-2008
D21 Pickup	2.5L L4 DSL	E-2760		Micra	1.3L L4 F/I	33-2060 ♦	
D21 Pickup	3.0L V6 F/I	33-2031-2	HP-2008	NX	1.6L L4 F/I	33-2031-2	HP-2008
Ichi	2.4L L4 F/I		HP-2008	NX	2.0L L4 F/I	33-2031-2	HP-1003
Maxima	3.0L V6 F/I	33-2031-2	HP-2008	Patrol	2.8L V6 DSL	38-9102	
Micra	1.0L L4 F/I	33-2060 ♦		Patrol	3.0L L6 F/I	E-2830	
Micra	1.3L L4 F/I	33-2060 ♦		Patrol	4.2L L6 F/I	33-2031-2	
NX	1.6L L4 F/I	33-2031-2	HP-2008	Patrol I	2.8L V6 DSL	38-9102	
NX	2.0L L4 F/I	33-2031-2	HP-1003	Prairie	2.0L L4 F/I	33-2031-2	
Pathfinder	3.0L V6 F/I	33-2031-2	HP-2008	Primera	1.6L L4 CARB	E-9192	
Patrol	2.8L V6 DSL	38-9102		Primera	2.0L L4 DSL	33-2031-2	
Patrol	3.0L L6 F/I	E-2830		Primera	2.0L L4 F/I	33-2031-2 ♦	
Patrol	4.2L L6 F/I	33-2031-2		Sentra	1.6L L4 F/I	33-2031-2	HP-2008
Patrol I	2.8L V6 DSL	38-9102		Sentra	2.0L L4 F/I	33-2031-2 ♦	HP-1003
Prairie	2.4L L4 F/I	33-2031-2		Serena	2.0L L4 DSL	33-2031-2	
Primera	1.6L L4 CARB	E-9192		Serena	2.0L L4 F/I	33-2031-2	
Primera	2.0L L4 DSL	33-2031-2		Stanza	2.4L L4 F/I	33-2031-2	HP-2008
Primera	2.0L L4 F/I	33-2031-2 ♦		Sunny III	1.4L L4 F/I - GA14DE Eng.	33-2036	
Quest	3.0L V6 F/I	33-2091-1	HP-2008	Sunny III	1.4L L4 F/I - GA14DS Eng.	E-9192	
Sentra	1.6L L4 F/I	33-2031-2	HP-2008	Sunny III	1.6L L4 F/I - 102BHP	33-2036	
Sentra	2.0L L4 F/I	33-2031-2 ♦	HP-1003	Sunny III	1.6L L4 F/I - 90BHP	E-9192	
Serena	1.6L L4 F/I	33-2031-2		Sunny III	2.0L L4 DSL	33-2031-2	
Serena	2.0L L4 DSL	33-2031-2		Sunny III	2.0L L4 F/I	33-2031-2 ♦	
Serena	2.0L L4 F/I	33-2031-2		Terrano I	2.4L L4 F/I	E-2920	
Silvia	2.0L L4 F/I	33-2031-2	HP-1003	Terrano I	2.7L L4 DSL	E-9136	
Skyline	2.0L L6 F/I	33-2031-2		Terrano I	3.0L L4 F/I	33-2031-2	
Skyline	2.5L V6 - 24v, Turbo	33-2031-2		Tsura	1.6L L4 F/I - GA16DE Eng.		HP-2008
Sunny III	1.4L L4 F/I - GA14DE Eng.	33-2036		Vanette	2.4L L4 F/I	E-2210	
Sunny III	1.4L L4 F/I - GA14DS Eng.	E-9192		<b>1991 NISSAN</b>			
Sunny III	1.6L L4 F/I - 102BHP	33-2036		100NX	1.6L L4 F/I		HP-2008
Sunny III	1.6L L4 F/I - 90BHP	E-9192		100NX	2.0L L4 F/I		HP-1003
Sunny III	2.0L L4 DSL	33-2031-2		200SX	1.8L L4 F/I	33-2031-2 ♦	
Sunny III	2.0L L4 F/I	33-2031-2 ♦		240SX	2.4L L4 F/I	33-2031-2 ♦	HP-2008

\*Indicates 2 filters required      ♦ - Intake kit available      Applications updated daily at [knfilters.com](http://knfilters.com) ®

**Partial Listing - Complete List of Vehicles and Applications at [knfilters.com](http://knfilters.com)**

# NISSAN

# AIR & OIL FILTERS

Vehicle	Engine Type	Air Filter	Oil Filter	Vehicle	Engine Type	Air Filter	Oil Filter
<b>1991 NISSAN</b>				<b>1990 NISSAN</b>			
300ZX	3.0L V6 F/I	33-2036* ♦	HP-2008	D21 Pickup	2.4L L4 F/I - Non-US	E-2813	HP-2008
Axxess	2.4L L4 F/I	33-2031-2	HP-2008	D21 Pickup	2.4L L4 F/I - US	E-9233	HP-2008
Bluebird	1.6L L4 F/I	E-2983		D21 Pickup	2.5L L4 DSL	E-2760	
D21 Pickup	2.4L L4 F/I		HP-2008	D21 Pickup	3.0L V6 F/I		HP-2008
			HP-3001	D21 Pickup	3.0L V6 F/I - w/Panel Filter	33-2031-2	HP-2008
D21 Pickup	2.4L L4 F/I - Non-US	E-2813	HP-2008	D21 Pickup	3.0L V6 F/I - w/Round Filter	E-2830	HP-2008
D21 Pickup	2.4L L4 F/I - US	E-9233	HP-2008	Ichi	1.8L L4 F/I		HP-2005
D21 Pickup	2.5L L4 DSL	E-2760		Maxima	3.0L V6 F/I	33-2031-2	HP-2008
D21 Pickup	3.0L V6 F/I	33-2031-2	HP-2008	Micra	1.0L L4 F/I	E-9225	
Hikari	1.6L L4 F/I - Turbo		HP-2008	Micra	1.2L L4 CARB	E-9225	HP-2008
Ichi	1.8L L4 F/I		HP-2005	Patrol	2.8L V6 DSL	38-9102	
Maxima	3.0L V6 F/I	33-2031-2	HP-2008	Patrol	2.8L V6 F/I	E-2760	
Micra	1.0L L4 F/I	E-9225		Patrol	3.0L L6 F/I	E-2830	
Micra	1.2L L4 CARB	E-9225	HP-2008	Patrol	3.2L L6 DSL	E-3720	
NX	1.6L L4 F/I	33-2031-2	HP-2008	Patrol	4.2L L6 F/I	33-2031-2	
NX	1.6L L4 F/I - 100BHP, 16v	E-9192	HP-2008	Patrol I	2.8L V6 DSL	38-9102	
NX	2.0L L4 F/I	33-2031-2	HP-1003	Prairie	2.0L L4 F/I	33-2031-2	
Patrol	2.8L V6 DSL	38-9102		Primera	2.0L L4 F/I	33-2031-2 ♦	
Patrol	3.0L L6 F/I	E-2830		Pulsar NX	1.6L L4 F/I	33-2031-2	HP-2008
Patrol	4.2L L6 F/I	33-2031-2		Sentra	1.6L L4 F/I		HP-2008
Patrol I	2.8L V6 DSL	38-9102		Stanza	2.4L L4 F/I	33-2031-2	HP-2008
Prairie	2.0L L4 F/I	33-2031-2		Sunny I	1.3L L4 CARB	E-1050	
Primera	1.6L L4 CARB	E-9192		Sunny II	1.3L L4 CARB	E-1050	
Primera	2.0L L4 DSL	33-2031-2		Sunny II	1.4L L4 F/I	33-2036	
Primera	2.0L L4 F/I	33-2031-2 ♦		Sunny II	1.6L L4 CARB	E-1050	
Sentra	1.6L L4 F/I	33-2031-2	HP-2008	Sunny II	1.6L L4 SPI - 73BHP	E-1050	
Sentra	2.0L L4 F/I	33-2031-2 ♦	HP-1003	Sunny II	1.6L L4 SPI - 90BHP	E-9192	
Stanza	2.4L L4 F/I	33-2031-2	HP-2008	Sunny II	1.7L L4 DSL	33-2031-2	
Sunny II	1.3L L4 CARB	E-1050		Sunny II	1.8L L4 F/I	33-2031-2 ♦	
Sunny II	1.4L L4 F/I	33-2036		Sunny III	1.4L L4 F/I - GA14DE Eng.	33-2036	
Sunny II	1.6L L4 F/I	E-9192		Sunny III	1.4L L4 F/I - GA14DS Eng.	E-9192	
Sunny II	1.7L L4 DSL	33-2031-2		Sunny III	1.6L L4 F/I	E-9192	
Sunny II	1.8L L4 F/I	33-2031-2 ♦		Sunny III	2.0L L4 DSL	33-2031-2	
Sunny III	1.4L L4 F/I - GA14DE Eng.	33-2036		Sunny III	2.0L L4 F/I	33-2031-2 ♦	
Sunny III	1.4L L4 F/I - GA14DS Eng.	E-9192		Terrano I	2.4L L4 F/I	E-2920	
Sunny III	1.6L L4 F/I	E-9192		Terrano I	2.7L L4 DSL	E-9136	
Sunny III	2.0L L4 DSL	33-2031-2		Terrano I	3.0L L4 F/I	33-2031-2	
Sunny III	2.0L L4 F/I	33-2031-2 ♦		Tsura	1.6L L4 F/I - GA16DE Eng.		HP-2008
Terrano I	2.4L L4 F/I	E-2920		Tsura II	1.6L L4 F/I		HP-2008
Terrano I	2.7L L4 DSL	E-9136		Vanette	2.4L L4 F/I	E-2210	
Terrano I	3.0L L4 F/I	33-2031-2					
Tsura	1.6L L4 F/I - GA16DE Eng.		HP-2008	<b>1989 NISSAN</b>			
Tsura II	1.6L L4 F/I		HP-2008	200SX	1.8L L4 F/I	33-2031-2 ♦	
Vanette	2.4L L4 F/I	E-2210		240SX	2.4L L4 F/I	33-2031-2 ♦	HP-2008
<b>1990 NISSAN</b>				300ZX	3.0L V6 F/I	33-2031-2 ♦	HP-2008
100NX	1.6L L4 F/I		HP-2008	Bluebird	1.6L L4 F/I	E-2983	
200SX	1.8L L4 F/I	33-2031-2 ♦		Bluebird	1.8L L4 F/I - Exc., Turbo	E-2983	
240SX	2.4L L4 F/I	33-2031-2 ♦	HP-2008	Bluebird	1.8L L4 F/I - Turbo	33-2010	
300ZX	3.0L V6 F/I - Non-US, VG30 Eng.	33-2031-2		Bluebird	2.0L L4 DSL	33-2031-2	
300ZX	3.0L V6 F/I - US	33-2036* ♦	HP-2008	Bluebird	2.0L L4 F/I - CA20E Eng.	33-2010	
Axxess	2.4L L4 F/I	33-2031-2	HP-2008	Bluebird	2.0L L4 F/I - CA20S Eng.	E-2983	
Bluebird	1.6L L4 F/I	E-2983		D21 Pickup	2.4L L4 F/I	E-2813	HP-3001
Bluebird	1.8L L4 F/I - Exc., Turbo	E-2983		D21 Pickup	2.5L L4 DSL	E-2760	
Bluebird	1.8L L4 F/I - Turbo	33-2010		D21 Pickup	3.0L V6 F/I	E-2830	HP-2008
Bluebird	2.0L L4 DSL	33-2031-2		Laurel	2.8L L6 DSL	33-2031-2	
Bluebird	2.0L L4 F/I - CA20E Eng.	33-2010		Laurel	3.0L V6 F/I	33-2031-2	
Bluebird	2.0L L4 F/I - CA20S Eng.	E-2983		Maxima	3.0L V6 F/I	33-2031-2	HP-2008
D21 Pickup	2.4L L4 F/I		HP-2008	Micra	1.0L L4 F/I	E-9225	
			HP-3001	Micra	1.2L L4 CARB	E-9225	HP-2008
				Patrol	2.8L V6 DSL	38-9102	

\*Indicates 2 filters required

♦ - Intake kit available

Applications updated daily at [knfilters.com](http://knfilters.com) ®

# AIR & OIL FILTERS

# NISSAN

Vehicle	Engine Type	Air Filter	Oil Filter	Vehicle	Engine Type	Air Filter	Oil Filter
<b>1989 NISSAN</b>				<b>1988 NISSAN</b>			
Patrol	2.8L V6 F/I	E-2760		Tsura II	1.6L L4 F/I		HP-2008
Patrol	3.0L L6 F/I	E-2830		Van	2.4L L4 F/I	E-2210	HP-2008
Patrol	3.2L L6 DSL	E-3720		Vanette	2.4L L4 F/I	E-2210	
Patrol	4.2L L6 F/I	33-2031-2		<b>1987 NISSAN</b>			
Patrol I	2.8L V6 DSL	38-9102		200SX	1.8L L4 F/I	33-2010	
Pulsar NX	1.6L L4 F/I		HP-2008	200SX	2.0L L4 F/I	33-2010	HP-2008
Pulsar NX	1.8L L4 F/I	33-2031-2	HP-2008	200SX	3.0L V6 F/I	33-2010	HP-2008
Samurai	1.8L L4 2 BBL. - Turbo		HP-2008	300ZX	3.0L V6 F/I		HP-2008
Sentra	1.6L L4 F/I		HP-2008	300ZX	3.0L V6 F/I - exc. Turbo	33-2031-2 ♦	HP-2008
Stanza	2.0L L4 F/I		HP-2008	300ZX	3.0L V6 F/I - Turbo	33-2010 ♦	HP-2008
Stanza	2.0L L4 F/I - Sedan	33-2010	HP-2008	Bluebird	1.8L L4 F/I - Exc., Turbo	E-2983	
Sunny I	1.3L L4 CARB	E-1050		Bluebird	2.0L L4 DSL	33-2031-2	
Sunny II	1.3L L4 CARB	E-1050		Bluebird	2.0L L4 F/I - CA20S Eng.	E-2983	
Sunny II	1.4L L4 F/I	33-2036		D21 Pickup	2.4L L4 F/I	E-2813	HP-3001
Sunny II	1.6L L4 CARB	E-1050		D21 Pickup	2.5L L4 DSL	E-2760	
Sunny II	1.6L L4 F/I - 110BHP	33-2031-2		D21 Pickup	3.0L V6 F/I	E-2830	HP-2008
Sunny II	1.6L L4 F/I - 73BHP	E-1050		Maxima	3.0L V6 F/I	33-2010	HP-2008
Sunny II	1.6L L4 F/I - 90BHP	E-9192		Micra	1.2L L4 CARB	E-9225	HP-2008
Sunny II	1.7L L4 DSL	33-2031-2		Ninja	1.6L L4 F/I - GA Eng.		HP-2008
Sunny II	1.8L L4 F/I	33-2031-2 ♦		Patrol	3.3L L6 DSL	E-3720	
Tsura II	1.6L L4 F/I		HP-2008	Pulsar NX SE	1.6L L4 F/I	33-2031-2	HP-2008
<b>1988 NISSAN</b>				Pulsar NX XE	1.6L L4 F/I	E-2630	HP-2008
200SX	1.8L L4 F/I	33-2031-2 ♦		Sentra	1.6L L4 CARB	E-2630	HP-2008
200SX	2.0L L4 F/I	33-2010	HP-2008	Sentra	1.6L L4 F/I	E-2630	HP-2008
200SX	3.0L V6 F/I	33-2010	HP-2008	Silvia	2.0L L4 F/I	33-2031-2	
240SX	2.4L L4 F/I	33-2031-2	HP-2008	Stanza	2.0L L4 F/I	33-2010	HP-2008
300ZX	3.0L V6 F/I	33-2031-2 ♦	HP-2008	Sunny I	1.3L L4 CARB	E-1050	
Bluebird	1.8L L4 F/I - Exc., Turbo	E-2983		Sunny II	1.3L L4 CARB	E-1050	
Bluebird	1.8L L4 F/I - Turbo	33-2010		Sunny II	1.5L L4 CARB	E-1050	
Bluebird	2.0L L4 DSL	33-2031-2		Sunny II	1.6L L4 CARB	E-1050	
Bluebird	2.0L L4 F/I - CA20E Eng.	33-2010		Sunny II	1.6L L4 F/I - 110BHP	33-2031-2	
Bluebird	2.0L L4 F/I - CA20S Eng.	E-2983		Sunny II	1.6L L4 F/I - 73BHP	E-1050	
D21 Pickup	2.4L L4 F/I	E-2813	HP-3001	Sunny II	1.7L L4 DSL	33-2031-2	
D21 Pickup	2.5L L4 DSL	E-2760		Tsura	1.6L L4 2 BBL.		HP-2008
D21 Pickup	3.0L V6 F/I	E-2830	HP-2008	Tsura I	1.6L L4 2 BBL.		HP-2008
Laurel	2.8L L6 DSL	33-2031-2		Tsura II	1.6L L4 F/I		HP-2008
Maxima	3.0L V6 F/I		HP-2008	Van	2.4L L4 F/I	E-2210	HP-2008
Maxima	3.0L V6 F/I - 154BHP	33-2010	HP-2008	Vanette	2.4L L4 F/I	E-2210	
Maxima	3.0L V6 F/I - 170BHP	33-2031-2	HP-2008	<b>1986 NISSAN</b>			
Maxima	3.0L V6 F/I - US	33-2010	HP-2008	200SX	1.8L L4 F/I	33-2010	HP-2008
Maxima	1.0L L4 F/I	E-9225		200SX	2.0L L4 F/I	33-2010	HP-2008
Micra	1.2L L4 CARB	E-9225	HP-2008	300ZX	3.0L V6 F/I	33-2010 ♦	HP-2008
Patrol	2.8L V6 F/I	E-2760		720 Pickup	2.2L L4 CARB	E-2760	
Patrol	3.2L L6 DSL	E-3720		720 Pickup	2.4L L4 F/I	E-2813	HP-3001
Patrol	3.3L L6 DSL	E-3720		720 Pickup	2.5L L4 DSL	E-2760	HP-3001
Patrol	4.2L L6 F/I	33-2031-2		Bluebird	1.8L L4 CARB - Exc., Turbo	E-2983	
Patrol I	2.8L V6 DSL	38-9102		Bluebird	2.0L L4 DSL	33-2031-2	
Pulsar NX	1.6L L4 F/I	E-2630	HP-2008	Bluebird	2.0L L4 F/I - CA20S Eng.	E-2983	
Pulsar NX	1.8L L4 F/I	33-2031-2	HP-2008	Cherry	1.3L	E-1050	
Sentra	1.6L L4 CARB		HP-2008	Cherry	1.5L - GTi	33-2051	
Sentra	1.6L L4 F/I	E-2630	HP-2008	D21 Pickup	2.4L L4 F/I	E-2813	HP-3001
Silvia	2.0L L4 F/I	33-2031-2		D21 Pickup	3.0L V6 F/I	E-2830	HP-2008
Stanza	2.0L L4 F/I	33-2010	HP-2008	Laurel	2.4L L6 F/I	33-2031-2	
Sunny I	1.3L L4 CARB	E-1050		Maxima	3.0L V6 F/I	33-2010	HP-2008
Sunny II	1.3L L4 CARB	E-1050		Micra	1.0L L4 F/I	E-9225	
Sunny II	1.6L L4 CARB	E-1050		Micra	1.2L L4 CARB	E-9225	HP-2008
Sunny II	1.6L L4 F/I - 110BHP	33-2031-2		Patrol	2.8L V6 F/I	E-2760	
Sunny II	1.6L L4 F/I - 73BHP	E-1050		Patrol	3.2L L6 DSL	E-3720	
Sunny II	1.6L L4 F/I - 90BHP	E-9192		Patrol	3.3L L6 DSL	E-3720	
Sunny II	1.7L L4 DSL	33-2031-2		Pulsar NX	1.6L L4 CARB	E-2630	HP-2008
Terrano I	2.4L L4 F/I	E-2920					
Tsura I	1.6L L4 2 BBL.		HP-2008				

\*Indicates 2 filters required

♦ - Intake kit available

Applications updated daily at [knfilters.com](http://knfilters.com) ®

**Partial Listing - Complete List of Vehicles and Applications at [knfilters.com](http://knfilters.com)**

# NISSAN

# AIR & OIL FILTERS

Vehicle	Engine Type	Air Filter	Oil Filter
<b>1986 NISSAN</b>			
Samurai	1.8L L4 2 BBL. - Turbo		HP-2008
Sentra	1.6L L4 CARB	E-2630	HP-2008
Silvia	2.0L L4 F/I	33-2031-2	
Stanza	2.0L L4 F/I	33-2010	HP-2008
Sunny I	1.5L L4 CARB	E-1050	
Sunny I	1.7L L4 DSL	E-2210	
Sunny II	1.3L L4 CARB	E-1050	
Sunny II	1.5L L4 CARB	E-1050	

Vehicle	Engine Type	Air Filter	Oil Filter
<b>1985 NISSAN</b>			
200SX	1.8L L4 F/I	33-2010	HP-2008
200SX	2.0L L4 F/I	33-2010	HP-2008
300ZX	3.0L V6 F/I	33-2010 ♦	HP-2008
720 Pickup	2.0L L4 CARB	E-2760	HP-3001
720 Pickup	2.2L L4 CARB	E-2760	
720 Pickup	2.4L L4 CARB	E-2760	HP-3001
720 Pickup	2.5L L4 DSL	E-2760	HP-3001
Bluebird	1.8L L4 CARB - Exc., Turbo	E-2983	
Bluebird	2.0L L4 F/I	E-2983	
D21 Pickup	2.4L L4 F/I	E-2813	HP-3001
Laurel	2.4L L6 F/I	33-2031-2	
Maxima	3.0L V6 F/I	33-2010	HP-2008
Patrol	2.8L V6 F/I	E-2760	
Patrol	3.2L L6 DSL	E-3720	
Patrol	3.3L L6 DSL	E-3720	
Pulsar NX	1.6L L4 CARB	E-2630	HP-2008
Sentra	1.6L L4 CARB	E-2630	HP-2008
Sentra	1.7L L4 DSL	E-2210	
Stanza	1.8L L4 CARB	E-2983	
Stanza	2.0L L4 F/I	33-2010	HP-2008
Sunny I	1.3L L4 CARB	E-1050	
Sunny I	1.5L L4 CARB	E-1050	
Tsura	1.6L L4 2 BBL.		HP-2008
Tsura I	1.6L L4 2 BBL.		HP-2008

Vehicle	Engine Type	Air Filter	Oil Filter
<b>1984 NISSAN</b>			
200SX	1.8L L4 F/I	33-2010	HP-2008
200SX	2.0L L4 F/I	33-2010	HP-2008
280ZX	2.8L L6 F/I	E-2990	HP-2004
300ZX	3.0L V6 F/I	33-2010 ♦	HP-2008
720 Pickup	2.0L L4 CARB	E-2760	HP-3001
720 Pickup	2.2L L4 CARB	E-2760	
720 Pickup	2.4L L4 CARB	E-2760	HP-3001
720 Pickup	2.5L L4 DSL	E-2760	HP-3001
Maxima	2.4L L6 F/I	33-2031-2	HP-2004
Patrol	3.3L L6 DSL	E-3720	
Pulsar NX	1.5L L4 F/I	33-2010	HP-2008
Pulsar NX	1.6L L4 CARB	E-2630	HP-2008
Sentra	1.6L L4 CARB	E-2630	HP-2008
Sentra	1.7L L4 DSL	E-2210	
Stanza	2.0L L4 F/I	33-2010	HP-2008
Sunny I	1.5L L4 CARB	E-1050	
Tsura	1.6L L4 2 BBL.		HP-2008
Tsura I	1.6L L4 2 BBL.		HP-2008

Vehicle	Engine Type	Air Filter	Oil Filter
<b>1983 NISSAN</b>			
200SX	2.2L L4 F/I	33-2010	HP-2004
280ZX	2.8L L6 F/I	E-2990	HP-2004
720 Pickup	2.2L L4 CARB		HP-3001
720 Pickup	2.2L L4 DSL	E-2760	HP-2005
720 Pickup	2.4L L4 CARB	E-2760	HP-3001
720 Pickup	2.5L L4 DSL	E-2760	HP-3001
Bluebird	1.8L L4 CARB - CA18 Eng.	E-2983	
Maxima	2.4L L6 F/I	33-2031-2	HP-2004

Vehicle	Engine Type	Air Filter	Oil Filter
<b>1983 NISSAN</b>			
Patrol	3.3L L6 DSL	E-3720	
Pulsar	1.6L L4 CARB	E-2630	HP-2008
Pulsar NX	1.6L L4 CARB		HP-2008
Sentra	1.5L L4 CARB	E-2630	HP-2008
Sentra	1.6L L4 CARB	E-2630	HP-2008
Sentra	1.7L L4 DSL	E-2210	
Silvia	1.8L L4 F/I	E-1095	

Vehicle	Engine Type	Air Filter	Oil Filter
<b>1982 NISSAN</b>			
280ZX	2.8L L6 F/I	E-2990	HP-2004
720 Pickup	2.2L L4 CARB	E-2760	HP-3001
720 Pickup	2.2L L4 DSL	E-2210	HP-2005
Maxima	2.8L L6 DSL	33-2031-2	HP-3001
Sentra	1.5L L4 CARB	E-2630	HP-2008
Silvia	1.8L L4 F/I	E-1095	

Vehicle	Engine Type	Air Filter	Oil Filter
<b>1981 NISSAN</b>			
200SX	2.0L L4 F/I	33-2010	HP-2004
210	1.5L L4 CARB	E-2620	HP-2008
280ZX	2.8L L6 F/I	E-2990	HP-2004
720 Pickup	2.2L L4 CARB	E-2760	HP-3001
720 Pickup	2.2L L4 DSL	E-2210	HP-2005
Silvia	1.8L L4 F/I	E-1095	
Sunny	1.5L L4 CARB	E-1050	

Vehicle	Engine Type	Air Filter	Oil Filter
<b>1980 NISSAN</b>			
200SX	2.0L L4 F/I	33-2010	HP-2004
210	1.5L L4 CARB	E-2620	HP-2008
280ZX	2.8L L6 F/I	E-2880	HP-2004
310	1.4L L4 CARB	E-2920	HP-2008
510	2.0L L4 CARB	E-2760	HP-3001
720 Pickup	2.0L L4 CARB	E-2760	HP-3001
Silvia	1.8L L4 F/I	E-1095	

Vehicle	Engine Type	Air Filter	Oil Filter
<b>1979 NISSAN</b>			
200SX	2.0L L4 CARB	E-2830	HP-3001
210	1.2L L4 CARB		HP-2008
210	1.4L L4 CARB	E-2630	HP-2008
280ZX	2.8L L6 F/I	E-2880	HP-3001
510	2.0L L4 CARB		HP-3001
620	2.0L L4 CARB	E-2760	HP-3001
810	2.4L L6 F/I	33-2010	HP-3001

Vehicle	Engine Type	Air Filter	Oil Filter
<b>1978 NISSAN</b>			
280Z	2.8L L6 F/I	33-2010	HP-3001
280ZX	2.8L L6 F/I	E-2880	HP-3001
510	2.0L L4 CARB	E-2830	HP-3001
620	2.0L L4 CARB	E-2760	HP-3001
B210	1.4L L4 CARB	E-2620	HP-2008
F10	1.4L L4 CARB	E-2920	HP-2008

Vehicle	Engine Type	Air Filter	Oil Filter
<b>1977 NISSAN</b>			
200SX	2.0L L4 CARB	E-2830	HP-3001
280Z	2.8L L6 F/I	33-2010	HP-3001
710	2.0L L4 CARB	E-2760	HP-3001
810	2.4L L6 F/I	33-2010	HP-3001

Vehicle	Engine Type	Air Filter	Oil Filter
<b>1976 NISSAN</b>			
260Z	2.6L L6 CARB	E-2900	
280Z	2.8L L6 F/I	33-2010	HP-3001
610	2.0L L4 CARB	E-2830	HP-3001
620	2.0L L4 CARB	E-2760	HP-3001
710	2.0L L4 CARB	E-2830	HP-3001
B210	1.4L L4 CARB	E-2620	HP-2008

Vehicle	Engine Type	Air Filter	Oil Filter
<b>1975 NISSAN</b>			
240Z	2.4L L6 CARB	E-2910	
260Z	2.6L L6 CARB	E-2900	

\*Indicates 2 filters required      ♦ - Intake kit available      Applications updated daily at [knfilters.com](http://knfilters.com) ®

# AIR & OIL FILTERS

# NISSAN

Vehicle	Engine Type	Air Filter	Oil Filter
<b>1975 NISSAN</b>			
280Z	2.8L L6 F/I	33-2010	HP-3001
610	2.0L L4 CARB	E-2830	HP-3001
620	2.0L L4 CARB	E-2760	HP-3001
B210	1.4L L4 CARB	E-2620	HP-2008

<b>1974 NISSAN</b>			
210	1.3L L4 4 BBL.	E-2620	
240Z	2.4L L6 CARB	E-2910	
260Z	2.6L L6 CARB	E-2900	HP-3001
610	2.0L L4 CARB	E-2760	HP-3001
620 Pickup	1.8L L4 CARB	E-2760	HP-3001
B210	1.3L L4 CARB	E-2620	HP-2008

<b>1973 NISSAN</b>			
240Z	2.4L L6 CARB	E-2900	HP-3001
510	1.6L L4 CARB	E-2760	HP-3001
610	1.8L L4 CARB	E-2760	HP-3001
620 Pickup	1.6L L4 CARB	E-2760	HP-3001

<b>1972 NISSAN</b>			
240C	2.4L - L24 Eng.	E-2760	
240Z	2.4L L6 CARB	E-2910	HP-3001
510	1.6L L4 CARB	E-2760	HP-3001
521 Pickup	1.6L L4 CARB	E-2760	HP-3001

<b>1971 NISSAN</b>			
240Z	2.4L L6 CARB	E-2910	HP-3001
510	1.6L L4 CARB		HP-3001
521 Pickup	1.6L L4 CARB	E-2760	HP-3001

<b>1970 NISSAN</b>			
240Z	2.4L L6 CARB	E-2910	HP-3001
510	1.6L L4 CARB		HP-3001

<b>1969 NISSAN</b>			
510	1.6L L4 CARB		HP-3001

<b>1974 NORTON</b>			
Commando 750	750 - no elect. start	NO-0100	
Commando 850	850 - no elect. start	NO-0100	

<b>1973 NORTON</b>			
Commando 750	750 - no elect. start	NO-0100	

<b>1972 NORTON</b>			
Commando 750	750 - no elect. start	NO-0100	

<b>1971 NORTON</b>			
Commando 750	750 - no elect. start	NO-0100	

<b>1970 NORTON</b>			
Commando 750	750 - no elect. start	NO-0100	

<b>1969 NORTON</b>			
Commando 750	750 - no elect. start	NO-0100	

<b>1968 NORTON</b>			
Commando 750	750 - no elect. start	NO-0100	

<b>2004 OLDSMOBILE</b>			
Alero	2.2L L4 F/I	33-2121-1	HP-7000
Alero	3.4L V6 F/I	33-2121-1	HP-1001
Bravada	4.2L L6 F/I	E-1009 ♦	HP-2006
Silhouette Van	3.4L V6 F/I	33-2156	HP-1001

<b>2003 OLDSMOBILE</b>			
Alero	2.2L L4 F/I		HP-7000
Alero	3.4L V6 F/I	33-2121-1	HP-1001
Aurora	4.0L V8 F/I	33-2063-1	HP-2006
Bravada	4.2L L6 F/I	E-1009 ♦	HP-2006
Silhouette Van	3.4L V6 F/I	33-2156	HP-1001

Vehicle	Engine Type	Air Filter	Oil Filter
<b>2002 OLDSMOBILE</b>			
Alero	2.2L L4 F/I		HP-7000
Alero	3.4L V6 F/I	33-2121-1	HP-1001
Aurora	3.5L V6 F/I	33-2063-1	HP-7003
Aurora	4.0L V8 F/I	33-2063-1	HP-2006
Bravada	4.2L L6 F/I	E-1009 ♦	HP-2006
Intrigue	3.5L V6 F/I		HP-7003
Silhouette Van	3.4L V6 F/I	33-2156	HP-1001

<b>2001 OLDSMOBILE</b>			
Alero	2.4L L4 F/I	33-2121-1	HP-1007
Alero	3.4L V6 F/I	33-2121-1	HP-1001
Aurora	3.5L V6 F/I	33-2063-1	HP-7003
Aurora	4.0L V8 F/I	33-2063-1	HP-2006
Bravada	4.3L V6 F/I	33-2042	HP-2001
Intrigue	3.5L V6 F/I		HP-7003
Silhouette Van	3.4L V6 F/I	33-2156	HP-1001

<b>2000 OLDSMOBILE</b>			
Alero	2.4L L4 F/I	33-2121-1	HP-1007
Alero	3.4L V6 F/I	33-2121-1	HP-1001
Bravada	4.3L V6 F/I	33-2042	HP-2001
Intrigue	3.5L V6 F/I		HP-7003
Silhouette Van	3.4L V6 F/I	33-2156	HP-1001

<b>1999 OLDSMOBILE</b>			
88	3.8L V6 F/I	33-2086	HP-1001
Alero	2.4L L4 F/I	33-2121-1	HP-1007
Alero	3.4L V6 F/I	33-2121-1	HP-1001
Aurora	4.0L V8 F/I	33-2086	HP-2006
Bravada	4.3L V6 F/I	33-2042	HP-2001
Cutlass	3.1L V6 F/I	33-2121-1	HP-1001
Intrigue	3.5L V6 F/I		HP-7003
Intrigue	3.8L V6 F/I	33-2063-1	HP-1001
LSS	3.8L V6 F/I	33-2086	HP-1001
Silhouette Van	3.4L V6 F/I	33-2156	HP-1001

<b>1998 OLDSMOBILE</b>			
88	3.8L V6 F/I	33-2086	HP-1001
Achieva	2.4L L4 F/I	33-2068	HP-1007
Achieva	3.1L V6 F/I	33-2068	HP-1001
Aurora	4.0L V8 F/I	33-2086	HP-2006
Bravada	4.3L V6 F/I	33-2042	HP-2001
Cutlass	3.1L V6 F/I	33-2121-1	HP-1001
Intrigue	3.8L V6 F/I	33-2063-1	HP-1001
LSS	3.8L V6 F/I	33-2086	HP-1001
Regency	3.8L V6 F/I	33-2086	HP-1001
Silhouette Van	3.4L V6 F/I	33-2156	HP-1001

<b>1997 OLDSMOBILE</b>			
88	3.8L V6 F/I	33-2086	HP-1001
Achieva	2.4L L4 F/I	33-2068	HP-1007
Achieva	3.1L V6 F/I	33-2068	HP-1001
Aurora	4.0L V8 F/I	33-2086	HP-2006
Bravada	4.3L V6 F/I	33-2042	HP-2001
Cutlass	3.1L V6 F/I	33-2063-1	HP-1001
Cutlass Supreme	3.1L V6 F/I	33-2063-1	HP-1001
LSS	3.8L V6 F/I	33-2086	HP-1001
Regency	3.8L V6 F/I	33-2086	HP-1001
Silhouette Van	3.4L V6 F/I	33-2156	HP-1001

<b>1996 OLDSMOBILE</b>			
88	3.8L V6 F/I	33-2086	HP-1001
Achieva	2.4L L4 F/I	33-2068	HP-1007
Achieva	3.1L V6 F/I	33-2068	HP-1001
Aurora	4.0L V8 F/I	33-2086	HP-2006
Bravada	4.3L V6 F/I	33-2042	HP-2001
Cutlass Ciera	2.2L L4 F/I	E-0850	HP-1001

\*Indicates 2 filters required      ♦ - Intake kit available      Applications updated daily at [knfilters.com](http://knfilters.com) ®

Partial Listing - Complete List of Vehicles and Applications at [knfilters.com](http://knfilters.com)

# OLDSMOBILE

# AIR & OIL FILTERS

Vehicle	Engine Type	Air Filter	Oil Filter
<b>1996 OLDSMOBILE</b>			
Cutlass Ciera	3.1L V6 F/I	E-0890	HP-1001
Cutlass Supreme	3.1L V6 F/I	33-2063-1	HP-1001
Cutlass Supreme	3.4L V6 F/I	33-2063-1	HP-2001
LSS	3.8L V6 F/I	33-2086	HP-1001
Ninety-Eight	3.8L V6 F/I	33-2086	HP-1001
Silhouette Van	3.4L V6 F/I	33-2022	HP-1001
<b>1995 OLDSMOBILE</b>			
88	3.8L V6 F/I	33-2086	HP-1001
Achieva	2.3L L4 F/I	33-2068	HP-1001
Achieva	3.1L V6 F/I	33-2068	HP-1001
Aurora	4.0L V8 F/I	33-2086	HP-2006
Cutlass Ciera	2.2L L4 F/I	E-0850	HP-1001
Cutlass Ciera	3.1L V6 F/I	E-0890	HP-1001
Cutlass Supreme	3.1L V6 F/I	33-2063-1	HP-1001
Cutlass Supreme	3.4L V6 F/I	33-2063-1	HP-2001
Ninety-Eight	3.8L V6 F/I	33-2086	HP-1001
Silhouette Van	3.8L V6 F/I	33-2022	HP-1001
<b>1994 OLDSMOBILE</b>			
88	3.8L V6 F/I		HP-1001
Achieva	2.3L L4 F/I	33-2068	HP-1001
Achieva	3.1L V6 F/I	33-2068	HP-1001
Bravada	4.3L V6 F/I	33-2042	HP-2001
Cutlass Ciera	2.2L L4 F/I	E-0850	HP-1001
Cutlass Ciera	3.1L V6 F/I	E-0890	HP-1001
Cutlass Supreme	3.1L V6 F/I	33-2063-1	HP-1001
Cutlass Supreme	3.4L V6 F/I	33-2063-1	HP-2001
Ninety-Eight	3.8L V6 F/I		HP-1001
Silhouette Van	3.1L V6 F/I	E-1065	HP-2001
Silhouette Van	3.8L V6 F/I	33-2022	HP-1001
<b>1993 OLDSMOBILE</b>			
88	3.8L V6 F/I		HP-1001
Achieva	2.3L L4 F/I	33-2022	HP-1001
Achieva	3.3L V6 F/I	33-2022	HP-1001
Bravada	4.3L V6 F/I	33-2042	HP-2001
Cutlass Ciera	2.2L L4 F/I	E-0850	HP-1001
Cutlass Ciera	3.3L V6 F/I	33-2022	HP-1001
Cutlass Supreme	3.1L V6 F/I - VIN M	E-0890	HP-1001
Cutlass Supreme	3.1L V6 F/I - VIN T	33-2038	HP-2001
Cutlass Supreme	3.4L V6 F/I	33-2038	HP-2001
Ninety-Eight	3.8L V6 F/I		HP-1001
Silhouette Van	3.1L V6 F/I	E-1065	HP-2001
Silhouette Van	3.8L V6 F/I	33-2022	HP-1001
<b>1992 OLDSMOBILE</b>			
88	3.8L V6 F/I		HP-1001
Achieva	2.3L L4 F/I	33-2022	HP-1001
Achieva	3.3L V6 F/I	33-2022	HP-1001
Bravada	4.3L V6 CPI	33-2042	HP-2001
Bravada	4.3L V6 TBI	E-1065	HP-2001
Custom Cruiser	5.0L V8 F/I	33-2051	HP-2002
Custom Cruiser	5.7L V8 F/I	33-2051	HP-2002
Cutlass Ciera	2.5L L4 F/I	E-1015	
Cutlass Ciera	3.3L V6 F/I	33-2022	HP-1001
Cutlass Supreme	3.1L V6 F/I	33-2038	HP-2001
Cutlass Supreme	3.4L V6 F/I	33-2038	HP-2001
Ninety-Eight	3.8L V6 F/I		HP-1001
Toronado	3.8L V6 F/I	33-2022	HP-1001
<b>1991 OLDSMOBILE</b>			
Bravada	4.3L V6 F/I	E-1065	HP-2001
Custom Cruiser	5.0L V8 F/I	33-2051	HP-2002
Cutlass Calais	2.3L L4 F/I	33-2022	HP-1001
Cutlass Calais	2.5L L4 F/I	E-1015	

Vehicle	Engine Type	Air Filter	Oil Filter
<b>1991 OLDSMOBILE</b>			
Cutlass Calais	3.3L V6 F/I	33-2022	HP-1001
Cutlass Calais	2.5L L4 F/I	E-1015	
Cutlass Ciera	3.3L V6 F/I	33-2022	HP-1001
Cutlass Supreme	2.3L L4 F/I	33-2022	HP-1001
Cutlass Supreme	3.1L V6 F/I	33-2038	HP-2001
Cutlass Supreme	3.4L V6 F/I	33-2038	HP-2001
Delta 88	3.8L V6 F/I	33-2022	HP-1001
Ninety-Eight	3.8L V6 F/I		HP-1001
Silhouette Van	3.1L V6 F/I	E-1065	HP-2001
Toronado	3.8L V6 F/I	33-2022	HP-1001
<b>1990 OLDSMOBILE</b>			
Custom Cruiser	5.0L V8 CARB	E-1500	HP-2006
Cutlass Calais	2.3L L4 F/I	33-2022	HP-1001
Cutlass Calais	2.5L L4 F/I	E-1015	
Cutlass Calais	3.3L V6 F/I	33-2022	HP-1001
Cutlass Ciera	2.5L L4 F/I	E-1015	
Cutlass Ciera	3.3L V6 F/I	33-2022	HP-1001
Cutlass Ciera	3.1L V6 F/I	33-2038	HP-2001
Delta 88	3.8L V6 F/I	33-2022	HP-1001
Ninety-Eight	3.8L V6 F/I	33-2022	HP-1001
Silhouette Van	3.1L V6 F/I	E-1065	HP-2001
Toronado	3.8L V6 F/I	33-2022	HP-1001
<b>1989 OLDSMOBILE</b>			
Custom Cruiser	5.0L V8 CARB	E-1500	HP-2006
Cutlass Calais	2.3L L4 F/I		HP-1001
Cutlass Calais	2.3L L4 F/I - High Output	33-2022	HP-1001
Cutlass Calais	2.3L L4 F/I - w/o High Output	E-2310	HP-1001
Cutlass Calais	2.5L L4 F/I	E-1015	
Cutlass Calais	3.3L V6 F/I	33-2022	HP-1001
Cutlass Ciera	2.5L L4 F/I	E-1015	
Cutlass Ciera	2.8L V6 F/I	E-0850	HP-2001
Cutlass Ciera	3.3L V6 F/I	33-2022	HP-1001
Cutlass Supreme	2.8L V6 F/I	33-2038	HP-2001
Cutlass Supreme	3.1L V6 F/I	33-2038	HP-2001
Delta 88	3.8L V6 F/I	33-2022	HP-1001
Ninety-Eight	3.8L V6 F/I	33-2022	HP-1001
Toronado	3.8L V6 F/I	33-2022	HP-1001
<b>1988 OLDSMOBILE</b>			
Custom Cruiser	5.0L V8 CARB	E-1500	HP-2006
Cutlass Calais	2.3L L4 F/I	E-2310	HP-1001
Cutlass Calais	3.0L V6 F/I		HP-1001
Cutlass Ciera	2.5L L4 F/I	E-1015	
Cutlass Ciera	2.8L V6 F/I	E-0850	HP-2001
Cutlass Ciera	3.8L V6 F/I	E-0870	HP-1001
Cutlass Supreme	2.8L V6 F/I		HP-2001
Cutlass Supreme	5.0L V8 CARB	E-1500	HP-2006
Delta 88	3.8L V6 F/I	33-2022	HP-1001
Firenza	2.0L L4 F/I - OHV	E-1015	HP-2001
Firenza	2.0L L4 F/I - SOHC	E-1015	HP-1001
Ninety-Eight	3.8L V6 F/I	33-2022	HP-1001
Toronado	3.8L V6 F/I	33-2022	HP-1001
<b>1987 OLDSMOBILE</b>			
Calais	2.3L L4 F/I	E-2310	HP-1001
Calais	2.5L L4 F/I	E-1015	HP-1001
Calais	3.0L V6 F/I		HP-1001
Custom Cruiser	5.0L V8 CARB	E-1500	HP-2006
Cutlass	5.0L V8 CARB	E-1500	HP-2006
Cutlass Ciera	2.5L L4 F/I	E-1015	HP-1001
Cutlass Ciera	2.8L V6 F/I	E-0850	HP-2001
Cutlass Ciera	3.8L V6 F/I	E-0870	HP-1001
Cutlass Supreme	3.8L V6 CARB	E-1150	HP-1001

\*Indicates 2 filters required

◆ - Intake kit available

Applications updated daily at [knfilters.com](http://knfilters.com) ®

# AIR & OIL FILTERS

# OLDSMOBILE

Vehicle	Engine Type	Air Filter	Oil Filter
---------	-------------	------------	------------

## 1987 OLDSMOBILE

Delta 88	3.8L V6 F/I	33-2022	HP-1001
Ninety-Eight	3.8L V6 F/I	33-2022	HP-1001
Toronado	3.8L V6 F/I	33-2022	HP-1001

## 1986 OLDSMOBILE

Custom Cruiser	5.0L V8 CARB	E-1500	HP-2006
Cutlass Ciera	2.5L L4 F/I	E-1015	HP-1001
Cutlass Ciera	2.8L V6 CARB	E-1950	HP-1001
Cutlass Ciera	2.8L V6 F/I	E-0850	HP-1001
Cutlass Supreme	3.8L V6 CARB	E-1150	HP-1001
Cutlass Supreme	5.0L V8 CARB	E-1500	HP-2006
Delta 88	3.8L V6 F/I	33-2022	HP-1001

## 1985 OLDSMOBILE

Cutlass Ciera	2.5L L4 F/I	E-1015	HP-1001
Cutlass Ciera	3.0L V6 CARB	E-1450	HP-1001
Cutlass Ciera	3.8L V6 F/I	E-0870	HP-1001
Cutlass Ciera	4.3L V6 DSL	E-1577	HP-2001
Cutlass Supreme	3.8L V6 CARB	E-1150	HP-1001
Cutlass Supreme	5.0L V8 CARB	E-1500	HP-2006
Cutlass Supreme	5.7L V8 DSL	E-1690	HP-2006
Delta 88	3.8L V6 CARB	E-1150	HP-1001
Delta 88	5.0L V8 CARB	E-1500	HP-2006
Delta 88	5.7L V8 DSL	E-1690	HP-2006
Ninety-Eight	3.8L V6 F/I	E-0870	HP-1001
Ninety-Eight	4.3L V6 DSL	E-1577	HP-2001
Toronado	5.0L V8 CARB	E-1450	HP-2006
Toronado	5.7L V8 DSL	E-1650	HP-2006

## 1984 OLDSMOBILE

Custom Cruiser	5.0L V8 CARB		HP-2006
Cutlass Calais	4.3L V6 DSL	E-1690	HP-2001
Cutlass Calais	5.0L V8 CARB	E-1500	
Cutlass Calais	5.0L V8 CARB - VIN 9, VIN Y	E-1500	HP-2006
Cutlass Calais	5.0L V8 CARB - VIN H	E-1500	HP-1011
Cutlass Calais	5.7L V8 DSL	E-1690	
Cutlass Ciera	4.3L V6 DSL	E-1577	HP-2001
Cutlass Supreme	3.8L V6 CARB	E-1150	HP-1001
Cutlass Supreme	4.3L V6 DSL	E-1690	HP-2001
Cutlass Supreme	5.0L V8 CARB	E-1500	HP-2006
Cutlass Supreme	5.7L V8 DSL	E-1690	HP-2006
Delta 88	5.0L V8 CARB	E-1500	HP-2006
Delta 88	5.7L V8 DSL	E-1690	HP-2006
Ninety-Eight	5.0L V8 CARB	E-1500	HP-2006
Ninety-Eight	5.7L V8 DSL	E-1690	HP-2006
Toronado	4.1L V6 CARB	E-1450	HP-1001
Toronado	5.0L V8 CARB	E-1450	HP-2006
Toronado	5.7L V8 DSL	E-1650	HP-2006

## 1983 OLDSMOBILE

Cutlass Calais	5.0L V8 CARB	E-1500	HP-2006
Cutlass Supreme	3.8L V6 CARB	E-1150	HP-1001
Cutlass Supreme	5.0L V8 CARB	E-1500	HP-2006
Cutlass Supreme	5.7L V8 DSL	E-1690	HP-2006
Delta 88	5.0L V8 CARB	E-1500	HP-2006
Ninety-Eight	5.0L V8 CARB	E-1500	HP-2006
Ninety-Eight	5.7L V8 DSL	E-1690	HP-2006
Toronado	5.7L V8 DSL	E-1650	HP-2006

## 1982 OLDSMOBILE

Cutlass Supreme	3.8L V6 CARB	E-1150	HP-1001
Cutlass Supreme	4.3L V6 DSL	E-1690	HP-2001
Cutlass Supreme	4.3L V8 CARB	E-1500	
Cutlass Supreme	5.0L V8 CARB	E-1500	HP-2006
Cutlass Supreme	5.7L V8 DSL	E-1690	HP-2006

Vehicle	Engine Type	Air Filter	Oil Filter
---------	-------------	------------	------------

## 1982 OLDSMOBILE

Delta 88	5.0L V8 CARB	E-1500	HP-2006
----------	--------------	--------	---------

## 1981 OLDSMOBILE

Cutlass	3.8L V6 CARB	E-1150	HP-1001
Cutlass	4.3L V8 CARB	E-1500	HP-2006
Cutlass	5.7L V8 DSL	E-1690	HP-2006
Cutlass Calais	3.8L V6 CARB		HP-1001
Cutlass Cruiser	3.8L V6 CARB	E-1150	HP-1001
Cutlass Cruiser	4.3L V8 CARB	E-1500	
Cutlass Salon	3.8L V6 CARB		HP-1001
Cutlass Supreme	3.8L V6 CARB		HP-1001
Cutlass Supreme	5.7L V8 DSL	E-1650	
Delta 88	5.0L V8 CARB	E-1500	HP-2006
Ninety-Eight	5.0L V8 CARB	E-1500	HP-2006
Toronado	5.7L V8 DSL	E-1650	HP-2006

## 1980 OLDSMOBILE

Cutlass	231 V6 CARB	E-1150	HP-1001
Cutlass	260 V8 CARB	E-1500	HP-2006
Cutlass	305 V8 CARB	E-1500	HP-2002
Cutlass	350 V8 CARB	E-1500	HP-2006
Cutlass	350 V8 DSL	E-1690	HP-2006
Cutlass Cruiser	231 V6 CARB	E-1150	HP-1001
Cutlass Cruiser	260 V8 CARB	E-1500	
Cutlass Cruiser	305 V8 CARB	E-1500	
Cutlass Cruiser	350 V8 DSL	E-1690	HP-2006
Cutlass Salon	231 V6 CARB	E-1150	HP-1001
Cutlass Salon	350 V8 DSL	E-1690	HP-2006
Cutlass Supreme	350 V8 DSL	E-1690	HP-2006
Delta 88	307 V8 CARB	E-1500	HP-2006
Delta 88	350 V8 CARB	E-1500	HP-2006
Delta 88	350 V8 DSL	E-1690	HP-2006

## 1979 OLDSMOBILE

Custom Cruiser	403 V8 CARB	E-1650	HP-2006
Cutlass Supreme	305 V8 CARB	E-1500	HP-2002
Cutlass Supreme	350 V8 CARB	E-1500	HP-2002
Delta 88	350 V8 CARB	E-1650	HP-2006
Delta 88	350 V8 DSL	E-1690	HP-2006
Delta 88	403 V8 CARB	E-1650	HP-2006
Ninety Eight	350 V8 CARB	E-1650	HP-2006
Ninety Eight	403 V8 CARB	E-1650	HP-2006
Toronado	350 V8 CARB	E-1650	HP-2006
Toronado	350 V8 DSL	E-1650	HP-2006

## 1978 OLDSMOBILE

Cutlass Supreme	305 V8 2 BBL.	E-1450	HP-2002
Cutlass Supreme	305 V8 4 BBL.	E-1500	HP-2002
Delta 88	350 V8 CARB	E-1650	HP-2006
Delta 88	350 V8 DSL	E-1690	HP-2003
Delta 88	403 V8 CARB	E-1650	HP-2006
Ninety Eight	403 V8 CARB	E-1650	HP-2006
Toronado	403 V8 CARB	E-1650	HP-2006

## 1977 OLDSMOBILE

Custom Cruiser	403 V8 CARB	E-1650	HP-2003
Cutlass	350 V8 CARB	E-1650	HP-2003
Cutlass	403 V8 CARB	E-1650	HP-2003
Cutlass Supreme	403 V8 CARB	E-1650	
Ninety Eight	403 V8 CARB	E-1650	HP-2003
Ninety Eight Luxury	350 V8 CARB	E-1500	HP-2003
Ninety Eight Regency	350 V8 CARB	E-1650	HP-2003
Toronado	403 V8 CARB	E-1650	HP-2003

## 1976 OLDSMOBILE

Cutlass	350 V8 CARB	E-1650	HP-2003
Cutlass	455 V8 CARB	E-1650	HP-2003

\*Indicates 2 filters required

◆ - Intake kit available

Applications updated daily at [knfilters.com](http://knfilters.com) ®

Partial Listing - Complete List of Vehicles and Applications at [knfilters.com](http://knfilters.com)

# OLDSMOBILE

# AIR & OIL FILTERS

Vehicle	Engine Type	Air Filter	Oil Filter
<b>1976 OLDSMOBILE</b>			
Delta 88	350 V8 CARB	E-1650	HP-2003
Delta 88	455 V8 CARB	E-1650	HP-2003
Ninety Eight	455 V8 CARB	E-1650	HP-2003
Toronado	455 V8 CARB	E-1650	HP-2003
<b>1975 OLDSMOBILE</b>			
Cutlass	350 V8 CARB	E-1650	HP-2003
Cutlass	455 V8 CARB	E-1650	HP-2003
Cutlass Salon	350 V8 CARB	E-1650	
Cutlass Salon	455 V8 CARB	E-1650	
Cutlass Supreme	350 V8 CARB	E-1650	
Cutlass Supreme	455 V8 CARB	E-1650	
Delta 88	350 V8 CARB	E-1650	HP-2003
Delta 88	400 V8 CARB	E-1650	HP-2003
Delta 88	455 V8 CARB	E-1650	HP-2003
Ninety Eight	455 V8 CARB	E-1650	
Toronado	455 V8 CARB	E-1650	HP-2003
<b>1974 OLDSMOBILE</b>			
98	455 V8 CARB	E-1650	
Cutlass	350 V8 CARB		HP-2003
Cutlass	350 V8 CARB - exc. W30	E-1650	HP-2003
Cutlass	455 V8 CARB		HP-2003
Cutlass	455 V8 CARB - exc. W31	E-1650	HP-2003
Omega	350 V8 CARB		HP-2003
Omega	350 V8 CARB - w/o ram air	E-1650	HP-2003
Toronado	455 V8 CARB	E-1650	HP-2003
Vista Cruiser	455 V8 CARB	E-1650	
<b>1973 OLDSMOBILE</b>			
Cutlass	350 V8 2 BBL.	E-1220	HP-2003
Cutlass	350 V8 4 BBL.		HP-2003
Cutlass	350 V8 4 BBL. - w/o hood scoop	E-1650	HP-2003
Cutlass	455 V8 CARB		HP-2003
Cutlass	455 V8 CARB - exc. W31	E-1650	HP-2003
Cutlass Supreme	350 V8 CARB - w/o hood scoop	E-1650	
Cutlass Supreme	455 V8 CARB - w/o hood scoop	E-1650	
Delta 88	350 V8 2 BBL.	E-1220	HP-2003
Delta 88	350 V8 4 BBL.		HP-2003
Delta 88	350 V8 4 BBL. - w/o hood scoop	E-1650	HP-2003
Delta 88	455 V8 CARB	E-1650	HP-2003
Omega	350 V8 4 BBL.	E-1650	HP-2003
Toronado	455 V8 CARB	E-1650	
Vista Cruiser	350 V8 4 BBL. - w/o hood scoop	E-1590	
		E-1650	
Vista Cruiser	455 V8 CARB - exc. W31	E-1650	
<b>1972 OLDSMOBILE</b>			
98	455 V8 CARB	E-1650	
Cutlass	350 V8 2 BBL.	E-1220	HP-2003
Cutlass	350 V8 4 BBL.		HP-2003
Cutlass	350 V8 4 BBL. - w/hood scoop	E-1590	HP-2003
Cutlass	350 V8 4 BBL. - w/o hood scoop	E-1650	HP-2003
Cutlass	455 V8 CARB		HP-2003
Cutlass	455 V8 CARB - w/hood scoop	E-1590	HP-2003
Cutlass	455 V8 CARB - w/o hood scoop	E-1650	HP-2003
Cutlass Supreme	350 V8 2 BBL.	E-1220	HP-2003

Vehicle	Engine Type	Air Filter	Oil Filter
<b>1972 OLDSMOBILE</b>			
Cutlass Supreme	350 V8 4 BBL.		HP-2003
Cutlass Supreme	350 V8 4 BBL. - w/hood scoop	E-1590	HP-2003
Cutlass Supreme	350 V8 4 BBL. - w/o hood scoop	E-1650	HP-2003
Cutlass Supreme	455 V8 CARB		HP-2003
Cutlass Supreme	455 V8 CARB - w/hood scoop	E-1590	HP-2003
Cutlass Supreme	455 V8 CARB - w/o hood scoop	E-1650	HP-2003
Delta 88	350 V8 4 BBL. - w/o hood scoop	E-1650	
Delta 88	455 V8 CARB - w/o hood scoop	E-1650	
F85	455 V8 CARB	E-1650	HP-2003
Toronado	455 V8 CARB	E-1650	
Vista Cruiser	350 V8 4 BBL.	E-1650	
<b>1971 OLDSMOBILE</b>			
98	455 V8 2 BBL.	E-1220	HP-2003
98	455 V8 4 BBL.		HP-2003
98	455 V8 4 BBL. - w/o ram air	E-1650	HP-2003
442	455 V8 2 BBL.	E-1220	HP-2003
442	455 V8 4 BBL.		HP-2003
442	455 V8 4 BBL. - ram air	E-1590	HP-2003
442	455 V8 4 BBL. - w/o ram air	E-1650	HP-2003
Cutlass	350 V8 2 BBL.	E-1220	HP-2003
Cutlass	350 V8 4 BBL.		HP-2003
Cutlass	350 V8 4 BBL. - w/o ram air	E-1650	HP-2003
Cutlass	350 V8 4 BBL. - w/ram air	E-1590	HP-2003
Cutlass	455 V8 2 BBL.	E-1220	HP-2003
Cutlass	455 V8 4 BBL.		HP-2003
Cutlass	455 V8 4 BBL. - w/o ram air	E-1650	HP-2003
Cutlass Supreme	350 V8 CARB	E-1220	
Cutlass Supreme	455 V8 2 BBL.	E-1220	HP-2003
Cutlass Supreme	455 V8 4 BBL.		HP-2003
Cutlass Supreme	455 V8 4 BBL. - ram air	E-1590	HP-2003
Cutlass Supreme	455 V8 4 BBL. - w/o ram air	E-1650	HP-2003
Delta 88	455 V8 2 BBL.	E-1220	HP-2003
Delta 88	455 V8 4 BBL.	E-1650	HP-2003
Toronado	455 V8 CARB	E-1650	HP-2003
<b>1970 OLDSMOBILE</b>			
442	350 V8 2 BBL.	E-1220	HP-2003
442	350 V8 4 BBL.		HP-2003
442	350 V8 4 BBL. - w/o hood scoop	E-1650	HP-2003
442	455 V8 2 BBL.	E-1220	HP-2003
442	455 V8 4 BBL.		HP-2003
442	455 V8 4 BBL. - w/hood scoop	E-1590	HP-2003
442	455 V8 4 BBL. - w/o hood scoop	E-1650	HP-2003
Cutlass	350 V8 2 BBL.	E-1220	HP-2003
Cutlass	350 V8 4 BBL.		HP-2003
Cutlass	350 V8 4 BBL. - w/o ram air	E-1650	HP-2003
Cutlass	350 V8 4 BBL. - w/ram air	E-1590	HP-2003
Cutlass	455 V8 2 BBL.	E-1220	HP-2003
Cutlass	455 V8 4 BBL.		HP-2003
Cutlass	455 V8 4 BBL. - w/o ram air	E-1650	HP-2003
Cutlass Supreme	350 V8 CARB - 2 BBL	E-1220	
Cutlass Supreme	350 V8 CARB - 4 BBL	E-1650	
Delta 88	350 V8 4 BBL. - w/o hood scoop	E-1650	

\*Indicates 2 filters required

◆ - Intake kit available

Applications updated daily at [knfilters.com](http://knfilters.com) ®



# AIR & OIL FILTERS

# OLDSMOBILE

Vehicle	Engine Type	Air Filter	Oil Filter
---------	-------------	------------	------------

## 1970 OLDSMOBILE

Toronado	455 V8 CARB	E-1650	HP-2003
----------	-------------	--------	---------

## 1969 OLDSMOBILE

98	455 V8 2 BBL.	E-1220	HP-2003
98	455 V8 4 BBL.	E-1650	HP-2003
442	350 V8 2 BBL.	E-1220	HP-2003
442	350 V8 4 BBL.	E-1650	HP-2003
442	400 V8 CARB	E-1650	
442	455 V8 2 BBL.	E-1220	HP-2003
442	455 V8 4 BBL.		HP-2003
442	455 V8 4 BBL. - ram air	E-1590	HP-2003
442	455 V8 4 BBL. - w/o ram air	E-1650	HP-2003
Cutlass	350 V8 2 BBL.	E-1220	HP-2003
Cutlass	350 V8 4 BBL.	E-1650	HP-2003
Cutlass Supreme	350 V8 CARB - 2 BBL	E-1220	
Cutlass Supreme	350 V8 CARB - 4 BBL	E-1650	
Delta 88	350 V8 4 BBL.	E-1650	HP-2003
Delta 88	455 V8 2 BBL.	E-1220	HP-2003
Delta 88	455 V8 4 BBL.	E-1650	HP-2003
F85	350 V8 2 BBL.	E-1220	HP-2003
F85	350 V8 4 BBL.	E-1650	HP-2003
Toronado	455 V8 CARB	E-1650	HP-2003

## 1968 OLDSMOBILE

98	455 V8 CARB		HP-2003
98	455 V8 CARB - 4 BBL	E-1650	HP-2003
442	350 V8 2 BBL.	E-1220	HP-2003
442	350 V8 4 BBL.	E-1650	HP-2003
442	400 V8 CARB	E-1650	
442	455 V8 2 BBL.	E-1220	HP-2003
442	455 V8 4 BBL.		HP-2003
442	455 V8 4 BBL. - ram air	E-1590	HP-2003
442	455 V8 4 BBL. - w/o ram air	E-1650	HP-2003
Cutlass	350 V8 2 BBL.	E-1220	HP-2003
Cutlass	350 V8 4 BBL.	E-1650	HP-2003
Cutlass	400 V8 CARB - 4 BBL	E-1650	
Cutlass Supreme	350 V8 CARB - 2 BBL	E-1220	
Cutlass Supreme	350 V8 CARB - 4 BBL	E-1650	
Delmont 88	455 V8 CARB - 4 BBL	E-1650	
Toronado	455 V8 CARB	E-1650	HP-2003

## 1967 OLDSMOBILE

98	425 V8 CARB - Manual Trans.	E-1650	
442	400 V8 CARB	E-1650	
Cutlass	330 V8 CARB - Manual Trans.	E-1650	
Cutlass	400 V8 CARB - Manual Trans.	E-1650	
Cutlass Supreme	330 V8 CARB - Auto Trans.	E-1220	
Cutlass Supreme	330 V8 CARB - Manual Trans.	E-1650	
F85	330 V8 CARB - Manual Trans.	E-1650	
Toronado	425 V8 CARB	E-1650	

## 1966 OLDSMOBILE

98	425 V8 CARB - 4 BBL	E-1650	
442	400 V8 CARB	E-1650	
Cutlass	400 V8 CARB	E-1650	
Delta 88	425 V8 CARB - 4 BBL	E-1650	
Dynamic	425 V8 CARB - 4 BBL	E-1650	
Starfire	425 V8 CARB	E-1650	
Toronado	425 V8 CARB	E-1650	

Vehicle	Engine Type	Air Filter	Oil Filter
---------	-------------	------------	------------

## 1962 OLDSMOBILE

Starfire	394 V8 CARB	E-1910	
----------	-------------	--------	--

## 2011 OPEL

Agila	1.0L L3 F/I	33-2949	
Agila	1.2L L4 F/I	33-2949	
Agila	1.3L L4 DSL	33-2952	
Antara	2.0L L4 DSL	33-2956	
Antara	2.4L L4 F/I	33-2956	
Astra J	1.3L L4 DSL	33-2966	
Astra J	1.4L L4 F/I	33-2964	
Astra J	1.6L L4 F/I - exc. Turbo	33-2964	
Astra J	1.6L L4 F/I - Turbo	33-2966	
Astra J	1.7L L4 DSL	33-2966	
Astra J	2.0L L4 DSL	33-2966	
Corsa D	1.0L L3 F/I	33-2935 ♦	
Corsa D	1.2L L4 F/I	33-2935 ♦	
Corsa D	1.3L L4 DSL	33-2935	
Corsa D	1.4L L4 F/I	33-2935 ♦	
Corsa D	1.6L L4 F/I	33-2935 ♦	
Corsa D	1.7L L4 DSL	33-2935	
Insignia	1.6L L4 F/I	33-2962	
Insignia	2.0L L4 DSL	33-2962	
Insignia	2.8L V6 F/I	33-2962	
Tour	1.3L L4 DSL	33-2935	
Tour	1.4L L4 F/I	33-2935	
Tour	1.6L L4 F/I	33-2935	
Tour	1.7L L4 DSL	33-2935	
Zafira II	1.6L L4 F/I - exc. Turbo	33-2787	
Zafira II	1.6L L4 F/I - Turbo	33-2213	
Zafira II	1.7L L4 DSL	33-2213	
Zafira II	1.8L L4 F/I	33-2787 ♦	
Zafira II	1.9L L4 DSL	33-2213	
Zafira II	2.0L L4 F/I	33-2787 ♦	
Zafira II	2.2L L4 F/I	33-2213 ♦	

## 2010 OPEL

Agila	1.0L L3 F/I	33-2949	
Agila	1.2L L4 F/I	33-2949	
Agila	1.3L L4 DSL	33-2952	
Antara	2.0L L4 DSL	33-2956	
Antara	2.4L L4 F/I	33-2956	
Antara	3.2L V6 F/I	33-2956	
Astra J	1.3L L4 DSL	33-2966	
Astra J	1.4L L4 F/I	33-2964	
Astra J	1.6L L4 F/I - exc. Turbo	33-2964	
Astra J	1.6L L4 F/I - Turbo	33-2966	
Astra J	1.7L L4 DSL	33-2966	
Astra J	2.0L L4 DSL	33-2966	
Combo	1.3L L4 DSL	33-2935	
Combo	1.4L L4 F/I	33-2935	
Combo	1.6L L4 F/I	33-2935	
Combo	1.7L L4 DSL	33-2935	
Corsa D	1.0L L3 F/I	33-2935 ♦	
Corsa D	1.2L L4 F/I	33-2935 ♦	
Corsa D	1.3L L4 DSL	33-2935	
Corsa D	1.4L L4 F/I	33-2935 ♦	
Corsa D	1.6L L4 F/I	33-2935 ♦	
Corsa D	1.7L L4 DSL	33-2935	
Insignia	1.6L L4 F/I	33-2962	
Insignia	1.8L L4 F/I	33-2962	
Insignia	2.0L L4 DSL	33-2962	
Insignia	2.0L L4 F/I	33-2962	
Insignia	2.8L V6 F/I	33-2962	
Tigra	1.3L L4 DSL	33-2212 ♦	
Tigra	1.4L L4 F/I	33-2212 ♦	

\*Indicates 2 filters required      ♦ - Intake kit available      Applications updated daily at [knfilters.com](http://knfilters.com) ®

**Partial Listing - Complete List of Vehicles and Applications at [knfilters.com](http://knfilters.com)**

# OPEL

# AIR & OIL FILTERS

Vehicle	Engine Type	Air Filter	Oil Filter	Vehicle	Engine Type	Air Filter	Oil Filter
<b>2010 OPEL</b>				<b>2009 OPEL</b>			
Tigra	1.8L L4 F/I	33-2212 ♦		Signum	3.2L V6 F/I	33-2848	
Tour	1.3L L4 DSL	33-2935		Tigra	1.3L L4 DSL	33-2212 ♦	
Tour	1.4L L4 F/I	33-2935		Tigra	1.4L L4 F/I	33-2212 ♦	
Tour	1.6L L4 F/I	33-2935		Tigra	1.8L L4 F/I	33-2212 ♦	
Tour	1.7L L4 DSL	33-2935		Tour	1.3L L4 DSL	33-2935	
Zafira II	1.6L L4 F/I - exc. Turbo	33-2787		Tour	1.4L L4 F/I	33-2935	
Zafira II	1.6L L4 F/I - Turbo	33-2213		Tour	1.6L L4 F/I	33-2935	
Zafira II	1.7L L4 DSL	33-2213		Tour	1.7L L4 DSL	33-2935	
Zafira II	1.8L L4 F/I	33-2787 ♦		Vectra C	1.8L L4 F/I	33-2848 ♦	
Zafira II	1.9L L4 DSL	33-2213		Vectra C	1.9L L4 DSL	33-2848 ♦	
Zafira II	2.0L L4 F/I	33-2787 ♦		Vectra C	2.0L L4 DSL	33-2848 ♦	
Zafira II	2.2L L4 F/I	33-2213 ♦		Vectra C	2.0L L4 F/I	33-2848 ♦	
<b>2009 OPEL</b>				<b>2008 OPEL</b>			
Agila	1.0L L3 F/I	33-2949		Agila	1.0L L3 F/I - From 4/08	33-2949	
Agila	1.2L L4 F/I	33-2949		Agila	1.0L L3 F/I - To 3/08	33-2242	
Agila	1.3L L4 DSL	33-2952		Agila	1.2L L4 F/I - From 4/08	33-2949	
Antara	2.0L L4 DSL	33-2956		Agila	1.2L L4 F/I - To 3/08	33-2242	
Antara	2.4L L4 F/I	33-2956		Agila	1.3L L4 DSL	33-2952	
Antara	3.2L V6 F/I	33-2956		Antara	2.0L L4 DSL	33-2956	
Astra H	1.3L L4 DSL	33-2787		Antara	2.4L L4 F/I	33-2956	
Astra H	1.4L L4 F/I	33-2787 ♦		Antara	3.2L V6 F/I	33-2956	
Astra H	1.6L L4 F/I - exc. Turbo	33-2787 ♦		Astra H	1.3L L4 DSL	33-2787	
Astra H	1.6L L4 F/I - Turbo	33-2213 ♦		Astra H	1.4L L4 F/I	33-2787 ♦	
Astra H	1.7L L4 DSL	33-2787 ♦		Astra H	1.6L L4 F/I - exc. Turbo	33-2787 ♦	
Astra H	1.8L L4 F/I	33-2787 ♦		Astra H	1.6L L4 F/I - Turbo	33-2213 ♦	
Astra H	1.9L L4 DSL	33-2213 ♦		Astra H	1.7L L4 DSL	33-2787 ♦	
Astra H	2.0L L4 F/I	33-2787 ♦		Astra H	1.8L L4 F/I	33-2787 ♦	
Astra J	1.4L L4 F/I	33-2964		Astra H	1.9L L4 DSL	33-2213 ♦	
Astra J	1.6L L4 F/I - exc. Turbo	33-2964		Astra H	2.0L L4 F/I	33-2787 ♦	
Astra J	1.6L L4 F/I - Turbo	33-2966		Combo	1.3L L4 DSL	33-2212	
Astra J	1.7L L4 DSL	33-2966		Combo	1.4L L4 F/I	33-2212	
Astra J	2.0L L4 DSL	33-2966		Combo	1.6L L4 F/I	33-2212	
Combo	1.3L L4 DSL	33-2212		Combo	1.7L L4 DSL	33-2212	
Combo	1.4L L4 F/I	33-2212		Corsa D	1.0L L3 F/I	33-2935 ♦	
Combo	1.6L L4 F/I	33-2212		Corsa D	1.2L L4 F/I	33-2935 ♦	
Combo	1.7L L4 DSL	33-2212		Corsa D	1.3L L4 DSL	33-2935	
Corsa D	1.0L L3 F/I	33-2935 ♦		Corsa D	1.4L L4 F/I	33-2935 ♦	
Corsa D	1.2L L4 F/I	33-2935 ♦		Corsa D	1.6L L4 F/I	33-2935 ♦	
Corsa D	1.3L L4 DSL	33-2935		Corsa D	1.7L L4 DSL	33-2935	
Corsa D	1.4L L4 F/I	33-2935 ♦		GT	2.0L L4 F/I	33-2369 ♦	
Corsa D	1.6L L4 F/I	33-2935 ♦		Insignia	1.6L L4 F/I	33-2962	
Corsa D	1.7L L4 DSL	33-2935		Insignia	1.8L L4 F/I	33-2962	
GT	2.0L L4 F/I	33-2369 ♦		Insignia	2.0L L4 DSL	33-2962	
Insignia	1.6L L4 F/I	33-2962		Insignia	2.0L L4 F/I	33-2962	
Insignia	1.8L L4 F/I	33-2962		Insignia	2.8L V6 F/I	33-2962	
Insignia	2.0L L4 DSL	33-2962		Meriva	1.3L L4 DSL	33-2212	
Insignia	2.0L L4 F/I	33-2962		Meriva	1.4L L4 F/I	33-2212	
Insignia	2.8L V6 F/I	33-2962		Meriva	1.6L L4 F/I	33-2212 ♦	
Meriva	1.3L L4 DSL	33-2212		Meriva	1.7L L4 DSL	33-2212	
Meriva	1.4L L4 F/I	33-2212		Meriva	1.8L L4 F/I	33-2212	
Meriva	1.6L L4 F/I	33-2212 ♦		Movano	1.9L L4 DSL	33-2884	
Meriva	1.7L L4 DSL	33-2212		Movano	2.2L L4 DSL	33-2892	
Meriva	1.8L L4 F/I	33-2212		Movano	2.5L L4 DSL	33-2892	
Movano	1.9L L4 DSL	33-2884		Signum	1.8L L4 F/I	33-2848	
Movano	2.2L L4 DSL	33-2892		Signum	2.0L L4 DSL	33-2848	
Movano	2.5L L4 DSL	33-2892		Signum	2.0L L4 F/I	33-2848	HP-7000
Signum	1.8L L4 F/I	33-2848		Signum	2.2L L4 DSL	33-2848	
Signum	2.0L L4 DSL	33-2848		Signum	2.2L L4 F/I	33-2848	
Signum	2.0L L4 F/I	33-2848		Signum	2.8L V6 F/I	33-2337	
Signum	2.2L L4 DSL	33-2848		Signum	3.0L V6 DSL	33-2848	
Signum	2.2L L4 F/I	33-2848					

\*Indicates 2 filters required      ♦ - Intake kit available      Applications updated daily at [knfilters.com](http://knfilters.com) ®

# AIR & OIL FILTERS

# OPEL

Vehicle	Engine Type	Air Filter	Oil Filter	Vehicle	Engine Type	Air Filter	Oil Filter
<b>2008 OPEL</b>				<b>2007 OPEL</b>			
Movano	2.5L L4 DSL	33-2892		Signum	1.9L L4 DSL	33-2848	
Signum	1.8L L4 F/I	33-2848		Signum	2.0L L4 DSL	33-2848	
Signum	2.0L L4 DSL	33-2848		Signum	2.0L L4 F/I	33-2848 ♦	HP-7000
Signum	2.0L L4 F/I	33-2848 ♦	HP-7000	Signum	2.2L L4 DSL	33-2848	
Signum	2.2L L4 DSL	33-2848		Signum	2.2L L4 F/I	33-2848 ♦	HP-7000
Signum	2.2L L4 F/I	33-2848 ♦		Signum	2.8L V6 F/I	33-2337	
Signum	2.8L V6 F/I	33-2337		Signum	3.0L V6 DSL	33-2848	
Signum	3.0L V6 DSL	33-2848		Signum	3.2L V6 F/I	33-2848	HP-7001
Signum	3.2L V6 F/I	33-2848		Tigra	1.3L L4 DSL	33-2212 ♦	
Tigra	1.3L L4 DSL	33-2212 ♦		Tigra	1.4L L4 F/I	33-2212 ♦	
Tigra	1.4L L4 F/I	33-2212 ♦		Tigra	1.8L L4 F/I	33-2212 ♦	
Tigra	1.8L L4 F/I	33-2212 ♦		Vectra C	1.6L L4 F/I	33-2848	
Vectra C	1.6L L4 F/I	33-2848		Vectra C	1.8L L4 F/I	33-2848 ♦	
Vectra C	1.8L L4 F/I	33-2848 ♦		Vectra C	1.9L L4 DSL	33-2848 ♦	
Vectra C	1.9L L4 DSL	33-2848 ♦		Vectra C	2.0L L4 DSL	33-2848 ♦	
Vectra C	2.0L L4 DSL	33-2848 ♦		Vectra C	2.0L L4 F/I	33-2848 ♦	
Vectra C	2.0L L4 F/I	33-2848 ♦		Vectra C	2.2L L4 DSL	33-2848 ♦	
Vectra C	2.2L L4 DSL	33-2848 ♦		Vectra C	2.2L L4 F/I	33-2848 ♦	
Vectra C	2.2L L4 F/I	33-2848 ♦		Vectra C	2.8L V6 F/I	33-2337	
Vectra C	2.8L V6 F/I	33-2337		Vectra C	3.0L V6 DSL	33-2848	
Vectra C	3.0L V6 DSL	33-2848		Vectra C	3.2L V6 F/I	33-2848 ♦	HP-7001
Vectra C	3.2L V6 F/I	33-2848 ♦	HP-7001	Zafira	1.6L L4 F/I	33-2787	
Zafira	1.6L L4 F/I	33-2787		Zafira	1.8L L4 F/I	33-2787 ♦	
Zafira	1.7L L4 DSL	33-2213		Zafira	1.9L L4 DSL	33-2213	
Zafira	1.8L L4 F/I	33-2787 ♦		Zafira	2.0L L4 F/I	33-2787 ♦	
Zafira	1.9L L4 DSL	33-2213		Zafira II	2.2L L4 F/I	33-2213 ♦	HP-7000
Zafira	2.0L L4 F/I	33-2787 ♦		<b>2006 OPEL</b>			
Zafira II	2.2L L4 F/I	33-2213 ♦	HP-7000	Agila	1.0L L3 F/I	33-2242	
<b>2007 OPEL</b>				Agila	1.2L L4 F/I	33-2242 ♦	
Agila	1.0L L3 F/I	33-2242		Astra H	1.3L L4 DSL	33-2787	
Agila	1.2L L4 F/I	33-2242 ♦		Astra H	1.4L L4 F/I	33-2787 ♦	
Antara	2.0L L4 DSL	33-2956		Astra H	1.6L L4 F/I	33-2787 ♦	
Antara	2.4L L4 F/I	33-2956		Astra H	1.7L L4 DSL	33-2787 ♦	
Antara	3.2L V6 F/I	33-2956		Astra H	1.8L L4 F/I	33-2787 ♦	
Astra H	1.3L L4 DSL	33-2787		Astra H	1.9L L4 DSL	33-2213 ♦	
Astra H	1.4L L4 F/I	33-2787 ♦		Astra H	2.0L L4 F/I	33-2787 ♦	
Astra H	1.6L L4 F/I - exc. Turbo	33-2787 ♦		Combo	1.3L L4 DSL	33-2212	
Astra H	1.6L L4 F/I - Turbo	33-2213 ♦		Combo	1.4L L4 F/I	33-2212	
Astra H	1.7L L4 DSL	33-2787 ♦		Combo	1.6L L4 F/I	33-2212	
Astra H	1.8L L4 F/I	33-2787 ♦		Combo	1.7L L4 DSL	33-2212	
Astra H	1.9L L4 DSL	33-2213 ♦		Corsa C	1.0L L3 F/I	33-2212 ♦	
Astra H	2.0L L4 F/I	33-2787 ♦		Corsa C	1.2L L4 F/I	33-2212 ♦	
Combo	1.3L L4 DSL	33-2212		Corsa C	1.3L L4 DSL	33-2212 ♦	
Combo	1.4L L4 F/I	33-2212		Corsa C	1.4L L4 F/I	33-2212 ♦	
Combo	1.6L L4 F/I	33-2212		Corsa C	1.7L L4 DSL	33-2212 ♦	
Combo	1.7L L4 DSL	33-2212		Corsa C	1.8L L4 F/I	33-2212 ♦	HP-7001
Corsa C	1.3L L4 DSL	33-2212		Corsa D	1.0L L4 F/I	33-2935	
Corsa D	1.0L L4 F/I	33-2935 ♦		Corsa D	1.2L L4 F/I	33-2935 ♦	
Corsa D	1.2L L4 F/I	33-2935 ♦		Corsa D	1.3L L4 DSL	33-2935	
Corsa D	1.3L L4 DSL	33-2935		Corsa D	1.4L L4 F/I	33-2935 ♦	
Corsa D	1.4L L4 F/I	33-2935 ♦		Corsa D	1.7L L4 DSL	33-2935	
Corsa D	1.6L L4 F/I	33-2935 ♦		Meriva	1.3L L4 DSL	33-2212	
Corsa D	1.7L L4 DSL	33-2935		Meriva	1.4L L4 F/I	33-2212	
GT	2.0L L4 F/I	33-2369 ♦		Meriva	1.6L L4 F/I	33-2212 ♦	
Meriva	1.3L L4 DSL	33-2212		Meriva	1.7L L4 DSL	33-2212 ♦	
Meriva	1.4L L4 F/I	33-2212		Meriva	1.8L L4 F/I	33-2212	
Meriva	1.6L L4 F/I	33-2212 ♦		Movano	1.9L L4 DSL	33-2884	
Meriva	1.7L L4 DSL	33-2212 ♦		Movano	2.2L L4 DSL	33-2892	
Meriva	1.8L L4 F/I	33-2212		Movano	2.5L L4 DSL	33-2892	
Movano	1.9L L4 DSL	33-2884		Movano	3.0L V6 DSL	33-2891	
Movano	2.2L L4 DSL	33-2892		Signum	1.8L L4 F/I	33-2848	
Movano	2.5L L4 DSL	33-2892		Signum	1.9L L4 DSL	33-2848	
Signum	1.8L L4 F/I	33-2848		Signum	2.0L L4 DSL	33-2848	

\*Indicates 2 filters required

♦ - Intake kit available

Applications updated daily at [knfilters.com](http://knfilters.com) ®

Partial Listing - Complete List of Vehicles and Applications at [knfilters.com](http://knfilters.com)

# OPEL

# AIR & OIL FILTERS

Vehicle	Engine Type	Air Filter	Oil Filter	Vehicle	Engine Type	Air Filter	Oil Filter
<b>2006 OPEL</b>				<b>2005 OPEL</b>			
Signum	2.0L L4 F/I	33-2848 ♦	HP-7000	Signum	1.8L L4 F/I	33-2848	
Signum	2.2L L4 DSL	33-2848		Signum	1.9L L4 DSL	33-2848	
Signum	2.2L L4 F/I	33-2848 ♦	HP-7000	Signum	2.0L L4 DSL	33-2848	
Signum	2.8L V6 F/I	33-2337		Signum	2.0L L4 F/I	33-2848 ♦	HP-7000
Signum	3.0L V6 DSL	33-2848		Signum	2.2L L4 DSL	33-2848	
Signum	3.2L V6 F/I	33-2848	HP-7001	Signum	2.2L L4 F/I	33-2848 ♦	HP-7000
Speedster	2.0L L4 F/I	33-2208		Signum	2.8L V6 F/I	33-2337	
Tigra	1.3L L4 DSL	33-2212 ♦		Signum	3.0L V6 DSL	33-2848	
Tigra	1.4L L4 F/I	33-2212 ♦		Signum	3.2L V6 F/I	33-2848	HP-7001
Tigra	1.8L L4 F/I	33-2212 ♦		Speedster	2.0L L4 F/I	33-2208	
Vectra C	1.6L L4 F/I	33-2848		Speedster	2.2L L4 F/I	33-2750 ♦	HP-7000
Vectra C	1.8L L4 F/I	33-2848 ♦		Tigra	1.3L L4 DSL	33-2212 ♦	
Vectra C	1.9L L4 DSL	33-2848 ♦		Tigra	1.4L L4 F/I	33-2212 ♦	
Vectra C	2.0L L4 DSL	33-2848 ♦		Tigra	1.8L L4 F/I	33-2212 ♦	
Vectra C	2.0L L4 F/I	33-2848 ♦		Vectra C	1.6L L4 F/I	33-2848	
Vectra C	2.2L L4 DSL	33-2848 ♦		Vectra C	1.8L L4 F/I	33-2848 ♦	
Vectra C	2.2L L4 F/I	33-2848 ♦		Vectra C	1.9L L4 DSL	33-2848 ♦	
Vectra C	2.8L V6 F/I	33-2337		Vectra C	2.0L L4 DSL	33-2848 ♦	
Vectra C	3.0L V6 DSL	33-2848		Vectra C	2.0L L4 F/I	33-2848 ♦	
Vectra C	3.2L V6 F/I	33-2848 ♦	HP-7001	Vectra C	2.2L L4 DSL	33-2848 ♦	
Zafira	1.6L L4 F/I	33-2787		Vectra C	2.8L V6 F/I	33-2337	
Zafira	1.8L L4 F/I	33-2787 ♦		Vectra C	3.0L V6 DSL	33-2848	
Zafira	1.9L L4 DSL	33-2213		Vectra C	3.2L V6 F/I	33-2848 ♦	HP-7001
Zafira	2.0L L4 F/I	33-2787 ♦		Vivaro	1.9L L4 DSL	33-2215	
Zafira II	2.2L L4 F/I	33-2213 ♦	HP-7000	Vivaro	2.0L L4 F/I	33-2194	
<b>2005 OPEL</b>				<b>2004 OPEL</b>			
Agila	1.0L L3 F/I	33-2242		Agila	1.0L L3 F/I	33-2242	
Agila	1.2L L4 F/I	33-2242 ♦		Agila	1.2L L4 F/I	33-2242 ♦	
Astra F	1.6L L4 F/I	33-2653-2 ♦		Astra F	1.6L L4 F/I	33-2653-2 ♦	
Astra G	1.2L L4 F/I	33-2787		Astra G	1.2L L4 F/I	33-2787	
Astra G	1.4L L4 F/I	33-2787 ♦		Astra G	1.4L L4 F/I	33-2787 ♦	
Astra G	1.7L L4 DSL	33-2787 ♦		Astra G	1.6L L4 F/I	33-2787 ♦	
Astra G	1.8L L4 F/I	33-2787 ♦	HP-7001	Astra G	1.7L L4 DSL	33-2787 ♦	
Astra G	2.0L L4 DSL	33-2787 ♦		Astra G	1.8L L4 F/I	33-2787 ♦	HP-7001
Astra G	2.0L L4 F/I	33-2787 ♦		Astra G	2.0L L4 DSL	33-2787 ♦	
Astra G	2.2L L4 DSL	33-2787		Astra G	2.0L L4 F/I	33-2787 ♦	
Astra G	2.2L L4 F/I	33-2213 ♦	HP-7000	Astra G	2.0L L4 F/I - Turbo	33-2208 ♦	
Astra H	1.3L L4 DSL	33-2787		Astra G	2.2L L4 DSL	33-2787	
Astra H	1.4L L4 F/I	33-2787 ♦		Astra G	2.2L L4 F/I	33-2213 ♦	HP-7000
Astra H	1.6L L4 F/I	33-2787 ♦		Astra H	1.4L L4 F/I	33-2787 ♦	
Astra H	1.7L L4 DSL	33-2787 ♦		Astra H	1.7L L4 DSL	33-2787 ♦	
Astra H	1.8L L4 F/I	33-2787 ♦		Astra H	1.8L L4 F/I	33-2787 ♦	
Astra H	1.9L L4 DSL	33-2213 ♦		Astra H	1.9L L4 DSL	33-2213 ♦	
Astra H	2.0L L4 F/I	33-2787 ♦		Astra H	2.0L L4 F/I	33-2787 ♦	
Combo	1.3L L4 DSL	33-2212		Combo	1.3L L4 DSL	33-2212	
Combo	1.4L L4 F/I	33-2212		Combo	1.4L L4 F/I	33-2212	
Combo	1.6L L4 F/I	33-2212		Combo	1.6L L4 F/I	33-2212	
Combo	1.7L L4 DSL	33-2212		Combo	1.7L L4 DSL	33-2212	
Corsa C	1.0L L3 F/I	33-2212 ♦		Corsa C	1.0L L3 F/I	33-2212 ♦	
Corsa C	1.2L L4 F/I	33-2212 ♦		Corsa C	1.2L L4 F/I	33-2212 ♦	
Corsa C	1.3L L4 DSL	33-2212 ♦		Corsa C	1.3L L4 DSL	33-2212 ♦	
Corsa C	1.4L L4 F/I	33-2212 ♦		Corsa C	1.4L L4 F/I	33-2212 ♦	
Corsa C	1.7L L4 DSL	33-2212 ♦		Corsa C	1.7L L4 DSL	33-2212 ♦	
Corsa C	1.8L L4 F/I	33-2212 ♦	HP-7001	Corsa C	1.8L L4 F/I	33-2212 ♦	HP-7001
Meriva	1.3L L4 DSL	33-2212		Frontera B	2.2L L4 DSL	33-2108	
Meriva	1.4L L4 F/I	33-2212		Frontera B	2.2L L4 F/I	33-2108	
Meriva	1.6L L4 F/I	33-2212 ♦					
Meriva	1.7L L4 DSL	33-2212 ♦					
Meriva	1.8L L4 F/I	33-2212					
Movano	1.9L L4 DSL	33-2884					
Movano	2.2L L4 DSL	33-2892					
Movano	2.5L L4 DSL	33-2892					
Movano	3.0L V6 DSL	33-2891					

\*Indicates 2 filters required    ♦ - Intake kit available    Applications updated daily at [knfilters.com](http://knfilters.com) ®

# AIR & OIL FILTERS

# OPEL

Vehicle	Engine Type	Air Filter	Oil Filter	Vehicle	Engine Type	Air Filter	Oil Filter
<b>2004 OPEL</b>				<b>2003 OPEL</b>			
Frontera B	3.2L V6 F/I	33-2108 ♦		Frontera B	2.2L L4 DSL	33-2108	
Meriva	1.3L L4 DSL	33-2212		Frontera B	2.2L L4 F/I	33-2108	
Meriva	1.4L L4 F/I	33-2212		Frontera B	3.2L V6 F/I	33-2108 ♦	
Meriva	1.6L L4 F/I	33-2212 ♦		Meriva	1.3L L4 DSL	33-2212	
Meriva	1.7L L4 DSL	33-2212 ♦		Meriva	1.6L L4 F/I	33-2212 ♦	
Meriva	1.8L L4 F/I	33-2212		Meriva	1.7L L4 DSL	33-2212 ♦	
Movano	1.9L L4 DSL	33-2884		Meriva	1.8L L4 F/I	33-2212	
Movano	2.2L L4 DSL	33-2892		Movano	1.9L L4 DSL	33-2884	
Movano	2.5L L4 DSL	33-2892		Movano	2.2L L4 DSL - from 11/03	33-2892	
Movano	3.0L V6 DSL	33-2891		Movano	2.2L L4 DSL - to 10/03	33-2884	
Signum	1.8L L4 F/I	33-2848		Movano	2.5L L4 DSL - from 11/03	33-2892	
Signum	1.9L L4 DSL	33-2848		Movano	2.5L L4 DSL - to 10/03	33-2884	
Signum	2.0L L4 DSL	33-2848		Omega B	2.2L L4 DSL	33-2734	
Signum	2.0L L4 F/I	33-2848 ♦	HP-7000	Omega B	2.2L L4 F/I	33-2734	
Signum	2.2L L4 DSL	33-2848		Omega B	2.5L V6 DSL	33-2734	
Signum	2.2L L4 F/I	33-2848 ♦	HP-7000	Omega B	2.6L V6 F/I	33-2734	HP-7001
Signum	3.0L V6 DSL	33-2848		Omega B	3.2L V6 F/I	33-2734	HP-7001
Signum	3.2L V6 F/I	33-2848	HP-7001	Omega B	1.8L L4 F/I	33-2848	
Speedster	2.0L L4 F/I	33-2208		Signum	2.0L L4 DSL	33-2848	
Speedster	2.2L L4 F/I	33-2750 ♦	HP-7000	Signum	2.0L L4 F/I	33-2848 ♦	HP-7000
Tigra	1.3L L4 DSL	33-2212 ♦		Signum	2.2L L4 DSL	33-2848	
Tigra	1.4L L4 F/I	33-2212 ♦		Signum	2.2L L4 F/I	33-2848 ♦	HP-7000
Tigra	1.8L L4 F/I	33-2212 ♦		Signum	3.0L V6 DSL	33-2848	
Vectra C	1.6L L4 F/I	33-2848		Signum	3.2L V6 F/I	33-2848	HP-7001
Vectra C	1.8L L4 F/I	33-2848 ♦		Speedster	2.0L L4 F/I	33-2208	
Vectra C	1.9L L4 DSL	33-2848 ♦		Speedster	2.2L L4 F/I	33-2750 ♦	HP-7000
Vectra C	2.0L L4 DSL	33-2848 ♦		Vectra B	1.6L L4 F/I	33-2750 ♦	
Vectra C	2.0L L4 F/I	33-2848 ♦		Vectra B	2.2L L4 DSL	33-2771	
Vectra C	2.2L L4 DSL	33-2848 ♦		Vectra B	2.2L L4 F/I	33-2771 ♦	HP-7000
Vectra C	2.2L L4 F/I	33-2848 ♦		Vectra B	2.6L V6 F/I	33-2750 ♦	HP-7001
Vectra C	3.0L V6 DSL	33-2848		Vectra C	1.6L L4 F/I	33-2848	
Vectra C	3.2L V6 F/I	33-2848 ♦	HP-7001	Vectra C	1.8L L4 F/I	33-2848 ♦	
Vivaro	1.9L L4 DSL	33-2215		Vectra C	2.0L L4 DSL	33-2848 ♦	
Vivaro	2.0L L4 F/I	33-2194		Vectra C	2.0L L4 F/I	33-2848 ♦	
Zafira	1.6L L4 F/I	33-2787 ♦		Vectra C	2.2L L4 DSL	33-2848 ♦	
Zafira	1.8L L4 F/I	33-2787 ♦	HP-7001	Vectra C	2.2L L4 F/I	33-2848 ♦	
Zafira	2.0L L4 DSL	33-2208 ♦		Vectra C	3.0L V6 DSL	33-2848	
Zafira	2.0L L4 F/I	33-2208 ♦		Vectra C	3.2L V6 F/I	33-2848 ♦	HP-7001
		33-2787 ♦		Vivaro	1.9L L4 DSL	33-2215	
Zafira	2.2L L4 DSL	33-2208		Vivaro	2.0L L4 F/I	33-2194	
Zafira	2.2L L4 F/I	33-2213	HP-7000	Zafira	1.6L L4 F/I	33-2787 ♦	
				Zafira	1.8L L4 F/I	33-2787 ♦	HP-7001
				Zafira	2.0L L4 DSL	33-2208 ♦	
				Zafira	2.0L L4 F/I	33-2208 ♦	
					33-2787 ♦		
				Zafira	2.2L L4 DSL	33-2208	
				Zafira	2.2L L4 F/I	33-2213	HP-7000
<b>2003 OPEL</b>				<b>2002 OPEL</b>			
Agila	1.0L L3 F/I	33-2242		Agila	1.0L L3 F/I	33-2242	
Agila	1.2L L4 F/I	33-2242 ♦		Agila	1.2L L4 F/I	33-2242 ♦	
Astra F	1.6L L4 F/I	33-2653-2 ♦		Astra F	1.6L L4 F/I	33-2653-2 ♦	
Astra G	1.2L L4 F/I	33-2787		Astra G	1.2L L4 F/I	33-2787	
Astra G	1.4L L4 F/I	33-2787 ♦		Astra G	1.4L L4 F/I	33-2787 ♦	
Astra G	1.6L L4 F/I	33-2787 ♦		Astra G	1.6L L4 F/I	33-2787 ♦	
Astra G	1.7L L4 DSL	33-2787 ♦		Astra G	1.7L L4 DSL	33-2787	
Astra G	1.8L L4 F/I	33-2787 ♦	HP-7001	Astra G	1.8L L4 F/I	33-2787 ♦	HP-7001
Astra G	2.0L L4 DSL	33-2787 ♦		Astra G	2.0L L4 DSL	33-2787 ♦	
Astra G	2.0L L4 F/I	33-2787 ♦		Astra G	2.0L L4 F/I	33-2787 ♦	
Astra G	2.0L L4 F/I - Turbo	33-2208 ♦		Astra G	2.0L L4 F/I - Turbo	33-2208 ♦	
Astra G	2.2L L4 DSL	33-2787		Astra G	2.2L L4 DSL	33-2787	
Astra G	2.2L L4 F/I	33-2213 ♦	HP-7000	Astra G	2.2L L4 F/I	33-2213 ♦	HP-7000
Combo	1.6L L4 F/I	33-2212		Combo	1.6L L4 F/I	33-2212	
Combo	1.7L L4 DSL	33-2212					
Corsa C	1.0L L3 F/I	33-2212 ♦					
Corsa C	1.2L L4 F/I	33-2212 ♦					
Corsa C	1.3L L4 DSL	33-2212 ♦					
Corsa C	1.4L L4 F/I	33-2212 ♦					
Corsa C	1.7L L4 DSL	33-2212 ♦					
Corsa C	1.8L L4 F/I	33-2212 ♦	HP-7001				

\*Indicates 2 filters required      ♦ - Intake kit available      Applications updated daily at [knfilters.com](http://knfilters.com) ®

**Partial Listing - Complete List of Vehicles and Applications at [knfilters.com](http://knfilters.com)**

# OPEL

# AIR & OIL FILTERS

Vehicle	Engine Type	Air Filter	Oil Filter	Vehicle	Engine Type	Air Filter	Oil Filter
<b>2002 OPEL</b>				<b>2001 OPEL</b>			
Combo	1.7L L4 DSL	33-2212		Corsa C	1.7L L4 DSL	33-2212	
Corsa C	1.0L L3 F/I	33-2212 ♦		Corsa C	1.8L L4 F/I	33-2212 ♦	HP-7001
Corsa C	1.2L L4 F/I	33-2212 ♦		Frontera B	2.2L L4 DSL	33-2108	
Corsa C	1.4L L4 F/I	33-2212 ♦		Frontera B	2.2L L4 F/I	33-2108	
Corsa C	1.7L L4 DSL	33-2212		Frontera B	3.2L V6 F/I	33-2108 ♦	
Corsa C	1.8L L4 F/I	33-2212 ♦	HP-7001	Movano	1.9L L4 DSL - 80BHP	33-2884	
Frontera B	2.2L L4 DSL	33-2108		Movano	1.9L L4 DSL - 82BHP	33-2215	
Frontera B	2.2L L4 F/I	33-2108		Movano	2.2L L4 DSL	33-2884	
Frontera B	3.2L V6 F/I	33-2108 ♦		Movano	2.5L L4 DSL	33-2884	
Movano	1.9L L4 DSL	33-2884		Movano	2.8L L4 DSL	33-2884	
Movano	2.2L L4 DSL	33-2884		Omega B	2.2L L4 DSL	33-2734	
Movano	2.5L L4 DSL	33-2884		Omega B	2.2L L4 F/I	33-2734	
Omega B	2.2L L4 DSL	33-2734		Omega B	2.5L V6 DSL	33-2734	
Omega B	2.2L L4 F/I	33-2734		Omega B	2.6L V6 F/I	33-2734	HP-7001
Omega B	2.5L V6 DSL	33-2734		Omega B	3.0L V6 F/I	33-2734	HP-7001
Omega B	2.6L V6 F/I	33-2734	HP-7001	Omega B	3.2L V6 F/I	33-2734	HP-7001
Omega B	3.2L V6 F/I	33-2734	HP-7001	Speedster	2.2L L4 F/I	33-2750 ♦	HP-7000
Speedster	2.2L L4 F/I	33-2750 ♦	HP-7000	Vectra B	1.6L L4 F/I	33-2750 ♦	
Vectra B	1.6L L4 F/I	33-2750 ♦		Vectra B	1.8L L4 F/I	33-2750 ♦	HP-7001
Vectra B	1.8L L4 F/I	33-2750 ♦	HP-7001	Vectra B	2.0L L4 DSL	33-2771	
Vectra B	2.0L L4 DSL	33-2771		Vectra B	2.0L L4 F/I	33-2750 ♦	
Vectra B	2.0L L4 F/I	33-2750 ♦		Vectra B	2.2L L4 DSL	33-2771 ♦	
Vectra B	2.2L L4 DSL	33-2771 ♦		Vectra B	2.2L L4 F/I	33-2771 ♦	HP-7000
Vectra B	2.2L L4 F/I	33-2771 ♦	HP-7000	Vectra B	2.6L V6 F/I	33-2750 ♦	HP-7001
Vectra B	2.6L V6 F/I	33-2750 ♦	HP-7001	Vivaro	1.9L L4 DSL	33-2215	
Vectra C	1.6L L4 F/I	33-2848		Vivaro	2.0L L4 F/I	33-2194	
Vectra C	1.8L L4 F/I	33-2848 ♦		Zafira	1.6L L4 F/I	33-2787 ♦	
Vectra C	2.0L L4 DSL	33-2848 ♦		Zafira	1.8L L4 F/I	33-2787 ♦	HP-7001
Vectra C	2.2L L4 DSL	33-2848 ♦		Zafira	2.0L L4 DSL	33-2208 ♦	
Vectra C	2.2L L4 F/I	33-2848 ♦		Zafira	2.0L L4 F/I	33-2208 ♦	
Vectra C	3.2L V6 F/I	33-2848 ♦	HP-7001	Zafira	2.0L L4 F/I	33-2787 ♦	
Vivaro	1.9L L4 DSL	33-2215		Zafira	2.2L L4 DSL	33-2208	
Vivaro	2.0L L4 F/I	33-2194		Zafira	2.2L L4 F/I	33-2213	HP-7000
Zafira	1.6L L4 F/I	33-2787 ♦		<b>2000 OPEL</b>			
Zafira	1.8L L4 F/I	33-2787 ♦	HP-7001	Agila	1.0L L3 F/I	33-2242	
Zafira	2.0L L4 DSL	33-2208 ♦		Agila	1.2L L4 F/I	33-2242	
Zafira	2.0L L4 F/I	33-2208 ♦		Astra F	1.4L L4 F/I	33-2653-2	
		33-2787 ♦		Astra F	1.6L L4 F/I	33-2653-2 ♦	
Zafira	2.2L L4 DSL	33-2208		Astra F	1.8L L4 F/I	33-2653-2	
Zafira	2.2L L4 F/I	33-2213	HP-7000	Astra G	1.2L L4 F/I	33-2787	
<b>2001 OPEL</b>				Astra G	1.4L L4 F/I	33-2787 ♦	
Agila	1.0L L3 F/I	33-2242		Astra G	1.6L L4 F/I	33-2787 ♦	
Agila	1.2L L4 F/I	33-2242		Astra G	1.7L L4 DSL	33-2787	
Astra F	1.4L L4 F/I	33-2653-2		Astra G	1.8L L4 F/I	33-2787 ♦	HP-7001
Astra F	1.6L L4 F/I	33-2653-2 ♦		Astra G	2.0L L4 DSL	33-2787 ♦	
Astra F	1.8L L4 F/I	33-2653-2		Astra G	2.0L L4 F/I	33-2787 ♦	
Astra G	1.2L L4 F/I	33-2787		Astra G	2.0L L4 F/I - Turbo	33-2208 ♦	
Astra G	1.4L L4 F/I	33-2787 ♦		Astra G	2.2L L4 F/I	33-2213 ♦	HP-7000
Astra G	1.6L L4 F/I	33-2787 ♦		Combo	1.2L L4 F/I	33-2098	
Astra G	1.7L L4 DSL	33-2787		Combo	1.4L L4 F/I	33-2098	
Astra G	1.8L L4 F/I	33-2787 ♦	HP-7001	Combo	1.7L L4 DSL	33-2098	
Astra G	2.0L L4 DSL	33-2787 ♦		Corsa B	1.0L L3 F/I	33-2098 ♦	
Astra G	2.0L L4 F/I	33-2787 ♦		Corsa B	1.2L L4 F/I	33-2098 ♦	
Astra G	2.0L L4 F/I - Turbo	33-2208 ♦		Corsa B	1.4L L4 F/I	33-2098 ♦	
Astra G	2.2L L4 F/I	33-2213 ♦	HP-7000	Corsa B	1.5L L4 DSL	33-2098	
Combo	1.2L L4 F/I	33-2098		Corsa B	1.6L L4 F/I	33-2098 ♦	
Combo	1.4L L4 F/I	33-2098		Corsa B	1.7L L4 DSL	33-2098	
Combo	1.6L L4 F/I	33-2212		Corsa C	1.0L L3 F/I	33-2212 ♦	
Combo	1.7L L4 DSL - 60BHP	33-2098		Corsa C	1.2L L4 F/I	33-2212 ♦	
Combo	1.7L L4 DSL - Exc., 60BHP	33-2212		Corsa C	1.4L L4 F/I	33-2212 ♦	
Corsa C	1.0L L3 F/I	33-2212 ♦		Corsa C	1.7L L4 DSL	33-2212	
Corsa C	1.2L L4 F/I	33-2212 ♦		Corsa C	1.8L L4 F/I	33-2212 ♦	HP-7001
Corsa C	1.4L L4 F/I	33-2212 ♦		Frontera B	2.2L L4 DSL	33-2108	

\*Indicates 2 filters required

♦ - Intake kit available

Applications updated daily at [knfilters.com](http://knfilters.com) ®

# AIR & OIL FILTERS

# OPEL

Vehicle	Engine Type	Air Filter	Oil Filter	Vehicle	Engine Type	Air Filter	Oil Filter
<b>2000 OPEL</b>				<b>1999 OPEL</b>			
Frontera B	2.2L L4 F/I	33-2108		Sintra	3.0L V6 F/I	33-2063-1	HP-7001
Frontera B	3.2L V6 F/I	33-2108 ♦		Tigra	1.4L L4 F/I	33-2098 ♦	
Movano	1.9L L4 DSL	33-2215		Tigra	1.6L L4 F/I	33-2098 ♦	
Movano	2.2L L4 DSL	33-2884		Vectra B	1.6L L4 F/I	33-2750 ♦	
Movano	2.5L L4 DSL	33-2884		Vectra B	1.8L L4 F/I	33-2750 ♦	
Movano	2.8L L4 DSL	33-2884		Vectra B	2.0L L4 DSL	33-2771 ♦	
Omega B	2.0L L4 DSL	33-2734		Vectra B	2.0L L4 F/I	33-2750 ♦	
Omega B	2.0L L4 F/I	33-2734		Vectra B	2.5L V6 F/I	33-2750 ♦	HP-7001
Omega B	2.2L L4 DSL	33-2734		Zafira	1.6L L4 F/I	33-2787 ♦	
Omega B	2.2L L4 F/I	33-2734		Zafira	1.8L L4 F/I	33-2787 ♦	HP-7001
Omega B	2.5L V6 DSL	33-2734		Zafira	2.0L L4 DSL	33-2208 ♦	
Omega B	2.5L V6 F/I	33-2734	HP-7001	<b>1998 OPEL</b>			
Omega B	2.6L V6 F/I	33-2734	HP-7001	Astra F	1.4L L4 F/I	33-2653-2 ♦	
Omega B	3.0L V6 F/I	33-2734	HP-7001	Astra F	1.6L L4 F/I	33-2653-2 ♦	
Speedster	2.2L L4 F/I	33-2750 ♦	HP-7000	Astra F	1.7L L4 DSL	33-2653-2	
Tigra	1.4L L4 F/I	33-2098 ♦		Astra F	1.8L L4 F/I	33-2653-2 ♦	
Vectra B	1.6L L4 F/I	33-2750 ♦		Astra F	2.0L L4 F/I	33-2653-2 ♦	
Vectra B	1.8L L4 F/I	33-2750 ♦	HP-7001	Astra G	1.2L L4 F/I	33-2787	
Vectra B	2.0L L4 DSL	33-2771 ♦		Astra G	1.4L L4 F/I	33-2787 ♦	
Vectra B	2.0L L4 F/I	33-2750 ♦		Astra G	1.6L L4 F/I	33-2787 ♦	
Vectra B	2.2L L4 DSL	33-2771 ♦		Astra G	1.7L L4 DSL	33-2787	
Vectra B	2.2L L4 F/I	33-2771 ♦	HP-7000	Astra G	1.8L L4 F/I	33-2787 ♦	HP-7001
Vectra B	2.5L V6 F/I	33-2750 ♦	HP-7001	Astra G	2.0L L4 DSL	33-2787 ♦	
Vectra B	2.6L V6 F/I	33-2750 ♦	HP-7001	Astra G	2.0L L4 F/I	33-2787 ♦	
Zafira	1.6L L4 F/I	33-2787 ♦		Astra G	2.0L L4 F/I	33-2080 ♦	
Zafira	1.8L L4 F/I	33-2787 ♦	HP-7001	Calibra	2.0L L4 F/I	33-2080 ♦	
Zafira	2.0L L4 DSL	33-2208 ♦		Calibra	2.5L V6 F/I	33-2080 ♦	
Zafira	2.2L L4 DSL	33-2208		Combo	1.2L L4 F/I	33-2098	
Zafira	2.2L L4 F/I	33-2213	HP-7000	Combo	1.4L L4 F/I	33-2098	
<b>1999 OPEL</b>				Combo	1.7L L4 DSL	33-2098	
Astra F	1.4L L4 F/I	33-2653-2		Corsa B	1.0L L3 F/I	33-2098 ♦	
Astra F	1.6L L4 F/I	33-2653-2 ♦		Corsa B	1.2L L4 F/I	33-2098 ♦	
Astra F	1.8L L4 F/I	33-2653-2		Corsa B	1.4L L4 F/I	33-2098 ♦	
Astra G	1.2L L4 F/I	33-2787		Corsa B	1.5L L4 DSL	33-2098	
Astra G	1.4L L4 F/I	33-2787 ♦		Corsa B	1.6L L4 F/I	33-2098 ♦	
Astra G	1.6L L4 F/I	33-2787 ♦		Corsa B	1.7L L4 DSL	33-2098	
Astra G	1.7L L4 DSL	33-2787		Corsa B	1.7L L4 DSL	33-2098	
Astra G	1.8L L4 F/I	33-2787 ♦	HP-7001	Frontera A	2.0L L4 F/I	33-2013 ♦	
Astra G	2.0L L4 DSL	33-2787 ♦		Frontera A	2.2L L4 F/I	33-2013	
Astra G	2.0L L4 F/I	33-2787 ♦		Frontera A	2.3L L4 DSL	33-2013	
Combo	1.2L L4 F/I	33-2098		Frontera A	2.4L L4 F/I	33-2013	
Combo	1.4L L4 F/I	33-2098		Frontera A	2.5L L4 DSL	33-2013	
Combo	1.7L L4 DSL	33-2098		Frontera A	2.8L L4 DSL	33-2013	
Corsa B	1.0L L3 F/I	33-2098 ♦		Frontera A	2.2L L4 DSL	33-2108	
Corsa B	1.2L L4 F/I	33-2098 ♦		Frontera B	2.2L L4 F/I	33-2108	
Corsa B	1.4L L4 F/I	33-2098 ♦		Frontera B	2.2L L4 F/I	33-2108	
Corsa B	1.5L L4 DSL	33-2098		Frontera B	3.2L V6 F/I	33-2108 ♦	
Corsa B	1.6L L4 F/I	33-2098 ♦		Frontera B	3.1L L4 DSL	38-9154	
Corsa B	1.7L L4 DSL	33-2098		Monterey A	3.2L V6 F/I	33-2064	
Frontera B	2.2L L4 DSL	33-2108		Monterey B	3.5L V6 F/I	33-2064	
Frontera B	2.2L L4 F/I	33-2108		Movano	2.5L L4 DSL	33-2884	
Frontera B	3.2L V6 F/I	33-2108 ♦		Movano	2.8L L4 DSL	33-2884	
Monterey B	3.5L V6 F/I	33-2064		Omega B	2.0L L4 DSL	33-2734	
Movano	2.5L L4 DSL	33-2884		Omega B	2.0L L4 F/I	33-2734	
Movano	2.8L L4 DSL	33-2884		Omega B	2.5L V6 DSL	33-2734	
Omega B	2.0L L4 DSL	33-2734		Omega B	2.5L V6 F/I	33-2734	HP-7001
Omega B	2.0L L4 F/I	33-2734		Omega B	3.0L V6 F/I	33-2734	HP-7001
Omega B	2.2L L4 F/I	33-2734		Sintra	2.2L L4 DSL	33-2063-1	
Omega B	2.5L V6 DSL	33-2734		Sintra	2.2L L4 F/I	33-2063-1	
Omega B	2.5L V6 F/I	33-2734	HP-7001	Sintra	3.0L V6 F/I	33-2063-1	HP-7001
Omega B	3.0L V6 F/I	33-2734	HP-7001	Tigra	1.4L L4 F/I	33-2098 ♦	
Sintra	2.2L L4 DSL	33-2063-1		Tigra	1.6L L4 F/I	33-2098 ♦	
Sintra	2.2L L4 F/I	33-2063-1		Vectra B	1.6L L4 F/I	33-2750 ♦	
				Vectra B	1.8L L4 F/I	33-2750 ♦	
				Vectra B	2.0L L4 DSL	33-2771 ♦	
				Vectra B	2.0L L4 F/I	33-2750 ♦	

\*Indicates 2 filters required

♦ - Intake kit available

Applications updated daily at [knfilters.com](http://knfilters.com) ®

Partial Listing - Complete List of Vehicles and Applications at [knfilters.com](http://knfilters.com)

# OPEL

# AIR & OIL FILTERS

Vehicle	Engine Type	Air Filter	Oil Filter
<b>1998 OPEL</b>			
Vectra B	2.5L V6 F/I	33-2750 ♦	HP-7001
<b>1997 OPEL</b>			
Astra F	1.4L L4 F/I	33-2653-2 ♦	
Astra F	1.6L L4 F/I	33-2653-2 ♦	
Astra F	1.7L L4 DSL	33-2653-2	
Astra F	1.8L L4 F/I	33-2653-2 ♦	
Astra F	2.0L L4 F/I	33-2653-2 ♦	
Calibra	2.0L L4 F/I	33-2080 ♦	
Calibra	2.5L V6 F/I	33-2080 ♦	
Combo	1.4L L4 F/I	33-2098	
Corsa B	1.0L L3 F/I	33-2098 ♦	
Corsa B	1.2L L4 F/I	33-2098 ♦	
Corsa B	1.4L L4 F/I	33-2098 ♦	
Corsa B	1.5L L4 DSL	33-2098	
Corsa B	1.6L L4 F/I	33-2098 ♦	
Corsa B	1.7L L4 DSL	33-2098	
Frontera A	2.0L L4 F/I	33-2013 ♦	
Frontera A	2.2L L4 F/I	33-2013	
Frontera A	2.5L L4 DSL	33-2013	
Frontera A	2.8L L4 DSL	33-2013	
Monterey A	3.1L L4 DSL	38-9154	
Monterey A	3.2L V6 F/I	33-2064	
Omega B	2.0L L4 DSL	33-2734	
Omega B	2.0L L4 F/I	33-2734	
Omega B	2.5L L6 DSL	33-2734	
Omega B	2.5L V6 F/I	33-2734	HP-7001
Omega B	3.0L V6 F/I	33-2734	HP-7001
Sintra	2.2L L4 DSL	33-2063-1	
Sintra	2.2L L4 F/I	33-2063-1	
Sintra	3.0L V6 F/I	33-2063-1	HP-7001
Tigra	1.4L L4 F/I	33-2098 ♦	
Tigra	1.6L L4 F/I	33-2098 ♦	
Vectra B	1.6L L4 F/I	33-2750 ♦	
Vectra B	1.8L L4 F/I	33-2750 ♦	
Vectra B	2.0L L4 DSL	33-2771 ♦	
Vectra B	2.0L L4 F/I	33-2750 ♦	
Vectra B	2.5L V6 F/I	33-2750 ♦	HP-7001

Vehicle	Engine Type	Air Filter	Oil Filter
<b>1996 OPEL</b>			
Astra F	1.4L L4 F/I	33-2653-2 ♦	
Astra F	1.6L L4 F/I	33-2653-2 ♦	
Astra F	1.7L L4 DSL	33-2653-2	
Astra F	1.8L L4 F/I	33-2653-2 ♦	
Astra F	2.0L L4 F/I	33-2653-2 ♦	
Calibra	2.0L L4 F/I	33-2080 ♦	
Calibra	2.5L V6 F/I	33-2080 ♦	
Campo	2.2L L4 DSL	E-2760	
Combo	1.2L L4 F/I	33-2098	
Combo	1.4L L4 F/I	33-2098	
Combo	1.7L L4 DSL	33-2098	
Corsa B	1.0L L3 F/I	33-2098 ♦	
Corsa B	1.2L L4 F/I	33-2098 ♦	
Corsa B	1.4L L4 F/I	33-2098 ♦	
Corsa B	1.5L L4 DSL	33-2098	
Corsa B	1.6L L4 F/I	33-2098 ♦	
Corsa B	1.7L L4 DSL	33-2098	
Frontera A	2.0L L4 F/I	33-2013 ♦	
Frontera A	2.2L L4 F/I	33-2013	
Frontera A	2.3L L4 DSL	33-2013	
Frontera A	2.4L L4 F/I	33-2013	
Frontera A	2.5L L4 DSL	33-2013	
Frontera A	2.8L L4 DSL	33-2013	
Monterey A	3.1L L4 DSL	38-9154	
Omega B	2.0L L4 F/I	33-2734	

Vehicle	Engine Type	Air Filter	Oil Filter
<b>1996 OPEL</b>			
Omega B	2.5L L6 DSL	33-2734	
Omega B	2.5L V6 F/I	33-2734	HP-7001
Omega B	3.0L V6 F/I	33-2734	HP-7001
Sintra	2.2L L4 F/I	33-2063-1	
Tigra	1.4L L4 F/I	33-2098 ♦	
Tigra	1.6L L4 F/I	33-2098 ♦	
Vectra B	1.6L L4 F/I	33-2750 ♦	
Vectra B	1.7L L4 DSL	33-2770	
Vectra B	1.8L L4 F/I	33-2750 ♦	
Vectra B	2.0L L4 DSL	33-2771	
Vectra B	2.0L L4 F/I	33-2750 ♦	
Vectra B	2.5L V6 F/I	33-2750 ♦	HP-7001

Vehicle	Engine Type	Air Filter	Oil Filter
<b>1995 OPEL</b>			
Astra F	1.4L L4 F/I	33-2653-2 ♦	
Astra F	1.6L L4 F/I	33-2653-2 ♦	
Astra F	1.7L L4 DSL - from 10/95	33-2653-2	
Astra F	1.7L L4 DSL - to 9/95, 82BHP	33-2031-2	
Astra F	1.8L L4 F/I	33-2653-2 ♦	
Astra F	2.0L L4 F/I	33-2653-2 ♦	
Calibra	2.0L L4 F/I	33-2080 ♦	
Calibra	2.5L V6 F/I	33-2080 ♦	
Campo	2.2L L4 DSL	E-2760	
Corsa B	1.2L L4 F/I	33-2098 ♦	
Corsa B	1.4L L4 F/I	33-2098 ♦	
Corsa B	1.5L L4 DSL	33-2098	
Corsa B	1.6L L4 F/I	33-2098 ♦	
Frontera A	2.0L L4 F/I	33-2013 ♦	
Frontera A	2.2L L4 F/I	33-2013	
Frontera A	2.3L L4 DSL	33-2013	
Frontera A	2.4L L4 F/I	33-2013	
Frontera A	2.8L L4 DSL	33-2013	
Monterey A	3.1L L4 DSL	38-9154	
Omega B	2.0L L4 F/I	33-2734	
Omega B	2.5L L6 DSL	33-2734	
Omega B	2.5L V6 F/I	33-2734	HP-7001
Omega B	3.0L V6 F/I	33-2734	HP-7001
Tigra	1.4L L4 F/I	33-2098 ♦	
Tigra	1.6L L4 F/I	33-2098 ♦	
Vectra A	1.6L L4 F/I - 71/75BHP	33-2080 ♦	
Vectra A	1.7L L4 DSL - exc. Turbo	33-2080	
Vectra A	1.7L L4 DSL - Turbo	33-2031-2	
Vectra A	1.8L L4 F/I	33-2080 ♦	
Vectra A	2.0L L4 F/I - inc. 16v, 4WD, Turbo	33-2080 ♦	
Vectra A	2.5L V6 F/I	33-2080 ♦	
Vectra B	1.6L L4 F/I	33-2750 ♦	
Vectra B	1.7L L4 DSL	33-2770	
Vectra B	1.8L L4 F/I	33-2750 ♦	
Vectra B	2.0L L4 F/I	33-2750 ♦	
Vectra B	2.5L V6 F/I	33-2750 ♦	HP-7001

Vehicle	Engine Type	Air Filter	Oil Filter
<b>1994 OPEL</b>			
Astra F	1.4L L4 F/I	33-2653-2 ♦	
Astra F	1.6L L4 F/I	33-2653-2 ♦	
Astra F	1.7L L4 DSL - 82BHP	33-2031-2	
Astra F	1.7L L4 DSL - Exc., 82BHP	33-2653-2	
Astra F	1.8L L4 F/I	33-2653-2 ♦	
Astra F	2.0L L4 F/I	33-2653-2 ♦	
Calibra	2.0L L4 F/I	33-2080 ♦	
Calibra	2.5L V6 F/I	33-2080 ♦	
Corsa B	1.2L L4 F/I	33-2098 ♦	
Corsa B	1.4L L4 F/I	33-2098 ♦	

\*Indicates 2 filters required

♦ - Intake kit available

Applications updated daily at [knfilters.com](http://knfilters.com) ®



# AIR & OIL FILTERS

# OPEL

Vehicle	Engine Type	Air Filter	Oil Filter	Vehicle	Engine Type	Air Filter	Oil Filter
<b>1994 OPEL</b>				<b>1993 OPEL</b>			
Corsa B	1.5L L4 DSL	33-2098		Vectra A	1.6L L4 F/I - 71/75BHP	33-2080 ♦	
Corsa B	1.6L L4 F/I	33-2098 ♦		Vectra A	1.7L L4 DSL - exc. Turbo	33-2080	
Frontera A	2.0L L4 F/I	33-2013 ♦		Vectra A	1.7L L4 DSL - Turbo	33-2031-2	
Frontera A	2.3L L4 DSL	33-2013		Vectra A	1.8L L4 F/I	33-2080 ♦	
Frontera A	2.4L L4 F/I	33-2013		Vectra A	2.0L L4 F/I - inc. 16v, 4WD, Turbo	33-2080 ♦	
Kadett E	1.6L L4 F/I	E-1070		Vectra A	2.5L V6 F/I	33-2080 ♦	
Kadett E	1.7L L4 DSL	33-2609		<b>1992 OPEL</b>			
Monterey A	3.1L L4 DSL	38-9154		Astra F	1.4L L4 F/I	33-2653-2 ♦	
Monterey A	3.2L V6 F/I	33-2064		Astra F	1.6L L4 F/I	33-2653-2 ♦	
Omega A	2.0L L4 F/I	33-2013 ♦		Astra F	1.7L L4 DSL - 82BHP	33-2031-2	
Omega A	2.4L L4 F/I	33-2013		Astra F	1.7L L4 DSL - Exc., 82BHP	33-2653-2	
Omega A	3.0L V6 F/I	33-2013		Astra F	1.8L L4 F/I	33-2653-2 ♦	
Omega B	2.0L L4 F/I	33-2734		Astra F	2.0L L4 F/I	33-2653-2 ♦	
Omega B	2.5L L6 DSL	33-2734	HP-7001	Calibra	2.0L L4 F/I	33-2080 ♦	
Omega B	2.5L V6 F/I	33-2734	HP-7001	Corsa A	1.0L L4 F/I	E-2585	
Omega B	3.0L V6 F/I	33-2734		Corsa A	1.2L L4 F/I	E-1070	
Tigra	1.4L L4 F/I	33-2098 ♦		Corsa A	1.4L L4 F/I - 82BHP	33-2547 ♦	
Tigra	1.6L L4 F/I	33-2098 ♦		Corsa A	1.4L L4 F/I - Exc., 82BHP	E-1070 ♦	
Vectra A	1.6L L4 F/I - 71/75BHP	33-2080 ♦		Corsa A	1.5L L4 DSL	33-2031-2	
Vectra A	1.7L L4 DSL - exc. Turbo	33-2080		Corsa A	1.6L L4 F/I - GSi	33-2547 ♦	
Vectra A	1.7L L4 DSL - Turbo	33-2031-2					
Vectra A	1.8L L4 F/I	33-2080 ♦		Kadett E	1.6L L4 F/I	E-1070	
Vectra A	2.0L L4 F/I - inc. 16v, 4WD, Turbo	33-2080 ♦		Kadett E	2.0L L4 F/I	33-2095 ♦	
Vectra A	2.5L V6 F/I	33-2080 ♦		Omega A	2.0L L4 F/I	33-2013 ♦	
<b>1993 OPEL</b>				Omega A	2.3L L4 DSL	33-2013	
Astra F	1.4L L4 F/I	33-2653-2 ♦		Omega A	2.6L V6 F/I	33-2013	
Astra F	1.6L L4 F/I	33-2653-2 ♦		Omega A	3.0L V6 F/I	33-2013	
Astra F	1.7L L4 DSL - 82BHP	33-2031-2		Omega A	3.6L V6 F/I	33-2013	
Astra F	1.7L L4 DSL - Exc., 82BHP	33-2653-2		Senator B	3.0L V6 F/I - 204BHP	33-2013	
Astra F	1.8L L4 F/I	33-2653-2 ♦		Senator B	3.0L V6 F/I - Exc., 204BHP	33-2675	
Astra F	2.0L L4 F/I	33-2653-2 ♦		Vectra A	1.6L L4 CARB - 82BHP	E-1070	
Calibra	2.0L L4 F/I	33-2080 ♦		Vectra A	1.6L L4 F/I - 71/75BHP	33-2080 ♦	
Calibra	2.5L V6 F/I	33-2080 ♦		Vectra A	1.8L L4 F/I	33-2080 ♦	
Corsa A	1.0L L4 F/I	E-2585		Vectra A	2.0L L4 F/I - inc. 16v, 4WD, Turbo	33-2080 ♦	
Corsa A	1.2L L4 F/I	E-1070		<b>1991 OPEL</b>			
Corsa A	1.4L L4 F/I - 82BHP	33-2547 ♦		Astra F	1.4L L4 F/I	33-2653-2 ♦	
Corsa A	1.4L L4 F/I - Exc., 82BHP	E-1070 ♦		Astra F	1.6L L4 F/I	33-2653-2 ♦	
Corsa A	1.5L L4 DSL	33-2031-2		Astra F	2.0L L4 F/I	33-2653-2 ♦	
Corsa A	1.6L L4 F/I - GSi	33-2547 ♦		Calibra	2.0L L4 F/I	33-2080 ♦	
		E-1070 ♦		Corsa A	1.2L L4 F/I	E-1070	
Corsa B	1.2L L4 F/I	33-2098 ♦		Corsa A	1.4L L4 F/I - 82BHP	33-2547 ♦	
Corsa B	1.4L L4 F/I	33-2098 ♦		Corsa A	1.4L L4 F/I - Exc., 82BHP	E-1070 ♦	
Corsa B	1.5L L4 DSL	33-2098		Corsa A	1.5L L4 DSL	33-2031-2	
Corsa B	1.6L L4 F/I	33-2098 ♦		Corsa A	1.6L L4 F/I - GSi	33-2547 ♦	
Frontera A	2.0L L4 F/I	33-2013 ♦					
Frontera A	2.3L L4 DSL	33-2013		Kadett E	1.3L L4 F/I	E-1070	
Kadett E	1.3L L4 F/I	E-1070		Kadett E	1.4L L4 F/I	E-1070	
Kadett E	1.6L L4 F/I	E-1070		Kadett E	1.5L L4 DSL	33-2031-2	
Kadett E	1.7L L4 DSL	33-2609		Kadett E	1.6L L4 F/I	E-1070	
Kadett E	2.0L L4 F/I	33-2095 ♦		Kadett E	1.7L L4 DSL	33-2609	
Monterey A	3.1L L4 DSL	38-9154		Kadett E	1.8L L4 F/I - 84BHP	E-1070 ♦	
Monterey A	3.2L V6 F/I	33-2064		Kadett E	1.8L L4 F/I - exc. 84BHP	33-2095 ♦	
Omega A	2.0L L4 F/I	33-2013 ♦		Kadett E	2.0L L4 F/I - 16v	33-2548-A ♦	
Omega A	2.4L L4 F/I	33-2013		Kadett E	2.0L L4 F/I - 8v	33-2095 ♦	
Omega A	2.6L V6 F/I	33-2013		Omega A	2.0L L4 F/I	33-2013 ♦	
Omega A	3.0L V6 F/I	33-2013		Omega A	2.4L L4 F/I	33-2013	
Senator B	2.6L V6 F/I	33-2013		Omega A	2.6L V6 F/I	33-2013	
Senator B	3.0L V6 F/I - 204BHP	33-2013		Omega A	3.0L V6 F/I	33-2013	
Senator B	3.0L V6 F/I - Exc., 204BHP	33-2675					
Vectra A	1.6L L4 CARB - 82BHP	E-1070					

\*Indicates 2 filters required      ♦ - Intake kit available      Applications updated daily at [knfilters.com](http://knfilters.com) ®

Partial Listing - Complete List of Vehicles and Applications at [knfilters.com](http://knfilters.com)

# OPEL

# AIR & OIL FILTERS

Vehicle	Engine Type	Air Filter	Oil Filter	Vehicle	Engine Type	Air Filter	Oil Filter
<b>1991 OPEL</b>				<b>1989 OPEL</b>			
Omega A	3.6L V6 F/I	33-2013		Vectra A	1.6L L4 F/I - 71/75BHP	33-2080 ♦	
Senator B	3.0L V6 F/I - 204BHP	33-2013		Vectra A	1.8L L4 CARB	E-1070	
Senator B	3.0L V6 F/I - Exc., 204BHP	33-2675		Vectra A	1.8L L4 F/I	33-2080 ♦	
Vectra A	1.4L L4 CARB	E-1070		Vectra A	2.0L L4 F/I - Exc., 100BHP	33-2080 ♦	
Vectra A	1.6L L4 CARB - 82BHP	E-1070		<b>1988 OPEL</b>			
Vectra A	1.6L L4 F/I - 71/75BHP	33-2080 ♦		Ascona C	1.6L L4 CARB	E-1070	
Vectra A	1.8L L4 F/I	33-2080 ♦		Ascona C	1.6L L4 DSL	33-2504	
Vectra A	2.0L L4 F/I - inc. 16v, 4WD, Turbo	33-2080 ♦		Ascona C	1.6L L4 F/I	E-1070	
<b>1990 OPEL</b>				Ascona C	1.8L L4 F/I - 84BHP	E-1070 ♦	
Calibra	2.0L L4 F/I	33-2080 ♦		Ascona C	2.0L L4 F/I	33-2500	
Corsa A	1.2L L4 F/I	E-1070		Corsa A	1.2L L4 F/I - 229x178 mm	E-2585	
Corsa A	1.3L L4 F/I - 60/70BHP	E-1070		Corsa A	1.2L L4 F/I - 254x203 mm	E-1070	
Corsa A	1.4L L4 F/I	E-1070		Corsa A	1.3L L4 F/I - 60/70BHP	E-1070	
Corsa A	1.5L L4 DSL	33-2031-2		Corsa A	1.4L L4 F/I	E-1070	
Corsa A	1.6L L4 F/I - GSi	33-2547 ♦		Corsa A	1.6L L4 F/I - GSi	33-2547 ♦	
		E-1070 ♦				E-1070 ♦	
Kadett E	1.3L L4 F/I	E-1070		Kadett E	1.3L L4 F/I	E-1070	
Kadett E	1.4L L4 F/I	E-1070		Kadett E	1.6L L4 DSL	33-2504	
Kadett E	1.5L L4 DSL	33-2031-2		Kadett E	1.6L L4 F/I	E-1070	
Kadett E	1.6L L4 F/I	E-1070		Kadett E	1.8L L4 F/I - 84BHP	E-1070 ♦	
Kadett E	1.7L L4 DSL	33-2609		Kadett E	1.8L L4 F/I - exc. 84BHP	33-2548-A ♦	
Kadett E	1.8L L4 F/I - 84BHP	E-1070 ♦					
Kadett E	1.8L L4 F/I - from 9/90, exc. 84BHP	33-2095 ♦		Kadett E	2.0L L4 F/I - 16v	33-2548-A ♦	
Kadett E	1.8L L4 F/I - to 8/90, exc. 84BHP	33-2548-A ♦		Kadett E	2.0L L4 F/I - 8v	33-2095 ♦	
Kadett E	2.0L L4 F/I - 16v	33-2548-A ♦		Manta B	2.0L L4 F/I - 110BHP	33-2001 ♦	
Kadett E	2.0L L4 F/I - 8v	33-2095 ♦		Omega A	2.0L L4 F/I	33-2013 ♦	
Omega A	2.0L L4 F/I	33-2013 ♦		Omega A	3.0L V6 F/I	33-2013 ♦	
Omega A	2.4L L4 F/I	33-2013		Senator B	3.0L V6 F/I	33-2675	
Omega A	3.0L V6 F/I	33-2013 ♦		<b>1987 OPEL</b>			
Omega A	3.6L V6 F/I	33-2013		Ascona C	1.6L L4 CARB	E-1070	
Senator B	3.0L V6 F/I - 204BHP	33-2013		Ascona C	1.6L L4 F/I	E-1070	
Senator B	3.0L V6 F/I - Exc., 204BHP	33-2675		Kadett E	1.3L L4 F/I	E-1070	
Vectra A	1.6L L4 CARB - 82BHP	E-1070		Kadett E	1.6L L4 F/I	E-1070	
Vectra A	1.6L L4 F/I - 71/75BHP	33-2080 ♦		Kadett E	2.0L L4 F/I	33-2095 ♦	
Vectra A	1.8L L4 F/I	33-2080 ♦		Manta B	1.8L L4 CARB	33-2515	
Vectra A	2.0L L4 F/I - inc. 16v, 4WD, Turbo	33-2080 ♦		Manta B	2.0L L4 F/I - 110BHP	33-2001 ♦	
<b>1989 OPEL</b>				<b>1986 OPEL</b>			
Corsa A	1.2L L4 F/I - 229x178 mm	E-2585		Ascona C	1.6L L4 CARB	E-1070	
Corsa A	1.2L L4 F/I - 254x203 mm	E-1070		Ascona C	1.6L L4 F/I	E-1070	
Corsa A	1.3L L4 F/I - 60/70BHP	E-1070		Ascona C	1.8L L4 F/I - 100/115BHP	33-2500 ♦	
Corsa A	1.4L L4 F/I	E-1070		Ascona C	1.8L L4 F/I - 84BHP	E-1070 ♦	
Corsa A	1.5L L4 DSL	33-2031-2		Corsa A	1.2L L4 F/I - 229x178 mm	E-2585	
Corsa A	1.6L L4 F/I - GSi	33-2547 ♦		Corsa A	1.2L L4 F/I - 254x203 mm	E-1070	
		E-1070 ♦		Kadett E	1.3L L4 F/I	E-1070	
Kadett E	1.3L L4 F/I	E-1070		Kadett E	1.6L L4 DSL	33-2504	
Kadett E	1.5L L4 DSL	33-2031-2		Kadett E	1.6L L4 F/I	E-1070	
Kadett E	1.6L L4 DSL	33-2504		Kadett E	1.8L L4 F/I	33-2548-A ♦	
Kadett E	1.6L L4 F/I	E-1070		Manta B	1.8L L4 CARB	33-2515	
Kadett E	1.8L L4 F/I - 84BHP	E-1070 ♦		Manta B	2.0L L4 F/I - 110BHP	33-2001 ♦	
Kadett E	1.8L L4 F/I - exc. 84BHP	33-2548-A ♦		Monza	2.5L L4 F/I	33-2512	
Kadett E	2.0L L4 F/I - 16v	33-2548-A ♦		Monza	3.0L V6 F/I	33-2512	
Kadett E	2.0L L4 F/I - 8v	33-2095 ♦		Rekord E	1.8L L4 CARB - 75BHP	33-2515	
Omega A	2.0L L4 F/I	33-2013 ♦		Rekord E	2.0L L4 CARB	E-2830	
Omega A	3.0L V6 F/I	33-2013 ♦		Senator A	3.0L V6 F/I - 180BHP	33-2512	
Senator B	3.0L V6 F/I - 204BHP	33-2013		<b>1985 OPEL</b>			
Senator B	3.0L V6 F/I - Exc., 204BHP	33-2675		Ascona C	1.6L L4 CARB	E-1070	
Vectra A	1.6L L4 CARB - 82BHP	E-1070		Ascona C	1.6L L4 F/I	E-1070	
				Manta B	1.8L L4 CARB	33-2515	
				Manta B	2.0L L4 F/I - 110BHP	33-2001 ♦	

\*Indicates 2 filters required      ♦ - Intake kit available      Applications updated daily at [knfilters.com](http://knfilters.com) ®

# AIR & OIL FILTERS

# OPEL

Vehicle	Engine Type	Air Filter	Oil Filter
<b>1985 OPEL</b>			
Rekord E	1.8L L4 CARB - 75BHP, to 5/85, 90BHP	33-2515	
Rekord E	2.0L L4 CARB	E-2830	
Senator A	3.0L V6 F/I - 180BHP	33-2512	
<b>1984 OPEL</b>			
Ascona C	1.3L L4 CARB - 75BHP	E-1070	
Ascona C	1.6L L4 CARB	E-1070	
Ascona C	1.6L L4 F/I	E-1070	
Kadett D	1.2L L4 CARB	E-1070	
Kadett D	1.3L L4 CARB - 60BHP	E-2585	
Kadett D	1.3L L4 CARB - 75BHP	E-1070	
Kadett D	1.8L L4 F/I	33-2500 ♦	
Kadett E	1.3L L4 F/I - 75BHP	E-1070	
Manta B	1.8L L4 CARB	33-2515	
Manta B	2.0L L4 F/I - 100BHP	E-2830 ♦	
Monza	3.0L V6 F/I	33-2512	
<b>1983 OPEL</b>			
Kadett D	1.3L L4 CARB - 60BHP	E-2585	
Manta B	1.8L L4 CARB	33-2515	
Manta B	2.0L L4 F/I - 100BHP	E-2830 ♦	
Manta B	2.0L L4 F/I - 110BHP	33-2001 ♦	
Monza	3.0L V6 F/I	33-2512	
Rekord E	1.8L L4 CARB	33-2515	
<b>1982 OPEL</b>			
Kadett D	1.3L L4 CARB - 60BHP	E-2585	
Manta B	1.8L L4 CARB	33-2515	
Manta B	2.0L L4 F/I - 100BHP	E-2830 ♦	
Manta B	2.0L L4 F/I - 110BHP	33-2001 ♦	
<b>1981 OPEL</b>			
Ascona B	2.0L L4 CARB - 90/100BHP	E-2830	
Ascona B	2.0L L4 F/I - 110BHP	33-2001	
Kadett D	1.3L L4 CARB - 60BHP	E-2585	
<b>1980 OPEL</b>			
Ascona B	2.0L L4 CARB - 90/100BHP	E-2830	
<b>1979 OPEL</b>			
Ascona B	2.0L L4 CARB - 90/100BHP	E-2830	
Ascona B	2.0L L4 F/I - 110BHP	33-2001	
Kadett C	1.2L L4 CARB	E-2585	
Kadett C	2.0L L4 F/I	33-2001	
Manta B	2.0L L4 CARB - 110BHP	33-2001	
Manta B	2.0L L4 CARB - 90/100BHP	E-2830	
<b>1978 OPEL</b>			
Kadett C	1.2L L4 CARB	E-2585	
Kadett C	2.0L L4 F/I	33-2001	
Manta B	2.0L L4 CARB - 90/100BHP	E-2830	
Rekord E	2.0L L4 CARB	E-2830	
<b>1977 OPEL</b>			
Kadett C	1.2L L4 CARB	E-2585	
<b>1975 OPEL</b>			
Kadett C	1.2L L4 CARB	E-2585	
Manta	1.9L L4 CARB - w/Round Filter	E-1068	
<b>1974 OPEL</b>			
Manta A	1.9L L4 CARB - Exc., 105BHP	E-1070	

Vehicle	Engine Type	Air Filter	Oil Filter
<b>1973 OPEL</b>			
GT	1.9L L4 F/I	E-2340	HP-1002
Manta	1.9L L4 CARB	E-2780	HP-1002
Manta A	1.9L L4 CARB	E-1070	
<b>1972 OPEL</b>			
GT	1.9L L4 F/I	E-2340	HP-1002
<b>1971 OPEL</b>			
GT	1.9L L4 F/I	E-2340	HP-1002
<b>1970 OPEL</b>			
GT	1.9L L4 F/I	E-2340	
Kadett	1.1L L4 CARB	E-1068	HP-1002
<b>1969 OPEL</b>			
GT	1.9L L4 F/I	E-2340	HP-1002
<b>2006 PERODUA</b>			
Myvi	1.3L L4 F/I	33-2922	
<b>2002 PERODUA</b>			
807	2.0L L4 F/I - 138BHP, 16v, DOHC	33-2539	
Kenari-1902	1.0L L4 - EJ-DE	33-2836	
<b>2001 PERODUA</b>			
Kenari-1902	1.0L L4 - EJ-DE	33-2836	
<b>2000 PERODUA</b>			
Kenari-1902	1.0L L4 - EJ-DE	33-2836	
<b>1999 PERODUA</b>			
Kenari-1902	1.0L L4 - EJ-DE	33-2836	
<b>1998 PERODUA</b>			
Kenari-1902	1.0L L4 - EJ-DE	33-2836	
<b>1997 PERODUA</b>			
Kenari-1902	1.0L L4 - EJ-DE	33-2836	
<b>2002 PETERBILT</b>			
270	5.9L L6 DSL		FF-1261
<b>2001 PETERBILT</b>			
270	5.9L L6 DSL		FF-1261
<b>2000 PETERBILT</b>			
200	5.9L L6 DSL		FF-1261
<b>1999 PETERBILT</b>			
200	5.9L L6 DSL		FF-1261
<b>2011 PEUGEOT</b>			
107	1.0L L3 F/I	33-2131 ♦	
206	1.4L L4 F/I	33-2916	
206	1.6L L4 F/I	33-2937	
207	1.4L L4 F/I	33-2941 ♦	
207	1.6L L4 F/I - 109BHP	33-2844 ♦	
207	1.6L L4 F/I - 120BHP	33-2941 ♦	
207 Turbo	1.6L L4 F/I	33-2936 ♦	
508	1.6L L4 F/I - exc. Turbo	33-2941	
508	1.6L L4 F/I - Turbo	33-2936	
807	2.0L L4 DSL	33-2626	
807	2.2L L4 DSL	33-2626	
3008	1.6L L4 F/I - exc. Turbo	33-2941 ♦	
3008	1.6L L4 F/I - Turbo	33-2936 ♦	
4007	2.2L L4 DSL	33-2392	
4007	2.4L L4 F/I	33-2392	
5008	1.6L L4 F/I - exc. Turbo	33-2941	
5008	1.6L L4 F/I - Turbo	33-2936	
Bipper	1.4L L4 DSL	33-2840	
Bipper	1.4L L4 F/I	33-2299	

\*Indicates 2 filters required

♦ - Intake kit available

Applications updated daily at [knfilters.com](http://knfilters.com) ®

Partial Listing - Complete List of Vehicles and Applications at [knfilters.com](http://knfilters.com)

# PEUGEOT

# AIR & OIL FILTERS

Vehicle	Engine Type	Air Filter	Oil Filter	Vehicle	Engine Type	Air Filter	Oil Filter
<b>2011 PEUGEOT</b>				<b>2009 PEUGEOT</b>			
Boxer	2.2L L4 DSL	E-9283		308	1.6L L4 F/I - Turbo	33-2936 ♦	
Boxer	2.8L L4 DSL	E-9283		407	1.6L L4 DSL	33-2929 ♦	
Boxer	3.0L V6 DSL	E-9283		407	1.8L L4 F/I	33-2911	
Expert	1.6L L4 DSL	33-2929		407	2.0L L4 DSL	33-2928	
Expert	2.0L L4 DSL	33-2626		407	2.0L L4 F/I	33-2911	
Expert	2.0L L4 F/I	33-2626		407	2.2L L4 F/I	33-2911	
Partner	1.6L L4 F/I	33-2941		407	3.0L V6 F/I	33-2911	
RC-Z	1.6L L4 F/I	33-2936		807	2.0L L4 DSL	33-2626	
<b>2010 PEUGEOT</b>				<b>2008 PEUGEOT</b>			
107	1.0L L3 F/I	33-2131 ♦		107	1.0L L3 F/I	33-2131 ♦	
206	1.4L L4 F/I	33-2916		107	1.4L L4 DSL	33-2840	
206	1.6L L4 F/I	33-2916		125 Geo RS	125		KN-185
		33-2937		125 Geopolis	125		KN-185
207	1.4L L4 F/I - 95BHP	33-2941 ♦		125 Sat RS	125		KN-185
207	1.6L L4 F/I - 109BHP	33-2844 ♦		125 Satelis	125		KN-185
207	1.6L L4 F/I - 120BHP	33-2941 ♦		206	1.4L L4 DSL	33-2840	
207 Turbo	1.6L L4 F/I	33-2936 ♦		206	1.4L L4 F/I - 16v	33-2916	
308	1.6L L4 DSL	33-2847 ♦		206	1.4L L4 F/I - 8v	33-2813	
308	1.6L L4 F/I - exc. Turbo	33-2941 ♦		206	1.6L L4 DSL	33-2847	
308	1.6L L4 F/I - Turbo	33-2936 ♦		206	1.6L L4 F/I	33-2937	
407	2.2L L4 DSL	33-2392		206	1.6L L4 F/I	33-2937	
407	2.4L L4 F/I	33-2392		207	1.4L L4 DSL	33-2840	
508	1.6L L4 F/I - exc. Turbo	33-2941		207	1.4L L4 F/I - 95BHP	33-2941 ♦	
508	1.6L L4 F/I - Turbo	33-2936		207	1.4L L4 F/I - Exc., 95BHP	33-2844 ♦	
807	2.0L L4 DSL	33-2626		207	1.6L L4 DSL	33-2847 ♦	
807	2.2L L4 DSL	33-2626		207	1.6L L4 F/I - 109BHP	33-2844 ♦	
3008	1.6L L4 DSL	33-2847		207	1.6L L4 F/I - 120BHP	33-2941 ♦	
3008	1.6L L4 F/I - exc. Turbo	33-2941 ♦		207 Turbo	1.6L L4 F/I	33-2936 ♦	
3008	1.6L L4 F/I - Turbo	33-2936 ♦		307	1.6L L4 F/I	33-2937 ♦	
4007	2.2L L4 DSL	33-2392		308	1.4L L4 F/I	33-2941 ♦	
4007	2.4L L4 F/I	33-2392		308	1.6L L4 DSL	33-2847 ♦	
5008	1.6L L4 F/I - exc. Turbo	33-2941		308	1.6L L4 F/I - exc. Turbo	33-2941 ♦	
5008	1.6L L4 F/I - Turbo	33-2936		308	1.6L L4 F/I - Turbo	33-2936 ♦	
Bipper	1.4L L4 DSL	33-2840		308	1.6L L4 DSL	33-2847 ♦	
Bipper	1.4L L4 F/I	33-2299		407	1.6L L4 F/I	33-2929 ♦	
Boxer	2.2L L4 DSL	E-9283		407	1.8L L4 F/I	33-2911	
Boxer	2.8L L4 DSL	E-9283		407	2.0L L4 DSL	33-2928	
Boxer	3.0L V6 DSL	E-9283		407	2.0L L4 F/I	33-2911	
Expert	1.6L L4 DSL	33-2929		407	2.2L L4 F/I	33-2911	
Expert	2.0L L4 DSL	33-2626		407	3.0L V6 F/I	33-2911	
Expert	2.0L L4 F/I	33-2626		807	2.0L L4 DSL	33-2626	
Partner	1.6L L4 DSL	33-2847		807	2.0L L4 F/I	33-2539	
Partner	1.6L L4 F/I - 110BHP	33-2937					
Partner	1.6L L4 F/I - 120BHP	33-2941					
RC-Z	1.6L L4 F/I	33-2936					
<b>2009 PEUGEOT</b>							
107	1.0L L3 F/I	33-2131 ♦					
125 Geo RS	125		KN-185				
125 Geopolis	125		KN-185				
125 Sat RS	125		KN-185				
125 Satelis	125		KN-185				
206	1.1L L4 F/I	33-2916					
206	1.4L L4 DSL	33-2840					
206	1.4L L4 F/I	33-2916					
206	1.6L L4 F/I	33-2937					
207	1.4L L4 DSL	33-2840					
207	1.4L L4 F/I - 95BHP	33-2941 ♦					
207	1.6L L4 F/I - 109BHP	33-2844 ♦					
207	1.6L L4 F/I - 120BHP	33-2941 ♦					
207 Turbo	1.6L L4 F/I	33-2936 ♦					
307	1.6L L4 F/I - 110BHP	33-2937 ♦					
308	1.6L L4 DSL	33-2847 ♦					
308	1.6L L4 F/I - exc. Turbo	33-2941 ♦					

\*Indicates 2 filters required

♦ - Intake kit available

Applications updated daily at [knfilters.com](http://knfilters.com) ®

# AIR & OIL FILTERS

# PEUGEOT

Vehicle	Engine Type	Air Filter	Oil Filter	Vehicle	Engine Type	Air Filter	Oil Filter
<b>2008 PEUGEOT</b>				<b>2007 PEUGEOT</b>			
807	2.2L L4 DSL	33-2626		1007	1.6L L4 F/I	33-2844	
807	3.0L V6 F/I	33-2539		4007	2.2L L4 DSL	33-2392	
1007	1.4L L4 DSL	33-2840		Boxer	2.2L L4 DSL	E-9283	
1007	1.4L L4 F/I	33-2844		Boxer	2.8L L4 DSL	E-9283	
1007	1.6L L4 F/I	33-2844		Boxer	3.0L V6 DSL	E-9283	
4007	2.2L L4 DSL	33-2392		Expert	1.6L L4 DSL	33-2929	
4007	2.4L L4 F/I	33-2392		Expert	2.0L L4 DSL	33-2626	
Bipper	1.4L L4 DSL	33-2840		Expert	2.0L L4 F/I	33-2626	
Boxer	2.2L L4 DSL	E-9283		Partner	1.4L L4 F/I	33-2844	
Boxer	2.8L L4 DSL	E-9283		Partner	1.6L L4 DSL	33-2847 ♦	
Boxer	3.0L V6 DSL	E-9283		Partner	1.6L L4 F/I	33-2844 ♦	
Expert	1.6L L4 DSL	33-2929		<b>2006 PEUGEOT</b>			
Expert	2.0L L4 DSL	33-2626		107	1.0L L3 F/I	33-2131 ♦	
Expert	2.0L L4 F/I	33-2626		107	1.4L L4 DSL	33-2840	
Partner	1.4L L4 F/I	33-2844		125 Sat RS	125		KN-185
Partner	1.6L L4 DSL	33-2847 ♦		125 Satelis	125		KN-185
Partner	1.6L L4 F/I	33-2937 ♦		206	1.1L L4 F/I	33-2813 ♦	
<b>2007 PEUGEOT</b>				206	1.4L L4 DSL	33-2840	
107	1.0L L3 F/I	33-2131 ♦		206	1.4L L4 F/I - 16v	33-2916 ♦	
107	1.4L L4 DSL	33-2840		206	1.4L L4 F/I - 8v	33-2813 ♦	
125 Geo RS	125		KN-185	206	1.6L L4 DSL	33-2847 ♦	
125 Geopolis	125		KN-185	206	1.6L L4 F/I	33-2937 ♦	
125 Sat RS	125		KN-185	206	2.0L L4 DSL	33-2813 ♦	
125 Satelis	125		KN-185	206	2.0L L4 F/I	33-2813	
206	1.4L L4 DSL	33-2840		206 RC	2.0L L4 F/I	33-2510	
206	1.4L L4 F/I - 16v	33-2916		207	1.4L L4 DSL	33-2840	
206	1.4L L4 F/I - 8v	33-2813		207	1.4L L4 F/I	33-2844 ♦	
206	1.6L L4 DSL	33-2847		207	1.6L L4 DSL	33-2847 ♦	
206	1.6L L4 F/I	33-2937 ♦		207	1.6L L4 F/I	33-2844 ♦	
206	2.0L L4 DSL	33-2813		307	1.4L L4 DSL - 16v	33-2847	
207	1.4L L4 DSL	33-2840		307	1.4L L4 DSL - 8v	33-2840	
207	1.4L L4 F/I - 95BHP	33-2941 ♦		307	1.4L L4 F/I - 16v	33-2916	
207	1.4L L4 F/I - Exc., 95BHP	33-2844 ♦		307	1.4L L4 F/I - 8v	33-2245	
207	1.6L L4 DSL	33-2847 ♦		307	1.6L L4 DSL	33-2847	
207	1.6L L4 F/I - 109BHP	33-2844 ♦		307	1.6L L4 F/I	33-2937 ♦	
207	1.6L L4 F/I - 120BHP	33-2941 ♦		307	2.0L L4 DSL	33-2245 ♦	
207 Turbo	1.6L L4 F/I	33-2936 ♦		307	2.0L L4 F/I	33-2957 ♦	
307	1.4L L4 DSL - 16v	33-2847		407	1.6L L4 DSL	33-2929 ♦	
307	1.4L L4 DSL - 8v	33-2840		407	1.8L L4 F/I	33-2911	
307	1.4L L4 F/I - 16v	33-2916		407	2.0L L4 DSL	33-2928 ♦	
307	1.4L L4 F/I - 8v	33-2245		407	2.0L L4 F/I	33-2911	
307	1.6L L4 DSL	33-2847		407	2.2L L4 F/I	33-2911	
307	1.6L L4 F/I	33-2937 ♦		407	3.0L V6 F/I	33-2911	
307	2.0L L4 DSL	33-2245		807	2.0L L4 DSL - from 7/06	33-2626	
307	2.0L L4 F/I	33-2957 ♦		807	2.0L L4 DSL - to 6/06	33-2539	
308	1.4L L4 F/I	33-2941 ♦		807	2.0L L4 F/I	33-2539	
308	1.6L L4 DSL	33-2847 ♦		807	2.2L L4 DSL	33-2539	
308	1.6L L4 F/I - exc. Turbo	33-2941 ♦		807	2.2L L4 F/I	33-2539	
308	1.6L L4 F/I - Turbo	33-2936 ♦		807	3.0L V6 F/I	33-2539	
407	1.6L L4 DSL	33-2929 ♦		1007	1.4L L4 DSL	33-2840	
407	1.8L L4 F/I	33-2911		1007	1.4L L4 F/I	33-2844	
407	2.0L L4 DSL	33-2928 ♦		1007	1.6L L4 F/I	33-2844	
407	2.0L L4 F/I	33-2911		Boxer	2.0L L4 DSL	E-9231-1	
407	2.2L L4 F/I	33-2911		Boxer	2.0L L4 F/I	E-9231-1	
407	3.0L V6 F/I	33-2911		Boxer	2.2L L4 DSL	E-9283	
807	2.0L L4 DSL	33-2626		Boxer	2.8L L4 DSL	E-9283	
807	2.0L L4 F/I	33-2539		Boxer	3.0L V6 DSL	E-9283	
807	2.2L L4 DSL - from 10/07	33-2626		Expert	2.0L L4 DSL	33-2539	
807	2.2L L4 DSL - to 9/07	33-2539		Partner	1.4L L4 F/I	33-2844	
807	3.0L V6 F/I	33-2539		Partner	1.6L L4 DSL	33-2847 ♦	
1007	1.4L L4 DSL	33-2840		Partner	1.6L L4 F/I	33-2844 ♦	
1007	1.4L L4 F/I	33-2844					

\*Indicates 2 filters required      ♦ - Intake kit available      Applications updated daily at [knfilters.com](http://knfilters.com) ®

**Partial Listing - Complete List of Vehicles and Applications at [knfilters.com](http://knfilters.com)**

# PEUGEOT

# AIR & OIL FILTERS

Vehicle	Engine Type	Air Filter	Oil Filter	Vehicle	Engine Type	Air Filter	Oil Filter
<b>2005 PEUGEOT</b>				<b>2004 PEUGEOT</b>			
107	1.0L L3 F/I	33-2131 ♦		206	2.0L L4 F/I	33-2813 ♦	
107	1.4L L4 DSL	33-2840		206 RC	2.0L L4 F/I	33-2510 ♦	
206	1.1L L4 F/I	33-2813 ♦		307	1.4L L4 DSL - 16v	33-2847	
206	1.4L L4 DSL	33-2840		307	1.4L L4 DSL - 8v	33-2840	
206	1.4L L4 F/I - 16v	33-2916 ♦		307	1.4L L4 F/I - 16v	33-2916	
206	1.4L L4 F/I - 8v	33-2813 ♦		307	1.4L L4 F/I - 8v	33-2245	
206	1.6L L4 DSL	33-2847 ♦		307	1.6L L4 DSL	33-2847	
206	1.6L L4 F/I	33-2937 ♦		307	1.6L L4 F/I	33-2245 ♦	
206	2.0L L4 DSL	33-2813 ♦		307	2.0L L4 DSL	33-2245 ♦	
206	2.0L L4 F/I	33-2813 ♦		307	2.0L L4 F/I	33-2245 ♦	
206 RC	2.0L L4 F/I	33-2510 ♦		406	1.6L L4 F/I	33-2673	
307	1.4L L4 DSL - 16v	33-2847		406	1.8L L4 F/I	33-2226	
307	1.4L L4 DSL - 8v	33-2840		406	1.9L L4 DSL	33-2539	
307	1.4L L4 F/I - 16v	33-2916		406	2.0L L4 DSL	33-2539	
307	1.4L L4 F/I - 8v	33-2245		406	2.0L L4 F/I - exc. Turbo	33-2226	
307	1.6L L4 DSL	33-2847		406	2.0L L4 F/I - Turbo	33-2539	
307	1.6L L4 F/I - from 10/05	33-2937 ♦		406	2.1L L4 DSL	33-2539	
307	1.6L L4 F/I - to 9/05	33-2245 ♦		406	2.2L L4 DSL	33-2226	
307	2.0L L4 DSL	33-2245 ♦		406	2.2L L4 F/I	33-2226	
307	2.0L L4 F/I - from 5/05	33-2957 ♦		406	3.0L V6 F/I - 190BHP	33-2539	
307	2.0L L4 F/I - to 4/05	33-2245 ♦		406	3.0L V6 F/I - 207BHP	33-2226	
407	1.6L L4 DSL	33-2929 ♦		407	1.6L L4 DSL	33-2929	
407	1.8L L4 F/I	33-2911		407	1.8L L4 F/I	33-2911	
407	2.0L L4 DSL	33-2928 ♦		407	2.0L L4 DSL	33-2928 ♦	
407	2.0L L4 F/I	33-2911		407	2.0L L4 F/I	33-2911	
407	2.2L L4 F/I	33-2911		407	2.2L L4 F/I	33-2911	
407	3.0L V6 F/I	33-2911		407	3.0L V6 F/I	33-2911	
607	2.0L L4 DSL	33-2539		607	2.0L L4 DSL	33-2539	
607	2.0L L4 F/I	33-2539		607	2.0L L4 F/I	33-2539	
607	2.2L L4 DSL	33-2539		607	2.2L L4 DSL	33-2539	
607	2.2L L4 F/I	33-2539		607	2.2L L4 F/I	33-2539	
607	3.0L L4 F/I	33-2539		607	3.0L L4 F/I	33-2539	
807	2.0L L4 DSL	33-2539		807	2.0L L4 DSL	33-2539	
807	2.0L L4 F/I	33-2539		807	2.0L L4 F/I	33-2539	
807	2.2L L4 DSL	33-2539		807	2.2L L4 DSL	33-2539	
807	2.2L L4 F/I	33-2539		807	2.2L L4 F/I	33-2539	
807	3.0L V6 F/I	33-2539		807	3.0L V6 F/I	33-2539	
1007	1.4L L4 DSL	33-2840		Boxer	2.0L L4 DSL	E-9231-1	
1007	1.4L L4 F/I	33-2844		Boxer	2.0L L4 F/I	E-9231-1	
1007	1.6L L4 F/I	33-2844		Boxer	2.2L L4 DSL	E-9231-1	
Boxer	2.0L L4 DSL	E-9231-1		Boxer	2.8L L4 DSL	E-9231-1	
Boxer	2.0L L4 F/I	E-9231-1		Expert	1.6L L4 F/I	33-2539	
Boxer	2.2L L4 DSL	E-9231-1		Expert	1.9L L4 DSL	33-2539	
Boxer	2.8L L4 DSL	E-9231-1		Expert	2.0L L4 DSL	33-2539	
Expert	1.6L L4 F/I	33-2539		Expert	2.0L L4 F/I	33-2539	
Expert	1.9L L4 DSL	33-2539		Partner	1.4L L4 F/I	33-2844	
Expert	2.0L L4 DSL	33-2539		Partner	1.6L L4 F/I	33-2844 ♦	
Expert	2.0L L4 F/I	33-2539		Partner	2.0L L4 DSL	33-2813	
Partner	1.4L L4 F/I	33-2844		Xsara	1.4L L4 F/I - 8v, 2 lambda sensors	33-2813	
Partner	1.6L L4 F/I	33-2844 ♦		<b>2003 PEUGEOT</b>			
Partner	2.0L L4 DSL	33-2813		106 II	1.0L L4 CARB	E-9121	
<b>2004 PEUGEOT</b>				106 II	1.1L L4 F/I - 54BHP	E-9121 ♦	
125 Elyseo	125		KN-185	106 II	1.4L L4 F/I	E-9183 ♦	
125 Elystar	125		KN-185	106 II	1.5L L4 DSL	E-9249	
125 Jet Force	125		KN-185	106 II	1.6L L4 F/I - 16v	33-2772 ♦	
150 Elystar	150		KN-185	106 II	1.6L L4 F/I - 8v	E-9183 ♦	
206	1.1L L4 F/I	33-2813 ♦		125 Elyseo	125		KN-185
206	1.4L L4 DSL	33-2840		125 Elystar	125		KN-185
206	1.4L L4 F/I - 16v	33-2916 ♦		125 Jet Force	125		KN-185
206	1.4L L4 F/I - 8v	33-2813 ♦		150 Elyseo	150		KN-185
206	1.6L L4 DSL	33-2847 ♦		150 Elystar	150		KN-185
206	1.6L L4 F/I	33-2813 ♦		206	1.1L L4 F/I	33-2813 ♦	
206	2.0L L4 DSL	33-2813 ♦		206	1.4L L4 DSL	33-2840	

\*Indicates 2 filters required

♦ - Intake kit available

Applications updated daily at [knfilters.com](http://knfilters.com) ®

# AIR & OIL FILTERS

# PEUGEOT

Vehicle	Engine Type	Air Filter	Oil Filter	Vehicle	Engine Type	Air Filter	Oil Filter
<b>2003 PEUGEOT</b>				<b>2002 PEUGEOT</b>			
206	1.4L L4 F/I - 16v	33-2916 ♦		306	1.8L L4 F/I - 16v	33-2781 ♦	
206	1.4L L4 F/I - 8v	33-2813 ♦		306	1.8L L4 F/I - 8v	33-2673 ♦	
206	1.6L L4 F/I	33-2813 ♦		306	2.0L L4 F/I - 121BHP	33-2673 ♦	
206	2.0L L4 DSL	33-2813 ♦		306	2.0L L4 F/I - 132BHP	33-2781 ♦	
206	2.0L L4 F/I	33-2813 ♦		307	1.4L L4 F/I	33-2245 ♦	
206 RC	2.0L L4 F/I	33-2510 ♦		307	1.6L L4 F/I	33-2245 ♦	
307	1.4L L4 DSL - 16v	33-2847		307	2.0L L4 DSL	33-2245 ♦	
307	1.4L L4 DSL - 8v	33-2840		307	2.0L L4 F/I	33-2245 ♦	
307	1.4L L4 F/I - 16v	33-2916 ♦		406	1.6L L4 F/I	33-2673	
307	1.4L L4 F/I - 8v	33-2245 ♦		406	1.8L L4 F/I	33-2226	
307	1.6L L4 F/I	33-2245 ♦		406	1.9L L4 DSL	33-2539	
307	2.0L L4 DSL	33-2245 ♦		406	2.0L L4 DSL	33-2539	
307	2.0L L4 F/I	33-2245 ♦		406	2.0L L4 F/I - exc. Turbo	33-2226	
406	1.6L L4 F/I	33-2673		406	2.0L L4 F/I - Turbo	33-2539	
406	1.8L L4 F/I	33-2226		406	2.1L L4 DSL	33-2539	
406	1.9L L4 DSL	33-2539		406	2.2L L4 DSL	33-2226	
406	2.0L L4 DSL	33-2539		406	2.2L L4 F/I	33-2226	
406	2.0L L4 F/I - exc. Turbo	33-2226		406	3.0L V6 F/I - 190BHP	33-2539	
406	2.0L L4 F/I - Turbo	33-2539		406	3.0L V6 F/I - 207BHP	33-2226	
406	2.1L L4 DSL	33-2539		607	2.0L L4 DSL	33-2539	
406	2.2L L4 DSL	33-2226		607	2.0L L4 F/I	33-2539	
406	2.2L L4 F/I	33-2226		607	2.2L L4 DSL	33-2539	
406	3.0L V6 F/I - 190BHP	33-2539		607	2.2L L4 F/I	33-2539	
406	3.0L V6 F/I - 207BHP	33-2226		607	3.0L L4 F/I	33-2539	
607	2.0L L4 DSL	33-2539		607	1.8L L4 F/I	33-2539	
607	2.0L L4 F/I	33-2539		607	1.9L L4 DSL	33-2539	
607	2.2L L4 DSL	33-2539		607	2.0L L4 DSL	33-2539	
607	2.2L L4 F/I	33-2539		607	2.0L L4 F/I	33-2539	
607	3.0L L4 F/I	33-2539		607	2.0L L4 DSL	33-2539	
807	2.0L L4 DSL	33-2539		807	2.0L L4 F/I	33-2539	
807	2.0L L4 F/I	33-2539		807	2.2L L4 DSL	33-2539	
807	2.2L L4 DSL	33-2539		807	2.2L L4 F/I	33-2539	
807	2.2L L4 F/I	33-2539		807	3.0L V6 F/I	33-2539	
807	3.0L V6 F/I	33-2539		Boxer	1.9L L4 DSL - Non-Turbo	E-9033	
Boxer	1.9L L4 DSL - Non-Turbo	E-9033		Boxer	1.9L L4 DSL - Turbo	E-9231-1	
Boxer	2.0L L4 DSL	E-9231-1		Boxer	2.0L L4 DSL	E-9231-1	
Boxer	2.0L L4 F/I	E-9231-1		Boxer	2.0L L4 F/I	E-9231-1	
Boxer	2.2L L4 DSL	E-9231-1		Boxer	2.2L L4 DSL	E-9231-1	
Boxer	2.8L L4 DSL	E-9231-1		Boxer	2.5L L4 DSL - Non-Turbo	E-9033	
Expert	1.6L L4 F/I	33-2539		Boxer	2.5L L4 DSL - Turbo	E-9231-1	
Expert	1.9L L4 DSL	33-2539		Boxer	2.8L L4 DSL	E-9231-1	
Expert	2.0L L4 DSL	33-2539		Expert	1.6L L4 F/I	33-2539	
Expert	2.0L L4 F/I	33-2539		Expert	1.9L L4 DSL	33-2539	
Partner	1.4L L4 F/I	33-2844		Expert	2.0L L4 DSL	33-2539	
Partner	1.6L L4 F/I	33-2844		Expert	2.0L L4 F/I	33-2539	
Partner	2.0L L4 DSL	33-2813		Partner	1.1L L4 F/I	E-9183	
Xsara	1.4L L4 F/I - 8v, 2 lambda sensors	33-2813		Partner	1.4L L4 F/I - from 11/02	33-2844	
				Partner	1.4L L4 F/I - to 10/02	E-9241	
				Partner	1.6L L4 F/I	33-2844	
				Partner	1.8L L4 F/I	33-2673	
				Partner	2.0L L4 DSL - from 11/02	33-2813	
				Partner	2.0L L4 DSL - to 10/02	33-2173	
				Xsara	1.4L L4 F/I - 8v, 2 lambda sensors	33-2813	
<b>2002 PEUGEOT</b>				<b>2001 PEUGEOT</b>			
106 II	1.0L L4 CARB	E-9121		106 II	1.0L L4 CARB	E-9121	
106 II	1.1L L4 F/I - 54BHP	E-9121 ♦		106 II	1.1L L4 F/I - 54BHP	E-9121 ♦	
106 II	1.4L L4 F/I	E-9183 ♦		106 II	1.4L L4 F/I	E-9183 ♦	
106 II	1.5L L4 DSL	E-9249		106 II	1.5L L4 DSL	E-9249	
106 II	1.6L L4 F/I - 16v	33-2772 ♦		106 II	1.6L L4 F/I - 16v	33-2772 ♦	
106 II	1.6L L4 F/I - 8v	E-9183 ♦		106 II	1.6L L4 F/I - 8v	E-9183 ♦	
125 Elyseo	125		KN-185	125 Elyseo	125		KN-185
150 Elyseo	150		KN-185				
206	1.1L L4 F/I	33-2813 ♦					
206	1.4L L4 DSL	33-2840					
206	1.4L L4 F/I	33-2813 ♦					
206	1.6L L4 F/I	33-2813 ♦					
206	2.0L L4 DSL	33-2813 ♦					
206	2.0L L4 F/I	33-2813 ♦					

\*Indicates 2 filters required

♦ - Intake kit available

Applications updated daily at [knfilters.com](http://knfilters.com) ®

Partial Listing - Complete List of Vehicles and Applications at [knfilters.com](http://knfilters.com)

# PEUGEOT

# AIR & OIL FILTERS

Vehicle	Engine Type	Air Filter	Oil Filter	Vehicle	Engine Type	Air Filter	Oil Filter
<b>2001 PEUGEOT</b>				<b>2000 PEUGEOT</b>			
150 Elyseo	150		KN-185	106 II	1.1L L4 F/I - 54BHP	E-9121 ♦	
206	1.1L L4 F/I	33-2813 ♦		106 II	1.4L L4 F/I	E-9183 ♦	
206	1.4L L4 DSL	33-2840		106 II	1.5L L4 DSL	E-9249	
206	1.4L L4 F/I	33-2813 ♦		106 II	1.6L L4 F/I - 16v	33-2772 ♦	
206	1.6L L4 F/I	33-2813 ♦		106 II	1.6L L4 F/I - 8v	E-9183 ♦	
206	1.9L L4 DSL	33-2813		125 Elyseo	125		KN-185
206	2.0L L4 DSL	33-2813 ♦		206	1.1L L4 F/I	33-2813 ♦	
206	2.0L L4 F/I	33-2813 ♦		206	1.4L L4 F/I	33-2813 ♦	
306	1.1L L4 F/I	E-9183		206	1.6L L4 F/I	33-2813 ♦	
306	1.4L L4 F/I	E-9241 ♦		206	1.9L L4 DSL	33-2813	
306	1.6L L4 F/I	33-2227		206	2.0L L4 DSL	33-2813 ♦	
306	1.8L L4 F/I - 16v	33-2781 ♦		206	2.0L L4 F/I	33-2813 ♦	
306	1.8L L4 F/I - 8v	33-2673 ♦		306	1.1L L4 F/I	E-9183	
306	1.9L L4 DSL - exc. Turbo	E-9184 ♦		306	1.4L L4 F/I	E-9241 ♦	
306	2.0L L4 DSL	33-2173 ♦		306	1.6L L4 F/I - 89BHP	E-9183	
306	2.0L L4 F/I - 121BHP	33-2673 ♦		306	1.6L L4 F/I - 98BHP	33-2227	
306	2.0L L4 F/I - 132BHP	33-2781 ♦		306	1.8L L4 F/I - 16v	33-2781 ♦	
306	2.0L L4 F/I - S16	E-9000 ♦		306	1.8L L4 F/I - 8v	33-2673 ♦	
307	1.4L L4 F/I	33-2245 ♦		306	1.9L L4 DSL - exc. Turbo	E-9184 ♦	
307	1.6L L4 F/I	33-2245 ♦		306	2.0L L4 DSL	33-2173 ♦	
307	2.0L L4 DSL	33-2245 ♦		306	2.0L L4 F/I - 121BHP	33-2673 ♦	
307	2.0L L4 F/I	33-2245 ♦		306	2.0L L4 F/I - 132BHP	33-2781 ♦	
406	1.6L L4 F/I	33-2673		306	2.0L L4 F/I - S16	E-9000 ♦	
406	1.8L L4 F/I	33-2226		307	1.4L L4 F/I	33-2245 ♦	
406	1.9L L4 DSL	33-2539		307	1.6L L4 F/I	33-2245 ♦	
406	2.0L L4 DSL	33-2539		307	2.0L L4 DSL	33-2245 ♦	
406	2.0L L4 F/I - exc. Turbo	33-2226		307	2.0L L4 F/I	33-2245 ♦	
406	2.0L L4 F/I - Turbo	33-2539		406	1.6L L4 F/I	33-2673	
406	2.1L L4 DSL	33-2539		406	1.8L L4 F/I - from 11/00	33-2226 ♦	
406	2.2L L4 DSL	33-2226		406	1.8L L4 F/I - to 10/00	33-2539 ♦	
406	2.2L L4 F/I	33-2226		406	1.9L L4 DSL	33-2539	
406	3.0L V6 F/I - 190BHP	33-2539		406	2.0L L4 DSL	33-2539	
406	3.0L V6 F/I - 207BHP	33-2226		406	2.0L L4 F/I - from 9/00, exc. Turbo	33-2226	
607	2.0L L4 DSL	33-2539		406	2.0L L4 F/I - to 8/00, Turbo	33-2539	
607	2.0L L4 F/I	33-2539		406	2.1L L4 DSL	33-2539	
607	2.2L L4 DSL	33-2539		406	2.2L L4 DSL	33-2226	
607	2.2L L4 F/I	33-2539		406	2.2L L4 F/I	33-2226	
607	3.0L L4 F/I	33-2539		406	3.0L V6 F/I - 190BHP	33-2539	
806	1.8L L4 F/I	33-2539		406	3.0L V6 F/I - 207BHP	33-2226	
806	1.9L L4 DSL	33-2539		607	2.0L L4 DSL	33-2539	
806	2.0L L4 DSL	33-2539		607	2.0L L4 F/I	33-2539	
806	2.0L L4 F/I	33-2539		607	2.2L L4 DSL	33-2539	
Boxer	1.9L L4 DSL - Non-Turbo	E-9033		607	2.2L L4 F/I	33-2539	
Boxer	1.9L L4 DSL - Turbo	E-9231-1		607	3.0L L4 F/I	33-2539	
Boxer	2.0L L4 DSL	E-9231-1		806	1.8L L4 F/I	33-2539	
Boxer	2.0L L4 F/I	E-9231-1		806	1.9L L4 DSL	33-2539	
Boxer	2.5L L4 DSL - Non-Turbo	E-9033		806	2.0L L4 DSL	33-2539	
Boxer	2.5L L4 DSL - Turbo	E-9231-1		806	2.0L L4 F/I	33-2539	
Boxer	2.8L L4 DSL	E-9231-1		Boxer	1.9L L4 DSL - Non-Turbo	E-9033	
Expert	1.6L L4 F/I	33-2539		Boxer	1.9L L4 DSL - Turbo	E-9231-1	
Expert	1.9L L4 DSL	33-2539		Boxer	2.0L L4 F/I	E-9231-1	
Expert	2.0L L4 DSL	33-2539		Boxer	2.5L L4 DSL - Non-Turbo	E-9033	
Expert	2.0L L4 F/I	33-2539		Boxer	2.5L L4 DSL - Turbo	E-9231-1	
Partner	1.1L L4 F/I	E-9183		Boxer	2.8L L4 DSL	E-9231-1	
Partner	1.4L L4 F/I	E-9241		Expert	1.6L L4 F/I	33-2539	
Partner	1.6L L4 F/I	33-2844		Expert	1.9L L4 DSL	33-2539	
Partner	1.8L L4 F/I	33-2673		Expert	2.0L L4 DSL	33-2539	
Partner	2.0L L4 DSL	33-2173		Expert	2.0L L4 F/I	33-2539	
Xsara	1.4L L4 F/I - 8v, 2 lambda sensors	33-2813		Expert	1.1L L4 F/I	E-9183	
<b>2000 PEUGEOT</b>				Partner	1.4L L4 F/I	E-9241	
106 II	1.0L L4 CARB	E-9121		Partner	1.8L L4 F/I	33-2673	

\*Indicates 2 filters required

♦ - Intake kit available

Applications updated daily at [knfilters.com](http://knfilters.com) ®



# AIR & OIL FILTERS

# PEUGEOT

Vehicle	Engine Type	Air Filter	Oil Filter	Vehicle	Engine Type	Air Filter	Oil Filter
<b>2000 PEUGEOT</b>				<b>1998 PEUGEOT</b>			
Partner	2.0L L4 DSL	33-2173		205	1.1L L4 F/I	E-9183	
Xsara	1.4L L4 F/I - 8v, 2 lambda sensors	33-2813		205	1.7L L4 DSL	E-9184	
<b>1999 PEUGEOT</b>				<b>1997 PEUGEOT</b>			
106 II	1.0L L4 CARB	E-9121		205 II	1.0L L4 F/I	E-9121	
106 II	1.1L L4 F/I - 54BHP	E-9121 ♦		205 II	1.1L L4 F/I	E-9183	
106 II	1.4L L4 F/I	E-9183 ♦		205 II	1.7L L4 DSL	E-9184	
106 II	1.5L L4 DSL	E-9249		206	1.1L L4 F/I	E-9121	
106 II	1.6L L4 F/I - 16v	33-2772 ♦		206	1.4L L4 F/I	33-2813 ♦	
106 II	1.6L L4 F/I - 8v	E-9183 ♦		206	1.6L L4 F/I	33-2813 ♦	
125 Elyseo	125		KN-185	206	1.9L L4 DSL	33-2813	
206	1.1L L4 F/I	33-2813 ♦		306	1.1L L4 F/I	E-9183	
206	1.4L L4 F/I	33-2813 ♦		306	1.4L L4 F/I	E-9241 ♦	
206	1.6L L4 F/I	33-2813 ♦		306	1.6L L4 F/I	E-9183	
206	1.9L L4 DSL	33-2813		306	1.8L L4 F/I - 16v	33-2781 ♦	
206	2.0L L4 DSL	33-2813		306	1.8L L4 F/I - 8v	33-2673 ♦	
206	2.0L L4 F/I	33-2813 ♦		306	1.9L L4 DSL - exc. Turbo	E-9184 ♦	
306	1.1L L4 F/I	E-9183		306	1.9L L4 DSL - Turbo	E-9256 ♦	
306	1.4L L4 F/I	E-9241 ♦		306	2.0L L4 F/I - 121BHP	33-2673 ♦	
306	1.6L L4 F/I	E-9183		306	2.0L L4 F/I - 132BHP	33-2781 ♦	
306	1.8L L4 F/I - 16v	33-2781 ♦		306	2.0L L4 F/I - S16	E-9000 ♦	
306	1.8L L4 F/I - 8v	33-2673 ♦		406	1.6L L4 F/I	33-2673	
306	1.9L L4 DSL - exc. Turbo	E-9184 ♦		406	1.8L L4 F/I	33-2539 ♦	
306	1.9L L4 DSL - Turbo	E-9256 ♦		406	1.9L L4 DSL	33-2539	
306	2.0L L4 DSL	33-2173 ♦		406	2.0L L4 DSL	33-2539	
306	2.0L L4 F/I - 121BHP	33-2673 ♦		406	2.0L L4 F/I	33-2539 ♦	
306	2.0L L4 F/I - 132BHP	33-2781 ♦		406	2.1L L4 DSL	33-2539	
306	2.0L L4 F/I - S16	E-9000 ♦		406	3.0L V6 F/I	33-2539	
406	1.6L L4 F/I	33-2673		605	2.0L L4 F/I	33-2648	
406	1.8L L4 F/I	33-2539 ♦		605	2.1L L4 DSL	33-2648	
406	1.9L L4 DSL	33-2539		605	2.5L L4 DSL	33-2648	
406	2.0L L4 DSL	33-2539		605	3.0L V6 F/I	33-2648	
406	2.0L L4 F/I	33-2539 ♦		806	1.8L L4 F/I	33-2539	
406	2.1L L4 DSL	33-2539		806	1.9L L4 DSL	33-2539	
406	3.0L V6 F/I	33-2539		806	2.0L L4 F/I	33-2539	
605	2.0L L4 F/I	33-2648		806	2.1L L4 DSL	33-2539	
605	2.1L L4 DSL	33-2648		Boxer	1.9L L4 DSL - Non-Turbo	E-9033	
605	2.5L L4 DSL	33-2648		Boxer	1.9L L4 DSL - Turbo	E-9231-1	
605	3.0L V6 F/I	33-2648		Boxer	2.0L L4 F/I	E-9231-1	
806	1.8L L4 F/I	33-2539		Boxer	2.5L L4 DSL - Non-Turbo	E-9033	
806	1.9L L4 DSL	33-2539		Boxer	2.5L L4 DSL - Turbo	E-9231-1	
806	2.0L L4 DSL	33-2539		Expert	1.6L L4 F/I	33-2539	
806	2.0L L4 F/I	33-2539		Expert	1.9L L4 DSL	33-2539	
806	2.1L L4 DSL	33-2539		Partner	1.1L L4 F/I	E-9183	
Boxer	1.9L L4 DSL - Non-Turbo	E-9033		Partner	1.4L L4 F/I	E-9241	
Boxer	1.9L L4 DSL - Turbo	E-9231-1		Partner	1.8L L4 F/I	33-2673	
Boxer	2.0L L4 F/I	E-9231-1		<b>1997 PEUGEOT</b>			
Boxer	2.5L L4 DSL - Non-Turbo	E-9033		106 II	1.0L L4 CARB	E-9121	
Boxer	2.5L L4 DSL - Turbo	E-9231-1		106 II	1.1L L4 F/I - 54BHP	E-9121 ♦	
Expert	1.6L L4 F/I	33-2539		106 II	1.4L L4 F/I	E-9183 ♦	
Expert	1.9L L4 DSL	33-2539		106 II	1.5L L4 DSL	E-9249	
Partner	1.1L L4 F/I	E-9183		106 II	1.6L L4 F/I - 16v	33-2772 ♦	
Partner	1.4L L4 F/I	E-9241		106 II	1.6L L4 F/I - 8v	E-9183 ♦	
Partner	1.8L L4 F/I	33-2673		205	1.1L L4 F/I	E-9183	
<b>1998 PEUGEOT</b>				205	1.7L L4 DSL	E-9184	
106 II	1.0L L4 CARB	E-9121		205 II	1.0L L4 F/I	E-9121	
106 II	1.1L L4 F/I - 54BHP	E-9121 ♦		205 II	1.1L L4 F/I	E-9183	
106 II	1.4L L4 F/I	E-9183 ♦		205 II	1.7L L4 DSL	E-9184	
106 II	1.5L L4 DSL	E-9249		205 II	1.8L L4 DSL	E-9184	
106 II	1.6L L4 F/I - 16v	33-2772 ♦		205 II	1.9L L4 DSL	E-9184	
106 II	1.6L L4 F/I - 8v	E-9183 ♦		306	1.1L L4 F/I	E-9183	
<b>1998 PEUGEOT</b>				306	1.4L L4 F/I - from 4/97	E-9241 ♦	
106 II	1.6L L4 F/I - 8v	E-9183 ♦		306	1.4L L4 F/I - to 3/97	E-9183 ♦	

\*Indicates 2 filters required      ♦ - Intake kit available      Applications updated daily at [knfilters.com](http://knfilters.com) ®

**Partial Listing - Complete List of Vehicles and Applications at [knfilters.com](http://knfilters.com)**

# PEUGEOT

# AIR & OIL FILTERS

Vehicle	Engine Type	Air Filter	Oil Filter	Vehicle	Engine Type	Air Filter	Oil Filter
<b>1997 PEUGEOT</b>				<b>1996 PEUGEOT</b>			
306	1.6L L4 F/I	E-9183 ♦		306	2.0L L4 F/I - S16	E-9000 ♦	
306	1.8L L4 F/I - 16v	33-2781 ♦		405 II	1.6L L4 F/I	33-2539	
306	1.8L L4 F/I - 8v	33-2673 ♦		405 II	1.8L L4 F/I	33-2673	
306	1.9L L4 DSL - exc. Turbo	E-9184 ♦		405 II	1.9L L4 DSL	33-2539	
306	1.9L L4 DSL - from 6/97, Turbo	E-9256 ♦		405 II	2.0L L4 F/I	33-2673 ♦	
306	1.9L L4 DSL - Turbo, to 5/97	E-9000 ♦		406	1.6L L4 F/I	33-2673	
306	2.0L L4 F/I - 121BHP	33-2673 ♦		406	1.8L L4 F/I	33-2539 ♦	
306	2.0L L4 F/I - 132BHP	33-2781 ♦		406	1.9L L4 DSL	33-2539	
306	2.0L L4 F/I - S16	E-9000 ♦		406	2.0L L4 F/I	33-2539 ♦	
406	1.6L L4 F/I	33-2673		406	2.1L L4 DSL	33-2539	
406	1.8L L4 F/I	33-2539 ♦		406	3.0L V6 F/I	33-2539	
406	1.9L L4 DSL	33-2539		605	2.0L L4 F/I	33-2648	
406	2.0L L4 F/I	33-2539 ♦		605	2.1L L4 DSL	33-2648	
406	2.1L L4 DSL	33-2539		605	2.5L L4 DSL	33-2648	
406	3.0L V6 F/I	33-2539		605	3.0L V6 F/I	33-2648	
605	2.0L L4 F/I	33-2648		806	1.9L L4 DSL	33-2539	
605	2.1L L4 DSL	33-2648		806	2.0L L4 F/I	33-2539	
605	2.5L L4 DSL	33-2648		806	2.1L L4 DSL	33-2539	
605	3.0L V6 F/I	33-2648		Boxer	2.5L L4 DSL - Non-Turbo	E-9033	
806	1.8L L4 F/I	33-2539		Boxer	2.5L L4 DSL - Turbo	E-9231-1	
806	1.9L L4 DSL	33-2539		Expert	1.9L L4 DSL	33-2539	
806	2.0L L4 F/I	33-2539		Partner	1.9L L4 DSL	E-9184	
806	2.1L L4 DSL	33-2539		<b>1995 PEUGEOT</b>			
Boxer	1.9L L4 DSL - Non-Turbo	E-9033		106 I	1.0L L4 CARB	E-9121	
Boxer	1.9L L4 DSL - Turbo	E-9231-1		106 I	1.1L L4 F/I	E-9183 ♦	
Boxer	2.5L L4 DSL - Non-Turbo	E-9033		106 I	1.3L L4 F/I	33-2725 ♦	
Boxer	2.5L L4 DSL - Turbo	E-9231-1		106 I	1.4L L4 DSL	33-2539	
Expert	1.6L L4 F/I	33-2539		106 I	1.4L L4 F/I	E-9183 ♦	
Expert	1.9L L4 DSL	33-2539		106 I	1.5L L4 DSL	E-9249	
Partner	1.1L L4 F/I	E-9183		106 I	1.6L L4 F/I	E-9183 ♦	
Partner	1.4L L4 F/I	E-9241		205	1.1L L4 F/I	E-9183	
Partner	1.8L L4 DSL	E-9184		205	1.7L L4 DSL	E-9184	
Partner	1.8L L4 F/I	33-2673		205 II	1.0L L4 F/I	E-9121	
Partner	1.9L L4 DSL	E-9256		205 II	1.1L L4 F/I	E-9183	
<b>1996 PEUGEOT</b>				205 II	1.7L L4 DSL	E-9184	
106 I	1.0L L4 CARB	E-9121		205 II	1.8L L4 DSL	E-9184	
106 I	1.1L L4 F/I	E-9183 ♦		205 II	1.9L L4 DSL	E-9184	
106 I	1.3L L4 F/I	33-2725 ♦		306	1.1L L4 F/I	E-9183	
106 I	1.4L L4 DSL	33-2539		306	1.4L L4 F/I	E-9183	
106 I	1.4L L4 F/I	E-9183 ♦		306	1.6L L4 F/I	E-9183 ♦	
106 I	1.5L L4 DSL	E-9249		306	1.8L L4 F/I	33-2673	
106 I	1.6L L4 F/I	E-9183 ♦		306	1.9L L4 DSL - exc. Turbo	E-9184 ♦	
106 II	1.0L L4 CARB	E-9121		306	1.9L L4 DSL - Turbo	E-9000 ♦	
106 II	1.4L L4 F/I	E-9183 ♦		306	2.0L L4 F/I - Exc., S16	33-2673 ♦	
106 II	1.5L L4 DSL	E-9249		405 II	2.0L L4 F/I - S16	E-9000 ♦	
106 II	1.6L L4 F/I - 16v	33-2772 ♦		405 II	1.4L L4 F/I	E-9183	
106 II	1.6L L4 F/I - 8v	E-9183 ♦		405 II	1.6L L4 F/I	33-2539	
205	1.1L L4 F/I	E-9183		405 II	1.8L L4 F/I	33-2673	
205	1.7L L4 DSL	E-9184		405 II	1.9L L4 DSL	33-2539	
205 II	1.1L L4 F/I	E-9183		405 II	2.0L L4 F/I - 16v	E-9000 ♦	
205 II	1.7L L4 DSL	E-9184		405 II	2.0L L4 F/I - 8v	33-2673 ♦	
205 II	1.8L L4 DSL	E-9184		406	1.6L L4 F/I	33-2673	
205 II	1.9L L4 DSL	E-9184		406	1.8L L4 F/I	33-2539 ♦	
306	1.1L L4 F/I	E-9183		406	2.0L L4 F/I	33-2539 ♦	
306	1.4L L4 F/I	E-9183		605	2.0L L4 F/I	33-2648	
306	1.6L L4 F/I	E-9183 ♦		605	2.1L L4 DSL	33-2648	
306	1.8L L4 F/I	33-2673		605	3.0L V6 F/I	33-2648	
306	1.9L L4 DSL - exc. Turbo	E-9184 ♦		806	1.9L L4 DSL	33-2539	
306	1.9L L4 DSL - Turbo	E-9000 ♦		806	2.0L L4 F/I	33-2539	
306	2.0L L4 F/I - Exc., S16	33-2673 ♦		Boxer	2.5L L4 DSL - Non-Turbo	E-9033	
				Boxer	2.5L L4 DSL - Turbo	E-9231-1	

\*Indicates 2 filters required      ♦ - Intake kit available      Applications updated daily at [knfilters.com](http://knfilters.com) ®

# AIR & OIL FILTERS

# PEUGEOT

Vehicle	Engine Type	Air Filter	Oil Filter	Vehicle	Engine Type	Air Filter	Oil Filter
<b>1994 PEUGEOT</b>				<b>1993 PEUGEOT</b>			
106 I	1.0L L4 CARB	E-9121		405 II	1.8L L4 F/I	33-2673	
106 I	1.1L L4 F/I	E-9183 ♦		405 II	1.9L L4 DSL	33-2539	
106 I	1.3L L4 F/I	33-2725 ♦		405 II	2.0L L4 F/I - 16v	E-9000 ♦	
106 I	1.4L L4 DSL	33-2539		405 II	2.0L L4 F/I - 8v	33-2673 ♦	
106 I	1.4L L4 F/I	E-9183 ♦		605	2.0L L4 F/I	33-2648	
106 I	1.5L L4 DSL	E-9249		<b>1992 PEUGEOT</b>			
106 I	1.6L L4 F/I	E-9183 ♦		106 I	1.0L L4 CARB	E-9121	
205	1.7L L4 DSL	E-9184		106 I	1.1L L4 F/I - to 7/92	E-9121 ♦	
205 I	1.1L L4 F/I - 54BHP	E-9121		106 I	1.1L L4 F/I - to 8/92	E-9183 ♦	
205 I	1.1L L4 F/I - 60BHP	E-9183		106 I	1.4L L4 DSL	33-2539	
205 I	1.6L L4 F/I	E-9000		106 I	1.4L L4 F/I	E-9183 ♦	
205 I	1.9L L4 F/I	E-9000 ♦		205 I	1.1L L4 F/I - 54BHP	E-9121	
205 II	1.1L L4 F/I	E-9183		205 I	1.1L L4 F/I - 60BHP	E-9183	
205 II	1.7L L4 DSL	E-9184		205 I	1.6L L4 F/I	E-9000 ♦	
205 II	1.8L L4 DSL	E-9184		205 I	1.9L L4 F/I	E-9000 ♦	
205 II	1.9L L4 DSL	E-9184		205 II	1.0L L4 F/I	E-9121	
205 II	1.9L L4 F/I	E-9000 ♦		205 II	1.1L L4 F/I	E-9183	
306	1.4L L4 F/I	E-9183		205 II	1.3L L4 CARB	E-9121	
306	1.6L L4 F/I	E-9183 ♦		205 II	1.6L L4 F/I	E-9000	
306	1.8L L4 F/I	33-2673		205 II	1.7L L4 DSL	E-9184 ♦	
306	1.9L L4 DSL - exc. Turbo	E-9184 ♦		205 II	1.8L L4 DSL	E-9184 ♦	
306	1.9L L4 DSL - Turbo	E-9000 ♦		205 II	1.9L L4 DSL	E-9184	
306	2.0L L4 F/I - Exc., S16	33-2673 ♦		205 II	1.9L L4 F/I	E-9000 ♦	
306	2.0L L4 F/I - S16	E-9000 ♦		309 II	1.4L L4 F/I	E-9183	
405 II	1.6L L4 F/I	33-2539		309 II	1.6L L4 F/I - 108x178 mm	E-9121	
405 II	1.8L L4 F/I	33-2673		309 II	1.6L L4 F/I - 110x240 mm	E-9000	
405 II	1.9L L4 DSL	33-2539		309 II	1.8L L4 DSL	E-9184	
405 II	2.0L L4 F/I - 16v	E-9000 ♦		309 II	1.9L L4 DSL	E-9184	
405 II	2.0L L4 F/I - 8v	33-2673 ♦		309 II	1.9L L4 F/I - 108x178 mm	E-9121 ♦	
605	2.0L L4 F/I	33-2648		309 II	1.9L L4 F/I - 110x240 mm	E-9000 ♦	
605	2.1L L4 DSL	33-2648		405 I	1.6L L4 F/I	33-2539	
605	3.0L V6 F/I	33-2648		405 I	1.8L L4 DSL	33-2539 ♦	
806	2.0L L4 F/I	33-2539		405 I	1.9L L4 DSL	33-2539	
Boxer	2.5L L4 DSL - Non-Turbo	E-9033		405 I	1.9L L4 F/I	33-2539 ♦	
Boxer	2.5L L4 DSL - Turbo	E-9231-1		405 II	1.6L L4 F/I	33-2539	
<b>1993 PEUGEOT</b>				405 II	1.8L L4 F/I	33-2673	
106 I	1.0L L4 CARB	E-9121		405 II	1.9L L4 DSL	33-2539	
106 I	1.1L L4 F/I	E-9183 ♦		405 II	2.0L L4 F/I - 16v	E-9000 ♦	
106 I	1.3L L4 F/I	33-2725 ♦		405 II	2.0L L4 F/I - 8v	33-2673 ♦	
106 I	1.4L L4 DSL	33-2539		605	2.0L L4 F/I	33-2648	
106 I	1.4L L4 F/I	E-9183 ♦		605	2.1L L4 DSL	33-2648	
106 I	1.6L L4 F/I	E-9183 ♦		605	3.0L V6 F/I	33-2648	
205 I	1.6L L4 F/I	E-9000		<b>1991 PEUGEOT</b>			
205 I	1.9L L4 F/I	E-9000 ♦		106 I	1.0L L4 CARB	E-9121	
205 II	1.1L L4 F/I	E-9183		106 I	1.1L L4 F/I	E-9121 ♦	
205 II	1.8L L4 DSL	E-9184 ♦		106 I	1.4L L4 F/I	E-9183 ♦	
205 II	1.9L L4 DSL	E-9184		205 I	1.1L L4 F/I - 54BHP	E-9121	
205 II	1.9L L4 F/I	E-9000 ♦		205 I	1.1L L4 F/I - 60BHP	E-9183	
306	1.4L L4 F/I	E-9183		205 I	1.6L L4 F/I	E-9000 ♦	
306	1.6L L4 F/I	E-9183 ♦		205 I	1.9L L4 F/I	E-9000 ♦	
306	1.8L L4 F/I	33-2673		205 II	1.1L L4 F/I - from 7/91	E-9183	
306	1.9L L4 DSL - exc. Turbo	E-9184 ♦		205 II	1.1L L4 F/I - to 6/91	E-9121	
306	1.9L L4 DSL - Turbo	E-9000 ♦		205 II	1.3L L4 CARB	E-9121	
306	2.0L L4 F/I - Exc., S16	33-2673 ♦		205 II	1.4L L4 F/I	E-9121	
306	2.0L L4 F/I - S16	E-9000 ♦		205 II	1.6L L4 F/I	E-9000	
309 II	1.9L L4 DSL	E-9184		205 II	1.8L L4 DSL	E-9184 ♦	
309 II	1.9L L4 F/I - 108x178 mm	E-9121 ♦		205 II	1.9L L4 DSL	E-9184	
309 II	1.9L L4 F/I - 110x240 mm	E-9000 ♦		205 II	1.9L L4 F/I	E-9000 ♦	
405 I	1.9L L4 F/I	33-2539		309 II	1.4L L4 F/I - from 8/91	E-9183	
405 II	1.6L L4 F/I	33-2539		309 II	1.4L L4 F/I - to 7/91	E-9121	

\*Indicates 2 filters required      ♦ - Intake kit available      Applications updated daily at [knfilters.com](http://knfilters.com) ®

**Partial Listing - Complete List of Vehicles and Applications at [knfilters.com](http://knfilters.com)**

# PEUGEOT

# AIR & OIL FILTERS

Vehicle	Engine Type	Air Filter	Oil Filter
<b>1991 PEUGEOT</b>			
309 II	1.6L L4 F/I - 108x178 mm	E-9121	
309 II	1.6L L4 F/I - 110x240 mm	E-9000	
309 II	1.8L L4 DSL	E-9184	
309 II	1.9L L4 DSL	E-9184	
309 II	1.9L L4 F/I - 108x178 mm	E-9121 ♦	
309 II	1.9L L4 F/I - 110x240 mm	E-9000 ♦	
405	1.9L L4 F/I	33-2539	
405 I	1.6L L4 F/I	33-2539	
405 I	1.8L L4 DSL	33-2539 ♦	
405 I	1.9L L4 DSL	33-2539	
405 I	1.9L L4 F/I	33-2539 ♦	
<b>1990 PEUGEOT</b>			
205	1.1L L4 F/I	E-9121	
205 I	1.1L L4 F/I	E-9121	
205 I	1.6L L4 F/I	E-9000 ♦	
205 I	1.9L L4 F/I	E-9000 ♦	
205 II	1.1L L4 F/I	E-9121	
205 II	1.3L L4 CARB	E-9121	
205 II	1.4L L4 F/I	E-9121	
205 II	1.6L L4 F/I	E-9000	
205 II	1.8L L4 DSL	E-9184 ♦	
205 II	1.9L L4 DSL	E-9184	
205 II	1.9L L4 F/I	E-9000 ♦	
309 II	1.4L L4 F/I	E-9121	
309 II	1.6L L4 F/I - 108x178 mm	E-9121	
309 II	1.6L L4 F/I - 110x240 mm	E-9000	
309 II	1.8L L4 DSL	E-9184	
309 II	1.9L L4 DSL	E-9184	
309 II	1.9L L4 F/I - 108x178 mm	E-9121 ♦	
309 II	1.9L L4 F/I - 110x240 mm	E-9000 ♦	
405	1.9L L4 F/I	33-2539	
405 I	1.6L L4 F/I	33-2539	
405 I	1.8L L4 DSL	33-2539 ♦	
405 I	1.9L L4 DSL	33-2539	
405 I	1.9L L4 F/I	33-2539 ♦	
<b>1989 PEUGEOT</b>			
205	1.1L L4 F/I	E-9121	
205	1.8L L4 DSL	E-9184	
205 I	1.1L L4 F/I	E-9121	
205 I	1.6L L4 F/I	E-9000 ♦	
205 I	1.9L L4 F/I	E-9000 ♦	
205 II	1.1L L4 F/I	E-9121	
205 II	1.3L L4 CARB	E-9121	
205 II	1.6L L4 F/I	E-9000 ♦	
205 II	1.9L L4 DSL	E-9184	
205 II	1.9L L4 F/I	E-9000 ♦	
309	1.7L L4 - SRD	33-2539	
309 I	1.3L L4 CARB	E-9121	
309 I	1.9L L4 DSL	E-9184	
309 I	1.9L L4 F/I - 108x178 mm	E-9121 ♦	
309 I	1.9L L4 F/I - 110x240 mm	E-9000 ♦	
309 II	1.4L L4 F/I	E-9121	
309 II	1.9L L4 DSL	E-9184	
309 II	1.9L L4 F/I - 108x178 mm	E-9121 ♦	
309 II	1.9L L4 F/I - 110x240 mm	E-9000 ♦	
405	1.9L L4 F/I	33-2539	

Vehicle	Engine Type	Air Filter	Oil Filter
<b>1989 PEUGEOT</b>			
405 I	1.6L L4 F/I	33-2539	
405 I	1.8L L4 DSL	33-2539 ♦	
405 I	1.9L L4 DSL	33-2539	
405 I	1.9L L4 F/I	33-2539 ♦	
<b>1988 PEUGEOT</b>			
205	1.8L L4 DSL	E-9184	
205 I	1.1L L4 F/I	E-9121	
205 I	1.6L L4 F/I	E-9000 ♦	
205 I	1.9L L4 F/I	E-9000 ♦	
205 II	1.1L L4 F/I - 49BHP	E-9002	
205 II	1.1L L4 F/I - 54BHP	E-9121	
205 II	1.3L L4 CARB	E-9121	
205 II	1.6L L4 F/I	E-9000 ♦	
205 II	1.9L L4 DSL	E-9184	
205 II	1.9L L4 F/I	E-9000 ♦	
309 I	1.1L L4 CARB	E-9121	
309 I	1.3L L4 CARB	E-9121	
309 I	1.6L L4 F/I - 108x178 mm	E-9121	
309 I	1.6L L4 F/I - 110x240 mm	E-9000	
309 I	1.9L L4 DSL	E-9184	
309 I	1.9L L4 F/I - 108x178 mm	E-9121 ♦	
309 I	1.9L L4 F/I - 110x240 mm	E-9000 ♦	
405 I	1.9L L4 DSL	33-2539	
405 I	1.9L L4 F/I	33-2539 ♦	
504	1.9L L4 DSL	E-2300	
<b>1987 PEUGEOT</b>			
205	1.4L L4 CARB	E-9002	
205 I	1.4L L4 CARB	E-9002	
205 I	1.6L L4 F/I	E-9000 ♦	
205 I	1.9L L4 F/I	E-9000 ♦	
205 II	1.3L L4 CARB	E-9121	
205 II	1.6L L4 F/I	E-9000 ♦	
205 II	1.9L L4 DSL	E-9184	
205 II	1.9L L4 F/I	E-9000 ♦	
<b>1986 PEUGEOT</b>			
205	1.4L L4 CARB	E-9002	
205 I	1.4L L4 CARB	E-9002	
205 I	1.6L L4 F/I	E-9000	
205 I	1.9L L4 F/I	E-9000 ♦	
604	2.8L V6 F/I	33-2726	
<b>1985 PEUGEOT</b>			
205 I	1.6L L4 F/I	E-9000	
604	2.8L V6 F/I	33-2726	
<b>1984 PEUGEOT</b>			
205 I	1.6L L4 F/I	E-9000	
604	2.8L V6 F/I	33-2726	
<b>1983 PEUGEOT</b>			
604	2.8L V6 F/I	33-2726	
<b>1980 PEUGEOT</b>			
604	2.8L V6 CARB	E-3740	
<b>1979 PEUGEOT</b>			
504	1.9L L4 DSL	E-2300	
504	2.0L L4 CARB	E-2360	
604	2.8L V6 CARB	E-3740	
<b>1977 PEUGEOT</b>			
504	2.0L L4 CARB	E-2360	

\*Indicates 2 filters required

♦ - Intake kit available

Applications updated daily at [knfilters.com](http://knfilters.com) ®

# AIR & OIL FILTERS

# PLYMOUTH

Vehicle	Engine Type	Air Filter	Oil Filter
---------	-------------	------------	------------

## 2001 PLYMOUTH

Neon	2.0L L4 F/I	E-1006	HP-1002
Prowler	3.5L V6 F/I	33-2087	HP-2004

## 2000 PLYMOUTH

Breeze	2.0L L4 F/I	33-2067	HP-1002
Breeze	2.4L L4 F/I	33-2067	HP-1002
Grand Voyager	3.0L V6 F/I	33-2087	HP-2004
Grand Voyager	3.3L V6 F/I	33-2087	HP-2004
Neon	2.0L L4 F/I	E-1006	HP-1002
Prowler	3.5L V6 F/I	33-2087	HP-2004
Voyager Van	2.4L L4 F/I	33-2087	HP-1002
Voyager Van	3.0L V6 F/I	33-2087	HP-2004
Voyager Van	3.3L V6 F/I	33-2087	HP-2004

## 1999 PLYMOUTH

Breeze	2.0L L4 F/I	33-2067	HP-1002
Breeze	2.4L L4 F/I	33-2067	HP-1002
Grand Voyager	3.0L V6 F/I	33-2087	HP-2004
Grand Voyager	3.3L V6 F/I	33-2087	HP-2004
Grand Voyager	3.8L V6 F/I	33-2087	HP-2004
Neon	2.0L L4 F/I	33-2087	HP-1002
		33-2087 ♦	HP-1002
Prowler	3.5L V6 F/I	33-2087	HP-2004
Voyager Van	2.4L L4 F/I	33-2087	HP-1002
Voyager Van	3.0L V6 F/I	33-2087	HP-2004
Voyager Van	3.3L V6 F/I	33-2087	HP-2004
Voyager Van	3.8L V6 F/I	33-2087	HP-2004

## 1998 PLYMOUTH

Breeze	2.0L L4 F/I	33-2067	HP-1002
Breeze	2.4L L4 F/I	33-2067	HP-1002
Grand Voyager	3.0L V6 F/I	33-2087	HP-2004
Grand Voyager	3.3L V6 F/I	33-2087	HP-2004
Neon	2.0L L4 F/I	33-2087	HP-1002
		33-2087 ♦	HP-1002
Prowler	3.5L V6 F/I	33-2087	HP-2004
Voyager Van	2.4L L4 F/I	33-2087	HP-1002
Voyager Van	3.0L V6 F/I	33-2087	HP-2004
Voyager Van	3.3L V6 F/I	33-2087	HP-2004
Voyager Van	3.8L V6 F/I	33-2087	HP-2004

## 1997 PLYMOUTH

Breeze	2.0L L4 F/I	33-2067	HP-1002
Grand Voyager	2.4L L4 F/I	33-2087	HP-1002
Grand Voyager	3.0L V6 F/I	33-2087	HP-2004
Grand Voyager	3.3L V6 F/I	33-2087	HP-2004
Grand Voyager	3.8L V6 F/I	33-2087	HP-2004
Neon	2.0L L4 F/I	33-2087	HP-1002
		33-2087 ♦	HP-1002
Prowler	3.5L V6 F/I	33-2087	HP-2004
Voyager Van	2.4L L4 F/I	33-2087	HP-1002
Voyager Van	3.0L V6 F/I	33-2087	HP-2004
Voyager Van	3.3L V6 F/I	33-2087	HP-2004
Voyager Van	3.8L V6 F/I	33-2087	HP-2004

## 1996 PLYMOUTH

Breeze	2.0L L4 F/I	33-2067	HP-1002
Grand Voyager	2.4L L4 F/I	33-2087	HP-1002
Grand Voyager	3.0L V6 F/I	33-2087	HP-2004
Grand Voyager	3.3L V6 F/I	33-2087	HP-2004
Grand Voyager	3.8L V6 F/I	33-2087	HP-2004
Neon	2.0L L4 F/I	33-2087	HP-1002
		33-2087 ♦	HP-1002
Voyager	3.8L V6 F/I	33-2087	HP-2004
Voyager Van	2.4L L4 F/I	33-2087	HP-1002
Voyager Van	3.0L V6 F/I	33-2087	HP-2004

Vehicle	Engine Type	Air Filter	Oil Filter
---------	-------------	------------	------------

## 1996 PLYMOUTH

Voyager Van	3.3L V6 F/I	33-2087	HP-2004
-------------	-------------	---------	---------

## 1995 PLYMOUTH

Acclaim	2.5L L4 F/I	E-1923	HP-2004
Acclaim	3.0L V6 F/I	33-2002	HP-2004
Grand Voyager	3.0L V6 F/I	33-2002	HP-2004
Grand Voyager	3.3L V6 F/I		HP-2004
Grand Voyager	3.8L V6 F/I		HP-2004
Neon	2.0L L4 F/I	33-2087	HP-1002
		33-2087 ♦	HP-1002
Voyager Van	2.5L L4 F/I	33-2006	HP-2004
Voyager Van	3.0L V6 F/I	33-2002	HP-2004
Voyager Van	3.3L V6 F/I		HP-2004

## 1994 PLYMOUTH

Acclaim	2.5L L4 F/I	E-1923	HP-2004
Acclaim	3.0L V6 F/I	33-2002	HP-2004
Colt	1.5L L4 F/I	33-2074	HP-1010
Colt	1.8L L4 F/I		HP-1010
Colt Vista	1.8L L4 F/I	33-2072	HP-1010
Grand Voyager	3.0L V6 F/I	33-2002	HP-2004
Grand Voyager	3.3L V6 F/I		HP-2004
Grand Voyager	3.8L V6 F/I		HP-2004
Laser	1.8L L4 F/I	E-2875	HP-1010
Laser	2.0L L4 F/I	E-2875	HP-1010
Sundance	2.2L L4 F/I	E-1923	HP-2004
Sundance	2.5L L4 F/I	E-1923	HP-2004
Sundance	3.0L V6 F/I	33-2002	HP-2004
Voyager Van	3.0L V6 F/I	33-2002	HP-2004
Voyager Van	3.3L V6 F/I		HP-2004

## 1993 PLYMOUTH

Acclaim	2.5L L4 F/I	E-1923	HP-2004
Acclaim	3.0L V6 F/I	33-2002	HP-2004
Colt	1.5L L4 F/I	33-2074	HP-1010
Colt	1.8L L4 F/I		HP-1010
Colt	1.8L L4 F/I - Non-US	33-2074	HP-1010
Colt	2.4L L4 F/I	33-2072	HP-1010
Colt Vista	1.8L L4 F/I	33-2072	HP-1010
Grand Voyager	3.0L V6 F/I	33-2002	HP-2004
Grand Voyager	3.3L V6 F/I		HP-2004
Laser	1.8L L4 F/I	E-2875	HP-1004
Laser	2.0L L4 F/I	E-2875	HP-1010
		E-2875 ♦	HP-1010
Sundance	2.2L L4 F/I	E-1923	HP-2004
Sundance	2.5L L4 F/I	E-1923	HP-2004
Sundance	3.0L V6 F/I	33-2002	HP-2004
Voyager Van	2.5L L4 F/I	33-2006	HP-2004
Voyager Van	3.0L V6 F/I	33-2002	HP-2004
Voyager Van	3.3L V6 F/I		HP-2004

## 1992 PLYMOUTH

Acclaim	2.5L L4 F/I	E-1923	HP-2004
Acclaim	3.0L V6 F/I	33-2002	HP-2004
Colt	1.5L L4 F/I	E-2875	HP-1010
Colt	1.8L L4 F/I	33-2072	HP-1010
Colt	2.4L L4 F/I	33-2072	HP-1005
Grand Voyager	3.0L V6 F/I	33-2002	HP-2004
Grand Voyager	3.3L V6 F/I		HP-2004
Laser	1.8L L4 F/I	E-2875	HP-1004
Laser	2.0L L4 F/I	E-2875	
		E-2875 ♦	
Laser	2.0L L4 F/I - After 4-3-92	E-2875	HP-1010
Laser	2.0L L4 F/I - Before 4-3-92	E-2875	HP-1005
Sundance	2.2L L4 F/I	E-1923	HP-2004

\*Indicates 2 filters required

♦ - Intake kit available

Applications updated daily at [knfilters.com](http://knfilters.com) ®

Partial Listing - Complete List of Vehicles and Applications at [knfilters.com](http://knfilters.com)

# PLYMOUTH

# AIR & OIL FILTERS

Vehicle	Engine Type	Air Filter	Oil Filter
---------	-------------	------------	------------

## 1992 PLYMOUTH

Sundance	2.5L L4 F/I	E-1923	HP-2004
Sundance	3.0L V6 F/I	33-2002	HP-2004
Voyager Van	2.5L L4 F/I	33-2006	HP-2004
Voyager Van	3.0L V6 F/I	33-2002	HP-2004
Voyager Van	3.3L V6 F/I		HP-2004

## 1991 PLYMOUTH

Acclaim	2.5L L4 F/I	33-2039	HP-2004
Acclaim	3.0L V6 F/I	33-2002	HP-2004
Colt	1.5L L4 F/I	E-2875	HP-1010
Grand Voyager	3.3L V6 F/I		HP-2004
Laser	1.8L L4 F/I	E-2875	HP-1004
Laser	2.0L L4 F/I	E-2875	HP-1005
		E-2875 ♦	HP-1005
Sundance	2.2L L4 F/I		HP-2004
Sundance	2.5L L4 F/I	E-1923	HP-2004
Sundance	2.5L L4 F/I - exc. Turbo	E-1923	HP-2004
Sundance	2.5L L4 F/I - Turbo	33-2039	HP-2004

## 1990 PLYMOUTH

Acclaim	2.5L L4 F/I - exc. Turbo	E-1923	HP-1002
Acclaim	2.5L L4 F/I - Turbo	33-2039	HP-1002
Acclaim	3.0L V6 F/I	33-2002	HP-1002
Colt	1.5L L4 CARB	E-2875	HP-1005
Colt	1.5L L4 F/I	E-2875	HP-1005
Grand Voyager	3.3L V6 F/I		HP-1002
Laser	1.8L L4 F/I	E-2875	HP-1004
Laser	2.0L L4 F/I	E-2875	HP-1005
		E-2875 ♦	HP-1005
Sundance	2.2L L4 F/I	E-1923	HP-1002
Sundance	2.5L L4 F/I		HP-1002
Sundance	2.5L L4 F/I - exc. Turbo	E-1923	HP-1002
Sundance	2.5L L4 F/I - Turbo	33-2039	HP-1002
Voyager Van	3.0L V6 F/I	33-2002	HP-1002

## 1989 PLYMOUTH

Grand Voyager	3.0L V6 F/I	33-2002	HP-1002
Horizon	2.2L L4 F/I	33-2002	HP-1002
Sundance	2.2L L4 F/I	E-1923	HP-1002
Sundance	2.5L L4 F/I		HP-1002
Sundance	2.5L L4 F/I - exc. Turbo	E-1923	HP-1002
Sundance	2.5L L4 F/I - Turbo	33-2006	HP-1002
Voyager Van	3.0L V6 F/I	33-2002	HP-1002

## 1988 PLYMOUTH

Caravelle	2.5L L4 F/I	E-1923	HP-1002
Reliant	2.2L L4 F/I	E-1923	HP-1002
Reliant	2.5L L4 F/I	E-1923	HP-1002
Sundance	2.2L L4 F/I		HP-1002
Sundance	2.2L L4 F/I - Turbo	33-2006	HP-1002

## 1987 PLYMOUTH

Horizon	2.2L L4 CARB	33-2006	HP-1002
Reliant	2.2L L4 F/I	E-1923	HP-1002
Reliant	2.5L L4 F/I	E-1923	HP-1002

## 1986 PLYMOUTH

Colt	2.0L L4 CARB	E-2874	HP-1005
Conquest	2.6L L4 F/I	E-2873	HP-1005

## 1985 PLYMOUTH

Gran Fury	5.2L V8 2 BBL.	E-1100	HP-2004
Gran Fury	5.2L V8 4 BBL.	E-1530	HP-2004
Horizon	2.2L L4 CARB	33-2006	HP-1002
Reliant	2.2L L4 CARB	33-2006	HP-1002
Reliant	2.2L L4 F/I	33-2006	HP-1002

Vehicle	Engine Type	Air Filter	Oil Filter
---------	-------------	------------	------------

## 1984 PLYMOUTH

Colt	1.6L L4 F/I	E-2873	HP-1005
------	-------------	--------	---------

## 1980 PLYMOUTH

Arrow	156 L4 CARB	E-2810	HP-1005
Horizon	1.7L L4 CARB	E-2190	HP-1002

## 1979 PLYMOUTH

Volare	225 L6 CARB	E-1100	HP-2004
--------	-------------	--------	---------

## 1978 PLYMOUTH

Horizon	1.7L L4 CARB	E-2190	HP-1002
Volare	225 L6 1 BBL.	E-1000	HP-2004
Volare	225 L6 2 BBL.	E-1100	HP-2004

## 1977 PLYMOUTH

Volare	225 L6 1 BBL.	E-1000	HP-2004
Volare	225 L6 2 BBL.	E-1100	HP-2004
Volare	318 V8 CARB	E-1100	HP-2004

## 1974 PLYMOUTH

Duster	225 L6 CARB	E-1000	HP-2004
Duster	318 V8 CARB	E-1100	HP-2004
Duster	360 V8 CARB	E-1530	HP-2004
Sebring	318 V8 2 BBL.	E-1100	

## 1973 PLYMOUTH

Barracuda	340 V8 CARB	E-1530	HP-2004
Cuda	340 V8 CARB	E-1530	
Duster	318 V8 CARB	E-1100	HP-2004
Duster	340 V8 CARB	E-1530	HP-2004
Roadrunner	340 V8 CARB	E-1530	
Roadrunner	440 V8 CARB	E-1530	

## 1972 PLYMOUTH

Barracuda	340 V8 CARB	E-1530	HP-3001
Duster	225 L6 CARB	E-1000	HP-3001
Duster	318 V8 CARB	E-1100	HP-3001
Duster	340 V8 CARB	E-1530	HP-3001
Roadrunner	440 V8 3x2BBL.	E-1980	HP-3001
Roadrunner	440 V8 4 BBL.	E-1530	HP-3001
Satellite	318 V8 CARB	E-1100	HP-3001
Satellite	400 V8 CARB	E-1530	HP-3001
Valiant	225 L6 CARB	E-1000	HP-3001
Valiant	318 V8 CARB	E-1100	HP-3001

## 1971 PLYMOUTH

Barracuda	383 V8 CARB	E-1530	HP-3001
Cuda	340 V8 CARB - exc. Hi Perf.	E-1980	
Cuda	426 V8 CARB	E-1980	
Cuda	440 V8 CARB - exc. Hi Perf.	E-1980	
Cuda	440 V8 CARB - Hi Perf.	E-1530	
Duster	225 L6 CARB	E-1000	HP-3001
Duster	340 V8 3x2BBL.	E-1980	HP-3001
Duster	340 V8 4 BBL.	E-1530	HP-3001
Fury III	360 V8 CARB	E-1530	HP-3001
Roadrunner	383 V8 CARB	E-1530	HP-3001
Roadrunner	440 V8 CARB		HP-3001
Roadrunner	440 V8 CARB - exc. Hi Perf.	E-1980	HP-3001

## 1970 PLYMOUTH

Barracuda	318 V8 CARB	E-1100	HP-3001
Barracuda	383 V8 CARB	E-1530	HP-3001
Cuda	340 V8 CARB - 2 BBL	E-1980	
Cuda	340 V8 CARB - 4 BBL	E-1530	
Cuda	383 V8 CARB	E-1530	
Cuda	426 V8 CARB	E-1980	
Cuda	440 V8 CARB	E-1530	

\*Indicates 2 filters required

♦ - Intake kit available

Applications updated daily at [knfilters.com](http://knfilters.com) ®

# AIR & OIL FILTERS

# PLYMOUTH

Vehicle	Engine Type	Air Filter	Oil Filter
<b>1970 PLYMOUTH</b>			
Cuda	440 V8 CARB	E-1980	
Duster	318 V8 CARB	E-1100	HP-3001
Duster	340 V8 CARB	E-1530	HP-3001
Fury II	440 V8 CARB	E-1530	HP-3001
Fury III	440 V8 CARB	E-1530	HP-3001
GTX	426 V8 CARB	E-1980	HP-3001
GTX	440 V8 CARB		HP-3001
GTX	440 V8 CARB - exc. Hi Perf.	E-1980	HP-3001
GTX	440 V8 CARB - Hi Perf.	E-1530	HP-3001
Roadrunner	383 V8 CARB	E-1530	HP-3001
Roadrunner	426 V8 CARB	E-1980	HP-3001
Roadrunner	440 V8 3x2BBL.	E-1980	HP-3001
Roadrunner	440 V8 4 BBL.	E-1530	HP-3001
Superbird	440 V8 CARB - exc. Hi Perf.	E-1980	
Superbird	440 V8 CARB - Hi Perf.	E-1530	
<b>1969 PLYMOUTH</b>			
Barracuda	318 V8 CARB	E-1100	HP-3001
Barracuda	340 V8 CARB	E-1530	HP-3001
Barracuda	383 V8 CARB		HP-3001
Barracuda	383 V8 CARB - w/fresh air control	E-1980	HP-3001
Barracuda	383 V8 CARB - w/o snorkel	E-1530	HP-3001
Barracuda	383 V8 CARB - w/snorkel	E-1540	HP-3001
GTX	426 V8 CARB	E-1980	HP-3001
GTX	440 V8 CARB	E-1530	HP-3001
		E-1980	HP-3001
Roadrunner	383 V8 CARB		HP-3001
Roadrunner	383 V8 CARB - w/o snorkel	E-1530	HP-3001
Roadrunner	383 V8 CARB - w/snorkel	E-1540	HP-3001
Roadrunner	426 V8 CARB	E-1980	HP-3001
Roadrunner	440 V8 CARB		HP-3001
Roadrunner	440 V8 CARB - w/fresh air control	E-1980	HP-3001
Roadrunner	440 V8 CARB - w/o snorkel	E-1530	HP-3001
Roadrunner	440 V8 CARB - w/snorkel	E-1540	HP-3001
Satellite	383 V8 CARB		HP-3001
Satellite	383 V8 CARB - w/fresh air control	E-1980	HP-3001
<b>1968 PLYMOUTH</b>			
Barracuda	318 V8 CARB	E-1100	HP-3001
Barracuda	340 V8 CARB	E-1530	HP-3001
Barracuda	383 V8 CARB		HP-3001
Fury III	318 V8 CARB	E-1100	HP-3001
GTX	426 V8 CARB	E-1980	HP-3001
GTX	440 V8 CARB		HP-3001
GTX	440 V8 CARB - w/o snorkel	E-1530	HP-3001
GTX	440 V8 CARB - w/snorkel	E-1540	HP-3001
Roadrunner	383 V8 CARB		HP-3001
Roadrunner	383 V8 CARB - w/o snorkel	E-1530	HP-3001
Roadrunner	383 V8 CARB - w/snorkel	E-1540	HP-3001
Roadrunner	426 V8 CARB	E-1980	HP-3001
Satellite	383 V8 CARB		HP-3001
Valiant	225 L6 CARB	E-1000	HP-3001
<b>1967 PLYMOUTH</b>			
Barracuda	273 V8 CARB	E-1100	HP-3001
Barracuda	383 V8 CARB	E-1540	HP-3001
Belvedere	440 V8 CARB		HP-3001

Vehicle	Engine Type	Air Filter	Oil Filter
<b>1967 PLYMOUTH</b>			
Belvedere II	440 V8 CARB		HP-3001
GTX	426 V8 CARB	E-1980	HP-3001
GTX	440 V8 CARB		HP-3001
Valiant	225 L6 CARB	E-1000	HP-3001
<b>1966 PLYMOUTH</b>			
Barracuda	273 V8 CARB	E-1957	HP-3001
Satellite	426 V8 CARB	E-1540	HP-3001
Valiant	225 L6 CARB	E-1000	HP-3001
Valiant	273 V8 CARB	E-1957	HP-3001
<b>1965 PLYMOUTH</b>			
Barracuda	273 V8 CARB		HP-3001
Barracuda	273 V8 CARB - 4 BBL	E-1957	HP-3001
Belvedere II	383 V8 CARB	E-1540	HP-3001
Belvedere II	426 V8 CARB		HP-3001
Fury III	383 V8 CARB	E-1540	HP-3001
Valiant	225 L6 CARB	E-1000	HP-3001
<b>1964 PLYMOUTH</b>			
Valiant	170 L6 CARB	E-1000	HP-3001
Valiant	225 L6 CARB	E-1000	HP-3001
<b>2010 POLARIS</b>			
Hawkeye 300	300	PL-1004	KN-303
		PL-1004	KN-303C
Phoenix 200	200	PL-1004	
Ranger 4x4 EFI	500	PL-5008	
Ranger 6x6	800	PL-5008	
Ranger Crew	800	PL-5008	
Ranger HD	800	PL-5008	
Ranger RZR	800	PL-8007	
Ranger RZR S	800	PL-8007	
Ranger XP	800	PL-5008	
Scrambler 500 4x4	500	PL-1003	KN-303
		PL-1003	KN-303C
Sportsman 300	329	PL-1004	KN-303
		PL-1004	KN-303C
Sportsman 400 H.O.	400	PL-1003	KN-303
		PL-1003	KN-303C
Sportsman 500 EFI	496		KN-303
			KN-303C
Sportsman 500 EFI Touring	496		KN-303
			KN-303C
Sportsman 500 HO	500	PL-1003	KN-303
		PL-1003	KN-303C
Sportsman 500 HO Touring	500	PL-1003	
Sportsman 550	550	PL-1003	
Sportsman 550 EPs	550	PL-1003	
Sportsman 550 EPs Browning	550	PL-1003	
Sportsman 550 EPs Touring	550	PL-1003	
Sportsman 800 EFI	800	PL-1003	KN-198
Sportsman 800 EFI 6x6	800	PL-1003	
Sportsman 850	850	PL-1003	
Touring EPs			
Sportsman 850 XP	850	PL-5509	
Sportsman 850 XP EPs	850	PL-5509	
Sportsman 850 XP EPs Browning	850	PL-5509	
Sportsman X2 550	550	PL-1003	

\*Indicates 2 filters required      ♦ - Intake kit available      Applications updated daily at [knfilters.com](http://knfilters.com) ®

**Partial Listing - Complete List of Vehicles and Applications at [knfilters.com](http://knfilters.com)**

# POLARIS

# AIR & OIL FILTERS

Vehicle	Engine Type	Air Filter	Oil Filter	Vehicle	Engine Type	Air Filter	Oil Filter
<b>2010 POLARIS</b>				<b>2009 POLARIS</b>			
Sportsman XP 550 EFI	550	PL-5509		Sportsman 800 EFI Touring	769	PL-1003	KN-198
Sportsman XP 550 EFI w/EPS	550	PL-5509		Sportsman X2 500 EFI	500	PL-1003	KN-303
Sportsman XP 550 LE-Browning	550	PL-5509				PL-1003	KN-303C
Sportsman XP 850 EFI	850	PL-5509		Sportsman X2 800 EFI	769	PL-1003	KN-198
Sportsman XP 850 LE-Browning	850	PL-5509		Sportsman XP 550 EFI	550	PL-5509	
Sportsman XP 850 LE-Nuclear Sunset	850	PL-5509		Sportsman XP 550 EFI w/EPS	550	PL-5509	
Trail Blazer 330	330	PL-1003	KN-303	Sportsman XP 550 LE-Browning	550	PL-5509	
		PL-1003	KN-303C	Sportsman XP 850 EFI	850	PL-5509	
Trail Boss 330	330	PL-1003	KN-303	Sportsman XP 850 LE-Browning	850	PL-5509	
		PL-1003	KN-303C	Sportsman XP 850 LE-Nuclear Sunset	850	PL-5509	
<b>2009 POLARIS</b>				<b>2008 POLARIS</b>			
Hawkeye 300	300		KN-303	Hawkeye 300	300		KN-303
			KN-303C				KN-303C
Outlaw 450 MXR	448 - 1st Filter		KN-155	MVRS700 4x4	700	PL-5008	KN-198
Outlaw 450 MXR	448 - 2nd Filter		KN-157	MVRS800 4x4	800	PL-5008	KN-198
Outlaw 525	525 - 1st Filter		KN-155	Outlaw 450 MXR	448 - 1st Filter		KN-155
Outlaw 525	525 - 2nd Filter		KN-157	Outlaw 450 MXR	448 - 2nd Filter		KN-157
Outlaw 525 IRS	525	PL-5207		Outlaw 525	525 - 1st Filter		KN-155
Outlaw 525 IRS	525 - 1st Filter	PL-5207	KN-155	Outlaw 525	525 - 2nd Filter		KN-157
Outlaw 525 IRS	525 - 2nd Filter	PL-5207	KN-157	Outlaw 525 IRS	525	PL-5207	
Outlaw 525 S	510 - 1st Filter		KN-155	Outlaw 525 IRS	525 - 1st Filter	PL-5207	KN-155
Outlaw 525 S	510 - 2nd Filter		KN-157	Outlaw 525 IRS	525 - 2nd Filter	PL-5207	KN-157
Phoenix 200	200	PL-1004		Outlaw 525 S	510 - 1st Filter		KN-155
Ranger 4x4 EFI	500	PL-5008	KN-303	Outlaw 525 S	510 - 2nd Filter		KN-157
		PL-5008	KN-303C	Phoenix 200	200	PL-1004	
Ranger 6x6 EFI	700	PL-5008	KN-198	Ranger 2x4	500	PL-5008	KN-303
Ranger Crew	700	PL-5008	KN-198			PL-5008	KN-303C
Ranger HD	700	PL-5008	KN-198	Ranger 4x4 EFI	500	PL-5008	KN-303
Ranger RZR	800	PL-8007	KN-198			PL-5008	KN-303C
Ranger RZR S	800	PL-8007	KN-198	Ranger 6x6 EFI	700	PL-5008	KN-198
Ranger XP	700	PL-5008	KN-198	Ranger Crew	700	PL-5008	KN-198
Scrambler 500 4x4	496	PL-1003	KN-303	Ranger RZR	800	PL-8007	KN-198
		PL-1003	KN-303C	Ranger XP	700	PL-5008	KN-198
Sportsman 300	329	PL-1004	KN-303	Scrambler 500 4x4	496	PL-1003	KN-303
		PL-1004	KN-303C			PL-1003	KN-303C
Sportsman 300 LE	329	PL-1004	KN-303	Sportsman 300	329	PL-1004	KN-303
		PL-1004	KN-303C			PL-1004	KN-303C
Sportsman 400 H.O.	455	PL-1003	KN-303	Sportsman 300 LE	329	PL-1004	KN-303
		PL-1003	KN-303C			PL-1004	KN-303C
Sportsman 500 EFI	496	PL-1003	KN-303	Sportsman 400 H.O.	455	PL-1003	KN-303
		PL-1003	KN-303C			PL-1003	KN-303C
Sportsman 500 Efi LE	496	PL-1003	KN-303	Sportsman 500 6x6	496	PL-1003	KN-303
		PL-1003	KN-303C			PL-1003	KN-303C
Sportsman 500 EFI Touring	496	PL-1003	KN-303	Sportsman 500 EFI	496	PL-1003	KN-303
		PL-1003	KN-303C			PL-1003	KN-303C
Sportsman 500 Efi X2	496	PL-1003	KN-303	Sportsman 500 Efi LE	496	PL-1003	KN-303
		PL-1003	KN-303C			PL-1003	KN-303C
Sportsman 500 HO	496	PL-1003	KN-303	Sportsman 500 EFI Touring	496	PL-1003	KN-303
		PL-1003	KN-303C			PL-1003	KN-303C
Sportsman 800 EFI	800		KN-198				
Sportsman 800 EFI 6x6	800	PL-1003	KN-198			PL-1003	KN-303C
Sportsman 800 EFI HO	769	PL-1003	KN-198				

\*Indicates 2 filters required

◆ - Intake kit available

Applications updated daily at [knfilters.com](http://knfilters.com) ®



# AIR & OIL FILTERS

# POLARIS

Vehicle	Engine Type	Air Filter	Oil Filter	Vehicle	Engine Type	Air Filter	Oil Filter
<b>2008 POLARIS</b>				<b>2007 POLARIS</b>			
Sportsman 500 Efi Touring Le	496	PL-1003	KN-303	Sportsman X2 500 EFI	500	PL-1003	KN-303
		PL-1003	KN-303C			PL-1003	KN-303C
Sportsman 500 Efi X2	496	PL-1003	KN-303	Sportsman X2 800 EFI	769	PL-1003	KN-198
		PL-1003	KN-303C				
Sportsman 500 HO	496	PL-1003	KN-303	Trail Boss 330	325	PL-1005	KN-303
		PL-1003	KN-303C			PL-1005	KN-303C
Sportsman 800 EFI	800		KN-198	<b>2006 POLARIS</b>			
Sportsman 800 EFI HO	769	PL-1003	KN-198	Hawkeye 300 2x4	300	PL-1004	KN-303
Sportsman 800 EFI Touring	769	PL-1003	KN-198			PL-1004	KN-303C
Sportsman X2 500 EFI	500	PL-1003	KN-303	Hawkeye 300 4x4	329	PL-1004	KN-303
		PL-1003	KN-303C			PL-1004	KN-303C
Sportsman X2 700 EFI	684	PL-1003	KN-198	Magnum 330 4x4	325	PL-1005	KN-303
Sportsman X2 800 EFI	769		KN-198			PL-1005	KN-303C
Sportsman X2 800 EFI LE	800	PL-1003	KN-198	Outlaw 500	496	PL-5006	KN-112
Trail Blazer 330	325	PL-1005	KN-303	Phoenix 200	200	PL-1004	
		PL-1005	KN-303C	Predator 500	496	PL-5003	KN-112
Trail Boss 330	325	PL-1005	KN-303	Predator 500 TLD	496	PL-5003	KN-112
		PL-1005	KN-303C	Ranger 2x4	500	PL-5008	KN-303
<b>2007 POLARIS</b>						PL-5008	KN-303C
Hawkeye 300 2x4	300	PL-1004	KN-303	Ranger 4x4	500	PL-5008	KN-303
		PL-1004	KN-303C	Ranger 4x4 EFI	500	PL-5008	KN-303
Hawkeye 300 4x4	300	PL-1004	KN-303	Ranger 4x4 EFI	500	PL-5008	KN-303
		PL-1004	KN-303C	Ranger 6x6 EFI	700	PL-5008	KN-198
Outlaw 500	500	PL-5006	KN-112	Ranger XP	700	PL-5008	KN-198
Outlaw 525	525	PL-5207		Sawtooth	200	PL-1004	
Outlaw 525 - 1st Filter	525	PL-5207	KN-155	Scrambler 500 4x4	496	PL-1003	KN-303
Outlaw 525 - 2nd Filter	525	PL-5207	KN-157			PL-1003	KN-303C
Phoenix 200	200	PL-1004		Sportsman 450	455	PL-1003	KN-303
Predator 500	496	PL-5003	KN-112			PL-1003	KN-303C
Ranger 2x4	500	PL-5008	KN-303	Sportsman 500 6x6	496	PL-1003	KN-303
		PL-5008	KN-303C			PL-1003	KN-303C
Ranger 4x4 EFI	500	PL-5008	KN-303	Sportsman 500 EFI	496	PL-1003	KN-303
		PL-5008	KN-303C			PL-1003	KN-303C
Ranger 6x6 EFI	700	PL-5008	KN-198	Sportsman 500 Efi X2	496	PL-1003	KN-303
Ranger XP	700	PL-5008	KN-198			PL-1003	KN-303C
Sawtooth	200	PL-1004		Sportsman 500 HO	500	PL-1003	KN-303
Scrambler 500 4x4	496	PL-1003	KN-303			PL-1003	KN-303C
		PL-1003	KN-303C	Sportsman 700 EFI	700	PL-1003	KN-198
Sportsman 450	455	PL-1003	KN-303	Sportsman 700 Twin	700	PL-1003	KN-198
		PL-1003	KN-303C	Sportsman 700 Twin EFI	700		KN-198
Sportsman 500 6x6	496	PL-1003	KN-303	Sportsman 800 EFI	800	PL-1003	KN-198
		PL-1003	KN-303C	Sportsman X2	500	PL-1003	KN-303
Sportsman 500 6x6 MV	500	PL-1003	KN-303			PL-1003	KN-303C
		PL-1003	KN-303C	Trail Blazer 250	244	PL-1004	
Sportsman 500 EFI	496	PL-1003	KN-303	Trail Boss 330	325	PL-1005	KN-303
		PL-1003	KN-303C			PL-1005	KN-303C
Sportsman 500 Efi X2	496	PL-1003	KN-303	<b>2005 POLARIS</b>			
		PL-1003	KN-303C	ATP330	332	PL-1005	KN-303
Sportsman 500 HO	500		KN-303C			PL-1005	KN-303C
			KN-303C	ATP500 HO	496	PL-1003	KN-303
Sportsman 700 EFI	684	PL-1003	KN-198			PL-1003	KN-303C
Sportsman 700 MV	700	PL-1003	KN-198	Magnum 330 2x4	330	PL-1005	KN-303
Sportsman 700 Twin EFI	700		KN-198			PL-1005	KN-303C
Sportsman 800 EFI	800	PL-1003	KN-198	Magnum 330 4x4	325	PL-1005	KN-303
						PL-1005	KN-303C
				Phoenix 200	200	PL-1004	
				Predator 500	496	PL-5003	KN-112
				Predator 500 TLD	500	PL-5003	KN-112
				Ranger 2x4	500	PL-5008	KN-303
						PL-5008	KN-303C

\*Indicates 2 filters required

◆ - Intake kit available

Applications updated daily at [knfilters.com](http://knfilters.com) ®

**Partial Listing - Complete List of Vehicles and Applications at [knfilters.com](http://knfilters.com)**

# POLARIS

# AIR & OIL FILTERS

Vehicle	Engine Type	Air Filter	Oil Filter	Vehicle	Engine Type	Air Filter	Oil Filter
<b>2005 POLARIS</b>				<b>2004 POLARIS</b>			
Ranger 4x4	500	PL-5008	KN-303	Sportsman 700 Twin	701	PL-1003	
		PL-5008	KN-303C	Sportsman 700 Twin	701 - Built After 10-8-04	PL-1003	KN-198
Ranger 6x6	500	PL-5008	KN-303	Sportsman 700 Twin	701 - Built before 10-8-04	PL-1003	KN-196
Ranger XP	700	PL-5008	KN-198	Sportsman 700 Twin	700	PL-1003	KN-196
Scrambler 500 4x4	496	PL-1003	KN-303	Sportsman 700 Twin	700	PL-1003	KN-196
		PL-1003	KN-303C	Sportsman 700 Twin	700	PL-1003	KN-196
Sportsman 400 4x4	427	PL-1003	KN-303	Mossy Oak			
		PL-1003	KN-303C	Trail Blazer 250	244	PL-1004	
Sportsman 500 6x6	496	PL-1003	KN-303	Trail Boss 330	325	PL-1005	KN-303
		PL-1003	KN-303C			PL-1005	KN-303C
Sportsman 500 HO	500	PL-1003	KN-303	<b>2003 POLARIS</b>			
		PL-1003	KN-303C	Magnum 330 2x4	330	PL-1005	KN-303
Sportsman 600 Twin	596	PL-1003				PL-1005	KN-303C
Sportsman 600 Twin	596 - Built After 10-8-04	PL-1003	KN-198	Magnum 330 4x4	325	PL-1005	KN-303
						PL-1005	KN-303C
Sportsman 700 Twin	701	PL-1003		Magnum 500 4x4	500	PL-1003	KN-303
Sportsman 700 Twin	701 - Built After 10-8-04	PL-1003	KN-198			PL-1003	KN-303C
Sportsman 700 Twin	700	PL-1003		Predator 500	496	PL-5003	KN-112
EFI				Ranger 2x4	425	PL-5008	KN-303
Sportsman 700 Twin	700 - Built After 10-8-04	PL-1003	KN-198			PL-5008	KN-303C
EFI				Ranger 4x4	500	PL-5008	KN-303
Sportsman 800 Twin	794		KN-198			PL-5008	KN-303C
Sportsman 800 Twin	794	PL-1003	KN-198	Scrambler 500 4x4	496	PL-1003	KN-303
EFI						PL-1003	KN-303C
Sportsman MV7	700	PL-1003	KN-198	Sportsman 400 4x4	427	PL-1003	KN-303
Trail Blazer 250	244	PL-1004				PL-1003	KN-303C
Trail Boss 330	325	PL-1005	KN-303	Sportsman 500 6x6	496	PL-1003	KN-303
		PL-1005	KN-303C			PL-1003	KN-303C
<b>2004 POLARIS</b>				Sportsman 500 HO	500	PL-1003	KN-303
ATP330	332	PL-1005	KN-303	4x4			
		PL-1005	KN-303C			PL-1003	KN-303C
ATP500 HO	496	PL-1003	KN-303	Sportsman 600 4x4	603	PL-1003	KN-196
		PL-1003	KN-303C	Sportsman 700 4x4	684	PL-1003	KN-196
Magnum 330 2x4	330	PL-1005	KN-303	Trail Blazer 250	281	PL-1004	
		PL-1005	KN-303C	Trail Blazer 400 2x4	400	PL-1002	
Magnum 330 4x4	325	PL-1005	KN-303	Trail Boss 330	334	PL-1005	KN-303
		PL-1005	KN-303C			PL-1005	KN-303C
Magnum 330 4x4	330	PL-1005	KN-303	<b>2002 POLARIS</b>			
Mossy Oak				Magnum 325 2x4	325	PL-1005	KN-303
		PL-1005	KN-303C			PL-1005	KN-303C
Predator 500	496	PL-5003	KN-112	Magnum 325 4x4	325	PL-1005	KN-303
Ranger 2x4	500	PL-5008	KN-303			PL-1005	KN-303C
		PL-5008	KN-303C	Magnum 500 4x4	496	PL-1003	KN-303
Ranger 4x4	500	PL-5008	KN-303			PL-1003	KN-303C
		PL-5008	KN-303C	Ranger 2x4	425		KN-303
Ranger 6x6	500	PL-5008	KN-303				KN-303C
		PL-5008	KN-303C	Scrambler 400 2x4	400	PL-1002	
Scrambler 500 4x4	496	PL-1003	KN-303	Scrambler 400 4x4	377	PL-1002	
		PL-1003	KN-303C	Scrambler 500 2x4	500	PL-1003	KN-303
Sportsman 400 4x4	427	PL-1003	KN-303			PL-1003	KN-303C
		PL-1003	KN-303C	Scrambler 500 4x4	500	PL-1003	KN-303
Sportsman 500 6x6	496	PL-1003	KN-303			PL-1003	KN-303C
		PL-1003	KN-303C	Sportsman 400 4x4	427	PL-1003	KN-303
Sportsman 500 HO	500	PL-1003	KN-303			PL-1003	KN-303C
		PL-1003	KN-303C	Sportsman 500	500	PL-1003	KN-303
Sportsman 500 HO	500	PL-1003	KN-303			PL-1003	KN-303C
Mossy Oak				Sportsman 500 6x6	496	PL-1003	KN-303
		PL-1003	KN-303C			PL-1003	KN-303C
Sportsman 600 Twin	596	PL-1003		Sportsman 500 HO	500	PL-1003	KN-303
Sportsman 600 Twin	596 - Built After 10-2-03	PL-1003	KN-198	4x4			
						PL-1003	KN-303C
Sportsman 600 Twin	596 - Built Before 10-2-03	PL-1003	KN-196				

\*Indicates 2 filters required

◆ - Intake kit available

Applications updated daily at [knfilters.com](http://knfilters.com) ®

# AIR & OIL FILTERS

# POLARIS

Vehicle	Engine Type	Air Filter	Oil Filter	Vehicle	Engine Type	Air Filter	Oil Filter
<b>2002 POLARIS</b>				<b>2000 POLARIS</b>			
Sportsman 700 4x4	684	PL-1003	KN-196	Magnum 325 2x4	325	PL-1003	KN-303C
Trail Blazer 250	244	PL-1004		Magnum 325 4x4	325	PL-1003	KN-303
Trail Blazer 250	281	PL-1004				PL-1003	KN-303C
Trail Boss 325 2x4	325	PL-1005	KN-303	Magnum 500 4x4	496	PL-1003	KN-303
		PL-1005	KN-303C			PL-1003	KN-303C
Xpedition	425	PL-1003	KN-303	Ranger 6x6	500	PL-5008	KN-303
		PL-1003	KN-303C			PL-5008	KN-303C
Xpedition 325	325	PL-1003	KN-303	Scrambler 400 2x4	400	PL-1002	
		PL-1003	KN-303C	Scrambler 400 4x4	377	PL-1002	
Xplorer 250 4x4	244	PL-1004		Scrambler 500 4x4	496	PL-1003	KN-303
Xplorer 400L	400	PL-1004				PL-1003	KN-303C
<b>2001 POLARIS</b>				Sportsman 335	334	PL-1003	KN-303
Diesel 4x4	455	PL-1003	KN-303			PL-1003	KN-303C
		PL-1003	KN-303C	Sportsman 500	496	PL-1003	KN-303
Magnum 325 2x4	325		KN-303			PL-1003	KN-303C
			KN-303C	Sportsman 500 6x6	496	PL-1003	KN-303
Magnum 325 2x4	325 - Built After 1-8-01	PL-1005	KN-303	Sportsman 500 HO	500	PL-1003	KN-303C
Magnum 325 2x4	325 - Built Before 1-8-01	PL-1003	KN-303				KN-303
Magnum 325 4x4	325		KN-303	Trail Blazer 250	244	PL-1001	
			KN-303C	Trail Boss 325 2x4	325	PL-1003	KN-303
Magnum 325 4x4	325 - Built After 1-8-01	PL-1005	KN-303			PL-1003	KN-303C
Magnum 325 4x4	325 - Built Before 1-8-01	PL-1003	KN-303	Worker 500	500		KN-303
Magnum 500 4x4	496	PL-1003	KN-303				KN-303C
		PL-1003	KN-303C	Xpedition	427	PL-1003	KN-303
Ranger 2x4	425	PL-1003	KN-303			PL-1003	KN-303C
		PL-1003	KN-303C	Xpedition 325	325	PL-1003	KN-303
Scrambler 400 2x4	400	PL-1002				PL-1003	KN-303C
Scrambler 400 4x4	377	PL-1002		Xplorer 250 4x4	244	PL-1001	
Scrambler 500 4x4	496	PL-1003	KN-303	Xplorer 400L	377	PL-1002	KN-303
		PL-1003	KN-303C			PL-1002	KN-303C
Sportsman 335	334	PL-1003	KN-303	<b>1999 POLARIS</b>			
		PL-1003	KN-303C	Big Boss 6x6	496	PL-1002	KN-303
Sportsman 400 2x4	400	PL-1003	KN-303			PL-1002	KN-303C
		PL-1003	KN-303C	Diesel 4x4	455	PL-1003	KN-303
Sportsman 400 4x4	427	PL-1003	KN-303			PL-1003	KN-303C
		PL-1003	KN-303C	Magnum 500 4x4	496	PL-1003	KN-303
Sportsman 500	496	PL-1003	KN-303			PL-1003	KN-303C
		PL-1003	KN-303C	Ranger 6x6	500		KN-303
Sportsman 500 6x6	496	PL-1003	KN-303				KN-303C
		PL-1003	KN-303C	Scrambler 400 4x4	377	PL-1002	
Sportsman 500 HO	500		KN-303	Scrambler 500 4x4	496	PL-1003	KN-303
			KN-303C			PL-1003	KN-303C
Trail Blazer 250	244	PL-1004		Sport 400 2x4	400	PL-1002	
Trail Boss 325 2x4	325		KN-303	Sportsman 335	334	PL-1003	KN-303
			KN-303C			PL-1003	KN-303C
Trail Boss 325 2x4	325 - Built After 12-11-00	PL-1005	KN-303	Sportsman 500	496	PL-1003	KN-303
Trail Boss 325 2x4	325 - Built Before 12-11-00	PL-1003	KN-303			PL-1003	KN-303C
Worker 500	500		KN-303	Trail Blazer 250	244	PL-1001	
			KN-303C	Trail Boss 250	244	PL-1001	
Xpedition	427	PL-1003	KN-303	Worker 335	335	PL-1003	KN-303
		PL-1003	KN-303C			PL-1003	KN-303C
Xpedition 325	325	PL-1003	KN-303	Worker 500	500	PL-1003	KN-303
		PL-1003	KN-303C			PL-1003	KN-303C
Xplorer 250 4x4	244	PL-1004		Xplorer 300 4x4	281	PL-1001	
Xplorer 400L	377	PL-1004	KN-303	Xplorer 400L	377	PL-1002	KN-303
		PL-1004	KN-303C			PL-1002	KN-303C
<b>2000 POLARIS</b>				Xpress 300	281	PL-1001	
Diesel 4x4	455	PL-1003	KN-303	<b>1998 POLARIS</b>			
		PL-1003	KN-303C	Big Boss 6x6	496	PL-1002	KN-303
Magnum 325 2x4	325	PL-1003	KN-303			PL-1002	KN-303C
				Magnum 425 2x4	425	PL-1002	KN-303
						PL-1002	KN-303C

\*Indicates 2 filters required

◆ - Intake kit available

Applications updated daily at [knfilters.com](http://knfilters.com) ®

**Partial Listing - Complete List of Vehicles and Applications at [knfilters.com](http://knfilters.com)**

# POLARIS

# AIR & OIL FILTERS

Vehicle	Engine Type	Air Filter	Oil Filter
<b>1998 POLARIS</b>			
Magnum 425 4x4	427	PL-1002	KN-303
		PL-1002	KN-303C
Scrambler 400 4x4	377	PL-1002	
Scrambler 500 4x4	496	PL-1003	KN-303
		PL-1003	KN-303C
Sportsman 500	496	PL-1003	KN-303
		PL-1003	KN-303C
Trail Blazer 250	244	PL-1001	
Trail Boss 250	244	PL-1001	
Xplorer 300 4x4	281	PL-1001	
Xplorer 400L	377	PL-1001	KN-303
		PL-1001	KN-303C
Xpress 300	281	PL-1001	

<b>1997 POLARIS</b>			
Big Boss 6x6 400L	377	PL-1001	
Magnum 425 2x4	425	PL-1002	KN-303
		PL-1002	KN-303C
Magnum 425 4x4	427	PL-1002	KN-303
		PL-1002	KN-303C
Magnum 425 6x6	425	PL-1002	KN-303
		PL-1002	KN-303C
Scrambler 400 4x4	377	PL-1002	
Scrambler 500 4x4	496	PL-1003	KN-303
		PL-1003	KN-303C
Sport 400L 2x4	400	PL-1002	
Sportsman 500	496	PL-1003	KN-303
		PL-1003	KN-303C
Trail Blazer 250	244	PL-1001	
Trail Boss 250	244	PL-1001	
Xplorer 300 4x4	281	PL-1001	
Xplorer 400L	377	PL-1001	KN-303
		PL-1001	KN-303C
Xplorer 500 4x4	496	PL-1003	KN-303
		PL-1003	KN-303C
Xpress 300	281	PL-1001	
Xpress 400L	377	PL-1002	

<b>1996 POLARIS</b>			
Big Boss 6x6 400L	377	PL-1001	
Magnum 425 2x4	425	PL-1002	KN-303
		PL-1002	KN-303C
Magnum 425 4x4	427	PL-1002	KN-303
		PL-1002	KN-303C
Magnum 425 6x6	425	PL-1002	KN-303
		PL-1002	KN-303C
Scrambler 400 4x4	377	PL-1002	
Scrambler 500	496		KN-303
			KN-303C
Sport 400L 2x4	400	PL-1002	
Sportsman 400 4x4	377	PL-1001	
Sportsman 500	496	PL-1003	KN-303
		PL-1003	KN-303C
Trail Boss 250	244	PL-1001	
Xplorer 300 4x4	281	PL-1001	
Xplorer 400L	377	PL-1001	KN-303
		PL-1001	KN-303C
Xpress 300	281	PL-1001	
Xpress 400L	377	PL-1002	

<b>1995 POLARIS</b>			
Big Boss 6x6 400L	377	PL-1001	
Magnum 425 4x4	427	PL-1002	KN-303
		PL-1002	KN-303C
Sport 400L 2x4	400	PL-1001	

Vehicle	Engine Type	Air Filter	Oil Filter
<b>1995 POLARIS</b>			
Sportsman 400 4x4	377	PL-1001	
Trail Boss 250	244	PL-1001	

<b>1994 POLARIS</b>			
Sport 400L 2x4	400	PL-1001	
Sportsman 400 4x4	377	PL-1001	
Trail Boss 250	244	PL-1001	

<b>1993 POLARIS</b>			
Trail Boss 250	244	PL-1001	

<b>1992 POLARIS</b>			
Trail Boss 250	244	PL-1001	
Trail Boss 350 2x4	350	PL-1001	

<b>1991 POLARIS</b>			
Trail Boss 250	244	PL-1001	

<b>1990 POLARIS</b>			
Trail Blazer 250	250	PL-1001	
Trail Boss 250	244	PL-1001	

<b>2010 PONTIAC</b>			
G3	1.6L L4 F/I	33-2320	
G5	2.2L L4 F/I	33-2311	
G6	2.4L L4 F/I		HP-7000
G6	2.4L L4 F/I - OEM 10366901	33-2315	HP-7000
G6	2.4L L4 F/I - OEM 22676970	33-2296	HP-7000
G6	3.5L V6 F/I		HP-2006
G6	3.5L V6 F/I - OEM 10366901	33-2315	HP-2006
G6	3.5L V6 F/I - OEM 22676970	33-2296	HP-2006
G6	3.6L V6 F/I	33-2296	HP-1017
G6	3.9L V6 F/I	33-2315	HP-2006
Matiz G2	1.0L L4 F/I		HP-1003
Solstice	2.0L L4 F/I	33-2369	
Solstice	2.4L L4 F/I	33-2349	
Vibe	1.8L L4 F/I	33-2360	HP-7021
Vibe	2.4L L4 F/I		HP-1003

<b>2009 PONTIAC</b>			
G3	1.6L L4 F/I	33-2320	
G5	2.2L L4 F/I	33-2311	
G6	2.4L L4 F/I		HP-7000
G6	2.4L L4 F/I - OEM 10366901	33-2315	HP-7000
G6	2.4L L4 F/I - OEM 22676970	33-2296	HP-7000
G6	3.5L V6 F/I		HP-2006
G6	3.5L V6 F/I - OEM 10366901	33-2315 ♦	HP-2006
G6	3.5L V6 F/I - OEM 22676970	33-2296 ♦	HP-2006
G6	3.6L V6 F/I	33-2296	HP-1017
G6	3.9L V6 F/I	33-2315	HP-2006
G8	3.6L V6 F/I	33-2919 ♦	HP-7003
G8	6.0L V8 F/I	33-2919 ♦	HP-1017
G8	6.2L V8 F/I	33-2919	HP-1017
Matiz G2	1.0L L4 F/I		HP-1003
Montana	3.9L V6 F/I		HP-2006
Solstice	2.0L L4 F/I	33-2369	HP-7000
Solstice	2.4L L4 F/I	33-2349 ♦	HP-7000
Torrent	3.4L V6 F/I	33-2296	HP-1001
Torrent	3.6L V6 F/I		HP-1017
Vibe	1.8L L4 F/I	33-2360	HP-7021
Vibe	2.4L L4 F/I	33-2326	HP-1003

\*Indicates 2 filters required

♦ - Intake kit available

Applications updated daily at [knfilters.com](http://knfilters.com) ®

# AIR & OIL FILTERS

# PONTIAC

Vehicle	Engine Type	Air Filter	Oil Filter	Vehicle	Engine Type	Air Filter	Oil Filter
<b>2008 PONTIAC</b>				<b>2005 PONTIAC</b>			
G3	1.6L L4 F/I		HP-1001	Bonneville	3.8L V6 F/I	33-2141-1	HP-1001
G5	2.2L L4 F/I	33-2311	HP-7000	Bonneville	4.6L V8 F/I	33-2063-1	HP-2006
G5	2.4L L4 F/I	33-2311	HP-7000	G6	3.5L V6 F/I	33-2315 ♦	HP-1001
G6	2.4L L4 F/I		HP-7000	Grand Am	2.2L L4 F/I	33-2121-1	HP-7000
G6	2.4L L4 F/I - OEM 10366901	33-2315	HP-7000	Grand Am	3.4L V6 F/I	33-2121-1	HP-1001
G6	2.4L L4 F/I - OEM 22676970	33-2296	HP-7000	Grand Prix	3.8L V6 F/I	33-2141-1 ♦	HP-1001
G6	3.5L V6 F/I		HP-2006	Grand Prix	5.3L V8 F/I	33-2334	HP-1007
G6	3.5L V6 F/I - OEM 10366901	33-2315 ♦	HP-2006	GTO	6.0L V8 F/I	33-2314 ♦	HP-1007
G6	3.5L V6 F/I - OEM 22676970	33-2296 ♦	HP-2006	Matiz G2	1.0L L4 F/I		HP-1003
G6	3.6L V6 F/I	33-2296	HP-1017	Montana	3.4L V6 F/I	33-2156	HP-1001
G6	3.9L V6 F/I	33-2315	HP-2006	Montana	3.5L V6 F/I	33-2156	HP-1001
G8	3.6L V6 F/I	33-2919 ♦	HP-7003	Pursuit	2.2L L4 F/I		HP-7000
G8	6.0L V8 F/I	33-2919 ♦	HP-1017	Sunfire	2.2L L4 F/I	33-2143	HP-7000
Grand Prix	3.8L V6 F/I	33-2141-1	HP-1001	Vibe	1.8L L4 F/I	33-2252	HP-1003
Grand Prix	5.3L V8 F/I	33-2334 ♦	HP-1017	Vibe GT	1.8L L4 F/I	33-2252 ♦	HP-1003
Matiz G2	1.0L L4 F/I		HP-1003	Wave	1.6L L4 F/I		HP-1001
Montana	3.9L V6 F/I		HP-2006	<b>2004 PONTIAC</b>			
Solstice	2.0L L4 F/I	33-2369 ♦	HP-7000	Aztek	3.4L V6 F/I	33-2156	HP-1001
Solstice	2.4L L4 F/I	33-2349 ♦	HP-7000	Bonneville	3.8L V6 F/I	33-2141-1	HP-1001
Torrent	3.4L V6 F/I	33-2296	HP-1001	Bonneville	4.6L V8 F/I	33-2063-1	HP-2006
Torrent	3.6L V6 F/I	33-2296	HP-1017	Grand Am	2.2L L4 F/I	33-2121-1	HP-7000
Vibe	1.8L L4 F/I	33-2252	HP-1003	Grand Am	3.4L V6 F/I	33-2121-1	HP-1001
Wave	1.6L L4 F/I	33-2320	HP-1001	Grand Prix	3.8L V6 F/I	33-2141-1 ♦	HP-1001
<b>2007 PONTIAC</b>				GTO	5.7L V8 F/I	33-2289 ♦	HP-1007
G3	1.6L L4 F/I		HP-1001	Montana	3.4L V6 F/I	33-2156	HP-1001
G5	2.2L L4 F/I	33-2311	HP-7000	Sunfire	2.2L L4 F/I	33-2143 ♦	HP-7000
G5	2.4L L4 F/I	33-2311	HP-7000	Sunfire Ecotec	2.2L L4 F/I	33-2143 ♦	HP-7000
G6	2.4L L4 F/I	33-2315	HP-7000	Vibe	1.8L L4 F/I	33-2252 ♦	HP-1003
G6	3.5L V6 F/I	33-2315 ♦	HP-2006	Vibe GT	1.8L L4 F/I	33-2252 ♦	HP-1003
G6	3.6L V6 F/I	33-2296	HP-1017	<b>2003 PONTIAC</b>			
G6	3.9L V6 F/I	33-2315	HP-2006	Aztek	3.4L V6 F/I	33-2156	HP-1001
Grand Prix	3.8L V6 F/I	33-2141-1	HP-1001	Bonneville	3.8L V6 F/I	33-2141-1	HP-1001
Grand Prix	5.3L V8 F/I	33-2334 ♦	HP-1017	Grand Am	2.2L L4 F/I	33-2121-1	HP-7000
Matiz G2	1.0L L4 F/I		HP-1003	Grand Am	3.4L V6 F/I	33-2121-1	HP-1001
Montana	3.9L V6 F/I	33-2156	HP-2006	Grand Prix	3.1L V6 F/I	33-2141-1	HP-1001
Solstice	2.0L L4 F/I	33-2369	HP-7000	Grand Prix	3.8L V6 F/I	33-2141-1 ♦	HP-1001
Solstice	2.4L L4 F/I	33-2349 ♦	HP-7000	Montana	3.4L V6 F/I	33-2156	HP-1001
Torrent	3.4L V6 F/I	33-2296	HP-1001	Sunfire Ecotec	2.2L L4 F/I	33-2143 ♦	HP-7000
Vibe	1.8L L4 F/I	33-2252	HP-1003	Vibe	1.8L L4 F/I	33-2252 ♦	HP-1003
Wave	1.6L L4 F/I		HP-1001	Vibe GT	1.8L L4 F/I	33-2252 ♦	HP-1003
<b>2006 PONTIAC</b>				<b>2002 PONTIAC</b>			
G3	1.6L L4 F/I		HP-1001	Aztek	3.4L V6 F/I	33-2156	HP-1001
G6	2.4L L4 F/I	33-2315	HP-7000	Bonneville	3.8L V6 F/I	33-2141-1	HP-1001
G6	3.5L V6 F/I	33-2315 ♦	HP-1001	Firebird	3.8L V6 F/I	33-2118 ♦	HP-1001
G6	3.9L V6 F/I	33-2315	HP-2006	Firebird	5.7L V8 F/I	33-2118 ♦	HP-1007
Grand Prix	3.8L V6 F/I	33-2141-1	HP-1001	Grand Am	2.2L L4 F/I	33-2121-1	HP-7000
Grand Prix	5.3L V8 F/I	33-2334 ♦	HP-1007	Grand Am	3.4L V6 F/I	33-2121-1	HP-1001
GTO	6.0L V8 F/I	33-2314 ♦	HP-1007	Grand Prix	3.1L V6 F/I	33-2141-1	HP-1001
Matiz G2	1.0L L4 F/I		HP-1003	Grand Prix	3.8L V6 F/I	33-2141-1 ♦	HP-1001
Montana	3.5L V6 F/I	33-2156	HP-1001	Montana	3.4L V6 F/I	33-2156	HP-1001
Montana	3.9L V6 F/I	33-2156	HP-2006	Sunfire	2.2L L4 F/I	33-2143	HP-1001
Pursuit	2.2L L4 F/I		HP-7000	Sunfire	2.4L L4 F/I	33-2143	HP-1007
Pursuit	2.4L L4 F/I		HP-7000	Sunfire Ecotec	2.2L L4 F/I	33-2143 ♦	HP-7000
Solstice	2.4L L4 F/I	33-2349 ♦	HP-7000	<b>2001 PONTIAC</b>			
Torrent	3.4L V6 F/I	33-2296	HP-1001	Aztek	3.4L V6 F/I	33-2156	HP-1001
Vibe	1.8L L4 F/I	33-2252	HP-1003	Bonneville	3.8L V6 F/I	33-2141-1	HP-1001
Vibe GT	1.8L L4 F/I	33-2252 ♦	HP-1003	Firebird	3.8L V6 F/I	33-2118 ♦	HP-1001
Wave	1.6L L4 F/I	33-2320	HP-1001	Firebird	5.7L V8 F/I	33-2118 ♦	HP-1007
<b>2005 PONTIAC</b>				Grand Am	2.4L L4 F/I	33-2121-1	HP-1007
Aztek	3.4L V6 F/I	33-2156	HP-1001	Grand Am	3.4L V6 F/I	33-2121-1	HP-1001
				Grand Prix	3.1L V6 F/I	33-2141-1	HP-1001
				Grand Prix	3.8L V6 F/I	33-2141-1 ♦	HP-1001

\*Indicates 2 filters required

♦ - Intake kit available

Applications updated daily at [knfilters.com](http://knfilters.com) ®

Partial Listing - Complete List of Vehicles and Applications at [knfilters.com](http://knfilters.com)

# PONTIAC

# AIR & OIL FILTERS

Vehicle	Engine Type	Air Filter	Oil Filter
<b>2001 PONTIAC</b>			
Montana	3.4L V6 F/I	33-2156	HP-1001
Sunfire	2.2L L4 F/I	33-2143	HP-1001
Sunfire	2.4L L4 F/I	33-2143	HP-1007

<b>2000 PONTIAC</b>			
Bonneville	3.8L V6 F/I	33-2141-1	HP-1001
Firebird	3.8L V6 F/I	33-2118 ♦	HP-1001
Firebird	5.7L V8 F/I	33-2118 ♦	HP-1007
Firefly	1.0L L3 F/I		HP-1002
Firefly	1.3L L4 F/I		HP-1002
Grand Am	2.4L L4 F/I	33-2121-1	HP-1007
Grand Am	3.4L V6 F/I	33-2121-1	HP-1001
Grand Prix	3.1L V6 F/I	33-2141-1	HP-1001
Grand Prix	3.8L V6 F/I	33-2141-1 ♦	HP-1001
Montana	3.4L V6 F/I	33-2156	HP-1001
Sunfire	2.2L L4 F/I	33-2143	HP-1001
Sunfire	2.4L L4 F/I	33-2143	HP-1007

<b>1999 PONTIAC</b>			
Bonneville	3.8L V6 F/I	33-2086	HP-1001
Firebird	3.8L V6 F/I	33-2118 ♦	HP-1001
Firebird	5.7L V8 F/I	33-2118 ♦	HP-1007
Firefly	1.0L L3 F/I		HP-1002
Firefly	1.3L L4 F/I		HP-1002
Grand Am	2.4L L4 F/I	33-2121-1	HP-1007
Grand Am	3.4L V6 F/I	33-2121-1	HP-1001
Grand Prix	3.1L V6 F/I	33-2141-1	HP-1001
Grand Prix	3.8L V6 F/I	33-2141-1 ♦	HP-1001
Montana	3.4L V6 F/I	33-2156	HP-1001
Sunfire	2.2L L4 F/I	33-2143	HP-1001
Sunfire	2.4L L4 F/I	33-2143	HP-1007

<b>1998 PONTIAC</b>			
Bonneville	3.8L V6 F/I	33-2086	HP-1001
Firebird	3.8L V6 F/I	33-2118	HP-1001
Firebird	5.7L V8 F/I	33-2118 ♦	HP-1007
Firefly	1.0L L3 F/I		HP-1002
Firefly	1.3L L4 F/I		HP-1002
Grand Am	2.4L L4 F/I	33-2068	HP-1007
Grand Am	3.1L V6 F/I	33-2068	HP-1001
Grand Prix	3.1L V6 F/I	33-2063-1	HP-1001
Grand Prix	3.8L V6 F/I	33-2063-1	HP-1001
Sunfire	2.2L L4 F/I	33-2143	HP-1001
Sunfire	2.4L L4 F/I	33-2143	HP-1007
Trans Sport	3.4L V6 F/I	33-2156	HP-1001

<b>1997 PONTIAC</b>			
Bonneville	3.8L V6 F/I	33-2086	HP-1001
Firebird	3.8L V6 F/I	33-2042	HP-1001
Firebird	5.7L V8 F/I		HP-2002
Firebird	5.7L V8 F/I - exc. ram air	33-2042 ♦	HP-2002
Firebird	5.7L V8 F/I - ram air	33-2035 ♦	HP-2002
Firefly	1.0L L3 F/I		HP-1002
Firefly	1.3L L4 F/I		HP-1002
Grand Am	2.4L L4 F/I	33-2068	HP-1007
Grand Am	3.1L V6 F/I	33-2068	HP-1001
Grand Prix	3.1L V6 F/I	33-2063-1	HP-1001
Grand Prix	3.8L V6 F/I	33-2063-1	HP-1001
Sunfire	2.2L L4 F/I	33-2143	HP-1001
Sunfire	2.4L L4 F/I	33-2143	HP-1007
Trans Sport	3.4L V6 F/I	33-2156	HP-1001

<b>1996 PONTIAC</b>			
Bonneville	3.8L V6 F/I	33-2086	HP-1001
Firebird	3.8L V6 F/I	33-2042	HP-1001
Firebird	5.7L V8 F/I		HP-2002

Vehicle	Engine Type	Air Filter	Oil Filter
<b>1996 PONTIAC</b>			
Firebird	5.7L V8 F/I - exc. ram air	33-2042 ♦	HP-2002
Firebird	5.7L V8 F/I - ram air	33-2035 ♦	HP-2002
Firefly	1.0L L3 F/I		HP-1002
Firefly	1.3L L4 F/I		HP-1002
Grand Am	2.4L L4 F/I	33-2068	HP-1007
Grand Am	3.1L V6 F/I	33-2068	HP-1001
Grand Prix	3.1L V6 F/I	33-2063-1	HP-1001
Grand Prix	3.4L V6 F/I	33-2063-1	HP-2001
Sunfire	2.2L L4 F/I	33-2143	HP-1001
Sunfire	2.4L L4 F/I	33-2143	HP-1007
Trans Sport	3.4L V6 F/I	33-2022	HP-1001

<b>1995 PONTIAC</b>			
Bonneville	3.8L V6 F/I	33-2086	HP-1001
Firebird	3.4L V6 F/I	33-2042 ♦	HP-1001
Firebird	3.8L V6 F/I	33-2042	HP-1001
Firebird	5.7L V8 F/I		HP-2002
Firebird	5.7L V8 F/I - w/o ram air	33-2042 ♦	HP-2002
Firefly	1.0L L3 F/I		HP-1002
Firefly	1.3L L4 F/I		HP-1002
Grand Am	2.3L L4 F/I	33-2068	HP-1001
Grand Am	3.1L V6 F/I	33-2068	HP-1001
Grand Prix	3.1L V6 F/I	33-2063-1	HP-1001
Grand Prix	3.4L V6 F/I	33-2063-1	HP-2001
Sunfire	2.2L L4 F/I	33-2143	HP-1001
Sunfire	2.3L L4 F/I	33-2143	HP-1001
Trans Sport	3.1L V6 F/I	E-1065	HP-2001
Trans Sport	3.8L V6 F/I	33-2022	HP-1001

<b>1994 PONTIAC</b>			
Bonneville	3.8L V6 F/I	33-2086	HP-1001
Firebird	3.4L V6 F/I	33-2042 ♦	HP-1001
Firebird	5.7L V8 F/I		HP-2002
Firebird	5.7L V8 F/I - w/o ram air	33-2042 ♦	HP-2002
Firefly	1.0L L3 F/I		HP-1002
Grand Am	2.3L L4 F/I	33-2068	HP-1001
Grand Am	3.1L V6 F/I	33-2068	HP-1001
Grand Prix	3.1L V6 F/I	33-2063-1	HP-1001
Grand Prix	3.4L V6 F/I	33-2063-1	HP-2001
Sunbird	2.0L L4 F/I	33-2022	HP-1001
Sunbird	3.1L V6 F/I	E-0850	HP-1001
Trans Sport	3.1L V6 F/I	E-1065	HP-2001
Trans Sport	3.8L V6 F/I	33-2022	HP-1001

<b>1993 PONTIAC</b>			
Bonneville	3.8L V6 F/I		HP-1001
Firebird	3.4L V6 F/I	33-2042 ♦	HP-1001
Firebird	5.7L V8 F/I		HP-2002
Firebird	5.7L V8 F/I - w/o ram air	33-2042 ♦	HP-2002
Grand Am	2.3L L4 F/I	33-2022	HP-1001
Grand Am	3.3L V6 F/I	33-2022	HP-1001
Grand Prix	3.1L V6 F/I	33-2038	HP-2001
Grand Prix	3.4L V6 F/I	33-2038	HP-2001
LeMans	1.6L L4 F/I	E-1068	HP-1001
Sunbird	2.0L L4 F/I	33-2022	HP-1001
Sunbird	3.1L V6 F/I	E-0850	HP-1001
Trans Sport	3.1L V6 F/I	E-1065	HP-2001
Trans Sport	3.8L V6 F/I	33-2022	HP-1001

<b>1992 PONTIAC</b>			
Bonneville	3.8L V6 F/I		HP-1001
Firebird	3.1L V6 F/I	E-0890	HP-2001
Firebird	5.0L V8 TBI	E-1450	HP-2002

\*Indicates 2 filters required      ♦ - Intake kit available      Applications updated daily at [knfilters.com](http://knfilters.com) ®

# AIR & OIL FILTERS

# PONTIAC

Vehicle	Engine Type	Air Filter	Oil Filter	Vehicle	Engine Type	Air Filter	Oil Filter
<b>1992 PONTIAC</b>				<b>1989 PONTIAC</b>			
Firebird	5.0L V8 TPI	E-0890	HP-2002	Grand Prix	3.1L V6 F/I		HP-2001
Firebird	5.7L V8 F/I	E-0890	HP-2002	LeMans	1.6L L4 F/I	E-1068	HP-1001
Grand Am	2.3L L4 F/I	33-2022	HP-1001	Safari	5.0L V8 CARB	E-1500	HP-2006
Grand Am	3.3L V6 F/I	33-2022	HP-1001	Sunbird	2.0L L4 F/I		HP-1001
Grand Prix	3.1L V6 F/I	33-2038	HP-2001	Sunbird	2.0L L4 F/I - exc. Turbo	E-1015	HP-1001
Grand Prix	3.4L V6 F/I	33-2038	HP-2001	Sunbird	2.0L L4 F/I - Turbo	E-0850	HP-1001
LeMans	1.6L L4 F/I	E-1068	HP-1001	Tempest	2.8L V6 F/I		HP-1001
Sunbird	2.0L L4 F/I	33-2022	HP-1001	<b>1988 PONTIAC</b>			
Sunbird	3.1L V6 F/I	E-0850	HP-1001	6000	2.5L L4 F/I	E-1015	
Trans Sport	3.1L V6 F/I	E-1065	HP-2001	6000	2.8L V6 F/I	E-0850	HP-2001
Trans Sport	3.8L V6 F/I	33-2022	HP-1001	Bonneville	3.8L V6 F/I	33-2022	HP-1001
<b>1991 PONTIAC</b>				Fiero	2.5L L4 F/I	E-1025	
6000	3.1L V6 F/I	E-0850	HP-1001	Fiero	2.8L V6 F/I	E-0890	HP-2001
Bonneville	3.8L V6 F/I	33-2022	HP-1001	Firebird	2.8L V6 F/I	E-0890	HP-2001
Firebird	3.1L V6 F/I	E-0890	HP-2001	Firebird	5.0L V8 MFI	E-0890	HP-2002
Firebird	5.0L V8 TBI	E-1450	HP-2002	Firebird	5.0L V8 TBI	E-1450	HP-2002
Firebird	5.0L V8 TPI	E-0890	HP-2002	Firebird	5.7L V8 TPI	E-0890	HP-2002
Firebird	5.7L V8 F/I	E-0890	HP-2002	Grand Am	2.0L L4 F/I	E-0850	HP-1001
Firefly	1.0L L3 F/I		HP-1002	Grand Am	2.3L L4 F/I		HP-1001
Grand Am	2.3L L4 F/I	33-2022	HP-1001	Grand Am	2.5L L4 F/I	E-1015	
Grand Am	2.5L L4 F/I	E-1015		Grand Prix	2.8L V6 F/I	E-0850	HP-2001
Grand Prix	2.3L L4 F/I	33-2022	HP-1001	LeMans	1.6L L4 F/I	E-1068	HP-1001
Grand Prix	3.1L V6 F/I	33-2038	HP-2001	Sunbird	2.0L L4 F/I		HP-1001
Grand Prix	3.4L V6 F/I	33-2038	HP-2001	Sunbird	2.0L L4 F/I - exc. Turbo	E-1015	HP-1001
LeMans	1.6L L4 F/I	E-1068	HP-1001	Sunbird	2.0L L4 F/I - Turbo	E-0850	HP-1001
Optima	1.6L L4 F/I		HP-1001	<b>1987 PONTIAC</b>			
Sunbird	2.0L L4 F/I	E-1015	HP-1001	6000	2.5L L4 F/I	E-1015	HP-1001
Sunbird	3.1L V6 F/I	E-0850	HP-1001	6000	2.8L V6 F/I	E-0850	HP-2001
Trans Sport	3.1L V6 F/I	E-1065	HP-2001	Acadian	1.6L L4 CARB		HP-1001
<b>1990 PONTIAC</b>				Bonneville	3.8L V6 SFI	33-2022	HP-1001
6000	3.1L V6 F/I	E-0850	HP-2001	Fiero	2.5L L4 F/I	E-1025	HP-2001
Bonneville	3.8L V6 F/I	33-2022	HP-1001	Fiero	2.8L V6 F/I	E-0890	HP-2001
Firebird	3.1L V6 F/I	E-0890	HP-2001	Firebird	2.8L V6 MFI	E-0890	HP-1001
Firebird	5.0L V8 EFI	E-1450	HP-2002	Firebird	5.0L V8 CARB	E-1450	HP-2002
Firebird	5.0L V8 TBI	E-0890	HP-2002	Firebird	5.0L V8 F/I	E-0890	HP-2002
Firebird	5.7L V8 F/I	E-0890	HP-2002	Firebird	5.7L V8 F/I	E-0890	HP-2002
Firefly	1.0L L3 F/I		HP-1002	Grand Am	3.0L V6 F/I		HP-1001
Grand Am	2.3L L4 F/I	33-2022	HP-1001	Grand Prix	3.8L V6 CARB	E-1150	HP-1001
Grand Am	2.5L L4 F/I	E-1015		Grand Prix	4.3L V6 F/I		HP-2001
Grand Prix	3.1L V6 F/I		HP-2001	Grand Prix	5.0L V8 CARB	E-1500	HP-2002
Grand Prix	3.1L V6 F/I - exc. Turbo	33-2038	HP-2001	Sunbird	2.0L L4 F/I		HP-1001
LeMans	1.6L L4 F/I	E-1068	HP-1001	Sunbird	2.0L L4 F/I - exc. Turbo	E-1015	HP-1001
LeMans	2.0L L4 F/I	E-1015	HP-1001	<b>1986 PONTIAC</b>			
Sunbird	2.0L L4 F/I		HP-1001	6000	2.5L L4 F/I	E-1015	HP-1001
Sunbird	2.0L L4 F/I - exc. Turbo	E-1015	HP-1001	6000	2.8L V6 CARB	E-1950	HP-1001
Sunbird	2.0L L4 F/I - Turbo	E-0850	HP-1001	6000	2.8L V6 F/I	E-0850	HP-1001
Trans Sport	3.1L V6 F/I	E-1065	HP-2001	Acadian	1.6L L4 CARB		HP-1001
<b>1989 PONTIAC</b>				Bonneville	3.8L V6 CARB	E-1150	HP-1001
6000	2.8L V6 F/I	E-0850	HP-2001	Bonneville	5.0L V8 CARB	E-1500	HP-2002
6000	3.1L V6 F/I	E-0850	HP-2001	Fiero	2.5L L4 F/I	E-1025	HP-2001
Bonneville	3.8L V6 F/I	33-2022	HP-1001	Fiero	2.8L V6 F/I	E-0890	HP-2001
Firebird	2.8L V6 F/I	E-0890	HP-2001	Firebird	2.5L L4 F/I	E-1015	HP-1001
Firebird	3.8L V6 F/I	E-0870	HP-3002	Firebird	2.8L V6 F/I	E-0890	HP-1001
Firebird	5.0L V8 MFI	E-0890	HP-2002	Firebird	5.0L V8 CARB	E-1450	HP-2002
Firebird	5.0L V8 TBI	E-1450	HP-2002	Firebird	5.0L V8 F/I	E-0890	HP-2002
Firebird	5.7L V8 TPI	E-0890	HP-2002	Grand Am	3.0L V6 F/I		HP-1001
Firefly	1.0L L3 F/I		HP-1002	Grand Prix	4.3L V6 F/I		HP-2001
Grand Am	2.0L L4 F/I	E-0850	HP-1001	Grand Prix	5.0L V8 CARB	E-1500	HP-2002
Grand Am	2.3L L4 F/I - VIN A	33-2022	HP-1001	Parisienne	305 V8 CARB	E-1500	HP-2002
Grand Am	2.3L L4 F/I - VIN D	E-2310	HP-1001	Parisienne	307 V8 CARB	E-1500	HP-2006
Grand Am	2.5L L4 F/I	E-1015		Parisienne	4.3L V6 F/I	E-1450	HP-2001
Grand Prix	2.8L V6 F/I	33-2038	HP-2001	Sunbird	1.8L L4 F/I		HP-1001

\*Indicates 2 filters required

◆ - Intake kit available

Applications updated daily at [knfilters.com](http://knfilters.com) ®

**Partial Listing - Complete List of Vehicles and Applications at [knfilters.com](http://knfilters.com)**

# PONTIAC

# AIR & OIL FILTERS

Vehicle	Engine Type	Air Filter	Oil Filter
<b>1986 PONTIAC</b>			
Sunbird	1.8L L4 F/I - exc. Turbo	E-1015	HP-1001
Sunbird	1.8L L4 F/I - Turbo	E-0770	HP-1001
T1000	1.6L L4 CARB	E-1940	HP-1001

<b>1985 PONTIAC</b>			
6000	2.5L L4 F/I	E-1015	HP-1001
6000	2.8L V6 CARB	E-1950	HP-1001
6000	2.8L V6 F/I	E-0850	HP-1001
6000	4.3L V6 DSL	E-1577	HP-2001
Bonneville	3.8L V6 CARB	E-1150	HP-1001
Bonneville	5.0L V8 CARB	E-1500	HP-2002
Fiero	2.5L L4 F/I	E-1025	HP-2001
Fiero	2.8L V6 F/I	E-0890	HP-2001
Firebird	2.5L L4 F/I	E-1015	HP-1001
Firebird	2.8L V6 F/I	E-0890	HP-1001
Firebird	5.0L V8 CARB	E-1450	HP-2002
Firebird	5.0L V8 F/I	E-0890	HP-2002
Grand Am	3.0L V6 F/I		HP-1001
Grand Prix	3.8L V6 CARB	E-1150	HP-1001
Grand Prix	5.0L V8 CARB	E-1500	HP-2002
J2000 Sunbird	1.8L L4 F/I - exc. Turbo	E-1015	HP-1001
J2000 Sunbird	1.8L L4 F/I - Turbo	E-0770	
Parisienne	5.0L V8 CARB	E-1500	HP-2002

<b>1984 PONTIAC</b>			
6000	4.3L V6 DSL	E-1577	HP-2001
Bonneville	5.0L V8 CARB	E-1500	HP-2002
Fiero	2.5L L4 F/I	E-1025	HP-2001
Firebird	2.8L V6 CARB	E-1030	HP-1001
Firebird	5.0L V8 CARB	E-1450	HP-2002
Grand Prix	5.0L V8 CARB	E-1500	HP-2002
J2000 Sunbird	1.8L L4 F/I - Turbo	E-0770	
Parisienne	3.8L V6 CARB	E-1150	HP-1001
Parisienne	5.0L V8 CARB	E-1500	HP-2002

<b>1983 PONTIAC</b>			
Bonneville	5.0L V8 CARB	E-1500	HP-2002
Firebird	2.8L V6 CARB	E-1030	HP-1001
Firebird	5.0L V8 CARB	E-1450	HP-2002
Firebird	5.0L V8 TBI	E-1117*	HP-2002
Grand Prix	5.0L V8 CARB	E-1500	HP-2002

<b>1982 PONTIAC</b>			
6000	4.3L V6 DSL	E-1577	HP-2001
Firebird	2.5L L4 CARB	E-1015	HP-1001
Firebird	2.5L L4 TBI	E-1015	HP-1001
Firebird	2.8L V6 CARB	E-1030	HP-1001
Firebird	5.0L V8 CARB	E-1450	HP-2002
Firebird	5.0L V8 TBI	E-1117*	HP-2002

<b>1981 PONTIAC</b>			
Firebird	3.8L V6 CARB	E-1450	HP-1001
Firebird	4.3L V8 CARB	E-1410	HP-1001
Firebird	4.9L V8 CARB		HP-1001
Firebird	4.9L V8 CARB - exc. Turbo	E-1410	HP-1001
Firebird	4.9L V8 CARB - Turbo	E-1430	HP-1001
Firebird	5.0L V8 CARB	E-1500	HP-2002
Grand Prix	5.7L V8 DSL	E-1690	HP-2006

<b>1980 PONTIAC</b>			
Bonneville	301 V8 CARB	E-1450	HP-1001
Firebird	231 V6 CARB	E-1450	HP-1001
Firebird	301 V8 CARB		HP-1001
Firebird	301 V8 CARB - ram air	E-1500	HP-1001
Firebird	301 V8 CARB - w/o ram air	E-1450	HP-1001
Firebird	305 V8 CARB	E-1500	HP-2002

Vehicle	Engine Type	Air Filter	Oil Filter
<b>1980 PONTIAC</b>			
Firebird Trans Am	305 V8 CARB	E-1410	HP-2002
Grand Prix	305 V8 CARB	E-1500	HP-2002
Laurentian	350 V8 CARB		HP-2003
Phoenix	173 V6 CARB	E-1950	HP-2001

<b>1979 PONTIAC</b>			
Bonneville	350 V8 CARB - VIN R	E-1650	HP-2006
Bonneville	350 V8 CARB - VIN X	E-1500	HP-2003
Bonneville	403 V8 CARB	E-1650	HP-2006
Firebird	231 V6 CARB	E-1450	HP-1001
Firebird	301 V8 2 BBL.	E-1450	HP-1001
Firebird	301 V8 4 BBL.		HP-1001
Firebird	301 V8 4 BBL. - w/o ram air	E-1450	HP-1001
Firebird	301 V8 4 BBL. - w/ram air	E-1590	HP-1001
Firebird	305 V8 CARB	E-1450	HP-2002
Firebird	350 V8 CARB	E-1500	HP-2002
Firebird	400 V8 CARB		HP-2003
Firebird	400 V8 CARB - ram air	E-1590	HP-2003
Firebird	400 V8 CARB - w/o ram air	E-1650	HP-2003
Firebird	403 V8 CARB	E-1650	HP-2006
Firebird Trans Am	403 V8 CARB	E-1590	HP-2006
Grand Prix	301 V8 CARB	E-1450	HP-1001
Grand Prix	305 V8 CARB	E-1500	HP-2002
Parisienne	350 V8 CARB		HP-2003

<b>1978 PONTIAC</b>			
Bonneville	350 V8 CARB - VIN R	E-1650	HP-2006
Bonneville	350 V8 CARB - VIN X	E-1500	HP-2003
Bonneville	400 V8 CARB	E-1650	HP-2003
Catalina	400 V8 CARB	E-1650	HP-2003
Catalina	403 V8 CARB	E-1650	HP-2006
Firebird	231 V6 CARB	E-1070	HP-1001
Firebird	305 V8 CARB	E-1450	HP-2002
Firebird	350 V8 CARB	E-1500	HP-2002
Firebird	400 V8 CARB		HP-2003
Firebird	400 V8 CARB - ram air	E-1590	HP-2003
Firebird	400 V8 CARB - w/o ram air	E-1650	HP-2003
Firebird	403 V8 CARB		HP-2006
Firebird	403 V8 CARB - ram air	E-1590	HP-2006
Firebird	403 V8 CARB - w/o ram air	E-1650	HP-2006
Grand Prix	301 V8 CARB	E-1450	HP-1001
Phoenix	231 V6 CARB	E-1150	HP-1001

<b>1977 PONTIAC</b>			
Bonneville	350 V8 CARB	E-1650	HP-2003
Bonneville	400 V8 CARB	E-1650	HP-2003
Firebird	231 V6 CARB	E-1070	HP-1001
Firebird	301 V8 CARB	E-1450	HP-2002
Firebird	350 V8 CARB	E-1650	HP-2003
Firebird	400 V8 CARB		HP-2003
Firebird	400 V8 CARB - ram air	E-1590	HP-2003
Firebird	400 V8 CARB - w/o ram air	E-1650	HP-2003
Firebird	403 V8 CARB		HP-2003
Firebird	403 V8 CARB - ram air	E-1590	HP-2003
Firebird	403 V8 CARB - w/o ram air	E-1650	HP-2003
Grand Prix	301 V8 CARB	E-1450	HP-1007
Grand Prix	350 V8 CARB	E-1650	HP-2003
Grand Prix	400 V8 CARB	E-1650	HP-2003
Grand Prix	403 V8 CARB	E-1650	HP-2003
LeMans	400 V8 CARB	E-1650	HP-2003
Phoenix	350 V8 CARB - VIN R	E-1650	HP-2003

\*Indicates 2 filters required

◆ - Intake kit available

Applications updated daily at [knfilters.com](http://knfilters.com) ®



# AIR & OIL FILTERS

# PONTIAC

Vehicle	Engine Type	Air Filter	Oil Filter	Vehicle	Engine Type	Air Filter	Oil Filter
<b>1976 PONTIAC</b>				<b>1973 PONTIAC</b>			
Bonneville	400 V8 2 BBL.	E-1220	HP-2003	Firebird	455 V8 CARB		HP-2003
Bonneville	400 V8 4 BBL.	E-1650	HP-2003	Firebird	455 V8 CARB - ram air	E-1590	HP-2003
Bonneville	455 V8 CARB	E-1650	HP-2003	Firebird	455 V8 CARB - w/o ram air	E-1650	HP-2003
Catalina	400 V8 2 BBL.	E-1220	HP-2003	Grand Am	400 V8 2 BBL.	E-1220	HP-2003
Catalina	400 V8 4 BBL.	E-1650	HP-2003	Grand Am	400 V8 4 BBL.	E-1650	HP-2003
Firebird	350 V8 CARB	E-1650	HP-2003	Grand Am	455 V8 CARB	E-1650	HP-2003
Firebird	400 V8 CARB		HP-2003	Grand Prix	400 V8 CARB	E-1650	HP-2003
Firebird	400 V8 CARB - ram air	E-1590	HP-2003	Grand Prix	455 V8 CARB	E-1650	HP-2003
Firebird	400 V8 CARB - w/o ram air	E-1650	HP-2003	Grandville	455 V8 CARB	E-1650	
Firebird	455 V8 CARB		HP-2003	GTO	400 V8 CARB	E-1650	HP-2003
Firebird	455 V8 CARB - ram air	E-1590	HP-2003	GTO	455 V8 CARB	E-1650	HP-2003
Firebird	455 V8 CARB - w/o ram air	E-1650	HP-2003	LeMans	350 V8 CARB	E-1220	HP-2003
Grand Prix	350 V8 2 BBL.	E-1220	HP-2003	LeMans	400 V8 2 BBL.	E-1220	HP-2003
Grand Prix	350 V8 4 BBL.	E-1650	HP-2003	LeMans	400 V8 4 BBL.	E-1650	HP-2003
Grand Prix	400 V8 2 BBL.	E-1220	HP-2003	Ventura	350 V8 CARB	E-1650	HP-2003
Grand Prix	400 V8 4 BBL.	E-1650	HP-2003	<b>1972 PONTIAC</b>			
Grand Prix	455 V8 CARB	E-1650	HP-2003	Bonneville	400 V8 CARB - w/o ram air	E-1650	
LeMans	350 V8 2 BBL.	E-1220	HP-2003	Bonneville	455 V8 CARB	E-1650	HP-2003
LeMans	350 V8 4 BBL.	E-1650	HP-2003	Firebird	350 V8 CARB	E-1650	HP-2003
LeMans	350 V8 CARB		HP-2003	Firebird	400 V8 CARB		HP-2003
LeMans	400 V8 2 BBL.	E-1220	HP-2003	Firebird	400 V8 CARB - ram air	E-1590	HP-2003
LeMans	400 V8 4 BBL.	E-1650	HP-2003	Firebird	400 V8 CARB - w/o ram air	E-1650	HP-2003
LeMans	455 V8 CARB	E-1650	HP-2003	Firebird	455 V8 CARB		HP-2003
Ventura	260 V8 CARB	E-1500	HP-2003	Firebird	455 V8 CARB - ram air	E-1590	HP-2003
<b>1975 PONTIAC</b>				Firebird	455 V8 CARB - w/o ram air	E-1650	HP-2003
Firebird	350 V8 CARB	E-1650	HP-2003	Grand Prix	400 V8 CARB	E-1650	HP-2003
Firebird	400 V8 CARB		HP-2003	Grand Prix	455 V8 CARB	E-1650	HP-2003
Firebird	400 V8 CARB - ram air	E-1590	HP-2003	Grandville	455 V8 CARB	E-1650	
Firebird	400 V8 CARB - w/o ram air	E-1650	HP-2003	GTO	400 V8 CARB		HP-2003
Firebird	455 V8 CARB	E-1590	HP-2003	GTO	400 V8 CARB - w/o ram air	E-1650	HP-2003
Grand Am	455 V8 CARB	E-1650	HP-2003	GTO	400 V8 CARB - w/ram air	E-1500	HP-2003
Grand Prix	400 V8 CARB - w/o ram air	E-1650		GTO	455 V8 CARB		HP-2003
Grandville	400 V8 CARB	E-1650	HP-2003	GTO	455 V8 CARB - w/o ram air	E-1650	HP-2003
Grandville	455 V8 CARB	E-1650	HP-2003	GTO	455 V8 CARB - w/ram air	E-1500	HP-2003
<b>1974 PONTIAC</b>				LeMans	350 V8 CARB	E-1220	HP-2003
Catalina	455 V8 CARB	E-1650	HP-2003	LeMans	400 V8 2 BBL.	E-1220	HP-2003
Firebird	350 V8 CARB	E-1650	HP-2003	LeMans	400 V8 4 BBL.		HP-2003
Firebird	400 V8 CARB		HP-2003	LeMans	400 V8 4 BBL. - w/o ram air	E-1650	HP-2003
Firebird	400 V8 CARB - ram air	E-1590	HP-2003	LeMans	455 V8 CARB		HP-2003
Firebird	400 V8 CARB - w/o ram air	E-1650	HP-2003	LeMans	455 V8 CARB - w/o ram air	E-1650	HP-2003
Firebird	455 V8 CARB		HP-2003	LeMans	455 V8 CARB - w/ram air	E-1500	HP-2003
Firebird	455 V8 CARB - ram air	E-1590	HP-2003	Ventura	350 V8 CARB	E-1650	HP-2003
Firebird	455 V8 CARB - w/o ram air	E-1650	HP-2003	<b>1971 PONTIAC</b>			
Grand Am	400 V8 2 BBL.	E-1220	HP-2003	Catalina	400 V8 2 BBL.	E-1220	HP-2003
Grand Am	400 V8 4 BBL.	E-1650	HP-2003	Catalina	400 V8 4 BBL.	E-1650	HP-2003
Grand Prix	400 V8 CARB	E-1650	HP-2003	Catalina	455 V8 CARB	E-1650	HP-2003
Grand Prix	455 V8 CARB	E-1650	HP-2003	Firebird	350 V8 CARB	E-1650	HP-2003
Grandville	455 V8 CARB	E-1650		Firebird	400 V8 CARB		HP-2003
Ventura	350 V8 CARB		HP-2003	Firebird	400 V8 CARB - ram air	E-1590	HP-2003
Ventura	350 V8 CARB - w/o ram air	E-1650	HP-2003	Firebird	400 V8 CARB - w/o ram air	E-1650	HP-2003
<b>1973 PONTIAC</b>				Firebird	455 V8 CARB	E-1650	HP-2003
Catalina	400 V8 2 BBL.	E-1220	HP-2003	Grand Prix	400 V8 2 BBL.	E-1220	HP-2003
Catalina	400 V8 4 BBL.	E-1650	HP-2003	Grand Prix	400 V8 4 BBL.	E-1650	HP-2003
Catalina	455 V8 CARB	E-1650	HP-2003	GTO	400 V8 CARB	E-1650	HP-2003
Firebird	350 V8 CARB	E-1650	HP-2003	GTO	455 V8 CARB		HP-2003
Firebird	400 V8 CARB		HP-2003				
Firebird	400 V8 CARB - ram air	E-1590	HP-2003				
Firebird	400 V8 CARB - w/o ram air	E-1650	HP-2003				

\*Indicates 2 filters required

◆ - Intake kit available

Applications updated daily at [knfilters.com](http://knfilters.com) ®

**Partial Listing - Complete List of Vehicles and Applications at [knfilters.com](http://knfilters.com)**

# PONTIAC

# AIR & OIL FILTERS

Vehicle	Engine Type	Air Filter	Oil Filter
<b>1971 PONTIAC</b>			
GTO	455 V8 CARB - w/o ram air	E-1650	HP-2003
GTO	455 V8 CARB - w/ram air	E-1590	HP-2003
LeMans	350 V8 CARB	E-1220	HP-2003
LeMans	400 V8 2 BBL.	E-1220	HP-2003
LeMans	400 V8 4 BBL.		HP-2003
LeMans	400 V8 4 BBL. - w/o ram air	E-1650	HP-2003
LeMans	455 V8 CARB - w/o ram air	E-1650	

Vehicle	Engine Type	Air Filter	Oil Filter
<b>1970 PONTIAC</b>			
Bonneville	455 V8 CARB	E-1650	HP-2003
Catalina	400 V8 2 BBL.	E-1220	HP-2003
Catalina	400 V8 4 BBL.	E-1650	HP-2003
Firebird	350 V8 CARB	E-1220	HP-2003
Firebird	400 V8 CARB		HP-2003
Firebird	400 V8 CARB - ram air	E-1590	HP-2003
Firebird	400 V8 CARB - w/o ram air	E-1650	HP-2003
Grand Prix	400 V8 2 BBL.	E-1220	HP-2003
Grand Prix	400 V8 4 BBL.	E-1650	HP-2003
GTO	350 V8 CARB	E-1220	HP-2003
GTO	400 V8 2 BBL.	E-1220	HP-2003
GTO	400 V8 4 BBL.		HP-2003
GTO	400 V8 4 BBL. - w/o ram air	E-1650	HP-2003
GTO	400 V8 4 BBL. - w/ram air	E-1590	HP-2003
GTO	455 V8 CARB		HP-2003
GTO	455 V8 CARB - w/o ram air	E-1650	HP-2003
GTO	455 V8 CARB - w/ram air	E-1590	HP-2003
LeMans	350 V8 CARB	E-1220	HP-2003
LeMans	400 V8 2 BBL.	E-1220	HP-2003
LeMans	400 V8 4 BBL.	E-1650	HP-2003
LeMans	455 V8 CARB	E-1650	HP-2003

Vehicle	Engine Type	Air Filter	Oil Filter
<b>1969 PONTIAC</b>			
Bonneville	428 V8 CARB		HP-2003
Bonneville	428 V8 CARB - w/o ram air	E-1650	HP-2003
Catalina	400 V8 CARB		HP-2003
Catalina	400 V8 CARB - w/o ram air	E-1650	HP-2003
Catalina	428 V8 CARB		HP-2003
Catalina	428 V8 CARB - w/o ram air	E-1650	HP-2003
Firebird	350 V8 CARB		HP-2003
Firebird	350 V8 CARB - w/o ram air	E-1650	HP-2003
Firebird	350 V8 CARB - w/ram air	E-1220	HP-2003
Firebird	400 V8 CARB		HP-2003
Firebird	400 V8 CARB - w/o ram air	E-1650	HP-2003
Firebird	400 V8 CARB - w/ram air	E-1220	HP-2003
Grand Prix	400 V8 CARB		HP-2003
Grand Prix	400 V8 CARB - w/o ram air	E-1650	HP-2003
Grand Prix	428 V8 CARB		HP-2003
Grand Prix	428 V8 CARB - w/o ram air	E-1650	HP-2003
GTO	400 V8 2 BBL.	E-1220	HP-2003
GTO	400 V8 4 BBL.		HP-2003
GTO	400 V8 4 BBL. - w/o ram air	E-1650	HP-2003
GTO	400 V8 4 BBL. - w/ram air	E-1590	HP-2003
LeMans	350 V8 CARB		HP-2003

Vehicle	Engine Type	Air Filter	Oil Filter
<b>1969 PONTIAC</b>			
LeMans	350 V8 CARB - w/o ram air	E-1650	HP-2003
LeMans	350 V8 CARB - w/ram air	E-1220	HP-2003
LeMans	400 V8 CARB		HP-2003
LeMans	400 V8 CARB - w/o ram air	E-1650	HP-2003
LeMans	428 V8 CARB - w/o ram air	E-1650	
Tempest	400 V8 CARB - w/o ram air	E-1650	

Vehicle	Engine Type	Air Filter	Oil Filter
<b>1968 PONTIAC</b>			
Bonneville	400 V8 2 BBL.	E-1220	HP-2003
Bonneville	400 V8 4 BBL.	E-1650	HP-2003
Bonneville	428 V8 CARB	E-1650	
Catalina	400 V8 2 BBL.	E-1220	HP-2003
Catalina	400 V8 4 BBL.	E-1650	HP-2003
Catalina	428 V8 CARB	E-1650	
Firebird	350 V8 2 BBL.	E-1220	HP-2003
Firebird	350 V8 4 BBL.	E-1650	HP-2003
Firebird	400 V8 2 BBL.	E-1220	HP-2003
Firebird	400 V8 4 BBL.	E-1650	HP-2003
Grand Prix	400 V8 2 BBL.	E-1220	HP-2003
Grand Prix	400 V8 4 BBL.	E-1650	HP-2003
GTO	400 V8 CARB	E-1650	HP-2003
LeMans	350 V8 2 BBL.	E-1220	HP-2003
LeMans	350 V8 4 BBL.	E-1650	HP-2003
LeMans	400 V8 2 BBL.	E-1220	HP-2003
LeMans	400 V8 4 BBL.	E-1650	HP-2003
LeMans	428 V8 CARB	E-1650	HP-2003
Tempest	350 V8 2 BBL.	E-1220	HP-2003
Tempest	350 V8 4 BBL.	E-1650	HP-2003

Vehicle	Engine Type	Air Filter	Oil Filter
<b>1967 PONTIAC</b>			
Catalina	400 V8 CARB		HP-2003
Catalina	428 V8 CARB	E-1650	HP-2003
Firebird	230 L6 CARB	E-1070	HP-2003
Firebird	326 V8 CARB	E-1220	HP-2003
Firebird	400 V8 CARB	E-1650	HP-2003
Grand Prix	428 V8 CARB	E-1650	HP-2003
GTO	400 V8 CARB	E-1650	HP-2003
LeMans	230 L6 CARB	E-1070	HP-2003
LeMans	326 V8 CARB	E-1220	HP-2003
Tempest	230 L6 CARB	E-1070	HP-2003
Tempest	326 V8 CARB	E-1220	HP-2003

Vehicle	Engine Type	Air Filter	Oil Filter
<b>1966 PONTIAC</b>			
Bonneville	389 V8 CARB		HP-2003
Bonneville	389 V8 CARB - 4 BBL	E-1520	HP-2003
Catalina	389 V8 CARB		HP-2003
Grand Prix	389 V8 CARB		HP-2003
Grand Prix	389 V8 CARB - 4 BBL	E-1520	HP-2003
GTO	326 V8 CARB	E-1220	HP-2003
GTO	389 V8 CARB	E-3223	HP-2003
LeMans	326 V8 CARB	E-1220	HP-2003
Star Chief	389 V8 CARB		HP-2003
Tempest	326 V8 CARB	E-1220	HP-2003

Vehicle	Engine Type	Air Filter	Oil Filter
<b>1965 PONTIAC</b>			
Bonneville	389 V8 CARB		HP-2003
Bonneville	421 V8 CARB	E-3223	HP-2003
Catalina	389 V8 CARB		HP-2003
Grand Prix	389 V8 CARB		HP-2003
GTO	326 V8 CARB	E-1220	HP-2003
GTO	389 V8 CARB	E-3223	HP-2003
GTO	389 V8 CARB - 3x2 BBL	E-1230	HP-2003

\*Indicates 2 filters required    ♦ - Intake kit available    Applications updated daily at [knfilters.com](http://knfilters.com) ®

# AIR & OIL FILTERS

# PONTIAC

Vehicle	Engine Type	Air Filter	Oil Filter
<b>1965 PONTIAC</b>			
GTO	389 V8 CARB - 4 BBL	E-1520	HP-2003
LeMans	326 V8 CARB	E-1220	HP-2003
Tempest	326 V8 CARB	E-1220	HP-2003
<b>1964 PONTIAC</b>			
Bonneville	389 V8 CARB	E-1230	HP-2003
Bonneville	421 V8 CARB	E-1520	HP-2003
Catalina	389 V8 CARB	E-1230	HP-2003
Catalina	421 V8 CARB	E-1520	HP-2003
Grand Prix	389 V8 CARB	E-1230	HP-2003
Grand Prix	421 V8 CARB	E-1520	HP-2003
GTO	389 V8 CARB	E-1520	
LeMans	389 V8 CARB	E-1520	HP-2003
Star Chief	389 V8 CARB	E-1230	HP-2003
<b>1963 PONTIAC</b>			
Bonneville	389 V8 CARB	E-1520	HP-2003
Bonneville	421 V8 CARB	E-1520	HP-2003
Catalina	389 V8 CARB	E-1520	HP-2003
Catalina	421 V8 CARB	E-1520	HP-2003
Grand Prix	389 V8 CARB	E-1520	HP-2003
LeMans	326 V8 CARB	E-1520	HP-2003
<b>1962 PONTIAC</b>			
Bonneville	389 V8 CARB		HP-2003
Catalina	389 V8 CARB		HP-2003
Grand Prix	389 V8 CARB		HP-2003
Star Chief	389 V8 CARB		HP-2003
<b>1961 PONTIAC</b>			
Bonneville	389 V8 CARB		HP-2003
<b>1960 PONTIAC</b>			
Catalina	389 V8 CARB		HP-2003
Ventura	389 V8 CARB		HP-2003
<b>2011 PORSCHE</b>			
Boxster	2.9L H6 F/I	E-2295	
Boxster	3.4L H6 F/I	E-2295	
Cayman	2.9L H6 F/I	E-2295	
Cayman	3.4L H6 F/I	E-2295	
<b>2010 PORSCHE</b>			
911	3.6L H6 F/I		HP-7011
911	3.8L H6 F/I		HP-7011
Boxster	2.9L H6 F/I	E-2295	
Boxster	3.4L H6 F/I	E-2295	
Cayenne	3.0L V6 DSL	33-2857	
Cayenne	3.6L V6 F/I	33-2857	HP-7005
Cayenne	4.8L V8 F/I	33-2857*	
Cayman	2.9L H6 F/I	E-2295	
Cayman	3.4L H6 F/I	E-2295	
<b>2009 PORSCHE</b>			
911	3.6L H6 F/I		HP-7011
Boxster	2.7L H6 F/I	E-2295	
Boxster	2.9L H6 F/I	E-2295	HP-7011
Boxster	3.4L H6 F/I	E-2295	HP-7011
Cayenne	3.6L V6 F/I	33-2857	HP-7005
Cayenne	4.8L V8 F/I	33-2857*	
Cayman	2.7L H6 F/I	E-2295	
Cayman	2.9L H6 F/I	E-2295	HP-7011
Cayman	3.4L H6 F/I	E-2295	HP-7011
Panamera	3.6L V6 F/I		HP-7005
<b>2008 PORSCHE</b>			
911	3.6L H6 F/I	33-2786	HP-7011
911	3.8L H6 F/I	33-2786	HP-7011

Vehicle	Engine Type	Air Filter	Oil Filter
<b>2008 PORSCHE</b>			
911 GT2	3.6L H6 F/I		HP-7011
911 GT3	3.6L H6 F/I		HP-7011
911 Turbo	3.6L H6 F/I		HP-7011
Boxster	2.7L H6 F/I	E-2295	HP-7011
Boxster	3.2L H6 F/I	E-2295	
Boxster	3.4L H6 F/I	E-2295	HP-7011
Cayenne	3.6L V6 F/I	33-2857	HP-7005
Cayenne	4.8L V8 F/I	33-2857*	
Cayman	2.7L H6 F/I	E-2295	HP-7011
Cayman	3.4L H6 F/I	E-2295	HP-7011
<b>2007 PORSCHE</b>			
911	3.6L H6 F/I		HP-7011
911	3.6L H6 F/I - exc. Turbo	33-2786	HP-7011
911	3.8L H6 F/I	33-2786	HP-7011
911 GT3	3.6L H6 F/I		HP-7011
Boxster	2.7L H6 F/I	E-2295	HP-7011
Boxster	3.2L H6 F/I	E-2295	
Boxster	3.4L H6 F/I	E-2295	HP-7011
Cayenne	3.2L V6 F/I	33-2857	HP-7005
Cayenne	3.6L V6 F/I	33-2857	HP-7005
Cayenne	4.5L V8 F/I	33-2857*	HP-7011
Cayenne	4.8L V8 F/I	33-2857*	
Cayman	2.7L H6 F/I	E-2295	HP-7011
Cayman	3.4L H6 F/I	E-2295	HP-7011
<b>2006 PORSCHE</b>			
911	3.6L H6 F/I	33-2786	HP-7011
911	3.8L H6 F/I	33-2786	HP-7011
Boxster	2.7L H6 F/I	E-2295	HP-7011
Boxster	3.2L H6 F/I	E-2295	HP-7011
Boxster	3.4L H6 F/I	E-2295	HP-7011
Cayenne	3.2L V6 F/I	33-2857	HP-7005
Cayenne	4.5L V8 F/I	33-2857*	HP-7011
Cayman	2.7L H6 F/I	E-2295	HP-7011
Cayman	3.4L H6 F/I	E-2295	HP-7011
<b>2005 PORSCHE</b>			
911	3.4L H6 F/I	33-2786	
911	3.6L H6 F/I		HP-7011
911	3.6L H6 F/I - exc. Turbo	33-2786 ♦	HP-7011
911	3.6L H6 F/I - Turbo	33-2189	HP-7011
911	3.8L H6 F/I	33-2786	HP-7011
911 GT3	3.6L H6 F/I	33-2786	HP-7011
Boxster	2.7L H6 F/I	E-2295	HP-7011
Boxster	3.2L H6 F/I	E-2295	HP-7011
Carrera GT	5.7L V10 F/I		HP-7011
Cayenne	3.2L V6 F/I	33-2857	HP-7005
Cayenne	4.5L V8 F/I	33-2857*	HP-7011
Cayman	3.4L H6 F/I	E-2295	HP-7011
<b>2004 PORSCHE</b>			
911	3.4L H6 F/I	33-2786	
911	3.6L H6 F/I		HP-7011
911	3.6L H6 F/I - exc. Turbo	33-2786 ♦	HP-7011
911	3.6L H6 F/I - Turbo	33-2189	HP-7011
911	3.8L H6 F/I	33-2786	
911 GT3	3.6L H6 F/I	33-2786	HP-7011
Boxster	2.7L H6 F/I	33-2773	HP-7011
Boxster	3.2L H6 F/I	33-2773	HP-7011
Carrera 996	3.6L H6 F/I		HP-7011
Carrera 996	3.6L H6 F/I - Non-Turbo	33-2786	HP-7011
Carrera GT	5.7L V10 F/I		HP-7011

\*Indicates 2 filters required

♦ - Intake kit available

Applications updated daily at [knfilters.com](http://knfilters.com) ®

**Partial Listing - Complete List of Vehicles and Applications at [knfilters.com](http://knfilters.com)**

# PORSCHE

# AIR & OIL FILTERS

Vehicle	Engine Type	Air Filter	Oil Filter
<b>2004 PORSCHE</b>			
Cayenne	3.2L V6 F/I	33-2857	HP-7005
Cayenne	4.5L V8 F/I	33-2857*	HP-7011
<b>2003 PORSCHE</b>			
911	3.4L H6 F/I	33-2786	
911 Carrera	3.6L H6 F/I	33-2786 ♦	HP-7011
911 GT2	3.6L H6 F/I	33-2189	HP-7011
911 GT3	3.6L H6 F/I	33-2189	HP-7011
911 Turbo	3.6L H6 F/I	33-2189	HP-7011
Boxster	2.7L H6 F/I	33-2773	HP-7011
Boxster	3.2L H6 F/I	33-2773	HP-7011
Carrera 996	3.6L H6 F/I		HP-7011
Carrera 996	3.6L H6 F/I - Non-Turbo	33-2786	HP-7011
Cayenne	3.2L V6 F/I	33-2857	HP-7005
Cayenne	4.5L V8 F/I	33-2857*	HP-7011
<b>2002 PORSCHE</b>			
911	3.4L H6 F/I	33-2786	
911	3.6L H6 F/I	33-2786 ♦	HP-7011
911 Carrera	3.6L H6 F/I	33-2786 ♦	HP-7011
911 GT2	3.6L H6 F/I	33-2189	HP-7011
911 GT3	3.6L H6 F/I	33-2189	HP-7011
911 Turbo	3.6L H6 F/I	33-2189	HP-7011
Boxster	2.7L H6 F/I	33-2773	HP-7011
Boxster	3.2L H6 F/I	33-2773	HP-7011
Carrera 996	3.6L H6 F/I		HP-7011
Carrera 996	3.6L H6 F/I - Non-Turbo	33-2786	HP-7011
Cayenne	4.5L V8 F/I	33-2857*	HP-7011
<b>2001 PORSCHE</b>			
911	3.4L H6 F/I	33-2786 ♦	HP-7011
911	3.6L H6 F/I		HP-7011
911	3.6L H6 F/I - US	33-2189 ♦	HP-7011
911 Carrera	3.6L H6 F/I	33-2786	HP-7011
911 GT2	3.6L H6 F/I	33-2189	HP-7011
911 GT3	3.6L H6 F/I	33-2189	HP-7011
911 Turbo	3.6L H6 F/I	33-2189	HP-7011
Boxster	2.7L H6 F/I	33-2773	HP-7011
Boxster	3.2L H6 F/I	33-2773	HP-7011
Carrera 996	3.4L H6 F/I	33-2786	HP-7011
<b>2000 PORSCHE</b>			
911	3.4L H6 F/I	33-2786 ♦	HP-7011
911	3.6L H6 F/I	33-2189	HP-7011
Boxster	2.7L H6 F/I	33-2773	HP-7011
Boxster	3.2L H6 F/I	33-2773	HP-7011
Carrera 996	3.4L H6 F/I	33-2786	HP-7011
<b>1999 PORSCHE</b>			
911	3.4L H6 F/I	33-2786 ♦	HP-7011
911	3.6L H6 F/I	33-2189	
Boxster	2.5L H6 F/I	33-2773	HP-7011
Boxster	2.7L H6 F/I	33-2773	HP-7011
Boxster	3.2L H6 F/I	33-2773	HP-7011
Carrera 996	3.4L H6 F/I	33-2786	HP-7011
<b>1998 PORSCHE</b>			
911	3.4L H6 F/I	33-2786	HP-7011
911	3.6L H6 F/I	33-2731	
Boxster	2.5L H6 F/I	33-2773	HP-7011
<b>1997 PORSCHE</b>			
911	3.4L H6 F/I	33-2786	HP-7011
911	3.6L H6 F/I	33-2731	
911	3.8L H6 F/I	33-2731	
Boxster	2.5L H6 F/I	33-2773	HP-7011

Vehicle	Engine Type	Air Filter	Oil Filter
<b>1996 PORSCHE</b>			
911	3.6L H6 F/I	33-2731	
911	3.8L H6 F/I	33-2731	
Boxster	2.5L H6 F/I	33-2773	HP-7011
<b>1995 PORSCHE</b>			
911	3.6L H6 F/I	33-2731	
911	3.8L H6 F/I	33-2731	
928	5.4L V8 F/I	33-2591	
968	3.0L L4 F/I	33-2722	HP-4001
<b>1994 PORSCHE</b>			
911	3.6L H6 F/I - exc. Turbo	33-2077	HP-4004
911	3.6L H6 F/I - Turbo	33-2077	HP-4001
928	4.9L V8 F/I	33-2591	
928	5.4L V8 F/I	33-2591	
968	3.0L L4 F/I	33-2722	HP-4001
<b>1993 PORSCHE</b>			
911	3.3L H6 F/I	33-2530	
911	3.6L H6 F/I		HP-4004
911	3.6L H6 F/I - exc. Turbo	33-2077	HP-4004
911	3.6L H6 F/I - Turbo	33-2530	HP-4004
928	4.9L V8 F/I	33-2591	
928	5.4L V8 F/I	33-2591	
968	3.0L L4 F/I	33-2722	HP-4001
<b>1992 PORSCHE</b>			
911	3.3L H6 F/I	33-2530	HP-4001
911	3.6L H6 F/I	33-2077	HP-4004
928	4.9L V8 F/I	33-2591	
928	5.4L V8 F/I	33-2591	
968	3.0L L4 F/I	33-2722	HP-4001
<b>1991 PORSCHE</b>			
911	3.3L H6 F/I	33-2530	HP-4001
911	3.6L H6 F/I	33-2077	HP-4004
928	4.9L V8 F/I	33-2591	
928	5.0L V8 F/I	33-2591	
928	5.4L V8 F/I	33-2591	
944	2.5L L4 F/I	33-2081	
944	3.0L L4 F/I	33-2807	HP-4001
968	3.0L L4 F/I	33-2722	
<b>1990 PORSCHE</b>			
911	3.3L H6 F/I	33-2530	
911	3.6L H6 F/I	33-2077	HP-4004
928	4.9L V8 F/I	33-2591	
928	5.0L V8 F/I	33-2591	
944	2.5L L4 F/I - exc. Turbo	33-2079	
944	2.5L L4 F/I - Turbo	33-2081	
944	3.0L L4 F/I	33-2807	HP-4001
<b>1989 PORSCHE</b>			
911	3.2L H6 F/I	33-2076	HP-4004
911	3.3L H6 F/I	33-2530	HP-4004
911	3.6L H6 F/I	33-2077	HP-4004
928	4.9L V8 F/I	33-2591	
928	5.0L V8 F/I	33-2591	
930	3.0L F6 F/I - Turbo	33-2530	
944	2.5L L4 F/I		HP-4001
944	2.5L L4 F/I - Non-US, exc. Turbo	33-2079	HP-4001
944	2.5L L4 F/I - Non-US, Turbo	33-2081	HP-4001
944	2.5L L4 F/I - US	33-2081	HP-4001
944	2.7L L4 F/I	33-2079	HP-4001
944	3.0L L4 F/I	33-2807	HP-4001

\*Indicates 2 filters required

♦ - Intake kit available

Applications updated daily at [knfilters.com](http://knfilters.com) ®

# AIR & OIL FILTERS

# PORSCHE

Vehicle	Engine Type	Air Filter	Oil Filter
<b>1988 PORSCHE</b>			
911	3.2L H6 F/I	33-2076	HP-4004
911	3.3L H6 F/I	33-2530	HP-4004
911	3.6L H6 F/I	33-2077	HP-4004
924	2.0L L4 F/I	33-2003	
924	2.5L L4 F/I	33-2079	HP-4001
928	4.9L V8 F/I	33-2591	
928	5.0L V8 F/I	33-2591	
930	3.0L F6 F/I - Turbo	33-2530	
944	2.5L L4 F/I		HP-4001
944	2.5L L4 F/I - exc. Turbo	33-2079	HP-4001
944	2.5L L4 F/I - Turbo	33-2081	HP-4001
944	2.7L L4 F/I	33-2079	
944	3.0L L4 F/I	33-2807	
944 S	2.5L L4 F/I	33-2640	HP-4001

Vehicle	Engine Type	Air Filter	Oil Filter
<b>1987 PORSCHE</b>			
911	3.2L H6 F/I	33-2076	HP-4004
911	3.3L H6 F/I	33-2530	HP-4004
924	2.0L L4 F/I	33-2003	
924	2.5L L4 F/I	33-2079	HP-4001
928	4.9L V8 F/I	33-2591	
928	5.0L V8 F/I	33-2591	
930	3.0L F6 F/I - Turbo	33-2530	
944	2.5L L4 F/I - exc. Turbo	33-2079	
944	2.5L L4 F/I - Turbo	33-2081	
944 S	2.5L L4 F/I	33-2640	

Vehicle	Engine Type	Air Filter	Oil Filter
<b>1986 PORSCHE</b>			
911	3.2L H6 F/I	33-2076	HP-4004
911	3.3L H6 F/I	33-2530	HP-4004
924	2.5L L4 F/I	33-2079	
924 Carrera GT	2.0L L4 F/I	33-2570	
928	4.6L V8 F/I	33-2591	
928	4.9L V8 F/I	33-2591	
928	5.0L V8 F/I	33-2591	
930	3.0L F6 F/I - Turbo	33-2530	
944	2.5L L4 F/I		HP-4001
944	2.5L L4 F/I - exc. Turbo	33-2079	HP-4001
944	2.5L L4 F/I - Turbo	33-2081	HP-4001
944 S	2.5L L4 F/I	33-2640	

Vehicle	Engine Type	Air Filter	Oil Filter
<b>1985 PORSCHE</b>			
911	3.2L H6 F/I	33-2076	HP-4004
911	3.2L H6 F/I - Turbo	33-2530	HP-4004
911	3.3L H6 F/I	33-2530	HP-4004
924	2.0L L4 F/I - Non-Turbo	33-2003 ♦	
924	2.0L L4 F/I - Turbo	33-2570 ♦	
924	2.5L L4 F/I	33-2079	
924 Carrera GT	2.0L L4 F/I	33-2570	
928	4.6L V8 F/I	33-2591	
928	4.7L V8 F/I	33-2591	
928	4.9L V8 F/I	33-2591	
928	5.0L V8 F/I	33-2591	
930	3.0L F6 F/I - Turbo	33-2530	
944	2.5L L4 F/I		HP-4001
944	2.5L L4 F/I - Non-US, exc. Turbo	33-2079	HP-4001
944	2.5L L4 F/I - Non-US, Turbo	33-2081	HP-4001
944	2.5L L4 F/I - US	33-2079	HP-4001

Vehicle	Engine Type	Air Filter	Oil Filter
<b>1984 PORSCHE</b>			
911	3.2L H6 F/I		HP-4004
911	3.2L H6 F/I - exc. Turbo	33-2076	HP-4004
911	3.2L H6 F/I - Turbo	33-2530	HP-4004
911	3.3L H6 F/I	33-2530	HP-4004

Vehicle	Engine Type	Air Filter	Oil Filter
<b>1984 PORSCHE</b>			
924	2.0L L4 F/I - Non-Turbo	33-2003 ♦	
924	2.0L L4 F/I - Turbo	33-2570 ♦	
924 Carrera GT	2.0L L4 F/I	33-2570	
928	4.6L V8 F/I	33-2591	
928	4.7L V8 F/I	33-2591	
930	3.0L F6 F/I - Turbo	33-2530	
944	2.5L L4 F/I	33-2079	HP-4001

Vehicle	Engine Type	Air Filter	Oil Filter
<b>1983 PORSCHE</b>			
911	3.0L H6 F/I	33-2004	HP-4004
911	3.2L H6 F/I	33-2076	
911	3.3L H6 F/I	33-2530	HP-4004
924	2.0L L4 F/I - Non-Turbo	33-2003 ♦	
924	2.0L L4 F/I - Turbo	33-2570 ♦	
924 Carrera GT	2.0L L4 F/I	33-2570	
928	4.6L V8 F/I	33-2591	
928	4.7L V8 F/I	33-2591	
944	2.5L L4 F/I	33-2079	HP-4001

Vehicle	Engine Type	Air Filter	Oil Filter
<b>1982 PORSCHE</b>			
911	3.0L H6 F/I	33-2004	HP-4004
911	3.3L H6 F/I	33-2530	
924	2.0L L4 F/I		HP-2005
924	2.0L L4 F/I - exc. Turbo	33-2003	HP-2005
924	2.0L L4 F/I - Turbo	33-2570 ♦	HP-2005
924 Carrera GT	2.0L L4 F/I	33-2570	
928	4.4L V8 F/I	33-2591	
928	4.5L V8 F/I	33-2591	
928	4.6L V8 F/I	33-2591	
930	3.0L F6 F/I - Turbo	33-2530	
944	2.5L L4 F/I	33-2079	

Vehicle	Engine Type	Air Filter	Oil Filter
<b>1981 PORSCHE</b>			
911	3.0L H6 F/I	33-2004	HP-4004
911	3.3L H6 F/I	33-2530	
924	2.0L L4 F/I		HP-2005
924	2.0L L4 F/I - exc. Turbo	33-2003	HP-2005
924	2.0L L4 F/I - Turbo	33-2570 ♦	HP-2005
924 Carrera GT	2.0L L4 F/I	33-2570	
928	4.4L V8 F/I	33-2591	
928	4.5L V8 F/I	33-2591	
928	4.6L V8 F/I	33-2591	
944	2.5L L4 F/I	33-2079	

Vehicle	Engine Type	Air Filter	Oil Filter
<b>1980 PORSCHE</b>			
911	3.0L H6 F/I	33-2004	HP-4004
911	3.0L H6 F/I - Non-US, 180BHP	33-2530	HP-4004
911	3.0L H6 F/I - Non-US, Exc., 180BHP	33-2004	HP-4004
911	3.3L H6 F/I	33-2530	
924	2.0L L4 F/I		HP-2005
924	2.0L L4 F/I - exc. Turbo	33-2003	HP-2005
924	2.0L L4 F/I - Turbo	33-2570 ♦	HP-2005
924 Carrera GT	2.0L L4 F/I	33-2570	
928	4.4L V8 F/I	33-2591	
928	4.5L V8 F/I	33-2591	
928	4.6L V8 F/I	33-2591	
930	3.0L F6 F/I - Turbo	33-2530	

Vehicle	Engine Type	Air Filter	Oil Filter
<b>1979 PORSCHE</b>			
911	3.0L H6 F/I		HP-4004
911	3.0L H6 F/I - Non-US, 180BHP	33-2530	HP-4004
911	3.0L H6 F/I - Non-US, Exc., 180BHP	33-2004	HP-4004
911	3.0L H6 F/I - US	33-2004	HP-4004
911	3.3L H6 F/I	33-2530	

\*Indicates 2 filters required      ♦ - Intake kit available      Applications updated daily at [knfilters.com](http://knfilters.com) ®

Partial Listing - Complete List of Vehicles and Applications at [knfilters.com](http://knfilters.com)

# PORSCHE

# AIR & OIL FILTERS

Vehicle	Engine Type	Air Filter	Oil Filter
<b>1979 PORSCHE</b>			
911 Carrera	2.7L H6 F/I	E-2380	
924	2.0L L4 F/I		HP-2005
924	2.0L L4 F/I - Non-US, exc. Turbo	33-2003 ♦	HP-2005
924	2.0L L4 F/I - Non-US, Turbo	33-2570 ♦	HP-2005
924	2.0L L4 F/I - US	33-2003	HP-2005
928	4.4L V8 F/I	33-2591	
928	4.5L V8 F/I	33-2591	
928	4.6L V8 F/I	33-2591	
930	3.3L H6 F/I	33-2530	HP-4004

Vehicle	Engine Type	Air Filter	Oil Filter
<b>1978 PORSCHE</b>			
911	3.0L H6 F/I		HP-4004
911	3.0L H6 F/I - Non-US, 180BHP	33-2530	HP-4004
911	3.0L H6 F/I - Non-US, Exc., 180BHP	33-2004	HP-4004
911	3.0L H6 F/I - US	33-2004	HP-4004
911	3.3L H6 F/I	33-2530	
911 Carrera	2.7L H6 F/I	E-2380	
924	2.0L L4 F/I		HP-2005
924	2.0L L4 F/I - Non-US, exc. Turbo	33-2003	HP-2005
924	2.0L L4 F/I - Non-US, Turbo	33-2570	HP-2005
924	2.0L L4 F/I - US	33-2003	HP-2005
928	4.4L V8 F/I	33-2591	
928	4.5L V8 F/I	33-2591	
930	3.3L H6 F/I	33-2530	HP-4004

Vehicle	Engine Type	Air Filter	Oil Filter
<b>1977 PORSCHE</b>			
911	2.7L H6 F/I	33-2004	HP-4004
911	3.0L H6 F/I		HP-4004
911	3.0L H6 F/I - Non-US, 180BHP	33-2530	HP-4004
911	3.0L H6 F/I - Non-US, Exc., 180BHP	33-2004	HP-4004
911	3.0L H6 F/I - US	33-2004	HP-4004
911	3.3L H6 F/I	33-2530	
911 Carrera	2.7L H6 F/I	E-2380	
924	2.0L L4 F/I	33-2003	HP-2005
928	4.4L V8 F/I	33-2591	

Vehicle	Engine Type	Air Filter	Oil Filter
<b>1976 PORSCHE</b>			
911	2.7L H6 F/I	33-2004	HP-4004
911	3.0L H6 F/I	33-2004	HP-4004
911 Carrera	2.7L H6 F/I	E-2380	
912	2.0L H4 F/I	33-2003	HP-2004
914	2.0L H4 F/I	33-2003	HP-2004

Vehicle	Engine Type	Air Filter	Oil Filter
<b>1975 PORSCHE</b>			
911	2.7L H6 F/I	33-2004	HP-4004
911	3.0L H6 F/I	33-2004	
911 Carrera	2.7L H6 F/I	E-2380	HP-4004
914	1.8L H4 F/I	33-2003	HP-2004
914	2.0L H4 F/I	33-2003	HP-2004

Vehicle	Engine Type	Air Filter	Oil Filter
<b>1974 PORSCHE</b>			
911	2.7L H6 F/I	33-2004	HP-4004
911	3.0L H6 F/I	33-2004	
911 Carrera	2.7L H6 F/I	E-2380	HP-4004
914	1.8L H4 F/I	33-2003	HP-2004
914	2.0L H4 F/I	33-2003	HP-2004

Vehicle	Engine Type	Air Filter	Oil Filter
<b>1973 PORSCHE</b>			
911	2.3L H6 CARB	E-2380	
911	2.3L H6 F/I	E-2380	
911	2.4L H4 F/I	E-2380	
911	2.4L H6 F/I	E-2380	HP-4004

Vehicle	Engine Type	Air Filter	Oil Filter
<b>1973 PORSCHE</b>			
911 Carrera	2.7L H6 F/I	E-2380	
914	1.7L H4 F/I		HP-2004
914	2.0L H4 F/I	33-2003	HP-2004
914/6	2.0L H6 CARB	E-2380	

Vehicle	Engine Type	Air Filter	Oil Filter
<b>1972 PORSCHE</b>			
911	2.2L H6 CARB	E-2380	
911	2.2L H6 F/I	E-2380	
911	2.4L H6 F/I	E-2380	HP-4004
911 Carrera	2.7L H6 F/I	E-2380	
914	1.7L H4 F/I	E-2381	HP-2004
914	2.0L H6 CARB	E-2380	
914/6	2.0L H6 CARB	E-2380	

Vehicle	Engine Type	Air Filter	Oil Filter
<b>1971 PORSCHE</b>			
911	2.2L H6 CARB	E-2380	HP-3001
911	2.2L H6 F/I	E-2380	HP-3001
911	2.4L H6 CARB	E-2380	
914	1.7L H4 F/I		HP-2004
914	2.0L H6 CARB	E-2380	HP-3001
914/6	2.0L H6 CARB	E-2380	

Vehicle	Engine Type	Air Filter	Oil Filter
<b>1970 PORSCHE</b>			
911	2.0L H6 CARB	E-2380	
911	2.2L H6 CARB	E-2380	HP-3001
911	2.2L H6 F/I	E-2380	HP-3001
914	1.7L H4 F/I		HP-2004
914	2.0L H6 CARB	E-2380	HP-3001
914/6	2.0L H6 CARB	E-2380	

Vehicle	Engine Type	Air Filter	Oil Filter
<b>1969 PORSCHE</b>			
911	2.0L H6 CARB	E-2380	HP-3001
911	2.0L H6 F/I	E-2380	HP-3001
911	2.2L H6 CARB	E-2380	
911	2.2L H6 F/I	E-2380	
912	1.6L H4 F/I	E-4490	

Vehicle	Engine Type	Air Filter	Oil Filter
<b>1968 PORSCHE</b>			
911	2.0L H6 CARB	E-2380	HP-3001
912	1.6L H4 F/I	E-4490	

Vehicle	Engine Type	Air Filter	Oil Filter
<b>1967 PORSCHE</b>			
911	2.0L H6 CARB	E-2380	HP-3001
912	1.6L H4 CARB	E-4490	

Vehicle	Engine Type	Air Filter	Oil Filter
<b>1966 PORSCHE</b>			
911	2.0L H6 CARB	E-2380	HP-3001
912	1.6L H4 CARB	E-4490	

Vehicle	Engine Type	Air Filter	Oil Filter
<b>1965 PORSCHE</b>			
356C	1.6L H4 CARB	E-2290	
356SC	1.6L H4 CARB	E-2290	
911	2.0L H6 CARB	E-2380	HP-3001
912	1.6L H4 CARB	E-4490	

Vehicle	Engine Type	Air Filter	Oil Filter
<b>1964 PORSCHE</b>			
356SC	1.6L H4 CARB	E-2290	

Vehicle	Engine Type	Air Filter	Oil Filter
<b>1963 PORSCHE</b>			
356SC	1.6L H4 CARB - Zenith 32/40 DNIX	E-2291	

Vehicle	Engine Type	Air Filter	Oil Filter
<b>1962 PORSCHE</b>			
356B	1.6L H4 CARB - Zenith 32/40 DNIX	E-2291	

Vehicle	Engine Type	Air Filter	Oil Filter
<b>1960 PORSCHE</b>			
356B	1.6L H4 CARB	E-2290	
356B	1.6L H4 CARB - Exc., Zenith 32/40 DNIX	E-2290	

\*Indicates 2 filters required      ♦ - Intake kit available      Applications updated daily at [knfilters.com](http://knfilters.com) ®

Vehicle	Engine Type	Air Filter	Oil Filter
<b>1960 PORSCHE</b>			
356B	1.6L H4 CARB - Zenith 32/40 DNIX	E-2291	
<b>2003 PROTON</b>			
Satria	1.8L L4 F/I - 132BHP, 16v	33-2074 ♦	
<b>2002 PROTON</b>			
Satria	1.8L L4 F/I - 132BHP, 16v	33-2074 ♦	
<b>2001 PROTON</b>			
Satria	1.8L L4 F/I - 132BHP, 16v	33-2074 ♦	
<b>2000 PROTON</b>			
Satria	1.8L L4 F/I - 132BHP, 16v, from 3/00	33-2074 ♦	
<b>1996 PROTON</b>			
Persona	1.8L - 16v, 418	33-2074	
<b>1993 PROTON</b>			
Persona	1.5L L4 F/I - 12v, 415	33-2074	
Persona	1.6L - 16v, 416	33-2074	
<b>1992 PROTON</b>			
Aerodeck	1.3L - GL, GLS 12v	E-9199	
Aerodeck	1.3L L4 F/I - GE, GLS	E-2875	
Aerodeck	1.5L - GL, GLS 12v	E-9199	
Aerodeck	1.5L L4 F/I - GE, GLS	E-2875	
<b>1991 PROTON</b>			
Aerodeck	1.3L - GL, GLS 12v	E-9199	
Aerodeck	1.5L - GL, GLS 12v	E-9199	
<b>1990 RELIANT</b>			
SS1	1.8L L4 F/I - 135BHP, 8v, OHC, Turbo, TI	33-2603	
<b>1979 RELIANT</b>			
Scimitar	3.0L V6 CARB - GTE	E-2640	
<b>2011 RENAULT</b>			
Clio III	1.2L L4 F/I - exc. Turbo	33-2925 ♦	
Clio III	1.2L L4 F/I - Turbo	33-2927 ♦	
Clio III	1.5L L4 DSL	33-2927	
Clio III	1.6L L4 F/I	33-2927 ♦	
Clio III	2.0L L4 F/I	33-2927 ♦	
Espace IV	2.0L L4 DSL	33-2237	
Espace IV	2.0L L4 F/I - Turbo	33-2237	
Fluence	1.5L L4 DSL	33-2849	
Fluence	1.6L L4 F/I	33-2849	
Fluence	2.0L L4 F/I	33-2849	
Kangoo	1.5L L4 DSL	33-2849	
Kangoo	1.6L L4 F/I	33-2194	
Laguna III	1.5L L4 DSL	33-2793	
Laguna III	2.0L L4 DSL	33-2793	
Laguna III	2.0L L4 F/I	33-2793	
Latitude	2.0L L4 DSL	33-2793	
Megane III	1.4L L4 F/I	33-2849	
Megane III	1.5L L4 DSL	33-2849	
Megane III	1.6L L4 F/I	33-2849 ♦	
Megane III	1.9L L4 DSL	33-2849	
Megane III	2.0L L4 F/I	33-2849	
Modus	1.2L L4 F/I	33-2925	
Modus	1.5L L4 DSL	33-2927	
Modus	1.6L L4 F/I	33-2927	
Scenic III	1.4L L4 F/I	33-2849	
Scenic III	1.5L L4 DSL	33-2849	
Scenic III	1.6L L4 F/I	33-2849	
Scenic III	1.9L L4 DSL	33-2849	

Vehicle	Engine Type	Air Filter	Oil Filter
<b>2011 RENAULT</b>			
Twingo	1.2L L4 F/I - 16v	33-2925	
<b>2010 RENAULT</b>			
Clio III	1.2L L4 F/I - exc. Turbo	33-2925 ♦	
Clio III	1.2L L4 F/I - Turbo	33-2927 ♦	
Clio III	1.4L L4 F/I	33-2927	
Clio III	1.5L L4 DSL	33-2927	
Clio III	1.6L L4 F/I	33-2927 ♦	
Clio III	2.0L L4 F/I	33-2927 ♦	
Espace IV	2.0L L4 DSL	33-2237	
Espace IV	2.0L L4 F/I - Turbo	33-2237	
Fluence	1.5L L4 DSL	33-2849	
Fluence	1.6L L4 F/I	33-2849	
Fluence	2.0L L4 F/I	33-2849	
Kangoo	1.5L L4 DSL	33-2849	
Kangoo	1.6L L4 F/I	33-2194	
Koleos	2.5L L4 F/I	33-2944	HP-1008
Laguna III	1.5L L4 DSL	33-2793	
Laguna III	1.6L L4 F/I	33-2793	
Laguna III	2.0L L4 DSL	33-2793	
Laguna III	2.0L L4 F/I	33-2793	
Latitude	2.0L L4 DSL	33-2793	
Megane III	1.4L L4 F/I	33-2849	
Megane III	1.5L L4 DSL	33-2849	
Megane III	1.6L L4 F/I	33-2849 ♦	
Megane III	1.9L L4 DSL	33-2849	
Megane III	2.0L L4 F/I	33-2849	
Modus	1.2L L4 F/I	33-2925	
Modus	1.5L L4 DSL	33-2927	
Modus	1.6L L4 F/I	33-2927	
Scenic II	2.0L L4 F/I		HP-1008
Scenic III	1.4L L4 F/I	33-2849	
Scenic III	1.5L L4 DSL	33-2849	
Scenic III	1.6L L4 F/I	33-2849	
Scenic III	1.9L L4 DSL	33-2849	
Scenic III	2.0L L4 DSL	33-2849	
Twingo	1.2L L4 F/I - 16v	33-2925 ♦	
<b>2009 RENAULT</b>			
Clio	1.6L L4 F/I	33-2927	
Clio III	1.2L L4 F/I - 101BHP	33-2927 ♦	
Clio III	1.2L L4 F/I - Exc., 101BHP	33-2925 ♦	
Clio III	1.4L L4 F/I	33-2927 ♦	
Clio III	1.5L L4 DSL	33-2927	
Clio III	1.6L L4 F/I	33-2927 ♦	
Clio III	2.0L L4 F/I	33-2927 ♦	
Espace IV	2.0L L4 DSL	33-2237	
Espace IV	2.0L L4 F/I - Turbo	33-2237	
Grand Scenic	1.5L L4 DSL	33-2849	
Grand Scenic	1.6L L4 F/I	33-2849	
Grand Scenic	1.9L L4 DSL	33-2849	
Grand Scenic	2.0L L4 DSL	33-2849	
Grand Scenic	2.0L L4 F/I	33-2849	
Kangoo	1.5L L4 DSL	33-2849	
Kangoo	1.6L L4 F/I	33-2194	
Koleos	2.5L L4 F/I	33-2409	
Laguna III	1.5L L4 DSL	33-2793	
Laguna III	1.6L L4 F/I	33-2793	
Laguna III	2.0L L4 DSL	33-2793	
Laguna III	2.0L L4 F/I	33-2793	
Master III	1.9L L4 DSL	33-2884	
Master III	2.2L L4 DSL	33-2892	
Master III	2.5L L4 DSL	33-2892	
Master III	3.0L V6 DSL	33-2891	

\*Indicates 2 filters required

♦ - Intake kit available

Applications updated daily at [knfilters.com](http://knfilters.com) ®

**Partial Listing - Complete List of Vehicles and Applications at [knfilters.com](http://knfilters.com)**

# RENAULT

# AIR & OIL FILTERS

Vehicle	Engine Type	Air Filter	Oil Filter	Vehicle	Engine Type	Air Filter	Oil Filter
<b>2009 RENAULT</b>				<b>2008 RENAULT</b>			
Megane	1.6L L4 F/I	33-2849		Megane III	2.0L L4 F/I - exc. 180bhp	33-2849	
Megane	2.0L L4 F/I	33-2849		Modus	1.2L L4 F/I	33-2925	
Megane II	2.0L L4 DSL	33-2849		Modus	1.5L L4 DSL	33-2927	
Megane III	1.5L L4 DSL	33-2849		Modus	1.6L L4 F/I	33-2927	
Megane III	1.6L L4 F/I	33-2849 ♦		Scenic II	1.4L L4 F/I	33-2194	
Megane III	1.9L L4 DSL	33-2849		Scenic II	1.5L L4 DSL	33-2849	
Megane III	2.0L L4 F/I	33-2849		Scenic II	1.6L L4 F/I	33-2849	
Modus	1.2L L4 F/I	33-2925		Scenic II	1.9L L4 DSL	33-2849	
Modus	1.5L L4 DSL	33-2927		Scenic II	2.0L L4 DSL	33-2849	
Modus	1.6L L4 F/I	33-2927		Scenic II	2.0L L4 F/I	33-2849	
Scenic II	1.4L L4 F/I	33-2194		Twingo	1.2L L4 F/I - 16v	33-2925 ♦	
Scenic II	1.5L L4 DSL	33-2849		Twingo	1.2L L4 F/I - 8v	E-9238 ♦	
Scenic II	1.6L L4 F/I	33-2849		Vel Satis	2.0L L4 F/I	33-2237	
Scenic II	1.9L L4 DSL	33-2849		Vel Satis	2.2L L4 DSL	33-2237	
Scenic II	2.0L L4 DSL	33-2849		Vel Satis	3.0L V6 DSL	33-2237	
Scenic II	2.0L L4 F/I	33-2849	HP-1008	Vel Satis	3.5L V6 F/I	33-2237	
Scenic III	1.4L L4 F/I	33-2849		<b>2007 RENAULT</b>			
Scenic III	1.5L L4 DSL	33-2849		Clio	1.6L L4 F/I	33-2927	
Scenic III	1.9L L4 DSL	33-2849		Clio III	1.2L L4 F/I - 101BHP	33-2927 ♦	
Scenic III	2.0L L4 DSL	33-2849		Clio III	1.2L L4 F/I - Exc., 101BHP	33-2925 ♦	
Twingo	1.2L L4 F/I - 16v	33-2925 ♦		Clio III	1.4L L4 F/I	33-2927 ♦	
Twingo	1.2L L4 F/I - 8v	E-9238 ♦		Clio III	1.5L L4 DSL	33-2927	
Vel Satis	2.0L L4 F/I	33-2237		Clio III	1.6L L4 F/I	33-2927 ♦	
Vel Satis	2.2L L4 DSL	33-2237		Clio III	2.0L L4 F/I	33-2927 ♦	
Vel Satis	3.0L V6 DSL	33-2237		Espace IV	2.0L L4 DSL	33-2237	
Vel Satis	3.5L V6 F/I	33-2237		Espace IV	2.0L L4 F/I - Turbo	33-2237	
<b>2008 RENAULT</b>				Grand Scenic	1.5L L4 DSL	33-2849	
Clio	1.6L L4 F/I	33-2927		Grand Scenic	1.6L L4 F/I	33-2849	
Clio III	1.2L L4 F/I - 101BHP	33-2927 ♦		Grand Scenic	1.9L L4 DSL	33-2849	
Clio III	1.2L L4 F/I - Exc., 101BHP	33-2925 ♦		Grand Scenic	2.0L L4 DSL	33-2849	
Clio III	1.4L L4 F/I	33-2927 ♦		Grand Scenic	2.0L L4 F/I	33-2849	
Clio III	1.5L L4 DSL	33-2927		Kangoo	1.2L L4 F/I - 16v	33-2860	
Clio III	1.6L L4 F/I	33-2927 ♦		Kangoo	1.5L L4 DSL	33-2864	
Clio III	2.0L L4 F/I	33-2927 ♦		Kangoo	1.6L L4 F/I	33-2194	
Espace IV	2.0L L4 DSL	33-2337		Laguna II	1.6L L4 F/I	33-2194	
Espace IV	2.0L L4 F/I - Turbo	33-2237		Laguna II	1.8L L4 F/I	33-2194	
Grand Scenic	1.5L L4 DSL	33-2849		Laguna II	1.9L L4 DSL	33-2237	
Grand Scenic	1.6L L4 F/I	33-2849		Laguna II	2.0L L4 F/I - 135BHP	33-2194	
Grand Scenic	1.9L L4 DSL	33-2849		Laguna II	2.0L L4 F/I - Exc., 135BHP	33-2237	
Grand Scenic	2.0L L4 DSL	33-2849		Laguna II	2.2L L4 DSL	33-2237	
Grand Scenic	2.0L L4 F/I	33-2849		Laguna II	3.0L V6 F/I	33-2237	
Kangoo	1.5L L4 DSL	33-2849		Laguna III	1.5L L4 DSL	33-2793	
Kangoo	1.6L L4 F/I	33-2194		Laguna III	1.6L L4 F/I	33-2793	
Koleos	2.5L V6 F/I	33-2409		Laguna III	2.0L L4 DSL	33-2793	
Laguna III	1.5L L4 DSL	33-2793		Laguna III	2.0L L4 F/I	33-2793	
Laguna III	1.6L L4 F/I	33-2793		Master III	1.9L L4 DSL	33-2884	
Laguna III	2.0L L4 DSL	33-2793		Master III	2.2L L4 DSL	33-2892	
Laguna III	2.0L L4 F/I	33-2793		Master III	2.5L L4 DSL	33-2892	
Master III	1.9L L4 DSL	33-2884		Master III	3.0L V6 DSL	33-2891	
Master III	2.2L L4 DSL	33-2892		Megane	2.0L L4 F/I	33-2849	
Master III	2.5L L4 DSL	33-2892		Megane II	1.4L L4 F/I	33-2194	
Master III	3.0L V6 DSL	33-2891		Megane II	1.5L L4 DSL	33-2849	
Megane	1.6L L4 F/I	33-2849		Megane II	1.6L L4 F/I	33-2849 ♦	
Megane	2.0L L4 F/I	33-2849		Megane II	1.9L L4 DSL	33-2849	
Megane II	1.5L L4 DSL	33-2849		Megane II	2.0L L4 DSL	33-2849	
Megane II	1.6L L4 F/I	33-2849 ♦		Megane II	2.0L L4 F/I	33-2849 ♦	
Megane II	1.9L L4 DSL	33-2849		Modus	1.2L L4 F/I	33-2925	
Megane II	2.0L L4 DSL	33-2849		Modus	1.5L L4 DSL	33-2927	
Megane II	2.0L L4 F/I	33-2849 ♦		Modus	1.6L L4 F/I	33-2927	
Megane III	1.5L L4 DSL	33-2849		Scenic II	1.4L L4 F/I	33-2194	
Megane III	1.6L L4 F/I	33-2849		Scenic II	1.5L L4 DSL	33-2849	
Megane III	1.9L L4 DSL	33-2849		Scenic II	1.6L L4 F/I	33-2849	

\*Indicates 2 filters required

♦ - Intake kit available

Applications updated daily at [knfilters.com](http://knfilters.com) ®



# AIR & OIL FILTERS

# RENAULT

Vehicle	Engine Type	Air Filter	Oil Filter	Vehicle	Engine Type	Air Filter	Oil Filter
<b>2007 RENAULT</b>				<b>2005 RENAULT</b>			
Scenic II	1.9L L4 DSL	33-2849		Clio	1.6L L4 F/I - 16v	33-2194	
Scenic II	2.0L L4 DSL	33-2849		Clio	2.0L L4 F/I	33-2863	
Scenic II	2.0L L4 F/I	33-2849		Clio II	1.2L L4 F/I	33-2860 ♦	
Twingo	1.2L L4 F/I - 16v	33-2925 ♦		Clio II	1.4L L4 F/I - 16v	33-2194 ♦	
Twingo	1.2L L4 F/I - 8v	E-9238 ♦		Clio II	1.4L L4 F/I - 8v	33-2673 ♦	
Vel Satis	2.0L L4 F/I	33-2237		Clio II	1.5L L4 DSL	33-2864 ♦	
Vel Satis	2.2L L4 DSL	33-2237		Clio II	1.6L L4 F/I - 16v	33-2194 ♦	
Vel Satis	3.0L V6 DSL	33-2237		Clio II	1.6L L4 F/I - 8v	33-2673 ♦	
Vel Satis	3.5L V6 F/I	33-2237		Clio II	1.9L L4 DSL	33-2215	
<b>2006 RENAULT</b>				Clio II	2.0L L4 F/I	33-2863 ♦	
Clio	1.6L L4 F/I	33-2927		Clio III	1.2L L4 F/I	33-2925	
Clio	2.0L L4 F/I	33-2927		Clio III	1.4L L4 F/I	33-2927 ♦	
Clio III	1.2L L4 F/I	33-2925		Clio III	1.5L L4 DSL	33-2927	
Clio III	1.4L L4 F/I	33-2927 ♦		Clio III	1.6L L4 F/I	33-2927 ♦	
Clio III	1.5L L4 DSL	33-2927		Clio III	2.0L L4 F/I	33-2927 ♦	
Clio III	1.6L L4 F/I	33-2927 ♦		Espace IV	1.9L L4 DSL	33-2237	
Clio III	2.0L L4 F/I	33-2927 ♦		Espace IV	2.0L L4 F/I - exc. Turbo	33-2194	
Espace IV	2.0L L4 DSL	33-2237		Espace IV	2.0L L4 F/I - Turbo	33-2237	
Espace IV	2.0L L4 F/I - Turbo	33-2237		Espace IV	2.2L L4 DSL	33-2237	
Espace IV	2.2L L4 DSL - to 4/06	33-2237		Espace IV	3.0L V6 DSL	33-2237	
Grand Scenic	1.5L L4 DSL	33-2849		Espace IV	3.5L V6 F/I - to 9/05	33-2237	
Grand Scenic	1.6L L4 F/I	33-2849		Grand Scenic	1.5L L4 DSL	33-2849	
Grand Scenic	1.9L L4 DSL	33-2849		Grand Scenic	1.6L L4 F/I	33-2849	
Grand Scenic	2.0L L4 DSL	33-2849		Grand Scenic	1.9L L4 DSL	33-2849	
Grand Scenic	2.0L L4 F/I	33-2849		Grand Scenic	2.0L L4 DSL	33-2849	
Kangoo	1.2L L4 F/I - 16v	33-2860		Grand Scenic	2.0L L4 F/I	33-2849	
Kangoo	1.5L L4 DSL	33-2864		Kangoo	1.2L L4 F/I - 16v	33-2860	
Kangoo	1.6L L4 F/I	33-2194		Kangoo	1.2L L4 F/I - 8v	E-9238	
Laguna II	1.6L L4 F/I	33-2194		Kangoo	1.4L L4 F/I	33-2673	
Laguna II	1.8L L4 F/I	33-2194		Kangoo	1.5L L4 DSL	33-2864	
Laguna II	1.9L L4 DSL	33-2237		Kangoo	1.6L L4 F/I	33-2194	
Laguna II	2.0L L4 F/I - 135BHP	33-2194		Kangoo	1.9L L4 DSL	33-2215	
Laguna II	2.0L L4 F/I - Exc., 135BHP	33-2237		Laguna II	1.6L L4 F/I	33-2194	
Laguna II	2.2L L4 DSL	33-2237		Laguna II	1.8L L4 F/I	33-2194	
Laguna II	3.0L V6 F/I	33-2237		Laguna II	1.9L L4 DSL	33-2237	
Master III	1.9L L4 DSL	33-2884		Laguna II	2.0L L4 F/I - 135BHP	33-2194	
Master III	2.2L L4 DSL	33-2892		Laguna II	2.0L L4 F/I - Exc., 135BHP	33-2237	
Master III	2.5L L4 DSL	33-2892		Laguna II	2.2L L4 DSL	33-2237	
Master III	3.0L V6 DSL	33-2891		Laguna II	3.0L V6 F/I	33-2237	
Megane	2.0L L4 F/I	33-2849		Master III	1.9L L4 DSL	33-2884	
Megane II	1.4L L4 F/I	33-2194		Master III	2.2L L4 DSL	33-2892	
Megane II	1.5L L4 DSL	33-2849		Master III	2.5L L4 DSL	33-2892	
Megane II	1.6L L4 F/I	33-2849 ♦		Master III	3.0L V6 DSL	33-2891	
Megane II	1.9L L4 DSL	33-2849		Megane	2.0L L4 F/I	33-2849	
Megane II	2.0L L4 DSL	33-2849		Megane II	1.4L L4 F/I	33-2194	
Megane II	2.0L L4 F/I	33-2849 ♦		Megane II	1.5L L4 DSL	33-2849	
Modus	1.2L L4 F/I	33-2925		Megane II	1.6L L4 F/I	33-2849 ♦	
Modus	1.5L L4 DSL	33-2927		Megane II	1.9L L4 DSL	33-2849	
Modus	1.6L L4 F/I	33-2927		Megane II	2.0L L4 DSL	33-2849	
Scenic II	1.4L L4 F/I	33-2194		Megane II	2.0L L4 F/I	33-2849 ♦	
Scenic II	1.5L L4 DSL	33-2849		Modus	1.2L L4 F/I	33-2925	
Scenic II	1.6L L4 F/I	33-2849		Modus	1.4L L4 F/I	33-2864	
Scenic II	1.9L L4 DSL	33-2849		Modus	1.5L L4 DSL	33-2927	
Scenic II	2.0L L4 DSL	33-2849		Modus	1.6L L4 F/I	33-2927	
Scenic II	2.0L L4 F/I	33-2849		Scenic II	1.4L L4 F/I	33-2194	
Trafic II	2.0L L4 F/I	33-2194		Scenic II	1.5L L4 DSL	33-2849	
Twingo	1.2L L4 F/I - 60BHP	33-2925 ♦		Scenic II	1.6L L4 F/I	33-2849	
Vel Satis	2.0L L4 F/I	33-2237		Scenic II	1.9L L4 DSL	33-2849	
Vel Satis	2.2L L4 DSL	33-2237		Scenic II	2.0L L4 DSL	33-2849	
Vel Satis	3.0L V6 DSL	33-2237		Scenic II	2.0L L4 F/I	33-2849	
Vel Satis	3.5L V6 F/I	33-2237		Trafic II	1.9L L4 DSL	33-2215	
				Trafic II	2.0L L4 F/I	33-2194	
				Twingo	1.2L L4 F/I - 54/58BHP	E-9238 ♦	

\*Indicates 2 filters required      ♦ - Intake kit available      Applications updated daily at [knfilters.com](http://knfilters.com) ®

**Partial Listing - Complete List of Vehicles and Applications at [knfilters.com](http://knfilters.com)**

# RENAULT

# AIR & OIL FILTERS

Vehicle	Engine Type	Air Filter	Oil Filter	Vehicle	Engine Type	Air Filter	Oil Filter
<b>2005 RENAULT</b>				<b>2004 RENAULT</b>			
Twingo	1.2L L4 F/I - 60BHP	33-2925 ♦		Twingo	1.2L L4 F/I - 60BHP	33-2925 ♦	
Twingo	1.2L L4 F/I - 75BHP	33-2860 ♦		Twingo	1.2L L4 F/I - 75BHP	33-2860 ♦	
Vel Satis	2.0L L4 F/I	33-2237		Vel Satis	2.0L L4 F/I	33-2237	
Vel Satis	2.2L L4 DSL	33-2237		Vel Satis	2.2L L4 DSL	33-2237	
Vel Satis	3.0L V6 DSL	33-2237		Vel Satis	3.0L V6 DSL	33-2237	
Vel Satis	3.5L V6 F/I	33-2237		Vel Satis	3.5L V6 F/I	33-2237	
<b>2004 RENAULT</b>				<b>2003 RENAULT</b>			
Clio	1.6L L4 F/I - 16v	33-2194		Clio	1.6L L4 F/I - 16v	33-2194	
Clio	2.0L L4 F/I	33-2863		Clio	2.0L L4 F/I	33-2863	
Clio II	1.2L L4 F/I - 16v	33-2860 ♦		Clio II	1.2L L4 F/I - 16v	33-2860 ♦	
Clio II	1.2L L4 F/I - 8v	E-9238 ♦		Clio II	1.2L L4 F/I - 8v	E-9238 ♦	
Clio II	1.4L L4 F/I - 16v	33-2194 ♦		Clio II	1.4L L4 F/I - 16v	33-2194 ♦	
Clio II	1.4L L4 F/I - 8v	33-2673 ♦		Clio II	1.4L L4 F/I - 8v	33-2673 ♦	
Clio II	1.5L L4 DSL	33-2864 ♦		Clio II	1.5L L4 DSL	33-2864 ♦	
Clio II	1.6L L4 F/I - 16v	33-2194 ♦		Clio II	1.6L L4 F/I - 16v	33-2194 ♦	
Clio II	1.6L L4 F/I - 8v	33-2673 ♦		Clio II	1.6L L4 F/I - 8v	33-2673 ♦	
Clio II	1.9L L4 DSL	33-2215		Clio II	1.9L L4 DSL	33-2215	
Clio II	2.0L L4 F/I	33-2863 ♦		Clio II	2.0L L4 F/I	33-2863 ♦	
Espace III	2.2L L4 DSL	33-2237		Espace IV	1.9L L4 DSL	33-2237	
Espace IV	1.9L L4 DSL	33-2237		Espace IV	2.0L L4 F/I - exc. Turbo	33-2194	
Espace IV	2.0L L4 F/I - exc. Turbo	33-2194		Espace IV	2.0L L4 F/I - Turbo	33-2237	
Espace IV	2.0L L4 F/I - Turbo	33-2237		Espace IV	2.2L L4 DSL	33-2237	
Espace IV	3.0L V6 DSL	33-2237		Espace IV	3.0L V6 DSL	33-2237	
Espace IV	3.5L V6 F/I	33-2237		Espace IV	3.5L V6 F/I	33-2237	
Grand Scenic	1.5L L4 DSL	33-2849		Kangoo	1.2L L4 F/I - 16v	33-2860	
Grand Scenic	1.6L L4 F/I	33-2849		Kangoo	1.2L L4 F/I - 8v	E-9238	
Grand Scenic	1.9L L4 DSL	33-2849		Kangoo	1.4L L4 F/I	33-2673	
Grand Scenic	2.0L L4 F/I	33-2849		Kangoo	1.5L L4 DSL	33-2864	
Kangoo	1.2L L4 F/I - 16v	33-2860		Kangoo	1.6L L4 F/I	33-2194	
Kangoo	1.2L L4 F/I - 8v	E-9238		Kangoo	1.6L L4 F/I	33-2194	
Kangoo	1.4L L4 F/I	33-2673		Kangoo	1.9L L4 DSL	33-2215	
Kangoo	1.5L L4 DSL	33-2864		Laguna II	1.6L L4 F/I	33-2194	
Kangoo	1.6L L4 F/I	33-2194		Laguna II	1.8L L4 F/I	33-2194	
Kangoo	1.9L L4 DSL	33-2215		Laguna II	1.9L L4 DSL	33-2237	
Laguna II	1.6L L4 F/I	33-2194		Laguna II	2.0L L4 F/I - 135BHP	33-2194	
Laguna II	1.8L L4 F/I	33-2194		Laguna II	2.0L L4 F/I - Exc., 135BHP	33-2237	
Laguna II	1.9L L4 DSL	33-2237		Laguna II	2.2L L4 DSL	33-2237	
Laguna II	2.0L L4 F/I - 135BHP	33-2194		Laguna II	3.0L V6 F/I	33-2237	
Laguna II	2.0L L4 F/I - Exc., 135BHP	33-2237		Master II	1.9L L4 DSL - 82BHP	33-2884	
Laguna II	2.2L L4 DSL	33-2237		Master II	2.2L L4 DSL	33-2884	
Laguna II	3.0L V6 F/I	33-2237		Master II	2.5L L4 DSL	33-2884	
Master III	1.9L L4 DSL	33-2884		Master III	1.9L L4 DSL	33-2884	
Master III	2.2L L4 DSL	33-2892		Master III	2.2L L4 DSL	33-2892	
Master III	2.5L L4 DSL	33-2892		Master III	2.5L L4 DSL	33-2892	
Master III	3.0L V6 DSL	33-2891		Master III	3.0L V6 DSL	33-2891	
Megane	2.0L L4 F/I	33-2849		Megane	2.0L L4 F/I	33-2849	
Megane II	1.4L L4 F/I	33-2194		Megane I	1.8L L4 F/I	33-2194	
Megane II	1.5L L4 DSL	33-2849		Megane II	1.4L L4 F/I	33-2194	
Megane II	1.6L L4 F/I	33-2849 ♦		Megane II	1.5L L4 DSL	33-2849	
Megane II	1.9L L4 DSL	33-2849		Megane II	1.6L L4 F/I	33-2849 ♦	
Megane II	2.0L L4 F/I	33-2849 ♦		Megane II	1.9L L4 DSL	33-2849	
Modus	1.2L L4 F/I	33-2925		Megane II	2.0L L4 F/I	33-2849 ♦	
Modus	1.4L L4 F/I	33-2864		Scenic I	1.4L L4 F/I	33-2194	
Modus	1.5L L4 DSL	33-2927		Scenic I	1.6L L4 F/I	33-2194	
Modus	1.6L L4 F/I	33-2927		Scenic I	1.8L L4 F/I	33-2194	
Scenic II	1.4L L4 F/I	33-2194		Scenic I	1.9L L4 DSL	33-2215	
Scenic II	1.5L L4 DSL	33-2849		Scenic I	2.0L L4 F/I	33-2194	
Scenic II	1.6L L4 F/I	33-2849		Scenic II	1.4L L4 F/I	33-2194	
Scenic II	1.9L L4 DSL	33-2849		Scenic II	1.5L L4 DSL	33-2849	
Scenic II	2.0L L4 F/I	33-2849		Scenic II	1.6L L4 F/I	33-2849	
Trafic II	1.9L L4 DSL	33-2215		Scenic II	1.9L L4 DSL	33-2849	
Trafic II	2.0L L4 F/I	33-2194		Scenic II	2.0L L4 F/I	33-2849	
Twingo	1.2L L4 F/I - 54/58BHP	E-9238 ♦		Trafic II	1.9L L4 DSL	33-2215	
				Trafic II	2.0L L4 F/I	33-2194	

\*Indicates 2 filters required

♦ - Intake kit available

Applications updated daily at [knfilters.com](http://knfilters.com) ®

# AIR & OIL FILTERS

# RENAULT

Vehicle	Engine Type	Air Filter	Oil Filter
<b>2003 RENAULT</b>			
Twingo	1.2L L4 F/I - 54/58BHP	E-9238 ♦	
Twingo	1.2L L4 F/I - 75BHP	33-2860 ♦	
Vel Satis	2.0L L4 F/I	33-2237	
Vel Satis	2.2L L4 DSL	33-2237	
Vel Satis	3.0L V6 DSL	33-2237	
Vel Satis	3.5L V6 F/I	33-2237	

Vehicle	Engine Type	Air Filter	Oil Filter
<b>2002 RENAULT</b>			
Clio	1.6L L4 F/I - 16v	33-2194	
Clio	2.0L L4 F/I	33-2863	
Clio II	1.2L L4 F/I - 16v	33-2860 ♦	
Clio II	1.2L L4 F/I - 8v	E-9238 ♦	
Clio II	1.4L L4 F/I - 16v	33-2194 ♦	
Clio II	1.4L L4 F/I - 8v	33-2673 ♦	
Clio II	1.5L L4 DSL	33-2864 ♦	
Clio II	1.6L L4 F/I - 16v	33-2194 ♦	
Clio II	1.6L L4 F/I - 8v	33-2673 ♦	
Clio II	1.9L L4 DSL	33-2215	
Clio II	2.0L L4 F/I	33-2863 ♦	
Espace III	1.9L L4 DSL	33-2215	
Espace III	2.0L L4 F/I - 16v	33-2194	
Espace III	2.2L L4 DSL	33-2663	
Espace IV	1.9L L4 DSL	33-2237	
Espace IV	2.0L L4 F/I - exc. Turbo	33-2194	
Espace IV	2.0L L4 F/I - Turbo	33-2237	
Espace IV	2.2L L4 DSL	33-2237	
Espace IV	3.0L V6 DSL	33-2237	
Espace IV	3.5L V6 F/I	33-2237	
Kangoo	1.2L L4 F/I - 16v	33-2860	
Kangoo	1.2L L4 F/I - 8v	E-9238	
Kangoo	1.4L L4 F/I	33-2673	
Kangoo	1.5L L4 DSL	33-2864	
Kangoo	1.6L L4 F/I	33-2194	
Kangoo	1.9L L4 DSL	33-2215	
Laguna II	1.6L L4 F/I	33-2194	
Laguna II	1.8L L4 F/I	33-2194	
Laguna II	1.9L L4 DSL	33-2237	
Laguna II	2.0L L4 F/I - 135BHP	33-2194	
Laguna II	2.0L L4 F/I - Exc., 135BHP	33-2237	
Laguna II	2.2L L4 DSL	33-2237	
Laguna II	3.0L V6 F/I	33-2237	
Master II	1.9L L4 DSL - 82BHP	33-2884	
Master II	2.2L L4 DSL	33-2884	
Master II	2.5L L4 DSL	33-2884	
Megane	2.0L L4 F/I	33-2849	
Megane I	1.4L L4 F/I - 95BHP	33-2194	
Megane I	1.4L L4 F/I - Exc., 95BHP	E-9236	
Megane I	1.6L L4 F/I - 107BHP	33-2194	
Megane I	1.6L L4 F/I - 75/90BHP	E-2244	
Megane I	1.8L L4 F/I	33-2194	
Megane I	1.9L L4 DSL - 64BHP	E-9130	
Megane I	1.9L L4 DSL - 80/102BHP	33-2215	
Megane I	1.9L L4 DSL - 90BHP	E-9235	
Megane I	2.0L L4 F/I - 147BHP	E-9138	
Megane I	2.0L L4 F/I - Exc., 147BHP	E-9130	
Megane II	1.4L L4 F/I	33-2194	
Megane II	1.5L L4 DSL	33-2849	
Megane II	1.6L L4 F/I	33-2849 ♦	
Megane II	1.9L L4 DSL	33-2849	
Megane II	2.0L L4 F/I	33-2849 ♦	
Scenic I	1.4L L4 F/I	33-2194	
Scenic I	1.6L L4 F/I	33-2194	

Vehicle	Engine Type	Air Filter	Oil Filter
<b>2002 RENAULT</b>			
Scenic I	1.8L L4 F/I	33-2194	
Scenic I	1.9L L4 DSL	33-2215	
Scenic I	2.0L L4 F/I	33-2194	
Trafic II	1.9L L4 DSL	33-2215	
Trafic II	2.0L L4 F/I	33-2194	
Twingo	1.2L L4 F/I - 54/58BHP	E-9238 ♦	
Twingo	1.2L L4 F/I - 75BHP	33-2860 ♦	
Vel Satis	2.0L L4 F/I	33-2237	
Vel Satis	2.2L L4 DSL	33-2237	
Vel Satis	3.0L V6 DSL	33-2237	
Vel Satis	3.5L V6 F/I	33-2237	

Vehicle	Engine Type	Air Filter	Oil Filter
<b>2001 RENAULT</b>			
Clio II	1.2L L4 F/I - 16v	33-2860 ♦	
Clio II	1.2L L4 F/I - 8v	E-9238 ♦	
Clio II	1.4L L4 F/I - 16v	33-2194 ♦	
Clio II	1.4L L4 F/I - 8v	33-2673 ♦	
Clio II	1.5L L4 DSL	33-2864 ♦	
Clio II	1.6L L4 F/I - 16v	33-2194 ♦	
Clio II	1.6L L4 F/I - 8v	33-2673 ♦	
Clio II	1.9L L4 DSL	33-2215	
Clio II	2.0L L4 F/I - w/Panel Filter	33-2863 ♦	
Clio II	2.0L L4 F/I - w/Round Filter, to 4/01	E-9131 ♦	
Espace III	1.9L L4 DSL	33-2215	
Espace III	2.0L L4 F/I - 16v	33-2194	
Espace III	2.2L L4 DSL	33-2663	
Kangoo	1.2L L4 F/I - 16v	33-2860	
Kangoo	1.2L L4 F/I - 8v	E-9238	
Kangoo	1.4L L4 F/I	33-2673	
Kangoo	1.5L L4 DSL	33-2864	
Kangoo	1.6L L4 F/I	33-2194	
Kangoo	1.9L L4 DSL	33-2215	
Laguna I	1.6L L4 F/I	33-2194 ♦	
Laguna I	1.8L L4 F/I - 120BHP	33-2194	
Laguna I	1.8L L4 F/I - exc. 120BHP	33-2743	
Laguna I	1.9L L4 DSL	33-2215	
Laguna I	2.0L L4 F/I - 16v	33-2194	
Laguna I	2.2L L4 DSL	33-2010	
Laguna I	3.0L V6 F/I - 167BHP	33-2821	
Laguna I	3.0L V6 F/I - 190BHP	33-2237	
Laguna II	1.6L L4 F/I	33-2194	
Laguna II	1.8L L4 F/I	33-2194	
Laguna II	1.9L L4 DSL	33-2237	
Laguna II	2.0L L4 F/I	33-2237	
Laguna II	2.2L L4 DSL	33-2237	
Laguna II	3.0L V6 F/I	33-2237	
Master II	1.9L L4 DSL - 82BHP	33-2884	
Master II	2.2L L4 DSL	33-2884	
Master II	2.5L L4 DSL	33-2884	
Master II	2.8L L4 DSL	33-2884	
Megane I	1.4L L4 F/I - 95BHP	33-2194	
Megane I	1.4L L4 F/I - Exc., 95BHP	E-9236	
Megane I	1.6L L4 F/I - 107BHP	33-2194	
Megane I	1.6L L4 F/I - 75/90BHP	E-2244	
Megane I	1.8L L4 F/I	33-2194	
Megane I	1.9L L4 DSL - 64BHP	E-9130	
Megane I	1.9L L4 DSL - 80/102BHP	33-2215	
Megane I	1.9L L4 DSL - 90BHP	E-9235	
Megane I	2.0L L4 F/I - 147BHP	E-9138	
Megane I	2.0L L4 F/I - Exc., 147BHP	E-9130	
Megane II	1.4L L4 F/I	33-2194	
Megane II	1.5L L4 DSL	33-2849	
Megane II	1.6L L4 F/I	33-2849 ♦	
Megane II	1.9L L4 DSL	33-2849	
Megane II	2.0L L4 F/I	33-2849 ♦	
Megane I	1.4L L4 F/I	33-2194	
Megane I	1.6L L4 F/I	33-2194	

\*Indicates 2 filters required      ♦ - Intake kit available      Applications updated daily at [knfilters.com](http://knfilters.com) ®

**Partial Listing - Complete List of Vehicles and Applications at [knfilters.com](http://knfilters.com)**

# RENAULT

# AIR & OIL FILTERS

Vehicle	Engine Type	Air Filter	Oil Filter
<b>2001 RENAULT</b>			
Scenic I	1.4L L4 F/I	33-2194	
Scenic I	1.6L L4 F/I	33-2194	
Scenic I	1.8L L4 F/I	33-2194	
Scenic I	1.9L L4 DSL	33-2215	
Scenic I	2.0L L4 F/I	33-2194	
Trafic	1.9L L4 DSL	E-9099	
Trafic	2.5L L4 DSL	E-9099	
Trafic II	1.9L L4 DSL	33-2215	
Trafic II	2.0L L4 F/I	33-2194	
Twingo	1.2L L4 F/I - 54/58BHP	E-9238 ♦	
Twingo	1.2L L4 F/I - 75BHP	33-2860 ♦	

Vehicle	Engine Type	Air Filter	Oil Filter
<b>2000 RENAULT</b>			
Clio II	1.2L L4 F/I	E-9238 ♦	
Clio II	1.4L L4 F/I - 16v	33-2194 ♦	
Clio II	1.4L L4 F/I - 8v	33-2673 ♦	
Clio II	1.6L L4 F/I - 16v	33-2194 ♦	
Clio II	1.6L L4 F/I - 8v	33-2673 ♦	
Clio II	1.9L L4 DSL	33-2215	
Clio II	2.0L L4 F/I	E-9131 ♦	
Espace III	1.9L L4 DSL	33-2215	
Espace III	2.0L L4 F/I - 16v	33-2194	
Espace III	2.0L L4 F/I - 8v	33-2743	
Espace III	2.2L L4 DSL	33-2663	
Espace III	3.0L V6 F/I - to 10/00	33-2821	
Kangoo	1.2L L4 F/I	E-9238	
Kangoo	1.4L L4 F/I	33-2673	
Kangoo	1.6L L4 F/I	33-2194	
Kangoo	1.9L L4 DSL	33-2215	
Laguna I	1.6L L4 F/I	33-2194 ♦	
Laguna I	1.8L L4 F/I - 120BHP	33-2194	
Laguna I	1.8L L4 F/I - exc. 120BHP	33-2743	
Laguna I	1.9L L4 DSL	33-2215	
Laguna I	2.0L L4 F/I - 16v	33-2194	
Laguna I	2.2L L4 DSL	33-2010	
Laguna I	3.0L V6 F/I - 167BHP	33-2821	
Laguna I	3.0L V6 F/I - 190BHP	33-2237	
Master II	2.2L L4 DSL	33-2884	
Master II	2.5L L4 DSL	33-2884	
Master II	2.8L L4 DSL	33-2884	
Megane I	1.4L L4 F/I - 95BHP	33-2194	
Megane I	1.4L L4 F/I - Exc., 95BHP	E-9236	
Megane I	1.6L L4 F/I - 107BHP	33-2194	
Megane I	1.6L L4 F/I - 75/90BHP	E-2244	
Megane I	1.9L L4 DSL - 64BHP	E-9130	
Megane I	1.9L L4 DSL - 90/98BHP	E-9235	
Megane I	2.0L L4 F/I - 147BHP	E-9138	
Megane I	2.0L L4 F/I - Exc., 147BHP	E-9130	
Safrane II	2.0L L4 F/I	33-2758	
Safrane II	2.9L V6 F/I	33-2618	
Safrane II	3.0L V6 F/I	33-2710	
Scenic I	1.4L L4 F/I	33-2194	
Scenic I	1.6L L4 F/I	33-2194	
Scenic I	1.8L L4 F/I	33-2194	
Scenic I	1.9L L4 DSL	33-2215	
Trafic	1.9L L4 DSL	E-9099	
Trafic	2.5L L4 DSL	E-9099	
Twingo	1.2L L4 F/I	E-9238 ♦	

Vehicle	Engine Type	Air Filter	Oil Filter
<b>1999 RENAULT</b>			
Clio II	1.2L L4 F/I	E-9238 ♦	
Clio II	1.4L L4 F/I - 16v	33-2194 ♦	

Vehicle	Engine Type	Air Filter	Oil Filter
<b>1999 RENAULT</b>			
Clio II	1.4L L4 F/I - 8v	33-2673 ♦	
Clio II	1.6L L4 F/I - 16v	33-2194 ♦	
Clio II	1.6L L4 F/I - 8v	33-2673 ♦	
Espace III	1.9L L4 DSL	33-2215	
Espace III	2.0L L4 F/I - 16v	33-2194	
Espace III	2.0L L4 F/I - 8v	33-2743	
Espace III	2.2L L4 DSL	33-2663	
Espace III	3.0L V6 F/I	33-2821	
Kangoo	1.2L L4 F/I	E-9238	
Kangoo	1.4L L4 F/I	33-2673	
Kangoo	1.6L L4 F/I	33-2194	
Kangoo	1.9L L4 DSL	33-2215	
Laguna I	1.6L L4 F/I	33-2194 ♦	
Laguna I	1.8L L4 F/I - 120BHP	33-2194	
Laguna I	1.8L L4 F/I - exc. 120BHP	33-2743	
Laguna I	1.9L L4 DSL	33-2215	
Laguna I	2.0L L4 F/I - 16v	33-2194	
Laguna I	2.2L L4 DSL	33-2010	
Laguna I	3.0L V6 F/I - 167BHP	33-2821	
Laguna I	3.0L V6 F/I - 190BHP	33-2237	
Master II	2.5L L4 DSL	33-2884	
Master II	2.8L L4 DSL	33-2884	
Megane I	1.4L L4 F/I - 95BHP	33-2194	
Megane I	1.4L L4 F/I - Exc., 95BHP	E-9236	
Megane I	1.6L L4 F/I - 107BHP	33-2194 ♦	
Megane I	1.6L L4 F/I - 75/90BHP	E-2244 ♦	
Megane I	1.9L L4 DSL - 64BHP	E-9130	
Megane I	1.9L L4 DSL - 90/98BHP	E-9235	
Megane I	2.0L L4 F/I - 147BHP	E-9138 ♦	
Megane I	2.0L L4 F/I - Exc., 147BHP	E-9130 ♦	
Safrane II	2.0L L4 F/I	33-2758	
Safrane II	2.9L V6 F/I	33-2618	
Safrane II	3.0L V6 F/I	33-2710	
Scenic I	1.4L L4 F/I	33-2194	
Scenic I	1.6L L4 F/I	33-2194	
Scenic I	1.9L L4 DSL	33-2215	
Scenic I	2.0L L4 F/I	33-2194	
Trafic	1.9L L4 DSL	E-9099	
Trafic	2.5L L4 DSL	E-9099	
Twingo	1.2L L4 F/I	E-9238 ♦	

Vehicle	Engine Type	Air Filter	Oil Filter
<b>1998 RENAULT</b>			
Clio I	1.2L L4 F/I - w/Round Filter	E-9238 ♦	
Clio I	1.4L L4 F/I	E-9136 ♦	
Clio I	1.8L L4 F/I - 107BHP	E-9139 ♦	
Clio I	1.9L L4 DSL	E-9139	
Clio I	2.0L L4 F/I	E-9138	
Clio II	1.2L L4 F/I	E-9238 ♦	
Clio II	1.4L L4 F/I	33-2673 ♦	
Clio II	1.6L L4 F/I - 16v	33-2194 ♦	
Clio II	1.6L L4 F/I - 8v	33-2673 ♦	
Espace III	2.0L L4 F/I - 16v	33-2194	
Espace III	2.0L L4 F/I - 8v	33-2743	
Espace III	2.2L L4 DSL	33-2663	
Espace III	3.0L V6 F/I	33-2821	
Kangoo	1.2L L4 F/I	E-9238	
Kangoo	1.4L L4 F/I	33-2673	
Kangoo	1.9L L4 DSL	33-2215	
Laguna I	1.6L L4 F/I	33-2194 ♦	
Laguna I	1.8L L4 F/I - 120BHP	33-2194 ♦	
Laguna I	1.8L L4 F/I - exc. 120BHP	33-2743 ♦	

\*Indicates 2 filters required

♦ - Intake kit available

Applications updated daily at [knfilters.com](http://knfilters.com) ®

# AIR & OIL FILTERS

# RENAULT

Vehicle	Engine Type	Air Filter	Oil Filter
<b>1998 RENAULT</b>			
Laguna I	2.0L L4 F/I - 16v, from 9/98	33-2194	
Laguna I	2.0L L4 F/I - 16v, to 8/98	33-2758	
Laguna I	2.0L L4 F/I - Exc., 109BHP	33-2743	
Laguna I	2.2L L4 DSL	33-2010	
Laguna I	3.0L V6 F/I - 167BHP	33-2821	
Laguna I	3.0L V6 F/I - 190BHP	33-2237	
Master I	2.0L L4 CARB	E-9099	
Master I	2.1L L4 DSL	E-9099	
Master I	2.5L L4 DSL	E-9099	
Master II	2.5L L4 DSL	33-2884	
Master II	2.8L L4 DSL	33-2884	
Megane I	1.4L L4 F/I	E-9236	
Megane I	1.6L L4 F/I	E-2244 ♦	
Megane I	1.9L L4 DSL - 64BHP	E-9130	
Megane I	1.9L L4 DSL - 90/98BHP	E-9235	
Megane I	2.0L L4 F/I - 147BHP	E-9138 ♦	
Megane I	2.0L L4 F/I - Exc., 147BHP	E-9130 ♦	
Rapid	1.2L L4 F/I	E-9238	
Rapid	1.4L L4 CARB	E-1112	
Rapid	1.4L L4 F/I	E-9136	
Rapid	1.6L L4 DSL	33-2504	
Rapid	1.9L L4 DSL	E-9139	
Safrane II	2.0L L4 F/I	33-2758	
Safrane II	3.0L V6 F/I	33-2710	
Trafic	1.9L L4 DSL	E-9099	
Trafic	2.2L L4 F/I	E-2244	
Trafic	2.5L L4 DSL	E-9099	
Twingo	1.2L L4 F/I	E-9238 ♦	

Vehicle	Engine Type	Air Filter	Oil Filter
<b>1997 RENAULT</b>			
Clio I	1.2L L4 F/I	E-9238 ♦	
Clio I	1.4L L4 F/I	E-9136 ♦	
Clio I	1.8L L4 F/I - 107BHP	E-9139 ♦	
Clio I	1.9L L4 DSL	E-9139	
Clio I	2.0L L4 F/I	E-9138	
Espace III	2.0L L4 F/I	33-2743	
Espace III	2.2L L4 DSL	33-2663	
Espace III	3.0L V6 F/I	33-2821	
Kangoo	1.4L L4 F/I	33-2673	
Laguna I	1.6L L4 F/I	33-2194 ♦	
Laguna I	1.8L L4 F/I	33-2743 ♦	
Laguna I	2.0L L4 F/I - 16v	33-2758	
Laguna I	2.0L L4 F/I - Exc., 109BHP	33-2743	
Laguna I	2.2L L4 DSL	33-2010	
Laguna I	3.0L V6 F/I - 167BHP	33-2821 ♦	
Laguna I	3.0L V6 F/I - 190BHP	33-2237 ♦	
Master I	2.0L L4 CARB	E-9099	
Master I	2.1L L4 DSL	E-9099	
Master I	2.5L L4 DSL	E-9099	
Megane I	1.4L L4 F/I	E-9236	
Megane I	1.6L L4 F/I	E-2244 ♦	
Megane I	1.9L L4 DSL - 64BHP	E-9130	
Megane I	1.9L L4 DSL - 90/98BHP	E-9235	
Megane I	2.0L L4 F/I - 147BHP	E-9183 ♦	
Megane I	2.0L L4 F/I - Exc., 147BHP	E-9130 ♦	
Rapid	1.4L L4 CARB	E-1112	
Rapid	1.4L L4 F/I	E-9136	
Rapid	1.9L L4 DSL	E-9139	
Safrane II	2.0L L4 F/I	33-2758	
Safrane II	3.0L V6 F/I	33-2710	

Vehicle	Engine Type	Air Filter	Oil Filter
<b>1997 RENAULT</b>			
Trafic	1.9L L4 DSL	E-9099	
Trafic	2.5L L4 DSL	E-9099	
Twingo	1.2L L4 F/I	E-9238 ♦	
<b>1996 RENAULT</b>			
Clio I	1.2L L4 F/I - 62mm high, w/Oval Filter	E-9136 ♦	
Clio I	1.2L L4 F/I - w/Round Filter	E-9238 ♦	
Clio I	1.4L L4 CARB	E-9136	
Clio I	1.4L L4 F/I	E-9136 ♦	
Clio I	1.8L L4 F/I - 107/109BHP	E-9139 ♦	
Clio I	1.8L L4 F/I - 135BHP	E-9138 ♦	
Clio I	1.8L L4 F/I - 62mm high	E-9136 ♦	
Clio I	1.9L L4 DSL	E-9139	
Clio I	2.0L L4 F/I	E-9138 ♦	
Espace II	2.0L L4 F/I	E-2244	
Espace II	2.1L L4 DSL	E-9099	
Espace II	2.2L V6 F/I	E-2244	
Espace II	2.9L V6 F/I	E-9131	
Espace III	2.0L L4 F/I	33-2743	
Espace III	2.2L L4 DSL	33-2663	
Espace III	3.0L V6 F/I	33-2821	
Laguna I	1.8L L4 F/I	33-2743 ♦	
Laguna I	2.0L L4 F/I - 16v	33-2758	
Laguna I	2.0L L4 F/I - Exc., 109BHP	33-2743	
Laguna I	2.2L L4 DSL	33-2010	
Laguna I	3.0L V6 F/I	33-2821 ♦	
Master I	2.5L L4 DSL	E-9099	
Megane I	1.4L L4 F/I	E-9236	
Megane I	1.6L L4 F/I	E-2244 ♦	
Megane I	1.9L L4 DSL - 64BHP	E-9130	
Megane I	1.9L L4 DSL - 90BHP	E-9235	
Megane I	2.0L L4 F/I - 147BHP	E-9138 ♦	
Megane I	2.0L L4 F/I - Exc., 147BHP	E-9130 ♦	
R5	1.4L L4 F/I - 229mm high	E-2231	
R5	1.4L L4 F/I - 60mm high	E-1112	
R5	1.6L L4 DSL	33-2504	
R19 II	1.8L L4 F/I - 60mm high	E-9136	
Safrane I	2.0L L4 F/I	33-2504	
Safrane I	3.0L V6 F/I	33-2710	
Safrane II	2.0L L4 F/I	33-2758	
Safrane II	3.0L V6 F/I	33-2710	
Trafic	2.5L L4 DSL	E-9099	
Twingo	1.2L L4 F/I - 54/58BHP	E-9238 ♦	
Twingo	1.2L L4 F/I - 55BHP	33-2699 ♦	

Vehicle	Engine Type	Air Filter	Oil Filter
<b>1995 RENAULT</b>			
Clio I	1.2L L4 F/I - 62mm high	E-9136 ♦	
Clio I	1.4L L4 CARB	E-9136	
Clio I	1.4L L4 F/I	E-9136 ♦	
Clio I	1.8L L4 F/I - 107/109BHP	E-9139 ♦	
Clio I	1.8L L4 F/I - 135BHP	E-9138 ♦	
Clio I	1.8L L4 F/I - 62mm high	E-9136 ♦	
Clio I	1.9L L4 DSL	E-9139	
Clio I	2.0L L4 F/I	E-9138 ♦	
Espace II	2.0L L4 F/I	E-2244	
Espace II	2.1L L4 DSL	E-9099	
Espace II	2.2L V6 F/I	E-2244	
Espace II	2.9L V6 F/I	E-9131	

\*Indicates 2 filters required      ♦ - Intake kit available      Applications updated daily at [knfilters.com](http://knfilters.com) ®

**Partial Listing - Complete List of Vehicles and Applications at [knfilters.com](http://knfilters.com)**

# RENAULT

# AIR & OIL FILTERS

Vehicle	Engine Type	Air Filter	Oil Filter
<b>1995 RENAULT</b>			
Laguna I	1.8L L4 F/I	33-2743 ♦	
Laguna I	2.0L L4 F/I - 16v	33-2758	
Laguna I	2.0L L4 F/I - Exc., 109BHP	33-2743	
Laguna I	2.2L L4 DSL	33-2010	
Laguna I	3.0L V6 F/I	33-2821 ♦	
Master I	2.0L L4 CARB	E-9099	
Master I	2.1L L4 DSL	E-9099	
Master I	2.5L L4 DSL	E-9099	
R5	1.4L L4 F/I - 229mm high	E-2231	
R5	1.4L L4 F/I - 60mm high	E-1112	
R5	1.6L L4 DSL	33-2504	
R19 II	1.2L L4 F/I	E-9136	
R19 II	1.4L L4 F/I - 58BHP	E-1112	
R19 II	1.4L L4 F/I - 75/78BHP	E-9131	
R19 II	1.4L L4 F/I - 80BHP	E-2244	
R19 II	1.7L L4 F/I - 219mm high	E-2244	
R19 II	1.7L L4 F/I - 252mm high	E-9131	
R19 II	1.7L L4 F/I - 90BHP	E-9136	
R19 II	1.8L L4 F/I - 125mm high	E-9130 ♦	
R19 II	1.8L L4 F/I - 60mm high	E-9136 ♦	
R19 II	1.9L L4 DSL	E-9130	
R21	2.1L L4 DSL	33-2504	
Safrane I	2.0L L4 F/I	33-2504	
Safrane I	2.1L L4 DSL	33-2504	
Safrane I	2.2L L4 F/I	33-2504	
Safrane I	3.0L V6 F/I	33-2710	
Twingo	1.2L L4 F/I	33-2699 ♦	

Vehicle	Engine Type	Air Filter	Oil Filter
<b>1994 RENAULT</b>			
Clio I	1.2L L4 F/I - 62mm high	E-9136 ♦	
Clio I	1.4L L4 CARB	E-9136	
Clio I	1.4L L4 F/I	E-9136 ♦	
Clio I	1.8L L4 F/I - 107/109BHP	E-9139 ♦	
Clio I	1.8L L4 F/I - 135BHP	E-9138 ♦	
Clio I	1.8L L4 F/I - 62mm high	E-9136 ♦	
Clio I	1.9L L4 DSL	E-9139	
Clio I	2.0L L4 F/I	E-9138 ♦	
Espace II	2.0L L4 F/I	E-2244	
Espace II	2.1L L4 DSL	E-9099	
Espace II	2.2L V6 F/I	E-2244	
Espace II	2.9L V6 F/I	E-9131	
Laguna I	1.8L L4 F/I	33-2743 ♦	
Laguna I	2.0L L4 F/I - 16v	33-2758	
Laguna I	2.0L L4 F/I - Exc., 109BHP	33-2743	
Laguna I	3.0L V6 F/I	33-2821 ♦	
R5	1.4L L4 F/I - 229mm high	E-2231	
R5	1.4L L4 F/I - 60mm high	E-1112	
R5	1.6L L4 DSL	33-2504	
R19 II	1.4L L4 F/I - 58/60BHP	E-1112	
R19 II	1.4L L4 F/I - 75/78BHP	E-9131	
R19 II	1.4L L4 F/I - 80BHP	E-2244	
R19 II	1.7L L4 F/I - 219mm high	E-2244	
R19 II	1.7L L4 F/I - 252mm high	E-9131	
R19 II	1.7L L4 F/I - 90BHP	E-9136	
R19 II	1.8L L4 F/I - 125mm high	E-9130 ♦	

Vehicle	Engine Type	Air Filter	Oil Filter
<b>1994 RENAULT</b>			
R19 II	1.8L L4 F/I - 60mm high	E-9136 ♦	
R19 II	1.9L L4 DSL	E-9130	
Safrane I	3.0L V6 F/I	33-2710	
Twingo	1.2L L4 F/I	33-2699 ♦	

Vehicle	Engine Type	Air Filter	Oil Filter
<b>1993 RENAULT</b>			
Clio I	1.2L L4 F/I - 62mm high	E-9136 ♦	
Clio I	1.4L L4 CARB	E-9136	
Clio I	1.4L L4 F/I	E-9136 ♦	
Clio I	1.7L L4 F/I	E-9139	
Clio I	1.8L L4 F/I - 107/109BHP	E-9139 ♦	
Clio I	1.8L L4 F/I - 135BHP	E-9138 ♦	
Clio I	1.8L L4 F/I - 62mm high	E-9136 ♦	
Clio I	1.9L L4 DSL	E-9139	
Espace II	2.0L L4 F/I	E-2244	
Espace II	2.1L L4 DSL	E-9099	
Espace II	2.2L V6 F/I	E-2244	
Espace II	2.9L V6 F/I	E-9131	
Laguna I	1.8L L4 F/I	33-2743	
R5	1.4L L4 F/I - 229mm high	E-2231	
R5	1.4L L4 F/I - 60mm high	E-1112	
R19 II	1.4L L4 F/I - 58/60BHP	E-1112	
R19 II	1.4L L4 F/I - 75BHP	E-9131	
R19 II	1.4L L4 F/I - 80BHP	E-2244	
R19 II	1.7L L4 F/I - 219mm high	E-2244	
R19 II	1.7L L4 F/I - 252mm high	E-9131	
R19 II	1.7L L4 F/I - 90BHP	E-9136	
R19 II	1.8L L4 F/I - 125mm high	E-9130 ♦	
R19 II	1.8L L4 F/I - 60mm high	E-9136 ♦	
R19 II	1.9L L4 DSL	E-9130	
R21	1.7L L4 F/I - 73/90BHP	E-9130	
R21	1.7L L4 F/I - 75/88BHP	E-9136	
R21	1.7L L4 F/I - 94BHP	E-9131	
R21	2.0L L4 F/I - exc. Turbo	E-2244	
R21	2.0L L4 F/I - Turbo	E-9131	
R21	2.1L L4 DSL - Turbo	E-9099	
Safrane I	2.1L L4 DSL	33-2504	
Safrane I	2.2L L4 F/I	33-2504	
Safrane I	3.0L V6 F/I	33-2710	
Twingo	1.2L L4 F/I	33-2699 ♦	

Vehicle	Engine Type	Air Filter	Oil Filter
<b>1992 RENAULT</b>			
Clio I	1.2L L4 F/I - 62mm high	E-9136 ♦	
Clio I	1.4L L4 CARB	E-9136	
Clio I	1.4L L4 F/I	E-9136 ♦	
Clio I	1.7L L4 F/I	E-9139	
Clio I	1.8L L4 F/I - 107/109BHP	E-9139 ♦	
Clio I	1.8L L4 F/I - 135BHP	E-9138 ♦	
Clio I	1.8L L4 F/I - 62mm high	E-9136 ♦	
Clio I	1.9L L4 DSL	E-9139	
Espace II	2.0L L4 F/I	E-2244	
Espace II	2.1L L4 DSL	E-9099	
Espace II	2.2L V6 F/I	E-2244	
Espace II	2.9L V6 F/I	E-9131	
R5	1.4L L4 F/I - 229mm high	E-2231	
R5	1.4L L4 F/I - 60mm high	E-1112	

\*Indicates 2 filters required

♦ - Intake kit available

Applications updated daily at [knfilters.com](http://knfilters.com) ®

# AIR & OIL FILTERS

# RENAULT

Vehicle	Engine Type	Air Filter	Oil Filter	Vehicle	Engine Type	Air Filter	Oil Filter
<b>1992 RENAULT</b>				<b>1990 RENAULT</b>			
R19 I	1.4L L4 F/I - 58BHP	E-1112		R5	1.7L L4 CARB - 73/87BHP	E-9131	
R19 I	1.4L L4 F/I - 80BHP	E-2244		R5	1.7L L4 F/I - 94BHP	E-9136	
R19 I	1.7L L4 F/I - 219mm high	E-2244		R19 I	1.4L L4 F/I - 58BHP	E-1112	
R19 I	1.7L L4 F/I - 252mm high	E-9131		R19 I	1.4L L4 F/I - 80BHP	E-2244	
R19 I	1.7L L4 F/I - 90/95BHP	E-9136		R19 I	1.7L L4 F/I - 219mm high	E-2244	
R19 I	1.8L L4 F/I - 125mm high	E-9130 ♦		R19 I	1.7L L4 F/I - 252mm high	E-9131	
R19 I	1.9L L4 DSL	E-9130		R19 I	1.7L L4 F/I - 90BHP	E-9136	
R19 II	1.2L L4 F/I	E-9136		R19 I	1.8L L4 F/I - 125mm high	E-9130 ♦	
R19 II	1.4L L4 F/I - 58/60BHP	E-1112		R19 I	1.9L L4 DSL	E-9130	
R19 II	1.4L L4 F/I - 75BHP	E-9131		R21	2.0L L4 F/I - exc. Turbo	E-2244 ♦	
R19 II	1.4L L4 F/I - 80BHP	E-2244		R21	2.0L L4 F/I - Turbo	E-9131 ♦	
R19 II	1.7L L4 F/I - 219mm high	E-2244		R21	2.1L L4 DSL - exc. Turbo	33-2504	
R19 II	1.7L L4 F/I - 252mm high	E-9131		R21	2.1L L4 DSL - Turbo	E-9099	
R19 II	1.7L L4 F/I - 90BHP	E-9136		<b>1989 RENAULT</b>			
R19 II	1.8L L4 F/I - 125mm high	E-9130 ♦		Alpine	2.5L V6 F/I	E-9131	
R19 II	1.8L L4 F/I - 60mm high	E-9136 ♦		R5	1.4L L4 CARB - 229mm high	E-2231 ♦	
R19 II	1.9L L4 DSL	E-9130		R5	1.4L L4 CARB - 60mm high	E-1112 ♦	
R21	2.0L L4 F/I - exc. Turbo	E-2244		R5	1.7L L4 CARB - 73/87BHP	E-9131	
R21	2.0L L4 F/I - Turbo	E-9131		R5	1.7L L4 F/I - 94BHP	E-9136	
R21	2.1L L4 DSL - exc. Turbo	33-2504		R9	1.4L L4 F/I - Turbo	E-2310	
R21	2.1L L4 DSL - Turbo	E-9099		R19 I	1.4L L4 F/I - 58BHP	E-1112	
R25	2.8L V6 F/I	E-9131		R19 I	1.4L L4 F/I - 80BHP	E-2244	
Safrane I	2.2L L4 F/I	33-2504		R19 I	1.7L L4 F/I - 219mm high	E-2244	
Safrane I	3.0L V6 F/I	33-2710		R19 I	1.7L L4 F/I - 252mm high	E-9131	
<b>1991 RENAULT</b>				R19 I	1.7L L4 F/I - 90BHP	E-9136	
Clio I	1.2L L4 F/I - 62mm high	E-9136 ♦		R19 I	1.8L L4 F/I - 125mm high	E-9130 ♦	
Clio I	1.4L L4 CARB	E-9136		R21	1.7L L4 F/I - 73/90BHP	E-9130	
Clio I	1.4L L4 F/I	E-9136 ♦		R21	1.7L L4 F/I - 75/88BHP	E-9136	
Clio I	1.7L L4 F/I	E-9139		R21	1.7L L4 F/I - 94BHP	E-9131	
Clio I	1.8L L4 F/I - 107/109BHP	E-9139 ♦		R21	2.0L L4 F/I - exc. Turbo	E-2244 ♦	
Clio I	1.8L L4 F/I - 135BHP	E-9138 ♦		R21	2.0L L4 F/I - Turbo	E-9131 ♦	
Clio I	1.8L L4 F/I - 62mm high	E-9136 ♦		R25	2.7L V6 F/I	33-2726	
Clio I	1.9L L4 DSL	E-9139		<b>1988 RENAULT</b>			
R5	1.4L L4 F/I - 229mm high	E-2231 ♦		Alpine	2.5L V6 F/I	E-9131	
R5	1.4L L4 F/I - 60mm high	E-1112 ♦		R5	1.4L L4 CARB - 229mm high	E-2231 ♦	
R19 I	1.4L L4 F/I - 58BHP	E-1112		R5	1.4L L4 CARB - 60mm high	E-1112 ♦	
R19 I	1.4L L4 F/I - 80BHP	E-2244		R5	1.7L L4 CARB - 73/87BHP	E-9131	
R19 I	1.7L L4 F/I - 219mm high	E-2244		R5	1.7L L4 F/I - 94BHP	E-9136	
R19 I	1.7L L4 F/I - 252mm high	E-9131		R11	1.4L L4 F/I - exc. Turbo	E-1112	
R19 I	1.7L L4 F/I - 90/95BHP	E-9136		R11	1.4L L4 F/I - Turbo	E-2310	
R19 I	1.8L L4 F/I - 125mm high	E-9130 ♦		R21	2.0L L4 F/I - exc. Turbo	E-2244 ♦	
R19 I	1.9L L4 DSL	E-9130		R21	2.0L L4 F/I - Turbo	E-9131 ♦	
R21	1.7L L4 F/I - 73/90BHP	E-9130		<b>1987 RENAULT</b>			
R21	1.7L L4 F/I - 75/88BHP	E-9136		R5	1.4L L4 CARB - 229mm high	E-2231 ♦	
R21	1.7L L4 F/I - 94BHP	E-9131		R5	1.4L L4 CARB - 60mm high	E-1112 ♦	
R21	2.0L L4 F/I - exc. Turbo	E-2244		R9	1.2L L4 CARB	E-1112	
R21	2.0L L4 F/I - Turbo	E-9131		R9	1.4L L4 F/I - Turbo	E-2310	
<b>1990 RENAULT</b>				R11	1.4L L4 F/I - exc. Turbo	E-1112	
Alpine	2.5L V6 F/I	E-9131		R11	1.4L L4 F/I - Turbo	E-2310	
Clio I	1.2L L4 F/I - 62mm high	E-9136		R25	2.7L V6 F/I	33-2726	
R5	1.4L L4 F/I - 229mm high	E-2231 ♦		<b>1986 RENAULT</b>			
R5	1.4L L4 F/I - 60mm high	E-1112 ♦		R5	1.4L L4 CARB - 229mm high	E-2231	

\*Indicates 2 filters required

♦ - Intake kit available

Applications updated daily at [knfilters.com](http://knfilters.com) ®

Partial Listing - Complete List of Vehicles and Applications at [knfilters.com](http://knfilters.com)

# RENAULT

# AIR & OIL FILTERS

Vehicle	Engine Type	Air Filter	Oil Filter
<b>1986 RENAULT</b>			
R5	1.4L L4 CARB - 60mm high	E-1112	
R25	2.7L V6 F/I	33-2726	
<b>1985 RENAULT</b>			
R5	1.4L L4 CARB - 170mm high	E-2310	
R5	1.4L L4 CARB - 229mm high	E-2231	
R5	1.4L L4 CARB - 60mm high	E-1112	
R5	1.4L L4 F/I	E-2310	
R25	2.7L V6 F/I	33-2726	
<b>1984 RENAULT</b>			
R5	1.4L L4 CARB - 170mm high	E-2310	
R5	1.4L L4 CARB - 229mm high	E-2231	
R5	1.4L L4 CARB - 60mm high	E-1112	
R5	1.4L L4 F/I	E-2310	
R25	2.7L V6 F/I	33-2726	
R30	2.7L V6 F/I	33-2726	
<b>1983 RENAULT</b>			
R5	1.4L L4 CARB	E-2310	
R5	1.4L L4 F/I	E-2310	
R30	2.7L V6 F/I	33-2726	
<b>1982 RENAULT</b>			
R5	1.4L L4 CARB	E-2310	
R5	1.4L L4 F/I	E-2310	
R30	2.7L V6 F/I	33-2726	
<b>1981 RENAULT</b>			
R5	1.4L L4 CARB	E-2310	
R5	1.4L L4 F/I	E-2310	
R30	2.7L V6 F/I	33-2726	
<b>1980 RENAULT</b>			
R5	1.4L L4 CARB	E-2310	
R5	1.4L L4 F/I	E-2310	
R30	2.7L V6 F/I	33-2726	
<b>1979 RENAULT</b>			
R30	2.7L V6 F/I	33-2726	
<b>1978 RENAULT</b>			
R30	2.7L V6 F/I	33-2726	
<b>2001 RIDLEY</b>			
Speedster		E-2292	
<b>2000 RIDLEY</b>			
Speedster		E-2292	
<b>2002 ROLLS ROYCE</b>			
Park Ward	5.4L V12 F/I		HP-7006
Silver Seraph	5.4L V12 F/I		HP-7006
<b>2001 ROLLS ROYCE</b>			
Silver Seraph	5.4L V12 F/I		HP-7006
<b>2000 ROLLS ROYCE</b>			
Silver Seraph	5.4L V12 F/I		HP-7006
<b>1999 ROLLS ROYCE</b>			
Silver Seraph	5.4L V12 F/I		HP-7006
<b>2005 ROVER</b>			
25	1.4L L4 F/I	33-2762 ♦	
25	1.6L L4 F/I	33-2762	
25	1.8L L4 F/I	33-2762	

Vehicle	Engine Type	Air Filter	Oil Filter
<b>2005 ROVER</b>			
25	2.0L L4 DSL	33-2761	
45	1.4L L4 F/I	33-2761	
45	1.6L L4 F/I	33-2761	
45	1.8L L4 F/I	33-2761	
45	2.0L L4 DSL	33-2761	
45	2.0L V6 F/I	33-2761	
75	1.8L L4 F/I	33-2890	
75	2.0L L4 DSL	E-2653	
75	2.0L L4 F/I	33-2890	
75	2.5L V6 F/I	33-2890	
<b>2004 ROVER</b>			
25	1.4L L4 F/I	33-2762 ♦	
25	1.6L L4 F/I	33-2762	
25	1.8L L4 F/I	33-2762	
25	2.0L L4 DSL	33-2761	
45	1.4L L4 F/I	33-2761	
45	1.6L L4 F/I	33-2761	
45	1.8L L4 F/I	33-2761	
45	2.0L L4 DSL	33-2761	
45	2.0L V6 F/I	33-2761	
75	1.8L L4 F/I	33-2890	
75	2.0L L4 DSL	E-2653	
75	2.0L L4 F/I	33-2890	
75	2.5L V6 F/I	33-2890 ♦	
<b>2003 ROVER</b>			
25	1.4L L4 F/I	33-2762 ♦	
25	1.6L L4 F/I	33-2762	
25	1.8L L4 F/I	33-2762	
25	2.0L L4 DSL	33-2761 ♦	
45	1.4L L4 F/I	33-2761	
45	1.6L L4 F/I	33-2761	
45	1.8L L4 F/I	33-2761	
45	2.0L L4 DSL	33-2761	
45	2.0L V6 F/I	33-2761	
75	1.8L L4 F/I	33-2890	
75	2.0L L4 DSL	E-2653	
75	2.0L L4 F/I	33-2890	
75	2.5L V6 F/I	33-2890 ♦	
<b>2002 ROVER</b>			
25	1.4L L4 F/I	33-2762 ♦	
25	1.6L L4 F/I	33-2762	
25	1.8L L4 F/I	33-2762	
25	2.0L L4 DSL	33-2761 ♦	
45	1.4L L4 F/I	33-2761	
45	1.6L L4 F/I	33-2761	
45	1.8L L4 F/I	33-2761	
45	2.0L L4 DSL	33-2761	
45	2.0L V6 F/I	33-2761	
75	2.0L L4 DSL	E-2653	
75	2.0L L4 F/I	33-2890	
75	2.5L V6 F/I	33-2890 ♦	
<b>2001 ROVER</b>			
25	1.4L L4 F/I	33-2762 ♦	
25	1.6L L4 F/I	33-2762	
25	1.8L L4 F/I	33-2762	
25	2.0L L4 DSL	33-2761 ♦	
45	1.4L L4 F/I	33-2761	
45	1.6L L4 F/I	33-2761	
45	1.8L L4 F/I	33-2761	
45	2.0L L4 DSL	33-2761	
45	2.0L V6 F/I	33-2761	
75	2.0L L4 DSL	E-2653	

\*Indicates 2 filters required

♦ - Intake kit available

Applications updated daily at [knfilters.com](http://knfilters.com) ®



# AIR & OIL FILTERS

# ROVER

Vehicle	Engine Type	Air Filter	Oil Filter	Vehicle	Engine Type	Air Filter	Oil Filter
<b>2001 ROVER</b>				<b>1998 ROVER</b>			
75	2.0L L4 F/I	33-2890		115	1.5L L4 DSL	E-9249	
75	2.5L V6 F/I	33-2890 ♦		214	1.4L L4 F/I - K Series 8v, 16v	33-2762 ♦	
MGF	1.8L L4 F/I - VVC, K Series	33-2132 ♦		216	1.6L L4 F/I - 112BHP	33-2762 ♦	
<b>2000 ROVER</b>				<b>1997 ROVER</b>			
25	1.4L L4 F/I	33-2762 ♦		100	1.1L L4 F/I	E-9102	
25	1.6L L4 F/I	33-2762		100	1.4L L4 F/I - 103BHP	33-2647	
25	1.8L L4 F/I	33-2762		100	1.4L L4 F/I - 75BHP	E-9101	
25	2.0L L4 DSL	33-2761 ♦		100	1.4L L4 F/I - 90BHP	E-9102	
45	1.4L L4 F/I	33-2761		111	1.1L L4 F/I - K Series	E-9102	
45	1.6L L4 F/I	33-2761		114	1.4L L4 F/I - 100BHP	33-2647	
45	1.8L L4 F/I	33-2761		114	1.4L L4 F/I - 90BHP, SPi	E-9102	
45	2.0L L4 DSL	33-2761		115	1.5L L4 DSL	E-9249	
45	2.0L V6 F/I	33-2761		214	1.4L L4 F/I - K Series 8v, 16v	33-2762 ♦	
75	2.0L L4 DSL	E-2653		216	1.6L L4 F/I - 112BHP	33-2762 ♦	
75	2.0L L4 F/I	33-2890		216	1.6L L4 F/I - Exc., 112BHP	33-2605 ♦	
75	2.5L V6 F/I	33-2890 ♦		218	1.8L L4 F/I	33-2762 ♦	
220	2.0L L4 DSL	33-2761		220	2.0L L4 DSL	33-2761	
MGF	1.8L L4 F/I - VVC, K Series	33-2132 ♦		220	2.0L L4 F/I - Vi, 16v	33-2647	
Mini	1.3L L4 F/I	E-9172 ♦		414	1.4L L4 F/I - i, Si	33-2761 ♦	
<b>1999 ROVER</b>				<b>1996 ROVER</b>			
25	1.4L L4 F/I	33-2762 ♦		100	1.1L L4 F/I	E-9102	
25	1.6L L4 F/I	33-2762		100	1.4L L4 F/I - 103BHP	33-2647	
25	1.8L L4 F/I	33-2762		100	1.4L L4 F/I - 75BHP	E-9101	
25	2.0L L4 DSL	33-2761 ♦		100	1.4L L4 F/I - 90BHP	E-9102	
75	2.0L L4 DSL	E-2653		100	1.5L L4 DSL	E-9249	
75	2.0L L4 F/I	33-2890		111	1.4L L4 F/I - K Series 8v, 16v	33-2762 ♦	
75	2.5L V6 F/I	33-2890 ♦		216	1.6L L4 F/I - 112BHP	33-2762 ♦	
214	1.4L L4 F/I - K Series 8v, 16v	33-2762 ♦		216	1.6L L4 F/I - Exc., 112BHP	33-2605 ♦	
216	1.6L L4 F/I - 112BHP	33-2762 ♦		218	1.8L L4 F/I	33-2762 ♦	
216	1.6L L4 F/I - Exc., 112BHP	33-2605 ♦		220	2.0L L4 DSL	33-2761	
218	1.8L L4 F/I	33-2762 ♦		220	2.0L L4 F/I - Vi, 16v	33-2647	
220	2.0L L4 DSL	33-2761		414	1.4L L4 F/I - i, Si	33-2761 ♦	
414	1.4L L4 F/I - i, Si	33-2761 ♦		416	1.6L L4 F/I - i, Si, SLi, Auto Trans., 16v, Plastic Inlet Manifold	33-2647 ♦	
416	1.6L L4 F/I - i, Si, SLi, Auto Trans., 16v, Plastic Inlet Manifold	33-2647 ♦		420	2.0L L4 DSL - SD, SDi, SLDi	33-2761	
420	2.0L L4 DSL - SD, SDi, SLDi	33-2761		420	2.0L L4 F/I - GSi, Si, SLi, 16v	33-2761 ♦	
420	2.0L L4 F/I - GSi, Si, SLi, 16v	33-2761 ♦		618	1.8L L4 F/I	33-2613	
618	1.8L L4 F/I	33-2613		620	2.0L L4 DSL	33-2761	
620	2.0L L4 DSL	33-2761		620	2.0L L4 F/I - 200BHP	33-2761	
620	2.0L L4 F/I - 200BHP	33-2761		620	2.0L L4 F/I - Exc., 200BHP	33-2613	
620	2.0L L4 F/I - Exc., 200BHP	33-2613		623	2.3L L4 F/I	33-2613	
623	2.3L L4 F/I	33-2613		820	2.0L L4 F/I - exc. Turbo	33-2667	
820	2.0L L4 F/I - exc. Turbo	33-2667		820	2.0L L4 F/I - Turbo	33-2647	
820	2.0L L4 F/I - Turbo	33-2647		825	2.5L L4 DSL	E-2360	
825	2.5L L4 DSL	E-2360		825	2.5L L4 F/I	33-2761	
825	2.5L L4 F/I	33-2761		MGF	1.8L L4 F/I - VVC, K Series	33-2132 ♦	
MGF	1.8L L4 F/I - VVC, K Series	33-2132 ♦		Mini	1.3L L4 F/I	E-9172 ♦	
Mini	1.3L L4 F/I	E-9172 ♦		<b>1998 ROVER</b>			
<b>1998 ROVER</b>				<b>1996 ROVER</b>			
100	1.1L L4 F/I	E-9102		100	1.1L L4 F/I	E-9102	
100	1.4L L4 F/I - 103BHP	33-2647		820	2.0L L4 F/I - exc. Turbo	33-2667	
100	1.4L L4 F/I - 75BHP	E-9101		820	2.0L L4 F/I - Turbo	33-2647	
100	1.4L L4 F/I - 90BHP	E-9102		825	2.5L L4 DSL	E-2360	
100	1.5L L4 DSL	E-9249		825	2.5L L4 F/I	33-2761	
111	1.1L L4 F/I - K Series	E-9102		MGF	1.8L L4 F/I - VVC, K Series	33-2132 ♦	
114	1.4L L4 F/I - 100BHP	33-2647		Mini	1.3L L4 F/I	E-9172 ♦	
114	1.4L L4 F/I - 90BHP, SPi	E-9102		<b>1996 ROVER</b>			
<b>1996 ROVER</b>				<b>1996 ROVER</b>			
100	1.1L L4 F/I	E-9102		100	1.1L L4 F/I	E-9102	

\*Indicates 2 filters required      ♦ - Intake kit available      Applications updated daily at [knfilters.com](http://knfilters.com) ®

**Partial Listing - Complete List of Vehicles and Applications at [knfilters.com](http://knfilters.com)**

# ROVER

# AIR & OIL FILTERS

Vehicle	Engine Type	Air Filter	Oil Filter	Vehicle	Engine Type	Air Filter	Oil Filter
<b>1996 ROVER</b>				<b>1995 ROVER</b>			
100	1.4L L4 F/I - 103BHP	33-2647		416	1.6L L4 F/I - i, Si, SLi, Auto Trans., 16v, Plastic Inlet Manifold	33-2647 ♦	
100	1.4L L4 F/I - 75BHP	E-9101		418	1.8L L4 DSL - SD	33-2639	
100	1.4L L4 F/I - 90BHP	E-9102		420	2.0L L4 DSL - SD, SDi, SLDi	33-2761	
100	1.5L L4 DSL	E-9249		420	2.0L L4 F/I - GSi, GTi, SLi, 16v	33-2647 ♦	
111	1.1L L4 F/I - K Series	E-9102		420	2.0L L4 F/I - GSi, Si, SLi, 16v	33-2761 ♦	
114	1.4L L4 F/I - 100BHP	33-2647		620	2.0L L4 DSL	33-2761	
114	1.4L L4 F/I - 90BHP, SPI	E-9102		620	2.0L L4 F/I - 200BHP	33-2761	
115	1.5L L4 DSL	E-9249		620	2.0L L4 F/I - Exc., 200BHP	33-2613	
214	1.4L L4 F/I - 16v, SPI, VIN 605481	E-9102 ♦		623	2.3L L4 F/I	33-2613	
214	1.4L L4 F/I - 16v, VIN 605482	33-2647 ♦		820	2.0L L4 F/I - exc. Turbo	33-2667	
214	1.4L L4 F/I - K Series 8v, 16v	33-2762 ♦		820	2.0L L4 F/I - Turbo	33-2647	
216	1.6L L4 F/I - 112BHP	33-2762 ♦		825	2.5L L4 DSL	E-2360	
216	1.6L L4 F/I - Exc., 112BHP	33-2605 ♦		825	2.5L L4 F/I	33-2761	
218	1.8L L4 F/I	33-2762 ♦		Metro	1.4L L4 DSL	33-2539	
220	2.0L L4 DSL	33-2761		Metro	1.4L L4 F/I - GS, GTA, SL, K Series, SPI	E-9101 ♦	
220	2.0L L4 F/I - Vi, 16v	33-2647 ♦		Metro	1.4L L4 F/I - GTi, 16v	33-2647 ♦	
414	1.4L L4 F/I - i, Si	33-2761 ♦		MGF	1.8L L4 F/I - VVC, K Series	33-2132 ♦	
416	1.6L L4 F/I - i, Si, SLi, Auto Trans., 16v, Plastic Inlet Manifold	33-2647 ♦		Mini	1.3L L4 F/I	E-9172 ♦	
420	2.0L L4 DSL - SD, SDi, SLDi	33-2761		Montego	2.0L L4 DSL	E-2360	
420	2.0L L4 F/I - GSi, GTi, SLi, 16v	33-2647 ♦		<b>1994 ROVER</b>			
420	2.0L L4 F/I - GSi, Si, SLi, 16v	33-2761 ♦		100	1.1L L4 F/I	E-9102	
618	1.8L L4 F/I	33-2613		100	1.4L L4 F/I - 103BHP	33-2647	
620	2.0L L4 DSL	33-2761		100	1.4L L4 F/I - 75BHP	E-9101	
620	2.0L L4 F/I - 200BHP	33-2761		100	1.4L L4 F/I - 90BHP	E-9102	
620	2.0L L4 F/I - Exc., 200BHP	33-2613		214	1.4L L4 F/I - 16v, SPI, VIN 605481	E-9102 ♦	
623	2.3L L4 F/I	33-2613		214	1.4L L4 F/I - 16v, VIN 605482	33-2647 ♦	
820	2.0L L4 F/I - exc. Turbo	33-2667		216	1.6L L4 F/I - Exc., 112BHP	33-2605 ♦	
820	2.0L L4 F/I - Turbo	33-2647		218	1.8L L4 DSL	33-2639	
825	2.5L L4 DSL	E-2360		220	2.0L L4 F/I - GTi, GSi, Coupe, 16v, Turbo	33-2647 ♦	
825	2.5L L4 F/I	33-2761		414	1.4L L4 CARB	E-9101	
MGF	1.8L L4 F/I - VVC, K Series	33-2132 ♦		414	1.4L L4 F/I - GSi, Si, SLi, VIN 605481	E-9102	
Mini	1.3L L4 F/I	E-9172 ♦		414	1.4L L4 F/I - GSi, Si, SLi, VIN 605482	33-2647	
<b>1995 ROVER</b>				416	1.6L L4 F/I - GSi, GTi 16v	33-2605	
100	1.1L L4 F/I	E-9102		420	2.0L L4 F/I - GSi, GTi, SLi, 16v	33-2647	
100	1.4L L4 F/I - 103BHP	33-2647		620	2.0L L4 DSL	33-2761	
100	1.4L L4 F/I - 75BHP	E-9101		620	2.0L L4 F/I - 200BHP	33-2761	
100	1.4L L4 F/I - 90BHP	E-9102		620	2.0L L4 F/I - Exc., 200BHP	33-2613	
111	1.1L L4 F/I - K Series	E-9102		623	2.3L L4 F/I	33-2613	
114	1.4L L4 F/I - 100BHP	33-2647		820	2.0L L4 F/I - exc. Turbo	33-2667	
114	1.4L L4 F/I - 90BHP, SPI	E-9102		820	2.0L L4 F/I - Turbo	33-2647	
214	1.4L L4 F/I - 16v, SPI, VIN 605481	E-9102 ♦		825	2.5L L4 DSL	E-2360	
214	1.4L L4 F/I - 16v, VIN 605482	33-2647 ♦		825	2.5L L4 F/I	33-2761	
216	1.6L L4 F/I - Exc., 112BHP	33-2605 ♦		Metro	1.4L L4 DSL	33-2539	
218	1.8L L4 DSL	33-2639		Metro	1.4L L4 F/I - GS, GTA, SL, K Series, SPI	E-9101 ♦	
218	1.8L L4 F/I	33-2762 ♦		Metro	1.4L L4 F/I - GTi, 16v	33-2647 ♦	
220	2.0L L4 DSL	33-2761		Mini	1.3L L4 F/I	E-9172 ♦	
220	2.0L L4 F/I - GTi, GSi, Coupe, 16v, Turbo	33-2647 ♦		Montego	2.0L L4 DSL	E-2360	
414	1.4L L4 CARB	E-9101		Montego	2.0L L4 F/I - w/Panel Filter	33-2597	
414	1.4L L4 F/I - GSi, Si, SLi, VIN 605481	E-9102 ♦		Montego	2.0L L4 F/I - w/Round Filter	E-2360	
414	1.4L L4 F/I - GSi, Si, SLi, VIN 605482	33-2647 ♦		<b>1993 ROVER</b>			
414	1.4L L4 F/I - i, Si	33-2761 ♦		100	1.4L L4 F/I - 103BHP	33-2647	
416	1.6L L4 F/I - GSi, GTi 16v	33-2605 ♦					

\*Indicates 2 filters required

♦ - Intake kit available

Applications updated daily at [knfilters.com](http://knfilters.com) ®

# AIR & OIL FILTERS

# ROVER

Vehicle	Engine Type	Air Filter	Oil Filter
<b>1993 ROVER</b>			
100	1.4L L4 F/I - 75BHP	E-9101	
214	1.4L L4 F/I - 16v, SPi, VIN 605481	E-9102 ♦	
214	1.4L L4 F/I - 16v, VIN 605482	33-2647 ♦	
216	1.6L L4 F/I - Exc., 112BHP	33-2605 ♦	
414	1.4L L4 CARB	E-9101	
414	1.4L L4 F/I - GSi, Si, SLi, VIN 605481	E-9102	
414	1.4L L4 F/I - GSi, Si, SLi, VIN 605482	33-2647	
620	2.0L L4 F/I	33-2613	
820	2.0L L4 F/I - exc. Turbo	33-2667	
820	2.0L L4 F/I - Turbo	33-2647	
825	2.5L L4 DSL	E-2360	
Metro	1.1L L4 CARB - C, L, S, K Series	E-9101	
Metro	1.4L L4 DSL	33-2539	
Metro	1.4L L4 F/I - GS, GTA, SL, K Series, SPi	E-9101 ♦	
Metro	1.4L L4 F/I - GTi, 16v	33-2647 ♦	
Mini	1.3L L4 F/I	E-9172 ♦	
Mini	1000 L4 CARB	E-2601	

Vehicle	Engine Type	Air Filter	Oil Filter
<b>1992 ROVER</b>			
214	1.4L L4 CARB - S	E-9101	
214	1.4L L4 F/I - 16v, SPi, VIN 605481	E-9102 ♦	
214	1.4L L4 F/I - 16v, VIN 605482	33-2647 ♦	
216	1.6L L4 F/I - Exc., 112BHP	33-2605 ♦	
416	1.6L L4 F/I - GSi, GTi 16v	33-2605	
420	2.0L L4 F/I - GSi, GTi, SLi, 16v	33-2647	
820	2.0L L4 F/I - Turbo	33-2647	
Metro	1.1L L4 CARB - C, L, S, K Series	E-9101	
Metro	1.4L L4 DSL	33-2539	
Metro	1.4L L4 F/I - GS, GTA, SL, K Series, SPi	E-9101 ♦	
Metro	1.4L L4 F/I - GTi, 16v	33-2647 ♦	
Metro	1.4L L4 SPI - GS, GTA, SL, K Series	E-9101	
Mini	1.3L L4 CARB	E-2601	
Mini	1.3L L4 F/I	E-9172 ♦	
Mini	1000 L4 CARB	E-2601	
Mini	1100 L4 CARB	E-2601	
Mini	1275 L4 CARB - exc. Cooper	E-2601	
Mini	850 L4 CARB	E-2601	

Vehicle	Engine Type	Air Filter	Oil Filter
<b>1991 ROVER</b>			
100	1.4L L4 F/I - 103BHP	33-2647	
100	1.4L L4 F/I - 75BHP	E-9101	
100	1.4L L4 F/I - 90BHP	E-9102	
214	1.4L L4 CARB - S	E-9101	
214	1.4L L4 F/I - 16v, VIN 605481	E-9102 ♦	
214	1.4L L4 F/I - 16v, VIN 605482	33-2647 ♦	
414	1.4L L4 CARB	E-9101	
414	1.4L L4 F/I - GSi, Si, SLi, VIN 605481	E-9102 ♦	
414	1.4L L4 F/I - GSi, Si, SLi, VIN 605482	33-2647 ♦	
Metro	1.1L L4 CARB - C, L, S, K Series	E-9101	
Metro	1.4L L4 F/I - GS, GTA, SL K Series, SPi	E-9101 ♦	
Metro	1.4L L4 F/I - GTi, 16v	33-2647 ♦	
Metro	1.4L L4 F/I - GTi, 16v, SPi	E-9102 ♦	

Vehicle	Engine Type	Air Filter	Oil Filter
<b>1991 ROVER</b>			
Mini	1.3L L4 CARB	E-2601	
Mini	1.3L L4 F/I	E-9172 ♦	
Mini	1100 L4 CARB	E-2601	
Mini	1275 L4 CARB - exc. Cooper	E-2601	
Mini	850 L4 CARB	E-2601	

Vehicle	Engine Type	Air Filter	Oil Filter
<b>1990 ROVER</b>			
Metro	1.0L L4 CARB - OHV A Series, HLE	E-2601	
Metro	1.3L L4 F/I - inc. MG, GTA	E-2601	
Mini	1100 L4 CARB	E-2601	
Mini	1275 L4 CARB - exc. Cooper	E-2601	
Mini	850 L4 CARB	E-2601	

Vehicle	Engine Type	Air Filter	Oil Filter
<b>1989 ROVER</b>			
216	1.6L L4 CARB	E-2360	
Metro	1.3L L4 F/I - inc. MG, GTA	E-2601	

Vehicle	Engine Type	Air Filter	Oil Filter
<b>1988 ROVER</b>			
Metro	1.3L L4 F/I - inc. MG, GTA	E-2601	

Vehicle	Engine Type	Air Filter	Oil Filter
<b>1986 ROVER</b>			
Metro	1.3L - inc. MG, GTA	E-2601	
Metro	1.3L CARB - MG Turbo	E-2360	
SD1	3.5L - Vitesse	E-2350	
SD1	3.5L - w/SU Carbs.	E-9098*	

Vehicle	Engine Type	Air Filter	Oil Filter
<b>1985 ROVER</b>			
SD1	3.5L - Vitesse	E-2350	
SD1	3.5L - w/SU Carbs.	E-9098*	

Vehicle	Engine Type	Air Filter	Oil Filter
<b>1984 ROVER</b>			
Metro	1.3L - inc. MG, GTA	E-2601	
Metro	1.3L CARB - MG Turbo	E-2360	
SD1	3.5L - Vitesse	E-2350	

Vehicle	Engine Type	Air Filter	Oil Filter
<b>1982 ROVER</b>			
SD1	3.5L - Vitesse	E-2350	

Vehicle	Engine Type	Air Filter	Oil Filter
<b>1973 ROVER</b>			
MGB	1800 CARB - GT, Tourer	E-2400*	

Vehicle	Engine Type	Air Filter	Oil Filter
<b>1960 ROVER</b>			
Mini	848 L4 CARB - single carb.	E-9001	

Vehicle	Engine Type	Air Filter	Oil Filter
<b>2011 SAAB</b>			
9-3	1.8L L4 F/I	33-2337	
9-3	1.9L L4 DSL	33-2337	
9-3	2.0L L4 F/I	33-2337	
9-5	1.6L L4 F/I	33-2962	
9-5	2.0L L4 DSL	33-2962	
9-5	2.0L L4 F/I	33-2962	
9-5	2.8L V6 F/I	33-2962	HP-1010

Vehicle	Engine Type	Air Filter	Oil Filter
<b>2010 SAAB</b>			
9-3	1.8L L4 F/I	33-2337	
9-3	1.9L L4 DSL	33-2337	
9-3	2.0L L4 F/I	33-2337	HP-7000
9-3	2.8L V6 F/I	33-2337	HP-7003
9-3X	2.0L L4 F/I	33-2337	HP-7000
9-5	1.6L L4 F/I	33-2962	
9-5	2.0L L4 DSL	33-2962	
9-5	2.0L L4 F/I	33-2962	
9-5	2.8L V6 F/I	33-2962	

\*Indicates 2 filters required      ♦ - Intake kit available      Applications updated daily at [knfilters.com](http://knfilters.com) ®

**Partial Listing - Complete List of Vehicles and Applications at [knfilters.com](http://knfilters.com)**

# SAAB

# AIR & OIL FILTERS

Vehicle	Engine Type	Air Filter	Oil Filter	Vehicle	Engine Type	Air Filter	Oil Filter
<b>2009 SAAB</b>				<b>2004 SAAB</b>			
9-3	1.8L L4 F/I	33-2337		9-3	2.2L L4 DSL	33-2337	
9-3	1.9L L4 DSL	33-2337		9-5	2.0L L4 F/I	E-2455 ♦	
9-3	2.0L L4 F/I	33-2337	HP-7000	9-5	2.3L L4 F/I	E-2455	HP-1002
9-3	2.8L V6 F/I	33-2337	HP-7003	<b>2003 SAAB</b>			
9-5	2.3L L4 F/I	E-2455	HP-1002	9-3	1.8L L4 F/I	33-2337	
9-7x	4.2L L6 F/I	E-1009	HP-2006	9-3	1.8L L4 F/I - exc. Turbo	33-2337	HP-7001
9-7x	5.3L V8 F/I	E-1009	HP-1017	9-3	1.8L L4 F/I - Turbo	33-2337	HP-7000
9-7x	6.0L V8 F/I	E-1009	HP-1017	9-3	2.0L L4 F/I - Non-US	33-2337 ♦	
<b>2008 SAAB</b>				9-3	2.0L L4 F/I - Non-US, Convertible		HP-1002
9-3	1.8L L4 F/I	33-2337		9-3	2.0L L4 F/I - Non-US, Sedan		HP-7000
9-3	1.8L L4 F/I - exc. Turbo	33-2337	HP-7001	9-3	2.0L L4 F/I - US, Convertible	33-2165	HP-1002
9-3	1.8L L4 F/I - Turbo	33-2337	HP-7000	9-3	2.0L L4 F/I - US, Sedan	33-2337	HP-7000
9-3	1.9L L4 DSL	33-2337		9-3	2.2L L4 DSL	33-2337	
9-3	2.0L L4 F/I	33-2337	HP-7000	9-5	2.0L L4 F/I	E-2455 ♦	
9-3	2.8L V6 F/I	33-2337	HP-7003	9-5	2.3L L4 F/I	E-2455	HP-1002
9-5	2.3L L4 F/I	E-2455	HP-1002	9-5	3.0L V6 F/I	E-2455	HP-1002
9-7x	4.2L L6 F/I	E-1009	HP-2006	<b>2002 SAAB</b>			
9-7x	5.3L V8 F/I	E-1009	HP-1017	9-3	1.8L L4 F/I	33-2337	HP-7000
9-7x	6.0L V8 F/I	E-1009	HP-1017	9-3	2.0L L4 F/I - Non-US		HP-7000
<b>2007 SAAB</b>				9-3	2.0L L4 F/I - Non-US, from 8/02	33-2337 ♦	
9-2X	2.0L H4 F/I	33-2336	HP-1008	9-3	2.0L L4 F/I - Non-US, OEM 4236030, to 7/02	33-2166 ♦	
9-2X	2.5L H4 F/I	33-2336	HP-1008	9-3	2.0L L4 F/I - Non-US, OEM 4876074, to 7/02	33-2165 ♦	
9-3	1.8L L4 F/I	33-2337		9-3	2.0L L4 F/I - US	33-2165	HP-1002
9-3	1.8L L4 F/I - exc. Turbo	33-2337	HP-7001	9-3	2.2L L4 DSL - YS3D	33-2858	
9-3	1.8L L4 F/I - Turbo	33-2337	HP-7000	9-3	2.2L L4 DSL - YS3F	33-2337	
9-3	1.9L L4 DSL	33-2337		9-3	2.3L L4 F/I	33-2165	HP-1002
9-3	2.0L L4 F/I	33-2337	HP-7000	9-5	2.0L L4 F/I	E-2455 ♦	
9-3	2.8L V6 F/I	33-2337	HP-7003	9-5	2.3L L4 F/I	E-2455	HP-1002
9-5	2.3L L4 F/I	E-2455	HP-1002	9-5	3.0L V6 F/I	E-2455	HP-1002
9-7x	4.2L L6 F/I	E-1009	HP-2006	<b>2001 SAAB</b>			
9-7x	5.3L V8 F/I	E-1009	HP-1017	9-3	2.0L L4 F/I		HP-1002
<b>2006 SAAB</b>				9-3	2.0L L4 F/I - OEM 4236030	33-2166 ♦	HP-1002
9-2X	2.0L H4 F/I	33-2336	HP-1008	9-3	2.0L L4 F/I - OEM 4876074	33-2165 ♦	HP-1002
9-2X	2.5L H4 F/I	33-2336	HP-1008	9-3	2.0L L4 F/I - US	33-2165	HP-1002
9-3	1.8L L4 F/I	33-2337		9-3	2.2L L4 DSL	33-2858	
9-3	1.8L L4 F/I - exc. Turbo	33-2337	HP-7001	9-3	2.3L L4 F/I	33-2165	HP-1002
9-3	1.8L L4 F/I - Turbo	33-2337	HP-7000	9-5	2.0L L4 F/I	E-2455 ♦	
9-3	1.9L L4 DSL	33-2337		9-5	2.3L L4 F/I	E-2455	HP-1002
9-3	2.0L L4 F/I	33-2337 ♦	HP-7000	9-5	3.0L V6 F/I	E-2455	HP-1002
9-3	2.8L V6 F/I	33-2337	HP-7003	<b>2000 SAAB</b>			
9-5	2.3L L4 F/I	E-2455	HP-1002	9-3	2.0L L4 F/I		HP-1002
9-7x	4.2L L6 F/I	E-1009	HP-2006	9-3	2.0L L4 F/I - OEM 4236030	33-2166 ♦	HP-1002
9-7x	5.3L V8 F/I	E-1009	HP-1007	9-3	2.0L L4 F/I - OEM 4876074	33-2165 ♦	HP-1002
<b>2005 SAAB</b>				9-3	2.2L L4 DSL	33-2858	
9-2X	2.0L H4 F/I	33-2336	HP-1008	9-3	2.3L L4 F/I	33-2165	HP-1002
9-2X	2.5L H4 F/I	33-2336	HP-1008	9-5	2.0L L4 F/I	E-2455	
9-3	1.8L L4 F/I	33-2337		9-5	2.3L L4 F/I	E-2455	HP-1002
9-3	1.8L L4 F/I - exc. Turbo	33-2337	HP-7001	9-5	3.0L V6 F/I	E-2455	HP-1002
9-3	1.8L L4 F/I - Turbo	33-2337	HP-7000	<b>1999 SAAB</b>			
9-3	1.9L L4 DSL	33-2337		9-3	2.0L L4 F/I		HP-1002
9-3	2.0L L4 F/I	33-2337 ♦	HP-7000	9-3	2.0L L4 F/I - OEM 4236030	33-2166 ♦	HP-1002
9-3	2.8L V6 F/I	33-2337	HP-7003	9-3	2.0L L4 F/I - OEM 4876074	33-2165 ♦	HP-1002
9-5	2.3L L4 F/I	E-2455	HP-1002	9-3	2.2L L4 DSL	33-2858	
9-7x	4.2L L6 F/I	E-1009	HP-2006	9-3	2.3L L4 F/I		HP-1002
9-7x	5.3L V8 F/I	E-1009	HP-1007	9-3	2.0L L4 F/I	E-2455	
<b>2004 SAAB</b>				9-5	2.3L L4 F/I	E-2455	HP-1002
9-3	1.8L L4 F/I	33-2337		9-5	3.0L V6 F/I	E-2455	HP-1002
9-3	1.8L L4 F/I - exc. Turbo	33-2337	HP-7001	<b>1999 SAAB</b>			
9-3	1.8L L4 F/I - Turbo	33-2337	HP-7000	9-3	2.0L L4 F/I		HP-1002
9-3	1.9L L4 DSL	33-2337		9-3	2.0L L4 F/I - OEM 4236030	33-2166 ♦	HP-1002
9-3	2.0L L4 F/I	33-2337 ♦	HP-7000	9-3	2.0L L4 F/I - OEM 4876074	33-2165 ♦	HP-1002
9-3	2.8L V6 F/I	33-2337	HP-7003	9-3	2.2L L4 DSL	33-2858	
9-5	2.3L L4 F/I	E-2455	HP-1002	9-3	2.3L L4 F/I		HP-1002
9-7x	4.2L L6 F/I	E-1009	HP-2006	9-3	2.0L L4 F/I	E-2455	
9-7x	5.3L V8 F/I	E-1009	HP-1007	9-3	2.3L L4 F/I	E-2455	HP-1002

\*Indicates 2 filters required

♦ - Intake kit available

Applications updated daily at [knfilters.com](http://knfilters.com) ®

# AIR & OIL FILTERS

# SAAB

Vehicle	Engine Type	Air Filter	Oil Filter	Vehicle	Engine Type	Air Filter	Oil Filter
<b>1999 SAAB</b>				<b>1995 SAAB</b>			
9-3	2.3L L4 F/I - OEM 4236030	33-2166	HP-1002	9000	2.3L L4 F/I	E-9060	HP-1002
9-3	2.3L L4 F/I - OEM 4876074	33-2165	HP-1002	9000	3.0L V6 F/I	E-9060	HP-1001
9-5	2.0L L4 F/I	E-2455		<b>1994 SAAB</b>			
9-5	2.3L L4 F/I	E-2455	HP-1002	900	2.0L L4 F/I	33-2663	HP-1002
9-5	3.0L V6 F/I	E-2455	HP-1002	900	2.1L L4 F/I	33-2663	HP-1002
<b>1998 SAAB</b>				900	2.3L L4 F/I	33-2663	HP-1002
9-3	2.0L L4 F/I - OEM 4236030	33-2166 ♦		900	2.5L V6 F/I	33-2080	HP-1001
9-3	2.0L L4 F/I - OEM 4876074	33-2165 ♦		900 I	2.0L L4 F/I - 16v	E-2457 ♦	
9-3	2.2L L4 DSL	33-2858		900 I	2.0L L4 F/I - 8v	E-2450 ♦	
9-3	2.3L L4 - Turbo	33-2166		900 I	2.1L L4 F/I	33-2663	HP-1002
9-5	2.0L L4 F/I	E-2455		900 II	2.0L L4 F/I	33-2663	HP-1002
9-5	2.3L L4 F/I	E-2455	HP-1002	900 II	2.3L L4 F/I	33-2663	HP-1002
9-5	3.0L V6 F/I	E-2455	HP-1002	900 II	2.5L V6 F/I	33-2080	HP-1001
900	2.0L L4 F/I	33-2663	HP-1002	9000	2.0L L4 F/I - w/Panel Filter	33-2020	
900	2.3L L4 F/I		HP-1002	9000	2.0L L4 F/I - w/Round Filter	E-9060	
900 II	2.0L L4 F/I	33-2663	HP-1002	9000	2.3L L4 F/I	E-9060	HP-1002
900 II	2.3L L4 F/I	33-2663	HP-1002	9000	3.0L V6 F/I	E-9060	HP-1001
900 II	2.5L V6 F/I	33-2080	HP-1001	<b>1993 SAAB</b>			
9000	2.0L L4 F/I - w/Panel Filter	33-2020		900	2.0L L4 F/I	E-2457	HP-1002
9000	2.0L L4 F/I - w/Round Filter	E-9060		900	2.1L L4 F/I	E-9140	HP-1002
9000	2.3L L4 F/I	E-9060	HP-1002	900 I	2.0L L4 F/I - 16v	E-2457 ♦	
9000	3.0L V6 F/I	E-9060	HP-1001	900 I	2.0L L4 F/I - 8v	E-2450 ♦	
<b>1997 SAAB</b>				900 I	2.1L L4 F/I	E-9140	HP-1002
9-5	2.0L L4 F/I	E-2455		900 II	2.0L L4 F/I	33-2663	HP-1002
9-5	2.3L L4 F/I	E-2455	HP-1002	900 II	2.3L L4 F/I	33-2663	HP-1002
900	2.0L L4 F/I	33-2166	HP-1002	900 II	2.5L V6 F/I	33-2080	HP-1001
900	2.3L L4 F/I	33-2166	HP-1002	9000	2.0L L4 F/I - w/Panel Filter	33-2020	
900	2.5L V6 F/I	33-2166	HP-1001	9000	2.0L L4 F/I - w/Round Filter	E-9060	
900 II	2.0L L4 F/I	33-2663	HP-1002	9000	2.3L L4 F/I	E-9060	HP-1002
900 II	2.3L L4 F/I	33-2663	HP-1002	<b>1992 SAAB</b>			
900 II	2.5L V6 F/I	33-2166	HP-1001	900	2.0L L4 F/I	E-2457	HP-1002
9000	2.0L L4 F/I - w/Panel Filter	33-2020		900	2.1L L4 F/I	E-9140	HP-1002
9000	2.0L L4 F/I - w/Round Filter	E-9060		900 I	2.0L L4 F/I - 16v	E-2457 ♦	
9000	2.3L L4 F/I	E-9060	HP-1002	900 I	2.0L L4 F/I - 8v	E-2450 ♦	
9000	3.0L V6 F/I	E-9060	HP-1001	900 I	2.1L L4 F/I	E-9140	HP-1002
<b>1996 SAAB</b>				9000	2.0L L4 F/I - w/Panel Filter	33-2020	
900	2.0L L4 F/I	33-2166	HP-1002	9000	2.0L L4 F/I - w/Round Filter	E-9060	
900	2.3L L4 F/I	33-2166	HP-1002	9000	2.3L L4 F/I	E-9060	HP-1002
900	2.5L V6 F/I	33-2166	HP-1001	<b>1991 SAAB</b>			
900 II	2.0L L4 F/I	33-2663	HP-1002	900	2.0L L4 F/I	E-2457	HP-1002
900 II	2.3L L4 F/I	33-2663	HP-1002	900	2.1L L4 F/I	E-9140	HP-1002
900 II	2.5L V6 F/I	33-2166	HP-1001	900 I	2.0L L4 F/I - 16v	E-2457 ♦	
9000	2.0L L4 F/I - w/Panel Filter	33-2020		900 I	2.0L L4 F/I - 8v	E-2450 ♦	
9000	2.0L L4 F/I - w/Round Filter	E-9060		900 I	2.1L L4 F/I	E-9140	HP-1002
9000	2.3L L4 F/I	E-9060	HP-1002	9000	2.0L L4 F/I - w/Panel Filter	33-2020	
9000	3.0L V6 F/I	E-9060	HP-1001	9000	2.0L L4 F/I - w/Round Filter	E-9060	
<b>1995 SAAB</b>				9000	2.3L L4 F/I		HP-1002
900	2.0L L4 F/I	33-2663	HP-1002	9000	2.3L L4 F/I - Non-US	E-9060	HP-1002
900	2.3L L4 F/I	33-2663	HP-1002	9000	2.3L L4 F/I - US, exc. Turbo	E-9060	HP-1002
900	2.5L V6 F/I	33-2080	HP-1001	9000	2.3L L4 F/I - US, Turbo	33-2020	HP-1002
900 II	2.0L L4 F/I	33-2663	HP-1002	<b>1990 SAAB</b>			
900 II	2.3L L4 F/I	33-2663	HP-1002	900	2.0L L4 F/I	E-2457	HP-1002
900 II	2.5L V6 F/I	33-2080	HP-1001	900 I	2.0L L4 F/I - 16v	E-2457 ♦	
9000	2.0L L4 F/I - w/Panel Filter	33-2020		900 I	2.0L L4 F/I - 8v	E-2450 ♦	
9000	2.0L L4 F/I - w/Round Filter	E-9060		900 I	2.1L L4 F/I	E-9140	HP-1002
				9000	2.0L L4 F/I	E-9060	HP-1002

\*Indicates 2 filters required      ♦ - Intake kit available      Applications updated daily at [knfilters.com](http://knfilters.com) ®

**Partial Listing - Complete List of Vehicles and Applications at [knfilters.com](http://knfilters.com)**

# SAAB

# AIR & OIL FILTERS

Vehicle	Engine Type	Air Filter	Oil Filter
<b>1990 SAAB</b>			
9000	2.0L L4 F/I - Non-US, w/Panel Filter	33-2020	HP-1002
9000	2.0L L4 F/I - Non-US, w/Round Filter	E-9060	HP-1002
9000	2.3L L4 F/I	E-9060	HP-1002
<b>1989 SAAB</b>			
900	2.0L L4 F/I		HP-1002
900	2.0L L4 F/I - DOHC	E-2457	HP-1002
900	2.0L L4 F/I - SOHC	E-2450	HP-1002
900 I	2.0L L4 F/I		HP-1002
900 I	2.0L L4 F/I - 16v	E-2457 ♦	HP-1002
900 I	2.0L L4 F/I - 8v	E-2450 ♦	HP-1002
9000	2.0L L4 F/I		HP-1002
9000	2.0L L4 F/I - Non-US, w/Panel Filter	33-2020	HP-1002
9000	2.0L L4 F/I - Non-US, w/Round Filter	E-9060	HP-1002
9000	2.0L L4 F/I - US	E-9060	HP-1002
9000	2.3L L4 F/I	E-9060	HP-1002
<b>1988 SAAB</b>			
900	2.0L L4 F/I		HP-1002
900	2.0L L4 F/I - exc. Turbo	E-2450	HP-1002
900	2.0L L4 F/I - Turbo	E-2457	HP-1002
900 I	2.0L L4 F/I		HP-1002
900 I	2.0L L4 F/I - 16v	E-2457 ♦	HP-1002
900 I	2.0L L4 F/I - 8v	E-2450 ♦	HP-1002
9000	2.0L L4 F/I		HP-1002
9000	2.0L L4 F/I - Non-US, w/Panel Filter	33-2020	HP-1002
9000	2.0L L4 F/I - Non-US, w/Round Filter	E-9060	HP-1002
9000	2.0L L4 F/I - US, exc. Turbo	33-2020	HP-1002
9000	2.0L L4 F/I - US, Turbo	E-9060	HP-1002
<b>1987 SAAB</b>			
900	2.0L L4 F/I		HP-1002
900	2.0L L4 F/I - DOHC	E-2457	HP-1002
900	2.0L L4 F/I - SOHC	E-2450	HP-1002
900 I	2.0L L4 F/I		HP-1002
900 I	2.0L L4 F/I - 16v	E-2457	HP-1002
900 I	2.0L L4 F/I - 8v	E-2450	HP-1002
9000	2.0L L4 F/I		HP-1002
9000	2.0L L4 F/I - Non-US, w/Panel Filter	33-2020	HP-1002
9000	2.0L L4 F/I - Non-US, w/Round Filter	E-9060	HP-1002
9000	2.0L L4 F/I - US, exc. Turbo	33-2020	HP-1002
9000	2.0L L4 F/I - US, Turbo	E-9060	HP-1002
<b>1986 SAAB</b>			
900	2.0L L4 F/I		HP-1002
900	2.0L L4 F/I - exc. Turbo	E-2450	HP-1002
900	2.0L L4 F/I - Turbo	E-2457	HP-1002
900 I	2.0L L4 F/I		HP-1002
900 I	2.0L L4 F/I - 16v	E-2457	HP-1002
900 I	2.0L L4 F/I - 8v	E-2450	HP-1002
9000	2.0L L4 F/I		HP-1002
9000	2.0L L4 F/I - Non-US, w/Panel Filter	33-2020	HP-1002
9000	2.0L L4 F/I - Non-US, w/Round Filter	E-9060	HP-1002
9000	2.0L L4 F/I - US	33-2020	HP-1002
<b>1985 SAAB</b>			
900	2.0L L4 F/I	E-2450	HP-1002
900 I	2.0L L4 F/I		HP-1002
900 I	2.0L L4 F/I - 16v	E-2457	HP-1002

Vehicle	Engine Type	Air Filter	Oil Filter
<b>1985 SAAB</b>			
900 I	2.0L L4 F/I - 8v	E-2450	HP-1002
9000	2.0L L4 F/I		HP-1002
9000	2.0L L4 F/I - w/Panel Filter	33-2020	HP-1002
9000	2.0L L4 F/I - w/Round Filter	E-9060	HP-1002
<b>1984 SAAB</b>			
900	2.0L L4 F/I	E-2450	HP-1002
900 I	2.0L L4 F/I		HP-1002
900 I	2.0L L4 F/I - 16v	E-2457	HP-1002
900 I	2.0L L4 F/I - 8v	E-2450	HP-1002
9000	2.0L L4 F/I		HP-1002
9000	2.0L L4 F/I - w/Panel Filter	33-2020	HP-1002
9000	2.0L L4 F/I - w/Round Filter	E-9060	HP-1002
<b>1983 SAAB</b>			
900	2.0L L4 F/I	E-2450	HP-1002
900 I	2.0L L4 F/I	E-2450	HP-1002
<b>1978 SAAB</b>			
99	2.0L L4 F/I - exc. cart. type		HP-1002
<b>1976 SAAB</b>			
99	2.0L L4 F/I - exc. cart. type		HP-1002
<b>1975 SAAB</b>			
99	2.0L L4 F/I - exc. cart. type		HP-1002
<b>1974 SAAB</b>			
Sonett	1.7L V4 CARB		HP-1002
<b>1972 SAAB</b>			
96	1.7L V4 CARB		HP-1002
<b>1968 SAAB</b>			
96	1.5L V4 CARB		HP-1002
<b>2001 SACHS</b>			
Roadster 125	125		KN-145
<b>2000 SACHS</b>			
Roadster 125	125		KN-145
<b>1999 SACHS</b>			
Roadster 125	125		KN-145
<b>1998 SACHS</b>			
Roadster 125	125		KN-145
<b>2010 SATURN</b>			
Aura	3.6L V6 F/I		HP-1017
Outlook	3.6L V6 F/I		HP-1017
Vue	3.5L V6 F/I		HP-2006
Vue	3.6L V6 F/I		HP-1017
<b>2009 SATURN</b>			
Aura	2.4L L4 F/I	33-2249	HP-7000
Aura	3.6L V6 F/I	33-2249	HP-1017
Outlook	3.6L V6 F/I	33-2394	HP-1017
Sky	2.0L L4 F/I	33-2369	HP-7000
Sky	2.4L L4 F/I	33-2349 ♦	HP-7000
Vue	2.4L L4 F/I	33-2404	HP-7000
Vue	3.5L V6 F/I	33-2404	HP-2006
Vue	3.6L V6 F/I	33-2404	HP-1017
Vue Hybrid	2.4L L4 F/I	33-2404	HP-7000
<b>2008 SATURN</b>			
Astra	1.8L L4 F/I	33-2787	

\*Indicates 2 filters required

♦ - Intake kit available

Applications updated daily at [knfilters.com](http://knfilters.com) ®

# AIR & OIL FILTERS

# SATURN

Vehicle	Engine Type	Air Filter	Oil Filter	Vehicle	Engine Type	Air Filter	Oil Filter
<b>2008 SATURN</b>				<b>2003 SATURN</b>			
Aura	2.4L L4 F/I	33-2249	HP-7000	LW200	2.2L L4 F/I	33-2160	HP-7000
Aura	3.5L V6 F/I	33-2249	HP-2006	LW300	3.0L V6 F/I	33-2160	HP-7001
Aura	3.6L V6 F/I	33-2249	HP-1017	Vue	2.2L L4 F/I	33-2249	HP-7000
Outlook	3.6L V6 F/I	33-2394	HP-1017	Vue	3.0L V6 F/I	33-2249	HP-7001
Sky	2.0L L4 F/I	33-2369 ♦	HP-7000	<b>2002 SATURN</b>			
Sky	2.4L L4 F/I	33-2349 ♦	HP-7000	L100	2.2L L4 F/I	33-2160	HP-7000
Vue	2.4L L4 F/I	33-2404	HP-7000	L200	2.2L L4 F/I	33-2160	HP-7000
Vue	3.5L V6 F/I	33-2404	HP-2006	L300	3.0L V6 F/I	33-2160	HP-7001
Vue	3.6L V6 F/I	33-2404	HP-1017	LS2	3.0L V6 F/I	33-2160	
<b>2007 SATURN</b>				LW200	2.2L L4 F/I	33-2160	HP-7000
Aura	3.5L V6 F/I	33-2249	HP-2006	LW300	3.0L V6 F/I	33-2160	HP-7001
Aura	3.6L V6 F/I	33-2249	HP-1017	SC1	1.9L L4 F/I	33-2055	HP-1002
Ion	2.0L L4 F/I	E-0774	HP-7000	SC2	1.9L L4 F/I	33-2055	HP-1002
Ion-2	2.2L L4 F/I	33-2358	HP-7000	SL	1.9L L4 F/I	33-2055	HP-1002
Ion-3	2.2L L4 F/I	33-2358	HP-7000	SL1	1.9L L4 F/I	33-2055	HP-1002
Ion-3	2.4L L4 F/I	33-2358	HP-7000	SL2	1.9L L4 F/I	33-2055	HP-1002
Outlook	3.6L V6 F/I	33-2394	HP-1017	Vue	2.2L L4 F/I	33-2249	HP-7000
Relay-1	3.9L V6 F/I	33-2318	HP-2006	Vue	3.0L V6 F/I	33-2249	HP-7001
Relay-2	3.9L V6 F/I	33-2318	HP-2006	<b>2001 SATURN</b>			
Relay-3	3.9L V6 F/I	33-2318	HP-2006	L100	2.2L L4 F/I	33-2160	HP-7000
Sky	2.0L L4 F/I	33-2369	HP-7000	L200	2.2L L4 F/I	33-2160	HP-7000
Sky	2.4L L4 F/I	33-2349 ♦	HP-7000	L300	3.0L V6 F/I	33-2160	HP-7001
Vue	2.2L L4 F/I	33-2249	HP-7000	LS2	3.0L V6 F/I	33-2160	
Vue	2.4L L4 F/I	33-2249	HP-7000	LW200	2.2L L4 F/I	33-2160	HP-7000
Vue	3.5L V6 F/I	33-2249 ♦	HP-1010	LW300	3.0L V6 F/I	33-2160	HP-7001
<b>2006 SATURN</b>				SC1	1.9L L4 F/I	33-2055	HP-1002
Ion	2.0L L4 F/I	E-0774 ♦	HP-7000	SC2	1.9L L4 F/I	33-2055	HP-1002
Ion-2	2.2L L4 F/I	33-2358	HP-7000	SL	1.9L L4 F/I	33-2055	HP-1002
Ion-3	2.2L L4 F/I	33-2358	HP-7000	SL1	1.9L L4 F/I	33-2055	HP-1002
Ion-3	2.4L L4 F/I	33-2358	HP-7000	SL2	1.9L L4 F/I	33-2055	HP-1002
Relay-2	3.5L V6 F/I	33-2318	HP-1001	SW1	1.9L L4 F/I	33-2055	HP-1002
Relay-3	3.5L V6 F/I	33-2318	HP-1001	SW2	1.9L L4 F/I	33-2055	HP-1002
Relay-3	3.9L V6 F/I	33-2318	HP-2006	<b>2000 SATURN</b>			
Vue	2.2L L4 F/I	33-2249	HP-7000	LS	2.2L L4 F/I	33-2160	HP-7000
Vue	3.5L V6 F/I	33-2249 ♦	HP-1010	LS1	2.2L L4 F/I	33-2160	HP-7000
<b>2005 SATURN</b>				LS2	3.0L V6 F/I	33-2160	HP-7001
Ion	2.0L L4 F/I	E-0774 ♦	HP-7000	LW1	2.2L L4 F/I	33-2160	HP-7000
Ion-1	2.2L L4 F/I	33-2275	HP-7000	LW2	3.0L V6 F/I	33-2160	HP-7001
Ion-2	2.2L L4 F/I	33-2275	HP-7000	SC1	1.9L L4 F/I	33-2055	HP-1002
Ion-3	2.2L L4 F/I	33-2275	HP-7000	SC2	1.9L L4 F/I	33-2055	HP-1002
L300	3.0L V6 F/I	33-2160	HP-7001	SL	1.9L L4 F/I	33-2055	HP-1002
Relay-2	3.5L V6 F/I	33-2318	HP-1001	SL1	1.9L L4 F/I	33-2055	HP-1002
Relay-3	3.5L V6 F/I	33-2318	HP-1001	SL2	1.9L L4 F/I	33-2055	HP-1002
Vue	2.2L L4 F/I	33-2249	HP-7000	SW1	1.9L L4 F/I	33-2055	HP-1002
Vue	3.5L V6 F/I	33-2249 ♦	HP-1010	SW2	1.9L L4 F/I	33-2055	HP-1002
<b>2004 SATURN</b>				<b>1999 SATURN</b>			
Ion	2.0L L4 F/I	E-0774 ♦	HP-7000	SC1	1.9L L4 F/I	33-2055	HP-1002
Ion-1	2.2L L4 F/I	33-2275	HP-7000	SC2	1.9L L4 F/I	33-2055	HP-1002
Ion-2	2.2L L4 F/I	33-2275	HP-7000	SL	1.9L L4 F/I	33-2055	HP-1002
Ion-3	2.2L L4 F/I	33-2275	HP-7000	SL1	1.9L L4 F/I	33-2055	HP-1002
L300-1	2.2L L4 F/I	33-2160	HP-7000	SL2	1.9L L4 F/I	33-2055	HP-1002
L300-2	3.0L V6 F/I	33-2160	HP-7001	SW1	1.9L L4 F/I	33-2055	HP-1002
L300-3	3.0L V6 F/I	33-2160	HP-7001	SW2	1.9L L4 F/I	33-2055	HP-1002
Vue	2.2L L4 F/I	33-2249	HP-7000	<b>1998 SATURN</b>			
Vue	3.5L V6 F/I	33-2249 ♦	HP-1010	SC1	1.9L L4 F/I	33-2055	HP-1002
<b>2003 SATURN</b>				SC2	1.9L L4 F/I	33-2055	HP-1002
Ion-1	2.2L L4 F/I	33-2275	HP-7000	SL	1.9L L4 F/I	33-2055	HP-1002
Ion-2	2.2L L4 F/I	33-2275	HP-7000	SL1	1.9L L4 F/I	33-2055	HP-1002
Ion-3	2.2L L4 F/I	33-2275	HP-7000	SL2	1.9L L4 F/I	33-2055	HP-1002
L200	2.2L L4 F/I	33-2160	HP-7000	SW1	1.9L L4 F/I	33-2055	HP-1002
L300	3.0L V6 F/I	33-2160	HP-7001	SW2	1.9L L4 F/I	33-2055	HP-1002

\*Indicates 2 filters required

♦ - Intake kit available

Applications updated daily at [knfilters.com](http://knfilters.com) ®

Partial Listing - Complete List of Vehicles and Applications at [knfilters.com](http://knfilters.com)

# SATURN

# AIR & OIL FILTERS

Vehicle	Engine Type	Air Filter	Oil Filter
<b>1997 SATURN</b>			
SC1	1.9L L4 F/I	33-2055	HP-1002
SC2	1.9L L4 F/I	33-2055	HP-1002
SL	1.9L L4 F/I	33-2055	HP-1002
SL1	1.9L L4 F/I	33-2055	HP-1002
SL2	1.9L L4 F/I	33-2055	HP-1002
SW1	1.9L L4 F/I	33-2055	HP-1002
SW2	1.9L L4 F/I	33-2055	HP-1002

<b>1996 SATURN</b>			
SC1	1.9L L4 F/I	33-2055	HP-1002
SC2	1.9L L4 F/I	33-2055 ♦	HP-1002
SL	1.9L L4 F/I	33-2055	HP-1002
SL1	1.9L L4 F/I	33-2055	HP-1002
SL2	1.9L L4 F/I	33-2055 ♦	HP-1002
SW1	1.9L L4 F/I	33-2055	HP-1002
SW2	1.9L L4 F/I	33-2055 ♦	HP-1002

<b>1995 SATURN</b>			
SC1	1.9L L4 F/I	33-2055	HP-1002
SC2	1.9L L4 F/I	33-2055 ♦	HP-1002
SL	1.9L L4 F/I	33-2055	HP-1002
SL1	1.9L L4 F/I	33-2055	HP-1002
SL2	1.9L L4 F/I	33-2055 ♦	HP-1002
SW1	1.9L L4 F/I	33-2055	HP-1002
SW2	1.9L L4 F/I	33-2055 ♦	HP-1002

<b>1994 SATURN</b>			
SC1	1.9L L4 F/I	33-2113	HP-1002
SC2	1.9L L4 F/I	33-2055 ♦	HP-1002
SL	1.9L L4 F/I		HP-1002
SL1	1.9L L4 F/I	33-2113	HP-1002
SL2	1.9L L4 F/I	33-2055 ♦	HP-1002
SW1	1.9L L4 F/I	33-2113	HP-1002
SW2	1.9L L4 F/I	33-2055 ♦	HP-1002

<b>1993 SATURN</b>			
SC1	1.9L L4 F/I	33-2113	HP-1002
SC2	1.9L L4 F/I	33-2055 ♦	HP-1002
SL	1.9L L4 F/I		HP-1002
SL1	1.9L L4 F/I	33-2113	HP-1002
SL2	1.9L L4 F/I	33-2055 ♦	HP-1002
SW1	1.9L L4 F/I	33-2113	HP-1002
SW2	1.9L L4 F/I	33-2055 ♦	HP-1002

<b>1992 SATURN</b>			
SC	1.9L L4 F/I		HP-1002
SC	1.9L L4 F/I - DOHC	33-2055 ♦	HP-1002
SC	1.9L L4 F/I - SOHC	33-2113 ♦	HP-1002
SL	1.9L L4 F/I		HP-1002
SL1	1.9L L4 F/I	33-2113	HP-1002
SL2	1.9L L4 F/I	33-2055 ♦	HP-1002

<b>1991 SATURN</b>			
SC	1.9L L4 F/I		HP-1002
SC	1.9L L4 F/I - DOHC	33-2055 ♦	HP-1002
SC	1.9L L4 F/I - SOHC	33-2113 ♦	HP-1002
SL	1.9L L4 F/I		HP-1002
SL1	1.9L L4 F/I	33-2113	HP-1002
SL2	1.9L L4 F/I	33-2055 ♦	HP-1002

<b>2011 SCION</b>			
tC	2.5L L4 F/I	33-2326	HP-7020
xB	2.4L L4 F/I	33-2326 ♦	HP-1003
xD	1.8L L4 F/I	33-2360	HP-7021

<b>2010 SCION</b>			
tC	2.4L L4 F/I	33-2252 ♦	HP-1003
xB	2.4L L4 F/I	33-2326 ♦	HP-1003

Vehicle	Engine Type	Air Filter	Oil Filter
<b>2010 SCION</b>			
xD	1.8L L4 F/I	33-2360 ♦	HP-7021

<b>2009 SCION</b>			
tC	2.4L L4 F/I	33-2252 ♦	HP-1003
xB	2.4L L4 F/I	33-2326 ♦	HP-1003
xD	1.8L L4 F/I	33-2360 ♦	HP-7021

<b>2008 SCION</b>			
tC	2.4L L4 F/I	33-2252 ♦	HP-1003
xB	2.4L L4 F/I	33-2326 ♦	HP-1003
xD	1.8L L4 F/I	33-2360 ♦	HP-7021

<b>2007 SCION</b>			
tC	2.4L L4 F/I	33-2252 ♦	HP-1003
xA	1.5L L4 F/I	33-2211 ♦	HP-1003
xB	1.5L L4 F/I	33-2211 ♦	HP-1003

<b>2006 SCION</b>			
tC	2.4L L4 F/I	33-2300 ♦	HP-1003
xA	1.5L L4 F/I	33-2211 ♦	HP-1003
xB	1.5L L4 F/I	33-2211 ♦	HP-1003

<b>2005 SCION</b>			
tC	2.4L L4 F/I	33-2300 ♦	HP-1003
xA	1.5L L4 F/I	33-2211 ♦	HP-1003
xB	1.5L L4 F/I	33-2211 ♦	HP-1003

<b>2004 SCION</b>			
xA	1.5L L4 F/I	33-2211 ♦	HP-1003
xB	1.5L L4 F/I	33-2211 ♦	HP-1003

<b>2003 SCION</b>			
xA	1.5L L4 F/I	33-2211 ♦	
xB	1.5L L4 F/I	33-2211 ♦	

<b>2009 SEA DOO</b>			
150 Speedster 155HP	1494		KN-556
150 Speedster 215HP	1494		KN-556
150 Speedster 255HP	1494		KN-556
180 Challenger	1494		KN-556
215HP			
180 Challenger SE	1494		KN-556
215HP			
180 Challenger SE	1494		KN-556
255HP			
200 Speedster 430HP	1494		KN-556*
205 Utopia SE 310HP	1494		KN-556*
205 Utopia SE 430HP	1494		KN-556*
GTI 130	1494		KN-556
GTI SE 130	1494		KN-556
GTI SE 155	1494		KN-556
GTX 155	1494		KN-556
GTX 215	1494		KN-556
GTX Limited iS 255	1494		KN-556
RXP 215	1494		KN-556
RXP-X 255	1494		KN-556
RXT 215	1494		KN-556
RXT iS 255	1494		KN-556
RXT-X 255	1494		KN-556
Speedster Wake	1494		KN-556*
430HP			
Wake 155	1494		KN-556
Wake Pro 215	1494		KN-556

<b>2008 SEA DOO</b>			
150 Speedster	1494		KN-556
180 Challenger SE	1494		KN-556
200 Speedster	1494		KN-556
205 Utopia	1494		KN-556

\*Indicates 2 filters required    ♦ - Intake kit available    Applications updated daily at [knfilters.com](http://knfilters.com) ®



# AIR & OIL FILTERS

# SEA DOO

Vehicle	Engine Type	Air Filter	Oil Filter
<b>2008 SEA DOO</b>			
205 Utopia SE	1494		KN-556
230 Challenger	1494		KN-556
230 Challenger SE	1494		KN-556
230 Wake	1494		KN-556
230 Wake Eng 2	1494		KN-556
GTI 130	1494		KN-556
GTI SE 130	1494		KN-556
GTI SE 155	1494		KN-556
GTX 155	1494		KN-556
GTX 215	1494		KN-556
GTX Limited	1494		KN-556
Islandia SE	1494		KN-556
Islandia Se Eng. 2	1494		KN-556
RXP 155	1494		KN-556
RXP 215	1494		KN-556
RXP-X 255	1494		KN-556
RXT 215	1494		KN-556
RXT-X 255	1494		KN-556
Speedster Wake	1494		KN-556
Speedster Wake Eng. 2	1494		KN-556
Wake 155	1494		KN-556
Wake 215	1494		KN-556

<b>2007 SEA DOO</b>			
150 Speedster	1494		KN-556
180 Challenger	1494		KN-556
180 Challenger SE	1494		KN-556
200 Speedster	1494		KN-556
205 Utopia	1494		KN-556
205 Utopia SE	1494		KN-556
230 Challenger	1494		KN-556
230 Challenger SE	1494		KN-556
230 Wake	1494		KN-556
230 Wake Eng 2	1494		KN-556
GTI	1494		KN-556
GTI SE 130	1494		KN-556
GTX	1494		KN-556
GTX Limited	1494		KN-556
Islandia SE	1494		KN-556
Islandia Se Eng. 2	1494		KN-556
RXP 155	1494		KN-556
RXT	1494		KN-556
Speedster Wake	1494		KN-556
Speedster Wake Eng. 2	1494		KN-556
Wake 155	1494		KN-556

<b>2006 SEA DOO</b>			
180 Challenger	1494		KN-556
180 Challenger CS	1494		KN-556
200 Speedster	1494		KN-556
205 Utopia	1494		KN-556
205 Utopia SE	1494		KN-556
GTI	1494		KN-556
GTI SE	1494		KN-556
GTX	1494		KN-556
GTX Limited	1494		KN-556
GTX SC	1494		KN-556
Islandia	1494		KN-556
Islandia SE	1494		KN-556
RXP	1494		KN-556
RXT	1494		KN-556
Speedster Wake	1494		KN-556

Vehicle	Engine Type	Air Filter	Oil Filter
<b>2006 SEA DOO</b>			
Speedster Wake Eng. 2	1494		KN-556
Wake	1494		KN-556
<b>2005 SEA DOO</b>			
180 Challenger	1498		KN-556
200 Speedster	1498		KN-556
GTX	1494		KN-556
GTX Limited	1494		KN-556
GTX SC	1494		KN-556
RXP	1494		KN-556
RXT	1494		KN-556
Sportster 4-Tec 155HP	1498		KN-556
Sportster 4-Tec 215HP	1498		KN-556
Sportster SCIC 155HP	1494		KN-556
Sportster SCIC 215HP	1494		KN-556
Wake	1494		KN-556

<b>2004 SEA DOO</b>			
GTX 4-Tec	1484		KN-556
GTX 4-Tec Ltd. Supercharged	1484		KN-556
GTX 4-Tec Supercharged	1484		KN-556
GTX 4-Tec Wakeboard Edition	1484		KN-556
RXP	1484		KN-556
Sportster 4-Tec	1484		KN-556

<b>2003 SEA DOO</b>			
GTX 4-Tec	1484		KN-556
GTX 4-Tec Ltd. Supercharged	1484		KN-556
GTX 4-Tec Supercharged	1484		KN-556
GTX 4-Tec Wake	1484		KN-556

<b>2002 SEA DOO</b>			
GTX 4-Tec	1484		KN-556

<b>2011 SEAT</b>			
Alhambra II	1.4L L4 F/I	33-2865 ♦	
Alhambra II	2.0L L4 DSL	33-2865 ♦	
Alhambra II	2.0L L4 F/I	33-2865 ♦	
Altea	1.2L L4 F/I	E-2014 ♦	
Altea	1.4L L4 F/I - 125BHP	E-2014 ♦	
Altea	1.4L L4 F/I - 86BHP	33-2920 ♦	
Altea	1.6L L4 DSL	33-2865 ♦	
Altea	1.8L L4 F/I	33-2865 ♦	
Altea	2.0L L4 DSL	33-2865 ♦	
Altea	2.0L L4 F/I	33-2865 ♦	
Altea XL	1.2L L4 F/I	E-2014 ♦	
Altea XL	1.4L L4 F/I - 125BHP	E-2014 ♦	
Altea XL	1.4L L4 F/I - 86BHP	33-2920 ♦	
Altea XL	1.6L L4 DSL	33-2865 ♦	
Altea XL	1.8L L4 F/I	33-2865 ♦	
Altea XL	2.0L L4 DSL	33-2865 ♦	
Altea XL	2.0L L4 F/I	33-2865 ♦	
Exeo	1.8L L4 F/I	33-2209	
Exeo	2.0L L4 DSL	33-2209	
Exeo	2.0L L4 F/I	33-2209	
Ibiza V	1.2L L3 DSL	E-2997	
Ibiza V	1.2L L3 F/I - Exc., TSi	33-2830 ♦	
Ibiza V	1.2L L3 F/I - TSi	E-2997 ♦	
Ibiza V	1.4L L4 F/I - exc. Turbo	33-2920	

\*Indicates 2 filters required      ♦ - Intake kit available      Applications updated daily at [knfilters.com](http://knfilters.com) ®

**Partial Listing - Complete List of Vehicles and Applications at [knfilters.com](http://knfilters.com)**

## SEAT

## AIR &amp; OIL FILTERS

Vehicle	Engine Type	Air Filter	Oil Filter	Vehicle	Engine Type	Air Filter	Oil Filter
<b>2011 SEAT</b>				<b>2009 SEAT</b>			
Ibiza V	1.4L L4 F/I - Turbo	E-2997		Altea	1.6L L4 DSL	33-2865 ♦	
Ibiza V	1.6L L4 DSL	E-2997		Altea	1.6L L4 F/I	E-2014 ♦	
Ibiza V	2.0L L4 DSL	E-2997		Altea	1.8L L4 F/I	33-2865 ♦	
Leon	1.2L L4 F/I	E-2014 ♦		Altea	1.9L L4 DSL	33-2865 ♦	
Leon	1.4L L4 F/I - 125BHP	E-2014 ♦		Altea	2.0L L4 DSL	33-2865 ♦	
Leon	1.4L L4 F/I - 86BHP	33-2920 ♦		Altea	2.0L L4 F/I - 200BHP	33-2888 ♦	
Leon	1.6L L4 DSL	33-2865 ♦		Altea XL	1.4L L4 F/I - 125BHP	E-2014 ♦	
Leon	1.8L L4 F/I	33-2865 ♦		Altea XL	1.4L L4 F/I - 86BHP	33-2920 ♦	
Leon	2.0L L4 DSL	33-2865 ♦		Altea XL	1.6L L4 DSL	33-2865 ♦	
Leon	2.0L L4 F/I - Cupra R	33-2888 ♦		Altea XL	1.6L L4 F/I	E-2014 ♦	
Leon	2.0L L4 F/I - Exc. Cupra R	33-2865 ♦		Altea XL	1.8L L4 F/I	33-2865 ♦	
				Altea XL	1.9L L4 DSL	33-2865 ♦	
				Altea XL	2.0L L4 DSL	33-2865 ♦	
				Altea XL	2.0L L4 F/I - 200BHP	33-2888 ♦	
<b>2010 SEAT</b>							
Alhambra	1.8L L4 F/I	33-2203		Exeo	1.6L L4 F/I	33-2209	
Alhambra	2.0L L4 DSL	33-2203		Exeo	1.8L L4 F/I	33-2209	
Alhambra II	1.4L L4 F/I	33-2865 ♦		Exeo	2.0L L4 DSL	33-2209	
Alhambra II	2.0L L4 DSL	33-2865 ♦		Exeo	2.0L L4 F/I	33-2209	
Alhambra II	2.0L L4 F/I	33-2865 ♦		Ibiza	1.6L L4 F/I	33-2920	
Altea	1.2L L4 F/I	E-2014 ♦		Ibiza IV	1.4L L4 F/I - 85BHP	33-2920 ♦	
Altea	1.4L L4 F/I - 125BHP	E-2014 ♦		Ibiza IV	1.6L L4 F/I - 105BHP	33-2920 ♦	
Altea	1.4L L4 F/I - 86BHP	33-2920 ♦		Ibiza IV	1.9L L4 DSL	33-2830 ♦	
Altea	1.6L L4 DSL	33-2865 ♦		Ibiza V	1.2L L3 F/I	33-2830 ♦	
Altea	1.6L L4 F/I	E-2014 ♦		Ibiza V	1.4L L3 DSL	33-2830	
Altea	1.8L L4 F/I	33-2865 ♦		Ibiza V	1.4L L4 F/I - exc. Turbo	33-2920 ♦	
Altea	2.0L L4 DSL	33-2865 ♦		Ibiza V	1.4L L4 F/I - Turbo	E-2997	
Altea	2.0L L4 F/I	33-2865 ♦		Ibiza V	1.6L L4 DSL	E-2997	
Altea XL	1.2L L4 F/I	E-2014 ♦		Ibiza V	1.6L L4 F/I	33-2920 ♦	
Altea XL	1.4L L4 F/I - 125BHP	E-2014 ♦		Ibiza V	1.9L L4 DSL	33-2830	
Altea XL	1.4L L4 F/I - 86BHP	33-2920 ♦		Leon	1.4L L4 F/I - 125BHP	E-2014 ♦	
Altea XL	1.6L L4 DSL	33-2865 ♦		Leon	1.4L L4 F/I - 86BHP	33-2920 ♦	
Altea XL	1.6L L4 F/I	E-2014 ♦		Leon	1.6L L4 DSL	33-2865 ♦	
Altea XL	1.8L L4 F/I	33-2865 ♦		Leon	1.6L L4 F/I	E-2014 ♦	
Altea XL	2.0L L4 DSL	33-2865 ♦		Leon	1.8L L4 F/I	33-2865 ♦	
Altea XL	2.0L L4 F/I	33-2865 ♦		Leon	1.9L L4 DSL	33-2865 ♦	
Exeo	1.6L L4 F/I	33-2209		Leon	2.0L L4 DSL	33-2865 ♦	
Exeo	1.8L L4 F/I	33-2209		Leon	2.0L L4 F/I - From 7/09, Exc. Cupra R	33-2865 ♦	
Exeo	2.0L L4 DSL	33-2209		Leon	2.0L L4 F/I - Turbo; To 6/09, From 7/09; Cupra R	33-2888 ♦	
Exeo	2.0L L4 F/I	33-2209					
Ibiza V	1.2L L3 DSL	E-2997		Leon	1.4L L4 F/I	E-2014 ♦	
Ibiza V	1.2L L3 F/I - Exc., TSi	33-2830 ♦		Toledo III	1.6L L4 F/I	E-2014 ♦	
Ibiza V	1.2L L3 F/I - TSi	E-2997 ♦		Toledo III	1.8L L4 F/I	33-2865 ♦	
Ibiza V	1.4L L3 DSL	33-2830		Toledo III	1.9L L4 DSL	33-2865 ♦	
Ibiza V	1.4L L4 F/I - exc. Turbo	33-2920 ♦		Toledo III	2.0L L4 DSL	33-2865 ♦	
Ibiza V	1.4L L4 F/I - Turbo	E-2997 ♦		Toledo III	2.0L L4 F/I - Turbo	33-2888 ♦	
Ibiza V	1.6L L4 DSL	E-2997					
Ibiza V	1.6L L4 F/I	33-2920 ♦		<b>2008 SEAT</b>			
Ibiza V	2.0L L4 DSL	E-2997		Alhambra	1.8L L4 F/I	33-2203	
Leon	1.2L L4 F/I	E-2014 ♦		Alhambra	1.9L L4 DSL	33-2203	
Leon	1.4L L4 F/I - 125BHP	E-2014 ♦		Alhambra	2.0L L4 DSL	33-2203	
Leon	1.4L L4 F/I - 86BHP	33-2920 ♦		Alhambra	2.0L L4 F/I	33-2203	
Leon	1.6L L4 DSL	33-2865 ♦		Alhambra	2.8L V6 F/I	33-2203	
Leon	1.6L L4 F/I	E-2014 ♦		Altea	1.4L L4 F/I - 125BHP	E-2014 ♦	
Leon	1.8L L4 F/I	33-2865 ♦		Altea	1.4L L4 F/I - 86BHP	33-2920 ♦	
Leon	2.0L L4 DSL	33-2865 ♦		Altea	1.6L L4 F/I	E-2014 ♦	
Leon	2.0L L4 F/I - Cupra R	33-2888 ♦		Altea	1.8L L4 F/I	33-2865 ♦	
Leon	2.0L L4 F/I - Exc. Cupra R	33-2865 ♦		Altea	1.9L L4 DSL	33-2865 ♦	
				Altea	2.0L L4 DSL	33-2865 ♦	
				Altea	2.0L L4 F/I - 200BHP	33-2888 ♦	
				Altea XL	1.4L L4 F/I - 125BHP	E-2014 ♦	
				Altea XL	1.4L L4 F/I - 86BHP	33-2920 ♦	
				Altea XL	1.6L L4 F/I	E-2014 ♦	
				Altea XL	1.8L L4 F/I	33-2865 ♦	
				Altea XL	1.9L L4 DSL	33-2865 ♦	
				Altea XL	2.0L L4 DSL	33-2865 ♦	
				Altea XL	2.0L L4 F/I - 200BHP	33-2888 ♦	
				Altea XL	1.4L L4 F/I - 125BHP	E-2014 ♦	
				Altea XL	1.4L L4 F/I - 86BHP	33-2920 ♦	
				Altea XL	1.6L L4 F/I	E-2014 ♦	
				Altea XL	1.8L L4 F/I	33-2865 ♦	

\*Indicates 2 filters required

♦ - Intake kit available

Applications updated daily at [knfilters.com](http://knfilters.com) ®

# AIR & OIL FILTERS

# SEAT

Vehicle	Engine Type	Air Filter	Oil Filter	Vehicle	Engine Type	Air Filter	Oil Filter
<b>2008 SEAT</b>				<b>2007 SEAT</b>			
Altea XL	1.9L L4 DSL	33-2865 ♦		Cordoba	1.2L L3 F/I	33-2850	
Altea XL	2.0L L4 DSL	33-2865 ♦		Cordoba	1.4L L4 DSL	33-2830	
Altea XL	2.0L L4 F/I - 200BHP	33-2888 ♦		Cordoba	1.4L L4 F/I - 86BHP	33-2920	
Cordoba	1.2L L3 F/I	33-2850		Cordoba	1.4L L4 F/I - Exc., 86BHP	33-2221	
Cordoba	1.4L L4 DSL	33-2830		Cordoba	1.6L L4 F/I - 105BHP	33-2920	
Cordoba	1.4L L4 F/I - 86BHP	33-2920		Cordoba	1.9L L4 DSL	33-2830	
Cordoba	1.4L L4 F/I - Exc., 86BHP	33-2221		Cordoba	2.0L L4 F/I	33-2830	
Cordoba	1.6L L4 F/I - 105BHP	33-2920		Ibiza	1.8L L4 F/I	33-2830	
Cordoba	1.9L L4 DSL	33-2830		Ibiza	2.0L L4 F/I	33-2830	
Ibiza	1.8L L4 F/I	33-2830		Ibiza IV	1.2L L3 F/I - 12v	33-2850 ♦	
Ibiza IV	1.2L L3 F/I - 12v	33-2850 ♦		Ibiza IV	1.2L L3 F/I - 6v	33-2830 ♦	
Ibiza IV	1.2L L3 F/I - 6v	33-2830 ♦		Ibiza IV	1.4L L3 DSL	33-2830	
Ibiza IV	1.4L L3 DSL	33-2830		Ibiza IV	1.4L L4 F/I - 75/100BHP	33-2221 ♦	
Ibiza IV	1.4L L4 F/I - 75/100BHP	33-2221 ♦		Ibiza IV	1.4L L4 F/I - 85BHP	33-2920 ♦	
Ibiza IV	1.4L L4 F/I - 85BHP	33-2920 ♦		Ibiza IV	1.6L L4 F/I - 105BHP	33-2920 ♦	
Ibiza IV	1.6L L4 F/I - 105BHP	33-2920 ♦		Ibiza IV	1.8L L4 F/I	33-2830 ♦	
Ibiza IV	1.8L L4 F/I	33-2830		Ibiza IV	1.9L L4 DSL	33-2830 ♦	
Ibiza IV	1.9L L4 DSL	33-2830 ♦		Ibiza IV	2.0L L4 F/I	33-2830	
Ibiza V	1.2L L3 F/I	33-2830 ♦		Leon	1.4L L4 F/I - 125BHP	E-2014 ♦	
Ibiza V	1.4L L3 DSL	33-2830		Leon	1.4L L4 F/I - 86BHP	33-2920 ♦	
Ibiza V	1.4L L4 F/I	33-2920 ♦		Leon	1.6L L4 F/I	E-2014 ♦	
Ibiza V	1.6L L4 F/I	33-2920 ♦		Leon	1.8L L4 F/I	33-2865 ♦	
Ibiza V	1.9L L4 DSL	33-2830		Leon	1.9L L4 DSL	33-2865 ♦	
Ibiza V	2.0L L4 F/I	33-2830		Leon	2.0L L4 DSL	33-2865 ♦	
Leon	1.4L L4 F/I - 125BHP	E-2014 ♦		Leon	2.0L L4 F/I		HP-7010
Leon	1.4L L4 F/I - 86BHP	33-2920 ♦		Leon	2.0L L4 F/I - 150BHP	E-2014 ♦	HP-7010
Leon	1.6L L4 F/I	E-2014 ♦		Leon	2.0L L4 F/I - Exc., 150BHP	33-2888 ♦	HP-7010
Leon	1.8L L4 F/I	33-2865 ♦		Toledo III	1.4L L4 F/I	E-2014	
Leon	1.9L L4 DSL	33-2865 ♦		Toledo III	1.6L L4 F/I	E-2014 ♦	
Leon	2.0L L4 DSL	33-2865 ♦		Toledo III	1.8L L4 F/I	33-2865 ♦	
Leon	2.0L L4 F/I - Exc., 150BHP	33-2888 ♦		Toledo III	1.9L L4 DSL	33-2865 ♦	
Toledo III	1.4L L4 F/I	E-2014 ♦		Toledo III	2.0L L4 DSL	33-2865 ♦	
Toledo III	1.6L L4 F/I	E-2014 ♦		Toledo III	2.0L L4 F/I		HP-7010
Toledo III	1.8L L4 F/I	33-2865 ♦		Toledo III	2.0L L4 F/I - exc. Turbo	E-2014 ♦	HP-7010
Toledo III	1.9L L4 DSL	33-2865 ♦		Toledo III	2.0L L4 F/I - Turbo	33-2888 ♦	HP-7010
Toledo III	2.0L L4 DSL	33-2865 ♦		<b>2006 SEAT</b>			
Toledo III	2.0L L4 F/I - exc. Turbo	E-2014 ♦		Alhambra	1.8L L4 F/I	33-2203	
Toledo III	2.0L L4 F/I - Turbo	33-2888 ♦		Alhambra	1.9L L4 DSL	33-2203	
<b>2007 SEAT</b>				Alhambra	2.0L L4 DSL	33-2203	
Alhambra	1.8L L4 F/I	33-2203		Alhambra	2.0L L4 F/I	33-2203	
Alhambra	1.9L L4 DSL	33-2203		Alhambra	2.8L V6 F/I	33-2203	
Alhambra	2.0L L4 DSL	33-2203		Altea	1.4L L4 F/I	33-2920 ♦	
Alhambra	2.0L L4 F/I	33-2203		Altea	1.6L L4 F/I	E-2014 ♦	
Alhambra	2.8L V6 F/I	33-2203		Altea	1.8L L4 F/I	33-2865 ♦	
Altea	1.4L L4 F/I - 125BHP	E-2014 ♦		Altea	1.9L L4 DSL	33-2865 ♦	
Altea	1.4L L4 F/I - 86BHP	33-2920 ♦		Altea	2.0L L4 DSL	33-2865 ♦	
Altea	1.6L L4 F/I	E-2014 ♦		Altea	2.0L L4 F/I		HP-7010
Altea	1.8L L4 F/I	33-2865 ♦		Altea	2.0L L4 F/I - 150BHP	E-2014 ♦	HP-7010
Altea	1.9L L4 DSL	33-2865 ♦		Altea	2.0L L4 F/I - 200BHP	33-2888 ♦	HP-7010
Altea	2.0L L4 DSL	33-2865 ♦		Altea XL	1.4L L4 F/I	33-2920 ♦	
Altea	2.0L L4 F/I		HP-7010	Altea XL	1.6L L4 F/I	E-2014 ♦	
Altea	2.0L L4 F/I - 150BHP	E-2014 ♦	HP-7010	Altea XL	1.8L L4 F/I	33-2865 ♦	
Altea	2.0L L4 F/I - 200BHP	33-2888 ♦	HP-7010	Altea XL	1.9L L4 DSL	33-2865 ♦	
Altea XL	1.4L L4 F/I - 125BHP	E-2014 ♦		Altea XL	2.0L L4 DSL	33-2865 ♦	
Altea XL	1.4L L4 F/I - 86BHP	33-2920 ♦		Altea XL	2.0L L4 F/I		HP-7010
Altea XL	1.6L L4 F/I	E-2014 ♦		Altea XL	2.0L L4 F/I - 150BHP	E-2014 ♦	HP-7010
Altea XL	1.8L L4 F/I	33-2865 ♦		Altea XL	2.0L L4 F/I - 200BHP	33-2888 ♦	HP-7010
Altea XL	1.9L L4 DSL	33-2865 ♦		Cordoba	1.2L L3 F/I	33-2850	
Altea XL	1.9L L4 DSL	33-2865 ♦		Cordoba	1.4L L4 DSL	33-2830	
Altea XL	2.0L L4 DSL	33-2865 ♦		Cordoba	1.4L L4 F/I - 86BHP	33-2920	
Altea XL	2.0L L4 F/I		HP-7010	Cordoba	1.4L L4 F/I - Exc., 86BHP	33-2221	
Altea XL	2.0L L4 F/I - 150BHP	E-2014 ♦	HP-7010				
Altea XL	2.0L L4 F/I - 200BHP	33-2888 ♦	HP-7010				

\*Indicates 2 filters required

♦ - Intake kit available

Applications updated daily at [knfilters.com](http://knfilters.com) ®

Partial Listing - Complete List of Vehicles and Applications at [knfilters.com](http://knfilters.com)

## SEAT

## AIR &amp; OIL FILTERS

Vehicle	Engine Type	Air Filter	Oil Filter	Vehicle	Engine Type	Air Filter	Oil Filter
<b>2006 SEAT</b>				<b>2005 SEAT</b>			
Cordoba	1.6L L4 F/I - 105BHP	33-2920		Leon	2.0L L4 F/I - 150BHP	E-2014 ♦	HP-7010
Cordoba	1.9L L4 DSL	33-2830		Leon	2.0L L4 F/I - Exc., 150BHP	33-2888 ♦	HP-7010
Cordoba	2.0L L4 F/I	33-2830		Leon	2.8L V6 F/I	33-2128 ♦	
Ibiza	1.8L L4 F/I	33-2830		Toledo	1.8L L4 F/I	33-2128	
Ibiza IV	1.2L L3 F/I - 12v	33-2850 ♦		Toledo II	1.4L L4 F/I	33-2221 ♦	
Ibiza IV	1.2L L3 F/I - 6v	33-2830 ♦		Toledo II	1.8L L4 F/I	33-2128 ♦	
Ibiza IV	1.4L L3 DSL	33-2830		Toledo III	1.6L L4 F/I	E-2014 ♦	
Ibiza IV	1.4L L4 F/I - 75/100BHP	33-2221 ♦		Toledo III	1.9L L4 DSL	33-2865 ♦	
Ibiza IV	1.4L L4 F/I - 85BHP	33-2920 ♦		Toledo III	2.0L L4 DSL	33-2865 ♦	
Ibiza IV	1.6L L4 F/I - 101BHP	33-2774 ♦		Toledo III	2.0L L4 F/I		HP-7010
Ibiza IV	1.6L L4 F/I - 105BHP	33-2920 ♦		Toledo III	2.0L L4 F/I - exc. Turbo	E-2014 ♦	HP-7010
Ibiza IV	1.8L L4 F/I	33-2830 ♦					
Ibiza IV	1.9L L4 DSL	33-2830 ♦		<b>2004 SEAT</b>			
Leon	1.4L L4 F/I - 125BHP	E-2014 ♦		Alhambra	1.8L L4 F/I	33-2203	
Leon	1.4L L4 F/I - 86BHP	33-2920 ♦		Alhambra	1.9L L4 DSL	33-2203	
Leon	1.6L L4 F/I	E-2014 ♦		Alhambra	2.0L L4 F/I	33-2203	
Leon	1.9L L4 DSL	33-2865 ♦		Alhambra	2.8L V6 F/I	33-2203	
Leon	2.0L L4 DSL	33-2865 ♦		Altea	1.6L L4 F/I	E-2014 ♦	
Leon	2.0L L4 F/I		HP-7010	Altea	1.9L L4 DSL	33-2865 ♦	
Leon	2.0L L4 F/I - 150BHP	E-2014 ♦	HP-7010	Altea	2.0L L4 DSL	33-2865 ♦	
Leon	2.0L L4 F/I - Exc., 150BHP	33-2888 ♦	HP-7010	Altea	2.0L L4 F/I	E-2014 ♦	HP-7010
Toledo	2.0L L4 F/I		HP-7010	Arosa	1.4L L4 DSL	E-2864	
Toledo	2.0L L4 F/I - exc. Turbo	E-2014	HP-7010	Arosa	1.4L L4 F/I - 100BHP	33-2774 ♦	
Toledo III	1.6L L4 F/I	E-2014 ♦		Cordoba	1.2L L3 F/I	33-2850	
Toledo III	1.9L L4 DSL	33-2865 ♦		Cordoba	1.4L L4 DSL	33-2830	
Toledo III	2.0L L4 DSL	33-2865 ♦		Cordoba	1.4L L4 F/I	33-2221	
Toledo III	2.0L L4 F/I		HP-7010	Cordoba	1.9L L4 DSL	33-2830	
Toledo III	2.0L L4 F/I - exc. Turbo	E-2014 ♦	HP-7010	Cordoba	2.0L L4 F/I	33-2830	
Toledo III	2.0L L4 F/I - Turbo	33-2888 ♦	HP-7010	Ibiza	2.0L L4 F/I	33-2830	
				Ibiza IV	1.2L L3 F/I - 12v	33-2850 ♦	
				Ibiza IV	1.2L L3 F/I - 6v	33-2830 ♦	
				Ibiza IV	1.4L L3 DSL	33-2830	
				Ibiza IV	1.4L L4 F/I	33-2221 ♦	
				Ibiza IV	1.6L L4 F/I	33-2774	
				Ibiza IV	1.8L L4 F/I	33-2830 ♦	
				Ibiza IV	1.9L L4 DSL	33-2830 ♦	
				Ibiza IV	2.0L L4 F/I	33-2830 ♦	
				Inca	1.4L L4 F/I	33-2774	
				Inca	1.9L L4 DSL	33-2172	
				Leon	1.4L L4 F/I	33-2221 ♦	
				Leon	1.6L L4 F/I - 100/102BHP	33-2128 ♦	
				Leon	1.6L L4 F/I - 105BHP	33-2221 ♦	
				Leon	1.8L L4 F/I	33-2128 ♦	
				Leon	1.9L L4 DSL	33-2128 ♦	
				Leon	2.8L V6 F/I	33-2128 ♦	
				Toledo	1.8L L4 F/I	33-2128	
				Toledo II	1.4L L4 F/I	33-2221 ♦	
				Toledo II	1.8L L4 F/I	33-2128 ♦	
				Toledo II	1.9L L4 DSL	33-2128	
				Toledo II	2.3L V5 F/I	33-2128	
				Toledo III	1.6L L4 F/I	E-2014 ♦	
				Toledo III	1.9L L4 DSL	33-2865 ♦	
				Toledo III	2.0L L4 DSL	33-2865 ♦	
				Toledo III	2.0L L4 F/I		HP-7010
				Toledo III	2.0L L4 F/I - exc. Turbo	E-2014 ♦	HP-7010
				<b>2003 SEAT</b>			
				Alhambra	1.8L L4 F/I	33-2203	
				Alhambra	1.9L L4 DSL	33-2203	
				Alhambra	2.0L L4 F/I	33-2203	
				Alhambra	2.8L V6 F/I	33-2203	
				Arosa	1.0L L4 F/I - ALD/ANV	33-2159*	
				Arosa	1.4L L4 DSL	E-2864	
				Arosa	1.4L L4 F/I - 100BHP	33-2774 ♦	

\*Indicates 2 filters required

♦ - Intake kit available

Applications updated daily at [knfilters.com](http://knfilters.com) ®

# AIR & OIL FILTERS

# SEAT

Vehicle	Engine Type	Air Filter	Oil Filter	Vehicle	Engine Type	Air Filter	Oil Filter
<b>2003 SEAT</b>				<b>2002 SEAT</b>			
Arosa	1.7L L4 DSL	E-2658		Leon	1.4L L4 F/I	33-2221 ♦	
Cordoba	1.2L L3 F/I	33-2850		Leon	1.6L L4 F/I - 100/102BHP	33-2128 ♦	
Cordoba	1.4L L4 DSL	33-2830		Leon	1.6L L4 F/I - 105BHP	33-2221 ♦	
Cordoba	1.4L L4 F/I	33-2221		Leon	1.8L L4 F/I	33-2128 ♦	
Cordoba	1.9L L4 DSL	33-2830		Leon	1.9L L4 DSL	33-2128 ♦	
Cordoba	2.0L L4 F/I	33-2830		Leon	2.3L V5 F/I	33-2128	
Ibiza	2.0L L4 F/I	33-2830		Leon	2.8L V6 F/I	33-2128 ♦	
Ibiza IV	1.2L L3 F/I - 12v	33-2850 ♦		Toledo	1.8L L4 F/I	33-2128	
Ibiza IV	1.2L L3 F/I - 6v	33-2830 ♦		Toledo II	1.4L L4 F/I	33-2221 ♦	
Ibiza IV	1.4L L3 DSL	33-2830		Toledo II	1.6L L4 F/I - 105BHP	33-2221 ♦	
Ibiza IV	1.4L L4 F/I	33-2221 ♦		Toledo II	1.8L L4 F/I	33-2128 ♦	
Ibiza IV	1.6L L4 F/I	33-2774		Toledo II	1.9L L4 DSL	33-2128	
Ibiza IV	1.8L L4 F/I	33-2830 ♦		Toledo II	2.3L V5 F/I	33-2128	
Ibiza IV	1.9L L4 DSL	33-2830 ♦		<b>2001 SEAT</b>			
Ibiza IV	2.0L L4 F/I	33-2830 ♦		Alhambra	1.8L L4 F/I	33-2203	
Inca	1.4L L4 F/I	33-2774		Alhambra	1.9L L4 DSL	33-2203	
Inca	1.9L L4 DSL	33-2172		Alhambra	2.0L L4 F/I	33-2203	
Leon	1.4L L4 F/I	33-2221 ♦		Alhambra	2.8L V6 F/I	33-2203	
Leon	1.6L L4 F/I - 100/102BHP	33-2128 ♦		Arosa	1.0L L4 F/I - ALD/ANV	33-2159*	
Leon	1.6L L4 F/I - 105BHP	33-2221 ♦		Arosa	1.0L L4 F/I - ALL/AER/AHT	E-2428	
Leon	1.8L L4 F/I	33-2128 ♦		Arosa	1.4L L4 DSL	E-2864	
Leon	1.9L L4 DSL	33-2128 ♦		Arosa	1.4L L4 F/I - 100BHP	33-2774 ♦	
Leon	2.3L V5 F/I	33-2128		Arosa	1.7L L4 DSL	E-2658	
Leon	2.8L V6 F/I	33-2128 ♦		Cordoba	1.4L L4 F/I - 16v	33-2774	
Toledo	1.8L L4 F/I	33-2128		Cordoba	1.4L L4 F/I - 60BHP	33-2159*	
Toledo II	1.4L L4 F/I	33-2221 ♦		Cordoba	1.6L L4 F/I	33-2172	
Toledo II	1.6L L4 F/I - 105BHP	33-2221 ♦		Cordoba	1.8L L4 F/I	33-2172 ♦	
Toledo II	1.8L L4 F/I	33-2128 ♦		Cordoba	1.9L L4 DSL	33-2172	
Toledo II	1.9L L4 DSL	33-2128		Cordoba	1.0L L4 F/I	33-2159*	
Toledo II	2.3L V5 F/I	33-2128		Ibiza II	1.0L L4 F/I	33-2159*	
<b>2002 SEAT</b>				Ibiza III	1.4L L4 F/I - 60BHP	33-2159*	
Alhambra	1.8L L4 F/I	33-2203		Ibiza III	1.4L L4 F/I - Exc., 60BHP	33-2774	
Alhambra	1.9L L4 DSL	33-2203		Ibiza III	1.6L L4 F/I	33-2172 ♦	
Alhambra	2.0L L4 F/I	33-2203		Ibiza III	1.8L L4 F/I	33-2172 ♦	
Alhambra	2.8L V6 F/I	33-2203		Ibiza III	1.9L L4 DSL	33-2172 ♦	
Arosa	1.0L L4 F/I - ALD/ANV	33-2159*		Inca	1.4L L4 F/I	33-2774	
Arosa	1.4L L4 DSL	E-2864		Inca	1.6L L4 F/I	33-2649	
Arosa	1.4L L4 F/I - 100BHP	33-2774 ♦		Inca	1.9L L4 DSL	33-2649	
Arosa	1.7L L4 DSL	E-2658		Leon	1.4L L4 F/I	33-2221 ♦	
Cordoba	1.2L L3 F/I	33-2850		Leon	1.6L L4 F/I - 100/102BHP	33-2128 ♦	
Cordoba	1.4L L4 DSL	33-2830		Leon	1.6L L4 F/I - 105BHP, from 5/01	33-2221 ♦	
Cordoba	1.4L L4 F/I - 16v	33-2774		Leon	1.6L L4 F/I - 105BHP, to 4/01	33-2774 ♦	
Cordoba	1.4L L4 F/I - 60BHP	33-2159*		Leon	1.8L L4 F/I	33-2128 ♦	
Cordoba	1.4L L4 F/I - 86BHP	33-2221		Leon	1.9L L4 DSL	33-2128 ♦	
Cordoba	1.6L L4 F/I	33-2172		Leon	2.3L V5 F/I	33-2128	
Cordoba	1.8L L4 F/I	33-2172 ♦		Leon	2.8L V6 F/I	33-2128 ♦	
Cordoba	1.9L L4 DSL - from 10/02	33-2830		Toledo II	1.4L L4 F/I	33-2221 ♦	
Cordoba	1.9L L4 DSL - to 9/02	33-2172		Toledo II	1.6L L4 F/I - 105BHP, from 5/01	33-2221 ♦	
Cordoba	2.0L L4 F/I	33-2830		Toledo II	1.6L L4 F/I - 105BHP, to 4/01	33-2774 ♦	
Ibiza II	1.0L L4 F/I	33-2159*		Toledo II	1.8L L4 F/I	33-2128 ♦	
Ibiza III	1.4L L4 F/I - 60BHP	33-2159*		Toledo II	1.9L L4 DSL	33-2128	
Ibiza III	1.4L L4 F/I - Exc., 60BHP	33-2774		Toledo II	2.3L V5 F/I	33-2128	
Ibiza III	1.6L L4 F/I	33-2172 ♦		<b>2000 SEAT</b>			
Ibiza III	1.8L L4 F/I	33-2172 ♦		Alhambra	1.8L L4 F/I - from 7/00	33-2203	
Ibiza III	1.9L L4 DSL	33-2172 ♦		Alhambra	1.8L L4 F/I - to 6/00	33-2749	
Ibiza IV	1.2L L3 F/I - 12v	33-2850 ♦		Alhambra	1.9L L4 DSL - from 7/00	33-2203	
Ibiza IV	1.2L L3 F/I - 6v	33-2830 ♦		Alhambra	1.9L L4 DSL - to 6/00	33-2749	
Ibiza IV	1.4L L3 DSL	33-2830		Alhambra	2.0L L4 F/I - from 7/00	33-2203	
Ibiza IV	1.4L L4 F/I	33-2221 ♦		Alhambra	2.0L L4 F/I - to 6/00	33-2749	
Ibiza IV	1.9L L4 DSL	33-2830 ♦					
Inca	1.4L L4 F/I	33-2774					
Inca	1.9L L4 DSL	33-2172					

\*Indicates 2 filters required      ♦ - Intake kit available      Applications updated daily at [knfilters.com](http://knfilters.com) ®

Partial Listing - Complete List of Vehicles and Applications at [knfilters.com](http://knfilters.com)

## SEAT

## AIR &amp; OIL FILTERS

Vehicle	Engine Type	Air Filter	Oil Filter	Vehicle	Engine Type	Air Filter	Oil Filter
<b>2000 SEAT</b>				<b>1999 SEAT</b>			
Alhambra	2.8L V6 F/I - from 7/00	33-2203		Ibiza II	1.4L L4 F/I - 101BHP	33-2774	
Alhambra	2.8L V6 F/I - to 6/00	33-2128		Ibiza II	1.4L L4 F/I - 60BHP	E-1210	
Arosa	1.0L L4 F/I - ALD/ANV	33-2159*		Ibiza II	1.6L L4 F/I - 101BHP	33-2649	
Arosa	1.0L L4 F/I - ALL/AER/AHT	E-2428		Ibiza II	1.6L L4 F/I - 75BHP	E-1210	
Arosa	1.4L L4 DSL	E-2864		Ibiza II	1.7L L4 DSL	33-2649	
Arosa	1.4L L4 F/I - 100BHP	33-2774 ♦		Ibiza II	1.8L L4 F/I	33-2649	
Arosa	1.7L L4 DSL	E-2658		Ibiza II	1.9L L4 DSL	33-2172	
Cordoba	1.4L L4 F/I - 16v	33-2774		Ibiza III	1.0L L4 F/I	33-2159*	
Cordoba	1.4L L4 F/I - 60BHP	33-2159*		Ibiza III	1.4L L4 F/I - 60BHP	33-2159*	
Cordoba	1.6L L4 F/I	33-2172 ♦		Ibiza III	1.4L L4 F/I - Exc., 60BHP	33-2774	
Cordoba	1.8L L4 F/I	33-2172 ♦		Ibiza III	1.6L L4 F/I	33-2172 ♦	
Cordoba	1.9L L4 DSL	33-2172		Ibiza III	1.8L L4 F/I	33-2172 ♦	
Ibiza II	1.0L L4 F/I	33-2159*		Ibiza III	1.9L L4 DSL	33-2172 ♦	
Ibiza III	1.4L L4 F/I - 60BHP	33-2159*		Inca	1.4L L4 F/I	E-1210	
Ibiza III	1.4L L4 F/I - Exc., 60BHP	33-2774		Inca	1.6L L4 F/I	33-2649	
Ibiza III	1.6L L4 F/I	33-2172 ♦		Inca	1.9L L4 DSL	33-2649	
Ibiza III	1.8L L4 F/I	33-2172 ♦		Leon	1.4L L4 F/I	33-2221 ♦	
Ibiza III	1.9L L4 DSL	33-2172 ♦		Leon	1.6L L4 F/I - 100/102BHP	33-2128 ♦	
Inca	1.4L L4 F/I - 60BHP	E-1210		Leon	1.8L L4 F/I	33-2128 ♦	
Inca	1.4L L4 F/I - 75BHP	33-2774		Leon	1.9L L4 DSL	33-2128	
Inca	1.6L L4 F/I	33-2649		Leon	2.3L V5 F/I	33-2128	
Inca	1.9L L4 DSL	33-2649		Toledo I	1.6L L4 F/I	33-2649	
Leon	1.4L L4 F/I	33-2221 ♦		Toledo I	1.8L L4 F/I	33-2649	
Leon	1.6L L4 F/I - 100/102BHP	33-2128 ♦		Toledo I	1.9L L4 DSL	33-2649	
Leon	1.6L L4 F/I - 105BHP	33-2774 ♦		Toledo I	2.0L L4 F/I	33-2649	
Leon	1.8L L4 F/I	33-2128 ♦		Toledo II	1.4L L4 F/I	33-2221 ♦	
Leon	1.9L L4 DSL	33-2128 ♦		Toledo II	1.6L L4 F/I	33-2128	
Leon	2.3L V5 F/I	33-2128		Toledo II	1.8L L4 F/I	33-2128 ♦	
Toledo II	1.4L L4 F/I	33-2221 ♦		Toledo II	1.9L L4 DSL	33-2128	
Toledo II	1.6L L4 F/I - 100BHP	33-2128 ♦		Toledo II	2.3L V5 F/I	33-2128 ♦	
Toledo II	1.6L L4 F/I - 105BHP	33-2774 ♦		<b>1998 SEAT</b>			
Toledo II	1.8L L4 F/I	33-2128 ♦		Alhambra	1.8L L4 F/I	33-2749	
Toledo II	1.9L L4 DSL	33-2128		Alhambra	1.9L L4 DSL	33-2749	
Toledo II	2.3L V5 F/I	33-2128 ♦		Alhambra	2.0L L4 F/I	33-2749	
<b>1999 SEAT</b>				Arosa	1.0L L4 F/I - ALL/AER/AHT	E-2428	
Alhambra	1.8L L4 F/I	33-2749		Arosa	1.0L L4 F/I - w/Round Filter	E-1210	
Alhambra	1.9L L4 DSL	33-2749		Arosa	1.4L L4 F/I	E-1210 ♦	
Alhambra	2.0L L4 F/I	33-2749		Arosa	1.7L L4 DSL	E-2658	
Arosa	1.0L L4 F/I - ALD/ANV	33-2159*		Cordoba	1.4L L4 F/I - 16v	33-2774	
Arosa	1.0L L4 F/I - ALL/AER/AHT	E-2428		Cordoba	1.4L L4 F/I - 8v	E-1210	
Arosa	1.0L L4 F/I - w/Round Filter	E-1210		Cordoba	1.6L L4 F/I - 75BHP, w/Panel Filter, 101BHP	33-2649 ♦	
Arosa	1.4L L4 F/I - 100BHP	33-2774 ♦		Cordoba	1.6L L4 F/I - 75BHP, w/Round Filter	E-1210 ♦	
Arosa	1.4L L4 F/I - 60BHP	E-1210 ♦		Cordoba	1.8L L4 F/I	33-2649	
Arosa	1.7L L4 DSL	E-2658		Cordoba	1.9L L4 DSL	33-2649	
Cordoba	1.4L L4 F/I - 16v	33-2774		Cordoba	2.0L L4 F/I	33-2649	
Cordoba	1.4L L4 F/I - 60BHP	33-2159*		Ibiza	2.0L L4 F/I	33-2649 ♦	
Cordoba	1.4L L4 F/I - 8v	E-1210		Ibiza	2.0L L4 F/I - GTi, 16v, Cupra Sport	33-2069 ♦	
Cordoba	1.6L L4 F/I - 75BHP, w/Panel Filter, 101BHP	33-2649 ♦		Ibiza Cupra	2.0L L4 F/I - 150BHP	33-2839	
Cordoba	1.6L L4 F/I - 75BHP, w/Round Filter	E-1210 ♦		Ibiza II	1.4L L4 F/I - 101BHP	33-2774	
Cordoba	1.6L L4 F/I - Exc., 75/101BHP	33-2172 ♦		Ibiza II	1.4L L4 F/I - 60BHP	E-1210	
Cordoba	1.8L L4 F/I - 156BHP	33-2172 ♦		Ibiza II	1.6L L4 F/I - 101BHP	33-2649	
Cordoba	1.8L L4 F/I - Exc., 156BHP	33-2649 ♦		Ibiza II	1.6L L4 F/I - 75BHP	E-1210	
Cordoba	1.9L L4 DSL	33-2172		Ibiza II	1.7L L4 DSL	33-2649	
Cordoba		33-2649		Ibiza II	1.8L L4 F/I	33-2649	
Cordoba	2.0L L4 F/I	33-2649		Ibiza II	1.9L L4 DSL	33-2172	
Ibiza	2.0L L4 F/I - to 8/99	33-2649 ♦		Inca	1.4L L4 F/I	E-1210	
Ibiza Cupra	2.0L L4 F/I - 150BHP	33-2839 ♦		Inca	1.6L L4 F/I	33-2649	
Ibiza Cupra	2.0L L4 F/I - GTi, 16v, Cupra Sport	33-2069 ♦		Inca	1.9L L4 DSL	33-2649	
				Marbella	0.9L L4 CARB	E-1210	

\*Indicates 2 filters required

♦ - Intake kit available

Applications updated daily at [knfilters.com](http://knfilters.com) ®

# AIR & OIL FILTERS

# SEAT

Vehicle	Engine Type	Air Filter	Oil Filter	Vehicle	Engine Type	Air Filter	Oil Filter
<b>1998 SEAT</b>				<b>1996 SEAT</b>			
Toledo I	1.6L L4 F/I	33-2649		Toledo I	1.6L L4 F/I	33-2649	
Toledo I	1.8L L4 F/I	33-2649		Toledo I	1.8L L4 F/I	33-2649	
Toledo I	1.9L L4 DSL	33-2649		Toledo I	1.9L L4 DSL	33-2649	
Toledo I	2.0L L4 F/I	33-2649		Toledo I	2.0L L4 F/I	33-2649	
<b>1997 SEAT</b>				<b>1995 SEAT</b>			
Alhambra	1.8L L4 F/I	33-2749		Cordoba	1.4L L4 F/I	E-1210	
Alhambra	1.9L L4 DSL	33-2749		Cordoba	1.6L L4 F/I	E-1210 ♦	
Alhambra	2.0L L4 F/I	33-2749		Cordoba	1.8L L4 F/I	33-2649	
Arosa	1.0L L4 F/I - ALL/AER/AHT	E-2428		Cordoba	1.9L L4 DSL	33-2649	
Arosa	1.0L L4 F/I - w/Round Filter	E-1210		Cordoba	2.0L L4 F/I	33-2649	
Arosa	1.4L L4 F/I	E-1210 ♦		Ibiza II	1.0L L4 F/I	E-1210	
Cordoba	1.4L L4 F/I - 16v	33-2774		Ibiza II	1.4L L4 F/I	E-1210	
Cordoba	1.4L L4 F/I - 8v	E-1210		Ibiza II	1.6L L4 F/I	E-1210	
Cordoba	1.6L L4 F/I - 75BHP, w/Panel Filter, 101BHP	33-2649 ♦		Ibiza II	1.8L L4 F/I	33-2649	
Cordoba	1.6L L4 F/I - 75BHP, w/Round Filter	E-1210 ♦		Ibiza II	1.9L L4 DSL	33-2649	
Cordoba	1.8L L4 F/I	33-2649		Ibiza II	2.0L L4 F/I	33-2649 ♦	
Cordoba	1.9L L4 DSL	33-2649		Marbella	0.9L L4 CARB	E-2640	
Cordoba	2.0L L4 F/I	33-2649		Toledo I	1.6L L4 F/I	33-2649	
Ibiza	2.0L L4 F/I	33-2649 ♦		Toledo I	1.8L L4 F/I	33-2649	
Ibiza	2.0L L4 F/I - GTi, 16v, Cupra Sport	33-2069 ♦		Toledo I	1.9L L4 DSL	33-2649	
Ibiza Cupra	2.0L L4 F/I - 150BHP	33-2839		Toledo I	2.0L L4 F/I	33-2649	
Ibiza II	1.4L L4 F/I - 101BHP	33-2774		<b>1994 SEAT</b>			
Ibiza II	1.4L L4 F/I - 60BHP	E-1210		Cordoba	1.4L L4 F/I	E-1210	
Ibiza II	1.6L L4 F/I - 101BHP	33-2649		Cordoba	1.6L L4 F/I	E-1210 ♦	
Ibiza II	1.6L L4 F/I - 75BHP	E-1210		Cordoba	1.8L L4 F/I	33-2649	
Ibiza II	1.7L L4 DSL	33-2649		Cordoba	1.9L L4 DSL	33-2649	
Ibiza II	1.8L L4 F/I	33-2649		Cordoba	2.0L L4 F/I	33-2649	
Ibiza II	1.9L L4 DSL	33-2649		Ibiza II	1.0L L4 F/I	E-1210	
Inca	1.4L L4 F/I	E-1210		Ibiza II	1.4L L4 F/I	E-1210	
Inca	1.6L L4 F/I	33-2649		Ibiza II	1.6L L4 F/I	E-1210	
Inca	1.9L L4 DSL	33-2649		Ibiza II	1.8L L4 F/I	33-2649	
Marbella	0.9L L4 CARB	E-1210		Ibiza II	1.9L L4 DSL	33-2649	
Toledo I	1.6L L4 F/I	33-2649		Ibiza II	2.0L L4 F/I	33-2649 ♦	
Toledo I	1.8L L4 F/I	33-2649		Marbella	0.9L L4 CARB	E-2640	
Toledo I	1.9L L4 DSL	33-2649		Toledo I	1.6L L4 F/I	33-2649	
Toledo I	2.0L L4 F/I	33-2649		Toledo I	1.9L L4 DSL	33-2649	
<b>1996 SEAT</b>				Toledo I	2.0L L4 F/I	33-2649	
Alhambra	1.9L L4 DSL	33-2749		<b>1993 SEAT</b>			
Alhambra	2.0L L4 F/I	33-2749		Cordoba	1.6L L4 F/I	E-1210	
Cordoba	1.4L L4 F/I - 16v	33-2774		Ibiza I	1.2L L4 F/I - 60BHP	E-2585	
Cordoba	1.4L L4 F/I - 8v	E-1210		Ibiza I	1.2L L4 F/I - 71BHP	33-2618	
Cordoba	1.6L L4 F/I - 75BHP, w/Panel Filter, 101BHP	33-2649 ♦		Ibiza I	1.5L L4 F/I - 85BHP	E-2585	
Cordoba	1.6L L4 F/I - 75BHP, w/Round Filter	E-1210 ♦		Ibiza I	1.5L L4 F/I - Exc., 85BHP	33-2618	
Cordoba	1.8L L4 F/I	33-2649		Ibiza II	1.3L L4 F/I	E-1210	
Cordoba	1.9L L4 DSL	33-2649		Ibiza II	1.4L L4 F/I	E-1210	
Cordoba	2.0L L4 F/I	33-2649		Ibiza II	1.6L L4 F/I	E-1210	
Ibiza II	1.0L L4 F/I - 45BHP	E-1210		Ibiza II	2.0L L4 F/I	33-2649 ♦	
Ibiza II	1.4L L4 F/I - 101BHP	33-2774		Toledo I	1.6L L4 F/I	33-2649	
Ibiza II	1.4L L4 F/I - 60BHP	E-1210		<b>1992 SEAT</b>			
Ibiza II	1.6L L4 F/I - 101BHP	33-2649		Ibiza I	1.2L L4 F/I - 60BHP	E-2585	
Ibiza II	1.6L L4 F/I - 75BHP	E-1210		Ibiza I	1.2L L4 F/I - 71BHP	33-2618	
Ibiza II	1.8L L4 F/I	33-2649		Ibiza I	1.5L L4 F/I - 85BHP	E-2585	
Ibiza II	1.9L L4 DSL	33-2649		Ibiza I	1.5L L4 F/I - Exc., 85BHP	33-2618	
Ibiza II	2.0L L4 F/I - 115BHP	33-2649 ♦		Toledo I	1.8L L4 F/I	33-2649	
Ibiza II	2.0L L4 F/I - 150BHP	33-2069 ♦		Toledo I	2.0L L4 F/I	33-2649	
Inca	1.9L L4 DSL	33-2649		<b>1991 SEAT</b>			
Marbella	0.9L L4 CARB - from 12/96	E-1210		Ibiza I	1.2L L4 F/I - 60BHP	E-2585	
Marbella	0.9L L4 CARB - to 11/96	E-2640		Ibiza I	1.2L L4 F/I - 71BHP	33-2618	
				Ibiza I	1.5L L4 F/I - 85BHP	E-2585	
				Ibiza I	1.5L L4 F/I - Exc., 85BHP	33-2618	

\*Indicates 2 filters required

♦ - Intake kit available

Applications updated daily at [knfilters.com](http://knfilters.com) ®

Partial Listing - Complete List of Vehicles and Applications at [knfilters.com](http://knfilters.com)

## SEAT

## AIR &amp; OIL FILTERS

Vehicle	Engine Type	Air Filter	Oil Filter
<b>1991 SEAT</b>			
Toledo I	2.0L L4 F/I	33-2649	
<b>1990 SEAT</b>			
Ibiza I	1.5L L4 F/I - 85BHP	E-2585	
<b>2011 SKODA</b>			
Fabia	1.2L L3 DSL	E-2997	
Fabia	1.2L L3 F/I - Exc., TSi	33-2830 ♦	
Fabia	1.2L L3 F/I - TSi	E-2997 ♦	
Fabia	1.4L L4 F/I - TSi	E-2997	
Fabia	1.6L L4 DSL	E-2997	
Octane	2.0L L4 F/I	33-2865	
Octavia	1.2L L4 F/I	E-2014 ♦	
Octavia	1.4L L4 F/I - 122BHP	E-2014 ♦	
Octavia	1.4L L4 F/I - 80BHP	33-2920 ♦	
Octavia	1.6L L4 DSL	33-2865 ♦	
Octavia	1.8L L4 F/I	33-2865 ♦	
Octavia	2.0L L4 DSL	33-2865 ♦	
Roomster	1.2L L3 DSL	E-2997	
Roomster	1.2L L4 F/I - 64BHP	33-2850	
Roomster	1.2L L4 F/I - TSi	E-2997	
Roomster	1.6L L4 DSL	E-2997	
Superb	1.4L L4 F/I	E-2014 ♦	
Superb	1.6L L4 DSL	33-2865 ♦	
Superb	1.8L L4 F/I	33-2865 ♦	
Superb	2.0L L4 DSL	33-2865 ♦	
Superb	3.6L V6 F/I	33-2384	
Yeti	1.2L L4 F/I	E-2014 ♦	
Yeti	1.4L L4 F/I	E-2014 ♦	
Yeti	1.6L L4 DSL	33-2865 ♦	
Yeti	1.8L L4 F/I	33-2865 ♦	
Yeti	2.0L L4 DSL	33-2865 ♦	
<b>2010 SKODA</b>			
Fabia	1.2L L3 DSL	E-2997	
Fabia	1.2L L3 F/I - Exc., TSi	33-2830 ♦	
Fabia	1.2L L3 F/I - TSi	E-2997 ♦	
Fabia	1.4L L4 DSL	33-2830	
Fabia	1.4L L4 F/I - TSi	E-2997	
Fabia	1.6L L4 DSL	E-2997	
Fabia	1.6L L4 F/I	33-2920	
Fabia	1.9L L4 DSL	33-2830	
Octavia	1.2L L4 F/I	E-2014 ♦	
Octavia	1.4L L4 F/I - 122BHP	E-2014 ♦	
Octavia	1.4L L4 F/I - 80BHP	33-2920 ♦	
Octavia	1.6L L4 DSL	33-2865 ♦	
Octavia	1.6L L4 F/I	E-2014 ♦	
Octavia	1.8L L4 F/I	33-2865 ♦	
Octavia	2.0L L4 DSL	33-2865 ♦	
Octavia	2.0L L4 F/I - 200BHP	33-2865 ♦	
Roomster	1.2L L3 DSL	E-2997	
Roomster	1.2L L4 F/I - 64BHP	33-2850	
Roomster	1.2L L4 F/I - 69BHP	33-2830	
Roomster	1.2L L4 F/I - TSi	E-2997	
Roomster	1.4L L4 DSL	33-2830	
Roomster	1.4L L4 F/I	33-2920	
Roomster	1.6L L4 DSL	E-2997	
Roomster	1.6L L4 F/I	33-2920 ♦	
Roomster	1.9L L4 DSL	33-2830	
Superb	1.4L L4 F/I	E-2014 ♦	
Superb	1.6L L4 DSL	33-2865 ♦	
Superb	1.8L L4 F/I	33-2865 ♦	
Superb	1.9L L4 DSL	33-2865 ♦	
Superb	2.0L L4 DSL	33-2865 ♦	
Superb	2.0L L4 F/I	33-2865 ♦	

Vehicle	Engine Type	Air Filter	Oil Filter
<b>2010 SKODA</b>			
Superb	3.6L V6 F/I	33-2384	
Yeti	1.2L L4 F/I	E-2014 ♦	
Yeti	1.4L L4 F/I	E-2014 ♦	
Yeti	1.6L L4 DSL	33-2865 ♦	
Yeti	1.8L L4 F/I	33-2865 ♦	
Yeti	2.0L L4 DSL	33-2865 ♦	
<b>2009 SKODA</b>			
Fabia	1.2L L3 F/I	33-2830 ♦	
Fabia	1.4L L4 DSL	33-2830	
Fabia	1.4L L4 F/I	33-2920 ♦	
Fabia	1.6L L4 F/I	33-2920 ♦	
Fabia	1.9L L4 DSL	33-2830 ♦	
Octavia	1.4L L4 F/I - 122BHP	E-2014 ♦	
Octavia	1.4L L4 F/I - 80BHP	33-2920 ♦	
Octavia	1.6L L4 DSL	33-2865 ♦	
Octavia	1.6L L4 F/I - 102BHP	E-2014 ♦	
Octavia	1.6L L4 F/I - 115BHP	33-2869 ♦	
Octavia	1.8L L4 F/I	33-2865 ♦	
Octavia	1.9L L4 DSL	33-2865 ♦	
Octavia	2.0L L4 DSL	33-2865 ♦	
Octavia	2.0L L4 F/I - 150BHP	E-2014 ♦	
Octavia	2.0L L4 F/I - 200BHP	33-2865 ♦	
Praktik	1.2L L3 F/I	33-2830	
Praktik	1.4L L3 DSL	33-2830	
Praktik	1.4L L4 F/I	33-2920	
Roomster	1.2L L4 F/I	33-2830 ♦	
Roomster	1.4L L4 DSL	33-2830	
Roomster	1.4L L4 F/I	33-2920 ♦	
Roomster	1.6L L4 F/I	33-2920 ♦	
Roomster	1.9L L4 DSL	33-2830	
Superb	1.4L L4 F/I	E-2014 ♦	
Superb	1.8L L4 F/I	33-2865 ♦	
Superb	1.9L L4 DSL	33-2865 ♦	
Superb	2.0L L4 DSL	33-2865 ♦	
Superb	3.6L V6 F/I	33-2878	
Yeti	1.2L L4 F/I	E-2014 ♦	
Yeti	1.8L L4 F/I	33-2865 ♦	
Yeti	2.0L L4 DSL	33-2865 ♦	
<b>2008 SKODA</b>			
Fabia	1.2L L3 F/I	33-2830 ♦	
Fabia	1.4L L4 DSL	33-2830	
Fabia	1.4L L4 F/I	33-2920 ♦	
Fabia	1.6L L4 F/I	33-2920 ♦	
Fabia	1.9L L4 DSL	33-2830 ♦	
Octavia	1.4L L4 F/I - 122BHP	E-2014 ♦	
Octavia	1.4L L4 F/I - 80BHP	33-2920 ♦	
Octavia	1.6L L4 F/I - 102BHP	E-2014 ♦	
Octavia	1.6L L4 F/I - 115BHP	33-2869 ♦	
Octavia	1.8L L4 F/I	33-2865 ♦	
Octavia	1.9L L4 DSL	33-2865 ♦	
Octavia	2.0L L4 DSL	33-2865 ♦	
Octavia	2.0L L4 F/I - 200BHP	33-2888 ♦	
Praktik	1.2L L3 F/I	33-2830	
Praktik	1.4L L3 DSL	33-2830	
Praktik	1.4L L4 F/I	33-2920	
Roomster	1.2L L4 F/I	33-2830 ♦	
Roomster	1.4L L4 DSL	33-2830	
Roomster	1.4L L4 F/I	33-2920 ♦	
Roomster	1.6L L4 F/I	33-2920 ♦	
Roomster	1.9L L4 DSL	33-2830	
Superb	1.4L L4 F/I	E-2014 ♦	
Superb	1.8L L4 F/I	33-2865 ♦	

\*Indicates 2 filters required

♦ - Intake kit available

Applications updated daily at [knfilters.com](http://knfilters.com) ®



# AIR & OIL FILTERS

# SKODA

Vehicle	Engine Type	Air Filter	Oil Filter
<b>2008 SKODA</b>			
Superb	1.9L L4 DSL - From 7/08	33-2865 ♦	
Superb	2.0L L4 DSL	33-2865 ♦	
Superb	2.0L L4 F/I	33-2125	
Superb	2.5L V6 DSL	33-2125	
Superb	2.8L V6 F/I	33-2125	
Superb	3.6L V6 F/I	33-2878	

Vehicle	Engine Type	Air Filter	Oil Filter
<b>2007 SKODA</b>			
Fabia	1.2L L3 F/I	33-2830 ♦	
Fabia	1.4L L4 DSL	33-2830 ♦	
Fabia	1.4L L4 F/I	33-2920 ♦	
Fabia	1.6L L4 F/I	33-2920 ♦	
Fabia	1.9L L4 DSL	33-2830 ♦	
Octavia	1.4L L4 F/I - 80BHP	33-2920 ♦	
Octavia	1.6L L4 F/I - 102BHP, exc. AVU/BFQ Eng.	E-2014 ♦	
Octavia	1.6L L4 F/I - 115BHP	33-2869 ♦	
Octavia	1.9L L4 DSL	33-2865 ♦	
Octavia	2.0L L4 DSL	33-2865 ♦	
Octavia	2.0L L4 F/I		HP-7010
Octavia	2.0L L4 F/I - 150BHP	E-2014 ♦	HP-7010
Octavia	2.0L L4 F/I - Exc., 150BHP	33-2888 ♦	HP-7010
Praktik	1.2L L3 F/I	33-2830	
Praktik	1.4L L3 DSL	33-2830	
Praktik	1.4L L4 F/I	33-2920	
Roomster	1.2L L4 F/I - 64BHP	33-2850 ♦	
Roomster	1.2L L4 F/I - 70BHP	33-2830 ♦	
Roomster	1.4L L4 DSL	33-2830	
Roomster	1.4L L4 F/I	33-2920 ♦	
Roomster	1.6L L4 F/I	33-2920 ♦	
Roomster	1.9L L4 DSL	33-2830	
Superb	1.8L L4 F/I	33-2125	
Superb	2.0L L4 DSL	33-2125 ♦	
Superb	2.0L L4 F/I	33-2125	
Superb	2.5L V6 DSL	33-2125	
Superb	2.8L V6 F/I	33-2125	

Vehicle	Engine Type	Air Filter	Oil Filter
<b>2006 SKODA</b>			
Fabia	1.2L L3 F/I - 54BHP	33-2830 ♦	
Fabia	1.2L L3 F/I - 64BHP	33-2850 ♦	
Fabia	1.4L L4 DSL	33-2830 ♦	
Fabia	1.4L L4 F/I - 80BHP	33-2920	
Fabia	1.6L L4 F/I	33-2920 ♦	
Fabia	1.9L L4 DSL	33-2830 ♦	
Fabia	2.0L L4 F/I	33-2830	
Octavia	1.4L L4 F/I - 75BHP	33-2221 ♦	
Octavia	1.4L L4 F/I - 80BHP	33-2920 ♦	
Octavia	1.6L L4 F/I - 102BHP, exc. AVU/BFQ Eng.	E-2014 ♦	
Octavia	1.6L L4 F/I - 115BHP	33-2869 ♦	
Octavia	1.9L L4 DSL	33-2865 ♦	
Octavia	2.0L L4 DSL	33-2865 ♦	
Octavia	2.0L L4 F/I		HP-7010
Octavia	2.0L L4 F/I - 150BHP	E-2014 ♦	HP-7010
Octavia	2.0L L4 F/I - Exc., 150BHP	33-2888 ♦	HP-7010
Roomster	1.2L L4 F/I	33-2850	
Roomster	1.4L L4 DSL	33-2830	
Roomster	1.4L L4 F/I	33-2920 ♦	
Roomster	1.6L L4 F/I	33-2920 ♦	
Roomster	1.9L L4 DSL	33-2830	
Superb	1.8L L4 F/I	33-2125	
Superb	2.0L L4 DSL	33-2125 ♦	
Superb	2.0L L4 F/I	33-2125	
Superb	2.5L V6 DSL	33-2125	

Vehicle	Engine Type	Air Filter	Oil Filter
<b>2006 SKODA</b>			
Superb	2.8L V6 F/I	33-2125	
<b>2005 SKODA</b>			
Fabia	1.2L L3 F/I - 54BHP	33-2830 ♦	
Fabia	1.2L L3 F/I - 64BHP	33-2850 ♦	
Fabia	1.4L L4 DSL	33-2830 ♦	
Fabia	1.4L L4 F/I - 16v	33-2221 ♦	
Fabia	1.4L L4 F/I - 8v	33-2830 ♦	
Fabia	1.9L L4 DSL	33-2830 ♦	
Fabia	2.0L L4 F/I	33-2830	
Octavia	1.4L L4 F/I - 75BHP, 8v	33-2221	
Octavia	1.4L L4 F/I - 80BHP	33-2920	
Octavia	1.6L L4 F/I - 102BHP, exc. AVU/BFQ Eng.	E-2014 ♦	
Octavia	1.6L L4 F/I - 115BHP	33-2869 ♦	
Octavia	1.9L L4 DSL - 105BHP	33-2865 ♦	
Octavia	2.0L L4 DSL	33-2865 ♦	
Octavia	2.0L L4 F/I		HP-7010
Octavia	2.0L L4 F/I - 150BHP	E-2014 ♦	HP-7010
Octavia	2.0L L4 F/I - Exc., 150BHP	33-2888 ♦	HP-7010
Superb	1.8L L4 F/I	33-2125	
Superb	2.0L L4 DSL	33-2125 ♦	
Superb	2.0L L4 F/I	33-2125	
Superb	2.5L V6 DSL	33-2125	
Superb	2.8L V6 F/I	33-2125	

Vehicle	Engine Type	Air Filter	Oil Filter
<b>2004 SKODA</b>			
Fabia	1.2L L3 F/I - 54BHP	33-2830 ♦	
Fabia	1.2L L3 F/I - 64BHP	33-2850 ♦	
Fabia	1.4L L4 DSL	33-2830 ♦	
Fabia	1.4L L4 F/I - 16v	33-2221 ♦	
Fabia	1.4L L4 F/I - 8v	33-2830 ♦	
Fabia	1.9L L4 DSL	33-2830 ♦	
Fabia	2.0L L4 F/I	33-2830	
Octavia	1.4L L4 F/I - 60/75BHP	33-2774	
Octavia	1.4L L4 F/I - 75BHP, 8v	33-2221	
Octavia	1.6L L4 F/I - 101/102BHP, to 4/04	33-2128 ♦	
Octavia	1.6L L4 F/I - 102BHP, from 5/04, exc. AVU/BFQ Eng.	E-2014 ♦	
Octavia	1.6L L4 F/I - 115BHP	33-2869 ♦	
Octavia	1.8L L4 F/I	33-2128 ♦	
Octavia	1.9L L4 DSL - 105BHP	33-2865 ♦	
Octavia	1.9L L4 DSL - to 4/04	33-2128 ♦	
Octavia	1.9L L4 SDI - to 4/04	33-2128 ♦	
Octavia	2.0L L4 DSL	33-2865 ♦	
Octavia	2.0L L4 F/I		HP-7010
Octavia	2.0L L4 F/I - from 11/04, 150BHP	E-2014 ♦	HP-7010
Octavia	2.0L L4 F/I - to 4/04	33-2128 ♦	HP-7010
Superb	1.8L L4 F/I	33-2125	
Superb	1.9L L4 DSL - TDi	33-2125	
Superb	2.0L L4 F/I	33-2125	
Superb	2.5L V6 DSL	33-2125	
Superb	2.8L V6 F/I	33-2125	

Vehicle	Engine Type	Air Filter	Oil Filter
<b>2003 SKODA</b>			
Fabia	1.2L L3 F/I - 54BHP	33-2830 ♦	
Fabia	1.2L L3 F/I - 64BHP	33-2850 ♦	
Fabia	1.4L L4 DSL	33-2830 ♦	
Fabia	1.4L L4 F/I - 16v	33-2221 ♦	
Fabia	1.4L L4 F/I - 8v	33-2830 ♦	
Fabia	1.9L L4 DSL	33-2830 ♦	
Fabia	2.0L L4 F/I	33-2830	
Octavia	1.4L L4 F/I - 60/75BHP	33-2774	

\*Indicates 2 filters required      ♦ - Intake kit available      Applications updated daily at [knfilters.com](http://knfilters.com) ®

**Partial Listing - Complete List of Vehicles and Applications at [knfilters.com](http://knfilters.com)**

# SKODA

# AIR & OIL FILTERS

Vehicle	Engine Type	Air Filter	Oil Filter
<b>2003 SKODA</b>			
Octavia	1.6L L4 F/I - 101/102BHP	33-2128 ♦	
Octavia	1.6L L4 F/I - 75BHP	E-1210 ♦	
Octavia	1.8L L4 F/I	33-2128 ♦	
Octavia	1.9L L4 DSL	33-2128	
Octavia	1.9L L4 SDI	33-2128	
Octavia	2.0L L4 F/I	33-2128 ♦	
Superb	1.8L L4 F/I	33-2125	
Superb	1.9L L4 DSL - TDi	33-2125	
Superb	2.0L L4 F/I	33-2125	
Superb	2.5L V6 DSL	33-2125	
Superb	2.8L V6 F/I	33-2125	

Vehicle	Engine Type	Air Filter	Oil Filter
<b>2002 SKODA</b>			
Fabia	1.0L L4 F/I	33-2830	
Fabia	1.2L L3 F/I - 54BHP	33-2830	
Fabia	1.4L L4 F/I - 16v	33-2221 ♦	
Fabia	1.4L L4 F/I - 8v	33-2830 ♦	
Fabia	1.9L L4 DSL	33-2830	
Fabia	2.0L L4 F/I	33-2830	
Octavia	1.4L L4 F/I - 60/75BHP	33-2774	
Octavia	1.6L L4 F/I - 101/102BHP	33-2128 ♦	
Octavia	1.6L L4 F/I - 75BHP	E-1210 ♦	
Octavia	1.8L L4 F/I	33-2128 ♦	
Octavia	1.9L L4 DSL	33-2128	
Octavia	1.9L L4 SDI	33-2128	
Octavia	2.0L L4 F/I	33-2128 ♦	
Superb	1.8L L4 F/I	33-2125	
Superb	1.9L L4 DSL - TDi	33-2125	
Superb	2.0L L4 F/I	33-2125	
Superb	2.5L V6 DSL	33-2125	
Superb	2.8L V6 F/I	33-2125	

Vehicle	Engine Type	Air Filter	Oil Filter
<b>2001 SKODA</b>			
Fabia	1.0L L4 F/I	33-2830	
Fabia	1.2L L3 F/I - 54BHP	33-2830	
Fabia	1.4L L4 F/I - 16v	33-2221 ♦	
Fabia	1.4L L4 F/I - 8v	33-2830 ♦	
Fabia	1.9L L4 DSL	33-2830	
Fabia	2.0L L4 F/I	33-2830	
Felicia II	1.6L L4 F/I	33-2649	
Felicia II	1.9L L4 DSL	33-2649	
Octavia	1.4L L4 F/I - 60/75BHP	33-2774	
Octavia	1.6L L4 F/I - 101/102BHP	33-2128 ♦	
Octavia	1.6L L4 F/I - 75BHP	E-1210 ♦	
Octavia	1.8L L4 F/I	33-2128 ♦	
Octavia	1.9L L4 DSL	33-2128	
Octavia	1.9L L4 SDI	33-2128	
Octavia	2.0L L4 F/I	33-2128 ♦	
Superb	1.8L L4 F/I	33-2125	
Superb	1.9L L4 DSL - TDi	33-2125	
Superb	2.0L L4 F/I	33-2125	

Vehicle	Engine Type	Air Filter	Oil Filter
<b>2000 SKODA</b>			
Fabia	1.0L L4 F/I	33-2830	
Fabia	1.4L L4 F/I - 16v	33-2221 ♦	
Fabia	1.4L L4 F/I - 8v	33-2830 ♦	
Fabia	1.9L L4 DSL	33-2830	
Fabia	2.0L L4 F/I	33-2830	
Felicia II	1.6L L4 F/I	33-2649	
Felicia II	1.9L L4 DSL	33-2649	
Octavia	1.4L L4 F/I - 60/75BHP	33-2774	
Octavia	1.6L L4 F/I - 101/102BHP	33-2128 ♦	
Octavia	1.6L L4 F/I - 75BHP	E-1210 ♦	

Vehicle	Engine Type	Air Filter	Oil Filter
<b>2000 SKODA</b>			
Octavia	1.8L L4 F/I	33-2128 ♦	
Octavia	1.9L L4 DSL	33-2128	
Octavia	1.9L L4 SDI	33-2128	
Octavia	2.0L L4 F/I	33-2128 ♦	

Vehicle	Engine Type	Air Filter	Oil Filter
<b>1999 SKODA</b>			
Fabia	1.0L L4 F/I	33-2830	
Fabia	1.4L L4 F/I - 16v	33-2221 ♦	
Fabia	1.4L L4 F/I - 8v	33-2830 ♦	
Fabia	1.9L L4 DSL	33-2830	
Fabia	2.0L L4 F/I	33-2830	
Felicia II	1.6L L4 F/I	33-2649	
Felicia II	1.9L L4 DSL	33-2649	
Octavia	1.6L L4 F/I - 101BHP	33-2128 ♦	
Octavia	1.6L L4 F/I - 75BHP	E-1210 ♦	
Octavia	1.8L L4 F/I	33-2128 ♦	
Octavia	1.9L L4 DSL	33-2128	
Octavia	1.9L L4 SDI	33-2128	
Octavia	2.0L L4 F/I	33-2128	

Vehicle	Engine Type	Air Filter	Oil Filter
<b>1998 SKODA</b>			
Felicia I	1.6L L4 F/I	33-2649	
Felicia I	1.9L L4 DSL	33-2649	
Felicia II	1.6L L4 F/I	33-2649	
Felicia II	1.9L L4 DSL	33-2649	
Octavia	1.6L L4 F/I - 101BHP	33-2128 ♦	
Octavia	1.6L L4 F/I - 75BHP	E-1210 ♦	
Octavia	1.8L L4 F/I	33-2128 ♦	
Octavia	1.9L L4 DSL	33-2128	
Octavia	1.9L L4 SDI	33-2128	

Vehicle	Engine Type	Air Filter	Oil Filter
<b>1997 SKODA</b>			
Favorit	1.3L L4 F/I	E-1211	
Felicia	1.3L L4 F/I	33-2649	
		E-1211	
Felicia	1.3L L4 F/I - LX, GLXi	E-1210	
Felicia I	1.6L L4 F/I	33-2649	
Felicia I	1.9L L4 DSL	33-2649	
Octavia	1.6L L4 F/I - 101BHP	33-2128	
Octavia	1.6L L4 F/I - 75BHP	E-1210	
Octavia	1.8L L4 F/I	33-2128 ♦	
Octavia	1.9L L4 DSL	33-2128	
Octavia	1.9L L4 SDI	33-2128	

Vehicle	Engine Type	Air Filter	Oil Filter
<b>1996 SKODA</b>			
Favorit	1.3L L4 F/I	E-1211	
Felicia	1.3L L4 F/I	E-1210	
Felicia	1.3L L4 F/I - 54/68BHP, 8v, OHV	E-1211	
Felicia I	1.6L L4 F/I	33-2649	
Felicia I	1.9L L4 DSL	33-2649	
Octavia	1.6L L4 F/I - 75BHP	E-1210	
Octavia	1.8L L4 F/I	33-2128	
Octavia	1.9L L4 DSL	33-2128	

Vehicle	Engine Type	Air Filter	Oil Filter
<b>1995 SKODA</b>			
Favorit	1.3L L4 F/I	E-1211	
Felicia	1.3L L4 F/I	E-1210	
Felicia	1.3L L4 F/I - 54/68BHP, 8v, OHV	E-1211	
Felicia I	1.9L L4 DSL	33-2649	

Vehicle	Engine Type	Air Filter	Oil Filter
<b>1994 SKODA</b>			
Favorit	1.3L L4 F/I	E-1211	
Felicia	1.3L L4 F/I	E-1210	

Vehicle	Engine Type	Air Filter	Oil Filter
<b>1993 SKODA</b>			
Favorit	1.3L L4 CARB	E-9103	

\*Indicates 2 filters required      ♦ - Intake kit available      Applications updated daily at [knfilters.com](http://knfilters.com) ®

# AIR & OIL FILTERS

# SKODA

Vehicle	Engine Type	Air Filter	Oil Filter
<b>1993 SKODA</b>			
Favorit	1.3L L4 F/I - 54/68BHP	E-1211	
<b>1992 SKODA</b>			
Favorit	1.3L L4 CARB	E-9103	
Felicia	1.3L L4 - LX, GLXi	E-1210	
<b>1991 SKODA</b>			
Favorit	1.3L L4 CARB	E-9103	
<b>1990 SKODA</b>			
Favorit	1.3L L4 CARB	E-9103	
<b>1989 SKODA</b>			
Favorit	1.3L L4 CARB	E-9103	
<b>2011 SMART</b>			
Fortwo	0.8L L3 DSL	33-2417	
Fortwo	1.0L L3 F/I	33-2417	HP-1008
<b>2010 SMART</b>			
Fortwo	0.8L L3 DSL	33-2417	
Fortwo	1.0L L3 F/I		HP-1008
Fortwo	1.0L L3 F/I - US	33-2417	HP-1008
<b>2009 SMART</b>			
Fortwo	0.8L L3 DSL	33-2417	
Fortwo	1.0L L3 F/I		HP-1008
Fortwo	1.0L L3 F/I - Non-US, Brabus Turbo	E-9257	HP-1008
Fortwo	1.0L L3 F/I - Non-US, exc. Brabus Turbo	33-2417	HP-1008
Fortwo	1.0L L3 F/I - US	33-2417	HP-1008
<b>2008 SMART</b>			
Fortwo	0.8L L3 DSL	33-2417	
Fortwo	1.0L L3 F/I - Non-US, Brabus Turbo	E-9257	
Fortwo	1.0L L3 F/I - Non-US, exc. Brabus Turbo	33-2417	
Fortwo	1.0L L3 F/I - US	33-2417	
<b>2007 SMART</b>			
Fortwo	0.7L L3 F/I - to 3/07	E-9257	
Fortwo	0.8L L3 DSL - Non-US, from 3/07	33-2417	
Fortwo	0.8L L3 DSL - to 3/07	E-9257	
Fortwo	1.0L L3 F/I - Brabus Turbo	E-9257	
Fortwo	1.0L L3 F/I - exc. Brabus Turbo	33-2417	
<b>2006 SMART</b>			
Forfour	1.1L L3 F/I	33-2881	
Forfour	1.3L L4 F/I	33-2881	
Forfour	1.5L L4 F/I	33-2881	
Fortwo	0.7L L3 F/I	E-9257	
Fortwo	0.8L L3 DSL	E-9257	
Roadster	0.7L L3 F/I	E-9257 ♦	
<b>2005 SMART</b>			
Crossblade	0.6L L3 F/I	E-9257	
Forfour	1.1L L3 F/I	33-2881	
Forfour	1.3L L4 F/I	33-2881	
Forfour	1.5L L4 F/I	33-2881	
Fortwo	0.7L L3 F/I	E-9257	
Fortwo	0.8L L3 DSL	E-9257	
Roadster	0.7L L3 F/I	E-9257 ♦	
<b>2004 SMART</b>			
Cabrio	0.6L L3 F/I	E-9257	
Cabrio	0.7L L3 F/I	E-9257	
Cabrio	0.8L L3 DSL	E-9257	
City Coupe	0.6L L3 F/I	E-9257 ♦	

Vehicle	Engine Type	Air Filter	Oil Filter
<b>2004 SMART</b>			
City Coupe	0.7L L3 F/I	E-9257	
City Coupe	0.8L L3 DSL	E-9257 ♦	
Crossblade	0.6L L3 F/I	E-9257	
Forfour	1.1L L3 F/I	33-2881	
Forfour	1.3L L4 F/I	33-2881	
Forfour	1.5L L4 F/I	33-2881	
Fortwo	0.7L L3 F/I	E-9257	
Fortwo	0.8L L3 DSL	E-9257	
Roadster	0.7L L3 F/I	E-9257 ♦	
<b>2003 SMART</b>			
Cabrio	0.6L L3 F/I	E-9257	
Cabrio	0.7L L3 F/I	E-9257	
Cabrio	0.8L L3 DSL	E-9257	
City Coupe	0.6L L3 F/I	E-9257 ♦	
City Coupe	0.7L L3 F/I	E-9257	
City Coupe	0.8L L3 DSL	E-9257 ♦	
Crossblade	0.6L L3 F/I	E-9257	
Roadster	0.7L L3 F/I	E-9257 ♦	
<b>2002 SMART</b>			
Cabrio	0.6L L3 F/I	E-9257	
Cabrio	0.8L L3 DSL	E-9257	
City Coupe	0.6L L3 F/I	E-9257 ♦	
City Coupe	0.8L L3 DSL	E-9257 ♦	
Crossblade	0.6L L3 F/I	E-9257	
<b>2001 SMART</b>			
Cabrio	0.6L L3 F/I	E-9257	
Cabrio	0.8L L3 DSL	E-9257	
City Coupe	0.6L L3 F/I	E-9257 ♦	
City Coupe	0.8L L3 DSL	E-9257 ♦	
<b>2000 SMART</b>			
Cabrio	0.6L L3 F/I	E-9257	
City Coupe	0.6L L3 F/I	E-9257 ♦	
City Coupe	0.8L L3 DSL	E-9257 ♦	
<b>1999 SMART</b>			
City Coupe	0.6L L3 F/I	E-9257 ♦	
City Coupe	0.8L L3 DSL	E-9257 ♦	
<b>1998 SMART</b>			
City Coupe	0.6L L3 F/I	E-9257 ♦	
<b>2008 SSANGYONG</b>			
Rexton	2.9L L5 DSL	33-2834	
Rexton	3.2L V6 DSL	33-2834	
<b>2007 SSANGYONG</b>			
Rexton	2.7L L5 DSL	33-2834	
Rexton	2.9L L5 DSL	33-2834	
Rexton	3.2L V6 DSL	33-2834	
<b>2006 SSANGYONG</b>			
Rexton	2.7L L5 DSL	33-2834	
Rexton	2.9L L5 DSL	33-2834	
Rexton	3.2L V6 DSL	33-2834	
<b>2005 SSANGYONG</b>			
Rexton	2.7L L5 DSL	33-2834	
Rexton	2.9L L5 DSL	33-2834	
Rexton	3.2L V6 DSL	33-2834	
<b>2004 SSANGYONG</b>			
Rexton	2.7L L5 DSL	33-2834	
Rexton	2.9L L5 DSL	33-2834	
Rexton	3.2L V6 DSL	33-2834	

\*Indicates 2 filters required    ♦ - Intake kit available    Applications updated daily at [knfilters.com](http://knfilters.com) ®

Partial Listing - Complete List of Vehicles and Applications at [knfilters.com](http://knfilters.com)

# SSANGYONG

# AIR & OIL FILTERS

Vehicle	Engine Type	Air Filter	Oil Filter
---------	-------------	------------	------------

## 2003 SSANGYONG

Korando	2.9L L5 DSL - exc. Turbo	33-2549	
Korando	2.9L L5 DSL - Turbo	33-2214	
Rexton	2.9L L5 DSL	33-2834	
Rexton	3.2L V6 DSL	33-2834	

## 2002 SSANGYONG

Korando	2.9L L5 DSL - exc. Turbo	33-2549	
Korando	2.9L L5 DSL - Turbo	33-2214	
Rexton	2.9L L5 DSL	33-2834	
Rexton	3.2L V6 DSL	33-2834	

## 2001 SSANGYONG

Korando	2.9L L5 DSL - exc. Turbo	33-2549	
Korando	2.9L L5 DSL - Turbo	33-2214	
Rexton	2.9L L5 DSL	33-2834	
Rexton	3.2L V6 DSL	33-2834	

## 2000 SSANGYONG

Korando	2.9L L5 DSL - exc. Turbo	33-2549	
Korando	2.9L L5 DSL - Turbo	33-2214	
Musso	2.3L L4 F/I	33-2214	

## 1999 SSANGYONG

Korando	2.3L L4 DSL	33-2214	
Korando	2.9L L5 DSL - exc. Turbo	33-2549	
Korando	2.9L L5 DSL - Turbo	33-2214	
Korando	3.2L V6 F/I	33-2214	
Musso	2.3L L4 F/I	33-2214	
Musso	2.9L L5 DSL - exc. Turbo	33-2549	
Musso	2.9L L5 DSL - Turbo	33-2214	
Musso	3.2L V6 F/I	33-2214	

## 1998 SSANGYONG

Korando	2.3L L4 DSL	33-2214	
Korando	2.9L L5 DSL - exc. Turbo	33-2549	
Korando	2.9L L5 DSL - Turbo	33-2214	
Korando	3.2L V6 F/I	33-2214	
Musso	2.3L L4 F/I	33-2214	
Musso	2.9L L5 DSL - exc. Turbo	33-2549	
Musso	2.9L L5 DSL - Turbo	33-2214	
Musso	3.2L V6 F/I	33-2214	

## 1997 SSANGYONG

Korando	2.3L L4 DSL	33-2214	
Korando	2.9L L5 DSL - exc. Turbo	33-2549	
Korando	2.9L L5 DSL - Turbo	33-2214	
Korando	3.2L V6 F/I	33-2214	
Musso	2.3L L4 F/I	33-2214	
Musso	2.9L L5 DSL - exc. Turbo	33-2549	
Musso	2.9L L5 DSL - Turbo	33-2214	
Musso	3.2L V6 F/I	33-2214	

## 1996 SSANGYONG

Korando	3.2L V6 F/I	33-2214	
Musso	2.3L L4 F/I	33-2214	
Musso	2.9L L5 DSL - exc. Turbo	33-2549	
Musso	2.9L L5 DSL - Turbo	33-2214	

## 2008 STERLING

Bullet	6.7L L6 DSL		HP-4003
--------	-------------	--	---------

Vehicle	Engine Type	Air Filter	Oil Filter
---------	-------------	------------	------------

## 2003 STERLING

Acterra	5.9L L6 DSL - OEM FS19855		FF-9800
---------	---------------------------	--	---------

## 2002 STERLING

Acterra 5500	5.9L L6 DSL - OEM FS19855		FF-9800
Acterra 6500	5.9L L6 DSL - OEM FS19855		FF-9800
Acterra 7500	5.9L L6 DSL - OEM FS19855		FF-9800
L7500	5.9L L6 DSL		FF-1261

## 2001 STERLING

Acterra 5500	5.9L L6 DSL - OEM FS19855		FF-9800
Acterra 6500	5.9L L6 DSL - OEM FS19855		FF-9800
Acterra 7500	5.9L L6 DSL - OEM FS19855		FF-9800
L7500	5.9L L6 DSL		FF-1261

## 2000 STERLING

L7500	5.9L L6 DSL		FF-1261
-------	-------------	--	---------

## 1999 STERLING

L7500	5.9L L6 DSL		FF-1261
-------	-------------	--	---------

## 1964 STUDEBAKER

Cruiser	289 V8 CARB - exc. opt. cart. filter		HP-2003
Daytona	289 V8 CARB - exc. opt. cart. filter		HP-2003

## 1963 STUDEBAKER

Lark	170 L6 CARB - exc. opt. cart. filter		HP-2003
Lark	289 V8 CARB - exc. opt. cart. filter		HP-2003

## 1962 STUDEBAKER

Lark	259 V8 CARB - VIN V, exc. opt. cart. filter		HP-2003
------	---	--	---------

## 2011 SUBARU

Forester	2.0L H4 DSL	33-2304	
Forester	2.0L H4 F/I	33-2304	
Forester	2.5L H4 F/I	33-2304	HP-1008
Impreza	1.5L H4 F/I	33-2304	
Impreza	2.0L H4 DSL	33-2304	
Impreza	2.0L H4 F/I	33-2304	
Impreza WRX	2.5L H4 F/I	33-2304	HP-1008
Impreza WRX STI	2.5L H4 F/I	33-2304 ♦	HP-1008
Justy IV	1.0L L3 F/I	33-2131	
Legacy	2.5L H4 F/I	33-2304	HP-1008
Legacy	3.6L H6 F/I	33-2304	HP-1004
Legacy IV	2.0L H4 DSL	33-2304	
Legacy IV	2.0L H4 F/I	33-2304	
Legacy IV	2.5L H4 F/I	33-2304	
Outback	2.0L H4 DSL	33-2304	
Outback	2.5L H4 F/I	33-2304	HP-1008
Outback	3.6L H6 F/I	33-2304	HP-1004
Tribeca	3.6L H6 F/I	33-2304	HP-1004

## 2010 SUBARU

Forester	2.0L H4 DSL	33-2304	
Forester	2.0L H4 F/I	33-2304	
Forester	2.5L H4 F/I	33-2304	HP-1008
Impreza	1.5L H4 F/I	33-2304	
Impreza	2.0L H4 DSL	33-2304	
Impreza	2.0L H4 F/I	33-2304	
Impreza	2.5L H4 F/I	33-2304	HP-1008
Impreza WRX	2.5L H4 F/I	33-2304 ♦	HP-1008
Impreza WRX STI	2.5L H4 F/I	33-2304 ♦	HP-1008

\*Indicates 2 filters required

♦ - Intake kit available

Applications updated daily at [knfilters.com](http://knfilters.com) ®

# AIR & OIL FILTERS

# SUBARU

Vehicle	Engine Type	Air Filter	Oil Filter	Vehicle	Engine Type	Air Filter	Oil Filter
<b>2010 SUBARU</b>				<b>2007 SUBARU</b>			
Justy IV	1.0L L3 F/I	33-2131		Impreza	1.5L H4 F/I	33-2304	
Legacy	2.5L H4 F/I	33-2304	HP-1008	Impreza	2.0L H4 F/I	33-2304	
Legacy	3.6L H6 F/I	33-2304	HP-1004	Impreza	2.5L H4 F/I	33-2232 ♦	HP-1008
Legacy IV	2.0L H4 DSL	33-2304		Impreza WRX	2.0L H4 F/I	33-2304 ♦	
Legacy IV	2.0L H4 F/I	33-2304		Impreza WRX	2.5L H4 F/I	33-2232 ♦	HP-1008
Legacy IV	2.5L H4 F/I	33-2304		Impreza WRX STi	2.0L H4 F/I	33-2304 ♦	
Outback	2.0L H4 DSL	33-2304		Impreza WRX STi	2.5L H4 F/I	33-2232 ♦	HP-1008
Outback	2.5L H4 F/I	33-2304	HP-1008	Justy IV	1.0L L3 F/I	33-2131	
Outback	3.6L H6 F/I	33-2304	HP-1004	Legacy	2.5L H4 F/I	33-2304	HP-1008
Tribeca	3.6L H6 F/I	33-2304	HP-1004	Legacy GT	2.5L H4 F/I	33-2304 ♦	HP-1008
<b>2009 SUBARU</b>				<b>2006 SUBARU</b>			
Forester	2.0L H4 DSL	33-2304		B9 Tribeca	3.0L H6 F/I	33-2304	HP-1004
Forester	2.0L H4 F/I	33-2304		Baja	2.5L H4 F/I	33-2075	HP-1008
Forester	2.5L H4 F/I	33-2304	HP-1008	Baja Sport	2.5L H4 F/I	33-2154	HP-1008
Impreza	1.5L H4 F/I	33-2304		Forester	2.5L H4 F/I	33-2075	HP-1008
Impreza	2.0L H4 DSL	33-2304				33-2075 ♦	HP-1008
Impreza	2.0L H4 F/I	33-2304		Forester	2.5L H4 F/I - Non-US, Turbo	33-2075	HP-1008
Impreza	2.5L H4 F/I	33-2304 ♦	HP-1008	Impreza	2.5L H4 F/I	33-2232	HP-1008
Impreza WRX	2.0L H4 F/I	33-2304		Impreza WRX	2.5L H4 F/I	33-2232 ♦	HP-1008
Impreza WRX	2.5L H4 F/I	33-2304 ♦	HP-1008	Impreza WRX STi	2.5L H4 F/I	33-2232 ♦	HP-1008
Impreza WRX STi	2.0L H4 F/I	33-2304		Legacy	2.5L H4 F/I	33-2304	HP-1008
Impreza WRX STi	2.5L H4 F/I	33-2304 ♦	HP-1008	Legacy GT	2.5L H4 F/I	33-2304 ♦	HP-1008
Justy IV	1.0L L3 F/I	33-2131		Legacy IV	2.0L H4 F/I	33-2304	
Legacy	2.5L H4 F/I	33-2304	HP-1008	Legacy IV	2.5L H4 F/I		HP-1008
Legacy	3.0L H6 F/I	33-2304	HP-1004	Legacy IV	2.5L H4 F/I - 165BHP	33-2304	HP-1008
Legacy IV	2.0L H4 DSL	33-2304		Legacy IV	3.0L H6 F/I	33-2304	HP-1004
Legacy IV	2.0L H4 F/I	33-2304		Outback	2.0L H4 DSL	33-2304	
Legacy IV	2.5L H4 F/I		HP-1008	Outback	2.5L H4 F/I	33-2304	HP-1008
Legacy IV	2.5L H4 F/I - 165BHP	33-2304	HP-1008	Outback	3.0L H6 F/I	33-2304	HP-1004
Legacy IV	3.0L H6 F/I	33-2304	HP-1004	Tribeca	3.6L H6 F/I	33-2304	HP-1004
Outback	2.0L H4 DSL	33-2304		<b>2008 SUBARU</b>			
Outback	2.5L H4 F/I	33-2304	HP-1008	Forester	2.0L H4 DSL	33-2304	
Outback	3.0L H6 F/I	33-2304	HP-1004	Forester	2.0L H4 F/I - From 4/08	33-2304	
Tribeca	3.6L H6 F/I	33-2304	HP-1004	Forester	2.5L H4 F/I	33-2075	HP-1008
<b>2007 SUBARU</b>				<b>2005 SUBARU</b>			
B9 Tribeca	3.0L H6 F/I	33-2304	HP-1004	Baja	2.5L H4 F/I	33-2075	HP-1008
Forester	2.5L H4 F/I	33-2075	HP-1008	Baja Sport	2.5L H4 F/I	33-2154	HP-1015
				Forester	2.0L H4 F/I	33-2232	
				Forester	2.5L H4 F/I	33-2075	HP-1008
						33-2075 ♦	HP-1008
				Forester	2.5L H4 F/I - Non-US, exc. Turbo	33-2154	HP-1008
				Forester	2.5L H4 F/I - Non-US, Turbo	33-2075	HP-1008
				Impreza	1.6L H4 F/I - 95BHP	33-2154	
				Impreza	2.0L H4 F/I		HP-1008
				Impreza	2.0L H4 F/I - exc. Turbo	33-2154 ♦	HP-1008
				Impreza	2.0L H4 F/I - Turbo	33-2232 ♦	HP-1008
				Impreza	2.5L H4 F/I	33-2232	HP-1015
				Impreza WRX	2.0L H4 F/I		HP-1008
				Impreza WRX	2.0L H4 F/I - Non-US, exc. Turbo	33-2154 ♦	HP-1008
				Impreza WRX	2.0L H4 F/I - Non-US, Turbo	33-2232 ♦	HP-1008
				Impreza WRX	2.0L H4 F/I - US	33-2075 ♦	HP-1008
				Impreza WRX STi	2.0L H4 F/I	33-2154 ♦	HP-1008
				Impreza WRX STi	2.5L H4 F/I	33-2232 ♦	HP-1008
				Legacy	2.5L H4 F/I	33-2304	HP-1008
				Legacy GT	2.5L H4 F/I	33-2304 ♦	HP-1008
				Legacy IV	2.0L H4 F/I - 138BHP, 165BHP	33-2304	
				Legacy IV	2.5L H4 F/I		HP-1008
				Legacy IV	2.5L H4 F/I - 165BHP	33-2304	HP-1008

\*Indicates 2 filters required

♦ - Intake kit available

Applications updated daily at [knfilters.com](http://knfilters.com) ®

Partial Listing - Complete List of Vehicles and Applications at [knfilters.com](http://knfilters.com)

# SUBARU

# AIR & OIL FILTERS

Vehicle	Engine Type	Air Filter	Oil Filter	Vehicle	Engine Type	Air Filter	Oil Filter
<b>2005 SUBARU</b>				<b>2003 SUBARU</b>			
Legacy IV	3.0L H6 F/I	33-2304		Legacy IV	2.0L H4 F/I - 138BHP	33-2304	
Outback	2.5L H4 F/I	33-2304	HP-1008	Legacy IV	2.5L H4 F/I - 165BHP	33-2304	
Outback	3.0L H6 F/I	33-2304	HP-1004	Legacy IV	3.0L H6 F/I	33-2304	
Outback XT	2.5L H4 F/I	33-2304	HP-1008	Outback	2.5L H4 F/I	33-2154	HP-1008
<b>2004 SUBARU</b>				Outback	2.5L H4 F/I - Non-US, 156BHP	33-2154	HP-1008
Baja	2.5L H4 F/I	33-2075	HP-1008	Outback	2.5L H4 F/I - Non-US, 165BHP	33-2304	HP-1008
Baja Sport	2.5L H4 F/I	33-2154	HP-1015	Outback	3.0L H6 F/I	33-2232	HP-1004
Forester	2.0L H4 F/I	33-2232		Outback	3.0L H6 F/I - Non-US, 209BHP	33-2232	HP-1004
Forester	2.5L H4 F/I		HP-1008	Outback	3.0L H6 F/I - Non-US, 245BHP	33-2304	HP-1004
Forester	2.5L H4 F/I - exc. Turbo	33-2154	HP-1008	<b>2002 SUBARU</b>			
Forester	2.5L H4 F/I - Turbo	33-2075 ♦	HP-1008	Forester	2.0L H4 F/I	33-2232	
Impreza	1.6L H4 F/I - 95BHP	33-2154		Forester	2.5L H4 F/I	33-2154	HP-1015
Impreza	2.0L H4 F/I		HP-1008	Forester	2.5L H4 F/I - Non-US, Turbo	33-2154	HP-1015
Impreza	2.0L H4 F/I - exc. Turbo	33-2154 ♦	HP-1008	Forester	2.5L H4 F/I - Turbo, Non-US	33-2075	HP-1015
Impreza	2.0L H4 F/I - Turbo	33-2232 ♦	HP-1008	Impreza	1.6L H4 F/I - 95BHP	33-2154	
Impreza	2.5L H4 F/I	33-2154	HP-1015	Impreza	2.0L H4 F/I		HP-1015
Impreza WRX	2.0L H4 F/I		HP-1008	Impreza	2.0L H4 F/I - exc. Turbo	33-2154 ♦	HP-1015
Impreza WRX	2.0L H4 F/I - Non-US, exc. Turbo	33-2154 ♦	HP-1008	Impreza	2.0L H4 F/I - Turbo	33-2232 ♦	HP-1015
Impreza WRX	2.0L H4 F/I - Non-US, Turbo	33-2232 ♦	HP-1008	Impreza	2.5L H4 F/I	33-2154	HP-1015
Impreza WRX	2.0L H4 F/I - US	33-2075 ♦	HP-1008	Impreza RS	2.5L H4 F/I	33-2154	HP-1015
Impreza WRX STi	2.0L H4 F/I	33-2154 ♦	HP-1008	Impreza WRX	2.0L H4 F/I	33-2232 ♦	HP-1015
Impreza WRX STi	2.5L H4 F/I	33-2075 ♦	HP-1008	Impreza WRX STi	2.0L H4 F/I	33-2232 ♦	HP-1015
Legacy	2.5L H4 F/I		HP-1008	Justy II	1.3L H4 F/I	E-9209	
Legacy	2.5L H4 F/I - OEM 16546AA020	33-2232	HP-1008	Legacy	2.5L H4 F/I		HP-1015
Legacy	2.5L H4 F/I - OEM 16546AA070	33-2154	HP-1008	Legacy	2.5L H4 F/I - OEM 16546AA020	33-2232	HP-1015
Legacy IV	2.0L H4 F/I - 138BHP	33-2304		Legacy	2.5L H4 F/I - OEM 16546AA070	33-2154	HP-1015
Legacy IV	2.5L H4 F/I - 165BHP	33-2304		Legacy III	2.0L H4 F/I	33-2154	
Legacy IV	3.0L H6 F/I	33-2304		Legacy III	2.5L H4 F/I	33-2154	HP-1015
Outback	2.5L H4 F/I		HP-1008	Outback	2.5L H4 F/I	33-2154	HP-1008
Outback	2.5L H4 F/I - Calif.	33-2075	HP-1008	Outback	3.0L H6 F/I	33-2232	HP-1004
Outback	2.5L H4 F/I - exc. Calif	33-2154	HP-1008	<b>2001 SUBARU</b>			
Outback	2.5L H4 F/I - Non-US	33-2304	HP-1008	Forester	2.0L H4 F/I	33-2232	
Outback	3.0L H6 F/I		HP-1004	Forester	2.5L H4 F/I	33-2154	HP-1015
Outback	3.0L H6 F/I - 245BHP, Non-US	33-2304	HP-1004	Impreza	1.6L H4 F/I - 95BHP	33-2154	
Outback	3.0L H6 F/I - Non-US, 245BHP	33-2304	HP-1004	Impreza	2.0L H4 F/I - exc. Turbo	33-2154 ♦	
Outback	3.0L H6 F/I - VDC	33-2075	HP-1004	Impreza	2.0L H4 F/I - Turbo	33-2232 ♦	
<b>2003 SUBARU</b>				Impreza	2.2L H4 F/I	33-2154	HP-1015
Baja	2.5L H4 F/I	33-2154	HP-1015	Impreza	2.5L H4 F/I	33-2154	HP-1015
Forester	2.0L H4 F/I	33-2232		Impreza WRX	2.0L H4 F/I	33-2232 ♦	
Forester	2.5L H4 F/I	33-2154	HP-1015	Impreza WRX	2.2L H4 F/I	33-2154	
Forester	2.5L H4 F/I - Non-US, Turbo	33-2154	HP-1015	Justy II	1.3L H4 F/I	E-9209	
Forester	2.5L H4 F/I - Turbo, Non-US	33-2075	HP-1015	Legacy	2.5L H4 F/I		HP-1015
Impreza	1.6L H4 F/I - 95BHP	33-2154		Legacy	2.5L H4 F/I - OEM 16546AA020	33-2232	HP-1015
Impreza	2.0L H4 F/I		HP-1015	Legacy	2.5L H4 F/I - OEM 16546AA070	33-2154	HP-1015
Impreza	2.0L H4 F/I - exc. Turbo	33-2154 ♦	HP-1015	Legacy III	2.0L H4 F/I	33-2154	
Impreza	2.0L H4 F/I - Turbo	33-2232 ♦	HP-1015	Legacy III	2.5L H4 F/I	33-2154	HP-1015
Impreza	2.5L H4 F/I	33-2154	HP-1015	Outback	2.5L H4 F/I	33-2154	HP-1008
Impreza WRX	2.0L H4 F/I	33-2232 ♦	HP-1015	Outback	3.0L H6 F/I	33-2232	HP-1004
Impreza WRX STi	2.0L H4 F/I	33-2154 ♦	HP-1015	<b>2000 SUBARU</b>			
Justy II	1.3L H4 F/I	E-9209		Forester	2.0L H4 F/I	33-2232	
Legacy	2.5L H4 F/I		HP-1015	Forester	2.5L H4 F/I	33-2154	HP-1015
Legacy	2.5L H4 F/I - OEM 16546AA020	33-2232	HP-1015	Impreza	1.6L H4 F/I - 90BHP	33-2232	
Legacy	2.5L H4 F/I - OEM 16546AA070	33-2154	HP-1015	Impreza	1.6L H4 F/I - 95BHP	33-2154	
Legacy III	2.0L H4 F/I	33-2154		Impreza	1.8L H4 F/I	33-2232	HP-1015
Legacy III	2.5L H4 F/I	33-2154	HP-1015	Impreza	2.0L H4 F/I	33-2232 ♦	

\*Indicates 2 filters required

♦ - Intake kit available

Applications updated daily at [knfilters.com](http://knfilters.com) ®

# AIR & OIL FILTERS

# SUBARU

Vehicle	Engine Type	Air Filter	Oil Filter	Vehicle	Engine Type	Air Filter	Oil Filter
<b>2000 SUBARU</b>				<b>1998 SUBARU</b>			
Impreza	2.2L H4 F/I	33-2154	HP-1015	Legacy III	2.0L H4 F/I	33-2154	
Impreza	2.5L H4 F/I	33-2154	HP-1015	Legacy III	2.5L H4 F/I	33-2154	HP-1015
Impreza WRX	2.0L H4 F/I	33-2232 ♦		Legacy Outback	2.5L H4 F/I	33-2232	HP-1015
Justy II	1.3L H4 F/I	E-9209		<b>1997 SUBARU</b>			
Legacy	2.5L H4 F/I		HP-1015	Forester	2.0L H4 F/I	33-2232	
Legacy	2.5L H4 F/I - OEM 16546AA020	33-2232	HP-1015	Forester	2.5L H4 F/I	33-2232	
Legacy	2.5L H4 F/I - OEM 16546AA070	33-2154	HP-1015	Impreza	1.6L H4 F/I - 90BHP	33-2232	
Legacy III	2.0L H4 F/I	33-2154		Impreza	1.8L H4 F/I	33-2232	HP-1015
Legacy III	2.5L H4 F/I	33-2154	HP-1015	Impreza	2.0L H4 F/I	33-2232 ♦	
Outback	2.5L H4 F/I	33-2154	HP-1015	Impreza	2.2L H4 F/I		HP-1015
Outback	3.0L H6 F/I	33-2232		Justy II	1.3L H4 F/I	E-9209	
<b>1999 SUBARU</b>				Legacy	2.2L H4 F/I	33-2232	HP-1015
Forester	2.0L H4 F/I	33-2232		Legacy	2.5L H4 F/I		HP-1015
Forester	2.5L H4 F/I		HP-1015	Legacy	2.5L H4 F/I - OEM 16546AA020	33-2232	HP-1015
Forester	2.5L H4 F/I - OEM 16546AA020	33-2232	HP-1015	Legacy	2.5L H4 F/I - OEM 16546AA070	33-2154	HP-1015
Forester	2.5L H4 F/I - OEM 16546AA070	33-2154	HP-1015	Legacy II	2.0L H4 F/I	33-2232	
Impreza	1.6L H4 F/I - 90BHP	33-2232		Legacy II	2.2L H4 F/I	33-2232	HP-1015
Impreza	1.6L H4 F/I - 95BHP	33-2154		Legacy II	2.5L H4 F/I	33-2232	HP-1015
Impreza	1.8L H4 F/I	33-2232	HP-1015	Legacy Outback	2.5L H4 F/I	33-2232	HP-1015
Impreza	2.0L H4 F/I	33-2232 ♦		SVX	3.3L H6 F/I	33-2232	HP-1004
Impreza	2.2L H4 F/I		HP-1015	<b>1996 SUBARU</b>			
Impreza	2.2L H4 F/I - OEM 16546AA020	33-2232	HP-1015	Impreza	1.6L H4 F/I - 90BHP	33-2232	
Impreza	2.2L H4 F/I - OEM 16546AA070	33-2154	HP-1015	Impreza	1.8L H4 F/I	33-2232	HP-1015
Impreza	2.5L H4 F/I		HP-1015	Impreza	2.0L H4 F/I	33-2232 ♦	
Impreza	2.5L H4 F/I - OEM 16546AA020	33-2075	HP-1015	Impreza	2.2L H4 F/I		HP-1015
Impreza	2.5L H4 F/I - OEM 16546AA070	33-2154	HP-1015	Justy II	1.3L H4 F/I	E-9209	
Justy II	1.3L H4 F/I	E-9209		Legacy	2.2L H4 F/I	33-2232	HP-1015
Legacy	2.2L H4 F/I		HP-1015	Legacy	2.5L H4 F/I		HP-1015
Legacy	2.2L H4 F/I - OEM 16546AA020	33-2232	HP-1015	Legacy	2.5L H4 F/I - OEM 16546AA020	33-2232	HP-1015
Legacy	2.2L H4 F/I - OEM 16546AA070	33-2154	HP-1015	Legacy	2.5L H4 F/I - OEM 16546AA070	33-2154	HP-1015
Legacy	2.5L H4 F/I		HP-1015	Legacy II	2.0L H4 F/I	33-2232	
Legacy	2.5L H4 F/I - OEM 16546AA020	33-2232	HP-1015	Legacy II	2.2L H4 F/I	33-2232	HP-1015
Legacy	2.5L H4 F/I - OEM 16546AA070	33-2154	HP-1015	Legacy II	2.5L H4 F/I	33-2232	HP-1015
Legacy II	2.0L H4 F/I	33-2232		Legacy Outback	2.5L H4 F/I	33-2232	HP-1015
Legacy II	2.2L H4 F/I	33-2232	HP-1015	SVX	3.3L H6 F/I	33-2232	HP-1004
Legacy II	2.5L H4 F/I	33-2232	HP-1015	<b>1995 SUBARU</b>			
Legacy III	2.0L H4 F/I	33-2154		Impreza	1.6L H4 F/I - 90BHP	33-2232	
Legacy III	2.5L H4 F/I	33-2154	HP-1015	Impreza	1.8L H4 F/I	33-2232	HP-1015
<b>1998 SUBARU</b>				Impreza	2.0L H4 F/I	33-2232 ♦	
Forester	2.0L H4 F/I	33-2232		Impreza	2.2L H4 F/I		HP-1015
Forester	2.5L H4 F/I	33-2232	HP-1015	Justy I	1.0L L3 CARB	E-1050	
Impreza	1.6L H4 F/I - 90BHP	33-2232		Justy II	1.3L H4 F/I	E-9209	
Impreza	1.6L H4 F/I - 95BHP	33-2154		Legacy	2.2L H4 F/I	33-2232	HP-1015
Impreza	1.8L H4 F/I	33-2232	HP-1015	Legacy II	2.0L H4 F/I	33-2232	
Impreza	2.0L H4 F/I	33-2232 ♦		Legacy II	2.2L H4 F/I	33-2232	HP-1015
Impreza	2.2L H4 F/I		HP-1015	SVX	3.3L H6 F/I	33-2232	HP-1004
Impreza	2.5L H4 F/I		HP-1015	<b>1994 SUBARU</b>			
Justy II	1.3L H4 F/I	E-9209		Impreza	1.6L H4 F/I - 90BHP	33-2232	
Legacy	2.2L H4 F/I	33-2232	HP-1015	Impreza	1.8L H4 F/I	33-2232	HP-1015
Legacy	2.5L H4 F/I		HP-1015	Impreza	2.0L H4 F/I	33-2232 ♦	
Legacy	2.5L H4 F/I - OEM 16546AA020	33-2232	HP-1015	Justy	1.2L L3 F/I		HP-1008
Legacy	2.5L H4 F/I - OEM 16546AA070	33-2154	HP-1015	Justy I	1.0L L3 CARB	E-1050	
Legacy II	2.0L H4 F/I	33-2232		Justy I	1.2L L3 CARB	E-2630	HP-1008
Legacy II	2.2L H4 F/I	33-2232	HP-1015	Legacy	2.2L H4 F/I - exc. Turbo		HP-1015
Legacy II	2.5L H4 F/I	33-2232	HP-1015	Legacy	2.2L H4 F/I - Turbo	33-2232	HP-1015
Legacy II	2.5L H4 F/I	33-2232	HP-1015	Legacy I	1.8L H4 F/I	33-2232	
Legacy II	2.5L H4 F/I	33-2232	HP-1015	Legacy I	2.0L H4 F/I	33-2232	
Legacy II	2.5L H4 F/I	33-2232	HP-1015	Legacy I	2.2L H4 F/I	33-2232	HP-1015
Legacy II	2.5L H4 F/I	33-2232	HP-1015	Legacy II	2.0L H4 F/I	33-2232	

\*Indicates 2 filters required      ♦ - Intake kit available      Applications updated daily at [knfilters.com](http://knfilters.com) ®

**Partial Listing - Complete List of Vehicles and Applications at [knfilters.com](http://knfilters.com)**

# SUBARU

# AIR & OIL FILTERS

Vehicle	Engine Type	Air Filter	Oil Filter
<b>1994 SUBARU</b>			
Legacy II	2.2L H4 F/I	33-2232	HP-1015
Libero	1.2L L3 F/I	E-2630	
Loyale	1.8L H4 F/I	33-2232	HP-2008
SVX	3.3L H6 F/I	33-2232	HP-1004
<b>1993 SUBARU</b>			
Impreza	1.6L H4 F/I - 90BHP	33-2232	
Impreza	1.8L H4 F/I	33-2232	HP-1015
Justy	1.2L L3 F/I		HP-1008
Justy I	1.0L L3 CARB	E-1050	
Justy I	1.2L L3 CARB	E-2630	HP-1008
Legacy	2.2L H4 F/I - exc. Turbo		HP-1015
Legacy	2.2L H4 F/I - Turbo	33-2232	HP-1015
Legacy I	1.8L H4 F/I	33-2232	
Legacy I	2.0L H4 F/I	33-2232	
Legacy I	2.2L H4 F/I	33-2232	HP-1015
Libero	1.2L L3 F/I	E-2630	
Loyale	1.8L H4 F/I	33-2232	HP-2008
SVX	3.3L H6 F/I	33-2232	HP-1004
<b>1992 SUBARU</b>			
Impreza	1.6L H4 F/I - 90BHP	33-2232	
Justy	1.2L L3 F/I	E-2630	HP-1008
Justy I	1.2L L3 CARB	E-2630	HP-1008
Legacy	1.8L CARB - GL 4WD	33-2615	
Legacy	2.2L H4 F/I - exc. Turbo		HP-1015
Legacy	2.2L H4 F/I - Turbo	33-2232	HP-1015
Legacy I	1.8L H4 F/I	33-2232	
Legacy I	2.0L H4 F/I	33-2232	
Legacy I	2.2L H4 F/I	33-2232	HP-1015
Leone II	1.8L L4 CARB	E-2970	
Leone II	1.8L L4 F/I	33-2010	
Libero	1.2L L3 F/I	E-2630	
Loyale	1.8L H4 F/I	33-2232	HP-2008
SVX	3.3L H6 F/I	33-2232	HP-1004
<b>1991 SUBARU</b>			
Justy	1.2L L3 CARB	E-2630	HP-1008
Justy	1.2L L3 F/I		HP-1008
Justy I	1.2L L3 CARB	E-2630	HP-1008
Legacy	1.8L CARB - GL 4WD	33-2615	
Legacy	2.2L H4 F/I	33-2232	HP-1015
Legacy I	1.8L H4 F/I	33-2232	
Legacy I	2.0L H4 F/I	33-2232	
Legacy I	2.2L H4 F/I	33-2232	HP-1015
Leone II	1.8L L4 CARB	E-2970	
Leone II	1.8L L4 F/I	33-2010	
Libero	1.2L L3 F/I	E-2630	
Loyale	1.8L H4 F/I	33-2232	HP-2008
XT6	2.7L H6 F/I	33-2010	HP-2008
<b>1990 SUBARU</b>			
Justy	1.2L L3 CARB	E-2630	HP-1008
Justy	1.2L L3 F/I		HP-1008
Justy I	1.0L L3 CARB	E-1050	
Justy I	1.2L L3 CARB	E-2630	HP-1008
Legacy	1.8L CARB - GL 4WD	33-2615	
Legacy	2.2L H4 F/I	33-2232	HP-1015
Legacy I	1.8L H4 F/I	33-2232	
Legacy I	2.0L H4 F/I	33-2232	
Legacy I	2.2L H4 F/I	33-2232	HP-1015
Leone II	1.8L L4 CARB	E-2970	
Leone II	1.8L L4 F/I	33-2010	
Libero	1.2L L3 F/I	E-2630	
Loyale	1.8L H4 F/I	33-2232	HP-2008
XT	1.8L H4 CARB	E-2970	

Vehicle	Engine Type	Air Filter	Oil Filter
<b>1990 SUBARU</b>			
XT	1.8L H4 F/I	33-2010	HP-2008
<b>1989 SUBARU</b>			
DL	1.8L H4 F/I	33-2010	HP-2008
GL	1.8L H4 CARB	E-2970	HP-2008
GL	1.8L H4 F/I	33-2010	HP-2008
Justy	1.2L L3 CARB	E-2630	HP-1008
Justy I	1.2L L3 CARB	E-2630	HP-1008
Legacy	1.8L H4 CARB - GL 4WD	33-2615	
Legacy I	1.8L H4 F/I	33-2232	
Legacy I	2.2L H4 F/I	33-2232	
Leone II	1.8L L4 CARB	E-2970	
RX	1.8L H4 F/I	33-2232	HP-2008
XT	1.8L H4 CARB	E-2970	
XT	1.8L H4 F/I	33-2010	HP-2008
XT	2.7L H6 F/I	33-2010	HP-2008
<b>1988 SUBARU</b>			
DL	1.8L H4 F/I	33-2010	HP-2008
GL	1.8L H4 CARB	E-2970	HP-2008
GL	1.8L H4 F/I	33-2010	HP-2008
Justy	1.2L L3 CARB	E-2630	HP-1008
Justy I	1.2L L3 CARB	E-2630	HP-1008
Leone II	1.8L L4 CARB	E-2970	
Leone II	1.8L L4 F/I	33-2010	
RX	1.8L H4 F/I	33-2232	HP-2008
XT	1.8L H4 CARB	E-2970	
XT	1.8L H4 F/I	33-2010	HP-2008
XT	2.7L H6 F/I	33-2010	HP-2008
<b>1987 SUBARU</b>			
Brat	1.8L H4 CARB	E-2970	HP-2008
DL	1.8L H4 CARB	E-2970	HP-2008
DL	1.8L H4 F/I	33-2010	HP-2008
GL	1.6L H4 CARB		HP-2008
GL	1.8L H4 CARB	E-2970	HP-2008
GL	1.8L H4 F/I	33-2010	HP-2008
Justy I	1.2L L3 CARB	E-2630	HP-1004
RX	1.8L H4 F/I	33-2232	HP-2008
XT	1.8L H4 CARB	E-2970	
XT	1.8L H4 F/I	33-2010	HP-2008
<b>1986 SUBARU</b>			
Brat	1.8L H4 CARB	E-2970	HP-2008
DL	1.8L H4 CARB	E-2970	HP-2008
GL	1.8L H4 CARB	E-2970	HP-2008
GL	1.8L H4 F/I	33-2010	HP-2008
RX	1.8L H4 F/I	33-2232	HP-2008
XT	1.8L H4 CARB	E-2970	
XT	1.8L H4 F/I	33-2010	HP-2008
<b>1985 SUBARU</b>			
Brat	1.8L H4 CARB	E-2970	HP-2008
DL	1.8L H4 CARB	E-2970	HP-2008
GL	1.8L H4 CARB	E-2970	HP-2008
GL	1.8L H4 F/I	33-2010	HP-2008
Leone II	1.8L L4 CARB	E-2970	
XT	1.8L H4 F/I	33-2010	HP-2008
<b>1984 SUBARU</b>			
Brat	1.8L H4 CARB	E-2970	HP-2008
Brat	1.8L H4 F/I		HP-2008
DL	1.8L H4 CARB	E-2970	HP-2008
GL	1.8L H4 CARB	E-2970	HP-2008
GL	1.8L H4 F/I	33-2010	HP-2008
Justy I	1.0L L3 CARB	E-1050	

\*Indicates 2 filters required

◆ - Intake kit available

Applications updated daily at [knfilters.com](http://knfilters.com) ®



# AIR & OIL FILTERS

# SUBARU

Vehicle	Engine Type	Air Filter	Oil Filter	Vehicle	Engine Type	Air Filter	Oil Filter
<b>1984 SUBARU</b>				<b>2010 SUZUKI</b>			
XT	1.8L H4 F/I	33-2010	HP-2008	Alto V	1.0L L3 F/I	33-2968	
<b>1983 SUBARU</b>				AN400 Burgman	400		KN-131
Brat	1.8L H4 CARB	E-2970	HP-2008	AN400 Z Burgman	400		KN-131
GL	1.8L H4 CARB	E-2970	HP-2008	AN650 A Burgman Executive	650		KN-138
GL	1.8L H4 F/I		HP-2008				KN-138C
<b>1982 SUBARU</b>				AN650 Burgman	650		KN-138
Brat	1.8L H4 CARB	E-2970	HP-2008				KN-138C
DL	1.8L H4 CARB	E-2970	HP-2008	DL650 V-Strom	650	SU-1002	KN-138
<b>1981 SUBARU</b>						SU-1002	KN-138C
GL	1.8L H4 CARB	E-2970	HP-2005	DL1000 V-Strom	1000	SU-1002	KN-138
GLF	1.8L H4 CARB	E-2970				SU-1002	KN-138C
<b>1980 SUBARU</b>				DR200SE	200		KN-132
Brat	1.8L H4 CARB	E-2970	HP-2005	DR650SE	650	SU-6596	KN-137
GL	1.6L H4 CARB	E-2970	HP-2005	DRZ125	125		KN-132
GLF	1.6L H4 CARB	E-2970	HP-2005	DRZ125L	125		KN-132
<b>1975 SUBARU</b>				DRZ400S	400		KN-139
DL	1.4L H4 CARB	E-2630	HP-2005	DRZ400SM	400		KN-139
<b>1967 SUNBEAM</b>				Equator	2.5L L4 F/I		HP-1008
Alpine	1.7L L4 CARB		HP-2004	Equator	4.0L V6 F/I	33-2286	HP-1010
Tiger	260 V8 CARB		HP-3001	Grand Vitara	1.6L L4 F/I	33-2361	
Tiger	289 V8 CARB		HP-3001	Grand Vitara	1.9L L4 DSL	33-2361	
<b>1966 SUNBEAM</b>				Grand Vitara	2.0L L4 F/I	33-2361	
Alpine	1.7L L4 CARB		HP-2004	Grand Vitara	2.4L L4 F/I	33-2429	HP-1003
Tiger	260 V8 CARB		HP-3001	Grand Vitara	3.2L V6 F/I	33-2429	HP-1017
Tiger	289 V8 CARB		HP-3001	GSF650 Bandit	650	SU-6505	KN-138
<b>1965 SUNBEAM</b>						SU-6505	KN-138C
Alpine	1.7L L4 CARB		HP-2004	GSF1250 Bandit	1250	SU-6505	KN-138
Tiger	260 V8 CARB		HP-3001			SU-6505	KN-138C
Tiger	289 V8 CARB		HP-3001	GSF1250 Bandit S	1250		KN-138
<b>1964 SUNBEAM</b>							KN-138C
Alpine	1.6L L4 CARB	E-2330	HP-2004	GSX650F	650		KN-138
<b>1963 SUNBEAM</b>							KN-138C
Alpine	1.6L L4 CARB - Spin On		HP-2004	GSX1300R Hayabusa	1340	SU-1308	KN-138
<b>2011 SUZUKI</b>						SU-1308	KN-138C
Alto V	1.0L L3 F/I	33-2968		GSX1300R Hayabusa	1340 - Race Specific	SU-1308R	KN-138
Boulevard S40	650	SU-6595		GSXR600	600	SU-7506	KN-138
DL650 V-Strom	650	SU-1002				SU-7506	KN-138C
DRZ400S	400	SU-4000		GSXR600	600 - Race Specific	SU-7506R	KN-138
Equator	2.5L L4 F/I		HP-1008	GSXR750	750	SU-7506	KN-138
Equator	4.0L V6 F/I	33-2286	HP-1010			SU-7506	KN-138C
Grand Vitara	1.6L L4 F/I	33-2361		GSXR750	750 - Race Specific	SU-7506R	KN-138
Grand Vitara	1.9L L4 DSL	33-2361		GSXR1000	1000	SU-1009	KN-138
Grand Vitara	2.4L L4 F/I	33-2429	HP-1003			SU-1009	KN-138C
Grand Vitara	3.2L V6 F/I		HP-1017	GSXR1000	1000 - Race Specific	SU-1009R	KN-138
GSX1250FA	1250	SU-6505		GZ125 Marauder	125		KN-131
GSX1300R Hayabusa	1340	SU-1308		GZ250 Marauder	250		KN-136
GSX1300R Hayabusa	1340 - Race Specific	SU-1308R		Kizashi	2.4L L4 F/I	33-2441	HP-1003
GSXR1000	1000	SU-1009		RM85	85	SU-8086	
GSXR1000	1000 - Race Specific	SU-1009R		RM85L	85	SU-8086	
Kizashi	2.4L L4 F/I	33-2441	HP-1003	RMX450Z	450		KN-207
LTA400F KingQuad Auto 4x4	400	SU-5002		RMZ250	250	YA-2506XD	KN-207
Splash	1.0L L3 F/I	33-2949		RMZ450	450	YA-2506XD	KN-207
Splash	1.2L L4 F/I	33-2949		RV125 Van Van	125		KN-132
Splash	1.3L L4 DSL	33-2952		SFV650 Gladius	650	SU-6509	KN-138
SX4	1.6L L4 F/I	33-2075				SU-6509	KN-138C
SX4	2.0L L4 F/I		HP-1003	Splash	1.0L L3 F/I	33-2949	
				Splash	1.2L L4 F/I	33-2949	
				Splash	1.3L L4 DSL	33-2952	
				SV650 SA	650		KN-138
							KN-138C
				SV650S	650		KN-138
							KN-138C

\*Indicates 2 filters required    ♦ - Intake kit available    Applications updated daily at [knfilters.com](http://knfilters.com) ®

**Partial Listing - Complete List of Vehicles and Applications at [knfilters.com](http://knfilters.com)**

# SUZUKI

# AIR & OIL FILTERS

Vehicle	Engine Type	Air Filter	Oil Filter	Vehicle	Engine Type	Air Filter	Oil Filter
<b>2010 SUZUKI</b>				<b>2009 SUZUKI</b>			
Swift III	1.3L L4 DSL	33-2953		Boulevard S50	800	SU-7086	KN-138C
Swift III	1.3L L4 F/I - VIN JSA	33-2826 ♦		Boulevard S83	1400	SU-1487	KN-138
Swift III	1.3L L4 F/I - Vin JSM	33-2824 ♦				SU-1487	KN-138C
Swift III	1.5L L4 F/I	33-2824		DL650 V-Strom	650	SU-1002	KN-138
Swift III	1.6L L4 F/I	33-2824				SU-1002	KN-138C
SX4	1.5L L4 F/I	33-2954		DL1000 V-Strom	1000	SU-1002	KN-138
SX4	1.6L L4 F/I - 109BHP	33-2954				SU-1002	KN-138C
SX4	1.6L L4 F/I - 120BHP	33-2075		DR125SM	125		KN-131
SX4	2.0L L4 F/I		HP-1003	DR200SE	200		KN-132
TU250X	250		KN-136	DR650SE	650	SU-6596	KN-137
UH125 Burgman	125		KN-131	DRZ125	125	KA-1203	KN-132
UH200 Burgman	200		KN-131	DRZ125L	125	KA-1203	KN-132
UX125 Sixteen	125		KN-131	DRZ400S	400	SU-4000	KN-139
UX150 Sixteen	150		KN-131	DRZ400SM	400	SU-4000	KN-139
<b>2009 SUZUKI</b>				Equator	2.5L L4 F/I	33-2324	HP-1008
Alto V	1.0L L3 F/I	33-2968		Equator	4.0L V6 F/I	33-2286	HP-1010
AN400 Burgman	400	SU-4007	KN-131	Grand Vitara	1.6L L4 F/I	33-2361	
AN400 Z Burgman	400		KN-131	Grand Vitara	1.9L L4 DSL	33-2361	
AN650 Burgman	650		KN-138	Grand Vitara	2.0L L4 F/I	33-2361	
			KN-138C	Grand Vitara	2.4L L4 F/I	33-2429	HP-1003
AN650 Burgman Executive	650		KN-138	Grand Vitara	3.2L V6 F/I	33-2429	HP-1017
			KN-138C	GS500F	500	SU-5589	KN-133
			KN-138	GS500H	500		KN-133
Boulevard C50	800		KN-138	GSF650 Bandit	650	SU-6505	KN-138
			KN-138C			SU-6505	KN-138C
Boulevard C50 Custom Volusia	800		KN-138	GSF650 Bandit S	650	SU-6505	KN-138
			KN-138C			SU-6505	KN-138C
Boulevard C50 Special Edition	800		KN-138	GSF1250 Bandit	1250	SU-6505	KN-138
			KN-138C			SU-6505	KN-138C
			KN-138	GSF1250 Bandit S	1250	SU-6505	KN-138
			KN-138C			SU-6505	KN-138C
Boulevard C50 Volusia	800		KN-138	GSR600	600	SU-6006	KN-138
			KN-138C			SU-6006	KN-138C
Boulevard C50T	800		KN-138	GSX650F	650	SU-6505	KN-138
			KN-138C			SU-6505	KN-138C
Boulevard C90	1500	SU-1598	KN-138	GSX1300BK B-King	1340	SU-1348	KN-138
		SU-1598	KN-138C			SU-1348	KN-138C
Boulevard C90T	1500	SU-1598	KN-138	GSX1300R Hayabusa	1340	SU-1308	KN-138
		SU-1598	KN-138C			SU-1308	KN-138C
Boulevard C109R	1800		KN-138	GSX1300R Hayabusa 1340 - Race Specific		SU-1308R	KN-138
			KN-138C	GSXR600	600	SU-7506	KN-138
Boulevard C109RT	1800		KN-138			SU-7506	KN-138C
			KN-138C	GSXR600	600 - Race Specific	SU-7506R	KN-138
Boulevard M50	800		KN-138	GSXR750	750	SU-7506	KN-138
			KN-138C			SU-7506	KN-138C
Boulevard M50 Special Edition	800		KN-138	GSXR750	750 - Race Specific	SU-7506R	KN-138
			KN-138C	GSXR1000	1000	SU-1009	KN-138
Boulevard M90	1500		KN-138			SU-1009	KN-138C
			KN-138C	GSXR1000	1000 - Race Specific	SU-1009R	KN-138
Boulevard M109R	1773	SU-1806	KN-138	GZ250	250		KN-136
		SU-1806	KN-138C	GZ250 Marauder	250		KN-136
Boulevard M109R Ltd. Ed.	1773	SU-1806	KN-138	Jimny	1.3L L4 F/I	33-2162	
		SU-1806	KN-138C	Jimny	1.5L L4 DSL	33-2162	
Boulevard M109R2	1773	SU-1806	KN-138	LS650 Savage	650		KN-137
		SU-1806	KN-138C	LTA400F KingQuad Auto 4x4	400	SU-5002	KN-138
		SU-1806	KN-138C			SU-5002	KN-138C
		SU-1806	KN-138	LTA400F KingQuad Auto 4x4 Camo	400	SU-5002	KN-138
		SU-1806	KN-138C			SU-5002	KN-138C
Boulevard S40	650	SU-6595	KN-137	LTA450X KingQuad	450	SU-7005	KN-138
Boulevard S50	800	SU-7086	KN-138	AXi 4x4			

\*Indicates 2 filters required

♦ - Intake kit available

Applications updated daily at [knfilters.com](http://knfilters.com) ®

# AIR & OIL FILTERS

# SUZUKI

Vehicle	Engine Type	Air Filter	Oil Filter	Vehicle	Engine Type	Air Filter	Oil Filter
<b>2009 SUZUKI</b>				<b>2009 SUZUKI</b>			
LTA450X KingQuad AXi 4x4	450	SU-7005	KN-138C	UH125 Burgman	125		KN-131
LTA450X KingQuad AXi 4x4 Camo	450	SU-7005	KN-138	UH200 Burgman	200		KN-131
		SU-7005	KN-138C	UX125 Sixteen	125		KN-131
LTA500XP KingQuad AXI PS	500		KN-138	UX150 Sixteen	150		KN-131
			KN-138C	VL800 Intruder C800	800		KN-138
LTA500XP KingQuad AXI PS Camo	500		KN-138	VLR1800 C1800R Intruder	1800		KN-138C
			KN-138C				KN-138
LTA500XP KingQuad AXI PS Limited	500		KN-138	VLR1800 C1800RT Intruder	1800		KN-138
			KN-138C				KN-138C
LTA750X KingQuad AXi 4x4	750	SU-7005	KN-138	VS1400GLP Intruder	1400		KN-138
		SU-7005	KN-138C	VZ800 Intruder M800	800		KN-138
LTA750X KingQuad AXi 4x4 Camo	750	SU-7005	KN-138	VZ800 Marauder	800		KN-138
		SU-7005	KN-138C	VZ1500 Intruder M1500	1500		KN-138C
LTF250 Ozark	250	SU-2504	KN-132	VZR1800N Intruder M1800R2	1800		KN-138
LTF400F KingQuad 4x4	400	SU-5002	KN-138				KN-138C
		SU-5002	KN-138C	XL-7	3.6L V6 F/I	33-2249	HP-1017
LTF400F KingQuad 4x4 Camo	400	SU-5002	KN-138	<b>2008 SUZUKI</b>			
		SU-5002	KN-138C	Alto IV	1.1L L4 F/I	33-2826	
LTR450 QuadRacer	450	SU-4506	KN-139	AN400 Burgman	400	SU-4007	KN-131
LTZ90 QuadSport	90		KN-131	AN650 Burgman	650		KN-138
LTZ90 QuadSport SE	90		KN-131	AN650 Burgman Executive	650		KN-138
LTZ250 QuadSport	250	SU-2504	KN-132				KN-138C
LTZ400 QuadSport	400	SU-4002	KN-139	Boulevard C50	800	SU-8001	KN-138
RM85	85	SU-8086		Boulevard C50	800	SU-8001	KN-138C
RM85L	85	SU-8086		Custom Volusia			KN-138
RMZ250	250	YA-2506XD	KN-207				KN-138C
RMZ450	450	YA-2506XD	KN-207	Boulevard C50 Limited Edition	800	SU-8001	KN-138
RV125 Van Van	125		KN-132				KN-138C
SFV650 Gladius	650	SU-6509	KN-138	Boulevard C50	800	SU-8001	KN-138
		SU-6509	KN-138C	Limited Edition		SU-8001	KN-138C
Splash	1.0L L3 F/I	33-2949		Boulevard C50	800		KN-138
Splash	1.2L L4 F/I	33-2949		Volusia			KN-138C
Splash	1.3L L4 DSL	33-2952					KN-138C
SV650	650	SU-6503	KN-138	Boulevard C50T	800	SU-8001	KN-138
		SU-6503	KN-138C			SU-8001	KN-138C
SV650S	650	SU-6503	KN-138	Boulevard C90	1500	SU-1598	KN-138
		SU-6503	KN-138C			SU-1598	KN-138C
SV650SF	650	SU-6503	KN-138	Boulevard C90 Black	1500	SU-1598	KN-138
		SU-6503	KN-138C	Boulevard C90T	1500	SU-1598	KN-138
Swift	1.5L L4 F/I	33-2824		Boulevard C109R	1800	SU-1598	KN-138C
Swift III	1.3L L4 DSL	33-2952					KN-138
Swift III	1.3L L4 F/I - VIN JSA	33-2826 ♦		Boulevard C109RT	1800		KN-138
Swift III	1.3L L4 F/I - Vin JSM	33-2824 ♦					KN-138C
Swift III	1.5L L4 F/I	33-2824 ♦		Boulevard C90T	1500	SU-1598	KN-138
Swift III	1.6L L4 F/I	33-2824 ♦				SU-1598	KN-138C
SX4	1.5L L4 F/I	33-2954		Boulevard C109R	1800		KN-138
SX4	1.6L L4 F/I - 109BHP	33-2954		Boulevard C109RT	1800		KN-138C
SX4	1.6L L4 F/I - 120BHP	33-2075					KN-138
SX4	1.9L L4 DSL	33-2399		Boulevard C109T	1800		KN-138C
SX4	2.0L L4 F/I	33-2371	HP-1003				KN-138
TU250X	250		KN-136	Boulevard M50	800	SU-8005	KN-138

\*Indicates 2 filters required      ♦ - Intake kit available      Applications updated daily at [knfilters.com](http://knfilters.com) ®

**Partial Listing - Complete List of Vehicles and Applications at [knfilters.com](http://knfilters.com)**

# SUZUKI

# AIR & OIL FILTERS

Vehicle	Engine Type	Air Filter	Oil Filter	Vehicle	Engine Type	Air Filter	Oil Filter
<b>2008 SUZUKI</b>				<b>2008 SUZUKI</b>			
Boulevard M50	800	SU-8005	KN-138C	Jimny	1.5L L4 DSL	33-2162	
Boulevard M109R	1773	SU-1806	KN-138	LS650 Savage	650		KN-137
		SU-1806	KN-138C	LTA400F KingQuad	400	SU-5002	KN-138
Boulevard M109R Ltd. Ed.	1773	SU-1806	KN-138	Auto 4x4		SU-5002	KN-138C
		SU-1806	KN-138C				
Boulevard M109R2	1773	SU-1806	KN-138	LTA400F KingQuad	400	SU-5002	KN-138
		SU-1806	KN-138C	Auto 4x4 Camo		SU-5002	KN-138C
Boulevard S40	650	SU-6595	KN-137	LTA450X KingQuad	450	SU-7005	KN-138
Boulevard S50	800	SU-7086	KN-138	AXi 4x4		SU-7005	KN-138C
		SU-7086	KN-138C				
Boulevard S83	1400	SU-1487	KN-138	LTA450X KingQuad	450	SU-7005	KN-138
		SU-1487	KN-138C	AXi 4x4 Camo		SU-7005	KN-138C
DL650 V-Strom	650	SU-1002	KN-138				
		SU-1002	KN-138C	LTA700X KingQuad	700		KN-138
DL650 V-Strom Traveller	650	SU-1002	KN-138	4x4			KN-138C
		SU-1002	KN-138C				
DL1000 V-Strom	1000	SU-1002	KN-138	LTA750X KingQuad	750	SU-7005	KN-138
		SU-1002	KN-138C	AXi 4x4		SU-7005	KN-138C
DR125SM	125		KN-131	LTA750X KingQuad	750	SU-7005	KN-138
DR200SE	200		KN-132	AXi 4x4 Camo		SU-7005	KN-138C
DR650SE	650	SU-6596	KN-137				
DRZ125	125	KA-1203	KN-132	LTF250 Ozark	250	SU-2504	KN-132
DRZ125L	125	KA-1203	KN-132	LTF400F KingQuad	400	SU-5002	KN-138
DRZ400E	400	SU-4000	KN-139	4x4		SU-5002	KN-138C
DRZ400S	400	SU-4000	KN-139				
DRZ400SM	400	SU-4000	KN-139				
FL125 SDW Address	250		KN-207				
Forenza	2.0L L4 F/I	33-2330	HP-1001				
Grand Vitara	1.6L L4 F/I	33-2361		LTF400F KingQuad	400	SU-5002	KN-138
Grand Vitara	1.9L L4 DSL	33-2361		4x4 Camo		SU-5002	KN-138C
Grand Vitara	2.0L L4 F/I	33-2361					
Grand Vitara	2.7L V6 F/I	33-2361	HP-1002				
GS500F	500	SU-5589	KN-133	LTR450 QuadRacer	450	SU-4506	KN-139
GS500H	500		KN-133	LTR450 QuadRacer	450	SU-4506	KN-139
GSF650 Bandit	650	SU-6505	KN-138	Limited Edition			
		SU-6505	KN-138C	LTZ90 QuadSport	90		KN-131
GSF650 Bandit S	650	SU-6505	KN-138	LTZ250 QuadSport	250	SU-2504	KN-132
		SU-6505	KN-138C	LTZ400 QuadSport	400	SU-4002	KN-139
GSF1250 Bandit S	1250	SU-6505	KN-138	LTZ400 QuadSport	400	SU-4002	KN-139
		SU-6505	KN-138C	Limited Edition			
GSR600	600	SU-6006	KN-138	Reno	2.0L L4 F/I	33-2330	HP-1001
		SU-6006	KN-138C	RM85	85	SU-8086	
GSX650F	650	SU-6505	KN-138	RM85L	85	SU-8086	
		SU-6505	KN-138C	RM125	125	YA-2506XD	
GSX1300BK B-King	1340	SU-1348	KN-138	RM250	250	YA-2506XD	
		SU-1348	KN-138C	RMZ250	250	YA-2506XD	KN-207
GSX1300R Hayabusa	1340	SU-1308	KN-138	RMZ450	450	YA-2506XD	KN-207
		SU-1308	KN-138C	RV125 Van Van	125		KN-132
GSX1300R Hayabusa	1340 - Race Specific	SU-1308R	KN-138	Splash	1.0L L3 F/I	33-2949	
GSXR600	600	SU-7506	KN-138	Splash	1.2L L4 F/I	33-2949	
		SU-7506	KN-138C	Splash	1.3L L4 DSL	33-2952	
GSXR600	600 - Race Specific	SU-7506R	KN-138	SV650	650	SU-6503	KN-138
GSXR750	750	SU-7506	KN-138			SU-6503	KN-138C
		SU-7506	KN-138C	SV650S	650	SU-6503	KN-138
GSXR750	750 - Race Specific	SU-7506R	KN-138			SU-6503	KN-138C
GSXR1000	1000	SU-1005	KN-138	Swift	1.5L L4 F/I	33-2824	
		SU-1005	KN-138C	Swift III	1.3L L4 DSL	33-2952	
GSXR1000	1000 - Race Specific	SU-1005R	KN-138	Swift III	1.3L L4 F/I - VIN JSA	33-2826 ♦	
GZ250	250		KN-136	Swift III	1.3L L4 F/I - Vin JSM	33-2824 ♦	
GZ250 Marauder	250		KN-136	Swift III	1.5L L4 F/I	33-2824 ♦	
Jimny	1.3L L4 F/I	33-2162		Swift III	1.6L L4 F/I	33-2824 ♦	HP-1001

\*Indicates 2 filters required

♦ - Intake kit available

Applications updated daily at [knfilters.com](http://knfilters.com) ®

# AIR & OIL FILTERS

# SUZUKI

Vehicle	Engine Type	Air Filter	Oil Filter	Vehicle	Engine Type	Air Filter	Oil Filter
<b>2008 SUZUKI</b>				<b>2007 SUZUKI</b>			
SX4	1.5L L4 F/I	33-2954		Boulevard M109R	1773	SU-1806	KN-138
SX4	1.6L L4 F/I	33-2954		Ltd. Ed.			
SX4	1.9L L4 DSL	33-2399				SU-1806	KN-138C
SX4	2.0L L4 F/I	33-2371	HP-1003	Boulevard S40	650	SU-6595	KN-137
UH125 Burgman	125		KN-131	Boulevard S50	800	SU-7086	KN-138
UH200 Burgman	200		KN-131			SU-7086	KN-138C
UX125 Sixteen	125		KN-131	Boulevard S83	1400	SU-1487	KN-138
UX150 Sixteen	150		KN-131			SU-1487	KN-138C
VL800 Intruder C800	800	SU-8001	KN-138	DL650 V-Strom	650	SU-1002	KN-138
		SU-8001	KN-138C			SU-1002	KN-138C
VLR1800 C1800R Intruder	1800		KN-138	DL1000 V-Strom	1000	SU-1002	KN-138
			KN-138C			SU-1002	KN-138C
VS1400GLP Intruder	1400		KN-138	DL1000 V-Strom Touring	1000	SU-1002	KN-138
			KN-138C			SU-1002	KN-138C
VZ800 Intruder M800	800		KN-138	DR125SM	125		KN-131
			KN-138C	DR200SE	200		KN-132
VZ800 Marauder	800		KN-138	DR650SE	650	SU-6596	KN-137
			KN-138C	DRZ125	125	KA-1203	KN-132
VZR1800N Intruder M1800R2	1800	SU-1806	KN-138	DRZ125L	125	KA-1203	KN-132
		SU-1806	KN-138C	DRZ250	250	SU-2501	KN-136
Wagon R Plus	1.0L L4 F/I	33-2826		DRZ400E	400	SU-4000	KN-139
Wagon R Plus	1.2L L4 F/I	33-2826		DRZ400S	400	SU-4000	KN-139
XL-7	3.6L V6 F/I	33-2249	HP-1017	DRZ400SM	400	SU-4000	KN-139
<b>2007 SUZUKI</b>				FL125 SDW Address	250		KN-207
Aerio	2.3L L4 F/I	33-2282	HP-1003	Forenza	2.0L L4 F/I	33-2330	HP-1001
Alto IV	1.1L L4 F/I	33-2826		Grand Vitara	1.6L L4 F/I	33-2361	
AN250 Burgman	250		KN-132	Grand Vitara	1.9L L4 DSL	33-2361	
AN400 Burgman	400	SU-4007	KN-131	Grand Vitara	2.0L L4 F/I	33-2361	
AN650 Burgman	650		KN-138	Grand Vitara	2.7L V6 F/I	33-2361	HP-1002
			KN-138C	GS500	500	SU-5589	KN-133
AN650 Burgman Executive	650		KN-138	GS500F	500	SU-5589	KN-133
			KN-138C	GS500H	500		KN-133
Boulevard C50	800	SU-8001	KN-138	GSF650 Bandit	650	SU-6505	KN-138
		SU-8001	KN-138C			SU-6505	KN-138C
Boulevard C50 Black	800	SU-8001	KN-138	GSF650 Bandit S	650	SU-6505	KN-138
		SU-8001	KN-138C			SU-6505	KN-138C
Boulevard C50 Limited Edition	800	SU-8001	KN-138	GSF1250 Bandit S	1250	SU-6505	KN-138
		SU-8001	KN-138C			SU-6505	KN-138C
Boulevard C50 Volusia	800		KN-138	GSR600	600	SU-6006	KN-138
			KN-138C			SU-6006	KN-138C
Boulevard C50T	800	SU-8001	KN-138	GSX1300BK B-King	1340	SU-1348	KN-138
		SU-8001	KN-138C			SU-1348	KN-138C
Boulevard C90	1500	SU-1598	KN-138	GSX1300R Hayabusa	1300	SU-1399	KN-138
		SU-1598	KN-138C			SU-1399	KN-138C
Boulevard C90 Black	1500	SU-1598	KN-138	GSX1400	1400	SU-1402	KN-138
		SU-1598	KN-138C			SU-1402	KN-138C
Boulevard C90T	1500	SU-1598	KN-138	GSXR600	600	SU-7506	KN-138
		SU-1598	KN-138C			SU-7506	KN-138C
Boulevard C90T	1500	SU-1598	KN-138	GSXR600	600 - Race Specific	SU-7506R	KN-138
		SU-1598	KN-138C	GSXR750	750	SU-7506	KN-138
Boulevard M50	800	SU-8005	KN-138	GSXR750	750 - Race Specific	SU-7506R	KN-138
		SU-8005	KN-138C	GSXR1000	1000	SU-1005	KN-138
Boulevard M50 Limited	800	SU-8005	KN-138			SU-1005	KN-138C
		SU-8005	KN-138C	GSXR1000	1000 - Race Specific	SU-1005R	KN-138
Boulevard M109R	1773	SU-1806	KN-138	GZ250	250		KN-136
		SU-1806	KN-138C	GZ250 Marauder	250		KN-136
				Jimny	1.3L L4 F/I	33-2162	
				Jimny	1.5L L4 DSL	33-2162	
				Liana	1.3L L4 F/I	33-2258	
				Liana	1.6L L4 F/I - OEM	33-2258	
					181mm x 160mm		

\*Indicates 2 filters required    ♦ - Intake kit available    Applications updated daily at [knfilters.com](http://knfilters.com) ®

**Partial Listing - Complete List of Vehicles and Applications at [knfilters.com](http://knfilters.com)**

# SUZUKI

# AIR & OIL FILTERS

Vehicle	Engine Type	Air Filter	Oil Filter	Vehicle	Engine Type	Air Filter	Oil Filter
<b>2007 SUZUKI</b>				<b>2007 SUZUKI</b>			
Liana	1.6L L4 F/I - OEM 243mm x 162mm	33-2282		SV1000	1000		KN-138
LS650 Savage	650		KN-137	SV1000S	1000	SU-6503	KN-138C
LTA400F Eiger Auto 4x4	400	SU-5002	KN-138			SU-6503	KN-138C
		SU-5002	KN-138C	Swift	1.5L L4 F/I	33-2824	
LTA400F Eiger Auto 4x4 Camo	400	SU-5002	KN-138	Swift III	1.3L L4 DSL	33-2952	
		SU-5002	KN-138C	Swift III	1.3L L4 F/I - VIN JSA	33-2826 ♦	
LTA400F Eiger Auto 4x4 Hunter X Hunter	400	SU-5002	KN-138	Swift III	1.3L L4 F/I - Vin JSM	33-2824 ♦	
		SU-5002	KN-138C	Swift III	1.5L L4 F/I	33-2824 ♦	
LTA400F Eiger Auto 4x4 Hunter X Hunter	400	SU-5002	KN-138	Swift III	1.6L L4 F/I	33-2824 ♦	HP-1001
		SU-5002	KN-138C	Swift Plus	1.6L L4 F/I		HP-1001
LTA450X KingQuad 4x4	450	SU-7005	KN-138	SX4	1.5L L4 F/I	33-2954	
		SU-7005	KN-138C	SX4	1.6L L4 F/I	33-2954	
LTA450X KingQuad 4x4 Camo	450	SU-7005	KN-138	SX4	1.9L L4 DSL	33-2399	
		SU-7005	KN-138C	SX4	2.0L L4 F/I	33-2371	HP-1003
LTA500F Vinson Auto 4x4	500	SU-5002	KN-138	UH125 Burgman	125		KN-131
		SU-5002	KN-138C	UH200 Burgman	200		KN-131
LTA500F Vinson Auto 4x4 Camo	500	SU-5002	KN-138	VL800 Intruder C800	800	SU-8001	KN-138
		SU-5002	KN-138C			SU-8001	KN-138C
LTA500F Vinson Auto 4x4 Camo	500	SU-5002	KN-138	VL1500 Intruder C1500	1500	SU-1598	KN-138
		SU-5002	KN-138C			SU-1598	KN-138C
LTA700X KingQuad 4x4	700	SU-7005	KN-138	VS1400GLP Intruder	1400		KN-138
		SU-7005	KN-138C				KN-138C
LTA700X KingQuad 4x4 Camo	700	SU-7005	KN-138	VZ800 Intruder M800	800		KN-138
		SU-7005	KN-138C				KN-138C
LTF250 Ozark	250	SU-2504	KN-132	VZ800 Marauder	800		KN-138
LTF400F Eiger 4x4	400	SU-5002	KN-138	VZR1800 Intruder	1800	SU-1806	KN-138
LTF400F Eiger 4x4 Camo	400	SU-5002	KN-138C			SU-1806	KN-138C
		SU-5002	KN-138	Wagon R Plus	1.0L L4 F/I	33-2826	
LTF400F Eiger 4x4 Camo	400	SU-5002	KN-138	Wagon R Plus	1.2L L4 F/I	33-2826	
		SU-5002	KN-138C	XL-7	3.6L V6 F/I	33-2249	HP-1017
LTF500F Vinson 4x4	500	SU-5002	KN-138	<b>2006 SUZUKI</b>			
		SU-5002	KN-138C	Aerio	2.3L L4 F/I	33-2282	HP-1003
LTF500F Vinson 4x4 Camo	500	SU-5002	KN-138	Alto IV	1.1L L4 F/I	33-2826	
		SU-5002	KN-138C	AN250 Burgman	250		KN-132
LTR450 QuadRacer	450	SU-4506	KN-139	AN400 Burgman	400	SU-2599	KN-132
LTZ90 QuadSport	90		KN-131	AN400 Burgman Type S	400	SU-2599	KN-132
LTZ250 QuadSport	250	SU-2504	KN-132	AN650 Burgman	650		KN-138
LTZ400 QuadSport	400	SU-4002	KN-139				KN-138C
Reno	2.0L L4 F/I	33-2330	HP-1001	AN650 Burgman Executive	650		KN-138
RM85	85	SU-8086					KN-138C
RM85L	85	SU-8086		Boulevard C50	800	SU-8001	KN-138
RM125	125	YA-2506XD				SU-8001	KN-138C
RM250	250	YA-2506XD		Boulevard C50 Black	800	SU-8001	KN-138
RMZ250	250	YA-2506XD	KN-207			SU-8001	KN-138C
RMZ450	450	YA-2506XD	KN-207	Boulevard C50T	800	SU-8001	KN-138
RV125 Van Van	125		KN-132			SU-8001	KN-138C
SV650	650	SU-6503	KN-138	Boulevard C90	1500	SU-1598	KN-138
		SU-6503	KN-138C			SU-1598	KN-138C
SV650A Yoshimura	650	SU-6503		Boulevard C90 Black	1500	SU-1598	KN-138
SV650S	650	SU-6503	KN-138			SU-1598	KN-138C
		SU-6503	KN-138C	Boulevard C90T	1500	SU-1598	KN-138
		SU-6503	KN-138C			SU-1598	KN-138C
		SU-6503	KN-138C	Boulevard M50	800	SU-8005	KN-138
		SU-6503	KN-138C			SU-8005	KN-138C
		SU-6503	KN-138C	Boulevard M50 Black	800	SU-8005	KN-138
		SU-6503	KN-138C			SU-8005	KN-138C
		SU-6503	KN-138C	Boulevard M109R	1773	SU-1806	KN-138

\*Indicates 2 filters required

♦ - Intake kit available

Applications updated daily at [knfilters.com](http://knfilters.com) ®

# AIR & OIL FILTERS

# SUZUKI

Vehicle	Engine Type	Air Filter	Oil Filter	Vehicle	Engine Type	Air Filter	Oil Filter
<b>2006 SUZUKI</b>				<b>2006 SUZUKI</b>			
Boulevard M109R	1773	SU-1806	KN-138C	Liana	1.6L L4 F/I - OEM 181mm x 160mm	33-2258	
Boulevard S40	650	SU-6595	KN-137	Liana	1.6L L4 F/I - OEM 243mm x 162mm	33-2282	
Boulevard S50	800	SU-7086	KN-138	LS650 Savage	650		KN-137
Boulevard S83	1400	SU-7086	KN-138C	LT80 QuadSport	80	SU-8087	
DF9.9EL	9.9HP	SU-1487	KN-138	LTA400 Eiger Auto 2x4	400	SU-5002	KN-138
DF9.9ML	9.9HP	SU-1487	KN-138C			SU-5002	KN-138C
DF9.9MS	9.9HP		KN-131	LTA400F Eiger Auto 4x4	400	SU-5002	KN-138
DF9.9RL	9.9HP		KN-131			SU-5002	KN-138C
DF15EL	15HP		KN-131	LTA400F Eiger Auto 4x4 Camo	400	SU-5002	KN-138
DF15ES	15HP		KN-131			SU-5002	KN-138C
DF15MS	15HP		KN-131	LTA400F Eiger Auto 4x4 Camo	400	SU-5002	KN-138
DL650 V-Strom	650	SU-1002	KN-138			SU-5002	KN-138C
		SU-1002	KN-138C	LTA500F Vinson Auto 4x4	500	SU-5002	KN-138
DL1000 V-Strom	1000	SU-1002	KN-138			SU-5002	KN-138C
		SU-1002	KN-138C	LTA500F Vinson Auto 4x4 Camo	500	SU-5002	KN-138
DR200SE	200		KN-132			SU-5002	KN-138C
DR650SE	650	SU-6596	KN-137	LTA500F Vinson Auto 4x4 Camo	500	SU-5002	KN-138
DRZ125	125	KA-1203	KN-132			SU-5002	KN-138C
DRZ125L	125	KA-1203	KN-132	LTA700X KingQuad 4x4	700	SU-7005	KN-138
DRZ250	250	SU-2501	KN-136			SU-7005	KN-138C
DRZ400E	400	SU-4000	KN-139	LTA700X KingQuad 4x4	700	SU-7005	KN-138
DRZ400S	400	SU-4000	KN-139			SU-7005	KN-138C
DRZ400SM	400	SU-4000	KN-139	LTA700X KingQuad 4x4 Camo	700	SU-7005	KN-138
Forenza	2.0L L4 F/I	33-2330	HP-1001			SU-7005	KN-138C
Grand Vitara	1.6L L4 F/I	33-2361		LTA700X KingQuad 4x4 Camo	700	SU-7005	KN-138
Grand Vitara	1.9L L4 DSL	33-2361				SU-7005	KN-138C
Grand Vitara	2.0L L4 F/I	33-2361		LTF250 Ozark	250	SU-2504	KN-132
Grand Vitara	2.7L V6 F/I	33-2361	HP-1002	LTF400F Eiger 4x4	400	SU-5002	KN-138
GS500	500	SU-5589	KN-133	LTF400F Eiger 4x4 Camo	400	SU-5002	KN-138C
GS500F	500	SU-5589	KN-133			SU-5002	KN-138
GSF650 Bandit	650	SU-6505	KN-138	LTF400F Eiger 4x4 Camo	400	SU-5002	KN-138C
		SU-6505	KN-138C			SU-5002	KN-138C
GSF650 Bandit S	650	SU-6505	KN-138	LTF500F Vinson 4x4	500	SU-5002	KN-138
		SU-6505	KN-138C			SU-5002	KN-138C
GSF1200 Bandit	1200	SU-6505	KN-138	LTF500F Vinson 4x4 Camo	500	SU-5002	KN-138
		SU-6505	KN-138C			SU-5002	KN-138C
GSF1200 Bandit S	1200	SU-6505	KN-138	LTR450 QuadRacer	450	SU-4506	KN-139
		SU-6505	KN-138C	LTV700 Twin Peaks 4x4	700		KN-204
GSR600	600	SU-6006	KN-138				KN-204C
		SU-6006	KN-138C	LTZ250 QuadSport	250	SU-2504	KN-132
GSX600F Katana	600	SU-7592	KN-138	LTZ400 QuadSport	400	SU-4002	KN-139
		SU-7592	KN-138C	M800 Intruder	800		KN-138
GSX750F Katana	750	SU-7592	KN-138				KN-138C
		SU-7592	KN-138C	Reno	2.0L L4 F/I	33-2330	HP-1001
GSX1300R Hayabusa	1300	SU-1399	KN-138	RM85	85	SU-8086	
		SU-1399	KN-138C	RM85L	85	SU-8086	
GSX1400	1400	SU-1402	KN-138	RM125	125	YA-2506XD	
		SU-1402	KN-138C	RM250	250	YA-2506XD	
GSXR600	600	SU-7506	KN-138	RMZ250	250	KA-2504	KN-207
		SU-7506	KN-138C	RMZ450	450	YA-2506XD	KN-207
GSXR600	600 - Race Specific	SU-7506R	KN-138	RV125 Van Van	125		KN-132
GSXR750	750	SU-7506	KN-138	SV650	650	SU-6503	KN-138
		SU-7506	KN-138C			SU-6503	KN-138C
GSXR750	750 - Race Specific	SU-7506R	KN-138	SV650S	650	SU-6503	KN-138
GSXR1000	1000	SU-1005	KN-138			SU-6503	KN-138C
		SU-1005	KN-138C	SV1000	1000		KN-138
GSXR1000	1000 - Race Specific	SU-1005R	KN-138				
GZ250 Marauder	250		KN-136				
Jimny	1.3L L4 F/I	33-2162					
Jimny	1.5L L4 DSL	33-2162					
Liana	1.3L L4 F/I	33-2258					
Liana	1.4L L4 DSL	33-2847					

\*Indicates 2 filters required    ♦ - Intake kit available    Applications updated daily at [knfilters.com](http://knfilters.com) ®

**Partial Listing - Complete List of Vehicles and Applications at [knfilters.com](http://knfilters.com)**

# SUZUKI

# AIR & OIL FILTERS

Vehicle	Engine Type	Air Filter	Oil Filter	Vehicle	Engine Type	Air Filter	Oil Filter
<b>2006 SUZUKI</b>				<b>2005 SUZUKI</b>			
SV1000	1000		KN-138C	DF15EL	15HP		KN-131
SV1000S	1000	SU-6503	KN-138	DF15ES	15HP		KN-131
		SU-6503	KN-138C	DF15MS	15HP		KN-131
Swift III	1.3L L4 DSL	33-2952		DL650 V-Strom	650	SU-1002	KN-138
Swift III	1.3L L4 F/I - VIN JSA	33-2826 ♦				SU-1002	KN-138C
Swift III	1.3L L4 F/I - Vin JSM	33-2824 ♦		DL1000 V-Strom	1000	SU-1002	KN-138
Swift III	1.5L L4 F/I	33-2824 ♦				SU-1002	KN-138C
Swift III	1.6L L4 F/I	33-2824 ♦	HP-1001	DR200SE	200		KN-132
Swift Plus	1.6L L4 F/I		HP-1001	DR650SE	650	SU-6596	KN-137
SX4	1.5L L4 F/I	33-2954		DRZ110	110	KA-1102	KN-112
SX4	1.6L L4 F/I	33-2954		DRZ125	125	KA-1203	KN-132
SX4	1.9L L4 DSL	33-2399		DRZ125L	125	KA-1203	KN-132
UH125 Burgman	125		KN-131	DRZ250	250	SU-2501	KN-136
Verona	2.5L L6 F/I	33-2325		DRZ400E	400	SU-4000	KN-139
VL125LC Intruder	125		KN-136	DRZ400S	400	SU-4000	KN-139
VL800 Intruder C800	800		KN-138	DRZ400SM	400	SU-4000	KN-139
			KN-138C	Foreza	2.0L L4 F/I	33-2330	HP-1001
VS1400GLP Intruder	1400		KN-138	Grand Vitara	1.6L L4 F/I - from 10/05	33-2361	
			KN-138C	Grand Vitara	1.6L L4 F/I - to 9/05	33-2155	
VZR1800 Intruder	1800	SU-1806	KN-138	Grand Vitara	1.9L L4 DSL - from 10/05	33-2361	
		SU-1806	KN-138C	Grand Vitara	2.0L L4 DSL	33-2155	
Wagon R Plus	1.0L L4 F/I	33-2826		Grand Vitara	2.0L L4 F/I - from 10/05	33-2361	
Wagon R Plus	1.2L L4 F/I	33-2826		Grand Vitara	2.0L L4 F/I - to 9/05	33-2155	
XL-7	2.7L V6 F/I	33-2327	HP-1002	Grand Vitara	2.5L V6 F/I	33-2155	HP-1002
				Grand Vitara	2.7L V6 F/I - from 10/05	33-2361	
<b>2005 SUZUKI</b>							
Aerio	2.3L L4 F/I	33-2282	HP-1003	Grand Vitara	2.7L V6 F/I - to 9/05	33-2155	
Alto IV	1.1L L4 F/I	33-2826		GS500	500	SU-5589	KN-133
AN250 Burgman	250		KN-132	GS500F	500	SU-5589	KN-133
AN400 Burgman	400	SU-2599	KN-132	GSF650 Bandit	650	SU-6505	KN-138
AN400 Burgman Type S	400	SU-2599	KN-132			SU-6505	KN-138C
AN650 Burgman	650		KN-138	GSF650 Bandit S	650	SU-6505	KN-138
			KN-138C			SU-6505	KN-138C
AN650 Burgman Executive	650		KN-138	GSF1200 Bandit	1200		KN-138
			KN-138C			SU-6000	KN-138C
Boulevard C50	800	SU-8001	KN-138	GSF1200 Bandit S	1200	SU-6000	KN-138
		SU-8001	KN-138C			SU-6000	KN-138C
Boulevard C50 Black	800	SU-8001	KN-138	GSX600F Katana	600	SU-7592	KN-138
		SU-8001	KN-138C			SU-7592	KN-138C
Boulevard C50T	800	SU-8001	KN-138	GSX750F Katana	750	SU-7592	KN-138
		SU-8001	KN-138C			SU-7592	KN-138C
Boulevard C90	1500	SU-1598	KN-138	GSX1300R Hayabusa	1300	SU-1399	KN-138
		SU-1598	KN-138C			SU-1399	KN-138C
Boulevard C90 Black	1500	SU-1598	KN-138	GSX1400	1400	SU-1402	KN-138
		SU-1598	KN-138C			SU-1402	KN-138C
Boulevard C90T	1500	SU-1598	KN-138	GSXR600	600	SU-7504	KN-138
		SU-1598	KN-138C			SU-7504	KN-138C
Boulevard M50	800	SU-8005	KN-138	GSXR750	750	SU-7504	KN-138
		SU-8005	KN-138C			SU-7504	KN-138C
Boulevard M50 Black	800	SU-8005	KN-138	GSXR1000	1000	SU-1005	KN-138
		SU-8005	KN-138C			SU-1005	KN-138C
Boulevard M95	1600	KA-1596	KN-204	GSXR1000	1000 - Race Specific	SU-1005R	KN-138
		KA-1596	KN-204C	GZ125 Marauder	125		KN-131
Boulevard S40	650	SU-6595	KN-137	GZ250 Marauder	250		KN-136
Boulevard S50	800	SU-7086	KN-138	Jimny	1.3L L4 F/I	33-2162	
		SU-7086	KN-138C	Jimny	1.5L L4 DSL	33-2162	
Boulevard S83	1400	SU-1487	KN-138	Liana	1.3L L4 F/I	33-2258	
		SU-1487	KN-138C	Liana	1.4L L4 DSL	33-2847	
DF9.9EL	9.9HP		KN-131	Liana	1.6L L4 F/I - OEM 181mm x 160mm	33-2258	
DF9.9ML	9.9HP		KN-131	Liana	1.6L L4 F/I - OEM 243mm x 162mm	33-2282	
DF9.9MS	9.9HP		KN-131	LS650 Savage	650		KN-137
DF9.9RL	9.9HP		KN-131	LT80 QuadSport	80	SU-8087	

\*Indicates 2 filters required

♦ - Intake kit available

Applications updated daily at [knfilters.com](http://knfilters.com) ®



# AIR & OIL FILTERS

# SUZUKI

Vehicle	Engine Type	Air Filter	Oil Filter	Vehicle	Engine Type	Air Filter	Oil Filter
<b>2005 SUZUKI</b>				<b>2005 SUZUKI</b>			
LTA400F Eiger Auto 4x4	400	SU-5002	KN-138	VL800 Intruder C800	800		KN-138
		SU-5002	KN-138C	VL1500LC Intruder	1500	SU-1598	KN-138C
LTA400F Eiger Auto 4x4 Camo	400	SU-5002	KN-138	VS1400GLP Intruder	1400	SU-1598	KN-138C
		SU-5002	KN-138C	VZ1600 Marauder	1600		KN-138C
LTA500B Vinson Auto 4x4 Ltd.	500	SU-5002	KN-138	Wagon R Plus	1.0L L4 F/I	KA-1596	KN-204
		SU-5002	KN-138C	Wagon R Plus	1.2L L4 F/I	KA-1596	KN-204C
LTA500F Vinson Auto 4x4	500	SU-5002	KN-138	XL-7	2.7L V6 F/I	33-2826	
		SU-5002	KN-138C			33-2327	HP-1002
LTA500F Vinson Auto 4x4 Camo	500	SU-5002	KN-138	<b>2004 SUZUKI</b>			
		SU-5002	KN-138C	Aerio	2.3L L4 F/I	33-2282	HP-1003
LTA700X KingQuad 4x4	700	SU-7005	KN-138	Alto IV	1.1L L4 F/I	33-2826	
		SU-7005	KN-138C	AN250 Burgman	250	SU-2599	KN-132
LTF250 Ozark	250	SU-2504	KN-132	AN400 Burgman	400	SU-2599	KN-132
LTF400F Eiger 4x4	400	SU-5002	KN-138	AN650 Burgman	650		KN-138
		SU-5002	KN-138C	AN650 Burgman Executive	650		KN-138C
LTF400F Eiger 4x4 Camo	400	SU-5002	KN-138				KN-138C
		SU-5002	KN-138C	DF9.9EL	9.9HP		KN-131
LTF500F Vinson 4x4	500	SU-5002	KN-138	DF9.9ML	9.9HP		KN-131
		SU-5002	KN-138C	DF9.9MS	9.9HP		KN-131
LTF500F Vinson 4x4 Camo	500	SU-5002	KN-138	DF9.9RL	9.9HP		KN-131
		SU-5002	KN-138C	DF15EL	15HP		KN-131
LTV700 Twin Peaks 4x4	700	KA-6503	KN-204	DF15ES	15HP		KN-131
		KA-6503	KN-204C	DF15MS	15HP		KN-131
LTZ250 Quadsport	250	SU-2504	KN-132	DL650 V-Strom	650	SU-1002	KN-138
LTZ400 Quadsport	400	SU-4002	KN-139	DL1000 V-Strom	1000	SU-1002	KN-138C
M800 Intruder	800		KN-138	DL1000 V-Strom GT	1000	SU-1002	KN-138
			KN-138C			SU-1002	KN-138C
Reno	2.0L L4 F/I	33-2330	HP-1001	DR200SE	200		KN-132
RM65	65	KA-8088		DR650SE	650	SU-6596	KN-137
RM85	85	SU-8086		DRZ110	110	KA-1102	KN-112
RM85L	85	SU-8086		DRZ125	125	KA-1203	KN-132
RMZ250	250	KA-2504	KN-207	DRZ125L	125	KA-1203	KN-132
RMZ450	450	YA-2506XD	KN-207	DRZ250	250	SU-2501	KN-136
RV125 Van Van	125		KN-132	DRZ400E	400	SU-4000	KN-139
SV650	650	SU-6503	KN-138	DRZ400S	400	SU-4000	KN-139
		SU-6503	KN-138C	Forenza	2.0L L4 F/I		HP-1001
SV650S	650	SU-6503	KN-138	Grand Vitara	1.6L L4 F/I	33-2155	
		SU-6503	KN-138C	Grand Vitara	2.0L L4 DSL	33-2155	
SV1000	1000		KN-138	Grand Vitara	2.0L L4 F/I	33-2155	
			KN-138C	Grand Vitara	2.5L V6 F/I	33-2155	HP-1002
SV1000S	1000	SU-6503	KN-138	Grand Vitara	2.7L V6 F/I	33-2155	
		SU-6503	KN-138C	GS500	500	SU-5589	KN-133
Swift III	1.3L L4 DSL	33-2952		GS500F	500	SU-5589	KN-133
Swift III	1.3L L4 F/I - VIN JSA	33-2826 ♦		GSF600 Bandit	600		KN-138
Swift III	1.3L L4 F/I - Vin JSM	33-2824 ♦		GSF600 Bandit S	600	SU-6000	KN-138C
Swift III	1.5L L4 F/I	33-2824 ♦		GSF1200 Bandit	1200		KN-138
Swift Plus	1.6L L4 F/I		HP-1001	GSF1200 Bandit S	1200	SU-6000	KN-138C
UH125 Burgman	125		KN-131	GSX600F Katana	600	SU-7592	KN-138
Verona	2.5L L6 F/I	33-2325		GSX750F Katana	750	SU-7592	KN-138
VL125LC Intruder	125		KN-136	GSX1300R Hayabusa	1300	SU-7592	KN-138C
						SU-1399	KN-138

\*Indicates 2 filters required      ♦ - Intake kit available      Applications updated daily at [knfilters.com](http://knfilters.com) ®

**Partial Listing - Complete List of Vehicles and Applications at [knfilters.com](http://knfilters.com)**

# SUZUKI

# AIR & OIL FILTERS

Vehicle	Engine Type	Air Filter	Oil Filter	Vehicle	Engine Type	Air Filter	Oil Filter
<b>2004 SUZUKI</b>				<b>2004 SUZUKI</b>			
GSX1300R Hayabusa	1300	SU-1399	KN-138C	SV1000S	1000	SU-6503	KN-138C
GSX1400	1400	SU-1402	KN-138	Swift Plus	1.6L L4 F/I		HP-1001
		SU-1402	KN-138C	UH125 Burgman	125		KN-131
GSXR600	600	SU-7504	KN-138	Verona	2.5L L6 F/I	33-2325	
		SU-7504	KN-138C	Vitara	2.5L V6 F/I	33-2155	HP-1002
GSXR750	750	SU-7504	KN-138	VL125LC Intruder	125		KN-136
		SU-7504	KN-138C	VL250LC Intruder	250		KN-136
GSXR1000	1000	SU-7500	KN-138	VL800LC Intruder	800	SU-8001	KN-138
		SU-7500	KN-138C	Volusia		SU-8001	KN-138C
GZ125 Marauder	125		KN-131	VL1500LC Intruder	1500	SU-1598	KN-138
GZ250 Marauder	250		KN-136			SU-1598	KN-138C
Jimny	1.3L L4 F/I	33-2162		VS800 Intruder	800	SU-7086	KN-138
Jimny	1.5L L4 DSL	33-2162				SU-7086	KN-138C
Liana	1.3L L4 F/I	33-2258		VS1400GLP Intruder	1400	SU-1487	KN-138
Liana	1.6L L4 F/I - OEM 181mm x 160mm	33-2258				SU-1487	KN-138C
Liana	1.6L L4 F/I - OEM 243mm x 162mm	33-2282		VZ800 Marauder	800		KN-138
LS650 Savage	650	SU-6595	KN-137				KN-138C
LT80 QuadSport	80	SU-8087		VZ800 Marauder	800 - Jet kit required, purchase separately	SU-5589*	KN-138
LT160 QuadSport	160	SU-1691	KN-132	VZ1600 Marauder	1600	KA-1596	KN-204
LTA400 Eiger Auto 2x4	400	SU-5002	KN-138			KA-1596	KN-204C
		SU-5002	KN-138C	Wagon R Plus	1.0L L4 F/I	33-2826	
LTA400F Eiger Auto 4x4	400	SU-5002	KN-138	Wagon R Plus	1.2L L4 F/I	33-2826	
		SU-5002	KN-138C	Wagon R Plus	1.3L L4 F/I	33-2242	
				XL-7	2.7L V6 F/I	33-2327	HP-1002
LTA400F Eiger Auto 4x4 Camo	400	SU-5002	KN-138	<b>2003 SUZUKI</b>			
		SU-5002	KN-138C	Aerio	2.0L L4 F/I		HP-1003
LTA500F Vinson Auto 4x4	500	SU-5002	KN-138	Alto IV	1.1L L4 F/I	33-2826	
		SU-5002	KN-138C	AN250 Burgman	250	SU-2599	KN-132
LTA500F Vinson Auto 4x4 Camo	500	SU-5002	KN-138	AN250 Skywave	250	SU-2599	
		SU-5002	KN-138C	AN400 Burgman	400	SU-2599	KN-132
		SU-5002	KN-138C	AN400 Skywave	400	SU-2599	
LTF250 Ozark	250	SU-2504	KN-132	AN650 Burgman	650		KN-138
LTF400 Eiger 2x4	400	SU-5002	KN-138				KN-138C
		SU-5002	KN-138C	DF9.9EL	9.9HP		KN-131
LTF400F Eiger 4x4	400	SU-5002	KN-138	DF9.9ML	9.9HP		KN-131
		SU-5002	KN-138C	DF9.9MS	9.9HP		KN-131
LTF500F Vinson 4x4	500	SU-5002	KN-138	DF15EL	15HP		KN-131
		SU-5002	KN-138C	DF15ES	15HP		KN-131
		SU-5002	KN-138C	DF15MS	15HP		KN-131
LTV700 Twin Peaks 4x4	700	KA-6503	KN-204	DF15RL	15HP		KN-131
		KA-6503	KN-204C	DL1000 V-Strom	1000	SU-1002	KN-138
LTZ250 QuadSport	250	SU-2504	KN-132			SU-1002	KN-138C
LTZ400 QuadSport	400	SU-4002	KN-139	DR200SE	200		KN-132
RM65	65	KA-8088		DR650SE	650	SU-6596	KN-137
RM85	85	SU-8086		DRZ110	110	KA-1102	KN-112
RM85L	85	SU-8086		DRZ125	125	KA-1203	KN-132
RM250	250	SU-2596		DRZ125L	125	KA-1203	KN-132
RMZ250	250	KA-2504	KN-207	DRZ250	250	SU-2501	KN-136
RV125 Van Van	125		KN-132	DRZ400	400	SU-4000	KN-139
SV650	650	SU-6503	KN-138	DRZ400E	400	SU-4000	KN-139
		SU-6503	KN-138C	DRZ400S	400	SU-4000	KN-139
SV650S	650	SU-6503	KN-138	Grand Vitara	1.6L L4 F/I	33-2155	
		SU-6503	KN-138C	Grand Vitara	2.0L L4 DSL	33-2155	
SV1000	1000	SU-6503	KN-138	Grand Vitara	2.0L L4 F/I	33-2155	
		SU-6503	KN-138C	Grand Vitara	2.5L V6 F/I	33-2155	HP-1002
SV1000S	1000	SU-6503	KN-138	Grand Vitara	2.7L V6 F/I	33-2155	
				GS500	500	SU-5589	KN-133
				GSF600 Bandit	600	SU-6000	KN-138
						SU-6000	KN-138C
				GSF600 Bandit S	600	SU-6000	KN-138
						SU-6000	KN-138C

\*Indicates 2 filters required

◆ - Intake kit available

Applications updated daily at [knfilters.com](http://knfilters.com) ®

# AIR & OIL FILTERS

# SUZUKI

Vehicle	Engine Type	Air Filter	Oil Filter	Vehicle	Engine Type	Air Filter	Oil Filter
<b>2003 SUZUKI</b>				<b>2003 SUZUKI</b>			
GSF1200 Bandit	1200	SU-6000	KN-138	Swift II	1.3L L4 F/I - Exc., 101BHP	E-9209	
GSF1200 Bandit S	1200	SU-6000	KN-138C	TL1000R	1000	SU-0015	KN-138
GSX600F Katana	600	SU-6000	KN-138C			SU-0015	KN-138C
GSX750F Katana	750	SU-7592	KN-138	UC125 Epicuro	125		KN-131
		SU-7592	KN-138C	UC150 Epicuro	150		KN-131
GSX1300R Hayabusa	1300	SU-7592	KN-138	UH125 Burgman	125		KN-131
		SU-7592	KN-138C	Vitara	2.0L L4 F/I	33-2155	HP-1003
GSX1400	1400	SU-1399	KN-138	VL125LC Intruder	125		KN-136
		SU-1399	KN-138C	VL250LC Intruder	250		KN-136
GSXR600	600	SU-1402	KN-138	VL800LC Intruder	800	SU-8001	KN-138
		SU-1402	KN-138C	Volusia		SU-8001	KN-138C
GSXR750	750	SU-7500	KN-138				
		SU-7500	KN-138C	VL1500LC Intruder	1500	SU-1598	KN-138
GSXR1000	1000	SU-7500	KN-138			SU-1598	KN-138C
		SU-7500	KN-138C	VS800 Intruder	800	SU-7086	KN-138
GZ125 Marauder	125		KN-131			SU-7086	KN-138C
GZ250 Marauder	250		KN-136	VS1400GLP Intruder	1400	SU-1487	KN-138
Jimny	1.3L L4 F/I	33-2162		VZ800 Marauder	800	SU-1487	KN-138C
Jimny	1.5L L4 DSL	33-2162					KN-138
Liana	1.3L L4 F/I	33-2258		VZ800 Marauder	800 - Jet kit required, purchase separately	SU-5589*	KN-138
Liana	1.6L L4 F/I - OEM 181mm x 160mm	33-2258		Wagon R Plus	1.0L L4 F/I	33-2826	
Liana	1.6L L4 F/I - OEM 243mm x 162mm	33-2282		Wagon R Plus	1.2L L4 F/I	33-2826	
LS650 Savage	650	SU-6595	KN-137	Wagon R Plus	1.3L L4 F/I	33-2242	
LT80 QuadSport	80	SU-8087		XL-7	2.7L V6 F/I	33-2155	HP-1002
LT160 Quadrunner	160	SU-1691	KN-132	<b>2002 SUZUKI</b>			
LTA400 Eiger Auto 2x4	400	SU-5002	KN-138	Aerio	2.0L L4 F/I	33-2258 ♦	HP-1003
		SU-5002	KN-138C	Alto III	1.0L L4 F/I	33-2709	
LTA400F Eiger Auto 4x4	400	SU-5002	KN-138	Alto IV	1.1L L4 F/I	33-2826	
		SU-5002	KN-138C	AN250 Burgman	250	SU-2599	KN-132
LTA500F Vinson Auto 4x4	500	SU-5002	KN-138	AN250 Skywave	250	SU-2599	
		SU-5002	KN-138C	AN400 Burgman	400	SU-2599	KN-132
LTF250 Ozark	250	SU-2504	KN-132	AN650 Burgman	650		KN-138
LTF400 Eiger 2x4	400	SU-5002	KN-138				KN-138C
		SU-5002	KN-138C	Baleno	1.6L L4 F/I	33-2790	
LTF400F Eiger 4x4	400	SU-5002	KN-138	Baleno	1.8L L4 F/I	33-2790	
		SU-5002	KN-138C	DF9.9EL	9.9HP		KN-131
LTF500F Vinson 4x4	500	SU-5002	KN-138	DF9.9ML	9.9HP		KN-131
		SU-5002	KN-138C	DF9.9MS	9.9HP		KN-131
LTZ400 QuadSport	400	SU-4002	KN-139	DF15EL	15HP		KN-131
RM60	60	KA-6085		DF15ES	15HP		KN-131
RM85	85	SU-8086		DF15MS	15HP		KN-131
RM85L	85	SU-8086		DF15RL	15HP		KN-131
RM100	100	KA-8088		DL1000 V-Strom	1000	SU-1002	KN-138
RM250	250	SU-2596				SU-1002	KN-138C
RV125 Van Van	125		KN-132	DR200SE	200		KN-132
SV650	650	SU-6503	KN-138	DR650SE	650	SU-6596	KN-137
		SU-6503	KN-138C	DRZ250	250	SU-2501	KN-136
SV650S	650	SU-6503	KN-138	DRZ400	400	SU-4000	KN-139
		SU-6503	KN-138C	DRZ400E	400	SU-4000	KN-139
SV1000	1000	SU-6503	KN-138	DRZ400S	400	SU-4000	KN-139
		SU-6503	KN-138C	Esteem	1.8L L4 F/I	33-2162	HP-1003
SV1000S	1000	SU-6503	KN-138	Grand Vitara	1.6L L4 F/I	33-2155	
		SU-6503	KN-138C	Grand Vitara	2.0L L4 DSL	33-2155	
Swift II	1.3L L4 F/I - 101BHP	E-9132		Grand Vitara	2.0L L4 F/I	33-2155	
				Grand Vitara	2.5L V6 F/I	33-2155	HP-1002
				Grand Vitara	2.7L V6 F/I	33-2155	
				GS500	500	SU-5589	KN-133
				GS500E	500		KN-133
				GSF600 Bandit	600	SU-6000	KN-138
						SU-6000	KN-138C
				GSF600 Bandit S	600	SU-6000	KN-138

\*Indicates 2 filters required

♦ - Intake kit available

Applications updated daily at [knfilters.com](http://knfilters.com) ®

**Partial Listing - Complete List of Vehicles and Applications at [knfilters.com](http://knfilters.com)**

# SUZUKI

# AIR & OIL FILTERS

Vehicle	Engine Type	Air Filter	Oil Filter	Vehicle	Engine Type	Air Filter	Oil Filter
<b>2002 SUZUKI</b>				<b>2002 SUZUKI</b>			
GSF600 Bandit S	600	SU-6000	KN-138C	Swift II	1.3L L4 F/I - Exc., 101BHP	E-9209	
GSF1200 Bandit	1200	SU-6000	KN-138	TL1000R	1000	SU-0015	KN-138
		SU-6000	KN-138C			SU-0015	KN-138C
GSF1200 Bandit S	1200	SU-6000	KN-138	UC125 Epicuro	125		KN-131
		SU-6000	KN-138C	UC150 Epicuro	150		KN-131
GSX600F Katana	600	SU-7592	KN-138	UH125 Burgman	125		KN-131
		SU-7592	KN-138C	Vitara	2.0L L4 F/I	33-2155	HP-1003
GSX750	750		KN-137	VL125LC Intruder	125		KN-136
GSX750 Retro	750		KN-138	VL250LC Intruder	250		KN-136
			KN-138C	VL800LC Intruder	800	SU-8001	KN-138
GSX750F Katana	750	SU-7592	KN-138	Volusia		SU-8001	KN-138C
		SU-7592	KN-138C				
GSX1300R Hayabusa	1300	SU-1399	KN-138	VL1500LC Intruder	1500	SU-1598	KN-138
		SU-1399	KN-138C			SU-1598	KN-138C
GSX1400	1400	SU-1402	KN-138	VS800 Intruder	800	SU-7086	KN-138
		SU-1402	KN-138C			SU-7086	KN-138C
GSXR600	600	SU-7500	KN-138	VS1400GLP Intruder	1400	SU-1487	KN-138
		SU-7500	KN-138C			SU-1487	KN-138C
GSXR750	750	SU-7500	KN-138	VZ800 Marauder	800		KN-138
		SU-7500	KN-138C				KN-138C
GSXR1000	1000	SU-7500	KN-138	VZ800 Marauder	800 - Jet kit required, purchase separately	SU-5589*	KN-138
		SU-7500	KN-138C	Wagon R Plus	1.0L L4 F/I	33-2826	
GZ125 Marauder	125		KN-131	Wagon R Plus	1.2L L4 F/I	33-2826	
GZ250 Marauder	250		KN-136	Wagon R Plus	1.3L L4 F/I	33-2242	
Jimny	1.3L L4 F/I	33-2162		XF650 Freewind	650		KN-137
Liana	1.3L L4 F/I	33-2258		XL-7	2.7L V6 F/I	33-2155	HP-1002
Liana	1.6L L4 F/I - OEM 181mm x 160mm	33-2258		<b>2001 SUZUKI</b>			
Liana	1.6L L4 F/I - OEM 243mm x 162mm	33-2282		Alto III	1.0L L4 F/I	33-2709	
LS650 Savage	650	SU-6595	KN-137	AN250 Burgman	250	SU-2599	KN-132
LT80 QuadSport	80	SU-8087		AN250 Skywave	250	SU-2599	
LT250 Quadrunner 2x4	250	SU-2588	KN-132	AN400 Burgman	400	SU-2599	KN-132
LTA400 Eiger Auto 2x4	400	SU-5002	KN-138	AN400 Skywave	400	SU-2599	
		SU-5002	KN-138C	Baleno	1.3L L4 F/I	33-2790	
LTA400F Eiger Auto 4x4	400	SU-5002	KN-138	Baleno	1.6L L4 F/I	33-2790	
		SU-5002	KN-138C	Baleno	1.8L L4 F/I	33-2790	
LTA500F Vinson Auto 4x4	500	SU-5002	KN-138	DF9.9EL	9.9HP		KN-131
		SU-5002	KN-138C	DF9.9ML	9.9HP		KN-131
LTF160 Quadrunner	160		KN-132	DF9.9MS	9.9HP		KN-131
LTF250 Ozark	250	SU-2504	KN-132	DF15EL	15HP		KN-131
LTF250 Quadrunner 4x4	250	SU-2588	KN-132	DF15ES	15HP		KN-131
LTF300 King Quad	300	SU-2588	KN-132	DF15MS	15HP		KN-131
LTF400 Eiger 2x4	400	SU-5002	KN-138	DF15RL	15HP		KN-131
		SU-5002	KN-138C	DR200SE	200		KN-132
LTF400F Eiger 4x4	400	SU-5002	KN-138	DR650SE	650	SU-6596	KN-137
		SU-5002	KN-138C	DRZ250	250	SU-2501	KN-136
LTF500F Quadrunner	500	SU-5098	KN-138	DRZ400	400	SU-4000	KN-139
		SU-5098	KN-138C	DRZ400E	400	SU-4000	KN-139
LTF500F Vinson 4x4	500	SU-5098	KN-138	DRZ400S	400	SU-4000	KN-139
			KN-138C	Esteem	1.6L L4 F/I		HP-1002
RM85	85	SU-8086		Esteem	1.8L L4 F/I	33-2162	HP-1003
RM250	250	SU-2596		Grand Vitara	1.6L L4 F/I	33-2155	
SV650	650	SU-6599	KN-138	Grand Vitara	2.0L L4 DSL	33-2155	
		SU-6599	KN-138C	Grand Vitara	2.0L L4 F/I	33-2155	
SV650S	650	SU-6599	KN-138	Grand Vitara	2.5L V6 F/I	33-2155	HP-1002
		SU-6599	KN-138C	Grand Vitara	2.7L V6 F/I	33-2155	HP-1002
Swift II	1.3L L4 F/I - 101BHP	E-9132		GS500	500	SU-5589	KN-133
				GS500E	500		KN-133
				GSF600 Bandit	600	SU-6000	KN-138
				GSF600 Bandit S	600	SU-6000	KN-138
				GSF1200 Bandit	1200	SU-6000	KN-138

\*Indicates 2 filters required

◆ - Intake kit available

Applications updated daily at [knfilters.com](http://knfilters.com) ®

# AIR & OIL FILTERS

# SUZUKI

Vehicle	Engine Type	Air Filter	Oil Filter	Vehicle	Engine Type	Air Filter	Oil Filter
<b>2001 SUZUKI</b>				<b>2001 SUZUKI</b>			
GSF1200 Bandit	1200	SU-6000	KN-138C	VL125LC Intruder	125		KN-136
GSF1200 Bandit S	1200	SU-6000	KN-138	VL250LC Intruder	250		KN-136
		SU-6000	KN-138C	VL800LC Intruder	800	SU-8001	KN-138
GSX600F Katana	600	SU-7592	KN-138	Volusia		SU-8001	KN-138C
		SU-7592	KN-138C				
GSX750	750		KN-137	VL1500LC Intruder	1500	SU-1598	KN-138
GSX750 Retro	750		KN-138			SU-1598	KN-138C
			KN-138C	VS800 Intruder	800	SU-7086	KN-138
GSX750F Katana	750	SU-7592	KN-138			SU-7086	KN-138C
		SU-7592	KN-138C	VS1400GLP Intruder	1400	SU-1487	KN-138
GSX1300R Hayabusa	1300	SU-1399	KN-138			SU-1487	KN-138C
		SU-1399	KN-138C	VZ800 Marauder	800		KN-138
GSX1400	1400	SU-1402	KN-138				KN-138C
		SU-1402	KN-138C	VZ800 Marauder	800 - Jet kit required, purchase separately	SU-5589*	KN-138
GSXR600	600	SU-7500	KN-138	Wagon R Plus	1.0L L4 F/I	33-2826	
		SU-7500	KN-138C	Wagon R Plus	1.2L L4 F/I	33-2826	
GSXR750	750	SU-7500	KN-138	Wagon R Plus	1.3L L4 F/I	33-2242	
		SU-7500	KN-138C	XF650 Freewind	650		KN-137
GSXR1000	1000	SU-7500	KN-138	<b>2000 SUZUKI</b>			
		SU-7500	KN-138C	Alto III	1.0L L4 F/I	33-2709	
GZ125 Marauder	125		KN-131	AN125 Burgman	125		KN-131
GZ250 Marauder	250		KN-136	AN150 Burgman	150		KN-131
Jimny	1.3L L4 F/I	33-2162		AN250 Burgman	250	SU-2599	KN-132
Liana	1.3L L4 F/I	33-2258		AN250 Skywave	250	SU-2599	
Liana	1.6L L4 F/I - OEM 181mm x 160mm	33-2258		AN400 Burgman	400	SU-2599	KN-132
Liana	1.6L L4 F/I - OEM 243mm x 162mm	33-2282		AN400 Skywave	400	SU-2599	
LS650 Savage	650	SU-6595	KN-137	Baleno	1.3L L4 F/I	33-2790	
LT80 QuadSport	80	SU-8087		Baleno	1.6L L4 F/I	33-2790	
LT250 Quadrunner 2x4	250	SU-2588	KN-132	Baleno	1.8L L4 F/I	33-2790	
LTA500 Quadmaster	500	SU-5098	KN-138	Baleno	1.9L L4 DSL	33-2790	
		SU-5098	KN-138C	DF9.9EL	9.9HP		KN-131
LTF160 Quadrunner	160	SU-1691	KN-132	DF9.9ML	9.9HP		KN-131
LTF250 Quadrunner 2x4	250	SU-2588	KN-132	DF9.9MS	9.9HP		KN-131
LTF250 Quadrunner 4x4	250	SU-2588	KN-132	DF9.9RL	9.9HP		KN-131
LTF300 King Quad	300	SU-2588	KN-132	DF15EL	15HP		KN-131
LTF500F Quadrunner	500	SU-5098	KN-138	DF15ES	15HP		KN-131
		SU-5098	KN-138C	DF15MS	15HP		KN-131
RM80	79	SU-8086		DF15RL	15HP		KN-131
RM250	250	SU-2596		DR125SE	125		KN-132
SV650	650	SU-6599	KN-138	DR125X	125		KN-132
		SU-6599	KN-138C	DR125Y	125		KN-132
SV650S	650	SU-6599	KN-138	DR200SE	200		KN-132
		SU-6599	KN-138C	DR350	350		KN-136
Swift	1.3L L4 F/I	E-9132	HP-1003	DR350SE	350		KN-136
Swift II	1.0L L3 F/I - Non-US, 50BHP	E-9139		DR650SE	650	SU-6596	KN-137
Swift II	1.0L L3 F/I - Non-US, Exc., 50BHP	E-9209		DR800	800		KN-137
Swift II	1.3L L4 F/I		HP-1003	DRZ400	400	SU-4000	KN-139
Swift II	1.3L L4 F/I - 101BHP	E-9132	HP-1003	DRZ400E	400	SU-4000	KN-139
		E-9193	HP-1003	DRZ400S	400	SU-4000	KN-139
Swift II	1.3L L4 F/I - Exc., 101BHP	E-9209	HP-1003	Esteem	1.6L L4 F/I	33-2162	HP-1002
Swift II	1.6L L4 F/I	E-9209		Esteem	1.8L L4 F/I	33-2162	HP-1003
TL1000R	1000	SU-0015	KN-138	GN125E	125		KN-131
		SU-0015	KN-138C	GN250	250		KN-136
TL1000S	1000	SU-0007-A	KN-138	Grand Vitara	1.6L L4 F/I	33-2155	
		SU-0007-A	KN-138C	Grand Vitara	2.0L L4 DSL	33-2155	
UC125 Epicuro	125		KN-131	Grand Vitara	2.0L L4 F/I	33-2155	
UC150 Epicuro	150		KN-131	Grand Vitara	2.5L V6 F/I	33-2155	HP-1002
Vitara	1.6L L4 F/I	33-2155	HP-1003	GS125	125 - Disc Brake		KN-131
Vitara	2.0L L4 F/I	33-2155	HP-1003	GS500E	500	SU-5589	KN-133
				GSF600 Bandit	600	SU-6000	KN-138
						SU-6000	KN-138C
				GSF600 Bandit S	600	SU-6000	KN-138

\*Indicates 2 filters required

◆ - Intake kit available

Applications updated daily at [knfilters.com](http://knfilters.com) ®

**Partial Listing - Complete List of Vehicles and Applications at [knfilters.com](http://knfilters.com)**

# SUZUKI

# AIR & OIL FILTERS

Vehicle	Engine Type	Air Filter	Oil Filter	Vehicle	Engine Type	Air Filter	Oil Filter
<b>2000 SUZUKI</b>				<b>2000 SUZUKI</b>			
GSF600 Bandit S	600	SU-6000	KN-138C	VL250LC Intruder	250		KN-136
GSF1200 Bandit	1200		KN-138	VL1500LC Intruder	1500	SU-1598	KN-138
			KN-138C			SU-1598	KN-138C
GSF1200 Bandit S	1200	SU-7593	KN-138	VS800 Intruder	800	SU-7086	KN-138
		SU-7593	KN-138C			SU-7086	KN-138C
GSX600F Katana	600	SU-7592	KN-138	VS1400GLP Intruder	1400	SU-1487	KN-138
		SU-7592	KN-138C			SU-1487	KN-138C
GSX750 Retro	750		KN-138	VZ800 Marauder	800		KN-138
			KN-138C				KN-138C
GSX750F Katana	750	SU-7592	KN-138	VZ800 Marauder	800 - Jet kit required, purchase separately	SU-5589*	KN-138
		SU-7592	KN-138C	Wagon R Plus	1.0L L4 F/I	33-2826	
GSX1200 Inazuma	1200		KN-138	Wagon R Plus	1.2L L4 F/I	33-2826	
			KN-138C	Wagon R Plus	1.3L L4 F/I	33-2242	
GSX1300R Hayabusa	1300	SU-1399	KN-138	XF650 Freewind	650		KN-137
		SU-1399	KN-138C				
GSXR600	600	SU-7596	KN-138	<b>1999 SUZUKI</b>			
		SU-7596	KN-138C	Alto III	1.0L L4 F/I	33-2709	
GSXR750	750	SU-7500	KN-138	AN125 Burgman	125		KN-131
		SU-7500	KN-138C	AN150 Burgman	150		KN-131
GZ125 Marauder	125		KN-131	AN250 Burgman	250	SU-2599	KN-132
GZ250 Marauder	250		KN-136	AN250 Skywave	250	SU-2599	
Jimny	1.3L L4 F/I	33-2162		AN400 Burgman	400	SU-2599	KN-132
LS650 Savage	650	SU-6595	KN-137	AN400 Skywave	400	SU-2599	
LT80 QuadSport	80	SU-8087		Baleno	1.3L L4 F/I	33-2790	
LT250 Quadrunner 2x4	250	SU-2588	KN-132	Baleno	1.6L L4 F/I	33-2790	
LTA500 Quadmaster	500	SU-5098	KN-138	Baleno	1.8L L4 F/I	33-2790	
		SU-5098	KN-138C	Baleno	1.9L L4 DSL	33-2790	
LTF160 Quadrunner	160	SU-1691	KN-132	DF9.9EL	9.9HP		KN-131
LTF250 Quadrunner 2x4	250	SU-2588	KN-132	DF9.9ML	9.9HP		KN-131
LTF250 Quadrunner 4x4	250	SU-2588	KN-132	DF9.9MS	9.9HP		KN-131
LTF300 King Quad	300	SU-2588	KN-132	DF9.9RL	9.9HP		KN-131
LTF500F Quadrunner	500	SU-5098	KN-138	DF15EL	15HP		KN-131
		SU-5098	KN-138C	DF15ML	15HP		KN-131
RF900	900		KN-138	DF15MS	15HP		KN-131
			KN-138C	DF15RL	15HP		KN-131
RM80	79	SU-8086		DR125SE	125		KN-132
RM125	125	SU-2596		DR125X	125		KN-132
RM250	250	SU-2596		DR125Y	125		KN-132
SV650	650	SU-6599	KN-138	DR200SE	200		KN-132
		SU-6599	KN-138C	DR250SE Off Road	250		KN-136
SV650S	650	SU-6599	KN-138	DR350	350	SU-3590	KN-136
		SU-6599	KN-138C	DR350SE	350	SU-3590	KN-136
Swift	1.3L L4 F/I	E-9132	HP-1002	DR650SE	650	SU-6596	KN-137
Swift II	1.0L L3 F/I - Non-US, 50BHP	E-9139		DR800	778		KN-137
Swift II	1.0L L3 F/I - Non-US, Exc., 50BHP	E-9209		Esteem	1.6L L4 F/I	33-2162	HP-1002
Swift II	1.3L L4 F/I		HP-1003	Esteem	1.8L L4 F/I	33-2162	HP-1002
Swift II	1.3L L4 F/I - 101BHP	E-9132	HP-1003	GN125E	125		KN-131
		E-9193	HP-1003	GN250	250		KN-136
Swift II	1.3L L4 F/I - Exc., 101BHP	E-9209	HP-1003	Grand Vitara	1.6L L4 F/I	33-2155	
Swift II	1.6L L4 F/I	E-9209		Grand Vitara	2.0L L4 DSL	33-2155	
TL1000R	1000	SU-0015	KN-138	Grand Vitara	2.0L L4 F/I	33-2155	
		SU-0015	KN-138C	Grand Vitara	2.5L V6 F/I	33-2155	HP-1002
TL1000S	1000	SU-0007-A	KN-138	GS125	125 - Disc Brake		KN-131
		SU-0007-A	KN-138C	GS500E	500	SU-5589	KN-133
TU250X	250		KN-136	GSF600 Bandit	600	SU-7593	KN-138
UC125 Epicuro	125		KN-131			SU-7593	KN-138C
UC150 Epicuro	150		KN-131	GSF600 Bandit S	600	SU-7593	KN-138
Vitara	1.6L L4 F/I	33-2155	HP-1003			SU-7593	KN-138C
Vitara	2.0L L4 F/I	33-2155	HP-1003	GSF1200 Bandit S	1200	SU-7593	KN-138
VL125LC Intruder	125		KN-136			SU-7593	KN-138C
				GSF1200 Bandit S	1200	SU-7593	KN-138
				GSX600F Katana	600	SU-7592	KN-138
						SU-7592	KN-138C
				GSX750 Retro	750	SU-5589	KN-138
						SU-5589	KN-138C

\*Indicates 2 filters required

◆ - Intake kit available

Applications updated daily at [knfilters.com](http://knfilters.com) ®

# AIR & OIL FILTERS

# SUZUKI

Vehicle	Engine Type	Air Filter	Oil Filter	Vehicle	Engine Type	Air Filter	Oil Filter
<b>1999 SUZUKI</b>				<b>1999 SUZUKI</b>			
GSX750F Katana	750	SU-7592	KN-138	VZ800 Marauder	800 - Jet kit required, purchase separately	SU-5589*	KN-138
		SU-7592	KN-138C	Wagon R Plus	1.0L L4 F/I	33-2826	
GSX1200 Inazuma	1200		KN-138	Wagon R Plus	1.2L L4 F/I	33-2826	
			KN-138C	XF650 Freewind	650		KN-137
GSX1300R Hayabusa	1300	SU-1399	KN-138	<b>1998 SUZUKI</b>			
		SU-1399	KN-138C	Alto III	1.0L L4 F/I	33-2709	
GSXR600	600	SU-7596	KN-138	AN125 Burgman	125		KN-131
		SU-7596	KN-138C	AN150 Burgman	150		KN-131
GSXR750	750	SU-7596	KN-138	Baleno	1.3L L4 F/I	33-2790	
		SU-7596	KN-138C	Baleno	1.6L L4 F/I	33-2790	
GZ125 Marauder	125		KN-131	Baleno	1.8L L4 F/I	33-2790	
GZ250 Marauder	250		KN-136	Baleno	1.9L L4 DSL	33-2790	
Jimny	1.3L L4 F/I	33-2162		DF9.9EL	9.9HP		KN-131
LS650 Savage	650	SU-6595	KN-137	DF9.9MS	9.9HP		KN-131
LT4WD	300		KN-132	DF9.9RL	9.9HP		KN-131
LT80 QuadSport	80	SU-8087		DF15EL	15HP		KN-131
LT250 Quadrunner 2x4	250	SU-2588	KN-132	DF15ML	15HP		KN-131
LTF160 Quadrunner	160	SU-1691	KN-132	DF15MS	15HP		KN-131
LTF250 Quadrunner 2x4	250	SU-2588	KN-132	DF15RL	15HP		KN-131
LTF250 Quadrunner 4x4	250	SU-2588	KN-132	DR125SE	125		KN-132
LTF300 King Quad	300	SU-2588	KN-132	DR125X	125		KN-132
LTF500F Quadrunner	500	SU-5098	KN-138	DR125Y	125		KN-132
		SU-5098	KN-138C	DR200SE	200		KN-132
RF900	938		KN-138	DR250SE Off Road	250		KN-136
			KN-138C	DR350	350	SU-3590	KN-136
RM80	79	SU-8086		DR350 Off Road	350		KN-136
RM125	125	SU-2596		DR350SE	350	SU-3590	KN-136
RM250	250	SU-2596		DR650SE	650	SU-6596	KN-137
Super Carry	1.0L L4 F/I	E-9104		DR800	778		KN-137
SV650	650	SU-6599	KN-138	Esteem	1.6L L4 F/I	33-2162	HP-1002
		SU-6599	KN-138C	GN125E	125		KN-131
SV650S	650	SU-6599	KN-138	GN250	250		KN-136
		SU-6599	KN-138C	Grand Vitara	1.6L L4 F/I	33-2155	
Swift	1.3L L4 F/I	E-9132	HP-1002	Grand Vitara	2.0L L4 DSL	33-2155	
Swift II	1.0L L3 F/I - Non-US, 50BHP	E-9139	HP-1002	Grand Vitara	2.0L L4 F/I	33-2155	
Swift II	1.0L L3 F/I - Non-US, Exc., 50BHP	E-9209		Grand Vitara	2.5L V6 F/I	33-2155	HP-1002
Swift II	1.3L L4 F/I		HP-1002	GS125	125 - Disc Brake		KN-131
Swift II	1.3L L4 F/I - 101BHP	E-9132	HP-1002	GS500E	500	SU-5589	KN-133
		E-9193	HP-1002	GSF600 Bandit	600	SU-7593	KN-138
Swift II	1.3L L4 F/I - Exc., 101BHP	E-9209	HP-1002			SU-7593	KN-138C
Swift II	1.6L L4 F/I	E-9209		GSF600 Bandit S	600	SU-7593	KN-138
TL1000R	1000	SU-0015	KN-138			SU-7593	KN-138C
		SU-0015	KN-138C	GSF1200 Bandit S	1200	SU-7593	KN-138
TL1000S	1000	SU-0007-A	KN-138			SU-7593	KN-138C
		SU-0007-A	KN-138C	GSX600F Katana	600	SU-7592	KN-138
TU125XT	125		KN-131			SU-7592	KN-138C
TU250X	250		KN-136	GSX750 Retro	750	SU-5589	KN-138
UC125 Epicuro	125		KN-131			SU-5589	KN-138C
UC150 Epicuro	150		KN-131	GSX750F Katana	750	SU-7592	KN-138C
Vitara	1.6L L4 F/I	33-2155	HP-1003	GSXR600	600	SU-7596	KN-138
Vitara	1.9L L4 DSL	33-2155				SU-7596	KN-138C
Vitara	2.0L L4 F/I	33-2155	HP-1003	GSXR750	750	SU-7596	KN-138
VL1500LC Intruder	1500	SU-1598	KN-138			SU-7596	KN-138C
		SU-1598	KN-138C	GSXR1100W	1075	SU-7593	KN-138
VS800 Intruder	800	SU-7086	KN-138			SU-7593	KN-138C
		SU-7086	KN-138C	Jimny	1.3L L4 F/I	33-2162	
VS1400GLP Intruder	1400	SU-1487	KN-138	LS650 Savage	650	SU-6595	KN-137
		SU-1487	KN-138C	LT4WD	300		KN-132
VZ800 Marauder	800		KN-138	LT80 QuadSport	80	SU-8087	
			KN-138C	LT250 Quadrunner 2x4	250	SU-2588	KN-132
			KN-138C				

\*Indicates 2 filters required      ♦ - Intake kit available      Applications updated daily at [knfilters.com](http://knfilters.com) ®

**Partial Listing - Complete List of Vehicles and Applications at [knfilters.com](http://knfilters.com)**

# SUZUKI

# AIR & OIL FILTERS

Vehicle	Engine Type	Air Filter	Oil Filter	Vehicle	Engine Type	Air Filter	Oil Filter
<b>1998 SUZUKI</b>				<b>1997 SUZUKI</b>			
LTA500 F Quadrunner	500		KN-138	Baleno	1.6L L4 F/I	33-2790	
			KN-138C	Baleno	1.8L L4 F/I	33-2790	
LTF160 Quadrunner	160	SU-1691	KN-132	DF9.9EL	9.9HP		KN-131
LTF250 Quadrunner 4x4	250	SU-2588	KN-132	DF9.9MS	9.9HP		KN-131
LTF300 King Quad	300	SU-2588	KN-132	DF15EL	15HP		KN-131
LTF500F Quadrunner	500	SU-5098	KN-138	DF15ML	15HP		KN-131
		SU-5098	KN-138C	DF15MS	15HP		KN-131
RF600R	580	SU-9094	KN-138	DR125	125		KN-132
		SU-9094	KN-138C	DR200SE	200		KN-132
RF900	938		KN-138	DR250SE Off Road	250		KN-136
			KN-138C	DR350	350	SU-3590	KN-136
RM80	79	SU-8086		DR350 Off Road	350		KN-136
RM125	125	SU-2596		DR350SE	350	SU-3590	KN-136
Sidekick	1.6L L4 F/I		HP-1002	DR650SE	650	SU-6596	KN-137
Sidekick	1.8L L4 F/I		HP-1003	DR800	778	SU-0006	KN-137
Super Carry	1.0L L4 F/I	E-9104		Esteem	1.6L L4 F/I	33-2162	HP-1002
Swift	1.3L L4 F/I	E-9132	HP-1002	GN125E	125		KN-131
Swift II	1.0L L3 F/I - Non-US, 50BHP	E-9139		GN250	250		KN-136
Swift II	1.0L L3 F/I - Non-US, Exc., 50BHP	E-9209		GS125	125 - Disc Brake		KN-131
Swift II	1.3L L4 F/I		HP-1002	GS500E	500	SU-5589	KN-133
Swift II	1.3L L4 F/I - 101BHP	E-9132	HP-1002	GSF600 Bandit	600	SU-7593	KN-138
		E-9193	HP-1002			SU-7593	KN-138C
Swift II	1.3L L4 F/I - Exc., 101BHP	E-9209	HP-1002	GSF600 Bandit S	600	SU-7593	KN-138
Swift II	1.6L L4 F/I	E-9209		GSF1200 Bandit S	1200	SU-7593	KN-138
TL1000R	1000	SU-0015	KN-138	GSF600 Bandit S	1200	SU-7593	KN-138
		SU-0015	KN-138C	GSX600F Katana	600	SU-7592	KN-138
TL1000S	1000	SU-0007-A	KN-138	GSX600F Katana	600	SU-7592	KN-138
		SU-0007-A	KN-138C	GSX750F Katana	750	SU-7592	KN-138
TU250X	250		KN-136	GSX750F Katana	750	SU-7592	KN-138
Vitara	1.6L L4 F/I - 257MM x 206MM	33-2700		GSXR600	600	SU-7596	KN-138
Vitara	1.6L L4 F/I - 284MM x 141MM	33-2654		GSXR600	600	SU-7596	KN-138
Vitara	1.6L L4 F/I - 297MM x 135MM	33-2065		GSXR750	750	SU-7596	KN-138
Vitara	1.9L L4 DSL	33-2155		GSXR750	750	SU-7596	KN-138
Vitara	2.0L L4 DSL	33-2155		GSXR1100W	1075	SU-7593	KN-138
Vitara	2.0L L4 F/I	33-2155				SU-7593	KN-138
Vitara	2.0L V6 F/I	33-2155		LS650 Savage	650	SU-6595	KN-137
Vitara	2.5L V6 F/I	33-2155		LT4WD	300		KN-132
VL1500LC Intruder	1500	SU-1598	KN-138	LT80 QuadSport	80	SU-8087	
		SU-1598	KN-138C	LT250 Quadrunner 2x4	250	SU-2588	KN-132
VS600 GLF	600		KN-138	LTF160 Quadrunner	160	SU-1691	KN-132
			KN-138C	LTF250 Quadrunner 4x4	250	SU-2588	KN-132
VS800 Intruder	800	SU-7086	KN-138	LTF300 King Quad	300	SU-2588	KN-132
		SU-7086	KN-138C	RF600R	580	SU-9094	KN-138
VS1400GLP Intruder	1400	SU-1487	KN-138	RF900R	938	SU-9094	KN-138
		SU-1487	KN-138C			SU-9094	KN-138C
VZ800 Marauder	800		KN-138	RM80	79	SU-8086	
			KN-138C	RM125	125	SU-2596	
VZ800 Marauder	800 - Jet kit required, purchase separately	SU-5589*	KN-138	Sidekick	1.6L L4 F/I		HP-1002
Wagon R Plus	1.0L L4 F/I	33-2826		Sidekick	1.8L L4 F/I		HP-1003
Wagon R Plus	1.2L L4 F/I	33-2826		Super Carry	1.0L L4 F/I	E-9104	
X-90	1.6L L4 F/I		HP-1002	Swift	1.3L L4 F/I	E-9209	HP-1002
XF650 Freewind	650		KN-137	Swift II	1.0L L3 F/I - Non-US, 50BHP	E-9139	
				Swift II	1.0L L3 F/I - Non-US, Exc., 50BHP	E-9209	
				Swift II	1.3L L4 F/I		HP-1002
				Swift II	1.3L L4 F/I - 101BHP	E-9132	HP-1002
						E-9193	HP-1002
<b>1997 SUZUKI</b>				Swift II	1.3L L4 F/I - Exc., 101BHP	E-9209	HP-1002
Alto III	1.0L L4 F/I	33-2709		Swift II	1.6L L4 F/I	E-9209	
AN125 Burgman	125		KN-131				
AN150 Burgman	150		KN-131				
Baleno	1.3L L4 F/I	33-2790					

\*Indicates 2 filters required

◆ - Intake kit available

Applications updated daily at [knfilters.com](http://knfilters.com) ®



# AIR & OIL FILTERS

# SUZUKI

Vehicle	Engine Type	Air Filter	Oil Filter	Vehicle	Engine Type	Air Filter	Oil Filter
<b>1997 SUZUKI</b>				<b>1996 SUZUKI</b>			
TL1000S	1000	SU-0007-A	KN-138	GSXR1100W	1075	SU-7593	KN-138
		SU-0007-A	KN-138C			SU-7593	KN-138C
Vitara	1.6L L4 F/I - 257MM x 206MM	33-2700 ♦		LS650 Savage	650	SU-6595	KN-137
Vitara	1.6L L4 F/I - 284MM x 141MM	33-2654 ♦		LT4WD	300		KN-132
Vitara	1.6L L4 F/I - 297MM x 135MM	33-2065 ♦		LT80 QuadSport	80	SU-8087	
Vitara	1.9L L4 DSL	33-2155		LT250 Quadrunner 2x4	250	SU-2588	KN-132
Vitara	2.0L L4 DSL	33-2155		LTF160 Quadrunner	160	SU-1691	KN-132
Vitara	2.0L L4 F/I	33-2155		LTF250 Quadrunner 4x4	250	SU-2588	KN-132
Vitara	2.0L V6 F/I	33-2155		LTF300 King Quad	300	SU-2588	KN-132
Vitara	2.5L V6 F/I	33-2155		RF600R	580	SU-9094	KN-138
VS600GL Intruder	599		KN-138			SU-9094	KN-138C
			KN-138C	RF900R	938	SU-9094	KN-138
VS800 Intruder	800	SU-7086	KN-138			SU-9094	KN-138C
		SU-7086	KN-138C	RM80	79	SU-8086	
VS1400GLP Intruder	1400	SU-1487	KN-138	RM125	125	SU-2596	
		SU-1487	KN-138C	Sidekick	1.6L L4 F/I	33-2065	HP-1002
VX800	800		KN-138	Sidekick	1.8L L4 F/I		HP-1003
			KN-138C	Super Carry	1.0L L4 F/I	E-9104	
VZ800 Marauder	800		KN-138	Swift	1.3L L4 F/I	E-9209	HP-1002
			KN-138C	Swift II	1.0L L3 F/I - Non-US, 50BHP	E-9139	
VZ800 Marauder	800 - Jet kit required, purchase separately	SU-5589*	KN-138	Swift II	1.0L L3 F/I - Non-US, Exc., 50BHP	E-9209	
X-90	1.6L L4 F/I	33-2065	HP-1002	Swift II	1.3L L4 F/I		HP-1002
XF650 Freewind	650		KN-137	Swift II	1.3L L4 F/I - 101BHP	E-9132	HP-1002
<b>1996 SUZUKI</b>						E-9193	HP-1002
Alto III	1.0L L4 F/I - From 4/96	33-2709		Swift II	1.3L L4 F/I - Exc., 101BHP	E-9209	HP-1002
Alto III	1.0L L4 F/I - To 3/96	E-2570		Swift II	1.6L L4 F/I	E-9209	
AN125 Burgman	125		KN-131	Vitara	1.6L L4 F/I - 257MM x 206MM	33-2700 ♦	
AN150 Burgman	150		KN-131	Vitara	1.6L L4 F/I - 284MM x 141MM	33-2654 ♦	
Baleno	1.3L L4 F/I	33-2790		Vitara	1.6L L4 F/I - 297MM x 135MM	33-2065 ♦	
Baleno	1.6L L4 F/I	33-2790		Vitara	1.9L L4 DSL	33-2155	
Baleno	1.8L L4 F/I	33-2790		Vitara	2.0L L4 DSL	33-2155	
DR125SE Raider	125		KN-132	Vitara	2.0L L4 F/I	33-2155	
DR200SE	200		KN-132	Vitara	2.0L V6 F/I	33-2155	
DR250S	250		KN-136	Vitara	2.5L V6 F/I	33-2155	
DR250SE Off Road	250		KN-136	VS600GL Intruder	599		KN-138
DR350	350	SU-3590	KN-136				KN-138C
DR350 Off Road	350		KN-136	VS800 Intruder	800	SU-7086	KN-138
DR350S	350	SU-3590	KN-136			SU-7086	KN-138C
DR650SE	650	SU-6596	KN-137	VS1400GLP Intruder	1400	SU-1487	KN-138
DR800	778	SU-0006	KN-137			SU-1487	KN-138C
Esteem	1.6L L4 F/I	33-2162	HP-1002	VX800	801		KN-138
GN125E	125		KN-131				KN-138C
GN250	250		KN-136	X-90	1.6L L4 F/I	33-2065	HP-1002
GS125	125 - Disc Brake		KN-131	<b>1995 SUZUKI</b>			
GS500E	500	SU-5589	KN-133	Alto III	1.0L L4 F/I	E-2570	
GSF600 Bandit	600	SU-7593	KN-138	AN150 Burgman	150		KN-131
		SU-7593	KN-138C	Baleno	1.3L L4 F/I	33-2790	
GSF600 Bandit S	600	SU-7593	KN-138	Baleno	1.6L L4 F/I	33-2790	
		SU-7593	KN-138C	DR125SE Raider	125		KN-132
GSF1200 Bandit S	1200	SU-7593	KN-138	DR250SE	250	SU-3590	KN-136
		SU-7593	KN-138C	DR250SE Off Road	250		KN-136
GSX600F Katana	600	SU-7592	KN-138	DR350	350	SU-3590	KN-136
		SU-7592	KN-138C	DR350 Off Road	350		KN-136
GSX750F Katana	750	SU-7592	KN-138	DR350S	350	SU-3590	KN-136
		SU-7592	KN-138C	DR650S	650	SU-6590	KN-137
GSX1100F Katana	1100		KN-138	DR800	778	SU-0006	KN-137
			KN-138C	Esteem	1.6L L4 F/I	33-2162	HP-1002
GSX1100G	1118	SU-1191	KN-138	GN125E	125		KN-131
		SU-1191	KN-138C				
GSXR750	750	SU-7596	KN-138				
		SU-7596	KN-138C				

\*Indicates 2 filters required    ♦ - Intake kit available    Applications updated daily at [knfilters.com](http://knfilters.com) ®

**Partial Listing - Complete List of Vehicles and Applications at [knfilters.com](http://knfilters.com)**

# SUZUKI

# AIR & OIL FILTERS

Vehicle	Engine Type	Air Filter	Oil Filter	Vehicle	Engine Type	Air Filter	Oil Filter
<b>1995 SUZUKI</b>				<b>1994 SUZUKI</b>			
GN250	250		KN-136	Alto III	1.0L L4 F/I	E-2570	
GS125	125 - Disc Brake		KN-131	Cappuccino	0.7 L3 F/I	33-2709	
GS500E	500	SU-5589	KN-133	DR125SE Raider	125		KN-132
GSF400 Bandit	399	SU-0008	KN-133	DR250S	250		KN-136
GSF600 Bandit	600		KN-138	DR250SE	250	SU-3590	KN-136
			KN-138C	DR250SE Off Road	250		KN-136
GSF600 Bandit S	600		KN-138	DR350	350	SU-3590	KN-136
			KN-138C	DR350 Off Road	350		KN-136
GSX600F Katana	600	SU-7592	KN-138	DR350S	350	SU-3590	KN-136
		SU-7592	KN-138C	DR650S	650	SU-6590	KN-137
GSX750F Katana	750	SU-7592	KN-138	DR800	778		KN-137
		SU-7592	KN-138C	GN125E	125		KN-131
GSX1100F Katana	1100		KN-138	GN250	250		KN-136
			KN-138C	GS125	125 - Disc Brake		KN-131
GSX1100G	1118	SU-1191	KN-138	GS500E	500	SU-5589	KN-133
		SU-1191	KN-138C	GSF400 Bandit	399	SU-0008	KN-133
GSXR750W	750	SU-7593	KN-138	GSX600F Katana	600	SU-7592	KN-138
		SU-7593	KN-138C			SU-7592	KN-138C
GSXR1100W	1075	SU-7593	KN-138	GSX750F Katana	750	SU-7592	KN-138
		SU-7593	KN-138C			SU-7592	KN-138C
LS650 Savage	650	SU-6595	KN-137	GSX1100F Katana	1100	SU-7592	KN-138
LT4WD	300		KN-132			SU-7592	KN-138C
LT80 QuadSport	80	SU-8087		GSX1100G	1118	SU-1191	KN-138
LT250 Quadrunner 2x4	250	SU-2588	KN-132			SU-1191	KN-138C
LTF160 Quadrunner	160	SU-1691	KN-132	GSXR750W	750	SU-7593	KN-138
LTF250 Quadrunner 4x4	250	SU-2588	KN-132			SU-7593	KN-138C
LTF300 King Quad	300	SU-2588	KN-132	GSXR1100W	1075	SU-7593	KN-138
RF600R	580	SU-9094	KN-138			SU-7593	KN-138C
		SU-9094	KN-138C	LS650 Savage	650		KN-137
RF900R	938	SU-9094	KN-138	LT4WD	300		KN-132
		SU-9094	KN-138C	LT80 QuadSport	80	SU-8087	
RM80	79	SU-8086		LT250 Quadrunner 2x4	250	SU-2588	KN-132
Samurai	1.3L L4 F/I	E-2553	HP-1002	LTF160 Quadrunner	160	SU-1691	KN-132
Sidekick	1.6L L4 MFI	33-2065	HP-1002	LTF250 Quadrunner 4x4	250	SU-2588	KN-132
Sidekick	1.6L L4 TBI	33-2700	HP-1002	LTF300 King Quad	300	SU-2588	KN-132
Super Carry	1.0L L4 F/I	E-9104		RF600R	580	SU-9094	KN-138
Swift	1.3L L4 F/I	E-9209	HP-1002			SU-9094	KN-138C
Swift II	1.0L L3 F/I - Non-US, 50BHP	E-9139		RF900R	938	SU-9094	KN-138
						SU-9094	KN-138C
Swift II	1.0L L3 F/I - Non-US, Exc., 50BHP	E-9209		RM80	79	SU-8086	
Swift II	1.3L L4 F/I		HP-1002	Samurai	1.3L L4 F/I	E-2553	HP-1002
Swift II	1.3L L4 F/I - 101BHP	E-9132	HP-1002	Sidekick	1.6L L4 MFI	33-2065	HP-1002
		E-9193	HP-1002	Sidekick	1.6L L4 TBI	33-2700	HP-1002
Swift II	1.3L L4 F/I - Exc., 101BHP	E-9209	HP-1002	Super Carry	1.0L L4 CARB	E-2310	
Swift II	1.6L L4 F/I	E-9209		Super Carry	1.0L L4 F/I	E-9104	
Vitara	1.6L L4 F/I - 257MM x 206MM	33-2700 ♦		Swift	1.0L L3 F/I	E-9209	HP-1002
Vitara	1.6L L4 F/I - 284MM x 141MM	33-2654 ♦		Swift	1.3L L4 F/I		HP-1002
Vitara	1.6L L4 F/I - 297MM x 135MM	33-2065 ♦		Swift II	1.0L L3 F/I		HP-1002
Vitara	1.9L L4 DSL	33-2155		Swift II	1.0L L3 F/I - Non-US, 50BHP	E-9139	HP-1002
Vitara	2.0L V6 F/I	33-2155		Swift II	1.0L L3 F/I - Non-US, Exc., 50BHP	E-9209	HP-1002
Vitara	2.5L V6 F/I	33-2155		Swift II	1.3L L4 F/I		HP-1002
VS600GL Intruder	599		KN-138	Swift II	1.3L L4 F/I - 101BHP	E-9132	HP-1002
			KN-138C			E-9193	HP-1002
VS800 Intruder	800	SU-7086	KN-138	Swift II	1.3L L4 F/I - Exc., 101BHP	E-9209	HP-1002
		SU-7086	KN-138C	Swift II	1.6L L4 F/I	E-9209	
VS1400 Intruder	1400	SU-1487	KN-138	Vitara	1.6L L4 F/I - 257MM x 206MM	33-2700 ♦	
		SU-1487	KN-138C	Vitara	1.6L L4 F/I - 284MM x 141MM	33-2654 ♦	
VX800	801		KN-138	Vitara	1.6L L4 F/I - 297MM x 135MM	33-2065 ♦	
			KN-138C	Vitara	2.0L V6 F/I	33-2155	
X-90	1.6L L4 F/I	33-2065					

\*Indicates 2 filters required

♦ - Intake kit available

Applications updated daily at [knfilters.com](http://knfilters.com) ♦

# AIR & OIL FILTERS

# SUZUKI

Vehicle	Engine Type	Air Filter	Oil Filter	Vehicle	Engine Type	Air Filter	Oil Filter
<b>1994 SUZUKI</b>				<b>1993 SUZUKI</b>			
VS800 Intruder	800	SU-7086	KN-138	Swift II	1.0L L3 F/I - Non-US, Exc., 50BHP	E-9209	HP-1002
		SU-7086	KN-138C	Swift II	1.3L L4 F/I		HP-1002
VS1400 Intruder	1400	SU-1487	KN-138	Swift II	1.3L L4 F/I - 101BHP	E-9132	HP-1002
		SU-1487	KN-138C			E-9193	HP-1002
VX800	801		KN-138	Swift II	1.3L L4 F/I - Exc., 101BHP	E-9209	HP-1002
			KN-138C	Swift II	1.6L L4 F/I	E-9209	HP-1002
<b>1993 SUZUKI</b>				Vitara	1.6L L4 F/I - 257MM x 206MM	33-2700 ♦	
Alto II	0.8L L3 CARB	E-2570		Vitara	1.6L L4 F/I - 284MM x 141MM	33-2654 ♦	
DR125SE Raider	125		KN-132	Vitara	1.6L L4 F/I - 297MM x 135MM	33-2065 ♦	
DR250 Off Road	250		KN-136	VS800 Intruder	800	SU-7086	KN-138
DR250S	250		KN-136			SU-7086	KN-138C
DR250SE	250	SU-3590	KN-136	VS1400 Intruder	1400	SU-1487	KN-138
DR250SE Off Road	250		KN-136			SU-1487	KN-138C
DR350	350	SU-3590	KN-136	VX800	801		KN-138
DR350 Off Road	350		KN-136				KN-138C
DR350S	350	SU-3590	KN-136	<b>1992 SUZUKI</b>			
DR650S	650	SU-6590	KN-137	Alto II	0.8L L3 CARB	E-2570	
DR800	778		KN-137	DR125SE Raider	125		KN-132
GN125E	125		KN-131	DR250S	250	SU-3590	KN-136
GN250	250		KN-136	DR350	350	SU-3590	KN-136
GS125	125 - Disc Brake		KN-131	DR350 Off Road	350		KN-136
GS400	400		KN-133	DR350S	350	SU-3590	KN-136
GS500E	500	SU-5589	KN-133	DR650S	650	SU-6590	KN-137
GSF400 Bandit	399	SU-0008	KN-133	DR800	778		KN-137
GSX600F Katana	600	SU-7592	KN-138	DS650	650		KN-137
		SU-7592	KN-138C	GN125E	125		KN-131
GSX750F Katana	750	SU-7592	KN-138	GN250	250		KN-136
		SU-7592	KN-138C	GS125	125 - Disc Brake		KN-131
GSX1100F Katana	1100	SU-7592	KN-138	GS500E	500	SU-5589	KN-133
		SU-7592	KN-138C	GSF400 Bandit	399	SU-0008	KN-133
GSX1100G	1118	SU-1191	KN-138	GSX600F Katana	600	SU-7592	KN-138
		SU-1191	KN-138C			SU-7592	KN-138C
GSXR600W	600	SU-7593	KN-138	GSX750F Katana	750	SU-7592	KN-138
		SU-7593	KN-138C			SU-7592	KN-138C
GSXR750W	750	SU-7593	KN-138	GSX1100F Katana	1100	SU-7592	KN-138
		SU-7593	KN-138C			SU-7592	KN-138C
GSXR1100W	1075	SU-7593	KN-138	GSX1100G	1118	SU-1191	KN-138
		SU-7593	KN-138C			SU-1191	KN-138C
GSXR1100W	1118	SU-7593	KN-138	GSXR400	399		KN-138
		SU-7593	KN-138C				KN-138C
LS650 Savage	650		KN-137	GSXR600W	600	SU-7593	KN-138
LT4WD	300		KN-132			SU-7593	KN-138C
LT80 QuadSport	80	SU-8087		GSXR750	750	SU-7588	KN-138
LT230E Quadrunner	230	SU-2391	KN-132			SU-7588	KN-138C
LT250 Quadrunner 2x4	250	SU-2588	KN-132	GSXR750W	750		KN-138
LTF160 Quadrunner	160	SU-1691	KN-132				KN-138C
LTF250 Quadrunner 4x4	250	SU-2588	KN-132	GSXR1100	1075	SU-7588	KN-138
LTF300 King Quad	300	SU-2588	KN-132			SU-7588	KN-138C
RF600R	580		KN-138	GSXR1100	1118	SU-7588	KN-138
			KN-138C			SU-7588	KN-138C
RM80	79	SU-8086		GSXR1100W	1100		KN-138
Samurai	1.3L L4 F/I	E-2553	HP-1002				KN-138C
Sidekick	1.6L L4 MFI	33-2065	HP-1002	LS650 Savage	650		KN-137
Sidekick	1.6L L4 TBI	33-2700	HP-1002	LT4WD	300		KN-132
Super Carry	1.0L L4 CARB	E-2310		LT80 QuadSport	80	SU-8087	
Super Carry	1.0L L4 F/I	E-9104		LT160E Quadrunner	160	SU-1691	KN-132
Swift	1.0L L3 F/I		HP-1002	LT230E Quadrunner	230	SU-2391	KN-132
Swift	1.3L L4 F/I		HP-1002	LT250 Quadrunner 2x4	250	SU-2588	KN-132
Swift	1.6L L4 F/I		HP-1002	LT250R Quadracer	250	SU-4250	
Swift II	1.0L L3 F/I		HP-1002	LTF160 Quadrunner	160	SU-1691	KN-132
Swift II	1.0L L3 F/I - Non-US, 50BHP	E-9139	HP-1002				

\*Indicates 2 filters required      ♦ - Intake kit available      Applications updated daily at [knfilters.com](http://knfilters.com) ®

**Partial Listing - Complete List of Vehicles and Applications at [knfilters.com](http://knfilters.com)**

# SUZUKI

# AIR & OIL FILTERS

Vehicle	Engine Type	Air Filter	Oil Filter	Vehicle	Engine Type	Air Filter	Oil Filter
<b>1992 SUZUKI</b>				<b>1991 SUZUKI</b>			
LTF250 Quadrunner 4x4	250	SU-2588	KN-132	GSXR750	750	SU-7588	KN-138C
LTF300 King Quad	300	SU-2588	KN-132	GSXR750 Sling Shot	750		KN-138
RM80	79	SU-8086					KN-138C
Samurai	1.3L L4 F/I	E-2553	HP-1002	GSXR1100	1075	SU-7588	KN-138
SG350	350		KN-136			SU-7588	KN-138C
Sidekick	1.6L L4 MFI	33-2065	HP-1002	GSXR1100	1118	SU-7588	KN-138
Sidekick	1.6L L4 TBI	33-2700	HP-1002			SU-7588	KN-138C
Super Carry	1.0L L4 CARB	E-2310		LS650 Savage	650		KN-137
Super Carry	1.0L L4 F/I	E-9104		LT4WD	300		KN-132
Swift	1.0L L3 F/I		HP-1002	LT80 QuadSport	80	SU-8087	
Swift	1.3L L4 F/I		HP-1002	LT160E Quadrunner	160	SU-1691	KN-132
Swift	1.3L L4 F/I - DOHC	E-9132	HP-1002	LT230E Quadrunner	230	SU-2391	KN-132
Swift	1.3L L4 F/I - SOHC	E-9209	HP-1002	LT250 Quadrunner	250	SU-2588	KN-132
Swift II	1.0L L3 F/I		HP-1002	2x4			
Swift II	1.0L L3 F/I - Non-US, 50BHP	E-9139	HP-1002	LT250R Quadracer	250	SU-4250	
Swift II	1.0L L3 F/I - Non-US, Exc., 50BHP	E-9209	HP-1002	LTF160 Quadrunner	160	SU-1691	KN-132
Swift II	1.3L L4 F/I		HP-1002	LTF250 Quadrunner 4x4	250	SU-2588	KN-132
Swift II	1.3L L4 F/I - 101BHP	E-9132 ♦	HP-1002	LTF300 King Quad	300	SU-2588	KN-132
		E-9193 ♦	HP-1002	RM80	79	SU-8086	
Swift II	1.3L L4 F/I - Exc., 101BHP	E-9209 ♦	HP-1002	Samurai	1.3L L4 F/I	E-2553	HP-1002
Swift II	1.6L L4 F/I	E-9209		SG350	350		KN-136
Vitara	1.6L L4 F/I - 257MM x 206MM	33-2700		Sidekick	1.6L L4 F/I	33-2700	HP-1002
Vitara	1.6L L4 F/I - 284MM x 141MM	33-2654		Super Carry	1.0L L4 CARB	E-2310	
Vitara	1.6L L4 F/I - 297MM x 135MM	33-2065		Swift	1.3L L4 F/I		HP-1002
VS800 Intruder	800	SU-7086	KN-138	Swift II	1.0L L3 F/I - 50BHP	E-9139	
		SU-7086	KN-138C	Swift II	1.0L L3 F/I - Exc., 50BHP	E-9209	
VS1400 Intruder	1400	SU-1487	KN-138	Swift II	1.3L L4 F/I		HP-1002
		SU-1487	KN-138C	Swift II	1.3L L4 F/I - 101BHP	E-9132 ♦	HP-1002
VX800	801		KN-138			E-9193 ♦	HP-1002
			KN-138C	Swift II	1.3L L4 F/I - Exc., 101BHP	E-9209 ♦	HP-1002
				Swift II	1.6L L4 F/I	E-9209	
				Vitara	1.6L L4 F/I - 257MM x 206MM	33-2700	
				Vitara	1.6L L4 F/I - 284MM x 141MM	33-2654	
				Vitara	1.6L L4 F/I - 297MM x 135MM	33-2065	
				VS750 Intruder	750	SU-7086	KN-138
						SU-7086	KN-138C
				VS1400 Intruder	1400	SU-1487	KN-138
						SU-1487	KN-138C
				VX800	801		KN-138
							KN-138C
<b>1991 SUZUKI</b>				<b>1990 SUZUKI</b>			
Alto II	0.8L L3 CARB	E-2570		Alto II	0.8L L3 CARB	E-2570	
DR125SE Raider	125		KN-132	DR100	101		KN-131
DR200S	200		KN-132	DR125SE Raider	125		KN-132
DR250 Off Road	250		KN-136	DR200S	200		KN-132
DR250S	250	SU-3590	KN-136	DR250 Off Road	250		KN-136
DR350	350	SU-3590	KN-136	DR250S	250	SU-3590	KN-136
DR350 Off Road	350		KN-136	DR350	350	SU-3590	KN-136
DR350S	350	SU-3590	KN-136	DR350 Off Road	350		KN-136
DR600	600		KN-137	DR350S	350	SU-3590	KN-136
DR600R/L/M	600		KN-137	DR600	600		KN-137
DR600RSE/M	600		KN-137	DR600R/L/M	600		KN-137
DR650S	650	SU-6590	KN-137	DR650S	650	SU-6590	KN-137
DR800	778		KN-137	DR800	778		KN-137
GN125E	125		KN-131	GN250	250		KN-136
GN250	250		KN-136	GS125	125 - Disc Brake		KN-131
GS500E	500	SU-5589	KN-133	GS500E	500	SU-5589	KN-133
GSF400 Bandit	399	SU-0008	KN-133	GSF400 Bandit	399		KN-133
GSX600F Katana	600	SU-7592	KN-138	GSX400	400		KN-133
		SU-7592	KN-138C	GSX600F Katana	600	SU-7592	KN-138
GSX750F Katana	750	SU-7592	KN-138				
		SU-7592	KN-138C				
GSX1100F Katana	1100	SU-7592	KN-138				
		SU-7592	KN-138C				
GSX1100G	1118	SU-1191	KN-138				
		SU-1191	KN-138C				
GSXR400	399		KN-138				
			KN-138C				
GSXR750	750	SU-7588	KN-138				

\*Indicates 2 filters required

♦ - Intake kit available

Applications updated daily at [knfilters.com](http://knfilters.com) ®

# AIR & OIL FILTERS

# SUZUKI

Vehicle	Engine Type	Air Filter	Oil Filter	Vehicle	Engine Type	Air Filter	Oil Filter
<b>1990 SUZUKI</b>				<b>1989 SUZUKI</b>			
GSX600F Katana	600	SU-7592	KN-138C	GSX600F Katana	600	SU-7592	KN-138
GSX750F Katana	750	SU-7592	KN-138			SU-7592	KN-138C
		SU-7592	KN-138C	GSX750	750		KN-133
GSX1100F Katana	1100	SU-7592	KN-138	GSX750F Katana	750	SU-7592	KN-138
		SU-7592	KN-138C			SU-7592	KN-138C
GSXR400	399		KN-138	GSX1100F Katana	1100	SU-7592	KN-138
			KN-138C			SU-7592	KN-138C
GSXR750	750	SU-7588	KN-138	GSXR250	250		KN-133
		SU-7588	KN-138C	GSXR400	400		KN-133
GSXR750 Sling Shot	750		KN-138	GSXR750	750	SU-7588	KN-138
			KN-138C			SU-7588	KN-138C
GSXR1100	1075	SU-7588	KN-138	GSXR750 Sling Shot	750		KN-138
		SU-7588	KN-138C				KN-138C
GSXR1100	1118	SU-7588	KN-138	GSXR1100	1100	SU-7588	KN-138
		SU-7588	KN-138C			SU-7588	KN-138C
LS650 Savage	650		KN-137	LS650 Savage	650		KN-137
LT4WD	300		KN-132	LT4WD	300		KN-132
LT80 QuadSport	80	SU-8087		LT80 QuadSport	80	SU-8087	
LT160E Quadrunner	160	SU-1691	KN-132	LT160E Quadrunner	160	SU-1691	KN-132
LT230E Quadrunner	230	SU-2391	KN-132	LT230E Quadrunner	230	SU-2391	KN-132
LT250 Quadrunner 2x4	250	SU-2588	KN-132	LT250 Quadrunner 2x4	250	SU-2588	KN-132
LT250R Quadracer	250	SU-4250		LT250R Quadracer	250	SU-4250	
LT250S	250		KN-132	LT250S	250		KN-132
LTF250 Quadrunner 4x4	250	SU-2588	KN-132	LT300E	300		KN-132
				LTF250 Quadrunner 4x4	250	SU-2588	KN-132
Samurai	1.3L L4 CARB	E-2553	HP-1002	Samurai	1.3L L4 CARB	E-2553	HP-1002
Samurai	1.3L L4 F/I	E-2553	HP-1002	Sidekick	1.3L L4 CARB		HP-1002
Sidekick	1.6L L4 F/I	33-2700	HP-1002	Sidekick	1.6L L4 F/I	33-2700	HP-1002
SJ413	1.3L L4 CARB	E-2553		SJ413	1.3L L4 CARB	E-2553	
Super Carry	1.0L L4 CARB	E-2310		Super Carry	1.0L L4 CARB	E-2310	
Swift	1.3L L4 F/I - DOHC	E-9132	HP-1002	Swift	1.3L L4 F/I		HP-1002
Swift	1.3L L4 F/I - SOHC	E-9209	HP-1002	Swift	1.3L L4 F/I - DOHC	E-9132	HP-1002
Swift II	1.0L L3 F/I - 50BHP	E-9139		Swift	1.3L L4 F/I - SOHC	E-9209	HP-1002
Swift II	1.0L L3 F/I - Exc., 50BHP	E-9209		Swift I	1.3L L4 F/I - 101BHP	33-2523 ♦	
Swift II	1.3L L4 F/I		HP-1002	Swift I	1.3L L4 F/I - Exc., 101BHP	E-2734 ♦	
Swift II	1.3L L4 F/I - 101BHP	E-9132 ♦	HP-1002	Swift II	1.0L L3 F/I - Exc., 50BHP	E-9209	
		E-9193 ♦	HP-1002	Swift II	1.3L L4 F/I		HP-1002
Swift II	1.3L L4 F/I - Exc., 101BHP	E-9209 ♦	HP-1002	Swift II	1.3L L4 F/I - 101BHP	E-9132 ♦	HP-1002
Swift II	1.6L L4 F/I	E-9209				E-9193 ♦	HP-1002
Vitara	1.6L L4 F/I - 257MM x 206MM	33-2700		Swift II	1.3L L4 F/I - Exc., 101BHP	E-9209 ♦	HP-1002
Vitara	1.6L L4 F/I - 284MM x 141MM	33-2654		Vitara	1.6L L4 F/I - 257MM x 206MM	33-2700	
Vitara	1.6L L4 F/I - 297MM x 135MM	33-2065		Vitara	1.6L L4 F/I - 284MM x 141MM	33-2654	
VS750 Intruder	750	SU-7086	KN-138	Vitara	1.6L L4 F/I - 297MM x 135MM	33-2065	
		SU-7086	KN-138C	VS750 Intruder	750	SU-7086	KN-138
VS1400 Intruder	1400	SU-1487	KN-138			SU-7086	KN-138C
		SU-1487	KN-138C	VS1400 Intruder	1400	SU-1487	KN-138
VX800	801		KN-138			SU-1487	KN-138C
			KN-138C				
<b>1989 SUZUKI</b>				<b>1988 SUZUKI</b>			
Alto II	0.8L L3 CARB	E-2570		Alto II	0.8L L3 CARB	E-2570	
DR100	100		KN-131	DR100	100		KN-131
DR125SE Raider	125		KN-132	DR125	125		KN-132
DR200S	200		KN-132	DR125SE Raider	125		KN-132
DR600	600		KN-137	DR200	200		KN-132
DR750	750		KN-137	DR200S	200		KN-132
DR800	800		KN-137	DR250S	250		KN-136
GN250	250		KN-136	DR600	600		KN-137
GS125	125 - Disc Brake		KN-131	DR750	750		KN-137
GS500E	500	SU-5589	KN-133	DR800	800		KN-137
GSX400	400		KN-133				

\*Indicates 2 filters required

♦ - Intake kit available

Applications updated daily at [knfilters.com](http://knfilters.com) ®

**Partial Listing - Complete List of Vehicles and Applications at [knfilters.com](http://knfilters.com)**

# SUZUKI

# AIR & OIL FILTERS

Vehicle	Engine Type	Air Filter	Oil Filter	Vehicle	Engine Type	Air Filter	Oil Filter
<b>1988 SUZUKI</b>				<b>1987 SUZUKI</b>			
Forsa	1.0L L3 CARB		HP-1002	GS450L	450		KN-133
GN250	250		KN-136	GSX400	400		KN-133
GS125	125 - Disc Brake		KN-131	GSX550	550		KN-133
GS450L	450		KN-133	GSX750	750		KN-133
GS500E	500		KN-133	GSX1100F Katana	1100	SU-7592	KN-138
GSX400	400		KN-133			SU-7592	KN-138C
GSX600F Katana	600	SU-7592	KN-138	GSXR400	400		KN-133
		SU-7592	KN-138C	GSXR750	750	SU-7586	KN-134
GSX750	750		KN-133	GSXR750F	750		KN-134
GSX1100F Katana	1100	SU-7592	KN-138	GSXR750G	750	SU-7586	KN-134
		SU-7592	KN-138C	GSXR750H	750	SU-7586	KN-134
GSXR250	250		KN-133	GSXR750HG	750		KN-134
GSXR400	400		KN-133	GSXR750R	750		KN-134
GSXR750	750	SU-7588	KN-138	GSXR750XH	750		KN-134
		SU-7588	KN-138C	GSXR1100	1100	SU-7586	KN-138
GSXR750 Sling Shot	750		KN-138			SU-7586	KN-138C
			KN-138C	GV1400 Cavalcade	1400		KN-138
GSXR1100	1100	SU-7586	KN-138				KN-138C
		SU-7586	KN-138C	LS650 Savage	650		KN-137
GV1400 Cavalcade	1400		KN-138	LT4WD	300		KN-132
			KN-138C	LT80 QuadSport	80	SU-8087	
LS650 Savage	650		KN-137	LT125	125		KN-131
LT4WD	300		KN-132	LT185	185		KN-131
LT230E Quadrunner	230	SU-2391	KN-132	LT230E Quadrunner	230	SU-2391	KN-132
LT230S QuadSport	230	SU-4230	KN-132	LT230G	230		KN-132
LT250 Quadrunner 2x4	250	SU-2588	KN-132	LT230S QuadSport	230	SU-4230	KN-132
LT250R QuadRacer	250	SU-4250		LT250R QuadRacer	250	SU-4250	
LT300E	300		KN-132	LT300E	300		KN-132
LTF250 Quadrunner 4x4	250	SU-2588	KN-132	LTF230	230	SU-2391	KN-132
Samurai	1.0L L4 CARB	E-9104		Samurai	1.3L L4 CARB	E-2553	HP-1002
Samurai	1.3L L4 CARB	E-2553	HP-1002	SJ410	1.0L L3 CARB	E-9104	
SJ410	1.0L L3 CARB	E-9104		SJ413	1.3L L4 CARB	E-2553	
SJ413	1.3L L4 CARB	E-2553		SP125	125		KN-132
SP125	125		KN-132	SP200	200		KN-132
SP200	200		KN-132	Swift I	1.3L L4 F/I - 101BHP	33-2523 ♦	
Swift I	1.0L L3 F/I	E-2734		Swift I	1.3L L4 F/I - Exc., 101BHP	E-2734 ♦	
Swift I	1.3L L4 F/I - 101BHP	33-2523 ♦		VS700 Intruder	700	SU-7086	KN-138
Swift I	1.3L L4 F/I - Exc., 101BHP	E-2734 ♦				SU-7086	KN-138C
Vitara	1.6L L4 F/I - 257MM x 206MM	33-2700		VS750 Intruder	750		KN-138
Vitara	1.6L L4 F/I - 284MM x 141MM	33-2654					KN-138C
Vitara	1.6L L4 F/I - 297MM x 135MM	33-2065		VS1400 Intruder	1400	SU-1487	KN-138
VS700 Intruder	700		KN-138			SU-1487	KN-138C
			KN-138C	<b>1986 SUZUKI</b>			
VS750 Intruder	750	SU-7086	KN-138	ALT125	125		KN-131
		SU-7086	KN-138C	Alto II	0.8L L3 CARB	E-2570	
VS1400 Intruder	1400	SU-1487	KN-138	DR125	125		KN-132
		SU-1487	KN-138C	DR125SE Raider	125		KN-132
<b>1987 SUZUKI</b>				DR200	200		KN-132
Alto II	0.8L L3 CARB	E-2570		DR200S	200		KN-132
DR100	100		KN-131	DR250S	250		KN-136
DR125	125		KN-132	DR600	600		KN-137
DR125SE Raider	125		KN-132	Forsa	1.0L L3 CARB		HP-1002
DR200	200		KN-132	GN250	250		KN-136
DR200S	200		KN-132	GS450E	450		KN-133
DR600	600		KN-137	GS450L	450		KN-133
Forsa	1.0L L3 CARB	HP-1002		GS550ES	550	SU-5503	KN-133
GN250	250		KN-136	GS550L	550	SU-5503	KN-133
GS125	125 - Disc Brake		KN-131	GS700	700	SU-7503	
GS450E	450		KN-133	GS1150E	1150	SU-1284	KN-133
				GSX400	400		KN-133
				GSX400 X Impulse	400		KN-133
				GSX550	550		KN-133
				GSX750	750		KN-133

\*Indicates 2 filters required

♦ - Intake kit available

Applications updated daily at [knfilters.com](http://knfilters.com) ®

# AIR & OIL FILTERS

# SUZUKI

Vehicle	Engine Type	Air Filter	Oil Filter	Vehicle	Engine Type	Air Filter	Oil Filter
<b>1986 SUZUKI</b>				<b>1985 SUZUKI</b>			
GSX750 Katana	750		KN-133	GSXR750XH	750		KN-134
GSXR400	400		KN-133	GV700 Madura	700	SU-5589	KN-134
GSXR750	750	SU-7586	KN-134	GV1200 Madura	1200	SU-5589	KN-134
GSXR750F	750		KN-134	LT125	125		KN-131
GSXR750G	750	SU-7586	KN-134	LT185	185		KN-131
GSXR750H	750	SU-7586	KN-134	LT230G	230	SU-2391	KN-132
GSXR750HG	750		KN-134	LT230S QuadSport	230	SU-4230	KN-132
GSXR750R	750	SU-7586	KN-134	LT250E	250		KN-132
GSXR750XH	750		KN-134	LT250R QuadRacer	250	SU-4250	
GSXR1100	1100	SU-7586	KN-138	Samurai	1.3L L4 CARB	E-2553	HP-1002
		SU-7586	KN-138C	SJ410	1.0L L3 CARB	E-9104	
GV1200 Madura	1200	SU-5589	KN-134	SJ410	1.6L L4 CARB		HP-1002
GV1400 Cavalcade	1400		KN-134	SJ413	1.3L L4 CARB	E-2553	HP-1002
LS650 Savage	650		KN-137	SP250	250		KN-136
LT125	125		KN-131	SP600	600		KN-137
LT185	185		KN-131	VS750	750		KN-134
LT230E Quadrunner	230		KN-132	<b>1984 SUZUKI</b>			
LT230G	230	SU-2391	KN-132	ALT125	125		KN-131
LT230S QuadSport	230	SU-4230	KN-132	ALT185	185		KN-131
LT250E	250		KN-132	Alto I	0.8L L3 CARB	E-2570	
LT250R QuadRacer	250	SU-4250		DR125	125		KN-131
LTF230	230	SU-2391	KN-132	DR125 S	125		KN-131
RM80	80	SU-8086		DR250S	250		KN-136
Samurai	1.3L L4 CARB	E-2553	HP-1002	DR500	500		KN-137
SJ410	1.0L L3 CARB	E-9104		DR500 Off Road	500		KN-137
SJ413	1.3L L4 CARB	E-2553		GN250	250		KN-136
SP125	125		KN-132	GR650	650		KN-133
SP200	200		KN-132	GS125	125 - Disc Brake		KN-131
Swift I	1.3L L4 F/I - 101BHP	33-2523 ♦		GS450E	450		KN-133
Swift I	1.3L L4 F/I - Exc., 101BHP	E-2734 ♦		GS450L	450		KN-133
VS700 Intruder	700	SU-7086	KN-134	GS550ES	550	SU-5503	KN-133
VS750	750		KN-134	GS650GL	650		KN-133
<b>1985 SUZUKI</b>				GS750	750	SU-1250	KN-133
ALT125	125		KN-131	GS850G	850		KN-133
ALT185	185		KN-131	GS850GL	850		KN-133
Alto I	0.8L L3 CARB	E-2570		GS1000	1000		KN-133
DR100	100		KN-131	GS1100GK	1100	SU-1200	KN-133
DR125SE Raider	125		KN-132	GS1150E	1150	SU-1284	KN-133
DR250	250		KN-136	GSX250 Katana	250		KN-133
DR250S	250		KN-136	GSX400	400		KN-133
DR600	600		KN-137	GSX750	750	SU-1250	KN-133
GN250	250		KN-136	GSX750 Katana	750		KN-133
GR650	650		KN-133	GSX1000 Katana	1000		KN-138
GS450GA	450		KN-133				KN-138C
GS450L	450		KN-133	GSX1100E	1100	SU-1284	KN-133
GS550E	550	SU-5503	KN-133	GSX1100S Katana	1100		KN-133
GS550ES	550	SU-5503	KN-133	LJ80	0.8L L4 CARB	E-9104	
GS550L	550	SU-5503	KN-133	LT125	125		KN-131
GS700	700	SU-7503	KN-133	LT185	185		KN-131
GS700E	700	SU-7503	KN-133	Samurai	1.3L L4 CARB	E-2553	
GS750	750	SU-1250	KN-133	SJ410	1.0L L3 CARB	E-9104	HP-1002
GS1100GK	1100		KN-133	SP250	250		KN-136
GS1150E	1150	SU-1284	KN-133	XN85 D Turbo	650		KN-133
GSX400	400		KN-133	<b>1983 SUZUKI</b>			
GSX550	550		KN-133	ALT125	125		KN-131
GSX750	750	SU-1250	KN-133	DR100	100		KN-131
GSX750 Katana	750		KN-133	DR125	125		KN-131
GSX1100E	1100	SU-1284	KN-133	DR125 S	125		KN-131
GSXR400	400		KN-133	DR250	250		KN-136
GSXR750F	750		KN-134	DR250S	250		KN-136
GSXR750G	750		KN-134	DR500	500		KN-137
GSXR750H	750		KN-134	DR500 Off Road	500		KN-137
GSXR750HG	750		KN-134	GN125	125		KN-131

\*Indicates 2 filters required

♦ - Intake kit available

Applications updated daily at [knfilters.com](http://knfilters.com) ®

**Partial Listing - Complete List of Vehicles and Applications at [knfilters.com](http://knfilters.com)**

# SUZUKI

# AIR & OIL FILTERS

Vehicle	Engine Type	Air Filter	Oil Filter	Vehicle	Engine Type	Air Filter	Oil Filter
<b>1983 SUZUKI</b>				<b>1982 SUZUKI</b>			
GN250	250		KN-136	GS650G	650		KN-133
GR650	650		KN-133	GS650GL	650		KN-133
GR650 Tempter	650		KN-133	GS750	750	SU-1250	KN-133
GR650X Tempter	650		KN-133	GS850G	850	SU-1200	KN-133
GS300L	300		KN-133	GS850GL	850	SU-1200	KN-133
GS450GA	450		KN-133	GS1000	1000		KN-133
GS450L	450		KN-133	GS1000G	1000		KN-133
GS550E	550	SU-5503	KN-133	GS1000GL	1000		KN-133
GS550ES	550	SU-5503	KN-133	GS1000S	1000		KN-133
GS550ES3	550	SU-5503	KN-133	GS1100E	1100	SU-1250	KN-133
GS550L	550	SU-5503	KN-133	GS1100G	1100	SU-1200	KN-133
GS650G	650		KN-133	GS1100GK	1100	SU-1200	KN-133
GS650GL	650		KN-133	GS1100GL	1100	SU-1200	KN-133
GS650M Katana	650		KN-133	GSX250	250		KN-133
GS750E	750	SU-7503	KN-133	GSX250 Katana	250		KN-133
GS750ES	750	SU-7503	KN-133	GSX400	400		KN-133
GS750S Katana	750	SU-1250	KN-133	GSX750	750	SU-1250	KN-133
GS850G	850	SU-1200	KN-133	GSX1000 Katana	1000		KN-138
GS850GL	850	SU-1200	KN-133				KN-138C
GS1000G	1000		KN-133	GSX1100S Katana	1100		KN-133
GS1000GL	1000		KN-133	LJ80	0.8L L4 CARB	E-9104	
GS1000S	1000		KN-133	SJ410	1.0L L3 CARB	E-9104	HP-1002
GS1100E	1100	SU-1250	KN-133	SP125	125		KN-131
GS1100G	1100	SU-1200	KN-133	SP250	250		KN-136
GS1100GK	1100	SU-1200	KN-133	SP500	500		KN-137
GS1100GL	1100	SU-1200	KN-133	<b>1981 SUZUKI</b>			
GS1100S	1100	SU-1250	KN-133	DR400S	400		KN-136
GS1150E	1150	SU-1284	KN-133	DR500	500		KN-137
GSX250 Katana	250		KN-133	GN400T	400		KN-136
GSX400	400		KN-133	GS250	250		KN-133
GSX550	550		KN-133	GS450E	450		KN-133
GSX750	750	SU-1250	KN-133	GS450L	450		KN-133
GSX1000 Katana	1000		KN-138	GS450S	450		KN-133
			KN-138C	GS450T	450		KN-133
GSX1100E	1100	SU-1250	KN-133	GS550E	550		KN-133
GSX1100S Katana	1100		KN-133	GS550L	550	SU-5500	KN-133
LJ80	0.8L L4 CARB	E-9104		GS550T	550	SU-5500	KN-133
LT125	125		KN-131	GS650E	650	SU-5500	KN-133
SJ410	1.0L L3 CARB	E-9104	HP-1002	GS650G	650		KN-133
SP100	100		KN-131	GS650GL	650		KN-133
SP250	250		KN-136	GS750	750	SU-1250	KN-133
<b>1982 SUZUKI</b>				GS850G	850	SU-1200	KN-133
DR125	125		KN-131	GS850GL	850	SU-1200	KN-133
DR125 S	125		KN-131	GS1000G	1000	SU-1200	KN-133
DR250	250		KN-136	GS1000GL	1000	SU-1200	KN-133
DR250S	250		KN-136	GS1000S	1000		KN-133
DR400	400		KN-136	GS1100E	1100	SU-1250	KN-133
DR500	500		KN-137	GSX250	250		KN-133
GN125	125		KN-131	GSX400	400		KN-133
GN250	250		KN-136	GSX750	750	SU-1250	KN-133
GN400T	400		KN-136	GSX1100S Katana	1100		KN-133
GS125	125 - Drum Brake		KN-131	LJ80	0.8L L4 CARB	E-9104	
GS300L	300		KN-133	SJ410	1.0L L3 CARB	E-9104	HP-1002
GS450E	450		KN-133	SP400T	400		KN-136
GS450GA	450		KN-133	<b>1980 SUZUKI</b>			
GS450L	450		KN-133	DR125 S	125		KN-131
GS450T	450		KN-133	DR400S	400		KN-136
GS450TX	450		KN-133	GN400T	400		KN-136
GS550 Katana	550	SU-5500	KN-133	GS250	250		KN-133
GS550E	550		KN-133	GS425E	425		KN-133
GS550L	550	SU-5500	KN-133	GS450E	450		KN-133
GS550M	550	SU-5500	KN-133	GS450L	450		KN-133
GS650E	650	SU-5500	KN-133	GS450S	450		KN-133

\*Indicates 2 filters required

◆ - Intake kit available

Applications updated daily at [knfilters.com](http://knfilters.com) ®



# AIR & OIL FILTERS

# SUZUKI

Vehicle	Engine Type	Air Filter	Oil Filter
<b>1980 SUZUKI</b>			
GS550E	550	SU-5500	KN-133
GS550L	550	SU-5500	KN-133
GS750	750	SU-1250	KN-133
GS850G	850	SU-1200	KN-133
GS850GL	850	SU-1200	KN-133
GS1000	1000		KN-133
GS1000E	1000	SU-1250	KN-133
GS1000G	1000	SU-1200	KN-133
GS1000GL	1000	SU-1200	KN-133
GS1000S	1000	SU-1250	KN-133
GS1100E	1100	SU-1250	KN-133
GS1100L	1100	SU-1250	KN-133
GSX250	250		KN-133
GSX400	400		KN-133
GSX750	750	SU-1250	KN-133
LJ80	0.8L L4 CARB	E-9104	
SJ410	1.0L L3 CARB	E-9104	HP-1002
SP400T	400		KN-136

<b>1979 SUZUKI</b>			
GS125	125 - Drum Brake		KN-131
GS400	400		KN-133
GS425	425		KN-133
GS550	550	SU-5500	KN-133
GS550E	550	SU-5500	KN-133
GS550L	550	SU-5500	KN-133
GS750	750	SU-1200	KN-133
GS850G	850	SU-1200	KN-133
GS850GL	850		KN-133
GS1000	1000	SU-1250	KN-133
GS1000E	1000	SU-1250	KN-133
GS1000L	1000	SU-1250	KN-133
GS1000S	1000	SU-1250	KN-133
GS550D	550		KN-133
GSX750	750		KN-133
SP400T	400		KN-136

<b>1978 SUZUKI</b>			
GS400	400		KN-133
GS550	550	SU-5500	KN-133
GS550E	550	SU-5500	KN-133
GS750	750	SU-1200	KN-133
GS1000	1000	SU-1250	KN-133
GS1000E	1000	SU-1250	KN-133
GS550D	550		KN-133

<b>1977 SUZUKI</b>			
GS400	400		KN-133
GS550	550	SU-5500	KN-133
GS750	750	SU-1200	KN-133

<b>2007 TATA</b>			
Indigo	1.1L L4 F/I	33-2921	
Indigo	1.3L L4 F/I	33-2921	
Indigo	1.4L L4 DSL	33-2921	
Indigo	1.4L L4 F/I	33-2921	

<b>2006 TATA</b>			
Indigo	1.4L L4 DSL	33-2921	
Indigo	1.4L L4 F/I	33-2921	

<b>2005 TATA</b>			
Indigo	1.4L L4 DSL	33-2921	
Indigo	1.4L L4 F/I	33-2921	

<b>2004 TATA</b>			
Indigo	1.4L L4 DSL	33-2921	

Vehicle	Engine Type	Air Filter	Oil Filter
<b>2004 TATA</b>			
Indigo	1.4L L4 F/I	33-2921	

<b>2003 TATA</b>			
Indigo	1.4L L4 DSL	33-2921	
Indigo	1.4L L4 F/I	33-2921	

<b>2002 TATA</b>			
Indigo	1.4L L4 DSL	33-2921	
Indigo	1.4L L4 F/I	33-2921	

## 2011 TOYOTA

4 Runner	2.7L L4 F/I		HP-1002
4 Runner	4.0L V6 F/I	33-2438	
Auris	1.3L L4 F/I	33-2360	
Auris	1.4L L4 DSL	33-2953	
Auris	1.6L L4 F/I	33-2360	
Auris	2.0L L4 DSL	33-2953	
Avalon	3.5L V6 F/I	33-2326	HP-7020
Avensis	1.6L L4 F/I	33-2360	
Avensis	1.8L L4 F/I	33-2360	
Avensis	2.0L L4 DSL	33-2953	
Avensis	2.0L L4 F/I	33-2360	
Avensis	2.2L L4 DSL	33-2953	
Aygo	1.0L L3 F/I	33-2131 ♦	
Camry	2.5L L4 F/I	33-2370	HP-7020
Camry	3.5L V6 F/I	33-2326 ♦	HP-7020
Camry Hybrid	2.4L L4 F/I	33-2260	HP-1003
Corolla	1.8L L4 F/I	33-2360	HP-7021
Corolla	2.4L L4 F/I	33-2360	HP-1003
FJ Cruiser	4.0L V6 F/I	33-2438	
Highlander	2.7L L4 F/I		HP-7020
Highlander	3.5L V6 F/I		HP-7020
Highlander Hybrid	3.5L V6 F/I	33-2344	HP-1002
Land Cruiser	3.0L L4 DSL	33-2146	
Land Cruiser	5.7L V8 F/I	33-2387	HP-7018
Matrix	1.8L L4 F/I	33-2360	HP-7021
Matrix	2.4L L4 F/I	33-2326	HP-1003
Prius	1.8L L4 F/I	33-2435	HP-7021
RAV4	2.5L L4 F/I		HP-7020
RAV4	3.5L V6 F/I		HP-7020
RAV4 III	2.0L L4 F/I	33-2355	
RAV4 III	2.2L L4 DSL	33-2345	
Sequoia	4.6L V8 F/I	33-2387	HP-7018
Sequoia	5.7L V8 F/I	33-2387 ♦	HP-7018
Sienna	2.7L L4 F/I		HP-7020
Sienna	3.5L V6 F/I		HP-7020
Tacoma	2.7L L4 F/I	33-2306 ♦	HP-1002
Tacoma	4.0L V6 F/I	33-2281 ♦	HP-1002
Tundra	4.0L V6 F/I	33-2281	HP-1002
Tundra	4.6L V8 F/I	33-2387	HP-7018
Tundra	5.7L V8 F/I	33-2387 ♦	HP-7018
Urban Cruiser	1.3L L4 F/I	33-2211	
Venza	2.7L L4 F/I	33-2370	HP-7020
Venza	3.5L V6 F/I	33-2326	HP-7020
Verso	1.6L L4 F/I	33-2360	
Verso	1.8L L4 F/I	33-2360	
Verso	2.0L L4 DSL	33-2953	
Verso	2.2L L4 DSL	33-2953	
Yaris	1.0L L3 F/I	33-2131 ♦	
Yaris	1.3L L4 F/I	33-2211	
Yaris	1.5L L4 F/I	33-2360	HP-1003
Yaris	1.8L L4 F/I	33-2360 ♦	

<b>2010 TOYOTA</b>			
4 Runner	2.7L L4 F/I		HP-1002
4 Runner	4.0L V6 F/I	33-2438 ♦	

\*Indicates 2 filters required

♦ - Intake kit available

Applications updated daily at [knfilters.com](http://knfilters.com) ®

Partial Listing - Complete List of Vehicles and Applications at [knfilters.com](http://knfilters.com)

# TOYOTA

# AIR & OIL FILTERS

Vehicle	Engine Type	Air Filter	Oil Filter	Vehicle	Engine Type	Air Filter	Oil Filter
<b>2010 TOYOTA</b>				<b>2009 TOYOTA</b>			
Auris	1.3L L4 F/I	33-2360		Avensis	1.6L L4 F/I	33-2360	
Auris	1.4L L4 DSL	33-2953		Avensis	1.8L L4 F/I	33-2360	
Auris	1.6L L4 F/I	33-2360		Avensis	2.0L L4 DSL	33-2953	
Auris	2.0L L4 DSL	33-2953		Avensis	2.0L L4 F/I	33-2360	
Auris	2.2L L4 DSL	33-2953		Avensis	2.2L L4 DSL	33-2953	
Avalon	3.5L V6 F/I	33-2326	HP-7020	Avensis	2.4L L4 F/I	33-2252	
Avanza	1.5L L4 F/I		HP-1003	Aygo	1.0L L3 F/I	33-2131 ♦	
Avensis	1.6L L4 F/I	33-2360		Camry	2.4L L4 F/I	33-2370 ♦	HP-1003
Avensis	1.8L L4 F/I	33-2360		Camry	3.5L V6 F/I	33-2326 ♦	HP-7020
Avensis	2.0L L4 DSL	33-2953		Camry Hybrid	2.4L L4 F/I	33-2260	HP-1003
Avensis	2.0L L4 F/I	33-2360		Corolla	1.4L L4 DSL	33-2953	
Avensis	2.2L L4 DSL	33-2953		Corolla	1.4L L4 F/I	33-2360	
Aygo	1.0L L3 F/I	33-2131 ♦		Corolla	1.6L L4 F/I	33-2360	
Camry	2.5L L4 F/I	33-2370	HP-7020	Corolla	1.8L L4 F/I	33-2360 ♦	HP-7021
Camry	3.5L V6 F/I	33-2326 ♦	HP-7020	Corolla	2.0L L4 DSL	33-2953	
Camry Hybrid	2.4L L4 F/I	33-2260	HP-1003	Corolla	2.4L L4 F/I	33-2326	HP-1003
Corolla	1.8L L4 F/I	33-2360 ♦	HP-7021	FJ Cruiser	4.0L V6 F/I	33-2281 ♦	HP-1002
Corolla	2.4L L4 F/I	33-2326	HP-1003	HiAce IV	2.5L L4 DSL	38-9203	
FJ Cruiser	4.0L V6 F/I	33-2438 ♦		HiAce IV	2.7L L4 F/I		HP-1002
HiAce IV	2.5L L4 DSL	38-9203		Highlander	2.7L L4 F/I	33-2260	HP-7020
HiAce IV	2.7L L4 F/I		HP-1002	Highlander	3.5L V6 F/I	33-2260	HP-7020
Highlander	2.7L L4 F/I	33-2260	HP-7020	Highlander Hybrid	3.3L V6 F/I	33-2344	HP-1002
Highlander	3.5L V6 F/I	33-2260	HP-7020	Hilux	2.7L L4 F/I		HP-1002
Highlander Hybrid	3.3L V6 F/I	33-2344	HP-1002	Land Cruiser	3.0L L4 DSL	33-2146	
Hilux	2.7L L4 F/I		HP-1002	Land Cruiser	5.7L V8 F/I	33-2387	HP-7018
Land Cruiser	3.0L L4 DSL	33-2146		Matrix	1.8L L4 F/I	33-2360	HP-7021
Land Cruiser	5.7L V8 F/I	33-2387	HP-7018	Matrix	2.4L L4 F/I	33-2326	HP-1003
Matrix	1.8L L4 F/I	33-2360	HP-7021	Prius	1.8L L4 F/I	33-2435	HP-7021
Matrix	2.4L L4 F/I	33-2326	HP-1003	RAV4	2.5L L4 F/I	33-2355	HP-7020
Prius	1.8L L4 F/I	33-2435	HP-7021	RAV4	3.5L V6 F/I	33-2355	HP-7020
RAV4	2.5L L4 F/I	33-2355	HP-7020	RAV4 III	2.0L L4 F/I	33-2355	
RAV4	3.5L V6 F/I	33-2355	HP-7020	RAV4 III	2.2L L4 DSL	33-2345	
RAV4 III	2.0L L4 F/I	33-2355		RAV4 III	3.5L V6 F/I	33-2355	
RAV4 III	2.2L L4 DSL	33-2345		Sequoia	4.7L V8 F/I		HP-1002
Sequoia	4.6L V8 F/I	33-2387	HP-7018	Sequoia	5.7L V8 F/I	33-2387 ♦	HP-7018
Sequoia	5.7L V8 F/I	33-2387 ♦	HP-7018	Sienna	3.5L V6 F/I	33-2260	HP-7020
Sienna	3.5L V6 F/I	33-2260	HP-7020	Solara	2.4L L4 F/I	33-2260	
Tacoma	2.7L L4 F/I	33-2306 ♦	HP-1002	Tacoma	2.7L L4 F/I	33-2306 ♦	HP-1002
Tacoma	4.0L V6 F/I	33-2281 ♦	HP-1002	Tacoma	4.0L V6 F/I	33-2281 ♦	HP-1002
Tundra	4.0L V6 F/I	33-2281 ♦	HP-1002	Tundra	4.0L V6 F/I	33-2281 ♦	HP-1002
Tundra	4.7L V8 F/I	33-2387 ♦	HP-1002	Tundra	4.7L V8 F/I	33-2387 ♦	HP-1002
Tundra	4.6L V8 F/I	33-2387	HP-7018	Tundra	5.7L V8 F/I	33-2387 ♦	HP-7018
Tundra	5.7L V8 F/I	33-2387 ♦	HP-7018	Urban Cruiser	1.3L L4 F/I	33-2211	
Urban Cruiser	1.3L L4 F/I	33-2211		Venza	2.7L L4 F/I	33-2370	HP-7020
Venza	2.7L L4 F/I	33-2370	HP-7020	Venza	3.5L V6 F/I	33-2326 ♦	HP-7020
Venza	3.5L V6 F/I	33-2326 ♦	HP-7020	Verso	1.6L L4 F/I	33-2252 ♦	
Verso	1.6L L4 F/I	33-2360		Verso	1.8L L4 F/I	33-2252 ♦	
Verso	1.8L L4 F/I	33-2360		Verso	2.2L L4 DSL	33-2953	
Verso	2.0L L4 DSL	33-2953		Yaris	1.0L L3 F/I	33-2131 ♦	
Verso	2.2L L4 DSL	33-2953		Yaris	1.3L L4 F/I - 101BHP	33-2211	
Yaris	1.0L L3 F/I	33-2131 ♦		Yaris	1.3L L4 F/I - 87BHP	33-2131	
Yaris	1.3L L4 F/I	33-2211		Yaris	1.5L L4 F/I	33-2360 ♦	HP-1003
Yaris	1.5L L4 F/I	33-2360 ♦	HP-1003	Yaris	1.8L L4 F/I	33-2360 ♦	
Yaris	1.8L L4 F/I	33-2360 ♦		<b>2008 TOYOTA</b>			
<b>2009 TOYOTA</b>				4 Runner	4.0L V6 F/I	33-2281 ♦	HP-1002
4 Runner	4.0L V6 F/I	33-2281	HP-1002	4 Runner	4.7L V8 F/I	33-2144 ♦	HP-1002
4 Runner	4.7L V8 F/I		HP-1002	Auris	1.4L L4 DSL	33-2953	
Auris	1.3L L4 F/I	33-2360		Auris	1.4L L4 F/I	33-2360 ♦	
Auris	1.4L L4 DSL	33-2953		Auris	1.6L L4 F/I	33-2360 ♦	
Auris	1.4L L4 F/I	33-2360 ♦		Auris	2.0L L4 DSL	33-2953	
Auris	1.6L L4 F/I	33-2360 ♦		Auris	2.2L L4 DSL	33-2953	
Auris	2.0L L4 DSL	33-2953		Avalon	3.5L V6 F/I	33-2326	HP-7020
Auris	2.2L L4 DSL	33-2953		Avensis	1.6L L4 F/I	33-2252 ♦	
Avalon	3.5L V6 F/I	33-2326	HP-7020	Avensis	1.8L L4 F/I	33-2252 ♦	

\*Indicates 2 filters required

♦ - Intake kit available

Applications updated daily at [knfilters.com](http://knfilters.com) ®

# AIR & OIL FILTERS

# TOYOTA

Vehicle	Engine Type	Air Filter	Oil Filter	Vehicle	Engine Type	Air Filter	Oil Filter
<b>2008 TOYOTA</b>				<b>2007 TOYOTA</b>			
Avensis	2.0L L4 DSL	33-2926		Avensis Verso	2.0L L4 F/I	33-2739	
Avensis	2.0L L4 F/I	33-2252 ♦		Aygo	1.0L L3 F/I	33-2131 ♦	
Avensis	2.2L L4 DSL	33-2926		Aygo	1.4L L4 DSL	33-2840	
Avensis	2.4L L4 F/I	33-2252 ♦		Camry	2.4L L4 F/I	33-2370 ♦	HP-1003
Aygo	1.0L L3 F/I	33-2131 ♦		Camry	3.5L V6 F/I	33-2326 ♦	HP-7020
Aygo	1.4L L4 DSL	33-2840		Camry Hybrid	2.4L L4 F/I	33-2260	HP-1003
Camry	2.4L L4 F/I	33-2370 ♦	HP-1003	Corolla	1.4L L4 DSL - from 4/07	33-2953	
Camry	3.5L V6 F/I	33-2326 ♦	HP-7020	Corolla	1.4L L4 DSL - to 3/07	33-2835	
Camry Hybrid	2.4L L4 F/I	33-2260	HP-1003	Corolla	1.4L L4 F/I	33-2360 ♦	
Corolla	1.4L L4 DSL	33-2953		Corolla	1.6L L4 F/I - from 4/07	33-2360 ♦	
Corolla	1.4L L4 F/I	33-2360		Corolla	1.6L L4 F/I - to 3/07	33-2252 ♦	
Corolla	1.6L L4 F/I	33-2360		Corolla	1.8L L4 F/I	33-2252 ♦	HP-1003
Corolla	1.8L L4 F/I	33-2252 ♦	HP-1003	Corolla	2.0L L4 DSL	33-2953	
Corolla	2.0L L4 DSL	33-2953		Corolla	2.2L L4 DSL	33-2926	
FJ Cruiser	4.0L V6 F/I	33-2281 ♦	HP-1002	FJ Cruiser	4.0L V6 F/I	33-2281 ♦	HP-1002
HiAce IV	2.5L L4 DSL	38-9203		HiAce IV	2.5L L4 DSL	38-9203	
HiAce IV	2.7L L4 F/I		HP-1002	HiAce IV	2.7L L4 F/I		HP-1002
Highlander	3.5L V6 F/I	33-2260	HP-7020	Highlander	2.4L L4 F/I	33-2260	HP-1003
Highlander Hybrid	3.3L V6 F/I	33-2344	HP-1002	Highlander	3.3L V6 F/I	33-2260	HP-1002
Hilux	2.5L L4 DSL	38-9203		Highlander Hybrid	3.3L V6 F/I	33-2344	HP-1002
Hilux	2.7L L4 F/I		HP-1002	Hilux	2.5L L4 DSL	38-9203	
Land Cruiser	5.7L V8 F/I	33-2387	HP-7018	Hilux	2.7L L4 F/I		HP-1002
Matrix	1.8L L4 F/I	33-2252	HP-1003	Land Cruiser	4.7L V8 F/I	33-2146	HP-1002
Prius	1.5L L4 F/I	33-2329	HP-1003	Matrix	1.8L L4 F/I	33-2252	HP-1003
RAV4	2.4L L4 F/I	33-2355	HP-1003	Prius	1.5L L4 F/I	33-2329	HP-1003
RAV4	3.5L V6 F/I	33-2355	HP-7020	RAV4	2.4L L4 F/I	33-2355	HP-1003
RAV4 III	2.0L L4 F/I	33-2355		RAV4	3.5L V6 F/I	33-2355	HP-7020
RAV4 III	2.2L L4 DSL	33-2345		RAV4 III	2.0L L4 F/I	33-2355	
RAV4 III	2.4L L4 F/I	33-2355	HP-1003	RAV4 III	2.2L L4 DSL	33-2345	
RAV4 III	3.5L V6 F/I	33-2355		RAV4 III	2.4L L4 F/I	33-2355	HP-1003
Sequoia	4.7L V8 F/I		HP-1002	RAV4 III	3.5L V6 F/I	33-2355	
Sequoia	5.7L V8 F/I	33-2387 ♦	HP-7018	Sequoia	4.7L V8 F/I	33-2144 ♦	HP-1002
Sienna	3.5L V6 F/I	33-2260	HP-7020	Sienna	3.5L V6 F/I	33-2260	HP-7020
Solara	2.4L L4 F/I	33-2260	HP-1003	Solara	2.4L L4 F/I	33-2260	HP-1003
Solara	3.3L V6 F/I	33-2260	HP-1002	Solara	3.3L V6 F/I	33-2260	HP-1002
Tacoma	2.7L L4 F/I	33-2306 ♦	HP-1002	Tacoma	2.7L L4 F/I	33-2306 ♦	HP-1002
Tacoma	4.0L V6 F/I	33-2281 ♦	HP-1002	Tacoma	4.0L V6 F/I	33-2281 ♦	HP-1002
Tundra	4.0L V6 F/I	33-2281 ♦	HP-1002	Tundra	4.0L V6 F/I	33-2281 ♦	HP-1002
Tundra	4.7L V8 F/I	33-2387 ♦	HP-1002	Tundra	4.7L V8 F/I	33-2387 ♦	HP-1002
Tundra	5.7L V8 F/I	33-2387 ♦	HP-7018	Tundra	5.7L V8 F/I	33-2387 ♦	HP-7018
Verso	1.6L L4 F/I	33-2252 ♦		Verso	1.6L L4 F/I	33-2252 ♦	
Verso	1.8L L4 F/I	33-2252 ♦		Verso	1.8L L4 F/I	33-2252 ♦	
Verso	2.2L L4 DSL	33-2953		Verso	2.2L L4 DSL	33-2953	
Yaris	1.0L L3 F/I	33-2131 ♦		Yaris	1.0L L3 F/I	33-2131 ♦	
Yaris	1.3L L4 F/I	33-2131		Yaris	1.3L L4 F/I	33-2131	
Yaris	1.5L L4 F/I	33-2360 ♦	HP-1003	Yaris	1.5L L4 F/I	33-2360 ♦	HP-1003
Yaris	1.8L L4 F/I	33-2360 ♦		Yaris	1.8L L4 F/I	33-2360 ♦	
<b>2007 TOYOTA</b>				<b>2006 TOYOTA</b>			
4 Runner	4.0L V6 F/I	33-2281 ♦	HP-1002	4 Runner	4.0L V6 F/I	33-2281 ♦	HP-1002
4 Runner	4.7L V8 F/I	33-2144 ♦	HP-1002	4 Runner	4.7L V8 F/I	33-2144 ♦	HP-1002
Auris	1.4L L4 DSL	33-2953		Avalon	3.5L V6 F/I	33-2326	HP-7020
Auris	1.4L L4 F/I	33-2360 ♦		Avensis	1.6L L4 F/I	33-2252 ♦	
Auris	1.6L L4 F/I	33-2360 ♦		Avensis	1.8L L4 F/I	33-2252 ♦	
Auris	2.0L L4 DSL	33-2953		Avensis	2.0L L4 DSL - from 9/06	33-2926	
Auris	2.2L L4 DSL	33-2953		Avensis	2.0L L4 DSL - to 8/06	33-2835	
Avalon	3.5L V6 F/I	33-2326	HP-7020	Avensis	2.0L L4 F/I	33-2252 ♦	
Avensis	1.6L L4 F/I	33-2252 ♦		Avensis	2.2L L4 DSL	33-2926	
Avensis	1.8L L4 F/I	33-2252 ♦		Avensis	2.4L L4 F/I	33-2252 ♦	
Avensis	2.0L L4 DSL	33-2926		Avensis Verso	2.0L L4 DSL	33-2030	
Avensis	2.0L L4 F/I	33-2252 ♦		Avensis Verso	2.0L L4 F/I	33-2739	
Avensis	2.2L L4 DSL	33-2926		Aygo	1.0L L3 F/I	33-2131 ♦	
Avensis	2.4L L4 F/I	33-2252 ♦		Aygo	1.4L L4 DSL	33-2840	
Avensis Verso	2.0L L4 DSL	33-2030					

\*Indicates 2 filters required      ♦ - Intake kit available      Applications updated daily at [knfilters.com](http://knfilters.com) ®

**Partial Listing - Complete List of Vehicles and Applications at [knfilters.com](http://knfilters.com)**

# TOYOTA

# AIR & OIL FILTERS

Vehicle	Engine Type	Air Filter	Oil Filter	Vehicle	Engine Type	Air Filter	Oil Filter
<b>2006 TOYOTA</b>				<b>2005 TOYOTA</b>			
Camry	2.4L L4 F/I	33-2260 ♦	HP-1003	Celica GT	1.8L L4 F/I	33-2041-1	HP-1003
Camry	3.0L V6 F/I	33-2260	HP-1002	Celica GTS	1.8L L4 F/I	33-2041-1	HP-1003
Camry	3.3L V6 F/I	33-2260	HP-1002	Corolla	1.4L L4 DSL	33-2835	
Celica	1.8L L4 F/I	33-2041-1 ♦		Corolla	1.4L L4 F/I	33-2252 ♦	
Corolla	1.4L L4 DSL	33-2835		Corolla	1.6L L4 F/I	33-2252 ♦	
Corolla	1.4L L4 F/I	33-2252 ♦		Corolla	1.8L L4 F/I	33-2252 ♦	HP-1003
Corolla	1.6L L4 F/I	33-2252 ♦		Corolla	2.0L L4 DSL	33-2835	
Corolla	1.8L L4 F/I	33-2252 ♦	HP-1003	Corolla	2.2L L4 DSL	33-2926	
Corolla	2.0L L4 DSL	33-2835		Echo	1.5L L4 F/I	33-2211	HP-1003
Corolla	2.2L L4 DSL	33-2926		HiAce IV	2.4L L4 DSL	38-9203	
HiAce IV	2.5L L4 DSL	38-9203		HiAce IV	2.5L L4 DSL	38-9203	
HiAce IV	2.7L L4 F/I		HP-1002	HiAce IV	2.7L L4 F/I	38-9203	HP-1002
Highlander	2.4L L4 F/I	33-2260	HP-1003	Highlander	2.4L L4 F/I	33-2260	HP-1003
Highlander	3.3L V6 F/I	33-2260	HP-1002	Highlander	3.3L V6 F/I	33-2260	HP-1002
Highlander Hybrid	3.3L V6 F/I	33-2344	HP-1002	Hilux	2.5L L4 DSL	38-9203	
Hilux	2.5L L4 DSL	38-9203		Hilux	2.7L L4 F/I	E-2233	HP-1002
Hilux	2.7L L4 F/I		HP-1002	Hilux	3.0L L5 DSL	E-2015	
Land Cruiser	3.0L L4 DSL - w/Round Filter	E-2444		Land Cruiser	3.0L L5 F/I	E-2015	
Land Cruiser	4.2L L6 DSL - w/Round Filter	E-2444		Land Cruiser	3.0L L4 DSL - w/Round Filter	E-2444	
Land Cruiser	4.7L V8 F/I	33-2146	HP-1002	Land Cruiser	4.2L L6 DSL - w/Round Filter	E-2444	
Matrix	1.8L L4 F/I	33-2252	HP-1003	Land Cruiser	4.7L V8 F/I	33-2146 ♦	HP-1002
Matrix XR	1.8L L4 F/I	33-2252	HP-1003	Matrix	1.8L L4 F/I	33-2252	HP-1003
Matrix XRS	1.8L L4 F/I	33-2252 ♦	HP-1003	Matrix XR	1.8L L4 F/I	33-2252	HP-1003
Prius	1.5L L4 F/I	33-2329	HP-1003	Matrix XRS	1.8L L4 F/I	33-2252 ♦	HP-1003
RAV4	2.4L L4 F/I	33-2355	HP-1003	MR2 Spyder	1.8L L4 F/I	33-2041-1 ♦	HP-1003
RAV4	3.5L V6 F/I	33-2355	HP-7020	Previa	2.0L L4 DSL	33-2843	
RAV4 II	2.0L L4 F/I	33-2216		Previa	2.4L L4 F/I	33-2216	
RAV4 III	2.0L L4 F/I	33-2355		Prius	1.5L L4 F/I	33-2329	HP-1003
RAV4 III	2.2L L4 DSL	33-2345		RAV4	2.4L L4 F/I	33-2216	HP-1003
RAV4 III	2.4L L4 F/I	33-2355	HP-1003	RAV4 II	1.8L L4 F/I	33-2855	
RAV4 III	3.5L V6 F/I	33-2355		RAV4 II	2.0L L4 F/I	33-2216 ♦	
Sequoia	4.7L V8 F/I	33-2144 ♦	HP-1002	RAV4 III	2.0L L4 DSL	33-2843	
Sienna	3.3L V6 F/I	33-2260	HP-1002	RAV4 III	2.4L L4 F/I	33-2216	HP-1003
Solara	2.4L L4 F/I	33-2260 ♦	HP-1003	Sequoia	4.7L V8 F/I	33-2144 ♦	HP-1002
Solara	3.3L V6 F/I	33-2260	HP-1002	Sienna	3.3L V6 F/I	33-2260	HP-1002
Tacoma	2.7L L4 F/I	33-2306 ♦	HP-1002	Solara	2.4L L4 F/I	33-2260 ♦	HP-1003
Tacoma	4.0L V6 F/I	33-2281 ♦	HP-1002	Solara	3.3L V6 F/I	33-2260	HP-1002
Tundra	4.0L V6 F/I	33-2281 ♦	HP-1002	Tacoma	2.7L L4 F/I	33-2306 ♦	HP-1002
Tundra	4.7L V8 F/I	33-2144 ♦	HP-1002	Tacoma	4.0L V6 F/I	33-2281 ♦	HP-1002
Vigo	2.5L L4 DSL	E-2296		Tundra	4.0L V6 F/I	33-2281 ♦	HP-1002
Vigo	3.0L L4 DSL	E-2296		Tundra	4.7L V8 F/I	33-2144 ♦	HP-1002
Yaris	1.0L L3 F/I	33-2131 ♦		Vigo	2.5L L4 DSL	E-2296	
Yaris	1.3L L4 F/I	33-2131		Vigo	3.0L L4 DSL	E-2296	
Yaris	1.5L L4 F/I	33-2360 ♦	HP-1003	Yaris	1.0L L4 F/I	33-2131 ♦	
Yaris				Yaris	1.3L L4 F/I	33-2131	
<b>2005 TOYOTA</b>				<b>2004 TOYOTA</b>			
4 Runner	4.0L V6 F/I	33-2281 ♦	HP-1002	4 Runner	4.0L V6 F/I	33-2281 ♦	HP-1002
4 Runner	4.7L V8 F/I	33-2144 ♦	HP-1002	4 Runner	4.7L V8 F/I	33-2144 ♦	HP-1002
Avalon	3.5L V6 F/I	33-2326	HP-7020	Avalon	3.0L V6 F/I	33-2145-1	HP-1002
Avensis	1.6L L4 F/I	33-2252 ♦		Avensis	1.6L L4 F/I	33-2252 ♦	
Avensis	1.8L L4 F/I	33-2252 ♦		Avensis	1.8L L4 F/I	33-2252 ♦	
Avensis	2.0L L4 DSL	33-2835		Avensis	2.0L L4 DSL	33-2835	
Avensis	2.0L L4 F/I	33-2252 ♦		Avensis	2.0L L4 F/I	33-2252 ♦	
Avensis	2.2L L4 DSL	33-2926		Avensis	2.4L L4 F/I	33-2252 ♦	
Avensis	2.4L L4 F/I	33-2252 ♦		Avensis Verso	2.0L L4 DSL	33-2030	
Avensis Verso	2.0L L4 DSL	33-2030		Avensis Verso	2.0L L4 F/I	33-2739	
Avensis Verso	2.0L L4 F/I	33-2739		Aygo	1.0L L3 F/I	33-2131 ♦	
Aygo	1.0L L3 F/I	33-2131 ♦		Aygo	1.4L L4 DSL	33-2840	
Aygo	1.4L L4 DSL	33-2840		Camry	2.4L L4 F/I	33-2260 ♦	HP-1003
Camry	2.4L L4 F/I	33-2260 ♦	HP-1003	Camry	3.0L V6 F/I	33-2260	HP-1002
Camry	3.0L V6 F/I	33-2260	HP-1002	Camry	3.3L V6 F/I	33-2260	HP-1002
Camry	3.3L V6 F/I	33-2260	HP-1002	Celica	1.8L L4 F/I	33-2041-1 ♦	HP-1003
Celica	1.8L L4 F/I	33-2041-1 ♦	HP-1003	Celica GT	1.8L L4 F/I	33-2041-1 ♦	HP-1003
				Celica GTS	1.8L L4 F/I	33-2041-1 ♦	HP-1003

\*Indicates 2 filters required

♦ - Intake kit available

Applications updated daily at [knfilters.com](http://knfilters.com) ®

# AIR & OIL FILTERS

# TOYOTA

Vehicle	Engine Type	Air Filter	Oil Filter	Vehicle	Engine Type	Air Filter	Oil Filter
<b>2004 TOYOTA</b>				<b>2003 TOYOTA</b>			
Corolla	1.4L L4 DSL	33-2835		Camry	3.0L V6 F/I	33-2260	HP-1002
Corolla	1.4L L4 F/I	33-2252 ♦		Celica	1.8L L4 F/I	33-2041-1 ♦	
Corolla	1.6L L4 F/I	33-2252 ♦		Celica GT	1.8L L4 F/I	33-2041-1 ♦	HP-1003
Corolla	1.8L L4 F/I	33-2252 ♦	HP-1003	Celica GTS	1.8L L4 F/I	33-2041-1 ♦	HP-1003
Corolla	2.0L L4 DSL	33-2835		Corolla	1.4L L4 F/I	33-2252 ♦	
Echo	1.5L L4 F/I	33-2211	HP-1003	Corolla	1.6L L4 F/I	33-2252 ♦	
HiAce IV	2.4L L4 DSL	38-9203		Corolla	1.8L L4 F/I	33-2252 ♦	HP-1003
HiAce IV	2.5L L4 DSL	38-9203		Corolla	2.0L L4 DSL	33-2835	
HiAce IV	2.7L L4 F/I	38-9203	HP-1002	Echo	1.5L L4 F/I	33-2211	HP-1003
Highlander	2.4L L4 F/I	33-2260	HP-1003	HiAce IV	2.4L L4 DSL	38-9203	
Highlander	3.3L V6 F/I	33-2260	HP-1002	HiAce IV	2.5L L4 DSL	38-9203	
Hilux	2.5L L4 DSL	38-9203		HiAce IV	2.7L L4 F/I	38-9203	
Hilux	2.7L L4 F/I	E-2233	HP-1002	Highlander	2.4L L4 F/I	33-2260	HP-1003
Hilux	3.0L L5 DSL	E-2015		Highlander	3.0L V6 F/I	33-2260	HP-1002
Hilux	3.0L L5 F/I	E-2015		Hilux	2.5L L4 DSL	38-9203	
Land Cruiser	3.0L L4 DSL - w/Round Filter	E-2444		Hilux	2.7L L4 F/I	E-2233	HP-1002
Land Cruiser	3.4L V6 F/I	33-2054		Hilux	3.0L L5 DSL	E-2015	
Land Cruiser	4.2L L6 DSL - w/Round Filter	E-2444		Hilux	3.0L L5 F/I	E-2015	
Land Cruiser	4.7L V8 F/I	33-2146 ♦	HP-1002	Land Cruiser	3.0L L4 DSL	E-2444	
Matrix	1.8L L4 F/I	33-2252	HP-1003	Land Cruiser	3.4L L4 F/I	33-2054	
Matrix XR	1.8L L4 F/I	33-2252 ♦	HP-1003	Land Cruiser	4.2L L6 DSL	E-2444	
Matrix XRS	1.8L L4 F/I	33-2252 ♦	HP-1003	Land Cruiser	4.7L V8 F/I	33-2146 ♦	HP-1002
MR2 Spyder	1.8L L4 F/I	33-2041-1 ♦	HP-1003	Matrix	1.8L L4 F/I	33-2252	HP-1003
Prado	4.0L V6 F/I	33-2281		Matrix XR	1.8L L4 F/I	33-2252 ♦	HP-1003
Previa	2.0L L4 DSL	33-2843		Matrix XRS	1.8L L4 F/I	33-2252 ♦	HP-1003
Previa	2.4L L4 F/I	33-2216		MR2 Spyder	1.8L L4 F/I	33-2041-1 ♦	HP-1003
Prius	1.5L L4 F/I	33-2329	HP-1003	Prado	4.0L V6 F/I	33-2281	
RAV4	2.4L L4 F/I	33-2216	HP-1003	Previa	2.0L L4 DSL	33-2843	
RAV4 II	1.8L L4 F/I	33-2855		Previa	2.4L L4 F/I	33-2216	
RAV4 II	2.0L L4 F/I	33-2216 ♦		Prius	1.5L L4 F/I	33-2186	HP-1003
RAV4 III	2.0L L4 DSL	33-2843		RAV4	2.0L L4 F/I	33-2216	HP-1003
Sequoia	4.7L V8 F/I	33-2144 ♦	HP-1002	RAV4 II	1.8L L4 F/I	33-2855	
Sienna	3.3L V6 F/I	33-2260	HP-1002	RAV4 II	2.0L L4 F/I	33-2216 ♦	
Solara	2.4L L4 F/I	33-2260 ♦	HP-1003	RAV4 III	2.0L L4 DSL	33-2843	
Solara	3.3L V6 F/I	33-2260	HP-1002	Sequoia	4.7L V8 F/I	33-2144 ♦	HP-1002
Tacoma	2.4L L4 F/I	33-2050-1 ♦	HP-1002	Sienna	3.0L V6 F/I	33-2145-1	HP-1002
Tacoma	2.7L L4 F/I	33-2050-1 ♦	HP-1002	Solara	2.4L L4 F/I	33-2145-1 ♦	HP-1003
Tacoma	3.4L V6 F/I	33-2054 ♦	HP-1002	Solara	3.0L V6 F/I	33-2145-1	HP-1002
Tundra	3.4L V6 F/I	33-2144 ♦	HP-1002	Tacoma	2.4L L4 F/I	33-2050-1 ♦	HP-1002
Tundra	4.7L V8 F/I	33-2144 ♦	HP-1002	Tacoma	2.7L L4 F/I	33-2050-1 ♦	HP-1002
Yaris	1.0L L4 F/I	33-2131		Tacoma	3.4L V6 F/I	33-2054 ♦	HP-1002
Yaris	1.3L L4 F/I	33-2131		Tundra	3.4L V6 F/I	33-2144 ♦	HP-1002
Yaris	1.5L L4 F/I	33-2211 ♦		Tundra	4.7L V8 F/I	33-2144 ♦	HP-1002
<b>2003 TOYOTA</b>				<b>2002 TOYOTA</b>			
4 Runner	4.0L V6 F/I	33-2281 ♦	HP-1002	4 Runner	3.4L V6 F/I	33-2054 ♦	HP-1002
4 Runner	4.7L V8 F/I	33-2144 ♦	HP-1002	4 Runner	4.0L V6 F/I	33-2281	HP-1002
Avalon	3.0L V6 F/I	33-2145-1	HP-1002	4 Runner	4.7L V8 F/I	33-2144	HP-1002
Avensis	1.6L L4 F/I - from 3/03	33-2252 ♦		Avalon	3.0L V6 F/I	33-2145-1	HP-1002
Avensis	1.6L L4 F/I - to 2/03	33-2739 ♦		Avensis	1.6L L4 F/I	33-2739	
Avensis	1.8L L4 F/I - From 4/03	33-2252 ♦		Avensis	1.8L L4 F/I	33-2739	
Avensis	1.8L L4 F/I - to 3/03	33-2739 ♦		Avensis	2.0L L4 DSL - 90BHP	33-2739	
Avensis	2.0L L4 DSL - 90BHP, to 3/03	33-2739		Avensis	2.0L L4 DSL - Exc., 90BHP	33-2230	
Avensis	2.0L L4 DSL - Exc., 90BHP, to 3/03	33-2230		Avensis	2.0L L4 DSL - Exc., 90BHP	33-2230	
Avensis	2.0L L4 DSL - From 4/03	33-2835		Avensis	2.0L L4 F/I	33-2739	
Avensis	2.0L L4 F/I - from 3/03	33-2252 ♦		Avensis Verso	2.0L L4 DSL	33-2030	
Avensis	2.0L L4 F/I - to 2/03	33-2739 ♦		Avensis Verso	2.0L L4 F/I	33-2739	
Avensis	2.4L L4 F/I	33-2252 ♦		Camry	2.4L L4 F/I	33-2260 ♦	HP-1003
Avensis Verso	2.0L L4 DSL	33-2030		Camry	3.0L V6 F/I	33-2260	HP-1002
Avensis Verso	2.0L L4 F/I	33-2739		Celica	1.8L L4 F/I	33-2041-1 ♦	
Camry	2.4L L4 F/I	33-2260 ♦	HP-1003	Celica GT	1.8L L4 F/I	33-2041-1 ♦	HP-1003
				Celica GTS	1.8L L4 F/I	33-2041-1 ♦	HP-1003

\*Indicates 2 filters required      ♦ - Intake kit available      Applications updated daily at [knfilters.com](http://knfilters.com) ®

**Partial Listing - Complete List of Vehicles and Applications at [knfilters.com](http://knfilters.com)**

# TOYOTA

# AIR & OIL FILTERS

Vehicle	Engine Type	Air Filter	Oil Filter	Vehicle	Engine Type	Air Filter	Oil Filter
<b>2002 TOYOTA</b>				<b>2001 TOYOTA</b>			
Corolla	1.4L L4 F/I	33-2252 ♦		Corolla	2.0L L4 DSL	33-2835	
Corolla	1.6L L4 F/I	33-2252 ♦		Corolla	2.0L L4 F/I	33-2252	
Corolla	1.8L L4 F/I - Non-US	33-2252 ♦		Echo	1.5L L4 F/I	33-2211	HP-1003
Corolla	1.8L L4 F/I - US	33-2672 ♦	HP-1003	HiAce IV	2.4L L4 DSL	38-9203	
Corolla	1.9L L4 DSL	33-2835		HiAce IV	2.5L L4 DSL	38-9203	
Corolla	2.0L L4 DSL	33-2835		HiAce IV	2.7L L4 F/I	38-9203	
Echo	1.5L L4 F/I	33-2211	HP-1003	Highlander	2.4L L4 F/I	33-2260	HP-1003
HiAce IV	2.4L L4 DSL	38-9203		Highlander	3.0L V6 F/I	33-2260	HP-1002
HiAce IV	2.5L L4 DSL	38-9203		Hilux	2.5L L4 DSL	38-9203	
HiAce IV	2.7L L4 F/I	38-9203		Hilux	2.7L L4 F/I	E-2233	HP-1002
Highlander	2.4L L4 F/I	33-2260	HP-1003	Hilux	3.0L L5 DSL	E-2015	HP-3001
Highlander	3.0L V6 F/I	33-2260	HP-1002	Hilux	3.0L L5 F/I	E-2015	
Hilux	2.5L L4 DSL	38-9203		Land Cruiser	3.0L L4 DSL	E-2444	
Hilux	2.7L L4 F/I	E-2233	HP-1002	Land Cruiser	3.4L L4 F/I	33-2054	
Hilux	3.0L L5 DSL	E-2015		Land Cruiser	4.2L L6 DSL	E-2444	
Hilux	3.0L L5 F/I	E-2015		Land Cruiser	4.5L L6 F/I	E-2444	
Land Cruiser	3.0L L4 DSL	E-2444		Land Cruiser	4.7L V8 F/I	33-2146 ♦	HP-1002
Land Cruiser	3.4L L4 F/I	33-2054		MR2 Spyder	1.8L L4 F/I	33-2041-1 ♦	HP-1003
Land Cruiser	4.2L L6 DSL	E-2444		Picnic	2.0L L4 F/I	33-2030	
Land Cruiser	4.7L V8 F/I	33-2146 ♦	HP-1002	Picnic	2.2L L4 DSL	33-2798	
MR2 Spyder	1.8L L4 F/I	33-2041-1 ♦	HP-1003	Prado	3.0L V6 F/I	E-2444	
Previa	2.0L L4 DSL	33-2843		Previa	2.0L L4 DSL	33-2843	
Previa	2.4L L4 F/I	33-2216		Previa	2.4L L4 F/I	33-2216	
Prius	1.5L L4 F/I	33-2186	HP-1003	Prius	1.5L L4 F/I	33-2186	HP-1003
RAV4	2.0L L4 F/I	33-2216	HP-1003	RAV4	2.0L L4 F/I	33-2216	HP-1003
RAV4 II	1.8L L4 F/I	33-2855		RAV4 II	1.8L L4 F/I	33-2855	
RAV4 II	2.0L L4 F/I	33-2216 ♦		RAV4 II	2.0L L4 F/I	33-2216 ♦	
RAV4 III	2.0L L4 DSL	33-2843		RAV4 III	2.0L L4 DSL	33-2843	
Sequoia	4.7L V8 F/I	33-2144 ♦	HP-1002	Sequoia	4.7L V8 F/I	33-2144 ♦	HP-1002
Sienna	3.0L V6 F/I	33-2145-1	HP-1002	Sienna	3.0L V6 F/I	33-2145-1	HP-1002
Solara	2.4L L4 F/I	33-2145-1 ♦	HP-1003	Solara	2.2L L4 F/I	33-2145-1	HP-1003
Solara	3.0L V6 F/I	33-2145-1	HP-1002	Solara	3.0L V6 F/I	33-2145-1	HP-1002
Tacoma	2.4L L4 F/I	33-2050-1 ♦	HP-1002	Tacoma	2.4L L4 F/I	33-2050-1 ♦	HP-1002
Tacoma	2.7L L4 F/I	33-2050-1 ♦	HP-1002	Tacoma	2.7L L4 F/I	33-2050-1 ♦	HP-1002
Tacoma	3.4L V6 F/I	33-2054 ♦	HP-1002	Tacoma	3.4L V6 F/I	33-2054 ♦	HP-1002
Tundra	3.4L V6 F/I	33-2144 ♦	HP-1002	Tundra	3.4L V6 F/I	33-2144 ♦	HP-1002
Tundra	4.7L V8 F/I	33-2144 ♦	HP-1002	Tundra	4.7L V8 F/I	33-2144 ♦	HP-1002
Yaris	1.0L L4 F/I	33-2131		Yaris	1.0L L4 F/I	33-2131	
Yaris	1.3L L4 F/I	33-2131		Yaris	1.3L L4 F/I	33-2131	
Yaris	1.5L L4 F/I	33-2211 ♦		Yaris	1.5L L4 F/I	33-2211 ♦	
<b>2001 TOYOTA</b>				<b>2000 TOYOTA</b>			
4 Runner	3.4L V6 F/I	33-2054 ♦	HP-1002	4 Runner	2.7L L4 F/I	33-2050-1 ♦	HP-1002
Avalon	3.0L V6 F/I	33-2145-1	HP-1002	4 Runner	3.4L V6 F/I	33-2054 ♦	HP-1002
Avensis	1.6L L4 F/I	33-2739		Avalon	3.0L V6 F/I	33-2145-1	HP-1002
Avensis	1.8L L4 F/I	33-2739		Avensis	1.6L L4 F/I	33-2739	
Avensis	2.0L L4 DSL - 90BHP	33-2739		Avensis	1.8L L4 F/I	33-2739	
Avensis	2.0L L4 DSL - Exc., 90BHP	33-2230		Avensis	2.0L L4 DSL - 90BHP	33-2739	
Avensis	2.0L L4 F/I	33-2739		Avensis	2.0L L4 DSL - Exc., 90BHP	33-2230	
Avensis Verso	2.0L L4 DSL	33-2030		Avensis	2.0L L4 F/I	33-2739	
Avensis Verso	2.0L L4 F/I	33-2739		Camry	2.2L L4 F/I	33-2145-1	HP-1003
Camry	2.2L L4 F/I	33-2145-1	HP-1003	Camry	3.0L V6 F/I	33-2145-1	HP-1002
Camry	2.4L L4 F/I	33-2260		Celica	1.8L L4 F/I	33-2041-1 ♦	HP-1003
Camry	3.0L V6 F/I	33-2145-1	HP-1002	Celica GT	1.8L L4 F/I	33-2041-1 ♦	HP-1003
Celica	1.8L L4 F/I	33-2041-1 ♦	HP-1003	Celica GTS	1.8L L4 F/I	33-2041-1 ♦	HP-1003
Celica GT	1.8L L4 F/I	33-2041-1 ♦	HP-1003	Comfort Taxi	2.0L L4 F/I	33-2241	
Celica GTS	1.8L L4 F/I	33-2041-1 ♦	HP-1003	Corolla	1.3L L4 F/I	33-2671	
Comfort Taxi	2.0L L4 F/I	33-2241		Corolla	1.4L L4 F/I - 86BHP, Left Hand Drive	33-2671	
Corolla	1.4L L4 F/I	33-2252 ♦		Corolla	1.4L L4 F/I - 97BHP	33-2252	
Corolla	1.6L L4 F/I	33-2252 ♦		Corolla	1.8L L4 F/I		HP-1003
Corolla	1.8L L4 F/I		HP-1003	Corolla	1.8L L4 F/I - Non-US	E-2690	HP-1003
Corolla	1.8L L4 F/I - Non-US	33-2252 ♦	HP-1003	Corolla	1.8L L4 F/I - US	33-2672	HP-1003
Corolla	1.8L L4 F/I - US	33-2672	HP-1003	Corolla	1.9L L4 DSL	33-2835	
Corolla	1.9L L4 DSL	33-2835					

\*Indicates 2 filters required

♦ - Intake kit available

Applications updated daily at [knfilters.com](http://knfilters.com) ®

# AIR & OIL FILTERS

# TOYOTA

Vehicle	Engine Type	Air Filter	Oil Filter	Vehicle	Engine Type	Air Filter	Oil Filter
<b>2000 TOYOTA</b>				<b>1999 TOYOTA</b>			
Corolla	2.0L L4 DSL	33-2835		Corolla	2.0L L4 DSL	33-2030	
Echo	1.5L L4 F/I	33-2211	HP-1003	HiAce IV	2.4L L4 DSL	38-9203	
HiAce IV	2.4L L4 DSL	38-9203		HiAce IV	2.7L L4 F/I	38-9203	
HiAce IV	2.7L L4 F/I	38-9203		Hilux	2.7L L4 F/I	E-2233	HP-1002
Hilux	2.4L L4 F/I	33-2050-1		Hilux	3.0L L5 DSL	E-2015	HP-3001
Hilux	2.7L L4 F/I	E-2233	HP-1002	Hilux	3.0L L5 F/I	E-2015	
Hilux	3.0L L5 DSL	E-2015	HP-3001	Land Cruiser	3.0L L4 DSL	E-2233	
Hilux	3.0L L5 F/I	E-2015		Land Cruiser	3.4L L4 F/I	33-2054	
Land Cruiser	3.0L L4 DSL - D-4D	E-2444		Land Cruiser	4.2L L6 DSL	E-2444	
Land Cruiser	3.0L L4 DSL - Exc., D-4D	E-2233		Land Cruiser	4.5L L6 F/I	E-2444	
Land Cruiser	3.4L L4 F/I	33-2054		Land Cruiser	4.7L V8 F/I	33-2146 ♦	HP-1002
Land Cruiser	4.2L L6 DSL	E-2444		MR2	2.0L L4 F/I	33-2030 ♦	
Land Cruiser	4.5L L6 F/I	E-2444		Paseo	1.5L L4 F/I	33-2094	HP-1003
Land Cruiser	4.7L V8 F/I	33-2146 ♦	HP-1002	Picnic	2.0L L4 F/I	33-2030	
MR2	2.0L L4 F/I	33-2030 ♦		Picnic	2.2L L4 DSL	33-2798	
MR2 Spyder	1.8L L4 F/I	33-2041-1 ♦	HP-1003	Previa	2.4L L4 F/I	33-2050-1	
Picnic	2.0L L4 F/I	33-2030		Previa	2.4L L4 F/I - from 8/00	33-2216	
Picnic	2.2L L4 DSL	33-2798		Previa	2.4L L4 F/I - to 7/00	33-2050-1	
Previa	2.4L L4 F/I - from 8/00	33-2216		Prius	1.5L L4 F/I	33-2186	
Previa	2.4L L4 F/I - to 7/00	33-2050-1		RAV4	2.0L L4 F/I	33-2163	HP-1003
Prius	1.5L L4 F/I	33-2186		RAV4 I	2.0L L4 F/I		HP-1003
RAV4	2.0L L4 F/I	33-2163	HP-1003	RAV4 I	2.0L L4 F/I - 129BHP	33-2030 ♦	HP-1003
RAV4 I	2.0L L4 F/I		HP-1003	RAV4 II	1.8L L4 F/I	33-2855	
RAV4 I	2.0L L4 F/I - 129BHP	33-2030 ♦	HP-1003	RAV4 II	2.0L L4 F/I	33-2216 ♦	
RAV4 II	1.8L L4 F/I	33-2855		RAV4 III	2.0L L4 DSL	33-2843	
RAV4 II	2.0L L4 F/I	33-2216 ♦		Sienna	3.0L V6 F/I	33-2145-1	HP-1002
RAV4 III	2.0L L4 DSL	33-2843		Solara	2.2L L4 F/I	33-2145-1	HP-1003
Sienna	3.0L V6 F/I	33-2145-1	HP-1002	Solara	3.0L V6 F/I	33-2145-1	HP-1002
Sienna	2.2L L4 F/I	33-2145-1	HP-1003	Tacoma	2.4L L4 F/I	33-2050-1 ♦	HP-1002
Solara	3.0L V6 F/I	33-2145-1	HP-1002	Tacoma	2.7L L4 F/I	33-2050-1 ♦	HP-1002
Tacoma	2.4L L4 F/I	33-2050-1 ♦	HP-1002	Tacoma	3.4L V6 F/I	33-2054 ♦	HP-1002
Tacoma	2.7L L4 F/I	33-2050-1 ♦	HP-1002	Tundra	3.4L V6 F/I	33-2144 ♦	HP-1002
Tacoma	3.4L V6 F/I	33-2054 ♦	HP-1002	Tundra	4.7L V8 F/I	33-2144 ♦	HP-1002
Tundra	3.4L V6 F/I	33-2144 ♦	HP-1002	Yaris	1.0L L4 F/I	33-2131	
Tundra	4.7L V8 F/I	33-2144 ♦	HP-1002	Yaris	1.3L L4 F/I	33-2211 ♦	
Yaris	1.0L L4 F/I	33-2131		Yaris	1.5L L4 F/I	33-2211	
Yaris	1.3L L4 F/I	33-2211 ♦		<b>1998 TOYOTA</b>			
Yaris	1.5L L4 F/I	33-2211		4 Runner	2.7L L4 F/I	33-2050-1 ♦	HP-1002
<b>1999 TOYOTA</b>				4 Runner	3.4L V6 F/I	33-2054 ♦	HP-1002
4 Runner	2.7L L4 F/I	33-2050-1 ♦	HP-1002	Avalon	3.0L V6 F/I	33-2145-1	HP-1002
4 Runner	3.4L V6 F/I	33-2054 ♦	HP-1002	Avensis	1.6L L4 F/I	33-2739	
Avalon	3.0L V6 F/I	33-2145-1	HP-1002	Avensis	1.8L L4 F/I	33-2739	
Avensis	1.6L L4 F/I	33-2739		Avensis	2.0L L4 DSL - 90BHP	33-2739	
Avensis	1.8L L4 F/I	33-2739		Avensis	2.0L L4 F/I	33-2739	
Avensis	2.0L L4 DSL - 90BHP	33-2739		Avensis	2.2L L4 F/I	33-2145-1	HP-1003
Avensis	2.0L L4 DSL - Exc., 90BHP	33-2230		Camry	3.0L V6 F/I	33-2145-1	HP-1002
Avensis	2.0L L4 F/I	33-2739		Celica	1.8L L4 F/I - 252mm x 157mm	33-2041-1 ♦	
Camry	2.2L L4 F/I	33-2145-1	HP-1003	Celica	1.8L L4 F/I - 314mm x 191mm	33-2052 ♦	
Camry	3.0L V6 F/I	33-2145-1	HP-1002	Celica	2.0L L4 F/I	33-2052 ♦	
Celica	1.8L L4 F/I - 252mm x 157mm	33-2041-1 ♦		Celica	2.2L L4 F/I	33-2052	HP-1003
Celica	1.8L L4 F/I - 314mm x 191mm	33-2052 ♦		Comfort Taxi	2.0L L4 F/I	33-2241	
Celica	2.0L L4 F/I	33-2052 ♦		Corolla	1.3L L4 F/I	33-2671	
Celica	2.2L L4 F/I	33-2052	HP-1003	Corolla	1.4L L4 F/I - Left Hand Drive	33-2671	
Comfort Taxi	2.0L L4 F/I	33-2241		Corolla	1.6L L4 F/I	33-2672 ♦	
Corolla	1.3L L4 F/I	33-2671		Corolla	1.8L L4 F/I		HP-1003
Corolla	1.4L L4 F/I - Left Hand Drive	33-2671		Corolla	1.8L L4 F/I - Non-US	E-2690	HP-1003
Corolla	1.6L L4 F/I	33-2672 ♦		Corolla	1.8L L4 F/I - US	33-2672	HP-1003
Corolla	1.8L L4 F/I		HP-1003	Corolla	2.0L L4 DSL	33-2030	
Corolla	1.8L L4 F/I - Non-US	E-2690	HP-1003	HiAce IV	2.4L L4 DSL	38-9203	
Corolla	1.8L L4 F/I - US	33-2672	HP-1003	HiAce IV	2.4L L4 F/I	38-9203	
				HiAce IV	2.7L L4 F/I	38-9203	
				Hilux	2.4L L4 DSL	E-2487	
				Hilux	2.7L L4 F/I	E-2233	HP-1002
				Hilux	3.0L L5 DSL	E-2015	HP-3001
				Land Cruiser	3.0L L4 DSL	E-2233	
				Land Cruiser	3.4L L4 F/I	33-2054	
				Land Cruiser	4.2L L6 DSL	E-2444	
				Land Cruiser	4.5L L6 F/I	E-2444	
				Land Cruiser	4.7L V8 F/I	33-2146	HP-1002
				MR2	2.0L L4 F/I	33-2030 ♦	

\*Indicates 2 filters required    ♦ - Intake kit available    Applications updated daily at [knfilters.com](http://knfilters.com) ®

**Partial Listing - Complete List of Vehicles and Applications at [knfilters.com](http://knfilters.com)**

# TOYOTA

# AIR & OIL FILTERS

Vehicle	Engine Type	Air Filter	Oil Filter	Vehicle	Engine Type	Air Filter	Oil Filter
<b>1998 TOYOTA</b>				<b>1997 TOYOTA</b>			
Paseo	1.5L L4 F/I	33-2094	HP-1003	RAV4	2.0L L4 F/I	33-2163	HP-1003
Picnic	2.0L L4 F/I	33-2030		RAV4 I	2.0L L4 F/I - 129BHP	33-2030 ♦	
Picnic	2.2L L4 DSL	33-2798		Starlet	1.3L L4 F/I	33-2094	
Previa	2.4L L4 F/I	33-2050-1		Supra	3.0L L6 F/I	33-2054	HP-1002
RAV4	2.0L L4 F/I	33-2163	HP-1003	T100	2.7L L4 F/I	33-2064	HP-1002
RAV4 I	2.0L L4 F/I - 129BHP	33-2030 ♦		T100	3.4L V6 F/I	33-2064 ♦	HP-1002
Sienna	3.0L V6 F/I	33-2145-1	HP-1002	Tacoma	2.4L L4 F/I	33-2050-1 ♦	HP-1002
Starlet	1.3L L4 F/I	33-2094		Tacoma	2.7L L4 F/I	33-2050-1 ♦	HP-1002
Supra	3.0L L6 F/I	33-2054	HP-1002	Tacoma	3.4L V6 F/I	33-2054 ♦	HP-1002
T100	2.7L L4 F/I	33-2064	HP-1002	Tercel	1.5L L4 F/I	33-2094	HP-1003
T100	3.4L V6 F/I	33-2064 ♦	HP-1002	<b>1996 TOYOTA</b>			
Tacoma	2.4L L4 F/I	33-2050-1 ♦	HP-1002	4 Runner	2.7L L4 F/I	33-2050-1 ♦	HP-1002
Tacoma	2.7L L4 F/I	33-2050-1 ♦	HP-1002	4 Runner	3.0L V6 DSL	E-9270	
Tacoma	3.4L V6 F/I	33-2054 ♦	HP-1002	4 Runner	3.4L V6 F/I	33-2054 ♦	HP-1002
Tercel	1.5L L4 F/I	33-2094	HP-1003	Avalon	3.0L V6 F/I	33-2052	HP-1002
<b>1997 TOYOTA</b>				Camry	2.2L L4 F/I	33-2052	HP-1003
4 Runner	2.7L L4 F/I	33-2050-1 ♦	HP-1002	Camry	3.0L V6 F/I	33-2052	HP-1002
4 Runner	3.0L V6 DSL	E-9270		Carina E	1.6L L4 F/I - 308mm x 148mm	33-2739 ♦	
4 Runner	3.4L V6 F/I	33-2054 ♦	HP-1002	Carina E	1.6L L4 F/I - 314mm x 160mm	33-2030 ♦	
Avalon	3.0L V6 F/I	33-2145-1	HP-1002	Carina E	1.8L L4 F/I	33-2739	
Avensis	1.6L L4 F/I	33-2739		Carina E	2.0L L4 DSL - 73BHP	33-2030	
Avensis	1.8L L4 F/I	33-2739		Carina E	2.0L L4 DSL - 83BHP	33-2739	
Avensis	2.0L L4 DSL - 90BHP	33-2739		Carina E	2.0L L4 F/I	33-2739	
Avensis	2.0L L4 F/I	33-2739		Celica	1.8L L4 F/I	33-2052	HP-1003
Camry	2.2L L4 F/I	33-2145-1	HP-1003	Celica	1.8L L4 F/I - 252mm x 157mm	33-2041-1 ♦	HP-1003
Camry	3.0L V6 F/I	33-2145-1	HP-1002	Celica	1.8L L4 F/I - 314mm x 191mm	33-2052 ♦	HP-1003
Carina E	1.6L L4 F/I - 308mm x 148mm	33-2739 ♦		Celica	2.0L L4 F/I	33-2052 ♦	
Carina E	1.6L L4 F/I - 314mm x 160mm	33-2030 ♦		Celica	2.2L L4 F/I	33-2052	HP-1003
Carina E	1.8L L4 F/I	33-2739		Corolla	1.3L L4 F/I - Exc., 72BHP	33-2671	
Carina E	2.0L L4 DSL	33-2739		Corolla	1.4L L4 F/I - Left Hand Drive	33-2671	
Carina E	2.0L L4 F/I	33-2739		Corolla	1.6L L4 F/I	33-2672 ♦	HP-1003
Celica	1.8L L4 F/I	33-2052	HP-1003	Corolla	1.8L L4 F/I		HP-1003
Celica	1.8L L4 F/I - 252mm x 157mm	33-2041-1 ♦	HP-1003	Corolla	1.8L L4 F/I - Non-US, from 5/97	E-2690	HP-1003
Celica	1.8L L4 F/I - 314mm x 191mm	33-2052 ♦	HP-1003	Corolla	1.8L L4 F/I - Non-US, to 4/97	33-2672	HP-1003
Celica	2.0L L4 F/I	33-2052 ♦		Corolla	1.8L L4 F/I - US	33-2672	HP-1003
Celica	2.2L L4 F/I	33-2052	HP-1003	Corolla	2.0L L4 DSL	33-2030	
Corolla	1.3L L4 F/I - Exc., 72BHP	33-2671		HiAce IV	2.4L L4 DSL	38-9203	
Corolla	1.4L L4 F/I - Left Hand Drive	33-2671		HiAce IV	2.4L L4 F/I	38-9203	
Corolla	1.6L L4 F/I	33-2672 ♦	HP-1003	Hilux	2.4L L4 DSL	E-2487	
Corolla	1.8L L4 F/I		HP-1003	Hilux	2.7L L4 F/I	E-2233	HP-1002
Corolla	1.8L L4 F/I - Non-US, from 5/97	E-2690	HP-1003	Hilux	3.0L L5 DSL	E-2015	HP-3001
Corolla	1.8L L4 F/I - Non-US, to 4/97	33-2672	HP-1003	Land Cruiser	3.0L L4 DSL	E-2233	
Corolla	1.8L L4 F/I - US	33-2672	HP-1003	Land Cruiser	3.4L L4 F/I	33-2054	
Corolla	2.0L L4 DSL	33-2030		Land Cruiser	3.4L L4 F/I	33-2054	
HiAce IV	2.4L L4 DSL	38-9203		Land Cruiser	4.2L L6 DSL	E-2443	
HiAce IV	2.4L L4 F/I	38-9203		Land Cruiser	4.5L L6 F/I	E-2443	HP-3001
Hilux	2.4L L4 DSL	E-2487		Lexcen	3.8L V6 F/I	33-2031-2	HP-1007
Hilux	2.7L L4 F/I	E-2233	HP-1002	MR2	2.0L L4 F/I	33-2030 ♦	
Hilux	3.0L L5 DSL	E-2015	HP-3001	Paseo	1.5L L4 F/I	33-2094	HP-1003
Land Cruiser	3.0L L4 DSL	E-2233		Picnic	2.0L L4 F/I	33-2030	
Land Cruiser	3.4L L4 F/I	33-2054		Previa	2.4L L4 F/I	33-2050-1	HP-1002
Land Cruiser	4.2L L6 DSL	E-2443		RAV4	2.0L L4 F/I	33-2163	HP-1003
Land Cruiser	4.5L L6 F/I	E-2443	HP-1002	RAV4 I	2.0L L4 F/I - 129BHP	33-2030 ♦	
Lexcen	3.8L V6 F/I	33-2031-2	HP-1007	Starlet	1.3L L4 F/I - From 4/96	33-2094	
MR2	2.0L L4 F/I	33-2030 ♦		Starlet	1.3L L4 F/I - OHC, 2EE Eng., EP81	33-2735	
Paseo	1.5L L4 F/I	33-2094	HP-1003	Starlet	1.3L L4 F/I - OHC, 4EFE Eng., EP91	33-2634	
Picnic	2.0L L4 F/I	33-2030		Starlet	1.5L L4 DSL	33-2533	
Picnic	2.2L L4 DSL	33-2798		Supra	3.0L L6 F/I	33-2054	HP-1002
Previa	2.4L L4 F/I	33-2050-1	HP-1002	T100	2.7L L4 F/I	33-2064	HP-1002
				T100	3.4L V6 F/I	33-2064 ♦	HP-1002
				Tacoma	2.4L L4 F/I	33-2050-1 ♦	HP-1002
				Tacoma	2.7L L4 F/I	33-2050-1 ♦	HP-1002

\*Indicates 2 filters required

♦ - Intake kit available

Applications updated daily at [knfilters.com](http://knfilters.com) ®



# AIR & OIL FILTERS

# TOYOTA

Vehicle	Engine Type	Air Filter	Oil Filter	Vehicle	Engine Type	Air Filter	Oil Filter
<b>1996 TOYOTA</b>				<b>1994 TOYOTA</b>			
Tacoma	3.4L V6 F/I	33-2054 ♦	HP-1002	Camry	2.2L L4 F/I	33-2052	HP-1003
Tercel	1.5L L4 F/I	33-2094	HP-1003	Camry	3.0L V6 F/I	33-2052	HP-1002
<b>1995 TOYOTA</b>				Carina E	1.6L L4 F/I - 308mm x 148mm	33-2739 ♦	
4 Runner	2.4L L4 F/I	33-2050-1 ♦	HP-1002	Carina E	1.6L L4 F/I - 314mm x 160mm	33-2030 ♦	
4 Runner	2.7L L4 F/I	33-2050-1	HP-1002	Carina E	1.8L L4 F/I	33-2739	
4 Runner	3.0L V6 DSL	E-9270		Carina E	2.0L L4 DSL	33-2030	
4 Runner	3.0L V6 F/I	E-2605-1 ♦	HP-1002	Carina E	2.0L L4 F/I - 158BHP	33-2030	
4 Runner	3.4L V6 F/I	33-2054	HP-1002	Carina E	2.0L L4 F/I - Exc., 158BHP	33-2739	
Avalon	3.0L V6 F/I	33-2052	HP-1002	Celica	1.8L L4 F/I	33-2052	HP-1003
Camry	2.2L L4 F/I	33-2052	HP-1003	Celica	1.8L L4 F/I - 252mm x 157mm	33-2041-1 ♦	HP-1003
Camry	3.0L V6 F/I	33-2052	HP-1002	Celica	1.8L L4 F/I - 314mm x 191mm	33-2052 ♦	HP-1003
Carina E	1.6L L4 F/I - 308mm x 148mm	33-2739 ♦		Celica	2.0L L4 F/I - from 3/94	33-2052 ♦	
Carina E	1.6L L4 F/I - 314mm x 160mm	33-2030 ♦		Celica	2.0L L4 F/I - to 2/94	33-2030 ♦	
Carina E	1.8L L4 F/I	33-2739		Celica	2.2L L4 F/I	33-2052	HP-1003
Carina E	2.0L L4 DSL	33-2030		Corolla	1.3L L4 F/I - 72BHP	E-9106	
Carina E	2.0L L4 F/I	33-2739		Corolla	1.3L L4 F/I - Exc., 72BHP	33-2671	
Celica	1.8L L4 F/I	33-2052	HP-1003	Corolla	1.6L L4 F/I	33-2672 ♦	HP-1003
Celica	1.8L L4 F/I - 252mm x 157mm	33-2041-1 ♦	HP-1003	Corolla	1.8L L4 F/I	33-2672	HP-1003
Celica	1.8L L4 F/I - 314mm x 191mm	33-2052 ♦	HP-1003	Corolla	2.0L L4 DSL	33-2030	
Celica	2.0L L4 F/I	33-2052 ♦		Corolla	1.8L L4 F/I	E-2640	
Celica	2.2L L4 F/I	33-2052	HP-1003	Hilux	2.4L L4 DSL	E-2487	
Corolla	1.3L L4 F/I - 72BHP	E-9106		Hilux	2.4L L4 F/I	33-2050-1	
Corolla	1.3L L4 F/I - Exc., 72BHP	33-2671		Hilux	3.0L L5 DSL	E-2444	
Corolla	1.6L L4 F/I	33-2672 ♦	HP-1003	Land Cruiser	2.4L L4 CARB	38-9207	
Corolla	1.8L L4 F/I	33-2672	HP-1003	Land Cruiser	2.4L L4 DSL	E-2417	
Corolla	2.0L L4 DSL	33-2030		Land Cruiser	3.0L L4 DSL	E-2440	
HiAce IV	2.4L L4 DSL	38-9203		Land Cruiser	3.4L L4 DSL	E-2440	
HiAce IV	2.4L L4 F/I	38-9203		Land Cruiser	4.2L L6 DSL	E-2443	
Hilux	2.4L L4 DSL	E-2487		Land Cruiser	4.5L L6 F/I	E-2443	HP-3001
Hilux	2.4L L4 F/I	33-2050-1		Lexcen	3.8L V6 F/I	33-2031-2	HP-1007
Hilux	3.0L L5 DSL	E-2444		MR2	2.0L L4 F/I	33-2030 ♦	HP-1003
Land Cruiser	2.4L L4 CARB	38-9207		MR2	2.2L L4 F/I	33-2030	HP-1003
Land Cruiser	2.4L L4 DSL	E-2417		Paseo	1.5L L4 F/I	33-2094	HP-1003
Land Cruiser	3.0L L4 DSL	E-2440		Pickup	2.4L L4 F/I	33-2050-1 ♦	HP-1002
Land Cruiser	3.4L L4 DSL	E-2440		Pickup	3.0L V6 F/I	E-2605-1 ♦	HP-1002
Land Cruiser	4.2L L6 DSL	E-2443		Previa	2.4L L4 F/I	33-2050-1	HP-1002
Land Cruiser	4.5L L6 F/I	E-2443	HP-3001	RAV4 I	2.0L L4 F/I - 125BHP	33-2030 ♦	
Lexcen	3.8L V6 F/I	33-2031-2	HP-1007	Starlet	1.3L L4 F/I - OHC, 2EE-Eng., EP81	33-2735	
MR2	2.0L L4 F/I	33-2030 ♦	HP-1003	Starlet	1.5L L4 DSL	33-2533	
MR2	2.2L L4 F/I	33-2030	HP-1003	Supra	3.0L L6 F/I	33-2054	HP-1002
Paseo	1.5L L4 F/I	33-2094	HP-1003		33-2054 ♦	HP-1002	
Pickup	2.4L L4 F/I	33-2050-1 ♦	HP-1002	T100	2.7L L4 F/I	33-2064	HP-1002
Pickup	3.0L V6 F/I	E-2605-1 ♦	HP-1002	T100	3.0L V6 F/I	33-2064	HP-1002
Previa	2.4L L4 F/I	33-2050-1	HP-1002	Tercel	1.5L L4 F/I	33-2094	HP-1003
RAV4 I	2.0L L4 F/I - 125BHP	33-2030 ♦		<b>1993 TOYOTA</b>			
Starlet	1.3L L4 F/I - OHC, 2EE-Eng., EP81	33-2735		4 Runner	2.4L L4 F/I	33-2050-1 ♦	HP-1002
Starlet	1.5L L4 DSL	33-2533		4 Runner	3.0L V6 DSL	E-9270	
Supra	3.0L L6 F/I	33-2054	HP-1002	4 Runner	3.0L V6 F/I	E-2605-1 ♦	HP-1002
		33-2054 ♦	HP-1002	Camry	2.2L L4 F/I	33-2052	HP-1003
T100	2.7L L4 F/I	33-2064	HP-1002	Camry	3.0L V6 F/I	33-2052	HP-1002
T100	3.4L V6 F/I	33-2064 ♦	HP-1002	Carina E	1.6L L4 F/I - 308mm x 148mm	33-2739 ♦	
Tacoma	2.4L L4 F/I	33-2050-1 ♦	HP-1002	Carina E	1.6L L4 F/I - 314mm x 160mm	33-2030 ♦	
Tacoma	2.7L L4 F/I	33-2050-1 ♦	HP-1002	Carina E	2.0L L4 DSL	33-2030	
Tacoma	3.4L V6 F/I	33-2054 ♦	HP-1002	Carina E	2.0L L4 F/I - 158BHP	33-2030	
Tercel	1.5L L4 F/I	33-2094	HP-1003	Carina E	2.0L L4 F/I - Exc., 158BHP	33-2739	
<b>1994 TOYOTA</b>				Celica	1.6L L4 F/I	33-2041-1	HP-1003
4 Runner	2.4L L4 F/I	33-2050-1 ♦	HP-1002	Celica	2.0L L4 F/I	33-2030 ♦	HP-1003
4 Runner	3.0L V6 DSL	E-9270		Celica	2.2L L4 F/I	33-2030	HP-1003
4 Runner	3.0L V6 F/I	E-2605-1 ♦	HP-1002				

\*Indicates 2 filters required

♦ - Intake kit available

Applications updated daily at [knfilters.com](http://knfilters.com) ®

**Partial Listing - Complete List of Vehicles and Applications at [knfilters.com](http://knfilters.com)**

# TOYOTA

# AIR & OIL FILTERS

Vehicle	Engine Type	Air Filter	Oil Filter	Vehicle	Engine Type	Air Filter	Oil Filter
<b>1993 TOYOTA</b>				<b>1992 TOYOTA</b>			
Corolla	1.3L L4 F/I - 72BHP	E-9106		Corolla	1.6L L4 F/I - 90BHP	E-9107 ♦	HP-1003
Corolla	1.3L L4 F/I - Exc., 72BHP	33-2671		Corolla	1.8L L4 DSL	33-2030	
Corolla	1.6L L4 F/I	33-2672	HP-1003	Corolla	1.8L L4 F/I	33-2672	
Corolla	1.6L L4 F/I - 105BHP AE92, 125BHP	33-2030 ♦	HP-1003	Corolla	2.0L L4 DSL	33-2030	
Corolla	1.6L L4 F/I - 105BHP AE95, 116BHP	33-2041-1 ♦	HP-1003	Cressida	3.0L L6 F/I	E-2605-1	HP-1002
Corolla	1.6L L4 F/I - 114/115BHP	33-2672 ♦	HP-1003	Hilux	1.8L L4 F/I	E-2640	
Corolla	1.8L L4 DSL	33-2030		Hilux	2.4L L4 DSL	E-2487	
Corolla	1.8L L4 F/I	33-2672	HP-1003	Hilux	2.4L L4 F/I	33-2050-1	
Corolla	2.0L L4 DSL	33-2030		Hilux	3.0L L5 DSL	E-2444	
Hilux	1.8L L4 F/I	E-2640		Land Cruiser	2.4L L4 CARB	38-9207	
Hilux	2.4L L4 DSL	E-2487		Land Cruiser	2.4L L4 DSL	E-2417	
Hilux	2.4L L4 F/I	33-2050-1		Land Cruiser	3.4L L4 DSL	E-2440	
Hilux	3.0L L5 DSL	E-2444		Land Cruiser	4.0L L6 F/I	E-2440	HP-3001
Land Cruiser	2.4L L4 CARB	38-9207		Land Cruiser	4.2L L6 DSL	E-2443	
Land Cruiser	2.4L L4 DSL	E-2417		Land Cruiser	4.5L L6 F/I	E-2443	HP-3001
Land Cruiser	3.0L L4 DSL	E-2440		Lexcen	3.8L V6 F/I	33-2031-2	HP-1007
Land Cruiser	3.4L L4 DSL	E-2440		MR2	2.0L L4 F/I	33-2030 ♦	HP-1003
Land Cruiser	4.2L L6 DSL	E-2443		MR2	2.2L L4 F/I	33-2030	HP-1003
Land Cruiser	4.5L L6 F/I	E-2443	HP-3001	Paseo	1.5L L4 F/I	33-2094	HP-1003
Lexcen	3.8L V6 F/I	33-2031-2	HP-1007	Pickup	2.4L L4 F/I	33-2050-1 ♦	HP-1002
MR2	2.0L L4 F/I	33-2030 ♦	HP-1003	Pickup	3.0L V6 F/I	E-2605-1 ♦	HP-1002
MR2	2.2L L4 F/I	33-2030	HP-1003	Previa	2.4L L4 F/I	33-2050-1	HP-1002
Paseo	1.5L L4 F/I	33-2094	HP-1003	Starlet	1.3L L4 F/I - OHC, 2EE-Eng., EP81	33-2735	
Pickup	2.4L L4 F/I	33-2050-1 ♦	HP-1002	Starlet	1.5L L4 DSL	33-2533	
Pickup	3.0L V6 F/I	E-2605-1 ♦	HP-1002	Supra	3.0L L6 F/I	E-2605-1 ♦	HP-1002
Previa	2.4L L4 F/I	33-2050-1	HP-1002	Tercel	1.5L L4 F/I	33-2094	HP-1003
Starlet	1.3L L4 F/I - OHC, 2EE-Eng., EP81	33-2735		<b>1991 TOYOTA</b>			
Starlet	1.5L L4 DSL	33-2533		4 Runner	2.4L L4 F/I	33-2050-1 ♦	HP-1002
Supra	3.0L L6 F/I	33-2054	HP-1002	4 Runner	3.0L V6 F/I	E-2605-1 ♦	HP-1002
		33-2054 ♦	HP-1002	Camry	2.0L L4 DSL	33-2030	
Supra	3.0L L6 F/I - From 5/93	33-2054	HP-1002	Camry	2.0L L4 F/I	33-2533	HP-1003
Supra	3.0L L6 F/I - to 4/93	E-2605-1	HP-1002	Camry	2.2L L4 F/I	33-2052	
T100	3.0L V6 F/I	33-2064	HP-1002	Camry	2.5L V6 F/I	33-2030	HP-1002
Tercel	1.5L L4 F/I	33-2094	HP-1003	Camry	3.0L V6 F/I	33-2052	
<b>1992 TOYOTA</b>				Carina II	2.0L L4 F/I	33-2030	
4 Runner	2.4L L4 F/I	33-2050-1 ♦	HP-1002	Celica	1.6L L4 F/I	33-2041-1	HP-1003
4 Runner	3.0L V6 F/I	E-2605-1 ♦	HP-1002	Celica	2.0L L4 F/I	33-2030 ♦	HP-1003
Camry	2.2L L4 F/I	33-2052	HP-1003	Celica	2.2L L4 F/I	33-2041-1	HP-1003
Camry	3.0L V6 F/I	33-2052	HP-1002	Corolla	1.3L L4 CARB	E-9106	
Carina E	1.6L L4 F/I - 308mm x 148mm	33-2739 ♦		Corolla	1.6L L4 CARB	E-9107	HP-1003
Carina E	1.6L L4 F/I - 314mm x 160mm	33-2030 ♦		Corolla	1.6L L4 F/I	33-2030	HP-1003
Carina E	2.0L L4 DSL	33-2030		Corolla	1.6L L4 F/I - 105BHP AE92, 125BHP	33-2030 ♦	HP-1003
Carina E	2.0L L4 F/I - 158BHP	33-2030		Corolla	1.6L L4 F/I - 105BHP AE95, 116BHP	33-2041-1 ♦	HP-1003
Carina E	2.0L L4 F/I - Exc., 158BHP	33-2739		Corolla	1.6L L4 F/I - 90BHP	E-9107 ♦	HP-1003
Carina II	2.0L L4 F/I	33-2030		Corolla	1.8L L4 DSL	33-2030	
Celica	1.6L L4 F/I	33-2041-1	HP-1003	Corolla GTS	1.6L L4 F/I	33-2041-1	HP-1003
Celica	2.0L L4 F/I	33-2030 ♦	HP-1003	Cressida	3.0L L6 F/I	E-2605-1	HP-1002
Celica	2.2L L4 F/I	33-2030	HP-1003	Hilux	1.8L L4 F/I	E-2640	
Corolla	1.3L L4 CARB	E-9106		Hilux	2.4L L4 DSL	E-2487	
Corolla	1.3L L4 F/I - 72BHP	E-9106		Hilux	2.4L L4 F/I	33-2050-1	
Corolla	1.3L L4 F/I - Exc., 72BHP	33-2671		Land Cruiser	2.4L L4 CARB	38-9207	
Corolla	1.6L L4 CARB	E-9107	HP-1003	Land Cruiser	2.4L L4 DSL	E-2417	
Corolla	1.6L L4 F/I	33-2030	HP-1003	Land Cruiser	3.4L L4 DSL	E-2440	
Corolla	1.6L L4 F/I - 105BHP AE92, 125BHP	33-2030 ♦	HP-1003	Land Cruiser	4.0L L6 F/I	E-2440	HP-3001
Corolla	1.6L L4 F/I - 105BHP AE95, 116BHP	33-2041-1 ♦	HP-1003	Land Cruiser	4.2L L6 DSL	E-2443	
Corolla	1.6L L4 F/I - 114/115BHP	33-2672 ♦	HP-1003	Lexcen	3.8L V6 F/I	33-2031-2	HP-1007
				MR2	2.0L L4 F/I	33-2030 ♦	HP-1003
				MR2	2.2L L4 F/I	33-2030	HP-1003
				Paseo	1.5L L4 F/I	33-2094	HP-1003
				Pickup	2.4L L4 F/I	33-2050-1 ♦	HP-1002
				Pickup	3.0L V6 F/I	E-2605-1 ♦	HP-1002

\*Indicates 2 filters required

♦ - Intake kit available

Applications updated daily at [knfilters.com](http://knfilters.com) ®

# AIR & OIL FILTERS

# TOYOTA

Vehicle	Engine Type	Air Filter	Oil Filter
<b>1991 TOYOTA</b>			
Previa	2.4L L4 F/I	33-2050-1	HP-1002
Starlet	1.0L L4 CARB	E-9106	
Starlet	1.3L L4 F/I	33-2728	
Starlet	1.5L L4 DSL	33-2533	
Supra	3.0L L6 F/I	E-2605-1 ♦	HP-1002
Tercel	1.5L L4 F/I	33-2094	HP-1003

Vehicle	Engine Type	Air Filter	Oil Filter
<b>1990 TOYOTA</b>			
4 Runner	2.4L L4 F/I	33-2050-1 ♦	HP-1002
4 Runner	3.0L V6 F/I	E-2605-1 ♦	HP-1002
Camry	2.0L L4 DSL	33-2030	
Camry	2.0L L4 F/I	33-2533	HP-1003
Camry	2.5L V6 F/I	33-2030	HP-1002
Carina II	2.0L L4 F/I	33-2030	
Celica	1.6L L4 F/I	33-2041-1	HP-1003
Celica	2.0L L4 F/I	33-2030 ♦	HP-1003
Celica	2.2L L4 F/I	33-2041-1	HP-1003
Corolla	1.3L L4 CARB	E-9106	
Corolla	1.6L L4 CARB	E-9107	HP-1003
Corolla	1.6L L4 F/I	33-2030	HP-1003
Corolla	1.6L L4 F/I - 105BHP AE92, 125BHP	33-2030 ♦	HP-1003
Corolla	1.6L L4 F/I - 116BHP, 105BHP AE95	33-2041-1 ♦	HP-1003
Corolla	1.6L L4 F/I - 90BHP	E-9107 ♦	HP-1003
Corolla	1.8L L4 DSL	33-2030	
Corolla GTS	1.6L L4 F/I	33-2041-1	HP-1003
Cressida	3.0L L6 F/I	E-2605-1	HP-1002
Hilux	1.8L L4 F/I	E-2640	
Hilux	2.4L L4 DSL	E-2487	
Hilux	2.4L L4 F/I	33-2050-1	
Land Cruiser	2.4L L4 CARB	38-9207	
Land Cruiser	2.4L L4 DSL	E-2417	
Land Cruiser	3.4L L4 DSL	E-2440	
Land Cruiser	4.0L L6 F/I	E-2440	HP-3001
Land Cruiser	4.2L L6 DSL	E-2443	
MR2	1.6L L4 F/I	E-2605-1 ♦	
MR2	2.0L L4 F/I	33-2030 ♦	
Pickup	2.4L L4 CARB	E-2820	HP-1002
Pickup	2.4L L4 F/I	33-2050-1 ♦	HP-1002
Pickup	3.0L V6 F/I	E-2605-1 ♦	HP-1002
Previa	2.4L L4 F/I	33-2050-1	
Starlet	1.0L L4 CARB	E-9106	
Starlet	1.3L L4 F/I - Non-US, OHC, Turbo	33-2634	
Starlet	1.5L L4 DSL	33-2533	
Supra	3.0L L6 F/I	E-2605-1 ♦	HP-1002
Tercel	1.5L L4 CARB	E-9106	HP-1003
Tercel	1.5L L4 F/I		HP-1003

Vehicle	Engine Type	Air Filter	Oil Filter
<b>1989 TOYOTA</b>			
4 Runner	2.4L L4 F/I	33-2009 ♦	HP-1002
4 Runner	3.0L V6 F/I	E-2605-1 ♦	HP-1002
Camry	2.0L L4 DSL	33-2030	
Camry	2.0L L4 F/I	33-2533	HP-1003
Camry	2.5L V6 F/I	33-2030	HP-1002
Celica	1.6L L4 F/I	33-2533	
Celica	2.0L L4 F/I	33-2030 ♦	HP-1003
Celica All Trac	2.0L L4 F/I	33-2030 ♦	HP-1002
Celica GTS	2.0L L4 F/I	33-2030 ♦	HP-1003
Corolla	1.3L L4 CARB	E-9106	
Corolla	1.6L L4 CARB	E-9107	HP-1003
Corolla	1.6L L4 F/I	33-2041-1	HP-1003
Corolla	1.6L L4 F/I - 105BHP AE95, 116BHP, 125BHP To 7/89	33-2041-1 ♦	HP-1003
Corolla	1.6L L4 F/I - 90BHP	E-9107 ♦	HP-1003

Vehicle	Engine Type	Air Filter	Oil Filter
<b>1989 TOYOTA</b>			
Corolla	1.6L L4 F/I - From 8/89 125BHP, 105BHP AE92	33-2030 ♦	HP-1003
Corolla	1.8L L4 DSL	33-2030	
Cressida	3.0L L6 F/I	E-2605-1	HP-1002
Hilux	1.8L L4 F/I	E-2640	
Hilux	2.2L L4 CARB	E-2640	
Hilux	2.4L L4 DSL	E-2487	
Hilux	2.4L L4 F/I	33-2050-1	
Land Cruiser	2.4L L4 CARB	38-9207	
Land Cruiser	2.4L L4 DSL	E-2417	
Land Cruiser	3.4L L4 DSL	E-2440	
Land Cruiser	4.0L L6 DSL	E-2440	
Land Cruiser	4.0L L6 F/I	E-2440	HP-3001
Lexcen	3.8L V6 F/I	33-2031-2	HP-1007
MR2	1.6L L4 F/I	E-2605-1 ♦	HP-1003
MR2	2.0L L4 F/I	33-2030 ♦	
Pickup	2.4L L4 CARB	E-2820	HP-1002
Pickup	2.4L L4 F/I	33-2050-1 ♦	HP-1002
Pickup	3.0L V6 F/I	E-2605-1 ♦	HP-1002
Starlet	1.0L L4 CARB	E-9106	
Starlet	1.3L L4 CARB	E-9106	
Starlet	1.5L L4 DSL	33-2533	
Supra	3.0L L6 F/I	E-2605-1 ♦	HP-1002
Tercel	1.5L L4 CARB	E-9106	HP-1003
Van	2.2L L4 F/I	33-2009	HP-1002

Vehicle	Engine Type	Air Filter	Oil Filter
<b>1988 TOYOTA</b>			
4 Runner	2.4L L4 F/I	33-2009 ♦	HP-1002
4 Runner	3.0L V6 F/I	E-2605-1 ♦	HP-1002
Camry	1.8L L4 DSL	33-2030	
Camry	1.8L L4 F/I	33-2533	
Camry	2.0L L4 DSL	33-2030	
Camry	2.0L L4 F/I	33-2533	HP-1003
Camry	2.5L V6 F/I	33-2030	HP-1002
Celica	1.6L L4 F/I	33-2533	
Celica	2.0L L4 F/I	33-2030	HP-1003
Celica All Trac	2.0L L4 F/I	33-2030	HP-1002
Celica GTS	2.0L L4 F/I	33-2030	HP-1003
Corolla	1.3L L4 CARB	E-9106	
Corolla	1.6L L4 F/I	33-2041-1	HP-1003
Corolla	1.6L L4 F/I - 90BHP	E-9107 ♦	HP-1003
Corolla	1.6L L4 F/I - Exc., 90BHP	33-2041-1 ♦	HP-1003
Corolla	1.8L L4 DSL	33-2030	
Corolla DLX	1.6L L4 CARB	E-9107	HP-1003
Corolla FX	1.6L L4 CARB	E-2690	HP-1003
Corolla LE	1.6L L4 CARB	E-9107	HP-1003
Corolla SR5	1.6L L4 CARB	E-9107	HP-1003
Cressida	2.8L L6 F/I	E-2605-1	HP-1002
Hilux	1.8L L4 F/I - from 8/88	E-2640	
Hilux	2.2L L4 CARB	E-2640	
Hilux	2.4L L4 DSL	E-2487	
Land Cruiser	2.4L L4 CARB	38-9207	
Land Cruiser	2.4L L4 DSL	E-2417	
Land Cruiser	3.4L L4 DSL	E-2440	
Land Cruiser	4.0L L6 DSL	E-2440	
Land Cruiser	4.0L L6 F/I	E-2440	HP-3001
Land Cruiser	4.2L L6 CARB	E-2940	HP-3001
MR2	1.6L L4 F/I	E-2605-1 ♦	HP-1003
Pickup	2.4L L4 CARB	E-2820	HP-1002
Pickup	2.4L L4 F/I	33-2009 ♦	HP-1002
Pickup	3.0L V6 F/I	E-2605-1 ♦	HP-1002
Starlet	1.0L L4 CARB	E-9106	
Starlet	1.3L L4 CARB	E-9106	
Starlet	1.5L L4 DSL	33-2533	

\*Indicates 2 filters required

♦ - Intake kit available

Applications updated daily at [knfilters.com](http://knfilters.com) ®

Partial Listing - Complete List of Vehicles and Applications at [knfilters.com](http://knfilters.com)

# TOYOTA

# AIR & OIL FILTERS

Vehicle	Engine Type	Air Filter	Oil Filter	Vehicle	Engine Type	Air Filter	Oil Filter
<b>1988 TOYOTA</b>				<b>1986 TOYOTA</b>			
Supra	3.0L L6 F/I	E-2605-1 ♦	HP-1002	Corolla	1.6L L4 F/I		HP-1003
Tercel	1.3L L4 CARB	E-2690		Corolla	1.8L L4 DSL	33-2030	
Tercel	1.5L L4 1 BBL.	E-9106	HP-1003	Cressida	2.8L L6 F/I	E-2605-1	HP-2004
Tercel	1.5L L4 2 BBL.	E-2690	HP-1003	Hilux	2.0L L4 F/I	E-2610	
Van	2.2L L4 F/I	33-2009	HP-1002	Land Cruiser	2.4L L4 CARB	38-9207	
<b>1987 TOYOTA</b>				Land Cruiser	2.4L L4 DSL	E-2417	
4 Runner	2.4L L4 F/I	33-2009	HP-1002	Land Cruiser	3.4L L4 DSL	E-2440	
Camry	1.8L L4 DSL	33-2030		Land Cruiser	4.0L L6 DSL	E-2440	
Camry	1.8L L4 F/I	33-2533		Land Cruiser	4.2L L6 CARB	E-2940	HP-3001
Camry	2.0L L4 DSL	33-2030		MR2	1.6L L4 F/I	E-2485	HP-1003
Camry	2.0L L4 F/I	33-2533	HP-1003	MR2	1.6L L4 F/I - Non-US, from 4/86	E-2605-1 ♦	HP-1003
Celica	1.6L L4 CARB - 40mm High	E-2690		MR2	1.6L L4 F/I - Non-US, to 3/86	E-2485 ♦	HP-1003
Celica	1.6L L4 F/I	33-2533		Pickup	2.4L L4 CARB	E-2820	HP-2004
Celica	2.0L L4 F/I	33-2030	HP-1003	Pickup	2.4L L4 DSL		HP-3001
Celica GTS	2.0L L4 F/I	33-2030	HP-1003	Pickup	2.4L L4 F/I	33-2009	HP-2004
Corolla	1.3L L4 CARB	E-9106		Starlet	1.0L L4 CARB	E-9106	
Corolla	1.6L L4 CARB	E-2690	HP-1003	Starlet	1.3L L4 CARB	E-9106	
		E-9106	HP-1003	Supra	2.8L L6 F/I	E-2487	HP-2004
Corolla	1.6L L4 F/I	33-2533 ♦	HP-1003	Supra	3.0L L6 F/I	E-2605-1 ♦	HP-1002
Corolla	1.6L L4 F/I - 90BHP	E-9107 ♦	HP-1003	Tercel	1.5L L4 CARB	E-2690	HP-1003
Corolla	1.6L L4 F/I - Exc., 90BHP	33-2041-1 ♦	HP-1003	Van	2.2L L4 F/I	33-2009	HP-1002
Corolla	1.8L L4 DSL	33-2030		<b>1985 TOYOTA</b>			
Corolla Sport GTS	1.6L L4 F/I		HP-1003	4 Runner	2.4L L4 F/I		HP-2004
Cressida	2.8L L6 F/I	E-2605-1	HP-2004	4 Runner	2.4L L4 F/I - exc. Turbo	E-2820	HP-2004
Hilux	2.2L L4 CARB	E-2640		4 Runner	2.4L L4 F/I - Turbo	33-2009	HP-2004
Land Cruiser	2.4L L4 CARB	38-9207		Camry	2.0L L4 F/I	33-2533	HP-1003
Land Cruiser	2.4L L4 DSL	E-2417		Celica	1.6L L4 CARB - 40mm High	E-2690	
Land Cruiser	3.4L L4 DSL	E-2440		Celica	1.6L L4 CARB - 56mm High	E-2370	
Land Cruiser	4.0L L6 DSL	E-2440		Celica	1.6L L4 F/I	33-2533	
Land Cruiser	4.2L L6 CARB	E-2940	HP-3001	Celica	2.0L L4 CARB - 57mm High	E-2610	
MR2	1.6L L4 F/I	E-2605-1 ♦	HP-1003	Celica	2.0L L4 CARB - 70mm High	E-2488	
Pickup	2.4L L4 CARB	E-2820	HP-1002	Celica	2.0L L4 F/I	33-2030	
Pickup	2.4L L4 F/I	33-2009	HP-1002	Celica	2.4L L4 F/I	E-2487	HP-2004
Starlet	1.3L L4 CARB	E-9106		Celica	2.8L L6 F/I	E-2487	HP-2004
Supra	3.0L L6 F/I	E-2605-1 ♦		Corolla	1.3L L4 CARB	E-9106	
Supra	3.0L L6 F/I - exc. Turbo	E-2605-1	HP-2004	Corolla	1.6L L4 CARB	E-2690	HP-1003
Supra	3.0L L6 F/I - Turbo	E-2605-1	HP-1002	Corolla	1.6L L4 F/I		HP-1003
Tercel	1.5L L4 1 BBL.	E-9106	HP-1003	Corolla	1.8L L4 DSL	33-2030	
Tercel	1.5L L4 2 BBL.	E-2690	HP-1003	Cressida	2.0L L4 CARB - 105BHP	E-2605-1	
Van	2.2L L4 F/I	33-2009	HP-1002	Cressida	2.8L L6 F/I	E-2605-1	HP-2004
<b>1986 TOYOTA</b>				Hilux	2.0L L4 F/I	E-2610	
4 Runner	2.4L L4 F/I		HP-2004	Land Cruiser	2.4L L4 CARB	38-9207	
4 Runner	2.4L L4 F/I - exc. Turbo	E-2820	HP-2004	Land Cruiser	2.4L L4 DSL	E-2417	
4 Runner	2.4L L4 F/I - Turbo	33-2009	HP-2004	Land Cruiser	3.4L L4 DSL	E-2440	
Camry	1.8L L4 CARB - w/Panel Filter	33-2533		Land Cruiser	4.0L L6 DSL	E-2440	
Camry	1.8L L4 CARB - w/Round Filter	E-2640		Land Cruiser	4.2L L6 CARB	E-2940	HP-3001
Camry	1.8L L4 DSL	33-2030		MR2	1.6L L4 F/I	E-2485 ♦	HP-1003
Camry	1.8L L4 F/I	33-2533		Pickup	2.4L L4 CARB	E-2820	HP-2004
Camry	2.0L L4 DSL	33-2030		Pickup	2.4L L4 DSL - exc. Turbo	E-2220	HP-3001
Camry	2.0L L4 F/I	33-2533	HP-1003	Pickup	2.4L L4 DSL - Turbo	E-2487	HP-3001
Celica	1.6L L4 CARB - 56mm High	E-2370		Pickup	2.4L L4 F/I	33-2009	HP-2004
Celica	1.6L L4 F/I	33-2533		Supra	2.8L L6 F/I	E-2487	
Celica	2.0L L4 CARB - 57mm High	E-2610		Tercel	1.4L L4 CARB	E-2690	
Celica	2.0L L4 CARB - 70mm High	E-2488		Tercel	1.5L L4 CARB	E-2690	HP-1003
Celica	2.0L L4 F/I	33-2030	HP-1003	Van	2.0L L4 F/I	33-2009	HP-2005
Celica GT	2.0L L4 F/I	33-2030	HP-1003	<b>1984 TOYOTA</b>			
Celica GTS	2.0L L4 F/I	33-2030	HP-1003	4 Runner	2.4L L4 CARB	E-2820	HP-1002
Corolla	1.3L L4 CARB	E-9106		Camry	1.8L L4 CARB - w/Panel Filter	33-2533	
Corolla	1.6L L4 CARB	E-2690	HP-1003				

\*Indicates 2 filters required

♦ - Intake kit available

Applications updated daily at [knfilters.com](http://knfilters.com) ®

# AIR & OIL FILTERS

# TOYOTA

Vehicle	Engine Type	Air Filter	Oil Filter	Vehicle	Engine Type	Air Filter	Oil Filter
<b>1984 TOYOTA</b>				<b>1982 TOYOTA</b>			
Camry	1.8L L4 CARB - w/Round Filter	E-2640		Celica	1.6L L4 CARB - 40mm High	E-2690	
Camry	1.8L L4 DSL	33-2030	HP-2004	Celica	1.6L L4 CARB - 56mm High	E-2370	
Camry	2.0L L4 F/I	33-2533	HP-1003	Celica	2.0L L4 CARB - 57mm High	E-2610	
Celica	1.6L L4 CARB - 40mm High	E-2690		Celica	2.0L L4 CARB - 70mm High	E-2488	
Celica	1.6L L4 CARB - 56mm High	E-2370		Celica	2.4L L4 CARB	E-2820	HP-2004
Celica	1.6L L4 F/I	33-2533		Celica	2.8L L6 F/I	E-2487	HP-2004
Celica	2.0L L4 CARB - 57mm High	E-2610		Corolla	1.3L L4 CARB	E-2370	
Celica	2.0L L4 CARB - 70mm High	E-2488		Corolla	1.6L L4 CARB - 110BHP	E-2488	
Celica	2.4L L4 F/I	E-2487	HP-2004	Corolla	1.6L L4 CARB - Exc., 110BHP	E-2640	
Celica	2.8L L6 F/I	E-2487	HP-2004	Corolla	1.8L L4 CARB	E-2760	HP-2004
Corolla	1.3L L4 CARB	E-2690		Corona	2.4L L4 CARB	E-2820	HP-2004
Corolla	1.6L L4 CARB	E-2690	HP-1003	Land Cruiser	3.0L L4 DSL	E-2440	
Corolla	1.8L L4 DSL	33-2030	HP-2004	Land Cruiser	3.4L L4 DSL	E-2440	
Cressida	2.8L L6 F/I	33-2009	HP-2004	Land Cruiser	4.0L L6 DSL	E-2440	
Hilux	2.0L L4 F/I	E-2610		Land Cruiser	4.2L L6 CARB	E-2940	HP-3001
Land Cruiser	2.4L L4 CARB	38-9207		Pickup	2.2L L4 DSL	E-2220	HP-3001
Land Cruiser	2.4L L4 DSL	E-2417		Pickup	2.4L L4 CARB	E-2820	HP-2004
Land Cruiser	3.0L L4 DSL	E-2440		Starlet	1.3L L4 CARB	E-2370	HP-2005
Land Cruiser	3.4L L4 DSL	E-2440		Supra	2.8L L6 F/I	E-2487	
Land Cruiser	4.0L L6 DSL	E-2440		Terrel	1.5L L4 CARB	E-2690	HP-1003
Land Cruiser	4.2L L6 CARB	E-2940	HP-3001				
Pickup	2.4L L4 CARB	E-2820	HP-2004	<b>1981 TOYOTA</b>			
Pickup	2.4L L4 DSL	E-2220	HP-3001	Celica	2.2L L4 2 BBL.		HP-2004
Pickup	2.4L L4 F/I	33-2009	HP-2004	Celica	2.4L L4 CARB	E-2820	HP-2004
Starlet	1.0L L4 CARB - To 9/84	E-2370		Corolla	1.8L L4 CARB	E-2760	HP-2004
Starlet	1.3L L4 CARB - from 10/84	E-9106		Corona	2.4L L4 CARB	E-2820	HP-2004
Starlet	1.3L L4 CARB - To 9/84	E-2370		Land Cruiser	3.0L L4 DSL	E-2440	
Starlet	1.3L L4 F/I	E-2488	HP-2005	Land Cruiser	3.4L L4 DSL	E-2440	
Supra	2.8L L6 F/I	E-2487		Land Cruiser	4.0L L6 DSL	E-2440	
Terrel	1.5L L4 CARB	E-2690	HP-1003	Land Cruiser	4.2L L6 CARB	E-2940	HP-3001
Van	2.0L L4 F/I	33-2009	HP-2005	Pickup	2.2L L4 DSL	E-2220	HP-3001
				Pickup	2.4L L4 CARB	E-2820	HP-2004
<b>1983 TOYOTA</b>				Starlet	1.3L L4 CARB	E-2370	HP-2005
Camry	2.0L L4 F/I	33-2533	HP-1003	Supra	2.8L L6 F/I	E-2487	
Celica	2.4L L4 CARB	E-2820	HP-2004	<b>1980 TOYOTA</b>			
Celica	2.4L L4 F/I	E-2487	HP-2004	Celica	2.2L L4 CARB	E-2820	HP-2004
Celica	2.8L L6 F/I	E-2487	HP-3001	Corolla	1.2L L4 CARB	E-2488	
Corolla	1.3L L4 CARB - From 6/83	E-2690		Corolla	1.3L L4 CARB	E-2370	
Corolla	1.3L L4 CARB - To 5/83	E-2370		Corolla	1.6L L4 CARB - 110BHP	E-2488	
Corolla	1.6L L4 CARB - 110BHP	E-2488		Corolla	1.6L L4 CARB - Exc., 110BHP	E-2640	
Corolla	1.6L L4 CARB - Exc., 110BHP	E-2640		Corolla	1.8L L4 CARB		HP-2004
Corolla	1.6L L4 CARB - US	E-2690	HP-1003	Corona	2.2L L4 CARB	E-2820	HP-2004
Corolla	1.8L L4 DSL	33-2030		Land Cruiser	3.0L L4 DSL	E-2440	
Cressida	2.0L L4 CARB - 105BHP	E-2605-1		Land Cruiser	3.4L L4 DSL	E-2440	
Cressida	2.0L L4 F/I - 109BHP	33-2009		Land Cruiser	3.6L L6 DSL	E-2440	
Cressida	2.8L L6 F/I	33-2009	HP-2004	Land Cruiser	4.0L L6 DSL	E-2440	
Land Cruiser	3.0L L4 DSL	E-2440		Land Cruiser	4.2L L6 CARB	E-2940	HP-3001
Land Cruiser	3.4L L4 DSL	E-2440		Pickup	2.2L L4 CARB	E-2820	HP-2004
Land Cruiser	4.0L L6 DSL	E-2440		Terrel	1.5L L4 CARB	E-2690	HP-1003
Land Cruiser	4.2L L6 CARB	E-2940	HP-3001	<b>1979 TOYOTA</b>			
Pickup	2.2L L4 DSL	E-2220	HP-3001	Celica	2.6L L6 F/I		HP-2004
Pickup	2.4L L4 CARB	E-2820	HP-2004	Corolla	1.2L L4 CARB	E-2488	HP-2005
Starlet	1.3L L4 CARB	E-2370		Corolla	1.3L L4 CARB	E-2370	
Starlet	1.3L L4 F/I	E-2488	HP-2005	Corolla	1.6L L4 CARB	E-2640	HP-2004
Supra	2.8L L6 F/I	E-2487		Land Cruiser	3.0L L4 DSL	E-2440	
Terrel	1.5L L4 CARB	E-2690	HP-1003	Land Cruiser	3.6L L6 DSL	E-2440	
				Land Cruiser	4.2L L6 CARB	E-2940	HP-3001
				Pickup	2.2L L4 CARB	E-2820	HP-2004

\*Indicates 2 filters required      ♦ - Intake kit available      Applications updated daily at [knfilters.com](http://knfilters.com) ®

**Partial Listing - Complete List of Vehicles and Applications at [knfilters.com](http://knfilters.com)**

# TOYOTA

# AIR & OIL FILTERS

Vehicle	Engine Type	Air Filter	Oil Filter
<b>1978 TOYOTA</b>			
Celica	2.2L L4 CARB	E-2820	HP-2004
Corolla	1.2L L4 CARB	E-2488	HP-2005
Corolla	1.6L L4 CARB	E-2640	HP-2004
Land Cruiser	3.0L L4 DSL	E-2440	
Land Cruiser	3.6L L6 DSL	E-2440	
Land Cruiser	4.2L L6 CARB	E-2940	HP-3001
Pickup	2.2L L4 CARB	E-2820	HP-2004
<b>1977 TOYOTA</b>			
Celica	1.6L L4 CARB - 40mm High	E-2690	
Celica	1.6L L4 CARB - 56mm High	E-2370	
Celica	1.6L L4 CARB - 57mm High	E-2640	
Celica	1.6L L4 CARB - 70mm High	E-2488	
Celica	2.0L L4 CARB - 57mm High	E-2610	
Celica	2.0L L4 CARB - 70mm High	E-2488	
Celica	2.2L L4 CARB	E-2820	HP-2004
Corolla	1.2L L4 CARB	E-2488	HP-2005
Corolla	1.6L L4 CARB	E-2640	HP-2004
Land Cruiser	3.0L L4 DSL	E-2440	
Land Cruiser	3.6L L6 DSL	E-2440	
Land Cruiser	4.2L L6 CARB	E-2940	HP-3001
Pickup	2.2L L4 CARB	E-2820	HP-2004
<b>1976 TOYOTA</b>			
Celica	1.6L L4 CARB - 57mm High	E-2640	
Celica	1.6L L4 CARB - 70mm High	E-2488	
Celica	2.0L L4 CARB	E-2760	
Celica	2.2L L4 CARB	E-2820	HP-2004
Corolla	1.2L L4 CARB	E-2488	
Corolla	1.6L L4 CARB	E-2640	HP-2004
Land Cruiser	3.0L L4 DSL	E-2440	
Land Cruiser	3.6L L6 DSL	E-2440	
Land Cruiser	4.2L L6 CARB	E-2940	HP-3001
<b>1975 TOYOTA</b>			
Corolla	1.2L L4 CARB	E-2488	
Corolla	1.6L L4 CARB	E-2640	HP-2004
Land Cruiser	3.0L L4 DSL	E-2440	
Land Cruiser	3.6L L6 DSL	E-2440	
Land Cruiser	3.9L L6 CARB	E-2440	
Land Cruiser	4.2L L6 CARB	E-2940	HP-3001
<b>1974 TOYOTA</b>			
Celica	2.0L L4 CARB	E-2760	HP-2005
Corolla	1.2L L4 CARB	E-2488	HP-2005
Corolla	1.6L L4 CARB	E-2640	HP-2004
Land Cruiser	3.0L L4 DSL	E-2440	
Land Cruiser	3.9L L6 CARB	E-2440	HP-3001
<b>1973 TOYOTA</b>			
Celica	1.6L L4 CARB - 57mm High	E-2640	
Celica	1.6L L4 CARB - 70mm High	E-2488	
Corolla	1.2L L4 CARB		HP-2005
Land Cruiser	3.9L L6 CARB	E-2440	HP-3001
<b>1972 TOYOTA</b>			
Celica	2.0L L4 CARB	E-2760	HP-2005
Corolla	1.6L L4 CARB	E-2640	HP-2004
Land Cruiser	3.9L L6 CARB	E-2440	HP-3001
<b>1971 TOYOTA</b>			
Celica	1.9L L4 CARB	E-2760	HP-2005

Vehicle	Engine Type	Air Filter	Oil Filter
<b>1971 TOYOTA</b>			
Land Cruiser	3.9L L6 CARB	E-2440	HP-3001
<b>1970 TOYOTA</b>			
Land Cruiser	3.9L L6 CARB	E-2440	HP-3001
<b>1969 TOYOTA</b>			
Land Cruiser	3.9L L6 CARB	E-2440	HP-3001
<b>1968 TOYOTA</b>			
Land Cruiser	3.9L L6 CARB		HP-3001
<b>1991 TRABANT</b>			
Trabant	1.1L L4 CARB	33-2003	
<b>1990 TRABANT</b>			
Trabant	1.1L L4 CARB	33-2003	
<b>2011 TRIUMPH</b>			
Speedmaster	865	TB-8002	
Sprint GT	1050	TB-1005	
<b>2010 TRIUMPH</b>			
America	865	TB-8002	KN-204
		TB-8002	KN-204C
Bonneville	865	TB-9004	KN-204
		TB-9004	KN-204C
Bonneville SE	900	TB-9004	KN-204
		TB-9004	KN-204C
Bonneville T100	865	TB-9004	KN-204
		TB-9004	KN-204C
Daytona 675	671	TB-6706	KN-204
		TB-6706	KN-204C
Rocket III	2294	TB-2204	KN-204
		TB-2204	KN-204C
Rocket III Roadster	2294	TB-2204	KN-204
		TB-2204	KN-204C
Rocket III Touring	2294	TB-2204	KN-204
		TB-2204	KN-204C
Scrambler	865	TB-9004	KN-204
		TB-9004	KN-204C
Speed Triple	1050	TB-1005	KN-204
		TB-1005	KN-204C
Speed Triple	675		KN-204
			KN-204C
Speedmaster	865	TB-8002	KN-204
		TB-8002	KN-204C
Sprint ST	1050	TB-1005	KN-204
		TB-1005	KN-204C
Street Triple	671	TB-6706	KN-204
		TB-6706	KN-204C
Street Triple R	671	TB-6706	KN-204
		TB-6706	KN-204C
Thruxton	865	TB-9004	KN-204
		TB-9004	KN-204C
Thunderbird	1600		KN-204
			KN-204C
Tiger	1050	TB-1005	KN-204
		TB-1005	KN-204C
Tiger 1050 SE	1050		KN-204
			KN-204C
<b>2009 TRIUMPH</b>			
America	865	TB-8002	KN-204
		TB-8002	KN-204C
Bonneville	865	TB-9004	KN-204
		TB-9004	KN-204C
Bonneville SE	900	TB-9004	KN-204
		TB-9004	KN-204C

\*Indicates 2 filters required

◆ - Intake kit available

Applications updated daily at [knfilters.com](http://knfilters.com) ®

# AIR & OIL FILTERS

# TRIUMPH

Vehicle	Engine Type	Air Filter	Oil Filter	Vehicle	Engine Type	Air Filter	Oil Filter
<b>2009 TRIUMPH</b>				<b>2008 TRIUMPH</b>			
Bonneville T100	865	TB-9004	KN-204	Thruxton	865	TB-9004	KN-204
		TB-9004	KN-204C			TB-9004	KN-204C
Daytona 675	671	TB-6706	KN-204	Tiger	1050	TB-1005	KN-204
		TB-6706	KN-204C			TB-1005	KN-204C
Daytona 675 SE	671	TB-6706	KN-204	<b>2007 TRIUMPH</b>			
		TB-6706	KN-204C	America	865	TB-8002	KN-204
Rocket III	2294	TB-2204	KN-204			TB-8002	KN-204C
		TB-2204	KN-204C	Bonneville	865	TB-9004	KN-204
Rocket III Classic	2294	TB-2204	KN-204			TB-9004	KN-204C
		TB-2204	KN-204C	Bonneville Black	865		KN-204
Rocket III Touring	2294	TB-2204	KN-204				KN-204C
		TB-2204	KN-204C	Bonneville T100	865	TB-9004	KN-204
Scrambler	865	TB-9004	KN-204			TB-9004	KN-204C
		TB-9004	KN-204C	Daytona 675	671	TB-6706	KN-204
Speed Triple	1050	TB-1005	KN-204			TB-6706	KN-204C
		TB-1005	KN-204C	Rocket III	2294	TB-2204	KN-204
Speed Triple	675		KN-204			TB-2204	KN-204C
			KN-204C	Rocket III Classic	2294	TB-2204	KN-204
Speedmaster	865	TB-8002	KN-204			TB-2204	KN-204C
		TB-8002	KN-204C	Scrambler	865	TB-9004	KN-204
Sprint ST	1050	TB-1005	KN-204			TB-9004	KN-204C
		TB-1005	KN-204C	Speed Triple	1050	TB-1005	KN-204
Street Triple	671	TB-6706	KN-204			TB-1005	KN-204C
		TB-6706	KN-204C	Speed Triple	675		KN-204
Street Triple R	671	TB-6706	KN-204				KN-204C
		TB-6706	KN-204C	Speedmaster	865	TB-8002	KN-204
Thruxton	865	TB-9004	KN-204			TB-8002	KN-204C
		TB-9004	KN-204C	Sprint ST	1050	TB-1005	KN-204
Thunderbird	1600		KN-204			TB-1005	KN-204C
			KN-204C	Thruxton	865	TB-9004	KN-204
Tiger	1050	TB-1005	KN-204			TB-9004	KN-204C
		TB-1005	KN-204C	Tiger	1050	TB-1005	KN-204
<b>2008 TRIUMPH</b>						TB-1005	KN-204C
America	865	TB-8002	KN-204	<b>2006 TRIUMPH</b>			
		TB-8002	KN-204C	America	865	TB-8002	KN-204
Bonneville	865	TB-9004	KN-204			TB-8002	KN-204C
		TB-9004	KN-204C	Bonneville 800	800	TB-9004	KN-204
Bonneville Black	865		KN-204			TB-9004	KN-204C
			KN-204C	Bonneville T100	865	TB-9004	KN-204
Bonneville T100	865	TB-9004	KN-204			TB-9004	KN-204C
		TB-9004	KN-204C	Daytona 675	671	TB-6706	KN-204
Daytona 675	671	TB-6706	KN-204			TB-6706	KN-204C
		TB-6706	KN-204C	Daytona 955i	955	TB-9002	KN-204
Daytona 675 SE	671	TB-6706	KN-204			TB-9002	KN-204C
		TB-6706	KN-204C	Rocket III	2294	TB-2204	KN-204
Rocket III	2294	TB-2204	KN-204			TB-2204	KN-204C
		TB-2204	KN-204C	Rocket III Classic	2294	TB-2204	KN-204
Rocket III Classic	2294	TB-2204	KN-204			TB-2204	KN-204C
		TB-2204	KN-204C	Scrambler	865	TB-9004	KN-204
Rocket III Touring	2294	TB-2204	KN-204			TB-9004	KN-204C
		TB-2204	KN-204C	Speed Four	596	TB-6000	KN-204
Scrambler	865	TB-9004	KN-204			TB-6000	KN-204C
		TB-9004	KN-204C	Speed Triple	1050	TB-1005	KN-204
Speed Triple	1050	TB-1005	KN-204			TB-1005	KN-204C
		TB-1005	KN-204C	Speedmaster	865	TB-8002	KN-204
Speed Triple	675		KN-204			TB-8002	KN-204C
			KN-204C	Sprint ST	1050	TB-1005	KN-204
Speedmaster	865	TB-8002	KN-204			TB-1005	KN-204C
		TB-8002	KN-204C	Thruxton	865	TB-9004	KN-204
Sprint ST	1050	TB-1005	KN-204			TB-9004	KN-204C
		TB-1005	KN-204C	Tiger	956	TB-9097	KN-204
Street Triple 675	671	TB-6706	KN-204			TB-9097	KN-204C
		TB-6706	KN-204C				

\*Indicates 2 filters required

◆ - Intake kit available

Applications updated daily at [knfilters.com](http://knfilters.com) ®

Partial Listing - Complete List of Vehicles and Applications at [knfilters.com](http://knfilters.com)

# TRIUMPH

# AIR & OIL FILTERS

Vehicle	Engine Type	Air Filter	Oil Filter	Vehicle	Engine Type	Air Filter	Oil Filter
<b>2005 TRIUMPH</b>				<b>2003 TRIUMPH</b>			
America	865	TB-8002	KN-204	Sprint ST	956	TB-9002	KN-191
		TB-8002	KN-204C	Thunderbird	885	TB-9095	KN-192
Bonneville 800	800	TB-9004	KN-204	Thunderbird Sport	900	TB-9095	KN-192
		TB-9004	KN-204C	Tiger	956	TB-9097	KN-191
Bonneville T100	865	TB-9004	KN-204	Trophy 1200	1179	TB-9091	KN-192
		TB-9004	KN-204C	TT600	596	TB-6000	KN-191
Daytona 650	650	TB-6000	KN-204	<b>2002 TRIUMPH</b>			
		TB-6000	KN-204C	America	800		KN-191
Daytona 955i	956	TB-9002	KN-204	Bonneville 800	800	TB-9004	KN-191
		TB-9002	KN-204C	Bonneville America	800	TB-8002	KN-191
Rocket III	2294	TB-2204	KN-204	Bonneville T100	800	TB-9004	KN-191
		TB-2204	KN-204C	Daytona 955i	956	TB-9002	KN-191
Speed Four	596	TB-6000	KN-204	Speed Triple	956	TB-9002	KN-191
		TB-6000	KN-204C	Speed Triple T509	955	TB-9002	KN-191
Speed Triple	1050	TB-1005	KN-204	Sprint RS	956	TB-9002	KN-191
		TB-1005	KN-204C	Sprint ST	956	TB-9002	KN-191
Speed Triple 955i	955		KN-204	Thunderbird	885	TB-9095	KN-192
			KN-204C	Thunderbird Sport	900	TB-9095	KN-192
Speedmaster	800	TB-8002	KN-204	Tiger	956	TB-9097	KN-191
		TB-8002	KN-204C	Trophy 1200	1179	TB-9091	KN-192
Speedmaster	865	TB-8002	KN-204	TT600	596	TB-6000	KN-191
		TB-8002	KN-204C	<b>2001 TRIUMPH</b>			
Sprint ST	1050	TB-1005	KN-204	Adventurer 900	885	TB-9095	KN-192
		TB-1005	KN-204C	Bonneville 800	800	TB-9004	KN-191
Sprint ST	956		KN-204	Daytona 955i	956	TB-9097	KN-191
			KN-204C	Legend TT	885	TB-9095	KN-192
Thrupton	865	TB-9004	KN-204	Speed Triple	956	TB-9097	KN-191
		TB-9004	KN-204C	Speed Triple T509	955	TB-9097	KN-191
Tiger	956	TB-9097	KN-204	Sprint RS	956	TB-9097	KN-191
		TB-9097	KN-204C	Sprint ST	956	TB-9097	KN-191
TT600	600	TB-6000	KN-191	Thunderbird	885	TB-9095	KN-192
<b>2004 TRIUMPH</b>				Thunderbird Sport	900	TB-9095	KN-192
America	800		KN-191	Tiger	956	TB-9097	KN-191
America	865	TB-8002	KN-204	Trophy 900	885	TB-9091	KN-192
		TB-8002	KN-204C	Trophy 1200	1179	TB-9091	KN-192
Bonneville 800	800	TB-9004	KN-191	TT600	596	TB-6000	KN-191
Bonneville T100	800	TB-9004	KN-191	<b>2000 TRIUMPH</b>			
Daytona 600	600	TB-6000	KN-204	Adventurer 900	885	TB-9095	KN-192
		TB-6000	KN-204C	Daytona 955i	956	TB-9097	KN-191
Daytona 955i	956	TB-9002	KN-191	Daytona T595	955	TB-9097	KN-192
Rocket III	2294	TB-2204	KN-204	Legend TT	885	TB-9095	KN-192
		TB-2204	KN-204C	Speed Triple	956	TB-9097	KN-191
Speed Four	596	TB-6000	KN-191	Speed Triple T509	955	TB-9097	KN-191
Speed Triple	956	TB-9002	KN-191	Sprint RS	956	TB-9097	KN-192
Speedmaster	800	TB-8002	KN-204	Sprint ST	956	TB-9097	KN-192
		TB-8002	KN-204C	Thunderbird	885	TB-9095	KN-192
Sprint RS	956	TB-9002	KN-191	Thunderbird Sport	885	TB-9095	KN-192
Sprint ST	956	TB-9002	KN-191	Tiger	885	TB-9097	KN-192
Thrupton	865	TB-9004	KN-204	Trophy 900	885	TB-9091	KN-192
		TB-9004	KN-204C	Trophy 1200	1179	TB-9091	KN-192
Tiger	956	TB-9097	KN-191	TT600	596	TB-6000	KN-191
TT600	596	TB-6000	KN-191	<b>1999 TRIUMPH</b>			
<b>2003 TRIUMPH</b>				Adventurer 900	885	TB-9095	KN-192
America	800	TB-8002	KN-191	Daytona 955i	956	TB-9097	KN-191
Bonneville 800	800	TB-9004	KN-191	Daytona T595	955	TB-9097	KN-192
Bonneville T100	800	TB-9004	KN-191	Legend TT	885	TB-9095	KN-192
Daytona 600	600		KN-191	Speed Triple	956	TB-9097	KN-191
Daytona 955i	956	TB-9002	KN-191	Speed Triple T509	955	TB-9097	KN-192
Speed Four	600	TB-6000	KN-191	Sprint RS	956	TB-9097	KN-192
Speed Triple	956	TB-9002	KN-191	Sprint ST	956	TB-9097	KN-192
Speedmaster	800	TB-8002	KN-204	Thunderbird	885	TB-9095	KN-192
		TB-8002	KN-204C	Thunderbird Sport	885	TB-9095	KN-192
Sprint RS	956	TB-9002	KN-191				

\*Indicates 2 filters required

◆ - Intake kit available

Applications updated daily at [knfilters.com](http://knfilters.com) ®



# AIR & OIL FILTERS

# TRIUMPH

Vehicle	Engine Type	Air Filter	Oil Filter
<b>1999 TRIUMPH</b>			
Tiger	885	TB-9097	KN-192
Trophy 900	885	TB-9091	KN-192
Trophy 1200	1179	TB-9091	KN-192
<b>1998 TRIUMPH</b>			
Adventurer 900	885	TB-9095	KN-192
Daytona T595	955	TB-9097	KN-191
Speed Triple	956	TB-9091	
Speed Triple T509	885	TB-9097	KN-191
Sprint 900	900	TB-9091	KN-192
Sprint Sports 900	900		KN-401
Thunderbird	885	TB-9095	KN-192
Thunderbird Sport	885	TB-9095	KN-192
Tiger	885	TB-9091	KN-192
Trident 750	749		KN-192
Trident 900	885	TB-9091	KN-192
Trophy 900	885	TB-9091	KN-192
Trophy 1200	1179	TB-9091	KN-192
<b>1997 TRIUMPH</b>			
Adventurer 900	885	TB-9095	KN-192
Daytona 900	885		KN-192
Daytona 1200	1179	TB-9091	KN-192
Daytona Super III	900	TB-9091	KN-192
Daytona T595	955	TB-9097	KN-191
Speed Triple	885	TB-9091	
Speed Triple 750	750		KN-192
Speed Triple T509	885	TB-9097	KN-191
Sprint 900	885	TB-9091	KN-192
Sprint Sports 900	900		KN-401
Thunderbird	885	TB-9095	KN-192
Thunderbird Sport	900	TB-9095	KN-192
Tiger	885	TB-9091	KN-192
Trident 750	749	TB-9091	KN-192
Trident 900	885	TB-9091	KN-192
Trophy 900	885	TB-9091	KN-192
Trophy 1200	1179	TB-9091	KN-192
<b>1996 TRIUMPH</b>			
Adventurer 900	885	TB-9095	KN-192
Daytona 900	885	TB-9091	KN-192
Daytona 1200	1179	TB-9091	KN-192
Daytona Super III	900	TB-9091	KN-192
Speed Triple	885	TB-9091	KN-192
Speed Triple	900		KN-401
Sprint 900	885	TB-9091	KN-192
Sprint Sports 900	900		KN-401
Thunderbird Sport	900	TB-9095	KN-192
Trident 750	749	TB-9091	KN-192
Trident 900	885	TB-9091	KN-192
Trophy 900	885	TB-9091	KN-192
Trophy 1200	1179	TB-9091	KN-192
<b>1995 TRIUMPH</b>			
Adventurer 900	885		KN-192
Daytona 750	750	TB-9091	KN-192
Daytona 900	885	TB-9091	KN-192
Daytona 1000	1000	TB-9091	KN-192
Daytona 1200	1179	TB-9091	KN-192
Daytona Super III	900	TB-9091	KN-192
Speed Triple	885	TB-9091	KN-192
Speed Triple	900		KN-401
Sprint 900	885	TB-9091	KN-192
Sprint Sports 900	900		KN-401
Thunderbird	750		KN-192
			KN-401

Vehicle	Engine Type	Air Filter	Oil Filter
<b>1995 TRIUMPH</b>			
Thunderbird	885	TB-9095	KN-192
Thunderbird Sport	900	TB-9095	KN-192
Tiger	885	TB-9091	KN-192
Trident 750	749	TB-9091	KN-192
Trident 900	885	TB-9091	KN-192
Trophy 900	885	TB-9091	KN-192
Trophy 1200	1179	TB-9091	KN-192
<b>1994 TRIUMPH</b>			
Daytona 900	885	TB-9091	KN-192
Daytona 1200	1179	TB-9091	KN-192
Daytona Super III	900	TB-9091	KN-192
Speed Triple	885	TB-9091	KN-192
Speed Triple	900		KN-401
Trident 750	749	TB-9091	KN-192
Trident 900	885	TB-9091	KN-192
Trophy 900	885	TB-9091	KN-192
Trophy 1200	1179	TB-9091	KN-192
<b>1993 TRIUMPH</b>			
Daytona 750	750	TB-9091	KN-192
Daytona 1000	1000	TB-9091	KN-192
Daytona 1200	1179	TB-9091	KN-192
Tiger	885	TB-9091	KN-192
Trident 750	749	TB-9091	KN-192
Trident 900	885	TB-9091	KN-192
Trophy 900	885	TB-9091	KN-192
Trophy 1200	1179	TB-9091	KN-192
<b>1992 TRIUMPH</b>			
Daytona 750	750	TB-9091	KN-192
Daytona 1000	1000	TB-9091	KN-192
Trident 750	750	TB-9091	KN-192
Trident 900	885	TB-9091	KN-192
Trophy 900	885	TB-9091	KN-192
Trophy 1200	1179	TB-9091	KN-192
<b>1991 TRIUMPH</b>			
Daytona 750	750	TB-9091	KN-192
Daytona 1000	1000	TB-9091	KN-192
Tiger	900	TB-9091	KN-192
Trident 750	750		KN-192
Trident 900	885	TB-9091	KN-192
Trophy 900	900	TB-9091	KN-192
Trophy 1200	1200	TB-9091	KN-192
<b>1982 TRIUMPH</b>			
TR7	2.0L L4 1 BBL.		33-2522
<b>1981 TRIUMPH</b>			
TR7	2.0L L4 CARB		33-2522
<b>1980 TRIUMPH</b>			
Spitfire	1.5L L4 CARB - Engines Fitted w/ 3/4 in Filter Adaptor Stud		HP-2004
TR7	2.0L L4 CARB	33-2522	
TR8	3.5L V8 CARB		HP-2004
<b>1979 TRIUMPH</b>			
Spitfire	1.5L L4 CARB - Engines Fitted w/ 3/4 in Filter Adaptor Stud		HP-2004
TR7	2.0L L4 CARB - Calif.	E-2420	
TR7	2.0L L4 CARB - exc. Calif	33-2522	
<b>1978 TRIUMPH</b>			
Spitfire	1.5L L4 CARB - Engines Fitted w/ 3/4 in Filter Adaptor Stud		HP-2004

\*Indicates 2 filters required

◆ - Intake kit available

Applications updated daily at [knfilters.com](http://knfilters.com) ®

Partial Listing - Complete List of Vehicles and Applications at [knfilters.com](http://knfilters.com)

# TRIUMPH

# AIR & OIL FILTERS

Vehicle	Engine Type	Air Filter	Oil Filter
<b>1978 TRIUMPH</b>			
TR7	2.0L L4 CARB - Calif.	E-2420	
TR7	2.0L L4 CARB - exc. Calif	33-2522	
<b>1977 TRIUMPH</b>			
Spitfire	1.5L L4 CARB - Engines Fitted w/ 3/4 in Filter Adaptor Stud		HP-2004
TR7	2.0L L4 1 BBL. - Calif.	E-2420	
TR7	2.0L L4 1 BBL. - exc. Calif	33-2522	
<b>1976 TRIUMPH</b>			
Spitfire	1.5L L4 CARB - Engines Fitted w/ 3/4 in Filter Adaptor Stud		HP-2004
Stag	3.0L V8 2 BBL.	33-2011	
TR6	2.0L L6 CARB	E-2540	
TR7	2.0L L4 CARB - Calif.	E-2420	
TR7	2.0L L4 CARB - exc. Calif	33-2522	
<b>1975 TRIUMPH</b>			
Spitfire	1.5L L4 CARB - Engines Fitted w/ 3/4 in Filter Adaptor Stud		HP-2004
Stag	3.0L V8 2 BBL.	33-2011	
TR7	2.0L L4 CARB - exc. Calif	33-2522	
<b>1974 TRIUMPH</b>			
Spitfire	1.5L L4 CARB - Engines Fitted w/ 3/4 in Filter Adaptor Stud		HP-2004
<b>1973 TRIUMPH</b>			
Spitfire	1.5L L4 CARB - Engines Fitted w/ 3/4 in Filter Adaptor Stud		HP-2004
Stag	3.0L V8 CARB	33-2011	
<b>1972 TRIUMPH</b>			
Dolomite	2.0L - Sprint	33-2011	
Spitfire	1.3L L4 CARB - Engines Fitted w/ 3/4 in Filter Adaptor Stud		HP-2004
Stag	3.0L V8 CARB	33-2011	
<b>1971 TRIUMPH</b>			
Herald	1200	E-3180	
Spitfire	1.3L L4 CARB - Engines Fitted w/ 3/4 in Filter Adaptor Stud		HP-2004
TR6	2.5L L6 F/I	E-9108	
<b>1970 TRIUMPH</b>			
Herald	1200	E-3180	
Spitfire	1.3L L4 CARB - Engines Fitted w/ 3/4 in Filter Adaptor Stud		HP-2004
TR6	2.5L L6 CARB	E-9108	
<b>1969 TRIUMPH</b>			
Herald	1200	E-3180	
TR6	2.5L L6 CARB	E-2540	
TR6	2.5L L6 F/I	E-9108	
<b>1968 TRIUMPH</b>			
Herald	1200	E-3180	
<b>1967 TRIUMPH</b>			
Herald	1200	E-3180	
<b>1966 TRIUMPH</b>			
Herald	1200	E-3180	

Vehicle	Engine Type	Air Filter	Oil Filter
<b>1965 TRIUMPH</b>			
Herald	1200	E-3180	
<b>1964 TRIUMPH</b>			
Herald	1200	E-3180	
<b>1963 TRIUMPH</b>			
Herald	1200	E-3180	
Spitfire	70 L4 CARB - Engines Fitted w/ 3/4 in Filter Adaptor Stud		HP-2004
<b>1962 TRIUMPH</b>			
Herald	1.1L L4 CARB	E-3180	
<b>2011 VAUXHALL</b>			
Agila	1.0L L3 F/I	33-2949	
Agila	1.2L L4 F/I	33-2949	
Agila	1.3L L4 DSL	33-2952	
Antara	2.0L L4 DSL	33-2956	
Antara	2.0L L4 F/I	33-2956	
Antara	2.4L L4 F/I	33-2956	
Insignia	1.6L L4 F/I	33-2962	
Insignia	1.8L L4 F/I	33-2962	
Insignia	2.0L L4 DSL	33-2962	
Insignia	2.0L L4 F/I	33-2962	
Insignia	2.8L V6 F/I	33-2962	
VXR8	6.0L V8 F/I	33-2919	
Zafira MK2	1.6L L4 F/I - exc. Turbo	33-2787	
Zafira MK2	1.6L L4 F/I - Turbo	33-2213	
Zafira MK2	1.7L L4 DSL	33-2213	
Zafira MK2	1.8L L4 F/I	33-2787 ♦	
Zafira MK2	1.9L L4 DSL	33-2213	
Zafira MK2	2.0L L4 F/I	33-2787	
Zafira MK2	2.2L L4 F/I	33-2213 ♦	
<b>2010 VAUXHALL</b>			
Agila	1.0L L3 F/I	33-2949	
Agila	1.2L L4 F/I	33-2949	
Agila	1.3L L4 DSL	33-2952	
Astra MK6	1.4L L4 F/I	33-2964	
Astra MK6	1.6L L4 F/I - exc. Turbo	33-2964	
Astra MK6	1.6L L4 F/I - Turbo	33-2966	
Astra MK6	1.7L L4 DSL	33-2966	
Astra MK6	2.0L L4 DSL	33-2966	
Insignia	1.6L L4 F/I	33-2962	
Insignia	1.8L L4 F/I	33-2962	
Insignia	2.0L L4 DSL	33-2962	
Insignia	2.0L L4 F/I	33-2962	
Insignia	2.8L V6 F/I	33-2962	
VXR8	6.0L V8 F/I	33-2919	
<b>2009 VAUXHALL</b>			
Agila	1.0L L3 F/I	33-2949	
Agila	1.2L L4 F/I	33-2949	
Agila	1.3L L4 DSL	33-2952	
Astra MK5	1.3L L4 DSL	33-2787	
Astra MK5	1.4L L4 F/I	33-2787 ♦	
Astra MK5	1.6L L4 F/I	33-2787 ♦	
Astra MK5	1.7L L4 DSL - 291MM x 232MM	33-2787 ♦	
Astra MK5	1.7L L4 DSL - 292MM x 221MM	33-2213 ♦	
Astra MK5	1.8L L4 F/I	33-2787 ♦	
Astra MK5	1.9L L4 DSL	33-2213 ♦	
Astra MK5	2.0L L4 F/I	33-2787 ♦	
Astra MK6	1.4L L4 F/I	33-2964	
Astra MK6	1.6L L4 F/I - exc. Turbo	33-2964	
Astra MK6	1.6L L4 F/I - Turbo	33-2966	

\*Indicates 2 filters required      ♦ - Intake kit available      Applications updated daily at [knfilters.com](http://knfilters.com) ®

# AIR & OIL FILTERS

# VAUXHALL

Vehicle	Engine Type	Air Filter	Oil Filter	Vehicle	Engine Type	Air Filter	Oil Filter
<b>2009 VAUXHALL</b>				<b>2008 VAUXHALL</b>			
Astra MK6	1.7L L4 DSL	33-2966		Meriva	1.3L L4 DSL	33-2212	
Astra MK6	2.0L L4 DSL	33-2966		Meriva	1.4L L4 F/I	33-2212	
Corsa MK3	1.0L L3 F/I	33-2935 ♦		Meriva	1.6L L4 F/I	33-2212 ♦	
Corsa MK3	1.2L L4 F/I	33-2935 ♦		Meriva	1.7L L4 DSL	33-2212 ♦	
Corsa MK3	1.3L L4 DSL	33-2935		Meriva	1.8L L4 F/I	33-2212	
Corsa MK3	1.4L L4 F/I	33-2935 ♦		Movano	1.9L L4 DSL	33-2884	
Corsa MK3	1.6L L4 F/I	33-2935 ♦		Movano	2.2L L4 DSL	33-2892	
Corsa MK3	1.7L L4 DSL	33-2935		Movano	2.5L L4 DSL	33-2892	
Insignia	1.6L L4 F/I	33-2962		Signum	1.8L L4 F/I	33-2848	
Insignia	1.8L L4 F/I	33-2962		Signum	1.9L L4 DSL	33-2848	
Insignia	2.0L L4 DSL	33-2962		Signum	2.0L L4 F/I	33-2848 ♦	HP-7000
Insignia	2.0L L4 F/I	33-2962		Signum	2.2L L4 F/I	33-2848 ♦	
Insignia	2.8L V6 F/I	33-2962		Signum	2.8L V6 F/I	33-2337	
Movano	1.9L L4 DSL	33-2884		Signum	3.0L V6 DSL	33-2848	
Movano	2.2L L4 DSL	33-2892		Signum	3.2L V6 F/I	33-2848	HP-7001
Movano	2.5L L4 DSL	33-2892		Tigra	1.3L L4 DSL	33-2212 ♦	
Signum	1.9L L4 DSL	33-2848		Tigra	1.4L L4 F/I	33-2212 ♦	
Signum	2.0L L4 F/I	33-2848		Tigra	1.8L L4 F/I	33-2212 ♦	
Signum	2.2L L4 F/I	33-2848		Vectra MK2	1.6L L4 F/I	33-2848	
Signum	2.8L V6 F/I	33-2337		Vectra MK2	1.8L L4 F/I	33-2848 ♦	
Signum	3.0L V6 DSL	33-2848		Vectra MK2	1.9L L4 DSL	33-2848 ♦	
Tigra	1.3L L4 DSL	33-2212 ♦		Vectra MK2	2.0L L4 DSL	33-2848 ♦	
Tigra	1.4L L4 F/I	33-2212 ♦		Vectra MK2	2.0L L4 F/I	33-2848 ♦	
Tigra	1.8L L4 F/I	33-2212 ♦		Vectra MK2	2.2L L4 DSL	33-2848 ♦	
VXR8	6.0L V8 F/I	33-2919		Vectra MK2	2.2L L4 F/I	33-2848 ♦	HP-7000
VXR8	6.2L V8 F/I	33-2919		Vectra MK2	2.8L V6 F/I	33-2337	
Zafira MK2	1.6L L4 F/I - exc. Turbo	33-2787		Vectra MK2	3.0L V6 DSL	33-2848	
Zafira MK2	1.6L L4 F/I - Turbo	33-2213		Vectra MK2	3.2L V6 F/I	33-2848 ♦	
Zafira MK2	1.7L L4 DSL	33-2213		VXR8	6.0L V8 F/I	33-2919	
Zafira MK2	1.8L L4 F/I	33-2787 ♦		VXR8	6.2L V8 F/I	33-2919	
Zafira MK2	1.9L L4 DSL	33-2213		Zafira MK2	1.6L L4 F/I	33-2787	
Zafira MK2	2.0L L4 F/I	33-2787 ♦		Zafira MK2	1.7L L4 DSL	33-2213	
Zafira MK2	2.2L L4 F/I	33-2213 ♦		Zafira MK2	1.8L L4 F/I	33-2787 ♦	
<b>2008 VAUXHALL</b>				<b>2007 VAUXHALL</b>			
Agila	1.0L L3 F/I - From 4/08	33-2949		Agila	1.0L L3 F/I	33-2242	
Agila	1.0L L3 F/I - To 3/08	33-2242		Agila	1.2L L4 F/I	33-2242 ♦	
Agila	1.2L L4 F/I - From 4/08	33-2949		Astra MK5	1.3L L4 DSL	33-2787	
Agila	1.2L L4 F/I - To 3/08	33-2242		Astra MK5	1.4L L4 F/I	33-2787 ♦	
Agila	1.3L L4 DSL	33-2952		Astra MK5	1.6L L4 F/I	33-2787 ♦	
Astra MK5	1.3L L4 DSL	33-2787		Astra MK5	1.7L L4 DSL - 291MM x 232MM	33-2787 ♦	
Astra MK5	1.4L L4 F/I	33-2787 ♦		Astra MK5	1.7L L4 DSL - 292MM x 221MM	33-2213 ♦	
Astra MK5	1.6L L4 F/I	33-2787 ♦		Astra MK5	1.7L L4 DSL - 292MM x 221MM	33-2213 ♦	
Astra MK5	1.7L L4 DSL - 291MM x 232MM	33-2787 ♦		Astra MK5	1.7L L4 DSL - 292MM x 221MM	33-2213 ♦	
Astra MK5	1.7L L4 DSL - 292MM x 221MM	33-2213 ♦		Astra MK5	1.8L L4 F/I	33-2787 ♦	
Astra MK5	1.8L L4 F/I	33-2787 ♦		Astra MK5	1.9L L4 DSL	33-2213 ♦	
Astra MK5	1.9L L4 DSL	33-2213 ♦		Astra MK5	2.0L L4 F/I	33-2787 ♦	
Astra MK5	2.0L L4 F/I	33-2787 ♦		Combo	1.3L L4 DSL	33-2212	
Combo	1.3L L4 DSL	33-2212		Combo	1.4L L4 F/I	33-2212	
Combo	1.4L L4 F/I	33-2212		Combo	1.6L L4 F/I	33-2212	
Combo	1.6L L4 F/I	33-2212		Combo	1.7L L4 DSL	33-2212	
Combo	1.7L L4 DSL	33-2212		Corsa MK3	1.0L L4 F/I	33-2935 ♦	
Corsa MK3	1.0L L3 F/I	33-2935 ♦		Corsa MK3	1.2L L4 F/I	33-2935 ♦	
Corsa MK3	1.2L L4 F/I	33-2935 ♦		Corsa MK3	1.3L L4 DSL	33-2935	
Corsa MK3	1.3L L4 DSL	33-2935		Corsa MK3	1.4L L4 F/I	33-2935 ♦	
Corsa MK3	1.4L L4 F/I	33-2935 ♦		Corsa MK3	1.6L L4 F/I	33-2935 ♦	
Corsa MK3	1.6L L4 F/I	33-2935 ♦		Corsa MK3	1.7L L4 DSL	33-2935	
Corsa MK3	1.7L L4 DSL	33-2935		Meriva	1.3L L4 DSL	33-2212	
Insignia	1.6L L4 F/I	33-2962		Meriva	1.4L L4 F/I	33-2212	
Insignia	1.8L L4 F/I	33-2962		Meriva	1.6L L4 F/I	33-2212 ♦	
Insignia	2.0L L4 DSL	33-2962		Meriva	1.7L L4 DSL	33-2212 ♦	
Insignia	2.0L L4 F/I	33-2962		Meriva	1.8L L4 F/I	33-2212	
Insignia	2.8L V6 F/I	33-2962					

\*Indicates 2 filters required      ♦ - Intake kit available      Applications updated daily at [knfilters.com](http://knfilters.com) ®

**Partial Listing - Complete List of Vehicles and Applications at [knfilters.com](http://knfilters.com)**

# VAUXHALL

# AIR & OIL FILTERS

Vehicle	Engine Type	Air Filter	Oil Filter	Vehicle	Engine Type	Air Filter	Oil Filter
<b>2007 VAUXHALL</b>				<b>2006 VAUXHALL</b>			
Movano	1.9L L4 DSL	33-2884		Movano	2.2L L4 DSL	33-2892	
Movano	2.2L L4 DSL	33-2892		Movano	2.5L L4 DSL	33-2892	
Movano	2.5L L4 DSL	33-2892		Movano	3.0L V6 DSL	33-2891	
Signum	1.8L L4 F/I	33-2848		Signum	1.8L L4 F/I	33-2848	
Signum	1.9L L4 DSL	33-2848		Signum	1.9L L4 DSL	33-2848	
Signum	2.0L L4 DSL	33-2848		Signum	2.0L L4 DSL	33-2848	
Signum	2.0L L4 F/I	33-2848 ♦	HP-7000	Signum	2.0L L4 F/I	33-2848 ♦	HP-7000
Signum	2.2L L4 DSL	33-2848		Signum	2.2L L4 DSL	33-2848	
Signum	2.2L L4 F/I	33-2848 ♦	HP-7000	Signum	2.2L L4 F/I	33-2848 ♦	HP-7000
Signum	2.8L V6 F/I	33-2337		Signum	2.8L V6 F/I	33-2337	
Signum	3.0L V6 DSL	33-2848		Signum	3.0L V6 DSL	33-2848	
Signum	3.2L V6 F/I	33-2848	HP-7001	Signum	3.2L V6 F/I	33-2848	HP-7001
Tigra	1.3L L4 DSL	33-2212 ♦		Tigra	1.3L L4 DSL	33-2212 ♦	
Tigra	1.4L L4 F/I	33-2212 ♦		Tigra	1.4L L4 F/I	33-2212 ♦	
Tigra	1.8L L4 F/I	33-2212 ♦		Tigra	1.8L L4 F/I	33-2212 ♦	
Vectra MK2	1.6L L4 F/I	33-2848		Vectra MK2	1.6L L4 F/I	33-2848	
Vectra MK2	1.8L L4 F/I	33-2848 ♦		Vectra MK2	1.8L L4 F/I	33-2848 ♦	
Vectra MK2	1.9L L4 DSL	33-2848 ♦		Vectra MK2	1.9L L4 DSL	33-2848 ♦	
Vectra MK2	2.0L L4 DSL	33-2848 ♦		Vectra MK2	2.0L L4 DSL	33-2848 ♦	
Vectra MK2	2.0L L4 F/I	33-2848 ♦		Vectra MK2	2.0L L4 F/I	33-2848 ♦	
Vectra MK2	2.2L L4 DSL	33-2848 ♦		Vectra MK2	2.2L L4 DSL	33-2848 ♦	
Vectra MK2	2.2L L4 F/I	33-2848 ♦	HP-7000	Vectra MK2	2.2L L4 F/I	33-2848 ♦	HP-7000
Vectra MK2	2.8L V6 F/I	33-2337		Vectra MK2	2.8L V6 F/I	33-2337	
Vectra MK2	3.0L V6 DSL	33-2848		Vectra MK2	3.0L V6 DSL	33-2848	
Vectra MK2	3.2L V6 F/I	33-2848 ♦		Vectra MK2	3.2L V6 F/I	33-2848 ♦	HP-7001
VXR8	6.0L V8 F/I	33-2919		Zafira MK2	1.6L L4 F/I	33-2787	
VXR8	6.2L V8 F/I	33-2919		Zafira MK2	1.8L L4 F/I	33-2787 ♦	
Zafira MK2	1.6L L4 F/I	33-2787		Zafira MK2	1.9L L4 DSL	33-2213	
Zafira MK2	1.8L L4 F/I	33-2787 ♦		Zafira MK2	2.0L L4 F/I	33-2787 ♦	
Zafira MK2	1.9L L4 DSL	33-2213		Zafira MK2	2.2L L4 F/I	33-2213 ♦	HP-7000
Zafira MK2	2.0L L4 F/I	33-2787 ♦		<b>2005 VAUXHALL</b>			
Zafira MK2	2.2L L4 F/I	33-2213 ♦	HP-7000	Agila	1.0L L3 F/I	33-2242	
<b>2006 VAUXHALL</b>				Agila	1.2L L4 F/I	33-2242 ♦	
Agila	1.0L L3 F/I	33-2242		Astra Mk4	2.2L L4 F/I	33-2213 ♦	HP-7000
Agila	1.2L L4 F/I	33-2242 ♦		Astra MK5	1.3L L4 DSL	33-2787	
Astra MK5	1.3L L4 DSL	33-2787		Astra MK5	1.4L L4 F/I	33-2787 ♦	
Astra MK5	1.4L L4 F/I	33-2787 ♦		Astra MK5	1.6L L4 F/I	33-2787 ♦	
Astra MK5	1.6L L4 F/I	33-2787 ♦		Astra MK5	1.7L L4 DSL	33-2787 ♦	
Astra MK5	1.7L L4 DSL	33-2787 ♦		Astra MK5	1.8L L4 F/I	33-2787 ♦	
Astra MK5	1.8L L4 F/I	33-2787 ♦		Astra MK5	1.9L L4 DSL	33-2213 ♦	
Astra MK5	1.9L L4 DSL	33-2213 ♦		Astra MK5	2.0L L4 F/I	33-2787 ♦	
Astra MK5	2.0L L4 F/I	33-2787 ♦		Combo	1.3L L4 DSL	33-2212	
Combo	1.3L L4 DSL	33-2212		Combo	1.4L L4 F/I	33-2212	
Combo	1.4L L4 F/I	33-2212		Combo	1.6L L4 F/I	33-2212	
Combo	1.6L L4 F/I	33-2212		Combo	1.7L L4 DSL	33-2212	
Combo	1.7L L4 DSL	33-2212		Corsa MK2	1.0L L3 F/I	33-2212 ♦	
Corsa MK2	1.0L L3 F/I	33-2212 ♦		Corsa MK2	1.2L L4 F/I	33-2212 ♦	
Corsa MK2	1.2L L4 F/I	33-2212 ♦		Corsa MK2	1.3L L4 DSL	33-2212 ♦	
Corsa MK2	1.3L L4 DSL	33-2212 ♦		Corsa MK2	1.4L L4 F/I	33-2212 ♦	
Corsa MK2	1.4L L4 F/I	33-2212 ♦		Corsa MK2	1.7L L4 DSL	33-2212 ♦	
Corsa MK2	1.7L L4 DSL	33-2212 ♦		Corsa MK2	1.8L L4 F/I	33-2212 ♦	HP-7001
Corsa MK2	1.8L L4 F/I	33-2212 ♦	HP-7001	Meriva	1.3L L4 DSL	33-2212	
Corsa MK3	1.0L L4 F/I	33-2935		Meriva	1.4L L4 F/I	33-2212	
Corsa MK3	1.2L L4 F/I	33-2935 ♦		Meriva	1.6L L4 F/I	33-2212 ♦	
Corsa MK3	1.3L L4 DSL	33-2935		Meriva	1.7L L4 DSL	33-2212 ♦	
Corsa MK3	1.4L L4 F/I	33-2935 ♦		Meriva	1.8L L4 F/I	33-2212	
Corsa MK3	1.7L L4 DSL	33-2935		Monaro	5.7L V8 F/I	33-2116	
Meriva	1.3L L4 DSL	33-2212		Movano	1.9L L4 DSL	33-2884	
Meriva	1.4L L4 F/I	33-2212		Movano	2.2L L4 DSL	33-2892	
Meriva	1.6L L4 F/I	33-2212 ♦		Movano	2.5L L4 DSL	33-2892	
Meriva	1.7L L4 DSL	33-2212 ♦		Movano	3.0L V6 DSL	33-2891	
Meriva	1.8L L4 F/I	33-2212		Signum	1.8L L4 F/I	33-2848	
Movano	1.9L L4 DSL	33-2884		Signum	1.9L L4 DSL	33-2848	

\*Indicates 2 filters required

♦ - Intake kit available

Applications updated daily at [knfilters.com](http://knfilters.com) ®

# AIR & OIL FILTERS

# VAUXHALL

Vehicle	Engine Type	Air Filter	Oil Filter	Vehicle	Engine Type	Air Filter	Oil Filter
<b>2005 VAUXHALL</b>				<b>2004 VAUXHALL</b>			
Signum	2.0L L4 DSL	33-2848		Frontera	2.2L L4 F/I	33-2108	
Signum	2.0L L4 F/I	33-2848 ♦	HP-7000	Frontera	3.2L V6 F/I	33-2108 ♦	
Signum	2.2L L4 DSL	33-2848		Meriva	1.3L L4 DSL	33-2212	
Signum	2.2L L4 F/I	33-2848 ♦	HP-7000	Meriva	1.4L L4 F/I	33-2212	
Signum	2.8L V6 F/I	33-2337		Meriva	1.6L L4 F/I	33-2212 ♦	
Signum	3.0L V6 DSL	33-2848		Meriva	1.7L L4 DSL	33-2212 ♦	
Signum	3.2L V6 F/I	33-2848	HP-7001	Meriva	1.8L L4 F/I	33-2212	
Tigra	1.3L L4 DSL	33-2212 ♦		Monaro	5.7L V8 F/I	33-2116	
Tigra	1.4L L4 F/I	33-2212 ♦		Movano	1.9L L4 DSL	33-2884	
Tigra	1.8L L4 F/I	33-2212 ♦		Movano	2.2L L4 DSL	33-2892	
Vectra MK2	1.6L L4 F/I	33-2848		Movano	2.5L L4 DSL	33-2892	
Vectra MK2	1.8L L4 F/I	33-2848 ♦		Movano	3.0L V6 DSL	33-2891	
Vectra MK2	1.9L L4 DSL	33-2848 ♦		Signum	1.8L L4 F/I	33-2848	
Vectra MK2	2.0L L4 DSL	33-2848 ♦		Signum	1.9L L4 DSL	33-2848	
Vectra MK2	2.0L L4 F/I	33-2848 ♦		Signum	2.0L L4 DSL	33-2848	
Vectra MK2	2.2L L4 DSL	33-2848 ♦		Signum	2.0L L4 F/I	33-2848 ♦	HP-7000
Vectra MK2	2.2L L4 F/I	33-2848 ♦	HP-7000	Signum	2.2L L4 DSL	33-2848	
Vectra MK2	2.8L V6 F/I	33-2337		Signum	2.2L L4 F/I	33-2848 ♦	HP-7000
Vectra MK2	3.0L V6 DSL	33-2848		Signum	3.0L V6 DSL	33-2848	
Vectra MK2	3.2L V6 F/I	33-2848 ♦	HP-7001	Signum	3.2L V6 F/I	33-2848	HP-7001
Vivaro	1.9L L4 DSL	33-2215		Tigra	1.3L L4 DSL	33-2212 ♦	
Vivaro	2.0L L4 F/I	33-2194		Tigra	1.4L L4 F/I	33-2212 ♦	
VX220	2.0L L4 F/I	33-2208		Tigra	1.8L L4 F/I	33-2212 ♦	
VX220	2.2L L4 F/I	33-2750 ♦		Vectra MK2	1.6L L4 F/I	33-2848	
Zafira	1.6L L4 F/I	33-2787 ♦		Vectra MK2	1.8L L4 F/I	33-2848 ♦	
Zafira	1.8L L4 F/I	33-2787 ♦	HP-7001	Vectra MK2	1.9L L4 DSL	33-2848 ♦	
Zafira	2.0L L4 DSL	33-2208 ♦		Vectra MK2	2.0L L4 DSL	33-2848 ♦	
Zafira	2.0L L4 F/I	33-2787 ♦		Vectra MK2	2.0L L4 F/I	33-2848 ♦	
Zafira	2.2L L4 DSL	33-2208		Vectra MK2	2.2L L4 DSL	33-2848 ♦	
Zafira	2.2L L4 F/I	33-2213	HP-7000	Vectra MK2	2.2L L4 F/I	33-2848 ♦	HP-7000
Zafira MK2	1.6L L4 F/I	33-2787		Vectra MK2	3.0L V6 DSL	33-2848	
Zafira MK2	1.8L L4 F/I	33-2787 ♦		Vectra MK2	3.2L V6 F/I	33-2848 ♦	HP-7001
Zafira MK2	1.9L L4 DSL	33-2213		Vivaro	1.9L L4 DSL	33-2215	
Zafira MK2	2.0L L4 F/I	33-2787		Vivaro	2.0L L4 F/I	33-2194	
Zafira MK2	2.2L L4 F/I	33-2213	HP-7000	VX220	2.0L L4 F/I	33-2208	
<b>2004 VAUXHALL</b>				<b>2003 VAUXHALL</b>			
Agila	1.0L L3 F/I	33-2242		Agila	1.0L L3 F/I	33-2242	
Agila	1.2L L4 F/I	33-2242 ♦		Agila	1.2L L4 F/I	33-2242 ♦	
Astra Mk4	1.2L L4 F/I	33-2787		Astra Mk4	1.2L L4 F/I	33-2787	
Astra Mk4	1.4L L4 F/I	33-2787 ♦		Astra Mk4	1.4L L4 F/I	33-2787 ♦	
Astra Mk4	1.6L L4 F/I	33-2787 ♦		Astra Mk4	1.6L L4 F/I	33-2787 ♦	
Astra Mk4	1.7L L4 DSL	33-2787 ♦		Astra Mk4	1.7L L4 DSL	33-2787 ♦	
Astra Mk4	1.8L L4 F/I	33-2787 ♦	HP-7001	Astra Mk4	1.8L L4 F/I	33-2787 ♦	HP-7001
Astra Mk4	2.0L L4 DSL	33-2787 ♦		Astra Mk4	2.0L L4 DSL	33-2787 ♦	
Astra Mk4	2.0L L4 F/I	33-2787 ♦		Astra Mk4	2.0L L4 F/I	33-2787 ♦	
Astra Mk4	2.0L L4 F/I - Turbo	33-2208 ♦		Astra Mk4	2.0L L4 F/I - Turbo	33-2208 ♦	
Astra Mk4	2.2L L4 F/I	33-2213 ♦	HP-7000	Astra Mk4	2.2L L4 F/I	33-2213 ♦	HP-7000
Astra MK5	1.4L L4 F/I	33-2787 ♦		Combo	1.6L L4 F/I	33-2212	
Astra MK5	1.6L L4 F/I	33-2787 ♦		Combo	1.7L L4 DSL	33-2212	
Astra MK5	1.7L L4 DSL	33-2787 ♦		Corsa MK2	1.0L L3 F/I	33-2212 ♦	
Astra MK5	1.8L L4 F/I	33-2787 ♦		Corsa MK2	1.2L L4 F/I	33-2212 ♦	
Astra MK5	1.9L L4 DSL	33-2213 ♦		Corsa MK2	1.4L L4 F/I	33-2212 ♦	
Astra MK5	2.0L L4 F/I	33-2787 ♦		Corsa MK2	1.7L L4 DSL	33-2212 ♦	
Combo	1.4L L4 F/I	33-2212		Corsa MK2	1.8L L4 F/I	33-2212 ♦	HP-7001
Combo	1.6L L4 F/I	33-2212		Frontera	2.2L L4 DSL	33-2108	
Combo	1.7L L4 DSL	33-2212		Frontera	2.2L L4 F/I	33-2108	
Corsa MK2	1.0L L3 F/I	33-2212 ♦					
Corsa MK2	1.2L L4 F/I	33-2212 ♦					
Corsa MK2	1.3L L4 DSL	33-2212 ♦					
Corsa MK2	1.4L L4 F/I	33-2212 ♦					
Corsa MK2	1.7L L4 DSL	33-2212 ♦					
Corsa MK2	1.8L L4 F/I	33-2212 ♦	HP-7001				

\*Indicates 2 filters required    ♦ - Intake kit available    Applications updated daily at [knfilters.com](http://knfilters.com) ®

Partial Listing - Complete List of Vehicles and Applications at [knfilters.com](http://knfilters.com)

# VAUXHALL

# AIR & OIL FILTERS

Vehicle	Engine Type	Air Filter	Oil Filter	Vehicle	Engine Type	Air Filter	Oil Filter
<b>2003 VAUXHALL</b>				<b>2002 VAUXHALL</b>			
Frontera	3.2L V6 F/I	33-2108 ♦		Frontera	3.2L V6 F/I	33-2108 ♦	
Meriva	1.3L L4 DSL	33-2212		Movano	1.9L L4 DSL	33-2215	
Meriva	1.6L L4 F/I	33-2212 ♦		Movano	2.2L L4 DSL	33-2884	
Meriva	1.7L L4 DSL	33-2212 ♦		Movano	2.5L L4 DSL	33-2884	
Meriva	1.8L L4 F/I	33-2212		Omega	2.2L L4 DSL	33-2734	
Movano	1.9L L4 DSL - from 11/03	33-2884		Omega	2.2L L4 F/I	33-2734	
Movano	1.9L L4 DSL - to 10/03	33-2215		Omega	2.5L L6 DSL	33-2734	
Movano	2.2L L4 DSL - from 11/03	33-2892		Omega	2.6L V6 F/I	33-2734	HP-7001
Movano	2.2L L4 DSL - to 10/03	33-2884		Omega	3.2L V6 F/I	33-2734	HP-7001
Movano	2.5L L4 DSL - from 11/03	33-2892		Vectra MK1	1.6L L4 F/I	33-2750 ♦	
Movano	2.5L L4 DSL - to 10/03	33-2884		Vectra MK1	1.8L L4 F/I	33-2750 ♦	HP-7001
Movano	3.0L V6 DSL	33-2891		Vectra MK1	2.0L L4 DSL	33-2771	
Omega	2.2L L4 DSL	33-2734		Vectra MK1	2.2L L4 DSL	33-2771 ♦	
Omega	2.2L L4 F/I	33-2734		Vectra MK1	2.2L L4 F/I	33-2771 ♦	HP-7000
Omega	2.5L L6 DSL	33-2734		Vectra MK1	2.6L V6 F/I	33-2750 ♦	HP-7001
Omega	2.6L V6 F/I	33-2734	HP-7001	Vectra MK2	1.8L L4 F/I	33-2848 ♦	
Omega	3.2L V6 F/I	33-2734	HP-7001	Vectra MK2	2.0L L4 DSL	33-2848 ♦	
Signum	1.8L L4 F/I	33-2848		Vectra MK2	2.2L L4 DSL	33-2848 ♦	
Signum	2.0L L4 DSL	33-2848		Vectra MK2	2.2L L4 F/I	33-2848 ♦	HP-7000
Signum	2.0L L4 F/I	33-2848 ♦	HP-7000	Vectra MK2	3.2L V6 F/I	33-2848 ♦	HP-7001
Signum	2.2L L4 DSL	33-2848		Vivaro	1.9L L4 DSL	33-2215	
Signum	2.2L L4 F/I	33-2848 ♦	HP-7000	Vivaro	2.0L L4 F/I	33-2194	
Signum	3.0L V6 DSL	33-2848		VX220	2.0L L4 F/I	33-2208	
Signum	3.2L V6 F/I	33-2848	HP-7001	VX220	2.2L L4 F/I	33-2750 ♦	
Vectra MK2	1.8L L4 F/I	33-2848 ♦		Zafira	1.6L L4 F/I	33-2787 ♦	
Vectra MK2	2.0L L4 DSL	33-2848 ♦		Zafira	1.8L L4 F/I	33-2787 ♦	HP-7001
Vectra MK2	2.0L L4 F/I	33-2848 ♦		Zafira	2.0L L4 DSL	33-2208 ♦	
Vectra MK2	2.2L L4 DSL	33-2848 ♦		Zafira	2.0L L4 F/I	33-2787 ♦	
Vectra MK2	2.2L L4 F/I	33-2848 ♦	HP-7000	Zafira	2.2L L4 DSL	33-2208	
Vectra MK2	3.0L V6 DSL	33-2848		Zafira	2.2L L4 F/I	33-2213	HP-7000
Vectra MK2	3.2L V6 F/I	33-2848 ♦	HP-7001	<b>2001 VAUXHALL</b>			
Vivaro	1.9L L4 DSL	33-2215		Agila	1.0L L3 F/I	33-2242	
Vivaro	2.0L L4 F/I	33-2194		Agila	1.2L L4 F/I	33-2242	
VX220	2.0L L4 F/I	33-2208		Astra Mk4	1.2L L4 F/I	33-2787	
VX220	2.2L L4 F/I	33-2750 ♦		Astra Mk4	1.4L L4 F/I	33-2787 ♦	
Zafira	1.6L L4 F/I	33-2787 ♦		Astra Mk4	1.6L L4 F/I	33-2787 ♦	
Zafira	1.8L L4 F/I	33-2787 ♦	HP-7001	Astra Mk4	1.7L L4 DSL	33-2787	
Zafira	2.0L L4 DSL	33-2208 ♦		Astra Mk4	1.8L L4 F/I	33-2787 ♦	HP-7001
Zafira	2.0L L4 F/I	33-2787 ♦		Astra Mk4	2.0L L4 DSL	33-2787 ♦	
Zafira	2.2L L4 DSL	33-2208		Astra Mk4	2.0L L4 F/I	33-2787 ♦	
Zafira	2.2L L4 F/I	33-2213	HP-7000	Astra Mk4	2.0L L4 F/I - Turbo	33-2208 ♦	
<b>2002 VAUXHALL</b>				Astra Mk4	2.2L L4 F/I	33-2213 ♦	HP-7000
Agila	1.0L L3 F/I	33-2242		Combo	1.2L L4 F/I	33-2098	
Agila	1.2L L4 F/I	33-2242 ♦		Combo	1.4L L4 F/I	33-2098	
Astra Mk4	1.2L L4 F/I	33-2787		Combo	1.6L L4 F/I	33-2212	
Astra Mk4	1.4L L4 F/I	33-2787 ♦		Combo	1.7L L4 DSL - 16v	33-2212	
Astra Mk4	1.6L L4 F/I	33-2787 ♦		Combo	1.7L L4 DSL - 8v	33-2098	
Astra Mk4	1.7L L4 DSL	33-2787		Corsa MK2	1.0L L3 F/I	33-2212 ♦	
Astra Mk4	1.8L L4 F/I	33-2787 ♦	HP-7001	Corsa MK2	1.2L L4 F/I	33-2212 ♦	
Astra Mk4	2.0L L4 DSL	33-2787 ♦		Corsa MK2	1.4L L4 F/I	33-2212 ♦	
Astra Mk4	2.0L L4 F/I	33-2787 ♦		Corsa MK2	1.7L L4 DSL	33-2212	
Astra Mk4	2.0L L4 F/I - Turbo	33-2208 ♦		Corsa MK2	1.8L L4 F/I	33-2212 ♦	HP-7001
Astra Mk4	2.2L L4 F/I	33-2213 ♦	HP-7000	Frontera	2.2L L4 DSL	33-2108	
Combo	1.6L L4 F/I	33-2212		Frontera	2.2L L4 F/I	33-2108	
Combo	1.7L L4 DSL	33-2212		Frontera	3.2L V6 F/I	33-2108 ♦	
Corsa MK2	1.0L L3 F/I	33-2212 ♦		Movano	1.9L L4 DSL	33-2215	
Corsa MK2	1.2L L4 F/I	33-2212 ♦		Movano	2.2L L4 DSL	33-2884	
Corsa MK2	1.4L L4 F/I	33-2212 ♦		Movano	2.5L L4 DSL	33-2884	
Corsa MK2	1.7L L4 DSL	33-2212		Movano	2.8L L4 DSL	33-2884	
Corsa MK2	1.8L L4 F/I	33-2212 ♦	HP-7001	Omega	2.2L L4 DSL	33-2734	
Frontera	2.2L L4 DSL	33-2108		Omega	2.2L L4 F/I	33-2734	
Frontera	2.2L L4 F/I	33-2108		Omega	2.5L L6 DSL	33-2734	
				Omega	2.6L V6 F/I	33-2734	HP-7001

\*Indicates 2 filters required

♦ - Intake kit available

Applications updated daily at [knfilters.com](http://knfilters.com) ®

# AIR & OIL FILTERS

# VAUXHALL

Vehicle	Engine Type	Air Filter	Oil Filter	Vehicle	Engine Type	Air Filter	Oil Filter
<b>2001 VAUXHALL</b>				<b>2000 VAUXHALL</b>			
Omega	3.0L V6 F/I	33-2734	HP-7001	Vectra MK1	2.0L L4 F/I	33-2750 ♦	
Omega	3.2L V6 F/I	33-2734	HP-7001	Vectra MK1	2.2L L4 DSL	33-2771 ♦	
Vectra MK1	1.6L L4 F/I	33-2750 ♦		Vectra MK1	2.2L L4 F/I	33-2771 ♦	HP-7000
Vectra MK1	1.8L L4 F/I	33-2750 ♦	HP-7001	Vectra MK1	2.5L V6 F/I	33-2750 ♦	HP-7001
Vectra MK1	2.0L L4 DSL	33-2771		Vectra MK1	2.6L V6 F/I	33-2750 ♦	HP-7001
Vectra MK1	2.2L L4 DSL	33-2771 ♦		VX220	2.2L L4 F/I	33-2750 ♦	
Vectra MK1	2.2L L4 F/I	33-2771 ♦	HP-7000	Zafira	1.6L L4 F/I	33-2787 ♦	
Vectra MK1	2.6L V6 F/I	33-2750 ♦	HP-7001	Zafira	1.8L L4 F/I	33-2787 ♦	HP-7001
Vivaro	1.9L L4 DSL	33-2215		Zafira	2.0L L4 DSL	33-2208 ♦	
Vivaro	2.0L L4 F/I	33-2194		Zafira	2.2L L4 F/I	33-2213	HP-7000
VX220	2.2L L4 F/I	33-2750 ♦		<b>1999 VAUXHALL</b>			
Zafira	1.6L L4 F/I	33-2787 ♦		Astra Mk3	1.6L L4 F/I	33-2653-2	
Zafira	1.8L L4 F/I	33-2787 ♦	HP-7001	Astra Mk4	1.2L L4 F/I	33-2787	
Zafira	2.0L L4 DSL	33-2208 ♦		Astra Mk4	1.4L L4 F/I	33-2787 ♦	
Zafira	2.0L L4 F/I	33-2787 ♦		Astra Mk4	1.6L L4 F/I	33-2787 ♦	
Zafira	2.2L L4 DSL	33-2208		Astra Mk4	1.7L L4 DSL	33-2787	
Zafira	2.2L L4 F/I	33-2213	HP-7000	Astra Mk4	1.8L L4 F/I	33-2787 ♦	HP-7001
<b>2000 VAUXHALL</b>				Astra Mk4	2.0L L4 DSL	33-2787 ♦	
Agila	1.0L L3 F/I	33-2242		Astra Mk4	2.0L L4 F/I	33-2787 ♦	
Agila	1.2L L4 F/I	33-2242		Combo	1.2L L4 F/I	33-2098	
Astra Mk4	1.2L L4 F/I	33-2787		Combo	1.4L L4 F/I	33-2098	
Astra Mk4	1.4L L4 F/I	33-2787 ♦		Combo	1.7L L4 DSL	33-2098	
Astra Mk4	1.6L L4 F/I	33-2787 ♦		Corsa MK1	1.0L L3 F/I	33-2098 ♦	
Astra Mk4	1.7L L4 DSL	33-2787		Corsa MK1	1.2L L4 F/I	33-2098 ♦	
Astra Mk4	1.8L L4 F/I	33-2787 ♦	HP-7001	Corsa MK1	1.4L L4 F/I	33-2098 ♦	
Astra Mk4	2.0L L4 DSL	33-2787 ♦		Corsa MK1	1.5L L4 DSL	33-2098	
Astra Mk4	2.0L L4 F/I	33-2787 ♦		Corsa MK1	1.6L L4 F/I	33-2098 ♦	
Astra Mk4	2.0L L4 F/I - Turbo	33-2208 ♦		Corsa MK1	1.7L L4 DSL	33-2098	
Astra Mk4	2.2L L4 F/I	33-2213 ♦	HP-7000	Corsa MK1	2.2L L4 DSL	33-2108	
Combo	1.2L L4 F/I	33-2098		Frontera	2.2L L4 F/I	33-2108	
Combo	1.4L L4 F/I	33-2098		Frontera	3.2L V6 F/I	33-2108 ♦	
Combo	1.7L L4 DSL	33-2098		Monterey	3.5L V6 F/I	33-2064	
Corsa MK1	1.0L L3 F/I	33-2098 ♦		Movano	2.5L L4 DSL	33-2884	
Corsa MK1	1.2L L4 F/I	33-2098 ♦		Movano	2.8L L4 DSL	33-2884	
Corsa MK1	1.4L L4 F/I	33-2098 ♦		Omega	2.0L L4 DSL	33-2734	
Corsa MK1	1.5L L4 DSL	33-2098		Omega	2.0L L4 F/I	33-2734	
Corsa MK1	1.6L L4 F/I	33-2098 ♦		Omega	2.2L L4 F/I	33-2734	
Corsa MK1	1.7L L4 DSL	33-2098		Omega	2.5L L6 DSL	33-2734	
Corsa MK2	1.0L L3 F/I	33-2212 ♦		Omega	2.5L V6 F/I	33-2734	HP-7001
Corsa MK2	1.2L L4 F/I	33-2212 ♦		Omega	3.0L V6 F/I	33-2734	HP-7001
Corsa MK2	1.4L L4 F/I	33-2212 ♦		Sintra	2.2L L4 DSL	33-2063-1	
Corsa MK2	1.7L L4 DSL	33-2212		Sintra	2.2L L4 F/I	33-2063-1	
Corsa MK2	1.8L L4 F/I	33-2212 ♦	HP-7001	Sintra	3.0L V6 F/I	33-2063-1	HP-7001
Frontera	2.2L L4 DSL	33-2108		Tigra	1.4L L4 F/I	33-2098 ♦	
Frontera	2.2L L4 F/I	33-2108		Tigra	1.6L L4 F/I	33-2098 ♦	
Frontera	3.2L V6 F/I	33-2108 ♦		Vectra MK1	1.6L L4 F/I	33-2750 ♦	
Movano	1.9L L4 DSL	33-2215		Vectra MK1	1.8L L4 F/I	33-2750 ♦	
Movano	2.2L L4 DSL	33-2884		Vectra MK1	2.0L L4 DSL	33-2771 ♦	
Movano	2.5L L4 DSL	33-2884		Vectra MK1	2.0L L4 F/I	33-2750 ♦	
Movano	2.8L L4 DSL	33-2884		Vectra MK1	2.5L V6 F/I	33-2750 ♦	HP-7001
Omega	2.0L L4 DSL	33-2734		Zafira	1.6L L4 F/I	33-2787 ♦	
Omega	2.0L L4 F/I	33-2734		Zafira	1.8L L4 F/I	33-2787 ♦	HP-7001
Omega	2.2L L4 DSL	33-2734		Zafira	2.0L L4 DSL	33-2208 ♦	
Omega	2.2L L4 F/I	33-2734		<b>1998 VAUXHALL</b>			
Omega	2.5L L6 DSL	33-2734		Astra Mk3	1.4L L4 F/I - Exc., 90BHP	33-2653-2 ♦	
Omega	2.5L V6 F/I	33-2734	HP-7001	Astra Mk3	1.6L L4 F/I	33-2653-2 ♦	
Omega	2.6L V6 F/I	33-2734	HP-7001	Astra Mk3	1.7L L4 DSL	33-2653-2	
Omega	3.0L V6 F/I	33-2734	HP-7001	Astra Mk3	1.8L L4 F/I	33-2653-2 ♦	
Tigra	1.4L L4 F/I	33-2098 ♦		Astra Mk3	2.0L L4 F/I	33-2653-2 ♦	
Tigra	1.6L L4 F/I	33-2098 ♦		Astra Mk4	1.2L L4 F/I	33-2787	
Vectra MK1	1.6L L4 F/I	33-2750 ♦		Astra Mk4	1.4L L4 F/I	33-2787 ♦	
Vectra MK1	1.8L L4 F/I	33-2750 ♦	HP-7001	Astra Mk4	1.6L L4 F/I	33-2787 ♦	
Vectra MK1	2.0L L4 DSL	33-2771 ♦					

\*Indicates 2 filters required      ♦ - Intake kit available      Applications updated daily at [knfilters.com](http://knfilters.com) ®

**Partial Listing - Complete List of Vehicles and Applications at [knfilters.com](http://knfilters.com)**

# VAUXHALL

# AIR & OIL FILTERS

Vehicle	Engine Type	Air Filter	Oil Filter	Vehicle	Engine Type	Air Filter	Oil Filter
<b>1998 VAUXHALL</b>				<b>1997 VAUXHALL</b>			
Astra Mk4	1.7L L4 DSL	33-2787		Omega	2.5L L6 DSL	33-2734	
Astra Mk4	1.8L L4 F/I	33-2787 ♦	HP-7001	Omega	2.5L V6 F/I	33-2734	HP-7001
Astra Mk4	2.0L L4 DSL	33-2787 ♦		Omega	3.0L V6 F/I	33-2734	HP-7001
Astra Mk4	2.0L L4 F/I	33-2787 ♦		Sintra	2.2L L4 DSL	33-2063-1	
Combo	1.2L L4 F/I	33-2098		Sintra	2.2L L4 F/I	33-2063-1	
Combo	1.4L L4 F/I	33-2098		Tigra	1.4L L4 F/I	33-2098 ♦	
Combo	1.7L L4 DSL	33-2098		Tigra	1.6L L4 F/I	33-2098 ♦	
Corsa MK1	1.0L L3 F/I	33-2098 ♦		Vectra MK1	1.6L L4 F/I	33-2750 ♦	
Corsa MK1	1.2L L4 F/I	33-2098 ♦		Vectra MK1	1.8L L4 F/I	33-2750 ♦	
Corsa MK1	1.4L L4 F/I	33-2098 ♦		Vectra MK1	2.0L L4 DSL	33-2771 ♦	
Corsa MK1	1.5L L4 DSL	33-2098		Vectra MK1	2.0L L4 F/I	33-2750 ♦	
Corsa MK1	1.6L L4 F/I	33-2098 ♦		Vectra MK1	2.5L V6 F/I	33-2750 ♦	HP-7001
Corsa MK1	1.7L L4 DSL	33-2098		<b>1996 VAUXHALL</b>			
Frontera	2.0L L4 F/I	33-2013 ♦		Astra Mk3	1.4L L4 F/I	33-2653-2 ♦	
Frontera	2.2L L4 DSL	33-2108		Astra Mk3	1.6L L4 F/I	33-2653-2 ♦	
Frontera	2.2L L4 F/I - from 10/98	33-2108		Astra Mk3	1.7L L4 DSL	33-2653-2	
Frontera	2.2L L4 F/I - to 9/98	33-2013		Astra Mk3	1.8L L4 F/I	33-2653-2 ♦	
Frontera	2.3L L4 DSL	33-2013		Astra Mk3	2.0L L4 F/I	33-2653-2 ♦	
Frontera	2.4L L4 F/I	33-2013		Calibra	2.0L L4 F/I	33-2080 ♦	
Frontera	2.5L L4 DSL	33-2013		Calibra	2.5L V6 F/I	33-2080 ♦	
Frontera	2.8L L4 DSL	33-2013		Combo	1.4L L4 F/I	33-2098	
Frontera	3.2L V6 F/I	33-2108 ♦		Combo	1.7L L4 DSL	33-2098	
Monterey	3.1L V6 DSL	38-9154		Corsa MK1	1.0L L3 F/I	33-2098 ♦	
Monterey	3.2L V6 F/I	33-2064		Corsa MK1	1.2L L4 F/I	33-2098 ♦	
Monterey	3.5L V6 F/I	33-2064		Corsa MK1	1.4L L4 F/I	33-2098 ♦	
Movano	2.5L L4 DSL	33-2884		Corsa MK1	1.5L L4 DSL	33-2098	
Movano	2.8L L4 DSL	33-2884		Corsa MK1	1.6L L4 F/I	33-2098 ♦	
Omega	2.0L L4 DSL	33-2734		Corsa MK1	1.7L L4 DSL	33-2098	
Omega	2.0L L4 F/I	33-2734		Frontera	2.0L L4 F/I	33-2013 ♦	
Omega	2.5L L6 DSL	33-2734		Frontera	2.4L L4 F/I	33-2013	
Omega	2.5L V6 F/I	33-2734	HP-7001	Frontera	2.8L L4 DSL	33-2013	
Omega	3.0L V6 F/I	33-2734	HP-7001	Monterey	3.1L V6 DSL	38-9154	
Sintra	2.2L L4 DSL	33-2063-1		Monterey	3.2L V6 F/I	33-2064	
Sintra	2.2L L4 F/I	33-2063-1		Omega	2.0L L4 F/I	33-2734	
Sintra	3.0L V6 F/I	33-2063-1	HP-7001	Omega	2.5L L6 DSL	33-2734	
Tigra	1.4L L4 F/I	33-2098 ♦		Omega	2.5L V6 F/I	33-2734	HP-7001
Tigra	1.6L L4 F/I	33-2098 ♦		Omega	3.0L V6 F/I	33-2734	HP-7001
Vectra MK1	1.6L L4 F/I	33-2750 ♦		Tigra	1.4L L4 F/I	33-2098 ♦	
Vectra MK1	1.8L L4 F/I	33-2750 ♦		Tigra	1.6L L4 F/I	33-2098 ♦	
Vectra MK1	2.0L L4 DSL	33-2771 ♦		Vectra MK1	1.6L L4 F/I	33-2750 ♦	
Vectra MK1	2.0L L4 F/I	33-2750 ♦		Vectra MK1	1.7L L4 DSL	33-2770	
Vectra MK1	2.5L V6 F/I	33-2750 ♦	HP-7001	Vectra MK1	1.8L L4 F/I	33-2750 ♦	
<b>1997 VAUXHALL</b>				Vectra MK1	2.0L L4 DSL	33-2771	
Astra Mk3	1.4L L4 F/I	33-2653-2 ♦		Vectra MK1	2.0L L4 F/I	33-2750 ♦	
Astra Mk3	1.6L L4 F/I	33-2653-2 ♦		Vectra MK1	2.5L V6 F/I	33-2750 ♦	HP-7001
Astra Mk3	1.7L L4 DSL	33-2653-2		<b>1995 VAUXHALL</b>			
Astra Mk3	1.8L L4 F/I	33-2653-2 ♦		Astra Mk3	1.4L L4 F/I	33-2653-2 ♦	
Astra Mk3	2.0L L4 F/I	33-2653-2 ♦		Astra Mk3	1.6L L4 F/I	33-2653-2 ♦	
Calibra	2.0L L4 F/I	33-2080 ♦		Astra Mk3	1.7L L4 DSL	33-2653-2	
Calibra	2.5L V6 F/I	33-2080 ♦		Astra Mk3	1.8L L4 F/I	33-2653-2 ♦	
Combo	1.7L L4 DSL	33-2098		Astra Mk3	2.0L L4 F/I	33-2653-2 ♦	
Corsa MK1	1.0L L3 F/I	33-2098 ♦		Calibra	2.0L L4 F/I	33-2080 ♦	
Corsa MK1	1.2L L4 F/I	33-2098 ♦		Calibra	2.5L V6 F/I	33-2080 ♦	
Corsa MK1	1.4L L4 F/I	33-2098 ♦		Cavalier MK3	1.7L L4 DSL - Exc., Turbo	33-2080	
Corsa MK1	1.5L L4 DSL	33-2098		Cavalier MK3	1.7L L4 DSL - Turbo	33-2098	
Corsa MK1	1.6L L4 F/I	33-2098 ♦		Cavalier MK3	1.8L L4 F/I	33-2080 ♦	
Corsa MK1	1.7L L4 DSL	33-2098		Cavalier MK3	2.0L L4 F/I	33-2080 ♦	
Frontera	2.0L L4 F/I	33-2013 ♦		Cavalier MK3	2.5L V6 F/I	33-2080 ♦	
Frontera	2.2L L4 F/I	33-2013		Combo	1.7L L4 DSL	33-2098	
Frontera	2.5L L4 DSL	33-2013		Corsa MK1	1.2L L4 F/I	33-2098 ♦	
Monterey	3.1L V6 DSL	38-9154		Corsa MK1	1.4L L4 F/I	33-2098 ♦	
Monterey	3.2L V6 F/I	33-2064		Corsa MK1	1.5L L4 DSL	33-2098	
Omega	2.0L L4 F/I	33-2734					

\*Indicates 2 filters required

♦ - Intake kit available

Applications updated daily at [knfilters.com](http://knfilters.com) ®



# AIR & OIL FILTERS

# VAUXHALL

Vehicle	Engine Type	Air Filter	Oil Filter
<b>1995 VAUXHALL</b>			
Corsa MK1	1.6L L4 F/I	33-2098 ♦	
Corsa MK1	1.7L L4 DSL	33-2098	
Frontera	2.0L L4 F/I	33-2013 ♦	
Monterey	3.2L V6 F/I	33-2064	
Omega	2.5L L6 DSL	33-2734	
Omega	2.5L V6 F/I	33-2734	HP-7001
Omega	3.0L V6 F/I	33-2734	HP-7001
Tigra	1.4L L4 F/I	33-2098 ♦	
Tigra	1.6L L4 F/I	33-2098 ♦	
Vectra MK1	1.8L L4 F/I	33-2750 ♦	
Vectra MK1	2.0L L4 F/I	33-2750 ♦	

Vehicle	Engine Type	Air Filter	Oil Filter
<b>1994 VAUXHALL</b>			
Astra Mk3	1.4L L4 F/I	33-2653-2 ♦	
Astra Mk3	1.7L L4 DSL - 82BHP	33-2031-2	
Astra Mk3	1.7L L4 DSL - Exc., 82BHP	33-2653-2	
Astra Mk3	1.8L L4 F/I	33-2653-2 ♦	
Astra Mk3	2.0L L4 F/I	33-2653-2 ♦	
Calibra	2.0L L4 F/I	33-2080 ♦	
Carlton	3.0L L6 F/I	33-2013	
Cavalier MK3	1.6L L4 F/I	33-2080 ♦	
Cavalier MK3	1.7L L4 DSL - Exc., Turbo	33-2080	
Cavalier MK3	1.7L L4 DSL - Turbo	33-2098	
Cavalier MK3	1.8L L4 F/I	33-2080 ♦	
Cavalier MK3	2.0L L4 F/I	33-2080 ♦	
Cavalier MK3	2.5L V6 F/I	33-2080 ♦	
Corsa MK1	1.2L L4 F/I	33-2098 ♦	
Corsa MK1	1.4L L4 F/I	33-2098 ♦	
Corsa MK1	1.5L L4 DSL	33-2098	
Corsa MK1	1.6L L4 F/I	33-2098 ♦	
Frontera	2.0L L4 F/I	33-2013 ♦	
Monterey	3.1L V6 DSL	38-9154	
Nova	1.5L L4 DSL	33-2031-2	
Omega	3.0L V6 F/I	33-2734	HP-7001

Vehicle	Engine Type	Air Filter	Oil Filter
<b>1993 VAUXHALL</b>			
Astra Mk2	1.6L L4 F/I	E-1070	
Astra Mk3	1.4L L4 F/I	33-2653-2 ♦	
Astra Mk3	1.6L L4 F/I	33-2653-2 ♦	
Astra Mk3	1.7L L4 DSL - 82BHP	33-2031-2	
Astra Mk3	1.7L L4 DSL - Exc., 82BHP	33-2653-2	
Astra Mk3	2.0L L4 F/I	33-2653-2 ♦	
Calibra	2.0L L4 F/I	33-2080 ♦	
Carlton	2.0L L4 F/I	33-2013 ♦	
Carlton	3.0L L6 F/I	33-2013	
Cavalier MK3	1.7L L4 DSL - Exc., Turbo	33-2080	
Cavalier MK3	1.7L L4 DSL - Turbo	33-2098	
Cavalier MK3	1.8L L4 F/I	33-2080 ♦	
Cavalier MK3	2.0L L4 F/I	33-2080 ♦	
Cavalier MK3	2.5L V6 F/I	33-2080 ♦	
Corsa MK1	1.2L L4 F/I	33-2098 ♦	
Corsa MK1	1.4L L4 F/I	33-2098 ♦	
Nova	1.2L L4 CARB - 203mm ID	E-1070	
Nova	1.2L L4 F/I	E-1070	
Nova	1.4L L4 CARB	E-1070	
Nova	1.4L L4 F/I - 60BHP	E-1070 ♦	
Nova	1.4L L4 F/I - 82BHP	33-2547 ♦	
Nova	1.6L L4 F/I	33-2547 ♦	
Senator	3.0L L6 F/I - 204BHP	33-2013	
Senator	3.0L L6 F/I - Exc., 204BHP	33-2675	

Vehicle	Engine Type	Air Filter	Oil Filter
<b>1992 VAUXHALL</b>			
Astra Mk3	1.4L L4 F/I	33-2653-2 ♦	
Astra Mk3	2.0L L4 F/I	33-2653-2 ♦	
Calibra	2.0L L4 F/I	33-2080 ♦	
Carlton	3.0L L6 F/I	33-2013	
Carlton	3.6L L6 F/I	33-2013	
Cavalier MK3	1.6L L4 CARB	E-1070	
Cavalier MK3	1.6L L4 F/I	33-2080 ♦	
Cavalier MK3	1.8L L4 F/I	33-2080 ♦	
Cavalier MK3	2.0L L4 F/I	33-2080 ♦	
Nova	1.2L L4 CARB - 203mm ID	E-1070	
Nova	1.2L L4 F/I	E-1070	
Nova	1.4L L4 CARB	E-1070	
Nova	1.4L L4 F/I - 60BHP	E-1070 ♦	
Nova	1.4L L4 F/I - 82BHP	33-2547 ♦	
Nova	1.6L L4 F/I	33-2547 ♦	

Vehicle	Engine Type	Air Filter	Oil Filter
<b>1991 VAUXHALL</b>			
Astra Mk2	1.7L L4 DSL	33-2609	
Astra Mk2	1.8L L4 F/I	33-2097 ♦	
Astra Mk2	2.0L L4 F/I - 16v	33-2653-2 ♦	
Astra Mk2	2.0L L4 F/I - 8v	33-2095 ♦	
Astra Mk3	2.0L L4 F/I	33-2653-2 ♦	
Calibra	2.0L L4 F/I	33-2080 ♦	
Cavalier MK3	2.0L L4 F/I	33-2080 ♦	
Nova	1.0L L4 F/I	E-2585	
Nova	1.4L L4 CARB	E-1070	
Nova	1.4L L4 F/I - 60BHP	E-1070 ♦	
Nova	1.4L L4 F/I - 82BHP	33-2547 ♦	
Nova	1.6L L4 F/I	33-2547 ♦	

Vehicle	Engine Type	Air Filter	Oil Filter
<b>1990 VAUXHALL</b>			
Astra Mk2	1.7L L4 DSL	33-2609	
Astra Mk2	2.0L L4 F/I - 16v	33-2548-A ♦	
Astra Mk2	2.0L L4 F/I - 8v	33-2095 ♦	
Carlton	3.0L L6 F/I	33-2013 ♦	
Cavalier MK3	2.0L L4 F/I	33-2080 ♦	
Nova	1.2L L4 CARB - 203mm ID	E-1070	
Nova	1.2L L4 F/I	E-1070	
Nova	1.4L L4 CARB	E-1070	
Nova	1.4L L4 F/I - 60BHP	E-1070	
Nova	1.6L L4 F/I	33-2547 ♦	
Senator	3.0L L6 F/I - Exc., 204BHP	33-2675	

Vehicle	Engine Type	Air Filter	Oil Filter
<b>1989 VAUXHALL</b>			
Astra Mk2	2.0L L4 F/I - 16v	33-2548-A ♦	
Astra Mk2	2.0L L4 F/I - 8v	33-2095 ♦	
Nova	1.2L L4 CARB - 203mm ID	E-1070	
Nova	1.2L L4 F/I - from 10/89	E-1070	
Nova	1.2L L4 F/I - to 9/89	E-2585	
Nova	1.3L L4 CARB	E-1070	
Nova	1.3L L4 F/I	E-1070	
Nova	1.6L L4 F/I	33-2547 ♦	

Vehicle	Engine Type	Air Filter	Oil Filter
<b>1988 VAUXHALL</b>			
Cavalier MK3	2.0L L4 F/I	33-2080 ♦	
Nova	1.3L L4 CARB	E-1070	
Nova	1.3L L4 F/I	E-1070	

Vehicle	Engine Type	Air Filter	Oil Filter
<b>1983 VAUXHALL</b>			
Chevette	1.3L L4 CARB	33-2505	

Vehicle	Engine Type	Air Filter	Oil Filter
<b>1979 VAUXHALL</b>			
Chevette	1.3L L4 CARB	33-2505	

\*Indicates 2 filters required      ♦ - Intake kit available      Applications updated daily at [knfilters.com](http://knfilters.com) ®

Partial Listing - Complete List of Vehicles and Applications at [knfilters.com](http://knfilters.com)

# VAUXHALL

# AIR & OIL FILTERS

Vehicle	Engine Type	Air Filter	Oil Filter	Vehicle	Engine Type	Air Filter	Oil Filter
<b>1977 VAUXHALL</b>				<b>2008 VICTORY</b>			
Chevette	1.3L L4 CARB	33-2505		Kingpin Tour	1634	PL-1608	KN-198
<b>1975 VAUXHALL</b>				Ness Signature	1634		KN-198
Chevette	1.3L L4 CARB	33-2505		Series Jackpot			
<b>2011 VICTORY</b>				Vegas	1634	PL-1608	KN-198
Arlen Ness Victory	1731		KN-198	Vegas 8-Ball	1634	PL-1608	KN-198
Vision				Vegas Jackpot	1634	PL-1608	KN-198
Hammer	1731	PL-1608	KN-198	Vegas Low	1634	PL-1608	KN-198
Hammer 8 Ball	1731	PL-1608	KN-198	Victory Vision Street	1731		KN-198
Hammer S	1731	PL-1608	KN-198	Victory Vision Tour	1731		KN-198
Kingpin	1634	PL-1608	KN-198	<b>2007 VICTORY</b>			
Kingpin 8 Ball	1634	PL-1608	KN-198	Hammer	1634	PL-1500	KN-198
Vegas	1634	PL-1608	KN-198	Hammer S	1634	PL-1500	KN-198
Vegas 8-Ball	1731	PL-1608	KN-198	Kingpin	1634	PL-1500	KN-198
Vegas Jackpot	1731	PL-1608	KN-198	Kingpin Tour	1634	PL-1500	KN-198
Victory Vision Tour	1731		KN-198	Ness Signature	1634	PL-1500	KN-198
Vision 8-Ball	1731		KN-198	Series Jackpot			
Zach Ness Vegas	1731	PL-1608		Vegas	1634	PL-1500	KN-198
<b>2010 VICTORY</b>				Vegas 8-Ball	1634	PL-1500	KN-198
Arlen Ness Victory	1731		KN-198	Vegas Jackpot	1634	PL-1500	KN-198
Vision				<b>2006 VICTORY</b>			
Cory Ness Jackpot	1731	PL-1608	KN-198	Hammer	1634	PL-1500	KN-198
Cross Country	1731		KN-198	Kingpin	1634	PL-1500	KN-198
Cross Roads	1731		KN-198	Ness Signature	1634	PL-1500	KN-198
Hammer	1731	PL-1608	KN-198	Series Jackpot			
Hammer S	1731	PL-1608	KN-198	Touring Cruiser	1507	PL-1500	KN-198
Kingpin	1634	PL-1608	KN-198	Vegas	1634	PL-1500	KN-198
Kingpin 8 Ball	1634	PL-1608	KN-198	Vegas 8-Ball	1634	PL-1500	KN-198
Kingpin Low	1634	PL-1608		Vegas Jackpot	1634	PL-1500	KN-198
Kingpin Tour	1634	PL-1608		<b>2005 VICTORY</b>			
Vegas	1634	PL-1608	KN-198	Hammer	1634	PL-1500	KN-198
Vegas 8-Ball	1634	PL-1608	KN-198	Kingpin	1507	PL-1500	KN-198
Vegas Jackpot	1731	PL-1608	KN-198	Kingpin	1634		KN-198
Vegas Low	1634	PL-1608		Ness Signature	1507	PL-1500	KN-198
Victory Vision Tour	1731		KN-198	Series Kingpin			
Vision 8-Ball	1731		KN-198	Ness Signature	1507	PL-1500	KN-198
<b>2009 VICTORY</b>				Series Vegas			
10th Anniversary	1731		KN-198	Touring Cruiser	1508	PL-1500	KN-198
Victory Vision				Touring Cruiser	1508	PL-1500	KN-198
Arlen Ness Victory	1731		KN-198	Vegas	1507	PL-1500	KN-198
Vision				Vegas	1634		KN-198
Cory Ness Jackpot	1731	PL-1608	KN-198	Vegas 8-Ball	1507	PL-1500	KN-198
Hammer	1731	PL-1608	KN-198	<b>2004 VICTORY</b>			
Hammer S	1731	PL-1608	KN-198	Kingpin	1507	PL-1500	KN-198
Kingpin	1634	PL-1608	KN-198	Kingpin	1634		KN-198
Kingpin 8 Ball	1634	PL-1608	KN-198	Touring Cruiser	1508	PL-1500	KN-198
Kingpin Low	1634	PL-1608	KN-198	Touring Cruiser	1508	PL-1500	KN-198
Kingpin Tour	1634	PL-1608	KN-198	Vegas	1507	PL-1500	KN-198
Vegas	1634	PL-1608	KN-198	Vegas	1634		KN-198
Vegas 8-Ball	1634	PL-1608	KN-198	Vegas	1634		KN-198
Vegas Jackpot	1731	PL-1608	KN-198	<b>2003 VICTORY</b>			
Vegas Low	1634	PL-1608	KN-198	Classic Cruiser	1508	PL-1500	KN-198
Victory Vision Street	1731		KN-198	Kingpin	1634		KN-198
Victory Vision Street	1731		KN-198	Touring Cruiser	1508	PL-1500	KN-198
Premium				Touring Cruiser	1508	PL-1500	KN-198
Victory Vision Tour	1731		KN-198	Vegas	1508	PL-1500	KN-198
<b>2008 VICTORY</b>				Vegas	1634		KN-198
Arlen Ness Jackpot	1634	PL-1608	KN-198	<b>2002 VICTORY</b>			
Cory Ness Jackpot	1634	PL-1608	KN-198	Deluxe Cruiser	1508	PL-1500	KN-198
Hammer	1634	PL-1608	KN-198	Deluxe Touring	1508	PL-1500	KN-198
Hammer S	1634	PL-1608	KN-198	Cruiser			
Kingpin	1634	PL-1608	KN-198	Standard Cruiser	1507	PL-1500	KN-198
Kingpin 8 Ball	1634	PL-1608	KN-198	Touring Cruiser	1508	PL-1500	KN-198
				Touring Cruiser	1508	PL-1500	KN-198

\*Indicates 2 filters required

◆ - Intake kit available

Applications updated daily at [knfilters.com](http://knfilters.com) ®

# AIR & OIL FILTERS

# VICTORY

Vehicle	Engine Type	Air Filter	Oil Filter
<b>2001 VICTORY</b>			
V92C	1508	PL-1500	KN-303
		PL-1500	KN-303C
V92C Deluxe	1507	PL-1500	KN-303
		PL-1500	KN-303C
V92SC	1507	PL-1500	KN-303
		PL-1500	KN-303C

<b>2000 VICTORY</b>			
V92C	1508	PL-1500	KN-303
		PL-1500	KN-303C
V92SC	1507	PL-1500	KN-303
		PL-1500	KN-303C

<b>1999 VICTORY</b>			
V92C	1508	PL-1598	KN-303
		PL-1598	KN-303C

<b>1998 VICTORY</b>			
V92C	1508	PL-1598	

<b>2011 VOLKSWAGEN</b>			
CC	2.0L L4 F/I	33-2865 ♦	
CC	3.6L V6 F/I	33-2384	
Eos	2.0L L4 F/I	33-2865 ♦	
Fox	1.2L L3 F/I	33-2830 ♦	
Fox	1.4L L4 DSL	33-2830	
Golf	2.0L L4 DSL - US	33-2865	
Golf	2.5L L5 F/I	33-2331	
Golf Plus	1.2L L4 F/I	E-2014 ♦	
Golf Plus	1.4L L4 F/I - 122BHP	E-2014 ♦	
Golf Plus	1.4L L4 F/I - 160BHP	33-2865 ♦	
Golf Plus	1.4L L4 F/I - 80BHP	33-2920 ♦	
Golf Plus	1.6L L4 DSL	33-2865 ♦	
Golf Plus	2.0L L4 DSL	33-2865 ♦	
Golf VI	1.2L L4 F/I	E-2014 ♦	
Golf VI	1.4L L4 F/I - 122BHP	E-2014 ♦	
Golf VI	1.4L L4 F/I - 160BHP	33-2865 ♦	
Golf VI	1.4L L4 F/I - 80BHP	33-2920 ♦	
Golf VI	1.6L L4 DSL	33-2865 ♦	
Golf VI	1.8L L4 F/I	33-2865 ♦	
Golf VI	2.0L L4 DSL	33-2865 ♦	
Golf VI	2.0L L4 F/I - 211BHP	33-2865 ♦	
Golf VI	2.0L L4 F/I - 270BHP	33-2888 ♦	
Golf VI	2.5L L5 F/I	33-2331	
GTI	2.0L L4 F/I	33-2865 ♦	
Jetta	2.0L L4 F/I	33-2865	
Jetta	2.5L L5 F/I	33-2331	
Passat	2.0L L4 F/I	33-2865	
Polo	1.2L L3 F/I - exc. Turbo	33-2830	
Polo	1.2L L3 F/I - Turbo	E-2997	
Polo	1.2L L4 DSL	E-2997	
Polo	1.4L L4 F/I - exc. Turbo	33-2920 ♦	
Polo	1.4L L4 F/I - Turbo	E-2997 ♦	
Polo	1.6L L4 DSL	E-2997	
Routan	3.8L V6 F/I	33-2419	
Routan	4.0L V6 F/I	33-2419	
Sharan II	1.4L L4 F/I	33-2865	
Sharan II	2.0L L4 DSL	33-2865	
Tiguan	2.0L L4 F/I	33-2865	
Touareg	3.0L L6 DSL	33-2857	
Touareg	3.0L V6 F/I	33-2857	
Touareg	3.6L V6 F/I	33-2857	
Touareg	4.2L V8 F/I	33-2857*	

<b>2010 VOLKSWAGEN</b>			
Beetle	1.4L L4 F/I	33-2774	

Vehicle	Engine Type	Air Filter	Oil Filter
<b>2010 VOLKSWAGEN</b>			
Beetle	1.6L L4 F/I	33-2128	
Beetle	1.8L L4 F/I	33-2128	
Beetle	1.9L L4 DSL	33-2128	
Beetle	2.0L L4 F/I	33-2128	
Beetle	2.5L L5 F/I	33-2128	HP-7010
Caddy III	1.6L L4 F/I	E-2014 ♦	
Caddy III	1.9L L4 DSL	33-2865 ♦	
Caddy III	2.0L L4 DSL	33-2865 ♦	
CC	2.0L L4 F/I	33-2865 ♦	
CC	3.6L V6 F/I	33-2384	
Eos	1.4L L4 F/I - 122BHP	E-2014 ♦	
Eos	1.4L L4 F/I - 160BHP	33-2865 ♦	
Eos	2.0L L4 DSL	33-2865 ♦	
Eos	2.0L L4 F/I	33-2865 ♦	
Eos	3.6L V6 F/I	33-2384	
Fox	1.2L L3 F/I	33-2830	
Fox	1.4L L4 DSL	33-2830	
Gol	1.6L L4 F/I		HP-1002
Golf	2.0L L4 DSL - US	33-2865	
Golf	2.5L L5 F/I	33-2331	HP-7010
Golf Plus	1.2L L4 F/I	E-2014 ♦	
Golf Plus	1.4L L4 F/I - 122BHP	E-2014 ♦	
Golf Plus	1.4L L4 F/I - 160BHP	33-2865 ♦	
Golf Plus	1.4L L4 F/I - 80BHP	33-2920 ♦	
Golf Plus	1.6L L4 DSL	33-2865 ♦	
Golf Plus	1.6L L4 F/I	E-2014	
Golf Plus	2.0L L4 DSL	33-2865 ♦	
Golf VI	1.2L L4 F/I	E-2014 ♦	
Golf VI	1.4L L4 F/I - 122BHP	E-2014 ♦	
Golf VI	1.4L L4 F/I - 160BHP	33-2865 ♦	
Golf VI	1.4L L4 F/I - 80BHP	33-2920 ♦	
Golf VI	1.6L L4 DSL	33-2865 ♦	
Golf VI	1.6L L4 F/I	E-2014 ♦	
Golf VI	1.8L L4 F/I	33-2865 ♦	
Golf VI	2.0L L4 DSL	33-2865 ♦	
Golf VI	2.0L L4 F/I - 270BHP	33-2888 ♦	
Golf VI	2.0L L4 F/I - Exc. 270BHP	33-2865 ♦	
Golf VI	2.5L L5 F/I	33-2331	
GTI	2.0L L4 F/I	33-2865 ♦	
Jetta	2.0L L4 DSL	33-2865	
Jetta	2.0L L4 F/I	33-2865	
Jetta	2.5L L5 F/I	33-2331	HP-7010
Jetta GLi	2.0L L4 F/I	33-2865 ♦	
Jetta V	1.4L L4 F/I - 122BHP	E-2014 ♦	
Jetta V	1.4L L4 F/I - 140/160/170BHP	33-2865 ♦	
Jetta V	1.6L L4 DSL	33-2865 ♦	
Jetta V	1.6L L4 F/I	E-2014	
Jetta V	2.0L L4 DSL	33-2865 ♦	
Jetta V	2.0L L4 F/I - TFSi	33-2888 ♦	
Jetta V	2.0L L4 F/I - TSi	33-2865 ♦	
Jetta V	2.5L L5 F/I	33-2331	
Passat	1.4L L4 F/I - 122BHP	E-2014 ♦	
Passat	1.4L L4 F/I - 150BHP	33-2865 ♦	
Passat	1.6L L4 DSL	33-2865 ♦	
Passat	1.6L L4 F/I	E-2014 ♦	
Passat	1.8L L4 F/I	33-2865 ♦	
Passat	2.0L L4 DSL	33-2865 ♦	
Passat	2.0L L4 F/I	33-2865 ♦	
Passat CC	2.0L L4 F/I	33-2865	
Passat CC	3.6L V6 F/I	33-2384	
Polo	1.2L L3 F/I - exc. Turbo	33-2830	
Polo	1.2L L3 F/I - Turbo	E-2997	
Polo	1.2L L4 DSL	E-2997	

\*Indicates 2 filters required

♦ - Intake kit available

Applications updated daily at [knfilters.com](http://knfilters.com) ®

Partial Listing - Complete List of Vehicles and Applications at [knfilters.com](http://knfilters.com)

# VOLKSWAGEN

# AIR & OIL FILTERS

Vehicle	Engine Type	Air Filter	Oil Filter	Vehicle	Engine Type	Air Filter	Oil Filter
<b>2010 VOLKSWAGEN</b>				<b>2009 VOLKSWAGEN</b>			
Polo	1.4L L4 F/I - exc. Turbo	33-2920 ♦		Golf Plus	1.2L L4 F/I	E-2014 ♦	
Polo	1.4L L4 F/I - Turbo	E-2997 ♦		Golf Plus	1.4L L4 F/I - 122BHP	E-2014 ♦	
Polo	1.6L L4 DSL	E-2997		Golf Plus	1.4L L4 F/I - 140/170BHP	33-2865 ♦	
Rabbit	2.5L L5 F/I		HP-7010	Golf Plus	1.4L L4 F/I - 80BHP	33-2920 ♦	
Routan	3.8L V6 F/I	33-2419	HP-1002	Golf Plus	1.6L L4 DSL	33-2865 ♦	
Routan	4.0L V6 F/I	33-2419	HP-1017	Golf Plus	1.6L L4 F/I - 102BHP	E-2014 ♦	
Sagitar	1.4L L4 F/I	E-2014 ♦		Golf Plus	1.6L L4 F/I - 115BHP	33-2869 ♦	
Sagitar	1.6L L4 F/I	E-2014		Golf Plus	1.9L L4 DSL	33-2865 ♦	
Sagitar	2.0L L4 F/I	E-2014		Golf Plus	2.0L L4 DSL	33-2865 ♦	
Scirocco	1.4L L4 F/I - 122BHP	E-2014 ♦		Golf Plus	2.0L L4 F/I - 150BHP	E-2014 ♦	
Scirocco	1.4L L4 F/I - 160BHP	33-2865 ♦		Golf V	1.4L L4 F/I - 122BHP	E-2014 ♦	
Scirocco	2.0L L4 DSL	33-2865 ♦		Golf V	1.4L L4 F/I - 140/170BHP	33-2865 ♦	
Scirocco	2.0L L4 F/I - 270BHP	33-2888 ♦		Golf V	1.4L L4 F/I - 80BHP	33-2920 ♦	
Sharan	1.8L L4 F/I	33-2203		Golf V	1.6L L4 F/I - 101BHP	33-2920 ♦	
Sharan	2.0L L4 DSL	33-2203		Golf V	1.6L L4 F/I - 102BHP	E-2014 ♦	
Sharan	2.0L L4 F/I	33-2203		Golf V	1.6L L4 F/I - 115BHP	33-2869 ♦	
Sharan II	1.4L L4 F/I	33-2865		Golf V	1.9L L4 DSL	33-2865 ♦	
Sharan II	2.0L L4 DSL	33-2865		Golf V	2.0L L4 DSL	33-2865 ♦	
Tiguan	1.4L L4 F/I	33-2865 ♦		Golf V	2.0L L4 F/I - 150BHP	E-2014	
Tiguan	2.0L L4 DSL	33-2865 ♦		Golf V	2.0L L4 F/I - 200BHP	33-2888	
Tiguan	2.0L L4 F/I	33-2865 ♦		Golf V	3.2L V6 F/I	33-2878	
Touareg	3.0L V6 DSL	33-2857		Golf V GTI	2.0L L4 F/I	33-2888	
Touareg	3.6L V6 F/I	33-2857	HP-7005	Golf VI	1.2L L4 F/I	E-2014 ♦	
Touareg	4.2L V8 F/I	33-2857*		Golf VI	1.4L L4 F/I - 122BHP	E-2014 ♦	
Touareg	5.0L V10 DSL	33-2857*		Golf VI	1.4L L4 F/I - 160BHP	33-2865 ♦	
Touareg	6.0L W12 F/I	33-2857*		Golf VI	1.4L L4 F/I - 80BHP	33-2920 ♦	
Touran	1.4L L4 F/I	33-2865 ♦		Golf VI	1.6L L4 DSL	33-2865 ♦	
Touran	1.6L L4 F/I	E-2014 ♦		Golf VI	1.6L L4 F/I	E-2014 ♦	
Touran	1.9L L4 DSL	33-2865 ♦		Golf VI	1.8L L4 F/I	33-2865 ♦	
Touran	2.0L L4 DSL	33-2865 ♦		Golf VI	2.0L L4 DSL	33-2865 ♦	
Transporter T5	2.0L L4 DSL	33-2867		Golf VI	2.0L L4 F/I - 211BHP	33-2865 ♦	
Transporter T5	2.0L L4 F/I	33-2867		Golf VI	2.0L L4 F/I - 270BHP	33-2888 ♦	
<b>2009 VOLKSWAGEN</b>							
Beetle	1.4L L4 F/I	33-2774		Golf VI	2.5L L5 F/I	33-2331	
Beetle	1.6L L4 F/I	33-2128		GTI	2.0L L4 F/I	33-2865 ♦	
Beetle	1.8L L4 F/I	33-2128		Jetta	2.0L L4 DSL	33-2865	
Beetle	1.9L L4 DSL	33-2128		Jetta	2.0L L4 F/I	33-2865	
Beetle	2.0L L4 F/I	33-2128		Jetta	2.5L L5 F/I	33-2331	HP-7010
Beetle	2.5L L5 F/I	33-2128	HP-7010	Jetta GLi	2.0L L4 F/I	33-2865 ♦	
Caddy III	1.4L L4 F/I - 75BHP	33-2221 ♦		Jetta V	1.4L L4 F/I	33-2865 ♦	
Caddy III	1.4L L4 F/I - 80BHP	33-2920 ♦		Jetta V	1.6L L4 DSL	33-2865 ♦	
Caddy III	1.6L L4 F/I	E-2014 ♦		Jetta V	1.6L L4 F/I - 102BHP	E-2014 ♦	
Caddy III	1.9L L4 DSL	33-2865 ♦		Jetta V	1.6L L4 F/I - 115BHP	33-2869 ♦	
Caddy III	2.0L L4 DSL - SDi	E-2014 ♦		Jetta V	1.6L L4 F/I - China Only, Engine Code ACR, ANL	33-2851 ♦	
Caddy III	2.0L L4 DSL - TDi	33-2865 ♦		Jetta V	1.9L L4 DSL	33-2865 ♦	
Caddy III	2.0L L4 F/I	E-2014 ♦		Jetta V	2.0L L4 DSL	33-2865 ♦	
CC	2.0L L4 F/I	33-2865 ♦	HP-7010	Jetta V	2.0L L4 F/I - 200BHP	33-2888 ♦	
CC	3.6L V6 F/I	33-2384		Jetta V	2.0L L4 F/I - Exc., 200BHP	E-2014 ♦	
City Golf	2.0L L4 F/I		HP-2005	Jetta V	2.5L L5 F/I	33-2331	HP-7010
City Jetta	2.0L L4 F/I		HP-2005	Lupo	1.6L L4 F/I		HP-1002
Crafter	2.5L L5 DSL	33-2391		Passat	1.4L L4 F/I - 122BHP	E-2014 ♦	
Eos	1.4L L4 F/I - 122BHP, TSi	E-2014 ♦		Passat	1.4L L4 F/I - 150BHP	33-2865 ♦	
Eos	1.4L L4 F/I - 160BHP	33-2865 ♦		Passat	1.6L L4 DSL	33-2865 ♦	
Eos	1.6L L4 F/I	33-2869 ♦		Passat	1.6L L4 F/I - 102BHP	E-2014 ♦	
Eos	2.0L L4 DSL	33-2865 ♦		Passat	1.6L L4 F/I - 115BHP	33-2869 ♦	
Eos	2.0L L4 F/I	33-2865 ♦	HP-7010	Passat	1.8L L4 F/I	33-2865 ♦	
Eos	2.0L L4 F/I - 150BHP	E-2014 ♦	HP-7010	Passat	1.9L L4 DSL	33-2865 ♦	
Eos	2.0L L4 F/I - 200BHP	33-2888 ♦	HP-7010	Passat	2.0L L4 DSL	33-2865 ♦	
Eos	2.0L L4 F/I - BPY Eng.	33-2865	HP-7010	Passat	2.0L L4 F/I	33-2865 ♦	HP-7010
Eos	3.2L V6 F/I	33-2878 ♦		Passat	2.0L L4 F/I - 150BHP	E-2014 ♦	HP-7010
Fox	1.2L L3 F/I	33-2830 ♦		Passat	2.0L L4 F/I - 200BHP	33-2888 ♦	HP-7010
Fox	1.4L L4 DSL	33-2830		Passat	3.2L V6 F/I	33-2878	
Fox	1.6L L4 F/I		HP-1002				

\*Indicates 2 filters required

♦ - Intake kit available

Applications updated daily at [knfilters.com](http://knfilters.com) ®

# AIR & OIL FILTERS

# VOLKSWAGEN

Vehicle	Engine Type	Air Filter	Oil Filter	Vehicle	Engine Type	Air Filter	Oil Filter
<b>2009 VOLKSWAGEN</b>				<b>2008 VOLKSWAGEN</b>			
Passat	3.6L V6 F/I	33-2878		City Golf	2.0L L4 F/I		HP-2005
Passat CC	1.8L L4 F/I	33-2865 ♦		City Jetta	2.0L L4 F/I		HP-2005
Passat CC	2.0L L4 DSL	33-2865 ♦		Crafter	2.5L L5 DSL	33-2391	
Passat CC	2.0L L4 F/I	33-2865 ♦	HP-7010	Derby	2.0L L4 F/I		HP-2005
Passat CC	3.6L V6 F/I	33-2384		Eos	1.4L L4 F/I - 122BHP	E-2014 ♦	
Polo	1.2L L3 F/I - 64BHP	33-2830		Eos	1.4L L4 F/I - 160BHP	33-2865 ♦	
Polo	1.4L L3 DSL	33-2830		Eos	1.6L L4 F/I	33-2869 ♦	
Polo	1.4L L4 F/I - exc. Turbo	33-2920 ♦		Eos	2.0L L4 DSL	33-2865 ♦	
Polo	1.6L L4 DSL	E-2997		Eos	2.0L L4 F/I	33-2888	HP-7010
Polo	1.6L L4 F/I - 105BHP	33-2920 ♦		Eos	2.0L L4 F/I - 150BHP	E-2014 ♦	HP-7010
Polo	1.8L L4 F/I	33-2830 ♦		Eos	2.0L L4 F/I - 200BHP	33-2888 ♦	HP-7010
Polo	1.9L L4 DSL	33-2830		Eos	3.2L V6 F/I - Non-US	33-2878 ♦	
Polo	2.0L L4 F/I	33-2830		Eos	3.2L V6 F/I - US	33-2384 ♦	
Rabbit	2.5L L5 F/I	33-2331	HP-7010	Fox	1.2L L3 F/I	33-2830 ♦	
Routan	3.8L V6 F/I		HP-1002	Fox	1.4L L4 DSL	33-2830	
Routan	4.0L V6 F/I		HP-1017	Fox	1.6L L4 F/I		HP-1002
Sagitar	1.4L L4 F/I	E-2014 ♦		Golf Plus	1.4L L4 F/I - 122BHP	E-2014 ♦	
Sagitar	1.6L L4 F/I	E-2014		Golf Plus	1.4L L4 F/I - 140/170BHP	33-2865 ♦	
Sagitar	2.0L L4 F/I	E-2014		Golf Plus	1.4L L4 F/I - 80BHP	33-2920 ♦	
Scirocco	1.4L L4 F/I - 122BHP	E-2014 ♦		Golf Plus	1.6L L4 F/I - 102BHP	E-2014 ♦	
Scirocco	1.4L L4 F/I - 160BHP	33-2865 ♦		Golf Plus	1.6L L4 F/I - 115BHP	33-2869 ♦	
Scirocco	2.0L L4 DSL	33-2865 ♦		Golf Plus	1.9L L4 DSL	33-2865 ♦	
Scirocco	2.0L L4 F/I - 211BHP	33-2865 ♦		Golf Plus	2.0L L4 DSL	33-2865 ♦	
Scirocco	2.0L L4 F/I - 270BHP	33-2888 ♦		Golf Plus	2.0L L4 F/I	E-2014 ♦	HP-7010
Sharan	1.8L L4 F/I	33-2203		Golf V	1.4L L4 F/I - 122BHP	E-2014 ♦	
Sharan	1.9L L4 DSL	33-2203		Golf V	1.4L L4 F/I - 140/170BHP	33-2865 ♦	
Sharan	2.0L L4 DSL	33-2203		Golf V	1.4L L4 F/I - 80BHP	33-2920 ♦	
Sharan	2.0L L4 F/I	33-2203		Golf V	1.6L L4 F/I - 101BHP	33-2920 ♦	
Sharan	2.8L V6 F/I	33-2203		Golf V	1.6L L4 F/I - 102BHP	E-2014 ♦	
Tiguan	1.4L L4 F/I	33-2865 ♦		Golf V	1.6L L4 F/I - 115BHP	33-2869 ♦	
Tiguan	2.0L L4 DSL	33-2865 ♦		Golf V	1.9L L4 DSL	33-2865 ♦	
Tiguan	2.0L L4 F/I - Turbo	33-2865 ♦		Golf V	2.0L L4 DSL	33-2865 ♦	
Touareg	2.5L L5 DSL	33-2857		Golf V	2.0L L4 F/I		HP-7010
Touareg	3.0L V6 DSL	33-2857	HP-7005	Golf V	2.0L L4 F/I - 150BHP	E-2014 ♦	HP-7010
Touareg	3.6L V6 F/I	33-2857	HP-7005	Golf V	2.0L L4 F/I - 200BHP	33-2888 ♦	HP-7010
Touareg	4.2L V8 F/I	33-2857*		Golf V	3.2L V6 F/I	33-2878 ♦	
Touareg	4.2L V8 F/I - Non-US	33-2857*	HP-7005	Golf V	2.0L L4 F/I	33-2888 ♦	HP-7010
Touareg	5.0L V10 DSL	33-2857*		Golf V GTI	2.0L L4 F/I	33-2888 ♦	
Touareg	6.0L W12 F/I	33-2857*		Golf VI	1.4L L4 F/I - 122BHP	E-2014 ♦	
Touran	1.4L L4 F/I	33-2865 ♦		Golf VI	1.4L L4 F/I - 160BHP	33-2865 ♦	
Touran	1.6L L4 F/I - 102BHP	E-2014 ♦		Golf VI	1.4L L4 F/I - 80BHP	33-2920 ♦	
Touran	1.6L L4 F/I - 115BHP	33-2869 ♦		Golf VI	1.6L L4 F/I	E-2014 ♦	
Touran	1.9L L4 DSL	33-2865 ♦		Golf VI	2.0L L4 DSL	33-2865 ♦	
Touran	2.0L L4 DSL	33-2865 ♦		Golf VI	2.0L L4 F/I - 211BHP	33-2865 ♦	
Transporter T5	1.9L L4 DSL	33-2867		GTI	2.0L L4 F/I	33-2888 ♦	HP-7010
Transporter T5	2.0L L4 F/I	33-2867		Jetta	2.0L L4 F/I	33-2865	HP-7010
Transporter T5	2.5L L5 DSL	33-2867		Jetta	2.5L L5 F/I	33-2331	HP-7010
Transporter T5	3.2L V6 F/I	33-2867		Jetta GLi	2.0L L4 F/I	33-2888	
Van	1.8L L4 F/I		HP-2005	Jetta V	1.4L L4 F/I	33-2865 ♦	
<b>2008 VOLKSWAGEN</b>				Jetta V	1.6L L4 F/I - 102BHP	E-2014 ♦	
Beetle	1.4L L4 F/I	33-2774		Jetta V	1.6L L4 F/I - 115BHP	33-2869 ♦	
Beetle	1.6L L4 F/I	33-2128		Jetta V	1.6L L4 F/I - China Only, Engine Code ACR, ANL	33-2851 ♦	
Beetle	1.8L L4 F/I	33-2128 ♦		Jetta V	1.9L L4 DSL	33-2865 ♦	
Beetle	1.9L L4 DSL	33-2128		Jetta V	2.0L L4 DSL	33-2865 ♦	
Beetle	2.0L L4 F/I	33-2128 ♦		Jetta V	2.0L L4 F/I		HP-7010
Beetle	2.5L L5 F/I	33-2128	HP-7010	Jetta V	2.0L L4 F/I - 200BHP	33-2888 ♦	HP-7010
Caddy III	1.4L L4 F/I - 75BHP	33-2221 ♦		Jetta V	2.0L L4 F/I - Exc., 200BHP	E-2014 ♦	HP-7010
Caddy III	1.4L L4 F/I - 80BHP	33-2920 ♦		Jetta V	2.5L L5 F/I	33-2331	HP-7010
Caddy III	1.6L L4 F/I	E-2014 ♦		Lupo	1.6L L4 F/I		HP-1002
Caddy III	1.9L L4 DSL	33-2865 ♦		Parati	1.6L L4 F/I	33-2127	
Caddy III	2.0L L4 DSL - SDi	E-2014 ♦		Parati	1.8L L4 F/I	33-2127	
Caddy III	2.0L L4 DSL - TDi	33-2865 ♦		Parati	1.9L L4 DSL	33-2127	
Caddy III	2.0L L4 F/I	E-2014 ♦					

\*Indicates 2 filters required      ♦ - Intake kit available      Applications updated daily at [knfilters.com](http://knfilters.com) ®

Partial Listing - Complete List of Vehicles and Applications at [knfilters.com](http://knfilters.com)

# VOLKSWAGEN

# AIR & OIL FILTERS

Vehicle	Engine Type	Air Filter	Oil Filter	Vehicle	Engine Type	Air Filter	Oil Filter
<b>2008 VOLKSWAGEN</b>				<b>2007 VOLKSWAGEN</b>			
Passat	1.4L L4 F/I	E-2014 ♦		Beetle	1.6L L4 F/I	33-2128 ♦	
Passat	1.6L L4 F/I - 102BHP	E-2014 ♦		Beetle	1.8L L4 F/I	33-2128 ♦	
Passat	1.6L L4 F/I - 115BHP	33-2869 ♦		Beetle	1.9L L4 DSL	33-2128	
Passat	1.8L L4 F/I	33-2865 ♦		Beetle	2.0L L4 F/I	33-2128 ♦	
Passat	1.9L L4 DSL	33-2865 ♦		Beetle	2.5L L5 F/I	33-2128	HP-7010
Passat	2.0L L4 DSL	33-2865 ♦		Caddy III	1.4L L4 F/I - 75BHP	33-2221 ♦	
Passat	2.0L L4 F/I	33-2888	HP-7010	Caddy III	1.4L L4 F/I - 80BHP	33-2920 ♦	
Passat	2.0L L4 F/I - 150BHP	E-2014 ♦	HP-7010	Caddy III	1.6L L4 F/I	E-2014 ♦	
Passat	2.0L L4 F/I - 200BHP	33-2888 ♦	HP-7010	Caddy III	1.9L L4 DSL	33-2865 ♦	
Passat	3.2L V6 F/I	33-2878		Caddy III	2.0L L4 DSL - SDi	E-2014 ♦	
Passat	3.6L V6 F/I - Non-US	33-2878		Caddy III	2.0L L4 DSL - TDi	33-2865 ♦	
Passat	3.6L V6 F/I - US	33-2384		Caddy III	2.0L L4 F/I	E-2014 ♦	
Passat CC	1.8L L4 F/I	33-2865 ♦		City Golf	2.0L L4 F/I		HP-2005
Passat CC	2.0L L4 DSL	33-2865 ♦		City Jetta	2.0L L4 F/I		HP-2005
Passat CC	2.0L L4 F/I	33-2865 ♦		Crafter	2.5L L5 DSL	33-2391	
Passat CC	3.6L V6 F/I	33-2384		Derby	2.0L L4 F/I		HP-2005
Pointer	1.8L L4 F/I		HP-2005	Eos	1.4L L4 F/I	E-2014 ♦	
Polo	1.2L L3 F/I - 54/64BHP	33-2830		Eos	1.6L L4 F/I	33-2869 ♦	
Polo	1.4L L3 DSL	33-2830		Eos	2.0L L4 DSL	33-2865 ♦	
Polo	1.4L L4 F/I - 75/101BHP	33-2221 ♦		Eos	2.0L L4 F/I	33-2888	HP-7010
Polo	1.4L L4 F/I - 80BHP	33-2920 ♦		Eos	2.0L L4 F/I - 150BHP	E-2014 ♦	HP-7010
Polo	1.4L L4 F/I - FSi	33-2850 ♦		Eos	2.0L L4 F/I - 200BHP	33-2888 ♦	HP-7010
Polo	1.6L L4 F/I - 105BHP	33-2920 ♦		Eos	3.2L V6 F/I - Non-US	33-2878 ♦	
Polo	1.8L L4 F/I	33-2830 ♦		Eos	3.2L V6 F/I - US	33-2384 ♦	
Polo	1.9L L4 DSL	33-2830 ♦		Fox	1.2L L3 F/I	33-2830 ♦	
Polo	2.0L L4 F/I	33-2830		Fox	1.4L L4 DSL	33-2830	
R32	3.2L V6 F/I	33-2384		Fox	1.6L L4 F/I		HP-1002
Rabbit	2.5L L5 F/I	33-2331	HP-7010	Golf Plus	1.4L L4 F/I - 122BHP	E-2014 ♦	
Sagitar	1.4L L4 F/I	E-2014 ♦		Golf Plus	1.4L L4 F/I - 140/170BHP	33-2865 ♦	
Sagitar	1.6L L4 F/I	E-2014		Golf Plus	1.4L L4 F/I - 75BHP	33-2221 ♦	
Sagitar	2.0L L4 F/I	E-2014		Golf Plus	1.4L L4 F/I - 80BHP	33-2920 ♦	
Scirocco	1.4L L4 F/I - 122BHP	E-2014 ♦		Golf Plus	1.4L L4 F/I - 90BHP	33-2850 ♦	
Scirocco	1.4L L4 F/I - 160BHP	33-2865 ♦		Golf Plus	1.6L L4 F/I - 102BHP	E-2014 ♦	
Scirocco	2.0L L4 DSL	33-2865 ♦		Golf Plus	1.6L L4 F/I - 115BHP	33-2869 ♦	
Scirocco	2.0L L4 F/I - 211BHP	33-2865 ♦		Golf Plus	1.9L L4 DSL	33-2865 ♦	
Sharan	1.8L L4 F/I	33-2203	HP-2005	Golf Plus	2.0L L4 DSL	33-2865 ♦	
Sharan	1.9L L4 DSL	33-2203		Golf Plus	2.0L L4 F/I	E-2014 ♦	HP-7010
Sharan	2.0L L4 DSL	33-2203		Golf V	1.4L L4 F/I - 122BHP	E-2014 ♦	
Sharan	2.0L L4 F/I	33-2203		Golf V	1.4L L4 F/I - 140/170BHP	33-2865 ♦	
Sharan	2.8L V6 F/I	33-2203		Golf V	1.4L L4 F/I - 75BHP	33-2221 ♦	
Tiguan	1.4L L4 F/I	33-2865 ♦		Golf V	1.4L L4 F/I - 80BHP	33-2920 ♦	
Tiguan	2.0L L4 DSL	33-2865 ♦		Golf V	1.4L L4 F/I - 90BHP	33-2850 ♦	
Tiguan	2.0L L4 F/I	33-2865 ♦		Golf V	1.6L L4 F/I - 101BHP	33-2920 ♦	
Touareg	2.5L L5 DSL	33-2857		Golf V	1.6L L4 F/I - 102BHP	E-2014 ♦	
Touareg	3.0L V6 DSL	33-2857		Golf V	1.6L L4 F/I - 115BHP	33-2869 ♦	
Touareg	3.6L V6 F/I	33-2857	HP-7005	Golf V	1.9L L4 DSL	33-2865 ♦	
Touareg	4.2L V8 F/I	33-2857*		Golf V	2.0L L4 DSL - 75BHP	E-2014 ♦	
Touareg	4.2L V8 F/I - Non-US	33-2857*	HP-7005	Golf V	2.0L L4 DSL - Exc., 75BHP	33-2865 ♦	
Touareg	5.0L V10 DSL	33-2857*		Golf V	2.0L L4 F/I		HP-7010
Touareg	6.0L W12 F/I	33-2857*		Golf V	2.0L L4 F/I - 150BHP	E-2014 ♦	HP-7010
Touran	1.4L L4 F/I	33-2865 ♦		Golf V	2.0L L4 F/I - 200BHP	33-2888 ♦	HP-7010
Touran	1.6L L4 F/I - 102BHP	E-2014 ♦		Golf V	3.2L V6 F/I	33-2878 ♦	
Touran	1.6L L4 F/I - 115BHP	33-2869 ♦		Golf V GTI	2.0L L4 F/I	33-2888 ♦	HP-7010
Touran	1.9L L4 DSL	33-2865 ♦		GTI	2.0L L4 F/I	33-2888 ♦	HP-7010
Touran	2.0L L4 DSL	33-2865 ♦		Jetta	2.0L L4 F/I	33-2888	HP-7010
Touran	2.0L L4 F/I	E-2014 ♦		Jetta	2.5L L5 F/I	33-2331	HP-7010
Transporter T5	1.9L L4 DSL	33-2867		Jetta GLi	2.0L L4 F/I	33-2888 ♦	HP-7010
Transporter T5	2.0L L4 DSL	33-2867		Jetta V	1.4L L4 F/I	33-2865 ♦	
Transporter T5	2.0L L4 F/I	33-2867		Jetta V	1.6L L4 F/I - 102BHP	E-2014 ♦	
Transporter T5	2.5L L5 DSL	33-2867		Jetta V	1.6L L4 F/I - 115BHP	33-2869 ♦	
Transporter T5	3.2L V6 F/I	33-2867	HP-7005	Jetta V	1.6L L4 F/I - China Only, Engine Code ACR, ANL	33-2851 ♦	
<b>2007 VOLKSWAGEN</b>							
Beetle	1.4L L4 F/I	33-2774					

\*Indicates 2 filters required

♦ - Intake kit available

Applications updated daily at [knfilters.com](http://knfilters.com) ®

# AIR & OIL FILTERS

# VOLKSWAGEN

Vehicle	Engine Type	Air Filter	Oil Filter	Vehicle	Engine Type	Air Filter	Oil Filter
<b>2007 VOLKSWAGEN</b>				<b>2006 VOLKSWAGEN</b>			
Jetta V	1.9L L4 DSL	33-2865 ♦		Beetle	1.4L L4 F/I	33-2774	
Jetta V	2.0L L4 DSL	33-2865 ♦		Beetle	1.6L L4 F/I	33-2128 ♦	
Jetta V	2.0L L4 F/I		HP-7010	Beetle	1.8L L4 F/I	33-2128 ♦	
Jetta V	2.0L L4 F/I - 200BHP	33-2888 ♦	HP-7010	Beetle	1.9L L4 DSL	33-2128	
Jetta V	2.0L L4 F/I - Exc., 200BHP	E-2014 ♦	HP-7010	Beetle	2.0L L4 F/I	33-2128 ♦	
Jetta V	2.5L L5 F/I	33-2331	HP-7010	Beetle	2.5L L5 F/I	33-2128	HP-7010
Lupo	1.6L L4 F/I		HP-1002	Caddy III	1.4L L4 F/I - 75BHP	33-2221 ♦	
Parati	1.6L L4 F/I	33-2127		Caddy III	1.4L L4 F/I - 80BHP	33-2920 ♦	
Parati	1.8L L4 F/I	33-2127		Caddy III	1.6L L4 F/I	E-2014 ♦	
Parati	1.9L L4 DSL	33-2127		Caddy III	1.9L L4 DSL	33-2865 ♦	
Passat	1.4L L4 F/I	E-2014 ♦		Caddy III	2.0L L4 DSL	E-2014	
Passat	1.6L L4 F/I - 102BHP	E-2014 ♦		Caddy III	2.0L L4 F/I	E-2014 ♦	
Passat	1.6L L4 F/I - 115BHP	33-2869 ♦		City Jetta	2.0L L4 F/I		HP-2005
Passat	1.8L L4 F/I	33-2865 ♦		Crafter	2.5L L5 DSL	33-2391	
Passat	1.9L L4 DSL	33-2865 ♦		Derby	2.0L L4 F/I		HP-2005
Passat	2.0L L4 DSL	33-2865 ♦		Eos	1.6L L4 F/I	33-2869 ♦	
Passat	2.0L L4 F/I	33-2888	HP-7010	Eos	2.0L L4 DSL	33-2865 ♦	
Passat	2.0L L4 F/I - 150BHP	E-2014 ♦	HP-7010	Eos	2.0L L4 F/I		HP-7010
Passat	2.0L L4 F/I - 200BHP	33-2888 ♦	HP-7010	Eos	2.0L L4 F/I - 150BHP	E-2014 ♦	HP-7010
Passat	3.2L V6 F/I	33-2878		Eos	2.0L L4 F/I - 200BHP	33-2888 ♦	HP-7010
Passat	3.6L V6 F/I - Non-US	33-2878		Eos	3.2L V6 F/I	33-2878 ♦	
Passat	3.6L V6 F/I - US	33-2384		Fox	1.2L L3 F/I	33-2830 ♦	
Pointer	1.8L L4 F/I		HP-2005	Fox	1.4L L4 DSL	33-2830	
Polo	1.2L L3 F/I - 54/64BHP	33-2830		Fox	1.6L L4 F/I		HP-1002
Polo	1.4L L3 DSL	33-2830		Golf	1.9L L4 DSL - US	33-2128	
Polo	1.4L L4 F/I - 75/101BHP	33-2221 ♦		Golf	2.0L L4 F/I	33-2128	HP-2005
Polo	1.4L L4 F/I - 80BHP	33-2920 ♦		Golf GTI	1.8L L4 F/I	33-2128	HP-2005
Polo	1.4L L4 F/I - FSi	33-2850 ♦		Golf Plus	1.4L L4 F/I - 140/170BHP	33-2865 ♦	
Polo	1.6L L4 F/I		HP-1002	Golf Plus	1.4L L4 F/I - 75BHP	33-2221 ♦	
Polo	1.6L L4 F/I - 105BHP	33-2920 ♦	HP-1002	Golf Plus	1.4L L4 F/I - 80BHP	33-2920 ♦	
Polo	1.8L L4 F/I	33-2830 ♦		Golf Plus	1.4L L4 F/I - 90BHP	33-2850 ♦	
Polo	1.9L L4 DSL	33-2830 ♦		Golf Plus	1.6L L4 F/I - 102BHP	E-2014 ♦	
Polo	2.0L L4 F/I	33-2830	HP-2005	Golf Plus	1.6L L4 F/I - 115BHP	33-2869 ♦	
Rabbit	2.5L L5 F/I	33-2331	HP-7010	Golf Plus	1.9L L4 DSL	33-2865 ♦	
Sagitar	1.4L L4 F/I	E-2014 ♦		Golf Plus	2.0L L4 DSL	33-2865 ♦	
Sagitar	1.6L L4 F/I	E-2014		Golf Plus	2.0L L4 F/I	E-2014 ♦	HP-7010
Sagitar	2.0L L4 F/I	E-2014		Golf Plus	1.4L L4 F/I - 140/170BHP	33-2865 ♦	
Sharan	1.8L L4 F/I	33-2203	HP-2005	Golf V	1.4L L4 F/I - 75BHP	33-2221 ♦	
Sharan	1.9L L4 DSL	33-2203		Golf V	1.4L L4 F/I - 80BHP	33-2920 ♦	
Sharan	2.0L L4 DSL	33-2203		Golf V	1.4L L4 F/I - 90BHP	33-2850 ♦	
Sharan	2.0L L4 F/I	33-2203		Golf V	1.6L L4 F/I - 101BHP	33-2920 ♦	
Sharan	2.8L V6 F/I	33-2203		Golf V	1.6L L4 F/I - 102BHP	E-2014 ♦	
Tiguan	1.4L L4 F/I	33-2865 ♦		Golf V	1.6L L4 F/I - 115BHP	33-2869 ♦	
Tiguan	2.0L L4 DSL	33-2865 ♦		Golf V	1.9L L4 DSL	33-2865 ♦	
Tiguan	2.0L L4 F/I	33-2865 ♦		Golf V	2.0L L4 DSL - 75BHP	E-2014 ♦	
Touareg	2.5L L5 DSL	33-2857		Golf V	2.0L L4 DSL - Exc., 75BHP	33-2865 ♦	
Touareg	3.0L V6 DSL	33-2857		Golf V	2.0L L4 F/I		HP-7010
Touareg	3.6L V6 F/I	33-2857	HP-7005	Golf V	2.0L L4 F/I - 150BHP	E-2014 ♦	HP-7010
Touareg	4.2L V8 F/I	33-2857*	HP-7005	Golf V	2.0L L4 F/I - 200BHP	33-2888 ♦	HP-7010
Touareg	5.0L V10 DSL	33-2857*		Golf V	3.2L V6 F/I	33-2878 ♦	
Touareg	6.0L W12 F/I	33-2857*		Golf V GTI	2.0L L4 F/I		HP-7010
Touran	1.4L L4 F/I	33-2865 ♦		Golf V GTI	2.0L L4 F/I - Turbo	33-2888 ♦	HP-7010
Touran	1.6L L4 F/I - 102BHP	E-2014 ♦		GTI	2.0L L4 F/I	33-2888 ♦	HP-7010
Touran	1.6L L4 F/I - 115BHP	33-2869 ♦		Jetta	1.9L L4 DSL	33-2865	
Touran	1.9L L4 DSL	33-2865 ♦		Jetta	2.0L L4 F/I	33-2888	HP-7010
Touran	2.0L L4 DSL	33-2865 ♦		Jetta	2.5L L5 F/I	33-2331	HP-7010
Touran	2.0L L4 F/I	E-2014 ♦		Jetta GLI	2.0L L4 F/I	33-2888 ♦	HP-7010
Transporter T5	1.9L L4 DSL	33-2867		Jetta V	1.4L L4 F/I	33-2865 ♦	
Transporter T5	2.0L L4 F/I	33-2867		Jetta V	1.6L L4 F/I - 102BHP	E-2014 ♦	
Transporter T5	2.5L L5 DSL	33-2867		Jetta V	1.6L L4 F/I - 115BHP	33-2869 ♦	
Transporter T5	3.2L V6 F/I	33-2867	HP-7005	Jetta V	1.6L L4 F/I - China Only, Engine Code ACR, ANL	33-2851 ♦	
Van	1.8L L4 F/I		HP-2005				

\*Indicates 2 filters required      ♦ - Intake kit available      Applications updated daily at [knfilters.com](http://knfilters.com) ®

**Partial Listing - Complete List of Vehicles and Applications at [knfilters.com](http://knfilters.com)**

# VOLKSWAGEN

# AIR & OIL FILTERS

Vehicle	Engine Type	Air Filter	Oil Filter
<b>2006 VOLKSWAGEN</b>			
Jetta V	1.9L L4 DSL	33-2865 ♦	
Jetta V	2.0L L4 DSL	33-2865 ♦	
Jetta V	2.0L L4 F/I		HP-7010
Jetta V	2.0L L4 F/I - 200BHP	33-2888 ♦	HP-7010
Jetta V	2.0L L4 F/I - Exc., 200BHP	E-2014 ♦	HP-7010
Jetta V	2.5L L5 F/I	33-2331	HP-7010
Lupo	1.6L L4 F/I		HP-1002
Parati	1.0L L4 F/I - exc. Turbo	33-2221	
Parati	1.0L L4 F/I - Turbo	33-2127	
Parati	1.6L L4 F/I	33-2127	
Parati	1.8L L4 F/I	33-2127	
Parati	1.9L L4 DSL	33-2127	
Parati	2.0L L4 F/I	33-2127	
Passat	1.6L L4 F/I - 102BHP	E-2014 ♦	
Passat	1.6L L4 F/I - 115BHP	33-2869 ♦	
Passat	1.9L L4 DSL	33-2865 ♦	
Passat	2.0L L4 DSL	33-2865 ♦	
Passat	2.0L L4 F/I	33-2888	HP-7010
Passat	2.0L L4 F/I - 150BHP	E-2014 ♦	HP-7010
Passat	2.0L L4 F/I - 200BHP	33-2888 ♦	HP-7010
Passat	3.2L V6 F/I	33-2878	
Passat	3.6L V6 F/I - Non-US	33-2878	
Pointer	1.8L L4 F/I		HP-2005
Polo	1.2L L3 F/I - 54BHP, 64BHP From 7/06	33-2830 ♦	
Polo	1.2L L3 F/I - 64BHP	33-2850 ♦	
Polo	1.4L L3 DSL	33-2830 ♦	
Polo	1.4L L4 F/I - 75/101BHP	33-2221 ♦	
Polo	1.4L L4 F/I - 80BHP	33-2920 ♦	
Polo	1.4L L4 F/I - 86BHP, FSI	33-2850 ♦	
Polo	1.6L L4 F/I		HP-1002
Polo	1.6L L4 F/I - 101BHP	33-2850 ♦	HP-1002
Polo	1.6L L4 F/I - 105BHP	33-2920 ♦	HP-1002
Polo	1.8L L4 F/I	33-2830 ♦	
Polo	1.9L L4 DSL	33-2830 ♦	
Polo	2.0L L4 F/I	33-2830	HP-2005
Rabbit	2.5L L5 F/I		HP-7010
Sagitar	1.4L L4 F/I	E-2014 ♦	
Sagitar	1.6L L4 F/I	E-2014	
Sagitar	2.0L L4 F/I	E-2014	
Sharan	1.8L L4 F/I	33-2203	HP-2005
Sharan	1.9L L4 DSL	33-2203	
Sharan	2.0L L4 DSL	33-2203	
Sharan	2.0L L4 F/I	33-2203	
Sharan	2.8L V6 F/I	33-2203	
Touareg	2.5L L5 DSL	33-2857	
Touareg	3.0L V6 DSL	33-2857	
Touareg	3.2L V6 F/I	33-2857	HP-7005
Touareg	3.6L V6 F/I	33-2857	HP-7005
Touareg	4.2L V8 F/I	33-2857*	HP-7005
Touareg	5.0L V10 DSL	33-2857*	
Touareg	6.0L W12 F/I	33-2857*	
Touran	1.4L L4 F/I	33-2865 ♦	
Touran	1.6L L4 F/I - 102BHP	E-2014 ♦	
Touran	1.6L L4 F/I - 115BHP	33-2869 ♦	
Touran	1.9L L4 DSL	33-2865 ♦	
Touran	2.0L L4 DSL	33-2865 ♦	
Touran	2.0L L4 F/I	E-2014 ♦	
Transporter T5	1.9L L4 DSL	33-2867	
Transporter T5	2.0L L4 F/I	33-2867	
Transporter T5	2.5L L5 DSL	33-2867	
Transporter T5	3.2L V6 F/I	33-2867	HP-7005

Vehicle	Engine Type	Air Filter	Oil Filter
<b>2006 VOLKSWAGEN</b>			
Van	1.8L L4 F/I		HP-2005
<b>2005 VOLKSWAGEN</b>			
Beetle	1.4L L4 F/I	33-2774	
Beetle	1.6L L4 F/I	33-2128 ♦	
Beetle	1.8L L4 F/I	33-2128 ♦	HP-2005
Beetle	1.9L L4 DSL	33-2128	
Beetle	2.0L L4 F/I	33-2128 ♦	HP-2005
Beetle	2.3L V5 F/I	33-2128 ♦	
Beetle	2.5L L5 F/I	33-2128	
Bora	1.4L L4 F/I	33-2774 ♦	
Bora	1.6L L4 F/I - 101/110BHP	33-2128 ♦	
Bora	1.6L L4 F/I - 102/105BHP	33-2221 ♦	
Bora	1.8L L4 F/I	33-2128 ♦	
Bora	1.9L L4 DSL	33-2128 ♦	
Bora	2.0L L4 F/I	33-2128 ♦	
Bora	2.8L V6 F/I	33-2128	
Caddy III	1.4L L4 F/I	33-2221 ♦	
Caddy III	1.6L L4 F/I	E-2014 ♦	
Caddy III	1.9L L4 DSL	33-2865 ♦	
Caddy III	2.0L L4 DSL	E-2014	
Derby	2.0L L4 F/I		HP-2005
Eurovan	2.5L L5 F/I		HP-3001
Fox	1.2L L3 F/I	33-2830 ♦	
Fox	1.4L L4 DSL	33-2830	
Fox	1.4L L4 F/I	33-2774 ♦	
Golf	1.9L L4 DSL - US	33-2128	
Golf	2.0L L4 F/I	33-2128 ♦	HP-2005
Golf GTI	1.8L L4 F/I	33-2128 ♦	HP-2005
Golf GTI	2.8L V6 F/I	33-2128	
Golf IV	1.6L L4 F/I - 16v	33-2221	
Golf IV	1.6L L4 F/I - 8v	33-2128	
Golf IV	1.8L L4 F/I	33-2128	
Golf IV GTI	1.8L L4 F/I	33-2128	
Golf Plus	1.6L L4 F/I - 102BHP	E-2014 ♦	
Golf Plus	1.6L L4 F/I - 115BHP	33-2869 ♦	
Golf Plus	1.9L L4 DSL	33-2865 ♦	
Golf Plus	2.0L L4 DSL	33-2865 ♦	
Golf Plus	2.0L L4 F/I	E-2014 ♦	HP-7010
Golf V	1.4L L4 F/I - 140/170BHP, Turbo	33-2865 ♦	
Golf V	1.4L L4 F/I - 75BHP	33-2221 ♦	
Golf V	1.4L L4 F/I - 90BHP	33-2850 ♦	
Golf V	1.6L L4 F/I - 102BHP	E-2014 ♦	
Golf V	1.6L L4 F/I - 115BHP	33-2869 ♦	
Golf V	1.9L L4 DSL	33-2865 ♦	
Golf V	2.0L L4 DSL	33-2865 ♦	
Golf V	2.0L L4 DSL - Exc., 75BHP	33-2865 ♦	
Golf V	2.0L L4 F/I		HP-7010
Golf V	2.0L L4 F/I - 150BHP	E-2014 ♦	HP-7010
Golf V	2.0L L4 F/I - 200BHP	33-2888 ♦	HP-7010
Golf V	3.2L V6 F/I	33-2878 ♦	
Golf V GTI	2.0L L4 F/I	33-2888 ♦	HP-7010
Jetta	1.8L L4 F/I	33-2128	HP-2005
Jetta	1.9L L4 DSL - BEW Eng.	33-2128	
Jetta	1.9L L4 DSL - BRM Eng.	33-2865	
Jetta	2.0L L4 F/I	33-2128	HP-2005
Jetta	2.5L L5 F/I		HP-7010
Jetta	2.5L L5 F/I - Body Code K	33-2331	HP-7010
Jetta	2.8L V6 F/I	33-2128	

\*Indicates 2 filters required

♦ - Intake kit available

Applications updated daily at [knfilters.com](http://knfilters.com) ®



# AIR & OIL FILTERS

# VOLKSWAGEN

Vehicle	Engine Type	Air Filter	Oil Filter	Vehicle	Engine Type	Air Filter	Oil Filter
<b>2005 VOLKSWAGEN</b>				<b>2005 VOLKSWAGEN</b>			
Jetta IV	1.6L L4 F/I - China Only, Engine Code ACR, ANL	33-2851		Polo	2.0L L4 F/I	33-2830	HP-2005
Jetta V	1.6L L4 F/I - 102BHP	E-2014 ♦		S320	3.2L L6 DSL - CDi	33-2158	
Jetta V	1.6L L4 F/I - 115BHP	33-2869 ♦		Sharan	1.8L L4 F/I	33-2203	HP-2005
Jetta V	1.6L L4 F/I - China Only, Engine Code ACR, ANL	33-2851 ♦		Sharan	1.9L L4 DSL	33-2203	
Jetta V	1.9L L4 DSL	33-2865 ♦		Sharan	2.0L L4 DSL	33-2203	
Jetta V	2.0L L4 DSL	33-2865 ♦		Sharan	2.0L L4 F/I	33-2203	
Jetta V	2.0L L4 F/I		HP-7010	Sharan	2.8L V6 F/I	33-2203	
Jetta V	2.0L L4 F/I - 200BHP	33-2888 ♦	HP-7010	Touareg	2.5L L5 DSL	33-2857	
Jetta V	2.0L L4 F/I - Exc., 200BHP	E-2014 ♦	HP-7010	Touareg	3.0L V6 DSL	33-2857	
LT	2.3L L4 F/I	33-2764		Touareg	3.2L V6 F/I	33-2857	HP-7005
LT	2.5L L5 DSL	33-2764		Touareg	3.6L V6 F/I	33-2857	HP-7005
LT	2.8L L4 DSL	33-2764		Touareg	4.2L V8 F/I	33-2857*	HP-7005
Lupo	1.0L L4 F/I	33-2159		Touareg	5.0L V10 DSL	33-2857*	
Lupo	1.2L L3 DSL	E-2864		Touareg	6.0L W12 F/I	33-2857*	
Lupo	1.4L L3 DSL	E-2864		Touran	1.6L L4 F/I - 102BHP	E-2014 ♦	
Lupo	1.4L L4 F/I - 60/105BHP	33-2159*		Touran	1.6L L4 F/I - 115BHP	33-2869 ♦	
Lupo	1.4L L4 F/I - 75/100BHP	33-2774		Touran	1.9L L4 DSL	33-2865 ♦	
Lupo	1.6L L4 F/I	33-2774	HP-1002	Touran	2.0L L4 DSL	33-2865 ♦	
Lupo	1.7L L4 DSL	E-2658		Touran	2.0L L4 F/I	E-2014 ♦	
Parati	1.0L L4 F/I - exc. Turbo	33-2221		Transporter T5	1.9L L4 DSL	33-2867	
Parati	1.0L L4 F/I - Turbo	33-2127		Transporter T5	2.0L L4 F/I	33-2867	
Parati	1.6L L4 F/I	33-2127		Transporter T5	2.5L L5 DSL	33-2867	
Parati	1.8L L4 F/I	33-2127		Transporter T5	3.2L V6 F/I	33-2867	HP-7005
Parati	1.9L L4 DSL	33-2127		Van	1.8L L4 F/I		HP-2005
Parati	2.0L L4 F/I	33-2127		<b>2004 VOLKSWAGEN</b>			
Passat	1.6L L4 F/I - 102BHP, from 3/05	E-2014 ♦		Beetle	1.4L L4 F/I	33-2774	
Passat	1.6L L4 F/I - 115BHP, from 3/05	33-2869 ♦		Beetle	1.6L L4 F/I	33-2128 ♦	
Passat	1.6L L4 F/I - To 2/05	33-2125 ♦		Beetle	1.8L L4 F/I	33-2128 ♦	HP-2005
Passat	1.8L L4 F/I	33-2125	HP-3001	Beetle	1.9L L4 DSL	33-2128	
Passat	1.9L L4 DSL - 3B Model	33-2125 ♦		Beetle	2.0L L4 F/I	33-2128 ♦	HP-2005
Passat	1.9L L4 DSL - 3C Model	33-2865 ♦		Beetle	2.3L V5 F/I	33-2128 ♦	
Passat	2.0L L4 DSL - 3B Model	33-2125 ♦		Bora	1.4L L4 F/I	33-2774 ♦	
Passat	2.0L L4 DSL - 3C Model	33-2865 ♦		Bora	1.6L L4 F/I - 101/110BHP	33-2128 ♦	
Passat	2.0L L4 F/I - 150BHP, 3C Model	E-2014 ♦		Bora	1.6L L4 F/I - 102/105BHP	33-2221 ♦	
Passat	2.0L L4 F/I - 200BHP, 3C Model	33-2888 ♦		Bora	1.8L L4 F/I	33-2128 ♦	
Passat	2.0L L4 F/I - 3B Model	33-2125 ♦		Bora	1.9L L4 DSL	33-2128 ♦	
Passat	2.0L L4 F/I - 3C Model		HP-7010	Bora	2.0L L4 F/I	33-2128 ♦	
Passat	2.3L V5 F/I	33-2125		Bora	2.8L V6 F/I	33-2128 ♦	
Passat	2.5L V6 DSL	33-2125		Caddy II	1.4L L4 F/I	E-1210	
Passat	2.8L V6 F/I	33-2125	HP-2004	Caddy II	1.9L L4 DSL	33-2649	
Passat	3.2L V6 F/I	33-2878		Caddy III	1.4L L4 F/I	33-2221 ♦	
Passat	3.6L V6 F/I	33-2878		Caddy III	1.6L L4 F/I	E-2014 ♦	
Passat	4.0L W8 F/I		HP-7005	Caddy III	1.9L L4 DSL	33-2865 ♦	
Pointer	1.8L L4 F/I		HP-2005	Caddy III	2.0L L4 DSL	E-2014	
Pointer GTI	2.0L L4 F/I		HP-2005	Derby	2.0L L4 F/I		HP-2005
Polo	1.2L L3 F/I - 54BHP	33-2830 ♦		Eurovan	2.5L L5 F/I		HP-3001
Polo	1.2L L3 F/I - 64BHP	33-2850 ♦		Golf	1.9L L4 DSL	33-2128	
Polo	1.4L L3 DSL	33-2830 ♦		Golf	2.0L L4 F/I	33-2128 ♦	HP-2005
Polo	1.4L L4 F/I - 75/101BHP, 86BHP Exc FSI	33-2221 ♦		Golf GTI	1.8L L4 F/I - US	33-2128 ♦	HP-2005
Polo	1.4L L4 F/I - 86BHP, FSi	33-2850 ♦		Golf GTI	2.8L V6 F/I	33-2128 ♦	
Polo	1.6L L4 F/I	33-2850	HP-1002	Golf IV	1.4L L4 F/I	33-2774 ♦	
Polo	1.8L L4 F/I	33-2830 ♦		Golf IV	1.6L L4 F/I - 16v	33-2221 ♦	
Polo	1.9L L4 DSL	33-2830 ♦		Golf IV	1.8L L4 F/I	33-2128 ♦	
				Golf IV	1.9L L4 DSL	33-2128 ♦	
				Golf IV	2.0L L4 F/I	33-2128 ♦	
				Golf IV	3.2L V6 F/I	33-2128 ♦	
				Golf IV GTI	1.8L L4 F/I	33-2128 ♦	
				Golf IV GTI	1.9L L4 DSL	33-2128 ♦	
				Golf Plus	2.0L L4 DSL	33-2865 ♦	
				Golf R32	3.2L V6 F/I	33-2128 ♦	
				Golf V	1.4L L4 F/I - 75BHP	33-2221	
				Golf V	1.4L L4 F/I - 90BHP	33-2850	

\*Indicates 2 filters required      ♦ - Intake kit available      Applications updated daily at [knfilters.com](http://knfilters.com) ®

**Partial Listing - Complete List of Vehicles and Applications at [knfilters.com](http://knfilters.com)**

# VOLKSWAGEN

# AIR & OIL FILTERS

Vehicle	Engine Type	Air Filter	Oil Filter	Vehicle	Engine Type	Air Filter	Oil Filter
<b>2004 VOLKSWAGEN</b>				<b>2004 VOLKSWAGEN</b>			
Golf V	1.6L L4 F/I - 102BHP	E-2014 ♦		Touareg	5.0L V10 DSL	33-2857*	
Golf V	1.6L L4 F/I - 115BHP	33-2869 ♦		Touareg	6.0L W12 F/I	33-2857*	
Golf V	1.9L L4 DSL	33-2865 ♦		Touran	1.6L L4 F/I - 102BHP	E-2014 ♦	
Golf V	2.0L L4 DSL - 75BHP	E-2014 ♦		Touran	1.6L L4 F/I - 115BHP	33-2869 ♦	
Golf V	2.0L L4 DSL - Exc., 75BHP	33-2865 ♦		Touran	1.9L L4 DSL	33-2865 ♦	
Golf V	2.0L L4 F/I		HP-7010	Touran	2.0L L4 DSL	33-2865 ♦	
Golf V	2.0L L4 F/I - 150BHP	E-2014 ♦	HP-7010	Touran	2.0L L4 F/I	E-2014 ♦	
Golf V	2.0L L4 F/I - 200BHP	33-2888 ♦	HP-7010	Transporter T5	1.9L L4 DSL	33-2867	
Golf V GTI	2.0L L4 F/I	33-2888 ♦	HP-7010	Transporter T5	2.0L L4 F/I	33-2867	
Jetta	1.8L L4 F/I	33-2128 ♦	HP-2005	Transporter T5	2.5L L5 DSL	33-2867	
Jetta	1.9L L4 DSL	33-2128		Transporter T5	3.2L V6 F/I	33-2867	HP-7005
Jetta	2.0L L4 F/I	33-2128 ♦	HP-2005	Van	1.8L L4 F/I		HP-2005
Jetta	2.8L V6 F/I	33-2128		<b>2003 VOLKSWAGEN</b>			
Jetta IV	1.6L L4 F/I - China Only, Engine Code ACR, ANL	33-2851		Beetle	1.4L L4 F/I	33-2774	
LT	2.3L L4 F/I	33-2764	HP-7008	Beetle	1.6L L4 F/I	33-2128 ♦	
LT	2.5L L5 DSL	33-2764		Beetle	1.8L L4 F/I	33-2128 ♦	HP-2005
LT	2.8L L4 DSL	33-2764		Beetle	1.9L L4 DSL	33-2128	
Lupo	1.0L L4 F/I	33-2159		Beetle	2.0L L4 F/I	33-2128 ♦	HP-2005
Lupo	1.2L L3 DSL	E-2864		Beetle	2.3L V5 F/I	33-2128 ♦	
Lupo	1.4L L3 DSL	E-2864		Bora	1.4L L4 F/I	33-2774 ♦	
Lupo	1.4L L4 F/I - 60/105BHP	33-2159* ♦		Bora	1.6L L4 F/I - 101/110BHP	33-2128 ♦	
Lupo	1.4L L4 F/I - 75/100BHP	33-2774 ♦		Bora	1.6L L4 F/I - 102/105BHP	33-2221 ♦	
Lupo	1.6L L4 F/I	33-2774 ♦	HP-1002	Bora	1.8L L4 F/I	33-2128 ♦	
Lupo	1.7L L4 DSL	E-2658		Bora	1.9L L4 DSL	33-2128 ♦	
Parati	1.0L L4 F/I - exc. Turbo	33-2221		Bora	2.0L L4 F/I	33-2128 ♦	
Parati	1.0L L4 F/I - Turbo	33-2127		Bora	2.3L V5 F/I	33-2128 ♦	
Parati	1.6L L4 F/I	33-2127		Bora	2.8L V6 F/I	33-2128 ♦	
Parati	1.8L L4 F/I	33-2127		Caddy II	1.4L L4 F/I	E-1210	
Parati	1.9L L4 DSL	33-2127		Caddy II	1.6L L4 F/I - Exc., Pickup	33-2649	
Parati	2.0L L4 F/I	33-2127		Caddy II	1.9L L4 DSL	33-2649	
Passat	1.6L L4 F/I	33-2125		Clasico	1.6L L4 F/I		HP-2005
Passat	1.8L L4 F/I	33-2125	HP-3001	Derby	2.0L L4 F/I		HP-2005
Passat	1.9L L4 DSL	33-2125		Eurovan	2.5L L5 F/I		HP-3001
Passat	2.0L L4 DSL - Non-US	33-2125		Golf	1.9L L4 DSL	33-2128	
Passat	2.0L L4 F/I	33-2125		Golf	2.0L L4 F/I - US	33-2128 ♦	HP-2005
Passat	2.3L V5 F/I	33-2125	HP-7005	Golf GTI	1.8L L4 F/I	33-2128 ♦	
Passat	2.5L V6 DSL	33-2125		Golf GTI	1.8L L4 F/I - US	33-2128	HP-2005
Passat	2.8L V6 F/I	33-2125		Golf GTI	2.8L V6 F/I	33-2128	
Passat	4.0L W8 F/I	33-2125	HP-7005	Golf IV	1.4L L4 F/I	33-2774 ♦	
Pointer	1.8L L4 F/I		HP-2005	Golf IV	1.6L L4 F/I - 16v	33-2221 ♦	
Pointer GTI	2.0L L4 F/I		HP-2005	Golf IV	1.6L L4 F/I - 8v	33-2128 ♦	
Polo	1.2L L3 F/I - 54BHP	33-2830 ♦		Golf IV	1.8L L4 F/I	33-2128 ♦	
Polo	1.2L L3 F/I - 64BHP	33-2850 ♦		Golf IV	1.9L L4 DSL	33-2128 ♦	
Polo	1.4L L3 DSL	33-2830 ♦		Golf IV	2.0L L4 F/I	33-2128 ♦	
Polo	1.4L L4 F/I - 75/101BHP, 86BHP Exc FSI	33-2221 ♦		Golf IV	2.3L L5 F/I	33-2128 ♦	
Polo	1.4L L4 F/I - 86BHP, FSi	33-2850 ♦		Golf IV	2.8L V6 F/I	33-2128 ♦	
Polo	1.6L L4 F/I	33-2850	HP-1002	Golf IV	3.2L V6 F/I	33-2128 ♦	
Polo	1.9L L4 DSL	33-2830 ♦		Golf IV GTI	1.8L L4 F/I	33-2128 ♦	
Polo	2.0L L4 F/I	33-2830	HP-2005	Golf IV GTI	1.9L L4 DSL	33-2128 ♦	
S320	3.2L L6 DSL - CDi	33-2158		Golf V	1.4L L4 F/I - 75BHP	33-2221	
Sharan	1.8L L4 F/I	33-2203	HP-2005	Golf V	1.4L L4 F/I - 90BHP	33-2850	
Sharan		33-2203	HP-7005	Golf V	1.6L L4 F/I - 115BHP	33-2869 ♦	
Sharan	1.9L L4 DSL	33-2203		Golf V	1.9L L4 DSL	33-2865 ♦	
Sharan	2.0L L4 F/I	33-2203		Golf V	2.0L L4 DSL - 75BHP	E-2014 ♦	
Sharan	2.8L V6 F/I	33-2203		Golf V	2.0L L4 DSL - Exc., 75BHP	33-2865 ♦	
Touareg	2.5L L5 DSL	33-2857		Jetta	1.8L L4 F/I	33-2128 ♦	HP-2005
Touareg	3.0L V6 DSL	33-2857		Jetta	1.9L L4 DSL	33-2128	
Touareg	3.2L V6 F/I	33-2857	HP-7005	Jetta	2.0L L4 F/I	33-2128 ♦	HP-2005
Touareg	4.2L V8 F/I	33-2857*	HP-7005	Jetta	2.8L V6 F/I	33-2128	
				Jetta IV	1.6L L4 F/I - China Only, Engine Code ACR, ANL	33-2851	

\*Indicates 2 filters required

♦ - Intake kit available

Applications updated daily at [knfilters.com](http://knfilters.com) ®

# AIR & OIL FILTERS

# VOLKSWAGEN

Vehicle	Engine Type	Air Filter	Oil Filter	Vehicle	Engine Type	Air Filter	Oil Filter
<b>2003 VOLKSWAGEN</b>				<b>2002 VOLKSWAGEN</b>			
LT	2.3L L4 F/I	33-2764	HP-7008	Beetle	1.6L L4 F/I	33-2128 ♦	
LT	2.5L L5 DSL	33-2764		Beetle	1.8L L4 F/I	33-2128 ♦	HP-2005
LT	2.8L L4 DSL	33-2764		Beetle	1.9L L4 DSL	33-2128	
Lupo	1.0L L4 F/I	33-2159		Beetle	2.0L L4 F/I	33-2128 ♦	HP-2005
Lupo	1.2L L3 DSL	E-2864		Beetle	2.3L V5 F/I	33-2128 ♦	
Lupo	1.4L L3 DSL	E-2864		Bora	1.4L L4 F/I	33-2774 ♦	
Lupo	1.4L L4 F/I - 60/105BHP	33-2159* ♦		Bora	1.6L L4 F/I - 101/110BHP	33-2128 ♦	
Lupo	1.4L L4 F/I - 75/100BHP	33-2774 ♦		Bora	1.6L L4 F/I - 102/105BHP	33-2221 ♦	
Lupo	1.6L L4 F/I	33-2774 ♦		Bora	1.8L L4 F/I	33-2128 ♦	
Lupo	1.7L L4 DSL	E-2658		Bora	1.9L L4 DSL	33-2128 ♦	
Passat	1.6L L4 F/I	33-2125		Bora	2.0L L4 F/I	33-2128 ♦	
Passat	1.8L L4 F/I	33-2125	HP-3001	Bora	2.3L V5 F/I	33-2128 ♦	
Passat	1.9L L4 DSL	33-2125		Bora	2.8L V6 F/I	33-2128 ♦	
Passat	2.0L L4 DSL	33-2125		Cabrio	2.0L L4 F/I	33-2069	HP-2005
Passat	2.0L L4 F/I	33-2125		Caddy II	1.4L L4 F/I	E-1210	
Passat	2.3L V5 F/I	33-2125	HP-7005	Caddy II	1.6L L4 F/I - Exc., Pickup	33-2649	
Passat	2.5L V6 DSL	33-2125		Caddy II	1.9L L4 DSL	33-2649	
Passat	2.8L V6 F/I	33-2125		Clasico	1.6L L4 F/I		HP-2005
Passat	4.0L W8 F/I	33-2125	HP-7005	Combi	1.8L L4 F/I		HP-2005
Pointer	1.8L L4 F/I		HP-2005	Derby	1.8L L4 F/I		HP-2005
Pointer	2.0L L4 F/I		HP-2005	Derby	2.0L L4 F/I		HP-2005
Polo	1.2L L3 F/I - 64BHP	33-2850 ♦		Eurovan	2.8L V6 F/I		HP-7005
Polo	1.4L L3 DSL	33-2830 ♦		Golf	1.9L L4 DSL	33-2128	
Polo	1.4L L4 F/I - 75/101BHP, 86BHP Exc FSI	33-2221 ♦		Golf	2.0L L4 F/I - US	33-2128 ♦	HP-2005
Polo	1.4L L4 F/I - 86BHP, FSi	33-2850 ♦		Golf GTI	1.8L L4 F/I - US	33-2128 ♦	HP-2005
Polo	1.6L L4 F/I	33-2850	HP-1002	Golf GTI	2.0L L4 F/I	33-2128	
Polo	1.9L L4 DSL	33-2830 ♦		Golf GTI	2.8L V6 F/I	33-2128	HP-7005
Polo	2.0L L4 F/I	33-2830	HP-2005	Golf IV	1.4L L4 F/I	33-2774 ♦	
S320	3.2L L6 DSL - CDi	33-2158		Golf IV	1.6L L4 F/I - 16v	33-2221 ♦	
Sedan City	1.6L H4 F/I		HP-2005	Golf IV	1.6L L4 F/I - 8v	33-2128 ♦	
Sharan	1.8L L4 F/I		HP-2005	Golf IV	1.8L L4 F/I	33-2128 ♦	
Sharan		33-2203	HP-2005	Golf IV	1.9L L4 DSL	33-2128 ♦	
Sharan		33-2203	HP-7005	Golf IV	2.0L L4 F/I	33-2128 ♦	
Sharan	1.9L L4 DSL	33-2203		Golf IV	2.3L L5 F/I	33-2128 ♦	
Sharan	2.0L L4 F/I	33-2203		Golf IV	2.8L V6 F/I	33-2128 ♦	HP-7005
Sharan	2.8L V6 F/I	33-2203		Golf IV	3.2L V6 F/I	33-2128 ♦	
Touareg	2.5L L5 DSL	33-2857		Golf IV GTI	1.8L L4 F/I	33-2128 ♦	
Touareg	3.0L V6 DSL	33-2857		Golf IV GTI	1.9L L4 DSL	33-2128 ♦	
Touareg	3.2L V6 F/I	33-2857	HP-7005	Jetta	1.8L L4 F/I	33-2128 ♦	HP-2005
Touareg	4.2L V8 F/I	33-2857*		Jetta	1.9L L4 DSL	33-2128	
Touareg	5.0L V10 DSL	33-2857*		Jetta	2.0L L4 F/I	33-2128 ♦	HP-2005
Touran	1.6L L4 F/I - 102BHP	E-2014 ♦		Jetta	2.8L V6 F/I	33-2128	HP-7005
Touran	1.6L L4 F/I - 115BHP, from 10/03	33-2869 ♦		Jetta IV	1.6L L4 F/I - China Only, Engine Code ACR, ANL	33-2851	
Touran	1.6L L4 F/I - 115BHP, To 9/03	33-2850 ♦		LT	2.3L L4 F/I	33-2764	HP-7008
Touran	1.9L L4 DSL	33-2865 ♦		LT	2.5L L5 DSL	33-2764	
Touran	2.0L L4 DSL	33-2865 ♦		LT	2.8L L4 DSL	33-2764	
Touran	2.0L L4 F/I	E-2014 ♦		Lupo	1.0L L4 F/I	33-2159	
Transporter T4	1.9L L4 DSL	33-2759		Lupo	1.2L L3 DSL	E-2864	
Transporter T4	2.0L L4 F/I	33-2759		Lupo	1.4L L3 DSL	E-2864	
Transporter T4	2.4L L5 DSL	33-2759		Lupo	1.4L L4 F/I - 60/105BHP	33-2159* ♦	
Transporter T4	2.5L L5 DSL	33-2759 ♦	HP-7005	Lupo	1.4L L4 F/I - 75/100BHP	33-2774 ♦	
Transporter T4	2.5L L5 F/I	33-2759		Lupo	1.6L L4 F/I	33-2774 ♦	
Transporter T4	2.8L V6 F/I	33-2759	HP-7005	Lupo	1.7L L4 DSL	E-2658	
Transporter T5	1.9L L4 DSL	33-2867		Passat	1.6L L4 F/I	33-2125	
Transporter T5	2.0L L4 F/I	33-2867		Passat	1.8L L4 F/I	33-2125	HP-2005
Transporter T5	2.5L L5 DSL	33-2867		Passat	1.9L L4 DSL	33-2125	
Transporter T5	3.2L V6 F/I	33-2867	HP-7005	Passat	2.0L L4 F/I	33-2125	
Van	1.8L L4 F/I		HP-2005	Passat	2.3L V5 F/I	33-2125	HP-7005
<b>2002 VOLKSWAGEN</b>				Passat	2.5L V6 DSL	33-2125	
Beetle	1.4L L4 F/I	33-2774		Passat	2.8L V6 F/I	33-2125	

\*Indicates 2 filters required

♦ - Intake kit available

Applications updated daily at [knfilters.com](http://knfilters.com) ®

Partial Listing - Complete List of Vehicles and Applications at [knfilters.com](http://knfilters.com)

# VOLKSWAGEN

# AIR & OIL FILTERS

Vehicle	Engine Type	Air Filter	Oil Filter	Vehicle	Engine Type	Air Filter	Oil Filter
<b>2002 VOLKSWAGEN</b>				<b>2001 VOLKSWAGEN</b>			
Passat	4.0L W8 F/I	33-2125	HP-7005	Golf IV	1.6L L4 F/I - 16v	33-2221 ♦	
Pointer	1.8L L4 F/I		HP-2005	Golf IV	1.6L L4 F/I - 8v	33-2128 ♦	
Pointer	2.0L L4 F/I		HP-2005	Golf IV	1.8L L4 F/I	33-2128 ♦	
Polo	1.2L L3 F/I - 54BHP	33-2830 ♦		Golf IV	1.9L L4 DSL	33-2128 ♦	
Polo	1.2L L3 F/I - 64BHP	33-2850 ♦		Golf IV	2.0L L4 F/I	33-2128 ♦	
Polo	1.4L L3 DSL	33-2830 ♦		Golf IV	2.3L L5 F/I	33-2128 ♦	
Polo	1.4L L4 F/I - 75/101BHP, 86BHP Exc FSI	33-2221 ♦		Golf IV	2.8L V6 F/I	33-2128 ♦	HP-7005
Polo	1.4L L4 F/I - 86BHP, FSi	33-2850 ♦		Golf IV GTI	1.8L L4 F/I	33-2128 ♦	
Polo	1.6L L4 F/I - Type 6K	33-2649		Golf IV GTI	1.9L L4 DSL	33-2128 ♦	
Polo	1.6L L4 F/I - Type 9N	33-2850		Jetta	1.8L L4 F/I	33-2128 ♦	HP-2005
Polo	1.9L L4 DSL	33-2830		Jetta	1.9L L4 DSL	33-2128	
Polo	2.0L L4 F/I	33-2830		Jetta	2.0L L4 F/I	33-2128 ♦	HP-2005
S320	3.2L L6 DSL - CDi	33-2158		Jetta	2.8L V6 F/I	33-2128	HP-7005
Sedan City	1.6L H4 F/I		HP-2005	Jetta IV	1.6L L4 F/I - China Only, Engine Code ACR, ANL	33-2851	
Sharan	1.8L L4 F/I		HP-2005	LT	2.3L L4 F/I	33-2764	HP-7008
		33-2203	HP-2005	LT	2.5L L5 DSL	33-2764	
		33-2203	HP-7005	LT	2.8L L4 DSL	33-2764	
Sharan	1.9L L4 DSL	33-2203		Lupo	1.0L L4 F/I	33-2159* ♦	
Sharan	2.0L L4 F/I	33-2203		Lupo	1.2L L3 DSL	E-2864	
Sharan	2.8L V6 F/I	33-2203		Lupo	1.4L L3 DSL	E-2864	
Touareg	3.2L V6 F/I	33-2857	HP-7005	Lupo	1.4L L4 F/I - 60/105BHP	33-2159* ♦	
Touareg	4.2L V8 F/I	33-2857*		Lupo	1.4L L4 F/I - 75/100BHP	33-2774 ♦	
Touareg	5.0L V10 DSL	33-2857*		Lupo	1.6L L4 F/I	33-2774 ♦	
Transporter T4	1.9L L4 DSL	33-2759		Lupo	1.7L L4 DSL	E-2658	
Transporter T4	2.0L L4 F/I	33-2759		Passat	1.6L L4 F/I	33-2125	
Transporter T4	2.4L L5 DSL	33-2759		Passat	1.8L L4 F/I	33-2125	HP-3001
Transporter T4	2.5L L5 DSL	33-2759 ♦		Passat	1.9L L4 DSL	33-2125	
Transporter T4	2.5L L5 F/I	33-2759		Passat	2.0L L4 F/I	33-2125	
Transporter T4	2.8L V6 F/I	33-2759	HP-7005	Passat	2.3L V5 F/I	33-2125	HP-7005
Van	1.8L L4 F/I		HP-2005	Passat	2.5L V6 DSL	33-2125	
<b>2001 VOLKSWAGEN</b>				Passat	2.8L V6 F/I	33-2125	
Beetle	1.4L L4 F/I	33-2774		Passat	4.0L W8 F/I	33-2125	
Beetle	1.6L L4 F/I	33-2128 ♦		Pointer	1.8L L4 F/I		HP-2005
Beetle	1.8L L4 F/I	33-2128 ♦	HP-2005	Pointer	2.0L L4 F/I		HP-2005
Beetle	1.9L L4 DSL	33-2128		Polo	1.0L L4 F/I	33-2159	
Beetle	2.0L L4 F/I	33-2128 ♦	HP-2005	Polo	1.2L L3 F/I - 64BHP	33-2850 ♦	
Beetle	2.3L V5 F/I	33-2128 ♦		Polo	1.4L L3 DSL - from 10/01	33-2830 ♦	
Beetle	3.2L V6 F/I	33-2128		Polo	1.4L L3 DSL - To 9/01	E-2864 ♦	
Bora	1.4L L4 F/I	33-2774 ♦		Polo	1.4L L4 F/I - Type 6K 60BHP	E-1210 ♦	
Bora	1.6L L4 F/I - 101/110BHP	33-2128 ♦		Polo	1.4L L4 F/I - Type 6K 75BHP, Type 6N2 75/101 BHP	33-2774 ♦	
Bora	1.6L L4 F/I - 102/105BHP	33-2221 ♦		Polo	1.4L L4 F/I - Type 6N2 60BHP	33-2159* ♦	
Bora	1.8L L4 F/I	33-2128 ♦		Polo	1.4L L4 F/I - Type 6N2, 54BHP	E-2864 ♦	
Bora	1.9L L4 DSL	33-2128 ♦		Polo	1.4L L4 F/I - Type 9N 75/101BHP, 86BHP Exc FSI	33-2221 ♦	
Bora	2.0L L4 F/I	33-2128 ♦		Polo	1.6L L4 F/I - Type 6K	33-2649 ♦	
Bora	2.3L V5 F/I	33-2128 ♦		Polo	1.6L L4 F/I - Type 6N	33-2774 ♦	
Bora	2.8L V6 F/I	33-2128 ♦		Polo	1.7L L4 DSL	E-2864	
Cabrio	2.0L L4 F/I	33-2069	HP-2005	Polo	1.9L L4 DSL - Type 6K, TDi	33-2172	
Caddy II	1.4L L4 F/I	E-1210		Polo	1.9L L4 DSL - Type 6N, Type 6K SDi	E-2864	
Caddy II	1.6L L4 F/I - Exc., Pickup	33-2649		Polo	1.9L L4 DSL - Type 9N	33-2830	
Caddy II	1.9L L4 DSL	33-2649		S320	3.2L L6 DSL - CDi	33-2158	
Clasico	1.6L L4 F/I		HP-2005	Sedan City	1.6L H4 F/I		HP-2005
Combi	1.8L L4 F/I		HP-2005	Sharan	1.8L L4 F/I	33-2203	HP-7005
Derby	1.8L L4 F/I		HP-2005	Sharan	1.9L L4 DSL	33-2203	
Eurovan	2.8L V6 F/I		HP-7005	Sharan	2.0L L4 F/I	33-2203	
Golf	1.8L L4 F/I - US	33-2128 ♦	HP-2005	Sharan	2.8L V6 F/I	33-2203	
Golf	1.9L L4 DSL	33-2128					
Golf	2.0L L4 F/I	33-2128 ♦	HP-2005				
Golf GTI	1.8L L4 F/I - US	33-2128 ♦	HP-2005				
Golf GTI	2.0L L4 F/I	33-2128	HP-2005				
Golf GTI	2.8L V6 F/I	33-2128	HP-7005				
Golf IV	1.4L L4 F/I	33-2774 ♦					

\*Indicates 2 filters required

♦ - Intake kit available

Applications updated daily at [knfilters.com](http://knfilters.com) ®

# AIR & OIL FILTERS

# VOLKSWAGEN

Vehicle	Engine Type	Air Filter	Oil Filter	Vehicle	Engine Type	Air Filter	Oil Filter
<b>2001 VOLKSWAGEN</b>				<b>2000 VOLKSWAGEN</b>			
Sharon	1.8L L4 F/I		HP-2005	Lupo	1.0L L4 F/I - from 8/00	33-2159* ♦	
Transporter T4	1.9L L4 DSL	33-2759		Lupo	1.0L L4 F/I - to 7/00	E-1210 ♦	
Transporter T4	2.0L L4 F/I	33-2759		Lupo	1.2L L3 DSL	E-2864	
Transporter T4	2.4L L5 DSL	33-2759		Lupo	1.4L L3 DSL	E-2864	
Transporter T4	2.5L L5 DSL	33-2759 ♦		Lupo	1.4L L4 F/I - 60BHP	33-2159* ♦	
Transporter T4	2.5L L5 F/I	33-2759		Lupo	1.4L L4 F/I - 75/100BHP	33-2774 ♦	
Transporter T4	2.8L V6 F/I	33-2759	HP-7005	Lupo	1.6L L4 F/I	33-2774 ♦	
Van	1.8L L4 F/I		HP-2005	Lupo	1.7L L4 DSL	E-2658	
<b>2000 VOLKSWAGEN</b>				Passat	1.6L L4 F/I	33-2125	
Beetle	1.6L L4 F/I	33-2128 ♦		Passat	1.8L L4 F/I	33-2125 ♦	HP-3001
Beetle	1.8L L4 F/I	33-2128	HP-2005	Passat	1.9L L4 DSL	33-2125 ♦	
Beetle	1.9L L4 DSL	33-2128		Passat	2.0L L4 F/I	33-2125	
Beetle	2.0L L4 F/I	33-2128 ♦	HP-2005	Passat	2.3L V5 F/I	33-2125 ♦	HP-7005
Beetle	2.3L V5 F/I	33-2128		Passat	2.5L V6 DSL	33-2125	
Beetle	3.2L V6 F/I	33-2128		Passat	2.8L V6 F/I	33-2125 ♦	
Bora	1.4L L4 F/I	33-2774 ♦		Pointer	1.8L L4 F/I		HP-2005
Bora	1.6L L4 F/I - 101/110BHP	33-2128 ♦		Pointer	2.0L L4 F/I		HP-2005
Bora	1.6L L4 F/I - 102/105BHP, from 10/00	33-2221 ♦		Polo	1.0L L4 F/I	33-2159 ♦	
Bora	1.6L L4 F/I - 102/105BHP, to 9/00	33-2774 ♦		Polo	1.4L L3 DSL	E-2864 ♦	
Bora	1.8L L4 F/I	33-2128 ♦		Polo	1.4L L4 F/I - Type 6K 60BHP	E-1210 ♦	
Bora	1.9L L4 DSL	33-2128 ♦		Polo	1.4L L4 F/I - Type 6K 75BHP, Type 6N2 75/101 BHP	33-2774 ♦	
Bora	2.0L L4 F/I	33-2128 ♦		Polo	1.4L L4 F/I - Type 6N2 60BHP	33-2159* ♦	
Bora	2.3L V5 F/I	33-2128 ♦		Polo	1.4L L4 F/I - Type 6N2, 54BHP	E-2864 ♦	
Bora	2.8L V6 F/I	33-2128 ♦		Polo	1.6L L4 F/I - Type 6K	33-2649 ♦	
Cabrio	2.0L L4 F/I	33-2069	HP-2005	Polo	1.6L L4 F/I - Type 6N	33-2774 ♦	
Caddy II	1.4L L4 F/I	E-1210		Polo	1.7L L4 DSL	E-2864	
Caddy II	1.6L L4 F/I - Exc., Pickup	33-2649		Polo	1.9L L4 DSL - Type 6K, TDi	33-2172	
Caddy II	1.7L L4 DSL	33-2649		Polo	1.9L L4 DSL - Type 6N, Type 6K SDi	E-2864	
Caddy II	1.9L L4 DSL	33-2649		S320	3.2L L6 DSL - CDi	33-2158	
Clasico	1.6L L4 F/I		HP-2005	Sedan City	1.6L H4 F/I		HP-2005
Combi	1.8L L4 F/I		HP-2005	Sharan	1.8L L4 F/I		HP-7005
Derby	1.8L L4 F/I		HP-2005	Sharan	1.8L L4 F/I - from 4/00	33-2203	HP-7005
Eurovan	2.8L V6 F/I	33-2759	HP-7005	Sharan	1.8L L4 F/I - to 3/00	33-2749	HP-7005
Golf	1.8L L4 F/I	33-2128	HP-2005	Sharan	1.9L L4 DSL - from 4/00	33-2203	
Golf	1.9L L4 DSL	33-2128		Sharan	1.9L L4 DSL - to 3/00	33-2749	
Golf	2.0L L4 F/I	33-2128 ♦	HP-2005	Sharan	2.0L L4 F/I - from 4/00	33-2203	
Golf GTI	1.8L L4 F/I	33-2128	HP-2005	Sharan	2.0L L4 F/I - to 3/00	33-2749	
Golf GTI	2.0L L4 F/I	33-2128	HP-2005	Sharan	2.8L V6 F/I - from 4/00	33-2203	
Golf GTI	2.8L V6 F/I	33-2128	HP-7005	Sharan	2.8L V6 F/I - to 3/00	33-2749	
Golf IV	1.0L L4 F/I	33-2159*		Sharon	1.8L L4 F/I		HP-7005
Golf IV	1.4L L4 F/I	33-2774 ♦		Sharon	1.9L L4 DSL	33-2759	HP-2005
Golf IV	1.6L L4 F/I - 16v, from 10/00	33-2221 ♦		Transporter T4	2.0L L4 F/I	33-2759	
Golf IV	1.6L L4 F/I - 16v, to 9/00	33-2774 ♦		Transporter T4	2.4L L5 DSL	33-2759	
Golf IV	1.6L L4 F/I - 8v	33-2128 ♦		Transporter T4	2.5L L5 DSL	33-2759 ♦	
Golf IV	1.8L L4 F/I	33-2128 ♦		Transporter T4	2.5L L5 F/I	33-2759	
Golf IV	1.9L L4 DSL	33-2128 ♦		Transporter T4	2.8L V6 F/I	33-2759	HP-7005
Golf IV	2.0L L4 F/I	33-2128 ♦		Van	1.8L L4 F/I		HP-2005
Golf IV	2.3L L5 F/I	33-2128 ♦		<b>1999 VOLKSWAGEN</b>			
Golf IV	2.8L V6 F/I	33-2128 ♦	HP-7005	Beetle	1.6L L4 F/I	33-2128	
Golf IV GTI	1.8L L4 F/I	33-2128 ♦		Beetle	1.8L L4 F/I	33-2128	HP-2005
Jetta	1.8L L4 F/I	33-2128 ♦	HP-2005	Beetle	1.9L L4 DSL	33-2128	
Jetta	1.9L L4 DSL	33-2128		Beetle	2.0L L4 F/I	33-2128 ♦	HP-2005
Jetta	2.0L L4 F/I	33-2128 ♦	HP-2005	Bora	1.6L L4 F/I	33-2128 ♦	
Jetta	2.8L V6 F/I	33-2128	HP-7005	Bora	1.8L L4 F/I	33-2128 ♦	
Jetta IV	1.6L L4 F/I - China Only, Engine Code ACR, ANL	33-2851		Bora	1.9L L4 DSL	33-2128 ♦	
LT	2.3L L4 F/I	33-2764	HP-7008	Bora	2.0L L4 F/I	33-2128 ♦	
LT	2.5L L5 DSL	33-2764		Bora	2.3L V5 F/I	33-2128 ♦	
LT	2.8L L4 DSL	33-2764		Bora	2.8L V6 F/I	33-2128 ♦	

\*Indicates 2 filters required    ♦ - Intake kit available    Applications updated daily at [knfilters.com](http://knfilters.com) ®

Partial Listing - Complete List of Vehicles and Applications at [knfilters.com](http://knfilters.com)

# VOLKSWAGEN

# AIR & OIL FILTERS

Vehicle	Engine Type	Air Filter	Oil Filter	Vehicle	Engine Type	Air Filter	Oil Filter
<b>1999 VOLKSWAGEN</b>				<b>1999 VOLKSWAGEN</b>			
Cabrio	2.0L L4 F/I	33-2069	HP-2005	Polo	1.6L L4 F/I - Type 6N, Exc., 75BHP	33-2774 ♦	
Caddy II	1.4L L4 F/I	E-1210		Polo	1.7L L4 DSL - from 8/99	E-2864	
Caddy II	1.6L L4 F/I - Exc., Pickup	33-2649		Polo	1.7L L4 DSL - to 7/99	E-2658	
Caddy II	1.7L L4 DSL	33-2649		Polo	1.8L L4 F/I	33-2649	
Caddy II	1.9L L4 DSL	33-2649		Polo	1.9L L4 DSL - from 8/99, Type 6K, TDi	33-2172	
Clasico	1.6L L4 F/I		HP-2005	Polo	1.9L L4 DSL - from 8/99, Type 6N, Type 6K SDi	E-2864	
Combi	1.8L L4 F/I		HP-2005	Polo	1.9L L4 DSL - to 7/99, SDi, TDi	33-2649	
Derby	1.8L L4 F/I		HP-2005	Polo	1.9L L4 DSL - to 7/99, Type 6N, exc. SDi, TDi	E-2658	
Eurovan	2.8L V6 F/I	33-2759	HP-7005	S320	3.2L L6 DSL - CDi	33-2158	
Golf	1.9L L4 DSL	33-2128		Sedan City	1.6L H4 F/I		HP-2005
Golf	2.0L L4 F/I	33-2128	HP-2005	Sharan	1.8L L4 F/I	33-2749	
Golf GTI	2.0L L4 F/I	33-2128	HP-2005	Sharan	1.9L L4 DSL	33-2749	
Golf GTI	2.8L V6 F/I	33-2128	HP-7005	Sharan	2.0L L4 F/I	33-2749	
Golf III	1.4L L4 F/I	33-2069		Sharan	2.8L V6 F/I	33-2749	HP-7005
Golf III	1.6L L4 F/I - 101BHP	33-2069		Transporter T4	1.9L L4 DSL	33-2759	
Golf III	1.6L L4 F/I - 75BHP	E-1210		Transporter T4	2.0L L4 F/I	33-2759	
Golf III	1.8L L4 F/I	33-2069	HP-2005	Transporter T4	2.4L L5 DSL	33-2759	
Golf III	1.9L L4 DSL	33-2069		Transporter T4	2.5L L5 DSL	33-2759 ♦	
Golf III	2.0L L4 F/I	33-2069	HP-2005	Transporter T4	2.5L L5 F/I	33-2759	
Golf III	2.9L V6 F/I	33-2069 ♦		Transporter T4	2.8L V6 F/I	33-2759	HP-7005
Golf IV	1.4L L4 F/I	33-2774 ♦		<b>1998 VOLKSWAGEN</b>			
Golf IV	1.6L L4 F/I	33-2128 ♦		Beetle	1.9L L4 DSL	33-2128	
Golf IV	1.8L L4 F/I	33-2128 ♦		Beetle	2.0L L4 F/I	33-2128 ♦	HP-2005
Golf IV	1.9L L4 DSL	33-2128 ♦		Bora	1.6L L4 F/I	33-2128 ♦	
Golf IV	2.0L L4 F/I	33-2128 ♦	HP-2005	Bora	1.8L L4 F/I	33-2128 ♦	
Golf IV	2.3L L5 F/I	33-2128 ♦		Bora	1.9L L4 DSL	33-2128 ♦	
Golf IV	2.8L V6 F/I	33-2128 ♦	HP-7005	Bora	2.0L L4 F/I	33-2128 ♦	
Golf IV GTI	1.8L L4 F/I	33-2128 ♦		Bora	2.3L V5 F/I	33-2128 ♦	
Jetta	1.9L L4 DSL	33-2128		Cabrio	2.0L L4 F/I		HP-2005
Jetta	2.0L L4 F/I		HP-2005	Caddy II	1.4L L4 F/I	E-1210	
Jetta	2.0L L4 F/I - ABA Eng.	33-2069	HP-2005	Caddy II	1.6L L4 F/I - Exc., Pickup	33-2649	
Jetta	2.0L L4 F/I - AEG Eng.	33-2128	HP-2005	Caddy II	1.7L L4 DSL	33-2649	
Jetta	2.8L V6 F/I - AAA Eng.		HP-7005	Caddy II	1.9L L4 DSL	33-2649	
Jetta	2.8L V6 F/I - AFP Eng.	33-2128	HP-7005	Clasico	1.6L L4 F/I		HP-2005
Jetta IV	1.6L L4 F/I - China Only, Engine Code ACR, ANL	33-2851		Combi	1.8L L4 F/I		HP-2005
LT	2.3L L4 F/I	33-2764	HP-7008	Derby	1.8L L4 F/I		HP-2005
LT	2.5L L5 DSL	33-2764		Eurovan	2.8L V6 F/I		HP-7005
LT	2.8L L4 DSL	33-2764		EuroVan	2.4L L5 DSL		HP-3001
Lupo	1.0L L4 F/I	E-1210 ♦		Golf	1.8L L4 F/I	33-2128	HP-2005
Lupo	1.2L L3 DSL	E-2864		Golf	1.9L L4 DSL		HP-3001
Lupo	1.4L L3 DSL	E-2864		Golf	2.0L L4 F/I	33-2069	HP-2005
Lupo	1.4L L4 F/I	33-2774 ♦		Golf GTI	2.8L V6 F/I	33-2069	HP-7005
Lupo	1.7L L4 DSL	E-2658		Golf III	1.4L L4 F/I	33-2069	
Passat	1.6L L4 F/I	33-2125		Golf III	1.6L L4 F/I - 101BHP	33-2069	
Passat	1.8L L4 F/I	33-2125 ♦	HP-3001	Golf III	1.6L L4 F/I - 75BHP	E-1210	
Passat	1.9L L4 DSL	33-2125 ♦		Golf III	1.8L L4 F/I	33-2069	HP-2005
Passat	2.3L V5 F/I	33-2125 ♦	HP-7005	Golf III	1.9L L4 DSL	33-2069	
Passat	2.5L V6 DSL	33-2125		Golf III	2.0L L4 F/I	33-2069	HP-2005
Passat	2.8L V6 F/I	33-2125 ♦		Golf III	2.9L V6 F/I	33-2069 ♦	
Pointer	1.8L L4 F/I		HP-2005	Golf IV	1.4L L4 F/I	33-2774 ♦	
Polo	1.0L L4 F/I - from 8/99	33-2159 ♦		Golf IV	1.6L L4 F/I	33-2128 ♦	
Polo	1.0L L4 F/I - to 7/99	E-1210 ♦		Golf IV	1.8L L4 F/I	33-2128 ♦	HP-2005
Polo	1.4L L3 DSL	E-2864 ♦		Golf IV	1.9L L4 DSL	33-2128 ♦	
Polo	1.4L L4 F/I - Type 6K 60BHP, Type 6N 8v	E-1210 ♦		Golf IV	2.0L L4 F/I	33-2128 ♦	HP-2005
Polo	1.4L L4 F/I - Type 6K 75BHP, Type 6N 16v, Type 6N2 75/101 BHP	33-2774 ♦		Golf IV	2.3L L5 F/I	33-2128 ♦	
Polo	1.4L L4 F/I - Type 6N2 60BHP	33-2159 ♦		Golf IV	2.8L V6 F/I		HP-7005
Polo	1.4L L4 F/I - Type 6N2, 54BHP	E-2864 ♦		Golf IV GTI	1.8L L4 F/I	33-2128	HP-2005
Polo	1.6L L4 F/I - Type 6K	33-2649 ♦		Jetta	1.9L L4 DSL	33-2069	HP-3001
				Jetta	2.0L L4 F/I	33-2069	HP-2005

\*Indicates 2 filters required      ♦ - Intake kit available      Applications updated daily at [knfilters.com](http://knfilters.com) ®

# AIR & OIL FILTERS

# VOLKSWAGEN

Vehicle	Engine Type	Air Filter	Oil Filter	Vehicle	Engine Type	Air Filter	Oil Filter
<b>1998 VOLKSWAGEN</b>				<b>1997 VOLKSWAGEN</b>			
Jetta	2.8L V6 F/I	33-2069	HP-7005	Golf GTI	2.8L V6 F/I	33-2069	HP-7005
Jetta III	1.6L L4 F/I - China Only, Engine Code ACR, ANL	33-2851		Golf III	1.4L L4 F/I	33-2069	
Jetta IV	1.6L L4 F/I - China Only, Engine Code ACR, ANL	33-2851		Golf III	1.6L L4 F/I - 101BHP	33-2069	
LT	2.3L L4 F/I	33-2764	HP-7008	Golf III	1.6L L4 F/I - 75BHP	E-1210	
LT	2.5L L5 DSL	33-2764		Golf III	1.8L L4 F/I	33-2069	HP-2005
LT	2.8L L4 DSL	33-2764		Golf III	1.9L L4 DSL	33-2069 ♦	HP-3001
Lupo	1.0L L4 F/I	E-1210 ♦		Golf III	2.0L L4 F/I	33-2069 ♦	HP-2005
Lupo	1.4L L4 F/I	33-2774		Golf III	2.8L V6 F/I	33-2069 ♦	HP-7005
Lupo	1.7L L4 DSL	E-2658		Golf III	2.9L V6 F/I	33-2069 ♦	
Passat	1.6L L4 F/I	33-2125		Golf III GTI	2.0L L4 F/I	33-2069 ♦	HP-2005
Passat	1.8L L4 F/I	33-2125 ♦	HP-3001	Golf IV	1.4L L4 F/I	33-2774 ♦	
Passat	1.9L L4 DSL	33-2125 ♦		Golf IV	1.6L L4 F/I	33-2128 ♦	
Passat	2.3L V5 F/I	33-2125 ♦	HP-7005	Golf IV	1.8L L4 F/I	33-2128 ♦	
Passat	2.5L V6 DSL	33-2125		Golf IV	1.9L L4 DSL	33-2128 ♦	
Passat	2.8L V6 F/I	33-2125 ♦		Golf IV	2.3L L5 F/I	33-2128 ♦	
Pointer	1.8L L4 F/I		HP-2005	Golf IV	2.8L V6 F/I		HP-7005
Polo	1.0L L4 F/I	E-1210 ♦		Golf IV GTI	1.8L L4 F/I	33-2128	
Polo	1.4L L4 F/I - Type 6K 60BHP, Type 6N 8v	E-1210 ♦		Jetta	1.8L L4 F/I	33-2069	
Polo	1.4L L4 F/I - Type 6N 16v	33-2774 ♦		Jetta	1.9L L4 DSL	33-2069	HP-3001
Polo	1.6L L4 F/I - Type 6K	33-2649 ♦		Jetta	2.0L L4 F/I	33-2069	HP-2005
Polo	1.6L L4 F/I - Type 6N, 75BHP	E-1210 ♦		Jetta	2.8L V6 F/I	33-2069	HP-7005
Polo	1.6L L4 F/I - Type 6N, Exc., 75BHP	33-2774 ♦		Jetta III	1.6L L4 F/I - China Only, Engine Code ACR, ANL	33-2851	
Polo	1.7L L4 DSL	E-2658		LT	2.3L L4 F/I	33-2764	HP-7008
Polo	1.8L L4 F/I	33-2649		LT	2.5L L5 DSL	33-2764	
Polo	1.9L L4 DSL - SDi, TDi	33-2649		LT	2.8L L4 DSL	33-2764	
Polo	1.9L L4 DSL - Type 6N, exc. SDi, TDi	E-2658		Passat	1.6L L4 F/I	33-2125	
Sedan City	1.6L H4 F/I		HP-2005	Passat	1.8L L4 F/I - 35i model	33-2029 ♦	
Sharan	1.8L L4 F/I	33-2749		Passat	1.8L L4 F/I - 3B Model	33-2125 ♦	
Sharan	1.9L L4 DSL	33-2749		Passat	1.9L L4 DSL	33-2029	HP-3001
Sharan	2.0L L4 F/I	33-2749		Passat	1.9L L4 DSL - 35i model	33-2029 ♦	HP-3001
Sharan	2.8L V6 F/I	33-2749	HP-7005	Passat	1.9L L4 DSL - 3B Model	33-2125 ♦	HP-3001
Transporter T4	1.9L L4 DSL	33-2759		Passat	2.0L L4 F/I	33-2029	
Transporter T4	2.0L L4 F/I	33-2759		Passat	2.3L V5 F/I	33-2125 ♦	HP-7005
Transporter T4	2.4L L5 DSL	33-2759		Passat	2.8L V6 F/I	33-2029	HP-7005
Transporter T4	2.5L L5 DSL	33-2759 ♦		Passat	2.8L V6 F/I - 174BHP	33-2029 ♦	HP-7005
Transporter T4	2.5L L5 F/I	33-2759		Passat	2.8L V6 F/I - Exc., 174BHP	33-2125 ♦	HP-7005
Transporter T4	2.8L V6 F/I	33-2759	HP-7005	Passat	2.9L V6 F/I	33-2029	HP-7005
Vento	1.4L L4 F/I	33-2069		Polo	1.0L L4 F/I	E-1210 ♦	
Vento	1.6L L4 F/I - 101BHP	33-2069		Polo	1.4L L4 F/I - Type 6K 60BHP, Type 6N 8v	E-1210 ♦	
Vento	1.8L L4 F/I	33-2069		Polo	1.4L L4 F/I - Type 6N 16v	33-2774 ♦	
Vento	1.9L L4 DSL	33-2069		Polo	1.6L L4 F/I - Type 6K	33-2649 ♦	
Vento	2.0L L4 F/I	33-2069		Polo	1.6L L4 F/I - Type 6N, 75BHP	E-1210 ♦	
Vento	2.8L V6 F/I	33-2069 ♦	HP-7005	Polo	1.7L L4 DSL	E-2658	
<b>1997 VOLKSWAGEN</b>				Polo	1.8L L4 F/I	33-2649	
Cabrio	2.0L L4 F/I	33-2069	HP-2005	Polo	1.9L L4 DSL - SDi, TDi	33-2649	
Caddy II	1.4L L4 F/I	E-1210		Polo	1.9L L4 DSL - Type 6N, exc. SDi, TDi	E-2658	
Caddy II	1.6L L4 F/I - Exc., Pickup	33-2649		Santana	2.3L V5 F/I	33-2675	
Caddy II	1.7L L4 DSL	33-2649		Sedan City	1.6L H4 F/I		HP-2005
Caddy II	1.9L L4 DSL	33-2649		Sharan	1.8L L4 F/I	33-2749	
Clasico	1.6L L4 F/I		HP-2005	Sharan	1.9L L4 DSL	33-2749	
Combi	1.8L L4 F/I		HP-2005	Sharan	2.0L L4 F/I	33-2749	
Derby	1.8L L4 F/I		HP-2005	Sharan	2.8L V6 F/I	33-2749	HP-7005
Eurovan	2.8L V6 F/I	33-2759	HP-7005	Taro	2.4L L4 DSL	E-2487	
EuroVan	2.4L L5 DSL		HP-3001	Taro	2.4L L4 F/I	33-2050-1	
Golf	1.8L L4 F/I	33-2069	HP-2005	Transporter T4	1.9L L4 DSL	33-2759	
Golf	1.9L L4 DSL	33-2069	HP-3001	Transporter T4	2.0L L4 F/I	33-2759	
Golf	2.0L L4 F/I	33-2069	HP-2005	Transporter T4	2.4L L5 DSL	33-2759	
				Transporter T4	2.5L L5 DSL	33-2759 ♦	

\*Indicates 2 filters required

♦ - Intake kit available

Applications updated daily at [knfilters.com](http://knfilters.com) ®

Partial Listing - Complete List of Vehicles and Applications at [knfilters.com](http://knfilters.com)

# VOLKSWAGEN

# AIR & OIL FILTERS

Vehicle	Engine Type	Air Filter	Oil Filter
<b>1997 VOLKSWAGEN</b>			
Transporter T4	2.5L L5 F/I	33-2759	
Transporter T4	2.8L V6 F/I	33-2759	HP-7005
Vento	1.4L L4 F/I	33-2069	
Vento	1.4L L4 F/I - CL, GL, Round Filter	E-1210	
Vento	1.6L L4 F/I - 101BHP	33-2069	
Vento	1.8L L4 F/I	33-2069	
Vento	1.9L L4 DSL	33-2069	
Vento	2.0L L4 F/I	33-2069	
Vento	2.8L V6 F/I	33-2069 ♦	HP-7005

Vehicle	Engine Type	Air Filter	Oil Filter
<b>1996 VOLKSWAGEN</b>			
Cabrio	2.0L L4 F/I	33-2069	HP-2005
Caddy II	1.6L L4 F/I - Exc., Pickup	33-2649	
Caddy II	1.9L L4 DSL	33-2649	
Clasico	1.6L L4 F/I		HP-2005
Combi	1.8L L4 F/I		HP-2005
Derby	1.8L L4 F/I		HP-2005
Eurovan	2.5L L5 F/I		HP-3001
EuroVan	2.4L L5 DSL		HP-3001
Golf	1.8L L4 F/I	33-2069	HP-2005
Golf	1.9L L4 DSL	33-2069	HP-3001
Golf	2.0L L4 F/I	33-2069	HP-2005
Golf GTI	2.8L V6 F/I	33-2069	
Golf III	1.4L L4 F/I	33-2069	
Golf III	1.6L L4 F/I - 101BHP	33-2069	
Golf III	1.6L L4 F/I - 75BHP	E-1210	
Golf III	1.8L L4 F/I	33-2069	HP-2005
Golf III	1.9L L4 DSL	33-2069 ♦	HP-3001
Golf III	2.0L L4 F/I	33-2069 ♦	HP-2005
Golf III	2.8L V6 F/I	33-2069 ♦	HP-7005
Golf III	2.9L V6 F/I	33-2069 ♦	
Golf III GTI	2.0L L4 F/I	33-2069 ♦	HP-2005
Jetta	1.9L L4 DSL		HP-3001
Jetta	2.0L L4 F/I	33-2069	HP-2005
Jetta	2.8L V6 F/I	33-2069	
Jetta III	1.6L L4 F/I - China Only, Engine Code ACR, ANL	33-2851	
LT	2.4L L4 F/I	38-9027	
LT	2.4L L6 DSL	38-9027	
Passat	1.6L L4 F/I - from 9/96	33-2125	
Passat	1.6L L4 F/I - to 8/96	33-2029	
Passat	1.8L L4 F/I - 35i model	33-2029 ♦	
Passat	1.8L L4 F/I - 3B Model	33-2125 ♦	
Passat	1.9L L4 DSL	33-2029	HP-3001
Passat	1.9L L4 DSL - 35i model	33-2029 ♦	HP-3001
Passat	1.9L L4 DSL - 3B Model	33-2125 ♦	HP-3001
Passat	2.0L L4 F/I	33-2029	HP-2005
Passat	2.3L V5 F/I	33-2125 ♦	HP-7005
Passat	2.8L V6 F/I	33-2029	HP-7005
Passat	2.8L V6 F/I - 174BHP	33-2029 ♦	HP-7005
Passat	2.8L V6 F/I - Exc., 174BHP	33-2125 ♦	HP-7005
Passat	2.9L V6 F/I	33-2029	HP-7005
Polo	1.0L L4 F/I	E-1210 ♦	
Polo	1.4L L4 F/I - Type 6K 60BHP, Type 6N 8v	E-1210 ♦	
Polo	1.4L L4 F/I - Type 6N 16v	33-2774 ♦	
Polo	1.6L L4 F/I - Type 6K	33-2649 ♦	
Polo	1.6L L4 F/I - Type 6N, 75BHP	E-1210 ♦	
Polo	1.8L L4 F/I	33-2649	
Polo	1.9L L4 DSL - SDi, TDi	33-2649	

Vehicle	Engine Type	Air Filter	Oil Filter
<b>1996 VOLKSWAGEN</b>			
Polo	1.9L L4 DSL - Type 6N, E-2658 exc. SDi, TDi		
Sedan City	1.6L H4 F/I		HP-2005
Sharan	1.9L L4 DSL	33-2749	
Sharan	2.0L L4 F/I	33-2749	
Sharan	2.8L V6 F/I	33-2749	HP-7005
Taro	2.4L L4 DSL	E-2487	
Taro	2.4L L4 F/I	33-2050-1	
Transporter T4	1.9L L4 DSL	33-2759	
Transporter T4	2.0L L4 F/I	33-2759	
Transporter T4	2.4L L5 DSL	33-2759	
Transporter T4	2.5L L5 DSL	33-2759 ♦	
Transporter T4	2.5L L5 F/I	33-2759	
Transporter T4	2.8L V6 F/I	33-2759	HP-7005
Vento	1.4L L4 F/I	33-2069	
Vento	1.4L L4 F/I - CL, GL, Round Filter	E-1210	
Vento	1.6L L4 F/I - 101BHP	33-2069	
Vento	1.8L L4 F/I	33-2069	
Vento	1.9L L4 DSL	33-2069	
Vento	2.0L L4 F/I	33-2069	
Vento	2.8L V6 F/I	33-2069 ♦	HP-7005

Vehicle	Engine Type	Air Filter	Oil Filter
<b>1995 VOLKSWAGEN</b>			
Cabrio	2.0L L4 F/I	33-2069	HP-2005
Clasico	1.6L L4 F/I		HP-2005
Combi	1.8L L4 F/I		HP-2005
Corrado	2.0L L4 F/I - 115BHP	33-2029	
Corrado	2.0L L4 F/I - 136BHP	33-2032	
Corrado	2.9L V6 F/I	33-2029 ♦	
Derby	1.8L L4 F/I		HP-2005
Eurovan	2.5L L5 F/I		HP-3001
EuroVan	2.4L L5 DSL		HP-3001
Golf	1.8L L4 F/I	33-2069	HP-2005
Golf	1.9L L4 DSL	33-2069	HP-3001
Golf	2.0L L4 F/I	33-2069	HP-2005
Golf	2.8L V6 F/I	33-2069	HP-7005
Golf III	1.4L L4 F/I	33-2069 ♦	
Golf III	1.6L L4 F/I - 75BHP To 6/95, 101BHP	33-2069 ♦	
Golf III	1.6L L4 F/I - to 7/95, 75BHP	E-1210 ♦	
Golf III	1.8L L4 F/I	33-2069	HP-2005
Golf III	1.9L L4 DSL	33-2069 ♦	HP-3001
Golf III	2.0L L4 F/I	33-2069 ♦	HP-2005
Golf III	2.8L V6 F/I	33-2069 ♦	HP-7005
Golf III	2.9L V6 F/I	33-2069 ♦	
Golf III GTI	2.0L L4 F/I	33-2069 ♦	HP-2005
Jetta	1.8L L4 F/I		HP-2005
Jetta	1.9L L4 DSL	33-2069	HP-3001
Jetta	2.0L L4 F/I	33-2069	HP-2005
Jetta	2.8L V6 F/I	33-2069	
Jetta III	1.6L L4 F/I - China Only, Engine Code ACR, ANL	33-2851	
LT	2.4L L4 F/I	38-9027	
LT	2.4L L6 DSL	38-9027	
Passat	1.6L L4 F/I	33-2029	
Passat	1.8L L4 F/I	33-2029	
Passat	1.9L L4 DSL	33-2029	HP-3001
Passat	2.0L L4 F/I	33-2029	HP-2005
Passat	2.0L L4 F/I	33-2029	HP-2005
Passat	2.8L V6 F/I	33-2029	HP-7005
Passat	2.9L V6 F/I	33-2029	HP-7005
Polo	1.0L L4 F/I	E-1210	
Polo	1.4L L4 F/I - Type 6K 60BHP, Type 6N 8v	E-1210 ♦	
Polo	1.4L L4 F/I - Type 6N 16v	33-2774 ♦	
Polo	1.6L L4 F/I - Type 6K	33-2649 ♦	
Polo	1.6L L4 F/I - Type 6N, 75BHP	E-1210 ♦	
Polo	1.8L L4 F/I	33-2649	
Polo	1.9L L4 DSL - Type 6K 60BHP, Type 6N 8v	E-1210 ♦	

\*Indicates 2 filters required

♦ - Intake kit available

Applications updated daily at [knfilters.com](http://knfilters.com) ®



# AIR & OIL FILTERS

# VOLKSWAGEN

Vehicle	Engine Type	Air Filter	Oil Filter	Vehicle	Engine Type	Air Filter	Oil Filter
<b>1995 VOLKSWAGEN</b>				<b>1994 VOLKSWAGEN</b>			
Polo	1.6L L4 F/I - Type 6K	33-2649 ♦		Polo	1.3L L4 F/I - w/Panel Filter	33-2003 ♦	
Polo	1.6L L4 F/I - Type 6N, 75BHP	E-1210 ♦		Polo	1.3L L4 F/I - w/Round Filter	E-1210 ♦	
Polo	1.9L L4 DSL - Type 6N, exc. SDi	E-2658		Polo	1.4L L4 DSL	33-2003	
Santana	1.8L L4 F/I	33-2029		Polo	1.6L L4 F/I	E-1210 ♦	
Sedan City	1.6L H4 F/I		HP-2005	Polo	1.9L L4 DSL	E-2658	
Sharan	1.9L L4 DSL	33-2749		Sedan City	1.6L L4 F/I		HP-2005
Sharan	2.0L L4 F/I	33-2749		Taro	2.4L L4 F/I	33-2050-1	
Sharan	2.8L V6 F/I	33-2749	HP-7005	Transporter T4	1.9L L4 DSL	E-9187	
Taro	2.4L L4 DSL	E-2487		Transporter T4	2.0L L4 F/I	E-9187	
Taro	2.4L L4 F/I	33-2050-1		Transporter T4	2.4L L5 DSL	E-9187	
Transporter T4	1.9L L4 DSL - from 9/95	33-2759		Transporter T4	2.5L L5 F/I	E-9187	
Transporter T4	1.9L L4 DSL - to 8/95	E-9187		Vento	1.6L L4 F/I - 75/101BHP	33-2069	
Transporter T4	2.0L L4 F/I - from 9/95	33-2759		Vento	1.8L L4 F/I	33-2069	
Transporter T4	2.0L L4 F/I - to 8/95	E-9187		Vento	1.9L L4 DSL	33-2069	
Transporter T4	2.4L L5 DSL - from 9/95	33-2759		Vento	2.0L L4 F/I	33-2069	
Transporter T4	2.4L L5 DSL - to 8/95	E-9187		Vento	2.8L V6 F/I	33-2069 ♦	HP-7005
Transporter T4	2.5L L5 DSL	33-2759 ♦		<b>1993 VOLKSWAGEN</b>			
Transporter T4	2.5L L5 F/I - from 9/95	33-2759		Cabriolet	1.8L L4 F/I	33-2002	HP-2005
Transporter T4	2.5L L5 F/I - to 8/95	E-9187		Clasico	1.6L L4 F/I		HP-2005
Transporter T4	2.8L V6 F/I	33-2759	HP-7005	Combi	1.8L L4 F/I		HP-2005
Vento	1.4L L4 F/I	33-2069		Corrado	1.8L L4 F/I	33-2029	
Vento	1.4L L4 F/I - CL, GL, Round Filter	E-1210		Corrado	2.0L L4 F/I - 115BHP	33-2029	
Vento	1.6L L4 F/I - 75/101BHP, to 6/95	33-2069		Corrado	2.0L L4 F/I - 136BHP	33-2032	
Vento	1.8L L4 F/I	33-2069		Corrado	2.8L V6 F/I	33-2029	
Vento	1.9L L4 DSL	33-2069		Corrado	2.9L V6 F/I	33-2029 ♦	
Vento	2.0L L4 F/I	33-2069		Eurovan	2.4L L5 DSL		HP-3001
Vento	2.8L V6 F/I	33-2069 ♦	HP-7005	EuroVan	2.5L L5 F/I		HP-3001
<b>1994 VOLKSWAGEN</b>				Fox	1.8L L4 F/I		HP-2005
Clasico	1.6L L4 F/I		HP-2005	Golf	1.8L L4 F/I	33-2069	
Combi	1.8L L4 F/I		HP-2005	Golf	1.9L L4 DSL	33-2069	HP-3001
Corrado	2.0L L4 F/I - 115BHP	33-2029		Golf	2.0L L4 F/I	33-2069	HP-2005
Corrado	2.0L L4 F/I - 136BHP	33-2032		Golf I	1.8L L4 CARB	33-2092	
Corrado	2.8L V6 F/I	33-2029		Golf I	1.8L L4 F/I	33-2002	
Corrado	2.9L V6 F/I	33-2029 ♦		Golf III	1.4L L4 F/I	33-2069 ♦	
Eurovan	2.4L L5 DSL		HP-3001	Golf III	1.6L L4 F/I - 75BHP	33-2069 ♦	
Eurovan	2.5L L5 F/I	E-9187	HP-3001	Golf III	1.8L L4 F/I	33-2069	HP-2005
Golf	1.8L L4 F/I	33-2069	HP-2005	Golf III	1.9L L4 DSL	33-2069 ♦	HP-3001
Golf	1.9L L4 DSL	33-2069	HP-3001	Golf III	2.0L L4 F/I	33-2069 ♦	HP-2005
Golf	2.0L L4 F/I	33-2069	HP-2005	Golf III	2.8L V6 F/I	33-2069 ♦	HP-7005
Golf III	1.4L L4 F/I	33-2069 ♦		Golf III GTI	2.0L L4 F/I	33-2069	HP-2005
Golf III	1.6L L4 F/I	33-2069 ♦		Jetta	1.8L L4 F/I		HP-2005
Golf III	1.8L L4 F/I	33-2069	HP-2005	Jetta	1.9L L4 DSL		HP-3001
Golf III	1.9L L4 DSL	33-2069 ♦	HP-3001	Jetta	2.0L L4 F/I	33-2069	HP-2005
Golf III	2.0L L4 F/I	33-2069 ♦	HP-2005	Jetta III	1.6L L4 F/I - China Only, Engine Code ACR, ANL	33-2851	
Golf III	2.8L V6 F/I	33-2069 ♦	HP-7005	Passat	1.6L L4 DSL	33-2029	
Golf III	2.9L V6 F/I	33-2069 ♦		Passat	1.6L L4 F/I	33-2029	
Golf III GTI	2.0L L4 F/I	33-2069 ♦	HP-2005	Passat	1.8L L4 F/I	33-2029	
Jetta	1.9L L4 DSL	33-2069	HP-3001	Passat	1.9L L4 DSL	33-2029	HP-3001
Jetta	2.0L L4 F/I	33-2069	HP-2005	Passat	2.0L L4 F/I	33-2029	HP-2005
Jetta	2.8L V6 F/I	33-2069		Passat	2.8L V6 F/I	33-2029	HP-7005
Jetta III	1.6L L4 F/I - China Only, Engine Code ACR, ANL	33-2851		Polo	1.0L L4 F/I	E-1210	
Passat	1.6L L4 F/I	33-2029		Polo	1.3L L4 CARB	E-1210	
Passat	1.8L L4 F/I	33-2029		Polo	1.3L L4 F/I - w/Panel Filter	33-2003 ♦	
Passat	1.9L L4 DSL	33-2029	HP-3001	Polo	1.3L L4 F/I - w/Round Filter	E-1210 ♦	
Passat	2.0L L4 F/I	33-2029	HP-2005	Polo	1.4L L4 DSL	33-2003	
Passat	2.8L V6 F/I	33-2029	HP-7005	Santana	1.8L L4 F/I	33-2029	
Passat	2.9L V6 F/I	33-2029	HP-7005	Sedan City	1.6L L4 F/I		HP-2005
Polo	1.0L L4 F/I	E-1210		Taro	2.4L L4 F/I	33-2050-1	
Polo	1.3L L4 CARB	E-1210		Transporter T4	1.9L L4 DSL	E-9187	

\*Indicates 2 filters required

♦ - Intake kit available

Applications updated daily at [knfilters.com](http://knfilters.com) ®

Partial Listing - Complete List of Vehicles and Applications at [knfilters.com](http://knfilters.com)

# VOLKSWAGEN

# AIR & OIL FILTERS

Vehicle	Engine Type	Air Filter	Oil Filter
<b>1993 VOLKSWAGEN</b>			
Transporter T4	2.0L L4 F/I	E-9187	
Transporter T4	2.4L L5 DSL	E-9187	
Transporter T4	2.5L L5 F/I	E-9187	
Vento	1.4L L4 F/I	33-2069	
Vento	1.4L L4 F/I - CL, GL, Round Filter	E-1210	
Vento	1.6L L4 F/I - 75BHP	33-2069	
Vento	1.8L L4 F/I	33-2069	
Vento	1.9L L4 DSL	33-2069	
Vento	2.0L L4 F/I	33-2069	
Vento	2.8L V6 F/I	33-2069 ♦	HP-7005
<b>1992 VOLKSWAGEN</b>			
Cabriolet	1.8L L4 F/I	33-2002	HP-2005
Caddy I	1.6L L4 DSL	33-2001	
Caddy I	1.8L L4 F/I	33-2002	
Combi	1.8L L4 F/I		HP-2005
Corrado	1.8L L4 F/I	33-2032	HP-2005
Corrado	1.8L L4 F/I - 136BHP	33-2032	HP-2005
Corrado	1.8L L4 F/I - 160BHP	33-2029	HP-2005
Corrado	2.0L L4 F/I	33-2032	
Corrado	2.8L V6 F/I	33-2029	
Corrado	2.9L V6 F/I	33-2029 ♦	
Eurovan	2.4L L5 DSL		HP-3001
Eurovan	2.5L L5 F/I		HP-3001
Fox	1.8L L4 F/I		HP-2005
Golf	1.6L L4 DSL		HP-3001
Golf	1.8L L4 F/I	33-2029	HP-2005
Golf	2.0L L4 F/I	33-2029	HP-2005
Golf I	1.6L L4 CARB - 72BHP, 75BHP	33-2092	
Golf I	1.6L L4 F/I - 72BHP, 75BHP	33-2092	
Golf I	1.8L L4 CARB	33-2092	
Golf I	1.8L L4 F/I	33-2002	
Golf II	1.3L L4 CARB	E-1210	
Golf II	1.6L L4 CARB	33-2092	
Golf II	1.6L L4 F/I	33-2092	
Golf III	1.4L L4 F/I - from 7/92	33-2069 ♦	
Golf III	1.4L L4 F/I - To 6/92	E-1210 ♦	
Golf III	1.6L L4 F/I - 75BHP	33-2069 ♦	
Golf III	1.8L L4 F/I	33-2069	HP-2005
Golf III	1.9L L4 DSL	33-2069	
Golf III	2.0L L4 F/I	33-2069 ♦	HP-2005
Golf III	2.8L V6 F/I	33-2069 ♦	HP-7005
Golf III GTI	2.0L L4 F/I	33-2069	HP-2005
Jetta	1.6L L4 DSL	33-2001	HP-3001
Jetta	1.8L L4 F/I	33-2029	HP-2005
Jetta	2.0L L4 F/I	33-2029	HP-2005
Jetta III	1.6L L4 F/I - China Only, Engine Code ACR, ANL	33-2851	
LT	2.4L L4 F/I	38-9027	
LT	2.4L L6 DSL	38-9027	
Passat	1.6L L4 DSL	33-2029	
Passat	1.6L L4 F/I	33-2029	
Passat	1.8L L4 F/I	33-2029	HP-2005
Passat	1.9L L4 DSL	33-2029	
Passat	2.0L L4 F/I	33-2029	HP-2005
Passat	2.8L V6 F/I	33-2029	HP-7005
Polo	1.0L L4 F/I	E-1210	
Polo	1.3L L4 CARB	E-1210	
Polo	1.3L L4 F/I - w/Panel Filter	33-2003 ♦	
Polo	1.3L L4 F/I - w/Round Filter	E-1210 ♦	
Polo	1.4L L4 DSL	33-2003	

Vehicle	Engine Type	Air Filter	Oil Filter
<b>1992 VOLKSWAGEN</b>			
Santana	1.8L L4 F/I	33-2029	
Scirocco	1.8L L4 F/I - 90BHP	33-2092	
Scirocco	1.8L L4 F/I - Exc., 90BHP	33-2002	
Transporter T3	2.1L L4 F/I	E-9140	
Transporter T4	1.9L L4 DSL	E-9187	
Transporter T4	2.0L L4 F/I	E-9187	
Transporter T4	2.4L L5 DSL	E-9187	
Transporter T4	2.5L L5 F/I	E-9187	
Vento	1.4L L4 F/I - from 7/92	33-2069	
Vento	1.6L L4 F/I - 75BHP	33-2069	
Vento	1.8L L4 F/I	33-2069	
Vento	1.9L L4 DSL	33-2069	
Vento	2.0L L4 F/I	33-2069	
Vento	2.8L V6 F/I	33-2069 ♦	HP-7005
<b>1991 VOLKSWAGEN</b>			
Cabriolet	1.8L L4 F/I	33-2002	HP-2005
Combi	1.8L L4 F/I		HP-2005
Corrado	1.8L L4 F/I	33-2032	HP-2005
Corrado	1.8L L4 F/I - 136BHP	33-2032	HP-2005
Corrado	1.8L L4 F/I - 160BHP	33-2029	HP-2005
Corrado	2.0L L4 F/I	33-2032	
Corrado	2.9L V6 F/I	33-2029 ♦	
Fox	1.8L L4 F/I		HP-2005
Golf	1.6L L4 DSL	33-2001	HP-3001
Golf	1.8L L4 F/I	33-2029	HP-2005
Golf	2.0L L4 F/I	33-2029	HP-2005
Golf I	1.6L L4 CARB - 72BHP, 75BHP	33-2092	
Golf I	1.6L L4 F/I - 72BHP, 75BHP	33-2092	
Golf I	1.8L L4 CARB	33-2092	
Golf I	1.8L L4 F/I	33-2002	
Golf II	1.0L L4 CARB	E-2585	
Golf II	1.3L L4 CARB	E-1210	
Golf II	1.3L L4 F/I	33-2001	
Golf II	1.6L L4 CARB	33-2092	
Golf II	1.6L L4 DSL		HP-3001
Golf II	1.6L L4 DSL - 50/54BHP	33-2001	HP-3001
Golf II	1.6L L4 DSL - 60/70/80BHP	33-2029	HP-3001
Golf II	1.6L L4 F/I	33-2092	
Golf II	1.8L L4 CARB	33-2092	
Golf II	1.8L L4 F/I		HP-2005
Golf II	1.8L L4 F/I - 1P/RP Eng. 90/98BHP	33-2001	HP-2005
Golf II	1.8L L4 F/I - GU/RH Eng 84/90BHP	33-2092	HP-2005
Golf II GTI	1.8L L4 F/I		HP-2005
Golf II GTI	1.8L L4 F/I - Exc., 105BHP	33-2029 ♦	HP-2005
Golf III	1.4L L4 F/I	E-1210	
Golf III	1.8L L4 F/I	33-2069	HP-2005
Golf III	1.9L L4 DSL	33-2069	
Golf III	2.0L L4 F/I	33-2069	HP-2005
Jetta	1.6L L4 DSL	33-2001	HP-3001
Jetta	1.8L L4 F/I	33-2029	HP-2005
Jetta	2.0L L4 F/I	33-2029	HP-2005
Jetta II	1.3L L4 F/I	33-2001	
Jetta II	1.6L L4 CARB	33-2092	
Jetta II	1.6L L4 DSL - 54/70BHP	33-2001	
Jetta II	1.6L L4 DSL - 60/80BHP	33-2029	
Jetta II	1.6L L4 F/I	33-2092	

\*Indicates 2 filters required    ♦ - Intake kit available    Applications updated daily at [knfilters.com](http://knfilters.com) ®

# AIR & OIL FILTERS

# VOLKSWAGEN

Vehicle	Engine Type	Air Filter	Oil Filter	Vehicle	Engine Type	Air Filter	Oil Filter
<b>1991 VOLKSWAGEN</b>				<b>1990 VOLKSWAGEN</b>			
Jetta II	1.6L L4 F/I - China Only, Engine Code ACR, ANL	33-2851		Golf II GTI	1.8L L4 F/I - Exc., 105BHP	33-2029 ♦	HP-2005
Jetta II	1.8L L4 F/I - 107/112BHP	33-2029		Jetta	1.6L L4 DSL	33-2001	HP-3001
Jetta II	1.8L L4 F/I - 129/140BHP	33-2023		Jetta	1.8L L4 F/I	33-2001	HP-2005
Jetta II	1.8L L4 F/I - 90/98BHP	33-2001		Jetta	2.0L L4 F/I	33-2029	HP-2005
Passat	1.6L L4 DSL	33-2029		Jetta I	1.8L L4 CARB	33-2092	HP-2005
Passat	1.6L L4 F/I	33-2029		Jetta II	1.3L L4 F/I	33-2001	
Passat	1.8L L4 F/I	33-2029		Jetta II	1.6L L4 CARB	33-2092	
Passat	1.9L L4 DSL	33-2029		Jetta II	1.6L L4 DSL - 54/70BHP	33-2001	
Passat	2.0L L4 F/I	33-2029	HP-2005	Jetta II	1.6L L4 DSL - 60/80BHP	33-2029	
Passat	2.8L V6 F/I	33-2029	HP-7005	Jetta II	1.6L L4 F/I	33-2092	
Polo	1.0L L4 F/I	E-1210		Jetta II	1.8L L4 F/I - 107/112BHP	33-2029	
Polo	1.3L L4 CARB	E-1210		Jetta II	1.8L L4 F/I - 129/140BHP	33-2023	
Polo	1.3L L4 F/I - w/Panel Filter	33-2003 ♦		Jetta II	1.8L L4 F/I - 90/98BHP	33-2001	
Polo	1.3L L4 F/I - w/Round Filter	E-1210 ♦		Passat	1.6L L4 DSL	33-2029	
Polo	1.4L L4 DSL	33-2003		Passat	1.6L L4 F/I	33-2029	
Scirocco	1.8L L4 F/I - 90BHP	33-2092		Passat	1.8L L4 F/I	33-2029	
Scirocco	1.8L L4 F/I - Exc., 90BHP	33-2002		Passat	1.9L L4 DSL	33-2029	
Transporter T3	1.6L L4 DSL	38-9103		Passat	2.0L L4 F/I	33-2029	HP-2005
Transporter T3	1.7L L4 DSL	33-2001		Polo	1.0L L4 CARB - to 9/90	E-2585	
Transporter T3	1.9L L4 CARB	33-2003		Polo	1.0L L4 F/I	E-1210	
Transporter T3	1.9L L4 F/I	33-2003		Polo	1.3L L4 CARB	E-1210	
Transporter T3	2.1L L4 F/I	E-9140		Polo	1.3L L4 DSL	33-2003	
Transporter T4	1.9L L4 DSL	E-9187		Polo	1.3L L4 F/I - w/Panel Filter	33-2003 ♦	
Transporter T4	2.0L L4 F/I	E-9187		Polo	1.3L L4 F/I - w/Round Filter	E-1210 ♦	
Transporter T4	2.4L L5 DSL	E-9187		Polo	1.4L L4 DSL	33-2003	
Transporter T4	2.5L L5 F/I	E-9187		Scirocco	1.8L L4 F/I - 90BHP	33-2092	
Vanagon	2.1L H4 F/I	E-2475	HP-2005	Scirocco	1.8L L4 F/I - Exc., 90BHP	33-2002	
<b>1990 VOLKSWAGEN</b>				Transporter	2.1L H4 F/I	E-9140	
Cabriolet	1.8L L4 F/I	33-2002	HP-2005	Transporter T3	1.6L L4 DSL	38-9103	
Caddy I	1.8L L4 F/I	33-2002		Transporter T3	1.9L L4 CARB	33-2003	
Combi	1.8L L4 F/I		HP-2005	Transporter T3	1.9L L4 F/I	33-2003	
Corrado	1.8L L4 F/I	33-2032	HP-2005	Transporter T3	2.1L L4 F/I	E-9140	
Corrado	1.8L L4 F/I - 136BHP	33-2032	HP-2005	Vanagon	2.1L H4 F/I	E-2475	HP-2005
Corrado	1.8L L4 F/I - 160BHP	33-2029	HP-2005	<b>1989 VOLKSWAGEN</b>			
Fox	1.8L L4 F/I	33-2002	HP-2005	Cabriolet	1.8L L4 F/I	33-2002	HP-2005
Golf	1.6L L4 DSL	33-2001	HP-3001	Caddy I	1.6L L4 DSL	33-2001	
Golf	1.8L L4 F/I	33-2029	HP-2005	Caddy I	1.6L L4 F/I	33-2092	
Golf	2.0L L4 F/I	33-2029	HP-2005	Caddy I	1.8L L4 F/I	33-2002	
Golf I	1.6L L4 CARB - 72BHP, 75BHP	33-2092		Combi	1.8L L4 F/I		HP-2005
Golf I	1.6L L4 F/I - 72BHP, 75BHP	33-2092		Corrado	1.8L L4 F/I - 136BHP	33-2032	
Golf I	1.8L L4 CARB	33-2092		Corrado	1.8L L4 F/I - 160BHP	33-2029	
Golf I	1.8L L4 F/I	33-2002		Fox	1.8L L4 F/I	33-2002	HP-2005
Golf II	1.0L L4 CARB	E-2585		Golf	1.6L L4 DSL	33-2001	HP-3001
Golf II	1.3L L4 CARB	E-1210		Golf	1.8L L4 F/I	33-2029	HP-2005
Golf II	1.3L L4 F/I	33-2001		Golf I	1.6L L4 CARB - 72BHP, 75BHP	33-2092	
Golf II	1.6L L4 CARB	33-2092		Golf I	1.6L L4 F/I - 72BHP, 75BHP	33-2092	
Golf II	1.6L L4 DSL		HP-3001	Golf I	1.8L L4 CARB	33-2092	
Golf II	1.6L L4 DSL - 50/54BHP	33-2001	HP-3001	Golf I	1.8L L4 F/I	33-2002	
Golf II	1.6L L4 DSL - 60/70/80BHP	33-2029	HP-3001	Golf II	1.0L L4 CARB	E-2585	
Golf II	1.6L L4 F/I	33-2092		Golf II	1.3L L4 CARB	E-1210	
Golf II	1.8L L4 CARB	33-2092		Golf II	1.3L L4 F/I	33-2001	
Golf II	1.8L L4 F/I		HP-2005	Golf II	1.6L L4 CARB	33-2092	
Golf II	1.8L L4 F/I - 1P/RP Eng. 90/98BHP	33-2001	HP-2005	Golf II	1.6L L4 DSL		HP-3001
Golf II	1.8L L4 F/I - GU/RH Eng 84/90BHP	33-2092	HP-2005	Golf II	1.6L L4 DSL - 50/54BHP	33-2001	HP-3001
Golf II GTI	1.8L L4 F/I		HP-2005	Golf II	1.6L L4 DSL - 60/70/80BHP	33-2029	HP-3001
				Golf II	1.6L L4 F/I	33-2092	

\*Indicates 2 filters required

♦ - Intake kit available

Applications updated daily at [knfilters.com](http://knfilters.com) ®

Partial Listing - Complete List of Vehicles and Applications at [knfilters.com](http://knfilters.com)

# VOLKSWAGEN

# AIR & OIL FILTERS

Vehicle	Engine Type	Air Filter	Oil Filter	Vehicle	Engine Type	Air Filter	Oil Filter
<b>1989 VOLKSWAGEN</b>				<b>1988 VOLKSWAGEN</b>			
Golf II	1.8L L4 CARB	33-2092		Golf II	1.8L L4 CARB	33-2092	
Golf II	1.8L L4 F/I		HP-2005	Golf II	1.8L L4 F/I		HP-2005
Golf II	1.8L L4 F/I - 1P/RP Eng. 90/98BHP	33-2001	HP-2005	Golf II	1.8L L4 F/I - 1P/RP Eng. 90/98BHP	33-2001	HP-2005
Golf II	1.8L L4 F/I - GU/RH Eng 84/90BHP	33-2092	HP-2005	Golf II	1.8L L4 F/I - GU/RH Eng 84/90BHP	33-2092	HP-2005
Golf II GTI	1.8L L4 F/I - 129/139BHP, to 8/89	33-2001 ♦		Golf II GTI	1.8L L4 F/I		HP-2005
Golf II GTI	1.8L L4 F/I - From 9/89 129/139BHP, Exc., 105BHP	33-2029 ♦		Golf II GTI	1.8L L4 F/I - 107/112/160BHP	33-2029 ♦	HP-2005
Jetta	1.6L L4 DSL	33-2001	HP-3001	Golf II GTI	1.8L L4 F/I - 129/139BHP	33-2001 ♦	HP-2005
Jetta	1.8L L4 F/I	33-2001	HP-2005	Jetta	1.6L L4 DSL - exc. Turbo		HP-3001
Jetta I	1.8L L4 CARB	33-2092		Jetta	1.6L L4 DSL - Turbo	33-2029	HP-3001
Jetta II	1.6L L4 CARB	33-2092		Jetta	1.8L L4 F/I	33-2001	HP-2005
Jetta II	1.6L L4 DSL - 54/70BHP	33-2001		Jetta I	1.8L L4 CARB	33-2092	
Jetta II	1.6L L4 DSL - 60/80BHP	33-2029		Jetta II	1.6L L4 CARB	33-2092	
Jetta II	1.6L L4 F/I	33-2092		Jetta II	1.6L L4 DSL	33-2001	
Jetta II	1.8L L4 F/I - 107/112BHP	33-2029		Jetta II	1.6L L4 F/I	33-2092	
Jetta II	1.8L L4 F/I - from 9/89, 129/140BHP	33-2023		Jetta II	1.8L L4 F/I - 107/112BHP	33-2029	
Jetta II	1.8L L4 F/I - to 8/89 129/140BHP, 90/98BHP	33-2001		Jetta II	1.8L L4 F/I - 90/98/129/140BHP	33-2001	
LT	2.4L L4 F/I	38-9027		Passat	1.8L L4 CARB	E-1210	
LT	2.4L L6 DSL	38-9027		Passat	1.8L L4 F/I - 32B model	33-2001	
Passat	1.8L L4 F/I	33-2029		Passat	1.8L L4 F/I - 35i model	33-2029	
Passat	2.0L L4 F/I	33-2029		Polo	1.0L L4 CARB	E-2585	
Polo	1.0L L4 CARB	E-2585		Polo	1.3L L4 CARB	E-1210	
Polo	1.3L L4 CARB	E-1210		Polo	1.3L L4 DSL	33-2003	
Polo	1.3L L4 DSL	33-2003		Polo	1.3L L4 F/I - w/Panel Filter	33-2003 ♦	
Polo	1.3L L4 F/I - w/Panel Filter	33-2003 ♦		Polo	1.3L L4 F/I - w/Round Filter	E-1210 ♦	
Polo	1.3L L4 F/I - w/Round Filter	E-1210 ♦		Scirocco	1.6L L4 CARB - Exc., 70BHP	33-2092	
Scirocco	1.8L L4 F/I	33-2002	HP-2005	Scirocco	1.8L L4 F/I	33-2002	HP-2005
Scirocco	1.8L L4 F/I - 90BHP	33-2092	HP-2005	Scirocco	1.8L L4 F/I - 90BHP	33-2092	HP-2005
Scirocco	1.8L L4 F/I - Exc., 90BHP	33-2002	HP-2005	Scirocco	1.8L L4 F/I - Exc., 90BHP	33-2002	HP-2005
Transporter	2.1L H4 F/I	E-9140		Transporter	2.1L H4 F/I	E-9140	
Transporter T3	1.6L L4 DSL	38-9103		Transporter T3	1.6L L4 DSL	38-9103	
Transporter T3	1.7L L4 DSL	33-2001		Transporter T3	1.9L L4 CARB	33-2003	
Transporter T3	1.9L L4 CARB	33-2003		Transporter T3	1.9L L4 F/I	33-2003	
Transporter T3	1.9L L4 F/I	33-2003		Transporter T3	2.1L L4 F/I	E-9140	
Transporter T3	2.1L L4 F/I	E-9140		Transporter T3	2.1L L4 F/I	E-9140	
Vanagon	2.1L H4 F/I	E-2475	HP-2005	Vanagon	2.1L H4 F/I	E-2475	HP-2005
<b>1988 VOLKSWAGEN</b>				<b>1987 VOLKSWAGEN</b>			
Cabriolet	1.8L L4 F/I	33-2002	HP-2005	Cabriolet	1.8L L4 F/I	33-2002	HP-2005
Combi	1.8L L4 F/I		HP-2005	Caribe	1.6L L4 F/I		HP-2005
Corrado	1.8L L4 F/I	33-2029		Fox	1.8L L4 F/I	33-2002	HP-2005
Fox	1.8L L4 F/I	33-2002	HP-2005	Golf	1.6L L4 DSL	33-2001	HP-3001
Golf	1.6L L4 DSL	33-2001	HP-3001	Golf	1.8L L4 F/I	33-2001	HP-2005
Golf	1.8L L4 F/I	33-2001	HP-2005	Golf GTI	1.8L L4 F/I	33-2001	HP-2005
Golf GTI	1.8L L4 F/I	33-2029	HP-2005	Golf I	1.6L L4 CARB - 72BHP, 75BHP	33-2092	
Golf I	1.6L L4 CARB - 72BHP, 75BHP	33-2092		Golf I	1.6L L4 F/I - 72BHP, 75BHP	33-2092	
Golf I	1.6L L4 F/I - 72BHP, 75BHP	33-2092		Golf I	1.8L L4 CARB	33-2092	
Golf I	1.8L L4 CARB	33-2092		Golf I	1.8L L4 F/I	33-2002	
Golf I	1.8L L4 F/I	33-2002		Golf II	1.3L L4 CARB	E-1210	
Golf II	1.0L L4 CARB	E-2585		Golf II	1.3L L4 F/I	33-2001	
Golf II	1.3L L4 CARB	E-1210		Golf II	1.6L L4 CARB	33-2092	
Golf II	1.3L L4 F/I	33-2001		Golf II	1.6L L4 DSL		HP-3001
Golf II	1.6L L4 CARB	33-2092		Golf II	1.6L L4 DSL - 50/54BHP	33-2001	HP-3001
Golf II	1.6L L4 DSL		HP-3001	Golf II	1.6L L4 F/I	33-2092	
Golf II	1.6L L4 DSL - 50/54BHP	33-2001	HP-3001	Golf II	1.8L L4 CARB	33-2092	
Golf II	1.6L L4 F/I	33-2092		Golf II	1.8L L4 F/I		HP-2005
Golf II	1.8L L4 CARB		HP-3001	Golf II	1.8L L4 F/I - 1P/RP Eng. 90/98BHP	33-2001	HP-2005
Golf II	1.8L L4 F/I		HP-3001				

\*Indicates 2 filters required

♦ - Intake kit available

Applications updated daily at [knfilters.com](http://knfilters.com) ®

# AIR & OIL FILTERS

# VOLKSWAGEN

Vehicle	Engine Type	Air Filter	Oil Filter	Vehicle	Engine Type	Air Filter	Oil Filter
<b>1987 VOLKSWAGEN</b>				<b>1986 VOLKSWAGEN</b>			
Golf II	1.8L L4 F/I - GU/RH Eng 84/90BHP	33-2092	HP-2005	Jetta I	1.8L L4 CARB	33-2092	
Golf II GTI	1.8L L4 F/I		HP-2005	Jetta II	1.6L L4 CARB	33-2092	
Golf II GTI	1.8L L4 F/I - 107/112BHP	33-2029 ♦	HP-2005	Jetta II	1.6L L4 DSL	33-2001	
Golf II GTI	1.8L L4 F/I - 129/139BHP	33-2001 ♦	HP-2005	Jetta II	1.6L L4 F/I	33-2092	
Jetta	1.6L L4 DSL	33-2029	HP-3001	Jetta II	1.8L L4 F/I - Exc., 95BHP	33-2001	
Jetta	1.8L L4 F/I	33-2001	HP-2005	Polo	1.0L L4 CARB	E-2585	
Jetta I	1.8L L4 CARB	33-2092		Polo	1.3L L4 CARB	E-1210	
Jetta II	1.6L L4 CARB	33-2092		Polo	1.3L L4 DSL	33-2003	
Jetta II	1.6L L4 DSL	33-2001		Polo	1.3L L4 F/I - w/Panel Filter	33-2003	
Jetta II	1.6L L4 F/I	33-2092		Polo	1.3L L4 F/I - w/Round Filter	E-1210	
Jetta II	1.8L L4 F/I - 107/112BHP	33-2029		Quantum	2.2L L5 F/I	33-2001	HP-2005
Jetta II	1.8L L4 F/I - 90/98/129/140BHP	33-2001		Scirocco	1.6L L4 CARB - Exc., 70BHP	33-2092	
Passat	1.6L L4 DSL	33-2001		Scirocco	1.8L L4 F/I	33-2002	HP-2005
Passat	1.8L L4 CARB	E-1210		Scirocco	1.8L L4 F/I - 90BHP	33-2092	HP-2005
Passat	1.8L L4 F/I	33-2001		Scirocco	1.8L L4 F/I - Exc., 90BHP	33-2002	HP-2005
Polo	1.0L L4 CARB	E-2585		Transporter T3	1.6L L4 DSL - exc. Turbo	33-2001	
Polo	1.3L L4 CARB	E-1210		Transporter T3	1.6L L4 DSL - Turbo	38-9103	
Polo	1.3L L4 DSL	33-2003		Transporter T3	1.9L L4 CARB	33-2003	
Polo	1.3L L4 F/I - w/Panel Filter	33-2003 ♦		Transporter T3	1.9L L4 F/I	33-2003	
Polo	1.3L L4 F/I - w/Round Filter	E-1210 ♦		Transporter T3	2.1L L4 F/I	E-9140	
Quantum	2.2L L5 F/I	33-2001	HP-2005	Vanagon	2.1L H4 F/I	E-2475	HP-2005
Scirocco	1.8L L4 F/I	33-2002	HP-2005	<b>1985 VOLKSWAGEN</b>			
Scirocco	1.8L L4 F/I - 90BHP	33-2092	HP-2005	Atlantic	1.6L L4 F/I		HP-2005
Scirocco	1.8L L4 F/I - Exc., 90BHP	33-2002	HP-2005	Cabriolet	1.8L L4 F/I	33-2002	HP-2005
Transporter	2.1L H4 F/I	E-9140		Caribe	1.6L L4 F/I		HP-2005
Transporter T3	1.6L L4 DSL - exc. Turbo	33-2001		Golf	1.6L L4 DSL	33-2001	HP-3001
Transporter T3	1.6L L4 DSL - Turbo	38-9103		Golf	1.8L L4 F/I	33-2001	HP-2005
Transporter T3	1.9L L4 CARB	33-2003		Golf I	1.6L L4 CARB - 72BHP, 75BHP	33-2092	
Transporter T3	1.9L L4 F/I	33-2003		Golf I	1.6L L4 F/I - 72BHP, 75BHP	33-2092	
Transporter T3	2.1L L4 F/I	E-9140		Golf I	1.8L L4 CARB	33-2092	
Vanagon	2.1L H4 F/I	E-2475	HP-2005	Golf I	1.8L L4 F/I	33-2002	
<b>1986 VOLKSWAGEN</b>				Golf II	1.3L L4 CARB	E-1210	
Atlantic	1.6L L4 F/I		HP-2005	Golf II	1.6L L4 CARB	33-2092	
Cabriolet	1.8L L4 F/I	33-2002	HP-2005	Golf II	1.6L L4 DSL		HP-3001
Caribe	1.6L L4 F/I		HP-2005	Golf II	1.6L L4 DSL - 50/54BHP	33-2001	HP-3001
Corsar	1.8L L4 F/I		HP-2005	Golf II	1.6L L4 F/I	33-2092	
Golf	1.6L L4 DSL	33-2001	HP-3001	Golf II	1.8L L4 CARB	33-2092	HP-2005
Golf	1.8L L4 F/I	33-2001	HP-2005	Golf II	1.8L L4 F/I	33-2092	HP-2005
Golf I	1.6L L4 CARB - 72BHP, 75BHP	33-2092		Golf II GTI	1.8L L4 F/I	33-2001	HP-2005
Golf I	1.6L L4 F/I - 72BHP, 75BHP	33-2092		Jetta	1.6L L4 DSL - Non-Turbo	33-2001	
Golf I	1.8L L4 CARB	33-2092		Jetta	1.6L L4 DSL - Turbo	33-2029	HP-3001
Golf I	1.8L L4 F/I	33-2002		Jetta	1.8L L4 F/I	33-2001	HP-2005
Golf II	1.3L L4 CARB	E-1210		Jetta II	1.6L L4 CARB	33-2092	
Golf II	1.6L L4 CARB	33-2092		Jetta II	1.6L L4 DSL	33-2001	
Golf II	1.6L L4 DSL		HP-3001	Jetta II	1.6L L4 F/I	33-2092	
Golf II	1.6L L4 DSL - 50/54BHP	33-2001	HP-3001	Jetta II	1.8L L4 F/I - Exc., 95BHP	33-2001	
Golf II	1.6L L4 F/I	33-2092		Polo	1.0L L4 CARB	E-2585	
Golf II	1.8L L4 CARB	33-2092		Polo	1.3L L4 CARB	E-1210	
Golf II	1.8L L4 F/I		HP-2005	Polo	1.3L L4 F/I - w/Panel Filter	33-2003	
Golf II	1.8L L4 F/I - 1P/RP Eng. 90/98BHP	33-2001	HP-2005	Polo	1.3L L4 F/I - w/Round Filter	E-1210	
Golf II	1.8L L4 F/I - GU/RH Eng 84/90BHP	33-2092	HP-2005	Scirocco	1.8L L4 F/I	33-2002	HP-2005
Golf II GTI	1.8L L4 F/I	33-2001	HP-2005	Scirocco	1.8L L4 F/I - 90BHP	33-2092	HP-2005
Jetta	1.6L L4 DSL - exc. Turbo		HP-3001	Scirocco	1.8L L4 F/I - Exc., 90BHP	33-2002	HP-2005
Jetta	1.6L L4 DSL - Turbo	33-2029	HP-3001	Transporter T3	1.9L H4 CARB	33-2003	
Jetta	1.8L L4 F/I	33-2001	HP-2005	Transporter T3	1.9L L4 F/I	33-2003	

\*Indicates 2 filters required

♦ - Intake kit available

Applications updated daily at [knfilters.com](http://knfilters.com) ®

Partial Listing - Complete List of Vehicles and Applications at [knfilters.com](http://knfilters.com)

# VOLKSWAGEN

# AIR & OIL FILTERS

Vehicle	Engine Type	Air Filter	Oil Filter
<b>1985 VOLKSWAGEN</b>			
Transporter T3	2.1L L4 F/I	E-9140	
Vanagon	1.9L H4 F/I	33-2003	HP-2005
<b>1984 VOLKSWAGEN</b>			
Atlantic	1.6L L4 F/I		HP-2005
Caribe	1.6L L4 F/I		HP-2005
Golf I	1.6L L4 CARB - 72BHP, 75BHP	33-2092	
Golf I	1.6L L4 DSL	33-2001	
Golf I	1.6L L4 F/I - 72BHP, 75BHP	33-2092	
Golf I	1.8L L4 CARB	33-2092	
Golf I	1.8L L4 F/I	33-2002	
Golf II	1.3L L4 CARB	E-1210	
Golf II	1.6L L4 CARB	33-2092	
Golf II	1.6L L4 DSL - 50/54BHP	33-2001	
Golf II	1.6L L4 F/I	33-2092	
Golf II	1.8L L4 CARB	33-2092	
Golf II	1.8L L4 F/I	33-2092	
Golf II GTI	1.8L L4 F/I - 112BHP	33-2001	
Jetta	1.6L L4 DSL - exc. Turbo		HP-3001
Jetta	1.6L L4 DSL - Turbo	33-2029	HP-3001
Jetta	1.7L L4 F/I	33-2002	HP-2005
Jetta	1.8L L4 F/I	33-2001	HP-2005
Jetta I	1.6L L4 CARB - 85BHP	33-2092	
Jetta I	1.6L L4 DSL	33-2001	
Jetta I	1.8L L4 F/I	33-2001	
Jetta II	1.6L L4 CARB	33-2092	
Jetta II	1.6L L4 DSL	33-2001	
Jetta II	1.6L L4 F/I	33-2092	
Jetta II	1.8L L4 F/I - Exc., 95BHP	33-2001	
Polo	1.0L L4 CARB	E-2585	
Polo	1.3L L4 F/I - w/Panel Filter	33-2003	
Rabbit	1.6L L4 DSL	33-2001	HP-3001
Rabbit	1.7L L4 CARB		HP-2005
Rabbit	1.7L L4 F/I	33-2002	HP-2005
Rabbit	1.8L L4 F/I	33-2002	HP-2005
Scirocco	1.8L L4 F/I	33-2002	HP-2005
Scirocco	1.8L L4 F/I - 90BHP	33-2092	HP-2005
Scirocco	1.8L L4 F/I - Exc., 90BHP	33-2002	HP-2005
Transporter T3	1.9L L4 CARB	33-2003	
Transporter T3	1.9L L4 F/I	33-2003	
Vanagon	1.6L L4 DSL	33-2001	
Vanagon	1.9L H4 F/I	33-2003	HP-2005

Vehicle	Engine Type	Air Filter	Oil Filter
<b>1983 VOLKSWAGEN</b>			
Caribe	1.6L L4 F/I		HP-2005
Golf I	1.1L L4 CARB	E-2585	
Golf I	1.3L L4 CARB	E-2585	
Golf I	1.5L L4 CARB	33-2092	
Golf I	1.6L L4 CARB	33-2092	
Golf I	1.6L L4 DSL	33-2001	
Golf I	1.6L L4 F/I	33-2092	
Golf I	1.8L L4 CARB	33-2092	
Golf I	1.8L L4 F/I	33-2002	
Golf I GTI	1.8L L4 F/I	33-2002	
Golf II	1.3L L4 CARB	E-1210	
Golf II	1.6L L4 CARB	33-2092	
Golf II	1.6L L4 DSL - 50/54BHP	33-2001	
Golf II	1.6L L4 F/I	33-2092	
Golf II GTI	1.8L L4 F/I	33-2001	
Jetta	1.6L L4 DSL - Turbo	33-2029	HP-3001

Vehicle	Engine Type	Air Filter	Oil Filter
<b>1983 VOLKSWAGEN</b>			
Polo	1.3L L4 F/I - w/Panel Filter	33-2003	
Rabbit	1.6L L4 DSL	33-2001	HP-3001
Rabbit	1.7L L4 F/I	33-2002	HP-2005
Rabbit	1.8L L4 F/I	33-2002	HP-2005
Rabbit Convertible	1.7L L4 F/I	33-2002	HP-2005
Rabbit Pickup	1.6L L4 DSL	33-2001	HP-3001
Rabbit Pickup	1.7L L4 F/I	33-2002	HP-2005
Scirocco	1.8L L4 F/I	33-2002	HP-2005
Scirocco	1.8L L4 F/I - 90BHP	33-2092	HP-2005
Scirocco	1.8L L4 F/I - Exc., 90BHP	33-2002	HP-2005
Transporter T3	1.9L L4 CARB	33-2003	
Transporter T3	1.9L L4 F/I	33-2003	
Vanagon	1.6L L4 DSL	33-2001	HP-3001
Vanagon	1.9L H4 F/I	33-2003	HP-2005
Vanagon	2.0L H4 F/I	33-2003	HP-2004

Vehicle	Engine Type	Air Filter	Oil Filter
<b>1982 VOLKSWAGEN</b>			
Caribe	1.6L L4 F/I		HP-2005
Golf I	1.1L L4 CARB	E-2585	
Golf I	1.3L L4 CARB	E-2585	
Golf I	1.5L L4 CARB	33-2092	
Golf I	1.6L L4 CARB	33-2092	
Golf I	1.6L L4 DSL	33-2001	
Golf I	1.6L L4 F/I - 110BHP	33-2002	
Golf I	1.8L L4 CARB	33-2002	
Golf I	1.8L L4 F/I	33-2002	
Golf I GTI	1.6L L4 F/I	33-2002	
Golf I GTI	1.8L L4 CARB	33-2002	
Jetta	1.6L L4 DSL	33-2001	HP-3001
Rabbit	1.6L L4 DSL	33-2001	HP-3001
Rabbit	1.7L L4 CARB	33-2001	HP-2005
Rabbit	1.7L L4 F/I	33-2002	HP-2005
Rabbit Pickup	1.6L L4 DSL	33-2001	HP-3001
Rabbit Pickup	1.7L L4 F/I	33-2002	HP-2005
Transporter T3	2.0L L4 CARB	33-2003	
Vanagon	1.6L L4 DSL	33-2001	HP-3001
Vanagon	2.0L H4 F/I	33-2003	HP-2004

Vehicle	Engine Type	Air Filter	Oil Filter
<b>1981 VOLKSWAGEN</b>			
Caribe	1.6L L4 F/I		HP-2005
Golf I	1.6L L4 CARB	33-2092	
Golf I	1.6L L4 DSL	33-2001	
Golf I	1.6L L4 F/I - 110BHP	33-2002	
Golf I GTI	1.6L L4 F/I	33-2002	
Rabbit	1.6L L4 DSL	33-2001	HP-3001
Rabbit	1.7L L4 F/I	33-2002	HP-2005
Rabbit Convertible	1.7L L4 F/I	33-2002	HP-2005
Rabbit Pickup	1.6L L4 DSL	33-2001	HP-3001
Rabbit Pickup	1.7L L4 F/I	33-2002	HP-2005
Scirocco	1.7L L4 F/I	33-2002	HP-2005
Vanagon	2.0L H4 F/I	33-2003	HP-2004

Vehicle	Engine Type	Air Filter	Oil Filter
<b>1980 VOLKSWAGEN</b>			
Golf I	1.1L L4 CARB	E-2585	
Golf I	1.3L L4 CARB	E-2585	
Golf I	1.5L L4 CARB	33-2092	
Golf I	1.6L L4 CARB	33-2092	
Golf I	1.6L L4 DSL	33-2001	
Golf I	1.6L L4 F/I - 110BHP	33-2002	
Golf I GTI	1.6L L4 F/I	33-2002	
Rabbit	1.5L L4 CARB	33-2001	HP-2005
Rabbit	1.5L L4 DSL	33-2001	HP-3001
Rabbit	1.5L L4 F/I	33-2001	
Rabbit	1.6L L4 F/I	33-2002	HP-2005

\*Indicates 2 filters required

◆ - Intake kit available

Applications updated daily at [knfilters.com](http://knfilters.com) ®

# AIR & OIL FILTERS

# VOLKSWAGEN

Vehicle	Engine Type	Air Filter	Oil Filter
<b>1980 VOLKSWAGEN</b>			
Rabbit Pickup	1.5L L4 CARB	33-2001	
Rabbit Pickup	1.5L L4 F/I	33-2002	
Rabbit Pickup	1.6L L4 F/I	33-2002	HP-2005
Scirocco	1.6L L4 F/I	33-2002	HP-2005
Transporter T3	2.0L L4 CARB	33-2003	
Vanagon	2.0L H4 F/I	33-2003	HP-2004

<b>1979 VOLKSWAGEN</b>			
Beetle	1.6L H4 F/I	33-2001	
Golf I	1.6L L4 CARB	33-2092	
Golf I	1.6L L4 F/I - 110BHP	33-2002	
Golf I GTI	1.6L L4 F/I	33-2002	
Rabbit	1.5L L4 CARB	33-2001	
Rabbit	1.5L L4 DSL	33-2001	HP-3001
Rabbit	1.5L L4 F/I	33-2002	HP-2005
Transporter	2.0L H4 F/I	33-2003	HP-2004
Transporter T2	2.0L L4 CARB	33-2003	
Transporter T3	2.0L H4 CARB	33-2003	

<b>1978 VOLKSWAGEN</b>			
Beetle	1.6L H4 F/I	33-2001	
Golf I	1.5L L4 CARB	33-2092	
Golf I	1.6L L4 CARB	33-2092	
Golf I	1.6L L4 F/I - 110BHP	33-2002	
Golf I GTI	1.6L L4 F/I	33-2002	
Rabbit	1.5L L4 CARB	33-2001	HP-2005
Rabbit	1.5L L4 DSL	33-2001	HP-3001
Rabbit	1.5L L4 F/I	33-2002	HP-2005
Transporter	2.0L H4 F/I	33-2003	HP-2004
Transporter T2	1.6L H4 CARB	33-2003	
Transporter T2	2.0L H4 CARB	33-2003	

<b>1977 VOLKSWAGEN</b>			
Beetle	1.6L H4 F/I	33-2001	
Rabbit	1.6L L4 F/I	33-2002	HP-2005
Transporter	2.0L H4 F/I	33-2003	HP-2004
Transporter T2	1.6L H4 CARB	33-2003	
Transporter T2	2.0L H4 CARB	33-2003	

<b>1976 VOLKSWAGEN</b>			
Beetle	1.6L H4 F/I	33-2001	
Transporter	2.0L H4 F/I	33-2003	HP-2004
Transporter T2	1.6L H4 CARB	33-2003	
Transporter T2	2.0L H4 CARB	33-2003	

<b>1975 VOLKSWAGEN</b>			
Beetle	97 H4 F/I	33-2001	
Scirocco	1.5L L4 CARB		HP-2005
Transporter	1.8L H4 F/I	33-2003	HP-2004
Transporter T2	1.8L H4 F/I	33-2003	

<b>1974 VOLKSWAGEN</b>			
Beetle	97 H4 CARB	33-2001	
Karmann Ghia	1.6L H4 CARB	33-2001	
Transporter	1.8L H4 F/I	33-2003	HP-2004
Transporter T2	1.8L H4 F/I	33-2003	

<b>1973 VOLKSWAGEN</b>			
412	1.7L H4 F/I		HP-2004
Transporter	1.7L H4 F/I	33-2003	HP-2004
Transporter T2	1.7L H4 F/I	33-2003	

<b>1972 VOLKSWAGEN</b>			
Karmann Ghia	1.6L H4 CARB	33-2001	
Transporter	1.7L H4 F/I	33-2003	HP-2004
Transporter T2	1.6L H4 CARB	33-2003	
Transporter T2	1.7L H4 F/I	33-2003	

Vehicle	Engine Type	Air Filter	Oil Filter
<b>1970 VOLKSWAGEN</b>			
Transporter T2	1.6L H4 CARB	33-2003	

<b>2011 VOLVO</b>			
C30	1.6L L4 DSL	E-2993	
C30	1.6L L4 F/I	E-2993	
C30	2.0L L4 F/I	E-2993	
C30	2.5L L5 F/I	33-2873	
C70	2.5L L5 F/I	33-2873	
C70 II	2.5L L5 F/I	33-2873	
S40	2.5L L5 F/I	33-2873	
S40 II	1.6L L4 DSL	E-2993	
S40 II	1.6L L4 F/I	E-2993	
S40 II	2.0L L4 F/I	E-2993	
S40 II	2.5L L5 F/I	33-2873	
S60	2.0L L4 DSL	33-2388	
S60	2.0L L4 F/I	33-2388	
S60	2.4L L5 DSL	33-2388	
S60	3.0L L6 F/I	33-2418	
S80	3.0L L6 F/I	33-2418	
S80	3.2L L6 F/I	33-2418	
S80 II	1.6L L4 DSL	33-2388	
S80 II	1.6L L4 F/I	33-2388	
S80 II	2.0L L4 F/I	33-2388	
S80 II	2.0L L5 DSL	33-2388	
S80 II	2.4L L5 DSL	33-2388	
S80 II	3.0L L6 F/I	33-2418	
S80 II	3.2L L6 F/I	33-2418	
V50	1.6L L4 DSL	E-2993	
V50	1.6L L4 F/I	E-2993	
V50	2.0L L4 F/I	E-2993	
V50	2.5L L5 F/I	33-2873	
V60	2.0L L4 F/I	33-2388	
V60	2.0L L5 DSL	33-2388	
V60	2.4L L5 DSL	33-2388	
V60	3.0L V6 F/I	33-2418	
V70 III	1.6L L4 DSL	E-2993	
V70 III	1.6L L4 F/I	33-2388	
V70 III	2.0L L4 DSL	33-2388	
V70 III	2.0L L4 F/I - Turbo	33-2388	
V70 III	2.4L L5 DSL	33-2388	
V70 III	3.0L L6 F/I	33-2418	
V70 III	3.2L L6 F/I	33-2418	
XC60	2.0L L4 F/I	33-2388	
XC60	2.0L L5 DSL	33-2388	
XC60	2.4L L5 DSL	33-2388	
XC60	3.0L L6 F/I	33-2418	
XC70	3.0L L6 F/I	33-2418	
XC70	3.2L L6 F/I	33-2418	
XC70 II	2.0L L5 DSL	33-2388	
XC70 II	2.4L L5 DSL	33-2388	
XC70 II	3.0L L6 F/I	33-2418	
XC90	3.2L L6 F/I	33-2400	
XC90	4.4L V8 F/I	33-2328	

<b>2010 VOLVO</b>			
C30	1.6L L4 DSL	E-2993	
C30	1.6L L4 F/I	E-2993	
C30	2.0L L4 DSL	E-2993	
C30	2.0L L4 F/I	E-2993	
C30	2.5L L5 F/I	33-2873 ♦	
C70	2.5L L5 F/I	33-2873	
C70 II	2.0L L4 DSL - exc. D3 & D4 Eng.	33-2393	
C70 II	2.4L L4 F/I	33-2873	
C70 II	2.5L L5 F/I	33-2873	

\*Indicates 2 filters required    ♦ - Intake kit available    Applications updated daily at [knfilters.com](http://knfilters.com) ®

Partial Listing - Complete List of Vehicles and Applications at [knfilters.com](http://knfilters.com)

# VOLVO

# AIR & OIL FILTERS

Vehicle	Engine Type	Air Filter	Oil Filter	Vehicle	Engine Type	Air Filter	Oil Filter
<b>2010 VOLVO</b>				<b>2009 VOLVO</b>			
S40	2.4L L5 F/I	33-2873		C30	2.0L L4 F/I	E-2993 ♦	
S40	2.5L L5 F/I	33-2873		C30	2.5L L5 F/I	33-2873 ♦	
S40 II	1.6L L4 DSL	E-2993		C70	2.5L L5 F/I	33-2873	
S40 II	1.6L L4 F/I	E-2993		C70 II	2.0L L4 DSL	E-2993	
S40 II	2.0L L4 DSL	E-2993		C70 II	2.5L L5 F/I	33-2873	
S40 II	2.0L L4 F/I	E-2993		S40	2.5L L5 F/I	33-2873	
S40 II	2.5L L5 F/I	33-2873		S40 II	1.6L L4 DSL	E-2993	
S60	2.0L L4 DSL	33-2388		S40 II	1.6L L4 F/I	E-2993	
S60	2.0L L4 F/I	33-2388		S40 II	1.8L L4 F/I	E-2993 ♦	
S60	2.4L L5 DSL	33-2388		S40 II	2.0L L4 DSL	E-2993	
S60	3.0L L6 F/I	33-2418		S40 II	2.0L L4 F/I	E-2993 ♦	
S80	3.0L L6 F/I	33-2418	HP-7016	S40 II	2.5L L5 F/I	33-2873 ♦	
S80	3.2L L6 F/I	33-2418	HP-7016	S60	2.0L L5 F/I	33-2176	
S80	4.4L V8 F/I	33-2388	HP-7002	S60	2.4L L5 F/I		HP-7002
S80 II	1.6L L4 DSL	33-2388		S60	2.5L L5 F/I		HP-7002
S80 II	1.6L L4 F/I	33-2388		S80	3.0L L6 F/I	33-2418	HP-7007
S80 II	2.0L L4 F/I - exc. Turbo	33-2393		S80	3.2L L6 F/I	33-2418	HP-7007
S80 II	2.0L L4 F/I - Turbo	33-2388		S80	4.4L V8 F/I	33-2388	HP-7002
S80 II	2.0L L5 DSL - from 4/10	33-2388		S80 II	1.6L L4 DSL	33-2388	
S80 II	2.0L L5 DSL - to 3/10	33-2393		S80 II	2.0L L4 F/I	33-2393	
S80 II	2.4L L5 DSL	33-2388		S80 II	2.4L L5 DSL	33-2388	
S80 II	3.0L L6 F/I	33-2418		S80 II	2.5L L5 F/I	33-2873	
S80 II	3.2L L6 F/I	33-2418		S80 II	3.0L L6 F/I	33-2418	
V50	1.6L L4 DSL	E-2993		S80 II	3.2L L6 F/I	33-2418	HP-7016
V50	1.6L L4 F/I	E-2993		S80 II	4.4L V8 F/I	33-2388	HP-7002
V50	2.0L L4 DSL	E-2993		V50	1.6L L4 DSL	E-2993	
V50	2.0L L4 F/I	E-2993		V50	1.6L L4 F/I	E-2993	
V50	2.4L L5 F/I	33-2873		V50	1.8L L4 F/I	E-2993 ♦	
V50	2.5L L5 F/I	33-2873		V50	2.0L L4 DSL	E-2993	
V60	2.0L L4 F/I	33-2388		V50	2.0L L4 F/I	E-2993 ♦	
V60	2.0L L5 DSL	33-2388		V50	2.4L L5 F/I	33-2873	
V60	2.4L L5 DSL	33-2388		V50	2.5L L5 F/I	33-2873 ♦	
V60	3.0L V6 F/I	33-2418		V70	3.2L L6 F/I	33-2418	HP-7007
V70	3.2L L6 F/I	33-2418	HP-7016	V70 III	2.0L L4 DSL	33-2393	
V70 III	1.6L L4 DSL	E-2993		V70 III	2.0L L4 F/I	33-2393	
V70 III	1.6L L4 F/I	33-2388		V70 III	2.4L L5 DSL	33-2388	
V70 III	2.0L L4 DSL - D3 Eng.	33-2388		V70 III	2.5L L5 F/I	33-2873	
V70 III	2.0L L4 DSL - exc. D3 & D4 Eng.	33-2393		V70 III	3.0L L6 F/I	33-2418	
V70 III	2.0L L4 F/I - exc. Turbo	33-2393		V70 III	3.2L L6 F/I	33-2418	HP-7016
V70 III	2.0L L4 F/I - Turbo	33-2388		XC60	2.4L L5 DSL	33-2388	
V70 III	2.4L L5 DSL	33-2388		XC60	3.0L L6 F/I	33-2418	
V70 III	2.5L L5 F/I	33-2873		XC60	2.4L L5 DSL	33-2388	
V70 III	3.0L L6 F/I	33-2418		XC60	3.0L L6 F/I	33-2418	HP-7007
V70 III	3.2L L6 F/I	33-2418		XC60	3.2L L6 F/I	33-2418	HP-7007
XC60	2.0L L4 F/I	33-2388		XC70 Cross Country	3.2L L6 F/I	33-2418	HP-7016
XC60	2.0L L5 DSL	33-2388		XC70 II	2.4L L5 DSL	33-2388	
XC60	2.4L L5 DSL	33-2388		XC70 II	3.0L L6 F/I	33-2418	
XC60	3.0L L6 F/I	33-2418	HP-7016	XC70 II	3.2L L6 F/I	33-2418	HP-7016
XC60	3.2L L6 F/I	33-2418	HP-7016	XC90	3.2L L6 F/I	33-2400	HP-7007
XC70	2.4L L5 DSL	33-2388		XC90	4.4L V8 F/I	HP-7002	HP-7002
XC70	3.0L L6 F/I	33-2418	HP-7016	<b>2008 VOLVO</b>			
XC70	3.2L L6 F/I	33-2418	HP-7016	C30	1.6L L4 DSL	E-2993	
XC70 II	2.0L L5 DSL	33-2388		C30	1.6L L4 F/I	E-2993	
XC70 II	2.4L L5 DSL	33-2388		C30	1.8L L4 F/I	E-2993 ♦	
XC70 II	3.0L L6 F/I	33-2418		C30	2.0L L4 DSL	E-2993	
XC90	3.2L L6 F/I	33-2400	HP-7016	C30	2.0L L4 F/I	E-2993 ♦	
XC90	4.4L V8 F/I	33-2328	HP-7002	C30	2.5L L5 F/I	33-2873 ♦	
<b>2009 VOLVO</b>				C70	2.5L L5 F/I	33-2873	
C30	1.6L L4 DSL	E-2993		C70 II	2.0L L4 DSL	E-2993	
C30	1.6L L4 F/I	E-2993		C70 II	2.4L L5 F/I	33-2873	
C30	1.8L L4 F/I	E-2993 ♦		C70 II	2.5L L5 F/I	33-2873	
C30	2.0L L4 DSL	E-2993		S40	2.4L L5 F/I	33-2873	
				S40	2.5L L5 F/I	33-2873	

\*Indicates 2 filters required

♦ - Intake kit available

Applications updated daily at [knfilters.com](http://knfilters.com) ®



# AIR & OIL FILTERS

# VOLVO

Vehicle	Engine Type	Air Filter	Oil Filter	Vehicle	Engine Type	Air Filter	Oil Filter
<b>2008 VOLVO</b>				<b>2007 VOLVO</b>			
S40 II	1.6L L4 DSL	E-2993		S40 II	1.6L L4 DSL - from 8/07	E-2993	
S40 II	1.6L L4 F/I	E-2993		S40 II	1.6L L4 DSL - to 7/07	33-2874	
S40 II	1.8L L4 F/I	E-2993 ♦		S40 II	1.6L L4 F/I - from 8/07	E-2993 ♦	
S40 II	2.0L L4 DSL	E-2993		S40 II	1.6L L4 F/I - to 7/07	33-2877 ♦	
S40 II	2.0L L4 F/I	E-2993 ♦		S40 II	1.8L L4 F/I - from 8/07	E-2993 ♦	
S40 II	2.4L L5 F/I	33-2873		S40 II	1.8L L4 F/I - to 7/07	33-2877 ♦	
S40 II	2.5L L5 F/I	33-2873 ♦		S40 II	2.0L L4 DSL - from 8/07	E-2993	
S60	2.0L L5 F/I	33-2176		S40 II	2.0L L4 DSL - to 7/07	33-2886	
S60	2.4L L5 DSL - Exc., 185BHP	33-2176		S40 II	2.0L L4 F/I - from 8/07	E-2993 ♦	
S60	2.4L L5 F/I	33-2176	HP-7002	S40 II	2.0L L4 F/I - to 7/07	33-2877 ♦	
S60	2.5L L5 F/I	33-2176	HP-7002	S40 II	2.4L L5 F/I	33-2873	
S80	3.0L L6 F/I	33-2418	HP-7016	S40 II	2.5L L5 F/I	33-2873 ♦	
S80	3.2L L6 F/I	33-2418	HP-7016	S60	2.0L L5 F/I	33-2176	
S80	4.4L V8 F/I	33-2388	HP-7002	S60	2.4L L5 DSL - Exc., 185BHP	33-2176	
S80 II	2.4L L5 DSL	33-2388		S60	2.4L L5 F/I	33-2176	HP-7002
S80 II	2.5L L5 F/I	33-2873		S60	2.5L L5 F/I	33-2176	HP-7002
S80 II	3.0L L6 F/I	33-2418	HP-7016	S60R	2.5L L5 F/I	E-2019	HP-7002
S80 II	3.2L L6 F/I	33-2418	HP-7016	S80	3.2L L6 F/I		HP-7016
S80 II	4.4L V8 F/I	33-2388	HP-7002	S80	4.4L V8 F/I	33-2388	HP-7002
V50	1.6L L4 DSL	E-2993		S80 II	2.4L L5 DSL	33-2388	
V50	1.6L L4 F/I	E-2993		S80 II	2.5L L5 F/I	33-2873	HP-7002
V50	1.8L L4 F/I	E-2993 ♦		S80 II	3.0L L6 F/I	33-2418	
V50	2.0L L4 DSL	E-2993		S80 II	3.2L L6 F/I	33-2418	HP-7016
V50	2.0L L4 F/I	E-2993 ♦		S80 II	4.4L V8 F/I	33-2388	HP-7002
V50	2.4L L5 F/I	33-2873		V50	1.6L L4 DSL - from 8/07	E-2993	
V50	2.5L L5 F/I	33-2873 ♦		V50	1.6L L4 DSL - to 7/07	33-2874	
V70	3.2L L6 F/I	33-2418	HP-7016	V50	1.6L L4 F/I - from 8/07	E-2993 ♦	
V70 III	2.0L L4 DSL	33-2393		V50	1.6L L4 F/I - to 7/07	33-2877 ♦	
V70 III	2.0L L4 F/I	33-2393		V50	1.8L L4 F/I - from 8/07	E-2993 ♦	
V70 III	2.4L L5 DSL	33-2388		V50	1.8L L4 F/I - to 7/07	33-2877 ♦	
V70 III	2.5L L5 F/I	33-2873		V50	2.0L L4 DSL - from 8/07	E-2993	
V70 III	3.0L L6 F/I	33-2418		V50	2.0L L4 DSL - to 7/07	33-2886	
V70 III	3.2L L6 F/I	33-2418	HP-7016	V50	2.0L L4 F/I - from 8/07	E-2993 ♦	
XC60	2.4L L5 DSL	33-2388		V50	2.0L L4 F/I - to 7/07	33-2877 ♦	
XC60	3.0L L6 F/I	33-2418		V50	2.4L L5 F/I	33-2873	
XC70	2.4L L5 DSL	33-2388		V50	2.5L L5 F/I	33-2873 ♦	
XC70	3.2L L6 F/I	33-2418	HP-7016	V50	2.4L L5 F/I	33-2176	HP-7002
XC70 Cross Country	3.2L L6 F/I	33-2418	HP-7016	V70	2.5L L5 F/I	33-2176	HP-7002
XC70 II	2.4L L5 DSL	33-2388		V70 II	2.4L L5 DSL - 185BHP	33-2388	
XC70 II	3.0L L6 F/I	33-2418		V70 II	2.4L L5 DSL - Exc., 185BHP	33-2176	
XC70 II	3.2L L6 F/I	33-2418	HP-7016	V70 II	2.4L L5 F/I	33-2176	HP-7002
XC90	3.2L L6 F/I	33-2400	HP-7016	V70 II	2.5L L5 F/I		HP-7002
XC90	4.4L V8 F/I	33-2328	HP-7002	V70 II	2.5L L5 F/I - 300BHP	E-2019	HP-7002
<b>2007 VOLVO</b>				V70 II	2.5L L5 F/I - Exc., 300BHP	33-2176	HP-7002
C30	1.6L L4 DSL - from 8/07	E-2993		V70 III	2.0L L4 DSL	33-2393	
C30	1.6L L4 DSL - to 7/07	33-2874		V70 III	2.0L L4 F/I	33-2393	
C30	1.6L L4 F/I - from 8/07	E-2993 ♦		V70 III	2.4L L5 DSL	33-2388	
C30	1.6L L4 F/I - to 7/07	33-2877 ♦		V70 III	2.5L L5 F/I	33-2873	
C30	1.8L L4 F/I - from 8/07	E-2993 ♦		V70 III	3.0L L6 F/I	33-2418	
C30	1.8L L4 F/I - to 7/07	33-2877 ♦		V70 III	3.2L L6 F/I	33-2418	
C30	2.0L L4 DSL - from 8/07	E-2993		V70R	2.5L L5 F/I	E-2019	HP-7002
C30	2.0L L4 DSL - to 7/07	33-2886		XC70	2.5L L5 F/I	33-2176	HP-7002
C30	2.0L L4 F/I - from 8/07	E-2993 ♦		XC70 Cross Country	2.4L L5 DSL	33-2388	
C30	2.0L L4 F/I - to 7/07	33-2877 ♦		XC70 Cross Country	2.5L L5 F/I	33-2176	HP-7002
C30	2.4L L5 F/I	33-2873		XC70 Cross Country	3.2L L6 F/I	33-2418	HP-7016
C30	2.5L L5 F/I	33-2873 ♦		XC70 II	2.4L L5 DSL	33-2388	
C70	2.5L L5 F/I	33-2873		XC70 II	3.2L L6 F/I	33-2418	HP-7016
C70 II	2.4L L5 F/I	33-2873		XC90	2.5L L5 F/I	33-2280	
C70 II	2.5L L5 F/I	33-2873		XC90	3.2L L6 F/I	33-2400	HP-7016
S40	2.4L L5 F/I	33-2873		XC90	4.4L V8 F/I	33-2328	HP-7002
S40	2.5L L5 F/I	33-2873					

\*Indicates 2 filters required

♦ - Intake kit available

Applications updated daily at [knfilters.com](http://knfilters.com) ®

**Partial Listing - Complete List of Vehicles and Applications at [knfilters.com](http://knfilters.com)**

# VOLVO

# AIR & OIL FILTERS

Vehicle	Engine Type	Air Filter	Oil Filter	Vehicle	Engine Type	Air Filter	Oil Filter
<b>2006 VOLVO</b>				<b>2005 VOLVO</b>			
C30	1.6L L4 DSL	33-2874		S40 II	1.6L L4 DSL - from 10/05	33-2874	
C30	1.6L L4 F/I	33-2877 ♦		S40 II	1.6L L4 DSL - to 9/05	33-2886	
C30	1.8L L4 F/I	33-2877 ♦		S40 II	1.6L L4 F/I	33-2877 ♦	
C30	2.0L L4 DSL	33-2886		S40 II	1.8L L4 F/I	33-2877 ♦	
C30	2.0L L4 F/I	33-2877 ♦		S40 II	2.0L L4 DSL	33-2886	
C30	2.4L L5 F/I	33-2873		S40 II	2.4L L5 F/I	33-2873	
C30	2.5L L5 F/I	33-2873 ♦		S40 II	2.5L L5 F/I	33-2873 ♦	
C70	2.5L L5 F/I	33-2873		S60	2.0L L5 F/I	33-2176	
C70 II	2.4L L5 F/I	33-2873		S60	2.4L L5 DSL - Exc., 185BHP	33-2176	
C70 II	2.5L L5 F/I	33-2873		S60	2.4L L5 F/I	33-2176	HP-7002
S40	2.4L L5 F/I	33-2873		S60	2.5L L5 F/I	33-2176	HP-7002
S40	2.5L L5 F/I	33-2873 ♦		S60R	2.5L L5 F/I	E-2019	HP-7002
S40 II	1.6L L4 DSL	33-2874		S80	2.0L L5 F/I	33-2152	
S40 II	1.6L L4 F/I	33-2877 ♦		S80	2.4L L5 DSL	33-2152	
S40 II	1.8L L4 F/I	33-2877 ♦		S80	2.4L L5 F/I	33-2152	
S40 II	2.0L L4 DSL	33-2886		S80	2.5L L5 F/I		HP-7002
S40 II	2.0L L4 F/I	33-2877 ♦		S80	2.5L L5 F/I - Non-US	33-2152	HP-7002
S40 II	2.4L L5 F/I	33-2873		S80	2.5L L5 F/I - US	33-2176	HP-7002
S40 II	2.5L L5 F/I	33-2873 ♦		S80	2.8L L6 F/I	33-2152	
S60	2.0L L5 F/I	33-2176		S80	2.9L L6 F/I		HP-7002
S60	2.4L L5 DSL - Exc., 185BHP	33-2176		S80	2.9L L6 F/I - Non-US	33-2152	HP-7002
S60	2.4L L5 F/I	33-2176	HP-7002	S80	2.9L L6 F/I - US	33-2269	HP-7002
S60	2.5L L5 F/I	33-2176	HP-7002	S80	3.0L L6 F/I	33-2269	
S60R	2.5L L5 F/I	E-2019	HP-7002	V50	1.6L L4 DSL - from 10/05	33-2874	
S80	2.4L L5 DSL	33-2152		V50	1.6L L4 DSL - to 9/05	33-2886	
S80	2.5L L5 F/I		HP-7002	V50	1.6L L4 F/I	33-2877 ♦	
S80	2.5L L5 F/I - Non-US	33-2152	HP-7002	V50	1.8L L4 F/I	33-2877 ♦	
S80	2.5L L5 F/I - US	33-2176	HP-7002	V50	2.0L L4 DSL	33-2886	
S80 II	2.4L L5 DSL	33-2388		V50	2.4L L5 F/I	33-2873	
S80 II	2.5L L5 F/I	33-2873	HP-7002	V50	2.5L L5 F/I	33-2873 ♦	
S80 II	3.2L L6 F/I	33-2418		V70	2.4L L5 F/I	33-2176	HP-7002
S80 II	4.4L V8 F/I	33-2388		V70	2.5L L5 F/I	33-2176	HP-7002
V50	1.6L L4 DSL	33-2874		V70 II	2.0L L5 F/I	33-2670	
V50	1.6L L4 F/I	33-2877 ♦		V70 II	2.4L L5 DSL - 185BHP	33-2388	
V50	1.8L L4 F/I	33-2877 ♦		V70 II	2.4L L5 DSL - Exc., 185BHP	33-2176	
V50	2.0L L4 DSL	33-2886		V70 II	2.4L L5 F/I	33-2176	HP-7002
V50	2.0L L4 F/I	33-2877 ♦		V70 II	2.5L L5 F/I		HP-7002
V50	2.4L L5 F/I	33-2873		V70 II	2.5L L5 F/I - 300BHP	E-2019	HP-7002
V50	2.5L L5 F/I	33-2873 ♦		V70 II	2.5L L5 F/I - Exc., 300BHP	33-2176	HP-7002
V70	2.4L L5 F/I	33-2176	HP-7002	V70R	2.5L L5 F/I	E-2019	HP-7002
V70	2.5L L5 F/I	33-2176	HP-7002	XC70	2.5L L5 F/I	33-2176	HP-7002
V70 II	2.0L L5 F/I	33-2670		XC70 Cross Country	2.4L L5 DSL - from 9/05	33-2388	
V70 II	2.4L L5 DSL - 185BHP	33-2388		XC70 Cross Country	2.4L L5 DSL - to 8/05	33-2176	
V70 II	2.4L L5 DSL - Exc., 185BHP	33-2176		XC70 Cross Country	2.5L L5 F/I	33-2176	HP-7002
V70 II	2.4L L5 F/I	33-2176	HP-7002	XC90	2.4L L5 DSL	33-2280 ♦	
V70 II	2.5L L5 F/I		HP-7002	XC90	2.5L L5 F/I	33-2280	HP-7002
V70 II	2.5L L5 F/I - 300BHP	E-2019	HP-7002	XC90	2.9L L6 F/I	33-2280	HP-7002
V70 II	2.5L L5 F/I - Exc., 300BHP	33-2176	HP-7002	XC90	4.4L V8 F/I	33-2328	HP-7002
V70R	2.5L L5 F/I	E-2019	HP-7002	<b>2004 VOLVO</b>			
XC70	2.5L L5 F/I	33-2176	HP-7002	C70	2.3L L5 F/I		HP-7002
XC70 Cross Country	2.4L L5 DSL	33-2388		C70	2.4L L5 F/I		HP-7002
XC70 Cross Country	2.5L L5 F/I	33-2176	HP-7002	C70 I	2.0L L5 F/I	33-2670	
XC90	2.4L L5 DSL	33-2280		C70 I	2.3L L5 F/I	33-2670	HP-7002
XC90	2.5L L5 F/I	33-2280	HP-7002	C70 I	2.4L L5 F/I	33-2670	HP-7002
XC90	3.2L L6 F/I	33-2400		S40	1.9L L4 F/I	33-2763	HP-7002
XC90	4.4L V8 F/I	33-2328	HP-7002	S40 II	1.8L L4 F/I	33-2877 ♦	
<b>2005 VOLVO</b>				S40 II	2.0L L4 DSL	33-2886	
C70 I	2.0L L5 F/I	33-2670		S40 II	2.4L L5 F/I	33-2873	
C70 I	2.3L L5 F/I	33-2670		S40 II	2.5L L5 F/I	33-2873 ♦	HP-7002
C70 I	2.4L L5 F/I	33-2670	HP-7002	S60	2.0L L5 F/I	33-2176	HP-7002
S40	2.4L L5 F/I	33-2873	HP-7002				
S40	2.5L L5 F/I	33-2873 ♦					

\*Indicates 2 filters required

♦ - Intake kit available

Applications updated daily at [knfilters.com](http://knfilters.com) ®

# AIR & OIL FILTERS

# VOLVO

Vehicle	Engine Type	Air Filter	Oil Filter	Vehicle	Engine Type	Air Filter	Oil Filter
<b>2004 VOLVO</b>				<b>2003 VOLVO</b>			
S60	2.3L L5 F/I	33-2176	HP-7002	V40	1.9L L4 F/I	33-2763	HP-7002
S60	2.4L L5 DSL	33-2176		V40	2.0L L4 F/I	33-2763 ♦	HP-7002
S60	2.4L L5 F/I	33-2176	HP-7002	V70	2.3L L5 F/I	33-2176	HP-7002
S60	2.5L L5 F/I	33-2176	HP-7002	V70	2.4L L5 F/I	33-2176	HP-7002
S60R	2.5L L5 F/I	E-2019	HP-7002	V70	2.5L L5 F/I	33-2176	HP-7002
S80	2.0L L5 F/I	33-2152		V70 II	2.0L L5 F/I	33-2670	
S80	2.4L L5 DSL	33-2152		V70 II	2.3L L5 F/I	33-2176	HP-7002
S80	2.4L L5 F/I	33-2152	HP-7002	V70 II	2.4L L5 DSL	33-2176	
S80	2.5L L5 F/I	33-2152	HP-7002	V70 II	2.4L L5 F/I	33-2176	HP-7002
S80	2.8L L6 F/I	33-2152		V70 II	2.5L L5 F/I		HP-7002
S80	2.9L L6 F/I	33-2152	HP-7002	V70 II	2.5L L5 F/I - 300BHP	E-2019	HP-7002
S80	3.0L L6 F/I	33-2269		V70 II	2.5L L5 F/I - Exc., 300BHP	33-2176	HP-7002
V40	1.6L L4 F/I	33-2763	HP-7002	XC70	2.5L L5 F/I	33-2176	HP-7002
V40	1.8L L4 F/I	33-2763	HP-7002	XC70 Cross Country	2.4L L5 DSL	33-2176	
V40	1.9L L4 DSL	33-2763		XC70 Cross Country	2.5L L5 F/I	33-2176	HP-7002
V40	1.9L L4 F/I		HP-7002	XC90	2.4L L5 DSL	33-2280 ♦	
V40	2.0L L4 F/I	33-2763 ♦	HP-7002	XC90	2.5L L5 F/I	33-2280	HP-7002
V50	1.8L L4 F/I	33-2877 ♦		XC90	2.9L L6 F/I	33-2280	HP-7002
V50	2.0L L4 DSL	33-2886		<b>2002 VOLVO</b>			
V50	2.4L L5 F/I	33-2873		C70	2.3L L5 F/I	33-2670	HP-7002
V50	2.5L L5 F/I	33-2873 ♦		C70	2.4L L5 F/I	33-2670	HP-7002
V70	2.3L L5 F/I	33-2176	HP-7002	C70 I	2.0L L5 F/I	33-2670	
V70	2.4L L5 F/I	33-2176	HP-7002	C70 I	2.3L L5 F/I	33-2670	HP-7002
V70	2.5L L5 F/I	33-2176	HP-7002	C70 I	2.4L L5 F/I	33-2670 ♦	HP-7002
V70 II	2.0L L5 F/I	33-2670		S40	1.9L L4 F/I	33-2763	HP-7002
V70 II	2.3L L5 F/I	33-2176	HP-7002	S40 I	1.6L L4 F/I	33-2763	HP-7002
V70 II	2.4L L5 DSL	33-2176		S40 I	1.8L L4 F/I	33-2763	HP-7002
V70 II	2.4L L5 F/I	33-2176	HP-7002	S40 I	1.9L L4 DSL	33-2763	
V70 II	2.5L L5 F/I		HP-7002	S40 I	2.0L L4 F/I	33-2763 ♦	HP-7002
V70 II	2.5L L5 F/I - 300BHP	E-2019	HP-7002	S60	2.0L L5 F/I	33-2176	
V70 II	2.5L L5 F/I - Exc., 300BHP	33-2176	HP-7002	S60	2.3L L5 F/I	33-2176	HP-7002
XC70	2.5L L5 F/I	33-2176	HP-7002	S60	2.4L L5 DSL	33-2176	
XC70 Cross Country	2.4L L5 DSL	33-2176		S60	2.4L L5 F/I	33-2176	HP-7002
XC70 Cross Country	2.5L L5 F/I	33-2176	HP-7002	S80	2.0L L5 F/I	33-2152	
XC90	2.4L L5 DSL	33-2280 ♦		S80	2.4L L5 DSL	33-2152	
XC90	2.5L L5 F/I	33-2280	HP-7002	S80	2.4L L5 F/I	33-2152	HP-7002
XC90	2.9L L6 F/I	33-2280	HP-7002	S80	2.8L L6 F/I	33-2152	HP-7002
<b>2003 VOLVO</b>				S80	2.9L L6 F/I - exc. Turbo	33-2152	HP-7002
C70	2.3L L5 F/I	33-2670	HP-7002	S80	2.9L L6 F/I - Turbo	33-2269	HP-7002
C70	2.4L L5 F/I	33-2670	HP-7002	S80	3.0L L6 F/I	33-2269	
C70 I	2.0L L5 F/I	33-2670		V40	1.6L L4 F/I	33-2763	HP-7002
C70 I	2.3L L5 F/I	33-2670	HP-7002	V40	1.8L L4 F/I	33-2763	HP-7002
C70 I	2.4L L5 F/I	33-2670	HP-7002	V40	1.9L L4 DSL	33-2763	
S40	1.9L L4 F/I	33-2763	HP-7002	V40	1.9L L4 F/I	33-2763	HP-7002
S40 I	1.6L L4 F/I	33-2763	HP-7002	V40	2.0L L4 F/I	33-2763 ♦	HP-7002
S40 I	1.8L L4 F/I	33-2763	HP-7002	V70	2.3L L5 F/I	33-2176	HP-7002
S40 I	1.9L L4 DSL	33-2763		V70	2.4L L5 F/I	33-2176	HP-7002
S40 I	2.0L L4 F/I	33-2763 ♦	HP-7002	V70 II	2.0L L5 F/I	33-2670	
S60	2.0L L5 F/I	33-2176	HP-7002	V70 II	2.3L L5 F/I	33-2176	HP-7002
S60	2.3L L5 F/I	33-2176	HP-7002	V70 II	2.4L L5 DSL	33-2176	
S60	2.4L L5 DSL	33-2176		V70 II	2.4L L5 F/I	33-2176	HP-7002
S60	2.4L L5 F/I	33-2176	HP-7002	XC70 Cross Country	2.4L L5 DSL	33-2176	
S60	2.5L L5 F/I	33-2176	HP-7002	XC70 Cross Country	2.4L L5 F/I	33-2176	HP-7002
S80	2.0L L5 F/I	33-2152		XC70 Cross Country	2.5L L5 F/I	33-2176	HP-7002
S80	2.4L L5 DSL	33-2152		XC90	2.4L L5 DSL	33-2280 ♦	
S80	2.4L L5 F/I	33-2152	HP-7002	XC90	2.5L L5 F/I	33-2280	
S80	2.5L L5 F/I	33-2152		XC90	2.9L L6 F/I	33-2280	HP-7002
S80	2.8L L6 F/I	33-2152	HP-7002	<b>2001 VOLVO</b>			
S80	2.9L L6 F/I	33-2152	HP-7002	C70	2.3L L5 F/I	33-2670	HP-7002
S80	3.0L L6 F/I	33-2269		C70	2.4L L5 F/I	33-2670	HP-7002
V40	1.6L L4 F/I	33-2763	HP-7002	C70 I	2.0L L5 F/I	33-2670	
V40	1.8L L4 F/I	33-2763	HP-7002	C70 I	2.3L L5 F/I	33-2670	HP-7002
V40	1.9L L4 DSL	33-2763					

\*Indicates 2 filters required      ♦ - Intake kit available      Applications updated daily at [knfilters.com](http://knfilters.com) ®

**Partial Listing - Complete List of Vehicles and Applications at [knfilters.com](http://knfilters.com)**

# VOLVO

# AIR & OIL FILTERS

Vehicle	Engine Type	Air Filter	Oil Filter	Vehicle	Engine Type	Air Filter	Oil Filter
<b>2001 VOLVO</b>				<b>2000 VOLVO</b>			
C70 I	2.4L L5 F/I	33-2670 ♦	HP-7002	V70	2.4L L5 F/I	33-2670	HP-7002
S40	1.9L L4 F/I	33-2763	HP-7002	V70 I	2.0L L5 F/I	33-2670	HP-7002
S40 I	1.6L L4 F/I	33-2763	HP-7002	V70 I	2.3L L5 F/I	33-2670	HP-7002
S40 I	1.8L L4 F/I	33-2763	HP-7002	V70 I	2.4L L5 F/I	33-2670	HP-7002
S40 I	1.9L L4 DSL	33-2763		V70 I	2.5L L5 DSL	33-2670	
S40 I	2.0L L4 F/I	33-2763 ♦	HP-7002	V70 I	2.5L L5 F/I	33-2670	
S60	2.0L L5 F/I	33-2176		V70 II	2.4L L5 F/I	33-2176	HP-7002
S60	2.3L L5 F/I	33-2176	HP-7002	V70 II	2.5L L5 DSL	33-2176	
S60	2.4L L5 DSL	33-2176		XC70 Cross Country	2.4L L5 F/I	33-2176	HP-7002
S60	2.4L L5 F/I	33-2176	HP-7002	<b>1999 VOLVO</b>			
S80	2.0L L5 F/I	33-2152		C70	2.3L L5 F/I	33-2670	HP-7002
S80	2.4L L5 DSL	33-2152		C70	2.4L L5 F/I	33-2670	HP-7002
S80	2.4L L5 F/I	33-2152	HP-7002	C70 I	2.0L L5 F/I	33-2670	
S80	2.5L L5 DSL	33-2152		C70 I	2.3L L5 F/I	33-2670	HP-7002
S80	2.8L L6 F/I	33-2152	HP-7002	C70 I	2.4L L5 F/I	33-2670 ♦	
S80	2.9L L6 F/I	33-2152	HP-7002	C70 I	2.4L L5 F/I - exc. Turbo	33-2670	HP-1009
S80	3.0L L6 F/I	33-2269		C70 I	2.4L L5 F/I - Turbo	33-2670	HP-7002
V40	1.6L L4 F/I	33-2763	HP-7002	S40 I	1.6L L4 F/I	33-2763	HP-7002
V40	1.8L L4 F/I	33-2763	HP-7002	S40 I	1.8L L4 F/I	33-2763	HP-7002
V40	1.9L L4 DSL	33-2763		S40 I	1.9L L4 DSL	33-2763	
V40	1.9L L4 F/I	33-2763	HP-7002	S40 I	1.9L L4 F/I	33-2763 ♦	HP-7002
V40	2.0L L4 F/I	33-2763 ♦	HP-7002	S40 I	2.0L L4 F/I	33-2763 ♦	HP-7002
V70	2.3L L5 F/I	33-2176	HP-7002	S70	2.0L L5 F/I	33-2670	
V70	2.4L L5 DSL	33-2176		S70	2.3L L5 F/I	33-2670 ♦	HP-7002
V70	2.4L L5 F/I	33-2176	HP-7002	S70	2.4L L5 F/I	33-2670	HP-1009
V70 II	2.0L L5 F/I	33-2670		S70	2.5L L5 DSL	33-2670	
V70 II	2.3L L5 F/I	33-2176	HP-7002	S70	2.5L L5 F/I	33-2670	
V70 II	2.4L L5 DSL	33-2176		S80	2.0L L5 F/I	33-2152	
V70 II	2.4L L5 F/I	33-2176	HP-7002	S80	2.4L L5 F/I	33-2152	HP-7002
V70 II	2.5L L5 DSL	33-2176		S80	2.5L L5 DSL	33-2152	
XC70 Cross Country	2.4L L5 F/I	33-2176	HP-7002	S80	2.8L L6 F/I	33-2152	HP-7002
<b>2000 VOLVO</b>				S80	2.9L L6 F/I	33-2152	HP-7002
C70	2.3L L5 F/I	33-2670	HP-7002	V40	1.6L L4 F/I	33-2763	HP-7002
C70	2.4L L5 F/I	33-2670	HP-7002	V40	1.8L L4 F/I	33-2763	HP-7002
C70 I	2.0L L5 F/I	33-2670		V40	1.9L L4 DSL	33-2763	
C70 I	2.3L L5 F/I	33-2670	HP-7002	V40	1.9L L4 F/I	33-2763 ♦	HP-7002
C70 I	2.4L L5 F/I	33-2670 ♦		V40	2.0L L4 F/I	33-2763 ♦	HP-7002
C70 I	2.4L L5 F/I - exc. Turbo	33-2670	HP-1009	V70	2.3L L5 F/I	33-2670	HP-7002
C70 I	2.4L L5 F/I - Turbo	33-2670	HP-7002	V70	2.4L L5 F/I	33-2670	HP-1009
S40	1.9L L4 F/I	33-2763	HP-7002	V70 I	2.0L L5 F/I	33-2670	
S40 I	1.6L L4 F/I	33-2763	HP-7002	V70 I	2.3L L5 F/I	33-2670 ♦	HP-1009
S40 I	1.8L L4 F/I	33-2763	HP-7002	V70 I	2.4L L5 F/I	33-2670	HP-7002
S40 I	1.9L L4 DSL	33-2763		V70 I	2.5L L5 DSL	33-2670	
S40 I	1.9L L4 F/I	33-2763 ♦	HP-7002	V70 I	2.5L L5 F/I	33-2670	
S40 I	2.0L L4 F/I	33-2763 ♦	HP-7002	<b>1998 VOLVO</b>			
S60	2.3L L5 F/I	33-2176		944 II	2.3L L4 F/I	33-2526	
S60	2.4L L5 F/I	33-2176	HP-7002	945 II	2.3L L4 F/I	33-2526	
S70	2.0L L5 F/I	33-2670		C70	2.3L L5 F/I	33-2670	HP-7002
S70	2.3L L5 F/I	33-2670	HP-7002	C70	2.4L L5 F/I	33-2670	HP-7002
S70	2.4L L5 F/I	33-2670	HP-7002	C70 I	2.0L L5 F/I	33-2670	
S70	2.5L L5 DSL	33-2670		C70 I	2.3L L5 F/I	33-2670	HP-7002
S70	2.5L L5 F/I	33-2670		C70 I	2.4L L5 F/I	33-2670	
S80	2.0L L5 F/I	33-2152		C70 I	2.4L L5 F/I - exc. Turbo	33-2670	HP-1009
S80	2.4L L5 F/I	33-2152	HP-7002	C70 I	2.4L L5 F/I - Turbo	33-2670	HP-7002
S80	2.5L L5 DSL	33-2152		S40 I	1.6L L4 F/I	33-2763	HP-7002
S80	2.8L L6 F/I	33-2152	HP-7002	S40 I	1.8L L4 F/I	33-2763	HP-7002
S80	2.9L L6 F/I	33-2152	HP-7002	S40 I	1.9L L4 DSL	33-2763	
V40	1.6L L4 F/I	33-2763	HP-7002	S40 I	1.9L L4 F/I	33-2763 ♦	HP-7002
V40	1.8L L4 F/I	33-2763	HP-7002	S40 I	2.0L L4 F/I	33-2763	HP-7002
V40	1.9L L4 DSL	33-2763		S70	2.0L L5 F/I	33-2670	
V40	1.9L L4 F/I	33-2763 ♦	HP-7002	S70	2.3L L5 F/I	33-2670 ♦	HP-1009
V40	2.0L L4 F/I	33-2763 ♦	HP-7002	S70	2.4L L5 F/I	33-2670	HP-1009
V70	2.3L L5 F/I	33-2670	HP-7002	S70	2.5L L5 DSL	33-2670	

\*Indicates 2 filters required

♦ - Intake kit available

Applications updated daily at [knfilters.com](http://knfilters.com) ®

# AIR & OIL FILTERS

# VOLVO

Vehicle	Engine Type	Air Filter	Oil Filter	Vehicle	Engine Type	Air Filter	Oil Filter
<b>1998 VOLVO</b>				<b>1996 VOLVO</b>			
S70	2.5L L5 F/I	33-2670		944 II	2.4L L6 DSL	33-2043	
S80	2.0L L5 F/I	33-2152		945 II	2.3L L4 F/I	33-2526	
S80	2.8L L6 F/I	33-2152		945 II	2.4L L6 DSL	33-2043	
S80	2.9L L6 F/I	33-2152		964 II	2.5L L6 F/I	33-2526	
S90	2.9L L6 F/I	33-2755	HP-1009	964 II	2.9L L6 F/I	33-2526	HP-1009
V40	1.6L L4 F/I	33-2763	HP-7002	965 II	2.5L L6 F/I	33-2526	
V40	1.8L L4 F/I	33-2763	HP-7002	965 II	2.9L L6 F/I	33-2526	HP-1009
V40	1.9L L4 DSL	33-2763		S40 I	1.6L L4 F/I	33-2763	HP-7002
V40	1.9L L4 F/I	33-2763 ♦	HP-7002	S40 I	1.8L L4 F/I	33-2763	HP-7002
V40	2.0L L4 F/I	33-2763	HP-7002	S40 I	2.0L L4 F/I	33-2763	HP-7002
V70	2.3L L5 F/I	33-2670	HP-1009	S70	2.3L L5 F/I	33-2670 ♦	HP-7002
V70	2.4L L5 F/I	33-2670	HP-1009	V40	1.6L L4 F/I	33-2763	HP-7002
V70 I	2.0L L5 F/I	33-2670		V40	1.8L L4 F/I	33-2763	HP-7002
V70 I	2.3L L5 F/I	33-2670 ♦	HP-1009	V40	2.0L L4 F/I	33-2763	HP-7002
V70 I	2.4L L5 F/I	33-2670	HP-7002	V70 I	2.5L L5 DSL	33-2670	
V70 I	2.5L L5 DSL	33-2670		<b>1995 VOLVO</b>			
V70 I	2.5L L5 F/I	33-2670		445	1.8L L4 F/I	33-2739	
V90	2.9L L6 F/I	33-2755	HP-1009	445	1.9L L4 DSL	33-2739	
<b>1997 VOLVO</b>				445	2.0L L4 F/I	33-2739	
850	2.3L L5 F/I	33-2670	HP-1009	464	1.7L L4 F/I - B18F/FT	33-2739	
850	2.4L L5 F/I	33-2670	HP-1009	464	1.8L L4 F/I	33-2739	HP-7002
944 II	2.3L L4 F/I	33-2526		464	1.9L L4 DSL	33-2739	
945 II	2.3L L4 F/I	33-2526		464	2.0L L4 F/I	33-2739	
960	2.6L L6 F/I		HP-1009	480E	1.7L L4 F/I - B18F/FT	33-2739	
960	2.9L L6 F/I		HP-1009	480E	2.0L L4 F/I	33-2739	
C70 I	2.0L L5 F/I	33-2670		850	2.0L L5 F/I	33-2670	
C70 I	2.3L L5 F/I	33-2670	HP-7002	850	2.3L L5 F/I	33-2670 ♦	HP-1009
S40 I	1.6L L4 F/I	33-2763	HP-7002	850	2.4L L5 F/I	33-2670	HP-1009
S40 I	1.8L L4 F/I	33-2763	HP-7002	850	2.5L L5 DSL	33-2670	
S40 I	1.9L L4 DSL	33-2763		940	2.3L L4 F/I	33-2526	HP-1009
S40 I	1.9L L4 F/I	33-2763 ♦	HP-7002	944 II	2.3L L4 F/I	33-2526	HP-1009
S40 I	2.0L L4 F/I	33-2763	HP-7002	944 II	2.4L L6 DSL	33-2043	
S70	2.0L L5 F/I	33-2670		945	2.4L L6 DSL	33-2043	
S70	2.3L L5 F/I	33-2670 ♦	HP-7002	945 II	2.3L L4 F/I	33-2526	HP-1009
S70	2.4L L5 F/I	33-2670		945 II	2.4L L6 DSL	33-2043	
S70	2.5L L5 DSL	33-2670		960	2.9L L6 F/I	33-2526	
S70	2.5L L5 F/I	33-2670		964 II	2.5L L6 F/I	33-2526	
S90	2.9L L6 F/I	33-2755		964 II	2.9L L6 F/I	33-2526	HP-1009
V40	1.6L L4 F/I	33-2763	HP-7002	965 II	2.5L L6 F/I	33-2526	
V40	1.8L L4 F/I	33-2763	HP-7002	965 II	2.9L L6 F/I	33-2526	HP-1009
V40	1.9L L4 DSL	33-2763		S40 I	1.8L L4 F/I	33-2763	
V40	1.9L L4 F/I	33-2763 ♦	HP-7002	V40	1.8L L4 F/I	33-2763	
V40	2.0L L4 F/I	33-2763	HP-7002	<b>1994 VOLVO</b>			
V70 I	2.0L L5 F/I	33-2670		445	1.6L L4 F/I	33-2739	
V70 I	2.3L L5 F/I	33-2670 ♦	HP-7002	445	1.8L L4 F/I	33-2739	
V70 I	2.4L L5 F/I	33-2670		445	2.0L L4 F/I	33-2739	
V70 I	2.5L L5 DSL	33-2670		464	1.7L L4 F/I - B18F/FT	33-2739	
V70 I	2.5L L5 F/I	33-2670		464	1.8L L4 F/I	33-2739	
V90	2.9L L6 F/I	33-2755		464	2.0L L4 F/I	33-2739	
<b>1996 VOLVO</b>				480E	1.7L L4 F/I - B18F/FT	33-2739	
445	1.7L L4 F/I - B18F/FT	33-2739		480E	2.0L L4 F/I	33-2739	
445	1.8L L4 F/I	33-2739		850	2.0L L5 F/I	33-2670	
445	2.0L L4 F/I	33-2739		850	2.3L L5 F/I	33-2670 ♦	HP-1009
464	1.6L L4 F/I	33-2739		850	2.4L L5 F/I	33-2670	HP-1009
464	1.7L L4 F/I - B18F/FT	33-2739		940	2.3L L4 F/I - exc. Turbo	33-2526	HP-1009
464	1.8L L4 F/I	33-2739		940	2.3L L4 F/I - Turbo	33-2043	HP-1009
464	2.0L L4 F/I	33-2739		944	2.3L L4 F/I		HP-1009
480E	1.7L L4 F/I - B18F/FT	33-2739		944	2.3L L4 F/I - exc. Turbo, From 8/94 All	33-2526	HP-1009
850	2.0L L5 F/I	33-2670		944	2.3L L4 F/I - Turbo, To 7/94	33-2043	HP-1009
850	2.3L L5 F/I	33-2670 ♦	HP-1009	944 II	2.3L L4 F/I	33-2526	HP-1009
850	2.4L L5 F/I	33-2670	HP-1009	944 II	2.4L L6 DSL	33-2043	
850	2.5L L5 DSL	33-2670		945	2.3L L4 F/I		HP-1009
944 II	2.3L L4 F/I	33-2526					

\*Indicates 2 filters required      ♦ - Intake kit available      Applications updated daily at [knfilters.com](http://knfilters.com) ®

**Partial Listing - Complete List of Vehicles and Applications at [knfilters.com](http://knfilters.com)**

# VOLVO

# AIR & OIL FILTERS

Vehicle	Engine Type	Air Filter	Oil Filter	Vehicle	Engine Type	Air Filter	Oil Filter
<b>1994 VOLVO</b>				<b>1991 VOLVO</b>			
945	2.3L L4 F/I - exc. Turbo, From 8/94 All	33-2526	HP-1009	445	1.7L L4 CARB - B18K/KD	E-9136	
945	2.3L L4 F/I - Turbo, To 7/94	33-2043	HP-1009	445	1.7L L4 F/I - B18F/FT	33-2739	
945	2.4L L6 DSL	33-2043		445	1.8L L4 F/I	33-2739	
945 II	2.3L L4 F/I	33-2526	HP-1009	464	1.7L L4 CARB - B18K/KD	E-9136	
945 II	2.4L L6 DSL	33-2043		464	1.7L L4 F/I - B18F/FT	33-2739	
960	2.9L L6 F/I	33-2526		480E	1.7L L4 F/I - B18F/FT	33-2739	
965	2.4L L6 DSL	33-2043		740	2.3L L4 F/I		HP-1009
965	2.9L L6 F/I	33-2526	HP-1009	740	2.3L L4 F/I - exc. Turbo	33-2526	HP-1009
965 II	2.5L L6 F/I	33-2526		740	2.3L L4 F/I - Turbo	33-2043	HP-1009
965 II	2.9L L6 F/I	33-2526	HP-1009	744	2.3L L4 CARB	33-2526	
<b>1993 VOLVO</b>				744	2.3L L4 F/I	33-2526	HP-1009
240	2.3L L4 F/I	33-2538	HP-1009	745	2.3L L4 CARB	33-2526	
244	2.3L L4 F/I		HP-1009	745	2.3L L4 F/I	33-2526	HP-1009
245	2.3L L4 F/I		HP-1009	745	2.4L L6 DSL - exc. Turbo	33-2043	
445	1.7L L4 F/I - B18F/FT	33-2739		764	2.8L V6 F/I	33-2043	
464	2.0L L4 F/I	33-2739		850	2.4L L5 F/I	33-2670	
480E	1.7L L4 F/I - B18F/FT	33-2739		940	2.3L L4 F/I	33-2043	HP-1009
480E	2.0L L4 F/I	33-2739		940 GLE	2.3L L4 F/I	33-2526	HP-1009
850	2.0L L5 F/I	33-2670		945	2.3L L4 F/I		HP-1009
850	2.3L L5 F/I	33-2670 ♦		945	2.3L L4 F/I - exc. Turbo	33-2526	HP-1009
850	2.4L L5 F/I	33-2670	HP-1009	945	2.3L L4 F/I - Turbo	33-2043	HP-1009
940	2.3L L4 F/I		HP-1009	964	2.9L L6 F/I	33-2526	
940	2.3L L4 F/I - exc. Turbo	33-2526	HP-1009	<b>1990 VOLVO</b>			
940	2.3L L4 F/I - Turbo	33-2043	HP-1009	240	2.3L L4 F/I	33-2538	HP-1009
944	2.3L L4 F/I		HP-1009	245	2.3L L4 F/I		HP-1009
944	2.3L L4 F/I - exc. Turbo	33-2526	HP-1009	480E	1.7L L4 F/I - B18F/FT	33-2739	
944	2.3L L4 F/I - Turbo	33-2043	HP-1009	740	2.3L L4 F/I		HP-1009
945	2.3L L4 F/I		HP-1009	740	2.3L L4 F/I - exc. Turbo	33-2526	HP-1009
945	2.3L L4 F/I - exc. Turbo	33-2526	HP-1009	740	2.3L L4 F/I - Turbo	33-2043	HP-1009
945	2.3L L4 F/I - Turbo	33-2043	HP-1009	744	2.3L L4 CARB	33-2526	
945	2.4L L6 DSL	33-2043		744	2.3L L4 F/I		HP-1009
960	2.9L L6 F/I	33-2526		744	2.3L L4 F/I - exc. Turbo	33-2526	HP-1009
965	2.9L L6 F/I	33-2526	HP-1009	744	2.3L L4 F/I - Turbo	33-2043	HP-1009
<b>1992 VOLVO</b>				745	2.3L L4 CARB	33-2526	
240	2.3L L4 F/I	33-2538	HP-1009	745	2.3L L4 F/I		HP-1009
245	2.3L L4 F/I		HP-1009	745	2.3L L4 F/I - exc. Turbo	33-2526	HP-1009
464	1.7L L4 CARB - B18K/KD	E-9136		745	2.3L L4 F/I - Turbo	33-2043	HP-1009
464	1.8L L4 F/I	33-2739		745	2.4L L6 DSL - exc. Turbo	33-2043	
480E	1.7L L4 F/I - B18F/FT	33-2739		760	2.3L L4 F/I	33-2043	HP-1009
480E	2.0L L4 F/I	33-2739		760	2.8L V6 F/I	33-2043	HP-1009
740	2.3L L4 F/I		HP-1009	780	2.3L L4 F/I	33-2043	HP-1009
740	2.3L L4 F/I - exc. Turbo	33-2526	HP-1009	944	2.3L L4 F/I - exc. Turbo	33-2526	
740	2.3L L4 F/I - Turbo	33-2043	HP-1009	944	2.3L L4 F/I - Turbo	33-2043	
745	2.3L L4 CARB	33-2526		945	2.3L L4 F/I - exc. Turbo	33-2526	
745	2.3L L4 F/I	33-2526	HP-1009	945	2.3L L4 F/I - Turbo	33-2043	
850	2.0L L5 F/I	33-2670		<b>1989 VOLVO</b>			
850	2.4L L5 F/I	33-2670		242	2.3L L4 F/I		HP-1009
940	2.3L L4 F/I	33-2043	HP-1009	242	2.3L L4 F/I - 133BHP	33-2538	HP-1009
940 GL	2.3L L4 F/I	33-2526	HP-1009	242	2.4L L6 DSL	33-2003	
944	2.3L L4 F/I		HP-1009	244	2.3L L4 F/I		HP-1009
944	2.3L L4 F/I - exc. Turbo	33-2526	HP-1009	244	2.3L L4 F/I - 133BHP	33-2538	HP-1009
944	2.3L L4 F/I - Turbo	33-2043	HP-1009	244	2.4L L6 DSL	33-2003	
945	2.3L L4 F/I		HP-1009	245	2.3L L4 F/I		HP-1009
945	2.3L L4 F/I - exc. Turbo	33-2526	HP-1009	245	2.4L L6 DSL	33-2003	
945	2.3L L4 F/I - Turbo	33-2043	HP-1009	740	2.3L L4 F/I		HP-1009
960	2.9L L6 F/I		HP-1009	740	2.3L L4 F/I - exc. Turbo	33-2526	HP-1009
964	2.9L L6 F/I	33-2526	HP-1009	740	2.3L L4 F/I - Turbo	33-2043	HP-1009
<b>1991 VOLVO</b>				744	2.3L L4 CARB	33-2526	
240	2.3L L4 F/I	33-2538	HP-1009	744	2.3L L4 F/I - exc. Turbo	33-2526	
245	2.3L L4 F/I		HP-1009	744	2.3L L4 F/I - Turbo	33-2043	
245	2.4L L6 DSL	33-2003					

\*Indicates 2 filters required

♦ - Intake kit available

Applications updated daily at [knfilters.com](http://knfilters.com) ®

# AIR & OIL FILTERS

# VOLVO

Vehicle	Engine Type	Air Filter	Oil Filter
<b>1989 VOLVO</b>			
745	2.3L L4 CARB	33-2526	
745	2.3L L4 F/I		HP-1009
745	2.3L L4 F/I - exc. Turbo	33-2526	HP-1009
745	2.3L L4 F/I - Turbo	33-2043	HP-1009
760	2.3L L4 F/I	33-2043	HP-1009
760	2.8L V6 F/I	33-2043	HP-1009

Vehicle	Engine Type	Air Filter	Oil Filter
<b>1988 VOLVO</b>			
242	2.3L L4 F/I		HP-1009
242	2.3L L4 F/I - 133BHP	33-2538	HP-1009
244	2.3L L4 F/I		HP-1009
244	2.3L L4 F/I - 133BHP	33-2538	HP-1009
244	2.4L L6 DSL	33-2003	
245	2.3L L4 F/I		HP-1009
245	2.3L L4 F/I - 133BHP	33-2538	HP-1009
480E	1.7L L4 F/I - B18F/FT	33-2739	
740	2.3L L4 F/I		HP-1009
740	2.3L L4 F/I - exc. Turbo	33-2526	HP-1009
740	2.3L L4 F/I - Turbo	33-2043	HP-1009
744	2.3L L4 CARB	33-2526	
744	2.3L L4 F/I		HP-1009
744	2.3L L4 F/I - exc. Turbo	33-2526	HP-1009
744	2.3L L4 F/I - Turbo	33-2043	HP-1009
745	2.3L L4 CARB	33-2526	
745	2.3L L4 F/I		HP-1009
745	2.3L L4 F/I - exc. Turbo	33-2526	HP-1009
745	2.3L L4 F/I - Turbo	33-2043	HP-1009
760	2.3L L4 F/I	33-2043	HP-1009
760	2.8L V6 F/I	33-2043	HP-1009

Vehicle	Engine Type	Air Filter	Oil Filter
<b>1987 VOLVO</b>			
242	2.3L L4 F/I		HP-1009
242	2.3L L4 F/I - 133BHP	33-2538	HP-1009
244	2.3L L4 F/I		HP-1009
244	2.3L L4 F/I - 133BHP	33-2538	HP-1009
245	2.3L L4 F/I		HP-1009
245	2.3L L4 F/I - 133BHP	33-2538	HP-1009
740	2.3L L4 F/I		HP-1009
740	2.3L L4 F/I - exc. Turbo	33-2526	HP-1009
740	2.3L L4 F/I - Turbo	33-2043	HP-1009
744	2.3L L4 CARB	33-2526	
744	2.3L L4 F/I		HP-1009
744	2.3L L4 F/I - exc. Turbo	33-2526	HP-1009
744	2.3L L4 F/I - Turbo	33-2043	HP-1009
745	2.3L L4 CARB	33-2526	
745	2.3L L4 F/I		HP-1009
745	2.3L L4 F/I - exc. Turbo	33-2526	HP-1009
745	2.3L L4 F/I - Turbo	33-2043	HP-1009
760	2.3L L4 F/I	33-2043	HP-1009
760	2.8L V6 F/I	33-2043	HP-1009

Vehicle	Engine Type	Air Filter	Oil Filter
<b>1986 VOLVO</b>			
242	2.3L L4 F/I		HP-1009
242	2.3L L4 F/I - 133BHP	33-2538	HP-1009
244	2.3L L4 F/I		HP-1009
244	2.3L L4 F/I - 133BHP	33-2538	HP-1009
244	2.4L L6 DSL	33-2003	
245	2.3L L4 F/I		HP-1009
245	2.3L L4 F/I - 133BHP	33-2538	HP-1009
344	1.7L L4 F/I	E-1447	
740	2.3L L4 F/I		HP-1009
740	2.3L L4 F/I - exc. Turbo	33-2526	HP-1009
740	2.3L L4 F/I - Turbo	33-2043	HP-1009
740	2.4L L6 DSL	33-2526	HP-3001
745	2.4L L6 DSL		HP-3001

Vehicle	Engine Type	Air Filter	Oil Filter
<b>1986 VOLVO</b>			
760	2.3L L4 F/I	33-2043	HP-1009
<b>1985 VOLVO</b>			
242	2.3L L4 F/I		HP-1009
242	2.3L L4 F/I - 133BHP	33-2538	HP-1009
244	2.3L L4 F/I	33-2538	HP-1009
245	2.3L L4 F/I	33-2538	HP-1009
740	2.3L L4 F/I		HP-1009
740	2.3L L4 F/I - exc. Turbo	33-2526	HP-1009
740	2.3L L4 F/I - Turbo	33-2043	HP-1009
760	2.4L L6 DSL	33-2043	HP-3001

Vehicle	Engine Type	Air Filter	Oil Filter
<b>1984 VOLVO</b>			
242	2.1L L4 F/I - 155BHP	33-2538	
242	2.1L L4 F/I - Exc., 155BHP	E-9032	
244	2.1L L4 F/I - 155BHP	33-2538	
244	2.1L L4 F/I - Exc., 155BHP	E-9032	
244	2.3L L4 F/I	33-2538	
245	2.1L L4 F/I - 155BHP	33-2538	
245	2.1L L4 F/I - Exc., 155BHP	E-9032	
245	2.3L L4 F/I	33-2538	
745	2.4L L6 DSL	33-2043	HP-3001

Vehicle	Engine Type	Air Filter	Oil Filter
<b>1983 VOLVO</b>			
242	2.1L L4 F/I - 155BHP	33-2538	
242	2.1L L4 F/I - Exc., 115BHP	E-9032	
242	2.1L L4 F/I - Exc., 155BHP	E-9032	
242	2.3L L4 F/I	33-2538	
244	2.1L L4 F/I - 155BHP	33-2538	
244	2.1L L4 F/I - Exc., 155BHP	E-9032	
244	2.3L L4 F/I	33-2538	
245	2.1L L4 F/I - 155BHP	33-2538	

Vehicle	Engine Type	Air Filter	Oil Filter
<b>1982 VOLVO</b>			
242	2.1L L4 F/I - 155BHP	33-2538	
244	2.1L L4 F/I - 155BHP	33-2538	
244	2.1L L4 F/I - Exc., 155BHP	E-9032	
245	2.1L L4 F/I - 155BHP	33-2538	

Vehicle	Engine Type	Air Filter	Oil Filter
<b>1981 VOLVO</b>			
242	2.1L L4 F/I - Turbo	33-2538	
244	2.1L L4 F/I - 155BHP	33-2538	
244	2.1L L4 F/I - Exc., 155BHP	E-9032	
245	2.1L L4 F/I - 155BHP	33-2538	

Vehicle	Engine Type	Air Filter	Oil Filter
<b>1980 VOLVO</b>			
242	2.1L L4 F/I - 155BHP	33-2538	
242	2.1L L4 F/I - Exc., 155BHP	E-9032	
242	2.3L L4 CARB	33-2538	
244	2.1L L4 F/I - 155BHP	33-2538	

Vehicle	Engine Type	Air Filter	Oil Filter
<b>1979 VOLVO</b>			
242	2.1L L4 F/I	33-2538	
242	2.3L L4 CARB	33-2538	
244	2.1L L4 F/I	33-2538	
245	2.1L L4 F/I	33-2538	

Vehicle	Engine Type	Air Filter	Oil Filter
<b>1978 VOLVO</b>			
244	2.1L L4 F/I	33-2538	

Vehicle	Engine Type	Air Filter	Oil Filter
<b>1975 VOLVO</b>			
164	3.0L L6 F/I	E-2840	HP-1009

\*Indicates 2 filters required      ♦ - Intake kit available      Applications updated daily at [knfilters.com](http://knfilters.com) ®

Partial Listing - Complete List of Vehicles and Applications at [knfilters.com](http://knfilters.com)

# VOLVO

# AIR & OIL FILTERS

Vehicle	Engine Type	Air Filter	Oil Filter
<b>1974 VOLVO</b>			
164	3.0L L6 F/I	E-2840	HP-1009
<b>1973 VOLVO</b>			
164	3.0L L6 F/I	E-2840	HP-1009
<b>1970 VOLVO</b>			
142	2.0L L4 CARB	33-2001	HP-1009
142	2.0L L4 F/I - 124BHP	E-2360	
142	2.0L L4 F/I - 82/101BHP	33-2001	
<b>1968 VOLVO</b>			
122	112 L4 CARB		HP-1009
<b>1967 VOLVO</b>			
122	112 L4 CARB		HP-1009
<b>1966 VOLVO</b>			
122	112 L4 CARB		HP-1009
<b>1965 VOLVO</b>			
122	112 L4 CARB		HP-1009
<b>2007 WORKHORSE</b>			
Chevrolet Chassis W42	6.0L V8 F/I - Class C	E-1008	
	4.5L DSL		FF-4604
<b>2006 WORKHORSE</b>			
Chevrolet Chassis	6.0L V8 F/I - Class C	E-1008	
<b>2011 YAMAHA</b>			
FJR1300A	1300	YA-1301	
FZ1	1000	YA-1006	
FZ6R	600	YA-6009	
FZ8	800	YA-1006	
TTR125LE	125	YA-1201	
VMX1700 V-Max	1700	YA-1709	
WR250F	250	YA-4503	KN-140
WR250R	250	YA-3586	KN-140
WR250X	250	YA-3586	KN-140
WR450F	450	YA-4503	KN-140
XT660R	660	YA-6604	
XT660X	660	YA-6604	
XT660Z Tenere	660	YA-6608	
XV250 V-Star	250		KN-145
XV1700 Road Star S	1700	YA-1704	KN-303
		YA-1704	KN-303C
			KN-303
			KN-303C
XV1700 Road Star Silverado S	1700		KN-303C
			KN-303
			KN-303C
XV1900 Raider	1900	YA-1906	KN-303
		YA-1906	KN-303C
XV1900 Raider S	1900	YA-1906	KN-303
		YA-1906	KN-303C
XV1900 Roadliner S	1900	YA-1906	
XV1900 Stratoliner Deluxe	1900	YA-1906	KN-303
		YA-1906	KN-303C
XVS13CA Stryker	1300	YA-1307	
XVS650 V-Star Custom	650	YA-6598	KN-145
XVS950 Midnight Star	950		KN-204
			KN-204C
XVS950 V-Star	950	YA-1307	KN-204
		YA-1307	KN-204C
XVS950 V-Star Tourer	950	YA-1307	KN-204

Vehicle	Engine Type	Air Filter	Oil Filter
<b>2011 YAMAHA</b>			
XVS950 V-Star Tourer	950	YA-1307	KN-204C
XVS1300 V-Star	1300	YA-1307	
XVS1300 V-Star Tourer	1300	YA-1307	
XVZ1300 Royal Star Venture S	1300	YA-1399	KN-303
		YA-1399	KN-303C
YFM125 Grizzly Auto	125		YA-2088
YFM125 Raptor	125		YA-2088
YFM250R Raptor	250		YA-2088
YFM350 Grizzly Auto 2x4	350		YA-3504
YFM350 Grizzly Auto 4x4	350		YA-3504
YFM350 Grizzly Auto 4x4 IRS	350		YA-3504
YFM450 Grizzly Auto 4x4 IRS	450		YA-3504
YFM450FX Wolverine Auto 4x4	450		YA-3504
YFM550F Grizzly FI Auto 4x4	550		YA-7007
YFM550F Grizzly FI Auto 4x4 EPS	550		YA-7007
YFM700F Grizzly FI Auto 4x4 EPS	700		YA-7007
YFM700F Grizzly FI Auto 4x4 EPS SE	700		YA-7007
YFM700R Raptor	700		KN-145
YFM700R Raptor SE	700		KN-145
YFZ450R	450	YA-4504	KN-140
YFZ450X	449	YA-4504	KN-140
YXR700 Rhino FI Auto 4x4	700	YA-7008	KN-204
		YA-7008	KN-204C
YXR700 Rhino FI Auto 4x4 Hunter Edition	700	YA-7008	KN-204
		YA-7008	KN-204C
YXR700 Rhino FI Auto 4x4 SE	700	YA-7008	KN-204
		YA-7008	KN-204C
YXR700 Rhino FI Auto 4x4 Sport Edition	700	YA-7008	KN-204
		YA-7008	KN-204C
YZ125	125	YA-2506XD	
YZ250	250	YA-2506XD	KN-140
YZ250F	250	YA-2506XD	KN-140
YZ450F	450	YA-4510	KN-140
YZF R1	998	YA-1009	KN-204
		YA-1009	KN-204C
YZF R1	998 - Race Specific	YA-1009R	KN-204
YZF R6	584		KN-204
			KN-204C
<b>2010 YAMAHA</b>			
FJR1300A	1300	YA-1301	
FZ1	1000	YA-1006	
FZ6R	600	YA-6009	
FZ8	800	YA-1006	
T135	135	YA-1306	

\*Indicates 2 filters required    ♦ - Intake kit available    Applications updated daily at [knfilters.com](http://knfilters.com) ®



# AIR & OIL FILTERS

# YAMAHA

Vehicle	Engine Type	Air Filter	Oil Filter	Vehicle	Engine Type	Air Filter	Oil Filter
<b>2010 YAMAHA</b>				<b>2010 YAMAHA</b>			
VMX1700 V-Max	1700	YA-1709		YFM550F Grizzly FI Auto 4x4 EPS SE	550	YA-7007	
VP125 X-City	125		KN-141	YFM700F Grizzly FI Auto 4x4 EPS	700	YA-7007	KN-204
WR250R	250	YA-3586				YA-7007	KN-204C
WR250X	250	YA-3586					
XP500 T-Max	500	YA-5008					
XT660R	660	YA-6604	KN-145	YFM700F Grizzly FI Auto 4x4 EPS SE	700	YA-7007	KN-204
XT660X	660	YA-6604	KN-145				
XT660X Super Motard	660	YA-6604				YA-7007	KN-204C
XT660Z Tenere	660	YA-6608	KN-145	YFM700R Raptor	700		KN-145
XT1200Z Super Tenere	1199	YA-1210		YFM700R Raptor SE	700		KN-145
XV1700 Road Star	1700	YA-1704		YFZ450 RSE Special Edition	450		KN-140
XV1700 Road Star S	1700	YA-1704		YFZ450 XBB Bill Ballance Edition	450		KN-140
XV1700 Road Star Silverado	1700	YA-1704		YFZ450R	450	YA-4504	
XV1700 Road Star Silverado S	1700	YA-1704		YFZ450X	449	YA-4504	KN-140
XV1900 Raider	1900	YA-1906		YP125R X-Max	125		KN-141
XV1900 Raider S	1900	YA-1906		YP400 Majesty	400		KN-132
XV1900 Roadliner S	1900	YA-1906		YZ250	250	YA-2506XD	
XV1900 Stratoliner	1900	YA-1906		YZ450F	450	YA-4510	KN-140
XVS650 V-Star Classic	650	YA-6598		YZF R1	998	YA-1009	
XVS650 V-Star Custom	650	YA-6598		YZF R1	998 - Race Specific	YA-1009R	
XVS650 V-Star Midnight Custom	650	YA-6598		YZF R6	584	YA-6008	KN-204
XVS650 V-Star Silverado	650	YA-6598				YA-6008	KN-204C
XVS950 V-Star	950	YA-1307		YZF R6	584 - Race Specific	YA-6008R	KN-204
XVZ1300 Royal Star Tour Deluxe	1300	YA-1399		<b>2009 YAMAHA</b>			
XVZ1300 Royal Star Venture	1300	YA-1399		FAT1100 212SS	998		KN-204
XVZ1300 Royal Star Venture S	1300	YA-1399					KN-204C
YFM250R Raptor	250	YA-2088		FAT1100 212SS Eng 2	998		KN-204
YFM350 Grizzly Auto 2x4	350	YA-3504	KN-204				KN-204C
		YA-3504	KN-204C	FAT1100 212X Eng 1	998		KN-204
							KN-204C
				FAT1100 212X Eng 2	998		KN-204
							KN-204C
YFM350 Grizzly Auto 4x4	350	YA-3504	KN-204	FJR1300A	1300	YA-1301	KN-148
		YA-3504	KN-204C	FJR1300AE	1300		KN-148
				FJR1300AS	1300	YA-1301	KN-148
				FRT1100 AR210 Eng 1	998		KN-204
							KN-204C
YFM350 Grizzly Auto 4x4 IRS	350	YA-3504	KN-204	FRT1100 AR210 Eng 2	998		KN-204
		YA-3504	KN-204C				KN-204C
YFM350 Grizzly IRS Hunter	350		KN-204	FZ1	1000	YA-1006	KN-204
			KN-204C			YA-1006	KN-204C
				FZ1 Fazer	1000	YA-1006	KN-204
YFM400 Big Bear Hunter IRS	400		KN-142			YA-1006	KN-204C
YFM400 Big Bear IRS 4x4	400		KN-142	FZ6	600	YA-6004	KN-204
YFM450 Grizzly Auto 4x4 IRS	450	YA-3504				YA-6004	KN-204C
YFM450FX Wolverine Auto 4x4	450	YA-3504	KN-204	FZ6 Fazer S2	600		KN-204
		YA-3504	KN-204C				KN-204C
				FZ6 S2	600	YA-6004	KN-204
						YA-6004	KN-204C
YFM550F Grizzly FI Auto 4x4	550	YA-7007	KN-204	FZ6R	600	YA-6009	KN-204
		YA-7007	KN-204C			YA-6009	KN-204C
				MT01	1700	YA-1605	KN-303
						YA-1605	KN-303C
				MT03	660	YA-6604	KN-145
YFM550F Grizzly FI Auto 4x4 EPS	550	YA-7007		SXT1100 232 Limited Eng 1	998		KN-204

\*Indicates 2 filters required    ♦ - Intake kit available    Applications updated daily at [knfilters.com](http://knfilters.com) ®

**Partial Listing - Complete List of Vehicles and Applications at [knfilters.com](http://knfilters.com)**

# YAMAHA

# AIR & OIL FILTERS

Vehicle	Engine Type	Air Filter	Oil Filter	Vehicle	Engine Type	Air Filter	Oil Filter
<b>2009 YAMAHA</b>				<b>2009 YAMAHA</b>			
SXT1100 232 Limited Eng 1	998		KN-204C	XV1700 Road Star	1700	YA-1704	KN-303C
SXT1100 232 Limited Eng 2	998		KN-204	XV1700 Road Star Silverado	1700	YA-1704	KN-303
			KN-204C			YA-1704	KN-303C
SXT1100 232 Limited S	1100		KN-204	XV1700 Road Star Silverado S	1700	YA-1704	KN-303
			KN-204C			YA-1704	KN-303C
SXT1100 AR230 H.O. Eng 1	998		KN-204	XV1700 Road Star Warrior	1670	YA-1602	KN-303
			KN-204C			YA-1602	KN-303C
SXT1100 AR230 H.O. Eng 2	998		KN-204	XV1900 Midnight Star	1900	YA-1906	KN-303
			KN-204C	XV1900 Raider	1900	YA-1906	KN-303C
SXT1100 SX230 H.O.	998		KN-204	XV1900 Raider S	1900	YA-1906	KN-303
			KN-204C			YA-1906	KN-303C
SXT1100 SX230 H.O. Eng 2	998		KN-204	XV1900 Roadliner Midnight	1900	YA-1906	KN-303
			KN-204C			YA-1906	KN-303C
T135	135	YA-1306		XV1900 Roadliner S	1900	YA-1906	KN-303
TDM900	900	YA-9002	KN-145			YA-1906	KN-303C
TDM900A	900	YA-9002	KN-145	XV1900 Stratoliner	1900	YA-1906	KN-303
TTR125E	125	YA-1201				YA-1906	KN-303C
TTR125LE	125	YA-1201		XV1900 Stratoliner S	1900	YA-1906	KN-303
TTR230	230		KN-143			YA-1906	KN-303C
TW200	200		KN-143	XVS650 V-Star Classic	650	YA-6598	KN-145
VMX1700 V-Max	1700	YA-1709	KN-303	XVS650 V-Star Custom	650	YA-6598	KN-145
		YA-1709	KN-303C	XVS650 V-Star Midnight Custom	650	YA-6598	KN-145
VP125 X-City	125		KN-141	XVS650 V-Star Silverado	650	YA-6598	KN-145
VX1100	1100		KN-204	XVS950 Midnight Star	950	YA-1307	KN-204
			KN-204C			YA-1307	KN-204C
VX1100A Cruiser	1100		KN-204	XVS950 V-Star	950	YA-1307	KN-204
			KN-204C			YA-1307	KN-204C
VX1100B Deluxe	1100		KN-204	XVS950 V-Star Tourer	950	YA-1307	KN-204
			KN-204C			YA-1307	KN-204C
VX1100C Sport	1100		KN-204			YA-1307	KN-204
WR250F	250	YA-4503	KN-140			YA-1307	KN-204C
WR250R	250	YA-3586	KN-140				
WR250X	250	YA-3586	KN-140	XVS1100 V-Star Classic	1100	YA-1199	KN-145
WR450F	450	YA-4503	KN-140	XVS1100 V-Star Custom	1100	YA-1199	KN-145
XC125 Cygnus X	125	YA-1202	KN-204	XVS1100 V-Star Midnight Custom	1100	YA-1199	KN-145
XJ6	600	YA-6009	KN-204C	XVS1100 V-Star Silverado	1100	YA-1199	KN-145
		YA-6009	KN-204	XVS1300 V-Star	1300	YA-1307	KN-147
XJ6 Diversion	600	YA-6009	KN-204	XVS1300 V-Star Tourer	1300	YA-1307	KN-147
		YA-6009	KN-204C	XVS1300A Midnight Star	1300	YA-1307	KN-147
XJR1300	1235		KN-401	XVZ1300 Royal Star Tour Deluxe	1300	YA-1399	KN-303
XP500 T-Max	500	YA-5008	KN-147			YA-1399	KN-303C
XT250	250		KN-140				
XT660R	660	YA-6604	KN-145	XVZ1300 Royal Star Tour Deluxe S	1300		KN-303
XT660X Super Motard	660	YA-6604	KN-145				KN-303C
XT660Z Tenere	660	YA-6608	KN-145				
XV250 Virago	250		KN-145				
XV250 V-Star	250		KN-145				
XV1700 Road Star	1700	YA-1704	KN-303				
		YA-1704	KN-303C				
XV1700 Road Star Midnight Warrior	1700	YA-1602	KN-303				
		YA-1602	KN-303C				
XV1700 Road Star S	1700	YA-1704	KN-303				

\*Indicates 2 filters required    ♦ - Intake kit available    Applications updated daily at [knfilters.com](http://knfilters.com) ®

# AIR & OIL FILTERS

# YAMAHA

Vehicle	Engine Type	Air Filter	Oil Filter	Vehicle	Engine Type	Air Filter	Oil Filter
<b>2009 YAMAHA</b>				<b>2009 YAMAHA</b>			
XVZ1300 Royal Star Venture S	1300	YA-1399	KN-303	YFM700F Grizzly FI Auto 4x4	700	YA-7007	KN-204C
		YA-1399	KN-303C	YFM700F Grizzly FI Auto 4x4 EPS	700	YA-7007	KN-204
YFM125 Grizzly Auto	125	YA-2088				YA-7007	KN-204C
YFM250 Big Bear	230	YA-4001	KN-143				
YFM250 RSE Raptor SE	250		KN-140	YFM700F Grizzly FI Auto 4x4 EPS SE	700	YA-7007	KN-204
YFM250 RSE2 Raptor SE2	250		KN-140			YA-7007	KN-204C
YFM250R Raptor	250	YA-2088	KN-140	YFM700F Grizzly SE	700		KN-204
YFM350 Grizzly Auto 2x4	346	YA-3504	KN-204	YFM700R Raptor	700		KN-204C
		YA-3504	KN-204C	YFM700R Raptor SE	700		KN-145
YFM350 Grizzly Auto 4x4	346	YA-3504	KN-204	YFZ450	439	YA-4504	KN-140
		YA-3504	KN-204C	YFZ450 RSE Special Edition	450		KN-140
YFM350 Grizzly Auto 4x4 IRS	346	YA-3504	KN-204	YFZ450R	450	YA-4504	KN-140
		YA-3504	KN-204C	YJ125 Vino	125		KN-143
YFM350 Grizzly IRS Hunter	350		KN-204	YP125R X-Max	125		KN-141
			KN-204C	YP400 Majesty	400		KN-132
YFM350R Raptor	350		KN-142	YXR450 Rhino Auto 4x4	450	YA-6504	KN-204
YFM350X Wolverine 2x4	350	YA-3504	KN-204			YA-6504	KN-204C
		YA-3504	KN-204C	YXR700 Rhino FI Auto 4x4	700	YA-7008	KN-204
YFM400 Big Bear Hunter IRS	400		KN-142			YA-7008	KN-204C
YFM400 Big Bear IRS 4x4	384	YA-4001	KN-142	YXR700 Rhino FI Auto 4x4 SE	700	YA-7008	KN-204
YFM450 Grizzly Auto 4x4	450		KN-204			YA-7008	KN-204C
			KN-204C	YZ125	125	YA-2506XD	
YFM450 Grizzly Auto 4x4 Hunter	450		KN-204	YZ250	250	YA-2506XD	
			KN-204C	YZ250F	250	YA-2506XD	KN-140
YFM450 Grizzly Auto 4x4 IRS	416	YA-3504	KN-204	YZ450F	450	YA-2506XD	KN-140
		YA-3504	KN-204C	YZF R1	998	YA-1009	KN-204
YFM450FX Wolverine Auto 4x4	450	YA-3504	KN-204	YZF R1	998 - Race Specific	YA-1009R	KN-204
		YA-3504	KN-204C	YZF R6	584	YA-6008	KN-204
YFM550F Grizzly FI Auto 4x4	550	YA-7007	KN-204	YZF R6	584 - Race Specific	YA-6008R	KN-204
		YA-7007	KN-204C	YZF R6S	600	YA-6001	KN-303
YFM550F Grizzly FI Auto 4x4 EPS	550	YA-7007	KN-204	YZF R125	125	YA-6001	KN-303C
		YA-7007	KN-204C				KN-141
YFM550F Grizzly FI Auto 4x4 EPS SE	550	YA-7007	KN-204	<b>2008 YAMAHA</b>			
		YA-7007	KN-204C	CP250 Morphous	250		KN-132
YFM700F Grizzly Ducks Unlimited Edition	700		KN-204	FAT1100 212SS	998		KN-204
			KN-204C	FAT1100 212SS Eng 2	998		KN-204C
YFM700F Grizzly FI Auto 4x4	700	YA-7007	KN-204	FAT1100 212X Eng 1	998		KN-204
			KN-204C	FAT1100 212X Eng 2	998		KN-204
			KN-204C	FJR1300A	1300	YA-1301	KN-148
			KN-204C	FJR1300AS	1300	YA-1301	KN-148

\*Indicates 2 filters required    ♦ - Intake kit available    Applications updated daily at [knfilters.com](http://knfilters.com) ®

**Partial Listing - Complete List of Vehicles and Applications at [knfilters.com](http://knfilters.com)**

# YAMAHA

# AIR & OIL FILTERS

Vehicle	Engine Type	Air Filter	Oil Filter	Vehicle	Engine Type	Air Filter	Oil Filter
<b>2008 YAMAHA</b>				<b>2008 YAMAHA</b>			
FRT1100 AR210 Eng 1	998		KN-204	SXT1100 SX230 H.O. Eng 2	998		KN-204C
			KN-204C	T135	135	YA-1306	
FRT1100 AR210 Eng 2	998		KN-204	TDM900	900	YA-9002	KN-145
			KN-204C	TDM900A	900	YA-9002	KN-145
FRT1100 SX210	998		KN-204	TTR125E	125	YA-1201	
			KN-204C	TTR125L	125	YA-1201	
FRT1100 SX210 Eng 2	998		KN-204	TTR125LE	125	YA-1201	
			KN-204C	TTR230	230		KN-143
FX1000 WaveRunner Cruiser	998		KN-204	TW200	200		KN-143
			KN-204C	VP125 X-City	125		KN-141
FX1000 WaveRunner FX	998		KN-204	VX1100 WaveRunner Cruiser	998		KN-204
			KN-204C				KN-204C
FX1100 WaveRunner H.O.	998		KN-204	VX1100 WaveRunner Deluxe	998		KN-204
			KN-204C				KN-204C
FZ1	1000	YA-1006	KN-204	VX1100 WaveRunner Sport	998		KN-204
		YA-1006	KN-204C				KN-204C
FZ1 Fazer	1000	YA-1006	KN-204	VX1100 WaveRunner VX	998		KN-204
		YA-1006	KN-204C				KN-204C
FZ1N	1000	YA-1006	KN-204	WR250F	250	YA-4503	KN-141
		YA-1006	KN-204C	WR250R	250	YA-3586	KN-141
FZ1S	1000	YA-1006	KN-204	WR250X	250	YA-3586	KN-141
		YA-1006	KN-204C	WR450F	450	YA-4503	KN-141
FZ6	600	YA-6004	KN-204	XC125 Cygnus X	125	YA-1202	
		YA-6004	KN-204C	XG250 Tricker	250		KN-141
FZ6 Fazer S2	600	YA-6004	KN-204	XJR1300	1235		KN-401
		YA-6004	KN-204C	XP500 T-Max	500	YA-5008	KN-147
FZ6 S2	600	YA-6004	KN-204	XT250	250		KN-141
		YA-6004	KN-204C	XT250X	250		KN-141
FZ6N	600	YA-6004	KN-204	XT660	660	YA-6604	KN-145
		YA-6004	KN-204C	XT660R	660	YA-6604	KN-145
FZ6S	600	YA-6004	KN-204	XT660X Super Motard	660	YA-6604	KN-145
		YA-6004	KN-204C	XT660Z Tenere	660	YA-6608	KN-145
MT01	1700	YA-1605	KN-303	XV250 Virago	250		KN-145
		YA-1605	KN-303C	XV250 V-Star	250		KN-145
MT03	660	YA-6604	KN-145	XV1700 Road Star	1700	YA-1704	KN-303
PW80	80	YA-8083		XV1700 Road Star Midnight Warrior	1700	YA-1704	KN-303C
SR400	400	YA-4092	KN-145			YA-1602	KN-303
SXT1100 232 Limited Eng 1	998		KN-204			YA-1602	KN-303C
			KN-204C	XV1700 Road Star S	1700	YA-1704	KN-303
SXT1100 232 Limited Eng 2	998		KN-204	XV1700 Road Star Silverado	1700	YA-1704	KN-303C
			KN-204C			YA-1704	KN-303
SXT1100 AR230 H.O. Eng 1	998		KN-204	XV1700 Road Star Silverado S	1700	YA-1704	KN-303
			KN-204C			YA-1704	KN-303C
SXT1100 AR230 H.O. Eng 2	998		KN-204	XV1700 Road Star Warrior	1670	YA-1602	KN-303
			KN-204C			YA-1602	KN-303C
SXT1100 SX230 H.O. Eng 2	998		KN-204	XV1900 Midnight Star	1900	YA-1906	KN-303
			KN-204C			YA-1906	KN-303C
SXT1100 SX230 H.O. Eng 2	998		KN-204	XV1900 Raider	1900	YA-1906	KN-303
			KN-204C			YA-1906	KN-303C

\*Indicates 2 filters required

◆ - Intake kit available

Applications updated daily at [knfilters.com](http://knfilters.com) ®

# AIR & OIL FILTERS

# YAMAHA

Vehicle	Engine Type	Air Filter	Oil Filter	Vehicle	Engine Type	Air Filter	Oil Filter
<b>2008 YAMAHA</b>				<b>2008 YAMAHA</b>			
XV1900 Raider S	1900	YA-1906	KN-303	YFM350 Grizzly Auto 346		YA-3504	KN-204
		YA-1906	KN-303C	4x4			
XV1900 Roadliner Midnight	1900	YA-1906	KN-303			YA-3504	KN-204C
		YA-1906	KN-303C	YFM350 Grizzly Auto 346		YA-3504	KN-204
XV1900 Roadliner S	1900	YA-1906	KN-303	4x4 IRS			
		YA-1906	KN-303C			YA-3504	KN-204C
XV1900 Stratoliner	1900		KN-303	YFM350 Grizzly IRS Hunter	350		KN-204
			KN-303C				KN-204C
XV1900 Stratoliner Midnight	1900	YA-1906	KN-303	YFM350R Raptor	350		KN-142
		YA-1906	KN-303C	YFM350X Wolverine 2x4	350	YA-3504	KN-204
XV1900 Stratoliner S	1900	YA-1906	KN-303			YA-3504	KN-204C
		YA-1906	KN-303C	YFM400 Big Bear Hunter IRS	400		KN-142
XVS650 V-Star Classic	650	YA-6598	KN-145	YFM400 Big Bear IRS 4x4	384	YA-4001	KN-142
XVS650 V-Star Custom	650	YA-6598	KN-145	YFM400 Grizzly Auto 4x4	393	YA-3504	KN-204
XVS650 V-Star Midnight Custom	650	YA-6598	KN-145			YA-3504	KN-204C
XVS650 V-Star Silverado	650	YA-6598	KN-145				
XVS1100 V-Star Classic	1100	YA-1199	KN-145	YFM450 Grizzly Auto 4x4	450	YA-3504	KN-204
XVS1100 V-Star Custom	1100	YA-1199	KN-145			YA-3504	KN-204C
XVS1100 V-Star Midnight Custom	1100	YA-1199	KN-145	YFM450 Grizzly Auto 4x4 Hunter	450		KN-204
XVS1100 V-Star Silverado	1100	YA-1199	KN-145				KN-204C
XVS1300 V-Star	1300	YA-1307	KN-147	YFM450FX Wolverine 4x4	450	YA-3504	KN-204
XVS1300 V-Star Tourer	1300	YA-1307	KN-147			YA-3504	KN-204C
XVS1300A Midnight Star	1300	YA-1307	KN-147	YFM660 Grizzly Auto 4x4	660	YA-6602	KN-204
XVZ1300 Royal Star Tour Deluxe	1300	YA-1399	KN-303			YA-6602	KN-204C
		YA-1399	KN-303C	YFM660 Grizzly Auto 4x4 Hunter	660		KN-204
XVZ1300 Royal Star Tour Deluxe S	1300	YA-1399	KN-303				KN-204C
		YA-1399	KN-303C	YFM700F Grizzly Ducks Unlimited Edition	700		KN-204
XVZ1300 Royal Star Venture	1300	YA-1399	KN-303				KN-204C
		YA-1399	KN-303C	YFM700F Grizzly FI Auto 4x4	700	YA-7007	KN-204
XVZ1300 Royal Star Venture S	1300	YA-1399	KN-303			YA-7007	KN-204C
		YA-1399	KN-303C	YFM700F Grizzly FI Auto 4x4 EPS	700	YA-7007	KN-204
YFM50 Raptor	50	YA-8002					KN-204C
YFM80 Grizzly	80	YA-8002					
YFM80 Raptor	80	YA-8002					
YFM125 Grizzly Auto	125	YA-2088					
YFM250 Big Bear	230	YA-4001	KN-143	YFM700F Grizzly Hunter	700		KN-204
YFM250 RSE Raptor SE	250		KN-140				KN-204C
YFM250R Raptor	250	YA-2088	KN-140				
YFM250R Raptor SE	250	YA-2088	KN-141	YFM700F Grizzly SE	700		KN-204
YFM250R Raptor SE Custom	250	YA-2088	KN-140				KN-204C
		YA-2088	KN-141	YFM700R Raptor	700		KN-145
				YFM700R Raptor SE	700		KN-145
YFM350 Grizzly Auto 2x4	346	YA-3504	KN-204	YFZ450	439	YA-4504	KN-140
		YA-3504	KN-204C	YFZ450 RSE Special Edition	450		KN-140
				YFZ450 SE	450	YA-4504	

\*Indicates 2 filters required      ♦ - Intake kit available      Applications updated daily at [knfilters.com](http://knfilters.com) ®

**Partial Listing - Complete List of Vehicles and Applications at [knfilters.com](http://knfilters.com)**

# YAMAHA

# AIR & OIL FILTERS

Vehicle	Engine Type	Air Filter	Oil Filter	Vehicle	Engine Type	Air Filter	Oil Filter
<b>2008 YAMAHA</b>				<b>2007 YAMAHA</b>			
YJ125 Vino	125		KN-143	FZ1	1000	YA-1006	KN-204
YP125R X-Max	125		KN-141			YA-1006	KN-204C
YP400 Majesty	400		KN-132	FZ1 Fazer	1000	YA-1006	KN-204
YXR450 Rhino Auto 4x4	450	YA-6504	KN-204			YA-1006	KN-204C
		YA-6504	KN-204C	FZ6	600	YA-6004	KN-204
		YA-6504	KN-204			YA-6004	KN-204C
YXR450 Rhino Auto 4x4 Special Ed.	450	YA-6504	KN-204	FZ6 Fazer	600	YA-6004	KN-204
		YA-6504	KN-204C			YA-6004	KN-204C
YXR700 Rhino FI Auto 4x4	700	YA-7008	KN-204	FZ6 S2	600	YA-6004	KN-204
		YA-7008	KN-204C			YA-6004	KN-204C
YXR700 Rhino FI Auto 4x4 Sport Edition	700	YA-7008	KN-204	MT01	1700	YA-1605	KN-303
		YA-7008	KN-204C			YA-1605	KN-303C
				MT03	660	YA-6604	KN-145
				PW80	80	YA-8083	
				SR400	400	YA-4092	KN-145
				SXT1100 AR230 H.O. Eng 1	998		KN-303
YZ125	125	YA-2506XD					KN-303C
YZ250	250	YA-2506XD					
YZ250F	250	YA-2506XD	KN-141	SXT1100 AR230 H.O. Eng 2	998		KN-303
YZ450F	450	YA-2506XD	KN-141				
YZF R1	998	YA-1007	KN-204				KN-303C
		YA-1007	KN-204C	SXT1100 SR230 H.O.	998		KN-303
YZF R6	584	YA-6008	KN-204				KN-303C
		YA-6008	KN-204C	SXT1100 SR230 H.O. Eng 2	998		KN-303
YZF R6	584 - Race Specific	YA-6008R	KN-204				
YZF R6S	600	YA-6001	KN-303				KN-303C
		YA-6001	KN-303C				
YZF R125	125		KN-141	SXT1100 SX230 H.O.	998		KN-303
							KN-303C
<b>2007 YAMAHA</b>				SXT1100 SX230 H.O. Eng 2	998		KN-303
CP250 Morphous	250		KN-132				
FJR1300A	1300	YA-1301	KN-148				KN-303C
FJR1300AS	1300	YA-1301	KN-148				
FRT1100 AR210 Eng 1	998		KN-303	T135	135	YA-1306	
			KN-303C	TDM900	900	YA-9002	KN-145
				TDM900A	900	YA-9002	KN-145
FRT1100 AR210 Eng 2	998		KN-303	TTR90E	90	YA-9001	
			KN-303C	TTR125E	125	YA-1201	
				TTR125L	125	YA-1201	
FRT1100 SR210	998		KN-303	TTR125LE	125	YA-1201	
			KN-303C	TTR125LW	125	YA-1201	
FRT1100 SR210 Eng 2	998		KN-303	TTR230	230		KN-143
			KN-303C	TW200	200		KN-143
				VMX1200 V-Max	1200	YA-1285	KN-303
			KN-303C			YA-1285	KN-303C
FRT1100 SX210	998		KN-303	VP125 X-City	125		KN-141
			KN-303C	VX1100 WaveRunner Cruiser	998		KN-303
			KN-303				
FRT1100 SX210 Eng 2	998		KN-303C	VX1100 WaveRunner Deluxe	998		KN-303
FX1000 WaveRunner Cruiser	998		KN-303	VX1100 WaveRunner Sport	998		KN-303
			KN-303C				
FX1000 WaveRunner FX	998		KN-303	VX1100 WaveRunner VX	998		KN-303
			KN-303C				
FX1100 WaveRunner FX Cruiser H.O.	998		KN-303	WR250F	250	YA-4503	KN-141
			KN-303C				

\*Indicates 2 filters required    ♦ - Intake kit available    Applications updated daily at [knfilters.com](http://knfilters.com) ®

# AIR & OIL FILTERS

# YAMAHA

Vehicle	Engine Type	Air Filter	Oil Filter	Vehicle	Engine Type	Air Filter	Oil Filter
<b>2007 YAMAHA</b>				<b>2007 YAMAHA</b>			
WR250R	250	YA-3586	KN-141	XVS1100 V-Star Custom	1100	YA-1199	KN-145
WR250X	250	YA-3586	KN-141	XVS1100 V-Star Midnight Custom	1100	YA-1199	KN-145
WR450F	450	YA-4503	KN-141	XVS1100 V-Star Silverado	1100	YA-1199	KN-145
XC125SR Cygnus X SR	125	YA-1202		XVS1100A DragStar Classic	1100	YA-1199	KN-145
XG250 Tricker	250		KN-141	XVS1300 V-Star	1300	YA-1307	KN-147
XJR400R	400		KN-303	XVS1300 V-Star Tourer	1300	YA-1307	KN-147
			KN-303C	XVS1300A Midnight Star	1300	YA-1307	KN-147
XJR1300	1235		KN-401	XVZ1300 Royal Star Midnight Tour Deluxe	1300	YA-1399	KN-303
XP500 T-Max	500	YA-5001	KN-147			YA-1399	KN-303C
XP500 T-Max Special	500	YA-5001	KN-147	XVZ1300 Royal Star Midnight Venture	1300	YA-1399	KN-303
XT225	225	YA-2292	KN-143			YA-1399	KN-303C
XT660R	660	YA-6604	KN-145	XVZ1300 Royal Star Venture	1300	YA-1399	KN-303
XT660X Super Motard	660	YA-6604	KN-145			YA-1399	KN-303C
XV250 Virago	250		KN-145	XVZ1300 Royal Star Midnight Venture	1300	YA-1399	KN-303
XV1700 Road Star	1700	YA-1704	KN-303			YA-1399	KN-303C
		YA-1704	KN-303C	XVZ1300 Royal Star Tour Deluxe	1300	YA-1399	KN-303
XV1700 Road Star Midnight	1700	YA-1704	KN-303			YA-1399	KN-303C
		YA-1704	KN-303C	XVZ1300 Royal Star Venture	1300	YA-1399	KN-303
XV1700 Road Star Midnight Silverado	1700	YA-1704	KN-303			YA-1399	KN-303C
		YA-1704	KN-303C	YFM50 Raptor	50	YA-8002	
XV1700 Road Star Midnight Warrior	1700	YA-1602	KN-303	YFM80 Grizzly	80	YA-8002	
		YA-1602	KN-303C	YFM80 Raptor	80	YA-8002	
XV1700 Road Star Silverado	1700	YA-1704	KN-303	YFM125 Grizzly	125	YA-2088	
		YA-1704	KN-303C	YFM250 Big Bear	230	YA-4001	KN-143
XV1700 Road Star Warrior	1670	YA-1602	KN-303	YFM350 Grizzly Auto 2x4	346	YA-3504	KN-204
		YA-1602	KN-303C			YA-3504	KN-204C
XV1900 Midnight Star	1900	YA-1906	KN-303	YFM350 Grizzly Auto 4x4	346	YA-3504	KN-204
		YA-1906	KN-303C			YA-3504	KN-204C
XV1900 Roadliner	1900	YA-1906	KN-303	YFM350 Grizzly Auto 4x4 IRS	346	YA-3504	KN-204
		YA-1906	KN-303C			YA-3504	KN-204C
XV1900 Roadliner Midnight	1900	YA-1906	KN-303	YFM350 Grizzly IRS Hunter	350		KN-204
		YA-1906	KN-303C				KN-204C
XV1900 Roadliner S	1900	YA-1906	KN-303	YFM350R Raptor	350		KN-142
		YA-1906	KN-303C	YFM350R Raptor Special Edition	350		KN-142
XV1900 Stratoliner	1900	YA-1906	KN-303	YFM350R Raptor Special Edition 2	350		KN-142
		YA-1906	KN-303C	YFM350X Wolverine 2x4	350	YA-3504	KN-204
XV1900 Stratoliner Midnight	1900	YA-1906	KN-303			YA-3504	KN-204C
		YA-1906	KN-303C	YFM400 Big Bear Hunter IRS	400		KN-142
XVS250 DragStar	250		KN-145	YFM400 Big Bear IRS 4x4	384	YA-4001	KN-142
XVS400 DragStar	400	YA-6598	KN-145	YFM400 Big Bear IRS 4x4 Exploring Ed.	384	YA-4001	KN-142
XVS650 V-Star Classic	650	YA-6598	KN-145	YFM400 Grizzly Auto 4x4	393	YA-3504	KN-204
XVS650 V-Star Custom	650	YA-6598	KN-145			YA-3504	KN-204C
XVS650 V-Star Midnight Custom	650	YA-6598	KN-145	YFM400 Grizzly Auto 4x4 Hunter	400	YA-3504	KN-204
XVS650 V-Star Silverado	650	YA-6598	KN-145				
XVS1100 V-Star Classic	1100	YA-1199	KN-145				

\*Indicates 2 filters required    ♦ - Intake kit available    Applications updated daily at [knfilters.com](http://knfilters.com) ®

**Partial Listing - Complete List of Vehicles and Applications at [knfilters.com](http://knfilters.com)**

# YAMAHA

# AIR & OIL FILTERS

Vehicle	Engine Type	Air Filter	Oil Filter	Vehicle	Engine Type	Air Filter	Oil Filter
<b>2007 YAMAHA</b>				<b>2007 YAMAHA</b>			
YFM400 Grizzly Auto 4x4 Hunter	400	YA-3504	KN-204C	YXR450 Rhino Auto 4x4 Special Ed.	450	YA-6504	KN-204
YFM450 Grizzly Auto 4x4	416	YA-3504	KN-204			YA-6504	KN-204C
		YA-3504	KN-204C	YXR660 Rhino 4x4 Sport Ed.	660	YA-6504	KN-204
YFM450 Grizzly Auto 4x4 Hunter	450	YA-3504	KN-204			YA-6504	KN-204C
		YA-3504	KN-204C	YXR660 Rhino Auto 4x4	660	YA-6504	KN-204
YFM450 Grizzly Auto 4x4 Outdoorsmans Ed.	416	YA-3504	KN-204			YA-6504	KN-204C
		YA-3504	KN-204C	YXR660 Rhino Auto 4x4 Exploring Ed.	660	YA-6504	KN-204
						YA-6504	KN-204C
YFM450FX Wolverine 4x4	450	YA-3504	KN-204	YXR660 Rhino Auto 4x4 Special Ed.	660	YA-6504	KN-204
		YA-3504	KN-204C			YA-6504	KN-204C
YFM450FX Wolverine Sport Special Edition	450		KN-204	YXR660 Rhino Ducks Unlimited Ed.	660	YA-6504	KN-204
			KN-204C			YA-6504	KN-204C
YFM660 Grizzly Auto 4x4	660	YA-6602	KN-204	YZ125	125	YA-2506XD	
		YA-6602	KN-204C	YZ250	250	YA-2506XD	
YFM660 Grizzly Auto 4x4 Hunter	660	YA-6602	KN-204	YZ250F	250	YA-2506XD	KN-141
		YA-6602	KN-204C	YZ450F	450	YA-2506XD	KN-141
				YZF R1	998	YA-1007	KN-204
YFM700F Grizzly Ducks Unlimited Edition	700		KN-204	YZF R6	584	YA-1007	KN-204C
			KN-204C	YZF R6S	600	YA-6006	KN-204
				YZF R6S	600	YA-6001	KN-303
				YZF600R	600	YA-6001	KN-303C
						YA-6096	KN-303
						YA-6096	KN-303C
YFM700F Grizzly FI Auto 4x4	700	YA-7007	KN-204	<b>2006 YAMAHA</b>			
		YA-7007	KN-204C	15PLH	15HP		KN-303
							KN-303C
YFM700F Grizzly Hunter	700		KN-204	BT1100 Bulldog	1100	YA-7585	KN-145
			KN-204C	CP250 Morphous	250		KN-132
				F9.9ELR2	9.9HP		KN-303
							KN-303C
YFM700F Grizzly SE	700		KN-204	F9.9MLH2	9.9HP		KN-303
			KN-204C				KN-303C
YFM700R Raptor	700		KN-145	F9.9MSH2	9.9HP		KN-303
YFM700R Raptor GYTR Edition	700		KN-145				KN-303C
YFM700R Raptor SE	700		KN-145	F15ELH	15HP		KN-303
YFM700R Raptor SE 2	700		KN-145	F15ESH	15HP		KN-303C
YFZ450	439	YA-4504	KN-140	F15MLH	15HP		KN-303C
YFZ450 BB Bill Ballance Edition	450		KN-140				KN-303
YFZ450 RSE Special Edition	450		KN-140	F15MSH	15HP		KN-303C
YFZ450 SE	450	YA-4504					KN-303
YFZ450 SE2 Special Edition 2	450		KN-140	F15PLR	15HP		KN-303C
YJ125 Vino	125		KN-143	F25ELH	25HP		KN-303
YP125R X-Max	125		KN-141	F25ELR	25HP		KN-303C
YP250G Grand Majesty	250		KN-132				KN-303
YP400 Majesty	400		KN-132	F25ESH	25HP		KN-303C
YXR450 Rhino Auto 4x4	450	YA-6504	KN-204	F25ESR	25HP		KN-303
		YA-6504	KN-204C				KN-303C
				F25MLH	25HP		KN-303

\*Indicates 2 filters required

◆ - Intake kit available

Applications updated daily at [knfilters.com](http://knfilters.com) ®



# AIR & OIL FILTERS

# YAMAHA

Vehicle	Engine Type	Air Filter	Oil Filter	Vehicle	Engine Type	Air Filter	Oil Filter
<b>2006 YAMAHA</b>				<b>2006 YAMAHA</b>			
F25MLH	25HP		KN-303C	FX1100 WaveRunner	998		KN-303
F25MSH	25HP		KN-303	Cruiser H.O.			
			KN-303C				KN-303C
F25TLR	25HP		KN-303	FX1100 WaveRunner	998		KN-303
			KN-303C	H.O.			
F30MSH	30HP		KN-303				KN-303C
			KN-303C				
F30TLR	30HP		KN-303	FZ1	1000	YA-1006	KN-204
			KN-303C			YA-1006	KN-204C
F40EJR	40HP		KN-303	FZ1 Fazer	1000	YA-1006	KN-204
			KN-303C			YA-1006	KN-204C
F40MJH	40HP		KN-303	FZ1N	1000	YA-1006	KN-204
			KN-303C			YA-1006	KN-204C
F40MLH	40HP		KN-303	FZ1S	1000	YA-1006	KN-204
			KN-303C			YA-1006	KN-204C
F40TLR	40HP		KN-303	FZ6	600	YA-6004	KN-303
			KN-303C			YA-6004	KN-303C
F50TLR	50HP		KN-204	FZ6 Fazer	600	YA-6004	KN-303
			KN-204C			YA-6004	KN-303C
F60TJR	60HP		KN-204	LF115TXR	115HP		KN-303
			KN-204C				KN-303C
F60TLR	60HP		KN-204	MT01	1700	YA-1605	KN-303
			KN-204C			YA-1605	KN-303C
F75TLR	75HP		KN-303	MT03	660	YA-6604	KN-145
			KN-303C	PW80	80	YA-8083	
F90TJR	90HP		KN-303	SR400	400	YA-4092	KN-145
			KN-303C	SRT1000 AR230	1000		KN-303
F90TLR	90HP		KN-303				KN-303C
			KN-303C	SRT1000 SX230	1000		KN-303
F90TXR	90HP		KN-303				KN-303C
			KN-303C	SRT1100 AR230	998		KN-303
F115TXR	115HP		KN-303	H.O. Eng 1			
			KN-303C				KN-303C
F115TJR	115HP		KN-303	SRT1100 AR230	998		KN-303
			KN-303C	H.O. Eng 2			
F115TLR	115HP		KN-303				KN-303C
			KN-303C	SRT1100 SX230 H.O.	998		KN-303
FJR1300	1300	YA-1301	KN-148				KN-303C
FJR1300A	1300		KN-148				KN-303
FJR1300AS	1300		KN-148	SRT1100 SX230 H.O.	998		KN-303
FRT1100 AR210 Eng	998		KN-303	Eng 2			KN-303C
1			KN-303C				
			KN-303	T9.9ELH2	9.9HP		KN-303
FRT1100 AR210 Eng	998		KN-303				KN-303C
2			KN-303C	T9.9ELR2	9.9HP		KN-303
			KN-303C				KN-303C
FRT1100 SR210	998		KN-303	T9.9EXH2	9.9HP		KN-303
			KN-303C				KN-303C
FRT1100 SR210 Eng	998		KN-303	T25TLR	25HP		KN-303
2			KN-303C				KN-303C
			KN-303C	T50TLR	50HP		KN-204
			KN-303				KN-204C
FRT1100 SX210	998		KN-303C	T60TLR	60HP		KN-204
			KN-303				KN-204C
FRT1100 SX210 Eng	998		KN-303C	T135	135	YA-1306	
2			KN-303	TDM900	900	YA-9002	KN-145
			KN-303C	TDM900A	900		KN-145
			KN-303	TTR90E	90	YA-9001	
FX1000 WaveRunner	998		KN-303	TTR125E	125	YA-1201	
			KN-303C	TTR125L	125	YA-1201	
FX1000 WaveRunner	998		KN-303	TTR125LE	125	YA-1201	
Cruiser			KN-303C	TTR230	230		KN-143
				TTR250	250	YA-3586	KN-142

\*Indicates 2 filters required      ♦ - Intake kit available      Applications updated daily at [knfilters.com](http://knfilters.com) ®

**Partial Listing - Complete List of Vehicles and Applications at [knfilters.com](http://knfilters.com)**

# YAMAHA

# AIR & OIL FILTERS

Vehicle	Engine Type	Air Filter	Oil Filter	Vehicle	Engine Type	Air Filter	Oil Filter
<b>2006 YAMAHA</b>				<b>2006 YAMAHA</b>			
TW200	200		KN-143	XV1900 Roadliner S	1900	YA-1906	KN-303C
VMX1200 V-Max	1200	YA-1285	KN-303	XV1900 Stratoliner	1900	YA-1906	KN-303
		YA-1285	KN-303C			YA-1906	KN-303C
VX1100 WaveRunner Deluxe	998		KN-303	XV1900 Stratoliner Midnight	1900	YA-1906	KN-303
			KN-303C			YA-1906	KN-303C
VX1100 WaveRunner Sport	998		KN-303	XV1900 Stratoliner S	1900	YA-1906	KN-303
			KN-303C			YA-1906	KN-303C
WR250F	250	YA-4503	KN-141	XVS250 DragStar	250		KN-145
WR450F	450	YA-4503	KN-141	XVS400 DragStar	400	YA-6598	KN-145
XC125SR Cygnus X SR	125	YA-1202		XVS650 V-Star Classic	650	YA-6598	KN-145
				XVS650 V-Star Custom	650	YA-6598	KN-145
XG250 Tricker	250		KN-141	XVS650 V-Star Midnight Custom	650	YA-6598	KN-145
XJR400R	400		KN-303	XVS650 V-Star Silverado	650	YA-6598	KN-145
			KN-303C			YA-6598	KN-145
XP500 T-Max	500	YA-5001	KN-147	XVS650A DragStar Classic	650	YA-6598	KN-145
XP500 T-Max Special	500	YA-5001	KN-147	XVS1100 V-Star Classic	1100	YA-1199	KN-145
XT225	225	YA-2292	KN-143	XVS1100 V-Star Custom	1100	YA-1199	KN-145
XT250	250		KN-141	XVS1100 V-Star Midnight Custom	1100	YA-1199	KN-145
XT250X	250		KN-141	XVS1100 V-Star Silverado	1100	YA-1199	KN-145
XT660R	660	YA-6604	KN-145	XVS1100A DragStar Classic	1100	YA-1199	KN-145
XT660X Super Motard	660	YA-6604	KN-145	XVZ1300 Royal Star Midnight Tour Deluxe	1300	YA-1399	KN-303
XV250 Virago	250		KN-145	XVZ1300 Royal Star Midnight Venture	1300	YA-1399	KN-303
XV250S Virago	250		KN-145			YA-1399	KN-303C
XV1700 Road Star	1700	YA-1704	KN-303	XVZ1300 Royal Star Tour Deluxe	1300	YA-1399	KN-303
		YA-1704	KN-303C			YA-1399	KN-303C
XV1700 Road Star Cast Wheels	1700		KN-303C	XVZ1300 Royal Star Venture	1300	YA-1399	KN-303
			KN-303C			YA-1399	KN-303C
XV1700 Road Star Midnight	1700	YA-1704	KN-303	YFM50 Raptor	50	YA-8002	
		YA-1704	KN-303C			YA-8002	
XV1700 Road Star Midnight Silverado	1700	YA-1704	KN-303	YFM80 Grizzly	80	YA-8002	
		YA-1704	KN-303C	YFM80 Raptor	80	YA-8002	
XV1700 Road Star Midnight Warrior	1700	YA-1602	KN-303	YFM125 Grizzly	125	YA-2088	
		YA-1602	KN-303C	YFM250 Bruin	230	YA-4001	KN-143
XV1700 Road Star Silverado	1700		KN-303	YFM350 Bruin Auto 2x4	350	YA-3504	KN-303
			KN-303C			YA-3504	KN-303C
XV1700 Road Star Warrior	1670	YA-1602	KN-303	YFM350 Bruin Auto 4x4	350	YA-3504	KN-303
		YA-1602	KN-303C			YA-3504	KN-303C
XV1900 Midnight Star	1900	YA-1906	KN-303	YFM350 Bruin Auto 4x4 Hunter	350		KN-303
		YA-1906	KN-303C				KN-303C
XV1900 Roadliner	1900	YA-1906	KN-303	YFM350R Raptor	350		KN-142
		YA-1906	KN-303C	YFM350X Wolverine 2x4	350	YA-3504	KN-204
XV1900 Roadliner Midnight	1900	YA-1906	KN-303			YA-3504	KN-204C
		YA-1906	KN-303C				
XV1900 Roadliner S	1900	YA-1906	KN-303	YFM400 Big Bear 4x4	384	YA-4001	KN-142

\*Indicates 2 filters required    ♦ - Intake kit available    Applications updated daily at [knfilters.com](http://knfilters.com) ®

# AIR & OIL FILTERS

# YAMAHA

Vehicle	Engine Type	Air Filter	Oil Filter	Vehicle	Engine Type	Air Filter	Oil Filter
<b>2006 YAMAHA</b>				<b>2005 YAMAHA</b>			
YFM400 Kodiak Auto 4x4	384	YA-3504	KN-303	FX1100 WaveRunner Cruiser H.O.	998		KN-303
		YA-3504	KN-303C				KN-303C
YFM450 Kodiak Auto 4x4	416	YA-3504	KN-303	FX1100 WaveRunner H.O.	998		KN-303
		YA-3504	KN-303C				KN-303C
YFM450FX Wolverine 4x4	450	YA-3504	KN-303	FZ1	1000	YA-1001	KN-303
		YA-3504	KN-303C	FZ6	600	YA-1001	KN-303C
						YA-6004	KN-303
YFM660 Grizzly Auto 4x4	660	YA-6602	KN-303	FZ6 Fazer	600	YA-6004	KN-303C
		YA-6602	KN-303C			YA-6004	KN-303
				FZS1000 Fazer	1000	YA-6004	KN-303C
YFM700R Raptor	700		KN-145			YA-1001	KN-303
YFS200 Blaster	200	YA-2088		MT01	1700	YA-1001	KN-303C
YFZ350 Banshee	350	YA-3502				YA-1605	KN-303
YFZ450	439	YA-4504	KN-141	PW80	80	YA-1605	KN-303C
YJ125 Vino	125		KN-143	SR400	400	YA-8083	KN-303
YP125R X-Max	125		KN-141	SRT1000 AR230 Eng 1	998	YA-4092	KN-145
YP180 Majesty	180	YA-2598					KN-303
YP250G Grand Majesty	250		KN-132				KN-303C
YP400 Majesty	400		KN-132	SRT1000 AR230 Eng 2	998		KN-303
YXR450 Rhino Auto 4x4	450	YA-6504	KN-303				KN-303C
		YA-6504	KN-303C	SRT1000 SR230	998		KN-303
YXR660 Rhino Auto 4x4	660	YA-6504	KN-303	SRT1000 SR230 Eng 2	998		KN-303C
		YA-6504	KN-303C				KN-303
YXR660 Rhino Auto 4x4 Exploring Ed.	660	YA-6504	KN-303	SRT1000 SX230	998		KN-303C
		YA-6504	KN-303C				KN-303
YXR660 Rhino Auto 4x4 Special Ed.	660	YA-6504	KN-303	SRT1000 SX230 Eng 2	998		KN-303C
		YA-6504	KN-303C				KN-303
YZ125	125	YA-2506XD		SRT1100 AR230 H.O. Eng 1	998		KN-303C
YZ250	250	YA-2506XD					KN-303
YZ250F	250	YA-2506XD	KN-141	SRT1100 AR230 H.O. Eng 2	998		KN-303C
YZ450F	450	YA-2506XD	KN-141				KN-303
YZF R1	998	YA-1004	KN-303				KN-303C
		YA-1004	KN-303C	SRT1100 SX230 H.O.	998		KN-303
YZF R1 LE	1000	YA-1004	KN-303				KN-303C
		YA-1004	KN-303C	SRT1100 SX230 H.O. Eng 2	998		KN-303
YZF R1 SP	1000	YA-1004	KN-303				KN-303C
		YA-1004	KN-303C				KN-303
YZF R6	584	YA-6006	KN-204				KN-303C
		YA-6006	KN-204C	TDM900	900	YA-9002	KN-145
YZF R6S	600	YA-6001	KN-303	TDM900A	900		KN-145
		YA-6001	KN-303C	TTR90E	90	YA-9001	
YZF600R	600	YA-6096	KN-303	TTR125E	125	YA-1201	
		YA-6096	KN-303C	TTR125L	125	YA-1201	
				TTR125LE	125	YA-1201	
<b>2005 YAMAHA</b>							
BT1100 Bulldog	1100	YA-7585	KN-145	TTR230	230		KN-143
FJR1300	1300	YA-1301	KN-148	TTR250	250	YA-3586	KN-142
FJR1300A	1300		KN-148	TW200	200		KN-143
FX1000 WaveRunner	998		KN-303	VMX1200 V-Max	1200	YA-1285	KN-303
			KN-303C			YA-1285	KN-303C
FX1000 WaveRunner Cruiser	998		KN-303	VX1100 WaveRunner Deluxe	998		KN-303
			KN-303C				

\*Indicates 2 filters required    ♦ - Intake kit available    Applications updated daily at [knfilters.com](http://knfilters.com) ®

**Partial Listing - Complete List of Vehicles and Applications at [knfilters.com](http://knfilters.com)**

# YAMAHA

# AIR & OIL FILTERS

Vehicle	Engine Type	Air Filter	Oil Filter	Vehicle	Engine Type	Air Filter	Oil Filter
<b>2005 YAMAHA</b>				<b>2005 YAMAHA</b>			
VX1100 WaveRunner Deluxe	998		KN-303C	XVS1100 V-Star Silverado	1100	YA-1199	KN-145
VX1100 WaveRunner Sport	998		KN-303	XVS1100A DragStar Classic	1100	YA-1199	KN-145
			KN-303C	XVZ1300 Royal Star Midnight Venture	1300	YA-1399	KN-303
WR250F	250	YA-4503	KN-141			YA-1399	KN-303C
WR450F	450	YA-4503	KN-141				
XC125SR Cygnus X SR	125	YA-1202		XVZ1300 Royal Star Tour Deluxe	1300	YA-1399	KN-303
XG250 Tricker	250		KN-141			YA-1399	KN-303C
XG250S Tricker S	250		KN-141				
XJR400R	400		KN-303	XVZ1300 Royal Star Venture	1300	YA-1399	KN-303
			KN-303C			YA-1399	KN-303C
XJR1300	1235	YA-1295	KN-401				
XP500 T-Max	500	YA-5001	KN-147	YFM50 Raptor	50	YA-8002	
XT225	225	YA-2292	KN-143	YFM80 Grizzly	80	YA-8002	
XT660R	660	YA-6604	KN-145	YFM80 Raptor	80	YA-8002	
XT660X Super Motard	660	YA-6604	KN-145	YFM125 Grizzly	125	YA-2088	
XV250 Virago	250		KN-145	YFM250 Bruin	230	YA-4001	KN-143
XV250S Virago	250		KN-145	YFM350 Bruin Auto 2x4	350	YA-3504	KN-303
XV1700 Road Star	1700	YA-1704	KN-303			YA-3504	KN-303C
		YA-1704	KN-303C				
XV1700 Road Star Cast Wheels	1700		KN-303	YFM350 Bruin Auto 4x4	350	YA-3504	KN-303
			KN-303C			YA-3504	KN-303C
XV1700 Road Star Midnight	1700	YA-1704	KN-303	YFM350 Bruin Auto 4x4 Hunter	350	YA-3504	KN-303
		YA-1704	KN-303C			YA-3504	KN-303C
XV1700 Road Star Midnight Silverado	1700	YA-1704	KN-303	YFM350FX Wolverine	350	YA-4350	KN-142
				YFM350R Raptor	350		KN-142
		YA-1704	KN-303C	YFM400 Big Bear 4x4	384	YA-4001	KN-142
XV1700 Road Star Midnight Warrior	1700	YA-1602	KN-303	YFM400 Kodiak Auto 4x4	384	YA-3504	KN-303
		YA-1602	KN-303C			YA-3504	KN-303C
XV1700 Road Star Silverado	1700	YA-1704	KN-303	YFM450 Kodiak Auto 4x4	416	YA-3504	KN-303
		YA-1704	KN-303C			YA-3504	KN-303C
XV1700 Road Star Silverado Midnight Edition	1700		KN-303	YFM660 Grizzly Auto 4x4	660	YA-6602	KN-303
			KN-303C			YA-6602	KN-303C
XV1700 Road Star Warrior	1670	YA-1602	KN-303	YFM660R Raptor	660	YA-6601	KN-147
		YA-1602	KN-303C	YFS200 Blaster	200	YA-2088	
XVS250 DragStar	250		KN-145	YFZ350 Banshee	350	YA-3502	
XVS400 DragStar	400	YA-6598	KN-145	YFZ450	439	YA-4504	KN-141
XVS650 V-Star Classic	650	YA-6598	KN-145	YJ125 Vino	125		KN-143
XVS650 V-Star Custom	650	YA-6598	KN-145	YP125 Majesty	125	YA-2598	
XVS650 V-Star Silverado	650	YA-6598	KN-145	YP250G Grand Majesty	250		KN-132
XVS650A DragStar Classic	650	YA-6598	KN-145	YP400 Majesty	400		KN-132
XVS1100 DragStar	1100		KN-145	YXR660 Rhino Auto 4x4	660	YA-6504	KN-303
XVS1100 V-Star Classic	1100	YA-1199	KN-145			YA-6504	KN-303C
XVS1100 V-Star Custom	1100	YA-1199	KN-145	YXR660 Rhino Hardwood Camo	660	YA-6504	KN-303
						YA-6504	KN-303C
				YZ125	125	YA-2506XD	
				YZ250	250	YA-2506XD	
				YZ250F	250	YA-2506XD	KN-141
				YZ450F	450	YA-2506XD	KN-141

\*Indicates 2 filters required    ♦ - Intake kit available    Applications updated daily at [knfilters.com](http://knfilters.com) ®

# AIR & OIL FILTERS

# YAMAHA

Vehicle	Engine Type	Air Filter	Oil Filter	Vehicle	Engine Type	Air Filter	Oil Filter
<b>2005 YAMAHA</b>				<b>2004 YAMAHA</b>			
YZF R1	998	YA-1004	KN-303	WR450F	450	YA-4503	KN-141
		YA-1004	KN-303C	XC125SR Cygnus X SR	125	YA-1202	
YZF R6	584	YA-6001	KN-303	XG250 Tricker	250		KN-141
		YA-6001	KN-303C	XJR400R	400		KN-303
YZF R46	600	YA-6006	KN-303				KN-303C
		YA-6006	KN-303C	XJR1300	1235	YA-1295	KN-401
YZF600R	600	YA-6096	KN-303	XP500 T-Max	500	YA-5001	KN-147
		YA-6096	KN-303C	XT225	225	YA-2292	KN-143
<b>2004 YAMAHA</b>				XT660R	660	YA-6604	KN-145
BT1100 Bulldog	1100	YA-7585	KN-145	XT660X Super Motard	660	YA-6604	KN-145
Cygnus 125	125	YA-1202		XV250 Virago	250		KN-145
FJR1300	1300	YA-1301	KN-148	XV250S Virago	250		KN-145
FJR1300A	1300		KN-148	XV1600 Wild Star	1600	YA-1699	KN-303
FX1100 WaveRunner Cruiser H.O.	998		KN-303			YA-1699	KN-303C
			KN-303C	XV1700 Road Star	1700	YA-1704	KN-303
			KN-303	XV1700 Road Star Midnight	1700	YA-1704	KN-303C
			KN-303C			YA-1704	KN-303C
FX1100 WaveRunner H.O.	998		KN-303	XV1700 Road Star Midnight Silverado	1700	YA-1704	KN-303
			KN-303C			YA-1704	KN-303C
FZ1	1000	YA-1001	KN-303	XV1700 Road Star	1700	YA-1704	KN-303
		YA-1001	KN-303C	Midnight Silverado			
FZ6	600	YA-6004	KN-303			YA-1704	KN-303C
		YA-6004	KN-303C	XV1700 Road Star Silverado	1700	YA-1704	KN-303
FZ6 Fazer	600	YA-6004	KN-303			YA-1704	KN-303C
		YA-6004	KN-303C	XV1700 Road Star Silverado	1700	YA-1704	KN-303
FZS1000 Fazer	1000	YA-1001	KN-303			YA-1704	KN-303C
		YA-1001	KN-303C	XV1700 Road Star Silverado Midnight Edition	1700		KN-303
PW80	80	YA-8083					
SR400	400	YA-4092	KN-145				
SRT1000 AR230 Eng 1	998		KN-303				KN-303C
			KN-303C	XV1700 Road Star Warrior	1670	YA-1602	KN-303
SRT1000 AR230 Eng 2	998		KN-303			YA-1602	KN-303C
			KN-303C	XVS125 DragStar	125		KN-145
SRT1000 SR230	998		KN-303	XVS250 DragStar	250		KN-145
			KN-303C	XVS400 DragStar	400	YA-6598	KN-145
SRT1000 SR230 Eng 2	998		KN-303	XVS650 DragStar	650	YA-6598	KN-145
			KN-303C	XVS650 V-Star Classic	650	YA-6598	KN-145
SRT1000 SX230	998		KN-303	XVS650 V-Star Custom	650	YA-6598	KN-145
			KN-303C	XVS650 V-Star Silverado	650	YA-6598	KN-145
SRT1000 SX230 Eng 2	998		KN-303	XVS650A DragStar Classic	650	YA-6598	KN-145
			KN-303C	XVS1100 DragStar	1100	YA-1199	KN-145
TDM900	900	YA-9002	KN-145	XVS1100 V-Star Classic	1100	YA-1199	KN-145
TT600RE	600		KN-145	XVS1100 V-Star Custom	1100	YA-1199	KN-145
TTR90	90	YA-9001		XVS1100 V-Star Silverado	1100	YA-1199	KN-145
TTR90E	90	YA-9001		XVS1100A DragStar Classic	1100	YA-1199	KN-145
TTR125	125	YA-1201		XVZ1300 Royal Star Midnight Venture	1300	YA-1399	KN-303
TTR125E	125	YA-1201				YA-1399	KN-303C
TTR125L	125	YA-1201					
TTR125LE	125	YA-1201					
TTR225	225	YA-2292	KN-143				
TTR250	250	YA-3586	KN-142				
TW125	125		KN-143				
TW200	200		KN-143	XVZ1300 Royal Star Venture	1300	YA-1399	KN-303
VMX1200 V-Max	1200	YA-1285	KN-303			YA-1399	KN-303C
		YA-1285	KN-303C				
WR250F	250	YA-4503	KN-141	YFA125 Breeze	125	YA-2088	

\*Indicates 2 filters required    ♦ - Intake kit available    Applications updated daily at [knfilters.com](http://knfilters.com) ®

**Partial Listing - Complete List of Vehicles and Applications at [knfilters.com](http://knfilters.com)**

# YAMAHA

# AIR & OIL FILTERS

Vehicle	Engine Type	Air Filter	Oil Filter	Vehicle	Engine Type	Air Filter	Oil Filter
<b>2004 YAMAHA</b>				<b>2004 YAMAHA</b>			
YFM50 Raptor	50	YA-8002		YZF600R	600	YA-6096	KN-303C
YFM80 Raptor	80	YA-8002		<b>2003 YAMAHA</b>			
YFM125 Grizzly	125	YA-2088		BT1100 Bulldog	1100	YA-7585	KN-145
YFM230 Bear Tracker	230		KN-143	Cygnus 125	125	YA-1202	
YFM250 Bear Tracker	250	YA-4001	KN-143	FJR1300	1300	YA-1301	KN-148
YFM350 Bruin Auto 2x4	350	YA-3504	KN-303	FJR1300A	1300		KN-148
		YA-3504	KN-303C	FZ1	1000	YA-1001	KN-303
						YA-1001	KN-303C
YFM350 Bruin Auto 4x4	350	YA-3504	KN-303	FZS600 Fazer	600	YA-6098	KN-147
		YA-3504	KN-303C	FZS1000 Fazer	1000	YA-1001	KN-303
						YA-1001	KN-303C
YFM350FX Wolverine	350	YA-4350	KN-142	PW80	80	YA-8083	
YFM350R Raptor	350		KN-142	RS100	100	YA-0102	
YFM350X Warrior	350	YA-4350	KN-142	SR400	400	YA-4092	KN-145
YFM400 Big Bear	384	YA-4001	KN-142	SRT1000 SR230	998		KN-303
YFM400 Big Bear 4x4	384	YA-4001	KN-142				KN-303C
YFM400 Kodiak Auto 2x4	384	YA-3504	KN-303	SRT1000 SR230 Eng 2	998		KN-303
		YA-3504	KN-303C				KN-303C
				TDM900	900	YA-9002	KN-145
YFM400 Kodiak Auto 4x4	384	YA-3504	KN-303	TT600R	600		KN-145
		YA-3504	KN-303C	TTR90	90	YA-9001	
				TTR125	125	YA-1201	
YFM450 Kodiak Auto 4x4	416	YA-4003	KN-303	TTR125E	125	YA-1201	
		YA-4003	KN-303C	TTR125L	125	YA-1201	
				TTR125LE	125	YA-1201	
YFM660 Grizzly Auto 4x4	660	YA-6602	KN-303	TTR225	225	YA-2292	KN-143
		YA-6602	KN-303C	TTR250	250	YA-3586	KN-142
				TW125	125		KN-143
YFM660 Grizzly Hardwoods Hunter Camo	660		KN-303	TW200	200		KN-143
				TW200 Trailway	200		KN-143
				VMX1200 V-Max	1200	YA-1285	KN-303
			KN-303C			YA-1285	KN-303C
				WR250F	250	YA-4503	KN-141
YFM660R Raptor	660	YA-6601	KN-147	WR450F	450	YA-4503	KN-141
YFM660R Raptor Black LE	660		KN-147	XC125TR Cygnus R	125		KN-143
YFS200 Blaster	200	YA-2088		XJ600 Diversion	600	YA-6092	KN-303
YFZ350 Banshee	350	YA-3502				YA-6092	KN-303C
YFZ450	439	YA-4504	KN-141	XJ600N Diversion	600		KN-303
YJ125 Vino	125		KN-143				KN-303C
YP125 Majesty	125	YA-2598		XJ900S Diversion	900		KN-303
YP250G Grand Majesty	250		KN-132				KN-303C
YP400 Majesty	400		KN-132	XJR400R	400		KN-303
YXR660 Rhino Auto 4x4	660	YA-6504	KN-303				KN-303C
		YA-6504	KN-303C	XJR1300	1235	YA-1295	KN-401
				XP500 T-Max	500	YA-5001	KN-147
YXR660 Rhino Hardwood Camo	660	YA-6504	KN-303	XT225	225	YA-2292	KN-143
		YA-6504	KN-303C	XT600E	600		KN-145
				XV250 Virago	250		KN-145
				XV250S Virago	250		KN-145
				XV1600 Road Star	1600	YA-1699	KN-303
						YA-1699	KN-303C
				XV1600 Road Star Ltd. Edition	1600	YA-1699	KN-303
YZ125	125	YA-2506XD					KN-303C
YZ250	250	YA-2506XD					KN-303C
YZ250F	250	YA-2506XD	KN-141	XV1600 Road Star Midnight	1600	YA-1699	KN-303
YZ450F	450	YA-2506XD	KN-141				KN-303
YZF R1	998	YA-1004	KN-303				KN-303C
		YA-1004	KN-303C				KN-303C
YZF R6	584	YA-6001	KN-303	XV1600 Road Star Silverado	1600	YA-1699	KN-303
		YA-6001	KN-303C				KN-303
YZF600R	600	YA-6096	KN-303			YA-1699	KN-303C

\*Indicates 2 filters required    ♦ - Intake kit available    Applications updated daily at [knfilters.com](http://knfilters.com) ®

# AIR & OIL FILTERS

# YAMAHA

Vehicle	Engine Type	Air Filter	Oil Filter	Vehicle	Engine Type	Air Filter	Oil Filter
<b>2003 YAMAHA</b>				<b>2003 YAMAHA</b>			
XV1600 Road Star Silverado Ltd. Edition	1600	YA-1699	KN-303	YFM660R Raptor	660	YA-6601	KN-147
		YA-1699	KN-303C	YFM660R Raptor Black LE	660		KN-147
XV1600 Wild Star	1600	YA-1699	KN-303	YFS200 Blaster	200	YA-2088	
		YA-1699	KN-303C	YFZ350 Banshee	350	YA-3502	
XV1700 Road Star Warrior	1670	YA-1602	KN-303	YP125 Majesty	125	YA-2598	
		YA-1602	KN-303C	YZ125	125	YA-2506XD	
XVS125 DragStar	125		KN-145	YZ250	250	YA-2506XD	
XVS250 DragStar	250		KN-145	YZ250F	250	YA-2506XD	KN-141
XVS400 DragStar	400	YA-6598	KN-145	YZ450F	450	YA-2506XD	KN-141
XVS650 DragStar	650	YA-6598	KN-145	YZF R1	998	YA-1002	KN-303
XVS650 V-Star Classic	650	YA-6598	KN-145	YZF R6	584	YA-1002	KN-303C
XVS650 V-Star Custom	650	YA-6598	KN-145	YZF600R	600	YA-6001	KN-303
XVS650 V-Star Silverado	650	YA-6598	KN-145	YZF600R Thundercat	600	YA-6096	KN-303
XVS650A DragStar Classic	650	YA-6598	KN-145			YA-6096	KN-303C
XVS1100 DragStar	1100	YA-1199	KN-145	<b>2002 YAMAHA</b>			
XVS1100 V-Star Classic	1100	YA-1199	KN-145	BT1100 Bulldog	1100	YA-7585	KN-145
XVS1100 V-Star Custom	1100	YA-1199	KN-145	Cygnus 125	125	YA-1202	
XVS1100 V-Star Silverado	1100	YA-1199	KN-145	FJR1300	1300	YA-1301	KN-148
XVS1100A DragStar Classic	1100	YA-1199	KN-145	FZ1	1000	YA-1001	KN-303
XVZ1300 Royal Star Midnight Venture	1300	YA-1399	KN-303			YA-1001	KN-303C
		YA-1399	KN-303C	FZS600 Fazer	600	YA-6098	KN-147
XVZ1300 Royal Star Venture	1300	YA-1399	KN-303	FZS1000 Fazer	1000	YA-1001	KN-303
		YA-1399	KN-303C			YA-1001	KN-303C
YFA125 Breeze	125	YA-2088		PW80	80	YA-8083	
YFM80 Raptor	80	YA-8002		RS100	100	YA-0102	
YFM230 Bear Tracker	230		KN-143	SR125	125		KN-143
YFM250 Bear Tracker	230	YA-4001	KN-143	SR400	400	YA-4092	KN-145
YFM350FX Wolverine	350	YA-4350	KN-142	TDM850	850	YA-7585	KN-145
YFM350X Warrior	350	YA-4350	KN-142	TDM900	900	YA-9002	KN-145
YFM400 Big Bear	400	YA-4001	KN-142	TT600R	600		KN-145
YFM400 Kodiak Auto 2x4	393	YA-4003	KN-303	TTR90	90	YA-9001	
		YA-4003	KN-303C	TTR125	125	YA-1201	
YFM400 Kodiak Auto 4x4	393	YA-4003	KN-303	TTR125L	125	YA-1201	
		YA-4003	KN-303C	TTR225	225	YA-2292	KN-143
YFM450 Kodiak Auto 4x4	489	YA-4003	KN-303	TTR250	250	YA-3586	KN-142
		YA-4003	KN-303C	TW125	125		KN-143
YFM660 Grizzly	660	YA-6602	KN-303	TW200	200		KN-143
		YA-6602	KN-303C	TW200 Trailway	200		KN-143
YFM660 Grizzly Limited	660		KN-303	VMX1200 V-Max	1200	YA-1285	KN-303
			KN-303C			YA-1285	KN-303C
YFM660 Grizzly Wetlands Hunter Edition	660		KN-303	WR250F	250	YA-2506XD	KN-142
			KN-303C	WR400F	400	YA-2506XD	KN-142
			KN-303	WR426F	426	YA-2506XD	KN-142
			KN-303C	XC125TR Cygnus R	125		KN-143
			KN-303	XJ600 Diversion	600	YA-6092	KN-303
			KN-303C			YA-6092	KN-303C
			KN-303	XJ600N Diversion	600		KN-303
			KN-303C				KN-303C
			KN-303	XJ900S Diversion	900		KN-303
			KN-303C				KN-303C
			KN-303	XJR400R	400		KN-303
			KN-303C				KN-303C
			KN-303	XJR1300	1235	YA-1295	KN-401
			KN-303C	XP500 T-Max	500	YA-5001	KN-147
			KN-303	XQ125 Maxster	125	YA-2598	
			KN-303C	XQ125 Thunder	125	YA-2598	
			KN-303	XQ150 Maxster	150	YA-2598	
			KN-303C	XQ150 Thunder	150	YA-2598	
			KN-303	XT225	225	YA-2292	KN-143

\*Indicates 2 filters required      ◆ - Intake kit available      Applications updated daily at [knfilters.com](http://knfilters.com) ®

**Partial Listing - Complete List of Vehicles and Applications at [knfilters.com](http://knfilters.com)**

# YAMAHA

# AIR & OIL FILTERS

Vehicle	Engine Type	Air Filter	Oil Filter	Vehicle	Engine Type	Air Filter	Oil Filter
<b>2002 YAMAHA</b>				<b>2002 YAMAHA</b>			
XT600E	600		KN-145	YP150 Skyliner	150	YA-2598	
XV250 Virago	250		KN-145	YZ125	125	YA-2506XD	
XV250S Virago	250		KN-145	YZ250	250	YA-2506XD	
XV535 Virago	535		KN-145	YZ250F	250	YA-2506XD	KN-142
XV1600 Road Star	1600	YA-1699	KN-303	YZ426F	426	YA-2506XD	KN-142
		YA-1699	KN-303C	YZF R1	998	YA-1002	KN-303
XV1600 Road Star Midnight	1600	YA-1699	KN-303			YA-1002	KN-303C
		YA-1699	KN-303C	YZF R6	584	YA-6001	KN-303
						YA-6001	KN-303C
XV1600 Road Star Silverado	1600	YA-1699	KN-303	YZF600R	600	YA-6096	KN-303
		YA-1699	KN-303C			YA-6096	KN-303C
				YZF600R Thundercat	600	YA-6096	KN-303
						YA-6096	KN-303C
XV1600 Wild Star	1600	YA-1699	KN-303	YZF1000R	1000	YA-1089	KN-303
		YA-1699	KN-303C	Thunderace			
XV1700 Road Star Warrior	1670	YA-1602	KN-303			YA-1089	KN-303C
		YA-1602	KN-303C	<b>2001 YAMAHA</b>			
				FJR1300	1300	YA-1301	KN-148
XVS125 DragStar	125		KN-145	FZ1	1000	YA-1001	KN-303
XVS250 DragStar	250		KN-145			YA-1001	KN-303C
XVS400 DragStar	400	YA-6598	KN-145	FZS600 Fazer	600	YA-6098	KN-147
XVS650 DragStar	650	YA-6598	KN-145	FZS1000 Fazer	1000	YA-1001	KN-303
XVS650 V-Star Classic	650	YA-6598	KN-145			YA-1001	KN-303C
XVS650 V-Star Custom	650	YA-6598	KN-145	PW80	80	YA-8083	
XVS650 V-Star Silverado	650	YA-6598	KN-145	SR125	125		KN-143
XVS650A DragStar Classic	650	YA-6598	KN-145	SR400	400	YA-4092	KN-145
XVS1100 DragStar	1100	YA-1199	KN-145	TDM850	850	YA-7585	KN-145
XVS1100 V-Star Classic	1100	YA-1199	KN-145	TT600R	600		KN-145
XVS1100 V-Star Custom	1100	YA-1199	KN-145	TTR90	90	YA-9001	
XVS1100 V-Star Silverado	1100	YA-1199	KN-145	TTR125	125	YA-1201	
XVS1100A DragStar Classic	1100	YA-1199	KN-145	TTR125L	125	YA-1201	
XVZ1300 Royal Star	1300		KN-303	TTR225	225	YA-2292	KN-143
			KN-303C	TTR250	250	YA-3586	KN-142
XVZ1300 Royal Star Midnight Venture	1300	YA-1399	KN-303	TW125	125		KN-143
		YA-1399	KN-303C	TW200	200		KN-143
				TW200 Trailway	200		KN-143
XVZ1300 Royal Star Venture	1300	YA-1399	KN-303	VMX1200 V-Max	1200	YA-1285	KN-303
		YA-1399	KN-303C			YA-1285	KN-303C
				WR250F	250	YA-2506XD	KN-142
YFA125 Breeze	125	YA-2088		WR400F	400	YA-2506XD	KN-142
YFM80 Raptor	80	YA-8002		WR426F	426	YA-2506XD	KN-142
YFM250 Bear Tracker	230	YA-4001	KN-143	XC125TR Cygnus R	125		KN-143
YFM350FX Wolverine	350	YA-4350	KN-142	XJ600 Diversion	600	YA-6092	KN-303
YFM350X Warrior	350	YA-4350	KN-142			YA-6092	KN-303C
YFM400 Big Bear	400	YA-4001	KN-142	XJ600N Diversion	600		KN-303
YFM400 Kodiak Auto 4x4	393	YA-4000	KN-303				KN-303C
		YA-4000	KN-303C	XJ900S Diversion	900	YA-7585	KN-303
						YA-7585	KN-303C
YFM660 Grizzly	660	YA-6602	KN-303	XJR400R	400		KN-303
		YA-6602	KN-303C				KN-303C
YFM660R Raptor	660	YA-6601	KN-147	XJR1200	1200	YA-1295	
YFS200 Blaster	200	YA-2088		XJR1300	1235	YA-1295	KN-401
YFZ350 Banshee	350	YA-3502		XP500 T-Max	500	YA-5001	KN-147
YP125 Majesty	125	YA-2598		XQ125 Maxster	125	YA-2598	
YP150 Majesty	150	YA-2598		XQ125 Thunder	125	YA-2598	
				XQ150 Maxster	150	YA-2598	
				XT225	225	YA-2292	KN-143
				XT350 Dual Sport	350		KN-143
				XT600E	600		KN-145
				XV125S Virago	125		KN-145
				XV250 Virago	250		KN-145
				XV250S Virago	250		KN-145
				XV535 Virago	535		KN-145

\*Indicates 2 filters required

◆ - Intake kit available

Applications updated daily at [knfilters.com](http://knfilters.com) ®



# AIR & OIL FILTERS

# YAMAHA

Vehicle	Engine Type	Air Filter	Oil Filter	Vehicle	Engine Type	Air Filter	Oil Filter
<b>2001 YAMAHA</b>				<b>2001 YAMAHA</b>			
XV1600 Road Star	1600	YA-1699	KN-303	YZF R6	584	YA-6001	KN-303
		YA-1699	KN-303C			YA-6001	KN-303C
XV1600 Road Star Midnight	1600	YA-1699	KN-303	YZF R7	750		KN-303
		YA-1699	KN-303C	YZF600R	600	YA-6096	KN-303
						YA-6096	KN-303C
XV1600 Road Star Silverado	1600	YA-1699	KN-303	YZF600R Thundercat	600	YA-6096	KN-303
		YA-1699	KN-303C			YA-6096	KN-303C
				YZF1000R Thunderace	1000	YA-1089	KN-303
XV1600 Wild Star	1600	YA-1699	KN-303			YA-1089	KN-303C
		YA-1699	KN-303C				
XVS125 DragStar	125		KN-145	<b>2000 YAMAHA</b>			
XVS250 DragStar	250		KN-145	FZ400	394		KN-144
XVS400 DragStar	400	YA-6598	KN-145	FZS600 Fazer	600	YA-6098	KN-147
XVS650 DragStar	650	YA-6598	KN-145	GTS1000	1000		KN-303
XVS650 V-Star Classic	650	YA-6598	KN-145				KN-303C
XVS650 V-Star Custom	650	YA-6598	KN-145	PW80	80	YA-8083	
XVS650A DragStar Classic	650	YA-6598	KN-145	SR125	125		KN-143
XVS1100 DragStar	1100	YA-1199	KN-145	SR400	400	YA-4092	KN-145
XVS1100 V-Star	1100	YA-1199	KN-145	SR500	500		KN-145
Classic				TDM850	850	YA-7585	KN-145
XVS1100 V-Star Custom	1100	YA-1199	KN-145	TRX850	850		KN-145
XVS1100A DragStar Classic	1100	YA-1199	KN-145	TT600E	600		KN-143
XVZ1300 Royal Star	1300		KN-303	TT600R	600		KN-143
			KN-303C	TTR90	90	YA-9001	
XVZ1300 Royal Star Boulevard	1300	YA-1595	KN-303	TTR125	125	YA-1201	
		YA-1595	KN-303C	TTR125L	125	YA-1201	
				TTR225	225	YA-2292	KN-143
XVZ1300 Royal Star Tour Deluxe	1300	YA-1595	KN-303	TTR250	250	YA-3586	KN-142
		YA-1595	KN-303C	TW125	125		KN-143
				TW200 Trailway	200		KN-143
				VMX1200 V-Max	1200	YA-1285	KN-303
		YA-1595	KN-303C	WR400F	400	YA-1285	KN-303C
				XC125TR Cygnus R	125	YA-2506XD	KN-142
XVZ1300 Royal Star Venture	1300	YA-1399	KN-303	XJ600 Diversion	600	YA-6092	KN-303
		YA-1399	KN-303C			YA-6092	KN-303C
				XJ600N Diversion	600		KN-303
YFA125 Breeze	125	YA-2088					KN-303C
YFM250 Bear Tracker	230	YA-4001	KN-143	XJ900S Diversion	900		KN-303
YFM350FX Wolverine	350	YA-4350	KN-142				KN-303C
YFM350X Warrior	350	YA-4350	KN-142	XJR400R	400		KN-303
YFM400 Big Bear	400	YA-4001	KN-142				KN-303C
YFM400 Kodiak Auto 2x4	393	YA-4000	KN-303	XJR1200	1173	YA-1295	
		YA-4000	KN-303C	XJR1300	1235	YA-1295	KN-401
				XT225 Serow	225	YA-2292	KN-143
YFM400 Kodiak Auto 4x4	393	YA-4000	KN-303	XT350 Dual Sport	350		KN-143
		YA-4000	KN-303C	XT600E	600		KN-145
				XV125S Virago	125		KN-145
YFM600 Grizzly	600	YA-4350	KN-145	XV250 Virago	250		KN-145
YFM660R Raptor	660	YA-6601	KN-147	XV250S Virago	250		KN-145
YFS200 Blaster	200	YA-2088		XV535 Virago	535		KN-145
YFZ350 Banshee	350	YA-3502		XV1100 Virago	1100		KN-145
YP125 Majesty	125	YA-2598		XV1600 Road Star	1600	YA-1699	KN-303
YZ80	80	YA-8096				YA-1699	KN-303C
YZ125	125	YA-2506XD		XV1600 Road Star MM	1600	YA-1699	KN-303
YZ250	250	YA-2506XD				YA-1699	KN-303C
YZ250F	250	YA-2506XD	KN-142	XV1600 Road Star Silverado	1600	YA-1699	KN-303
YZ426F	426	YA-2506XD	KN-142			YA-1699	KN-303C
YZF R1	998	YA-1098	KN-303			YA-1699	KN-303C
		YA-1098	KN-303C	XV1600 Wild Star	1600	YA-1699	KN-303

\*Indicates 2 filters required    ♦ - Intake kit available    Applications updated daily at [knfilters.com](http://knfilters.com) ®

**Partial Listing - Complete List of Vehicles and Applications at [knfilters.com](http://knfilters.com)**

# YAMAHA

# AIR & OIL FILTERS

Vehicle	Engine Type	Air Filter	Oil Filter	Vehicle	Engine Type	Air Filter	Oil Filter
<b>2000 YAMAHA</b>				<b>2000 YAMAHA</b>			
XV1600 Wild Star	1600	YA-1699	KN-303C	YZF R7	750		KN-303C
XVS125 DragStar	125		KN-145	YZF600R	600	YA-6096	KN-303
XVS400 DragStar	400	YA-6598	KN-145			YA-6096	KN-303C
XVS650 DragStar	650	YA-6598	KN-145	YZF600R Thundercat	600	YA-6096	KN-303
XVS650 V-Star Classic	650	YA-6598	KN-145			YA-6096	KN-303C
XVS650 V-Star Custom	650	YA-6598	KN-145	YZF1000R Thunderace	1000	YA-1089	KN-303
XVS650A DragStar Classic	650	YA-6598	KN-145			YA-1089	KN-303C
XVS1100 DragStar	1100	YA-1199	KN-145	<b>1999 YAMAHA</b>			
XVS1100 V-Star Classic	1100	YA-1199	KN-145	FZ400	394		KN-144
XVS1100 V-Star Custom	1100	YA-1199	KN-145	FZR600R	600	YA-6089	KN-303
XVS1100A DragStar Classic	1100	YA-1199	KN-145			YA-6089	KN-303C
XVZ1300 Royal Star	1300		KN-303	FZS600 Fazer	600	YA-6098	KN-147
			KN-303C	GTS1000	1000		KN-303
XVZ1300 Royal Star Boulevard	1300	YA-1595	KN-303				KN-303C
		YA-1595	KN-303C	PW80	80	YA-8083	
XVZ1300 Royal Star MM Ltd.	1300	YA-1399	KN-303	SR125SE	125		KN-143
		YA-1399	KN-303C	SR400	400	YA-4092	KN-145
XVZ1300 Royal Star Tour Classic	1300	YA-1595	KN-303	SR500	500		KN-145
		YA-1595	KN-303C	TDM850	850	YA-7585	KN-145
XVZ1300 Royal Star Tour Deluxe	1300	YA-1595	KN-303	TRX850	850	YA-8596	KN-145
		YA-1595	KN-303C	TT600E	600		KN-143
XVZ1300 Royal Star Venture	1300	YA-1399	KN-303	TT600R	600		KN-143
		YA-1399	KN-303C	TW125	125		KN-143
YFA125 Breeze	125	YA-2088		TW200 Trailway	200		KN-143
YFB250 Timberwolf	250	YA-2597	KN-143	VMX1200 V-Max	1200	YA-1285	KN-303
YFM80 Badger	80	YA-8002				YA-1285	KN-303C
YFM250 Bear Tracker	230	YA-4001	KN-143	WR400F	400	YA-2506XD	KN-142
YFM350FX Wolverine	350	YA-4350	KN-142	XC125TR Cygnus R	125		KN-143
YFM350X Warrior	350	YA-4350	KN-142	XC150 Fly One	150		KN-143
YFM400 Big Bear	384	YA-4001	KN-142	XJ600 Diversion	600	YA-6092	KN-303
YFM400 Kodiak Auto 2x4	393	YA-4000	KN-303			YA-6092	KN-303C
		YA-4000	KN-303C	XJ600 Seca II	581	YA-6092	KN-303
YFM400 Kodiak Auto 4x4	393	YA-4000	KN-303			YA-6092	KN-303C
		YA-4000	KN-303C	XJ600N Diversion	600		KN-303
YFM600 Grizzly	600	YA-4350	KN-145				KN-303C
YFS200 Blaster	200	YA-2088		XJ900S Diversion	900		KN-303
YFZ350 Banshee	350	YA-3502					KN-303C
YP125 Majesty	125	YA-2598		XJR400R	400		KN-303
YP150 Majesty	150	YA-2598					KN-303C
YZ80	80	YA-8096		XJR1200	1173	YA-1295	KN-401
YZ125	125	YA-2506XD		XJR1300	1300	YA-1295	KN-401
YZ250	250	YA-2506XD		XT225 Serow	225	YA-2292	KN-143
YZ426F	426	YA-2506XD	KN-142	XT350 Dual Sport	350		KN-143
YZF R1	998	YA-1098	KN-303	XT600E	600	YA-6090	KN-145
		YA-1098	KN-303C	XTZ660 Tenere	660		KN-145
YZF R6	584	YA-6001	KN-303	XV125S Virago	125		KN-145
		YA-6001	KN-303C	XV250 Virago	250		KN-145
YZF R7	750		KN-303	XV250S Virago	250		KN-145
				XV535 Virago	535		KN-145
				XV750 Virago	747		KN-145
				XV1100 Virago	1100	YA-1186	KN-145
				XV1600 Road Star	1600	YA-1699	KN-303
						YA-1699	KN-303C
				XV1600 Road Star Silverado	1600	YA-1699	KN-303
						YA-1699	KN-303C
				XV1600 Wild Star	1600	YA-1699	KN-303
						YA-1699	KN-303C
				XVS400 DragStar	400	YA-6598	KN-145
				XVS650 DragStar	650	YA-6598	KN-145

\*Indicates 2 filters required

◆ - Intake kit available

Applications updated daily at [knfilters.com](http://knfilters.com) ®

# AIR & OIL FILTERS

# YAMAHA

Vehicle	Engine Type	Air Filter	Oil Filter	Vehicle	Engine Type	Air Filter	Oil Filter
<b>1999 YAMAHA</b>				<b>1998 YAMAHA</b>			
XVS650 V-Star Classic	650	YA-6598	KN-145	GTS1000	1000		KN-303 KN-303C
XVS650 V-Star Custom	650	YA-6598	KN-145	PW80	80	YA-8083	
XVS650A DragStar Classic	650	YA-6598	KN-145	SR125SE	125		KN-143
XVS1100 DragStar	1100	YA-1199	KN-145	SR400	400	YA-4092	KN-145
XVS1100 V-Star	1100	YA-1199	KN-145	SR500	500		KN-145
XVS1100 V-Star Classic	1100		KN-145	SZR660	660	YA-0086	KN-145
XVS1100A DragStar Classic	1100	YA-1199	KN-145	TDM850	850	YA-7585	KN-145
XVZ1300 Royal Star	1300		KN-303 KN-303C	TRX850	850	YA-8596	KN-145
			KN-303C	TT600R	600		KN-143
XVZ1300 Royal Star Boulevard	1300	YA-1595	KN-303	TW200 Trailway	200		KN-143
		YA-1595	KN-303C	VMX1200 V-Max	1200	YA-1285	KN-303
		YA-1595	KN-303C			YA-1285	KN-303C
XVZ1300 Royal Star Tour Classic	1300	YA-1595	KN-303	WR400F	400	YA-2506XD	KN-142
		YA-1595	KN-303C	XC125TR Cygnus R	125		KN-143
		YA-1595	KN-303C	XC150 Fly One	150		KN-143
XVZ1300 Royal Star Tour Deluxe	1300	YA-1595	KN-303	XJ600 Diversion	600	YA-6092	KN-303
		YA-1595	KN-303C			YA-6092	KN-303C
		YA-1595	KN-303C	XJ600 Seca II	581	YA-6092	KN-303
XVZ1300 Royal Star Venture	1300	YA-1595	KN-303			YA-6092	KN-303C
		YA-1595	KN-303C	XJ600N Diversion	600		KN-303
		YA-1399	KN-303				KN-303C
		YA-1399	KN-303C	XJ900S Diversion	900		KN-303
YFA125 Breeze	125	YA-2088		XJR400R	400		KN-303C
YFB250 Timberwolf	250	YA-2597	KN-143	XJR1200	1173	YA-1295	KN-401
YFM80 Badger	80	YA-8002		XJR1300	1300	YA-1295	KN-401
YFM250 Bear Tracker	230	YA-4001	KN-143	XT225 Serow	225	YA-2292	KN-143
YFM350FW Big Bear	384	YA-2597	KN-142	XT350 Dual Sport	350		KN-143
YFM350FX Wolverine	350	YA-4350	KN-142	XT600E	600	YA-6090	KN-145
YFM350X Warrior	350	YA-4350	KN-142	XTZ660 Tenere	660	YA-6090	KN-145
YFM400 Big Bear	400		KN-142	XV125S Virago	125		KN-145
YFM400FW Kodiak	393	YA-2597	KN-142	XV250 Virago	250		KN-145
YFM600 Grizzly	600	YA-4350	KN-145	XV250S Virago	250		KN-145
YFS200 Blaster	200	YA-2088		XV535 Virago	535		KN-145
YFZ350 Banshee	350	YA-3502		XV750 Virago	747		KN-145
YM150	150	YA-2598		XV1100 Virago	1100	YA-1186	KN-145
YZ80	80	YA-8096		XVS400 DragStar	400	YA-6598	KN-145
YZ125	125	YA-2506XD		XVS650 DragStar	650	YA-6598	KN-145
YZ250	250	YA-2506XD		XVS650 V-Star Classic	650	YA-6598	KN-145
YZ400F	400	YA-2506XD	KN-142	XVS650 V-Star Custom	650	YA-6598	KN-145
YZF R1	998	YA-1098	KN-303	XVS650A DragStar Classic	650	YA-6598	KN-145
		YA-1098	KN-303C	XVZ1300 Royal Star	1300	YA-1595	KN-303
YZF R6	584	YA-6001	KN-303			YA-1595	KN-303C
		YA-6001	KN-303C	XVZ1300 Royal Star Tour Classic	1300		KN-303
YZF R7	750		KN-303C				KN-303C
YZF600R	600	YA-6096	KN-303	YFA125 Breeze	125	YA-2088	
		YA-6096	KN-303C	YFB250 Timberwolf	250	YA-2597	KN-143
YZF600R Thundercat	600	YA-6096	KN-303	YFM80 Badger	80	YA-8002	
		YA-6096	KN-303C	YFM250 Bear Tracker	230		KN-143
YZF1000R Thunderace	1000	YA-1089	KN-303	YFM350FW Big Bear	346	YA-2597	KN-142
		YA-1089	KN-303C	YFM350FX Wolverine	350	YA-4350	KN-142
				YFM350X Warrior	350	YA-4350	KN-142
				YFM400 Big Bear	400		KN-142
				YFM400FW Kodiak	384	YA-2597	KN-142
				YFM600 Grizzly	600	YA-4350	KN-145
				YFS200 Blaster	200	YA-2088	
				YFZ350 Banshee	350	YA-3502	
				YP125 Majesty	125	YA-2598	
<b>1998 YAMAHA</b>							
FZ400	394		KN-144				
FZR600R	600	YA-6089	KN-303				
		YA-6089	KN-303C				
FZS600 Fazer	600	YA-6098	KN-147				
FZX750	750		KN-401				

\*Indicates 2 filters required    ♦ - Intake kit available    Applications updated daily at [knfilters.com](http://knfilters.com) ®

Partial Listing - Complete List of Vehicles and Applications at [knfilters.com](http://knfilters.com)

# YAMAHA

# AIR & OIL FILTERS

Vehicle	Engine Type	Air Filter	Oil Filter	Vehicle	Engine Type	Air Filter	Oil Filter
<b>1998 YAMAHA</b>				<b>1997 YAMAHA</b>			
YZ80	80	YA-8096		XVZ1300 Royal Star	1300	YA-1595	KN-303
YZ125	125	YA-2506XD				YA-1595	KN-303C
YZ250	250	YA-2506XD		XVZ1300 Royal Star	1300		KN-303
YZ400F	399	YA-2506XD	KN-142	Tour Classic			
YZF R1	998	YA-1098	KN-303				KN-303C
		YA-1098	KN-303C	YFA125 Breeze	125	YA-2088	
YZF600R	600	YA-6096	KN-303	YFB250 Timberwolf	250	YA-2597	KN-143
		YA-6096	KN-303C	YFM80 Badger	80	YA-8002	
YZF600R Thundercat	600	YA-6096	KN-303	YFM250 Bear Tracker	250		KN-143
		YA-6096	KN-303C	YFM350FW Big Bear	346	YA-2597	KN-142
YZF750 SP	750		KN-303	YFM350FX Wolverine	350	YA-4350	KN-142
			KN-303C	YFM350X Warrior	350	YA-4350	KN-142
YZF750R	741	YA-7593	KN-303	YFM400 Big Bear	400		KN-142
		YA-7593	KN-303C	YFM400FW Kodiak	384	YA-2597	KN-142
YZF1000R	1000	YA-1089	KN-303	YFS200 Blaster	200	YA-2088	
Thunderace				YFZ350 Banshee	350	YA-3502	
		YA-1089	KN-303C	YZ80	80	YA-8096	
<b>1997 YAMAHA</b>				YZ125	125	YA-2506XD	
FZ400	394		KN-144	YZ250	250	YA-2506XD	
FZR600R	600	YA-6089	KN-303	YZF600R	600	YA-6096	KN-303
		YA-6089	KN-303C			YA-6096	KN-303C
GTS1000	990		KN-303	YZF600R Thundercat	600	YA-6096	KN-303
			KN-303C			YA-6096	KN-303C
PW80	80	YA-8083		YZF750 SP	750		KN-303
SR125SE	125		KN-143				KN-303C
SR400	400	YA-4092	KN-145	YZF750R	741	YA-7593	KN-303
SR500	500		KN-145			YA-7593	KN-303C
SZR660	660	YA-0086	KN-145	YZF1000R	1000	YA-1089	KN-303
TDM850	850	YA-7585	KN-145			YA-1089	KN-303C
TRX850	850	YA-8596	KN-145	YZF1000R	1000	YA-1089	KN-303
TT600	600		KN-143	Thunderace			
TT600R	600		KN-143			YA-1089	KN-303C
TW200 Trailway	200		KN-143	<b>1996 YAMAHA</b>			
VMX1200 V-Max	1200	YA-1285	KN-303	FZR600R	600	YA-6089	KN-303
		YA-1285	KN-303C			YA-6089	KN-303C
XC125TR Cygnus R	125		KN-143	GTS1000	990		KN-303
XJ600 Diversion	600	YA-6092	KN-303				KN-303C
		YA-6092	KN-303C	SR125SE	125		KN-143
XJ600 Seca II	581	YA-6092	KN-303	SR250	250		KN-145
		YA-6092	KN-303C	SR400	400	YA-4092	KN-145
XJ600N Diversion	600		KN-303	SR500	500		KN-145
			KN-303C	SZR660	660	YA-0086	KN-145
XJ900S Diversion	903		KN-303	TDM850	850	YA-7585	KN-145
			KN-303C	TRX850	850	YA-8596	KN-145
XJR400	400		KN-303	TW200 Trailway	200		KN-143
			KN-303C	VMX1200 V-Max	1200	YA-1285	KN-303
XJR1200	1173	YA-1295	KN-401			YA-1285	KN-303C
XJR1300	1300	YA-1295		XC125TR Cygnus R	125		KN-143
XT225 Serow	225	YA-2292	KN-143	XJ600 Diversion	600	YA-6092	KN-303
XT350 Dual Sport	350		KN-143			YA-6092	KN-303C
XT600E	600	YA-6090	KN-145	XJ600 Seca II	581	YA-6092	KN-303
XTZ660 Tenere	660	YA-6090	KN-145			YA-6092	KN-303C
XTZ750 Super Tenere	754	YA-0075*	KN-145	XJ900S Diversion	903		KN-303
							KN-303C
XV125S Virago	125		KN-145	XJR400	400		KN-303
XV250 Route 66	250		KN-145				KN-303C
XV250 Virago	250		KN-145	XJR1200	1173	YA-1295	KN-401
XV250S Virago	250		KN-145	XJR1300	1300	YA-1295	
XV535 Virago	535		KN-145	XT125	125		KN-143
XV750 Virago	747	YA-1186	KN-145	XT225 Serow	225	YA-2292	KN-143
XV1100 Virago	1100	YA-1186	KN-145	XT350 Dual Sport	350		KN-143
XVS400 DragStar	400	YA-6598	KN-145	XT600E	600	YA-6090	KN-145
XVS650 DragStar	650	YA-6598	KN-145				

\*Indicates 2 filters required

◆ - Intake kit available

Applications updated daily at [knfilters.com](http://knfilters.com) ®

# AIR & OIL FILTERS

# YAMAHA

Vehicle	Engine Type	Air Filter	Oil Filter	Vehicle	Engine Type	Air Filter	Oil Filter
<b>1996 YAMAHA</b>				<b>1995 YAMAHA</b>			
XTZ660 Tenere	660	YA-6090	KN-145	XJR1300	1300	YA-1295	
XTZ750 Super Tenere	754	YA-0075*	KN-145	XS600	600		KN-303
XV250 Virago	250		KN-145	XT125	125		KN-303C
XV250S Virago	250		KN-145	XT225 Serow	225	YA-2292	KN-143
XV535 Virago	535		KN-145	XT350 Dual Sport	350		KN-143
XV750 Virago	747	YA-1186	KN-145	XT600	600		KN-145
XV1100 Virago	1100	YA-1186	KN-145	XT600E	600	YA-6090	KN-145
XVS400 DragStar	400	YA-6598	KN-145	XTZ660 Tenere	660	YA-6090	KN-145
XVS650 DragStar	650	YA-6598	KN-145	XTZ750 Super Tenere	754	YA-0075*	KN-145
XVZ1300 Royal Star	1300	YA-1595	KN-303	XV250	250		KN-145
		YA-1595	KN-303C	XV250 Route 66	250		KN-145
YFA125 Breeze	125	YA-2088		XV250 Virago	250		KN-145
YFB250 Timberwolf	250	YA-2597	KN-143	XV250S Virago	250		KN-145
YFM80 Badger	80	YA-8002		XV535 Virago	535		KN-145
YFM350	350		KN-142	XV750 Virago	747	YA-1186	KN-145
YFM350FW Big Bear	346	YA-2597	KN-142	XV1100 Virago	1100	YA-1186	KN-145
YFM350FX Wolverine	350	YA-4350	KN-142	YFA125 Breeze	125	YA-2088	
YFM350X Warrior	350	YA-4350	KN-142	YFB250 Timberwolf	250	YA-2597	KN-143
YFM400 Big Bear	400		KN-142	YFM80 Badger	80	YA-8002	
YFM400FW Kodiak	384	YA-2597	KN-142	YFM250 Bear Tracker	250		KN-143
YFS200 Blaster	200	YA-2088		YFM350 Moto-4	346	YA-2597	KN-142
YFZ350 Banshee	350	YA-3502		YFM350FW Big Bear	346	YA-2597	KN-142
YZ80	80	YA-8096		YFM350FX Wolverine	350	YA-4350	KN-142
YZF600R	600	YA-6094	KN-303	YFM350X Warrior	350	YA-4350	KN-142
		YA-6094	KN-303C	YFM400 Big Bear	400		KN-142
YZF600R Thundercat	600	YA-6096	KN-303	YFM400FW Kodiak	384	YA-2597	KN-142
		YA-6096	KN-303C	YFS200 Blaster	200	YA-2088	
YZF750 SP	750		KN-303	YFZ350 Banshee	350	YA-3502	
			KN-303C	YZ80	80	YA-8096	
YZF750R	741	YA-7593	KN-303	YZF600R	600	YA-6094	KN-303
		YA-7593	KN-303C			YA-6094	KN-303C
YZF1000R Thunderace	1000	YA-1089	KN-303	YZF600R Thundercat	600		KN-303
		YA-1089	KN-303C				KN-303C
				YZF750 SP	750		KN-303
							KN-303C
				YZF750R	741	YA-7593	KN-303
						YA-7593	KN-303C
<b>1995 YAMAHA</b>				<b>1994 YAMAHA</b>			
FJ1200	1173		KN-401	FJ1200	1173		KN-401
FZR600R	600		KN-303	FZ750 Genesis	750		KN-401
			KN-303C	FZR250	246		KN-303
FZR600R	600 - Non-US	YA-6094	KN-303				KN-303C
FZR600R	600 - US	YA-6089	KN-303	FZR400RR EXUP	400		KN-303
FZR1000	990	YA-1089	KN-303				KN-303C
		YA-1089	KN-303C	FZR600R	600		KN-303
GTS1000	990		KN-303				KN-303C
			KN-303C	FZR600R	600 - Non-US	YA-6094	KN-303
PW80	80	YA-8083		FZR600R	600 - US	YA-6089	KN-303
SR125SE	125		KN-143	FZR1000	990	YA-1089	KN-303
SR250	236		KN-145			YA-1089	KN-303C
SR400	400	YA-4092	KN-145	GTS1000	990		KN-303
SR500	500		KN-145				KN-303C
TDM850	850	YA-7585	KN-145	PW80	80	YA-8083	
TW200 Trailway	200		KN-143	SR125SE	125		KN-143
VMX1200 V-Max	1200	YA-1285	KN-146	SR400	400	YA-4092	KN-145
XC125TR Cygnus R	125		KN-143	SR500	500		KN-145
XJ600 Diversion	600	YA-6092	KN-303	SRX600	608		KN-145
		YA-6092	KN-303C	TDM850	850	YA-7585	KN-145
XJ600 Seca II	581	YA-6092	KN-303	TW200	200		KN-143
		YA-6092	KN-303C	TW200 Trailway	200		KN-143
XJ900S Diversion	903		KN-303	VMX1200 V-Max	1200	YA-1285	KN-146
			KN-303C				
XJR400	400		KN-303				
			KN-303C				
XJR1200	1173	YA-1295	KN-401				

\*Indicates 2 filters required    ♦ - Intake kit available    Applications updated daily at [knfilters.com](http://knfilters.com) ®

**Partial Listing - Complete List of Vehicles and Applications at [knfilters.com](http://knfilters.com)**

# YAMAHA

# AIR & OIL FILTERS

Vehicle	Engine Type	Air Filter	Oil Filter	Vehicle	Engine Type	Air Filter	Oil Filter
<b>1994 YAMAHA</b>				<b>1993 YAMAHA</b>			
XJ600 Diversion	600	YA-6092	KN-303	TW200	200		KN-143
		YA-6092	KN-303C	TW200 Trailway	200		KN-143
XJ600 Seca II	600	YA-6092	KN-303	VMX1200 V-Max	1200	YA-1285	KN-146
		YA-6092	KN-303C	XJ600	600	YA-1684	KN-144
XJ900S Diversion	903		KN-303	XJ600 Diversion	600	YA-6092	KN-303
			KN-303C			YA-6092	KN-303C
XJR400	394		KN-303	XJ600 Seca II	600	YA-6092	KN-303
			KN-303C			YA-6092	KN-303C
XT125	125		KN-143	XJ900F	903	YA-9083	KN-144
XT225 Serow	225	YA-2292	KN-143	XJR400	394		KN-303
XT350 Dual Sport	350		KN-143				KN-303C
XT600	600		KN-145	XT125	125		KN-143
XT600E	600	YA-6090	KN-145	XT225 Serow	225	YA-2292	KN-143
XTZ660 Tenere	660	YA-6090	KN-145	XT350 Dual Sport	350		KN-143
XTZ750 Super Tenere	754	YA-0075*	KN-145	XT600	600		KN-145
			KN-145	XT600E	600	YA-6090	KN-145
XV250	250		KN-145	XTZ660 Tenere	660	YA-6090	KN-145
XV535 Virago	535		KN-145	XTZ750 Super Tenere	754	YA-0075*	KN-145
XV750 Virago	747	YA-1186	KN-145				
XV1100 Virago	1100	YA-1186	KN-145	XV250	250		KN-145
YFA125 Breeze	125	YA-2088		XV535 Virago	535		KN-145
YFB250 Timberwolf	250	YA-2597	KN-143	XV750 Virago	747	YA-1186	KN-145
YFM80 Badger	80	YA-8002		XV1100 Virago	1100	YA-1186	KN-145
YFM250 Bear Tracker	250		KN-143	XVZ1300 Venture Royale	1300	YA-1283	KN-146
YFM350 Moto-4	346	YA-2597	KN-142	YFB250 Timberwolf	250	YA-2597	KN-143
YFM350FW Big Bear	346	YA-2597	KN-142	YFM250 Bear Tracker	250		KN-143
YFM350FX Wolverine	350	YA-4350	KN-142	YFM350 Moto-4	346	YA-2597	KN-142
YFM350X Warrior	350	YA-4350	KN-142	YFM350FW Big Bear	346	YA-2597	KN-142
YFM400 Big Bear	400		KN-142	YFM350X Warrior	350	YA-4350	KN-142
YFM400FW Kodiak	384	YA-2597	KN-142	YFM400 Big Bear	400		KN-142
YFS200 Blaster	200	YA-2088		YFM400FW Kodiak	384	YA-2597	KN-142
YFZ350 Banshee	350	YA-3502		YFS200 Blaster	200	YA-2088	
YZ80	80	YA-8096		YFZ350 Banshee	350	YA-3502	
YZF600R	600	YA-6094	KN-303	YZ80	80	YA-8096	
		YA-6094	KN-303C	YZF750 SP	750		KN-303
YZF750 SP	750		KN-303				KN-303C
			KN-303C	YZF750R	741		KN-303
YZF750R	741	YA-7593	KN-303				KN-303C
		YA-7593	KN-303C	<b>1992 YAMAHA</b>			
<b>1993 YAMAHA</b>				AG200	194		KN-143
FJ600	600	YA-1684	KN-144	FJ600	600	YA-1684	KN-144
FJ1200	1173	YA-1184	KN-401	FJ1200	1173	YA-1184	KN-401
FJ1200 - Legend Car	1200		KN-401	FJ1200 - Legend Car	1200		KN-401
FZ750 Genesis	750		KN-401	FZ750 Genesis	750		KN-401
FZR250	246		KN-303	FZR250	250		KN-303
			KN-303C				KN-303C
FZR400RR EXUP	400		KN-303	FZR400RR EXUP	400		KN-303
			KN-303C				KN-303C
FZR600	600	YA-6089	KN-303	FZR600	600	YA-6089	KN-303
		YA-6089	KN-303C			YA-6089	KN-303C
FZR600R	600	YA-6089	KN-303	FZR600R	600	YA-6089	KN-303
		YA-6089	KN-303C			YA-6089	KN-303C
FZR1000	990	YA-1089	KN-303	FZR750R	750		KN-401
		YA-1089	KN-303C	FZR750R - OWO1	750		KN-303
GTS1000	990		KN-303				KN-303C
			KN-303C	FZR1000	990	YA-1089	KN-303
PW80	80	YA-8083				YA-1089	KN-303C
SR125SE	125		KN-143	PW80	80	YA-8083	
SR250	236		KN-145	SR125SE	125		KN-143
SR400	400	YA-4092	KN-145	SR250	236		KN-145
SR500	500		KN-145	SR400	400	YA-4092	KN-145
SRX600	608		KN-145	SR500	500		KN-145
TDM850	850	YA-7585	KN-145	SRX600	608		KN-145

\*Indicates 2 filters required

◆ - Intake kit available

Applications updated daily at [knfilters.com](http://knfilters.com) ®

# AIR & OIL FILTERS

# YAMAHA

Vehicle	Engine Type	Air Filter	Oil Filter	Vehicle	Engine Type	Air Filter	Oil Filter
<b>1992 YAMAHA</b>				<b>1991 YAMAHA</b>			
TDM850	850	YA-7585	KN-145	TDM850	850		KN-145
TT350	350		KN-143	TT350	350		KN-143
TT600	600		KN-145	TT600	600		KN-145
TW200	200		KN-143	TW200	200		KN-143
TW200 Trailway	200		KN-143	TW200 Trailway	200		KN-143
VMX1200 V-Max	1200	YA-1285	KN-146	VMX1200 V-Max	1200	YA-1285	KN-146
XJ600	600	YA-1684	KN-144	XC200	203		KN-145
		YA-1684	KN-303	XJ600	600		KN-144
		YA-1684	KN-303C			YA-1684	KN-303
XJ600 Diversion	600	YA-6092	KN-303			YA-1684	KN-303C
		YA-6092	KN-303C	XJ900F	903	YA-9083	KN-144
XJ600 Seca II	600	YA-6092	KN-303	XT125	124		KN-143
		YA-6092	KN-303C	XT250	247		KN-145
XJ900F	903	YA-9083	KN-144	XT350 Dual Sport	350		KN-143
XT125	125		KN-143	XT600	600		KN-145
XT225 Serow	225	YA-2292	KN-143	XT600E	600	YA-6090	KN-145
XT250	247		KN-145	XT600Z Tenere	600		KN-145
XT350 Dual Sport	350		KN-143	XTZ660 Tenere	660		KN-145
XT600	600		KN-145	XTZ750 Super	754	YA-0075*	KN-145
XT600E	600	YA-6090	KN-145	Tenere			
XTZ660 Tenere	660		KN-145	XV250	250		KN-145
XTZ750 Super	754	YA-0075*	KN-145	XV535 Virago	535		KN-145
Tenere				XV750 Virago	747	YA-1186	KN-145
XV250	250		KN-145	XV1100 Virago	1100	YA-1186	KN-145
XV535 Virago	535		KN-145	XVZ1300 Venture	1300	YA-1283	KN-146
XV750 Virago	747	YA-1186	KN-145	Royale			
XV1100 Virago	1100	YA-1186	KN-145	YFA125 Breeze	125	YA-2088	
XVZ1300 Venture	1300	YA-1283	KN-146	YFM250 Moto-4	250	YA-2597	KN-143
Royale				YFM350 Moto-4	346	YA-2597	KN-142
YFB250 Timberwolf	250	YA-2597	KN-143	YFM350FW Big Bear	346	YA-2597	KN-142
YFM80 Badger	80	YA-8002		YFM350X Warrior	350	YA-4350	KN-142
YFM250 Bear Tracker	250		KN-143	YFS200 Blaster	200	YA-2088	
YFM250 Moto-4	250		KN-143	YFZ350 Banshee	350	YA-3502	
YFM350 Moto-4	346	YA-2597	KN-142	YZ125	125	YA-2506XD	
YFM350FW Big Bear	346	YA-2597	KN-142	YZ250	250	YA-2506XD	
YFM350X Warrior	350	YA-4350	KN-142	<b>1990 YAMAHA</b>			
YFS200 Blaster	200	YA-2088		AG200	194		KN-143
YFZ350 Banshee	350	YA-3502		FJ600	600	YA-1684	KN-144
YZ125	125	YA-2506XD		FJ1200	1173	YA-1184	KN-401
YZ250	250	YA-2506XD		FJ1200 - Legend Car	1200		KN-401
<b>1991 YAMAHA</b>				FZ750 Genesis	741		KN-401
AG200	194		KN-143	FZR250	250 - EXUP, MK1,		KN-145
FJ600	600	YA-1684	KN-144	MK2			
FJ1200	1173	YA-1184	KN-401	FZR400	394	YA-4085	KN-144
FJ1200 - Legend Car	1200		KN-401	FZR400RR EXUP	400		KN-303
FZ750 Genesis	750		KN-401				KN-303C
FZR250	250		KN-303	FZR600	600	YA-6089	KN-144
			KN-303C	FZR600R	600	YA-6089	KN-144
FZR400RR EXUP	400		KN-303	FZR750R	750		KN-401
			KN-303C	FZR750R - OWO1	750		KN-303
FZR600	600	YA-6089	KN-303				KN-303C
		YA-6089	KN-303C	FZR1000	990	YA-1089	KN-401
FZR600R	600	YA-6089	KN-303	FZX750 Fazer	750		KN-401
		YA-6089	KN-303C	PW80	80	YA-8083	
FZR750R	750		KN-401	SR125SE	125		KN-143
FZR750R - OWO1	750		KN-303	SR250	250		KN-145
			KN-303C	SR500	500		KN-145
FZR1000	990	YA-1089	KN-303	SRX600	608		KN-145
		YA-1089	KN-303C	TT350	343		KN-143
PW80	80	YA-8083		TT600	595		KN-145
SR125SE	125		KN-143	TW200	200		KN-143
SR250	250		KN-145	TW200 Trailway	200		KN-143
SR500	500		KN-145	VMX1200 V-Max	1200	YA-1285	KN-146
SRX600	608		KN-145	XC200Z Riva Z	200		KN-145

\*Indicates 2 filters required

◆ - Intake kit available

Applications updated daily at [knfilters.com](http://knfilters.com) ®

**Partial Listing - Complete List of Vehicles and Applications at [knfilters.com](http://knfilters.com)**

# YAMAHA

# AIR & OIL FILTERS

Vehicle	Engine Type	Air Filter	Oil Filter	Vehicle	Engine Type	Air Filter	Oil Filter
<b>1990 YAMAHA</b>				<b>1989 YAMAHA</b>			
XJ600	600	YA-1684	KN-144	YFM200DX Moto-4	200		KN-143
XJ900F	900		KN-144	YFM200N Moto-4	200		KN-143
XT125	124		KN-143	YFM225 Moto-4	225		KN-143
XT250	247		KN-145	YFM250 Moto-4	250	YA-2597	KN-143
XT350 Dual Sport	350		KN-143	YFM350 Moto-4	350	YA-2597	KN-142
XT600E	600	YA-6090	KN-145	YFM350FW Big Bear	350	YA-2597	KN-142
XT600Z Tenere	600		KN-145	YFM350X Warrior	350	YA-4350	KN-142
XTZ750 Super Tenere	754	YA-0075*	KN-145	YFS200 Blaster	200	YA-2088	
XV250	250		KN-145	YFZ350 Banshee	350	YA-3502	
XV250 Route 66	250		KN-145	YX600 Radian	600	YA-1600	KN-144
XV535 Virago	535		KN-145	<b>1988 YAMAHA</b>			
XV750 Virago	747	YA-1186	KN-145	BW200ES Big Wheel	200		KN-143
XV1100 Virago	1100	YA-1186	KN-145	BW350 Big Wheel	350		KN-145
XVZ1300 Venture Royale	1300	YA-1283	KN-146	FJ1200	1200	YA-1184	KN-401
YFM225 Moto-4	225		KN-143	FJ1200 - Legend Car	1200		KN-401
YFM250 Moto-4	195	YA-2597	KN-143	FZ600	600	YA-1686	KN-144
YFM350 Moto-4	346	YA-2597	KN-142	FZ750	750	YA-7585	KN-401
YFM350FW Big Bear	346	YA-2597	KN-142	FZ750 Genesis	750		KN-401
YFM350X Warrior	350	YA-4350	KN-142	FZR400	400	YA-4085	KN-144
YFS200 Blaster	200	YA-2088		FZR400 Genesis	400		KN-144
YFZ350 Banshee	350	YA-3502		FZR400R	400 - EXUP, MK1, MK2		KN-144
YX600 Radian	592	YA-1600	KN-144	FZR750	750	YA-7585	KN-401
<b>1989 YAMAHA</b>				FZR750 Genesis	750		KN-401
FJ1200	1200	YA-1184	KN-401	FZR750R	750	YA-7585	KN-401
FJ1200 - Legend Car	1200		KN-401	FZR750R - OWO1	750		KN-401
FZ600	600		KN-144	FZR1000	1000	YA-7585	KN-401
FZ750 Genesis	750		KN-401	FZX750 Fazer	750		KN-401
FZR250	250 - EXUP, MK1, MK2		KN-145	SR125SE	125		KN-143
FZR250 Genesis	250		KN-145	SR250	250		KN-145
FZR400	400	YA-4085	KN-144	SR500	500		KN-145
FZR400R	400 - EXUP, MK1, MK2		KN-144	SRX600	600		KN-145
FZR600	600	YA-6089	KN-144	TT350	350		KN-143
FZR750R	750		KN-401	TT600	600	YA-6003	KN-145
FZR1000	1000	YA-1089	KN-401	TW200	200		KN-143
FZX750 Fazer	750		KN-401	TW200 Trailway	200		KN-143
SR125SE	125		KN-143	VMX1200 V-Max	1200	YA-1285	KN-146
SR250	250		KN-145	XC200Z Riva Z	200		KN-145
SR500	500		KN-145	XJ600	600		KN-144
SRX600	600		KN-145	XJ900F	900		KN-144
TT350	350		KN-143	XT125	125		KN-143
TT600	600	YA-6003	KN-145	XT250	250		KN-145
TW200	200		KN-143	XT350 Dual Sport	350		KN-143
TW200 Trailway	200		KN-143	XT600	600	YA-6084	KN-145
VMX1200 V-Max	1200	YA-1285	KN-146	XT600Z Tenere	600		KN-145
XC200Z Riva Z	200		KN-145	XV250 Route 66	250		KN-145
XJ600	600		KN-144	XV535 Virago	535		KN-145
XJ900F	900		KN-144	XV750 Virago	750	YA-1186	KN-145
XT125	125		KN-143	XV1000 SE	1000		KN-145
XT250	250		KN-145	XV1100 Virago	1100	YA-1186	KN-145
XT350 Dual Sport	350		KN-143	XVZ1300 Venture Royale	1300	YA-1283	KN-146
XT600	600	YA-6084	KN-145	YFM80 Badger	80	YA-8002	
XT600Z Tenere	600		KN-145	YFM200DX Moto-4	200		KN-143
XTZ750 Super Tenere	754	YA-0075*	KN-145	YFM200N Moto-4	200		KN-143
XV250	250		KN-145	YFM225 Moto-4	225		KN-143
XV250 Route 66	250		KN-145	YFM350 Moto-4	350	YA-2597	KN-142
XV535 Virago	535		KN-145	YFM350FW Big Bear	350	YA-2597	KN-142
XV750 Virago	750	YA-1186	KN-145	YFM350X Warrior	350	YA-4350	KN-142
XV1100 Virago	1100	YA-1186	KN-145	YFP350 Terrapro	350	YA-2597	KN-142
XVZ1300 Venture Royale	1300	YA-1283	KN-146	YFS200 Blaster	200	YA-2088	
				YFZ350 Banshee	350	YA-3502	
				YX600 Radian	600	YA-1600	KN-144

\*Indicates 2 filters required

◆ - Intake kit available

Applications updated daily at [knfilters.com](http://knfilters.com) ®



# AIR & OIL FILTERS

# YAMAHA

Vehicle	Engine Type	Air Filter	Oil Filter	Vehicle	Engine Type	Air Filter	Oil Filter
<b>1987 YAMAHA</b>				<b>1986 YAMAHA</b>			
BW200ES Big Wheel	200		KN-143	SR250	250		KN-145
BW350 Big Wheel	350		KN-145	SR500	500		KN-145
FJ1200	1200	YA-1184	KN-401	SRX600	600	YA-6050	KN-145
FJ1200 - Legend Car	1200		KN-401	TT225	225	YA-2292	KN-143
FZ600	600	YA-1686	KN-144	TT350	350	YA-3586	KN-143
FZ700 Genesis	700	YA-7585	KN-144	TT600	600	YA-6003	KN-145
FZ750	750		KN-401	VMX1200 V-Max	1200	YA-1285	KN-146
FZ750 Genesis	750		KN-401	XJ600	600	YA-1684	KN-144
FZR400R	400		KN-144	XJ700 Maxim	700	YA-7080	KN-144
FZR750	750	YA-7585	KN-401	XJ700X Maxim X	700	YA-7080	KN-144
FZR750 Genesis	750		KN-401	XJ750X Maxim X	750	YA-7080	KN-144
FZR750R	750	YA-7585	KN-401	XJ900F	900		KN-144
FZR750R - OWO1	750		KN-401	XT125	125		KN-143
FZR1000	1000	YA-7585	KN-401	XT250	250		KN-145
FZX700 Fazer	700	YA-7086	KN-144	XT350 Dual Sport	350		KN-143
FZX750 Fazer	750		KN-401	XT600	600	YA-6084	KN-145
PW80	80	YA-8083		XT600 Tenere	600		KN-145
SR125SE	125		KN-143	XV700 Virago	700	YA-1186	KN-145
SR250	250		KN-145	XV920 Virago	920	YA-1550	KN-145
SR500	500		KN-145	XV1100 Virago	1100	YA-1186	KN-145
SRX250	250		KN-143	XVZ1200 Venture	1200		KN-146
SRX600	600		KN-145	Royale			
TT225	225	YA-2292	KN-143	XVZ1300 Venture	1300	YA-1283	KN-146
TT350	350	YA-3586	KN-143	Royale			
TT600	600	YA-6003	KN-145	YFM80 Badger	80	YA-8002	
TW200	200		KN-143	YFM200DX Moto-4	200		KN-143
TW200 Trailway	200		KN-143	YFM200N Moto-4	200		KN-143
VMX1200 V-Max	1200	YA-1285	KN-146	YFM225 Moto-4	225		KN-143
XC200Z Riva Z	200		KN-145	YFM350FW Big Bear	350	YA-2597	KN-142
XJ600	600		KN-144	YTM225 Tri-Moto	225		KN-143
XJ900F	900		KN-144	YTZ250 Tri-Moto	250	YA-3250	
XT125	125		KN-143	YTZ250 Tri-Z	250	YA-3250	
XT250	250		KN-145	YX600 Radian	600	YA-1600	KN-144
XT350 Dual Sport	350		KN-143	<b>1985 YAMAHA</b>			
XT600	600	YA-6084	KN-145	BW200 Big Wheel	200		KN-143
XT600 Tenere	600		KN-145	FJ600	600	YA-1684	KN-144
XV535 Virago	535		KN-145	FJ1100	1100	YA-1184	KN-401
XV700 Virago	700	YA-1186	KN-145	FZ750	750	YA-7585	KN-401
XV1100 Virago	1100	YA-1186	KN-145	PW80	80	YA-8083	
XVZ1300 Venture	1300	YA-1283	KN-146	SR125SE	125		KN-143
Royale				SR250	250		KN-145
YFM80 Badger	80	YA-8002		SR500	500		KN-145
YFM200DX Moto-4	200		KN-143	TT600	600	YA-6003	KN-145
YFM200N Moto-4	200		KN-143	VMX1200 V-Max	1200	YA-1285	KN-146
YFM225 Moto-4	225		KN-143	XJ550	550		KN-144
YFM350 Moto-4	350	YA-2597	KN-142	XJ600	600	YA-1684	KN-144
YFM350FW Big Bear	350	YA-2597	KN-142	XJ650 Seca Turbo	650		KN-144
YFM350X Warrior	350	YA-4350	KN-142	XJ700 Maxim	700	YA-7080	KN-144
YFZ350 Banshee	350	YA-3502		XJ700X Maxim X	700	YA-7080	KN-144
YX600 Radian	600	YA-1600	KN-144	XJ750X Maxim X	750	YA-7080	KN-144
<b>1986 YAMAHA</b>				XJ900F	900		KN-144
BW200 Big Wheel	200		KN-143	XT125	125		KN-143
BW200ES Big Wheel	200		KN-143	XT250	250		KN-145
FJ600	600	YA-1684	KN-144	XT350 Dual Sport	350		KN-143
FJ1100	1100		KN-401	XT500	500		KN-145
FJ1200	1200	YA-1184	KN-401	XT600	600	YA-6084	KN-145
FJ1200 - Legend Car	1200		KN-401	XT600 Tenere	600		KN-145
FZ600	600	YA-1686	KN-144	XV700 Virago	700	YA-1186	KN-145
FZ700 Genesis	700	YA-7585	KN-144	XV920 Virago	920	YA-1550	KN-145
FZ750	750	YA-7585	KN-401	XV1000 Virago	1000	YA-1186	KN-145
FZX700 Fazer	700	YA-7086	KN-144	XVZ1200 Venture	1200	YA-1283	KN-146
FZX750 Fazer	750		KN-401	Royale			
PW80	80	YA-8083		YFM80 Badger	80	YA-8002	
				YFM200N Moto-4	200		KN-143

\*Indicates 2 filters required

◆ - Intake kit available

Applications updated daily at [knfilters.com](http://knfilters.com) ®

**Partial Listing - Complete List of Vehicles and Applications at [knfilters.com](http://knfilters.com)**

# YAMAHA

# AIR & OIL FILTERS

Vehicle	Engine Type	Air Filter	Oil Filter	Vehicle	Engine Type	Air Filter	Oil Filter
<b>1985 YAMAHA</b>				<b>1983 YAMAHA</b>			
YTM200 Tri-Moto	200		KN-143	XV750M Midnight	750	YA-1550	KN-145
YTM225 Tri-Moto	225		KN-143	Virago			
YTZ250 Tri-Moto	250	YA-3250		XV920 Virago	920	YA-1550	KN-145
YTZ250 Tri-Z	250	YA-3250		XV920M Midnight	920	YA-1550	KN-145
<b>1984 YAMAHA</b>				<b>1982 YAMAHA</b>			
FJ600	600	YA-1684	KN-144	SR125SE	125		KN-143
FJ1100	1100	YA-1184	KN-401	SR250SE	250		KN-145
SR125SE	125		KN-143	SR500	500		KN-145
SR250SE	250		KN-145	TT250	250		KN-145
SR500	500		KN-145	XJ400	400	YA-1600	KN-144
TT600	600	YA-6003	KN-145	XJ550 Maxim	550	YA-1600	KN-144
XC180	180		KN-145	XJ550 Seca	550	YA-1600	KN-144
XJ550	550		KN-144	XJ650 Maxim	650	YA-1650	KN-144
XJ600	600	YA-1684	KN-144	XJ650 Seca	650	YA-1650	KN-144
XJ650 Maxim	650		KN-144	XJ650 Seca Turbo	650		KN-144
XJ650 Seca Turbo	650		KN-144	XJ750	750		KN-144
XJ750	750		KN-144	XJ750 Maxim	750	YA-1650	KN-144
XJ900F	900		KN-144	XJ750R Seca	750	YA-1650	KN-144
XJR900R Seca	900	YA-9083	KN-144	XJ900RK Seca	900		KN-144
XS1100	1100		KN-146	XJ1100 Maxim	1100		KN-146
XT125	125		KN-143	XS250	250		KN-144
XT250	250		KN-143	XS400	400		KN-144
XT400	400 - 4v		KN-145	XS650 Heritage	650	YA-1892	
XT600	600	YA-6084	KN-145	XS1100	1100	YA-1400	KN-146
XT600 Tenere	600		KN-145	XT125	125		KN-143
XV700 Virago	700	YA-1186	KN-145	XT200	200		KN-143
XV920 Virago	920	YA-1550	KN-145	XT250	250		KN-145
XV1000 Virago	1000	YA-1186	KN-145	XT400	400		KN-145
XVZ1200 Venture	1200	YA-1283	KN-146	XT500	500		KN-145
Royale				XT550	550	YA-1874	KN-145
YTM200 Tri-Moto	200		KN-143	XV535	535		KN-145
YTM225 Tri-Moto	225		KN-143	XV750 Virago	750	YA-1550	KN-145
<b>1983 YAMAHA</b>				<b>1981 YAMAHA</b>			
SR250SE	250		KN-145	MX175	175	YA-1078	
SR500	500		KN-145	SR185	185		KN-143
TT600	600	YA-6003	KN-145	SR250SE	250		KN-145
XC180	180		KN-145	SR500	500	YA-1050	KN-145
XJ550 Maxim	550	YA-1600	KN-144	TT250	250		KN-145
XJ550 Seca	550	YA-1600	KN-144	TT500	500	YA-1100	KN-145
XJ650 Maxim	650	YA-1650	KN-144	XJ400	400	YA-1600	
XJ650 Seca	650		KN-144	XJ550 Maxim	550	YA-1600	KN-144
XJ650 Seca Turbo	650		KN-144	XJ550 Seca	550	YA-1600	KN-144
XJ750	750		KN-144	XJ650 Maxim	650	YA-1650	KN-144
XJ750 Maxim	750	YA-1650	KN-144	XJ650 Midnight	650	YA-1650	KN-144
XJ750M Midnight	750	YA-1650	KN-144	Special			
Maxim				XJ750	750		KN-144
XJ750R Seca	750	YA-1650	KN-144	XJ750R Seca	750	YA-1650	KN-144
XJ900R Seca	900	YA-9083	KN-144	XS250	250		KN-144
XJ900RK Seca	900	YA-9083	KN-144	XS400	400		KN-144
XS400	400		KN-144	XS650	650	YA-1892	
XS650 Heritage	650	YA-1892		XS850	850	YA-1300	KN-146
XS1100	1100	YA-1400	KN-146	XS850L	850	YA-1300	KN-146
XT125	125		KN-143	XS850S	850	YA-1300	KN-146
XT200	200		KN-143				
XT250	250		KN-145				
XT250T	250		KN-143				
XT400	400 - 4v		KN-145				
XT500	500		KN-145				
XT550	550	YA-1874	KN-145				
XT600 Tenere	600		KN-145				
XV500 Virago	500		KN-145				
XV750 Virago	750	YA-1550	KN-145				

\*Indicates 2 filters required

◆ - Intake kit available

Applications updated daily at [knfilters.com](http://knfilters.com) ®

# AIR & OIL FILTERS

# YAMAHA

Vehicle	Engine Type	Air Filter	Oil Filter
<b>1981 YAMAHA</b>			
XS1100	1100	YA-1400	KN-146
XT250	250		KN-145
XT400	400		KN-145
XT500	500		KN-145
XV750 Virago	750	YA-1550	KN-145
XV920 Virago	920	YA-1550	KN-145
XV1000 Virago	1000		KN-145
YZ80	80	R-1390	

<b>1980 YAMAHA</b>			
MX175	175	YA-1078	
SR125SE	125		KN-143
SR250SE	250		KN-145
SR500	500	YA-1050	KN-145
TT250	250		KN-145
TT500	500	YA-1100	KN-145
XJ650 Maxim	650	YA-1650	KN-144
XS250	250		KN-144
XS400	400		KN-144
XS650	650	YA-1892	
XS750	750		KN-146
XS850	850	YA-1300	KN-146
XS850L	850	YA-1300	KN-146
XS850S	850	YA-1300	KN-146
XS1100	1100	YA-1400	KN-146
XT250	250		KN-145
XT500	500		KN-145

<b>1979 YAMAHA</b>			
DT125	125	YA-1078	
DT175	175	YA-1078	
MX175	175	YA-1078	
SR500	500	YA-1050	KN-145
TT500	500	YA-1100	KN-145
XS250	250		KN-144
XS400	400		KN-144
XS650	650	YA-1152	
XS750	750	YA-1300	KN-146
XS1100	1100	YA-1400	KN-146
XT500	500		KN-145

<b>1978 YAMAHA</b>			
DT125	125	YA-1078	
DT175	175	YA-1078	
SR500	500	YA-1050	KN-145
TT500	500	YA-1100	KN-145
XS250	250		KN-144
XS400	400		KN-144
XS650	650	YA-1152	
XS750	750	YA-1300	KN-146
XS1100	1100	YA-1400	KN-146
XT500	500		KN-145

<b>1977 YAMAHA</b>			
DT250	250 - 77.5 yr. model only	YA-4074	
DT400	400 - 77.5 yr. model only	YA-4074	
TT500	500	YA-1100	KN-145
XS400	400		KN-144
XS650	650	YA-1152	
XS750	750		KN-146
XT500	500		KN-145

<b>1976 YAMAHA</b>			
DT250	250	YA-4074	
DT400	400	YA-4074	

Vehicle	Engine Type	Air Filter	Oil Filter
<b>1976 YAMAHA</b>			
TT500	500		KN-145
XS650	650	YA-1152	
XS750	750		KN-146
XT500	500		KN-145

<b>1975 YAMAHA</b>			
DT250	250	YA-4074	
DT400	400	YA-4074	
RD250	250	YA-0700	
RD350	350	YA-0700	

<b>1974 YAMAHA</b>			
DT250	250	YA-4074	
DT360	360	YA-4074	
DT400	400	YA-4074	
RD250	250	YA-0700	
RD350	350	YA-0700	

<b>1973 YAMAHA</b>			
RD250	250	YA-0700	
RD350	350	YA-0700	

<b>1972 YAMAHA</b>			
R5	350	YA-0700	

<b>1971 YAMAHA</b>			
R5	350	YA-0700	

<b>1991 YUGO</b>			
Cabrio	1.3L L4 F/I		HP-1002
GV	1.3L L4 F/I		HP-1002

<b>1990 YUGO</b>			
Cabrio	1.3L L4 F/I		HP-1002
GV	1.3L L4 F/I		HP-1002

<b>1989 YUGO</b>			
GV	1.1L L4 CARB	E-2570	HP-1002
GVL	1.1L L4 CARB	E-2570	HP-1002
GVX	1.3L L4 CARB	E-2570	HP-1002

<b>1988 YUGO</b>			
GV	1.1L L4 CARB	E-2570	HP-1002
GVL	1.1L L4 CARB	E-2570	HP-1002
GVS	1.1L L4 CARB	E-2570	HP-1002
GVX	1.3L L4 CARB	E-2570	HP-1002

<b>1987 YUGO</b>			
GV	1.1L L4 CARB	E-2570	HP-1002

<b>1986 YUGO</b>			
GV	1.1L L4 CARB	E-2570	HP-1002

\*Indicates 2 filters required    ♦ - Intake kit available    Applications updated daily at [knfilters.com](http://knfilters.com) ®

Partial Listing - Complete List of Vehicles and Applications at [knfilters.com](http://knfilters.com)

# CLEANING INSTRUCTIONS

## K&N AIR FILTER CLEANING INSTRUCTIONS

Most K&N Air Filters will normally require cleaning every 50,000 miles. Servicing your K&N Air Filter is simple; just follow the four easy steps below.

### STEP 1: APPLY CLEANER

Liberally spray K&N Air Filter Cleaner or K&N Power Kleen™ onto both sides of filter and allow to soak for 10 minutes to loosen the dirt. Do not allow cleaner to dry on air filter.



### STEP 2: RINSE FILTER

Rinse off air filter with cool low-pressure water from the clean side out in order to flush the dirt out of the filter. Continue to rinse the filter until all traces of cleaner are gone. It may be necessary to repeat steps 1 and 2.



### STEP 3: DRY FILTER

After rinsing, gently shake off excess water and **allow filter to dry naturally**. Do not oil until the filter is dry.

### STEP 4: OIL FILTER

**SQUEEZE OIL (99-5050):** Apply K&N Air Filter Oil evenly along the crown of each filter pleat. Allow oil to wick for approximately 20 minutes. Touch up any light areas on either side of the filter until there is a uniform red color on all areas.



**AEROSOL OIL (99-5000):** Spray K&N Air Filter Oil evenly along the crown of each filter pleat holding nozzle about 3" away. Allow oil to wick for approximately 20 minutes. Touch up any light areas on either side of the filter until there is a uniform red color on all areas.



*The above process is the only approved procedure for maintaining your K&N Air Filter.*

*Visit [knfilters.com](http://knfilters.com) for additional information on cleaning and re-oiling your filter and examples of a dirty filter needing to be serviced.*

**RECHARGER® FILTER CARE SERVICE KIT**

**AEROSOL**

Designed to clean any K&N Air Filter. It Restores air flow efficiency so your air filter performs virtually like new! Includes 6 1/2 oz. spray oil and 12 oz. filter cleaner. **Part# 99-5000**

**SQUEEZE OIL**

Same as 99-5000 except has squeeze oil bottle instead of spray can. Includes 8 oz. squeeze oil and 12 oz. filter cleaner. **Part# 99-5050**



99-0621

**POWER KLEEN™**

K&N Power Kleen™ is a high-performance cleaner and degreaser used to remove road grime, engine exhaust and grease from cotton air filters. It is now formulated to clean those troublesome and demanding cleaning jobs. This cleaner is specially formulated to remove oil, lubricants, grease, grime, and other deposits from most surfaces including cotton air filters, painted surfaces, chrome, plastic and more!

**K&N CLEANER & DEGREASER**

K&N Air Filter Cleaner is the only brand of cleaner recommended to clean K&N Air Filter elements. K&N Air Filter Cleaner works to dissolve dirt build up and old filter oil and can be washed away with water. It is environmentally friendly and safe on paint, chrome, cast aluminum, plastic, rubber and vinyl when used as directed. It is available in four convenient sizes and includes complete instructions on each bottle.

Note: Do not use on polished or anodized aluminum.



99-0606

**DESCRIPTION**

- 12 fl. oz. spray bottle
- 32 fl. oz. Power Kleen spray bottle
- 1 gal. Power Kleen bottle
- 5 gal. pail

**PART#**

- 99-0606
- 99-0621
- 99-0635
- 99-0640



99-0533

99-0504

**K&N AIR FILTER OIL**

K&N Air Filter Oil is the only oil specially formulated to work in combination with the cotton fabric in K&N Air Filter elements providing outstanding air filtration. When used as directed, it quickly penetrates the filter pleats, where it remains suspended in the cotton fabric until the element is cleaned with K&N Air Filter Cleaner.



99-11312

**DESCRIPTION**

- 6 1/2 oz. aerosol can
- 12 oz. aerosol can
- 8 oz. squeeze bottle
- 1/2 oz. pillow pack
- 1 gal. refill bottle
- 5 gal. pail

**PART#**

- 99-0504
- 99-0516
- 99-0533
- 99-11312
- 99-0551
- 99-0555





## ***K&N Air Filters - From NASCAR® to YOUR CAR***

Now you can use the same air filter technology used in NASCAR to improve the performance of your car. K&N's High-Flow Air Filters are specially designed to reduce airflow restriction and improve horsepower by using layers of cotton instead of paper media. Cotton breathes easier and is washable. One K&N High-Flow Replacement Air Filter can last for the life of your car and only needs to be cleaned every 50,000 miles under normal driving conditions. Better performance and longer life from K&N - The #1 Performance Air Filter of NASCAR.

Proud Sponsor of



***K&N Engineering, Inc.***



Phone: 1-800-858-3333    1455 Citrus Street    P.O. Box 1329  
 Fax: 951-826-4001    Riverside, CA 92507    Riverside, CA 92502-1329

***knfilters.com***

# ***2011*** COMPLETE PRODUCT CATALOG